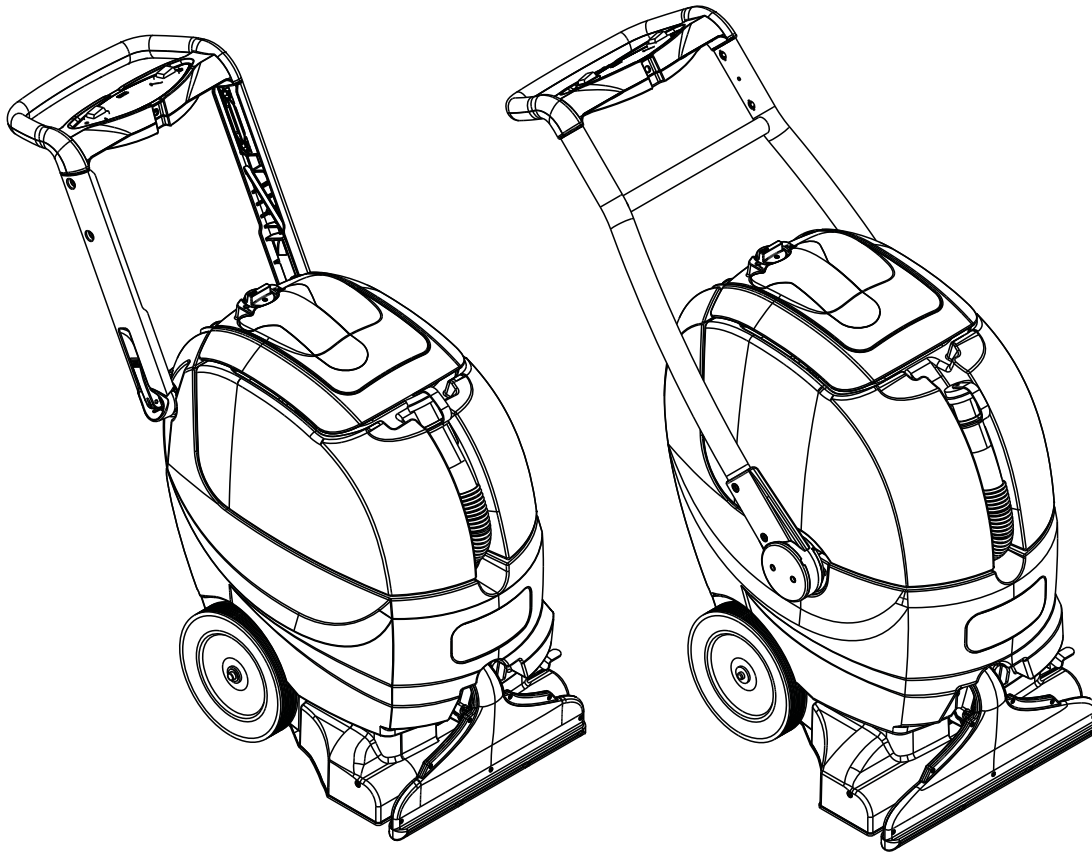


---

# Clarke<sup>®</sup>

## EX40 16ST, EX40 18LX



### Parts List

Models: 56265504 (EX40 16ST), 56265505 (EX40 18LX)



## TABLE OF CONTENTS

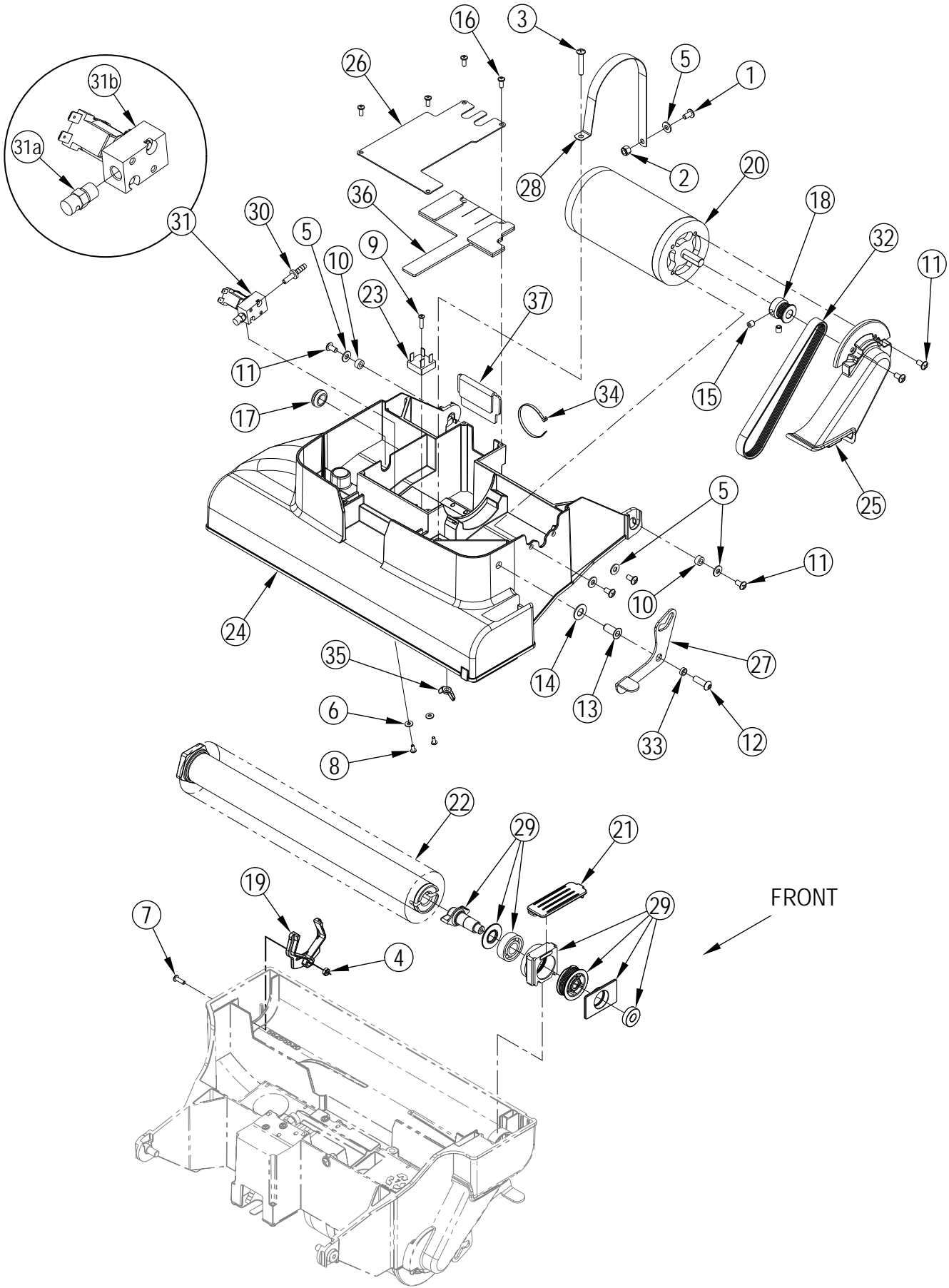
DESCRIPTION	PAGE
Base System .....	2-3
Brush System .....	4-5
Decal System .....	6-7
Handle System 16ST .....	8-9
Handle System 18LX .....	10-11
Recovery System .....	12-13
Solution System 16ST-1 .....	14-15
Solution System 16ST-2 .....	16-17
Solution System 18LX-1 .....	18-19
Solution System 18LX-2 .....	20-21
Ladder Diagrams .....	22-25
Options & Accessories .....	26
Brush Selector Guide .....	27

## WHEN ORDERING PARTS

- \* Use the part numbers from the "Ref. No." columns in this parts list.
- \* Specify the model and serial number of the machine.
- \* Use the space below to record the model and serial number for future reference.

Model \_\_\_\_\_ Serial No. \_\_\_\_\_

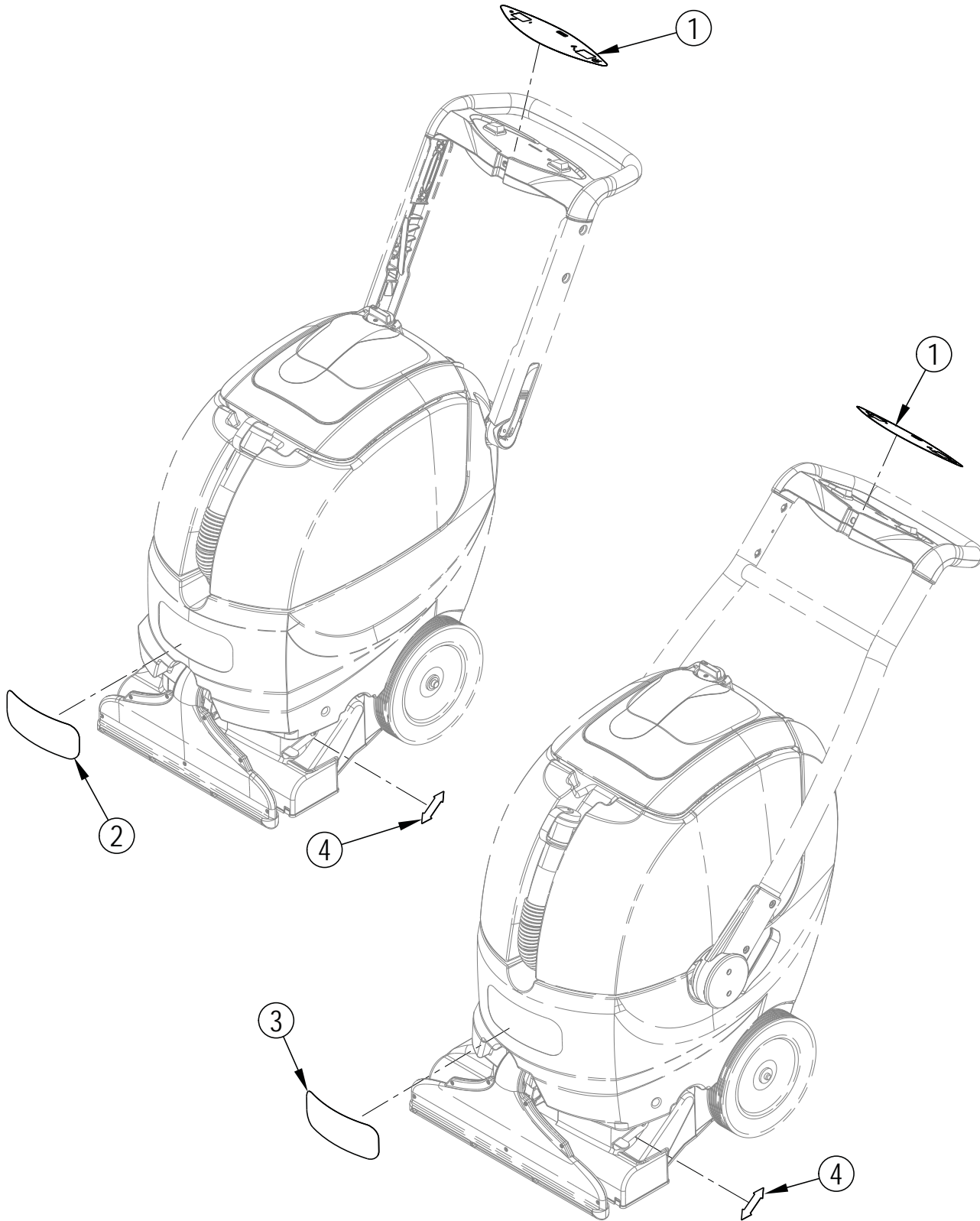
BASE SYSTEM



## BASE SYSTEM

Item	Ref. No.	Qty	Description
1	56002145	1	Scr-Pan Phil 1/4-20 X .50
2	56002491	1	Nut-Hex Nyl Loc Ss 1/4-20
3	56002905	1	Scr-Pan Phil Ss 1/4-20 X 1.50
4	56002849	1	Nut, Hex Nyl Loc-Thin Ss 10-24
5	56002859	5	Wsh-Flt Sae Ss 1/4
6	56002875	2	Wsh-Flt Sae Ss #8
7	56002896	1	Scr-Pan Phil Ss 10-24 X .62
8	56003018	2	Scr-Pan Phil Ss 8-32 X .38
9	56003545	1	Scr, Pan Phil Plastite 8-10 X .75
10	56265782	2	Bushing-.26x.50x .25 Long
11	56003897	6	Scr-Pan Phil Loc Ss 1/4-20 X .50
12	56003963	1	Scr-Botton Soc Ss 5/16-18x1.00
13	56003985	1	Rivet-Nut 5/16-18 Steel Zinc P
14	56009037	1	Wsh, Int Shprf 7/16
15	56009131	2	Scr, Soc Set Loc 5/16-18 X .31
16	56009191	4	Scr, Pan Phil Plastite 10-14 X .50
17	56157376	1	Grommet
18	56262558	1	Sheave.Poly-V
19	56265043	1	Clip, Brush Retainer
20	56265075	1	Motor, 115 Vdc, 1/3 Hp M3
21	56265091	1	Cover, Pulley
22	56265044	1	Brush Assembly 16
	56265046	1	Brush, 16
	56265099	1	Brush Assembly 18
	56265065	1	Brush, 18
23	56265103	1	Rectifier, .35 Amp D1
24	56265620	1	Base Extractor 16 (16ST)
	56265520	1	Base-Extractor 18 (18LX)
25	56265629	1	Cover-Belt
26	56265657	1	Cover-Electrical
27	56265663	1	Lever-Brush Storage
28	56265676	1	Strap-Motor
29	56265690	1	Bearing-Spindle Kit
		1	Bearing, Ball
		1	Washer,Bearing
		1	Bearing,Block
		1	Spindle,Drive
		1	Bearing Block-Drive
		1	Sheave-Poly-V-6j17
		1	Ring Ball .6693 Cv25d 1
30	56265692	1	Adapter-.25 Stem-.25 Barb
31	56265746	1	Valve/Nozzle Assy-120v-Restore L1
31a	56265052	1	Nozzle Spray
31b	56265561	1	Valve-Solenoid-230v
32	56315321	1	Belt, Auto Tension
33	56381818	1	Bushing .32x.44x.15
34	56478246	1	Tie, Cable
35	56009111	1	Nut, Wing Ss 1/4-20
36	56265790	1	Gasket-Base-Elec Compartment
37	56265788	1	Gasket-Base-Rear

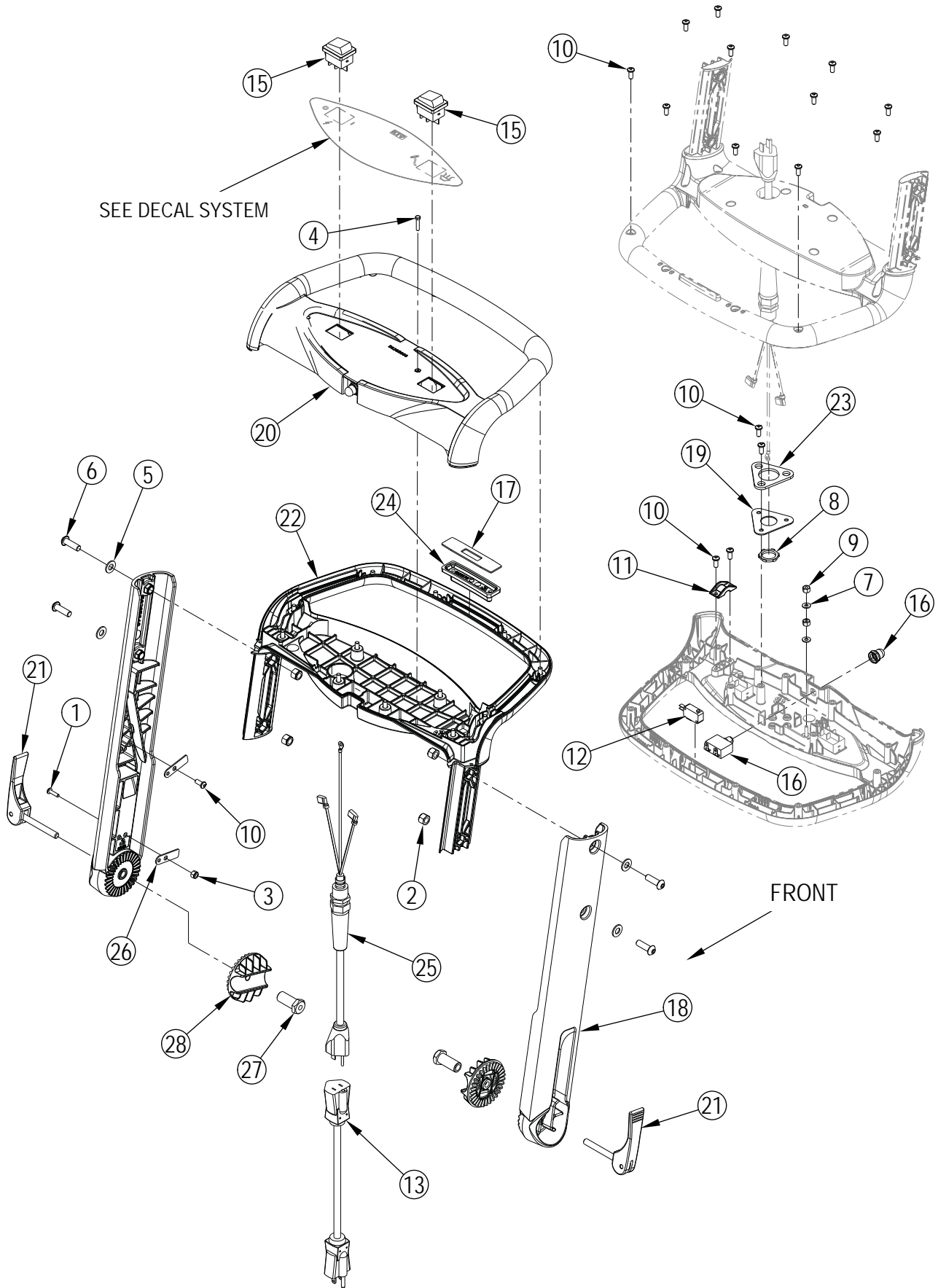
# DECAL SYSTEM



## DECAL SYSTEM

Item	Ref. No.	Qty	Description
1	56265727	1	Decal-Panel-ST (16ST, 18LX)
2	56265730	1	Decal-Clarke EX40 16ST (16ST)
3	56265731	1	Decal-Clarke EX40 18LX (18LX)
4	56265750	1	Decal-Storage Lock (16ST, 18LX)

# HANDLE SYSTEM 16ST



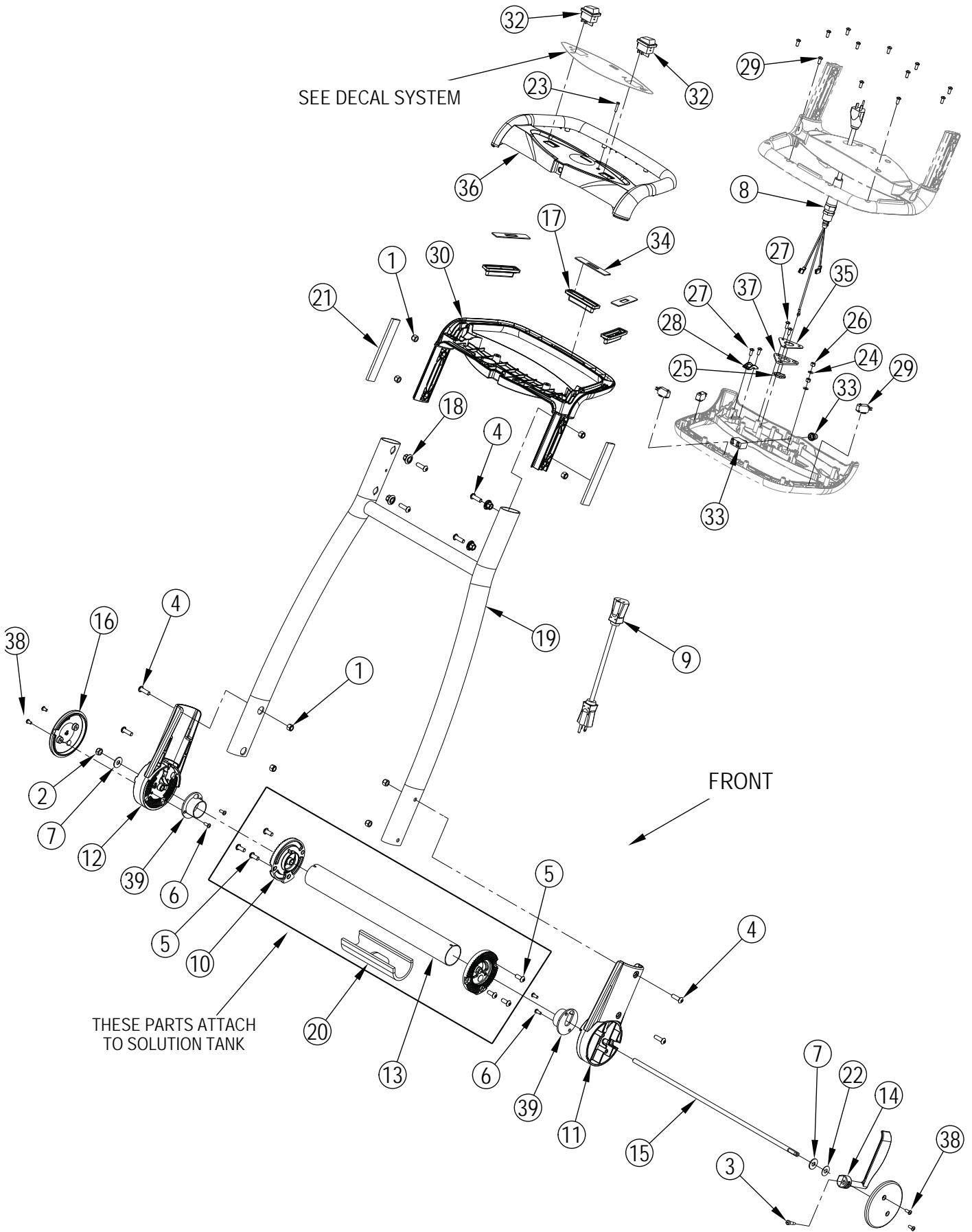


## HANDLE SYSTEM 16ST

Item	Ref. No.	Qty	Description
1	56002146	1	Scr-Pan Phil 8-32 X .62
2	56002701	4	Nut, Hex Nyl Loc 5/16-18
3	56002808	1	Nut, Hex Nyl Loc 8-32
4	56002874	1	Scr- Hex Ss 8-32 X .75
5	56002938	4	Wsh-Flt Sae Ss 5/16
6	56003963	4	Scr-Botton Soc Ss 5/16-18x1.00
7	56009010	2	Wsh, Int Shprt #8
8	56009095	1	Nut, Conduit Lock 1/2-14
9	56009148	2	Nut-Hex Machine 8-32
10	56009191	17	Scr, Pan Phil Plastite 10-14 X .50
11	56264119	1	Clamp, Power Cord
12	56265098	1	Switch, Spdt Snapaction <b>S4</b>
13	56265112	1	Cord Set-14/3x50' Yel
[14]	56265547	1	Harness-Main
15	56265549	2	Switch-Rocker-Dpst <b>S1</b>
16	56265550	1	Circuit Breaker-W/Boot-5a <b>CB1</b>
17	56265564	1	Plate-Switch Retainer
18	56265648	2	Handle Tube-Ratchet
19	56265659	1	Plate-Cord Mounting
20	56265666	1	Handle-Top Cover-St
21	56265682	2	Lever-Locking Assembly
22	56265693	1	Handle-Bottom Cover-St
23	56265698	1	Gasket-Cord Mount
24	56265715	1	Button-Handle
25	56265718	1	Cord-Pigtail
26	56265748	2	Retainer-Harness
27	56265752	2	Bushing-Cam Adjustment
28	9097228000	2	Ratchet Handle Adjuster

[ ] = Not Shown

### HANDLE SYSTEM 18LX

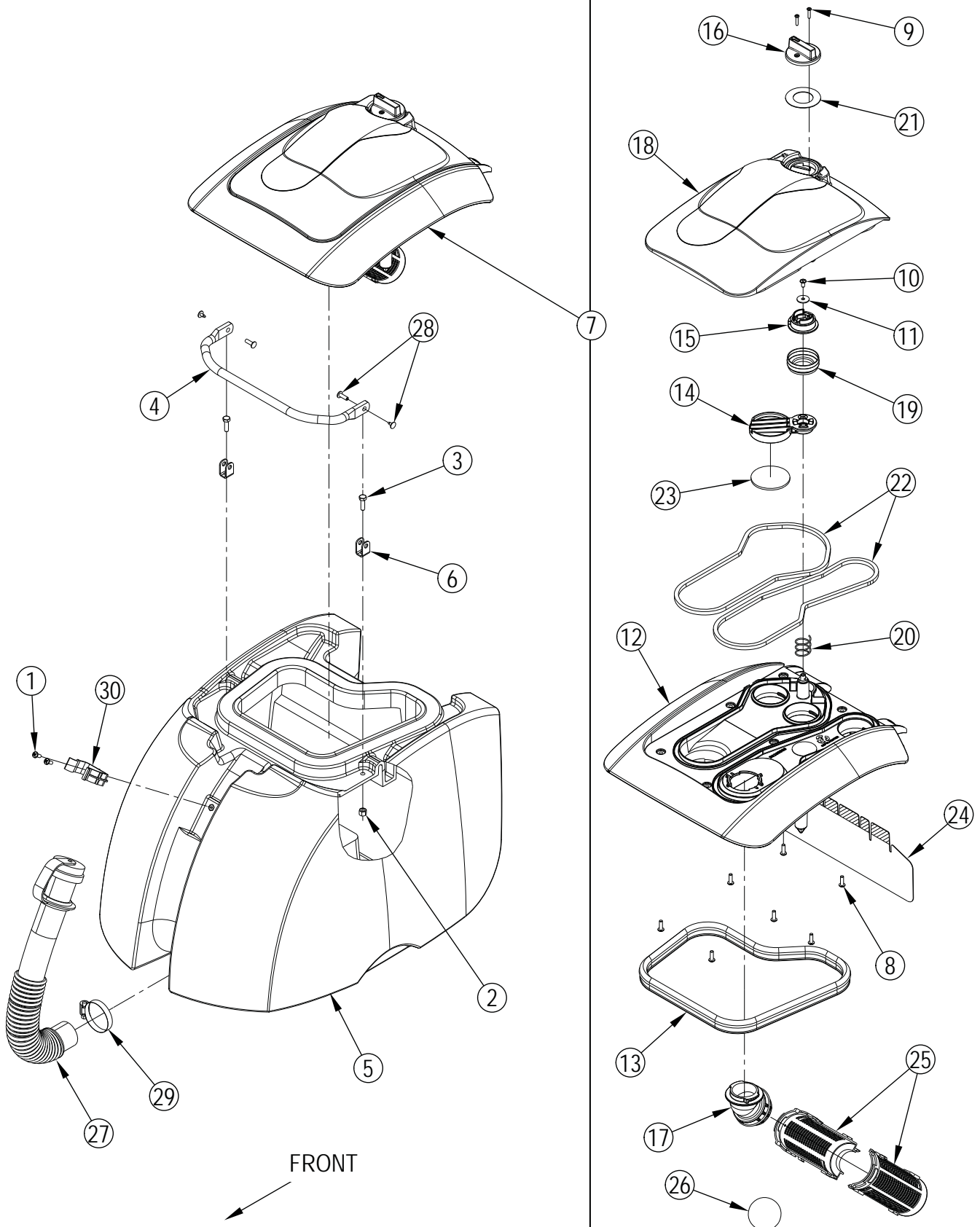


## HANDLE SYSTEM 18LX

Item	Ref. No.	Qty	Description
1	56002701	8	Nut, Hex Nyl Loc 5/16-18
2	56002852	1	Nut, Hex Nyl Loc-Thin Ss 3/8-16
3	56003624	1	Scr-Soc Shd .25 X .50 X 10-24
4	56003963	8	Scr-Botton Soc Ss 5/16-18x1.00
5	56003994	6	Scr-Button Soc Ss 5/16-18x.75
6	56009191	4	Scr, Pan Phil Plastite 10-14 X .50
7	56385358	2	Washer
8	56265718	1	Cord-Pigtail
9	56265112	1	Cord Set-14/3x50' Yel
10	56265525	2	Mount-Ratchet
11	56265526	1	Handle-Socket-W/Hole
12	56265527	1	Handle-Socket-W/O Hole
13	56265528	1	Sleeve-Steel-2.0 Dia
14	56265529	1	Lever-Cam
15	56265530	1	Shaft-Cam Lock
16	56265533	2	Cap-Ratchet
17	56265715	3	Button-Handle
18	56265658	4	Bushing-Handle
19	56265688	1	Handle Weldment
20	56265744	1	Gasket-Handle Tube
21	56265768	2	Gasket-Handle-.25 X 1.0 X 6.0
22	56632681	1	Washer, 3/8 Pl. Nylon
23	56002874	1	Scr- Hex Ss 8-32 X .75
24	56009010	2	Wsh, Int Shprt #8
25	56009095	1	Nut, Conduit Lock 1/2-14
26	56009148	2	Nut-Hex Machine 8-32
27	56009191	16	Scr, Pan Phil Plastite 10-14 X .50
28	56264119	1	Clamp, Power Cord
29	56265098	3	Switch, Spdt Snapaction <b>S4 / S5 / S6</b>
30	56265543	1	Handle-Bottom Cover
[31]	56265547	1	Harness-Main
32	56265549	2	Switch-Rocker-Dpst <b>S1</b>
33	56265550	1	Circuit Breaker-W/Boot-5a <b>CB1</b>
34	56265564	3	Plate-Switch Retainer
35	56265659	1	Plate-Cord Mounting
36	56265666	1	Handle-Top Cover-St
37	56265698	1	Gasket-Cord Mount
38	56009247	4	Scr Pn Phil Plastite 10-14x.38
39	56265786	2	Guide Ring Assy

[ ] = Not Shown

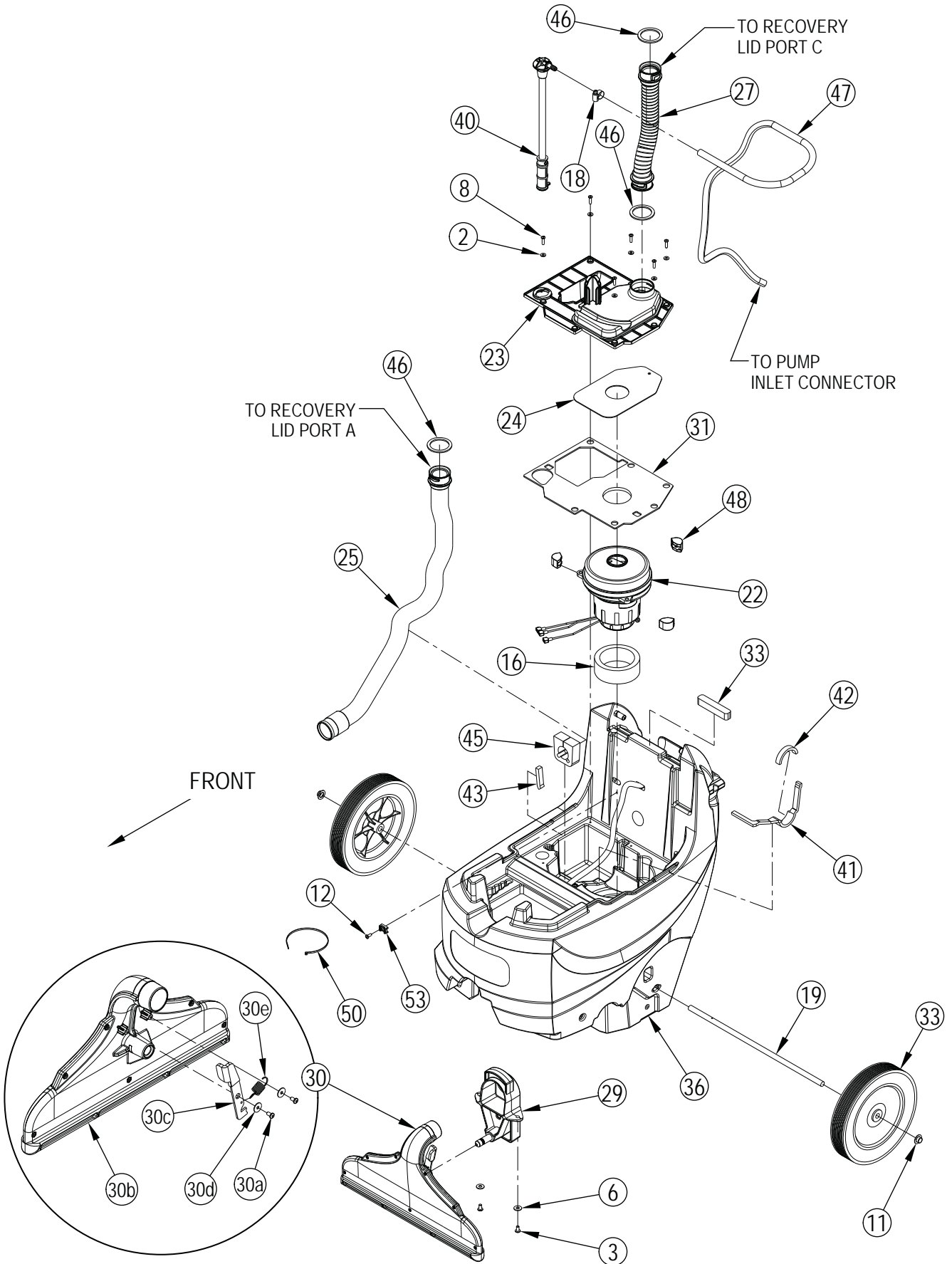
RECOVERY SYSTEM



## RECOVERY SYSTEM

Item	Ref. No.	Qty	Description
1	56002900	2	Scr-Pan Phil Ss 10-24 X .50
2	56003426	2	Nut, Hex Nyl Loc Ss M6-1
3	56003454	2	Scr-Hex Thd To Hd Ss M6-1 X 20mm
4	56265621	1	Handle-Tank
5	56265702	1	Recovery Tank-16-Blue (16ST)
	56265699	1	Recovery Tank-18-Blue (18LX)
6	56265630	2	Bracket-Handle Retainer
7		1	Recovery Lid Assembly
8	56002896	7	Scr-Pan Phil Ss 10-24 X .62
9	56003197	2	Scr, Pan Phil Plastite 6-18 X .62
10	56003913	1	Scr-Pan Phil Loc Ss 10-24 X .38
11	56009349	1	Wsh-Flt Ss .204 X .750 X .050
12	56265589	1	Lid-Recovery Tank
13	56265604	1	Gasket-Recovery Tank
14	56265651	1	Paddle-Valve
15	56265652	1	Actuator-Valve
16	56265653	1	Knob-Valve
17	56265654	1	Adapter-Ball Float
18	56265655	1	Cover-Recovery Lid
19	56265681	1	Seal-Diverter Valve
20	56265709	1	Spring-Compression-Ss
21	56265710	1	Seal-Selector Knob
22	56265737	2	Gasket-Lid-Poron-.25x.25
23	56265738	1	Gasket-Paddle-Poron-.125x2.38
24	56265783	1	Barrier-Flexible-Lid
25	56324497	2	Cage, Float
26	56391690	1	Ball- Float
27	56265685	1	Hose Drain 1.5 Inch
28	56265747	2	Binding Post-Quick Install
29	56329145	1	Clamp- Hose Sae #24
30	56331154	1	Clamp, Plastic

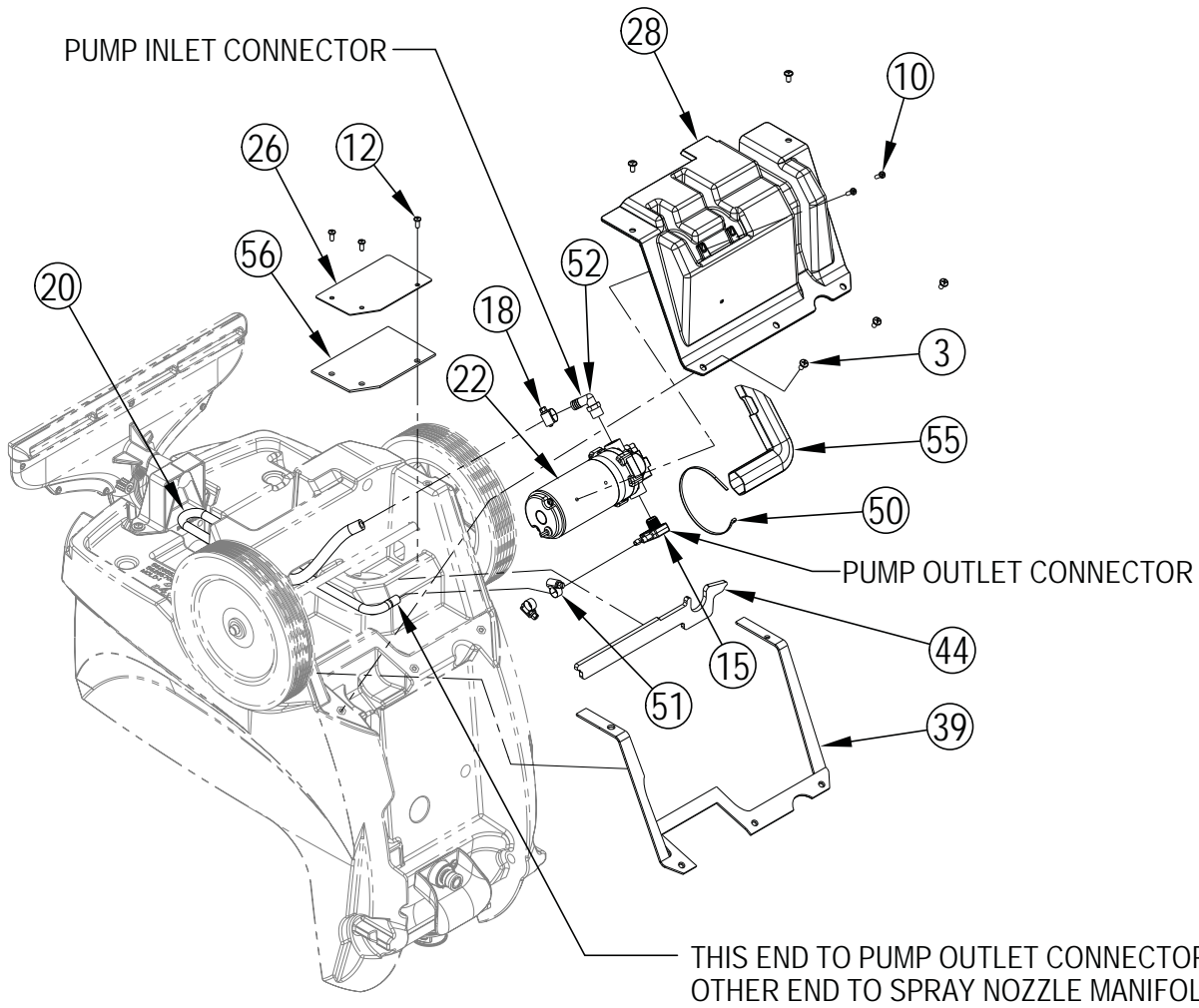
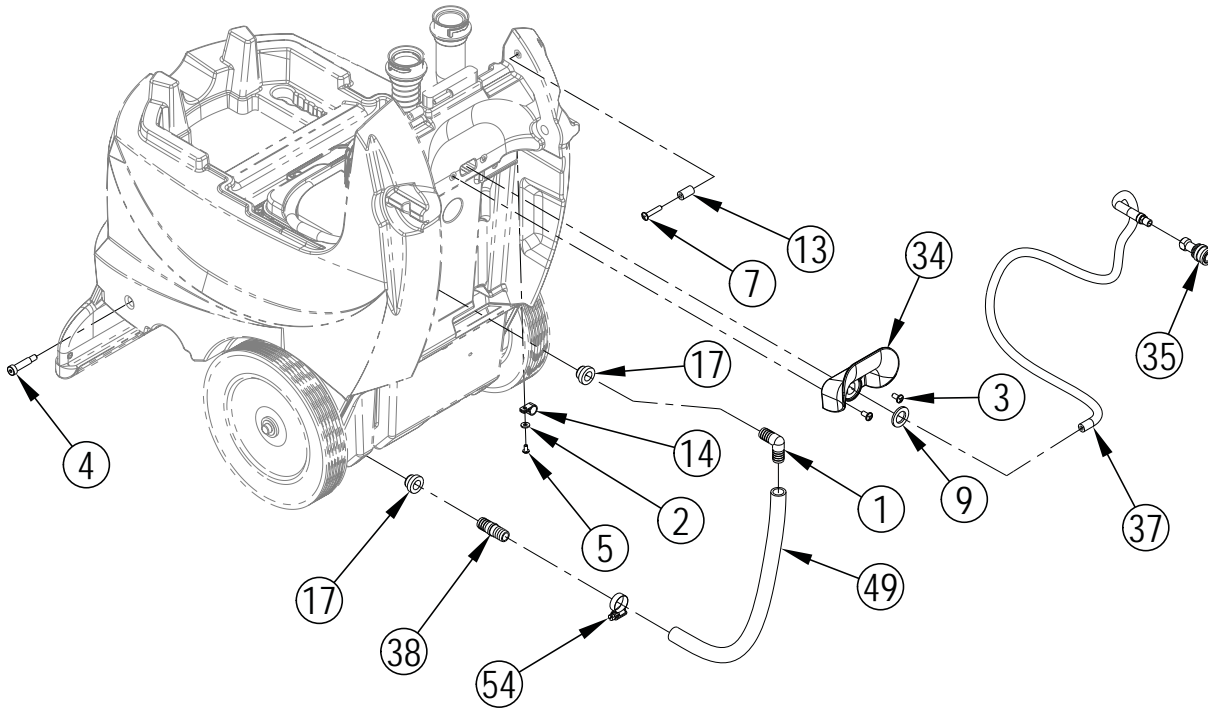
SOLUTION SYSTEM 16ST-1



## SOLUTION SYSTEM 16ST-1

Item	Ref. No.	Qty	Description	Item	Ref. No.	Qty	Description
1	832803	1	Elbow-5/8 Hose	30	56265650	1	Shoe/Latch Assembly-16
2	56001954	8	Wsh, Flt Sae #10	30a	56009247	2	Scr, Pan Phil Plastiite 10-14x .38
3	56003897	9	Scr-Pan Phil Loc Ss 1/4-20 X .50	30b	56265538	1	Shoe Assembly-16
4	56002624	1	Scr-Soc Shd .38 X 1.25 X 5/16-18	30c	56265640	1	Latch-Shoe
5	56003913	1	Scr-Pan Phil Loc Ss 10-24 X .38	30d	1326a	2	Washer Flat S.S 10 X11/1
6	56002914	2	Wsh, Flt Std Ss 1/4	30e	54196a	1	Spring Extension
7	56002958	2	Scr-Pan Phil Ss 1/4-20 X 1.25	31	56265665	1	Gasket-Vac Motor Cover
8	56003091	7	Scr, Pan Phil Plastiite 10-14 X .75	32	56265694	1	Gasket-Lid Support
9	56009022	1	Wsh, Flt .754 X 1.250 X .120	33	56265697	2	Wheel-10.00x1.75x.50
10	56009042	2	Scr, Pan Phil Thd Form 10-24 X .62	34	56265704	1	Hook-Hose Storage
11	56009097	2	Nut, Push Cap 1/2	35	56265705	1	Socket-Quick Disconnect-1/8 Npt
12	56009191	4	Scr, Pan Phil Plastiite 10-14 X .50	36	56265706	1	Tank-Solution-16-Blue
13	56052237	2	Spacer, Phenolic	37	56265708	1	Hose Assembly-Solution
14	56056903	1	Clamp-P	38	56265712	1	Coupler-Barb-5/8
15	56109503	1	Double Barb Assy	39	56265722	1	Gasket-Back Panel
16	56116110	1	Seal-Inlet	40	56265725	1	Solution Filter Assembly-16
17	56116721	2	Grommet-.59x.78x.62	41	56265732	1	Gasket-Vac Exhaust Chamber
18	56219932	2	Clamp- Hose Sae #6	42	56265733	1	Gasket-Vac Exhaust Port
19	56265057	1	Axle	43	56265734	1	Gasket-Vac Chamber-Side
20	56265373	1	Hose .25x21.0 E00160	44	56265735	1	Gasket-Backpanel-Bottom
21	56265552	1	Motor-Vacuum-120v M2	45	56265739	1	Gasket-Sound-Vac Hose
	56265683	1	Carbon Brush Kit-(Set Of 2) for 56265552	46	56265743	3	Gasket-Ring-Hose Cuff
22	56265554	1	Pump-115vac-120psi M1	47	56265766	1	Hose-Spiral-.500 X 52.00
23	56265582	1	Cover-Vac Motor	48	56315141	3	Mount, Vibration
24	56265583	1	Plate-Vac Motor	49	56383997	1	Hose-Pvc-5/8x19.00
25	56265586	1	Vac Hose Assembly	50	56478523	2	Tie, Cable
26	56265617	1	Cover-Vac Inlet	51	56756364	2	Clamp- Hose Sae #4
27	56265625	1	Hose Assembly	52	56109566	1	Barb, 90 Elbow 1/2 X 3/8npt
28	56265631	1	Cover-Back	53	9096595000	1	Flat Tie Holder
29	56265646	1	Bracket-Shoe	54	56112771	1	Clamp- Hose Sae #10
				55	56265787	1	Boot-Pump
				56	56265789	1	Gasket-Vac-Inlet Cover

SOLUTION SYSTEM 16ST-2



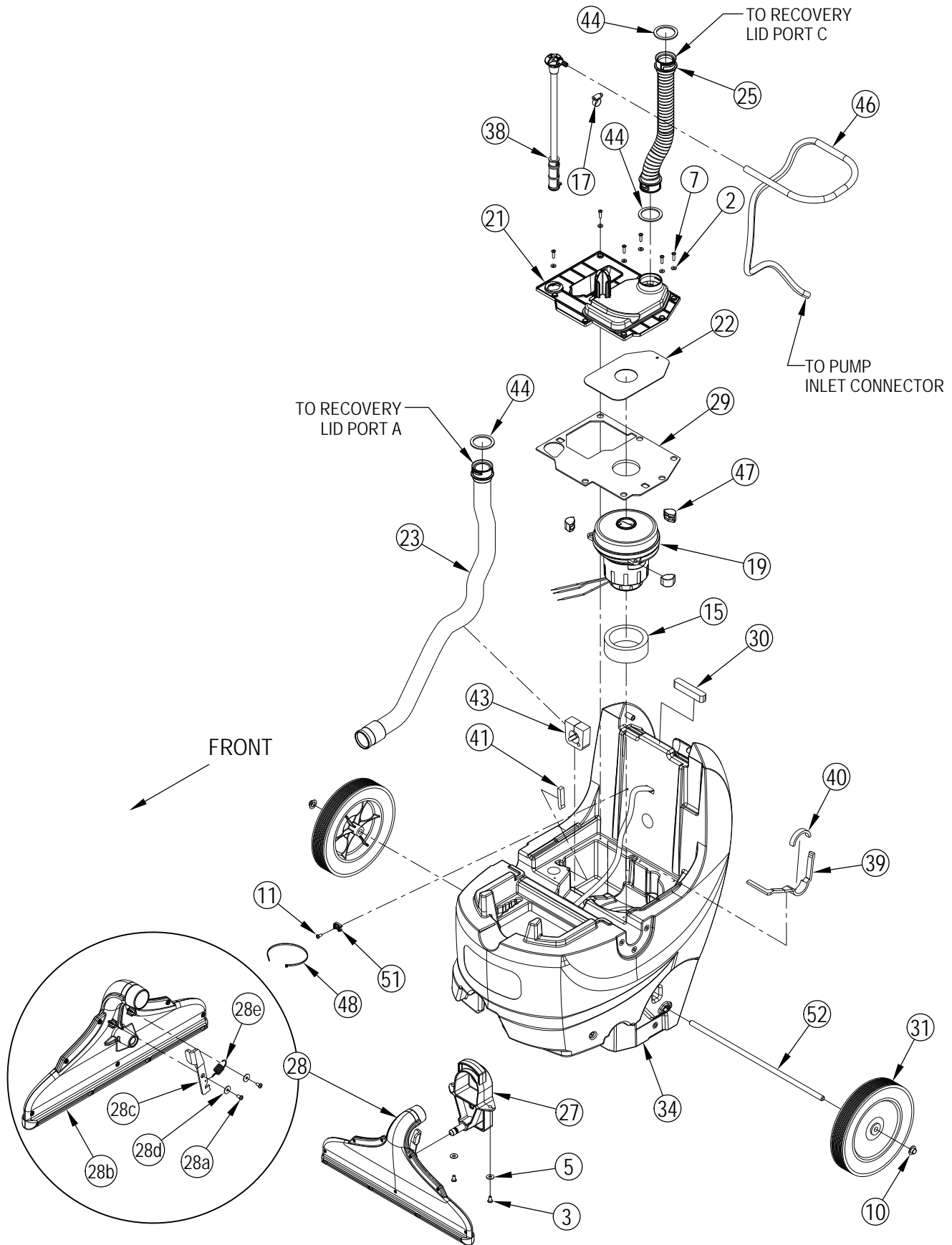


## SOLUTION SYSTEM 16ST-2

Item	Ref. No.	Qty	Description
1	832803	1	Elbow-5/8 Hose
2	56001954	8	Wsh, Flt Sae #10
3	56003897	9	Scr-Pan Phil Loc Ss 1/4-20 X .50
4	56002624	1	Scr-Soc Shd .38 X 1.25 X 5/16-18
5	56003913	1	Scr-Pan Phil Loc Ss 10-24 X .38
6	56002914	2	Wsh, Flt Std Ss 1/4
7	56002958	2	Scr-Pan Phil Ss 1/4-20 X 1.25
8	56003091	7	Scr, Pan Phil Plastite 10-14 X .75
9	56009022	1	Wsh, Flt .754 X 1.250 X .120
10	56009042	2	Scr, Pan Phil Thd Form 10-24 X .62
11	56009097	2	Nut, Push Cap 1/2
12	56009191	4	Scr, Pan Phil Plastite 10-14 X .50
13	56052237	2	Spacer, Phenolic
14	56056903	1	Clamp-P
15	56109503	1	Double Barb Assy
16	56116110	1	Seal-Inlet
17	56116721	2	Grommet-.59x.78x.62
18	56219932	2	Clamp- Hose Sae #6
19	56265057	1	Axle
20	56265373	1	Hose .25x21.0 E00160
21	56265552	1	Motor-Vacuum-120v <b>M2</b>
	56265683	1	Carbon Brush Kit-(Set Of 2) for 56265552
22	56265554	1	Pump-115vac-120psi <b>M1</b>
23	56265582	1	Cover-Vac Motor
24	56265583	1	Plate-Vac Motor
25	56265586	1	Vac Hose Assembly
26	56265617	1	Cover-Vac Inlet
27	56265625	1	Hose Assembly
28	56265631	1	Cover-Back
29	56265646	1	Bracket-Shoe

Item	Ref. No.	Qty	Description
30	56265650	1	Shoe/Latch Assembly-16
30a	56009247	2	Scr, Pan Phil Plastite 10-14x .38
30b	56265538	1	Shoe Assembly-16
30c	56265640	1	Latch-Shoe
30d	1326a	2	Washer Flat S.S 10 X11/1
30e	54196a	1	Spring Extension
31	56265665	1	Gasket-Vac Motor Cover
32	56265694	1	Gasket-Lid Support
33	56265697	2	Wheel-10.00x1.75x.50
34	56265704	1	Hook-Hose Storage
35	56265705	1	Socket-Quick Disconnect-1/8 Npt
36	56265706	1	Tank-Solution-16-Blue
37	56265708	1	Hose Assembly-Solution
38	56265712	1	Coupler-Barb-5/8
39	56265722	1	Gasket-Back Panel
40	56265725	1	Solution Filter Assembly-16
41	56265732	1	Gasket-Vac Exhaust Chamber
42	56265733	1	Gasket-Vac Exhaust Port
43	56265734	1	Gasket-Vac Chamber-Side
44	56265735	1	Gasket-Backpanel-Bottom
45	56265739	1	Gasket-Sound-Vac Hose
46	56265743	3	Gasket-Ring-Hose Cuff
47	56265766	1	Hose-Spiral-.500 X 52.00
48	56315141	3	Mount, Vibration
49	56383997	1	Hose-Pvc-5/8x19.00
50	56478523	2	Tie, Cable
51	56756364	2	Clamp- Hose Sae #4
52	56109566	1	Barb, 90 Elbow 1/2 X 3/8npt
53	9096595000	1	Flat Tie Holder
54	56112771	1	Clamp- Hose Sae #10
55	56265787	1	Boot-Pump
56	56265789	1	Gasket-Vac-Inlet Cover

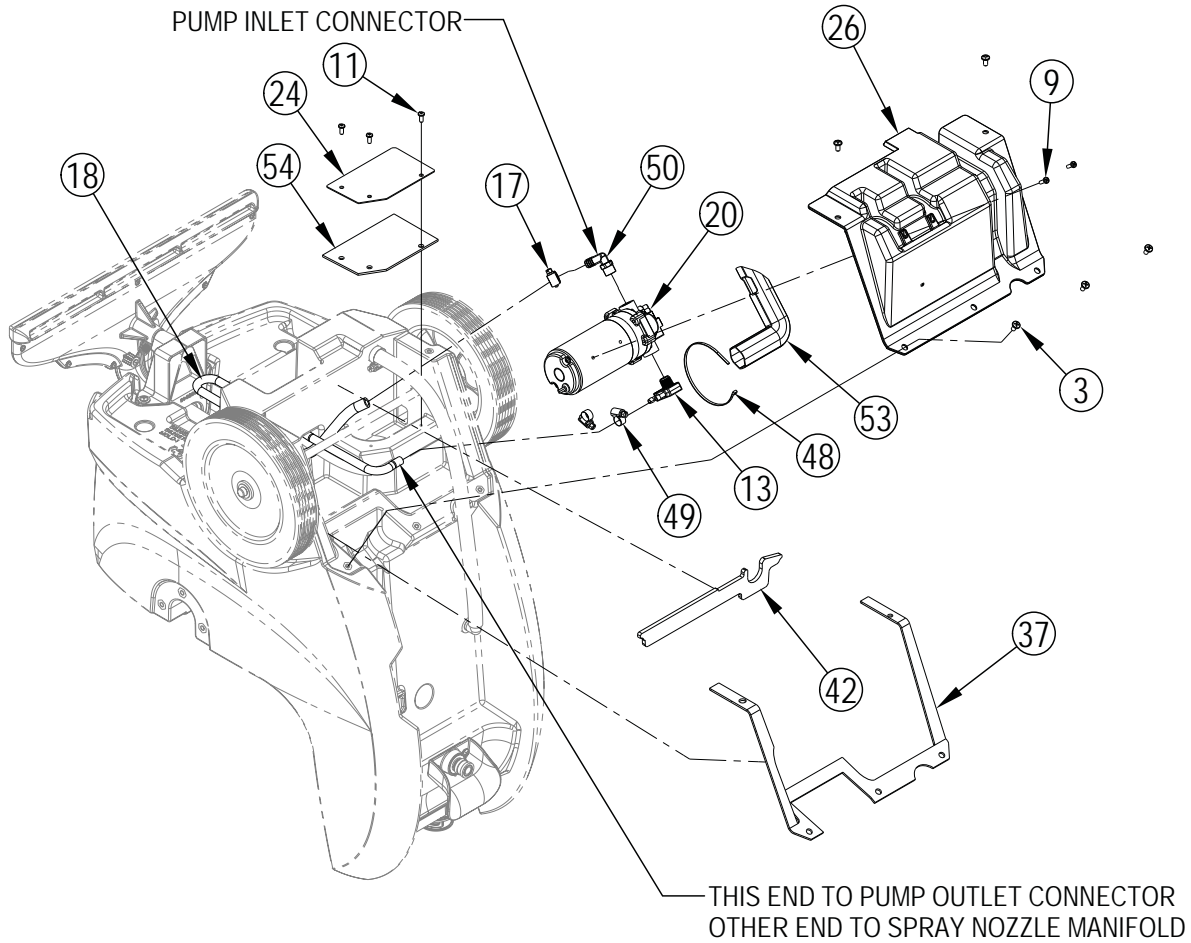
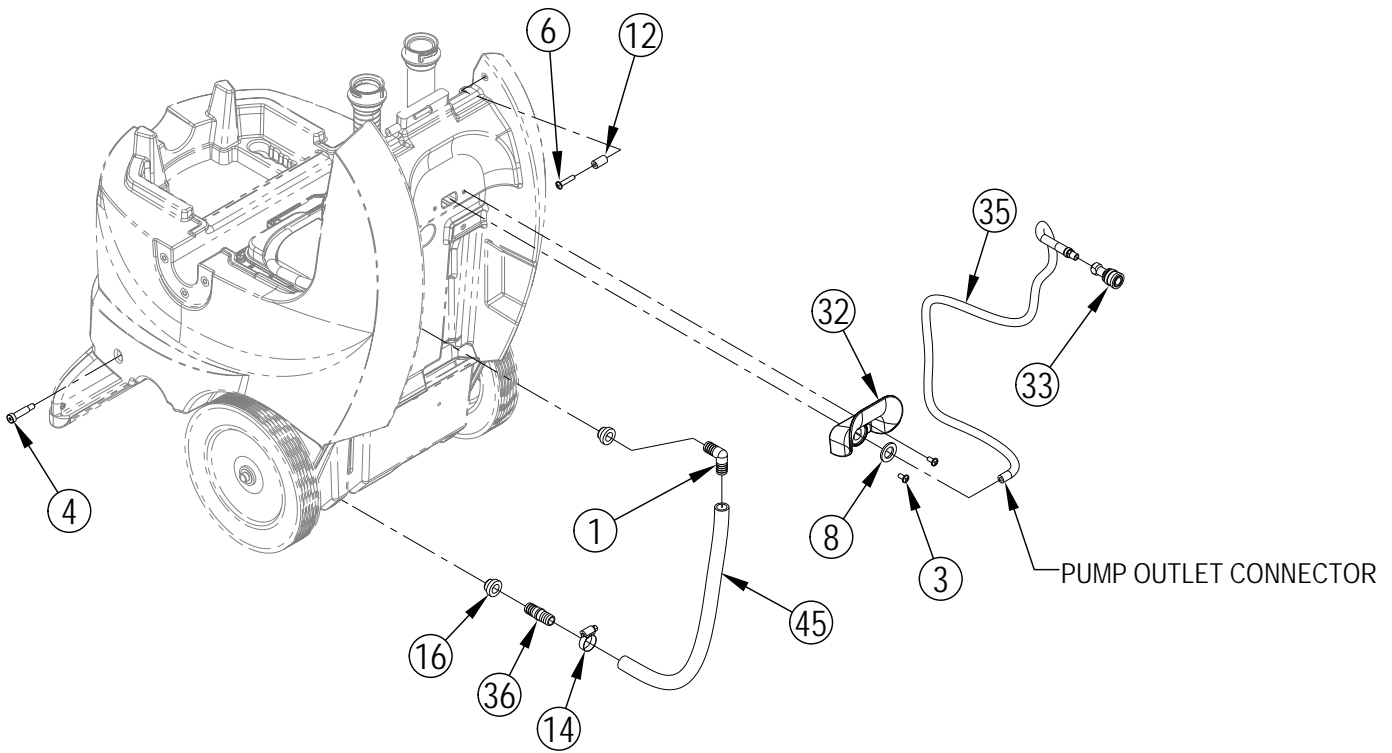
SOLUTION SYSTEM 18LX-1



## SOLUTION SYSTEM 18LX-1

Item	Ref. No.	Qty	Description	Item	Ref. No.	Qty	Description
1	832803	1	Elbow-5/8 Hose	29	56265665	1	Gasket-Vac Motor Cover
2	56001954	6	Wsh, Flt Sae #10	30	56265694	1	Gasket-Lid Support
3	56003897	9	Scr-Pan Phil Loc Ss 1/4-20 X .50	31	56265697	2	Wheel-10.00x1.75x.50
4	56002624	1	Scr-Soc Shd .38 X 1.25 X 5/16-18	32	56265704	1	Hook-Hose Storage
5	56002914	2	Wsh, Flt Std Ss 1/4	33	56265705	1	Socket-Quick Disconnect-1/8 Npt
6	56002958	2	Scr-Pan Phil Ss 1/4-20 X 1.25	34	56265707	1	Tank-Solution-18-Blue
7	56003091	6	Scr, Pan Phil Plastite 10-14 X .75	35	56265708	1	Hose Assembly-Solution
8	56009022	1	Wsh, Flt .754 X 1.250 X .120	36	56265712	1	Coupler-Barb-5/8
9	56009042	2	Scr, Pan Phil Thd Form 10-24 X .62	37	56265722	1	Gasket-Back Panel
10	56009097	2	Nut, Push Cap 1/2	38	56265726	1	Solution Filter Assembly-18
11	56009191	4	Scr, Pan Phil Plastite 10-14 X .50	39	56265732	1	Gasket-Vac Exhaust Chamber
12	56052237	2	Spacer, Phenolic	40	56265733	1	Gasket-Vac Exhaust Port
13	56109503	1	Double Barb Assy	41	56265734	1	Gasket-Vac Chamber-Side
14	56112771	1	Clamp- Hose Sae #10	42	56265735	1	Gasket-Backpanel-Bottom
15	56116110	1	Seal-Inlet	43	56265739	1	Gasket-Sound-Vac Hose
16	56116721	2	Grommet-.59x.78x.62	44	56265743	3	Gasket-Ring-Hose Cuff
17	56219932	2	Clamp- Hose Sae #6	45	56265745	1	Hose-Pvc-5/8x20.60
18	56265373	1	Hose .25x21.0 E00160	46	56265766	1	Hose-Spiral-.500 X 52.00
19	56265552	1	Motor-Vacuum-120v M2	47	56315141	3	Mount, Vibration
	56265683	1	Carbon Brush Kit-(Set Of 2) for 56265552	48	56478523	2	Tie, Cable
20	56265554	1	Pump-115vac-120psi M1	49	56756364	2	Clamp- Hose Sae #4
21	56265582	1	Cover-Vac Motor	50	56109566	1	Barb, 90 Elbow 1/2 X 3/8npt
22	56265583	1	Plate-Vac Motor	51	9096595000	1	Flat Tie Holder
23	56265586	1	Vac Hose Assembly	52	910-1863	1	Axel Rod Zinc Plated 1/2 Ro
24	56265617	1	Cover-Vac Inlet	53	56265787	1	Boot-Pump
25	56265625	1	Hose Assembly	54	56265789	1	Gasket-Vac-Inlet Cover
26	56265631	1	Cover-Back				
27	56265646	1	Bracket-Shoe				
28	56265662	1	Shoe/Latch Assembly-18				
28a	56009247	2	Scr, Pan Phil Plastite 10-14x .38				
28b	56265538	1	Shoe Assembly-16				
28c	56265640	1	Latch-Shoe				
28d	1326a	2	Washer Flat S.S 10 X11/1				
28e	54196a	1	Spring Extension				

SOLUTION SYSTEM 18LX-2

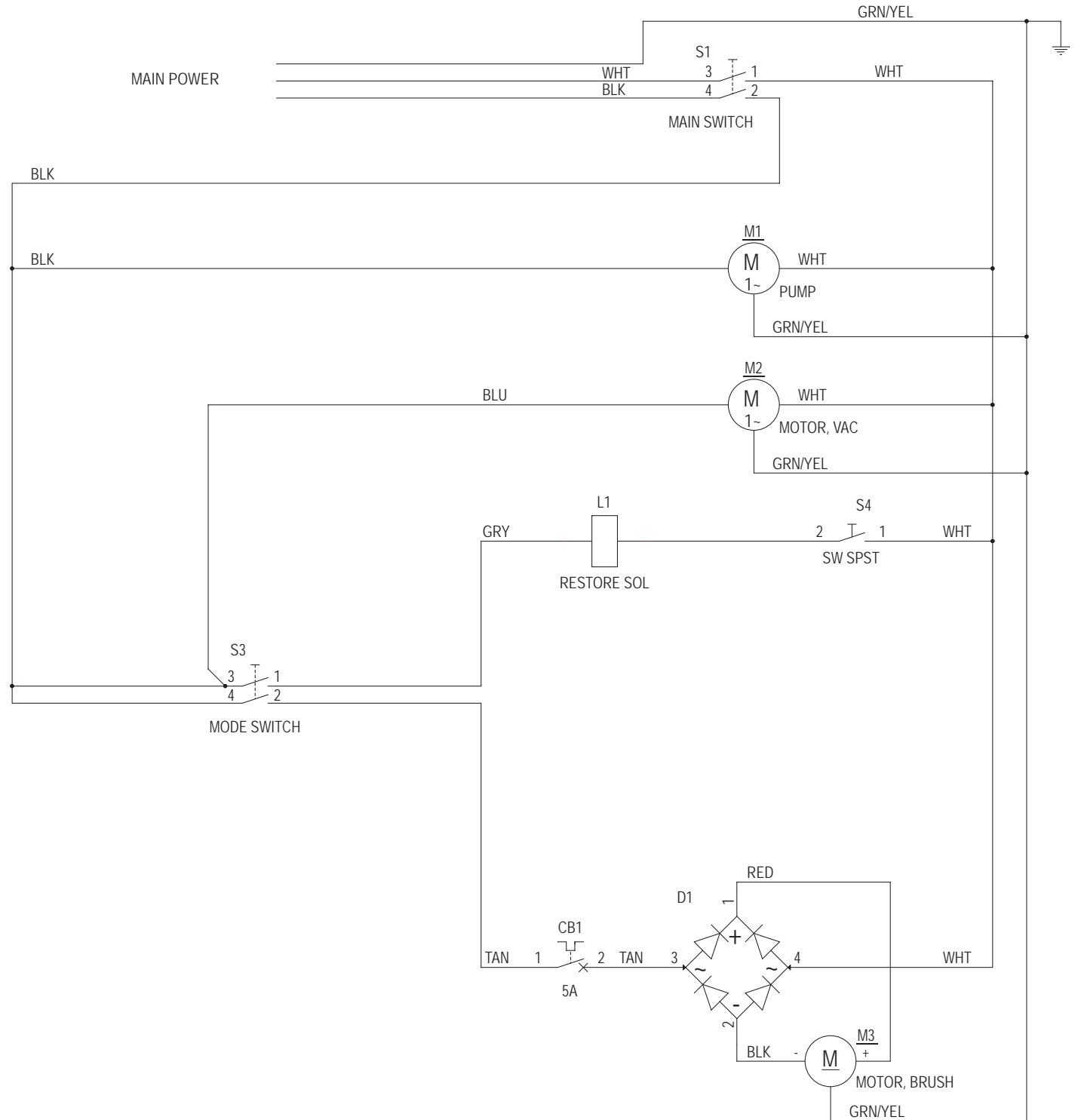


## SOLUTION SYSTEM 18LX-2

Item	Ref. No.	Qty	Description	Item	Ref. No.	Qty	Description
1	832803	1	Elbow-5/8 Hose	29	56265665	1	Gasket-Vac Motor Cover
2	56001954	6	Wsh, Flt Sae #10	30	56265694	1	Gasket-Lid Support
3	56003897	9	Scr-Pan Phil Loc Ss 1/4-20 X .50	31	56265697	2	Wheel-10.00x1.75x.50
4	56002624	1	Scr-Soc Shd .38 X 1.25 X 5/16-18	32	56265704	1	Hook-Hose Storage
5	56002914	2	Wsh, Flt Std Ss 1/4	33	56265705	1	Socket-Quick Disconnect-1/8 Npt
6	56002958	2	Scr-Pan Phil Ss 1/4-20 X 1.25	34	56265707	1	Tank-Solution-18-Blue
7	56003091	6	Scr, Pan Phil Plastite 10-14 X .75	35	56265708	1	Hose Assembly-Solution
8	56009022	1	Wsh, Flt .754 X 1.250 X .120	36	56265712	1	Coupler-Barb-5/8
9	56009042	2	Scr, Pan Phil Thd Form 10-24 X .62	37	56265722	1	Gasket-Back Panel
10	56009097	2	Nut, Push Cap 1/2	38	56265726	1	Solution Filter Assembly-18
11	56009191	4	Scr, Pan Phil Plastite 10-14 X .50	39	56265732	1	Gasket-Vac Exhaust Chamber
12	56052237	2	Spacer, Phenolic	40	56265733	1	Gasket-Vac Exhaust Port
13	56109503	1	Double Barb Assy	41	56265734	1	Gasket-Vac Chamber-Side
14	56112771	1	Clamp- Hose Sae #10	42	56265735	1	Gasket-Backpanel-Bottom
15	56116110	1	Seal-Inlet	43	56265739	1	Gasket-Sound-Vac Hose
16	56116721	2	Grommet-.59x.78x.62	44	56265743	3	Gasket-Ring-Hose Cuff
17	56219932	2	Clamp- Hose Sae #6	45	56265745	1	Hose-Pvc-5/8x20.60
18	56265373	1	Hose .25x21.0 E00160	46	56265766	1	Hose-Spiral-.500 X 52.00
19	56265552	1	Motor-Vacuum-120v M2	47	56315141	3	Mount, Vibration
	56265683	1	Carbon Brush Kit-(Set Of 2) for 56265552	48	56478523	2	Tie, Cable
20	56265554	1	Pump-115vac-120psi M1	49	56756364	2	Clamp- Hose Sae #4
21	56265582	1	Cover-Vac Motor	50	56109566	1	Barb, 90 Elbow 1/2 X 3/8npt
22	56265583	1	Plate-Vac Motor	51	9096595000	1	Flat Tie Holder
23	56265586	1	Vac Hose Assembly	52	910-1863	1	Axel Rod Zinc Plated 1/2 Ro
24	56265617	1	Cover-Vac Inlet	53	56265787	1	Boot-Pump
25	56265625	1	Hose Assembly	54	56265789	1	Gasket-Vac-Inlet Cover
26	56265631	1	Cover-Back				
27	56265646	1	Bracket-Shoe				
28	56265662	1	Shoe/Latch Assembly-18				
28a	56009247	2	Scr, Pan Phil Plastite 10-14x .38				
28b	56265538	1	Shoe Assembly-16				
28c	56265640	1	Latch-Shoe				
28d	1326a	2	Washer Flat S.S 10 X11/1				
28e	54196a	1	Spring Extension				

# LADDER DIAGRAM 16ST

ST MACHINE VARIANT

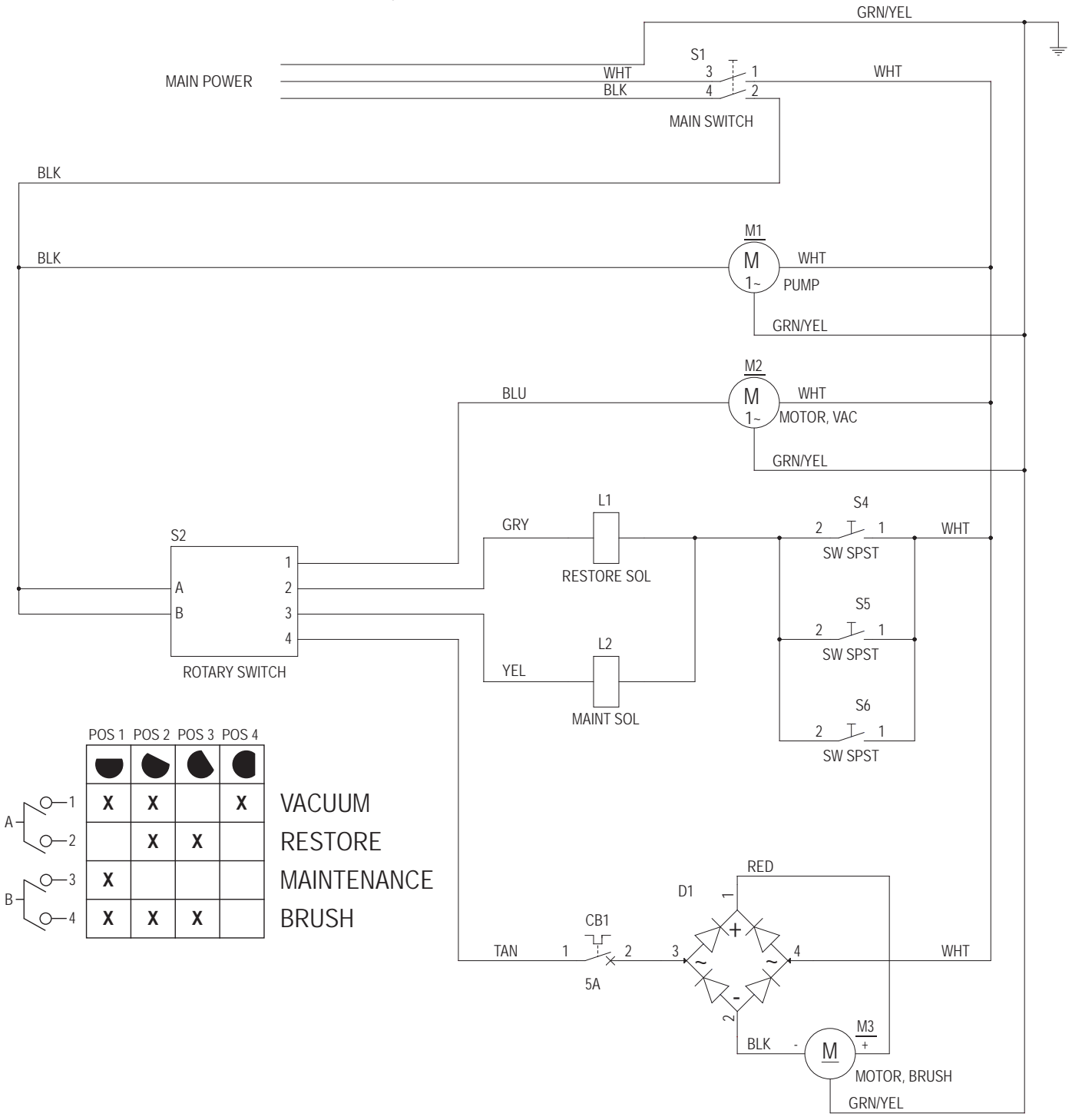


## LADDER DIAGRAM 16ST

<u>Item</u>	<u>Ref. No.</u>	<u>Qty</u>	<u>Description</u>
CB1	56265550	1	Circuit Breaker, 5 Amp
D1	56265103	1	Rectifier, 35 Amp
L1	56265746	1	Valve, Solenoid 115V
M1	56265554	1	Pump-115vac-120psi
M2	56265552	1	Motor-Vacuum-120v
	56265683		Carbon Brush Kit-(Set Of 2) for 56265552
M3	56265075	1	Motor, 115 Vdc, 1/3 Hp
S1	56265549	1	Switch-Rocker-Dpst
S3	56265549	1	Switch-Rocker-Dpst
S4	56265098	1	Switch, Spdt Snapaction

# LADDER DIAGRAM 18LX

LX MACHINE VARIANT



POS 1 POS 2 POS 3 POS 4

A-1	X	X		X
A-2		X	X	
B-3	X			
B-4	X	X	X	

VACUUM  
RESTORE  
MAINTENANCE  
BRUSH



## LADDER DIAGRAM 18LX

<u>Item</u>	<u>Ref. No.</u>	<u>Qty</u>	<u>Description</u>
CB1	56265550	1	Circuit Breaker, 5 Amp
D1	56265103	1	Rectifier, 35 Amp
L1	56265746	1	Valve, Solenoid 115V
L2	56265570	1	Valve/Nozzle Assy-120v-Maint
M1	56265554	1	Pump-115vac-120psi
M2	56265552	1	Motor-Vacuum-120v
	56265683		Carbon Brush Kit-(Set Of 2) for 56265552
M3	56265075	1	Motor, 115 Vdc, 1/3 Hp
S1	56265549	1	Switch-Rocker-Dpst
S2	56265551	1	Rotary Switch
S4	56265098	1	Switch, Spdt Snapaction
S5	56265098	1	Switch, Spdt Snapaction
S6	56265098	1	Switch, Spdt Snapaction

## OPTIONS &amp; ACCESSORIES

Item	Ref. No.	Qty	Description
			Options
	56265044	1	Brush Assembly 16
	56265175	1	Brush Assembly Blue 16 Hard
	56265176	1	Brush Assembly 240 Grit 16
	56265099	1	Brush Assembly 18
	56265177	1	Brush Assembly Blue 18 Hard
	56265178	1	Brush Assembly 240 Grit 18
			Accessories
	56314402	1	Wand Assembly w/Soft and Hard Floor Tools
	56265173	1	Wand Assembly w/Soft Floor Tool
	56220070	1	Upholstery Hand Tool
	56265305	1	Drag Wand
	56265306	1	Scrub and Vac Wand
	56265309	1	Plug Adaptor Kit
	56265174	1	15' Hose w/Waterline
	56265753	1	Hose Assy - 96 In.
	56265754	1	Hose Assy - 184 In.
	56265767	1	Hand Tool/Hoses Assembly
	56265675	1	Hard Floor Tool Assembly
	56044699	1	Literature Pack
			Brushes (See <b>Brush Selector Guide</b> )

## BRUSH SELECTOR GUIDE

We provide brushes that will give you the best possible performance between machine and floor. Following are descriptions of the materials and their applications.

- Soft Nylon Brush:** Carpet cleaning brush also used on soft-finish floors where a more aggressive brush would leave scratch marks, or in applications requiring light cleaning.
- Stiff Nylon Brush (Blue):** Hard floor cleaning effective in cleaning most common surfaces.
- 240 Grit Brush:** Medium aggressive grit brush. Good all-around brush for medium to heavy buildup removal on hard floors.

### 16" BRUSHES

56265044 - Nylon  
56265175 - Blue  
56265176 - 240 Grit

### 18" BRUSHES

56265099 - Nylon  
56265177 - Blue  
56265178 - 240 Grit

## CYLINDRICAL BRUSH APPLICATION GUIDE (SUGGESTION ONLY)

Application	Nylon	Blue	240 Grit
<b>General Cleaning:</b>			
Carpet Cleaning	X		
Concrete		X	X
Terrazzo	X	X	X
Ceramic/Quarry tile	X	X	X
Marble	X	X	X
Vinyl tile	X	X	X
Raised-rubber tile	X	X	X

**Clarke<sup>®</sup>**

9435 Winnetka Ave North

Minneapolis, MN 55445

[www.clarkeus.com](http://www.clarkeus.com)

Phone: 800-253-0367

Fax: 800-825-2753

©2016 Nilfisk, Inc.

---

**A Nilfisk Brand**