

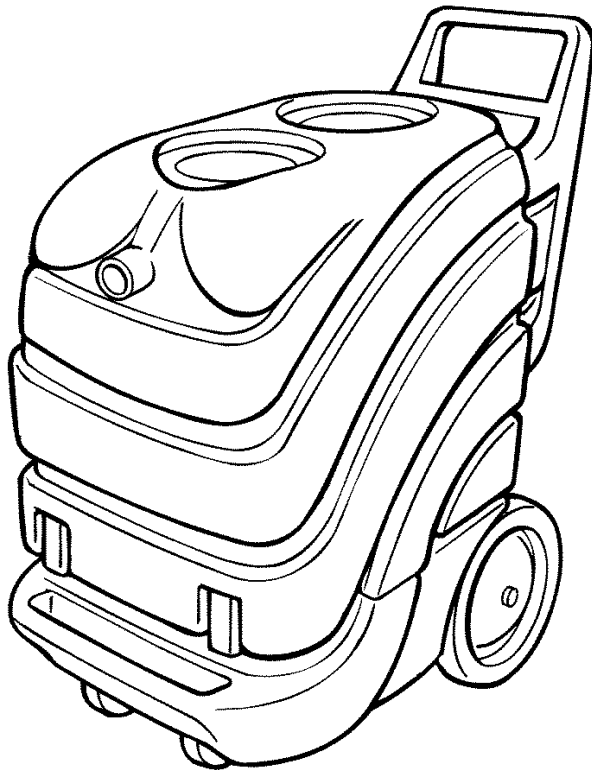


1140

Carpet Extractor with Heat

Model No.:
607681
607682 – Pac

Operator and Parts Manual

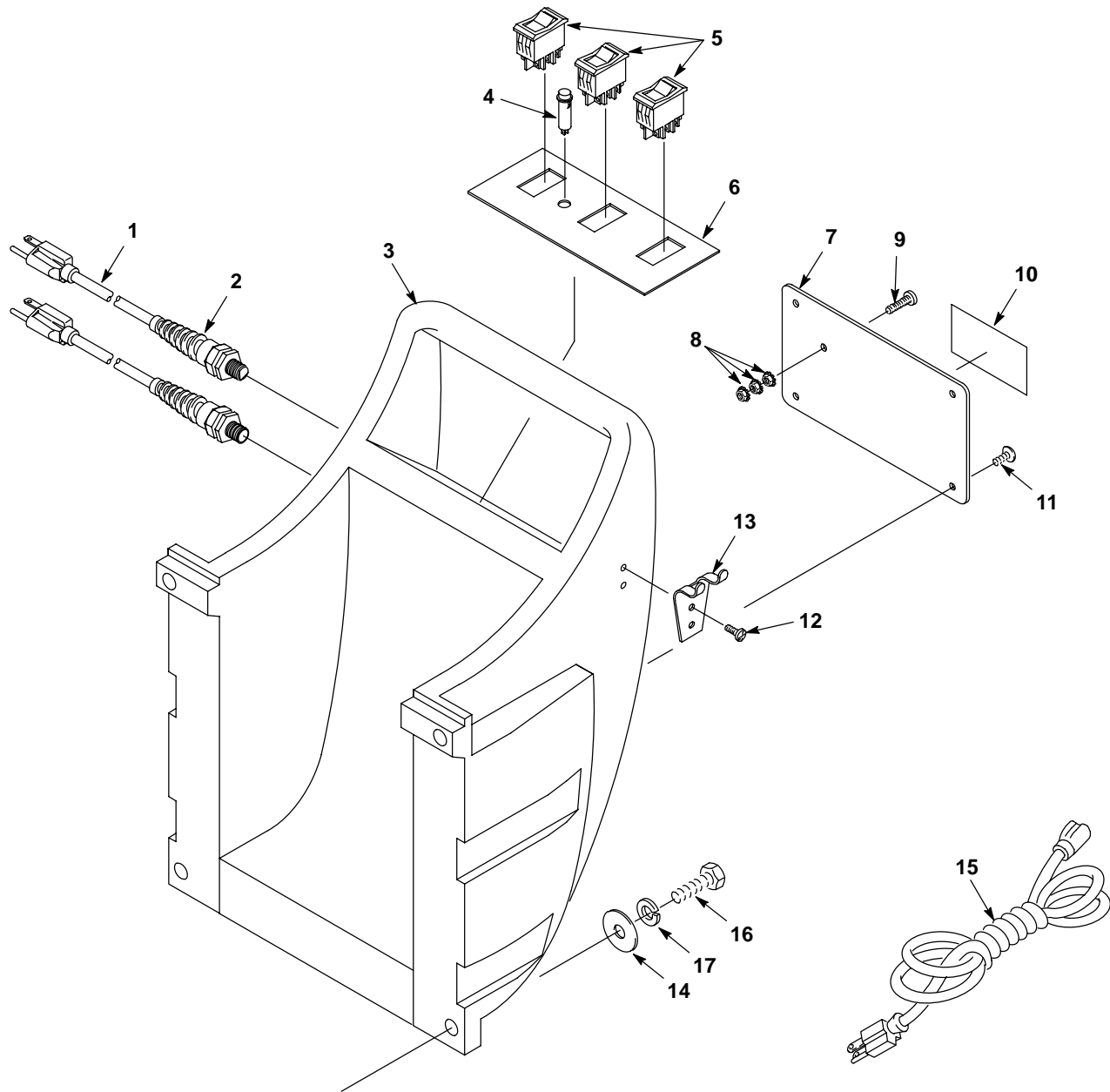


TENNANT COMPANY
Commercial Products
12875 RANSOM STREET
HOLLAND MI 49424 U.S.A.

FAX: 1-800-678-4240
CUSTOMER SERVICE: 1-800-982-7658

608788
Rev. 00 (11-99)

HANDLE GROUP

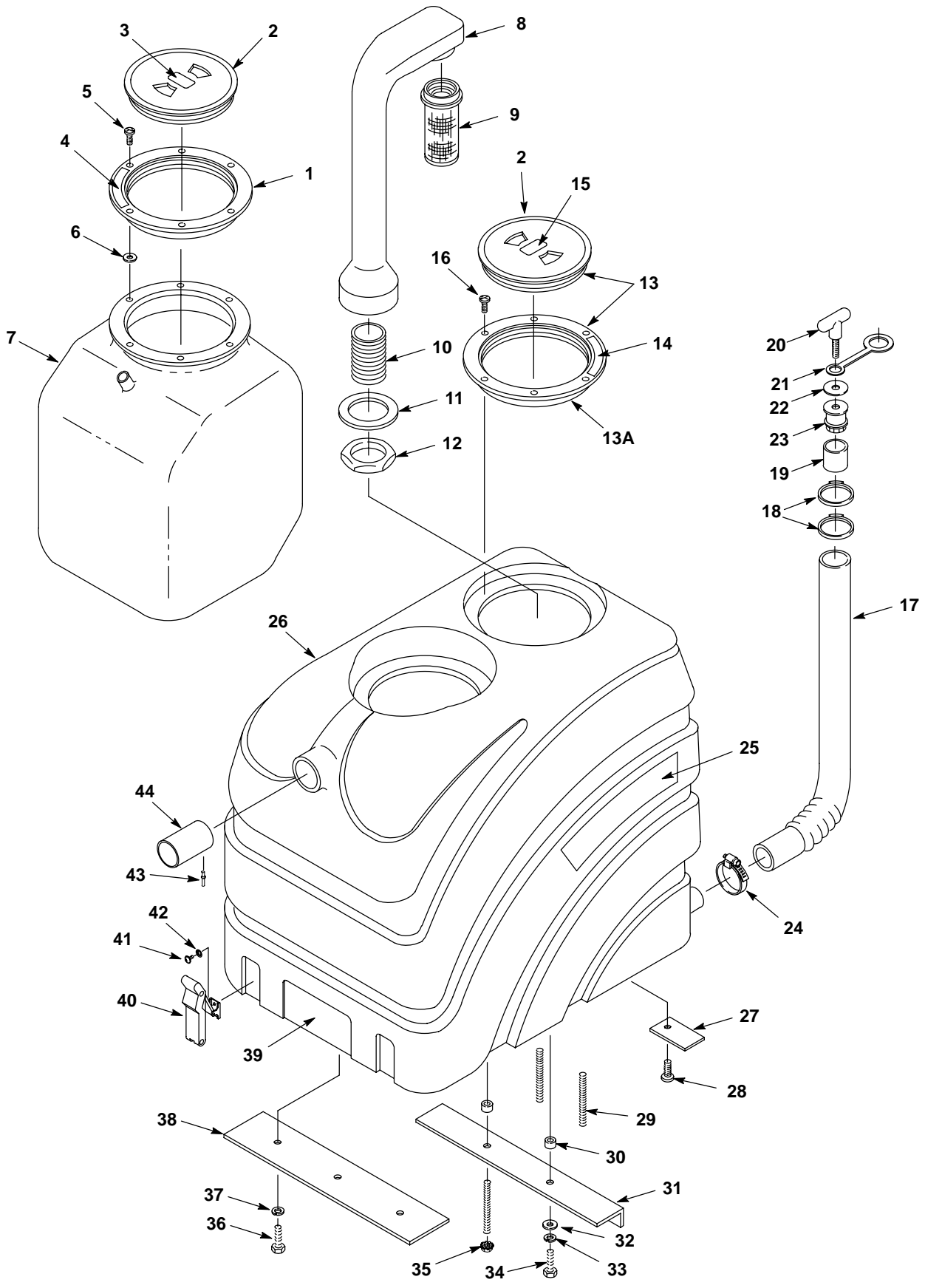


REF	PART #	DESCRIPTION	QTY.
1	130227	●CORD, 14/3 X 20" YELLOW	2
2	130166	●CORD GRIP, NYLON/BLK W/NUT	2
3	607689	HANDLE, TEAL	1
4	130691	●LIGHT, INDICATOR – GREEN	1
5	19417	●SWITCH, WITH ON/OFF	3
6	120189	DECAL, DASH	1
7	230908.BK	PLATE, REAR COVER BLACK	1
8	140519	NUT 10–24 KEP	3
9	140900	SCREW 10–24X3/4 TRSPHL	1

REF	PART #	DESCRIPTION	QTY.
10	120619	DECAL, WARNING EXTRACTORS	1
11	140837	SCREW 10–24X3/8 TRSPHL	4
12	140825	SCREW #6X1/2 PANPHL	2
13	230696.BK	BRACKET, DRAIN HOSE HANGER	1
14	140028	WASHER 3/8 FLT	4
15	130694	●CORD, EXT 14/3X25' YELLOW	1
16	140231	SCREW, HXHDCP 3/8X1–1/2	4
17	140017	WASHER 3/8 SPLTLCK	4

● RECOMMENDED STOCK ITEMS

UPPER HOUSING GROUP



UPPER HOUSING GROUP

REF	PART #	DESCRIPTION	QTY.
▽	100103	CLEAR LID, W/CNTRS NK HOLES	1
▲1	100109	LID OUTER RING	1
▲2	100105	● LID, CENTER ONLY CLEAR	1
3	120190	DECAL, "USE BLEEDER HOSE"	1
4	120907	DECAL, "IMPORTANT..."	1
5	140900	SCREW, 10-24X3/4 TRSPHL	6
6	140000	WASHER, 1/4 FLT	6
7	602783	BLADDER, SOLUTION	1
8	602448	STANDPIPE W/NIPPLE	1
9	180613	● FLOAT, SHUT-OFF	1
10	606088	FITTING 1-1/2" NIPPLE	1
11	101714	GASKET, WASTE AIR CHAMBER	1
12	210240	NUT, FLANGED METAL 1-1/2	1
13	100102	● CLEAR LID W/STANDARD HOLE	1
13A	600812	LID, OUTER RING ONLY	1
14	120907	DECAL, IMPORTANT-ALWAYS...	1
15	120906	DECAL, IMPORTANT-DRAIN...	1
16	140825	SCREW, #6X1/2 PANPHL	6
▽	190965	KIT, DRAIN HOSE COMPLETE	1
▲17	160627	HOSE, DRAIN	1
▲18	140072	CLAMP, 1 9/16 STEPLESS	2
▲19	140921	SLEEVE, DRAIN HOSE	1
▽▲	501061	● ASM DRAINHOSE STOPPER	1
▲20	230831	KNOB, DRAIN HOSE	1
▲21	230882	STRAP, DRAIN STOPPER	1
▲22	140056	WASHER 3/8IDX1.50OD FNDR	1
▲23	140955	PLUG, DRAIN HOSE	1

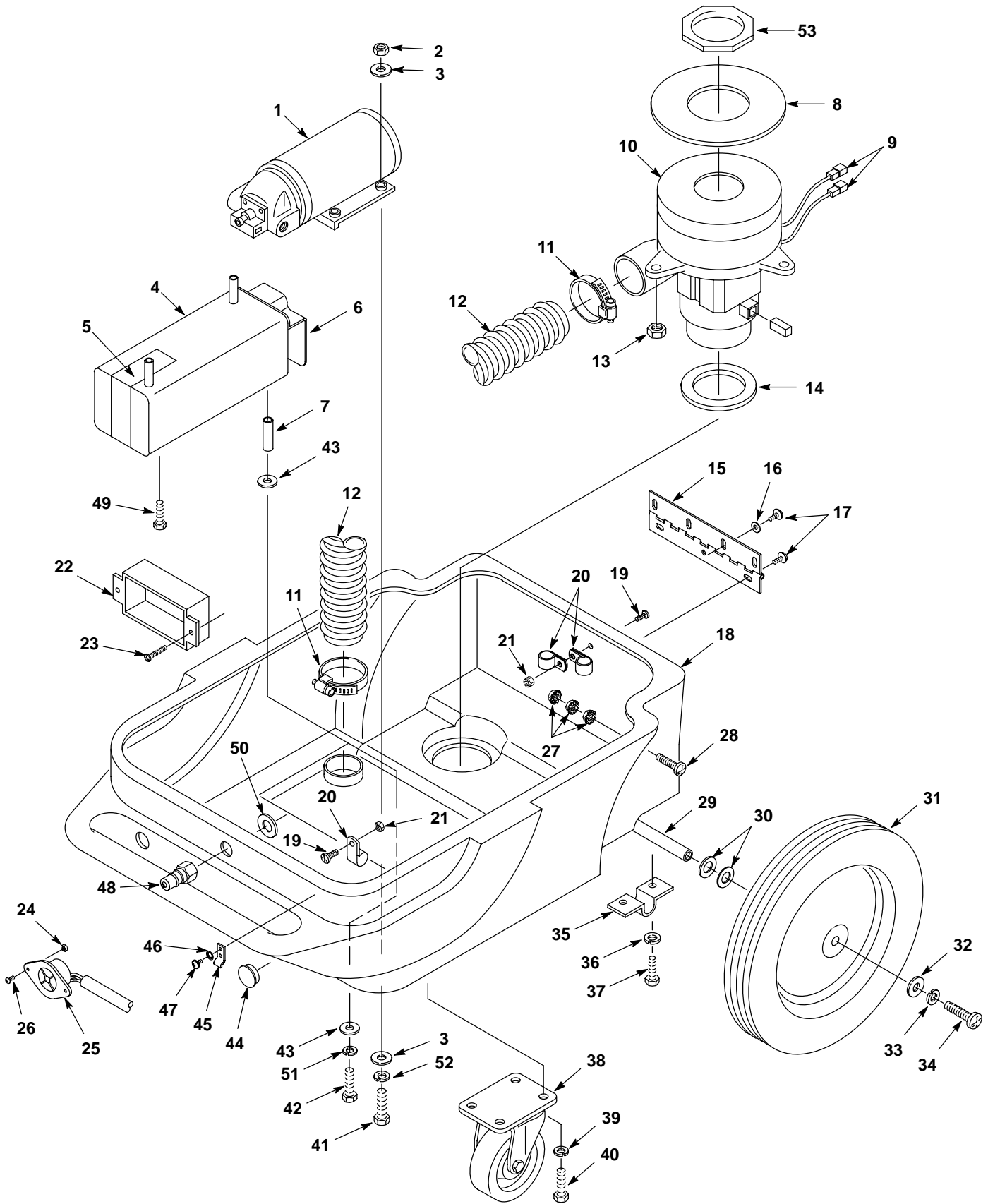
REF	PART #	DESCRIPTION	QTY.
24	140307	CLAMP, HOSE 3/4 TO 1-3/4	1
25	608148	DECAL, 1140	2
26	607686	TANK, RECOVERY, TEAL	1
27	230845	PLATE, CORD CLAMP	1
28	140834	SCREW 1/4-20X5/8 FLTPHL	1
29	140258	SCREW 1/4-20X4-1/4 STUD	3
30	140134	BUSHING .375ODX.250IDX.270THK	2
31	230846	BRACKET, TANK SUPPORT	1
32	140000	WASHER 1/4 FLT	1
33	140016	WASHER 1/4 LCK	1
34	140554	SCREW 1/4-20X3/4 HXHDCP	1
35	140524	NUT 1/4-20 KEP	1
36	140259	SCREW 1/4-20X5/8 HXHDCP	3
37	140016	WASHER 1/4 LCK	3
38	230946	BRACKET, TANK BRACE FRONT	1
39	120210	DECAL, TENNANT LOGO	1
40	140932	● LATCH, HOOD W/ KEEPER	2
41	140801	SCREW 8-32X3/8 TRSPHL	4
42	140023	WASHER #8 INT	4
43	140703	RIVET, POP 3/16 X .251-.375	1
44	230905	TUBE, INLET	1

▽ ASSEMBLY

▲ INCLUDED IN ASSEMBLY

● RECOMMENDED STOCK ITEMS

LOWER HOUSING GROUP



LOWER HOUSING GROUP

REF	PART #	DESCRIPTION	QTY.
1	180103	PUMP, 100 PSI 120V	1
2	140823	SCREW 10-24X5/8 TRSPHL	2
3	140506	NUT 5/16-18 HEX	4
∇4	180440	HEATER, 1700W (120V) COMPLETE	1
▲	102566	INSULATOR, HEATER	1
5	102568	STRAP, NYLON W/ ADHESIVE	1
6	101288	COVER HEATER	1
7	140918	SPACER .20X.31X1.00	2
8	100038	●GASKET VAC MOTOR	1
9	130096	TERMINAL, ML DSCNT	2
∇10	130996	●MOTOR, VAC 5.7/3 STAGE (120V)	1
▲	190157	●BRUSH,CARBON 2/PK	2
11	140308	CLAMP, HOSE 1-5/16 TO 2-1/4	2
12	160629	●HOSE 2" X 28" WHITE	1
13	140501	NUT 1/4-20 NYLK	3
14	100118	●GASKET, VAC MOTOR INTAKE	1
15	230390	HINGE, TANK	1
16	140000	WASHER 1/4 FLT	4
17	140885	SCREW 1/4-20X1/2 TRSPHL	7
18	607683	CHASSIS, TEAL	1
19	140900	SCREW 10-24X3/4 TRSPHL	2
20	140304	CLAMP	3
21	140552	NUT 10-24 NYLCK	2
22	130696	COVER, TWIST LOCK W/HOLE	1
23	140831	SCREW 6-32X5/8 RNDPHL	2
24	28675	NUT 6-32 NYLOCK	2
25	130608	RECEPTACLE, TWIST LOCK	1
26	140831	SCREW 6-32X5/8 RNDPHL	2

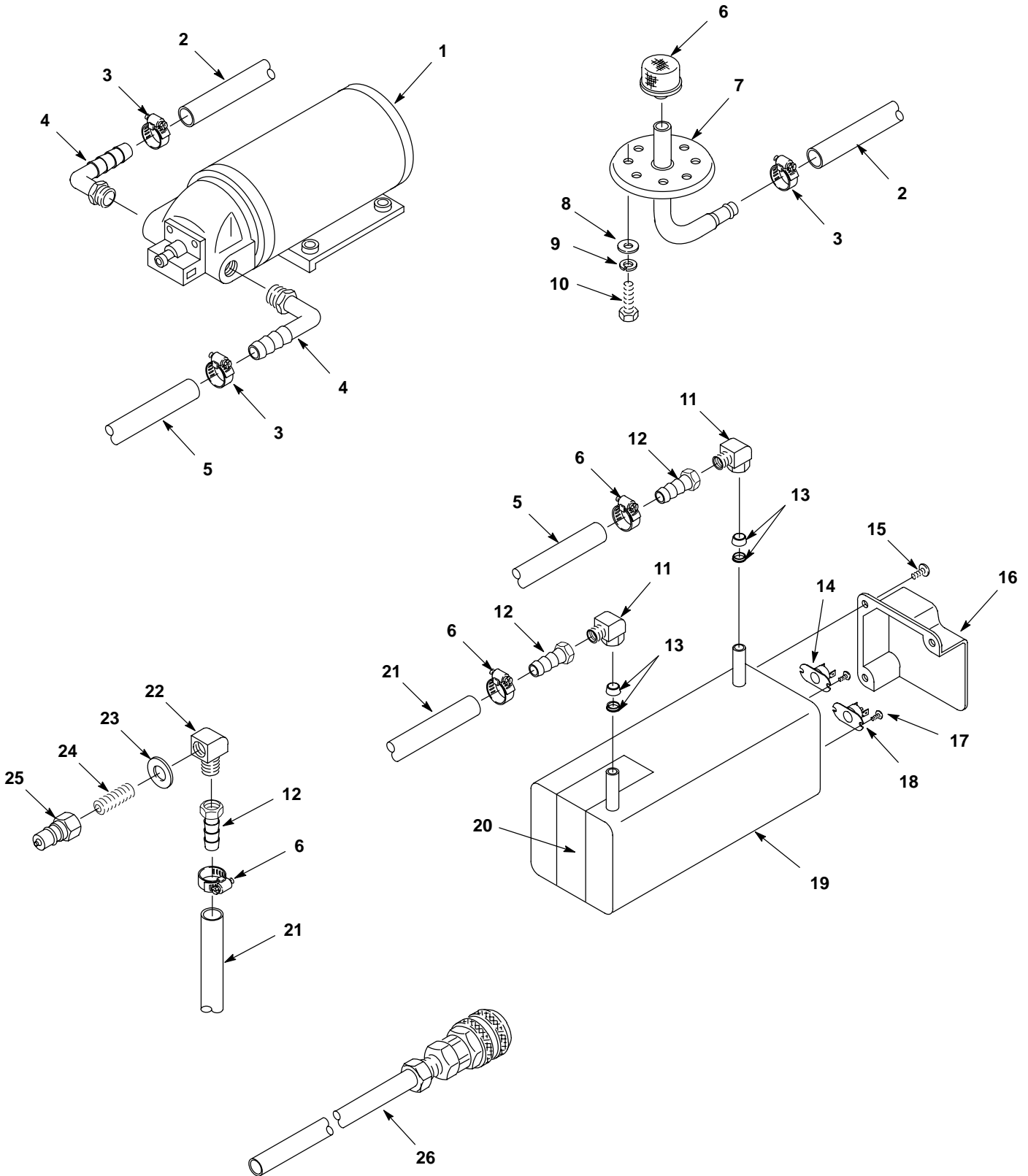
REF	PART #	DESCRIPTION	QTY.
27	140519	NUT 10-24 KEP	3
28	140196	SCREW 10-24X1 TRSPHL	1
29	230907	AXLE, 18"	1
30	140008	WASHER 1/2 FLT	4
31	103009	●WHEEL, 12" X 1.75 WHITE/GRAY	2
32	140000	WASHER 1/4 FLT	2
33	140016	WASHER 1/4 LCK	2
34	140885	SCREW 1/4-20X1/2 TRSPHL	2
35	230746	BRACKET AXLE OFFSET	2
36	140016	WASHER 1/4 LCK	4
37	140259	SCREW 1/4-20X5/8 HXHDCP	4
38	103065	●CASTER, SWIVEL 4"	2
39	140016	WASHER 1/4 LCK	8
40	140259	SCREW 1/4-20X5/8 HXHDCP	8
41	140223	SCREW 5/16-18X3/4 HXHDCP	4
42	140869	SCREW 10-24X1-3/4 PANPHL	2
43	140011	WASHER 3/16 FLT	4
44	130284	PLUG, DOME 1.00" BLACK	1
45	140932	KEEPER (PART OF LATCH)	2
46	140023	WASHER #8 INT	4
47	140801	SCREW 8-32X3/8 TRSPHL	4
48	150933	FITTING 1/4F QD PLUG BRS SER60	1
49	140823	SCREW 10-24X5/8 TRSPHL	2
50	140058	WASHER .543X.875X.062 WAND	1
51	069762005	WASHER 5/16 SPLTLCK	2
52	140015	WASHER 5/16 SPLTLCK	4
53	210240	NUT, FLANGED METAL 1-1/2 FPT	1

∇ ASSEMBLY

▲ INCLUDED IN ASSEMBLY

● RECOMMENDED STOCK ITEMS

PLUMBING GROUP



PLUMBING GROUP

REF	PART #	DESCRIPTION	QTY.
1	180103	●PUMP, 100 PSI, 120V	1
2	160195	HOSE, GRAY 3/8" X 48"	1
3	140310	CLAMP, HOSE 5/16-7/8	6
4	150412	FITTING 3/8MX3/8H ELBOW 90	2
5	52215	HOSE, GRAY 3/8" X 16"	1
6	603186	●SCREEN CLEAN WATER TANK	1
7	600452	PLATE BLADDER ASM	1
8	140000	WASHER 1/4 FLT	4
9	140016	WASHER 1/4 LCK	4
10	140259	SCREW 1/4-20X5/8	4
11	600545	FITTING 90 DEG 1/4MPTX	2
12	150511	FITTING 1/4FX3/8H BARB	2
13	600546	FERRULE S/S FOR #600545	2
14	130692	CONTROL, THERMOSTAT	1

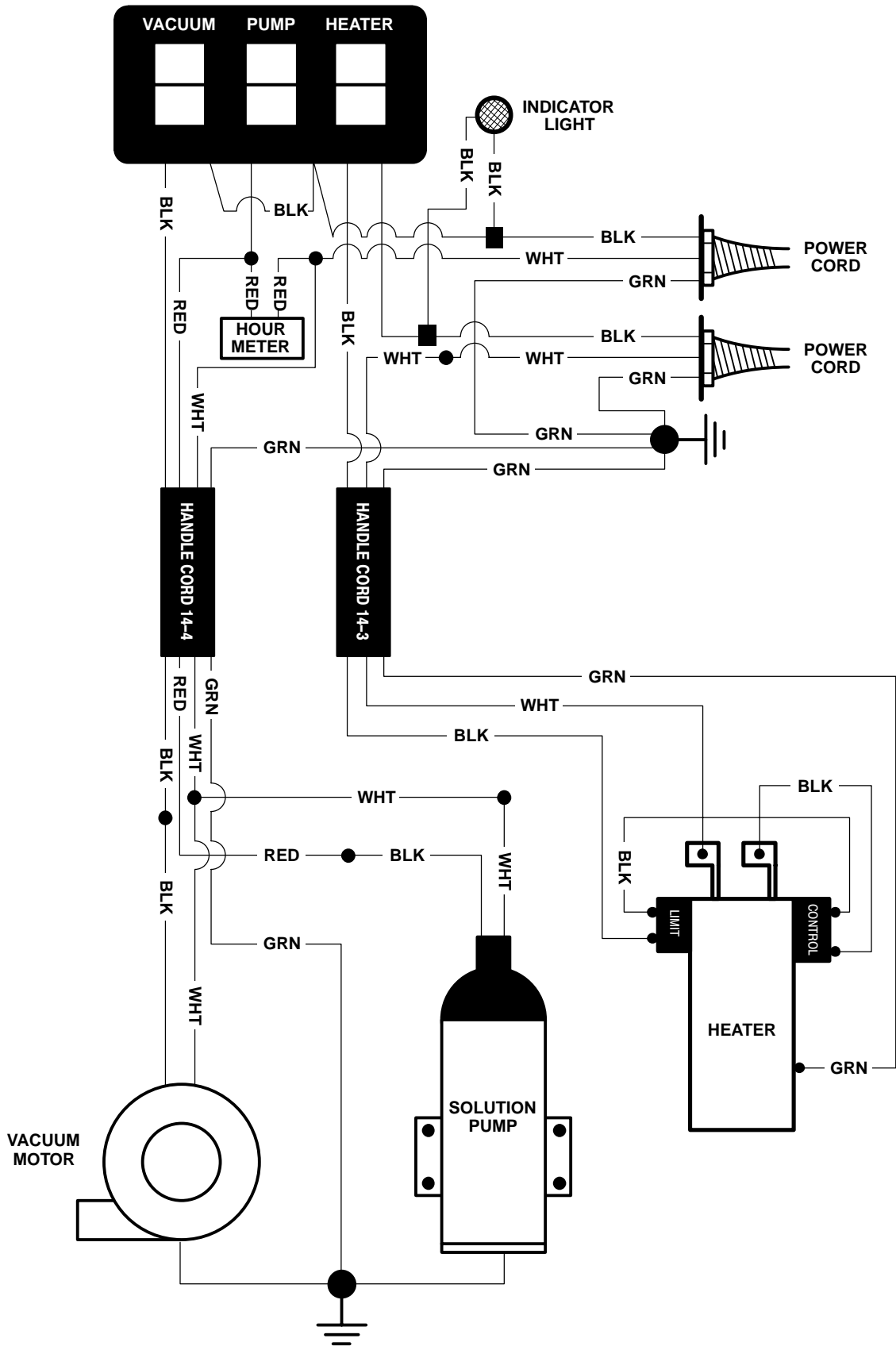
REF	PART #	DESCRIPTION	QTY.
15	140197	SCREW 10-24X3/8 TRSPHL	2
16	101288	COVER HEATER	1
17	6032.6	SCREW 8-32X3/8 PANPHL	4
18	130693	LIMIT, THERMOSTAT	1
▽19	180440	●HEATER, 1700W (120V) CMPLT	1
▲	102566	INSULATOR, HEATER	1
20	102568	STRAP, NYLON W/ ADHESIVE	1
21	52215	HOSE, GRAY 3/8" X 16"	1
22	150406	FITTING 1/4MX1/4F ELB STRT90	1
23	140058	WASHER .543X.875X.062 WAND	1
24	150615	FITTING 1/4M NIPL-CLOSE	1
25	150933	●FITTING 1/4F QD PLUG SER60	1
26	700141	●HOSE, BLEEDER SERIES 60	1

▽ ASSEMBLY

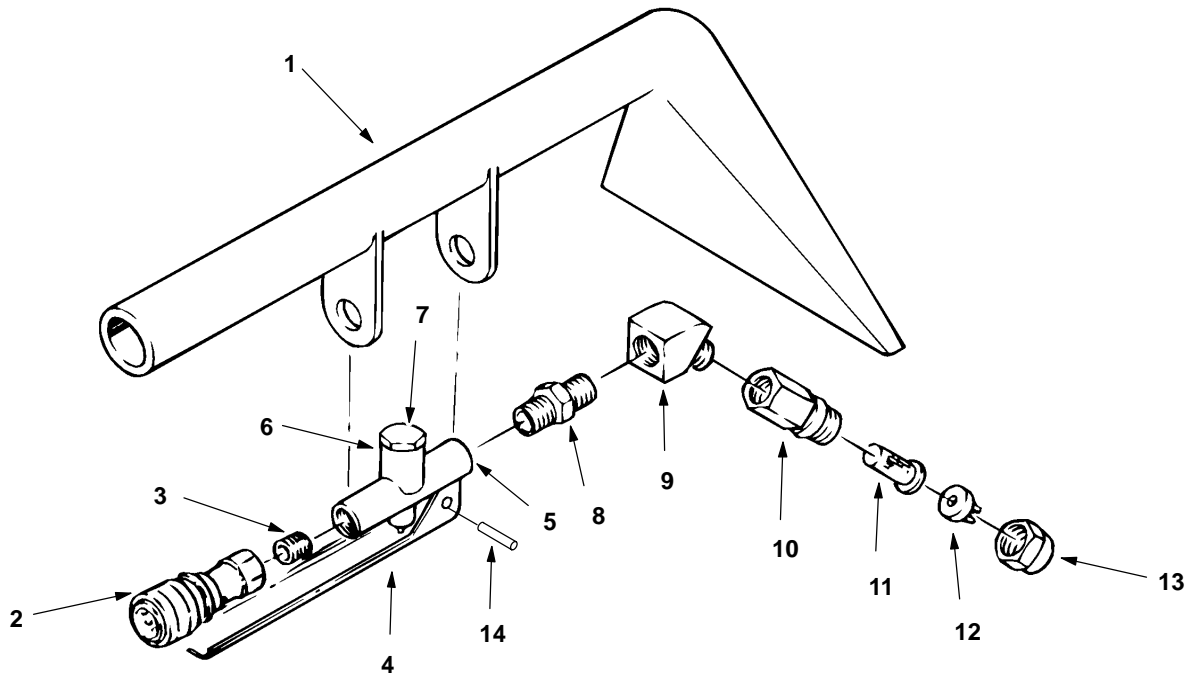
▲ INCLUDED IN ASSEMBLY

● RECOMMENDED STOCK ITEMS

120V Wiring



127 mm (5 in) UPHOLSTERY TOOL ASSEMBLY

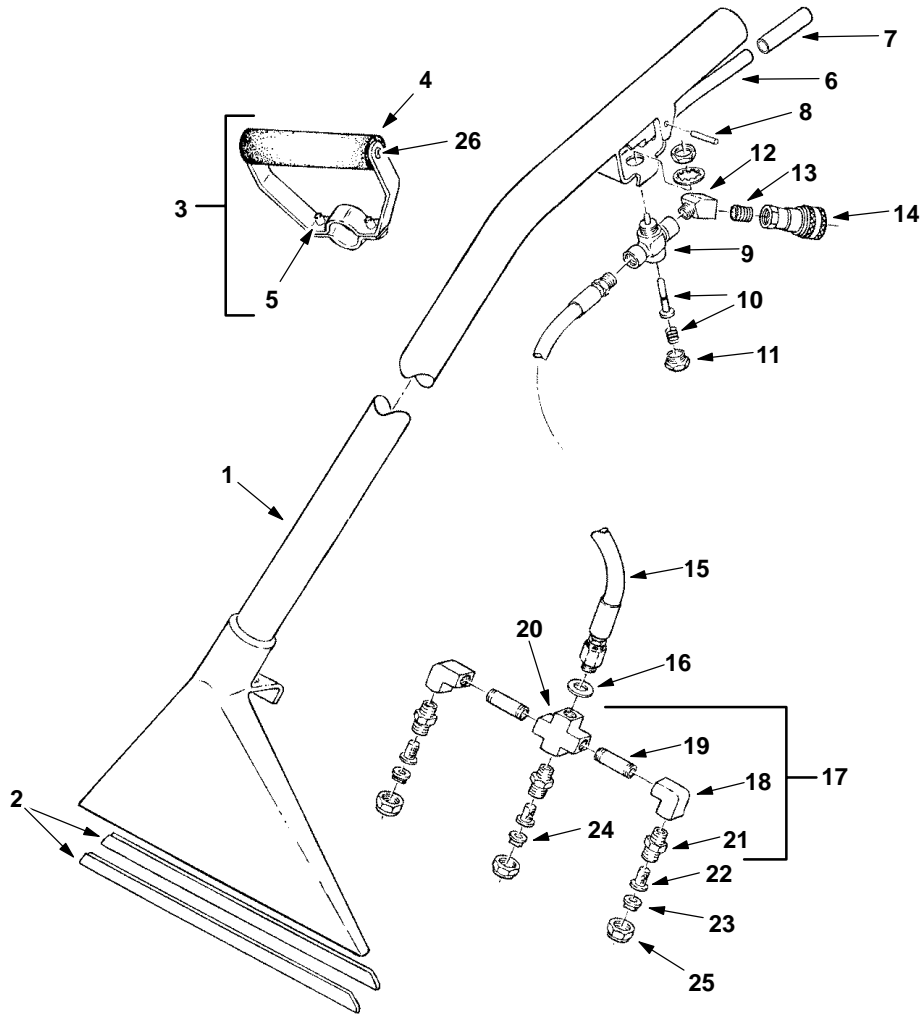


REF	PART #	DESCRIPTION	QTY.
	200505	TOOL, 5" HAND (COMPLETE)	1
1	200431.BK	TOOL, 5" HAND	1
2	150913	COUPLER, QUICK, SER. 60	1
3	150615	NIPPLE, CLOSE	1
4	200905	LEVER, K-VALVE W/PIN	1
5	210210	VALVE, FLOW CONTROL	1
6	190600	VALVE PIN & SPRING (NOT SHOWN)	1
7	210148	CAP, HEX, VALVE	1

REF	PART #	DESCRIPTION	QTY.
8	150606	NIPPLE, HEX 1/4"	1
9	150403	ELBOW, ST 1/4" 45°	1
10	200992	BODY, SPRAY 1/4"F	1
11	200996	SCREEN, SPRAY BODY	1
12	200965	TIP, BRASS #8002	1
13	200994	CAP, SPRAY BODY	1
14	140609	PIN, ROLL 3/16 X 9/16	1

OPTIONAL ACCESSORIES

LOW PRESSURE FLOOR TOOL ASSEMBLY



REF	PART #	DESCRIPTION	QTY.
	600048	TOOL, 13" FLOOR (COMPLETE)	1
1	200403.BK	TOOL, 13" FLOOR	1
2	200939	SHOES, FLOOR TOOL	2
3	200927	GRIP, ADJUSTABLE COMPLETE	1
4	200910	FOAM, GRIP	1
5	140210	SCREW, 1/4 X 3/4	2
6	200902	TRIGGER, FLOOR TOOL	1
7	200809	SLEEVE, TRIGGER	1
8	140605	PIN	1
	140520	NUT, PUSH	2
9	210150	VALVE, FLOW CONTROL	1
10	190603	KIT, VALVE PIN & SPRING	1
11	N/A	CAP, HEX, VALVE	1
12	150403	ELBOW, 1/4-45°	1
13	150615	NIPPLE, CLOSE 1/4	1

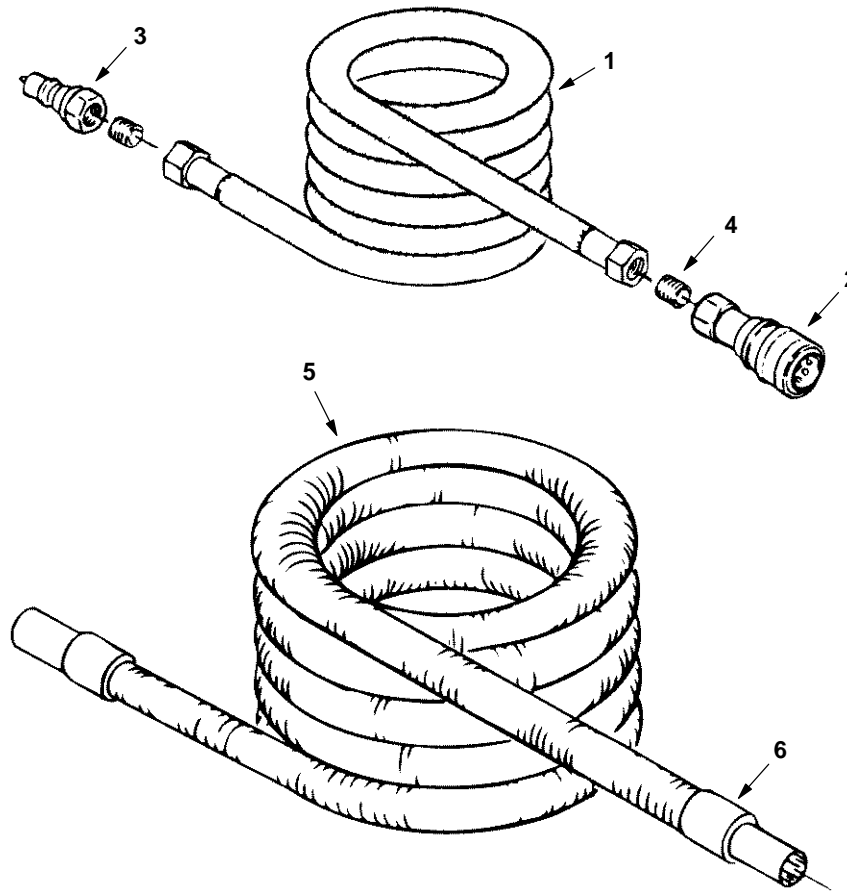
REF	PART #	DESCRIPTION	QTY.
14	150913	COUPLER, QUICK SER. 60	1
15	160170	HOSE, 1/4 HP W/ SWEDGE	1
16	140058	WASHER	1
∇17	700062	ASM., SPRAY BAR	1
▲18	150401	ELBOW, 90° 1/4F X 1/4F	2
▲19	150600	NIPPLE	2
▲20	150700	CROSS	1
▲21	200993	SPRAY BODY	3
22	200996	SCREEN, SPRAY BODY	3
23	200986	TIP, SPRAY (#9502)	2
24	200988	TIP, SPRAY (#11002)	1
25	200994	CAP, SPRAY BODY	3
26	140834	SCREW, 1/4-20 X 5/8	2

∇ ASSEMBLY

▲ INCLUDED IN ASSEMBLY

N/S NOT SHOWN

SOLUTION AND VACUUM HOSES



REF	PART #	DESCRIPTION	QTY.
▽1	160186	SOLUTION HOSE 25'	1
▲2	150913	COUPLER, QUICK SER. 60	1
▲3	150933	PLUG, QUICK COUPLER	1
▲4	150615	NIPPLE	2
▽5	160401	HOSE, VACUUM W/ CUFFS 25'	1
▲6	160430	CUFF, HOSE 1-1/2"	2
N/S	160451	CONNECTOR, VAC HOSE 1-1/2"	1

▽ ASSEMBLY

▲ INCLUDED IN ASSEMBLY

N/S NOT SHOWN