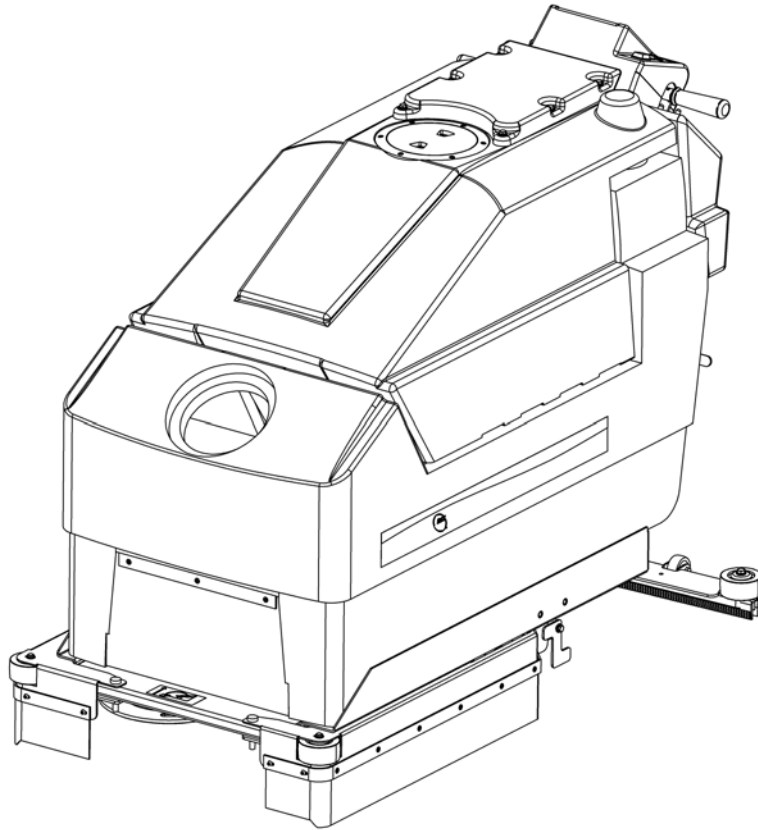


OPERATION MANUAL


WRANGLER 2625 DB


Original Instructions Instructions D'origine





WRANGLER 2625 DB


IMPORTANT SAFETY INSTRUCTIONS

 **WARNING:** Failure to observe these instructions can cause personal injury to machine operator or bystanders

 **WARNING:** Fire or explosion hazard. **NEVER** operate this machine in an explosive atmosphere (grain dust, flammable liquids or fumes, etc.).

 **WARNING:** Orange Oil (D-limonene) is not compatible with the plastics used in NSS automatic scrubbers and the Sidekick Chemical Metering System. Use of D-limonene may result in damage to the machine.

 **WARNING:** Fire or explosion hazard. **NEVER** attempt to pick up flammable or combustible materials or use such materials in tank.

 **WARNING:** This product contains a chemical known to the state of California to cause cancer and birth defects or other reproductive harm.

INTENDED USE

This machine is intended for commercial use, scrubbing floors in an indoor environment. NSS does not recommend using this machine for any other purpose.

FOR SAFETY:

- **ALWAYS** read and understand all instructions before operating or servicing machine.
- **ALWAYS** use this machine **ONLY** as described in this manual.
- **NEVER** attempt to operate this machine unless you have been trained in its operation.
- **NEVER** allow an untrained person to operate this machine.
- **NEVER** attempt to operate this machine if it is not working properly or has been damaged in any manner.
- **NEVER** disconnect or modify any switches or safety devices (circuit breaker).
- **NEVER** drop or insert any object into any machine opening.
- **NEVER** operate this machine with any air opening blocked. Keep all air openings free of dust, lint, hair, etc.
- **NEVER** pick up anything that is burning or smoking, such as cigarettes, matches or hot ashes.
- **NEVER** spray this machine with water or any liquids.
- **NEVER** allow the vacuum motor or battery-charging plug to get wet or a short may occur.
- **NEVER** operate this machine when the battery charger is plugged in.
- **NEVER** operate this machine with the side skirt removed.
- **NEVER** allow this machine to be used as a toy. Close attention is necessary when used by or near children.
- **ALWAYS** wear clean tennis shoes or "non-slip" shoes. Leather soled shoes will become extremely slippery when wet.
- **ALWAYS** keep face, fingers, hair or any other body part or loose clothing away from any machine opening or moving part (revolving brush, pad driver, or vacuum motor).
- **ALWAYS** turn the machine off when attaching pads or brushes.
- **ALWAYS** remove keys when this machine is left unattended.
- **ALWAYS** be sure that the ramp is secured to the vehicle before attempting to load/unload.
- **ALWAYS** use extreme caution when operating the machine on a ramp or loading/unloading this machine into or out of a truck/trailer. Use extreme caution if the ramp is wet, oily, or covered with cleaning chemicals.
- **NEVER** stop or turn the machine on a ramp or incline.
- **NEVER** attempt to climb a grade or operate this machine on a ramp or incline of more than 8°.
- **NEVER** park or store the machine near a dock, on ramps, near a furnace, boiler, open flame, or other high heat source.
- **NEVER** allow this machine to freeze.
- **NEVER** expose the machine to rain, snow, or extreme temperatures.
- **NEVER** store any items on this machine.
- **ALWAYS** store this machine indoors in a dry, cool area.

ALL REPAIR SERVICE MUST BE PERFORMED BY AN NSS AUTHORIZED DISTRIBUTOR/ SERVICE STATION USING ONLY NSS ORIGINAL EQUIPMENT PARTS.



SAVE THESE INSTRUCTIONS

IMPORTANT SAFETY INSTRUCTIONS

BATTERY POWERED EQUIPMENT WITH ON BOARD CHARGERS



WARNING: Failure to observe these warnings can cause personal injury to machine operator or bystanders



Read and understand all instructions before installing or charging batteries.



No smoking, open flames, or sparks while working with batteries.



Contains acid. Avoid contact



Poison. Causes severe burns. Avoid contact.



WARNING: Batteries emit hydrogen, which can cause fire or explosion. **NEVER** smoke, light a match, or cause a spark during operation or charging. **ALWAYS** charge in a well-ventilated area away from open flame.

GENERAL

- **ALWAYS** read and understand all instructions before installing or charging batteries.
- **NEVER** attempt to install or charge batteries unless you have been trained to do so.
- **NEVER** allow an untrained person to install or charge batteries.
- **ALWAYS** remove all jewelry when working on or near the batteries.
- **ALWAYS** turn off all switches during installation and service.
- **ALWAYS** disconnect the battery leads before performing any service or repair.
- **ALWAYS** wear eye protection and protective clothing to avoid contact with battery acid.
- **NEVER** lay anything on top of batteries as arcing may occur.
- **IF CONTACT WITH BATTERY ACID OCCURS,** follow these instructions:
 - SKIN – rinse area with water.
 - EYES – Flush with water for 15 minutes.
 - INTERNAL – Drink water or milk. Follow with Milk of Magnesia, beaten egg or vegetable oil. Call a physician immediately.

BATTERY INSTALLATION

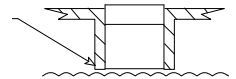
- **ALWAYS** use two people to install, as batteries are heavy.
- **ALWAYS** turn off all machine switches.
- **ALWAYS** position batteries as shown on the machine installation decal to maintain machine balance.
- **ALWAYS** connect batteries as shown on the machine installation decal to avoid shorting out the batteries and the electrical system.

BATTERY CHARGING

- **ALWAYS** read instructions carefully.
- **ALWAYS** use the NSS supplied charger with proper voltage rating.

For lead acid batteries only, (does not apply to maintenance free batteries).

- **ALWAYS** check to ensure the battery water level covers the battery plates before charging.
- **ALWAYS** check water level after charging and add distilled water if necessary to bring level to the bottom of the fill hole.
- **NEVER** overfill batteries as battery and machine damage may result.
- **ALWAYS** wipe any acid from the top of batteries using a soap solution.
- **ALWAYS** reattach caps to batteries. Do not charge with caps loose or removed.
- **ADD** only distilled water.



For all types of batteries.

- **NEVER** charge a frozen battery.
- **ALWAYS** plug the charger into an earthed socket outlet.
- **NEVER** touch uninsulated portion of charger output connector or uninsulated battery terminal.
- **ALWAYS** disconnect the AC supply before making or breaking the connections to the battery while charging.
- **NEVER** operate charger if the AC supply cord is damaged or if the charger has received a sharp blow, been dropped, or otherwise damaged in any way.

ALL REPAIR SERVICE MUST BE PERFORMED BY AN NSS AUTHORIZED DISTRIBUTOR/ SERVICE STATION USING ONLY NSS ORIGINAL EQUIPMENT PARTS

IMPORTANT SAFETY INSTRUCTIONS

GROUNDING OF ELECTRICAL EQUIPMENT - BATTERY CHARGER



WARNING: Improper connection of the equipment-grounding conductor can result in a risk of electric shock. Check with a qualified electrician or service person if you are in doubt as to whether the outlet is properly grounded. Do not modify the plug provided with the charger. If outlet is not suitable for safe use; have a properly grounded outlet installed by a qualified electrician.

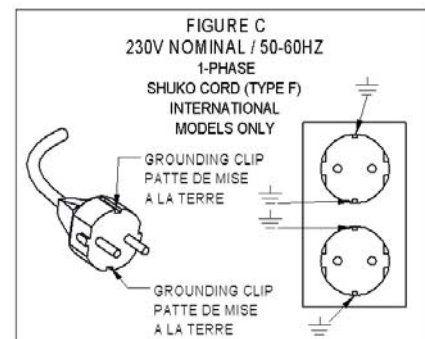
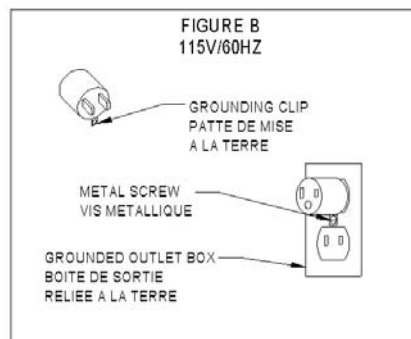
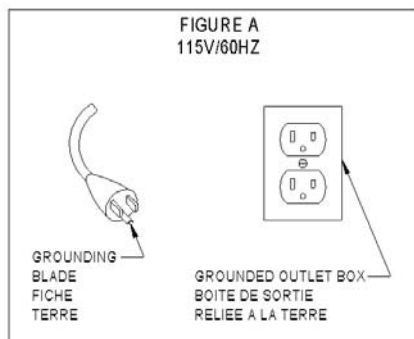
Always use a properly grounded 3-wire extension cord, which has male and female plugs. If 25 foot [7.6m] extension cords are used, the electrical carrying capacity should be no less than 14-3 ST, 50 foot [15.2m] extension cords no less than 12-3 ST

GROUNDING INSTRUCTIONS

This charger shall be grounded while in use to protect the operator from electric shock. The charger is provided with a three-conductor cord and a three-contact grounding type attachment plug. The plug must be plugged into an appropriate outlet that is properly installed and grounded in accordance with all local codes and ordinances. The green conductor in the cord is the ground wire. Never connect this wire to other than the grounding pin of the attachment plug.

Check nameplate on the charger to be sure **voltage** and **cycle** stated is the same as the electrical outlet. Do not attempt to plug a 120-volt charger into a 240-volt outlet or a 240-volt charger into a 120-volt outlet. If the cord provided with the charger has an attachment plug as shown in Figure A. below, it is intended for use on a nominal, 120-volt circuit. If a properly grounded receptacle as shown in Figure A is not available, an adapter may be installed as shown in Figure B if the outlet box that houses the receptacle is grounded. Be sure to fasten the grounding tab (the green colored rigid ear, lug or the like extending from the adapter) with a metal faceplate screw.

If the cord provided with the charger has an attachment plug as shown in Figure C, it is intended for use on a nominal 240-volt circuit (single phase only). Changes to the attachment plug or use of adaptors to other plug types must be done in accordance with local regulations.



NOTE: In Canada, the use of a temporary adaptor may not be permitted by Canadian electrical code.

ALL REPAIR SERVICE MUST BE PERFORMED BY AN NSS AUTHORIZED DISTRIBUTOR/ SERVICE STATION USING ONLY NSS ORIGINAL EQUIPMENT PARTS.

SAVE THESE INSTRUCTIONS

NOISE AND VIBRATION

NOISE

Sound pressure level at Operator position (ISO 11201) 80 dB(A)

VIBRATION

Weighted RMS acceleration value (ISO 5349) .281 m/s²

MACHINE INSPECTION

- Now that the machine is unpacked remember to recycle all packing materials.
- Inspect machine for damage or missing components. If damage is found, contact the local freight company to file a freight claim.

MACHINE COMPONENTS

Solution Tank

The solution tank is the lower part of the machine body. It has a capacity of **25 gallons (95 liters)**.

- The amount of water in the tank is measured by the solution gage, which is located in the clear plastic tube at the right rear corner of the tank. This tube is also used to empty the tank.

Recovery Tank

The recovery tank is the upper part of the machine body. It has a capacity of **27 gallons (102 liters)**.

- The recovery tank is closed by a round, clear view lid assembly.
- The recovery tank has a foam sensitive float shut-off assembly. As the water level rises, the float ball will rise into the tube and shut off the airflow of the vacuum. NOTE: The float shut-off assembly does not shut off the vacuum motor.

Operator Control Panel

The operator control panel is located at the upper rear area of the machine. This panel has components that control various machine functions.

- In the middle of the panel are two (2) rubber twist grips. These grips rotate forward and backward to control the direction and speed of the machine. The farther the grips are rotated, the faster the machine will move. These twist grips have a feature that returns the machine to the neutral position when the handles are released.
- The first *toggle* switch on the left turns on and off the brush motor.
- The next *toggle* switch turns on and off the vacuum motor.
- The red button is the master power switch; it controls the power to all components. *Power ON is indicated by the green light.*

Sidekick Chemical Dispensing (optional)

- On board chemical dispensing is available either factory installed, or as a retrofit kit.
- Controls for chemical dispensing are located on the Operator Control Panel.

Battery Meter

The battery meter is located on the right side of the operator control panel and shows the state of charge of batteries during operation and recharge.

The battery meter is equipped with a relay that will open, turning off the machine, when the battery voltage has dropped to its lowest permissible level.

- When the batteries are fully charged, all of the LED's are illuminated.
- As the batteries discharge, the LED's start to turn off, one at a time, from right to left.
- When the last yellow LED on the left starts blinking, there is only a few minutes of runtime left before the machine is automatically turned off. NOW is the time to turn off the brushes and vacuum motor, and drive to the battery charging area.

Hour Meter

The hour meter is located on the left rear of the machine. It shows the total working time of the scrub brushes.

Solution Control (Valve) Lever

The solution control lever is located in front of the right hand twist grip. This lever controls the solution valve and the amount of liquids put on the floor when cleaning.

- Pull up on the handle to open the valve.
 - Valve must be opened more than 50% for ~15-20 seconds to prime the lines.
- Push down on the handle to close the valve.

Solution Solenoid Valve

The solution solenoid valve is an automatic valve that turns on the solution flow when the brushes are on and the machine is moving. It is located on the frame under the left rear corner of the machine.

Rear Panel

- The left circuit breaker is for the drive motor and is rated at 15 amps.
- The next circuit breaker is for the vacuum motor and is rated at 30 amps.
- The two circuit breakers on the right are for the brush motors and each is rated at 35 amps. The right lift arm is used to raise and lower the brush motor assembly.
- The left lift arm is used to raise and lower the squeegee assembly.
- The right lift arm is used to raise and lower the brush assembly. This arm has three down positions: float, medium pressure, and heavy pressure.

Battery Compartment Drain Hose

This hose is located below the battery-charging plug and behind the squeegee lift arm. The hose uses a pinch clamp to hold the hose closed. This hose collects any spilled liquids from the battery compartment area.

- Inspect hose for liquid level on a weekly basis.
- Dispose of liquids according to local and federal regulations.

Solution Filter Assembly

Attached to the intake of the solution solenoid valve is a filter assembly design to stop debris from *entering the solution valve.*

If the water and chemical stops flowing:

- There is a metal filter screen *inside the canister strainer – unscrew the canister from the base* (by hand), remove and clean the screen. Reinstall. Check for any liquid leaks.

Drive Motor

- This machine is powered forward and reverse by a 24-volt drive motor.
- The speed is electronically controlled for smooth increase and decrease of speed.
- The motor moves the drive wheels through a gearbox and transaxle system.
- This motor has carbon brushes that must be serviced on a regular basis. The carbon brushes have an expected life of 2,000 operating hours. Refer to the maintenance section later in this book.

Brush Gear Motor

This machine has two (2) 24-volt brush motors located at the front of the machine. The motors are attached to a gearbox to turn the pad drivers or brushes.

- The left motor rotates *clockwise*.
- The right motor rotates *counterclockwise*.
- These motors have carbon brushes that must be serviced on a regular basis. The carbon brushes have an expected life of 2,000 operating hours. Refer to the maintenance section later in this book.

Vacuum Motor

This machine has a 24-volt vacuum motor.

- The vacuum motor is enclosed in the body of the control panel behind the metal plate.
- This motor has carbon brushes that must be serviced on a regular basis. The carbon brushes have a maximum expected life of 700 operating hours. Refer to the maintenance section later in this book.

Squeegee Assembly

The squeegee assembly is available in both straight and curved. The straight squeegee uses a dual (2) Linatex blade system. The “curved” squeegee has a Linatex rear blade and neoprene front blade.

Side Skirt Assemblies

The machine is equipped with left and right side skirt assemblies. The side skirt assemblies are designed to contain the liquids in the cleaning area *under the machine* and channel them toward the squeegee, and prevent splashing *outside of the machine*.

Battery Package

The Wrangler 26 is a 24 volt system and is available with one battery package:

Four (4) 6 volt, 235 Amp Hour (Flooded) Batteries. Consult your local NSS authorized distributor for application recommendations.

Preparing the machine

To install the batteries:

- Turn off all switches and tilt the recovery tank open to expose battery compartment.
- Batteries are heavy - use two people to install.

- Refer to wiring diagram inside the battery compartment. Align batteries in compartment as shown on diagram.
- Install battery cables as shown on wiring diagram.
- Tighten bolts and hex nuts with a wrench.

Caution: Do not touch two terminals with a wrench.

- Loose or improper battery connections will cause battery or machine damage and possible personal injury.

Charge the batteries before use!

Battery Charging

- To recharge the batteries plug the charger cord, located at the rear of the machine, into an electrical outlet (100/115/230 50/60HZ VAC).

CAUTION: Make sure the battery type LED on the charger matches the type of battery installed in your machine! EXCEPTION-TROJAN AGM'S TO BE CHARGED WITH GEL SETTING.

- When the cord is plugged into an outlet the machine will become disabled.

See Battery Charger section for more details.

Prepare the solution and recovery tanks:

- **Never** use water over *140° F (60° C)* degrees. Excessively hot water may damage components such as the tanks.
- Put 1 to 2 gallons [3.8L to 7.6L] of clean water into the solution tank first to help dilute the chemicals and prevent excess sudsing. Dilute the cleaning chemicals according to the manufacturer's instructions.
- Fill the tank by pouring the water and cleaning chemicals through the round mesh filter that covers the opening at the front of the solution tank.
- Make sure the drain plug of the recovery tank is closed tightly and in its holding clip.
- **Always** use a defoamer to protect the vacuum motor.
- Consult your local distributor for complete chemical advice.

To install a pad driver and pad:

- There is a wide range of pads or brushes available for the many cleaning applications. Consult your local NSS authorized distributor for application recommendations.
- Turn the pad drivers upside down on the floor and remove the pad holding cup.
- Remove the center cutout of the 13" (33 cm.) pad. Place the pad on the face of the pad driver.
- The pad **must** be centered on the driver to prevent wobbling or bouncing.
- Install and secure the pad holding cup to the pad driver. Turn the pad driver over so that the pad faces the floor.
- Raise the brush motors into the transport position.
- Align the lugs of the pad driver with the slots of the drive casting.
- Turn the lug of the pad driver toward the latch; close the latch around the lug to lock onto the drive casting.

To install a brush:

- Raise the brush motors into the transport position.
- Align the lugs of the brush with the slots on the drive casting.
- Turn the lugs of the brush toward the latch; close the latch around the lug to lock onto the drive casting.

To install the squeegee assembly:

- Place the squeegee lift arm in the storage (up) position.
- The squeegee assembly mounts to a metal bracket at the bottom center of the machine, using two (2) mounting knobs. Loosen the mounting knobs and slide the squeegee assembly onto the mounting plate.
- The squeegee assembly has two (2) small wheels to prevent “rollover” while in reverse. The roller wheels must face the operator. Hand-tighten the mounting knobs. **Do not** use pliers to tighten knobs, as this will defeat the “break-away” design.
- **Do not** add any weights or other pressure to the squeegee mechanism. This will not improve the performance and will shorten the life of the blades.
- It is recommended that, with new blades, the rear wheels be adjusted to their lowest position. Loosen the two screws on the bracket rotate the bracket downward as far as it will go, then tighten the screws. Perform this adjustment on both wheels/brackets.
- When the squeegee becomes worn, and the wiping edge no longer contacts the floor properly, further use may be possible by adjusting the rear wheels upward enough to restore proper engagement of the blades wiping edge with the floor. Be sure to adjust the wheels back down fully when a new blade is installed.

To install the side skirts:

- Position the skirts at the left/right side of the machine.
- Remove the skirt retaining pins from the mount bracket.
- Align the side skirt holes with mount bracket holes, insert and secure retaining pins. Close side skirts around machine and secure with skirt latch.

Prepare the Sidekick Chemical dispenser (if equipped)

*****CAUTION: Purging the Sidekick lines may dispense a small amount of the chemical directly onto the floor. If using wax stripper or harsh chemicals, be sure to purge the lines in an area that cannot be damaged by the chemical in use.**

- Place a container filled with the desired cleaning chemical into the bottle holder located at the front of the machine.
 - The bottle holder accepts F-style rectangular containers, and some smaller round containers.
 - Empty F-style containers are available from NSS, order part #9590171.
- Ensure all hose fittings are tight, then insert the suction tube into the chemical bottle, and tighten the cap.

- Turn on the Scrubber then press the ON button on the Sidekick. The ON indicator will illuminate.
- Press and hold the PURGE button on the Sidekick until you see the supply line to the pump filled with the chemical.
- Select the desired dilution ratio as recommended by the chemical manufacturer.
- The Sidekick Chemical dispenser is ready for use.

Operating the Machine

The Wrangler 26 has the brush motors offset to the right side of the machine. This offset allows you to clean the edge of the floor or obstructed areas (walls or shelving) with the right side of the machine.

Normal Cleaning

- Sweep and dust mop the floor to remove dirt and debris before scrubbing. Accumulations of dirt or debris on the floor will reduce cleaning performance.
- You may also need to pre-clean some types of spills or stains before scrubbing.
- Plan your work so that you make long, straight paths with the fewest amount of turns possible, overlapping each cleaning path about 2 in. (5 cm.) to prevent streaking and dirty areas.
- Move machine to area to be cleaned.
- Place warning signs “Wet Floor” in area.
- Turn on master switch.
- Turn on brush and vacuum motor switches.
- Place brush motors and squeegee assembly in operating position on floor.
- Fully open the solution valve handle for about 10-20 seconds to prime the solution lines and then adjust the liquid flow to the desired level.
- Watch the level of liquid in the recovery tank and listen for the float shut-off to change the sound of the vacuum motor. When the vacuum airflow stops, you must turn off the vacuum motor and then empty the recovery tank.
- Take the machine to an approved disposal drain and turn off all switches.
- Raise the rubber flap at the front of the Wrangler and pull out the flexible rubber drain hose.
- Raise the end of the hose above the level of the recovery tank, loosen and remove the hose drain plug. Carefully lower and direct the drain hose into the drain.
- When the recovery tank is empty, replace and tighten the drain plug. Place the drain hose back into the machine and secure the plug end in the clamp. Do not obstruct the lift mechanism or brush motors.

Special Cleaning

The Wrangler may be used to perform special cleaning jobs other than “normal” scrubbing.

Double Scrubbing

- This procedure provides deeper cleaning on heavily soiled floors. One or more cleaning passes are made before picking up the chemicals with the squeegee. Best results are achieved by placing the brush motors in the heavy scrub position.

Caution: The floor surface becomes extremely slippery in this operation. The Wrangler should be operated only in low to medium speed and great care should be taken when walking on this wet surface.

Stripping

- This procedure is used to remove moderate build-up of floor finish from the floor. The most aggressive pads or grit brushes are used in this procedure.
- The stripper solution is applied to the floor with a mop and then double scrubbed as above. Stripping solution should not be put into the solution tank. Clean water from the solution tank is applied to the floor to keep the chemicals and finish in a "liquid" condition. The floor surface becomes extremely slippery in this operation. The Wrangler should be operated only in low to medium speed and great care should be taken when walking on this wet surface.
- If equipped, the scrubber may be used to apply the wax stripper using the Sidekick Chemical dispenser. Set the dilution ratio to the rate recommended by the chemical manufacturer. If the wax stripper you are using requires dilutions stronger than 20:1, then you will need to apply the stripper with a mop.
- After applying the stripper, thoroughly purge the Sidekick Chemical dispenser lines with clean water to remove all traces of wax stripper. Purge the lines while the scrub brushes are positioned over a floor drain. **Purging the Sidekick's lines will dispense chemical thru the scrub pads and onto the floor.**

Sidekick Chemical Dispenser Operation

*****CAUTION: Purging the Sidekick lines may dispense a small amount of the chemical directly onto the floor. If using wax stripper or harsh chemicals, be sure to purge the lines in an area that cannot be damaged by the chemical in use, such as over a floor drain.**

See **Preparing the Machine** for instructions on how to connect the chemical bottle, and purge the lines.

After proper connection of the chemical supply line and purging, the Sidekick Chemical Dispenser provides fully automatic chemical dilution during scrubbing operations. The Sidekick measures the amount of water flowing out of the solution tank, and pumps the correct amount of chemical into the water line to provide the ratio of water to chemical according to the dilution ratio selected on the control panel.

The pump will not operate unless water is flowing from the solution tank (except when the purge button is pressed). This means the Solution Control valve must be on, and the brushes must be spinning.

Basic Operation

- Turn on the Scrubber.
- Turn on the Sidekick Chemical Dispenser.

- Select the desired dilution ratio by pressing the Select Dilution button until the light next to the desired ratio is illuminated.
- The scrubber can be turned off, and when the scrubber is turned back on, the Sidekick will recall the last dilution setting.
- During use, the Purge button may be pressed to provide an extra dose of chemical for heavily soiled areas (always follow chemical manufacturer's usage directions).

To Change Chemicals

- Loosen the cap on the chemical bottle, and remove the suction line from the chemical bottle.
- Dispose or store any remaining chemical according to local and federal regulations.
- Place the suction line into a container of clean water.
- With the machine over a floor drain, press and hold the purge button until the clean water is drawn thru the pump and dispensed at the brushes.
- Remove the suction line from the container of clean water. Replace the container of clean water with a container of the desired chemical, and install the suction line.
- Press and hold the Purge button until chemical is seen being drawn up to the pump, and pumping down the tube from the pump to the tee fitting below the machine.
- **After each use, always flush the Sidekick lines with clean water** to prevent dried chemical from accumulating in the lines.

MACHINE MAINTENANCE

Routine maintenance is critical to ensure proper machine operation and cleaning performance. Perform all maintenance procedures as follows.

Always turn OFF all machine switches before performing any maintenance.

To adjust the squeegee assembly:

- Turn the vacuum motor ON and open the water valve slightly.
- Squeegee blades should lay over slightly (like a window squeegee) when the machine is moving.
- If adjustment is required adjust the blade angle by turning the wing nut (or knob) on the pivot arm clockwise or counterclockwise.

To adjust side skirt wiper blades:

- Install the side skirts on the machine.
- Loosen the retaining strip screws.
- Pull down evenly on the entire length of wiper blade so that it firmly touches the floor.
- Tighten all screws and test run machine for splashing under the blades.
- **DO NOT** adjust blades too low, as it will cause damage and excessive wear to the blades.

To replace side skirt wiper blades:

- Remove the side skirt assembly from the machine.
- Remove the retaining strip and screws.
- Remove the old wiper blade and replace with a new blade.

- Replace the retaining strip and screws; do not tighten.
- Pull down evenly on the entire length of wiper blade so that it firmly touches the floor.
- Tighten all screws and test run machine for liquid splashing under the blades.
- DO NOT adjust blades too low, as it will cause damage and excessive wear to the blades.

Sidekick Chemical Dispenser

- Purge the lines with clean water after each use.
- The squeeze tube under the see-through cover on top of the pump requires periodic replacement approximately every 500 hrs (depending on chemicals used).
- To replace the squeeze tube:
 1. Remove ferrule nuts from pump
 2. Unscrew pump cover, exposing the squeeze tube.
 3. Remove damaged squeeze tube and replace with new squeeze tube.
 4. A screwdriver can be inserted in the spinner hub and rotated as the tube is being replaced to ease insertion. It is important not to twist the tube as it is being inserted and the fittings should be inserted "flat side up"
 5. Add grease from the included packet.
 6. Reinstall cover and resume normal operation.

Daily Maintenance

- You must recharge the batteries when indicated by the battery meter, and after every use. Read the battery meter while the machine is in use.
*235 AH batteries require 8-12 hours to fully charge.
- **NEVER** let the batteries sit overnight after the machine has been run for more than 1 hour since last recharge.
- See Battery Charger section.

Battery Electrolyte (Liquid) Level (Flooded only)

Inspect the electrolyte level of at least one cell in each battery before charging. The liquid must be visible above the internal plates. Do not charge the batteries if the liquid is below the plates.

- **NEVER** let the electrolyte level fall below the tops of the plates. This will damage the batteries immediately, and void the warranty.
- Add only distilled water to the cell of a battery to adjust the liquid level. **Do not** use well or tap water. Before charging, add only enough water to ensure the top of the plates are covered. After charging, add only enough water to bring the level to the bottom of the fill tube.
- **Do not** overfill the battery liquid level, this will cause electrolyte (acid) spill. Spilled electrolyte (acid) can cause machine damage and personal injury. Clean up and dispose of all spills immediately.
- See the battery-warning sheet (page 3) for more details.
- If machine is equipped with battery Auto-Fill system, fill batteries prior to charging.

Solution and Recovery Tanks

- The recovery tank is emptied through a large rubber hose at the front of the machine. Remove the plug and drain the liquids according to your local and federal regulations.
- **Every time** you empty the recovery tank, we recommend that you add at least 4 to 6 ounces [120mL to 175mL] of defoamer chemical into the recovery tank before resuming work. Vacuum the defoamer into the empty recovery tank through the squeegee Vacuum hose.
- At the end of the day empty all liquids from both solution and recovery tanks. Rinse both tanks with clean water to prevent chemical residue build-up allow to air-dry to prevent odors.
- Remove any residue from screen and float ball to ensure proper operation. Replace float assembly on tube in recovery tank.
- Check clear lid for airtight seal - leave lid open to allow tank to air dry.
- Check the drain hose for damage.

Pad Drivers or Brushes

- Remove both of the pad drivers (or brushes) from machine after use.
- Rinse with clean water to prevent chemical residue build-up.
- Inspect for wear or damage. Repair or replace as needed.
- Allow to air dry on a shelf or rack.

Squeegee Assembly

- Remove squeegee assembly from machine.
- Rinse with clean water to prevent chemical residue build-up. *****NOTE:** prolonged exposure to some wax stripper brands may degrade the squeegee material. Rinsing after use in a wax floor stripping application is highly recommended.
- Inspect the squeegee assembly, linkage, and vacuum hose, for wear, damage or obstruction. Repair or replace as needed.
- Remove debris from squeegee hose and entrance to recovery tank.
- Allow to air dry on a shelf or rack.

Weekly Maintenance (20 hours)

- Verify all daily maintenance has been performed.
- Check all battery terminal and cable connections. Tighten as needed. Loose connections are dangerous and can cause personal injury and machine damage.
- Clean any corrosion from battery terminals and cables.
- Drain all liquids from battery compartment. Dispose of according to local and federal regulations.
- Check solution flow to pad drivers / brushes. Remove, inspect and clean the solution filter assembly.
- Flush clean solution tank and hoses with a mixture of 8 oz. (250ml.) white vinegar to one-gallon (4 liter) warm water.
- Repair or replace any worn or damaged components as needed.

******CAUTION******

Inspect and replenish battery water in every cell in every battery weekly. Failure to maintain proper electrolyte level in every cell of every battery will cause premature battery failure, and void the warranty.

Monthly Maintenance (100 hours)

- Equalize your batteries (**Flooded only**). To equalize the batteries, after they have been fully charged, unplug the charger (from the wall outlet), and plug it back in. The charger will skip thru the first few phases of the charge cycle, and run thru the finish phase. This will balance out all the cells in the batteries, and provide maximum battery life. **THIS STEP IS ESPECIALLY IMPORTANT IF YOU PRACTICE OPPORTUNITY CHARGING.**
- Verify all daily and weekly maintenance has been performed.
- Inspect vacuum motor exhaust filter behind metal plate at rear of battery compartment. Clean or replace as necessary.
- Check casters for wear or damage.
- Grease the caster axle and swivel bearing. Use a hand held grease gun and a high grade of water resistant lithium base grease.
- Inspect all mechanical linkages, pivot points and ball joints for freedom of movement. Use a penetrating spray lubricant that is water resistant. Do not use WD-40 lubricant.
- Inspect all fasteners (bolts, screws, nuts) at mechanical linkages, pivot points and ball joints for tightness. Tighten as needed.
- Repair or replace any worn or damaged components.
- Inspect the squeeze tube in the Sidekick Chemical dispenser for cracks or leaks.

Mandatory Periodic Maintenance

It is important for you to read the hour meter for hours used in order to perform this machine maintenance.

It is **mandatory** that the following maintenance procedure be performed at the described interval. Failure to perform this procedure may result in poor machine performance, machine component damage and failure. This procedure should be performed by an NSS authorized distributor or service center. Repairs performed by an unauthorized company will void the machine warranty. If you require assistance finding an authorized service center, please contact NSS Enterprises, Inc.

After every **450-500 hours** of operation you must inspect vacuum motor carbon brushes for wear. Replace the vacuum motor carbon brushes when they are 7/16in. (11mm) in length.

After every **650-700 hours** of operation you must inspect drive motor (transaxle) carbon brushes for wear. Replace the drive motor (transaxle) carbon brushes when they are 3/8in. (9mm) in length.

After every **650-700 hours** of operation you must inspect brush motor carbon brushes for wear. Replace the brush motor carbon brushes when they are 1/2in. (13mm) in length.

Battery Replacement Notes

- Entire Pack.
 - It is always recommended to replace all batteries in the pack at the same time.
- One or more batteries out of the pack. This is not recommended. Replacing just one or two batteries out of the pack can lead to the following:
 - Overcharging the new, or the remaining original, batteries.
 - Undercharging the new, or remaining original, batteries.
 - Over discharging either the new or the remaining original batteries.
- If you wish to only replace some of the batteries in the pack, follow these steps for best results:
 - Replacement batteries must always be of the same battery manufacturer, model and amp-hour rating, as the remaining batteries in the pack.
 - Never mix batteries from different manufacturers in the same pack.
 - Fully charge both the new battery, and the remaining original batteries. (s.g. = 1.265 minimum, use a hydrometer)
 - Use a replacement battery that is close to the same age as the remaining original ones.
 - Do not run the machine as long for about 20 cycles. For example, if you used to get 4 hrs runtime, only run it for 2.5 hrs, and then charge the batteries completely.
 - Opportunity charge whenever possible (see page 12).
 - Equalize after 30 days (**Flooded only**).
 - The above steps will provide the best opportunity for the new battery(s) to join the pack.

Battery Charger

The onboard battery charger supplied with this machine is capable of charging lead acid batteries from 185 to 350ah capacity. There is no need to change algorithms or settings based on battery manufacturer, or battery size.

The charger can also be set to charge flooded (wet) cell, AGM, or Gel batteries. LED's on the charger indicate which type of battery the charger is set to charge. One setting is for Flooded and AGM batteries, the other setting is only for GEL batteries.

Depending on the battery charger, the charger can operate on 100/115/230 VAC 1ph 50/60 HZ power, and will automatically detect these input voltages. Before connecting the battery charger to power, check the label on the battery charger to verify proper input power.

Determining Your Battery Type

CAUTION: DIFFERENT BATTERY TYPES HAVE DIFFERENT CHARGING REQUIREMENTS. FAILURE TO PROPERLY IDENTIFY YOUR BATTERY TYPE, AND SET THE CHARGER ACCORDINGLY WILL RESULT IN BATTERY DAMAGE, AND VOID THE WARRANTY.

Your machine may have been ordered with batteries installed at the NSS factory. The standard battery type, normally supplied by NSS, is the Flooded (wet) cell lead acid battery. Gel and AGM sealed batteries may also be available at customer request.

Flooded (wet) batteries can be easily identified by the removable cell caps. Removing the caps allows

inspection of the liquid electrolyte (sulfuric acid) level in each cell.

AGM (Absorbed Glass Mat) batteries are sealed, maintenance free batteries. They do not have cell caps intended for removal. Look for **"AGM"** printed on the tops or sides of the batteries.

Gel (gelled electrolyte) batteries are also sealed, maintenance free batteries. They do not have cell caps intended for removal. Look for **"GEL"** printed on the tops or sides of the batteries.

Battery Charger Indicator LED's

Your battery charger is equipped with LEDs that indicate the following:

- Battery Type Setting. Either of these two LEDs will be illuminated, anytime the charger is plugged in, to signal which type(s) of batteries the charger is configured to charge. The two options available are:
 - Wet / AGM: When this LED is illuminated, the charger is configured to charge either flooded (wet), or AGM batteries.
 - Gel Cell. When this LED is illuminated, the charger is configured to charge Gel batteries ONLY. **EXCEPTION: Trojan AGMs are to be charged with the Gel setting.**
- State of Charge Indicators. Four additional LEDs provide information about the charge level of the batteries during charging.
 - 30%, 60%, 90% and 100%.
- Fault Indications. During charging, the charger provides feedback about the charge process and any problems detected. It will provide feedback and signal the type of problem by flashing LEDs as described below:

Wet/AGM (Amber)	Gel Cell (Amber)	30 (Red)	60 (Red)	90 (Red)	100 (Green)	Meaning
On	Off					Charger is set for Wet/AGM batteries.
Off	On					Charger is set for Gel batteries.
One light on*		On	Off	Off	Off	Charger cycle is in process - bulk stage
One light on*		On	On	Off	Off	Charger cycle is in process - bulk stage
One light on*		On	On	On	Off	Charger cycle is in process - absorption stage
One light flashing*		Off	Off	Off	Flashing	Charger nearing the end of the charge cycle.
One light on*		Off	Off	Off	On	Charge cycle is complete.
One light on*		Flashing	Off	Off	Flashing	Damaged battery detected. One or more batteries failed to complete the charge cycle. Check battery water levels. Batteries can be used, but will not provide full run time.
One light on**		Flashing	Off	Off	Off	No batteries detected. Check that the battery pack is plugged into the machine. Check wiring.
One light on*		Flashing	Flashing	Off	Off	Batteries failed to climb above 1.74 volts per cell within the first three hours of charging. The batteries are damaged and will need to be replaced.
One light on*		Off	Flashing	Flashing	Off	Charge cycle time out. The charge cycle did not finish in the allowed time. Check the battery water levels. Unplug the charger and plug it back in. Allow the batteries to charge again. If the code is repeated, then it is likely that the batteries are damaged.
One light on*		Flashing	Flashing	Flashing	Off	Charge cycle time out. The charge cycle did not finish in the allowed time. Check the battery water levels. Unplug the charger and plug it back in. Allow the batteries to charge again. If the code is repeated, then it is likely that the batteries are damaged.
One light on*		On	Off	On	Off	Internal over temperature. The charger's internal temperature exceeded the maximum permitted. If possible, move the machine to a cooler location. Unplug the charger and plug it back in. Allow the batteries to charge again.

* The light that is on depends on the charger configuration (Wet/AGM or Gel Cell)

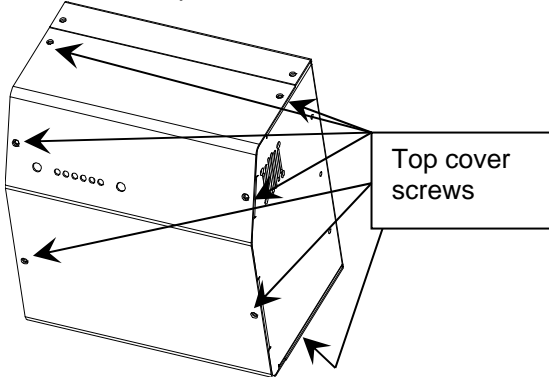
** The light (Wet/AGM or Gel Cell) will only stay on for two seconds

Changing the Battery Type Setting

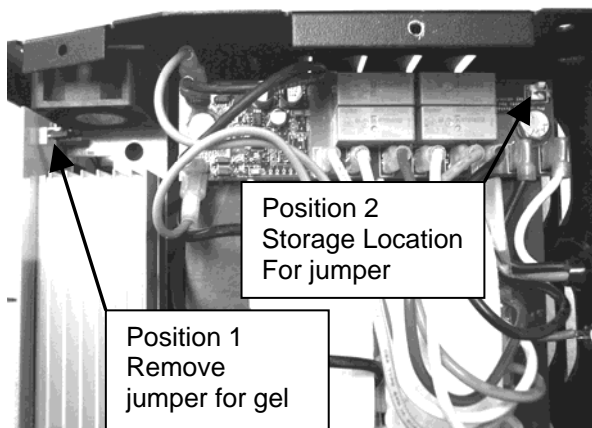
The standard setting for the onboard battery charger is Flooded/AGM. **EXCEPTION:** If your machine was ordered from NSS equipped with Gel batteries, then the charger is configured for Gel batteries at the factory.

Configuring the Charger for Gel batteries:

1. Remove the top cover.



2. Pull the jumper off the board (position 1), and then store the jumper for later use at position 2. See photo below.
3. Reinstall the top cover.



Configure the Charger for Flooded/AGM batteries

1. Remove the top cover
2. Pull the jumper from the storage location (position 2), and install the jumper at position 1.
3. Reinstall the top cover.

Operating the Battery Charger

CAUTION: DIFFERENT BATTERY TYPES HAVE DIFFERENT CHARGING REQUIREMENTS. FAILURE TO PROPERLY IDENTIFY YOUR BATTERY TYPE AND SET THE CHARGER ACCORDINGLY WILL RESULT IN BATTERY DAMAGE, AND VOID THE WARRANTY.

The battery charger is fully automatic. Simply plug the charger into a suitable wall outlet, and the charger will charge the batteries. The green 100% LED will be continuously illuminated when the charge cycle is complete.

A bubbling, or boiling sound coming from the batteries during the last few hours of the charge is

normal. The batteries may be warm, but not too hot to touch.

The charger will maintain the proper battery voltage as long as it is plugged in (maintenance mode).

Equalizing the batteries (Flooded only)

The batteries should be equalized once every 30 days for maximum battery runtime and life.

To equalize the batteries:

- Plug in the charger, and fully charge the batteries (until the green 100% LED is on continuously).
- Unplug the charger from the wall outlet, then plug it back in.
- The charger will run for 2hrs, holding the batteries at a constant voltage, and equalizing each cell.

Battery Do's and Don'ts:

- a. You do not have to fully discharge the batteries before charging. They do not have a "memory".
- b. Plug the charger in anytime the machine is not in use.
- c. NEVER let the electrolyte level fall below the tops of the plates (flooded cell batteries). This will damage your batteries almost immediately, and void the battery warranty. They can tell if this happened.
- d. NEVER refill the batteries with well or tap water (flooded cell batteries).
- e. NEVER overfill the batteries (flooded cell batteries).
- f. NEVER let the batteries sit discharged overnight (or between shifts).
- g. ALWAYS check the electrolyte level about every 3 or 4 charge/discharge cycles BEFORE CHARGING.
- h. ALWAYS refill the batteries with distilled water (if needed) AFTER CHARGING.
- i. ALWAYS fully recharge the batteries after use (until the green LED comes on).
- j. ALWAYS equalize the batteries (**Flooded only**) every 30 days.
- k. NEVER OVER DISCHARGE!
- l. NEVER charge GEL batteries with the charger set to FLOODED/AGM.
- m. NEVER charge FLOODED/AGM batteries with the charger set to GEL. **EXCEPTION-TROJAN AGM'S TO BE CHARGED WITH GEL SETTING.**

Opportunity Charging

Opportunity charging is charging the batteries when an opportunity presents itself, such as during breaks, and is done **in addition to a full charge cycle**.

Opportunity charging is recommended, as this extra charging time will help raise the operating voltage of the batteries, and will help ensure maximum runtime and cycle life.

NOTE: If battery charger is unplugged before the charging cycle is completed, it may take up to five minutes before the machine to be able to be turned on.

TROUBLE-SHOOTING

NOTE: If any problems remain after taking the following steps, contact your local authorized distributor or service station for further evaluation and repair.

PROBLEM	CAUSE	SOLUTION
No solution flow.	Clogged filter.	Clean filter.
	The solution valve is closed.	Open the solution valve.
	Obstruction in the solution hose.	Remove the obstruction.
	Solution valve or linkage damaged.	Repair / replace the valve linkage.
	Solution hose kinked.	Check for kinks at valve and remove.
Solution flow does not stop.	Solution tank is empty.	Fill the tank.
	The solution valve or linkage is damage.	Repair / replace the valve linkage.
	Solution valve seat is dirty	Have an authorized serviceman repair.
	Damaged seat in valve.	Replace valve.
Will not pick up any water from floor.	Hose disconnected or damaged.	Reinstall or replace hose.
	Squeegee is up.	Lower squeegee.
	Squeegee hose is off.	Reinstall hose.
	Vacuum motor switch is off.	Turn vacuum motor switch "on".
	Recovery tank is full.	Empty tank.
	Vacuum shut-off float is stuck.	Clean screen and remove obstruction.
	Obstruction / damage in the squeegee, squeegee hose or standpipe.	Remove obstruction / repair damage.
	Leaking over gasket.	Remove old gasket / replace.
	Vacuum motor is not running.	Have authorized serviceman repair.
Recovery drain hose not plugged properly.	Install drain hose plug properly.	
Will Not Pick Up All Of The Water From The Floor.	Debris on squeegee blades.	Clean squeegee.
	Squeegee blade is worn / damaged.	Reverse / replace squeegee blade.
	Obstruction / damage in the squeegee, squeegee hose, or standpipe.	Remove obstruction / repair damage.
	Squeegee angle needs adjustment.	Adjust angle.
	Vacuum motor worn out.	Have authorized serviceman repair.
Runtime is less than when new	Vacuum filter clogged.	Clean vacuum filter.
	Electrolyte level is too low.	Add distilled water to cover plates and charge. Fill to correct level after charging.
	Tops of batteries are dirty / wet.	Clean / dry, & clean terminals.
	Battery terminals are dirty / damaged.	Clean terminals and connectors. Replace damaged cables. Check water & Charge.
	Batteries are not fully charged.	Charge batteries until charger indicates full charge cycle is complete.
	Battery(s) defective or worn out.	Check for battery charger fault codes while the battery charger is operating. Have an authorized serviceman test the batteries (s.g./charged volts/load test).
Cleaning Is Not Even.	Damaged Charger	Have an authorized serviceman repair.
	Brush / pad is worn.	Replace brush / pads.
	Damage to brush assembly; casters or solution valve.	Have an authorized serviceman repair.
Machine does not run.	Hoses may be kinked or obstructed	Repair / remove obstruction.
	Battery cables loose or not connected.	Check and connect or tighten.
	Circuit breaker tripped.	Reset circuit breaker.
	Batteries not charged.	Charge batteries.
Sidekick pump not operating	Battery charger was unplugged before the charge cycle was completed.	Wait (up to five minutes) and try again.
	Turned off, water valve is off, brushes turned off	Ensure pump, solution valve, and brushes are on.
	Improper wiring	Inspect/repair by qualified technician
Sidekick operating, but not pumping chemical	Sensor plugged	Remove sensor and blow air (5psi [.03MPa] max) thru in the opposite direction as the arrow on the part to clear the obstruction.
	Vacuum leak at fittings on bottle cap, Squeeze tube cracked, chemical bottle empty	Check fittings at bottle cap for leaks. Replace squeeze tube if cracked. Fill chemical bottle.

TABLE 1 BATTERY TYPES					
NSS Part Number	Crown Part Number	<u>Battery Volts</u>	<u>System Volts</u>	<u>Amp Hour</u>	Battery Type Setting
4491061	1-1470	12	36	215	Flooded/AGM
3390361	1-1435	6	24 & 36	235	Flooded/AGM
6491931	1-1437	6	24 & 36	200	GEL
2691501	1-1450	6	36	350	Flooded/AGM

NOTE: Trojan AGM batteries should be charged with the GEL setting.

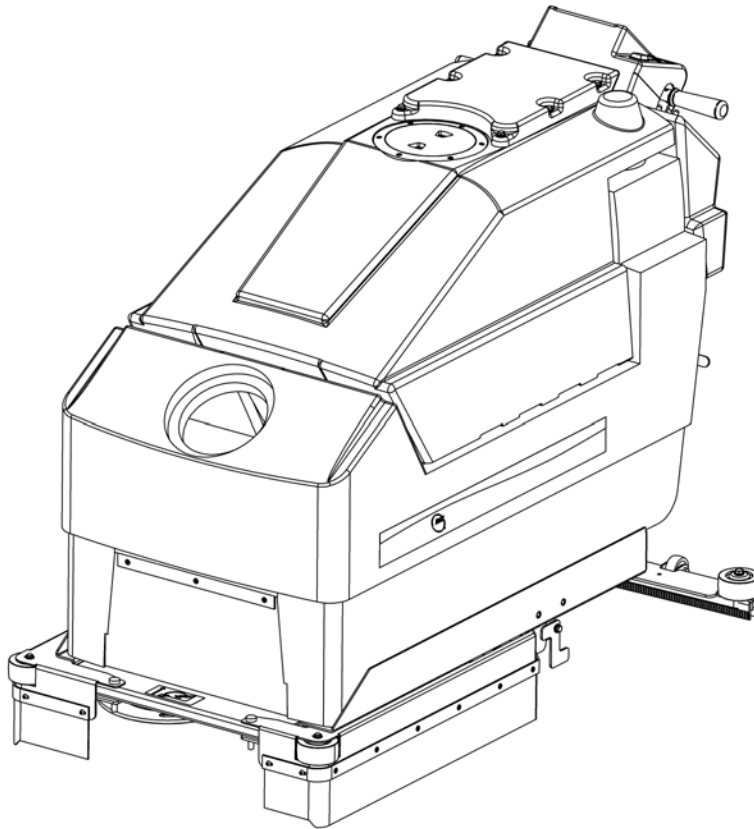
**The charger has been tested on batteries from the following manufacturers:

- Trojan flooded cell
- US Battery flooded cell
- Deka flooded cell
- Crown gel
- Concord gel
- Discover AGM

MANUEL D'UTILISATION

WRANGLER 2625 DB

**Translation from Original Instructions
Une Traduction Des Instructions Originales**



WRANGLER 2625 DB

CONSIGNES DE SÉCURITÉ IMPORTANTES



AVERTISSEMENT: Le non-respect de ces instructions peut causer des blessures à l'opérateur de la machine ou les spectateurs.



AVERTISSEMENT: Danger d'incendie ou d'explosion. **NE JAMAIS** utiliser cet appareil dans une atmosphère explosive (poussière de grain, liquides ou vapeurs inflammables, etc.).



AVERTISSEMENT: Huile d'orange (D-limonène) n'est pas compatible avec les matières plastiques utilisées dans NSS autolaveuses et le système de mesure chimique Sidekick. L'utilisation de D-limonène peut entraîner des dommages à la machine.



AVERTISSEMENT: Danger d'incendie ou d'explosion. **NE JAMAIS** tenter de ramasser des matériaux inflammables ou combustibles ou d'utiliser ces matériaux dans le réservoir.



AVERTISSEMENT: Ce produit contient un produit chimique connu dans l'état de Californie pour provoquer des cancers et des malformations congénitales ou d'autres problèmes de reproduction.

UTILISATION

Cette machine est conçue pour brosser les sols dans un environnement intérieur. NSS ne recommande pas d'utiliser cet appareil à d'autres fins.

POUR VOTRE SÉCURITÉ:

- **TOUJOURS** lire et comprendre toutes les instructions avant d'utiliser ou d'entretenir la machine.
- **TOUJOURS** utiliser cette machine uniquement comme décrit dans ce manuel.
- **NE JAMAIS** tenter de faire fonctionner cette machine, sauf si vous avez été formé dans son fonctionnement.
- **NE JAMAIS** laisser une personne non formée à fonctionner cette machine.
- **NE JAMAIS** tenter de faire fonctionner cette machine si elle ne fonctionne pas correctement ou s'il a été endommagé de quelque façon.
- **NE JAMAIS** déconnecter ou modifier des interrupteurs ou des dispositifs de sécurité (disjoncteur).
- **NE JAMAIS** laisser tomber ou insérer un objet dans les ouvertures de la machine.
- **NE JAMAIS** utiliser cette machine avec une ouverture d'air bloqué. Gardez toutes les ouvertures d'air libres de poussière, les peluches, les cheveux, etc.
- **NE JAMAIS** ramasser tout ce qui brûle ou qui fume, comme des cigarettes, des allumettes ou des cendres chaudes.
- **NE JAMAIS** pulvériser cette machine avec de l'eau ou des liquides.
- **NE JAMAIS** laisser le moteur d'aspiration ou la prise de charge de la batterie à se mouiller ou un court peut se produire.
- **NE JAMAIS** utiliser cette machine lorsque le chargeur de batterie est branché.
- **NE JAMAIS** utiliser cette machine avec la jupe latérale enlevé.
- **NE JAMAIS** laissez cette machine pour être utilisé comme un jouet. Une attention particulière est

nécessaire lorsqu'il est utilisé par ou près des enfants.

- **TOUJOURS** portez des chaussures de tennis propres ou chaussures " anti-dérapant ". Cuir à semelles des chaussures vont devenir très glissant lorsqu'il est mouillé.
- **TOUJOURS** garder le visage, les doigts, les cheveux ou toute autre partie du corps ou des vêtements amples loin de toute ouverture de la machine ou d'une partie mobile (renouvelable brosse, pilote de la tablette , ou un moteur à vide).
- **TOUJOURS** mettre l'appareil hors tension lors de la fixation des tampons ou des pinceaux.
- **TOUJOURS** retirer les touches lorsque cette machine est laissée sans surveillance.
- **TOUJOURS** s'assurer que la rampe est fixée au véhicule avant de charger / décharger.
- **TOUJOURS** utiliser une extrême prudence lors de l'utilisation de la machine sur une rampe ou de chargement / déchargement de cette machine dans ou hors d'un camion / remorque. Soyez extrêmement prudent si la rampe est humide, grasse, ou recouverts de produits chimiques de nettoyage.
- **NE JAMAIS** arrêter ou faire tourner la machine sur une rampe ou pente.
- **NE JAMAIS** tenter de monter un grade ou d'utiliser cette machine sur une rampe ou pente de plus de 8 degrés.
- **NE JAMAIS** stationner ou remiser la machine près d'un quai , sur des rampes , à proximité d'un four, de la chaudière , de la flamme nue , ou de toute autre source de chaleur élevée.
- **NE JAMAIS** laissez cette machine à geler.
- **NE JAMAIS** exposer la machine à la pluie, la neige ou des températures extrêmes.
- **NE JAMAIS** entreposer tous les articles de cette machine.
- **TOUJOURS** rangez cet appareil à l'intérieur dans un endroit frais et sec

TOUT SERVICE réparations doivent être effectuées par un distributeur OU STATION SERVICE AUTORISÉ NSS utilisant uniquement NSS PIÈCES DE MATÉRIEL DE ORIGINAL

CONSERVER CES INSTRUCTIONS

CONSIGNES DE SÉCURITÉ IMPORTANTES

ÉQUIPEMENT DE PILES AVEC À SON BORD CHARGEURS DE BATTERIE



AVERTISSEMENT: Le non-respect de ces instructions peut causer des blessures à l'opérateur de la machine ou des passants.



Lire et comprendre toutes les instructions avant d'installer ou de charger les batteries.



Non fumeur flammes ou des étincelles lorsque vous travaillez avec les batteries.



Contient de l'acide. Éviter tout contact.



Poison. Provoque des brûlures graves. Éviter le contact.



AVERTISSEMENT: Les batteries dégagent de l'hydrogène, ce qui peut provoquer un incendie ou une explosion. **NE JAMAIS** fumer, allumer une allumette ou provoquer une étincelle pendant le fonctionnement ou le chargement. **TOUJOURS** charger dans un endroit bien aéré, loin de toute flamme.

GENERAL

- **TOUJOURS** lire et comprendre toutes les instructions avant d'installer ou de charger les batteries.
- **NE JAMAIS** tenter d'installer ou de charger les batteries, sauf si vous avez été formé pour le faire.
- **NE JAMAIS** laisser une personne non formée à installer ou de charger les batteries.
- **TOUJOURS** retirer tous les bijoux lorsque vous travaillez sur ou près des batteries.
- **TOUJOURS** éteindre tous les commutateurs lors de l'installation et le service.
- **TOUJOURS** débrancher les câbles de batterie avant d'effectuer tout entretien ou réparation.
- **TOUJOURS** porter des lunettes de protection et des vêtements de protection pour éviter tout contact avec de l'acide de batterie.
- **NE JAMAIS** rien poser sur le dessus de piles arc électrique peut se produire.
- **SI CONTACT AVEC L'ACIDE** piles, suivez ces instructions:
 - PEAU - Rincer la zone avec de l'eau.
 - YEUX - Rincer à l'eau pendant 15 minutes.
 - INTERNE - Buvez de l'eau ou du lait. Suivez avec du lait de magnésie, un œuf battu ou de l'huile végétale. Appeler immédiatement un médecin.

INSTALLATION DES PILES

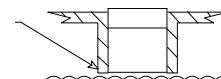
- **TOUJOURS** utiliser deux personnes pour installer, que les batteries sont lourdes.
- **TOUJOURS** éteindre tous les interrupteurs de la machine.
- **Toujours** batteries de position, comme indiqué sur l'autocollant de l'installation de la machine pour maintenir l'équilibre de la machine.
- **TOUJOURS** raccorder piles comme indiqué sur un autocollant à l'installation de la machine pour éviter de court-circuiter les piles et le système électrique.

CHARGE DE LA BATTERIE

- **TOUJOURS** lisez les instructions sur le chargeur avec soin.
- **TOUJOURS** utiliser le NSS fourni chargeur avec la tension nominale correcte.

Pour les batteries au plomb-acide seulement (ne s'applique pas à la cellule de gel ou batteries sans entretien).

- **TOUJOURS** vérifier pour assurer le niveau d'eau de la batterie couvre la batterie à plat avant de le charger.
- **TOUJOURS** vérifier le niveau d'eau et ajouter charge efficace distillée si nécessaire pour amener le niveau de l'eau au fond du trou de remplissage.
- **NE JAMAIS** trop remplir les batteries que la batterie et la machine peut causer des dommages.
- **TOUJOURS** essuyer tout acide du haut de batteries à l'aide d'une solution savonneuse.
- **TOUJOURS** rattacher des bouchons de batteries. Ne chargez pas de bouchons en vrac ou supprimés.
- **ADD** que de l'eau distillée.



Pour tous les types de batteries.

- **NE JAMAIS** charger une batterie gelée.
- **TOUJOURS** branchez le chargeur sur une prise de courant mise à la terre.
- **NE JAMAIS** toucher les parties non isolées du connecteur de sortie ou les bornes de la batterie non isolée.
- **TOUJOURS** débrancher l'alimentation secteur avant de faire ou défaire les connexions à la batterie pendant la charge.
- **NE JAMAIS** utiliser le chargeur si le cordon d'alimentation est endommagé ou si le chargeur a reçu un coup, s'il est tombé ou endommagé de quelque manière que.

CONSIGNES DE SÉCURITÉ IMPORTANTES

TERRE DES EQUIPEMENTS ELECTRIQUES - Chargeur de batterie



AVERTISSEMENT: Un mauvais raccordement du conducteur de mise à la terre peut entraîner un risque de choc électrique. Consultez un électricien ou d'entretien qualifié si vous avez des doutes quant à savoir si la prise est correctement mise à la terre. Ne pas modifier la fiche fournie avec l'appareil. Si la prise ne convient pas pour une utilisation sûre; avoir une prise adéquate par un électricien qualifié.

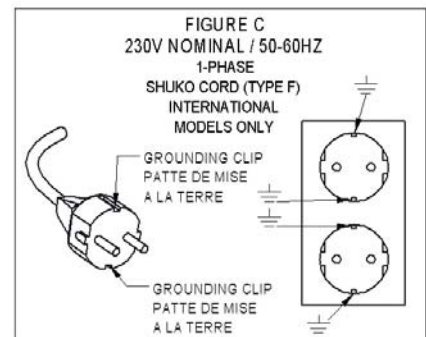
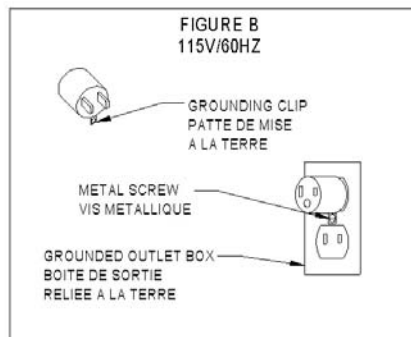
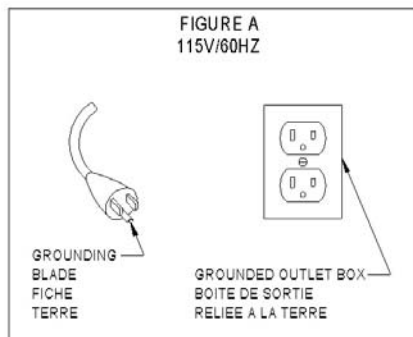
Toujours utiliser un câble d'extension 3 terre qui a mâle et femelle. Si les rallonges de 25 pieds [7.6m] sont utilisés, la capacité de charge électrique ne doit pas être inférieure à 14-3 ST, rallonges de 50 pieds [15.2m] au moins 12-3 ST.

INSTRUCTIONS DE MISE

Cette machine doit être mise à la terre en cours d'utilisation pour protéger l'opérateur contre les chocs électriques. La machine est munie d'un cordon à trois conducteurs et une fiche de branchement à trois contacts de terre. La fiche doit être branchée dans une prise appropriée qui est bien installée et mise à la terre conformément à tous les codes et règlements locaux. Le conducteur vert du cordon est le fil de terre. Ne jamais connecter ce fil autre que la broche de mise à la terre de la fiche de branchement.

Vérifiez la plaque signalétique sur la machine pour être sûr tension et le cycle indiqué est le même que la prise électrique. Ne tentez pas de brancher une machine de 120 volts dans une prise de 240 volts ou une machine de 240 volts dans une prise de 120 volts. Si la machine est munie d'une fiche de raccordement comme représenté sur la Figure A. ci-dessous, il est destiné à être utilisé sur un circuit de 120 volts nominaux. Si une prise correctement mise à la terre comme dans la Figure A. n'est pas disponible, un adaptateur peut être installé comme illustré à la figure B. si la boîte de sortie qui abrite le logement est mis à la terre. Assurez-vous de fixer l'onglet de mise à la terre (la verte rigide, patte ou qui dépasse de l'adaptateur) avec une vis de façade métallique.

Si la machine est munie d'une fiche de raccordement comme représenté sur la figure C, est destiné à être utilisé sur un circuit de 240 volts nominaux. Les modifications apportées à la fiche de branchement ou d'utiliser des adaptateurs à d'autres types de connecteurs doivent être réalisées en conformité avec les réglementations locales.



Remarque: Au Canada, l'utilisation d'un adaptateur temporaire n'est pas autorisée par le code canadien de l'électricité.

TOUT SERVICE de réparation doit être effectuée par un centre DISTRIBUTEUR / SERVICE AUTORISÉ NSS utilisant uniquement des pièces ÉQUIPEMENT ORIGINAL NSS.

CONSERVER CES INSTRUCTIONS

BRUIT ET DES VIBRATIONS

BRUIT

Niveau de pression acoustique à la position de l'opérateur (ISO 11201) 80 dB(A)

VIBRATION

Valeur d'accélération moyenne pondérée du (ISO 5349) .281 m/s²

INSPECTION DE LA MACHINE

- Maintenant que la machine est déballé n'oubliez pas de recycler tous les matériaux d'emballage.
- Inspecter la machine pour les dommages ou les composants absents. S'il est endommagé, contacter la compagnie de transport locale pour déposer une demande de fret.

Composants de la Machine

Réservoir de Solution

Le réservoir de solution est la partie inférieure du corps de la machine. Il a une capacité de 25 gallons (95 litres).

- La quantité d'eau dans le réservoir est mesurée par le tuyau de vue, (tube en plastique transparent), à l'arrière de la machine.

Réservoir de Récupération

Le réservoir de récupération est la partie supérieure du corps de la machine. Il a une capacité de 27 gallons (102 litres).

- Le réservoir de récupération est fermée par un assemblage de vue couvercle rond clair.
- Le réservoir de récupération a un flotteur assemblage d'arrêt de mousse sensible. Comme le niveau de l'eau ou de la mousse monte, le flotteur s'élève et couper le flux d'air du moteur d'aspiration à la raclette.
Remarque : Il n'a pas d'arrêt du moteur à vide.

Panneau de Configuration

Le panneau de commande de l'opérateur se trouve dans la zone arrière de la machine. Ce panneau comporte des éléments qui contrôlent diverses fonctions de la machine.

- Dans le milieu de la face sont deux (2) poignées tournantes en caoutchouc. Ces poignées pivotent vers l'avant et vers l'arrière pour commander la direction et la vitesse de la machine. Le plus loin les poignées sont tournées, plus la machine se déplace. Ces poignées tournantes ont une fonction qui renvoie la machine en position neutre lorsque les poignées sont libérés.
- Le premier interrupteur à bascule sur la gauche allume et éteint le moteur de la brosse.
- Le commutateur prochaine s'allume et s'éteint le moteur d'aspiration.
- Le bouton rouge est le commutateur d'alimentation principal; le contrôle de puissance à tous les composants. Mise sous tension est indiqué par le feu vert.

Sidekick distribution de produits chimiques (facultatif)

- A bord distribution de produits chimiques est disponible soit installé en usine, ou comme une trousse de réparation.

- Contrôles de distribution de produits chimiques se trouvent sur le panneau de commande.

Jauge de Batterie

La jauge de batterie est situé sur le côté droit du panneau de commande de l'opérateur et indique l'état de charge des batteries pendant le fonctionnement et la recharge. L'indicateur de charge est équipé d'un relais qui s'ouvre, d'éteindre la machine, lorsque la tension de la batterie soit tombé à son niveau le plus bas admissible.

- Lorsque les batteries sont complètement chargées, tous les voyants sont allumés.
- Comme les piles se déchargent, le début de la LED pour éteindre, un à la fois, de droite à gauche.
- Lorsque la dernière LED jaune sur la gauche commence à clignoter, il est à seulement quelques minutes d'autonomie à gauche avant que la machine s'éteint automatiquement. Est maintenant le temps d'éteindre les brosses et le vide de moteur, et conduire à la zone de chargement de la batterie.

Compteur Horaire

Le compteur d'heures est situé à l'arrière gauche de la machine. Il indique le temps de travail total des brosses.

Solution de Contrôle (Valve) Levier

Le levier de commande de la solution se situe en face de la droite poignée tournante à main. Ce levier commande la vanne de la solution et la quantité de liquides mis sur le sol lors du nettoyage.

- Tirer sur la poignée pour ouvrir la vanne.
 - La vanne doit être ouvert plus de 50% pour ~ 15-20 secondes pour amorcer les lignes.
- Appuyez sur la poignée pour fermer la vanne.

Solution Électrovanne

La vanne à solénoïde solution est une vanne automatique qui tourne sur le débit de la solution lorsque les brosses sont en marche et la machine est en mouvement. Il est situé sur le cadre, sous le coin arrière gauche de la machine.

Panneau Arrière

- Le disjoncteur est laissé pour le moteur d'entraînement et d'une puissance nominale de 15 ampères.
- Le côté disjoncteur est pour le moteur d'aspiration et une puissance nominale de 30 ampères.
- Les deux disjoncteurs sur la droite sont pour les moteurs à balai et chacun est évalué à 35 ampères. Le bras de levage droit est utilisé pour soulever et abaisser l'ensemble du moteur de brosse..
- Le bras de levage gauche est utilisé pour soulever et abaisser le racloir.
- Le bras de levage droit est utilisé pour soulever et abaisser l'ensemble de brosse. Ce bras dispose de trois positions vers le bas: flotteur, moyenne pression, et une forte pression.

Compartiment de la Batterie Tuyau de Vidange

Ce tuyau est situé au-dessous de la prise de charge de batterie et en arrière du bras de levage de la raclette. Le tuyau utilise une pince de serrage pour maintenir le

tuyau fermé. Ce tuyau perçoit les liquides renversés de la région de compartiment de la batterie.

- Inspectez le tuyau de niveau de liquide sur une base hebdomadaire.
- Éliminer les liquides conformément aux règlements locaux et fédéraux.

Assemblée Filter Solution

Attaché à l'admission de la soupape à solénoïde solution est une conception d'ensemble de filtre pour arrêter les débris de pénétrer dans la vanne de solution.

Si l'eau cesse de couler et chimique:

- Il s'agit d'un écran de filtre métallique à l'intérieur du filtre à cartouche - dévisser la cartouche de la base (à la main), enlever et nettoyer l'écran. Réinstaller. Vérifiez la présence de fuites de liquides.

Moteur D'entraînement

- Cette machine est sous tension avant et arrière par un moteur d'entraînement 24 volts.
- La vitesse est contrôlée électroniquement pour lisse augmentation et la diminution de la vitesse.
- Le moteur se déplace roues motrices grâce à un système de boîte de vitesses et la boîte-pont.
- Ce moteur est équipé d'un balai en carbone qui doit être entretenue sur une base régulière. Les brosses de carbone ont une durée de vie de 2000 heures de fonctionnement. Reportez-vous à la section d'entretien plus tard dans ce livre.

Brosse Motoréducteur

Cette machine comporte deux (2) 24 volts moteurs de brosse situés à l'avant de la machine. Les moteurs sont attachés à une boîte de vitesses pour activer les conducteurs de plaquettes ou de brosses.

- Le moteur gauche tourne dans le sens horaire.
- Le moteur droit tourne dans le sens antihoraire.
- Ces moteurs ont des balais en carbone qui doit être entretenue sur une base régulière. Les brosses de carbone ont une durée de vie de 2000 heures de fonctionnement. Reportez-vous à la section d'entretien plus tard dans ce livre.

Moteur Aspirateur

Cette machine est équipée d'un moteur d'aspiration 24V.

- Le moteur d'aspiration est enfermé dans le corps du panneau de commande derrière la plaque métallique.
- Ce moteur est équipé d'un balai en carbone qui doit être entretenue sur une base régulière. Les brosses de carbone ont une durée de vie prévue de maximum de 700 heures de fonctionnement. Reportez-vous à la section d'entretien plus tard dans ce livre.

Assemblée Raclette

Le raclor est disponible à la fois droites et courbes. La raclette droite utilise un (2) système de lame Linatex double. La raclette "courbe" a une lame de lame arrière Linatex et en néoprène avant.

Jupe Latérales Assemblées

La machine est équipée d'ensembles gauche et droite de jupe latérales. Les ensembles de jupe latérales sont conçues pour contenir des liquides dans la zone de nettoyage sous la machine et de les canaliser vers le

suceur, et d'empêcher des éclaboussures à l'extérieur de la machine.

Paquet de Batterie

Le 26 Wrangler est un système de 24 volts et est disponible avec un paquet de batterie:

Quatre (4) 6 volts, 235 Amp Hour Batteries (inondés). Consultez votre distributeur local NSS autorisé pour les recommandations d'application.

Préparation de la Machine

Pour Installer les Piles:

- Éteignez tous les interrupteurs et incliner le réservoir de récupération ouvert pour exposer le compartiment de la batterie.
- Les batteries sont lourdes - utiliser deux personnes pour installer.
- Reportez-vous au schéma de câblage à l'intérieur du compartiment de la batterie. Aligned les piles dans le compartiment comme indiqué sur le schéma.
- Installer les câbles de la batterie comme indiqué sur le schéma de câblage.
- Serrer les boulons et les écrous hexagonaux avec une clé.

Prudence: Ne pas toucher deux bornes avec une clé.

- Les connexions de batterie desserrées ou incorrectes entraînera la batterie ou d'endommager l'appareil et provoquer des blessures.

• Chargez les batteries avant utilisation!

Chargement de la Batterie

- Pour recharger les batteries branchez le cordon du chargeur, situé à l'arrière de la machine, dans une prise électrique (100/115/230 50/60HZ VAC).

PRUDENCE: Assurez-vous que le type de batterie LED sur le chargeur correspond au type de batterie installée dans votre machine! EXCEPTION-trojan AGA d'être accusé de GEL CADRE.

- Si le cordon est branché dans une prise de la machine sera désactivé.

Voir la section Chargeur de batterie pour plus de détails.

Préparer les réservoirs de solution et de récupération:

- **Ne Jamais** utiliser de l'eau sur 140 degrés ° F (60° C). Eau trop chaude peut endommager les composants tels que les réservoirs.
- Mettez 1 ou 2 litres [3.8L to 7.6L] d'eau propre dans le réservoir de solution premier à aider à diluer les produits chimiques et à prévenir l'excès excessif. Diluer les produits chimiques de nettoyage selon les instructions du fabricant.
- Remplir le réservoir en versant de l'eau et des produits chimiques de nettoyage à travers le filtre à tamis rond qui recouvre l'ouverture à l'avant du réservoir de solution.
- Assurez-vous que le bouchon de vidange du réservoir de récupération est bien fermé et dans son clip de maintien.
- **TOUJOURS** utiliser un anti-mousse pour protéger le moteur de l'aspirateur.

- Consultez votre distributeur local pour obtenir des conseils chimique complète.

Pour installer un pilote de la tablette et le pad:

- Il existe une large gamme de tampons ou brosses disponibles pour les nombreuses applications de nettoyage. Consultez votre distributeur local NSS autorisé pour les recommandations d'application.
- Mettez les pilotes de la tablette à l'envers sur le sol et enlever la tenue tasse de garniture.
- Retirez la découpe du centre de la 13 "(33 cm). Pad. Placez le coussin sur le visage de la pilote de la tablette.
- Le tampon doit être centrée sur le conducteur à éviter vacillement ou rebondir.
- Installer et assurer la tenue tasse de garniture au pilote de la tablette. Tourner le pilote de tampon de sorte que la garniture en regard du sol.
- Augmenter les moteurs de brosse dans la position de transport.
- Aligner les pattes de l'entraînement de patin avec les fentes de la coulée d'entraînement.
- Mettez la patte du pilote de la tablette vers le verrou; fermer le verrou autour de la patte pour se verrouiller sur la coulée d'entraînement.

Pour Installer une Brosse:

- Augmenter les moteurs de brosse dans la position de transport.
- Aligner les pattes de la brosse avec les fentes sur la coulée d'entraînement.
- Mettez les pattes de la brosse vers le verrou; fermer le verrou autour de la patte pour se verrouiller sur la coulée d'entraînement.

Pour Installer le Bloc de Racloir:

- Placez le bras de levage raclette dans le stockage (en haut).
- Les supports de montage de raclette à un support métallique en bas au centre de la machine, à l'aide de deux boutons (2) de montage. Desserrez les boutons de montage et faites glisser le bloc de racloir sur la plaque de montage.
- Le racloir a deux (2) petites roues pour empêcher "rollover" en marche arrière. Les galets de roulement doivent faire face à l'opérateur. Serrez à la main les boutons de montage. Ne pas utiliser des pinces pour serrer les boutons, comme cela vaincre la conception "break-away".
- Ne pas ajouter de poids ou d'autres pressions sur le mécanisme de la raclette. Ce ne sera pas améliorer les performances et de réduire la durée de vie des lames.
- Il est recommandé que, avec de nouvelles lames, les roues arrière sont réglables pour leur position la plus basse. Dévissez les deux vis sur le support tournent le support vers le bas aussi loin que possible, puis serrez les vis. Effectuez ce réglage sur les deux roues / supports.
- Lorsque la raclette est usé, et le bord d'essuyage non plus en contact avec le sol correctement, autre utilisation peut être possible en ajustant les roues arrière assez haut pour restaurer un engagement

correct des lames d'essuyage bord avec le sol. Assurez-vous de régler les roues arrière à fond quand une nouvelle lame est installé.

Pour installer les jupes latérales:

- Placez les jupes à gauche / droite de la machine.
- Retirer les épingles jupe de retenue du support de montage.
- Aligner les trous de jupe latérales avec trous de montage du support, insert et goupilles de retenue sécurisés. Fermer jupes latérales autour de la machine et sécurisé avec verrouillage de la jupe.

Préparer le distributeur Sidekick chimique (le cas échéant)

*****PRUDENCE: Purger les lignes d'Sidekick peut distribuer une petite quantité du produit chimique directement sur le sol. Si vous utilisez décapant de cire ou de produits chimiques, assurez-vous de purger les lignes dans une zone qui ne peut pas être endommagés par le produit chimique utilisé.**

- Placer un récipient rempli avec le produit chimique de nettoyage souhaitée dans le porte-bouteille situé à l'avant de la machine.
 - Le porte-bouteille accepte conteneurs rectangulaires F-style, et certains contenants ronds plus petits.
 - Conteneurs F de style vides sont disponibles à partir de NSS, commander la pièce # 9590171.
- S'assurer que tous les raccords de tuyaux sont bien serrés, puis insérez le tube d'aspiration dans la bouteille de produit chimique, et serrer le bouchon.
- Mettez le laveur puis appuyez sur le bouton ON sur le Sidekick. L'indicateur ON s'allume.
- Appuyez et maintenez enfoncé le bouton de purge sur le Sidekick jusqu'à ce que vous voyez la ligne d'alimentation de la pompe est remplie avec le produit chimique.
- Sélectionnez le taux de dilution désiré tel que recommandé par le fabricant de produits chimiques.
- Le distributeur Sidekick chimique est prêt à l'emploi.

Utilisation de la Machine

Le 26 Wrangler a les moteurs de brosse de décalage sur le côté droit de la machine. Ce décalage permet de nettoyer le bord de la chaussée ou des zones obstruées (murs ou étagères) avec le côté droit de la machine.

Nettoyage Normale

- Balayage et poussière pour enlever la saleté et les débris avant de frotter la serpillière. Accumulations de saleté ou de débris sur le plancher de réduire les performances de nettoyage.
- Vous pouvez aussi avoir besoin d'effectuer une pré-nettoyer certains types de déversements ou les taches avant lavage.
- Planifiez votre travail de sorte que vous faites de longues allées rectilignes avec la quantité moindre de temps possible, chevauchant chemin nettoyage environ 2 in (5 cm). Afin d'éviter les zones de stries et sales.
- Déplacer la machine à la zone à nettoyer.

- Lieu signes d'alerte "chaussée humide" dans la zone.
- Allumez l'interrupteur principal.
- Mettez les commutateurs de moteur brosse et vide.
- Lieu moteurs de brosse et racler en position de fonctionnement sur le plancher.
- Ouvrir complètement la poignée de la vanne de la solution pendant environ 10-20 secondes pour amorcer les lignes de la solution et ensuite ajuster le débit de liquide au niveau désiré.
- Surveillez le niveau de liquide dans le réservoir de récupération et écoutez pour le flotteur d'arrêt pour modifier le son du moteur à vide. Lorsque le débit d'air à vide s'arrête, vous devez éteindre le moteur de l'aspirateur et vider le réservoir de récupération.
- Prendre la machine à une bouche d'évacuation approuvé et désactivez tous les commutateurs.
- Soulevez le rabat en caoutchouc à l'avant de la Wrangler et retirez le tuyau de vidange en caoutchouc souple.
- Soulevez le bout du tuyau au-dessus du niveau de la cuve de récupération, desserrer et retirer le bouchon de vidange du tuyau. Abaissez avec précaution et diriger le tuyau de vidange à l'égout.
- Lorsque le réservoir de récupération est vide, remplacer et serrer le bouchon de vidange. Placez le tuyau de vidange dans la machine et fixer l'extrémité de la fiche dans la pince. Ne pas obstruer le mécanisme de levage ou les moteurs à balai.

Nettoyage Spécial

Le Wrangler peut être utilisé pour effectuer des travaux de nettoyage spéciaux autres que "normal" d'épuration.

Double brossage

- Cette procédure permet un nettoyage en profondeur sur des sols très sales. Une ou plusieurs passes de nettoyage sont effectués avant de ramasser les produits chimiques avec la raclette. Les meilleurs résultats sont obtenus en plaçant les moteurs à balai en position de gommage lourde.

Prudence: La surface du sol devient extrêmement glissant dans cette opération. Le Wrangler doit être utilisé uniquement en bas à vitesse moyenne et un grand soin doit être pris lors de la marche sur cette surface humide.

Décapage

- Cette procédure est utilisée pour éliminer modérée accumulation de finition de plancher de l'étage. Les plaquettes plus agressives ou de brosses abrasives sont utilisés dans cette procédure.
- La solution d'extraction est appliquée au plancher avec une vadrouille et puis double lavé comme ci-dessus. Solution d'extraction ne doit pas être mis dans le réservoir de solution. De l'eau propre dans le réservoir de solution est appliquée sur le sol afin de maintenir les produits chimiques et de finition dans un état «liquide». La surface du sol devient extrêmement glissant dans cette opération. Le Wrangler doit être utilisé uniquement en bas à vitesse moyenne et un grand soin doit être pris lors de la marche sur cette surface humide.

- Le cas échéant, le laveur peut être utilisé pour appliquer le décapant de cire à l'aide du distributeur Sidekick chimique. Réglez le taux de dilution à la dose recommandée par le fabricant de produits chimiques. Si le décapant de cire que vous utilisez nécessite des dilutions plus fort que 20:1, alors vous aurez besoin d'appliquer le décapant avec une vadrouille.
- Après l'application de la strip-teaseuse, purger soigneusement les lignes de distribution Sidekick chimiques avec de l'eau propre pour enlever toute trace de décapant pour cire. Purger les lignes tandis que les brosses sont placés sur un drain de plancher. Purge des lignes du Sidekick dispensera chimique à travers les tampons à recurer et sur le sol.

Sidekick Opération Distributeur Chimique

*****PRUDENCE: Purger les lignes d'Sidekick peut distribuer une petite quantité du produit chimique directement sur le sol. Si vous utilisez décapant de cire ou de produits chimiques, assurez-vous de purger les lignes dans une zone qui ne peut pas être endommagés par le produit chimique utilisé, comme sur un drain de plancher.**

Voir Préparation de la machine pour obtenir des instructions sur la façon de connecter la bouteille de produit chimique, et purger les lignes.

Après une bonne connexion de la ligne d'alimentation en produits chimiques et de purge, le Sidekick chimique distributeur fournit dilution automatique chimique lors des opérations de lavage. Le Sidekick mesure la quantité d'eau s'écoulant hors de la cuve de solution, et les pompes à la bonne quantité de produit chimique dans la ligne d'eau pour fournir le rapport de l'eau au produit chimique en fonction du rapport de dilution sélectionné sur le panneau de commande.

La pompe ne fonctionne pas si l'eau s'écoule du réservoir de solution (sauf lorsque le bouton de purge est pressé). Cela signifie que la valve de contrôle solution doit être sur, et les brosses doit se retourner.

Fonctionnement de Base

- Mettez le laveur.
- Allumez le Sidekick chimique Distributeur.
- Sélectionnez le taux de dilution souhaitée en appuyant sur le bouton de sélection de dilution jusqu'à ce que le voyant à côté de la proportion souhaitée est illuminé.
- L'épurateur peut être désactivée, et quand l'épurateur est rallumé, le Sidekick rappellera le dernier réglage de dilution.
- Pendant l'utilisation, le bouton de purge peut être activée pour fournir et dose supplémentaire de produits chimiques pour les zones très sales (suivez toujours les instructions d'utilisation du fabricant de produits chimiques).

Pour Changer des Produits Chimiques

- Desserrer le bouchon de la bouteille de produit chimique, et supprimer la ligne d'aspiration de la bouteille de produit chimique.
- Éliminer ou stocker tout produit chimique restant conformément aux réglementations locales.

- Placez le tuyau d'aspiration dans un récipient d'eau propre.
- Avec la machine sur un drain de plancher, appuyez et maintenez le bouton de purge jusqu'à ce que l'eau propre est aspiré à travers la pompe et distribué au niveau des balais.
- Retirer le tuyau d'aspiration du récipient d'eau propre. Remettez le réservoir d'eau propre avec un conteneur de la substance chimique souhaitée, et installer la conduite d'aspiration.
- Appuyez et maintenez le bouton de purge jusqu'à chimique est considéré en cours d'élaboration à la pompe, et le pompage dans le tube de la pompe au raccord sous la machine.
- Après chaque utilisation, rincez toujours les lignes de Sidekick avec de l'eau propre à empêcher que le produit séché de s'accumuler dans les lignes.

ENTRETIEN DE LA MACHINE

L'entretien courant est essentiel pour assurer un fonctionnement adéquat de la machine et les performances de nettoyage. Effectuer toutes les procédures de maintenance comme suit.

Coupez toujours tous les interrupteurs de la machine avant d'effectuer toute opération de maintenance.

Pour régler le racloir:

- Mettez le moteur à vide et ouvrir légèrement le robinet d'eau.
- Les lames de raclette devraient poser sur un peu (comme une raclette de fenêtre) lorsque la machine est en mouvement.
- Si un réglage est nécessaire d'ajuster l'angle de la lame en tournant l'écrou à oreilles (ou bouton) sur le bras pivotant dans le sens horaire ou anti-horaire.

Pour régler secondaires lames d'essuie-glace jupe:

- Installez les jupes latérales de la machine.
- Desserrer les vis de la bande de retenue.
- Déroulez uniformément sur toute la longueur de la lame d'essuie-glace de sorte qu'il touche bien le sol.
- Serrez toutes les vis et la machine de test pour les éclaboussures sous les lames.
- NE PAS ajuster les lames trop faible, car il peut causer des dommages et une usure excessive des lames.

Pour remplacer secondaires lames d'essuie-glace jupe:

- Retirez l'ensemble de jupe latérale de la machine.
- Retirez la bande et des vis de retenue.
- Retirez l'ancienne lame d'essuie-glace et la remplacer par une nouvelle lame.
- Remplacer la bande et des vis de retenue; ne serrez pas.
- Déroulez uniformément sur toute la longueur de la lame d'essuie-glace de sorte qu'il touche bien le sol.
- Serrez toutes les vis et la machine de test pour les projections de liquide sous les lames.
- NE PAS ajuster les lames trop faible, car il peut causer des dommages et une usure excessive des lames.

Sidekick Chimique Distributeur

- Purger les lignes à l'eau claire après chaque utilisation.
- Le tube de pression sous le couvercle voir-à travers sur le dessus de la pompe doit être remplacé régulièrement environ tous les 500 heures (selon les produits chimiques utilisés).
- Pour remplacer le tube de compression:
 1. Retirer les écrous d'embout de la pompe
 2. Dévisser couvercle de la pompe, ce qui expose le tube souple.
 3. Retirer le tube de compression endommagée et la remplacer par une nouvelle tube souple.
 4. D'un tournevis peut être inséré dans le moyeu de rotor et entraîné en rotation lorsque le tube est en cours de remplacement pour faciliter l'insertion. Il est important de ne pas tordre le tube comme il est inséré et les raccords doit être inséré "côté plat vers le haut"
 5. Ajouter de la graisse du paquet inclus.
 6. Remettre le couvercle et reprendre le fonctionnement normal.

Entretien Quotidien

- Vous devez recharger les batteries lorsque cela est indiqué par la jauge de la batterie, et après chaque utilisation. Lire l'indicateur de charge pendant que la machine est en cours d'utilisation.
 - * 235 batteries AH exigent 8-12 heures pour charger complètement.
- NE JAMAIS laisser les piles reposer toute la nuit après que la machine a été exécuté pendant plus de 1 heure depuis la dernière recharge.
- Voir la section Chargeur de batterie.

Électrolyte de Batterie (Liquide) Niveau (Inondé Seulement)

Inspecter le niveau d'au moins une cellule dans chaque batterie à électrolyte avant de le charger. Le liquide doit être visible au-dessus des plaques intérieures. Ne pas charger les piles si le liquide est en dessous des plaques.

- **NE JAMAIS** laissez le niveau d'électrolyte tombe au-dessous des sommets des plaques. Cela pourrait endommager les piles immédiatement, et nullité de sa garantie.
- Ajouter que de l'eau distillée à la cellule d'une batterie pour régler le niveau de liquide. Ne pas utiliser l'eau du robinet ou bien. Avant de charger, ajoutez juste assez d'eau pour assurer le haut des plaques sont couverts. Après la charge, seulement ajouter suffisamment d'eau pour amener le niveau de la partie inférieure du tube de remplissage.
- Ne surchargez pas le niveau de liquide de la batterie, ce qui cause l'électrolyte (acide) déversement. Renversé électrolyte (acide) peut causer des dommages de la machine et des blessures. Nettoyer et éliminer immédiatement toutes les éclaboussures.
- Voir la fiche batterie d'alerte (page 3) pour plus de détails.
- Si la machine est équipée de batterie système d'auto-remplissage, remplir les batteries avant de charger.

Réservoirs de Solution et de Récupération

- Le réservoir de récupération est vidé par l'intermédiaire d'un grand tuyau en caoutchouc à l'avant de la machine. Retirez le bouchon et vidanger les liquides conformément à la réglementation locale et fédérale.
- Chaque fois que vous videz le réservoir de récupération, nous recommandons que vous ajoutiez au moins 4 à 6 onces [120mL to 175mL] d'antimousse chimique dans le réservoir de récupération avant de reprendre le travail. Passez l'aspirateur sur l'antimousse dans le réservoir de récupération vide par le tuyau Vac raclette.
- A la fin de la journée vide tous les liquides à la fois solution et réservoirs de récupération. Rincer les deux réservoirs avec de l'eau propre pour éviter les résidus de produits chimiques accumulation permet de sécher à l'air pour éviter les odeurs.
- Enlevez tout résidu de l'écran et flotter balle à assurer le bon fonctionnement. Remplacer l'ensemble du flotteur sur le tube dans le réservoir de récupération.
- Vérifiez couvercle transparent pour étanchéité à l'air - laissez le couvercle ouvert pour permettre réservoir sécher à l'air.
- Vérifier le tuyau de vidange pour les dommages.

Pilotes ou Brosses Tapis

- Retirer les deux pilotes de la tablette (ou brosses) de la machine après utilisation.
- Rincer à l'eau propre pour éviter les résidus de produits chimiques accumulation.
- Vérifier l'usure ou des dommages. Réparer ou remplacer si nécessaire.
- Laisser sécher à l'air sur une étagère ou un rack.

Assemblée Raclette

- Retirer racloir de la machine.
- Rincer à l'eau propre pour éviter les résidus de produits chimiques accumulation. *** Remarque: une exposition prolongée à certaines marques de décapant de cire peut dégrader le matériau raclette. Rinçage après utilisation dans un plancher de cire décapage application est fortement recommandé.
- Inspecter l'ensemble de la raclette, la liaison, et tuyau d'aspiration, d'usure, de dommages ou de l'obstruction. Réparer ou remplacer si nécessaire.
- Retirer les débris du tuyau raclette et entrée de réservoir de récupération.
- Laisser sécher à l'air sur une étagère ou un rack.

Entretien Hebdomadaire (20 heures)

- Vérifiez que l'entretien quotidien a été effectué.
- Vérifiez tous les bornes de la batterie et les connexions des câbles. Serrer si nécessaire. Des connexions desserrées sont dangereux et peuvent causer des blessures et des dommages de la machine.
- Nettoyez toute corrosion des bornes et des câbles de batterie.
- Videz tous les liquides du compartiment de la batterie. Eliminer conformément aux réglementations locales et fédérales.

- Vérifier le débit de la solution de pilotes de la tablette / brosses. Retirer, inspecter et nettoyer l'ensemble de filtre de la solution.
- Rincer le réservoir et les tuyaux de solution propre avec un mélange de 8 onces (250ml.) de vinaigre blanc pour un gallon (4 litres) d'eau chaude.
- Réparer ou remplacer les composants usés ou endommagés au besoin.

****PRUDENCE****

Inspecter et de reconstituer l'eau de la batterie dans chaque cellule de chaque semaine de la batterie. Défaut de maintenir le niveau d'électrolyte approprié dans chaque cellule de chaque batterie peut provoquer une panne prématurée de la batterie, et annuler la garantie.

Entretien Mensuel (100 heures)

- Egaliser vos batteries (Inondé seulement). Pour égaliser les batteries, après avoir été complètement chargée, débranchez le chargeur (à partir de la prise murale), et rebranchez-Le chargeur sauter à travers les premières phases du cycle de charge, et courir à travers la phase de finition. Ce sera un équilibre entre toutes les cellules dans les batteries, et de fournir une autonomie maximale. Cette étape est particulièrement importante si vous pratiquez OCCASION DE CHARGE.
- Vérifier tous les jours et la maintenance hebdomadaire a été réalisée.
- Inspecter vide filtre d'échappement de moteur derrière la plaque de métal à l'arrière de compartiment de la batterie. Nettoyer ou remplacer si nécessaire.
- Vérifiez les roulettes d'usure ou de dommages.
- Graisser l'axe de la roulette et palier de pivotement. Utilisez un pistolet à graisse à main et un haut degré de graisse à base de lithium résistant à l'eau.
- Inspectez tous les liens mécaniques, points de pivot et de rotules pour la liberté de mouvement. Utilisez un lubrifiant de pulvérisation pénétrant qui est résistant à l'eau. Ne pas utiliser WD 40 lubrifiant.
- Vérifier toutes les fixations (boulons, vis, écrous) à des liaisons mécaniques, les points de pivot et de rotules pour l'étanchéité. Serrer si nécessaire.
- Réparer ou remplacer les composants usés ou endommagés.
- Inspecter le tube souple dans le distributeur Sidekick chimique ni fissures ni fuites.

Entretien Périodique et Obligatoire

Il est important pour vous de lire le compteur d'heures pendant des heures utilisées pour effectuer cette maintenance de la machine.

Il est obligatoire que la procédure d'entretien suivant effectué à l'intervalle décrit. Ne pas effectuer cette procédure peut entraîner des performances de la machine pauvres, la machine des dommages aux composants et l'échec. Cette procédure doit être effectuée par un centre de distribution ou de service NSS autorisé. Réparations effectuées par une société non autorisée annulera la garantie de la machine. Si vous avez besoin d'aide pour trouver un centre de service agréé, s'il vous plaît contacter NSS Enterprises, Inc.

Après tous les 450-500 heures de fonctionnement, vous devez inspecter vide moteur balais de charbon pour l'usure. Remplacer le moteur à vide brosses de carbone quand ils sont 7/16inch (11mm) de longueur.

Après tous les 650-700 heures de fonctionnement, vous devez inspecter moteur d'entraînement (boîte) balais de charbon pour l'usure. Remplacer le moteur d'entraînement (boîte) brosses de carbone quand ils sont 3/8inch (9mm) de longueur.

Après tous les 650-700 heures de fonctionnement, vous devez inspecter la brosse moteur balais de charbon pour l'usure. Remplacer le moteur brosse brosses de carbone quand ils sont 1/2inch (13mm) de longueur.

Billets de Remplacement de la Batterie

- Paquet Entier.
 - Il est toujours recommandé de remplacer toutes les batteries dans le pack en même temps.
- Un ou plusieurs piles hors de la meute. Ce n'est pas recommandé. En remplaçant seulement une ou deux batteries de l'emballage peut conduire à la suivante:
 - La surcharge des nouvelles, ou l'original restant, batteries.
 - Un prix inférieur à la nouvelle, ou encore d'origine, les batteries.
 - Plus de décharger le nouveau ou les batteries d'origine restantes.
- Si vous souhaitez remplacer une partie seulement des batteries dans le pack, procédez comme suit pour de meilleurs résultats:
 - Les batteries de remplacement doivent toujours être du même fabricant de la batterie, le modèle et ampères-heures d'étoiles, comme les piles restantes dans le paquet.
 - Ne jamais mélanger des piles de différents fabricants dans le même paquet.
 - Charger entièrement la fois la nouvelle batterie, et les piles d'origine restants. (S.G. = 1.265 minimum, utiliser un densimètre)
 - Utiliser une batterie de remplacement qui se trouve à proximité du même âge que ceux d'origine restantes.
 - Ne pas utiliser la machine tant pour environ 20 cycles. Par exemple, si vous avez utilisé pour obtenir 4 heures de l'exécution, ne l'exécuter pendant 2,5 heures, puis charger les batteries complètement.
 - Possibilité de charge chaque fois que possible (voir page 12).
 - Egaliser après 30 jours (Inondé seulement).
 - Les étapes ci-dessus fournissent la meilleure occasion de la nouvelle batterie (s) à rejoindre la meute.

Chargeur de Batterie

Le chargeur de batterie à bord fourni avec cet appareil est capable de charger des batteries au plomb de 185 à 350ah capacité. Il n'est pas nécessaire de modifier les algorithmes ou les paramètres en fonction de fabricant de la batterie, ou la taille de la batterie.

Le chargeur peut également être configuré pour charger inondé cellule (humide), AGM, ou des batteries au gel. LED sur le chargeur indiquent le type de batterie le chargeur est mis à la charge. Un réglage est pour inondées et batteries AGM, l'autre paramètre est uniquement pour les batteries GEL.

Selon le chargeur de batterie, le chargeur peut fonctionner sur 100/115/230 VAC 1ph 50/60 Hz., et détecte automatiquement les tensions d'entrée. Avant de brancher le chargeur de batterie au pouvoir, vérifiez l'étiquette sur le chargeur de batterie pour vérifier la puissance d'entrée correcte.

Détermination du Type de Batterie

PRUDENCE: Différents types de piles ont des exigences de charge différents. Ne pas identifier correctement type de batterie, et régler la CHARGEUR EN CONSÉQUENCE endommagerait la batterie et nullité de sa garantie.

Votre appareil a peut-être été commandé avec batteries installées à l'usine NSS. Le type de batterie standard, normalement fourni par NSS, est le (humide) de la batterie inondée de plomb de la cellule de l'acide. Batteries scellées gel et AGM peuvent également être disponibles à la demande du client.

Les batteries humides (humides) peuvent être facilement identifiés par les bouchons de cellules amovibles. Retrait des bouchons permet l'inspection de l'électrolyte liquide (acide sulfurique) de niveau dans chaque cellule.

AGA (Mat Absorbée en verre) batteries sont scellées, les batteries sans entretien. Ils n'ont pas bouchons de cellules destinés à l'élimination. Rechercher "AGA" imprimé sur le dessus ou sur les côtés des piles.

GEL (électrolyte gélifié) batteries sont également scellés, l'entretien des batteries libres. Ils ne possèdent pas de cellules bouchons destinés à l'enlèvement. Cherchez "gel" imprimé sur le dessus ou sur les côtés de la batterie.

LED Chargeur de Batterie Indicateur

Votre chargeur de batterie est équipé de LED qui indiquent ce qui suit:

- Type de batterie Cadre. Chacune de ces deux voyants sont éclairés, quand le chargeur est branché, pour signaler le type (s) de batteries le chargeur est configuré pour charger. Les deux options disponibles sont:
 - Wet / AGM: Lorsque ce voyant est allumé, le chargeur est configuré pour charger soit inondée (humide), ou batteries AGM.
 - Gel Cell. Lorsque ce voyant est allumé, le chargeur est configuré pour charger les batteries Gel SEULEMENT. EXCEPTION: Trojan AGM doivent être chargés de la mise en gel.
- État des indicateurs de charge. Quatre LED supplémentaires fournissent des informations sur le niveau de charge des batteries pendant la charge.
 - 30%, 60%, 90% et 100%.
- Indications de défaut. Pendant la charge, le chargeur fournit une rétroaction sur le processus de charge et des problèmes détectés. Il fournira les informations et signaler le type de problème par LED clignote comme décrit ci-dessous:

Wet/AGM (Ambre)	Gel Cell (Ambre)	30 (Rouge)	60 (Rouge)	90 (Rouge)	100 (Vert)	Sens
Sur	Vide					Le chargeur est mis en place pour les batteries humides / AGM.
Off	Sur					Le chargeur est mis en place pour les batteries Gel.
Une lumière est allumée*	Sur	Vide	Vide	Vide	Vide	Le cycle de charge est en cours - dans la phase en vrac
Une lumière est allumée*	Sur	Sur	Sur	Vide	Vide	Le cycle de charge est en cours - dans la phase en vrac
Une lumière est allumée*	Sur	Sur	Sur	Sur	Vide	Le cycle de charge est en cours - dans la phase d'absorption
One light flashing*	Vide	Vide	Vide	Vide	Flashing	Le chargeur est proche de la fin du cycle de charge.
Une lumière est allumée*	Vide	Vide	Vide	Vide	Sur	Le cycle de charge est terminé.
Une lumière est allumée*	Clignotant	Vide	Vide	Vide	Clignotant	Batterie endommagée détectée. Une ou plusieurs batteries n'ont pas terminé le cycle de charge. Vérifiez les niveaux d'eau de la batterie. Les batteries peuvent être utilisées, mais ne fournissent pas l'exécution complète.
Une lumière est allumée**	Clignotant	Vide	Vide	Vide	Vide	Pas de piles détectés. Assurez-vous que la batterie est branché sur la machine. Contrôler le câblage.
Une lumière est allumée*	Clignotant	Clignotant	Vide	Vide	Vide	Batteries n'ont pas réussi à monter au-dessus de 1,74 volts par cellule dans les trois premières heures de charge. Les batteries sont endommagées et devront être remplacés.
Une lumière est allumée*	Vide	Clignotant	Clignotant	Vide	Vide	Charge du temps de cycle sur. Le cycle de charge n'a pas terminé dans le temps imparti. Vérifiez les niveaux d'eau de la batterie. Débranchez le chargeur et rebranchez-le. Laissez les batteries se rechargent de nouveau. Si le code est répété, alors il est probable que les batteries soient endommagées.
Une lumière est allumée*	Clignotant	Clignotant	Clignotant	Vide	Vide	Charge du temps de cycle sur. Le cycle de charge n'a pas terminé dans le temps imparti. Vérifiez les niveaux d'eau de la batterie. Débranchez le chargeur et rebranchez-le. Laissez les batteries se rechargent de nouveau. Si le code est répété, alors il est probable que les batteries soient endommagées.
Une lumière est allumée*	Sur	Vide	Sur	Vide	Vide	Interne à l'égard de la température. La température interne du chargeur a dépassé le maximum autorisé. Si possible, placez l'appareil à un endroit plus frais. Débranchez le chargeur et rebranchez-le. Laissez les batteries se rechargent de nouveau.

* La lumière qui est en fonction de la configuration du chargeur (Wet / AGM ou Gel Cell)

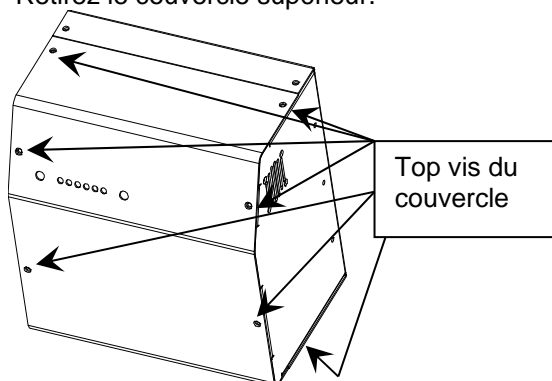
** La lumière (Wet / AGM ou Gel Cell) ne restera pendant deux secondes

Modification du Type de Batterie Cadre

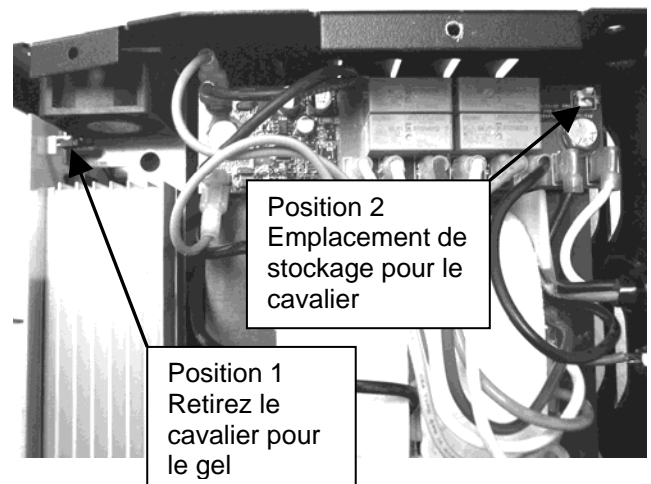
Le réglage standard pour le chargeur de batterie à bord est inondée / AGM. EXCEPTION: Si votre machine a été ordonné de NSS équipé de batteries au gel, le chargeur a été configuré pour les batteries Gel à l'usine.

Configuration du Chargeur pour Batteries au Gel:

1. Retirez le couvercle supérieur.



2. Retirez le cavalier de la planche (position 1), puis stocker le cavalier pour une utilisation ultérieure à la position 2. Voir photo ci-dessous.
3. Remettez le couvercle supérieur.



Configurer le Chargeur pour les Batteries Inondées/AGM

1. Retirez le couvercle supérieur
2. Retirez le cavalier de l'emplacement de stockage (position 2), et installez le cavalier en position 1.
3. Remettez le couvercle supérieur.

Utilisation du Chargeur de Batterie

PRUDENCE: Différents types de piles ont des exigences de charge différents. Ne pas identifier correctement type de batterie et définissez les CHARGEUR EN CONSÉQUENCE causera des dommages de BATTERIE, et annuler la garantie.

Le chargeur de batterie est entièrement automatique. Il suffit de brancher le chargeur dans une prise murale appropriée, et le chargeur charge les batteries. La LED verte de 100% sera allumé en continu quand le cycle de charge est complète.

Un bruit de bouillonnement ou ébullition provenant des batteries pendant les dernières heures de la charge est normal. Les batteries peuvent être chaud, mais pas trop chaude au toucher.

Le chargeur va maintenir la tension correcte de la pile dans la mesure où il est branché (mode maintenance).

L'égalisation des Batteries (Inondé Seulement)

Les piles doivent être égalisées une fois tous les 30 jours pour l'exécution maximale de la batterie et de la vie.

Pour égaliser les batteries:

- Branchez le chargeur et recharger complètement les batteries (jusqu'à ce que la LED verte de 100% est allumé en permanence).
- Débranchez le chargeur de la prise murale, puis rebranchez-le dans le mur.
- Le chargeur de fonctionner pendant 2 heures, en maintenant les batteries à une tension constante, et égalisation de chaque cellule.

Batterie Faire et Ne Pas Faire:

- a. Vous n'avez pas à décharger complètement la batterie avant de la charger. Ils n'ont pas une "mémoire".
- b. Branchez le chargeur dans n'importe quand la machine n'est pas en cours d'utilisation.
- c. Ne laissez jamais le niveau d'électrolyte tombe au-

dessous des sommets des plaques (batteries à cellules ouvertes). Cela pourrait endommager vos batteries presque immédiatement, et nullité de sa garantie de la batterie. Ils peuvent dire si ce qui s'est passé.

- d. NE JAMAIS remplir les batteries avec le bien ou l'eau du robinet (inondé piles).
- e. JAMAIS trop remplir les batteries (batteries à cellule).
- f. Ne laissez JAMAIS les batteries déchargées reposer toute la nuit (ou entre les quarts).
- g. TOUJOURS vérifier le niveau d'électrolyte sur tous les 3 ou 4 cycles de charge / décharge avant de charger.
- h. TOUJOURS remplir les batteries avec de l'eau distillée (si nécessaire) après la charge.
- i. TOUJOURS recharger complètement les batteries après utilisation (jusqu'à ce que la LED verte s'allume).
- j. Égaliser TOUJOURS les piles (inondées seulement) tous les 30 jours.
- k. JAMAIS PLUS DE DÉCHARGE!
- l. Ne jamais charger des batteries au gel avec le chargeur mis à NOYE / AGM.
- m. NE JAMAIS charger les batteries AGM / INONDES avec le chargeur mis à GEL. EXCEPTION-trojan AGM d'être accusé de GEL CADRE.

Possibilité de Charge

Charge d'opportunité est en charge des piles lorsque l'occasion se présente, comme pendant les pauses, et se fait en plus d'un cycle de charge complet. Charge lorsque possible est recommandée, car ce temps de charge supplémentaire aidera à augmenter la tension de fonctionnement des batteries, et aidera à assurer l'exécution maximum et durée de vie.

Remarque: Si le chargeur de batterie est débranché avant que le cycle de charge est terminé, il peut prendre jusqu'à cinq minutes avant de la machine pour pouvoir être mis en marche.

NSS Référence	Crown Référence	Batterie Volts	Système Volts	Ampère Heure	Type de batterie Cadre
4491061	1-1470	12	36	215	Flooded/AGM
3390361	1-1435	6	24 & 36	235	Flooded/AGM
6491931	1-1437	6	24 & 36	200	GEL
2691501	1-1450	6	36	350	Flooded/AGM

Remarque: Trojan AGM batteries doivent être chargés de la prise en gel.

** Le chargeur a été testé sur les batteries des fabricants suivants:

- Trojan inondé cell
- US Battery inondé cell
- Deka inondé cell
- Crown gel
- Concord gel
- Discover AGM

DÉPANNAGE

Remarque: Si des problèmes persistent après avoir pris les mesures suivantes, contactez votre station de distributeur ou d'un service agréé pour une évaluation plus approfondie et la réparation.

PROBLEME	RAISON	SOLUTION
Aucun écoulement de la solution.	Filtre encrassé.	Nettoyer le filtre.
	La vanne de la solution est fermée.	Ouvrez la vanne de solution.
	Obstruction dans le tuyau de solution.	Retirez l'obstacle.
	Soupape de solution ou d'une liaison endommagée.	Réparer / remplacer la liaison de soupape.
	Tuyau de solution plié.	Vérifiez plis au niveau du robinet et retirez.
Écoulement de la solution ne s'arrête pas.	Le réservoir de solution est vide.	Remplir le réservoir.
	La vanne de la solution ou la liaison est dommage.	Réparer / remplacer la liaison de soupape.
	Siège de soupape de la solution est sale.	Avoir une réparation de technicien agréé.
	Siège endommagé dans la vanne.	Remplacer la vanne.
Ne sera pas ramasser de l'eau du sol.	Tuyau débranché ou endommagé.	Réinstaller ou remplacer le tuyau.
	Raclette revient.	Basse raclette.
	Flexible du suceur est éteint.	Réinstaller le tuyau.
	Commutateur Vac moteur est éteint.	Tourner le commutateur de moteur aspirateur "sur".
	Réservoir de récupération est plein.	Réservoir vide.
	Vide d'arrêt flotteur est coincé.	Nettoyez l'écran et enlever l'obstruction.
	Obstruction / dommages à la raclette, tuyau raclette ou sur un tube.	Retirer les dommages obstruction / réparation.
	Fuite sur le joint.	Enlevez le vieux joint / remplacer.
	Vac moteur ne fonctionne pas.	Ont autorisé militaire réparation.
Ne sera pas ramasser toute l'eau du sol.	Récupération tuyau de vidange n'est pas branché correctement.	Installer le bouchon de tuyau de vidange correctement.
	Débris sur les lames de raclette. Raclette est usé / endommagé.	Raclette propre. Arrière / remplacer raclette.
	Obstruction / dommages à la raclette, flexible du suceur, ou sur un tube.	Retirer les dommages obstruction / réparation.
	Raclette angle doit être réglé.	Ajuster l'angle.
	Le moteur à vide usés.	Ont autorisé militaire réparation.
Durée est inférieure à l'état neuf.	Filtre bouché Vac.	Filtre aspirateur propre.
	Niveau d'électrolyte est trop bas.	Ajouter de distillée l'eau pour couvrir les plaques et responsable. Remplir à niveau, après la charge.
	Dessus des batteries sont sales / humide.	Nettoyez les bornes / sec, et propre.
	Bornes de la batterie sont sales / endommagé.	Bornes et connecteurs propres. Remplacez les câbles endommagés. Vérifiez l'eau & Charge.
	Batteries ne sont pas complètement chargées.	Chargez les batteries jusqu'à ce que le chargeur indique cycle de charge complet est complet.
	Batterie (s) défectueux ou usé.	Vérifiez les codes d'erreur de chargeur de batterie pendant que le chargeur de batterie fonctionne. Vous avez un technicien agréé tester les batteries (sg / chargé volts / test de charge).
Nettoyage n'est même pas.	Endommagé chargeur.	Avoir une réparation de technicien agréé.
	Brosse / disque est usé.	Remplacez la brosse / pads.
	Dommages à broser assemblage; roulettes ou valve de solution.	Avoir une réparation de technicien agréé.
La machine ne fonctionne pas.	Tuyaux peuvent être pliés ou obstrués.	Réparation / enlever une obstruction.
	Les câbles de batterie mal branché ou débranché.	Vérifier et connecter ou serrer.
	Disjoncteur déclenché.	Réarmer le disjoncteur.
	Piles non facturés.	Chargez les batteries.
Pompe de Sidekick ne fonctionne pas.	Chargeur de batterie a été débranché avant que le cycle de charge a été achevée.	Attendre (jusqu'à cinq minutes) et essayez à nouveau.
	Désactivé, la vanne d'eau est éteint, brosses éteints.	Assurez-pompe, vanne de solution, et balais sont sur.
	Un câblage incorrect.	Contrôler / réparer par un technicien qualifié.
Sidekick d'exploitation, mais pas de pompage chimique.	Capteur branché	Déposer le capteur et l'air de soufflage (5 psi [.03MPa] max) à travers dans le sens opposé de la flèche sur la partie à effacer l'obstruction.
	Fuite de vide au niveau des raccords sur bouchon de la bouteille, le tube de compression fissuré, bouteille de produit chimique vide.	Vérifiez les raccords au bouchon de la bouteille de fuites. Remplacer le tube de compression en cas de fissure. Remplissez la bouteille de produit chimique.

BLANK PAGE
PAGE BLANCHE

BLANK PAGE
PAGE BLANCHE



EC DECLARATION OF CONFORMITY



(FR) DECLARATION DE CONFORMITÉ (ES) DECLARACIÓN DE CONFORMIDAD (DE) KONFORMITÄTSERKLÄRUNG (NL) VERKLARING VAN OVEREENSTEMMING (P) DECLARAÇÃO DE CONFORMIDADE (SV) DEKLARATION OM ÖVERENSSTÄMMELSE (DK) OVERENSSTEMMELSESERKLÆRING (N) KONFORMITETSERKLÆRING (FIN) VAATIMUSTENMUKAISUUSVAKUUTUS (GR) ΔΗΛΩΣΗ ΕΝΑΡΜΟΝΙΣΗΣ

NSS ENTERPRISES, INC 3115 FRENCHMANS ROAD TOLEDO OHIO U.S.A. 43607 - 2958 PHONE 419/531-2121

Authorized Technical Documentation Representative; Mark Bevington, NSS ENTERPRISES, INC. Unit 7 Pinfold Business Park, 55 Nottingham Road, Stapleford, Nottingham, NG9 8AD

MACHINE/MA CCHINA/MAQUINA/BEZEICHNUNG DER MASCHINE/MAQUINA/MASKIN/KONE/ MASKINE/MHXANH:

SCRUBBER-DRYER

TYPE/TIPO/MASCHINENTYP/TYPPI/TΥΠΟΣ: **WRANGLER 2625 DB**

(EN) NSS ENTERPRISES, INC. declares that the machine specified above fulfills all relevant provisions of the following Directives and Standards:
(IT) NSS Enterprises, Inc. Dichiaro che il macchinario di cui sopra soddisfa tutte le pertinenti disposizioni delle seguenti direttive e standard:
(FR) NSS ENTREPRISES, INC déclare que la machine indiquée ci-dessus satisfait à toutes les dispositions pertinentes des directives et des normes suivantes :

(ES) NSS ENTERPRISES, Inc. Declara que el equipo especificado anteriormente cumple con todas las disposiciones pertinentes de las directivas y normas siguientes:

(DE) NSS ENTERPRISES, INC erklart, dass die Maschine oben angegebenen alle einschlägigen Bestimmungen der folgenden Richtlinien und Normen erfüllt:

(NL) NSS Enterprises, Inc verklaart dat de machine hierboven aangegeven alle relevante bepalingen van de volgende richtlijnen en normen voldoet:

(PT) NSS ENTERPRISES, INC declara que a máquina especificada acima cumpre todas as disposições pertinentes das directivas e padrões a seguir:

(SW) NSS Enterprises, Inc. Intygat att maskinen anges ovan uppfyller alla relevanta bestämmelser i följande direktiv och standarder:

(FI) NSS Enterprises, Inc. Vakuuttaa, että laite edellä täyttää kaikki asiaankuuluvat määräykset seuraavien direktiivien ja standardien:

(DK) NSS Enterprises, Inc. Erklærer, at maskinen er angivet ovenfor opfylder alle relevante bestemmelser i følgende direktiver og standarder:

(NO) NSS Enterprises, Inc. erklærer at maskinen er angitt ovenfor oppfyller alle relevante bestemmelser i følgende direktiver og standarder:

(GR) NSS Enterprises, Inc δηλώνει ότι η μηχανή που περιγράφεται ανωτέρω πληροί όλες τις σχετικές διατάξεις των ακόλουθων οδηγιών και προτύπων:

EU Directives/directive UE/directives de l'UE/Directivas de la UE/EU-Richtlinien/EU-richtlijnen/directivas da UE/EU-direktiv/EU-direktiivit/EU-direktiver/EU-direktiver/οδηγίες της Ε.Ε.:

2006/42/EC Machinery Directive 2004/108/EC EMC Directive 2002/44/EC Vibration Directive

Harmonized Standards/ Standard armonizzati/ normas harmonizadas/ Normas armonizadas/ Harmoniserte Normen/ geharmoniseerde normen/ normas harmonizadas/ harmoniserade standarder/ yhdenmukai stettujen standardien/ harmoniserede standarder/ harmoniserte standarder/ εναρμοσιζόμενα

Πρότυπα:

EN12100-1, EN12100-2, ISO11201, EN55012, IEC61000-6-2, EN60335-2-72, ISO2631-1, ISO5349-1/-2, EN62233

This declaration shall cease to be valid if modifications are made to the machine without our approval. / Questa dichiarazione non è più valida in caso di modifiche apportate alla macchina senza il nostro consenso. / Cette déclaration cessera d'être valable si des modifications sont apportées à la machine sans notre accord. / Esta declaración dejará de ser válida si se realizan modificaciones en la máquina sin nuestra aprobación. / Diese Erklärung gilt nicht mehr gültig sein, wenn Änderungen an der Maschine ohne unsere Zustimmung vorgenommen werden. / Deze verklaring verliest haar geldigheid wanneer wijzigingen worden aangebracht aan de machine zonder onze goedkeuring. / Esta declaração deixará de ser válido se as modificações são feitas para o aparelho sem a nossa aprovação. / Denna förklaring skall upphöra att gälla om ändringar görs på maskinen utan vårt godkännande. / Tämä ilmoitus lakkaa olemasta voimassa, jos tehdään muutoksia koneeseen ilman meidän hyväksyntää. / Denne erklæring ophører med at være gyldige, hvis der foretages ændringer på maskinen uden vores godkendelse. / Denne erklæring skal opphøre å være gyldig dersom modifikasjoner på maskinen uten vårt samtykke. / Η δήλωση αυτή παύει να ισχύει, αν έχουν γίνει τροποποιήσεις στο μηχάνημα χωρίς την έγκρισή μας.

It is ensured through internal measures that series-production units conform at all times to the requirements of current EU Directives and relevant standards. / Si è assicurata da misure interne che serie unità di produzione sono conformi in ogni momento alle esigenze delle attuali direttive CE e alle normative applicate. / Elle est assurée par des mesures internes que les séries unités de production sont conformes en tout temps aux exigences des directives européennes et les normes actuelles pertinentes. / Se garantiza a través de medidas internas que las unidades de producción en serie ajustarse en todo momento a las necesidades de las actuales directivas de la UE y las normas pertinentes. / Es ist durch interne Maßnahmen, die Serien-Geräte entsprechen jederzeit den Anforderungen der aktuellen EU-Richtlinien und den angewandten Normen entsprechen. / Het wordt gewaarborgd door interne maatregelen die serie-productie-eenheden te allen tijde te voldoen aan de eisen van de huidige EU-richtlijnen en relevante normen. / É assegurado através de medidas internas que as unidades de produção em série conformam em todos os momentos com os requisitos das Directivas actuais da UE e padrões relevantes. / Det säkerställs genom interna åtgärder som serietillverkade enheterna överensstämmer alltid med kraven i gällande EU-direktiv och relevanta standarder. / Se on varmistettu sisäisiä toimenpiteitä että sarjatuotantoyksiköt täyttävät aina vaatimuksiin nykyisten EU-direktiivien ja asiaankuuluvien standardien. / Det sikres gennem interne foranstaltninger, som serie-produktionsenheder opfylder til enhver tid til kravene i de nuværende EU-direktiver og relevante standarder. / Det er sikret gjennom interne tiltak som serieproduserte enhetene samsvarer til enhver tid til kravene i gjeldende EU-direktiver og relevante standarder. / Διασφαλίζεται μέσω εσωτερικών μέτρων που μαζικής παραγωγής μονάδες συμμορφώνονται ανά πάσα στιγμή με τις απαιτήσεις των ισχυουσών οδηγιών της ΕΕ και των σχετικών προτύπων.

Toledo, Ohio USA 11-15-2012

President, NSS ENTERPRISES, Inc.

Mark J. Bevington



NSS® Enterprises, Inc.

3115 Frenchmens Road

Toledo, Ohio 43607

PHONE (419) 531-2121

FAX (419) 531-3761

mailus@nss.com

www.nss.com