



95

**Operation, Maintenance, and
Parts Manual**

**MM141
Rev. 08 (09-89)**

Home

Find...

Go To..





This manual is furnished with each new TENNANT Model . It provides necessary operating and preventive maintenance instructions. Read this manual completely and understand the machine before operating or servicing it.

This manual covers all machine variations and standard accessories. The instruction portion of the manual consists of the Specification, Operation, Maintenance, and Appendix sections. The parts portion consists of the Low Dump Model Parts; LPG Parts; Diesel Parts, Continental ; Diesel Parts, Perkins; Diesel Parts, Kubota; Multi-Level Dump Model Parts; AA Model Parts; SE Model Parts; Accessories; Hydraulic Components; Engine Parts, Gasoline, LPG; ; Engine Parts, Diesel, Continental; Engine Parts, Diesel, Perkins; Engine Parts, Diesel, Kubota; and Cross Reference sections.

All right side and left side references to the machine are determined by facing the direction of forward travel. All hardware considered to be of a common nature or locally available has been omitted from the parts sections. Be aware that this machine may contain metric hardware. Make sure you use equivalent hardware when replacement becomes necessary.

This machine will provide excellent service. However, the best results will be obtained at minimum costs if:

- The machine is operated with reasonable care.
- The machine is maintained regularly – per the maintenance instructions provided.
- The machine is maintained with TENNANT supplied or equivalent parts.

Parts and supplies may be ordered by phone or mail from any TENNANT parts and service center, distributor, or from any of the TENNANT subsidiaries. Before ordering parts or supplies, be sure to have your machine model number and serial number handy. Fill out the data block below for future reference.

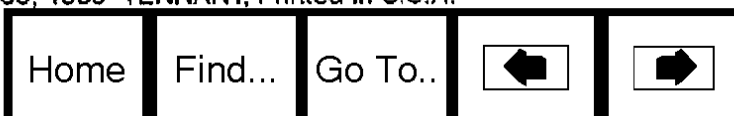
MACHINE DATA	
<i>Please fill out at time of installation.</i>	
Machine Serial Number –	_____
Engine Serial Number –	_____
Sales Representative –	_____
Customer Number –	_____
Date of Installation –	_____
Manual Number –	MM141
Revision:	08
Published:	9–89

03636

Trademark Registered in: Austria, Benelux, Denmark, England, France, Germany, Italy, Spain, Switzerland, United States, Argentina, Australia, Canada, Japan, Mexico, Sweden, by TENNANT, Minneapolis, Minnesota, U.S.A.

Acknowledgements: Technical information and/or illustrations supplied by Teledyne Continental Motors, Industrial Products Division, Inc.; Perkins Engines, Inc; Cessna Fluid Power Division; Eaton Corporation, Hydraulics Division.

Copyright 1986, 1987, 1988, 1989 TENNANT, Printed in U.S.A.



SECTION 5

	Page
ORDERING REPAIR PARTS	5-3
Fig. 1 - Recommended General Maintenance Items	5-4
Fig. 2 - Replacement Brushes	5-7
Fig. 3 - Main Frame Group	5-8
Fig. 4 - Seat and Seat Support Group	5-10
Fig. 5 - Side and Rear Doors Group	5-12
Fig. 6 - Engine Hood Assembly	5-13
Fig. 7 - Overhead Guard Group	5-14
Fig. 8 - Lintel Group	5-15
Fig. 9 - Hopper Lift Arms Group	5-16
Fig. 10 - Bumper Group	5-17
Fig. 11 - Side Brush Group	5-18
Fig. 12 - Filter Box Assembly	5-20
Fig. 13 - Hopper Group	5-22
Fig. 14 - Vacuum Fan Group	5-24
Fig. 15 - Directional Control Group	5-25
Fig. 16 - Main Brush Lift and Drive Group ..	5-26
Fig. 17 - Front Wheels and Brakes Group ..	5-28
Fig. 18 - Steering Control Group	5-30
Fig. 19 - Rear Wheel Support Group	5-31
Fig. 20 - Rear Wheel Assembly	5-32
Fig. 21 - Instrument Panel Assembly	5-33
Fig. 22 - Instrument Panel Assembly	5-34
Fig. 23 - Electrical Box Cover Assembly ...	5-35
Fig. 24 - Battery Group	5-36
Fig. 25 - Fuel Tank Group	5-37
Fig. 26 - Muffler Group	5-38
Fig. 27 - Air Cleaner Group	5-39
Fig. 28 - Engine Group	5-40
Fig. 29 - Radiator Group	5-42
Fig. 30 - Hydraulic System	5-43
Fig. 31 - Control Valves Group	5-44
Fig. 32 - Side Brush Motor and Hydraulic Cooler Group	5-45
Fig. 33 - Main Brush Drive Motor Group	5-46
Fig. 34 - Rear Wheel Drive Motor Group ...	5-47
Fig. 35 - Pumps and Vacuum Fan Motor Group	5-48
Fig. 36 - Hydraulic Reservoir Group	5-49
Fig. 37 - Hydraulic Reservoir and Lift Cylinder Group	5-50
Fig. 38 - Labels Group	5-52

NOTE: SECTION 5, LOW DUMP MODEL PARTS, lists repair parts for a low dump model, gasoline powered machine. This section also contains parts common to all models of the machine.

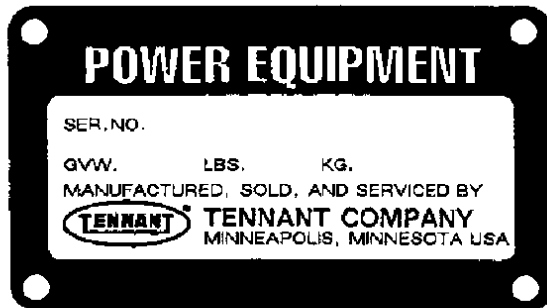
ORDERING REPAIR PARTS

The components used in this machine have been carefully selected for performance and safety. Use only Tennant Company specified or equivalent parts.

To receive prompt service in filling of your parts orders, please direct all orders for parts with Tennant Company part numbers to the Tennant Company, and all orders for parts with vendor part numbers to the local supplier of the respective vendor.

When ordering parts, please furnish all of the following information:

1. Machine model number - shown on the machine data plate.



2. Machine serial number - shown on the machine data plate.
3. Power source - gasoline, LPG, diesel, electric.
4. Company name.
5. Shipping address.
6. Billing address.
7. Name, first and last - of person ordering parts.
8. Telephone number.
9. Purchase order number.
10. Part number, description, and quantity - of each item on the order.
11. Customer ID Number.

Do not order parts by key number or the figure number of the illustrated parts. Indented items indicate parts of assemblies. Standard hardware is furnished only when part of a purchased assembly. Please get hardware from a local hardware supplier.

If the old part cannot be identified, send it to us with the quantity needed specified on the order.

Any claim for loss or damage to a shipment in transit should be filed promptly against the transportation company making the delivery. Shipments will be complete unless the packing list or order acknowledgement indicate items back ordered.

If parts received are suspected to be incorrect or defective, please write, wire, or phone the Tennant Company representative from whom you ordered the part. They will give authorization for return and/or handle replacement shipments when required.

SERIAL NUMBER INFORMATION EXPLANATION

Serial number listings are shown to indicate on which machines each part can be used. These listings are explained by the following examples:

- (000000-) The part can be used on all machines.
- (003342-) The part can be used on all machines beginning with the serial number listed.
- (000000-004320) The part can be used on all machines up to and including serial number listed.
- (004321-005678) The part can be used on all machines between and including the serial numbers listed.

Where xxxxx's are listed in place of a serial number, it indicates a change was made but the exact serial number had not been established when the catalog went to press.

**SI UNITS OF MEASURE
(INTERNATIONAL SYSTEM)**

Metric equivalents have been included, where applicable, throughout this parts catalog.

FASTENER STRENGTH IDENTIFICATION

Fasteners required to have high-strength qualities equivalent to SAE Grade 8 are identified throughout this catalog by the description GR 8. Unless identified by this description, all standard fasteners are SAE Grade 5.

(Specifications and design subject to change without notice.)

LOW DUMP MODEL PARTS

01430

Fig. 1 - Recommended General Maintenance Items

Key	TENNANT® Part No.	Machine Serial Number	Description	Qty.
	31319	(000000-)	Maintenance Kit, Gasoline	1
	39703-2	(000000-)	Element, Oil Filter	4
	34726	(000000-)	Spark Plug	4
	34194	(000000-)	V-Belt	1
	34749	(000000-)	Filter, Fuel	1
	58120	(000000-)	Element, Air Cleaner	2
	34193	(000000-)	Cap, Distributor	1
	34189	(000000-)	Rotor	1
	31320	(000000-)	Maintenance Kit, Gasoline, SE	1
	39929-3	(000000-)	Filter, Air	2
	34194	(000000-)	V-Belt	1
	34726	(000000-)	Spark Plug	4
	39703-2	(000000-)	Element, Oil Filter	4
	34749	(000000-)	Filter, Fuel	1
	34193	(000000-)	Cap, Distributor	1
	34189	(000000-)	Rotor	1
	31321	(000000-)	Maintenance Kit, LPG	1
	39703-2	(000000-)	Element, Oil Filter	4
	34297	(000000-)	Spark Plug	4
	34194	(000000-)	V-Belt	1
	58120	(000000-)	Element, Air Cleaner	2
	SK1444	(000000-)	Repair Kit, Fuel Filter Lock	1
	34193	(000000-)	Cap, Distributor	1
	34189	(000000-)	Rotor	1
	31322	(000000-)	Maintenance Kit, Continental Diesel	1
	39703-2	(000000-)	Element, Oil Filter	4
	34194	(000000-)	V-Belt	1
	52770-9	(000000-)	Element, Fuel Filter	1
	76335	(000000-)	Element, Air Cleaner	2
	31315	(000000-)	Maintenance Kit, Skirts and Seals, Main Brush	1
	65079-1	(000000-)	Seal, Foam Rubber	2
	34535	(000000-)	Skirt, Side	2
	34772	(000000-)	Seal Package, Brush Door	1
	51090	(000000-)	Seal, Side Pan	2
	51091	(000000-)	Retainer, Side Seal	2
	65073	(000000-)	Skirt	1
	62111	(000000-)	Strip	1
	09342	(000000-)	Chain, Link	1
	62153	(000000-)	Blade, Deflector	1
	65076	(000000-)	Seal	2
	65107	(000000-)	Strip, Retainer	2
	47037	(000000-)	Adhesive, 5 oz Tube (150 cc)	1
	31316	(000000-)	Maintenance Kit, Seals and Skirts, Low Dump	1
	51143	(000000-)	Plate, Wear, Hopper	1

LOW DUMP MODEL PARTS

Key	TENNANT® Part No.	Machine Serial Number	Description	Qty.
	16783	(000000-)	Strip, Hopper Lip	1
	09928	(000000-)	Retainer, Hopper Lip	1
	16788	(000000-)	Seal, Dust Door	1
	34638	(000000-)	Gasket, Hopper Cover	1
	36882	(000000-)	Seal, Dust Dump Door	1
	34721	(000000-)	Seal, Dust Door	1
	51163	(000000-)	Seal, Foam Rubber	1
	51164	(000000-)	Seal, Foam Rubber	1
	51881	(000000-)	Hose	1
	34759	(000000-)	Seal	2
	34760	(000000-)	Seal	2
	16785	(000000-)	Sleeve, Rubber	4
	36865	(000000-)	Sleeve, Rubber	4
	36861	(000000-)	Strip, Rubber	2
	36858	(000000-)	Strip, Rubber	2
	47037	(000000-)	Adhesive, 5 oz Tube (150 cc)	1
	31318	(000000-)	Maintenance Kit, Seals and Skirts, Hopper, MLD, AA	1
	16788	(000000-)	Seal, Dust Door	1
	34685	(000000-)	Seal	1
	34686	(000000-)	Strip, Backing	2
	16784	(000000-)	Strip, Hopper Lip	1
	09928	(000000-)	Retainer, Lip Hopper	1
	34689	(000000-)	Seal, Door	1
	39587	(000000-)	Strip	1
	34681	(000000-)	Retainer, Seal	4
	34682	(000000-)	Seal	2
	34689	(000000-)	Seal, Door	1
	34690	(000000-)	Cord, Sponge	1
	34687	(000000-)	Plate, Wear	1
	47037	(000000-)	Adhesive, 5 oz Tube (150 cc)	1
	34083	(000000-)	Seal, Foam Rubber	2
	34084	(000000-)	Seal, Foam Rubber	2
	34659	(000000-)	Gasket, Hopper Cover	1
	51163	(000000-)	Seal, Foam Rubber	1
	51164	(000000-)	Seal, Foam Rubber	1
	34074	(000000-)	Seal, Foam Rubber	2
	36844	(000000-)	Seal	2
	34759	(000000-)	Seal	2
	34760	(000000-)	Seal	2
	48651	(000000-)	Seal, Foam Rubber	1
	32571	(000000-)	Sealant, 10 oz Tube (295 cc)	3
	31317	(000000-)	Maintenance Kit, Seals and Skirts, SE	1
	34690	(000000-)	Cord, Sponge	1
	39587	(000000-)	Strip	1

LOW DUMP MODEL PARTS

Key	TENNANT® Part No.	Machine Serial Number	Description	Qty.
	34689	(000000-)	Seal, Door	1
	34685	(000000-)	Seal	1
	34686	(000000-)	Strip, Backing	2
	16784	(000000-)	Strip, Hopper Lip	1
	34682	(000000-)	Seal	2
	51163	(000000-)	Seal, Foam Rubber	1
	51164	(000000-)	Seal, Foam Rubber	1
	16788	(000000-)	Seal, Dust Door	1
	47037	(000000-)	Adhesive, 5 oz Tube (150 cc)	1
	34687	(000000-)	Plate, Wear	1
	16788	(000000-)	Seal, Dust Door	1
	34681	(000000-)	Retainer, Seal	4
	34682	(000000-)	Seal	2
	34759	(000000-)	Seal	2
	34760	(000000-)	Seal	2
	34659	(000000-)	Gasket, Hopper Cover	1
	09928	(000000-)	Retainer, Hopper Lip	1

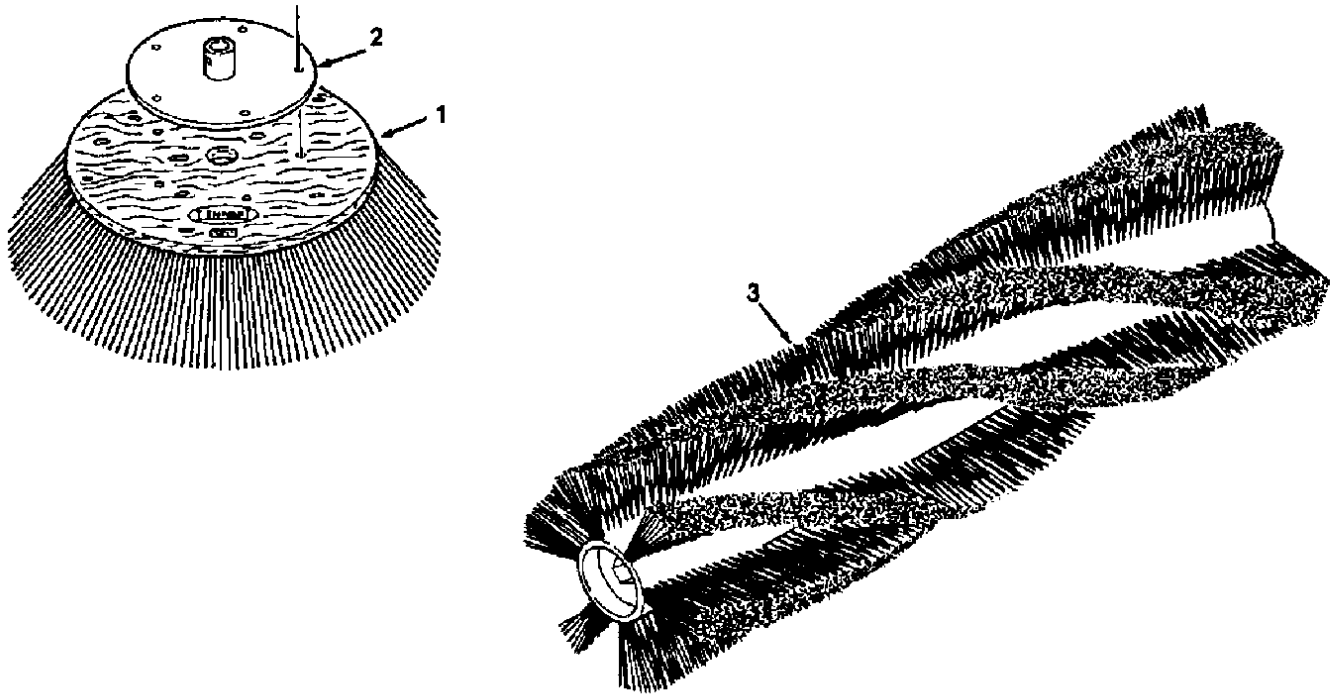


Fig. 2 - Replacement Brushes

01429

Key	TENNANT® Part No.	Machine Serial Number	Description	Qty.
1	51870N	(000000-)	Nylon Side Brush Assembly	1
	51021N	(000000-)	Side Brush, Nylon	1
2	51963	(000000-)	Adaptor, Side Brush	1
	51939	(000000-)	Flat Wire Side Brush Assembly	1
	51542	(000000-)	Side Brush, Flat Wire	1
	51963	(000000-)	Adaptor, Side Brush	1
3	51487	(000000-)	Main Brush, Proex	1
3	51567	(000000-)	Main Brush, Brite Wire	1
3	51709	(000000-)	Main Brush, Proex and Wire Mix	1
3	51887	(000000-)	Main Brush, Nylon, 4 Row	1
3	52287	(000000-)	Main Brush, Prostrain	1
3	52213	(000000-)	Main Brush, Nylon, 24 Row	1
	12876		Brush Kit, Flange Repair	1

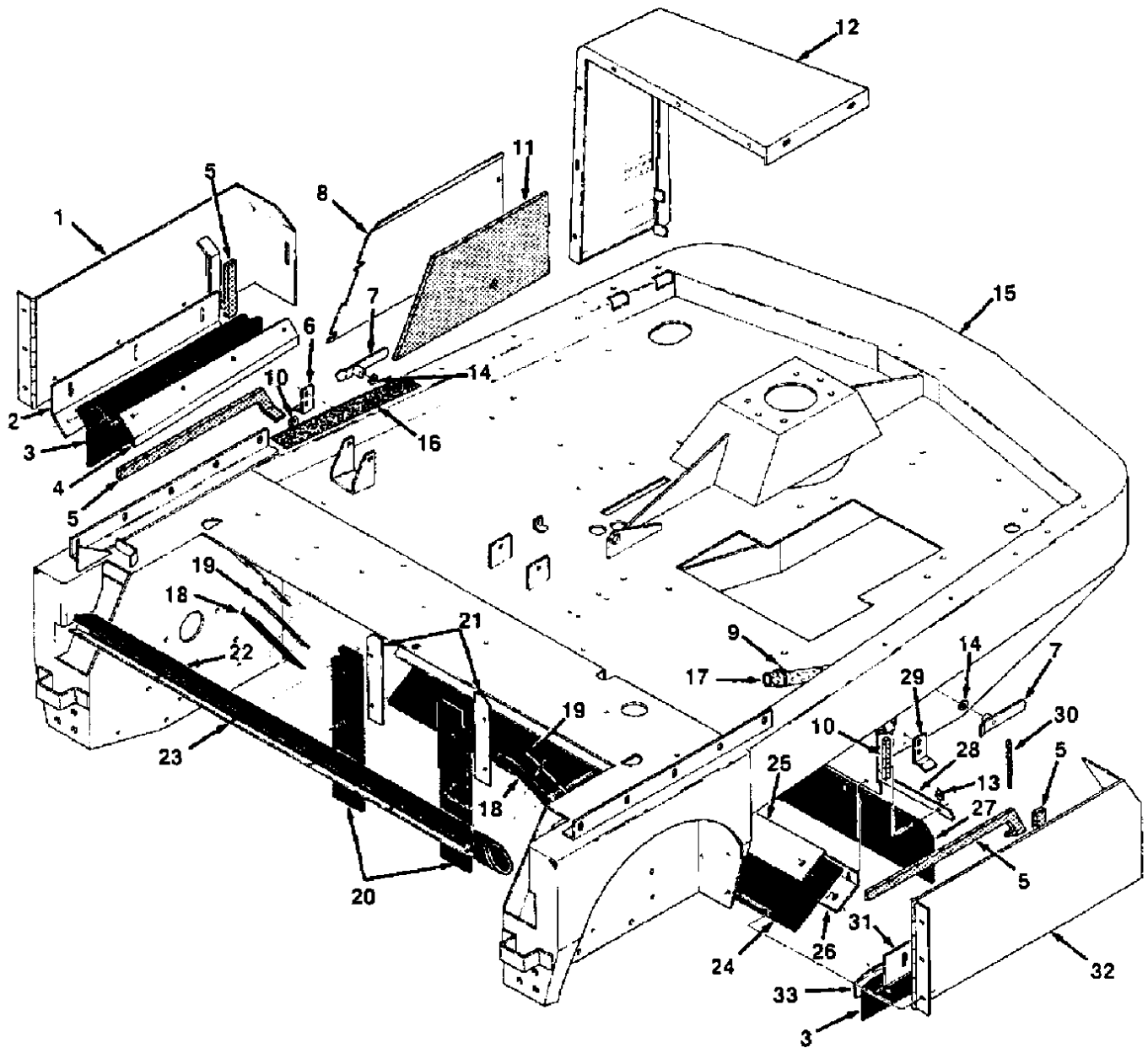


Fig. 3 - Main Frame Group

Fig. 3 - Main Frame Group

Key	TENNANT® Part No.	Machine Serial Number	Description	Qty.
1	34545	(000000-)	Door, R.H.	1
2	34543	(000000-)	Bracket, Side Skirt, R.H.	1
3	34535	(000000-)	Skirt, Side	2
4	34542	(000000-)	Retainer, Side Skirt, R.H.	1
5	34772	(000000-)	Seal Replacement Kit	1
6	51172	(000000-)	Door Clip, R.H.	1
7	52290	(000000-)	Handle	2
8	51995	(000000-)	Panel, Access	1
9	49266	(000000-)	Tie, Cable, 6.75" (170 mm)	2
10	65079-1	(000000-)	Seal, Foam Rubber	2
11	34244	(000000-)	Foam, Acoustic	1
12	51325	(000000-)	Panel, Rear Corner, R.H.	1
13	02485	(000000-)	Nut, Retainer	7
14	52296	(000000-)	Washer, Nylon	2
15	34155	(000000-)	Frame, Main	1
16	75430	(000000-)	Pad, Tread	1
17	34329	(000000-)	Sleeve, Hydraulic Hose	1
18	65076	(000000-)	Seal	2
19	65107	(000000-)	Strip, Retainer	2
20	51090	(000000-)	Seal, Pan Side	2
21	51091	(000000-)	Retainer, Side Seal	2
22	51233	(000000-)	Seal, Pan Top	1
23	51094	(000000-)	Strip	1
24	62153	(000000-)	Blade, Deflector	1
25	62644	(000000-)	Strip	1
26	62152	(000000-)	Bracket, Rear Deflector	1
27	65073	(000000-)	Skirt	1
28	62111	(000000-)	Strip	1
29	51172-1	(000000-)	Door Clip, L.H.	1
30	09342	(000000-)	Chain	1
31	34536	(000000-)	Bracket, Side Skirt, L.H.	1
32	34540	(000000-)	Door, L.H.	1
33	34537	(000000-)	Retainer, Side Skirt, L.H.	1

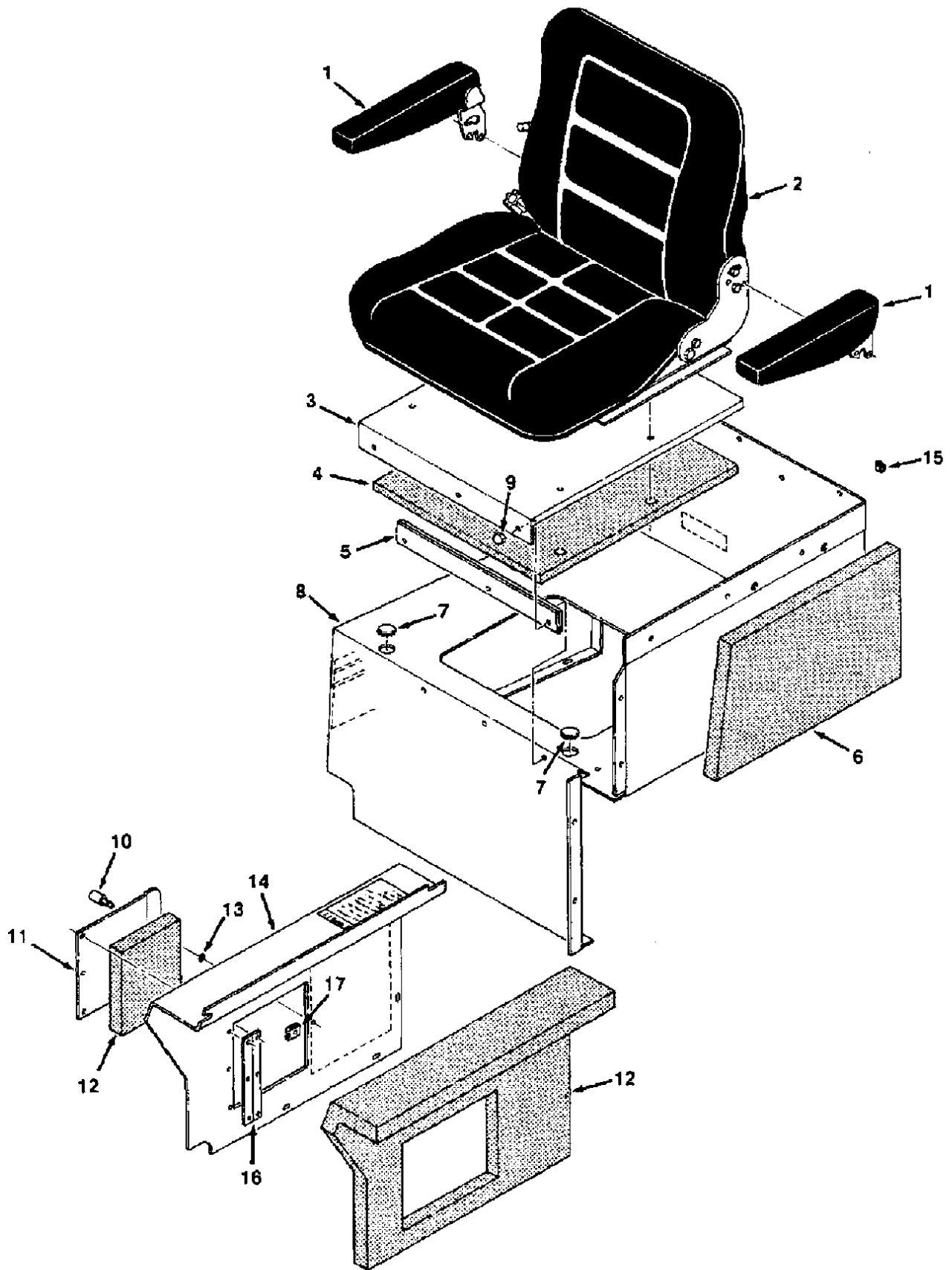


Fig. 4 - Seat and Seat Support Group

Fig. 4 - Seat and Seat Support Group

Key	TENNANT® Part No.	Machine Serial Number	Description	Qty.
1	34252	(000000-)	Armrest Assembly, L.H. and R.H.	1
2	34251	(000000-)	Seat	1
3	34229	(000000-)	Base, Seat Mount	1
4	34234	(000000-)	Foam, Acoustic	1
5	34246	(000000-)	Hinge, Seat	1
6	34221	(000000-)	Support, Seat	1
7	47178	(000000-)	Plugbutton	2
8	34279	(000000-)	Foam, Acoustic	1
9	41128	(000000-)	Nut, Acorn	3
10	62612	(000000-)	Fastener	1
11	62614	(000000-)	Door, Access	1
12	34254	(000000-)	Foam, Acoustic	1
13	55655-4	(000000-)	Fastener	1
14	34114	(000000-)	Dust Shield and Label Assembly	1
15	26395-2	(000000-)	Clamp, Cable	2
16	62615	(000000-)	Hinge	1
17	55655-5	(000000-)	Fastener	1

LOW DUMP MODEL PARTS

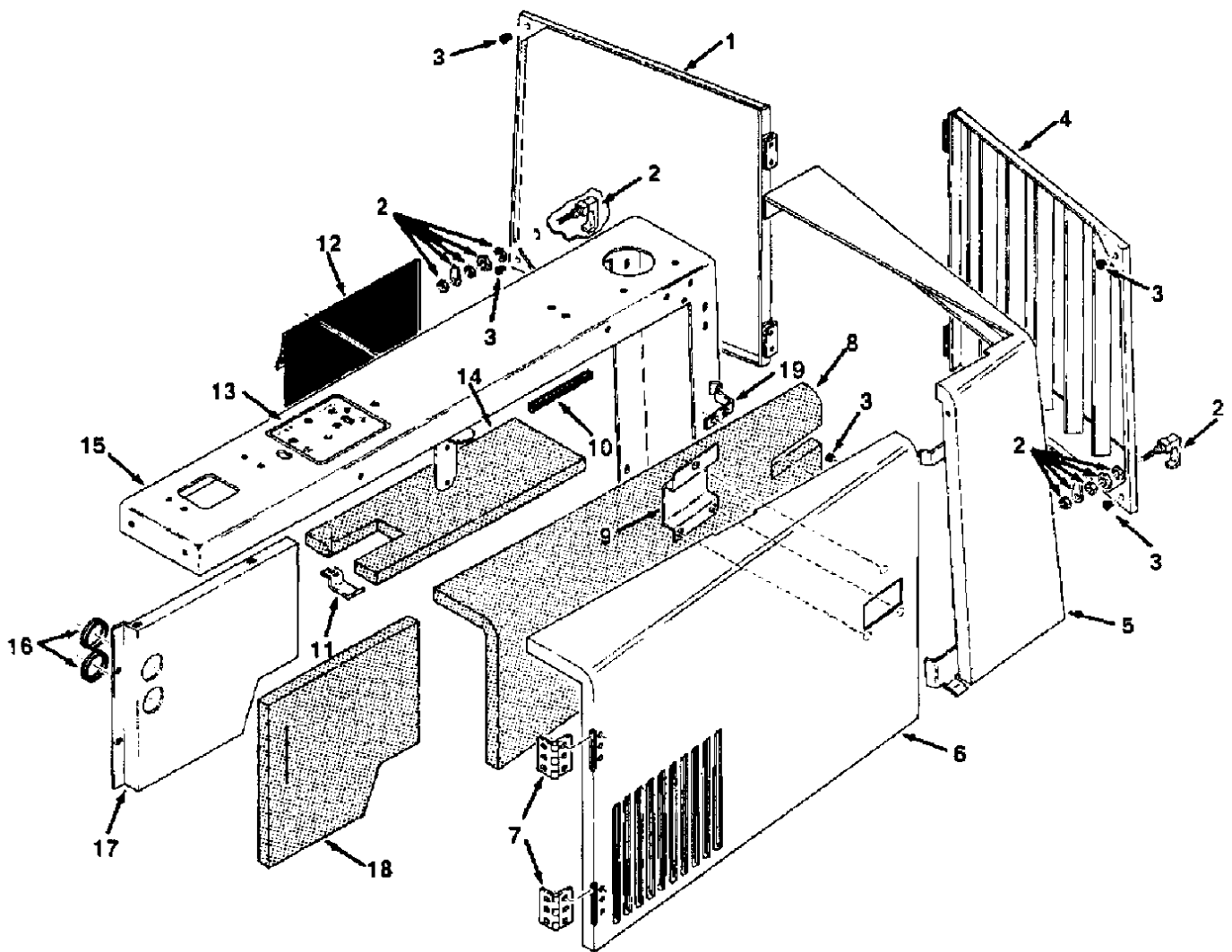


Fig. 5 - Side and Rear Doors Group

01559

Key	TENNANT® Part No.	Machine Serial Number	Description	Qty.
1	34275	(000000-)	Door, Rear, R.H.	1
2	51375-1	(000000-)	Fastener	2
3	51787	(000000-)	Bumper, Rubber	6
4	34274	(000000-)	Door, Rear, L.H.	1
5	52867	(000000-)	Panel, Corner, Rear, L.H.	1
8	16762	(000000-)	Door Assembly, Side, Engine	1
7	47974	(000000-)	Hinge, Reversed Type	2
8	16760	(000000-)	Insulation, Panel	1
9	16755	(000000-)	Channel, Door Pull	1
10	62595-3	(000000-)	Molding, Rigid, 5.75" (145 mm)	1
11	54217	(000000-)	Bracket, Clamp	1
12	68275	(000000-)	Pouch, Manual	1
13	34139	(000000-)	Label, Throttle and Side Brush	1
14	51972-1	(000000-)	Insulation, Panel	1
15	34197	(000000-)	Stiffener, Lintel	1
16	47080	(000000-)	Grommet	2
17	62209-1	(000000-)	Panel, Noise Deflector	1
18	62210	(000000-)	Insulation	1
19	53697	(000000-)	Catch, Spring	2

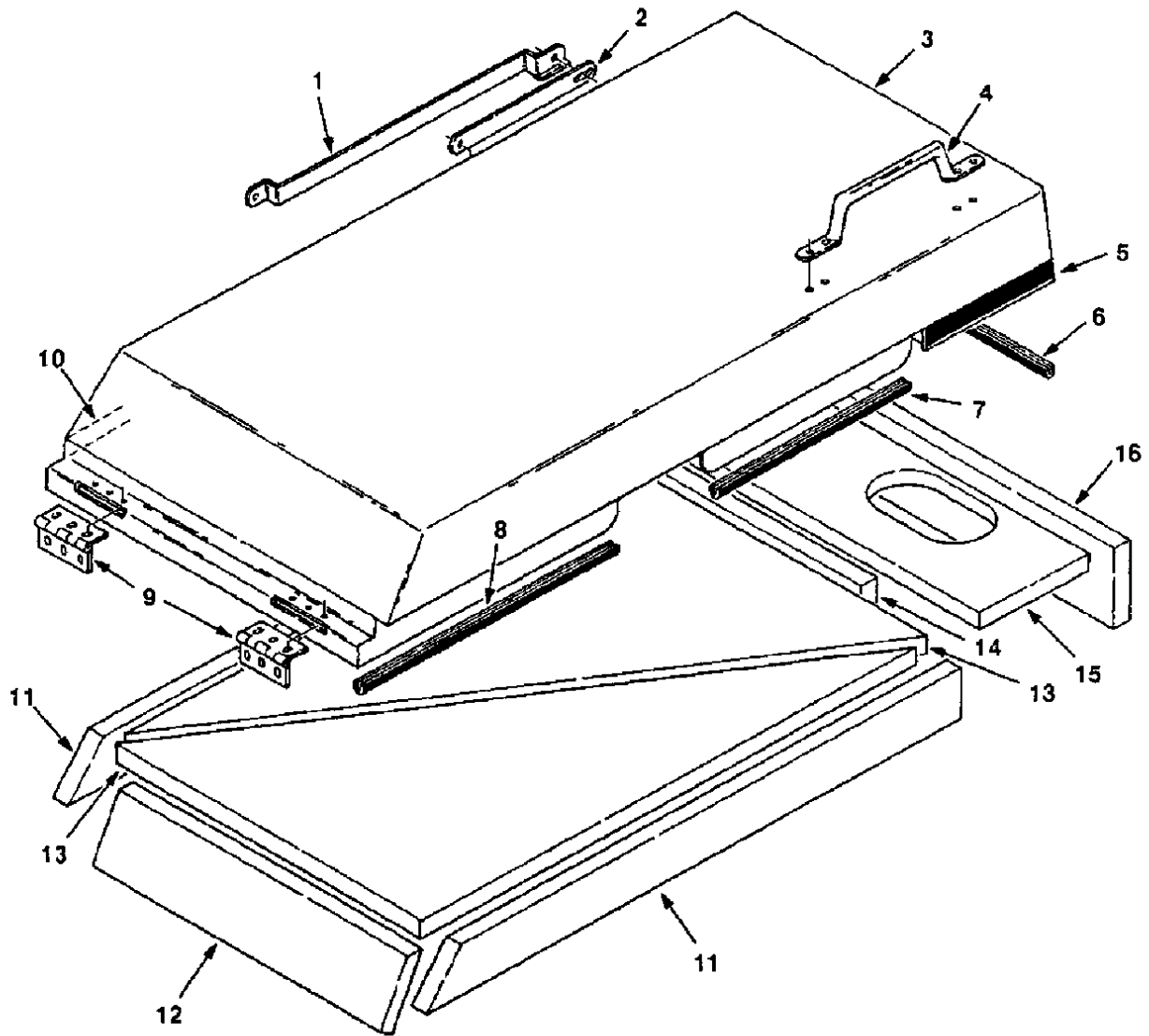


Fig. 6 – Engine Hood Assembly

01537

Key	TENNANT® Part No.	Machine Serial Number	Description	Qty.
1	62757	(000000-)	Arm, Hinge	1
2	62759	(000000-)	Arm, Hinge	1
3	34952	(000000-)	Engine Hood Assembly	1
4	32822	(000000-)	Handle, Grab	1
5	52960	(000000-)	Tape, Trim	1
6	62170	(000000-)	Molding, Rigid, 18.00" (455 mm)	1
7	62170-1	(000000-)	Molding, Rigid, 12.25" (305 mm)	1
8	62170-2	(000000-)	Molding, Rigid, 16.75" (425 mm)	1
9	47974	(000000-)	Hinge, Reversed Type	2
10	52961	(000000-)	Tape, Trim	1
11	52848	(000000-)	Insulation	2
12	52846	(000000-)	Insulation	1
13	52849-3	(000000-)	Insulation	2
14	52843	(000000-)	Insulation	1
15	34934	(000000-)	Foam, Acoustic	1
16	62055	(000000-)	Insulation	1

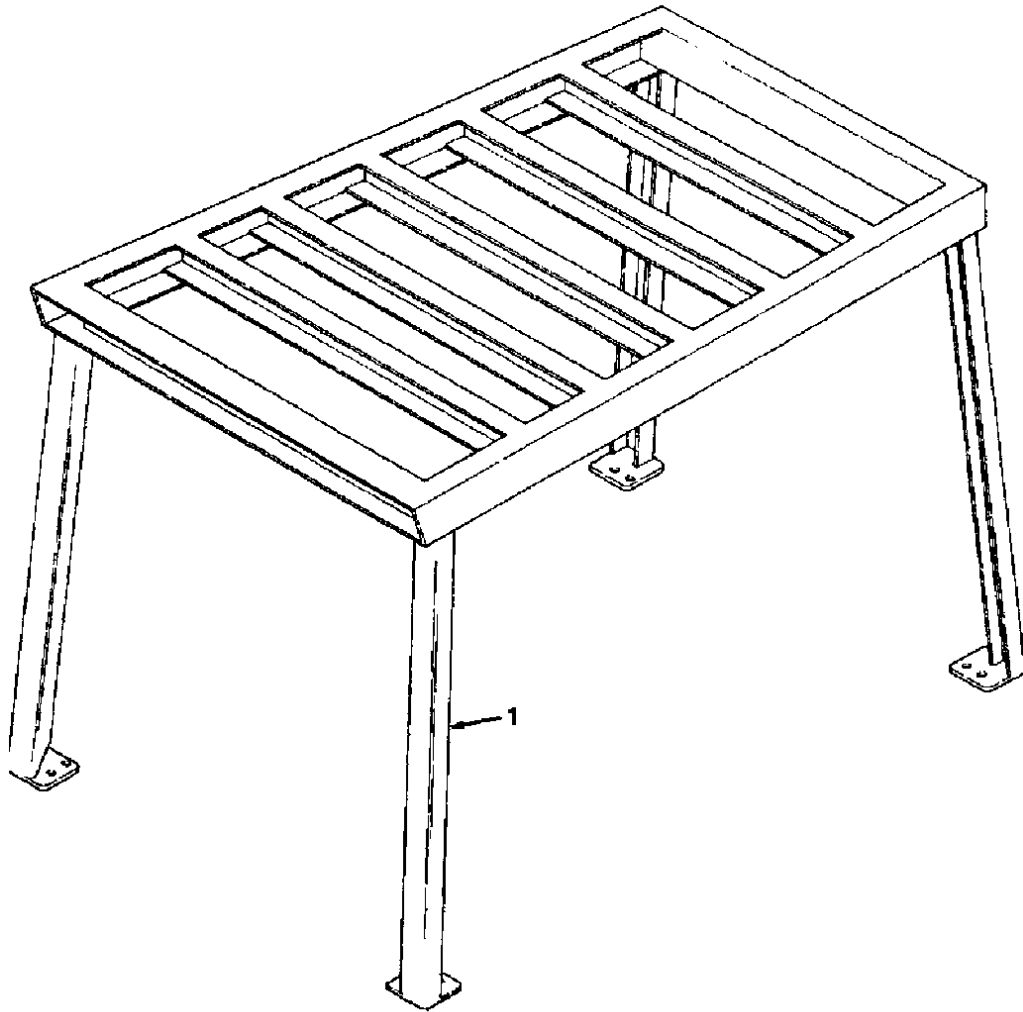


Fig. 7 - Overhead Guard Group

01563

Key	TENNANT® Part No.	Machine Serial Number	Description	Qty.
1	62009	(000000-)	Guard, Overhead	1

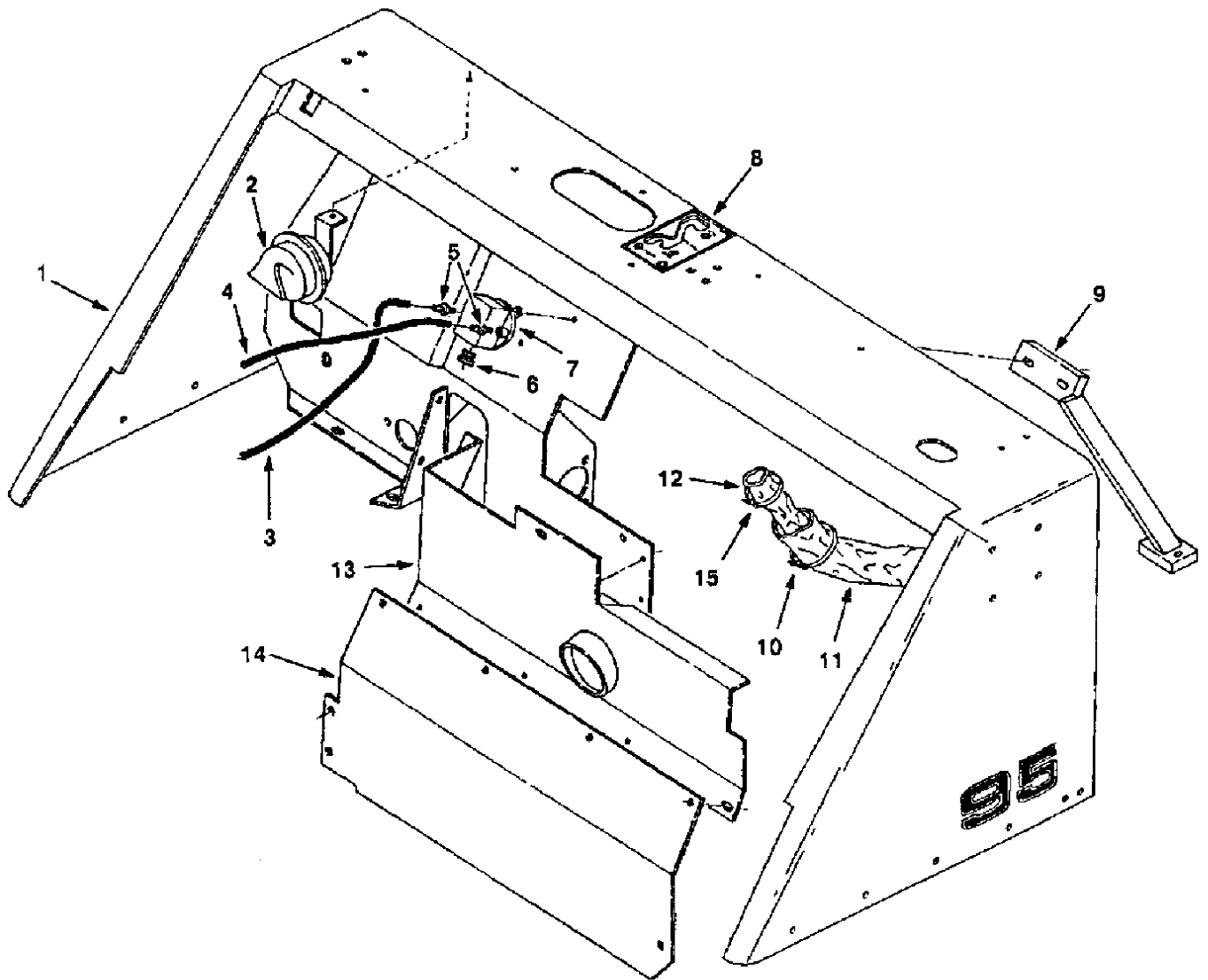


Fig. 8 - Lintel Group

01563

Key	TENNANT® Part No.	Machine Serial Number	Description	Qty.
1	34203	(000000-)	Lintel	1
2	14138A	(000000-)	Horn	1
3	34072	(000000-)	Hose	1
4	39780-1	(000000-)	Hose	1
5	40607	(000000-)	Fitting, Straight, Barbed	2
6	37031	(000000-)	Strain Relief	1
7	34868	(000000-)	Switch, Pressure	1
8	34119	(000000-)	Label, Main Brush	1
9	65054	(000000-)	Brace, Lintel	1
10	49263	(000000-)	Tie, Cable, 11" (280 mm)	3
11	34330	(000000-)	Sleeve, Hydraulic Hose	1
12	34313	(000000-)	Sleeve, Hydraulic Hose	1
13	36732	(000000-)	Panel, Access	1
14	36735	(000000-)	Plate, Lower Shroud	1
15	49266	(000000-)	Tie, Cable, 6.75" (170 mm)	19

LOW DUMP MODEL PARTS

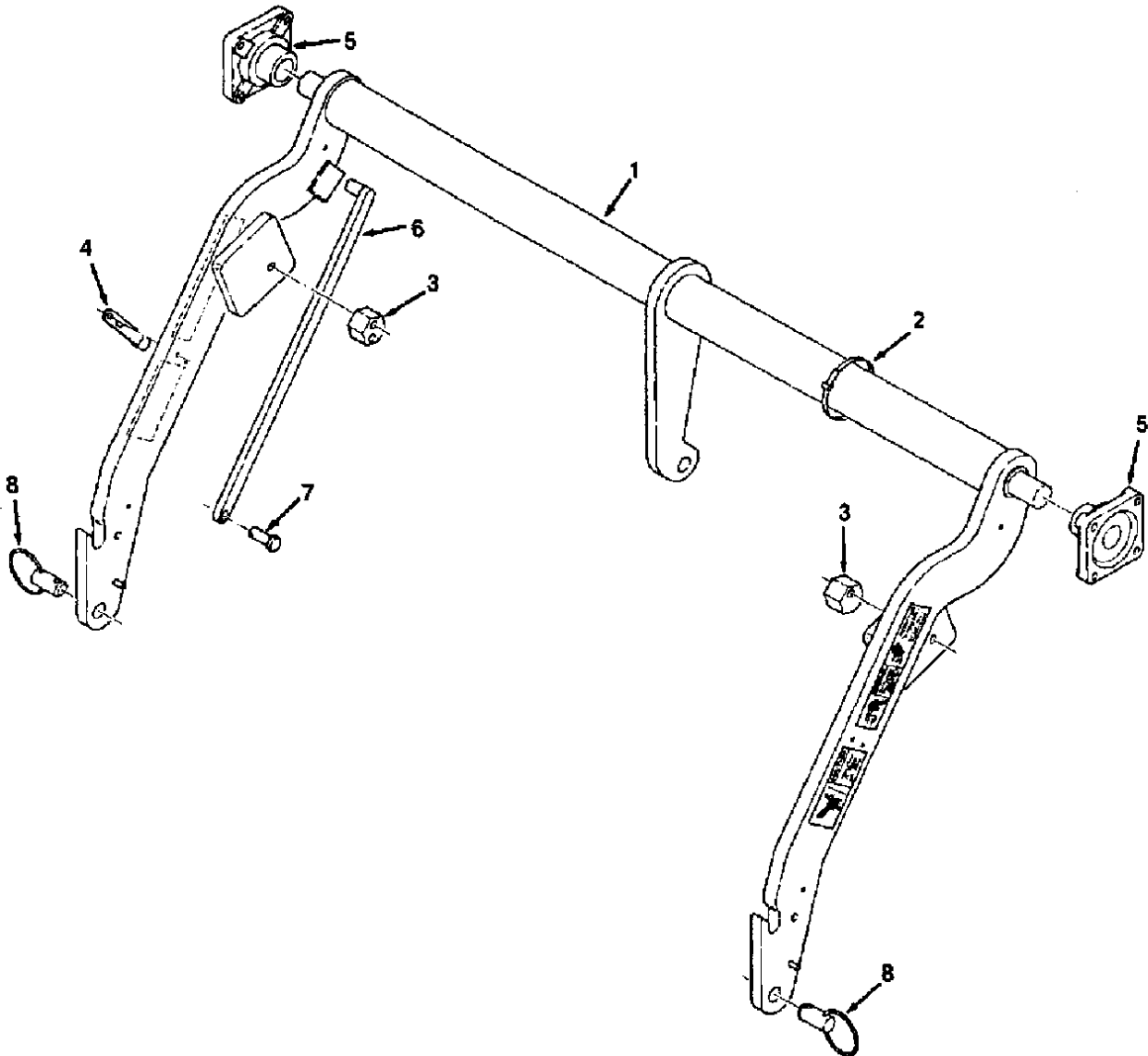


Fig. 9 - Hopper Lift Arms Group

01556

Key	TENNANT® Part No.	Machine Serial Number	Description	Qty.
1	34116	(000000-)	Hopper Lift Arm and Label Assembly	1
2	44961	(000000-)	Tie, Cable	8
3	36995	(000000-)	Cam, Eccentric	2
4	52036	(000000-)	Catch, Safety Arm	1
5	51315	(000000-)	Bearing, Flange	2
6	51883	(000000-)	Arm, Safety	1
7	51876	(000000-)	Pin, Clevis	1
8	51316	(000000-)	Pin, Quick Release	2

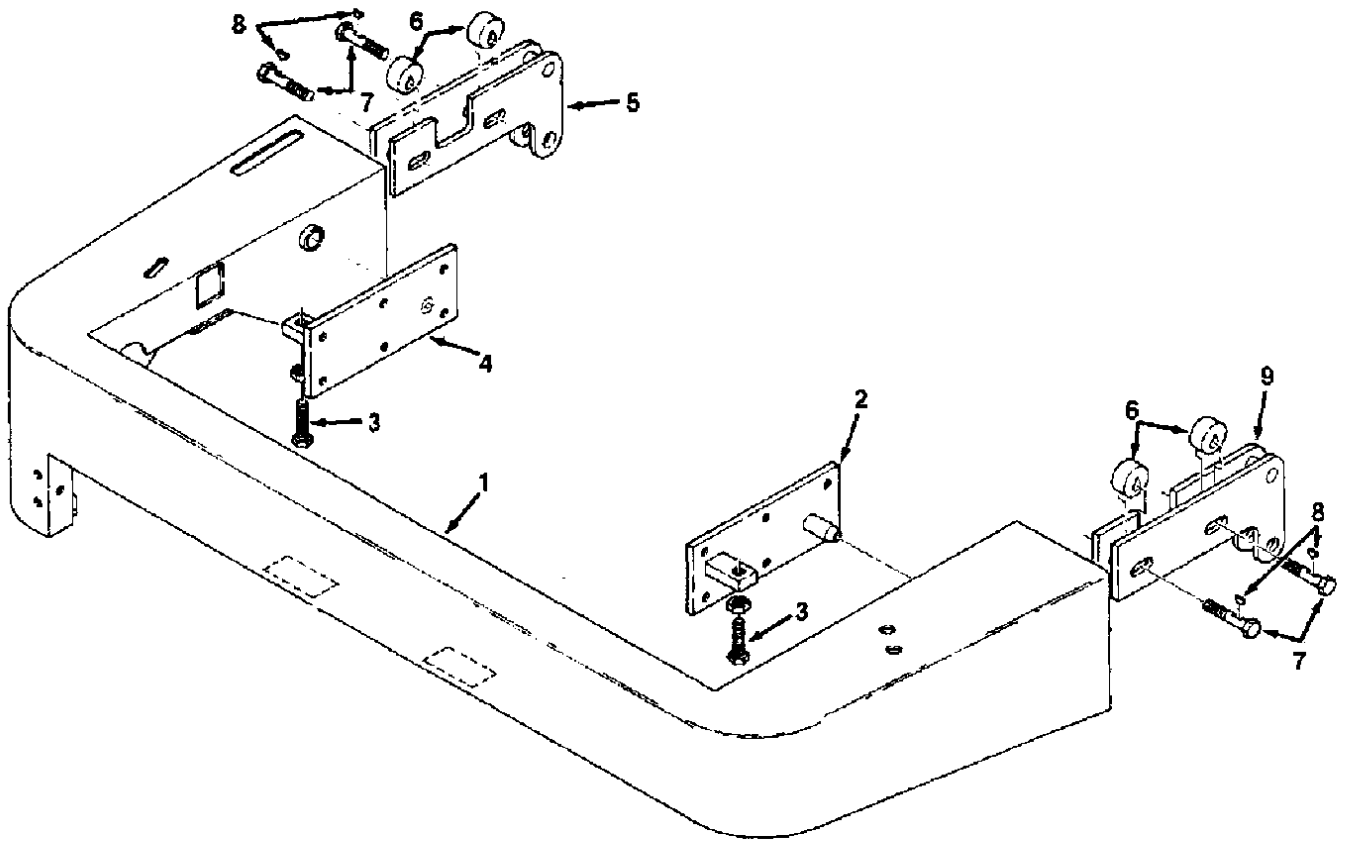


Fig. 10 - Bumper Group

01650

Key	TENNANT® Part No.	Machine Serial Number	Description	Qty.
1	34110	(00000-002641)	Bumper and Label Assembly	1
1	16770	(002642-)	Bumper and Label Assembly	1
2	51156	(000000-)	Adjuster, Hopper, L.H.	1
3	39395	(000000-)	Screw, Hex	2
4	51151	(000000-)	Adjuster, Hopper, R.H.	1
5	51116-1	(000000-)	Adapter, Hopper, R.H.	1
6	51128	(000000-)	Cam, Lift Bar	4
7	51108	(000000-)	Screw, Special	4
8	00500-5	(000000-)	Key, Woodruff	4
9	51116	(000000-)	Adapter, Hopper, L.H.	1

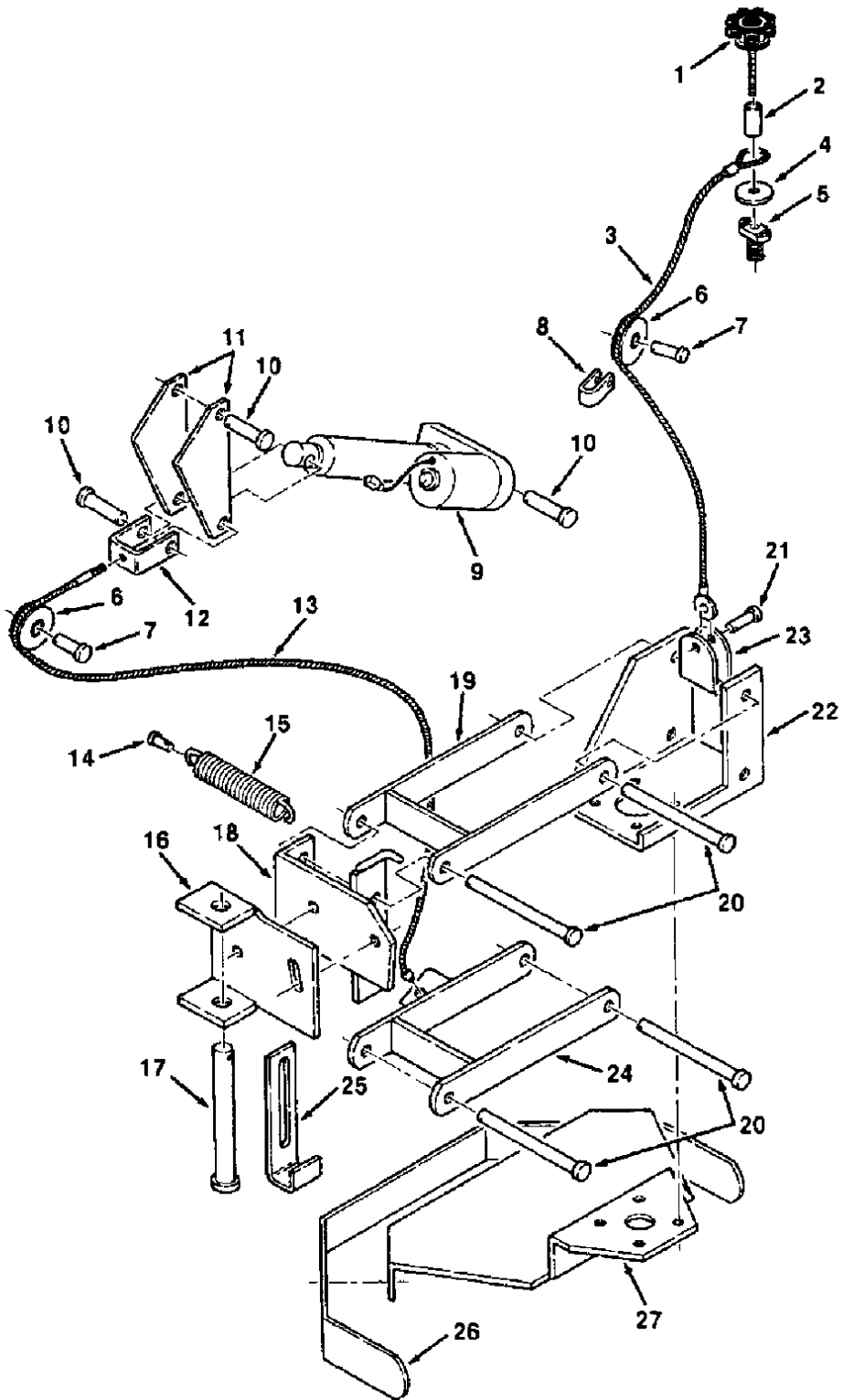


Fig. 11 - Side Brush Group

Fig. 11 - Side Brush Group

Key	TENNANT® Part No.	Machine Serial Number	Description	Qty.
1	36468	(000000-)	Knob	1
2	09031	(000000-)	Sleeve	1
3	34500	(000000-)	Cable, Side Brush Adjusting	1
4	36996	(000000-)	Washer	1
5	34511	(000000-)	Nut, Spring Loaded	1
6	34532	(000000-)	Roller, Cable	2
7	51529	(000000-)	Pin, Clevis	2
8	34529	(000000-)	Guide, Cable	1
9	34512	(000000-002641)	Actuator	1
9	16780	(002642-)	Actuator	1
10	51534	(000000-)	Pin, Clevis	3
11	34503	(000000-002641)	Arm, Actuator Swing	2
11	16781	(002642-)	Arm, Actuator Swing	2
12	34504	(000000-)	Connector, Cable	1
13	34501	(000000-)	Cable, Side Brush Lift	1
14	46800	(000000-)	Pin, Clevis	1
15	47745	(000000-)	Spring	1
16	52667	(000000-)	Pivot	1
17	51414	(000000-)	Pin, Clevis	1
18	52663	(000000-)	Bracket, Side Brush	1
19	45599	(000000-)	Link, Parallel	1
20	51225	(000000-)	Pin, Clevis	4
21	46657	(000000-)	Pin, Clevis	1
22	62303	(000000-)	Bracket, Motor Mounting	1
23	52742	(000000-)	Channel	1
24	34523	(000000-)	Link, Parallel	1
25	34522	(000000-)	Bracket, Side Brush Stop	1
26	51210	(000000-)	Bumper, Side Brush	1
27	51209A	(000000-)	Bracket, Bumper Support	1
28	53963A	(000000-)	Screw, Hex	1

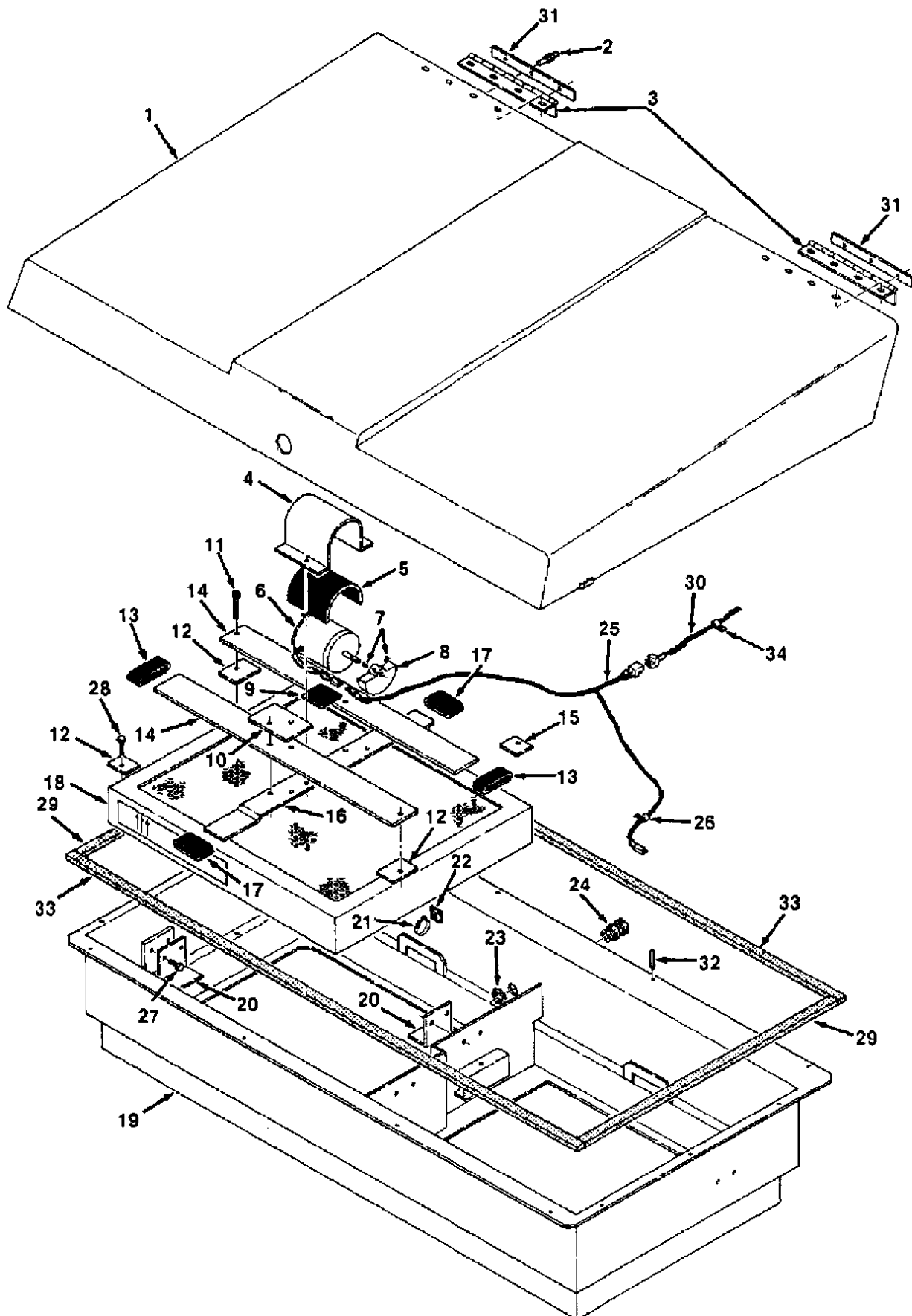


Fig. 12 - Filter Box Assembly

Fig. 12 - Filter Box Assembly

Key	TENNANT® Part No.	Machine Serial Number	Description	Qty.
1	34634	(000000-)	Cover, Filter Box	1
2	39923	(000000-)	Fitting, Barbed Bulkhead	1
3	34622	(000000-)	Hinge	2
	34549	(000000-)	Filter Box Assembly	1
4	36666	(000000-)	Strap, Shaker Motor	2
5	36658	(000000-)	Strip	2
6	54121	(000000-)	Motor, Shaker	2
7	20634	(000000-)	Screw, Set	4
8	34773	(000000-)	Weight, Eccentric	2
9	36661	(000000-)	Strip	2
10	34739	(000000-)	Bar, Spring	2
11	16737	(000000-)	Screw, Socket Head, Nyloc	4
12	34741	(000000-)	Bar, Spacer	4
13	16785	(000000-)	Sleeve	4
14	34756	(000000-)	Spring, Flat Beater	4
15	55190	(000000-)	Bar, Retainer	4
16	34755	(000000-)	Yoke, Shaker Motor	2
17	36665	(000000-)	Sleeve	4
18	34771	(000000-)	Filter Assembly	2
19	16835	(000000-)	Box, Panel Filters	1
20	34754	(000000-)	Bracket, Spring Stop	4
21	49266	(000000-)	Tie, Cable, 6.75" (170 mm)	2
22	55248	(000000-)	Mount, Cable Tie	2
23	10125	(000000-)	Nut, Lock	1
24	27223	(000000-)	Strain Relief	1
25	34826	(000000-)	Wire Harness, Shaker	1
26	46236	(000000-)	Clamp, Cable	2
27	16736	(000000-)	Screw, Nyloc Hex	4
28	34292	(000000-)	Screw, Nyloc Hex	4
29	34760	(000000-)	Seal	2
30	34827	(000000-)	Wire Harness, Hopper	1
31	34070	(000000-)	Shim, Hinge	2
32	34738	(000000-)	Rivet, Steel	14
33	34759	(000000-)	Seal	2
34	09385	(000000-)	Clamp, Cable	3

LOW DUMP MODEL PARTS

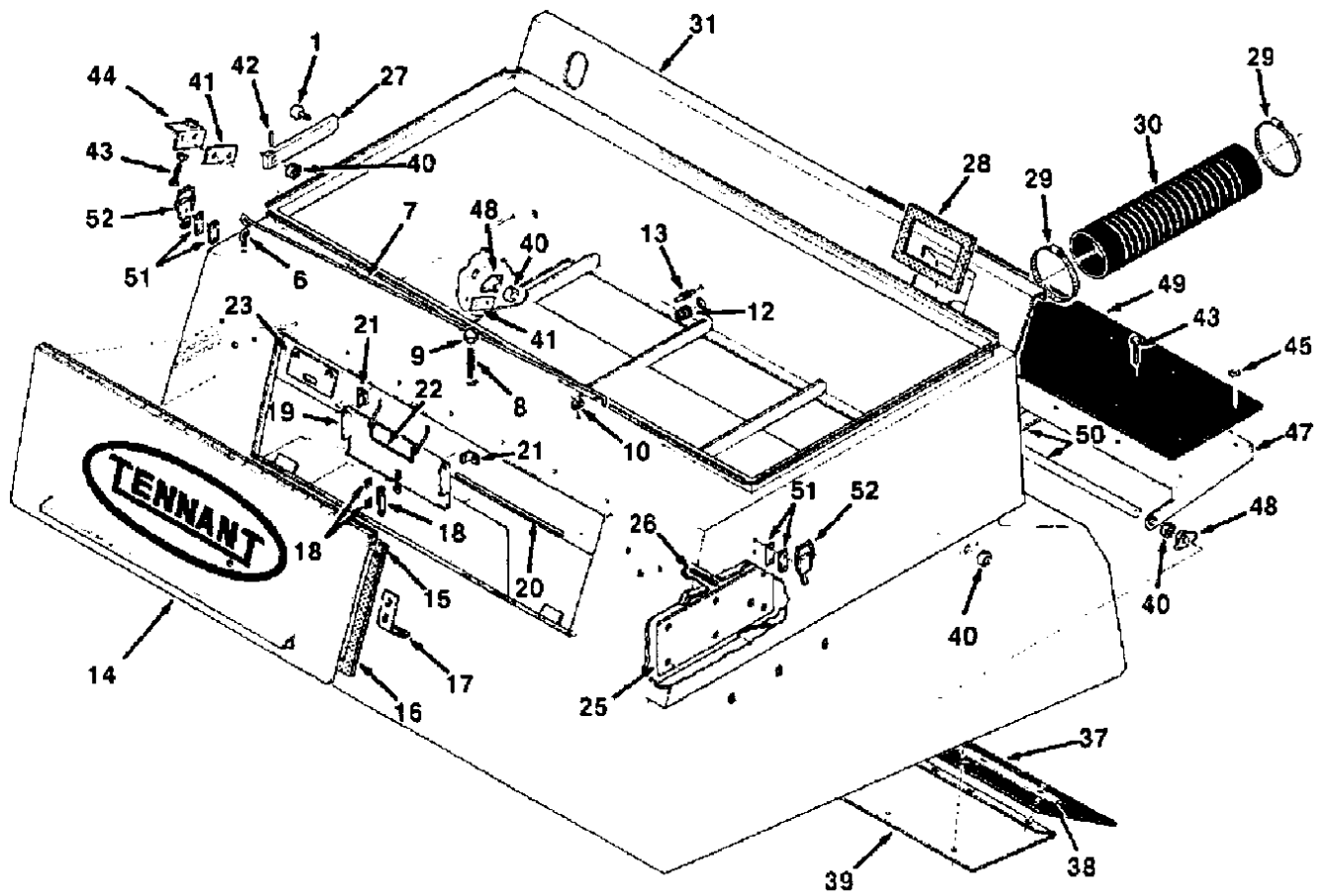
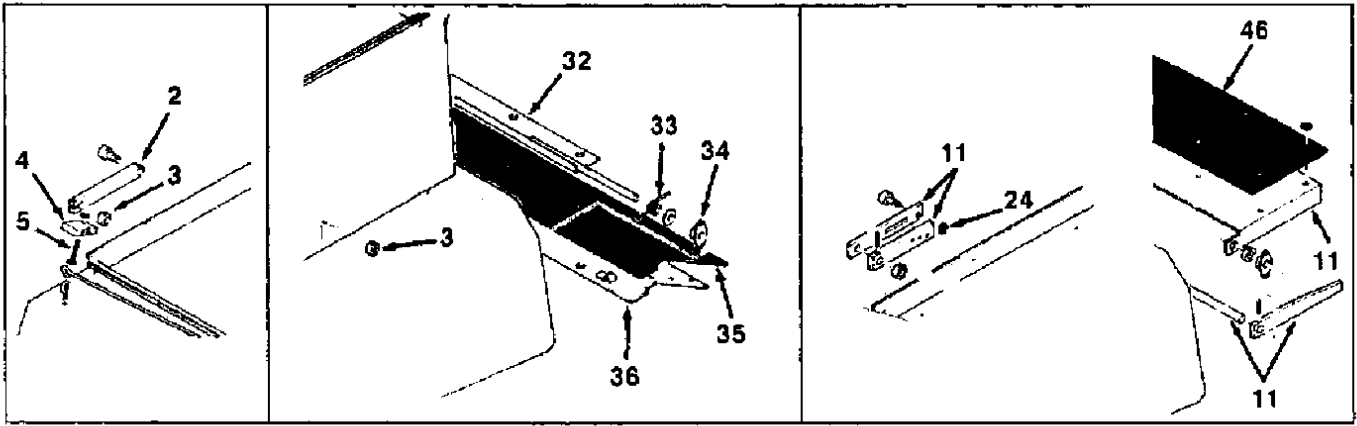


Fig. 13 - Hopper Group

01541

Key	TENNANT® Part No.	Machine Serial Number	Description	Qty.
1	48930	(000000-)	Cam, Follower	1
2	34078	(000000-002071)	Arm, Control	1
3	75371	(000000-002071)	Collar, Locking	2
4	34080	(000000-002071)	Block Adjusting	1
5	39612	(000000-002071)	Screw, Hex	1
6	11893	(000000-)	Bolt, Eye	1
7	62794	(000000-)	Rod, Hood Support	1

LOW DUMP MODEL PARTS

Key	TENNANT® Part No.	Machine Serial Number	Description	Qty.
8	53963A	(000000-)	Stud	1
9	51140	(000000-)	Nut, High Crown	1
10	23446	(000000-)	Clip, Finger Grip	1
11	16798	(002072-002401)	Dust Door Replacement Kit	1
12	34864	(000000-)	Strain Relief	1
13	39923	(000000-)	Fitting, Barbed Bulkhead	1
14	51047	(000000-)	Door, Hopper	1
15	51164	(000000-)	Seal, Foam Rubber	1
16	51163	(000000-)	Seal, Foam Rubber	1
17	51934	(000000-)	Catch, Spring	2
18	SK1511	(000000-)	Fusible Link Replacement Kit	1
19	51149	(000000-)	Door, Fire	1
20	46088	(000000-)	Pin, Door Hinge	1
21	46087	(000000-)	Bracket, L	2
22	51372	(000000-)	Spring	1
23	34703	(000000-)	Plate, Bolt	2
24	01873	(002072-002401)	Washer	1
25	51728	(000000-)	Plate, Inner Hopper	2
26	34533	(000000-)	Screw, Set	2
27	16787	(002402-)	Link, Adjustment	1
28	34638	(000000-)	Gasket, Hopper Cover	1
29	23498	(000000-)	Clamp, Worm Drive	2
30	51881	(000000-)	Hose	1
31	34652	(000000-)	Hopper	1
32	36892	(000000-002071)	Rod, Door	1
33	36896	(000000-002071)	Spring, Dust Control Door	2
34	47585	(000000-002071)	Bearing, Flange	2
35	36882	(000000-002071)	Seal, Dust Dump Door	1
36	36898	(000000-002071)	Door, Dust Dump	1
37	16783	(000000-)	Lip, Hopper	1
38	09928	(000000-)	Retainer, Hopper Lip	1
39	51143	(000000-)	Plate, Wear	1
40	34723	(002072-)	Collar, Locking	4
41	34079	(000000-)	Strip, Backing	2
42	26103	(002072-)	Pin, Roll	3
43	55347	(002402-)	Screw, Hex	3
44	34093	(002072-)	Bracket, Adjustment	1
45	41178	(002072-)	Washer	14
46	34721	(002072-002401)	Seal	1
47	16794	(002402-)	Door, Dust	1
48	34096	(002072-)	Bearing, Flange	2
49	16788	(002402-)	Seal	1
50	16791	(002402-)	Rod, Pivot	1
51	23515	(000000-)	Strip	4
52	48048	(000000-)	Catch	2



LOW DUMP MODEL PARTS

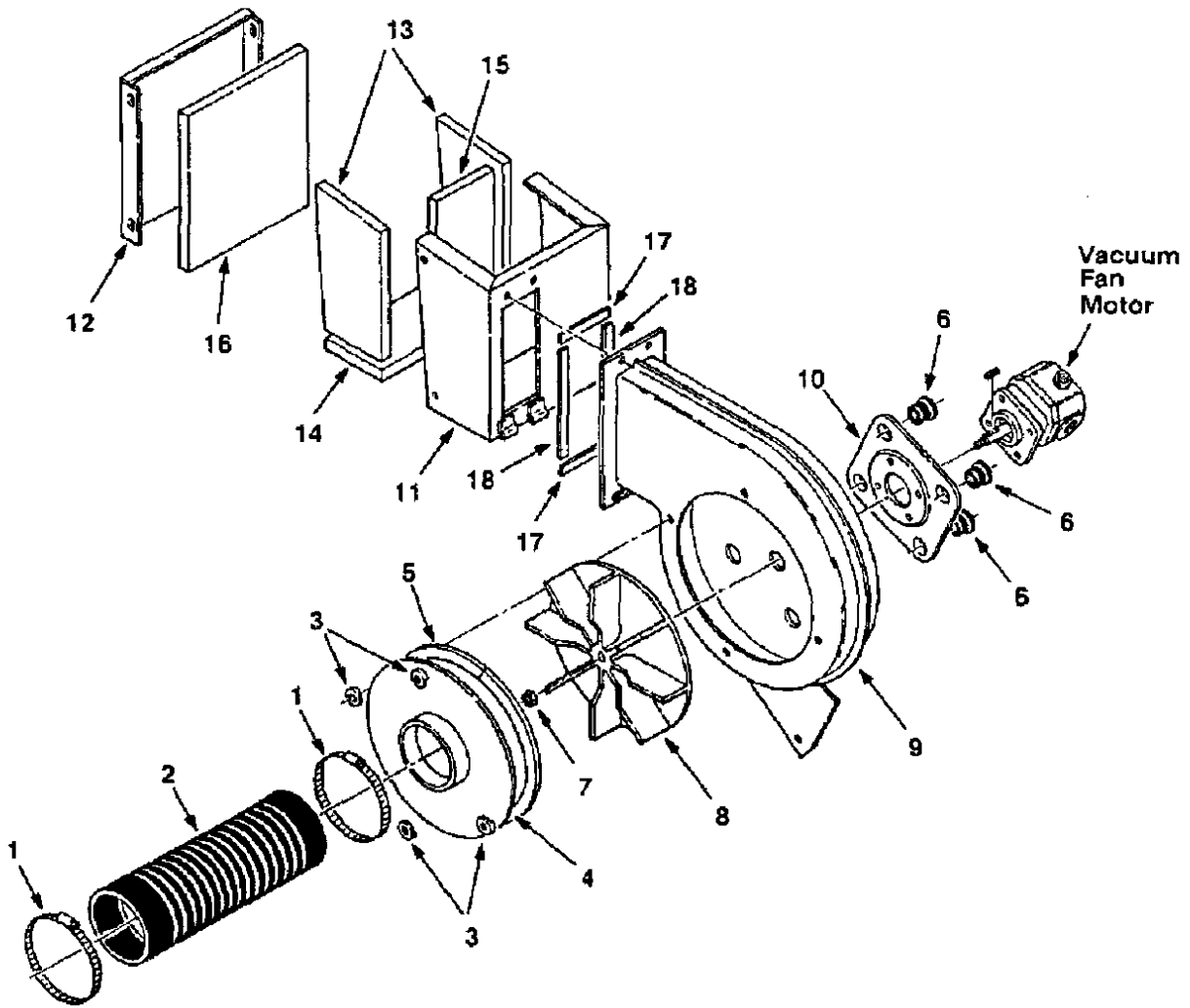


Fig. 14 - Vacuum Fan Group

01560

Key	TENNANT® Part No.	Machine Serial Number	Description	Qty.
1	23498	(000000-)	Clamp, Worm Drive	2
2	51768A	(000000-)	Hose	1
3	03467A	(000000-)	Clip, Vacuum Housing	4
4	18158-1	(000000-)	Duct, Intake	1
5	23542	(000000-)	Seal, Foam Rubber	1
6	54274	(000000-)	Isolator, Vibration	4
7	01715	(000000-)	Nut	1
8	53034-1	(000000-)	Impeller	1
9	34206	(000000-)	Housing, Vacuum Fan	1
10	54275A	(000000-)	Bracket, Motor Mounting	1
11	33876	(000000-)	Vacuum Fan Muffler Box Assembly	1
12	33885	(000000-)	Box, Fan Muffler	1
13	33897	(000000-)	Cover, Fan Muffler Box	1
14	33898	(000000-)	Foam, Acoustic	2
15	35051	(000000-)	Foam, Acoustic	1
16	34218	(000000-)	Foam, Acoustic	1
17	34219	(000000-)	Foam, Acoustic	1
18	54271	(000000-)	Seal, Foam Rubber	2
18	34071	(000000-)	Seal, Foam Rubber	2

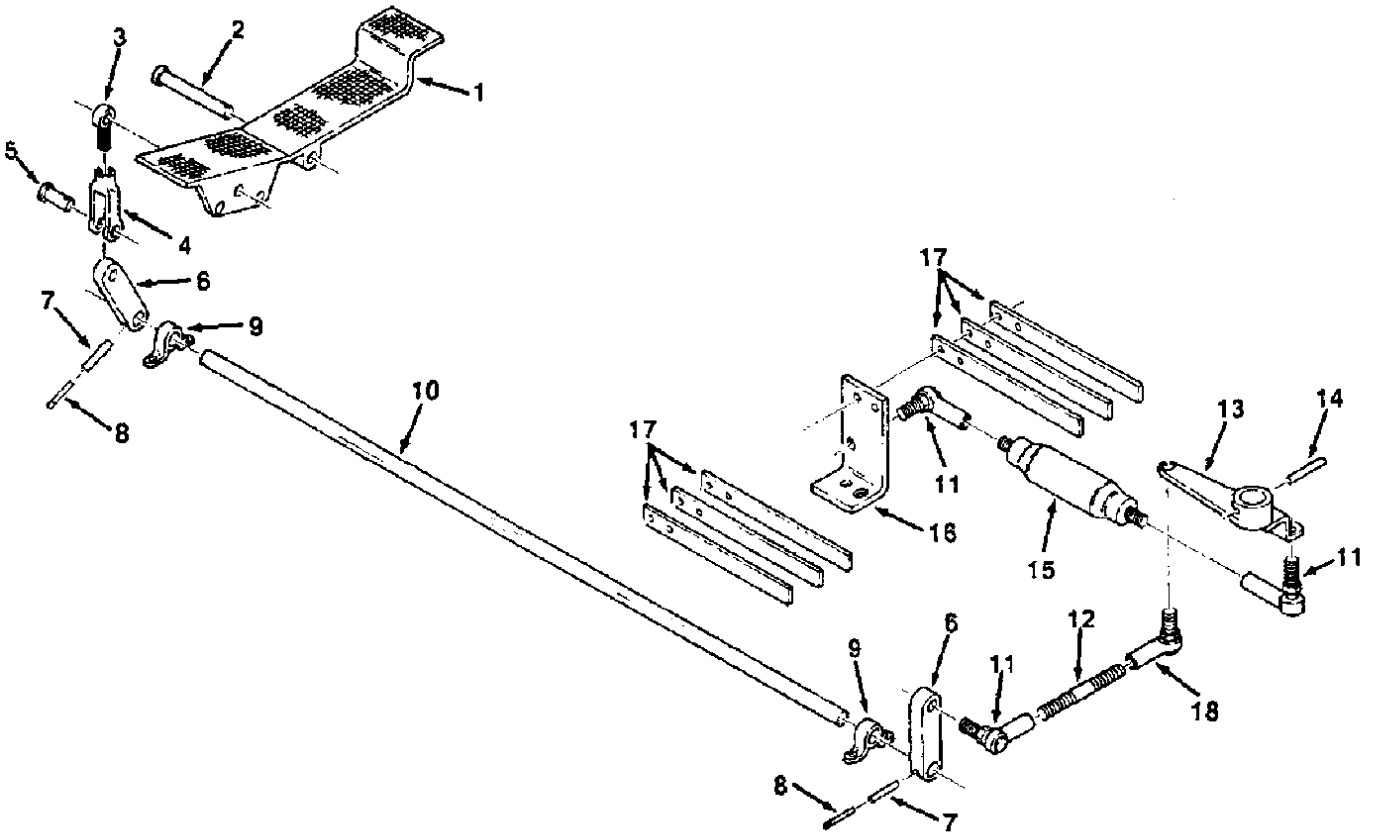


Fig. 15 - Directional Control Group

01536

Key	TENNANT® Part No.	Machine Serial Number	Description	Qty.
1	42240	(000000-)	Pedal, Directional Control	1
2	06474A	(000000-)	Pin, Clevis	1
3	51303	(000000-)	Rod End	1
4	14330	(000000-)	Clevis	1
5	14331	(000000-)	Pin, Clevis	1
6	52789	(000000-)	Link	2
7	22134	(000000-)	Pin, Roll	2
8	46029	(000000-)	Pin, Roll	2
9	51304-1	(000000-)	Bearing, Pillowblock	2
10	52790	(000000-)	Shaft	1
11	50493	(000000-)	Ball Joint	3
12	16828	(000000-002939)	Replacement Kit, Rod	1
12	16827	(002940-)	Rod	1
13	62702	(000000-)	Arm, Control	1
14	14854	(000000-)	Pin, Roll	1
15	62700	(000000-)	Shock Absorber	1
16	34903	(000000-)	Bracket, Return Spring	1
17	49681	(000000-)	Plate, Spring	6
18	50493	(002940-)	Ball Joint	1

LOW DUMP MODEL PARTS

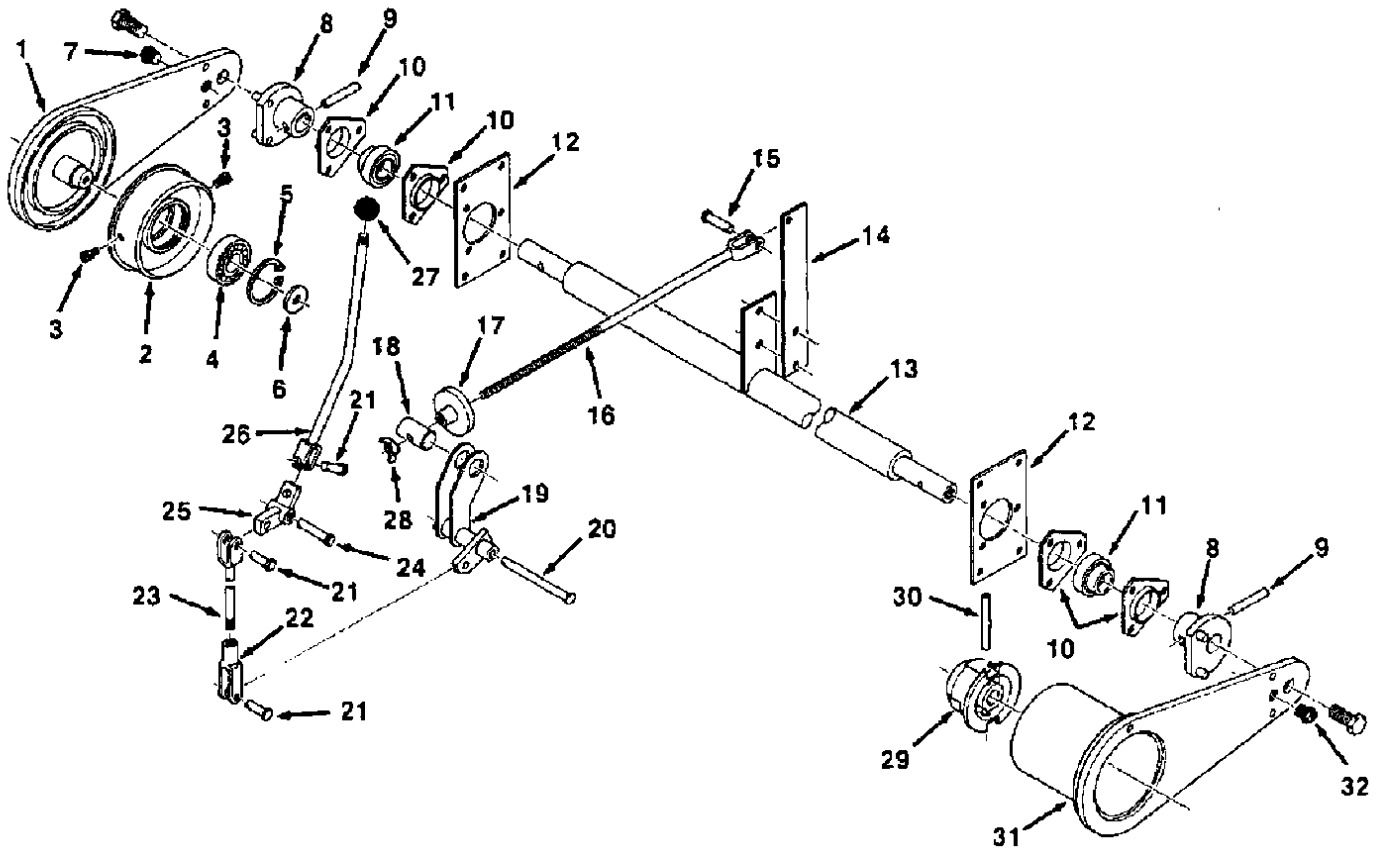


Fig. 16 - Main Brush Lift and Drive Group

Fig. 16 - Main Brush Lift and Drive Group

Key	TENNANT® Part No.	Machine Serial Number	Description	Qty.
	62737	(000000-)	Arm and Plug Assembly, R.H.	1
1	62637	(000000-)	Brush Arm, R.H.	1
2	51984	(000000-)	Plug, Brush Idler	1
3	02984	(000000-)	Screw, Socket	2
4	24899	(000000-)	Bearing, Ball	1
5	51046	(000000-)	Ring, Retaining	1
6	51584	(000000-)	Washer	1
7	51938	(000000-)	Plug, Thread	1
8	51059	(000000-)	Hub, Brush	2
9	51317	(000000-)	Pin, Roll	2
10	51449	(000000-)	Flange, Bearing	4
11	51448	(000000-)	Bearing	2
12	62649-1	(000000-)	Plate, Brush Adjusting	2
13	62626	(000000-)	Shaft, Brush Lift	1
14	62625	(000000-)	Arm, Brush Lift	1
15	06598	(000000-)	Pin, Clevis	1
16	62619	(000000-)	Link, Brush Lift	1
17	51452	(000000-)	Knob	1
18	51391	(000000-)	Pin, Swivel	1
19	62620	(000000-)	Bellcrank, Brush Lift	1
20	51225	(000000-)	Pin, Clevis	1
21	06598	(000000-)	Pin, Clevis	3
22	51462	(000000-)	Clevis	1
23	62618	(000000-)	Link, Brush Lift	1
24	06279	(000000-)	Pin, Clevis	1
25	51492	(000000-)	Bellcrank	1
26	51447-1	(000000-)	Handle	1
27	26156	(000000-)	Knob	1
28	39274	(000000-)	Nut, Wing	1
29	51036	(000000-)	Plug, Brush Drive	1
30	20050	(000000-)	Pin, Roll	1
31	33873	(000000-)	Arm, Brush Drive	1
32	51938	(000000-)	Plug, Thread	1

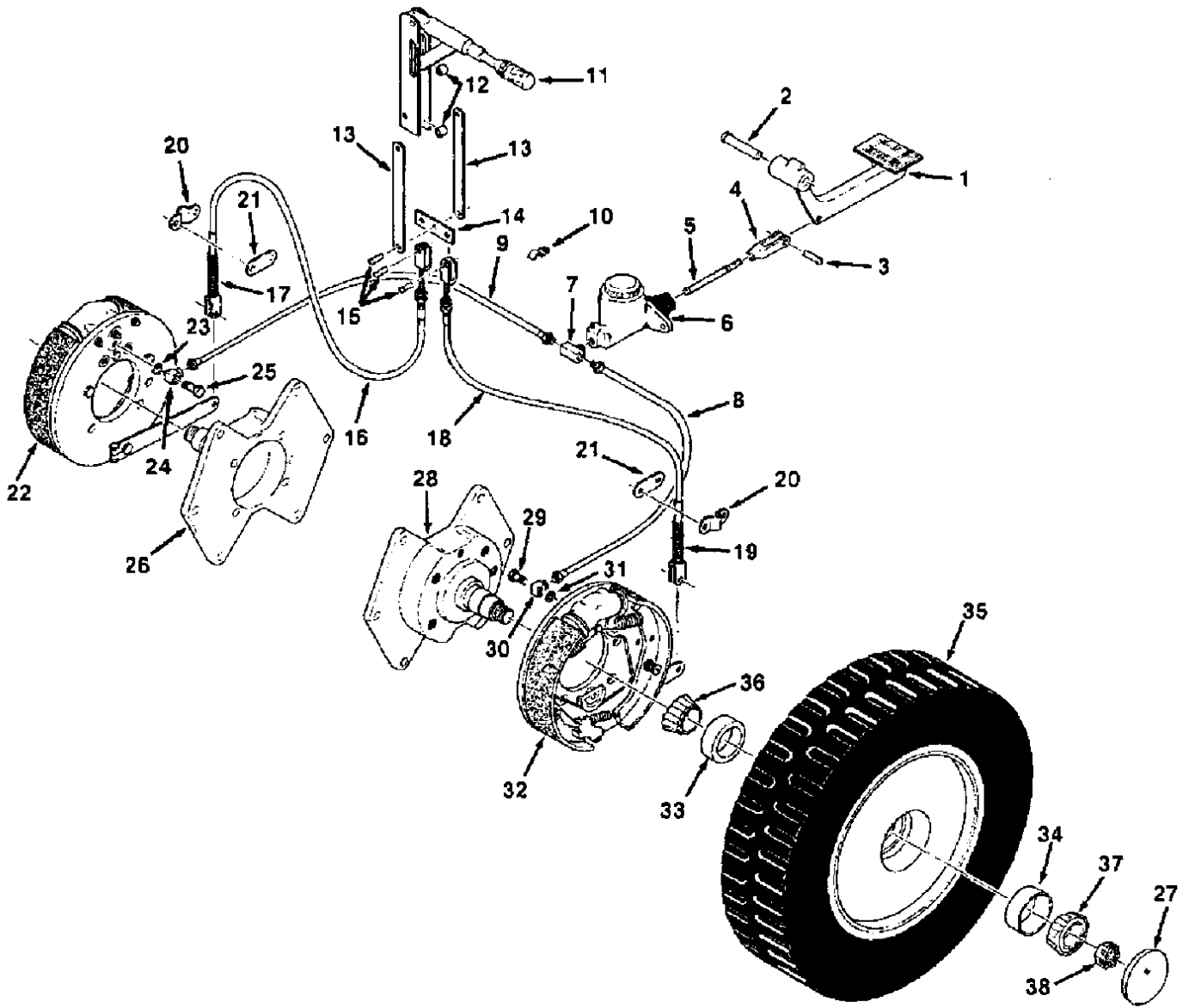


Fig. 17 - Front Wheels and Brakes Group

Fig. 17 - Front Wheels and Brakes Group

Key	TENNANT® Part No.	Machine Serial Number	Description	Qty.
1	65128	(000000-)	Pedal, Brake	1
2	23683	(000000-)	Pin, Clevis	1
3	14331	(000000-)	Pin, Clevis	1
4	14330	(000000-)	Clevis	1
5	52163	(000000-)	Rod, Push	1
6	SK2136	(000000-)	Cylinder Replacement Kit, Brake	1
	SK2137	(000000-)	Repair Kit, Cylinder	1
7	51483	(000000-)	Tee	1
8	76058	(000000-)	Tube Assembly	1
9	42241	(000000-)	Tube Assembly	1
10	04681	(000000-)	Clamp, Cable	3
11	51545	(000000-)	Lever, Brake	1
12	51562	(000000-)	Sleeve	2
13	51912	(000000-)	Link	2
14	40354	(000000-)	Strip	1
15	10120	(000000-)	Pin, Clevis	3
16	47963	(000000-)	Cable Assembly	1
17	47960	(000000-)	Spring	1
18	47963-1	(000000-)	Cable Assembly	1
19	47960	(000000-)	Spring	1
20	65129	(000000-)	Clamp, Cable	2
21	65129-1	(000000-)	Spacer, Clamp	2
	62537	(000000-)	Front Axle Assembly, R.H.	1
22	65115-1	(000000-)	Brake Assembly, R.H.	1
	45744	(000000-)	Repair Kit, Brake Shoes	1
	45743	(000000-)	Repair Kit, Cylinder	1
23	13962	(000000-)	Washer	1
24	36739	(000000-)	Tee, Special	1
25	36740	(000000-)	Bolt, Special	1
26	65121	(000000-)	Spindle, Front Axle, R.H.	1
27	51373	(000000-)	Cap, Grease	2
	62538	(000000-)	Front Axle Assembly, L.H.	1
28	65122	(000000-)	Spindle, Front Axle, L.H.	1
29	36740	(000000-)	Bolt, Special	1
30	36739	(000000-)	Tee, Special	1
31	13962	(000000-)	Washer	1
32	65114-1	(000000-)	Brake Assembly, L.H.	1
	45744	(000000-)	Repair Kit, Brake Shoes	1
	45743	(000000-)	Repair Kit, Cylinder	1
	47879	(000000-)	Tire and Wheel Assembly	2
33	17808	(000000-)	Bearing, Cup	1
34	51338	(000000-)	Bearing, Cup	1
35	47878	(000000-)	Tire	1
36	17809	(000000-)	Bearing, Cone	2
37	51193	(000000-)	Bearing, Cone	2
38	14242	(000000-)	Nut	2

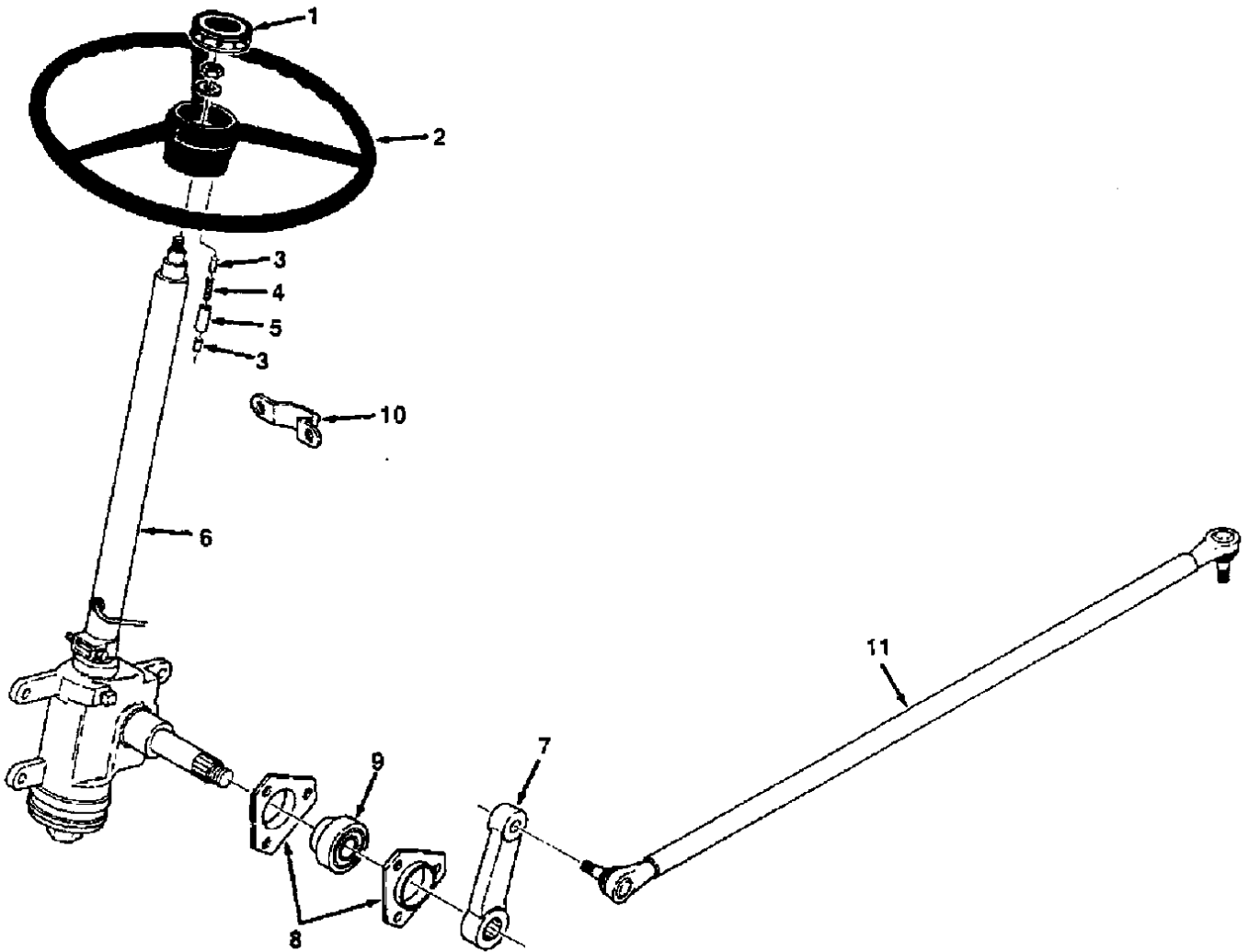


Fig. 18 - Steering Control Group

01539

Key	TENNANT® Part No.	Machine Serial Number	Description	Qty.
	51363	(000000-)	Steering Column Assembly	1
1	47010	(000000-)	Horn Button	1
2	47008	(000000-)	Wheel, Steering	1
3	46311	(000000-)	Brush, Horn	2
4	46313	(000000-)	Spring	1
5	46312	(000000-)	Tube, Acrylic	1
6	47007	(000000-)	Gear and Column Assembly	1
7	51299	(000000-)	Arm, Pitman	1
8	51449	(000000-)	Flange, Bearing	2
9	48050	(000000-)	Bearing	1
10	51470	(000000-)	Support, Steering Column	1
11	51096	(000000-)	Link, Steering	1

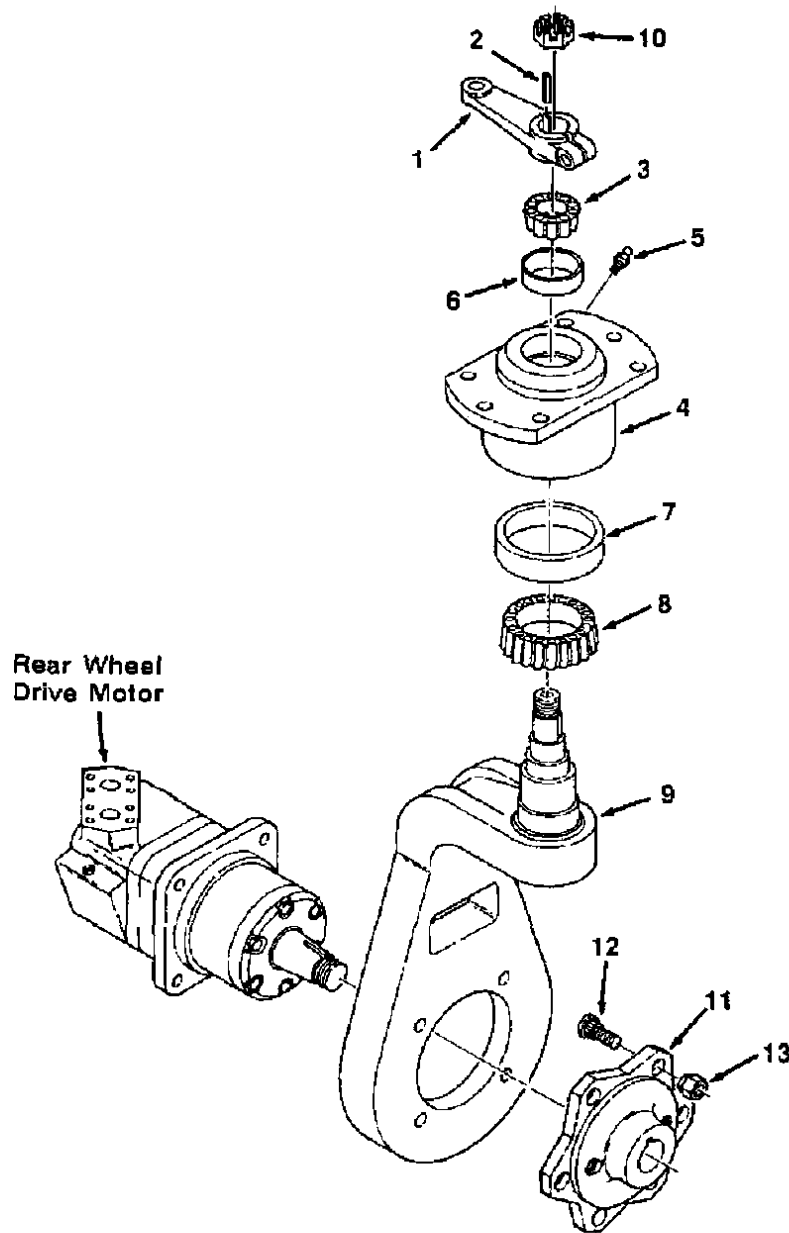


Fig. 19 - Rear Wheel Support Group

01544

Key	TENNANT® Part No.	Machine Serial Number	Description	Qty.
1	51283	(000000-)	Arm, Steering	1
2	00928	(000000-)	Key, Square	1
3	51339	(000000-)	Bearing, Cone	1
4	51002	(000000-)	Spindle Block Assembly	1
5	47801	(000000-)	Fitting, Grease	1
6	51338	(000000-)	Bearing, Cup	1
7	51340	(000000-)	Bearing, Cup	1
8	51341	(000000-)	Bearing, Cone	1
9	62433	(000000-)	Spindle, Rear Axle	1
10	14242	(000000-)	Nut	1
11	62456	(000000-)	Drive Wheel Hub Assembly	1
12	32126	(000000-)	Stud, Wheel	6
13	24339	(000000-)	Nut, Wheel	6

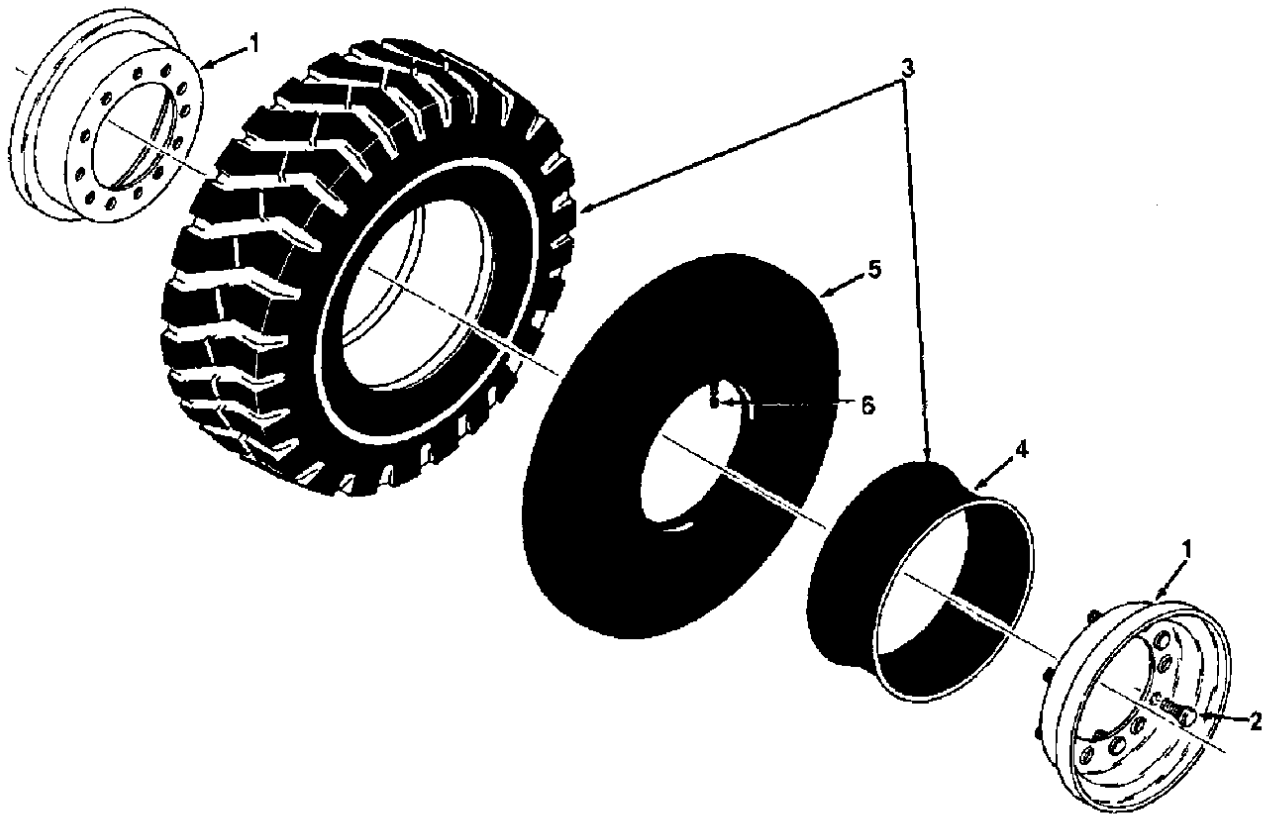


Fig. 20 - Rear Wheel Assembly

01532

Key	TENNANT® Part No.	Machine Serial Number	Description	Qty.
1	51357	(000000-)	Tire and Rim Assembly	1
1	52775	(000000-)	Rim Assembly	1
2	51355	(000000-)	Stud, Wheel	6
	52510	(000000-)	Tire Assembly	1
3	51360	(000000-)	Tire	1
4	51362	(000000-)	Flap	1
5	51361	(000000-)	Tube	1
6	45786	(000000-)	Cap, Valve Stem	1

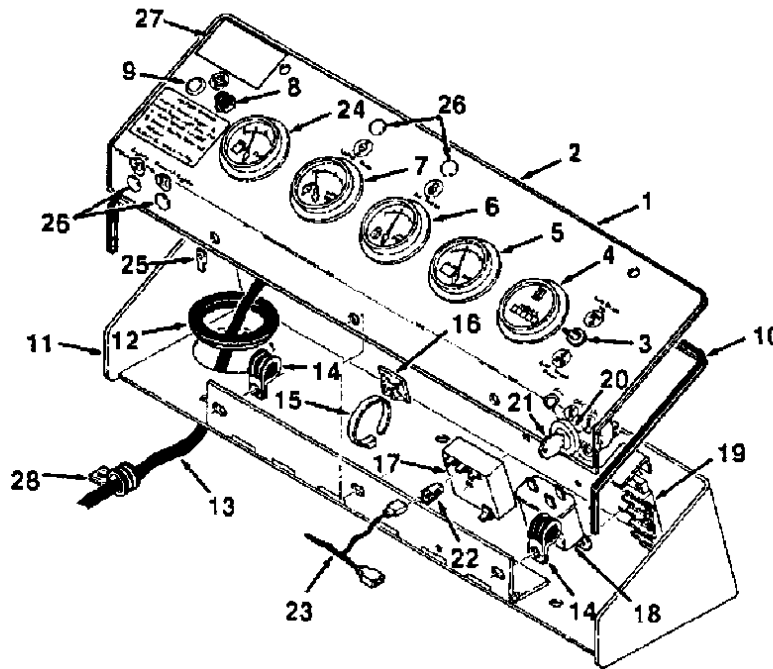


Fig. 21 - Instrument Panel Assembly

01521

Key	TENNANT® Part No.	Machine Serial Number	Description	Qty.
	34585	(000000-004575)	Instrument Panel Assembly	1
1	34818	(000000-004575)	Panel, Instrument Front	1
2	34144	(000000-004575)	Label, Instrument Panel	1
3	07869	(000000-004575)	Switch	1
4	34810	(000000-004575)	Hour Meter	1
5	55557	(000000-004575)	Gauge, Voltage	1
6	34811	(000000-004575)	Gauge, Oil Pressure	1
7	34812	(000000-004575)	Gauge, Water Temperature	1
8	76147	(000000-004575)	Boot, Pushbutton	1
	76131	(000000-004575)	Switch, Pushbutton	1
9	34820	(000000-004575)	Lamp, Indicator	1
10	34842	(000000-004575)	Seal, Instrument Panel	1
11	34834	(000000-004575)	Wrap, Instrument Panel	1
12	10632-19	(000000-004575)	Grommet	1
13	34871	(000000-004575)	Wire Harness, Main	1
	08889	(000000-004575)	Wire, Alternator Jumper	1
14	40678-1	(000000-004575)	Clamp, Cable	2
15	49266	(000000-004575)	Tie, Cable, 6.75" (170 mm)	2
16	55248	(000000-004575)	Mount, Cable Tie	2
17	34816	(000000-004575)	Timer, Shaker	1
18	34814	(000000-004575)	Relay	1
19	34815	(000000-004575)	Block, Diode Assembly	1
20	55258	(000000-004575)	Switch, Ignition	1
21	62530-1	(000000-004575)	Key Set, Ignition	1
22	27184	(000000-004575)	Connector	1
23	34056	(000000-004575)	Shaker Timer Wire Assembly	1
24	34813	(000000-004575)	Gauge, Fuel	1
25	48252	(000000-004575)	Terminal, Tab	1
26	56992	(000000-004575)	Plugbutton	4
27	34142	(000000-004575)	Label, Instrument Panel	1
28	40678-1	(000000-004575)	Clamp, Cable	1

LOW DUMP MODEL PARTS

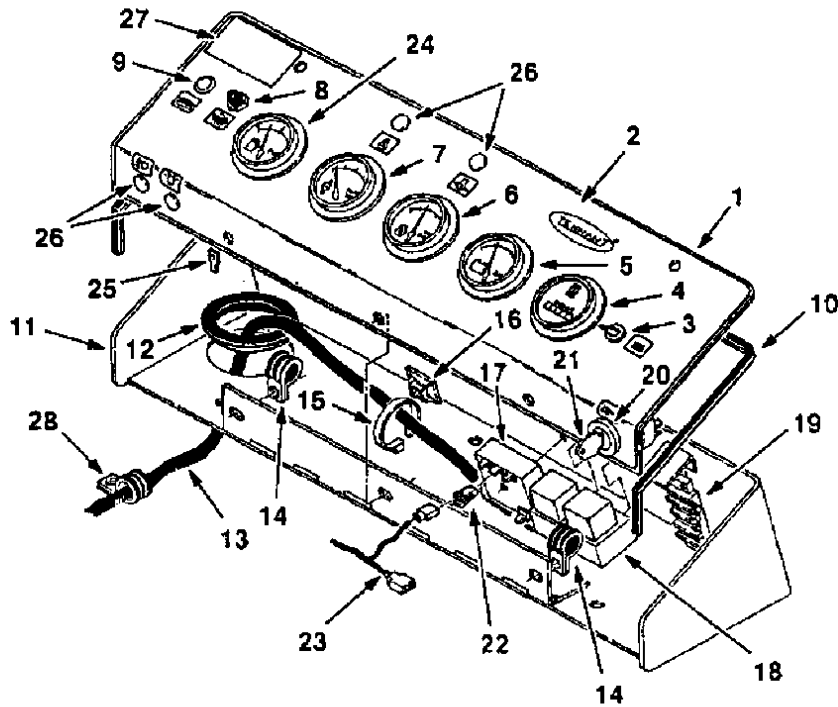


Fig. 22 - Instrument Panel Assembly

05527

Key	TENNANT® Part No.	Machine Serial Number	Description	Qty.
	34777	(004576-)	Instrument Panel Assembly	1
1	34152	(004576-)	Panel, Front Instrument	1
2	34776	(004576-)	Label, Instrument Panel	1
3	07869	(004576-)	Switch, Toggle	1
4	34810	(004576-)	Hourmeter	1
5	55557	(004576-)	Gauge, Voltage	1
6	34811	(004576-)	Gauge, Oil Pressure	1
7	34812	(004576-)	Gauge, Water Temperature	1
8	76147	(004576-)	Boot, PushButton	1
8	76131	(004576-)	Switch, Pushbutton	1
9	34820	(004576-)	Lamp, Indicator	1
10	34335	(004576-)	Seal, Instrument Panel	1
11	34546	(004576-)	Wrap, Instrument Panel	1
12	10632-19	(004576-)	Grommet	1
13	34336	(004576-)	Wire Harness, Main	1
14	40678-1	(004576-)	Clamp, Cable	2
15	49266	(004576-)	Tie, Cable 6.75" (170 mm)	2
16	55248	(004576-)	Mount, Cable tie	2
17	34816	(004576-)	Timer, Shaker	1
18	10865	(004576-)	Relay	2
19	34815	(004576-)	Block, Diode Assembly	1
20	87536	(004576-)	Switch, Ignition	1
21	87866	(004576-)	Key Set, Ignition	1
22	27184	(004576-)	Connector	1
23	34056	(004576-)	Shaker Timer Wire Assembly	1
24	34813	(004576-)	Gauge, Fuel	1
25	48252	(004576-)	Terminal, Tab	1
26	56992	(004576-)	Plugbutton	4
27	34142	(004576-)	Label, Instrument Panel	1
28	40678-1	(004576-)	Clamp, Cable	1

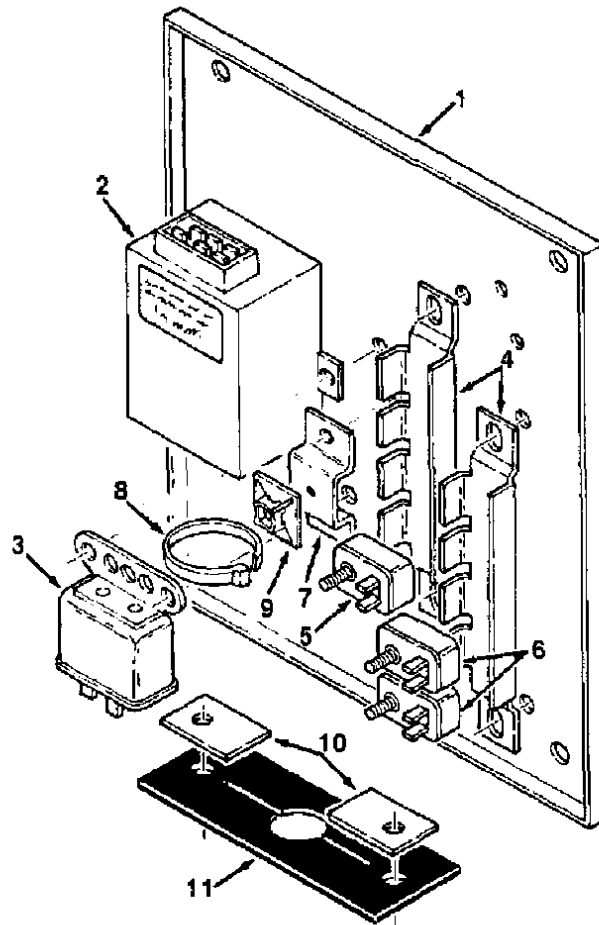
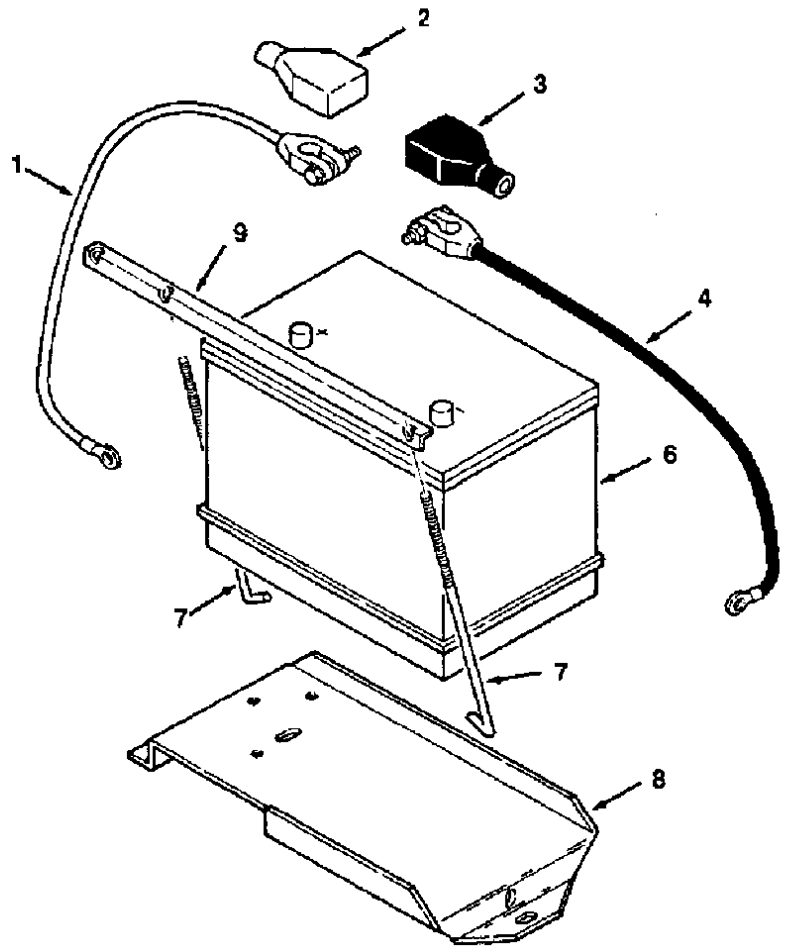
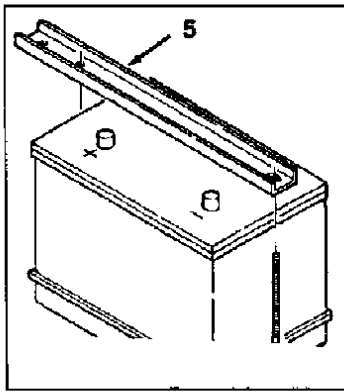


Fig. 23 - Electrical Box Cover Assembly

01517

Key	TENNANT® Part No.	Machine Serial Number	Description	Qty.
	34596	(000000-)	Electrical Cover Assembly	1
1	34208	(000000-)	Cover, Electrical Box	1
2	16875	(000000-)	Controller, Side Brush Lift	1
3	34814	(000000-)	Relay	1
4	55257	(000000-)	Bracket, Circuit Breaker	2
5	55256	(000000-)	Circuit Breaker, 25 A	1
6	55255	(000000-)	Circuit Breaker, 15 A	2
7	34095	(000000-)	Bracket, Tie Mount	1
8	49266	(000000-)	Tie, Cable	1
9	55248	(000000-)	Mount, Cable Tie	1
10	34209	(000000-)	Strip, Retainer	2
11	34210	(000000-)	Seal, Electrical Box	1

LOW DUMP MODEL PARTS



01530

Fig. 24 - Battery Group

Key	TENNANT® Part No.	Machine Serial Number	Description	Qty.
1	34823	(000000-)	Cable, Positive Battery	1
2	68873	(000000-)	Boot, Battery	1
3	68872	(000000-)	Boot, Battery	1
4	68870	(000000-)	Cable, Negative Battery	1
5	16743	(000000-002239)	Battery Hold-Down Replacement Kit	1
6	10143	(000000-)	Battery, 540 CCA	1
7	13015-1	(000000-)	Bolt, Hold Down	2
8	34283	(000000-)	Tray, Battery	1
9	16700	(002240-)	Angle, Battery Hold-Down	1

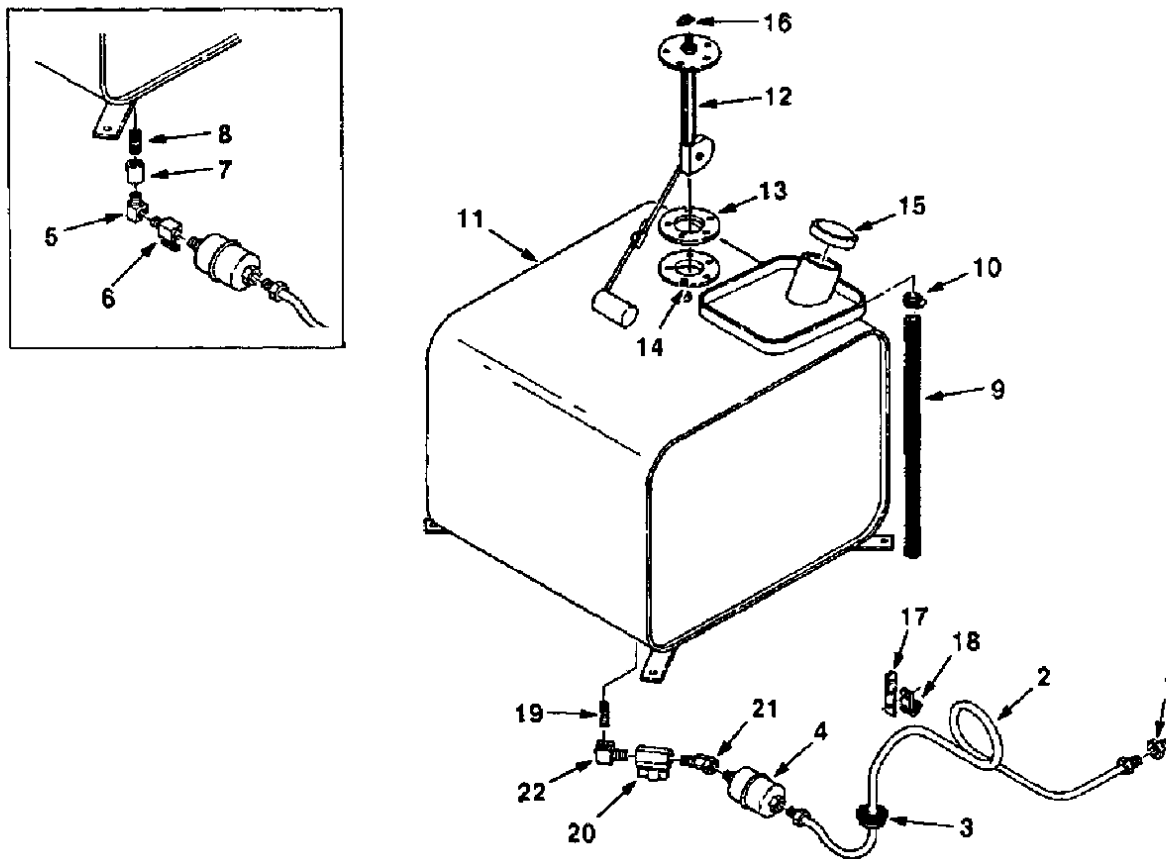


Fig. 25 - Fuel Tank Group

01535

Key	TENNANT® Part No.	Machine Serial Number	Description	Qty.
1	40585	(000000-)	Fitting, Straight	1
2	52903	(000000-)	Fuel Line Assembly	1
3	09280	(000000-)	Grommet	1
4	62050	(000000-)	Fuel Filter Assembly	1
5	11984	(000000-003533)	Fitting, Elbow	1
6	08876	(000000-003533)	Cock Replacement Kit	1
7	11848	(000000-003533)	Fitting, Coupling	1
8	47566	(000000-003533)	Fitting, Nipple	1
9	34258	(000000-)	Hose	1
10	54333	(000000-)	Clamp, Worm Drive	1
11	34220	(000000-)	Tank, Fuel	1
12	07875	(000000-)	Sending Unit, Tank	1
13	14131	(000000-)	Gasket	1
14	48126	(000000-)	Fitting, Plug	1
15	48267	(000000-)	Cap, Fuel Tank	1
16	68106	(000000-)	Terminal, Tab	1
17	69465	(000000-)	Strip, Clamp	1
18	46236	(000000-)	Clamp, Cable	1
19	48144	(003534-)	Fitting, Nipple	1
20	08873	(003534-)	Valve, Ball	1
21	32376	(003534-)	Fitting, Elbow, 45°	1
22	11984	(003534-)	Fitting, Elbow	1

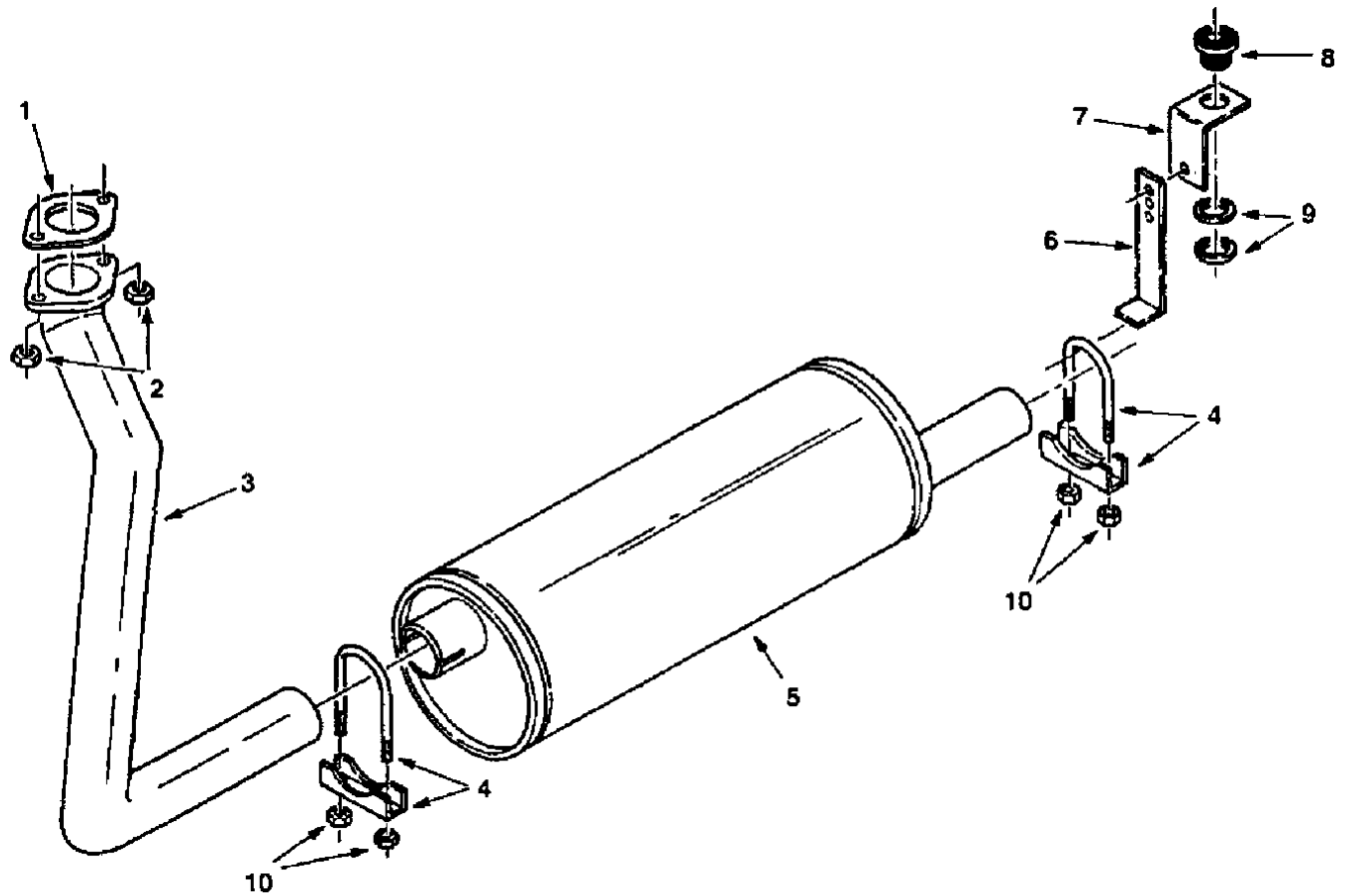


Fig. 26 - Muffler Group

01529

Key	TENNANT® Part No.	Machine Serial Number	Description	Qty.
1	34908	(000000-)	Gasket	1
2	39312	(000000-)	Nut	2
3	34993	(000000-)	Pipe, Exhaust	1
4	05881	(000000-)	Clamp, Muffler	2
5	52906	(000000-)	Muffler	1
6	47990	(000000-)	Bracket, L	1
7	47989	(000000-)	Bracket, L	1
8	54274	(000000-)	Isolator, Vibration	1
9	09832	(000000-)	Washer	2
10	87435	(000000-)	Nut, Flex Lock	4

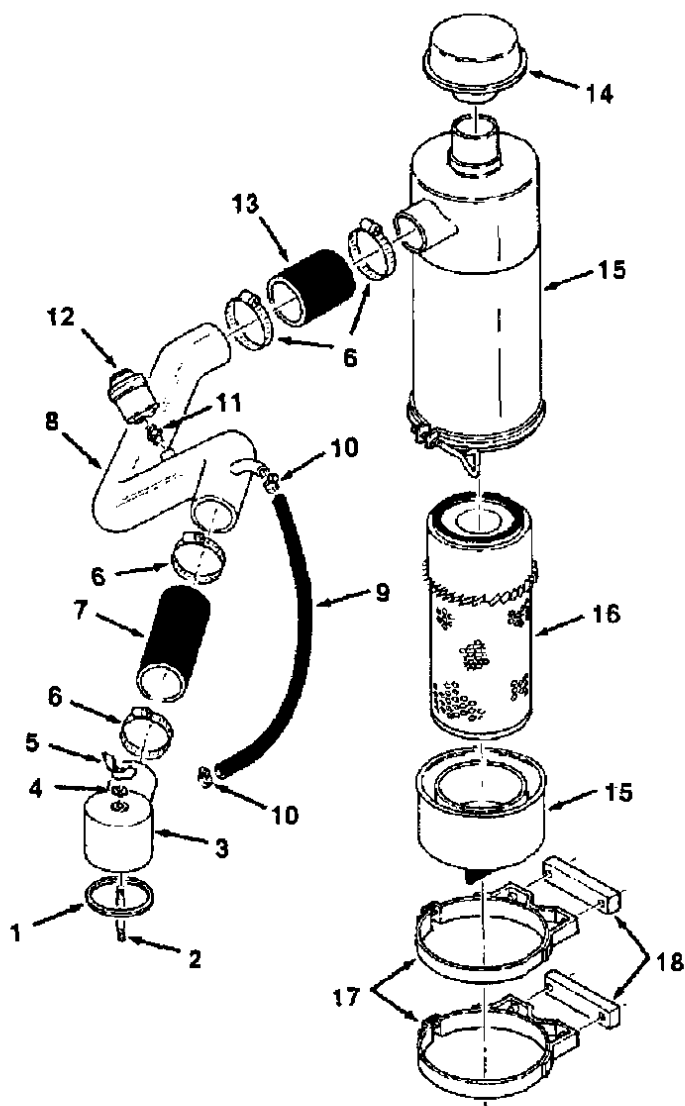


Fig. 27 - Air Cleaner Group

01523

Key	TENNANT® Part No.	Machine Serial Number	Description	Qty.
1	16738	(000000-)	Gasket, Carburetor	1
2	34996	(000000-)	Stud, Air Cleaner	1
3	34997	(000000-)	Elbow, Carburetor	1
4	24924	(000000-)	Washer, Nylon	1
5	26509	(000000-)	Nut, Wing	1
6	22297	(000000-)	Clamp, Worm Drive	4
7	15543-1	(000000-)	Hose	1
8	34916	(000000-)	Tube, Air Cleaner	1
9	34878	(000000-)	Hose	1
10	54333	(000000-)	Clamp, Worm Drive	2
11	51560-5	(000000-)	Filter, Service Indicator	1
12	82685	(000000-)	Indicator, Filter Service	1
13	15543	(000000-)	Hose	1
14	51560-2	(000000-)	Cap, Airstack	1
15	51560-1	(000000-)	Body, Air Cleaner	1
16	58120	(000000-)	Element, Air Cleaner	1
17	52450	(000000-)	Band, Mounting	2
18	34928	(000000-)	Bar, Spacer	2

LOW DUMP MODEL PARTS

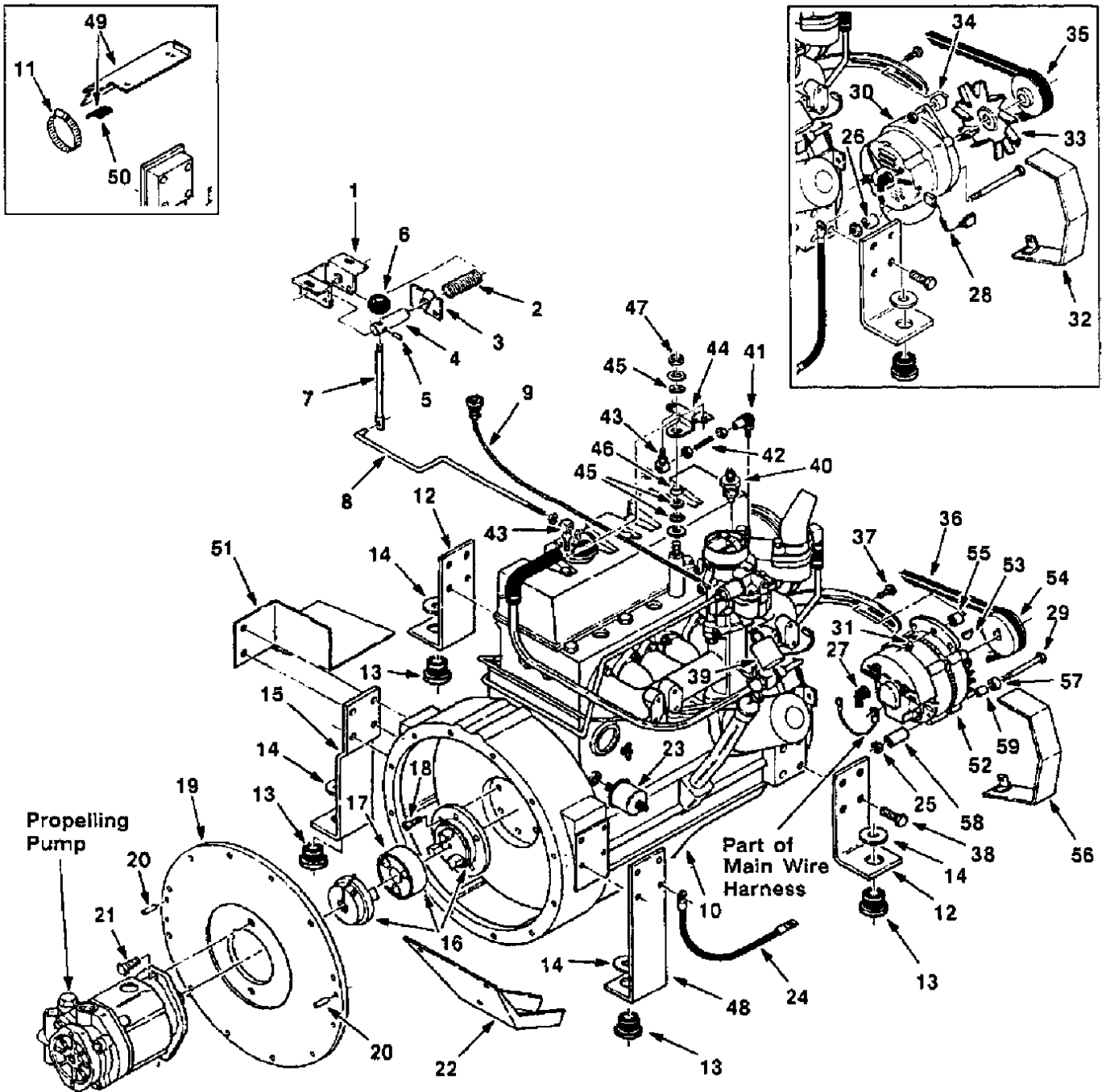


Fig. 28 - Engine Group

01557

Key	TENNANT® Part No.	Machine Serial Number	Description	Qty.
	52925	(000000-)	Throttle Control Assembly	1
1	51689	(000000-)	Bracket, Throttle	1
2	51693	(000000-)	Spring	1
3	52814	(000000-)	Plate, Throttle	1
4	51692	(000000-)	Pin, Throttle Pivot	1
5	20021	(000000-)	Pin, Roll	1
6	26565	(000000-)	Knob	1
7	51690	(000000-)	Lever, Throttle	1
8	34959	(000000-)	Rod, Throttle	1
9	26260	(000000-)	Choke Cable Assembly	1

LOW DUMP MODEL PARTS

Key	TENNANT® Part No.	Machine Serial Number	Description	Qty.
10	34920	(000000-003039)	Engine, (Replaced by 16860)	1
10	16860	(003040-004677)	Engine, (Replaced by 31935)	1
10	31935	(004678-)	Engine, (See Engine Parts)	1
11	22297	(000000-003039)	Clamp, Worm Drive	1
12	25142	(000000-)	Bracket, Engine Mounting	2
13	51176	(000000-)	Dampner, Engine	4
14	51564	(000000-)	Washer	4
15	25125	(000000-)	Bracket, Engine Mounting	1
16	78068	(000000-)	Drive Coupling Assembly	1
17	76291	(000000-)	Insert, Drive	1
18	41358	(000000-)	Screw, Socket	6
19	76290	(000000-)	Plate, Pump Mounting	1
20	23999-8	(000000-)	Pin, Roll	2
21	68768	(000000-)	Screw, Hex	2
22	34875	(000000-)	Tray, Engine Oil Drain	1
23	34808	(000000-)	Sender, Oil Pressure	1
24	29832-2	(000000-)	Lead Cable Assembly	1
25	41430	(000000-)	Nut	1
26	34869	(000000-003555)	Sleeve	1
27	34065	(000000-)	Protector	1
28	39703-6	(000000-003555)	Wire Harness, Rectifier	1
29	34877	(000000-)	Screw, Hex	1
30	08893	(000000-003555)	Alternator	1
31	41359	(000000-)	Nut	1
32	34884	(000000-003555)	Guard, Alternator	1
33	42170-36	(000000-003555)	Fan, Alternator	1
34	34867	(000000-003555)	Sleeve	1
35	34904	(000000-003555)	Pulley, Alternator	1
36	34194	(000000-)	V-Belt	1
37	41342	(000000-)	Screw, Hex	1
38	41348	(000000-)	Screw, Hex	8
39	34805	(000000-)	Solenoid, Anti-Run On	1
40	34809	(000000-)	Sender, Coolant Temperature	1
41	14601	(000000-)	Ball Joint	1
42	34898	(000000-)	Stud, Throttle	1
43	34924	(000000-)	Ball Joint	2
44	34953	(000000-)	Bellcrank	1
45	34879	(000000-)	Washer, Wavy	3
46	34909	(000000-)	Spacer	1
47	41517	(000000-)	Nut	1
48	25126	(000000-)	Bracket, Engine Mounting	1
49	16769	(000000-003039)	Starter Shield Assembly	1
50	29662	(000000-003039)	Pad, Rubber	1
51	16832	(003040-)	Shield, Starter	1
52	03233	(003556-)	Alternator	1
53	00500-5	(003556-)	Key, Woodruff	1
54	34833	(003556-)	Sheave	1
55	08892	(003556-)	Sleeve	1
56	08890	(003556-)	Guard, Alternator	1
57	36417	(003556-)	Sleeve	1
58	08891	(003556-)	Sleeve	1
59	59632	(003556-)	Bushing	1



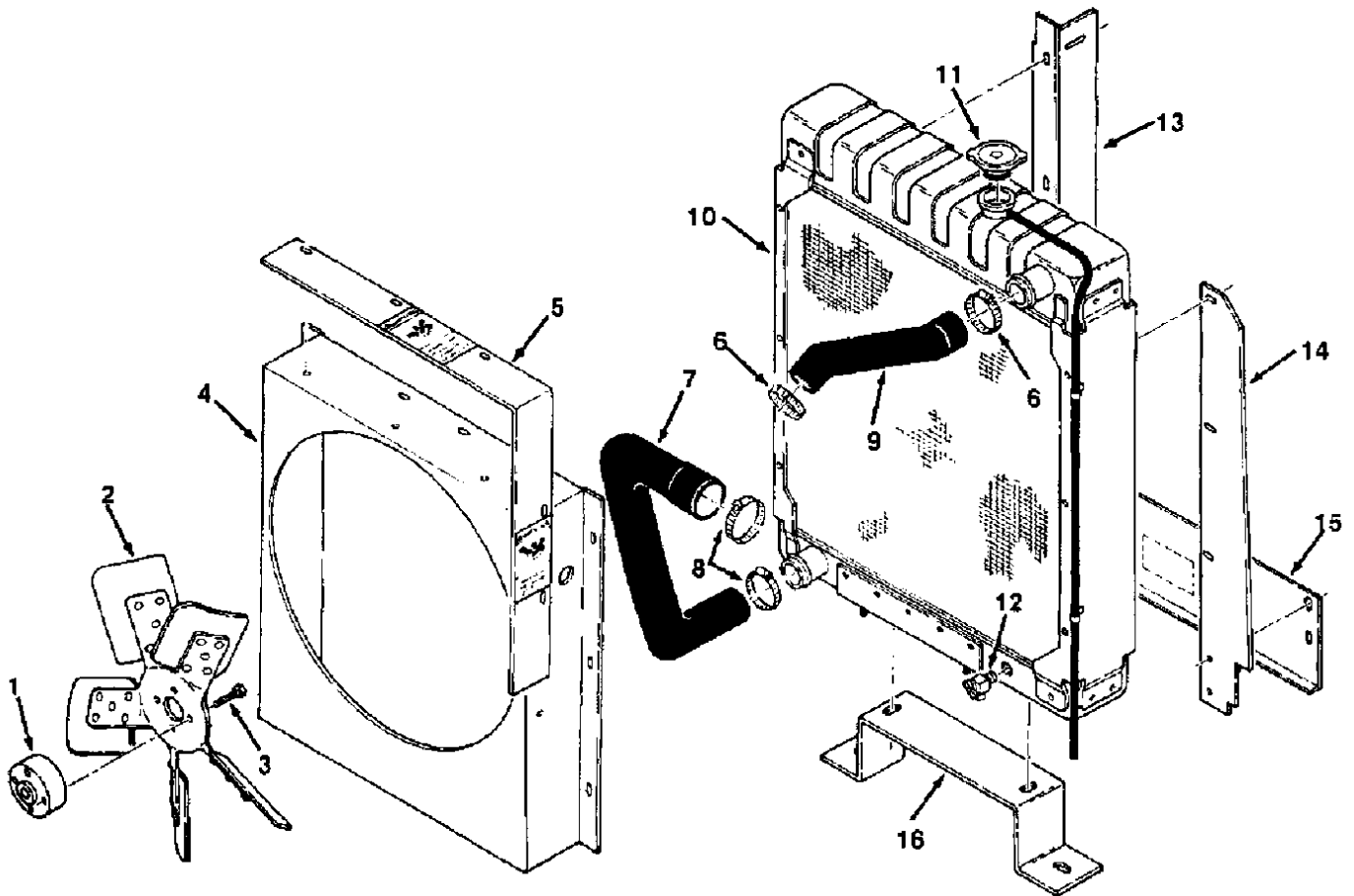


Fig. 29 - Radiator Group

01558

Key	TENNANT® Part No.	Machine Serial Number	Description	Qty.
1	52785-1	(000000-)	Spacer, Fan	1
2	16801	(000000-)	Fan, Radiator	1
3	39278	(000000-)	Screw, Hex	4
4	34990	(000000-)	Shroud, Fan	1
5	34111	(000000-)	Shroud Wrap and Label Assembly	1
6	11531	(000000-)	Clamp, Worm Drive	2
7	16821	(000000-)	Hose, Radiator	1
8	22297	(000000-)	Clamp, Worm Drive	2
9	16820	(000000-)	Hose, Radiator	1
10	50605	(000000-)	Radiator	1
11	48655	(000000-)	Cap, Radiator	1
12	51305	(000000-)	Drain Cock	1
13	34927	(000000-)	Panel, R.H.	1
14	34926	(000000-)	Panel, L.H.	1
15	34925	(000000-)	Panel, Lower	1
16	34989	(000000-)	Mount, Radiator	1

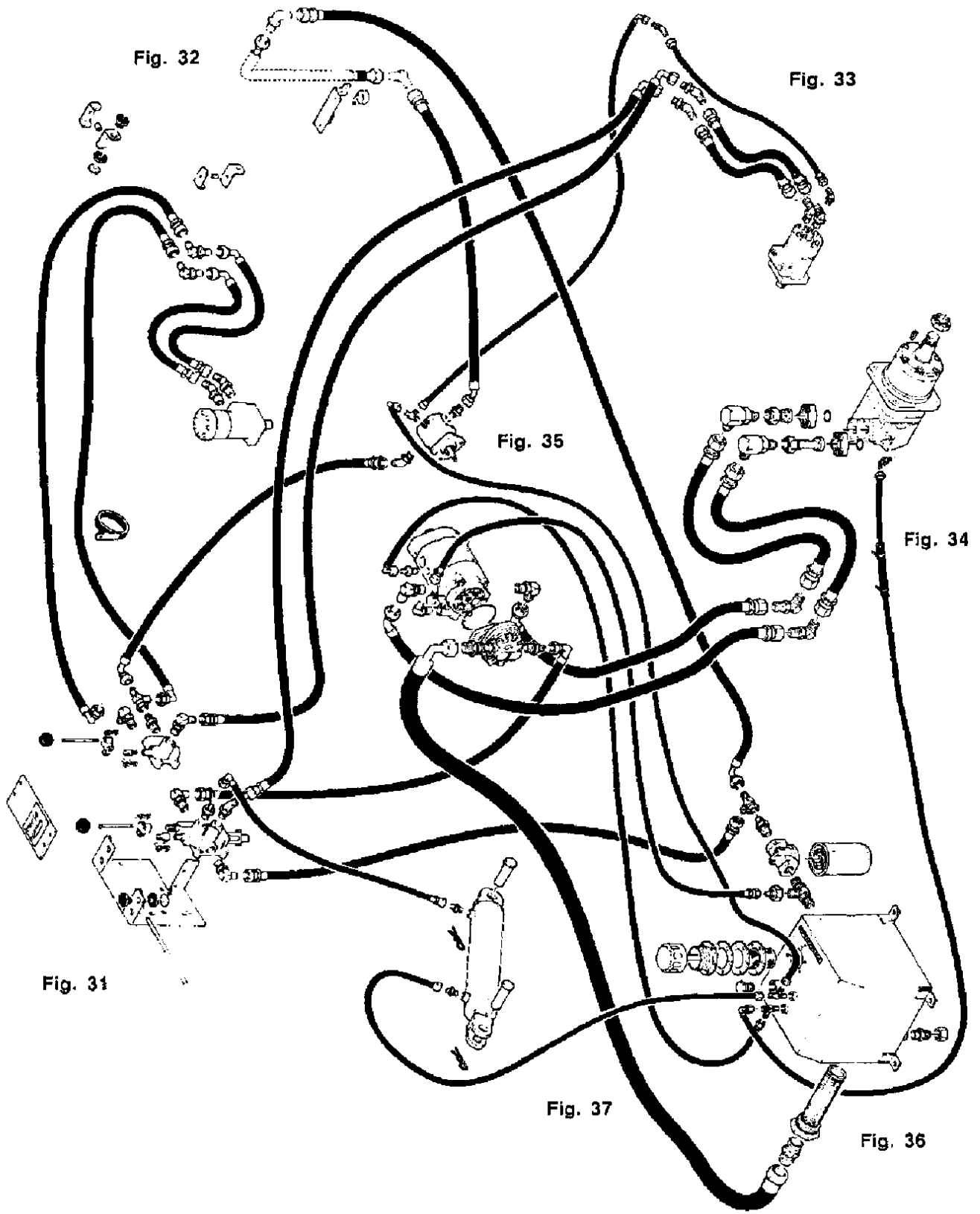


Fig. 30 - Hydraulic System

LOW DUMP MODEL PARTS

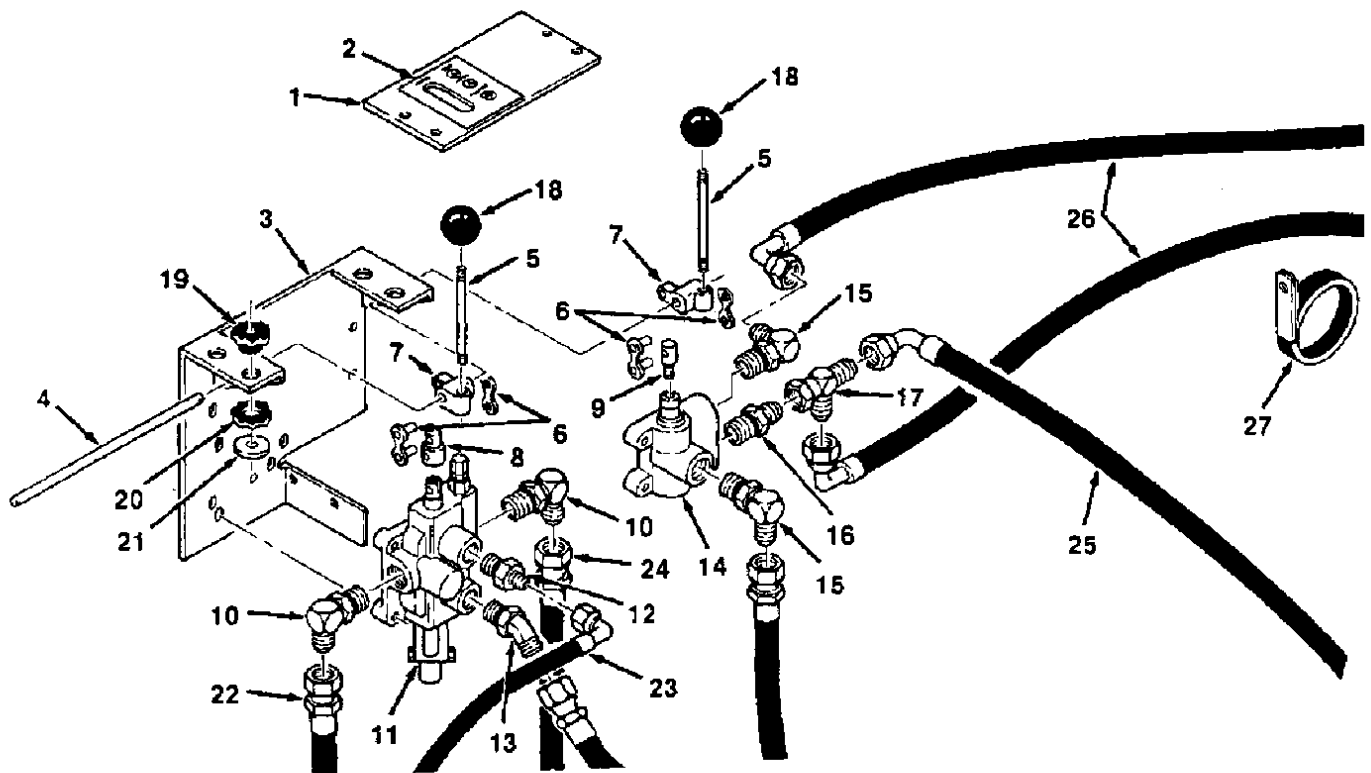


Fig. 31 - Control Valves Group

01643

Key	TENNANT® Part No.	Machine Serial Number	Description	Qty.
1	62650	(000000-)	Plate, Lintel Cover	1
2	34140	(000000-)	Label, Valve	1
3	34341	(000000-)	Bracket, Valve	1
4	62762	(000000-)	Pin	1
5	62701	(000000-)	Stud	2
6	09318	(000000-)	Link, Connecting	2
7	56757	(000000-)	Pivot, Control Handle	2
8	48342	(000000-)	Adaptor, Special	1
9	51311	(000000-)	Extension, Valve	1
10	56821	(000000-)	Fitting, Elbow	2
11	62550	(000000-)	Valve, Hydraulic, (See Hydraulic Components)	1
12	55686	(000000-)	Fitting, Straight	1
13	42226	(000000-)	Fitting, Elbow, 45°	1
14	48108A	(000000-003201)	Valve, Hydraulic, (See Hydraulic Components)	1
14	16815	(003202-)	Valve, Hydraulic	1
15	56821	(000000-)	Fitting, Elbow	2
16	56692	(000000-)	Fitting, Straight	1
17	45482	(000000-)	Fitting, Tee	1
18	28565	(000000-)	Knob	2
19	62173	(000000-)	Bushing	4
20	62172	(000000-)	Ring	4
21	30013	(000000-)	Washer	4
22	34356	(000000-)	Hose	1
23	34358	(000000-)	Hose	1
24	34355	(000000-)	Hose	1
25	34366	(000000-)	Hose	1
26	34363	(000000-)	Hose	2
27	34312	(000000-)	Clamp, Loop	1

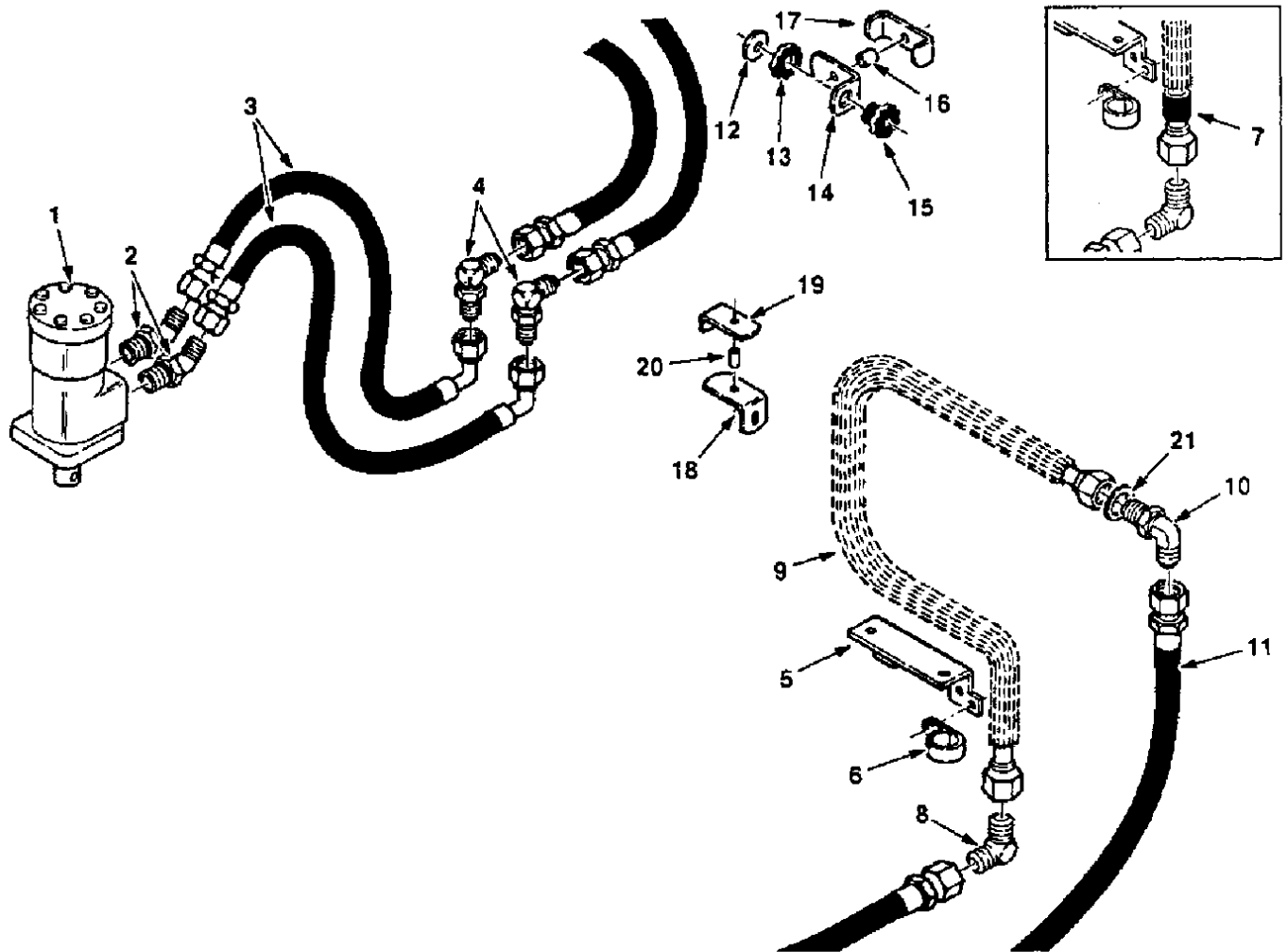


Fig. 32 - Side Brush Motor and Hydraulic Cooler Group

01646

Key	TENNANT® Part No.	Machine Serial Number	Description	Qty.
1	47650-1	(000000-)	Motor, Hydraulic, (See Hydraulic Components)	1
2	47513	(000000-)	Fitting, Elbow, 45°	2
3	34364	(000000-)	Hose	2
4	34365	(000000-)	Fitting, Elbow	2
5	34986	(000000-)	Bracket, Cooler	1
6	55495	(000000-)	Clamp, Cable	1
7	54492	(000000- xxxxxx)	Sleeve	1
8	34373	(000000-)	Fitting, Elbow	1
9	34946	(000000-)	Tube, Cooling	1
10	42243	(000000-)	Fitting, Elbow	1
11	34374	(000000-)	Hose	1
12	30013	(000000-)	Washer	1
13	62172	(000000-)	Ring	1
14	62697	(000000-)	Bracket, Hose	1
15	62173	(000000-)	Bushing	1
16	09900-1	(000000-)	Sleeve	1
17	51715	(000000-)	Clamp, Hose	1
18	34068	(000000-)	Bracket, Hose	1
19	34067	(000000-)	Clamp, Hose	1
20	34069	(000000-)	Sleeve	1
21	82226	(000000-)	Washer	1

LOW DUMP MODEL PARTS

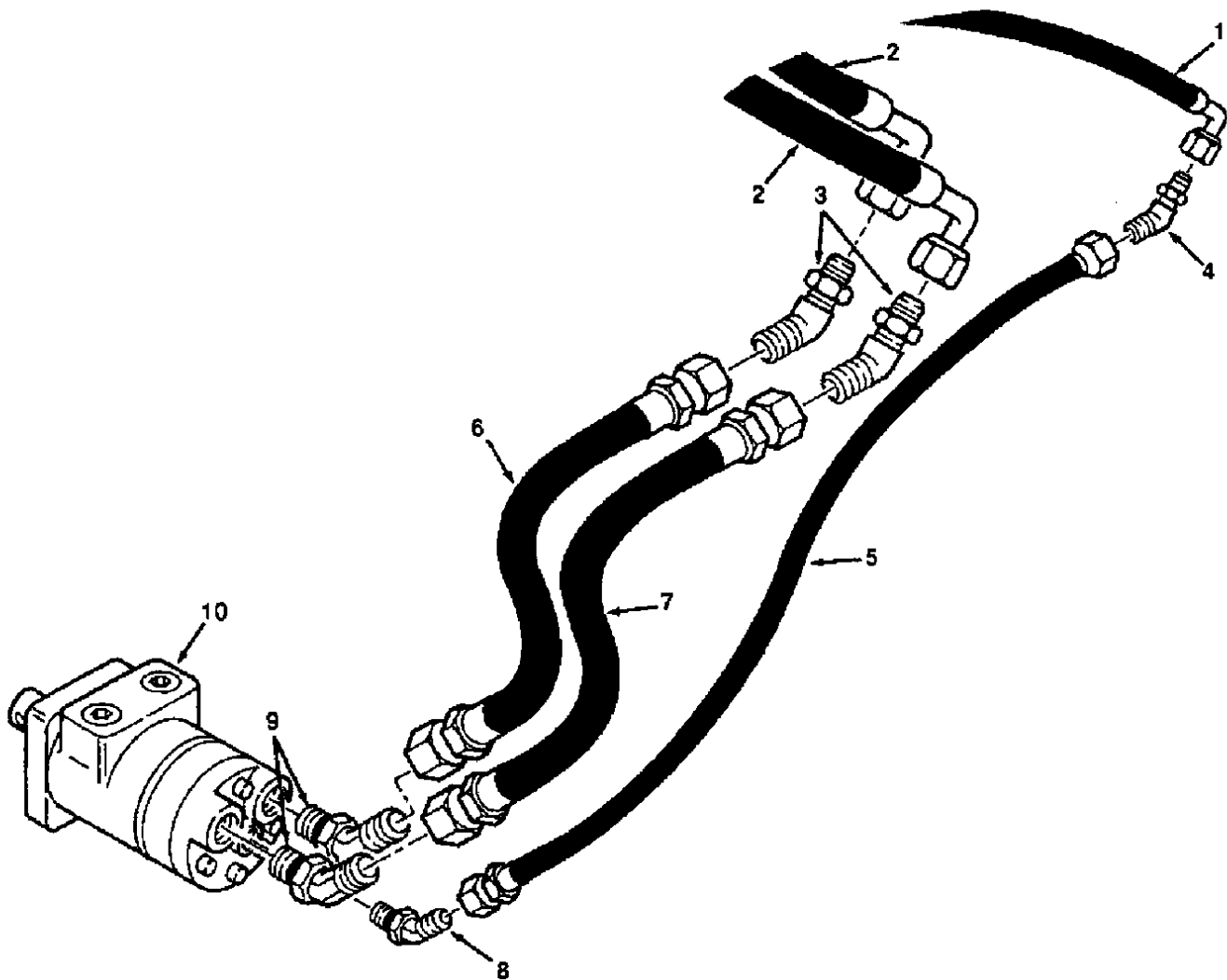
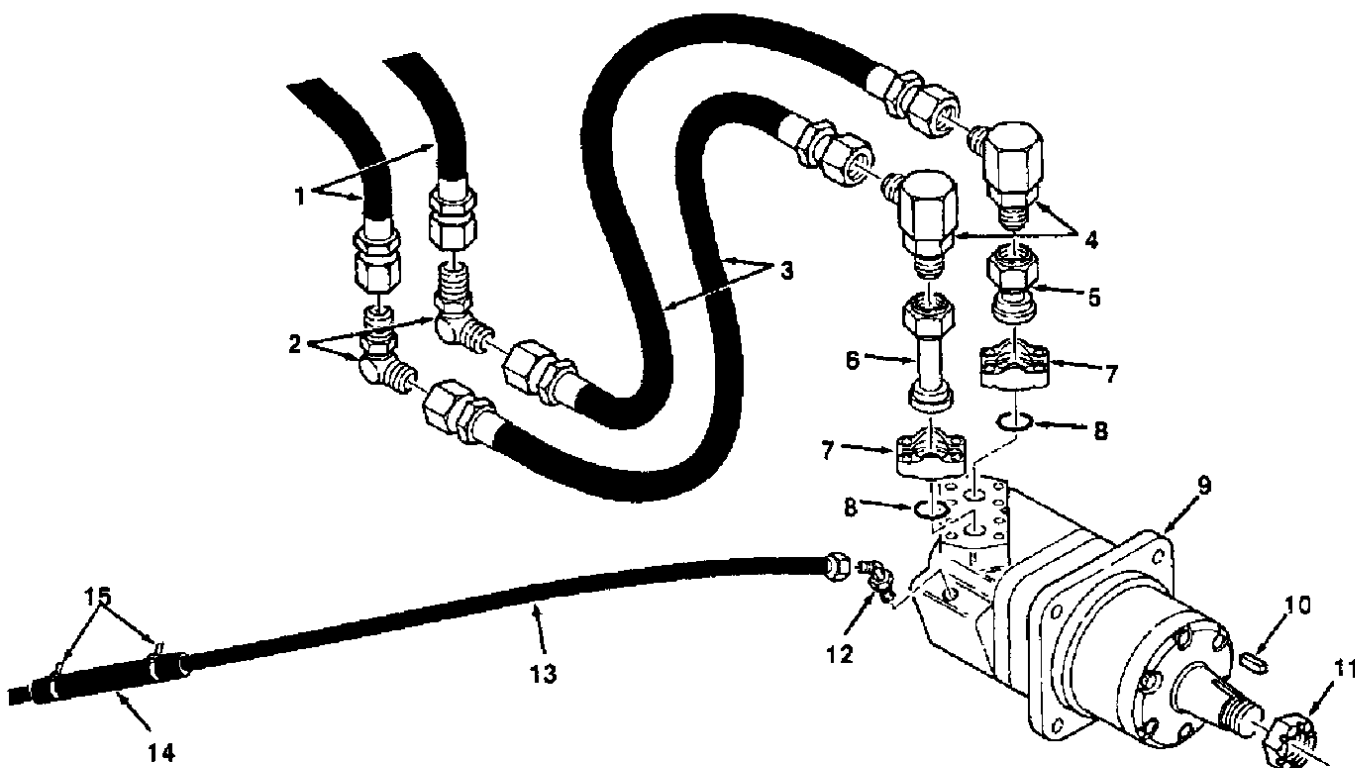


Fig. 33 - Main Brush Drive Motor Group

01649

Key	TENNANT® Part No.	Machine Serial Number	Description	Qty.
1	34377	(000000-)	Hose	1
2	34360	(000000-)	Hose	2
3	34361	(000000-)	Fitting, Elbow, 45°	2
4	34367	(000000-)	Fitting, Elbow, 45°	1
5	34372	(000000-)	Hose	1
6	34422	(000000-004575)	Hose	1
6	82844	(004576-)	Hose	1
7	34421	(000000-004575)	Hose	1
7	19636	(004576-)	Hose	1
8	34359	(000000-)	Fitting, Elbow, 45°	1
9	42226	(000000-004575)	Fitting, Elbow, 45°	2
9	44869	(004576-)	Fitting, Elbow, 45°	2
10	34423	(000000-)	Motor, Hydraulic, (See Hydraulic Components)	1



01648

Fig. 34 - Rear Wheel Drive Motor Group

Key	TENNANT® Part No.	Machine Serial Number	Description	Qty.
1	57951	(000000-)	Hose	2
2	51785	(000000-)	Fitting, Elbow	2
3	34387	(000000-003309)	Hose	2
3	08024	(003310-)	Hose	2
4	08025	(000000-)	Fitting, Elbow	2
5	34347	(000000-)	Hydraulic Tube Assembly	1
6	34348	(000000-)	Hydraulic Tube Assembly	1
7	40510	(000000-)	Flange, Split	2
8	11453	(000000-)	Seal, O-Ring	1
9	75025	(000000-)	Motor, Hydraulic. (See Hydraulic Components)	1
10	45623	(000000-)	Key	1
11	45622	(000000-)	Nut	1
12	34359	(000000-)	Fitting, Elbow, 45°	1
13	34388	(000000-)	Hose	1
14	34054	(000000-)	Sleeve, Hydraulic	1
15	49266	(000000-)	Tie, Cable 6.75" (170 mm)	2

LOW DUMP MODEL PARTS

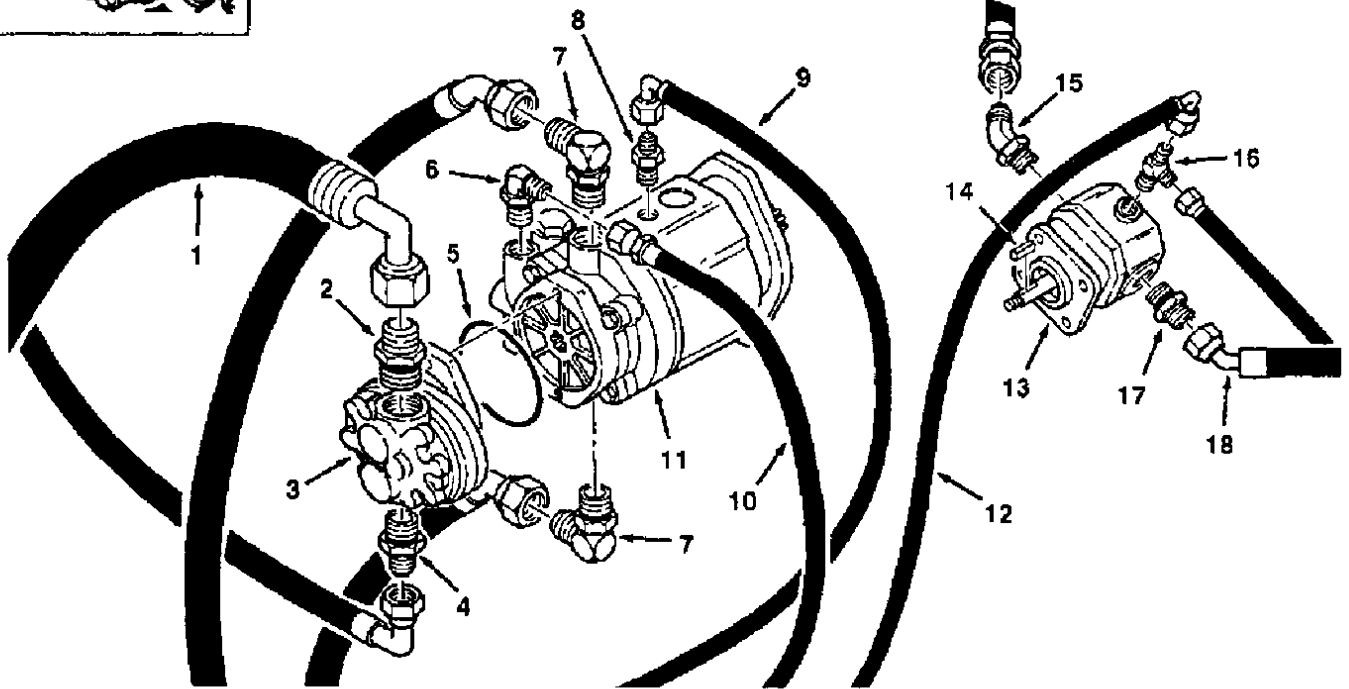
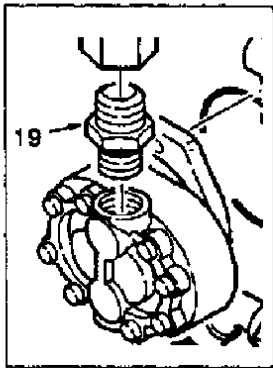


Fig. 35 - Pumps and Vacuum Fan Motor Group

01645

Key	TENNANT® Part No.	Machine Serial Number	Description	Qty.
1	34353	(000000-)	Hose	1
	16812	(003202-)	Hydraulic Pump Assembly	1
2	52929	(003202-)	Fitting, Straight	1
3	65145	(000000-003201)	Pump, (Replaced by 16833)	1
3	57035	(003202-)	Pump, (See Hydraulic Components)	1
4	56692	(000000-)	Fitting, Straight	1
5	65145-1	(000000-)	O-Ring	1
6	47512	(000000-)	Fitting, Elbow	1
7	46481	(000000-)	Fitting, Elbow	2
8	55685	(000000-)	Fitting, Straight	1
9	34378	(000000-)	Hose	1
10	34376	(000000-)	Hose	1
11	34310	(000000-)	Pump	1
12	34420	(000000-)	Hose	1
13	77101	(000000-)	Motor, Hydraulic, (See Hydraulic Components)	1
14	00966	(000000-)	Key, Square	1
15	42226	(000000-)	Fitting, Elbow, 45°	1
16	34390	(000000-)	Fitting, Tee	1
17	44869	(000000-)	Fitting, Straight	1
18	34370	(000000-)	Hose	1
19	34357	(000000-003201)	Fitting, Straight	1

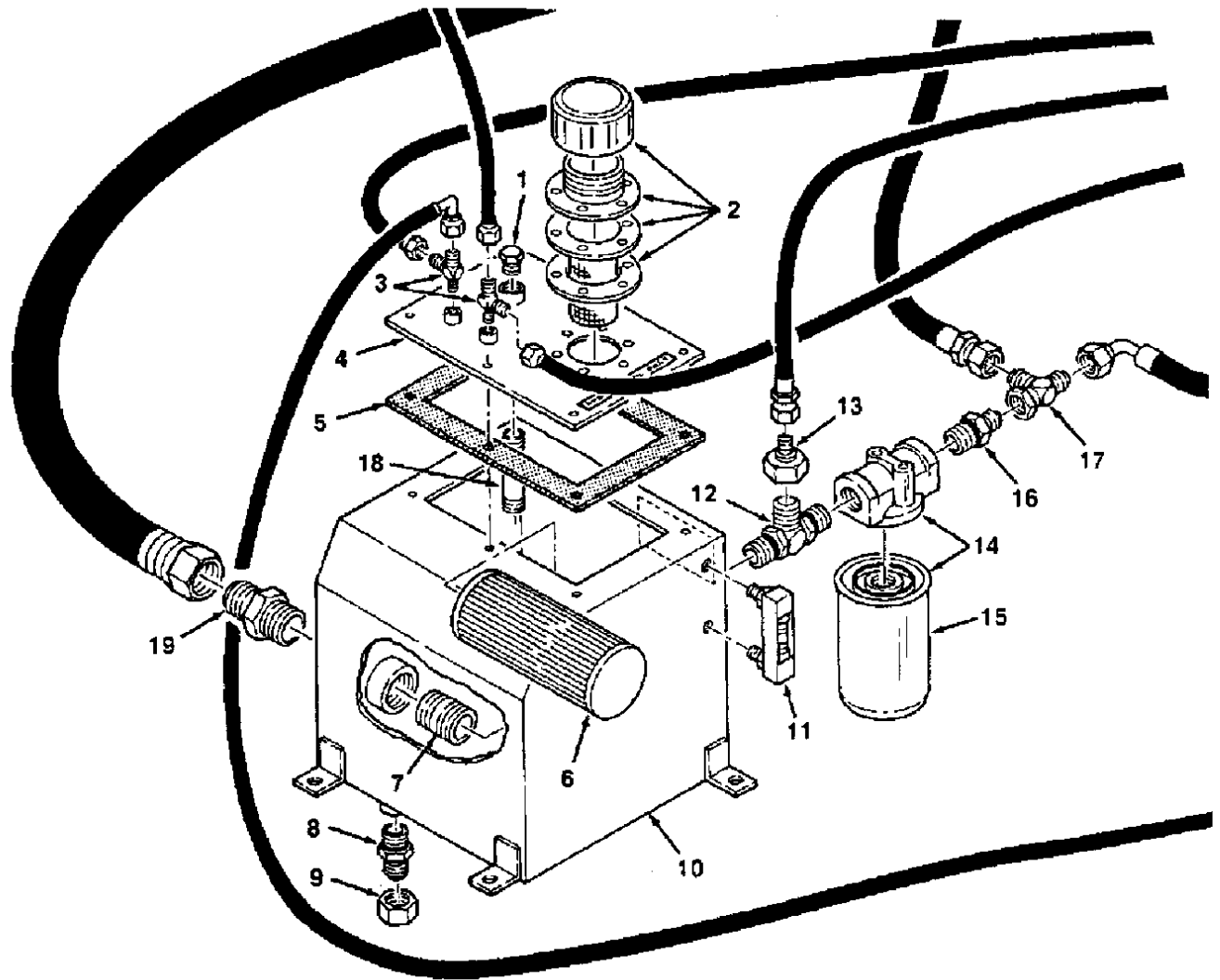


Fig. 36 - Hydraulic Reservoir Group

01644

Key	TENNANT® Part No.	Machine Serial Number	Description	Qty.
1	40362	(000000-003201)	Fitting, Plug	1
	34580	(000000-003201)	Reservoir Assembly	1
2	34306	(000000-003201)	Cap, Filler Breather	1
3	34369	(000000-003201)	Fitting, Tee	2
4	34305	(000000-003201)	Cover	1
5	52733	(000000-003201)	Gasket	1
6	34308	(000000-003201)	Strainer, Hydraulic	1
7	07740	(000000-003201)	Fitting, Nipple	1
8	46480	(000000-003201)	Fitting, Straight	1
9	47579	(000000-003201)	Fitting, Cap	1
10	34300	(000000-003201)	Reservoir	1
11	48081	(000000-003201)	Gauge, Sight	1
12	34396	(000000-003201)	Fitting, Tee	1
13	34375	(000000-003201)	Fitting, Straight	1
14	55619	(000000-003201)	Filter Assembly	1
15	55740	(000000-003201)	Element, Filter	1
16	42227	(000000-003201)	Fitting, Straight	1
17	45482	(000000-003201)	Fitting, Tee	1
18	27324	(000000-003201)	Fitting, Nipple	1
19	34352	(000000-003201)	Fitting, Straight	1

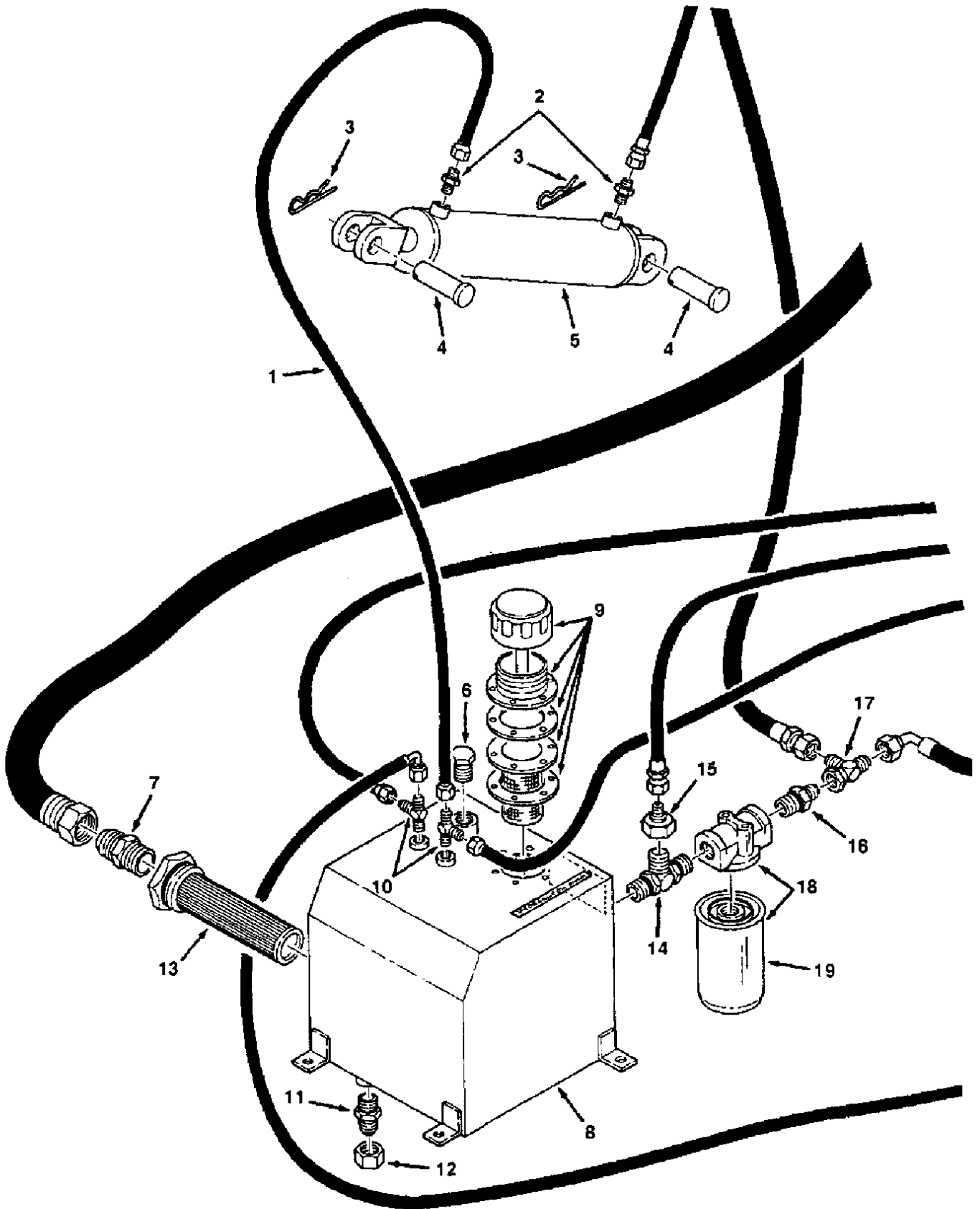


Fig. 37 - Hydraulic Reservoir and Lift Cylinder Group

Fig. 37 - Hydraulic Reservoir and Lift Cylinder Group

Key	TENNANT® Part No.	Machine Serial Number	Description	Qty.
1	34389	(000000-)	Hose	1
2	55586	(000000-)	Fitting, Straight	2
3	34411	(000000-)	Pin, Hair Cotter	2
4	34410	(000000-)	Pin, Clevis	2
5	34327	(000000-)	Cylinder, Hydraulic, (See Hydraulic Components)	1
6	40362	(000000-)	Fitting, Plug	1
7	16863	(003202-)	Fitting, Straight	1
	16846	(003202-)	Reservoir Assembly	1
8	16740	(003202-)	Reservoir	1
9	82780	(003202-)	Breather, Filler	1
10	34390	(003202-)	Fitting, Tee	2
11	46480	(003202-)	Fitting, Straight	1
12	47579	(003202-)	Fitting, Cap	1
13	31613	(003202-)	Strainer, Hydraulic	1
14	34396	(003202-)	Fitting, Tee	1
15	34375	(003202-)	Fitting, Straight	1
16	42227	(003202-)	Fitting, Straight	1
17	45482	(003202-)	Fitting, Tee	1
18	55619	(003202-)	Filter Assembly	1
19	55740	(003202-)	Element, Filter	1

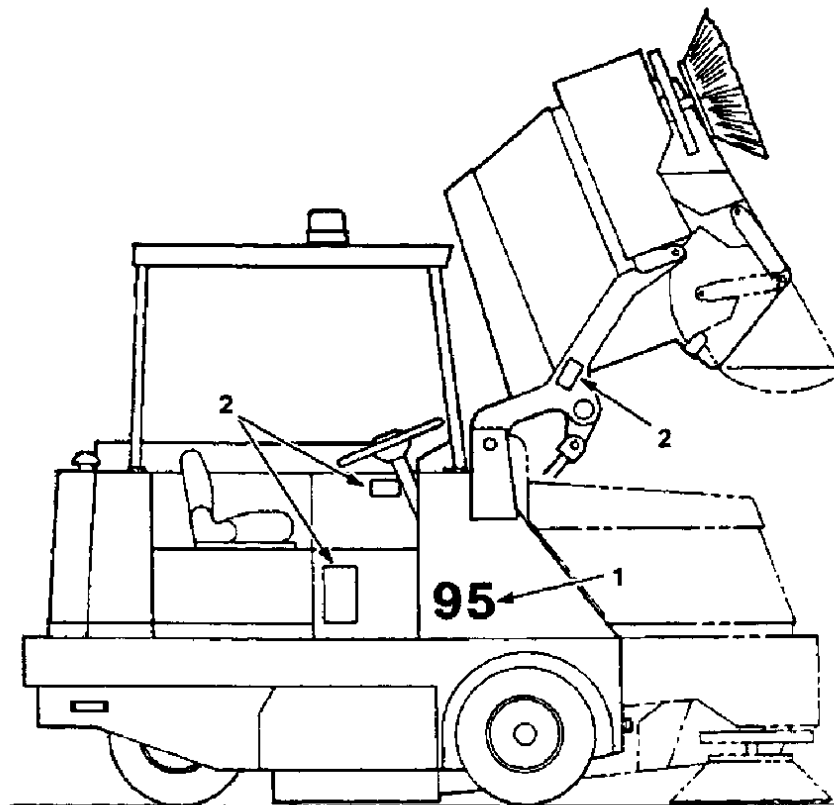
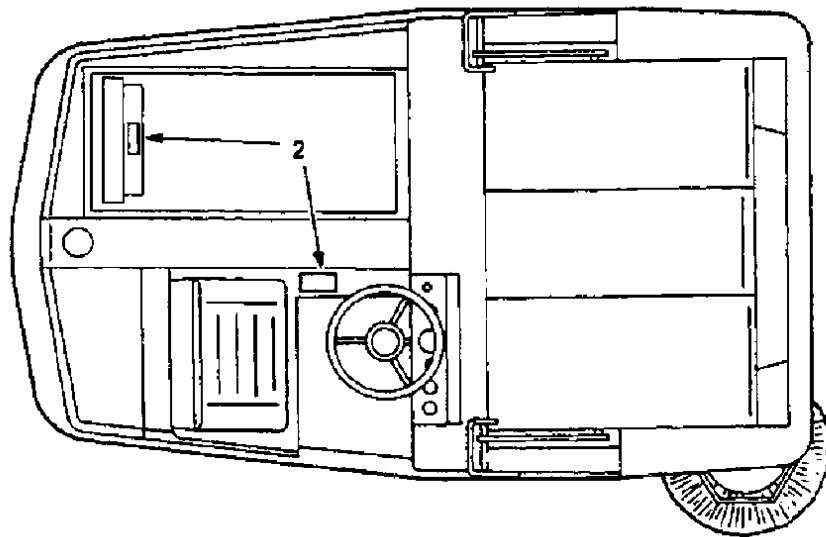


Fig. 38 - Labels Group

01177

Key	TENNANT® Part No.	Machine Serial Number	Description	Qty.
	34091	(000000-)	Label Kit, Complete	1
1	07882	(000000-)	Label Set, 95	1
2	3413B	(000000-)	Label Kit, Hazard	1

SECTION 6

CONTENTS

	Page
ORDERING REPAIR PARTS	6-3
Fig. 1 - Engine and Fuel Tank Group, LPG .	6-4
Fig. 2 - Instrument Panel Group, LPG	6-6
Fig. 3 - Battery Group, LPG	6-7

NOTE: SECTION 6, LPG PARTS, lists repair parts unique to an LPG powered machine.



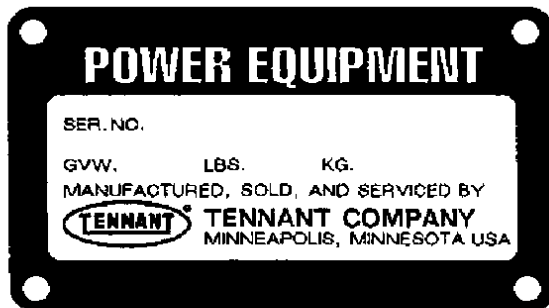
ORDERING REPAIR PARTS

The components used in this machine have been carefully selected for performance and safety. Use only Tennant Company specified or equivalent parts.

To receive prompt service in filling of your parts orders, please direct all orders for parts with Tennant Company part numbers to the Tennant Company, and all orders for parts with vendor part numbers to the local supplier of the respective vendor.

When ordering parts, please furnish all of the following information:

1. Machine model number - shown on the machine data plate.



2. Machine serial number - shown on the machine data plate.
3. Power source - gasoline, LPG, diesel, electric.
4. Company name.
5. Shipping address.
6. Billing address.
7. Name, first and last - of person ordering parts.
8. Telephone number.
9. Purchase order number.
10. Part number, description, and quantity - of each item on the order.
11. Customer ID Number.

Do not order parts by key number or the figure number of the illustrated parts. Indented items indicate parts of assemblies. Standard hardware is furnished only when part of a purchased assembly. Please get hardware from a local hardware supplier.

If the old part cannot be identified, send it to us with the quantity needed specified on the order.

Any claim for loss or damage to a shipment in transit should be filed promptly against the transportation company making the delivery. Shipments will be complete unless the packing list or order acknowledgement indicate items back ordered.

If parts received are suspected to be incorrect or defective, please write, wire, or phone the Tennant Company representative from whom you ordered the part. They will give authorization for return and/or handle replacement shipments when required.

SERIAL NUMBER INFORMATION EXPLANATION

Serial number listings are shown to indicate on which machines each part can be used. These listings are explained by the following examples:

(000000-) The part can be used on all machines.

(003342-) The part can be used on all machines beginning with the serial number listed.

(000000-004320) The part can be used on all machines up to and including serial number listed.

(004321-005678) The part can be used on all machines between and including the serial numbers listed.

Where xxxxx's are listed in place of a serial number, it indicates a change was made but the exact serial number had not been established when the catalog went to press.

SI UNITS OF MEASURE
(INTERNATIONAL SYSTEM)

Metric equivalents have been included, where applicable, throughout this parts catalog.

FASTENER STRENGTH IDENTIFICATION

Fasteners required to have high-strength qualities equivalent to SAE Grade 8 are identified throughout this catalog by the description GR 8. Unless identified by this description, all standard fasteners are SAE Grade 5.

(Specifications and design subject to change without notice.)

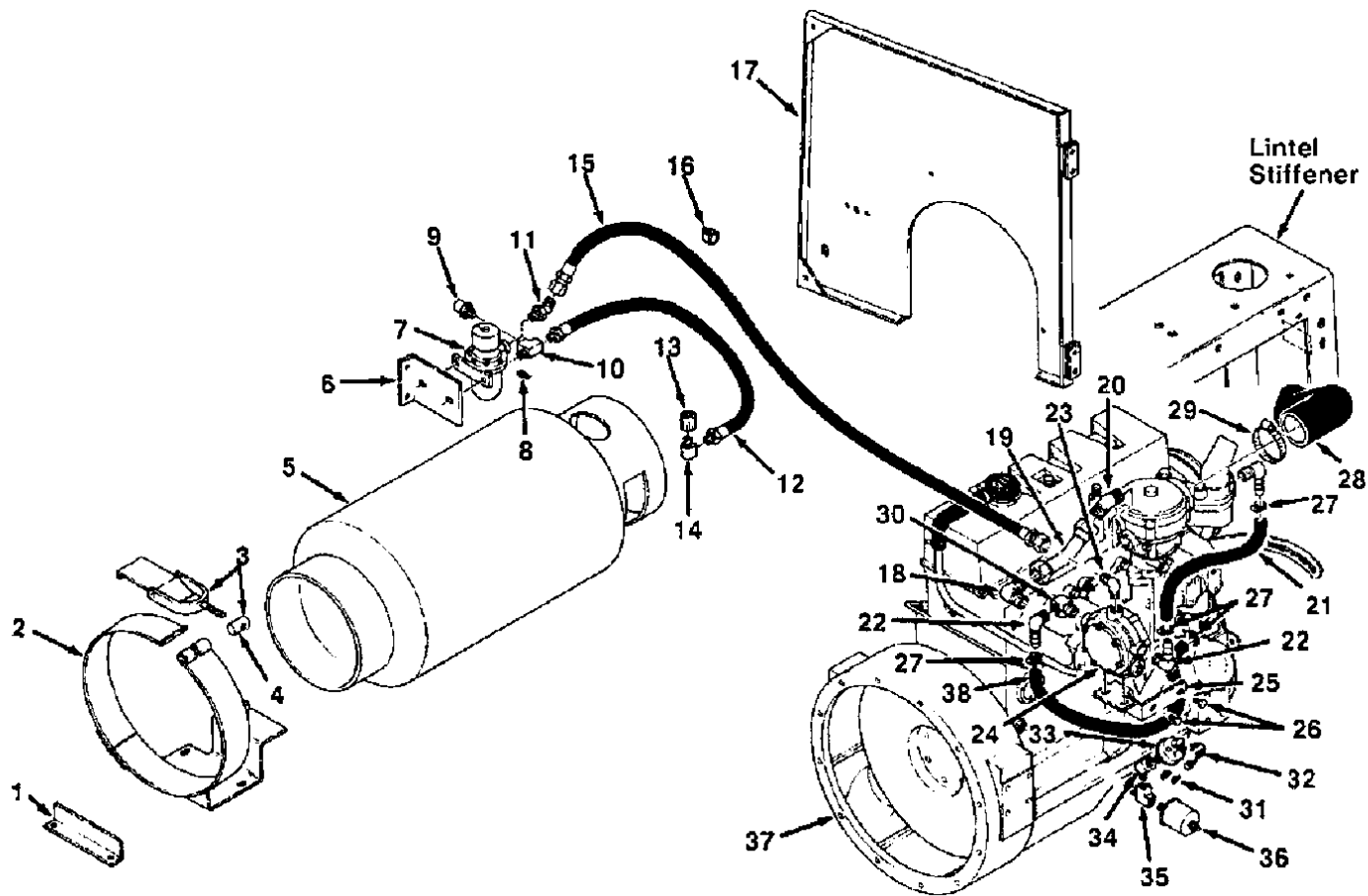


Fig. 1 - Engine and Fuel Tank Group, LPG

NOTE: To identify parts shown but not listed here, see Section 5, Low Dump Model Parts.

Fig. 1 - Engine and Fuel Tank Group, LPG

Key	TENNANT® Part No.	Machine Serial Number	Description	Qty.
1	34282	(000000-)	Angle	1
2	34285	(000000-)	Bracket, LPG Tank	1
3	53400-1	(000000-)	Latch	1
4	53400-4	(000000-)	Lug	1
5	24928	(000000-)	Tank, LPG, 33 Lb (15 Kg)	1
5	24928-1	(000000-)	Tank, LPG, 33 Lb (15 Kg), With Filter Gauge	1
6	34232	(000000-)	Bracket, LPG Lockoff	1
7	33554	(000000-)	Fuel Filter Lock	1
	SK1444	(000000-)	Repair Kit, Fuel Filter Lock	1
8	68106	(000000-)	Terminal, Tab	1
9	24047	(000000-)	Valve, Pressure, Relief	1
10	24929	(000000-)	Fitting, Tee	1
11	56811	(000000-)	Fitting, Elbow, 45°	1
12	10754	(000000-)	Hose	1
13	26496	(000000-)	Coupling, LPG	1
14	27048	(000000-)	Fitting, Elbow	1
15	34289	(000000-)	Hose	1
16	26395-1	(000000-)	Clamp, Cable	1
17	34277	(000000-)	Door, Rear	1
18	46611	(000000-)	Fitting, Elbow	1
19	34880	(000000-)	Tube Assembly	1
20	46485	(000000-)	Fitting, Elbow, 45°	1
21	54027	(000000-)	Hose	1
22	47388	(000000-)	Fitting, Elbow, Barbed	2
23	52424	(000000-)	Fitting, Elbow	1
24	54930	(000000-)	Vaporizer, LPG	1
	55998	(000000-)	Repair Kit, Vaporizer, LPG	1
25	34881	(000000-)	Bracket, Vaporizer Mounting	1
26	16735	(000000-)	Screw, Hex	2
27	54333	(000000-)	Clamp, Worm Drive	4
28	34969	(000000-)	Hose, Carburetor	1
29	14432	(000000-)	Clamp, Worm Drive	1
30	24584	(000000-)	Elbow	1
31	68106	(000000-)	Terminal, Tab	2
32	34860	(000000-)	Rectifier Assembly, LPG	1
33	51805	(000000-)	Switch, Oil Pressure	1
34	24976	(000000-)	Fitting, Elbow, 45°	1
35	26426	(000000-)	Fitting, Tee	1
36	34808	(000000-)	Sender, Oil Pressure	1
37	34930	(000000-003039)	Engine, (Replaced by 16870)	1
37	16870	(003040-004625)	Engine, (Replaced by 31936)	1
37	31936	(004626-)	Engine, (See Engine Parts)	1
38	47826	(000000-)	Hose	1

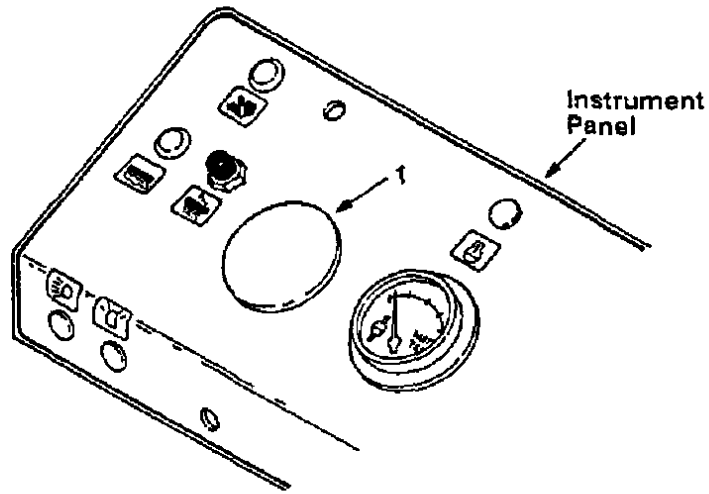


Fig. 2 - Instrument Panel Group, LPG

01520

Key	TENNANT® Part No.	Machine Serial Number	Description	Qty.
1	47178-6	(000000-)	Plugbutton	1

NOTE: To identify parts shown but not listed here, see Section 5, Low Dump Model Parts.

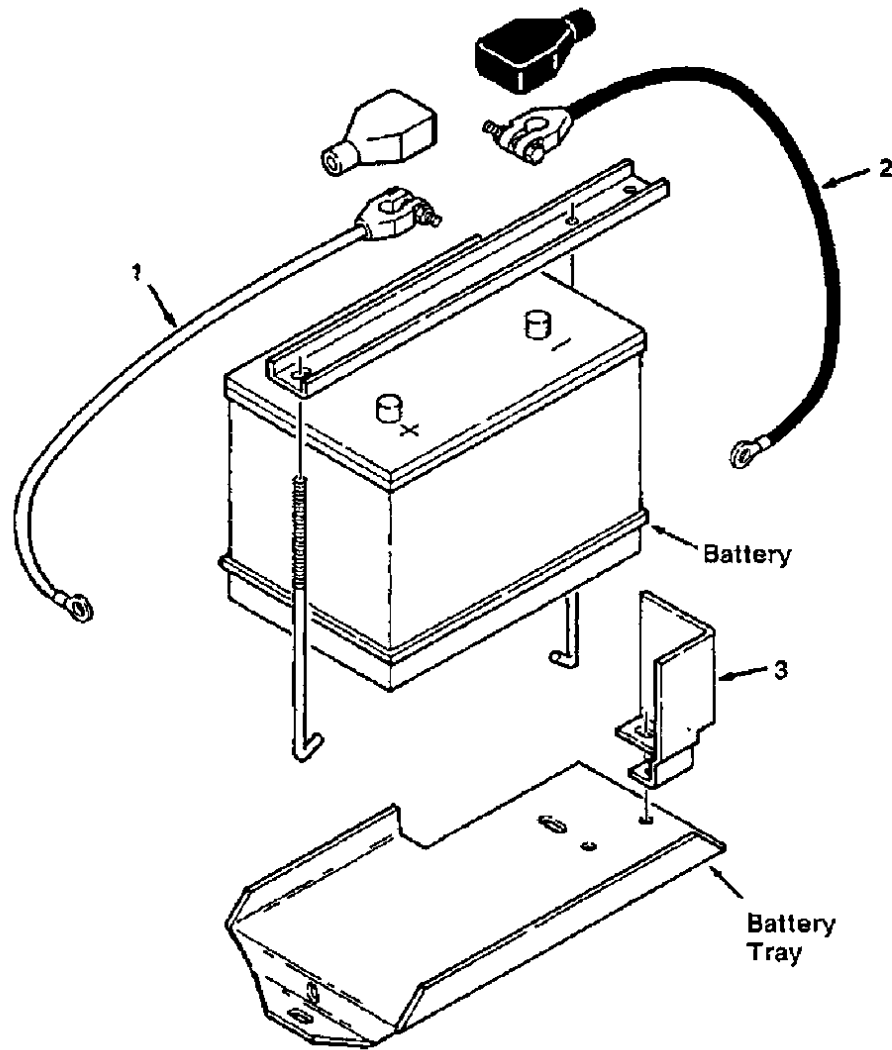


Fig. 3 - Battery Group, LPG

01522

Key	TENNANT® Part No.	Machine Serial Number	Description	Qty.
1	34823	(000000-)	Cable, Positive Battery	1
2	34821	(000000-)	Cable, Negative Battery	1
3	34288	(000000-)	Bracket, Battery	1

NOTE: To identify parts shown but not listed here, see Section 5, Low Dump Model Parts.



SECTION 7

CONTENTS

	Page
ORDERING REPAIR PARTS	7-3
Fig. 1 - Engine Group, Continental Diesel .	7-4
Fig. 2 - Instrument Panel Group, Continental Diesel	7-6
Fig. 3 - Air Cleaner Group, Continental Diesel	7-7
Fig. 4 - Fuel Tank Group, Continental Diesel	7-8

NOTE: SECTION 7, DIESEL PARTS, CONTINENTAL lists repair parts unique to a Continental diesel powered machine.

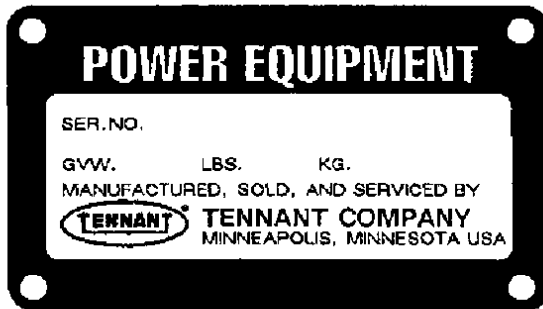
ORDERING REPAIR PARTS

The components used in this machine have been carefully selected for performance and safety. Use only Tennant Company specified or equivalent parts.

To receive prompt service in filling of your parts orders, please direct all orders for parts with Tennant Company part numbers to the Tennant Company, and all orders for parts with vendor part numbers to the local supplier of the respective vendor.

When ordering parts, please furnish all of the following information:

1. Machine model number - shown on the machine data plate.



2. Machine serial number - shown on the machine data plate.
3. Power source - gasoline, LPG, diesel, electric.
4. Company name.
5. Shipping address.
6. Billing address.
7. Name, first and last - of person ordering parts.
8. Telephone number.
9. Purchase order number.
10. Part number, description, and quantity - of each item on the order.
11. Customer ID Number.

Do not order parts by key number or the figure number of the illustrated parts. Indented items indicate parts of assemblies. Standard hardware is furnished only when part of a purchased assembly. Please get hardware from a local hardware supplier.

If the old part cannot be identified, send it to us with the quantity needed specified on the order.

Any claim for loss or damage to a shipment in transit should be filed promptly against the transportation company making the delivery. Shipments will be complete unless the packing list or order acknowledgement indicate items back ordered.

If parts received are suspected to be incorrect or defective, please write, wire, or phone the Tennant Company representative from whom you ordered the part. They will give authorization for return and/or handle replacement shipments when required.

SERIAL NUMBER INFORMATION EXPLANATION

Serial number listings are shown to indicate on which machines each part can be used. These listings are explained by the following examples:

(000000-) The part can be used on all machines.

(003342-) The part can be used on all machines beginning with the serial number listed.

(000000-004320) The part can be used on all machines up to and including serial number listed.

(004321-005678) The part can be used on all machines between and including the serial numbers listed.

Where xxxxx's are listed in place of a serial number, it indicates a change was made but the exact serial number had not been established when the catalog went to press.

**SI UNITS OF MEASURE
(INTERNATIONAL SYSTEM)**

Metric equivalents have been included, where applicable, throughout this parts catalog.

FASTENER STRENGTH IDENTIFICATION

Fasteners required to have high-strength qualities equivalent to SAE Grade 8 are identified throughout this catalog by the description GR 8. Unless identified by this description, all standard fasteners are SAE Grade 5.

(Specifications and design subject to change without notice.)

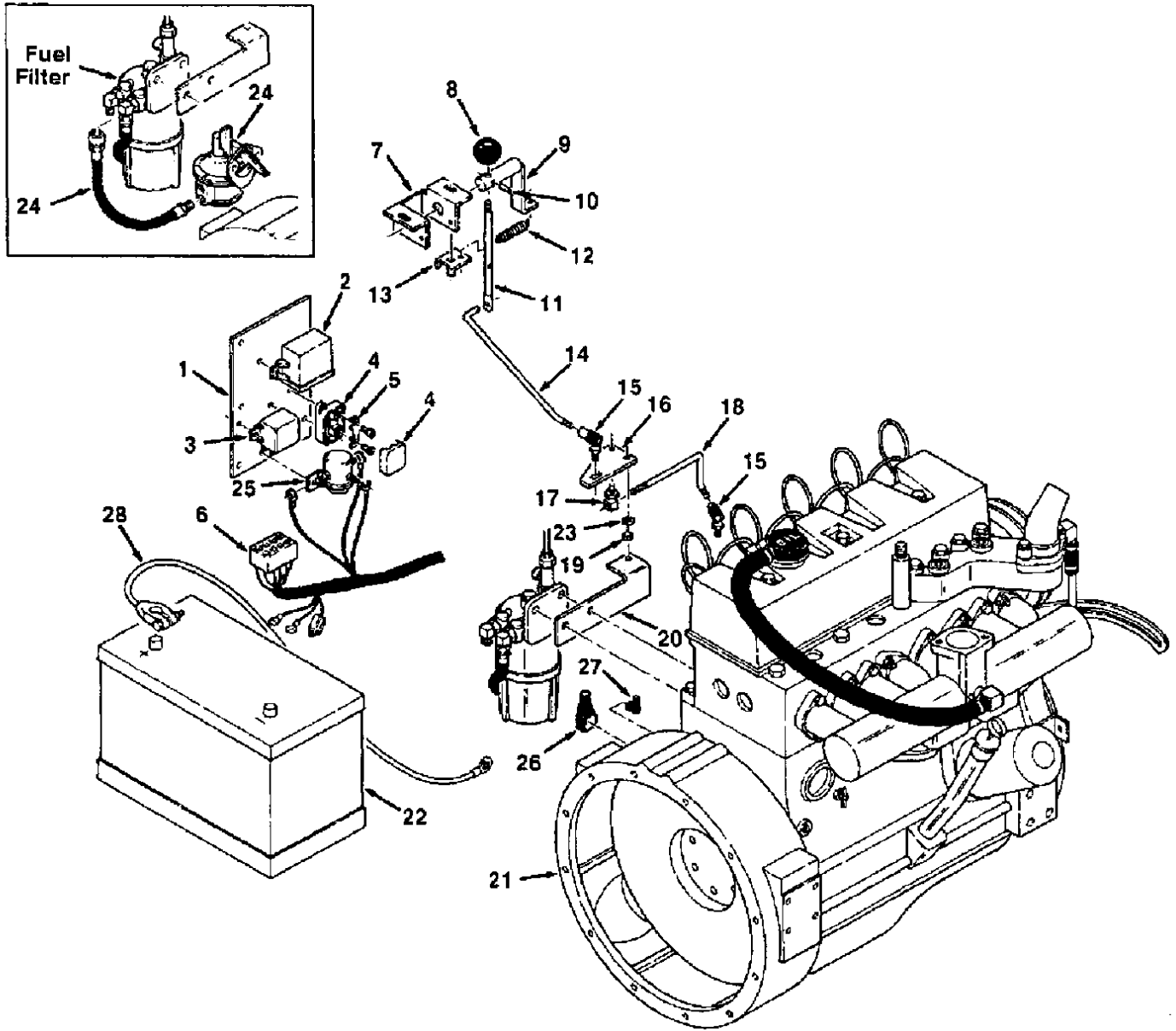
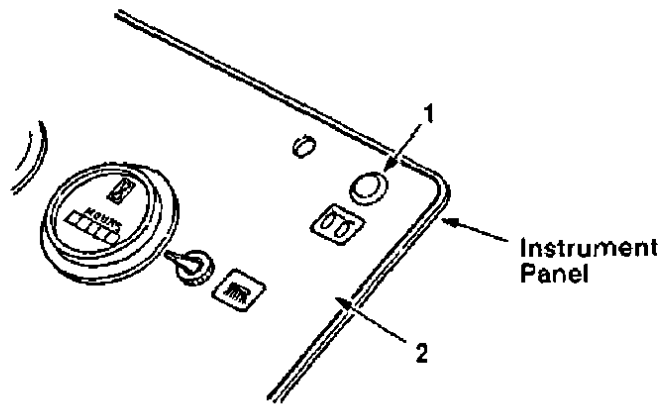


Fig. 1 - Engine Group, Continental Diesel

Fig. 1 - Engine Group, Continental Diesel

Key	Tennant® Part No.	Machine Serial Number	Description	Qty.
1	34841	(000000-)	Plate	1
2	34801	(000000-)	Control Unit, Glow Plug	1
3	34804	(000000-)	Relay, Power	1
4	34802	(000000-)	Holder, Fuse	1
5	34803	(000000-)	Fuse, 80 A	1
6	34861	(000000-003039)	Wire Harness, Diesel Control	1
6	16848	(003040-)	Wire Harness, Diesel Control	1
	34595	(000000-)	Throttle Control Assembly	1
7	51689	(000000-)	Bracket, Throttle	1
8	26565	(000000-)	Knob	1
9	34895	(000000-)	Pin, Throttle	1
10	20021	(000000-)	Pin, Roll	1
11	51690	(000000-)	Lever, Throttle	1
12	75575	(000000-)	Spring	1
13	34929	(000000-)	Tab, Spring	1
14	34918	(000000-)	Rod, Throttle	1
15	14601	(000000-)	Ball Joint	2
16	34971	(000000-)	Bellcrank	1
17	34924	(000000-)	Ball Joint	1
18	34972	(000000-)	Rod, Throttle	1
19	64699	(000000-)	Sleeve	1
20	34970	(000000-)	Bracket, Bellcrank Mounting	1
21	34910	(000000-003039)	Engine, (Replaced by 16850)	1
21	16850	(003040-004543)	Engine, (Replaced by 31937)	1
21	31937	(004544-)	Engine, Continental Diesel, (See Engine Parts)	1
22	10136	(000000-)	Battery, 625 CCA	1
23	39867	(000000-)	Washer, Wavy	1
24	16705	(000000-002731)	Pump Kit, Fuel	1
25	47356	(003040-)	Relay	1
26	68872	(003040-)	Boot, Battery	1
27	02076	(003040-)	Cover, Terminal	1
28	34823	(003040-)	Cable, Battery, Positive	1



01519

Fig. 2 - Instrument Panel Group, Continental Diesel

Key	Tennant® Part No.	Machine Serial Number	Description	Qty.
1	34820	(000000-)	Lamp, Indicator	1
2	34143	(000000-004575)	Label, Instrument Panel	1
2	34775	(004576-)	Label, Instrument Panel	1

NOTE: To identify parts shown but not listed here, see Section 5, Low Dump Model Parts.

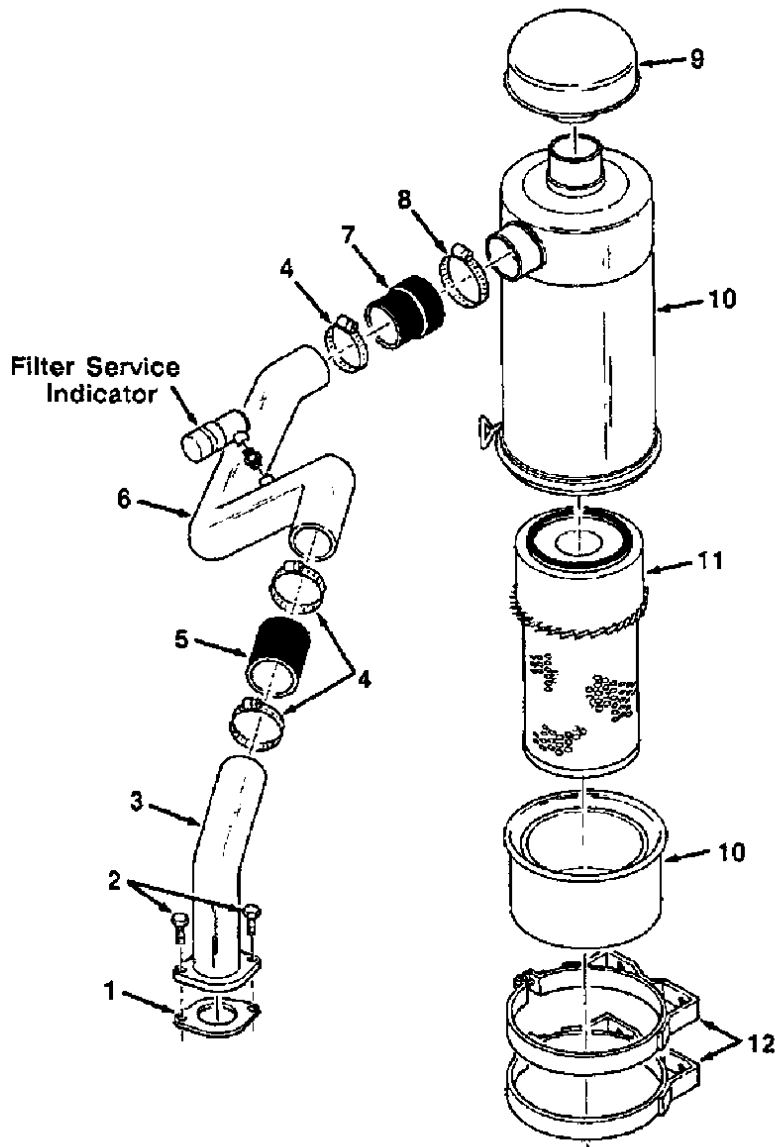


Fig. 3 - Air Cleaner Group, Continental Diesel

01525

Key	TENNANT® Part No.	Machine Serial Number	Description	Qty.
1	34954	(000000-)	Gasket	1
2	39277	(000000-)	Screw, Hex	2
3	34915	(000000-)	Elbow, Intake	1
4	22297	(000000-)	Clamp, Worm Drive	3
5	15543	(000000-)	Hose	1
6	34917	(000000-)	Tube, Air Cleaner	1
7	52992	(000000-)	Adaptor	1
8	14432	(000000-)	Clamp, Worm Drive	1
9	76322	(000000-)	Cap, Intake	1
10	76319	(000000-)	Air Cleaner	1
11	76335	(000000-)	Element, Air Cleaner	1
12	34493	(000000-)	Band, Mounting	2

NOTE: To identify parts shown but not listed here, see Section 5, Low Dump Model Parts.

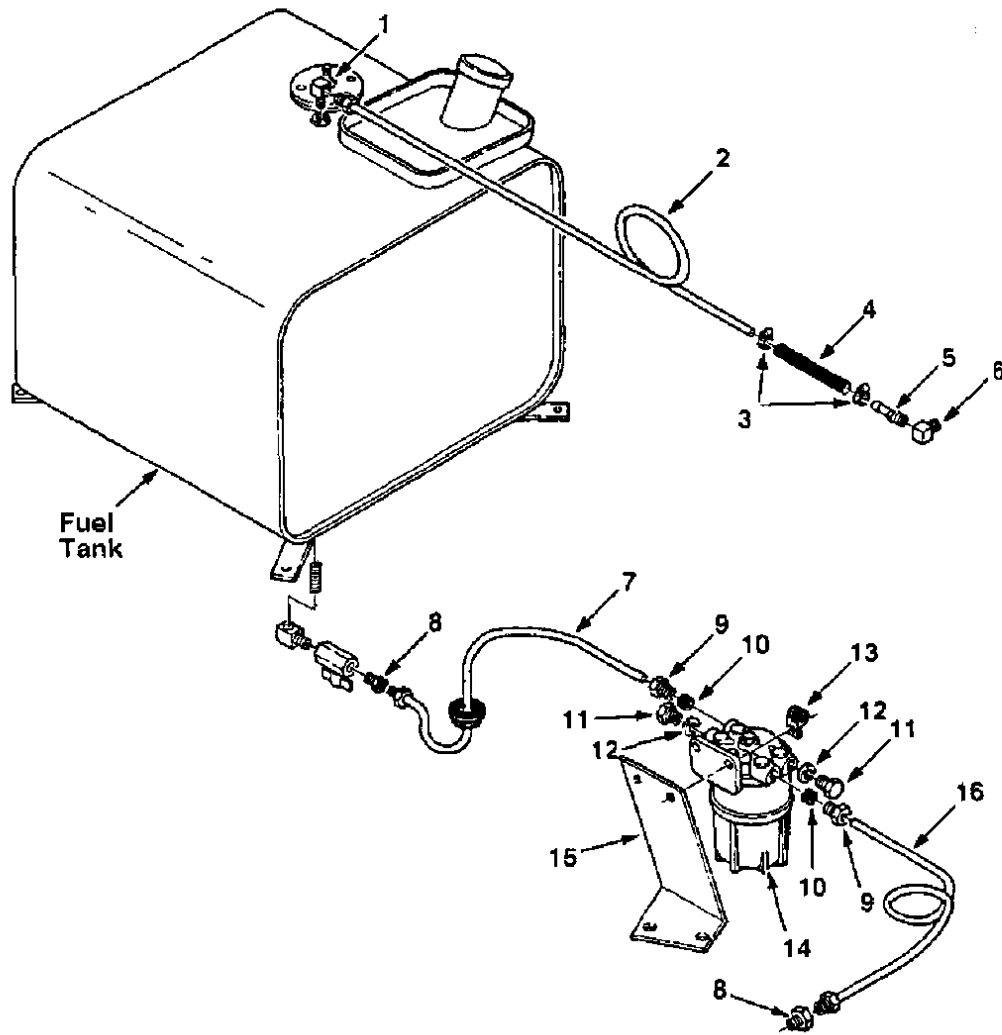


Fig. 4 - Fuel Tank Group, Continental Diesel

01641

Key	TENNANT® Part No.	Machine Serial Number	Description	Qty.
1	15555	(000000-)	Fitting, Elbow	1
2	34885	(000000-)	Fuel Line Assembly	1
3	43844	(000000-)	Clamp, Worm Drive	2
4	32808	(000000-)	Hose	1
5	48253	(000000-)	Fitting, Straight, Barbed	1
6	11984	(000000-)	Fitting, Elbow	1
7	34893	(000000-)	Fuel Line Assembly	1
8	40585	(000000-)	Fitting, Straight	2
9	62048	(000000-)	Nut, Tube	2
10	32590	(000000-)	Olive, Rubber	2
11	32436	(000000-)	Plug, Sealing	2
12	32435	(000000-)	Washer, Sealing	2
13	46236	(000000-)	Clamp, Cable	2
14	52770-8	(000000-)	Watertrap, Fuel	1
15	34958	(000000-)	Bracket, Fuel Filter	1
16	34894	(000000-)	Fuel Line	1

NOTE: To identify parts shown but not listed here, see Section 5, Low Dump Model Parts.

CONTENTS

	Page
ORDERING REPAIR PARTS	8-3
Fig. 1 - Engine Group, Perkins Diesel	8-4
Fig. 2 - Throttle Linkage Group, Perkins Diesel	8-6
Fig. 3 - Oil Pressure Switch Group, Perkins Diesel, SE	8-7
Fig. 4 - Radiator Shroud Group, Perkins Diesel	8-8
Fig. 5 - Air Cleaner Group, Perkins Diesel ..	8-9
Fig. 6 - Muffler Group, Perkins Diesel	8-10
Fig. 7 - Hydraulic Cooler Group, Perkins Diesel, AA, SE	8-11
Fig. 8 - Fuel Tank Group, Perkins Diesel ...	8-12
Fig. 9 - Instrument Panel Group, Perkins Diesel	8-13

NOTE: SECTION 8, DIESEL PARTS, PERKINS lists repair parts unique to a Perkins diesel powered machine.

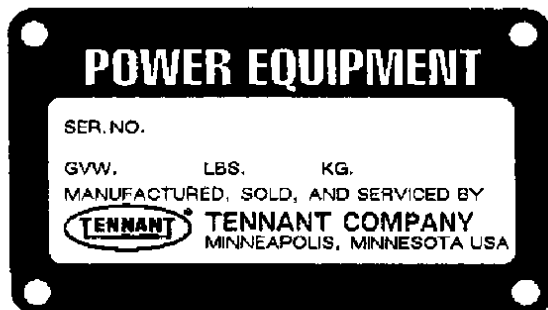
ORDERING REPAIR PARTS

The components used in this machine have been carefully selected for performance and safety. Use only Tennant Company specified or equivalent parts.

To receive prompt service in filling of your parts orders, please direct all orders for parts with Tennant Company part numbers to the Tennant Company, and all orders for parts with vendor part numbers to the local supplier of the respective vendor.

When ordering parts, please furnish all of the following information:

1. Machine model number - shown on the machine data plate.



2. Machine serial number - shown on the machine data plate.
3. Power source - gasoline, LPG, diesel, electric.
4. Company name.
5. Shipping address.
6. Billing address.
7. Name, first and last - of person ordering parts.
8. Telephone number.
9. Purchase order number.
10. Part number, description, and quantity - of each item on the order.
11. Customer ID Number.

Do not order parts by key number or the figure number of the illustrated parts. Indented items indicate parts of assemblies. Standard hardware is furnished only when part of a purchased assembly. Please get hardware from a local hardware supplier.

If the old part cannot be identified, send it to us with the quantity needed specified on the order.

Any claim for loss or damage to a shipment in transit should be filed promptly against the transportation company making the delivery. Shipments will be complete unless the packing list or order acknowledgement indicate items back ordered.

If parts received are suspected to be incorrect or defective, please write, wire, or phone the Tennant Company representative from whom you ordered the part. They will give authorization for return and/or handle replacement shipments when required.

SERIAL NUMBER INFORMATION EXPLANATION

Serial number listings are shown to indicate on which machines each part can be used. These listings are explained by the following examples:

(000000-) The part can be used on all machines.

(003342-) The part can be used on all machines beginning with the serial number listed.

(000000-004320) The part can be used on all machines up to and including serial number listed.

(004321-005678) The part can be used on all machines between and including the serial numbers listed.

Where xxxxx's are listed in place of a serial number, it indicates a change was made but the exact serial number had not been established when the catalog went to press.

SI UNITS OF MEASURE (INTERNATIONAL SYSTEM)

Metric equivalents have been included, where applicable, throughout this parts catalog.

FASTENER STRENGTH IDENTIFICATION

Fasteners required to have high-strength qualities equivalent to SAE Grade 8 are identified throughout this catalog by the description GR 8. Unless identified by this description, all standard fasteners are SAE Grade 5.

(Specifications and design subject to change without notice.)

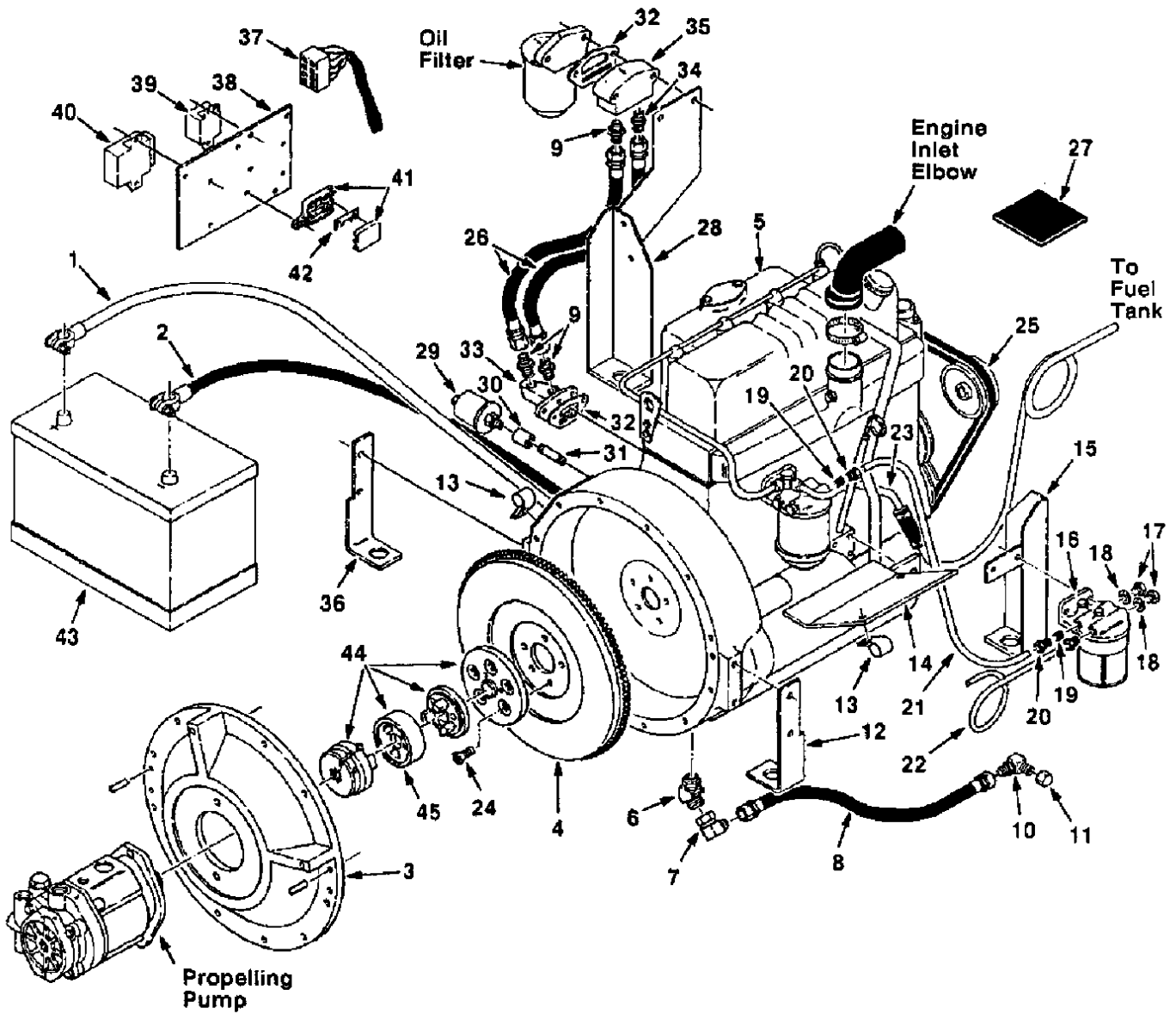


Fig. 1 - Engine Group, Perkins Diesel

NOTE: To identify parts shown but not listed here, see Section 5, Low Dump Model Parts.

Fig. 1 - Engine Group, Perkins Diesel

Key	TENNANT® Part No.	Machine Serial Number	Description	Qty.
1	07855	(003430-)	Cable Assembly, Battery, Positive	1
2	29832-4	(003430-)	Cable Assembly, Battery, Negative	1
3	07844	(003430-)	Mount, Pump	1
4	07854	(003430-)	Flywheel and Ring	1
5	07845	(003430-)	Engine, Perkins Diesel, (See Engine Parts)	1
6	42226	(003430-)	Fitting, Elbow, 45°	1
7	17980	(003430-)	Fitting, Elbow	1
8	55696	(003430-)	Hose	1
9	15687	(003430-)	Fitting, Straight	3
10	34365	(003430-)	Fitting, Elbow	1
11	60090	(003430-)	Fitting, Cap	1
12	07840	(003430-)	Mount, Engine, L.H.	1
13	40678-1	(003430-)	Clamp, Cable	2
14	19892	(003430-)	Panel, Deflector	1
15	62218	(003430-)	Mount, Front Engine, L.H.	1
16	52770-8	(003430-)	Watertrap, Fuel	1
17	32436	(003430-)	Plug, Sealing	2
18	32435	(003430-)	Washer, Sealing	2
19	32590	(003430-)	Olive, Rubber	2
20	32587	(003430-)	Nut, Water Trap	2
21	62049-4	(003430-)	Tube, Fuel Line	1
22	07856	(003430-)	Tube, Fuel Line	1
23	07861	(003430-)	Tube, Fuel Line	1
24	32701	(003430-)	Screw, Flat Head	5
25	54914	(003430-)	Sheave	1
26	42212	(003430-)	Hose, Hydraulic	2
27	36658	(003430-)	Strip, Rubber	1
28	07839	(003430-)	Mount, Front Engine, R.H.	1
29	34808	(003430-)	Sender, Oil Pressure	1
30	11848	(003430-)	Fitting, Coupling	1
31	26927	(003430-)	Fitting, Nipple	1
32	32588	(003430-)	Gasket, Oil	2
33	52770-2	(003430-)	Adaptor, Oil Filter	1
34	06743	(003430-)	Fitting, Straight	1
35	52770-3	(003430-)	Adaptor, Oil Filter	1
36	07841	(003430-)	Mount, Engine, R.H.	1
	07867	(003430-)	Control Assembly, Glow Plug	1
37	34861	(003430-)	Wire Harness, Diesel	1
38	34841	(003430-)	Plate	1
39	34804	(003430-)	Relay	1
40	34801	(003430-)	Control Unit, Glow Plug	1
41	34802	(003430-)	Holder, Fuse	1
42	34803	(003430-)	Fuse, 80 A	1
43	34900	(003430-)	Battery	1
44	32702	(003430-)	Coupling, Spline	1
45	76291	(003430-)	Insert, Drive	1

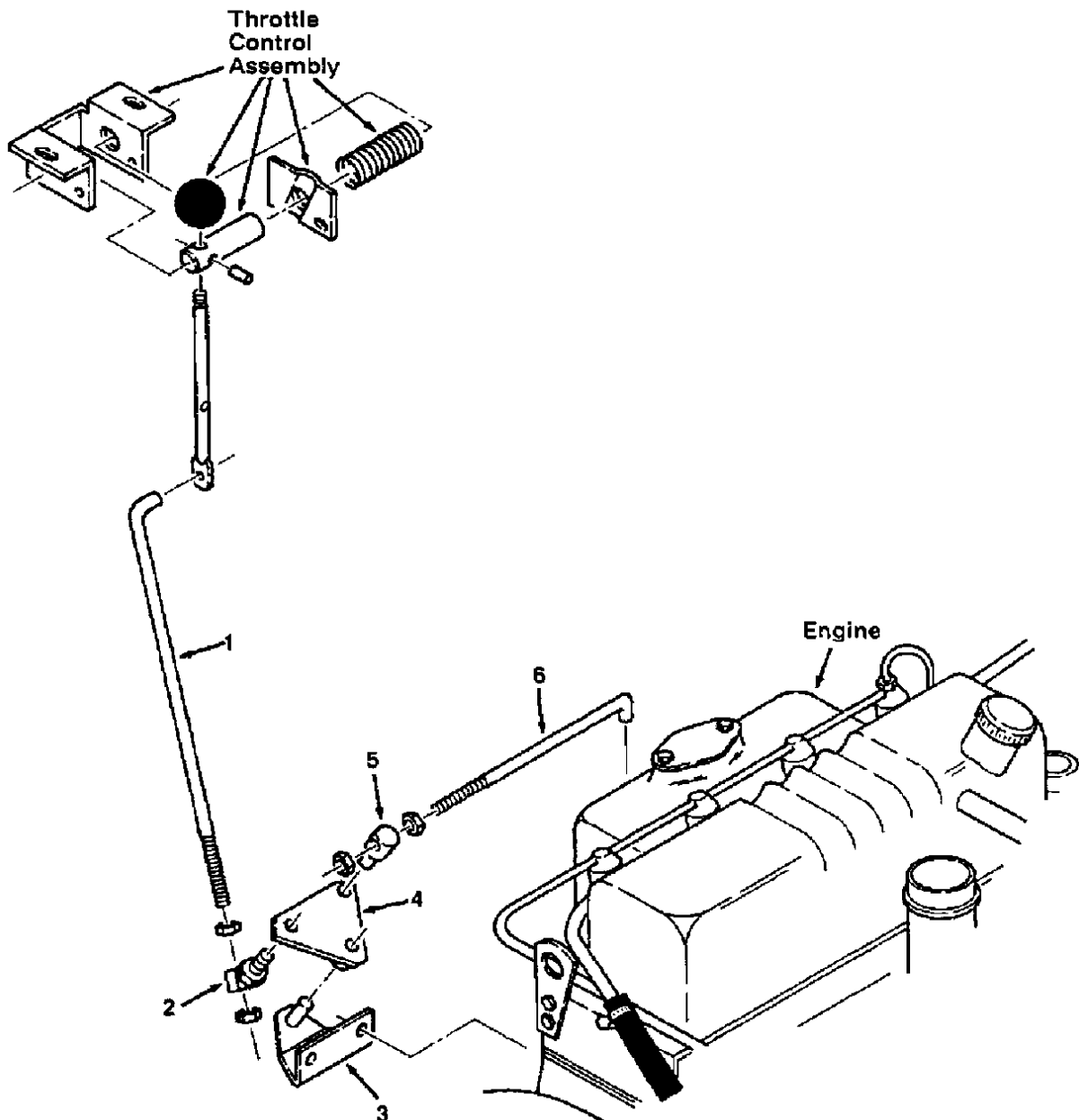


Fig. 2 - Throttle Linkage Group, Perkins Diesel

03545

Key	TENNANT® Part No.	Machine Serial Number	Description	Qty.
1	07832	(003430-)	Rod, Throttle Bellcrank	1
2	34924	(003430-)	Ball Joint	1
3	62347	(003430-)	Bracket	1
4	07831	(003430-)	Bellcrank, Throttle	1
5	54742	(003430-)	Connector	1
6	07833	(003430-)	Rod, Throttle	1

NOTE: To identify parts shown but not listed here, see Section 5, Low Dump Model Parts.

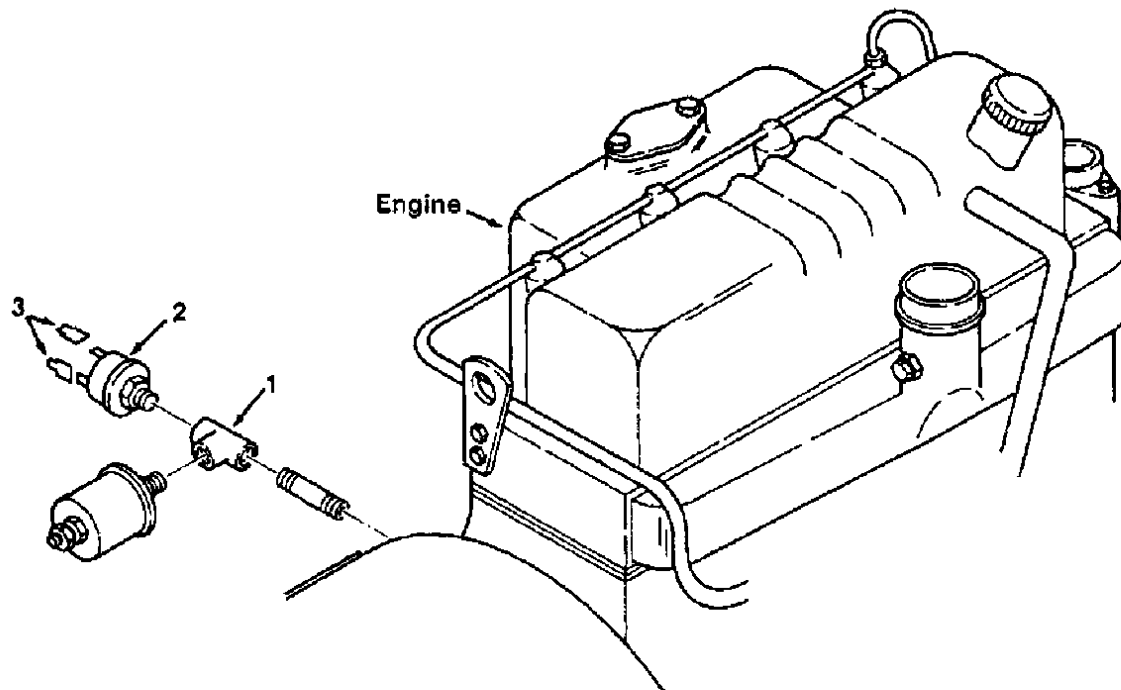
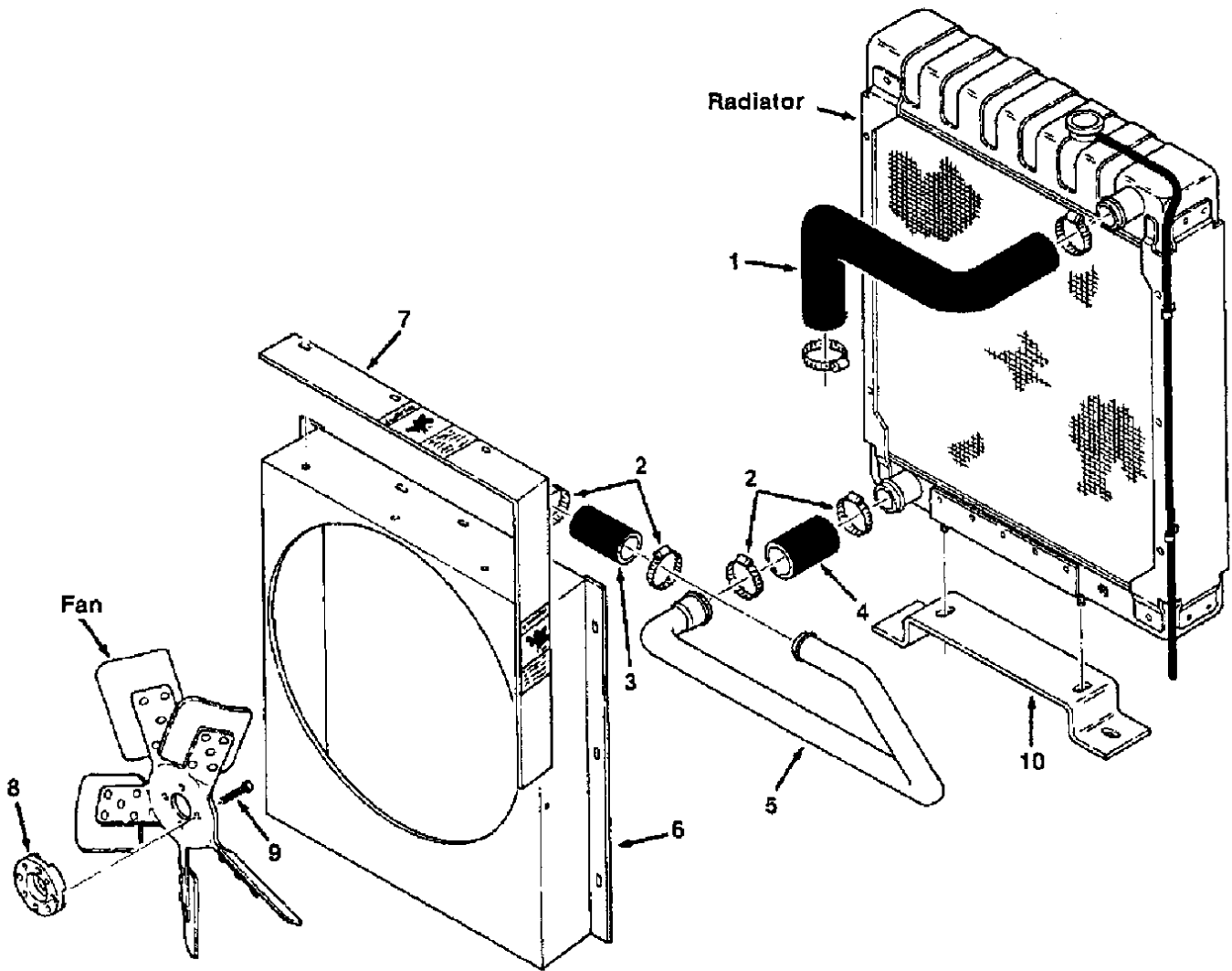


Fig. 3 - Oil Pressure Switch Group, Perkins Diesel, SE

03648

Key	TENNANT® Part No.	Machine Serial Number	Description	Qty.
1	22309	(003430-)	Fitting, Tee	1
2	51805	(003430-)	Switch, Oil Pressure	1
3	68106	(003430-)	Terminal, Tab	2

NOTE: To identify parts shown but not listed here, see Section 12, SE Model Parts.



03543

Fig. 4 - Radiator Shroud Group, Perkins Diesel

Key	TENNANT® Part No.	Machine Serial Number	Description	Qty.
1	07858	(003430-)	Hose, Radiator	1
2	11531	(003430-)	Clamp, Worm Drive	4
3	62378	(003430-)	Hose, Radiator	1
4	62377	(003430-)	Hose, Radiator	1
5	07848	(003430-)	Tube, Lower Radiator	1
6	07842	(003430-)	Shroud, Fan	1
7	34111	(003430-)	Shroud Wrap and Label Assembly	1
8	62214	(003430-)	Spacer, Fan	1
9	39987	(003430-)	Screw, Socket	4
10	07851	(003430-)	Mount, Radiator	1

NOTE: To identify parts shown but not listed here, see Section 5, Low Dump Model Parts.

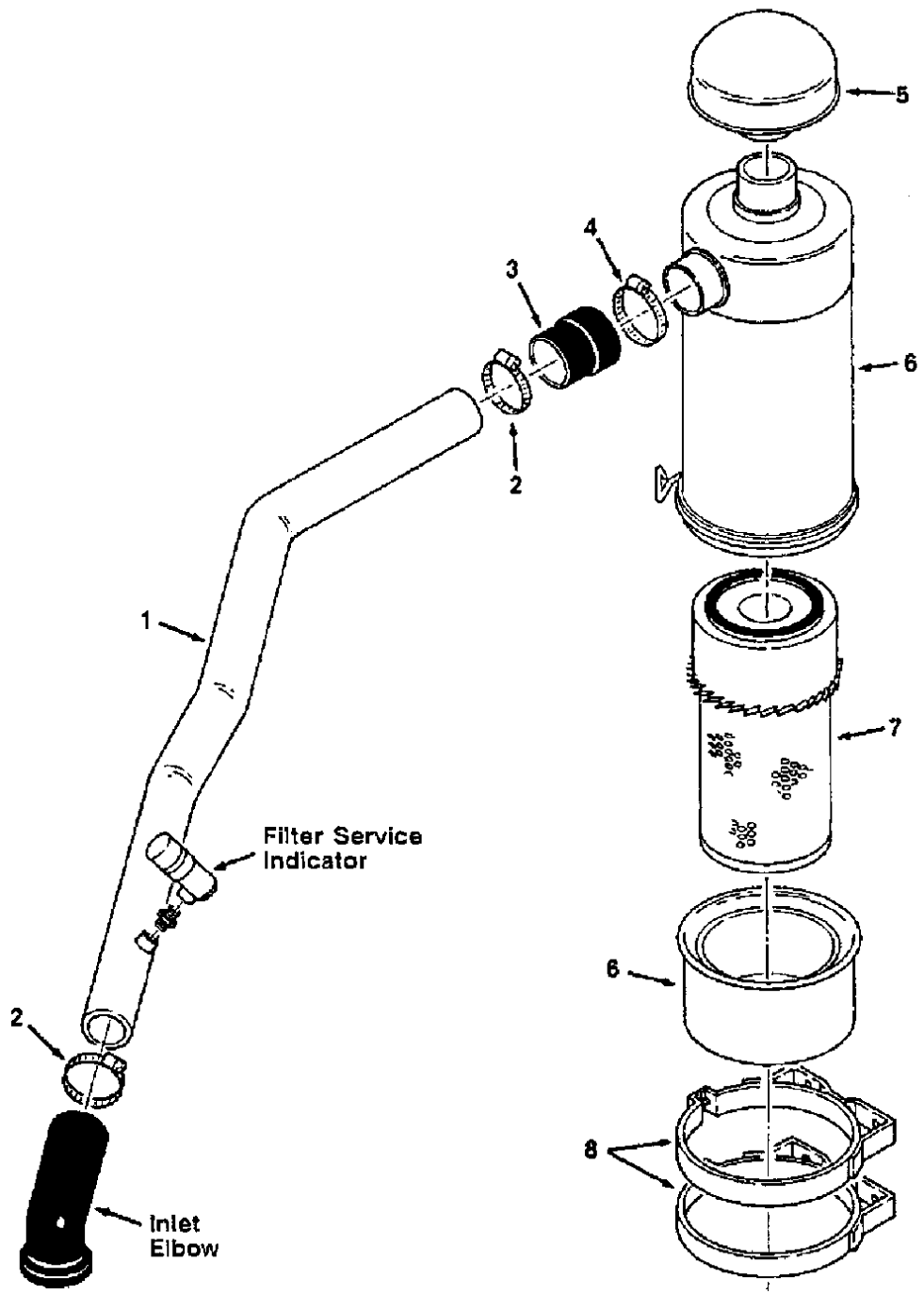


Fig. 5 - Air Cleaner Group, Perkins Diesel

03544

Key	TENNANT® Part No.	Machine Serial Number	Description	Qty.
1	07849	(003430-)	Tube, Air Intake	1
2	22297	(003430-)	Clamp, Worm Drive	2
3	52992	(003430-)	Adapter	1
4	14432	(003430-)	Clamp, Worm Drive	1
5	76322	(003430-)	Cap, Intake	1
6	76319	(003430-)	Air Cleaner	1
7	76335	(003430-)	Element, Air Cleaner	1
8	34493	(003430-)	Band, Mounting	2

NOTE: To identify parts shown but not listed here, see Section 5, Low Dump Model Parts.

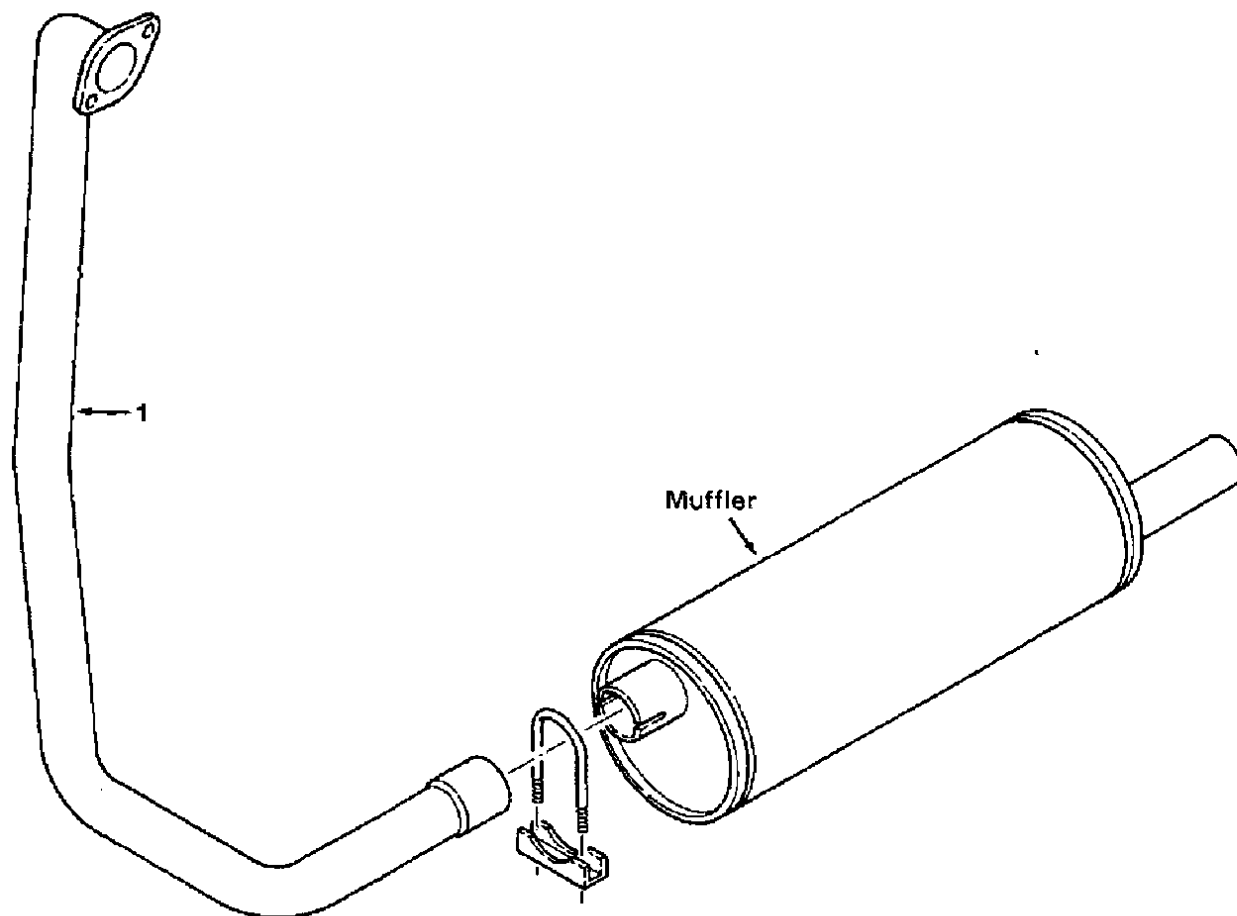


Fig. 6 - Muffler Group, Perkins Diesel

03546

Key	TENNANT® Part No.	Machine Serial Number	Description	Qty.
1	07850	(003430-)	Tube, Exhaust	1

NOTE: To identify parts shown but not listed here, see Section 5, Low Dump Model Parts.

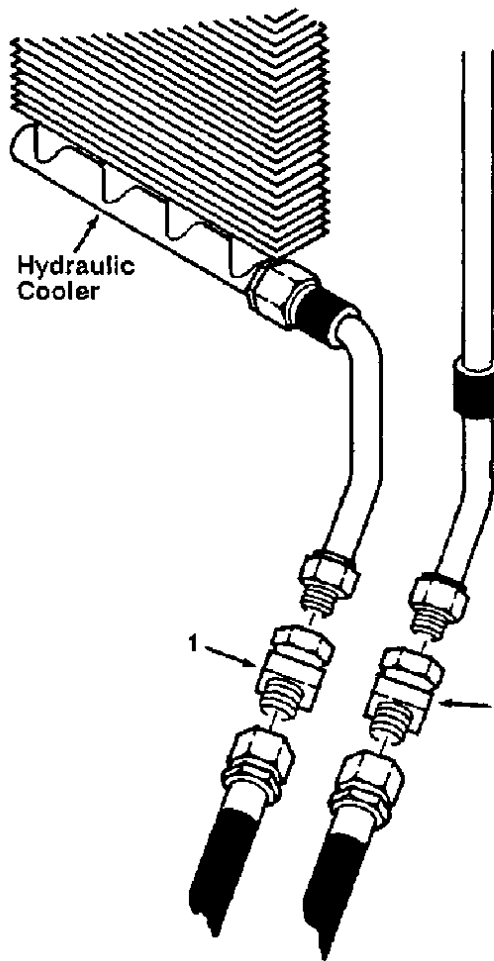


Fig. 7 - Hydraulic Cooler Group, Perkins Diesel, AA, SE

03557

Key	TENNANT® Part No.	Machine Serial Number	Description	Qty.
1	54017	(003430-)	Fitting, Elbow, 45°	2

NOTE: To identify parts shown but not listed here, see Section 11, AA Model Parts, or Section 12, SE Model Parts.

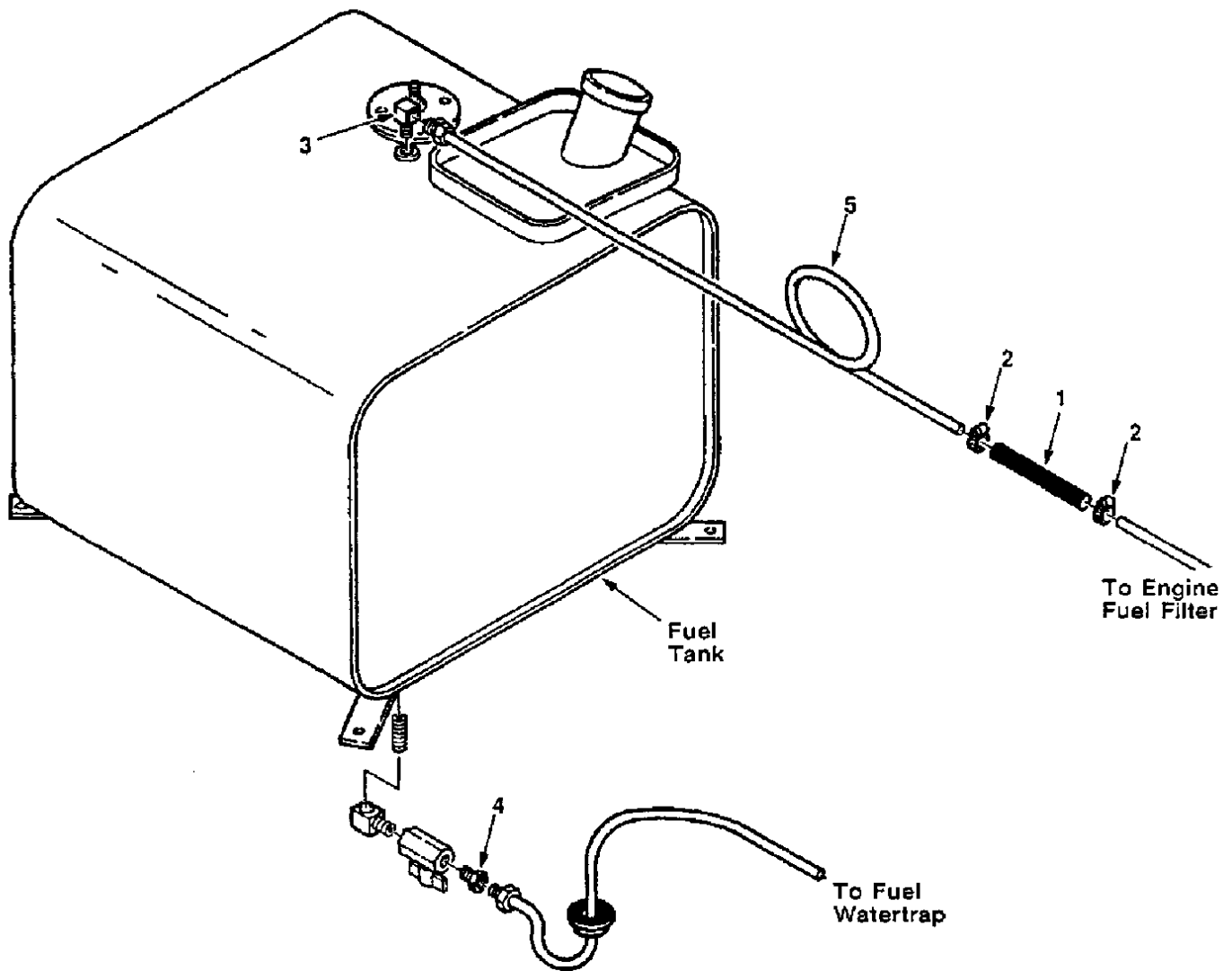
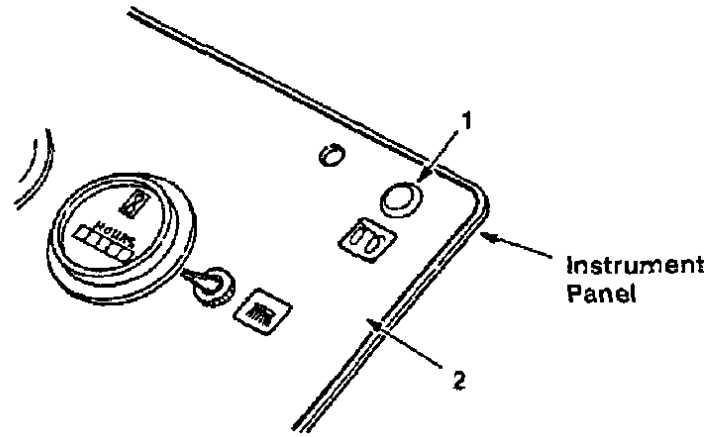


Fig. 8 - Fuel Tank Group, Perkins Diesel

03575

Key	TENNANT® Part No.	Machine Serial Number	Description	Qty.
1	32808	(003430-)	Hose, Fuel Line	1
2	43844	(003430-)	Clamp, Worm Drive	2
3	15555	(003430-)	Fitting, Elbow	1
4	40585	(003430-)	Fitting, Straight	1
5	32823	(003430-)	Tube, Fuel Line	1

NOTE: To identify parts shown but not listed here, see Section 5, Low Dump Model Parts.



03577

Fig. 9 - Instrument Panel Group, Perkins Diesel

Key	TENNANT® Part No.	Machine Serial Number	Description	Qty.
1	34820	(003430-)	Lamp, Indicator	1
2	34143	(003430-004575)	Label, Instrument Panel	1
2	34775	(004576-)	Label, Instrument Panel	1

NOTE: To identify parts shown but not listed here, see Section 5, Low Dump Model Parts.

SECTION 9

CONTENTS

	Page
ORDERING REPAIR PARTS	9-3
Fig. 1 - Counterweight Group, Kubota Diesel	9-4
Fig. 2 - Radiator Shroud Group, Kubota Diesel	9-5
Fig. 3 - Engine Group, Kubota Diesel	9-6
Fig. 4 - Throttle Linkage Group, Kubota Diesel	9-8
Fig. 5 - Air Cleaner Group, Kubota Diesel ..	9-10
Fig. 6 - Muffler Group, Kubota Diesel	9-12
Fig. 7 - Fuel Tank Group, Kubota Diesel ..	9-13
Fig. 8 - Alternator Group, Kubota Diesel ..	9-14
Fig. 9 - Alternator Group, Kubota Diesel SE	9-15
Fig. 10 - Instrument Panel Group, Kubota Diesel	9-16

NOTE: SECTION 9, DIESEL PARTS, KUBOTA lists repair parts unique to a KUBOTA diesel powered machine.



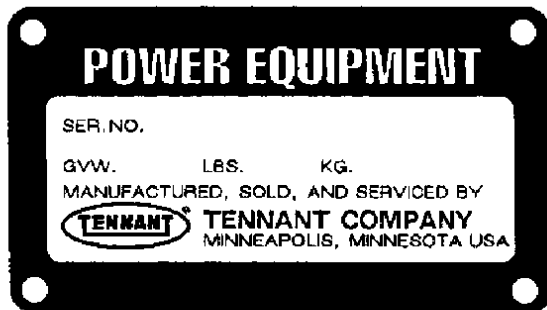
ORDERING REPAIR PARTS

The components used in this machine have been carefully selected for performance and safety. Use only Tennant Company specified or equivalent parts.

To receive prompt service in filling of your parts orders, please direct all orders for parts with Tennant Company part numbers to the Tennant Company, and all orders for parts with vendor part numbers to the local supplier of the respective vendor.

When ordering parts, please furnish all of the following information:

1. Machine model number - shown on the machine data plate.



2. Machine serial number - shown on the machine data plate.
3. Power source - gasoline, LPG, diesel, electric.
4. Company name.
5. Shipping address.
6. Billing address.
7. Name, first and last - of person ordering parts.
8. Telephone number.
9. Purchase order number.
10. Part number, description, and quantity - of each item on the order.
11. Customer ID Number.

Do not order parts by key number or the figure number of the illustrated parts. Indented items indicate parts of assemblies. Standard hardware is furnished only when part of a purchased assembly. Please get hardware from a local hardware supplier.

If the old part cannot be identified, send it to us with the quantity needed specified on the order.

Any claim for loss or damage to a shipment in transit should be filed promptly against the transportation company making the delivery. Shipments will be complete unless the packing list or order acknowledgement indicate items back ordered.

If parts received are suspected to be incorrect or defective, please write, wire, or phone the Tennant Company representative from whom you ordered the part. They will give authorization for return and/or handle replacement shipments when required.

SERIAL NUMBER INFORMATION EXPLANATION

Serial number listings are shown to indicate on which machines each part can be used. These listings are explained by the following examples:

(000000-) The part can be used on all machines.

(003342-) The part can be used on all machines beginning with the serial number listed.

(000000-004320) The part can be used on all machines up to and including serial number listed.

(004321-005678) The part can be used on all machines between and including the serial numbers listed.

Where xxxxx's are listed in place of a serial number, it indicates a change was made but the exact serial number had not been established when the catalog went to press.

SI UNITS OF MEASURE (INTERNATIONAL SYSTEM)

Metric equivalents have been included, where applicable, throughout this parts catalog.

FASTENER STRENGTH IDENTIFICATION

Fasteners required to have high-strength qualities equivalent to SAE Grade 8 are identified throughout this catalog by the description GR 8. Unless identified by this description, all standard fasteners are SAE Grade 5.

(Specifications and design subject to change without notice.)

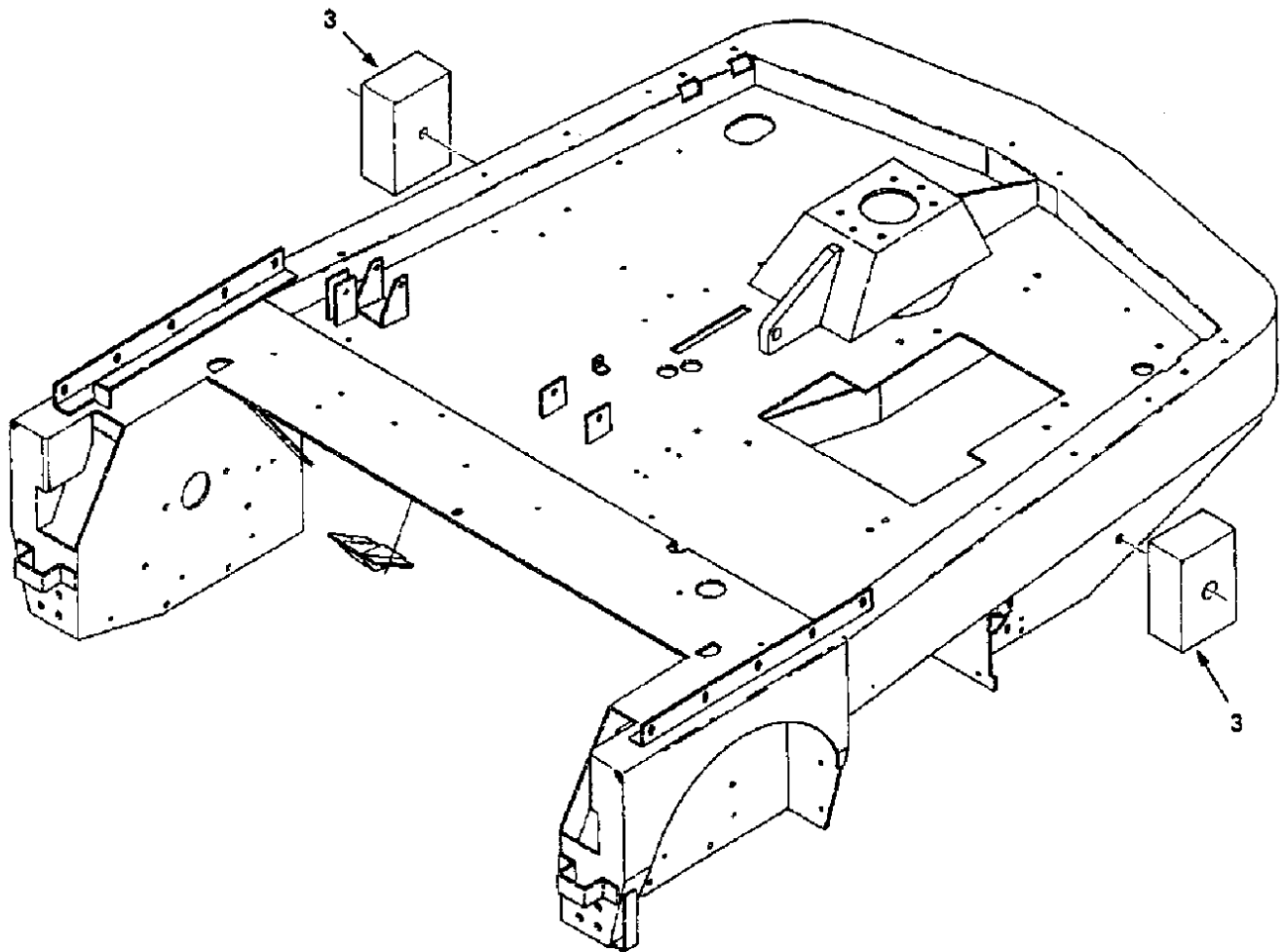


Fig. 1 - Counterweight Group, Kubota Diesel

05530

Key	TENNANT® Part No.	Machine Serial Number	Description	Qty.
1	35053	(000000-)	Counterweight	2

NOTE: To identify parts shown but not listed here, see Section 5, Low Dump Model Parts.

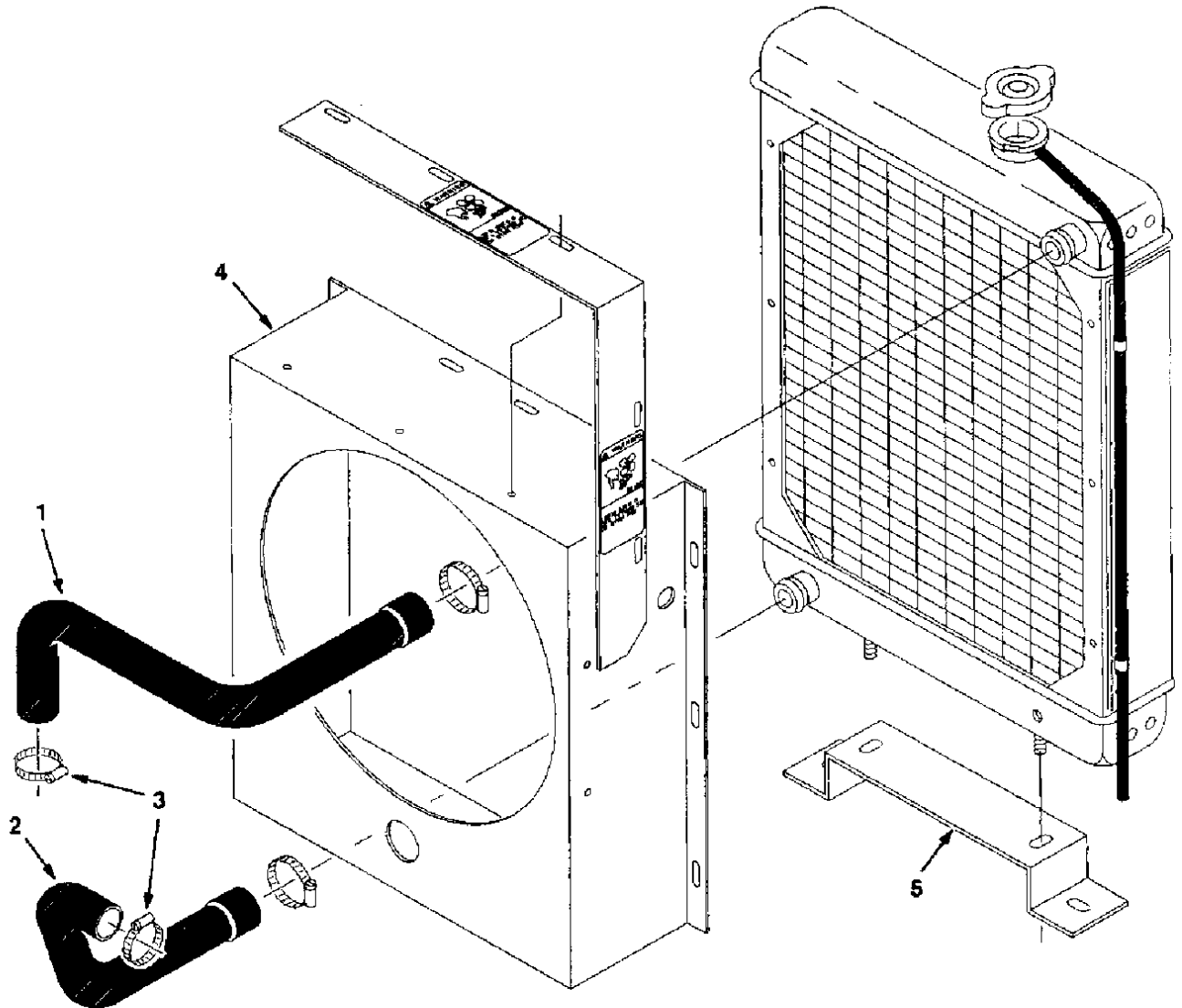


Fig. 2 - Radiator Shroud Group, Kubota Diesel

05531

Key	TENNANT® Part No.	Machine Serial Number	Description	Qty.
1	25082	(000000-)	Hose, Radiator, Upper	1
2	25081	(000000-)	Hose, Radiator, Lower	1
3	11531	(000000-)	Clamp, Wormdrive	2
4	25058	(000000-)	Panel, Shroud, Fan	1
5	07851	(000000-)	Mount, Radiator	1

NOTE: To identify parts shown but not listed here, see Section 5, Low Dump Model Parts.

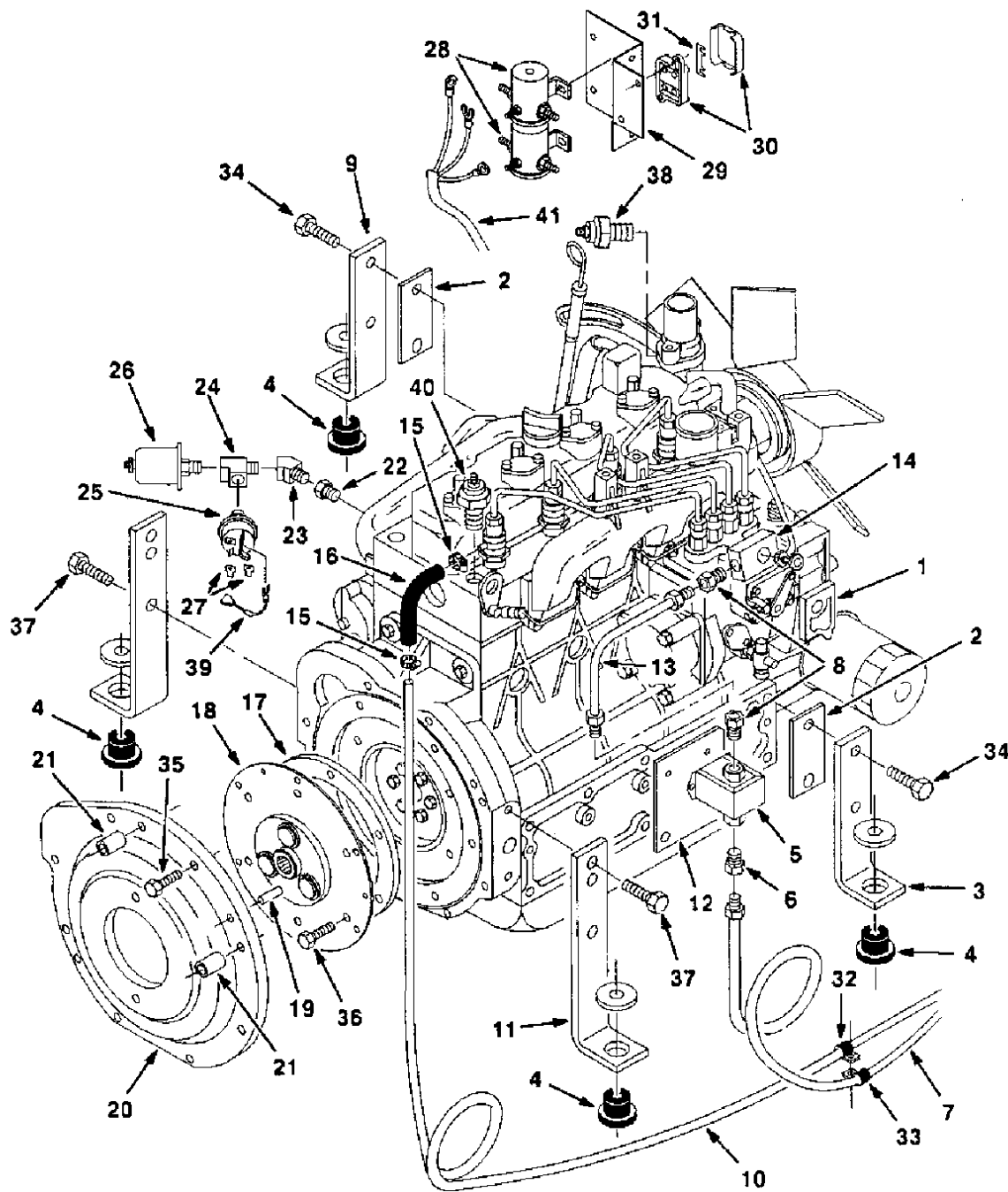


Fig. 3 - Engine Group, Kubota Diesel

Fig. 3 - Engine Group, Kubota Diesel

Key	TENNANT® Part No.	Machine Serial Number	Description	Qty.
1	25070	(000000-)	Engine, (See Engine Parts)	1
2	33828	(000000-)	Spacer, Rear Motor Mtg	2
3	25062	(000000-)	Bracket, Engine Mounting	1
4	51176	(000000-)	Dampner, Engine	4
5	19171	(000000-)	Pump, Fuel Electric	1
6	40585	(000000-)	Fitting, Straight	1
7	33821	(000000-)	Fuelling Assembly	1
8	06869	(000000-)	Fitting, Straight	2
9	25061	(000000-)	Bracket, Engine Mounting	1
10	33822	(000000-)	Fuel Line Assembly, Bleed Line	1
11	25063	(000000-)	Bracket, Engine Mounting	2
12	25069	(000000-)	Plate, Fuel Pump	1
13	06871	(000000-)	Tube Assembly, Fuel Line	1
14	33737	(000000-)	Banjo, Fuel	1
15	43844	(000000-)	Clamp, Worm drive	2
16	50467	(000000-)	Hose	1
17	25522	(000000-)	Ring, Coupling Mounting	1
18	25080	(000000-)	Coupling Assembly, Flywheel	1
19	82579	(000000-)	Pin, Spring	2
20	25066	(000000-)	Housing, Flywheel	1
21	25065	(000000-)	Sleeve	2
22	33613	(000000-)	Fitting, Straight	1
23	24976	(000000-)	Fitting, Elbow 45°	1
24	26426	(000000-)	Fitting, Tee	1
25	51805	(000000-)	Switch, Oil Pressure	1
26	34808	(000000-)	Sender, Oil Pressure	1
27	68106	(000000-)	Terminal Tab	2
28	47356	(000000-)	Solenoid, Starter	2
29	25035	(000000-)	Bracket, Glow Plugs	1
30	34802	(000000-)	Fuse Holder	1
31	34803	(000000-)	Fuse, 80 Amp	1
32	40678	(000000-)	Clamp, Cable	1
33	46236	(000000-)	Clamp, Cable	1
34	82573	(000000-)	Screw, Hex M12	4
35	33612	(000000-)	Screw, Hex M10	7
36	07299	(000000-)	Screw, Hex M10	6
37	33609	(000000-)	Screw, Hex M14	4
38	33875	(000000-)	Send Unit, Temperature	1
39	34860	(000000-)	Rectifier Assembly	1
40	25314	(000000-)	Switch, Temperature	1
41	33784	(000000-)	Harness, Wire, Glow Plugs	1

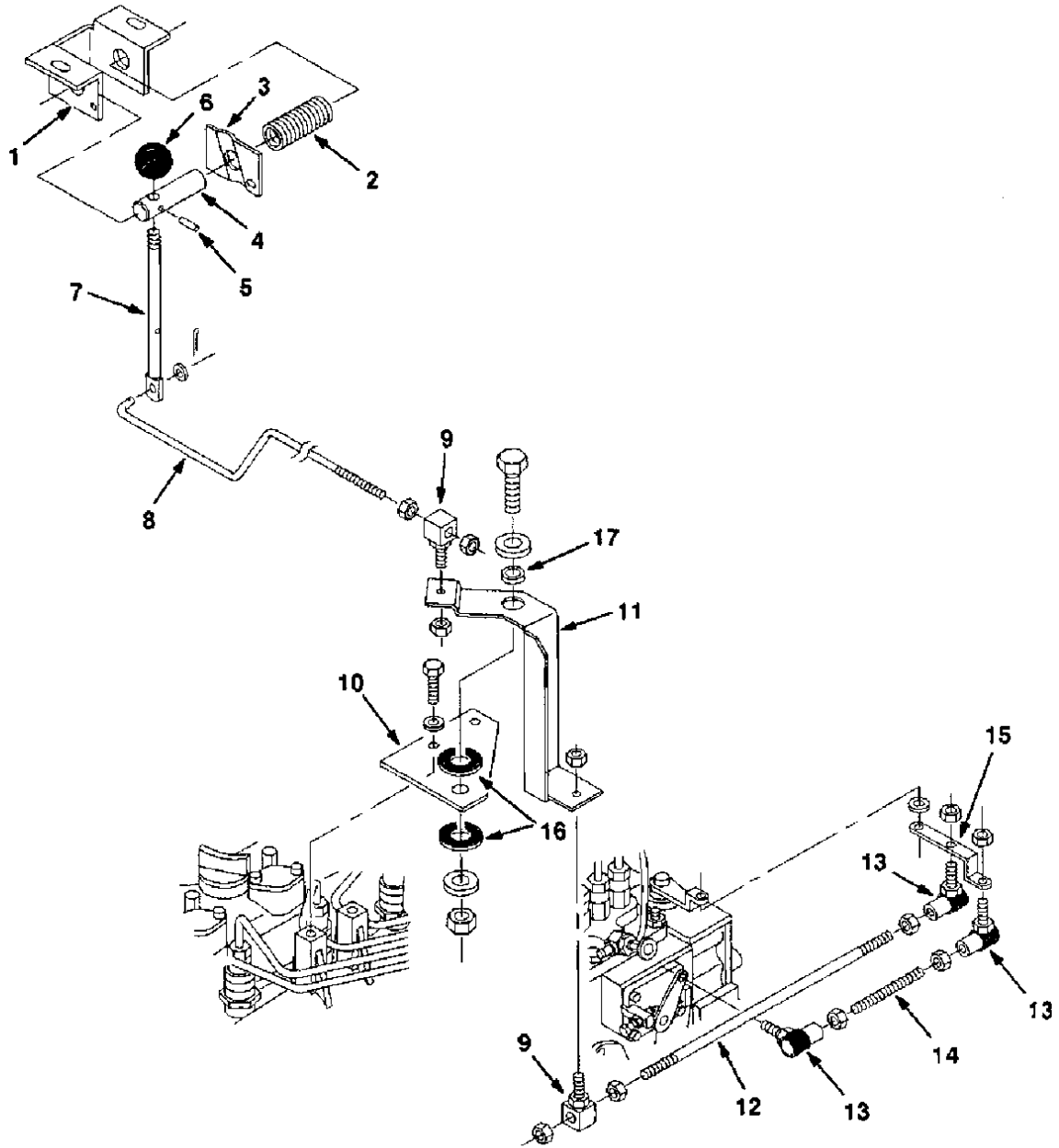


Fig. 4 - Throttle Linkage Group, Kubota Diesel

Fig. 4 - Throttle Linkage Group, Kubota Diesel

Key	TENNANT® Part No.	Machine Serial Number	Description	Qty.
	52049	(000000-)	Throttle Control Assembly	1
1	51689	(000000-)	Bracket, Throttle	1
2	51693	(000000-)	Spring	1
3	51691	(000000-)	Plate, Throttle	1
4	51692	(000000-)	Pin, Throttle Pivot	1
5	20021	(000000-)	Pin, Roll	1
6	26565	(000000-)	Knob	1
7	51690	(000000-)	Lever, Throttle	1
8	25013	(000000-)	Rod, Throttle Bellcrank	1
9	34924	(000000-)	Swivel, Control	2
10	25068	(000000-)	Plate, Pivot Throttle	1
11	25067	(000000-)	Bellcrank, Throttle	1
12	25029	(000000-)	Rod, Injection Pump	1
13	14601	(000000-)	Balljoint	3
14	42196	(000000-)	Rod	1
15	82597	(000000-)	Link, Throttle	1
16	76979	(000000-)	Bearing, Thrust	2
17	34909	(000000-)	Spacer, Throttle	1

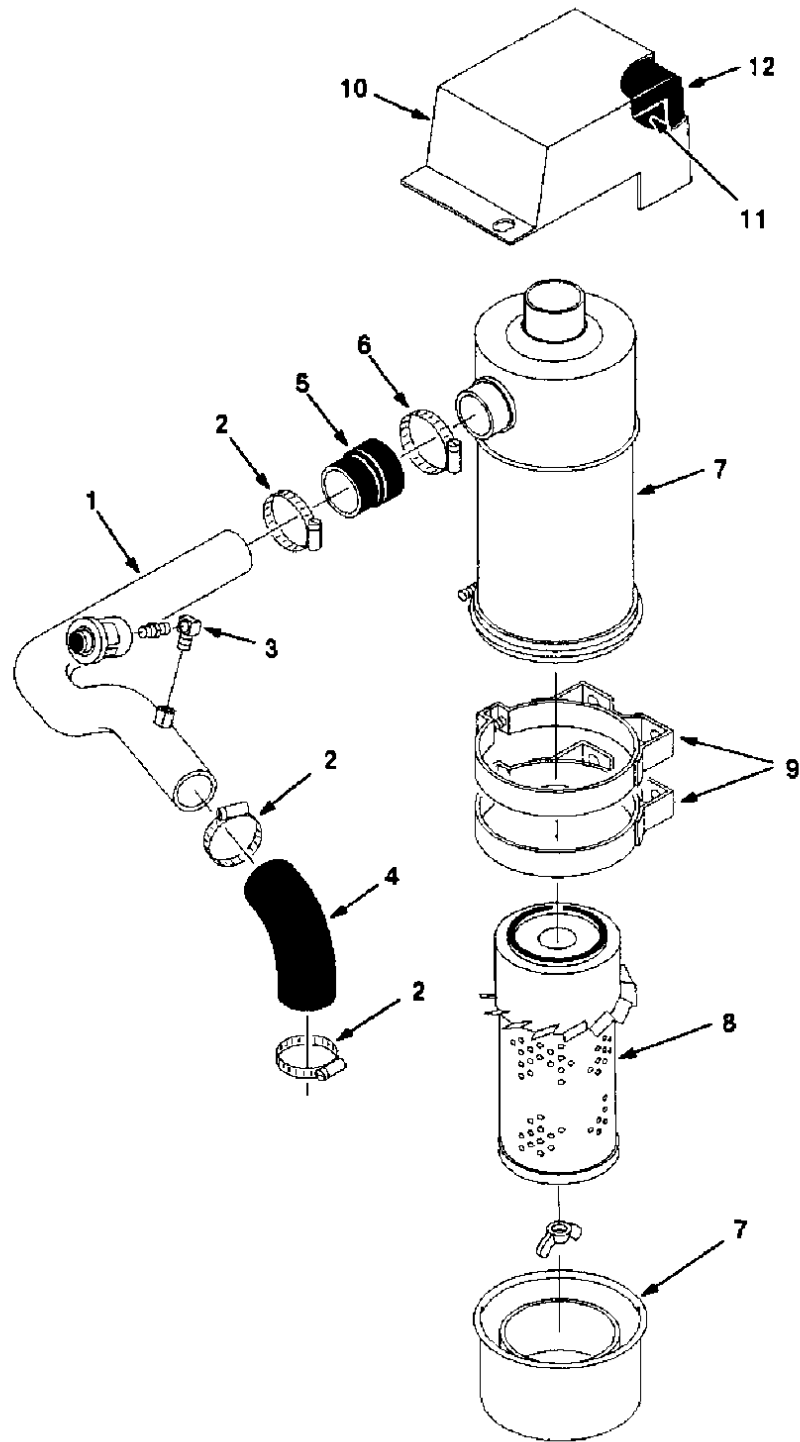


Fig. 5 - Air Cleaner Group, Kubota Diesel

NOTE: To identify parts shown but not listed here, see Section 5, Low Dump Model Parts.

Fig. 5 - Air Cleaner Group, Kubota Diesel

Key	TENNANT® Part No.	Machine Serial Number	Description	Qty.
1	35052	(000000-)	Tube, Air Intake	1
2	22297	(000000-)	Clamp, Worm drive	3
3	11984	(000000-)	Fitting, Elbow	1
4	76825	(000000-)	Elbow, Carburetor	1
5	52992	(000000-)	Adaptor	1
6	14432	(000000-)	Clamp, Worm drive	1
7	76319	(000000-)	Air Cleaner	1
8	76335	(000000-)	Element, Air Cleaner	1
9	34493	(000000-)	Band Mounting	2
10	35056	(000000-)	Cover, Rain	1
11	35055	(000000-)	Insulation, Acoustic	2
12	35054	(000000-)	Insulation, Acoustic	1

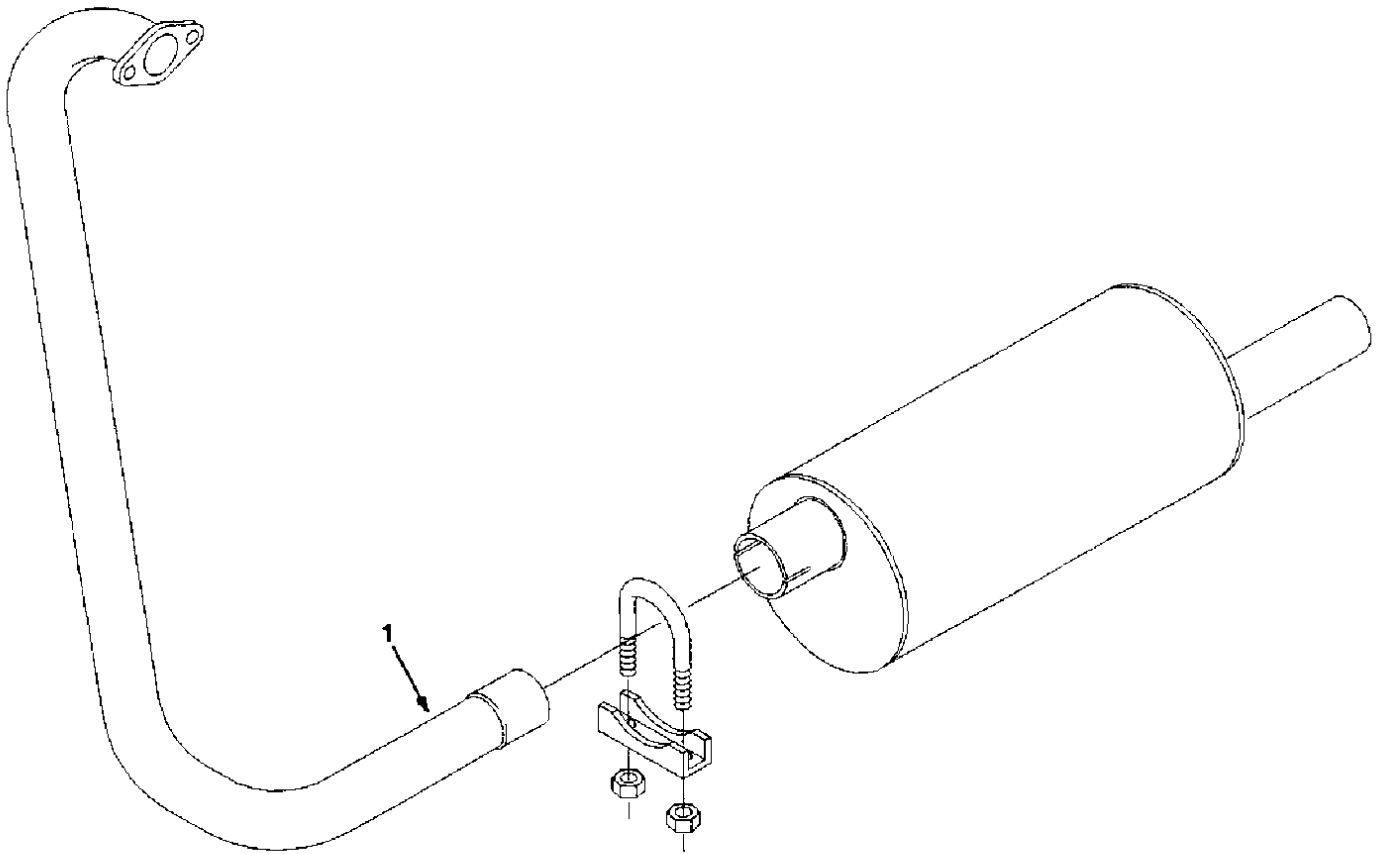


Fig. 6 - Muffler Group, Kubota Diesel

05535

Key	TENNANT® Part No.	Machine Serial Number	Description	Qty.
1	25076	(000000-)	Pipe, Exhaust	1

NOTE: To identify parts shown but not listed here, see Section 5, Low Dump Model Parts.

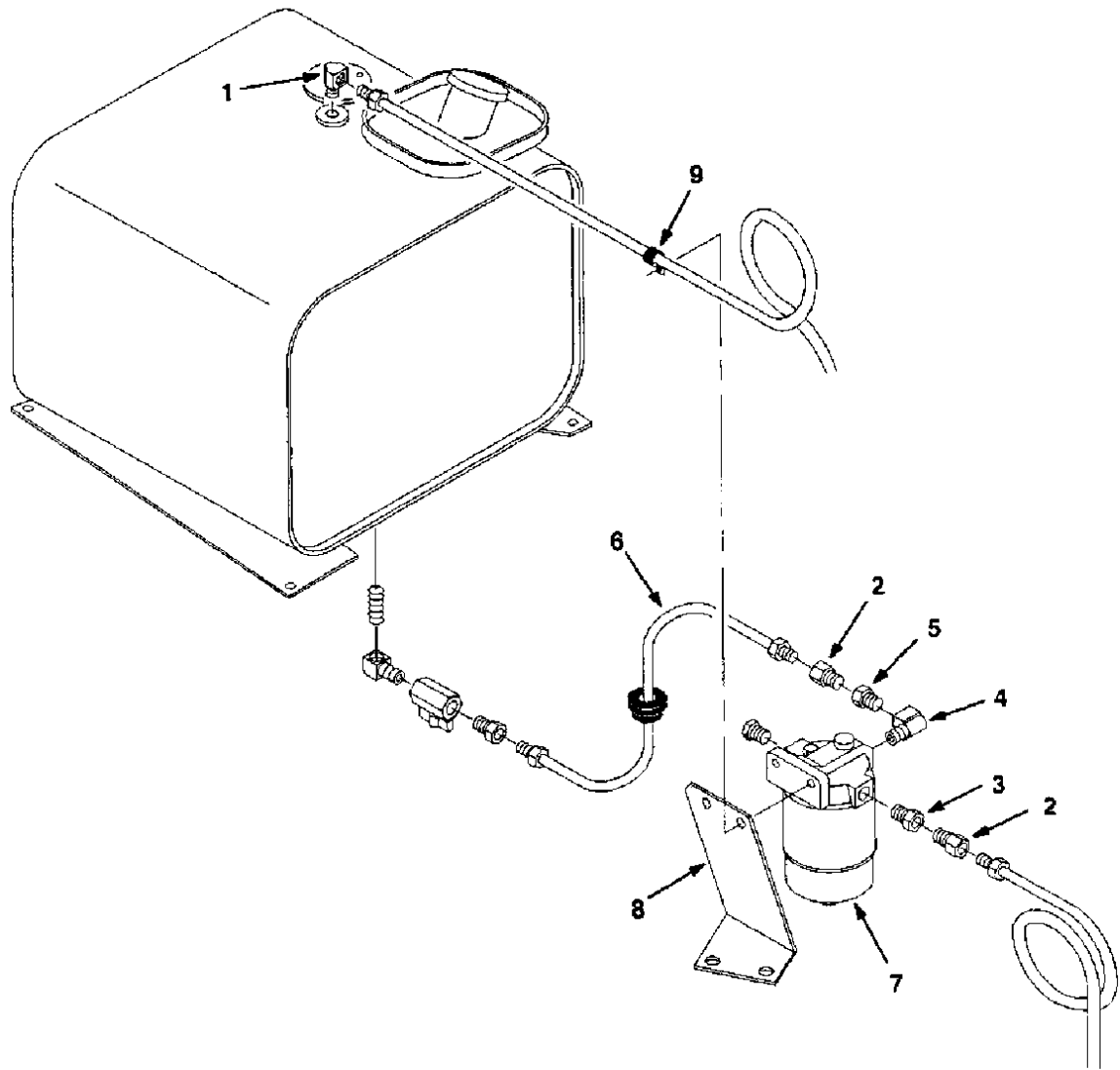


Fig. 7 - Fuel Tank Group, Kubota Diesel

05537

Key	TENNANT® Part No.	Machine Serial Number	Description	Qty.
1	15555	(000000-)	Fitting, Elbow	1
2	40585	(000000-)	Fitting, Straight	2
3	17414	(000000-)	Fitting, Straight	1
4	24584	(000000-)	Fitting, Elbow	1
5	16564	(000000-)	Fitting, Straight	1
6	33820	(000000-)	Fuel Line Assembly	1
7	06868	(000000-)	Filter, Fuel Water Separator	1
8	34958	(000000-)	Bracket, Fuel Filter	1
9	46236	(000000-)	Clamp, Cable	1

NOTE: To identify parts shown but not listed here, see Section 5, Low Dump Model Parts.

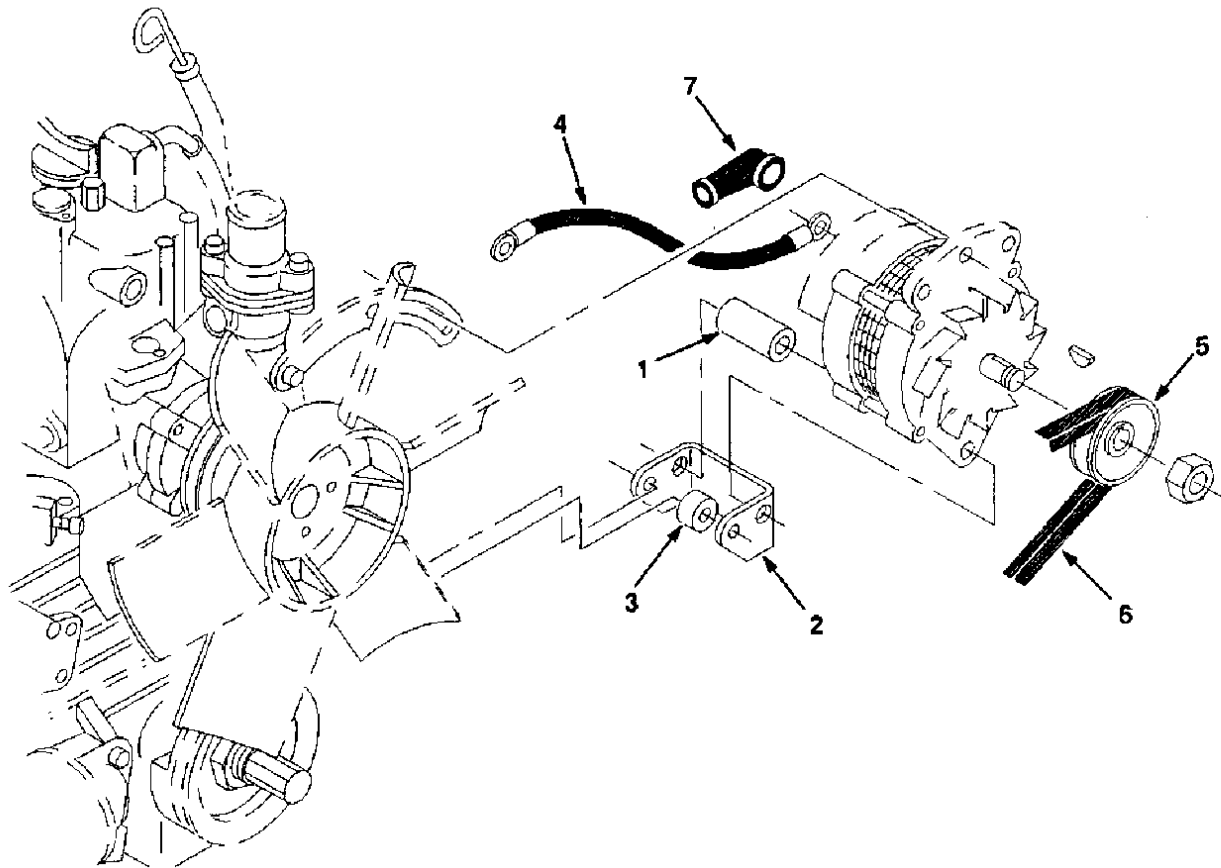


Fig. 8 - Alternator Group, Kubota Diesel

05532

Key	TENNANT® Part No.	Machine Serial Number	Description	Qty.
1	33647	(000000-)	Sleeve	1
2	33641	(000000-)	Bracket, Alternator	1
3	02965	(000000-)	Sleeve	1
4	33787	(000000-)	Ground Wire Assembly	1
5	54914	(000000-)	Sheave	1
6	04022	(000000-)	V-Belt	1
7	34065	(000000-)	Rubber Boot	1

NOTE: To identify parts shown but not listed here, see Section 5, Low Dump Model Parts.

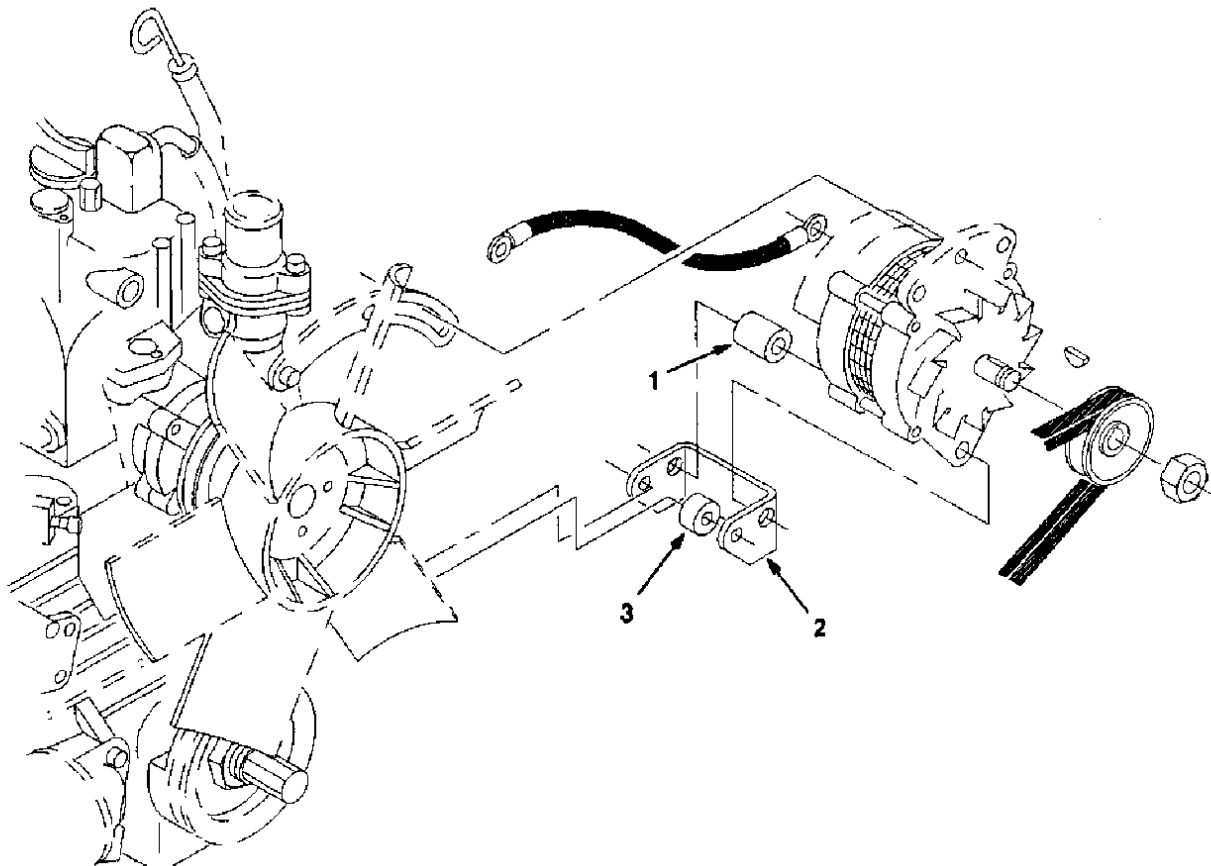
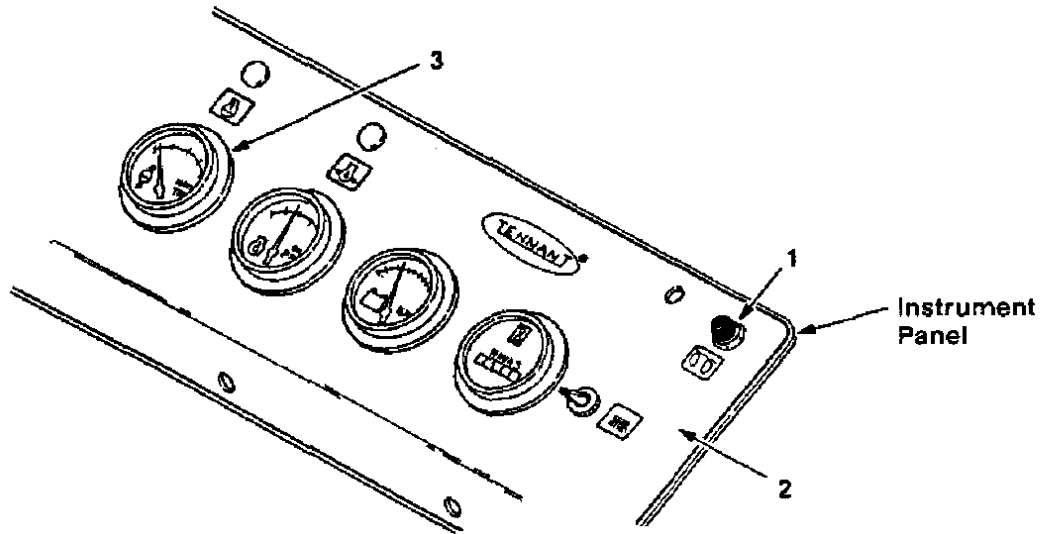


Fig. 9 - Alternator Group, Kubota Diesel SE

05533

Key	TENNANT® Part No.	Machine Serial Number	Description	Qty.
1	33736	(000000-)	Sleeve	1
2	33701	(000000-)	Bracket, Alternator	1
3	02965	(000000-)	Sleeve	1

NOTE: To identify parts shown but not listed here, see Section 12, SE Model Parts.



05547

Fig. 10 - Instrument Panel Group, Kubota Diesel

Key	TENNANT® Part No.	Machine Serial Number	Description	Qty.
1	76147	(000000-)	Lamp, Indicator	1
	76131	(000000-)	Switch, Pushbutton	1
2	34775	(000000-)	Label, Instrument	1
3	58591	(000000-)	Gauge, Water Temperature	1

NOTE: To identify parts shown but not listed here, see Section 5, Low Dump Model Parts.

CONTENTS

	Page
ORDERING REPAIR PARTS	10-3
Fig. 1 - Main Frame Group, Multi-Level Dump	10-4
Fig. 2 - Stabilizer Leg Assembly, Multi-Level Dump	10-5
Fig. 3 - Hopper Lift Arms Group, Multi-Level Dump	10-6
Fig. 4 - Lintel Group, Multi-Level Dump ...	10-7
Fig. 5 - Hopper Group, Multi-Level Dump .	10-8
Fig. 6 - Hopper Hinged and Dump Doors Group, Multi-Level Dump	10-10
Fig. 7 - Bumper Group, Multi-Level Dump .	10-12
Fig. 8 - Speed Limiter Assembly, Multi-Level Dump	10-13
Fig. 9 - Instrument Panel Group, Multi-Level Dump	10-14
Fig. 10 - Rear Wheel Assembly, Multi-Level Dump	10-14
Fig. 11 - Hydraulic System, Multi-Level Dump	10-15
Fig. 12 - Lift and Dump Cylinders Group, Multi-Level Dump	10-16
Fig. 13 - Main Control Valve Group, Multi-Level Dump	10-17
Fig. 14 - Hydraulic Reservoir Group, Multi-Level Dump	10-18

NOTE: SECTION 10, MULTI-LEVEL DUMP MODEL PARTS, lists repair parts unique to a multi-level dump model machine.

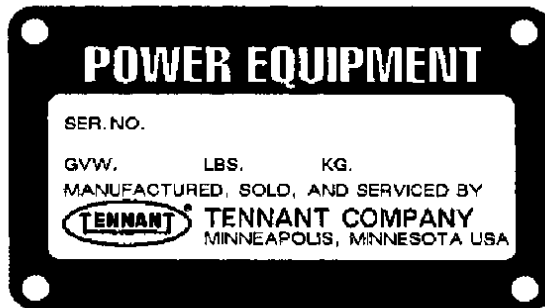
ORDERING REPAIR PARTS

The components used in this machine have been carefully selected for performance and safety. Use only Tennant Company specified or equivalent parts.

To receive prompt service in filling of your parts orders, please direct all orders for parts with Tennant Company part numbers to the Tennant Company, and all orders for parts with vendor part numbers to the local supplier of the respective vendor.

When ordering parts, please furnish all of the following information:

1. Machine model number - shown on the machine data plate.



2. Machine serial number - shown on the machine data plate.
3. Power source - gasoline, LPG, diesel, electric.
4. Company name.
5. Shipping address.
6. Billing address.
7. Name, first and last - of person ordering parts.
8. Telephone number.
9. Purchase order number.
10. Part number, description, and quantity - of each item on the order.
11. Customer ID Number.

Do not order parts by key number or the figure number of the illustrated parts. Indented items indicate parts of assemblies. Standard hardware is furnished only when part of a purchased assembly. Please get hardware from a local hardware supplier.

If the old part cannot be identified, send it to us with the quantity needed specified on the order.

Any claim for loss or damage to a shipment in transit should be filed promptly against the transportation company making the delivery. Shipments will be complete unless the packing list or order acknowledgement indicate items back ordered.

If parts received are suspected to be incorrect or defective, please write, wire, or phone the Tennant Company representative from whom you ordered the part. They will give authorization for return and/or handle replacement shipments when required.

SERIAL NUMBER INFORMATION EXPLANATION

Serial number listings are shown to indicate on which machines each part can be used. These listings are explained by the following examples:

- (000000-) The part can be used on all machines.
- (003342-) The part can be used on all machines beginning with the serial number listed.
- (000000-004320) The part can be used on all machines up to and including serial number listed.
- (004321-005678) The part can be used on all machines between and including the serial numbers listed.

Where xxxxx's are listed in place of a serial number, it indicates a change was made but the exact serial number had not been established when the catalog went to press.

SI UNITS OF MEASURE (INTERNATIONAL SYSTEM)

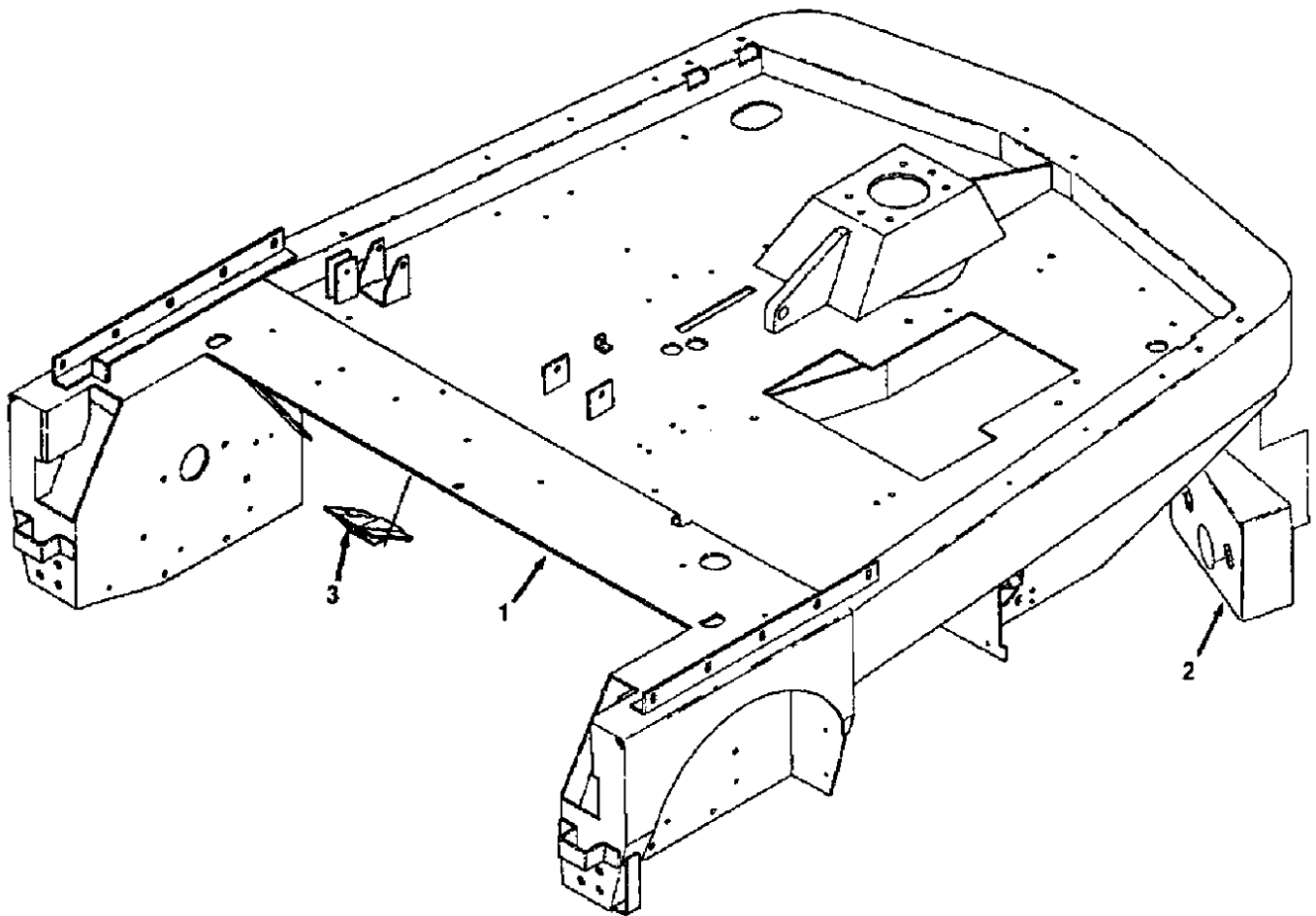
Metric equivalents have been included, where applicable, throughout this parts catalog.

FASTENER STRENGTH IDENTIFICATION

Fasteners required to have high-strength qualities equivalent to SAE Grade 8 are identified throughout this catalog by the description GR 8. Unless identified by this description, all standard fasteners are SAE Grade 5.

(Specifications and design subject to change without notice.)

MULTI-LEVEL DUMP MODEL PARTS



01568

Fig. 1 - Main Frame Group, Multi-Level Dump

Key	TENNANT® Part No.	Machine Serial Number	Description	Qty.
1	34151	(000000-)	Frame, Main	1
2	52115	(000000-)	Counterweight	2
3	34064	(000000-)	Ramp, Cam	1

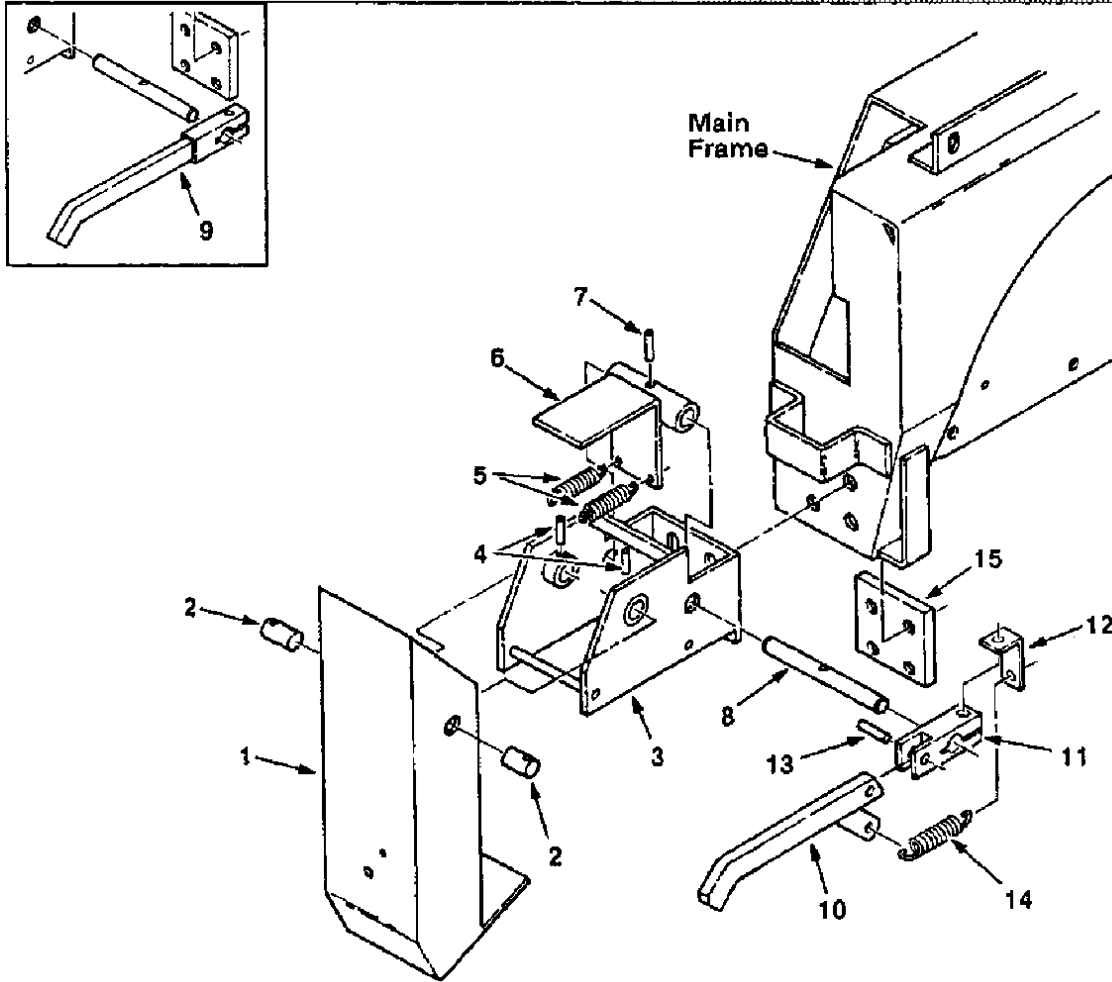


Fig. 2 - Stabilizer Leg Assembly, Multi-Level Dump

01534

Key	TENNANT® Part No.	Machine Serial Number	Description	Qty.
	52564	(000000-)	Stabilizer Leg Assembly	1
1	52565	(000000-)	Leg, Safety	1
2	52568	(000000-)	Pin, Pivot	2
3	52570	(000000-)	Bracket, Leg Mounting	1
4	26239	(000000-)	Pin, Roll	2
5	13352	(000000-)	Spring	2
6	52575	(000000-)	Bracket, Stop	1
7	23999-3	(000000-)	Pin, Roll	1
8	52577	(000000-)	Shaft	1
9	52576	(000000-003877)	Lever, Stop (replaced by 09000)	1
	09000	(003878-)	Stop Lever Assembly	1
10	09933	(003878-)	Lever, Stop	1
11	08996	(003878-)	Block, Pivot	1
12	09934	(003878-)	Bracket, L	1
13	08961	(003878-)	Pin	1
14	54222	(003878-)	Spring	1
15	52571	(000000-)	Strip, Leg Mounting	1

NOTE: To identify parts shown but not listed here, see Section 5, Low Dump Model Parts.

MULTI-LEVEL DUMP MODEL PARTS

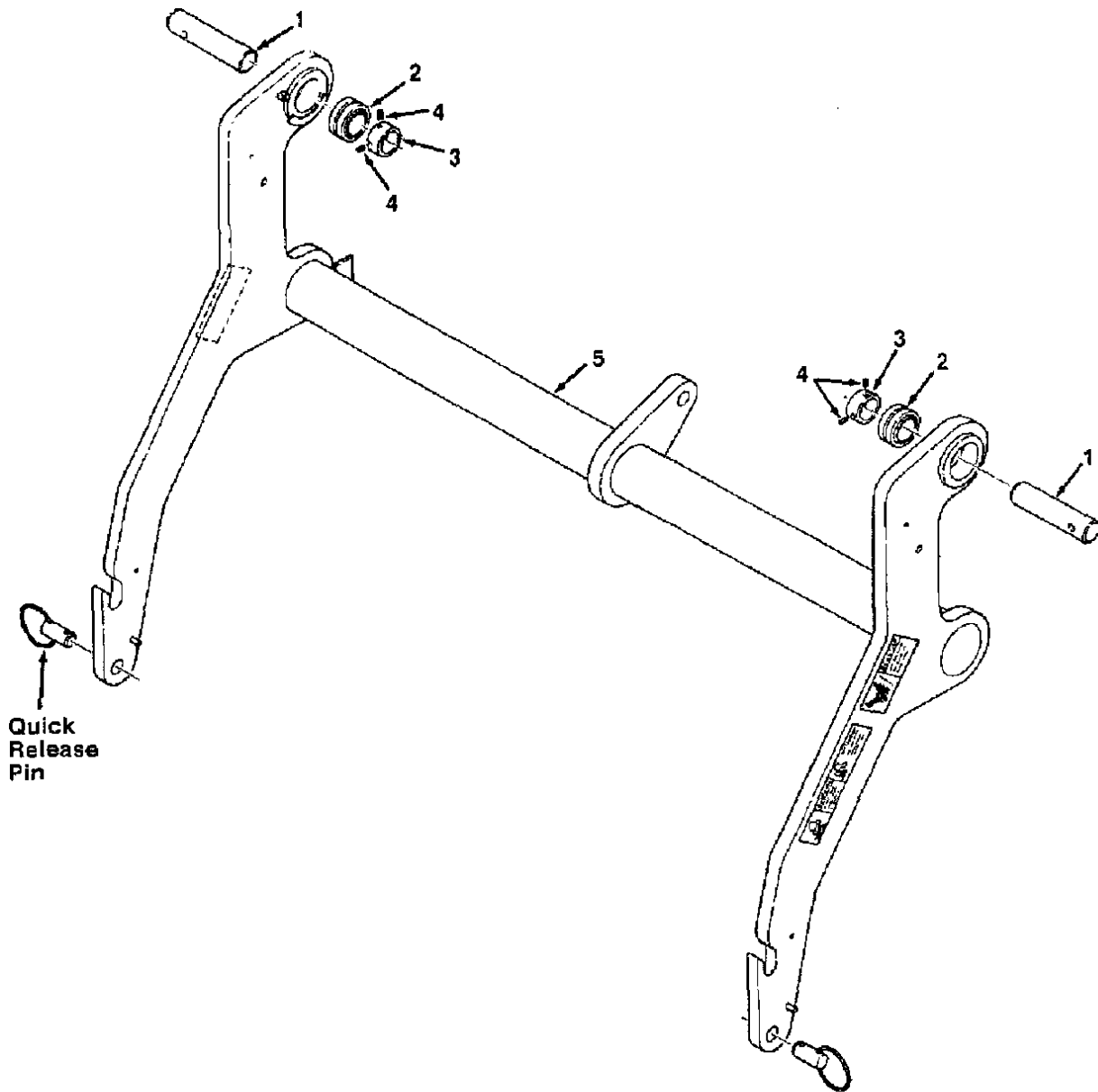


Fig. 3 - Hopper Lift Arms Group, Multi-Level Dump

01555

Key	TENNANT® Part No.	Machine Serial Number	Description	Qty.
1	52062	(000000-)	Pin, Pivot	2
2	42120-9	(000000-)	Bearing	2
3	32816	(000000-)	Collar, Locking	2
4	50011	(000000-)	Screw, Set	4
5	34115	(000000-)	Hopper Lift Arm and Label Assembly	1

NOTE: To identify parts shown but not listed here, see Section 5, Low Dump Model Parts.

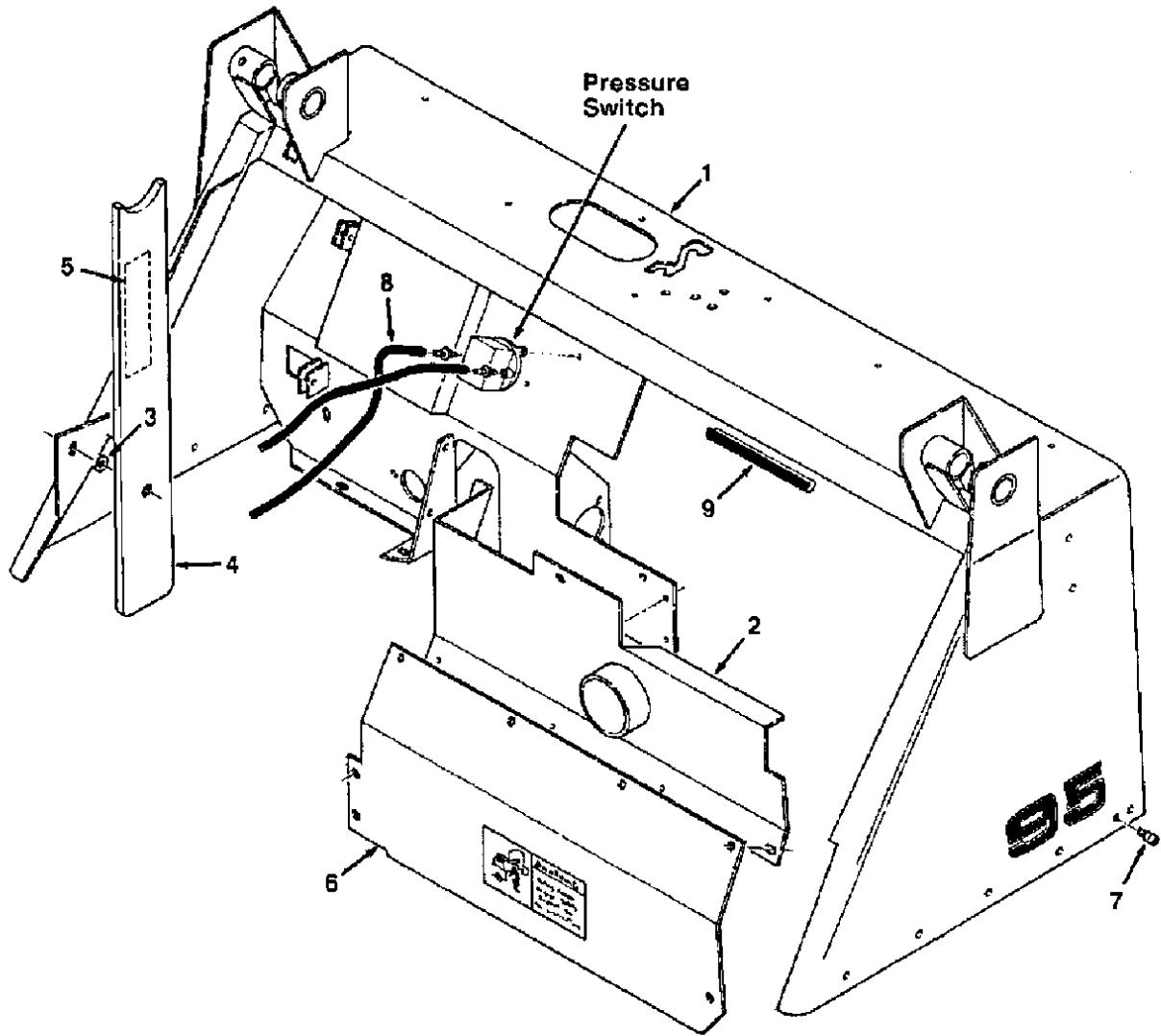


Fig. 4 - Lintel Group, Multi-Level Dump

01600

Key	TENNANT® Part No.	Machine Serial Number	Description	Qty.
1	34201	(000000--)	Lintel	1
2	36203	(000000--)	Panel, Access	1
3	24227	(000000--)	Washer, Dished	1
4	34272	(000000--)	Safety Arm and Label Assembly	1
5	34121	(000000--)	Warning Label, Falling Hopper	1
6	34112	(000000--)	Lower Shroud Plate and Label Assembly	1
7	36758	(000000--)	Screw, Shoulder	2
8	39780	(000000--)	Hose	1
9	62595	(000000--)	Molding, Rigid	1

NOTE: To identify parts shown but not listed here, see Section 5, Low Dump Model Parts.

MULTI-LEVEL DUMP MODEL PARTS

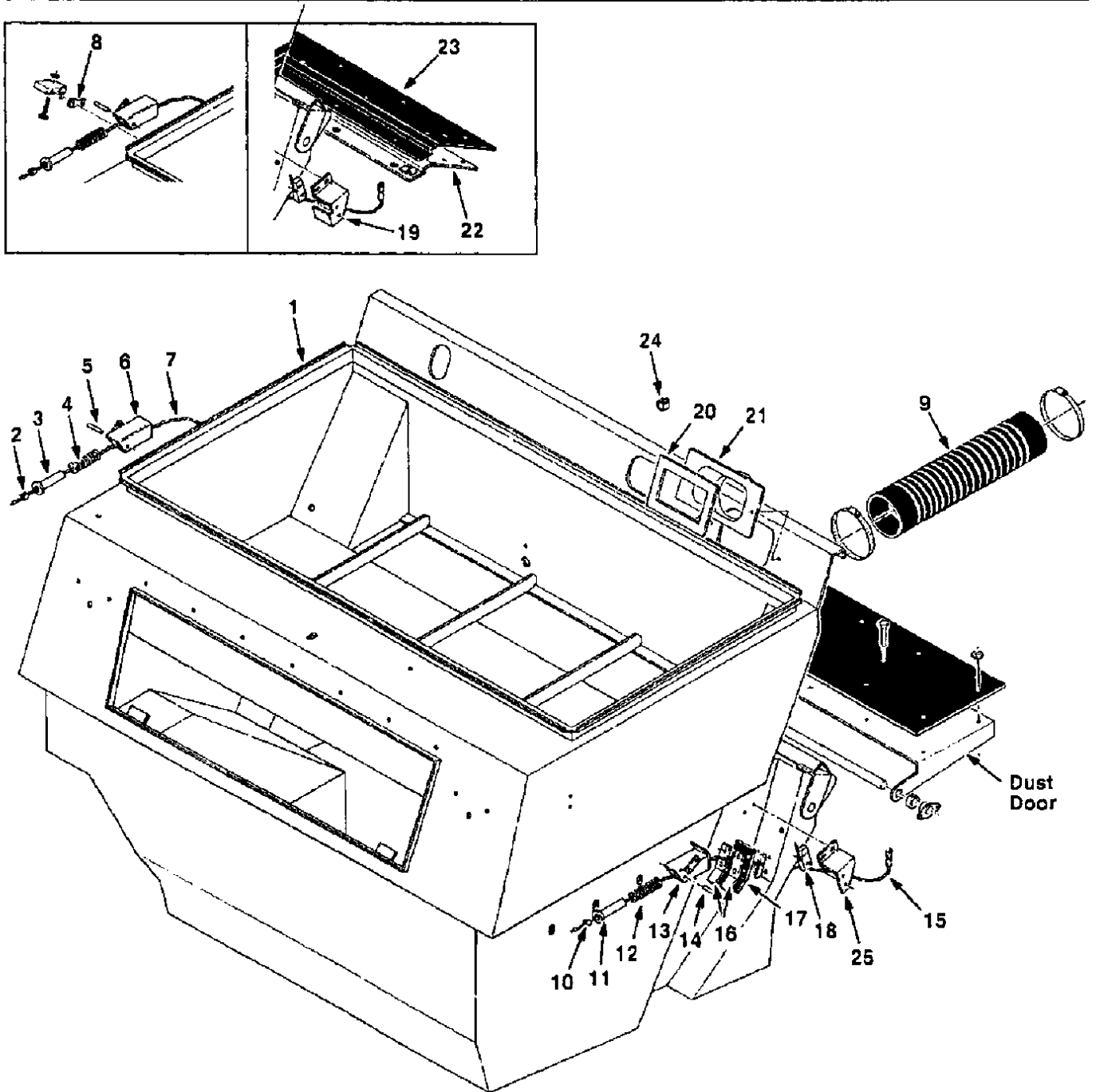


Fig. 5 - Hopper Group, Multi-Level Dump

NOTE: To identify parts shown but not listed here, see Section 5, Low Dump Model Parts.

Fig. 5 - Hopper Group, Multi-Level Dump

Key	TENNANT® Part No.	Machine Serial Number	Description	Qty.
1	34649	(000000-)	Hopper	1
	34593	(000000-)	Upper Door Cable Assembly, R.H.	1
2	34678	(000000-)	Sleeve, Cable	1
3	34683	(000000-)	Retainer, Spring	1
4	39577	(000000-)	Spring	1
5	23146	(000000-)	Pin, Roll	1
6	39583	(000000-)	Tube, Spring R.H.	1
7	34677	(000000-)	Cable Assembly	1
8	34085	(000000-002071)	Shim, Mounting Block	1
9	34076	(000000-)	Hose	1
	34594	(000000-)	Upper Door Cable Assembly, L.H.	1
10	34678	(000000-)	Sleeve, Cable	1
11	34683	(000000-)	Retainer, Spring	1
12	39577	(000000-)	Spring	1
13	07878	(000000-)	Tube, Spring L.H.	1
14	23146	(000000-)	Pin, Roll	1
15	34677	(000000-)	Cable Assembly	1
16	34681	(000000-)	Retainer, Seal	4
17	34682	(000000-)	Seal	2
18	34639	(000000-)	Switch	1
19	07880	(000000-004051)	Switch Kit, Hopper Door	1
20	34659	(000000-)	Gasket, Hopper Cover	1
21	34657	(000000-)	Transition, Hopper	1
22	36888	(000000-002071)	Door, Dust Control	1
23	36889	(000000-002071)	Seal, Dust	1
24	06777	(000000-)	Clamp, Cable	2
25	07877	(004052-)	Bracket, Switch	1

MULTI-LEVEL DUMP MODEL PARTS

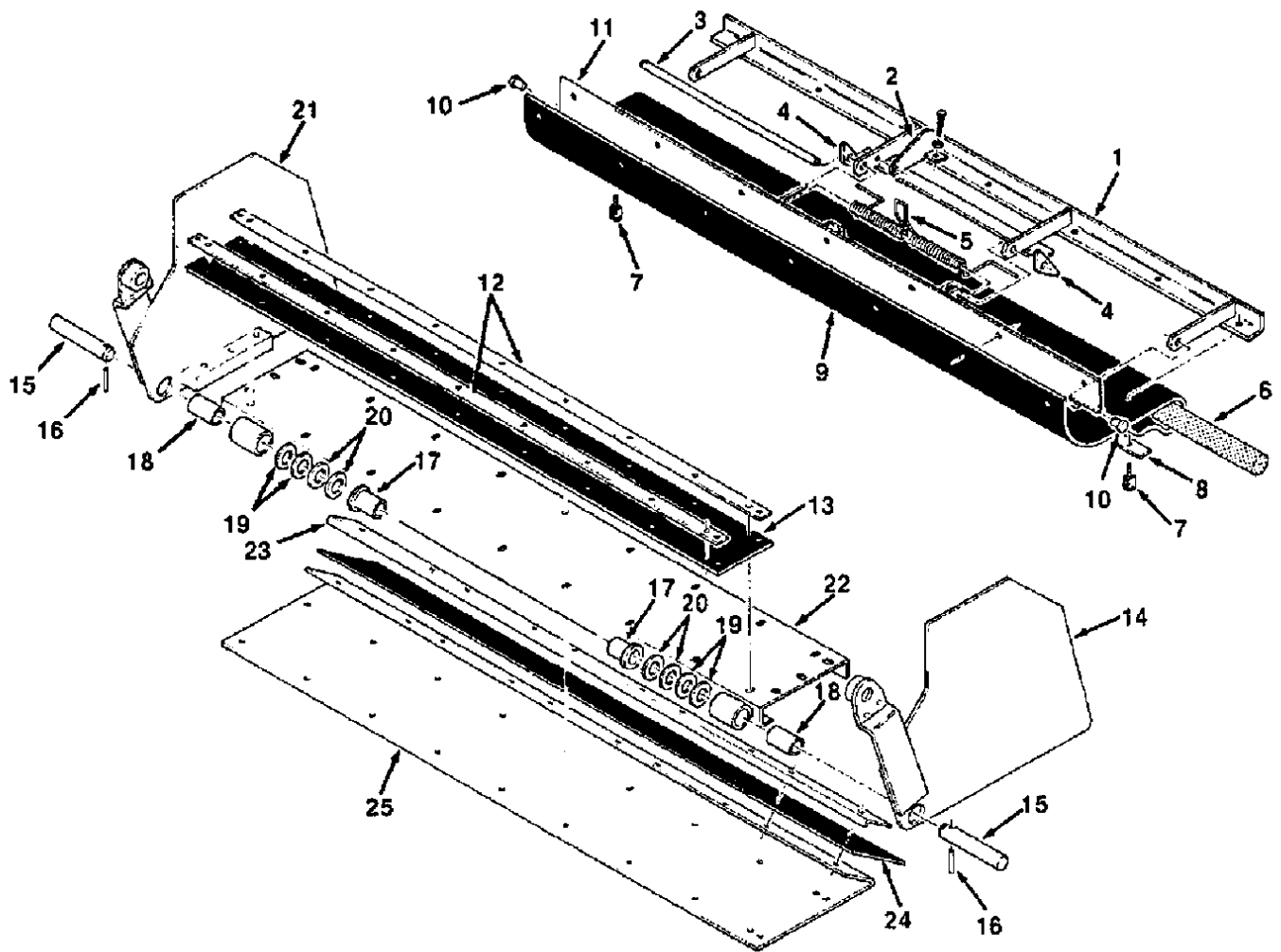


Fig. 6 - Hopper Hinged and Dump Doors Group, Multi-Level Dump

Fig. 6 - Hopper Hinged and Dump Doors Group, Multi-Level Dump

Key	TENNANT® Part No.	Machine Serial Number	Description	Qty.
1	39629	(000000-)	Hinge, Door	1
2	34744	(000000-)	Cam, Door	1
3	39597	(000000-)	Rod	1
4	39574	(000000-)	Stop, Door	2
5	39573A	(000000-)	Spring	1
6	34690	(000000-)	Cord, Sponge	1
7	39598	(000000-)	Clevis, Cable	2
8	39587	(000000-)	Strip	1
9	34689	(000000-)	Seal	1
10	51529	(000000-)	Pin, Clevis	2
11	39590	(000000-)	Hinge, Upper	1
12	34686	(000000-)	Strip	2
13	34685	(000000-)	Seal	1
14	34672	(000000-)	Side, Door, L.H.	1
15	34670	(000000-)	Pin, Pivot	2
16	75302	(000000-)	Pin, Roll	2
17	34679	(000000-)	Bearing, Flanged	2
18	67029	(000000-)	Sleeve	2
19	32599	(000000-)	Washer, 0.03" (1 mm)	4
20	32598	(000000-)	Washer, 0.13" (3 mm)	4
21	34673	(000000-)	Side, Door, R.H.	1
22	34674	(000000-)	Bottom, Door	1
23	09928	(000000-)	Strip	1
24	16784	(000000-)	Skirt, Door	1
25	34687	(000000-)	Plate, Wear	1

MULTI-LEVEL DUMP MODEL PARTS

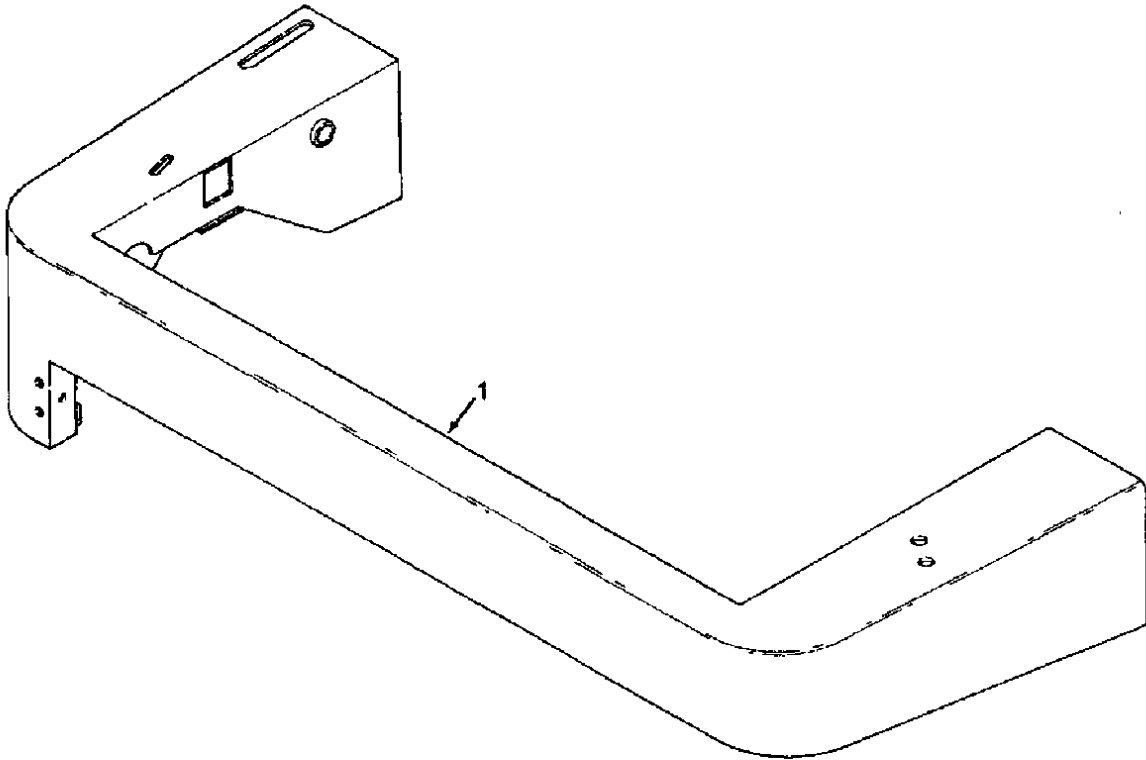


Fig. 7 - Bumper Group, Multi-Level Dump

01540

Key	TENNANT® Part No.	Machine Serial Number	Description	Qty.
1	34518	(000000-002641)	Bumper	1
1	16771	(002642-)	Bumper	1

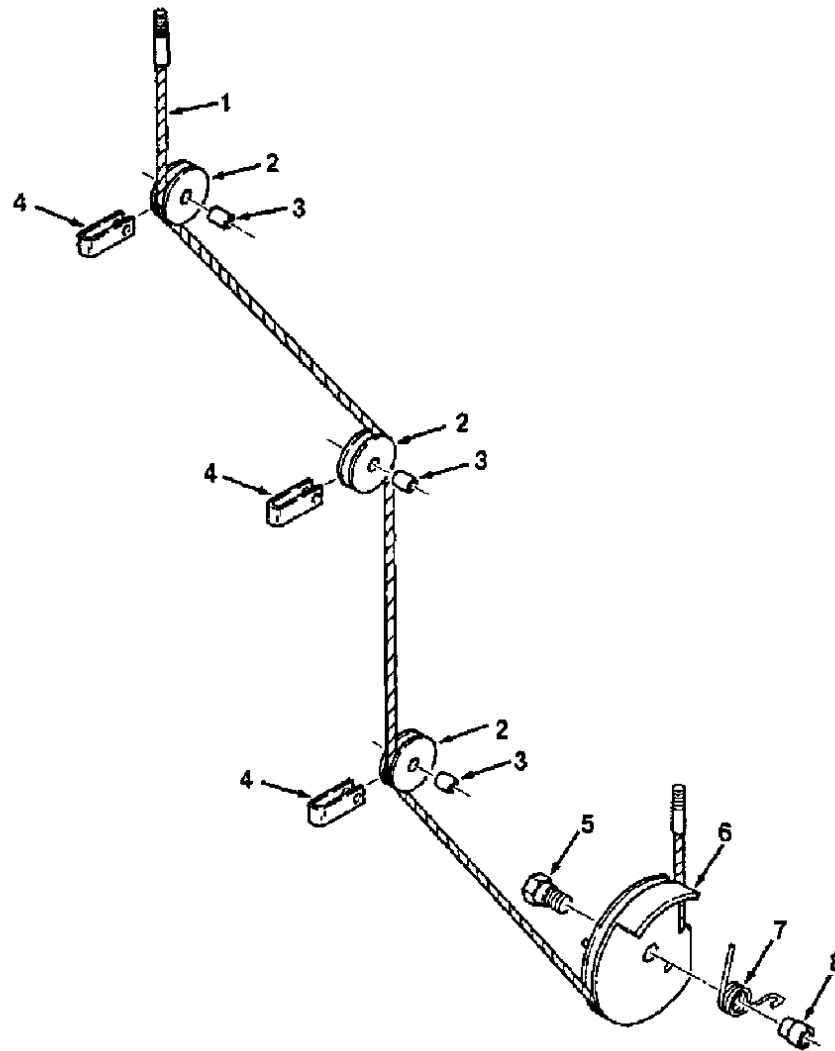


Fig. 8 - Speed Limiter Assembly, Multi-Level Dump

01515

Key	TENNANT® Part No.	Machine Serial Number	Description	Qty.
	62683	(000000-)	Speed Limiter Assembly	1
1	62792	(000000-)	Cable Assembly	1
2	46328	(000000-)	Roller, Cable	3
3	01275	(000000-)	Sleeve	3
4	46327	(000000-)	Guide, Cable	3
5	29087	(000000-)	Screw, Shoulder	1
6	62664	(000000-)	Cam, Speed Limiter	1
7	20029	(000000-)	Spring	1
8	62667	(000000-)	Bushing	1

MULTI-LEVEL DUMP MODEL PARTS

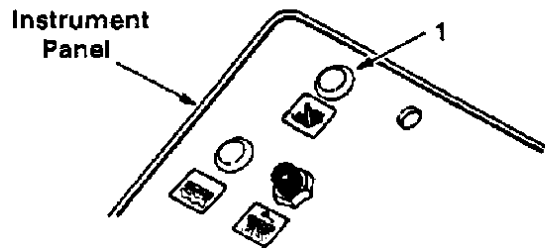


Fig. 9 - Instrument Panel Group, Multi-Level Dump

01518

Key	TENNANT® Part No.	Machine Serial Number	Description	Qty.
1	34820	(000000-)	Lamp, Indicator	1

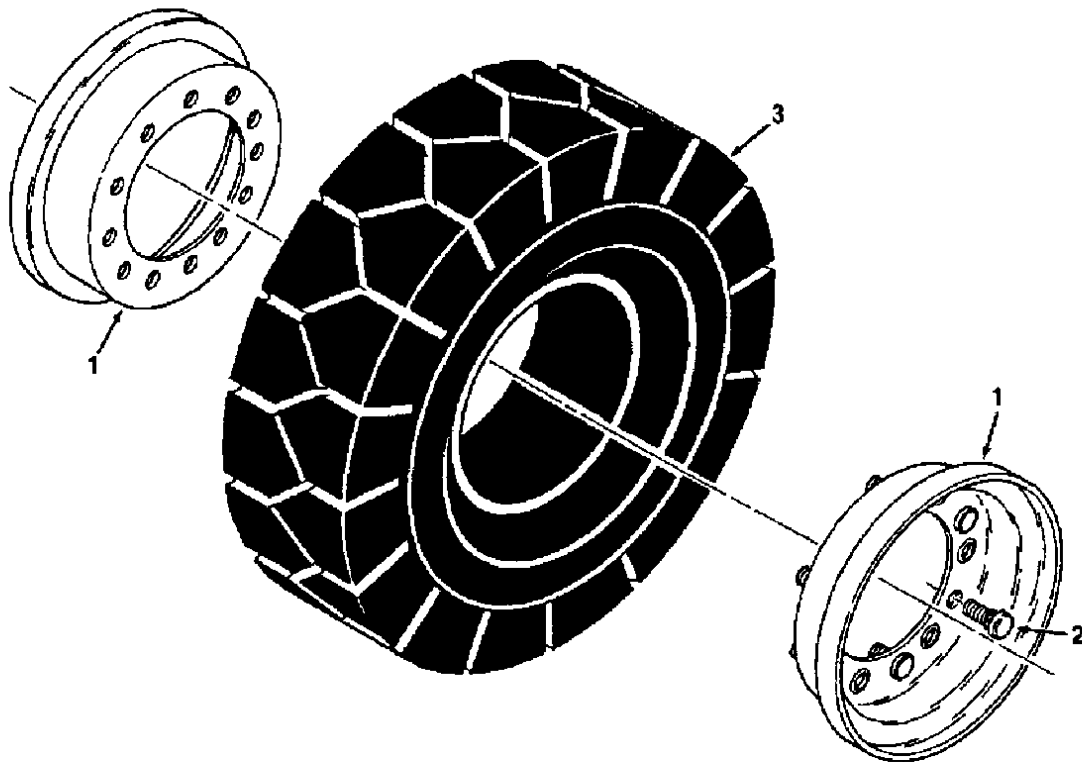


Fig. 10 - Rear Wheel Assembly, Multi-Level Dump

01531

Key	TENNANT® Part No.	Machine Serial Number	Description	Qty.
	51705	(000000-)	Tire and Wheel Assembly	1
1	52775	(000000-)	Rim Assembly	1
2	51355	(000000-)	Stud, Wheel	6
3	51711	(000000-)	Tire	1

NOTE: To identify parts shown but not listed here, see Section 5, Low Dump Model Parts.

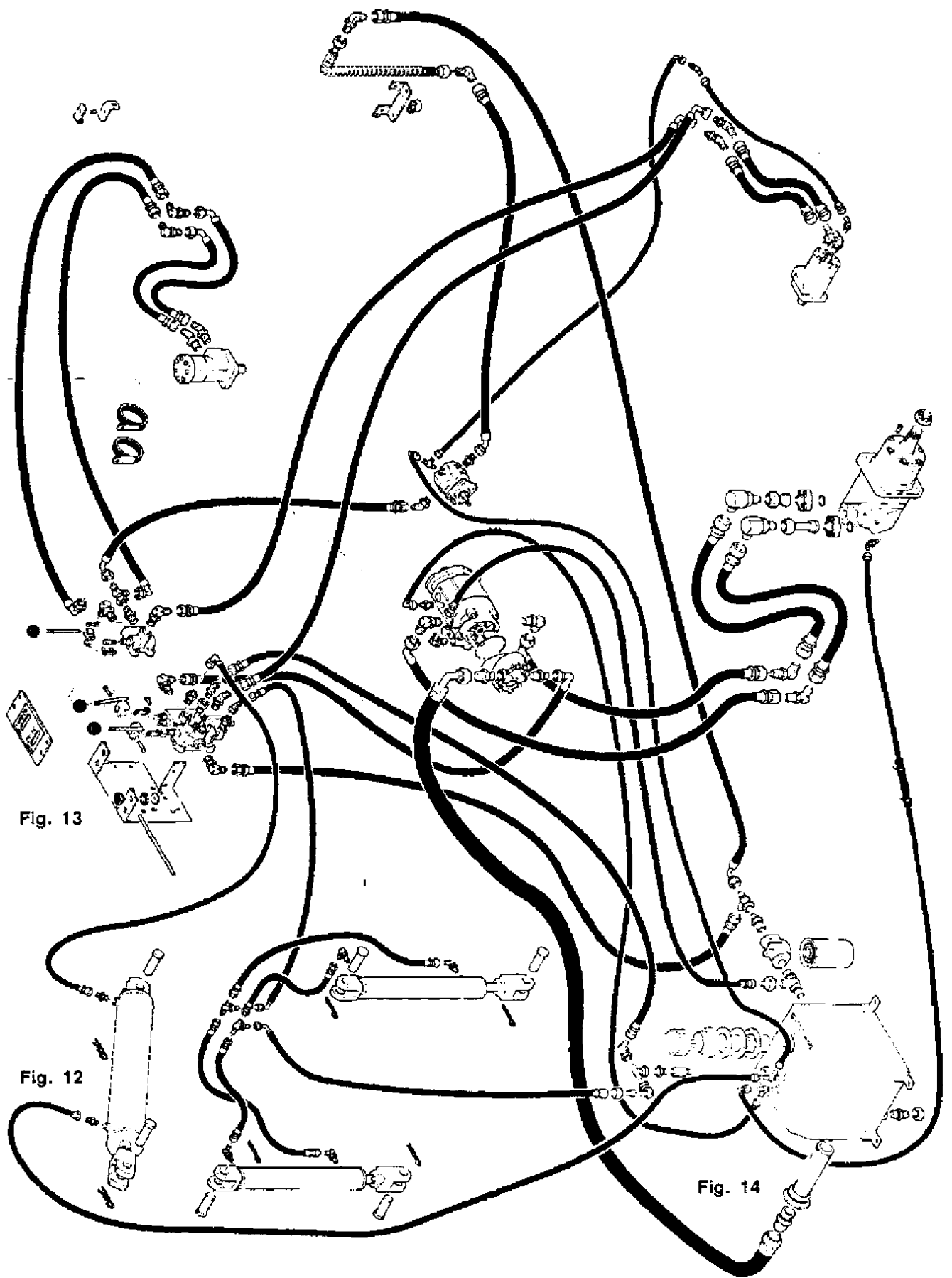


Fig. 13

Fig. 12

Fig. 14

Fig. 11 - Hydraulic System, Multi-Level Dump

01651

MULTI-LEVEL DUMP MODEL PARTS

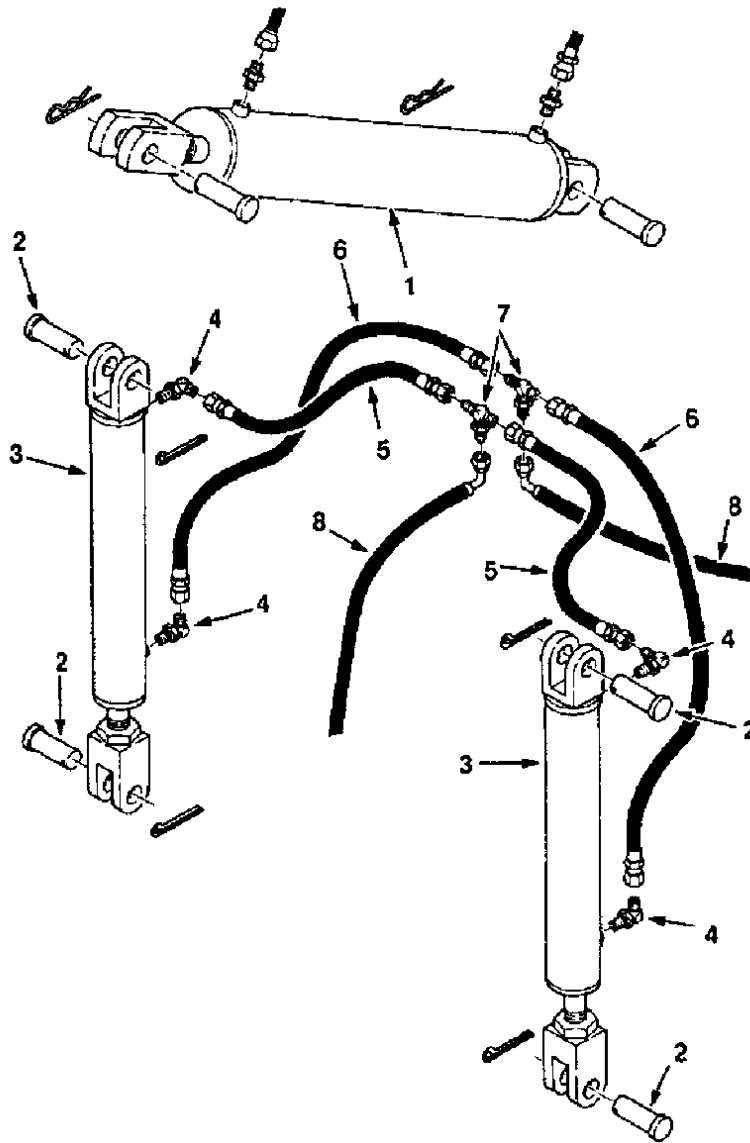


Fig. 12 - Lift and Dump Cylinders Group, Multi-Level Dump

01652

Key	TENNANT® Part No.	Machine Serial Number	Description	Qty.
1	34326	(000000-)	Cylinder, Hydraulic. (See Hydraulic Components)	1
2	04733-4	(000000-)	Pin, Clevis	4
3	04443	(000000-)	Cylinder, Hydraulic. (See Hydraulic Components)	2
4	77097	(000000-)	Fitting, Elbow	4
5	34382	(000000-)	Hose	2
6	34380	(000000-)	Hose	2
7	34392	(000000-)	Fitting, Tee	2
8	34379	(000000-)	Hose	2

NOTE: To identify parts shown but not listed here, see Section 5, Low Dump Model Parts.

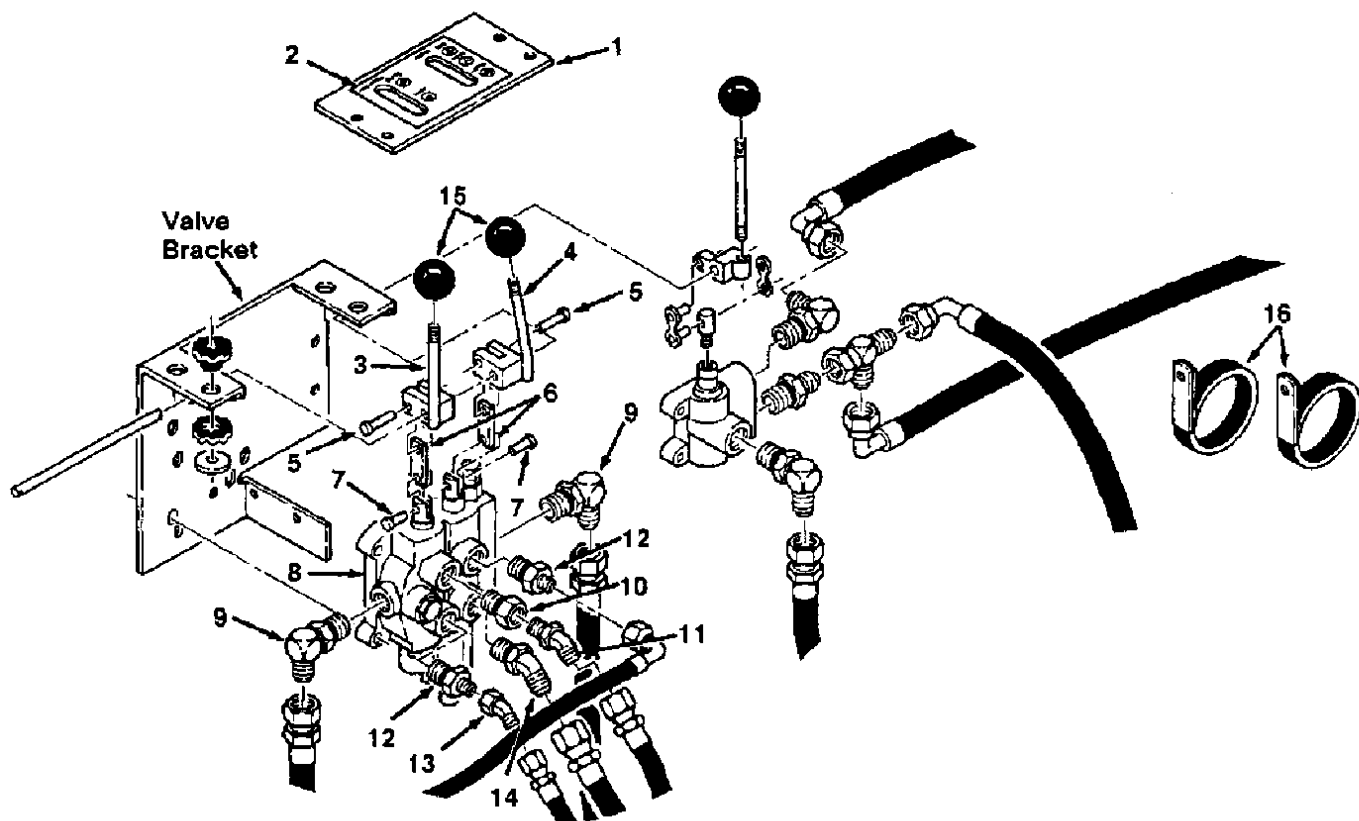


Fig. 13 - Main Control Valve Group, Multi-Level Dump

01654

Key	TENNANT® Part No.	Machine Serial Number	Description	Qty.
1	62587	(000000-)	Plate, Lintel Cover	1
2	34141	(000000-)	Label, Hopper and Dump Door	1
3	34318	(000000-)	Lever, Front Valve Spool	1
4	34317	(000000-)	Lever, Rear Valve Spool	1
5	15173	(000000-)	Pin, Clevis	2
6	32751	(000000-)	Strip	2
7	14605	(000000-)	Pin, Clevis	2
8	34319	(000000-)	Valve, (See Hydraulic Components)	1
9	44868	(000000-)	Fitting, Elbow	2
10	47637	(000000-)	Fitting, Straight	1
11	47522	(000000-)	Fitting, Elbow, 45°	1
12	55686	(000000-)	Fitting, Straight	2
13	68441	(000000-)	Fitting, Elbow, 45°	1
14	42226	(000000-)	Fitting, Elbow, 45°	1
15	26565	(000000-)	Knob	2
16	34312	(000000-)	Clamp, Loop	2

NOTE: To identify parts shown but not listed here, see Section 5, Low Dump Model Parts.

MULTI-LEVEL DUMP MODEL PARTS

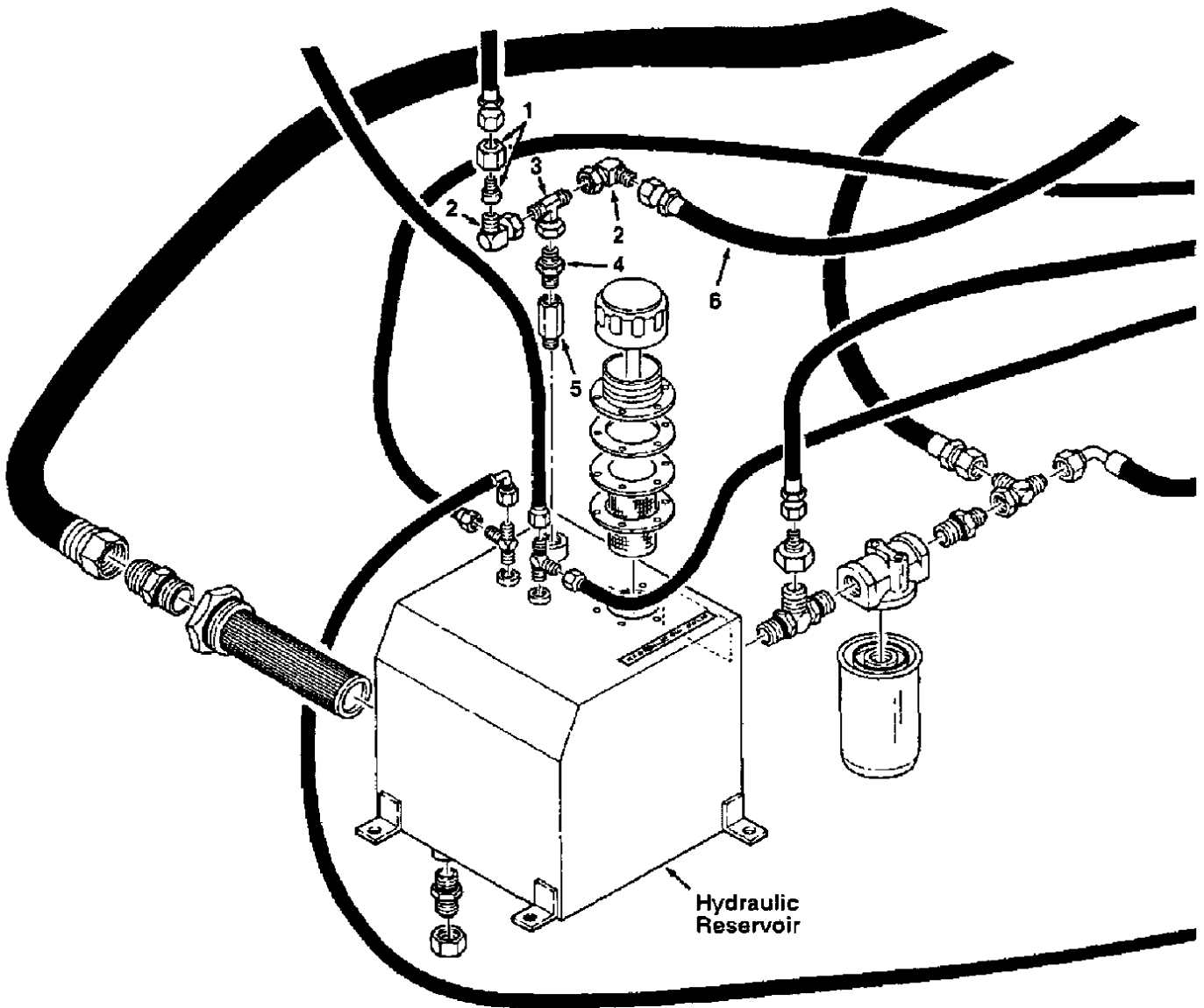


Fig. 14 - Hydraulic Reservoir Group, Multi-Level Dump

01653

Key	TENNANT® Part No.	Machine Serial Number	Description	Qty.
1	47752	(000000-)	Fitting, Straight	1
2	47504	(000000-)	Fitting, Elbow	2
3	35586	(000000-)	Fitting, Tee	1
4	56690	(000000-)	Fitting, Straight	1
5	34325	(000000-)	Valve, Relief, Hydraulic	1
6	34381	(000000-)	Hose	1

NOTE: To identify parts shown but not listed here, see Section 5, Low Dump Model Parts.

SECTION 11

CONTENTS

	Page
ORDERING REPAIR PARTS	11-3
Fig. 1 - Main Frame Group, AA	11-4
Fig. 2 - Stabilizer Leg Assembly, AA	11-5
Fig. 3 - Hopper Lift Arms Group, AA	11-6
Fig. 4 - Lintel Group, AA	11-7
Fig. 5 - Hopper Group, AA	11-8
Fig. 6 - Hopper Hinged and Dump Doors Group, AA	11-10
Fig. 7 - Hopper Cover Group, AA	11-12
Fig. 8 - Bumper Group, AA	11-14
Fig. 9 - Speed Limiter Assembly, AA	11-15
Fig. 10 - Instrument Panel Group, AA	11-16
Fig. 11 - Rear Wheel Assembly, AA	11-16
Fig. 12 - Hydraulic System, AA	11-17
Fig. 13 - Lift and Dump Cylinders Group, AA	11-18
Fig. 14 - Main Control Valve Group, AA	11-19
Fig. 15 - Hydraulic Fluid Cooler, AA	11-20
Fig. 16 - Accessories Pump Assembly, AA .	11-21
Fig. 17 - Air Assist Motor and Valve Group, AA	11-22
Fig. 18 - Hydraulic Reservoir Group, AA ...	11-24

NOTE: SECTION 11, AA MODEL PARTS, lists repair parts unique to an AA model machine.

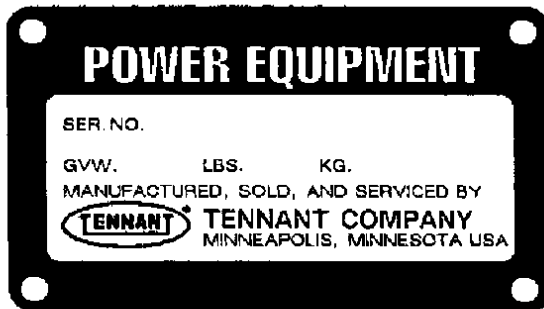
ORDERING REPAIR PARTS

The components used in this machine have been carefully selected for performance and safety. Use only Tennant Company specified or equivalent parts.

To receive prompt service in filling of your parts orders, please direct all orders for parts with Tennant Company part numbers to the Tennant Company, and all orders for parts with vendor part numbers to the local supplier of the respective vendor.

When ordering parts, please furnish all of the following information:

1. Machine model number - shown on the machine data plate.



2. Machine serial number - shown on the machine data plate.
3. Power source - gasoline, LPG, diesel, electric.
4. Company name.
5. Shipping address.
6. Billing address.
7. Name, first and last - of person ordering parts.
8. Telephone number.
9. Purchase order number.
10. Part number, description, and quantity - of each item on the order.
11. Customer ID Number.

Do not order parts by key number or the figure number of the illustrated parts. Indented items indicate parts of assemblies. Standard hardware is furnished only when part of a purchased assembly. Please get hardware from a local hardware supplier.

If the old part cannot be identified, send it to us with the quantity needed specified on the order.

Any claim for loss or damage to a shipment in transit should be filed promptly against the transportation company making the delivery. Shipments will be complete unless the packing list or order acknowledgement indicate items back ordered.

If parts received are suspected to be incorrect or defective, please write, wire, or phone the Tennant Company representative from whom you ordered the part. They will give authorization for return and/or handle replacement shipments when required.

SERIAL NUMBER INFORMATION EXPLANATION

Serial number listings are shown to indicate on which machines each part can be used. These listings are explained by the following examples:

(000000-) The part can be used on all machines.

(003342-) The part can be used on all machines beginning with the serial number listed.

(000000-004320) The part can be used on all machines up to and including serial number listed.

(004321-005678) The part can be used on all machines between and including the serial numbers listed.

Where xxxxx's are listed in place of a serial number, it indicates a change was made but the exact serial number had not been established when the catalog went to press.

SI UNITS OF MEASURE
{INTERNATIONAL SYSTEM}

Metric equivalents have been included, where applicable, throughout this parts catalog.

FASTENER STRENGTH IDENTIFICATION

Fasteners required to have high-strength qualities equivalent to SAE Grade 8 are identified throughout this catalog by the description GR 8. Unless identified by this description, all standard fasteners are SAE Grade 5.

(Specifications and design subject to change without notice.)

AA MODEL PARTS

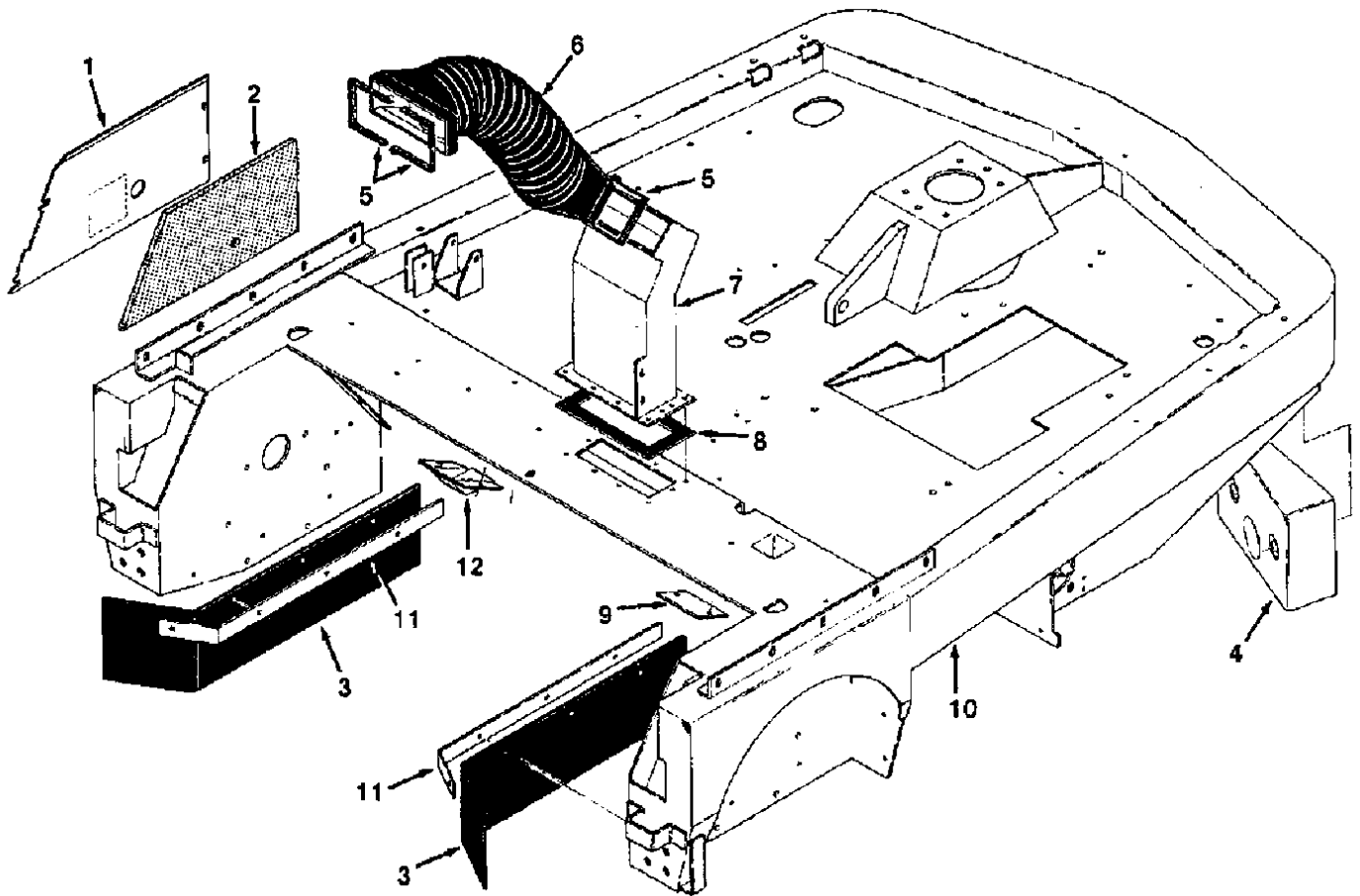


Fig. 1 - Main Frame Group, AA

01567

Key	TENNANT® Part No.	Machine Serial Number	Description	Qty.
1	34245	(000000-)	Panel, Access	1
2	34244	(000000-)	Foam, Acoustic	1
3	36789	(000000-)	Skirt	2
4	52115	(000000-)	Counterweight	2
5	23498	(000000-)	Clamp, Worm Drive	4
6	34060	(000000-)	Duct, Blower	1
7	36839	(000000-)	Duct	1
8	36846	(000000-)	Gasket, Duct	1
9	36807	(000000-)	Strip	1
10	34154	(000000-)	Frame, Main	1
11	36790	(000000-)	Retainer, Wheel Skirt	2
12	34064	(000000-)	Ramp, Cam	1

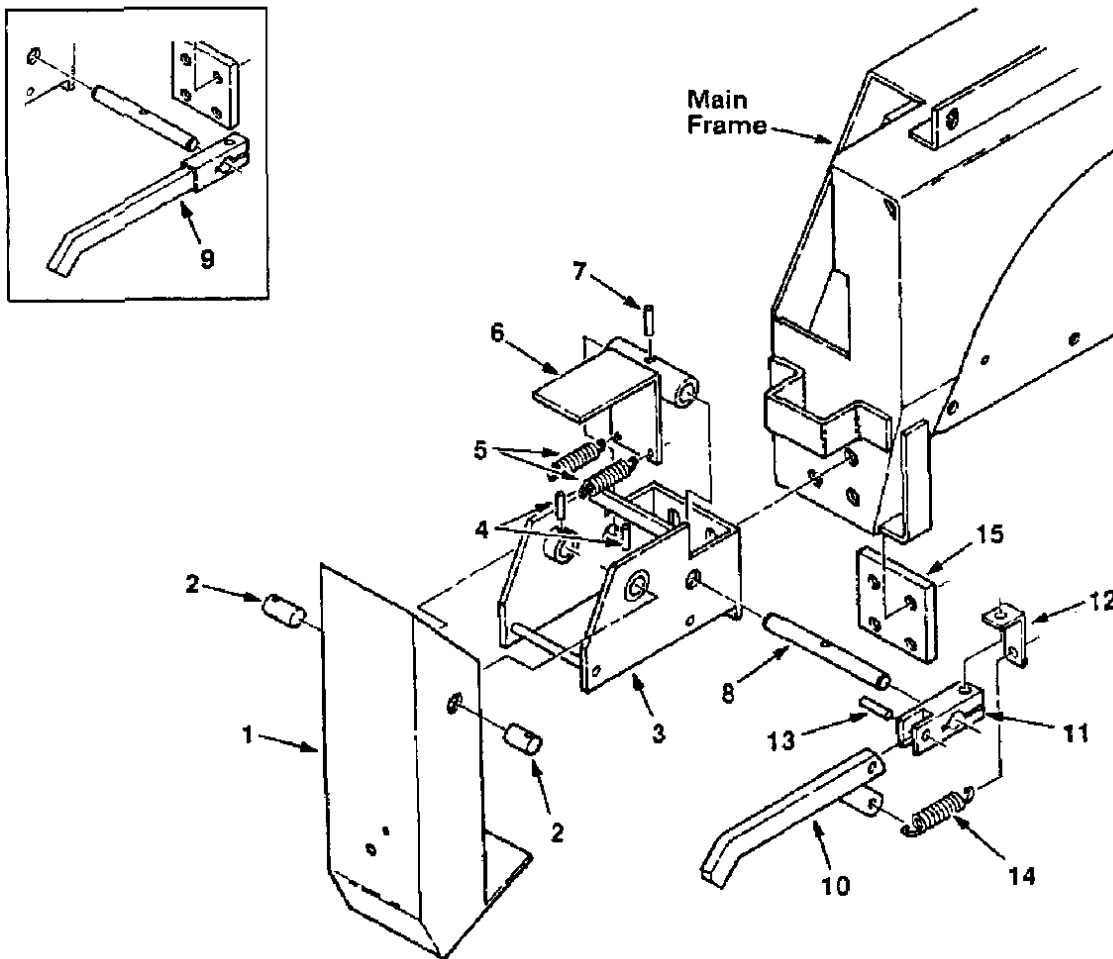


Fig. 2 - Stabilizer Leg Assembly, AA

Q1534

Key	TENNANT® Part No.	Machine Serial Number	Description	Qty.
	52564	(000000-)	Stabilizer Leg Assembly	1
1	52565	(000000-)	Leg, Safety	1
2	52568	(000000-)	Pin, Pivot	2
3	52570	(000000-)	Bracket, Leg Mounting	1
4	26239	(000000-)	Pin, Roll	2
5	13352	(000000-)	Spring	2
6	52575	(000000-)	Bracket, Stop	1
7	23999-3	(000000-)	Pin, Roll	1
8	52577	(000000-)	Shaft	1
9	52576	(000000-003877)	Lever, Stop (replaced by 09000)	1
	09000	(003878-)	Stop Lever Assembly	1
10	09933	(003878-)	Lever, Stop	1
11	08996	(003878-)	Block, Pivot	1
12	09934	(003878-)	Bracket, L	1
13	08961	(003878-)	Pin	1
14	54222	(003878-)	Spring	1
15	52571	(000000-)	Strip, Leg Mounting	1

NOTE: To identify parts shown but not listed here, see Section 5, Low Dump Model Parts.

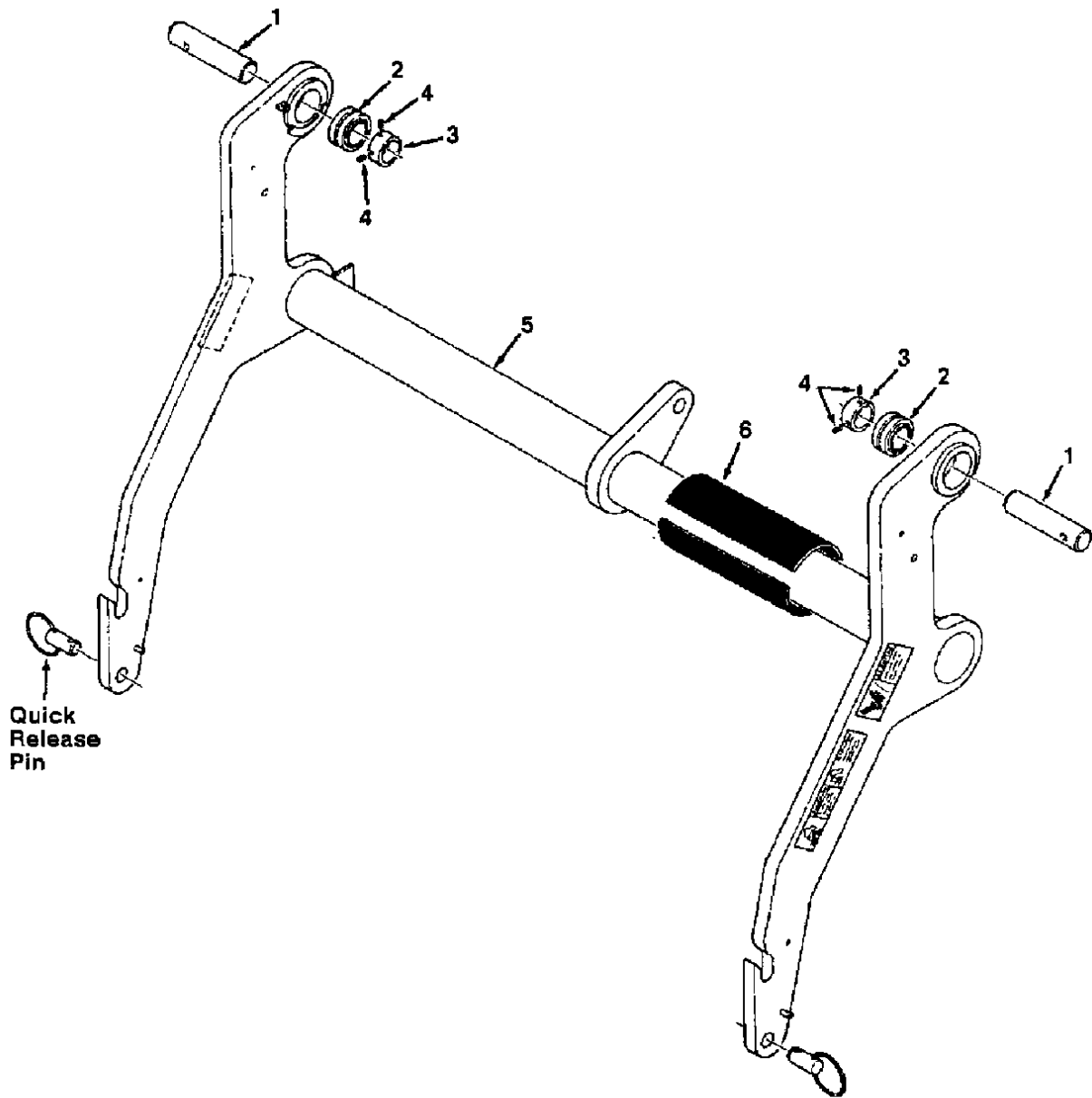


Fig. 3 - Hopper Lift Arms Group, AA

01997

Key	TENNANT® Part No.	Machine Serial Number	Description	Qty.
1	52062	(000000-)	Pin, Pivot	2
2	42120-9	(000000-)	Bearing	2
3	32816	(000000-)	Collar, Locking	2
4	50011	(000000-)	Screw, Set	4
5	34115	(000000-)	Hopper Lift Arm and Label Assembly	1
6	34061	(000000-)	Strip, Rubber	1

NOTE: To identify parts shown but not listed here, see Section 5, Low Dump Model Parts.

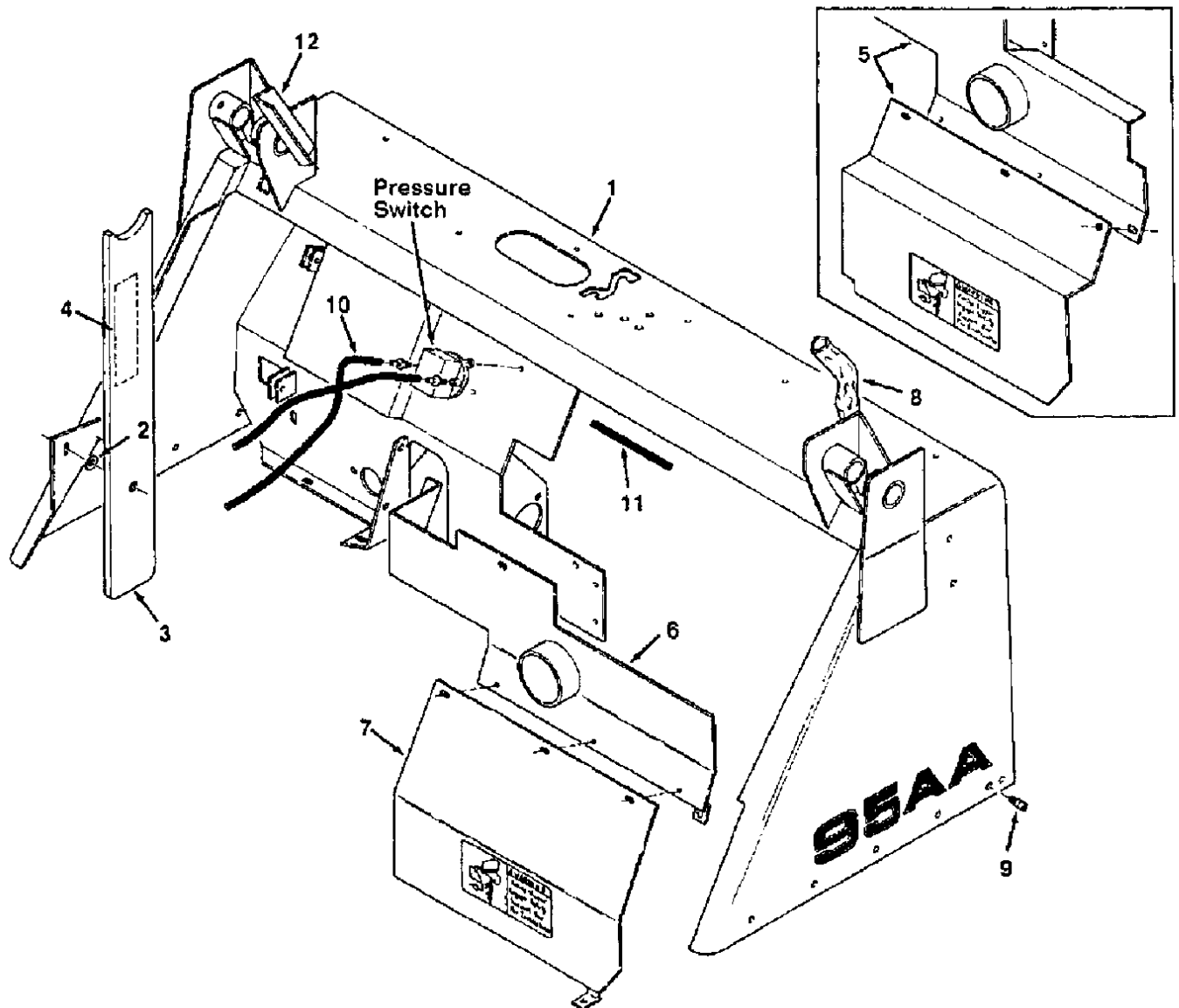


Fig. 4 - Lintel Group, AA

01801

Key	TENNANT® Part No.	Machine Serial Number	Description	Qty.
1	34201	(000000-)	Lintel	1
2	24227	(000000-)	Washer, Dished	1
3	34272	(000000-)	Safety Arm and Label Assembly	1
4	34121	(000000-)	Warning Label, Falling Hopper	1
5	SK2786	(000000-xxxxxx)	Replacement Kit, Shrouds	1
6	34296	(xxxxxx-)	Shroud, Upper	1
7	34331	(xxxxxx-)	Lower Shroud Plate and Label Assembly	1
8	34329	(000000-)	Sleeve	1
9	36758	(000000-)	Screw, Shoulder	2
10	39780	(000000-)	Hose	1
11	62595	(000000-)	Molding, Rigid	1
12	07881	(004156-)	Angle. Stop	1

NOTE: To identify parts shown but not listed here, see Section 5, Low Dump Model Parts.

AA MODEL PARTS

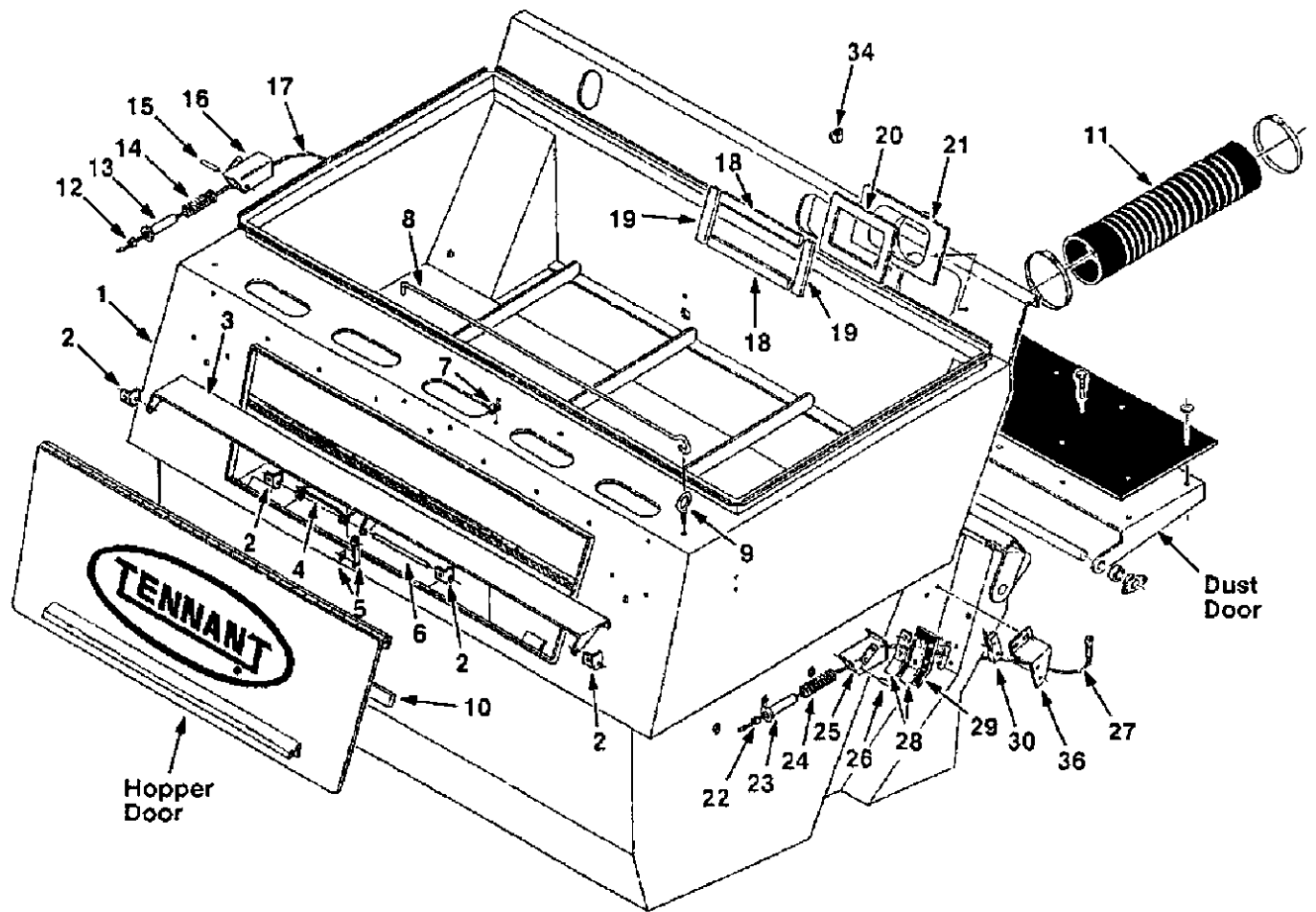
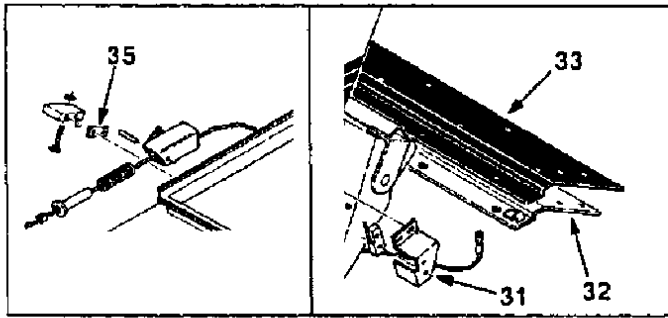


Fig. 5 - Hopper Group, AA

NOTE: To identify parts shown but not listed here, see Section 5, Low Dump Model Parts.

Fig. 5 - Hopper Group, AA

Key	TENNANT® Part No.	Machine Serial Number	Description	Qty.
1	34650	(000000-)	Hopper	1
2	36874	(000000-)	Pivot, Fire Door	4
3	36878	(000000-)	Door, Fire	1
4	51372	(000000-)	Spring	1
5	SK1511	(000000-)	Replacement Kit, Fusible Link	1
6	36875	(000000-)	Shaft, Fire Door	1
7	23446	(000000-)	Clip, Finger Grip	1
8	36873	(000000-)	Rod, Support, Hood	1
9	42173-1	(000000-)	Bolt, Eye	1
10	48651	(000000-)	Seal, Foam Rubber	1
11	34076	(000000-)	Hose	1
	34593	(000000-)	Upper Door Cable Assembly, R.H.	1
12	34678	(000000-)	Sleeve, Cable	1
13	34683	(000000-)	Retainer, Spring	1
14	39577	(000000-)	Spring	1
15	23146	(000000-)	Pin, Roll	1
16	39583	(000000-)	Tube, Spring, R.H.	1
17	34677	(000000-)	Cable Assembly	1
18	34083	(000000-)	Seal, Foam Rubber	2
19	34084	(000000-)	Seal, Foam Rubber	2
20	34659	(000000-)	Gasket, Hopper Cover	1
21	34657	(000000-)	Transition, Hopper	1
	34594	(000000-)	Upper Door Cable Assembly, L.H.	1
22	34678	(000000-)	Sleeve, Cable	1
23	34683	(000000-)	Retainer, Spring	1
24	39577	(000000-)	Spring	1
25	07878	(000000-)	Tube, Spring, L.H.	1
26	23146	(000000-)	Pin, Roll	1
27	34677	(000000-)	Cable Assembly	1
28	34681	(000000-)	Retainer, Seal	4
29	34682	(000000-)	Seal	2
30	34639	(000000-)	Switch	1
31	07880	(000000-004051)	Switch Kit, Hopper Door	1
32	36888	(000000-002071)	Door, Dust Control	1
33	36889	(000000-002071)	Seal, Dust	1
34	06777	(000000-)	Clamp, Cable	2
35	34085	(000000-002071)	Shim, Mounting Block	1
36	07877	(004052-)	Bracket, Switch	1

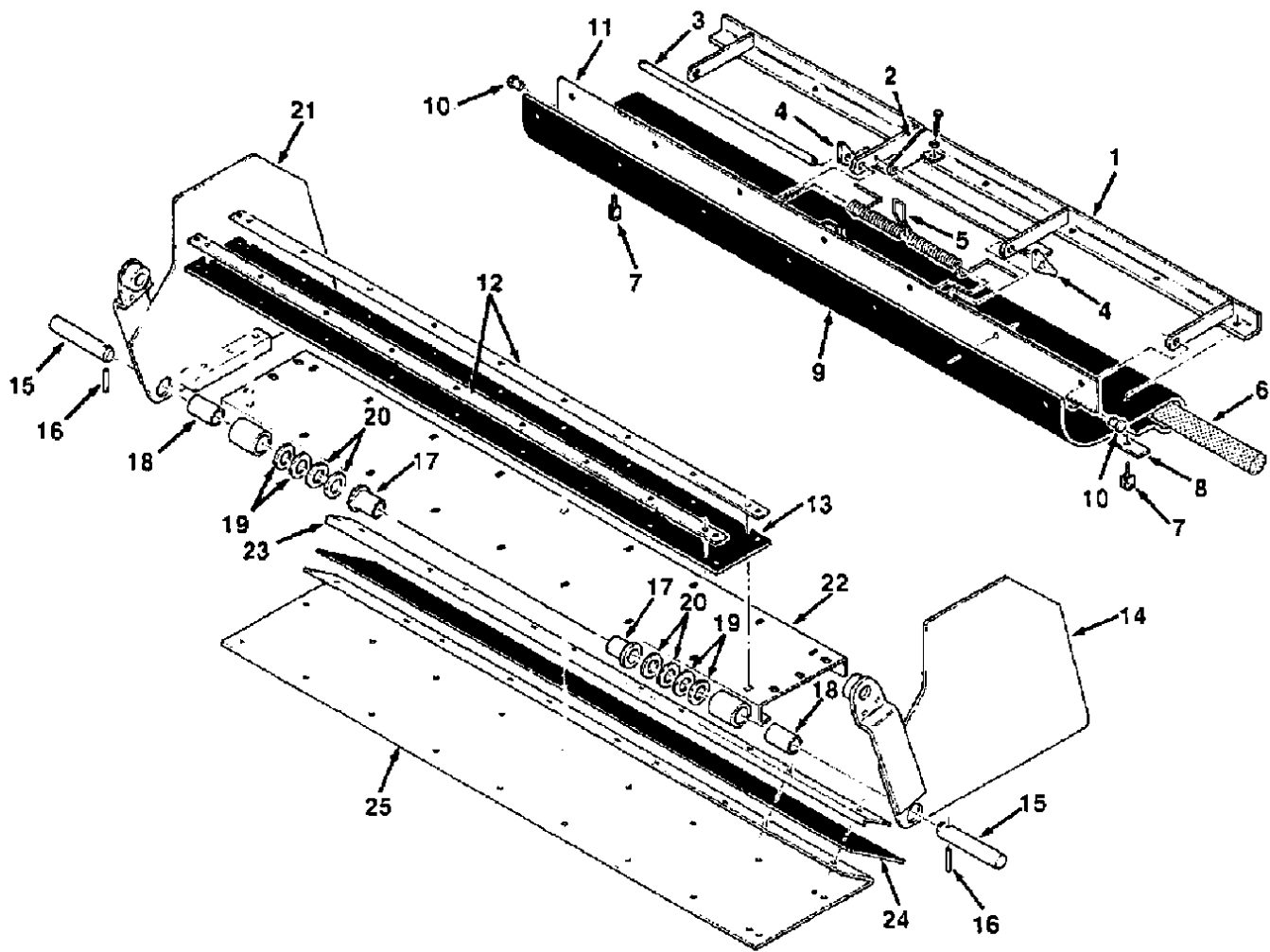


Fig. 6 - Hopper Hinged and Dump Doors Group, AA

Fig. 5 - Hopper Hinged and Dump Doors Group, AA

Key	TENNANT® Part No.	Machine Serial Number	Description	Qty.
1	39629	(000000-)	Hinge, Door	1
2	34744	(000000-)	Cam, Door	1
3	39597	(000000-)	Rod	1
4	39574	(000000-)	Stop, Door	2
5	39573A	(000000-)	Spring	1
6	34690	(000000-)	Cord, Sponge	1
7	39598	(000000-)	Clevis, Cable	2
8	39587	(000000-)	Strip	1
9	34689	(000000-)	Seal	1
10	51529	(000000-)	Pin, Clevis	2
11	39590	(000000-)	Hinge, Upper	1
12	34686	(000000-)	Strip	2
13	34685	(000000-)	Seal	1
14	34672	(000000-)	Side, Door, L.H.	1
15	34670	(000000-)	Pin, Pivot	2
16	75302	(000000-)	Pin, Roll	2
17	34679	(000000-)	Bearing, Flanged	2
18	67029	(000000-)	Sleeve	2
19	32599	(000000-)	Washer, 0.03" (1 mm)	4
20	32598	(000000-)	Washer, 0.13" (3 mm)	4
21	34673	(000000-)	Side, Door, R.H.	1
22	34674	(000000-)	Bottom, Door	1
23	09928	(000000-)	Strip	1
24	16784	(000000-)	Skirt, Door	1
25	34687	(000000-)	Plate, Wear	1

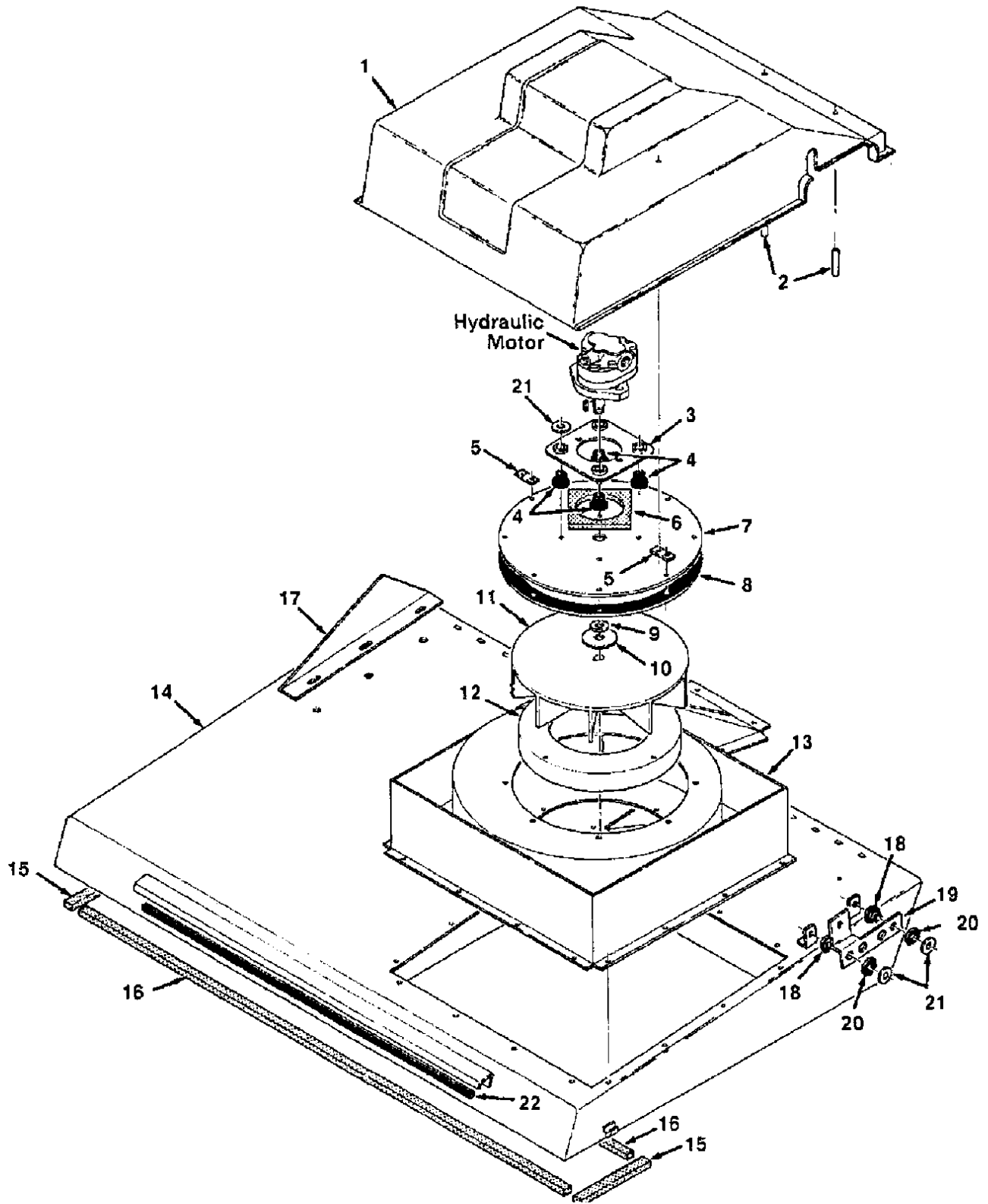


Fig. 7 - Hopper Cover Group, AA

Fig. 7 - Hopper Cover Group, AA

Key	TENNANT® Part No.	Machine Serial Number	Description	Qty.
1	36786A	(000000-)	Cover, Fan Housing	1
2	36784	(000000-)	Spacer	2
3	36800	(000000-)	Bracket, Motor Mounting	1
4	54274	(000000-)	Isolator, Vibration	4
5	36787-1	(000000-)	Tab, Cover Mount	2
6	35861	(000000-)	Seal, Vacuum Tube	1
7	36869	(000000-)	Plate, Motor Mount	1
8	36899	(000000-)	Gasket	1
9	36791	(000000-)	Spacer, Fan Impeller	1
10	24564	(000000-)	Washer	1
11	36792	(000000-)	Impeller	1
12	36785	(000000-)	Transition	1
13	36767	(000000-)	Housing, Impeller	1
	32571	(000000-)	Sealant, 11 oz (315 cc)	3
14	34656	(000000-)	Cover, Filter Box	1
15	36844	(000000-)	Seal, Foam Rubber	2
16	34074	(000000-)	Seal, Foam Rubber	2
17	50607	(000000-)	Bracket, Stop	1
18	62173	(000000-)	Bushing	2
19	34716	(000000-003201)	Plate, Mounting	1
19	16861	(003202-)	Plate, Mounting	1
20	62172	(000000-)	Ring	2
21	30013	(000000-)	Washer	6
22	59118-9	(000000-)	Molding, Rigid, 34.0" (865 mm)	1

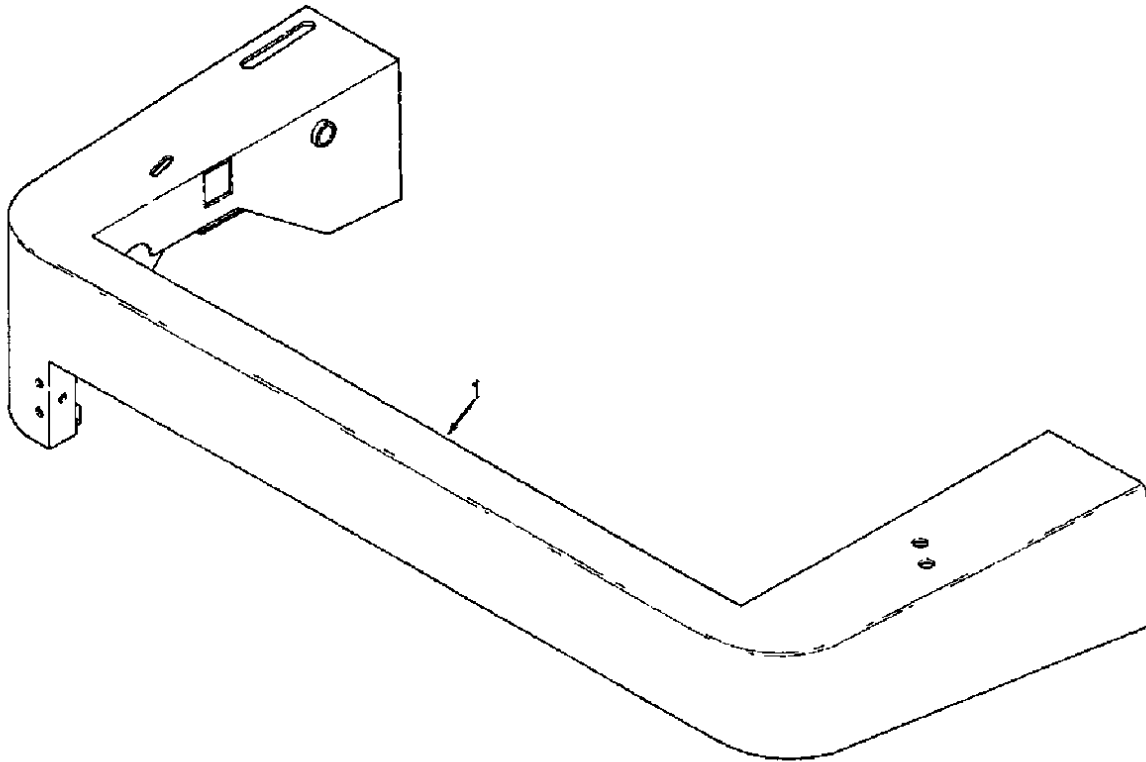


Fig. 8 - Bumper Group, AA

01540

Key	TENNANT® Part No.	Machine Serial Number	Description	Qty.
1	34518	(000000-002641)	Bumper	1
1	16771	(002642-)	Bumper	1

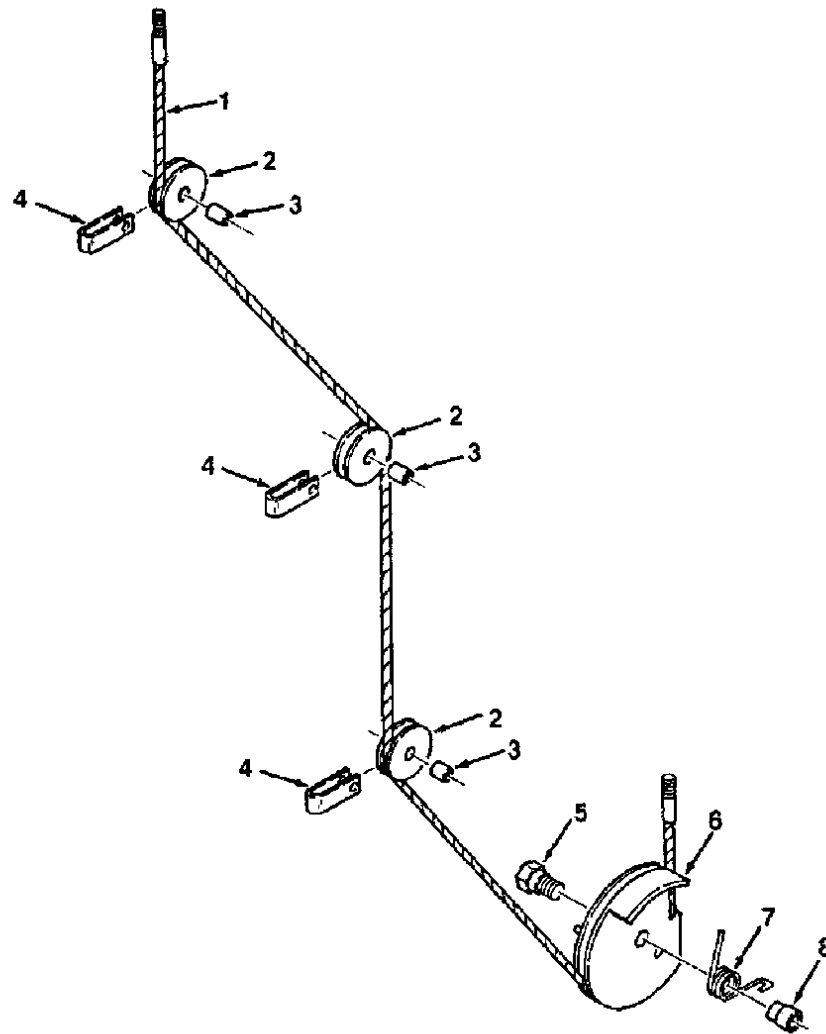


Fig. 9 - Speed Limiter Assembly, AA

01515

Key	TENNANT® Part No.	Machine Serial Number	Description	Qty.
	62683	(000000-)	Speed Limiter Assembly	1
1	62792	(000000-)	Cable Assembly	1
2	46328	(000000-)	Roller, Cable	3
3	01275	(000000-)	Steeve	3
4	46327	(000000-)	Guide, Cable	3
5	29087	(000000-)	Screw, Shoulder	1
6	62664	(000000-)	Cam, Speed Limiter	1
7	20029	(000000-)	Spring	1
8	62667	(000000-)	Bushing	1

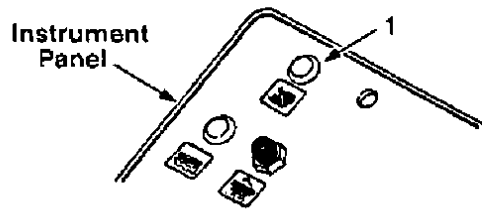


Fig. 10 - Instrument Panel Group, AA

01518

Key	TENNANT® Part No.	Machine Serial Number	Description	Qty.
1	34820	(000000-)	Lamp, Indicator	1

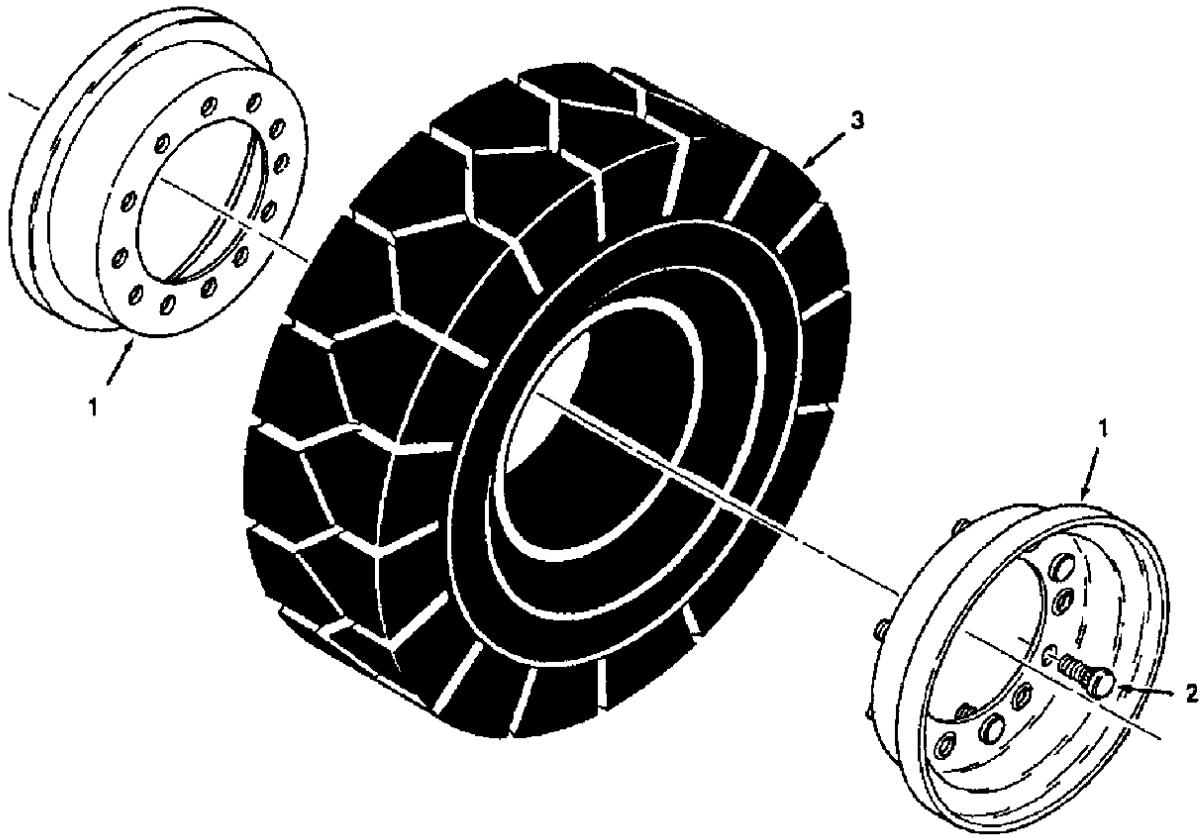


Fig. 11 - Rear Wheel Assembly, AA

01531

Key	TENNANT® Part No.	Machine Serial Number	Description	Qty.
1	51705	(000000-)	Tire and Wheel Assembly	1
1	52775	(000000-)	Rim Assembly	1
2	51355	(000000-)	Stud, Wheel	6
3	51711	(000000-)	Tire	1

NOTE: To identify parts shown but not listed here, see Section 5, Low Dump Model Parts.

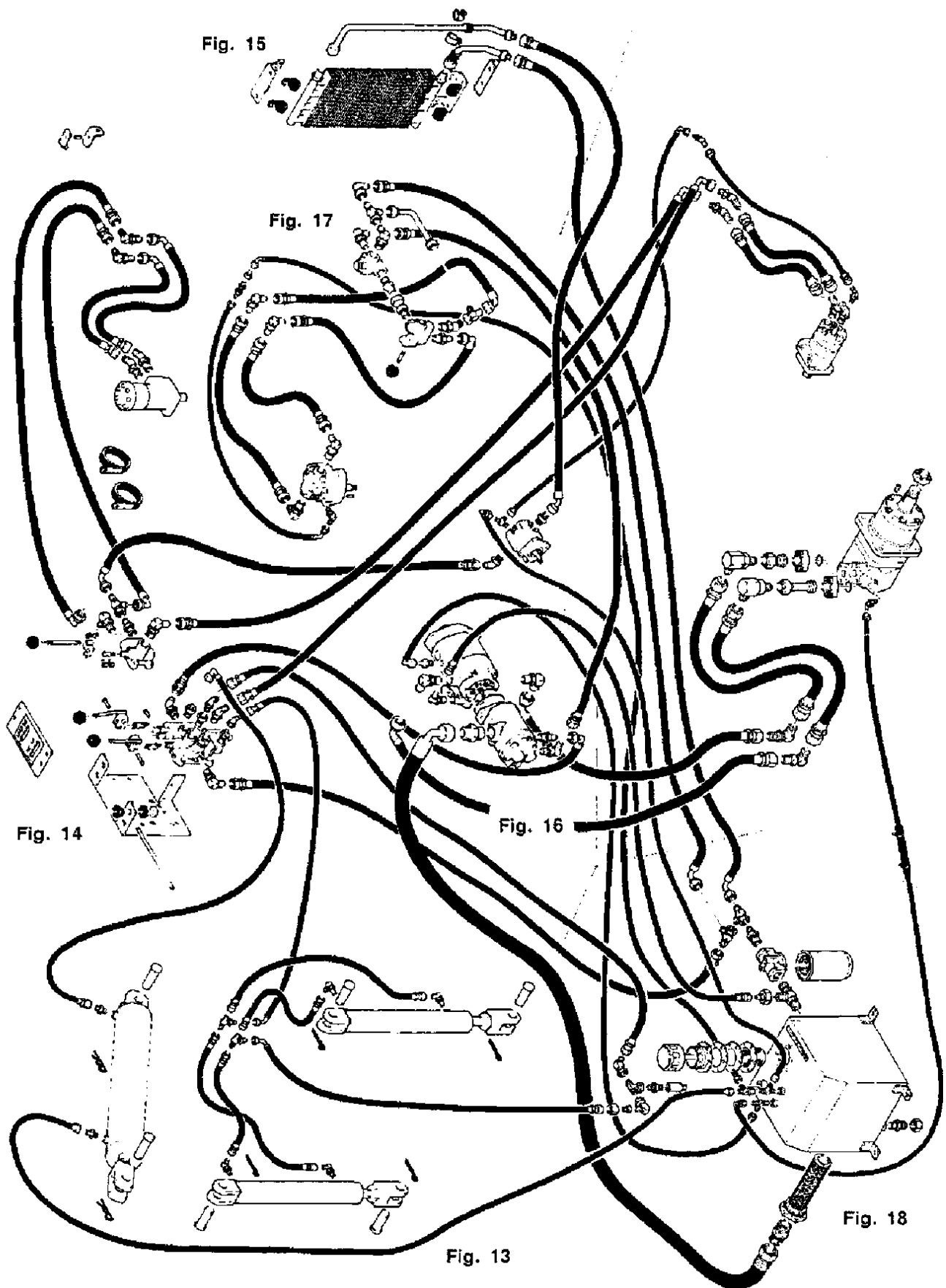


Fig. 12 - Hydraulic System, AA

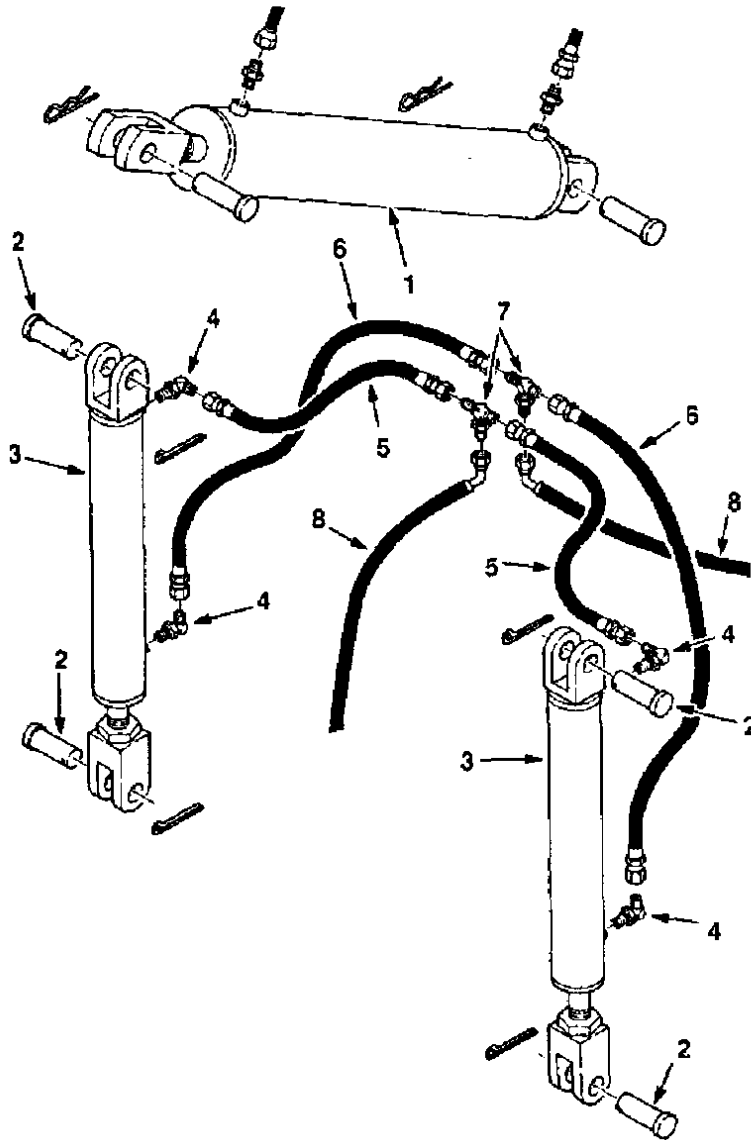


Fig. 13 - Lift and Dump Cylinders Group, AA

01652

Key	TENNANT® Part No.	Machine Serial Number	Description	Qty.
1	34326	(000000-)	Cylinder, Hydraulic, (See Hydraulic Components)	1
2	04733-4	(000000-)	Pin, Clevis	4
3	04443	(000000-)	Cylinder, Hydraulic, (See Hydraulic Components)	2
4	77097	(000000-)	Fitting, Elbow	4
5	34382	(000000-)	Hose	2
6	34380	(000000-)	Hose	2
7	34392	(000000-)	Fitting, Tee	2
8	34379	(000000-)	Hose	2

NOTE: To identify parts shown but not listed here, see Section 5, Low Dump Model Parts.

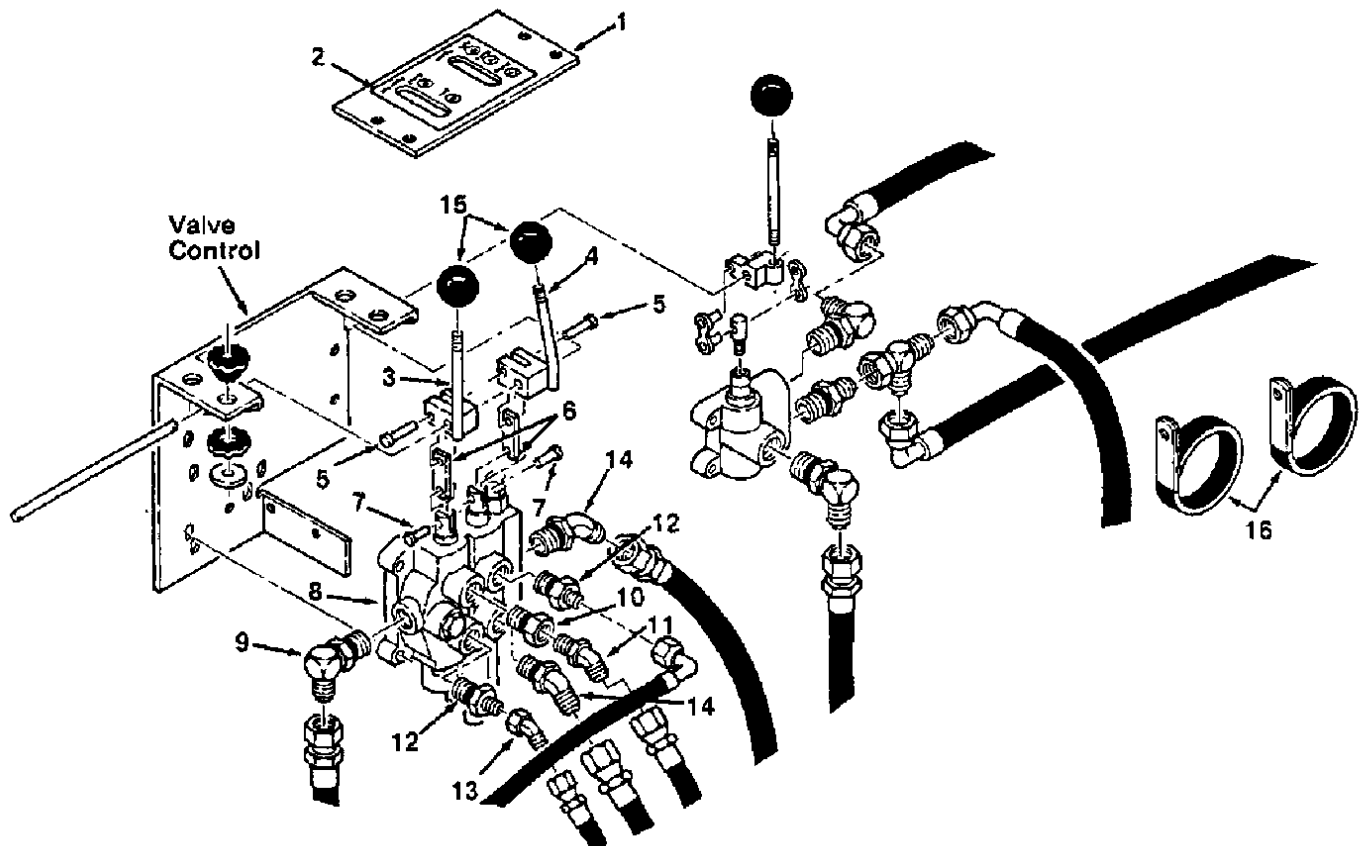


Fig. 14 - Main Control Valve Group, AA

01662

Key	TENNANT® Part No.	Machine Serial Number	Description	Qty.
1	62587	(000000-)	Plate, Lintel Cover	1
2	34141	(000000-)	Label, Hopper and Dump Door	1
3	34318	(000000-)	Lever, Front Valve Spool	1
4	34317	(000000-)	Lever, Rear Valve Spool	1
5	15173	(000000-)	Pin, Clevis	2
6	32751	(000000-)	Strip	2
7	14605	(000000-)	Pin, Clevis	2
8	34319	(000000-)	Valve, (See Hydraulic Components)	1
9	44868	(000000-)	Fitting, Elbow	1
10	47637	(000000-)	Fitting, Straight	1
11	47522	(000000-)	Fitting, Elbow, 45°	1
12	55686	(000000-)	Fitting, Straight	2
13	68441	(000000-)	Fitting, Elbow, 45°	1
14	42226	(000000-)	Fitting, Elbow, 45°	2
15	26565	(000000-)	Knob	2
16	34312	(000000-)	Clamp, Loop	2

NOTE: To identify parts shown but not listed here, see Section 5, Low Dump Model Parts.

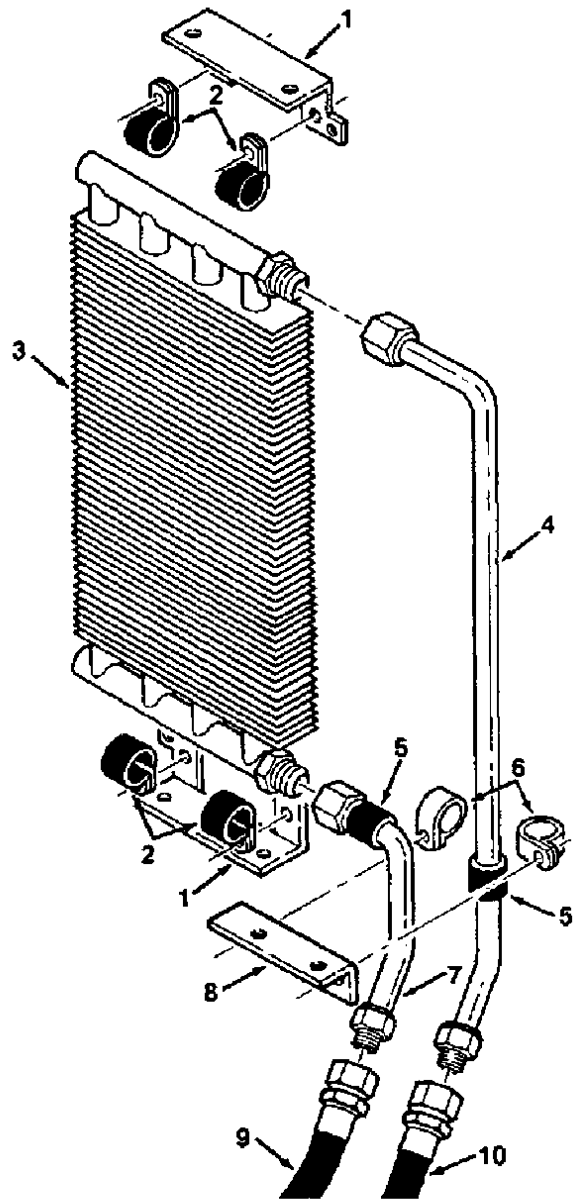


Fig. 15 - Hydraulic Fluid Cooler, AA

01666

Key	TENNANT® Part No.	Machine Serial Number	Description	Qty.
1	34986	(000000-)	Bracket, Cooler	2
2	40678-1	(000000-)	Clamp, Cable	4
3	69480	(000000-)	Cooler, Fluid	1
4	34947	(000000-)	Tube	1
5	54492	(000000-)	Sleeve	2
6	55495	(000000-)	Clamp, Cable	2
7	34943	(000000-)	Cooler Tube Assembly	1
8	34944	(000000-)	Angle, Clamp	1
9	34371	(000000-)	Hose	1
10	34370	(000000-)	Hose	1

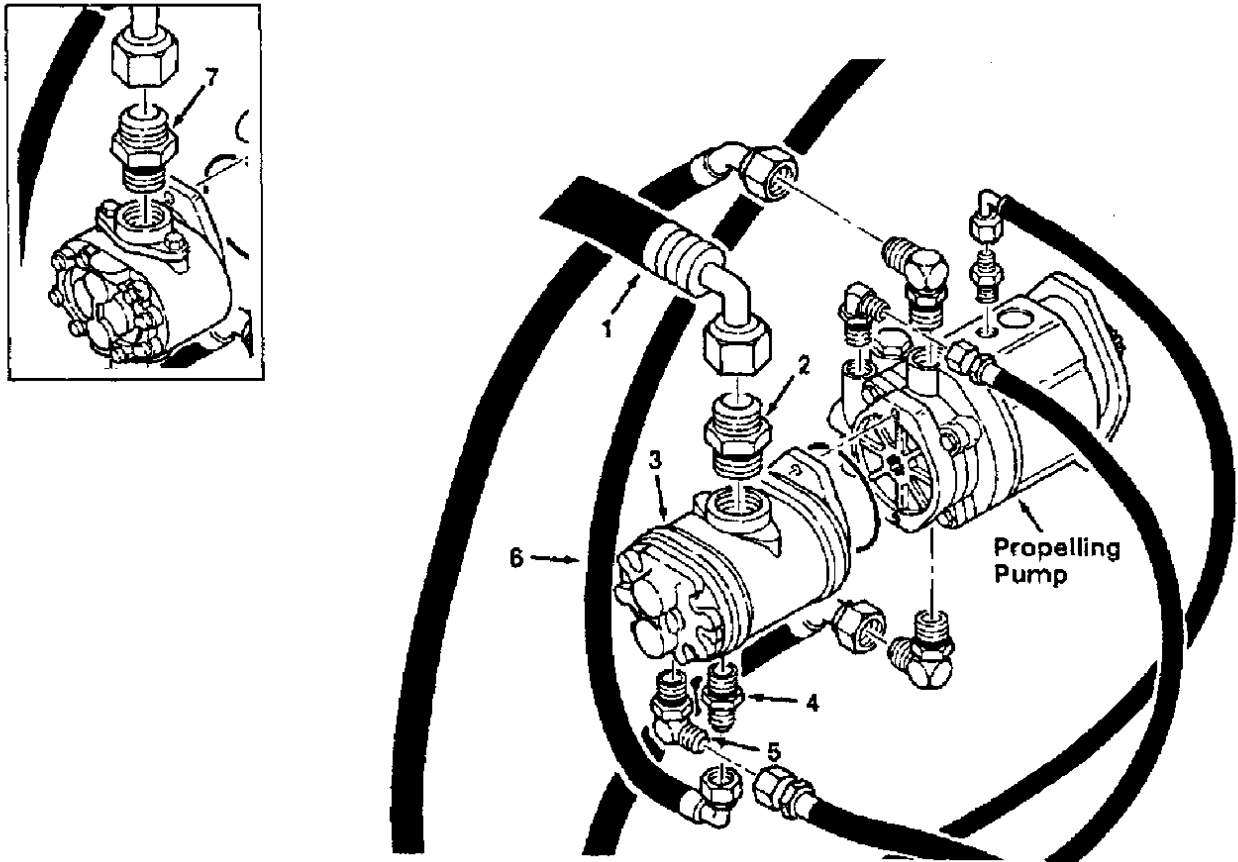


Fig. 15 - Accessories Pump Assembly, AA

01664

Key	TENNANT® Part No.	Machine Serial Number	Description	Qty.
1	34351	(000000-)	Hose	1
	16813	(003202-)	Hydraulic Pump Assembly	1
2	58858	(003202-)	Fitting, Straight	1
3	34311	(000000-003201)	Pump, (Replaced by 16834)	1
3	16840	(003202-)	Pump, (See Hydraulic Components)	1
4	56692	(000000-)	Fitting, Straight	1
5	56821	(000000-)	Fitting, Elbow	1
6	34355	(000000-)	Hose	1
7	67811	(000000-003201)	Fitting, Straight	1

NOTE: To identify parts shown but not listed here, see Section 5, Low Dump Model Parts.

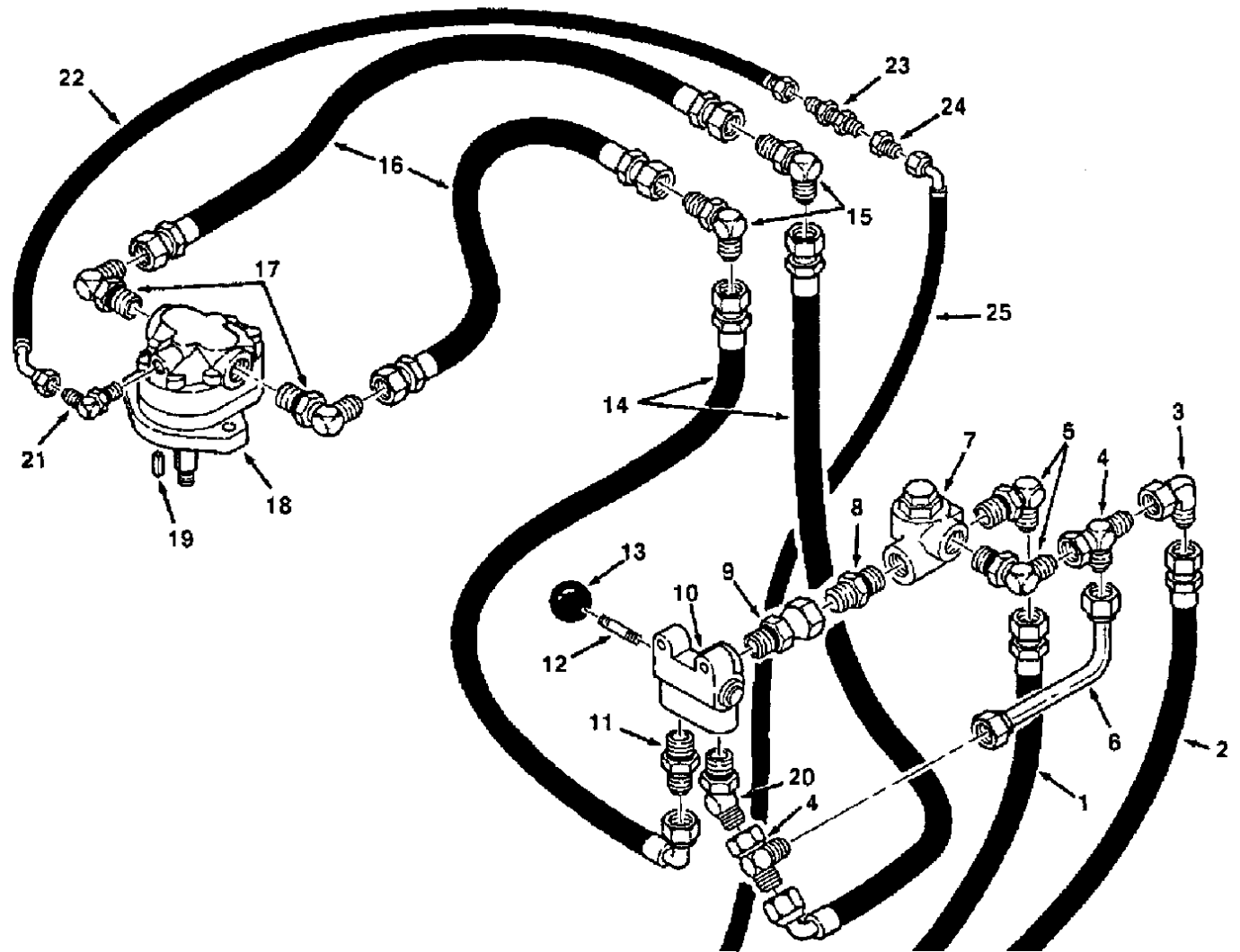


Fig. 17 - Air Assist Motor and Valve Group, AA

Fig. 17 - Air Assist Motor and Valve Group, AA

Key	TENNANT® Part No.	Machine Serial Number	Description	Qty.
1	34354	(000000-)	Hose	1
2	34394	(000000-)	Hose	1
3	17980	(000000-)	Fitting, Elbow	1
4	45482	(000000-)	Fitting, Tee	2
5	56821	(000000-)	Fitting, Elbow	2
6	34393	(000000-)	Tube Assembly	1
7	67515	(000000-)	Valve, Relief, (See Hydraulic Components)	1
8	46480	(000000-)	Fitting, Straight	1
9	34391	(000000-)	Fitting, Straight	1
10	48108A	(000000-003201)	Valve, Select, (See Hydraulic Components)	1
10	16815	(003202-)	Valve, Select	1
11	56692	(000000-)	Fitting, Straight	1
12	36829	(000000-)	Stud	1
13	26565	(000000-)	Knob	1
14	34364	(000000-)	Hose	2
15	34365	(000000-)	Fitting, Elbow	2
16	34395	(000000-)	Hose	2
17	56821	(000000-)	Fitting, Elbow	2
18	36808	(000000-001508)	Motor, Hydraulic, (See Hydraulic Components)	1
18	16071	(001509-003201)	Motor, Hydraulic, (Replaced by 16819)	1
18	16814	(003202-)	Motor, Hydraulic, (See Hydraulic Components)	1
19	00910	(000000-)	Key, Square	1
20	47513	(000000-)	Fitting, Elbow, 45°	1
21	56820	(003202-)	Fitting, Elbow	1
22	16866	(003202-)	Hose	1
23	16864	(003202-)	Fitting, Straight	1
24	47752	(003202-)	Fitting, Straight	1
25	16868	(003202-)	Hose	1

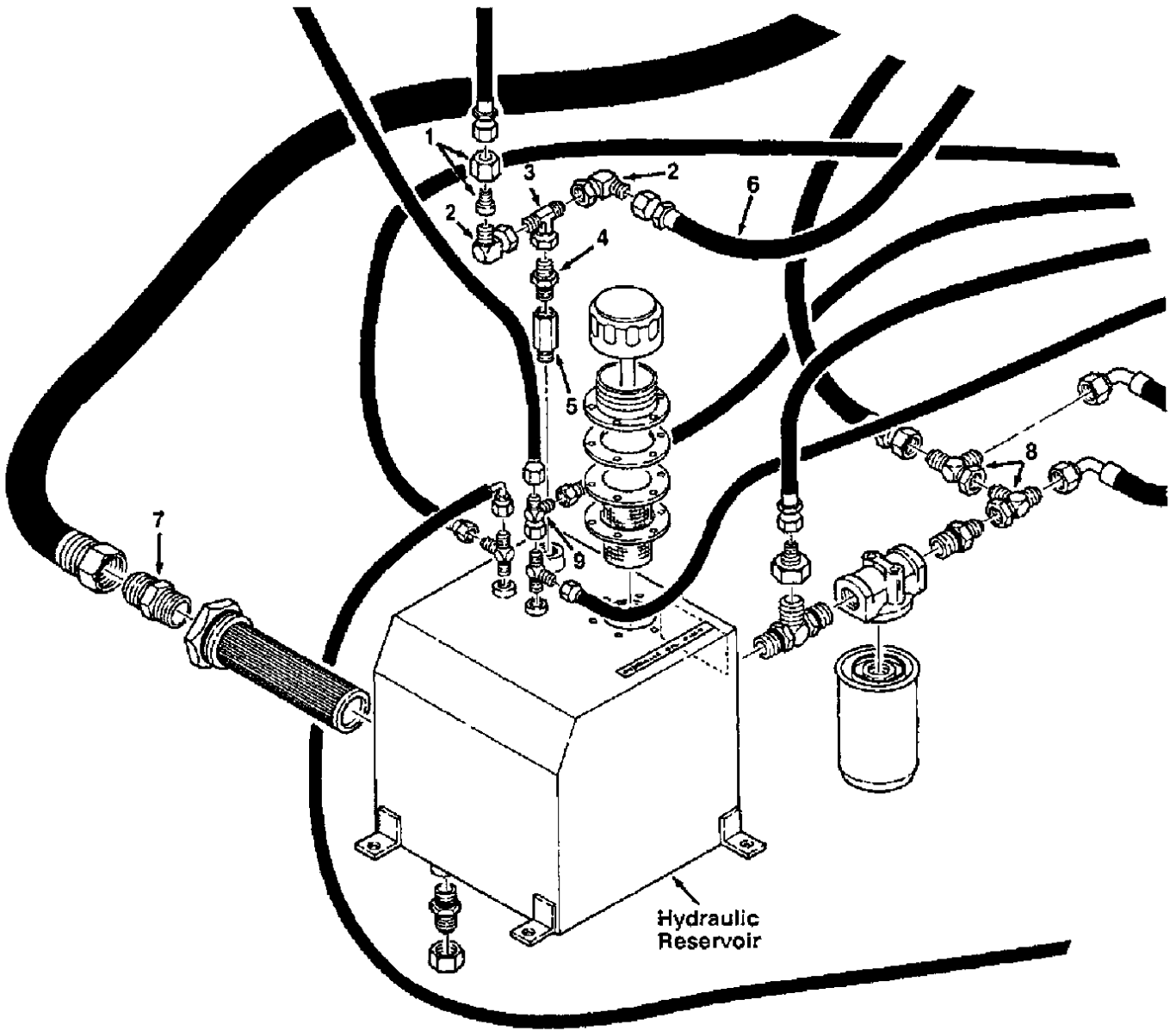


Fig. 18 - Hydraulic Reservoir Group, AA

01663

Key	TENNANT® Part No.	Machine Serial Number	Description	Qty.
1	47752	(000000-)	Fitting, Straight	1
2	47504	(000000-)	Fitting, Elbow	2
3	35586	(000000-)	Fitting, Tee	1
4	56690	(000000-)	Fitting, Straight	1
5	34325	(000000-)	Valve, Relief	1
6	34381	(000000-)	Hose	1
7	58858	(000000-)	Fitting, Straight	1
8	45482	(000000-)	Fitting, Tee	2
9	57988	(003202-)	Fitting, Tee	1

NOTE: To identify parts shown but not listed here, see Section 5, Low Dump Model Parts.

SECTION 12

CONTENTS

	Page
ORDERING REPAIR PARTS	12-3
Fig. 1 - Main Frame Group, SE	12-4
Fig. 2 - Stabilizer Leg Assembly, SE	12-5
Fig. 3 - Hopper Lift Arms Group, SE	12-6
Fig. 4 - Lintel Group, SE	12-7
Fig. 5 - Hopper Group, SE	12-8
Fig. 6 - Hopper Hinged and Dump Doors Group, SE	12-10
Fig. 7 - Bumper Group, SE	12-12
Fig. 8 - Neutral Start Switch Group, SE ...	12-12
Fig. 9 - Speed Limiter Assembly, SE	12-13
Fig. 10 - Engine Hood Assembly, SE	12-14
Fig. 11 - Instrument Panel Group, SE	12-15
Fig. 12 - Vacuum Fan Group, SE	12-15
Fig. 13 - Rear Wheel Assembly, SE	12-16
Fig. 14 - Engine Group, SE	12-17
Fig. 15 - Air Cleaner Group, SE	12-18
Fig. 16 - Hydraulic System, SE	12-20
Fig. 17 - Hydraulic Reservoir Group, SE ...	12-21
Fig. 18 - Lift and Dump Cylinders Group, SE	12-22
Fig. 19 - Main Control Valve Group, SE ...	12-23
Fig. 20 - Hydraulic Fluid Cooler, SE	12-24

NOTE: SECTION 12, SE MODEL PARTS, lists repair parts unique to an SE model machine.

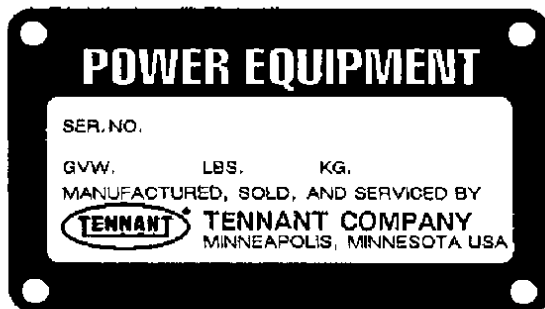
ORDERING REPAIR PARTS

The components used in this machine have been carefully selected for performance and safety. Use only Tennant Company specified or equivalent parts.

To receive prompt service in filling of your parts orders, please direct all orders for parts with Tennant Company part numbers to the Tennant Company, and all orders for parts with vendor part numbers to the local supplier of the respective vendor.

When ordering parts, please furnish all of the following information:

1. Machine model number - shown on the machine data plate.



2. Machine serial number - shown on the machine data plate.
3. Power source - gasoline, LPG, diesel, electric.
4. Company name.
5. Shipping address.
6. Billing address.
7. Name, first and last - of person ordering parts.
8. Telephone number.
9. Purchase order number.
10. Part number, description, and quantity - of each item on the order.
11. Customer ID Number.

Do not order parts by key number or the figure number of the illustrated parts. Indented items indicate parts of assemblies. Standard hardware is furnished only when part of a purchased assembly. Please get hardware from a local hardware supplier.

If the old part cannot be identified, send it to us with the quantity needed specified on the order.

Any claim for loss or damage to a shipment in transit should be filed promptly against the transportation company making the delivery. Shipments will be complete unless the packing list or order acknowledgement indicate items back ordered.

If parts received are suspected to be incorrect or defective, please write, wire, or phone the Tennant Company representative from whom you ordered the part. They will give authorization for return and/or handle replacement shipments when required.

SERIAL NUMBER INFORMATION EXPLANATION

Serial number listings are shown to indicate on which machines each part can be used. These listings are explained by the following examples:

(000000-) The part can be used on all machines.

(003342-) The part can be used on all machines beginning with the serial number listed.

(000000-004320) The part can be used on all machines up to and including serial number listed.

(004321-005678) The part can be used on all machines between and including the serial numbers listed.

Where xxxxx's are listed in place of a serial number, it indicates a change was made but the exact serial number had not been established when the catalog went to press.

SI UNITS OF MEASURE
(INTERNATIONAL SYSTEM)

Metric equivalents have been included, where applicable, throughout this parts catalog.

FASTENER STRENGTH IDENTIFICATION

Fasteners required to have high-strength qualities equivalent to SAE Grade 8 are identified throughout this catalog by the description GR 8. Unless identified by this description, all standard fasteners are SAE Grade 5.

(Specifications and design subject to change without notice.)

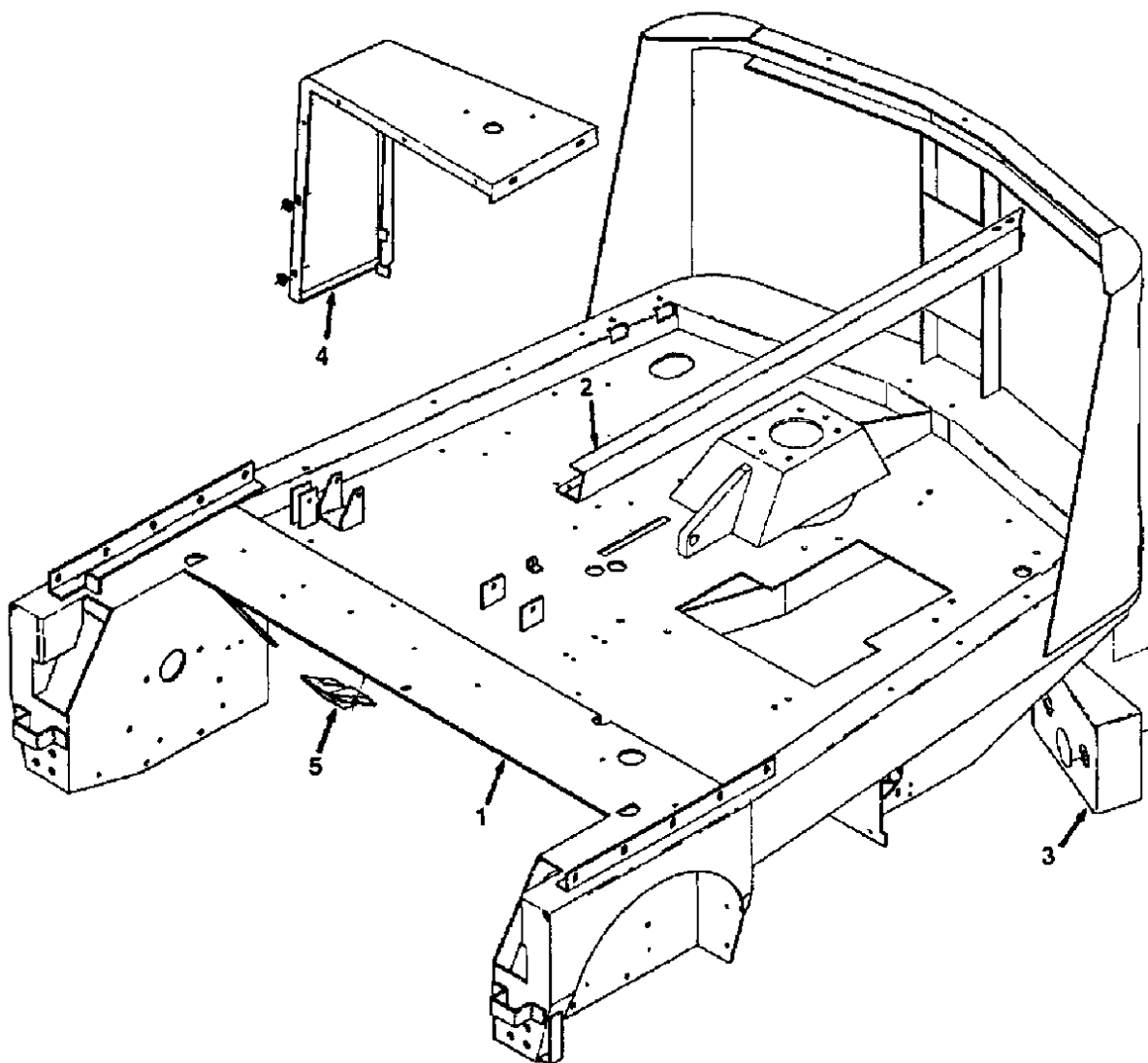


Fig. 1 - Main Frame Group, SE

01569

Key	TENNANT® Part No.	Machine Serial Number	Description	Qty.
1	34156	(000000-)	Frame, Main	1
2	39946	(000000-)	Channel, Side	1
3	52115	(000000-)	Counterweight	2
4	39934	(000000-)	Panel, Corner	1
5	34064	(000000-)	Ramp, Cam	1

NOTE: To identify parts shown but not listed here, see Section 5, Low Dump Model Parts.

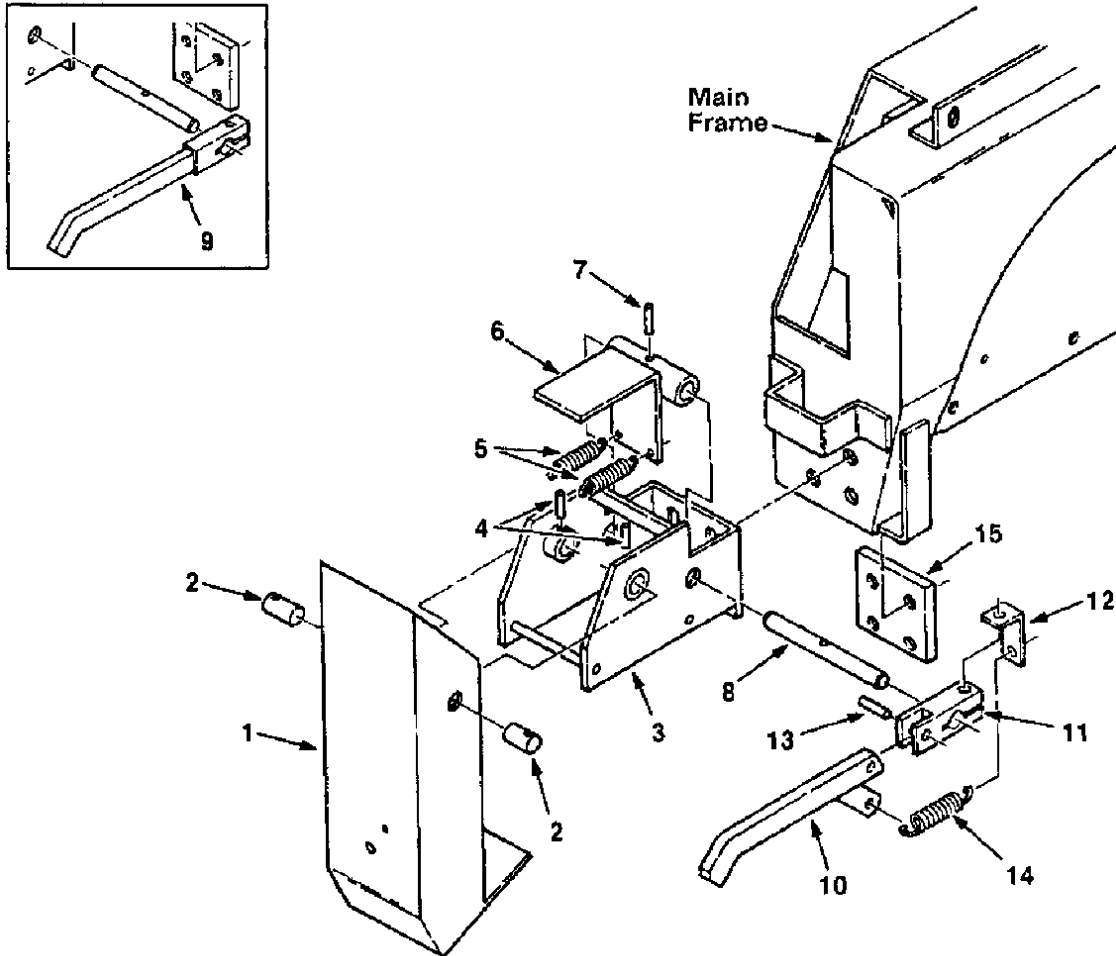


Fig. 2 - Stabilizer Leg Assembly, SE

01534

Key	TENNANT® Part No.	Machine Serial Number	Description	Qty.
	52564	(000000-)	Stabilizer Leg Assembly	1
1	52565	(000000-)	Leg, Safety	1
2	52568	(000000-)	Pin, Pivot	2
3	52570	(000000-)	Bracket, Leg Mounting	1
4	26239	(000000-)	Pin, Roll	2
5	13352	(000000-)	Spring	2
6	52575	(000000-)	Bracket, Stop	1
7	23999-3	(000000-)	Pin, Roll	1
8	52577	(000000-)	Shaft	1
9	52576	(000000-003877)	Lever, Stop (replaced by 09000)	1
	09000	(003878-)	Stop Lever Assembly	1
10	09933	(003878-)	Lever, Stop	1
11	08996	(003878-)	Block, Pivot	1
12	09934	(003878-)	Bracket, L	1
13	08961	(003878-)	Pin	1
14	54222	(003878-)	Spring	1
15	52571	(000000-)	Strip, Leg Mounting	1

NOTE: To identify parts shown but not listed here, see Section 5, Low Dump Model Parts.

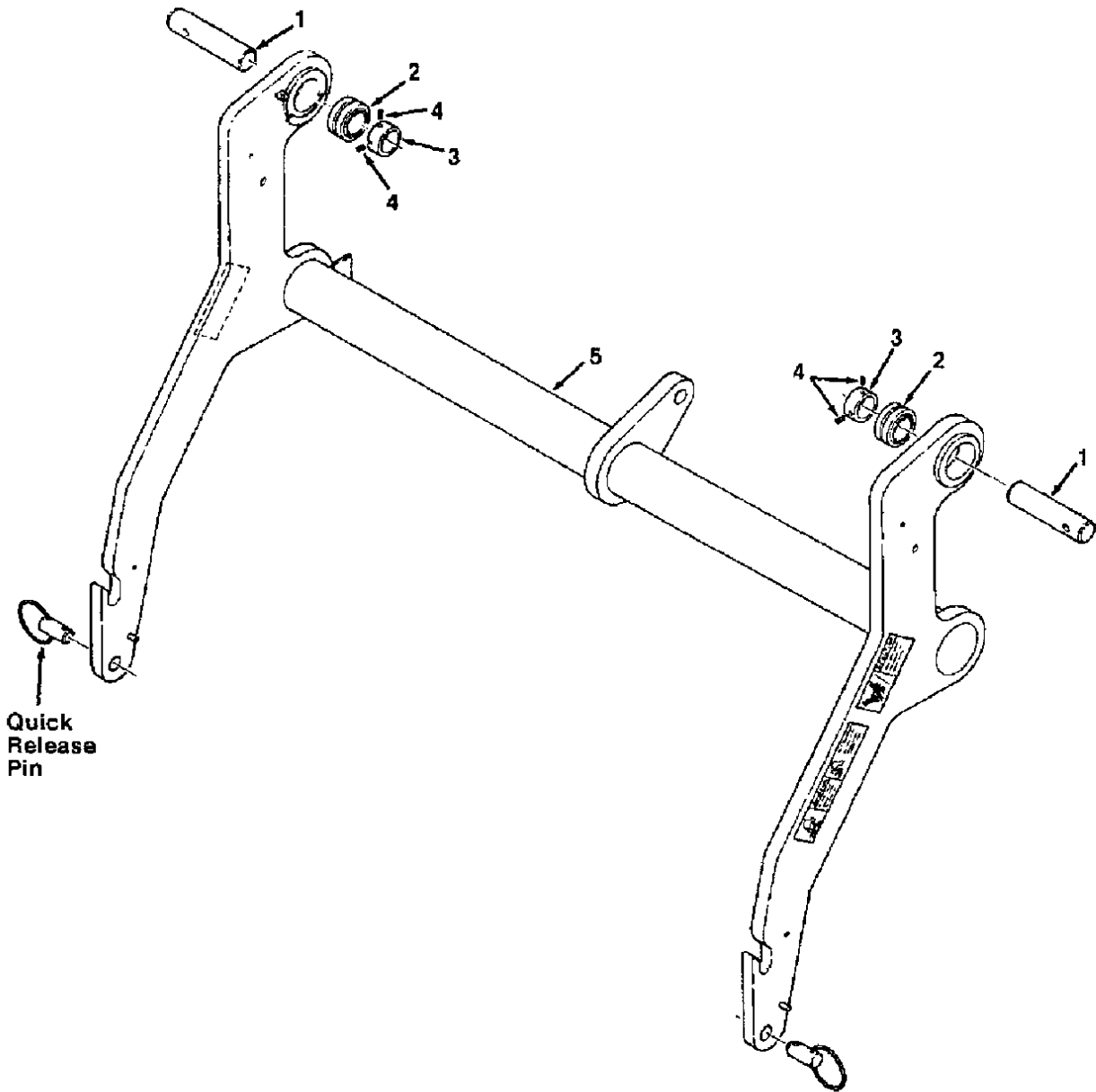


Fig. 3 - Hopper Lift Arms Group, SE

01555

Key	TENNANT® Part No.	Machine Serial Number	Description	Qty.
1	52062	(000000-)	Pin, Pivot	2
2	42120-9	(000000-)	Bearing	2
3	32816	(000000-)	Collar, Locking	2
4	50011	(000000-)	Screw, Set	4
5	34115	(000000-)	Hopper Lift Arm and Label Assembly	1

NOTE: To identify parts shown but not listed here, see Section 5, Low Dump Model Parts.

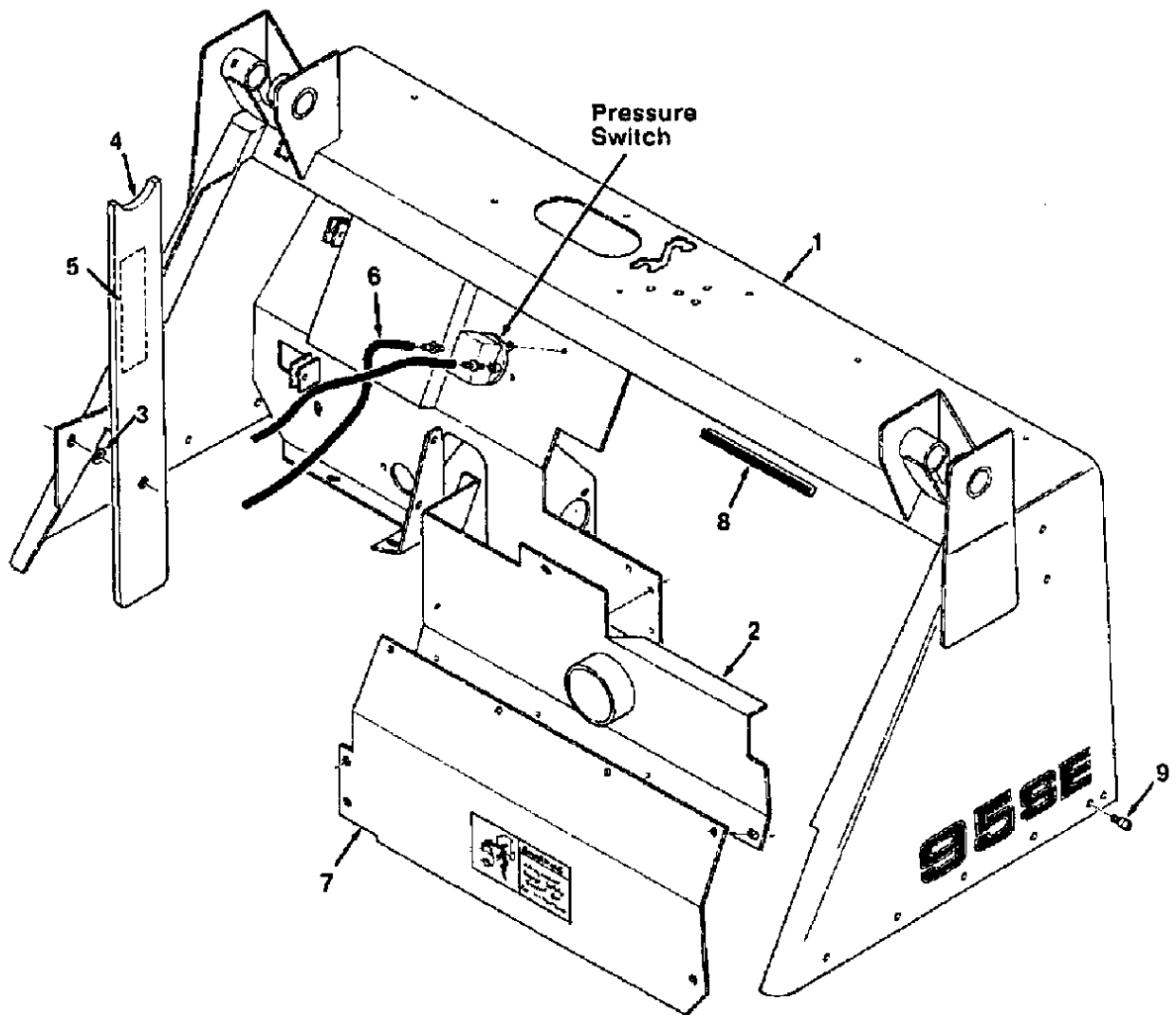


Fig. 4 - Lintel Group, SE

01599

Key	TENNANT® Part No.	Machine Serial Number	Description	Qty.
1	34201	(000000-)	Lintel	1
2	36203	(000000-)	Panel, Access	1
3	24227	(000000-)	Washer, Dished	1
4	34272	(000000-)	Safety Arm and Label Assembly	1
5	34121	(000000-)	Warning Label, Falling Hopper	1
6	39780	(000000-)	Hose	1
7	34112	(000000-)	Lower Shroud Plate and Label Assembly	1
8	62595	(000000-)	Molding, Rigid	1
9	36758	(000000-)	Screw, Shoulder	2

NOTE: To identify parts shown but not listed here, see Section 5, Low Dump Model Parts.

SE MODEL PARTS

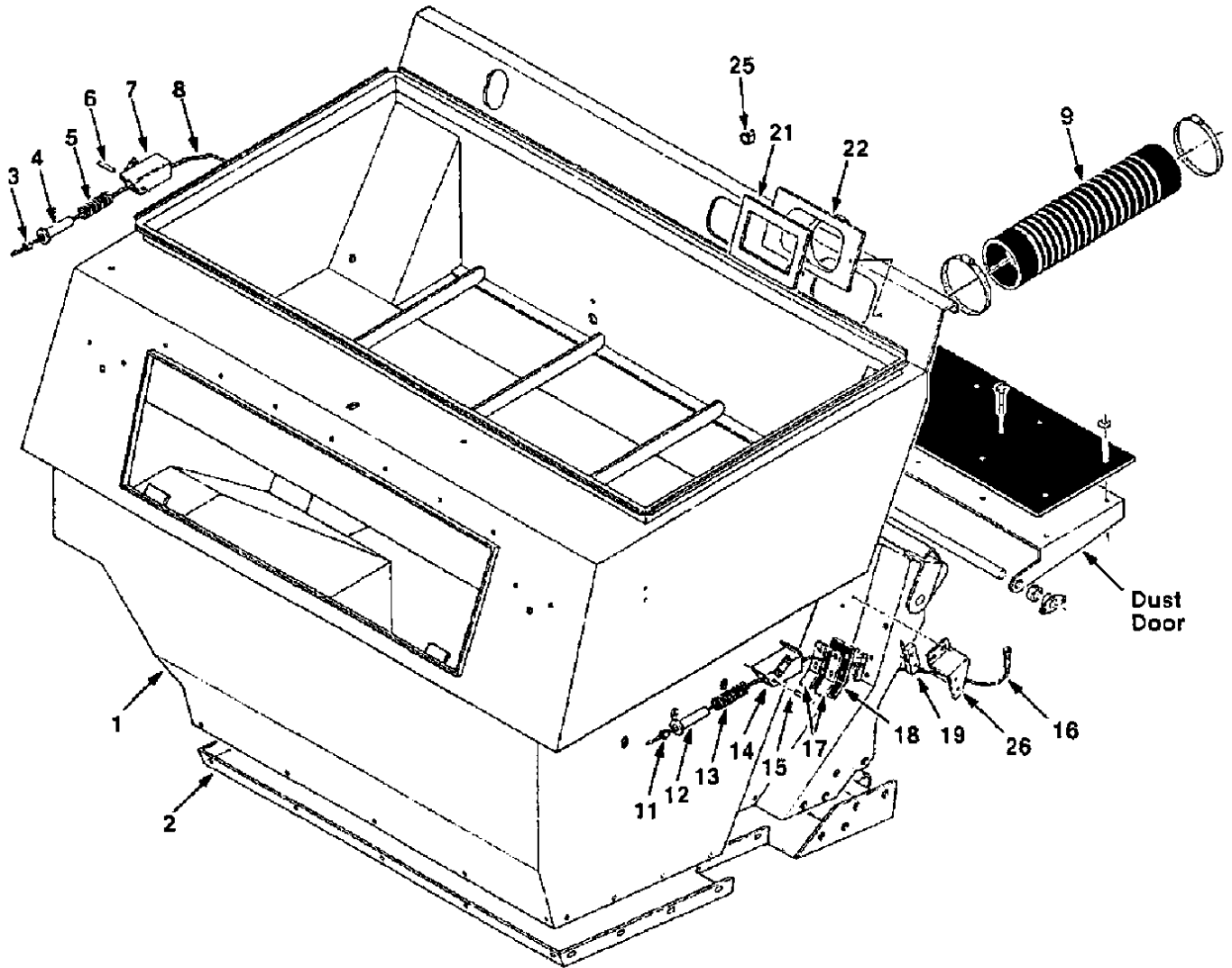
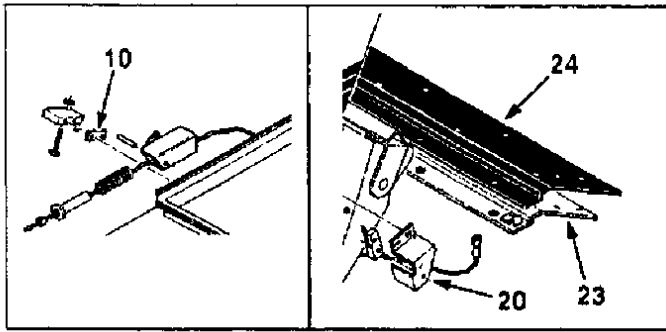


Fig. 5 - Hopper Group, SE

NOTE: To identify parts shown but not listed here, see Section 5, Low Dump Model Parts.

Fig. 5 - Hopper Group, SE

Key	TENNANT® Part No.	Machine Serial Number	Description	Qty.
1	34651	(000000-)	Hopper	1
2	34664	(000000-)	Panel, Hopper Bottom	1
	34593	(000000-)	Upper Door Cable Assembly, R.H.	1
3	34678	(000000-)	Sleeve, Cable	1
4	34683	(000000-)	Retainer, Spring	1
5	39577	(000000-)	Spring	1
6	23146	(000000-)	Pin, Roll	1
7	39583	(000000-)	Tube, Spring, R.H.	1
8	34677	(000000-)	Cable Assembly	1
9	34076	(000000-)	Hose	1
10	34085	(000000-002071)	Shim, Mounting Block	1
	34594	(000000-)	Upper Door Cable Assembly, L.H.	1
11	34678	(000000-)	Sleeve, Cable	1
12	34683	(000000-)	Retainer, Spring	1
13	39577	(000000-)	Spring	1
14	07878	(000000-)	Tube, Spring, L.H.	1
15	23146	(000000-)	Pin, Roll	1
16	34677	(000000-)	Cable Assembly	1
17	34681	(000000-)	Retainer, Seal	4
18	34682	(000000-)	Seal	2
19	34639	(000000-)	Switch	1
20	07880	(000000-004051)	Switch Kit, Hopper Door	1
21	34659	(000000-)	Gasket, Hopper Cover	1
22	34657	(000000-)	Transition, Hopper	1
23	36888	(000000-002071)	Door, Dust Control	1
24	36889	(000000-002071)	Seal, Dust	1
25	06777	(000000-)	Clamp, Cable	2
26	07877	(004052-)	Bracket, Switch	1

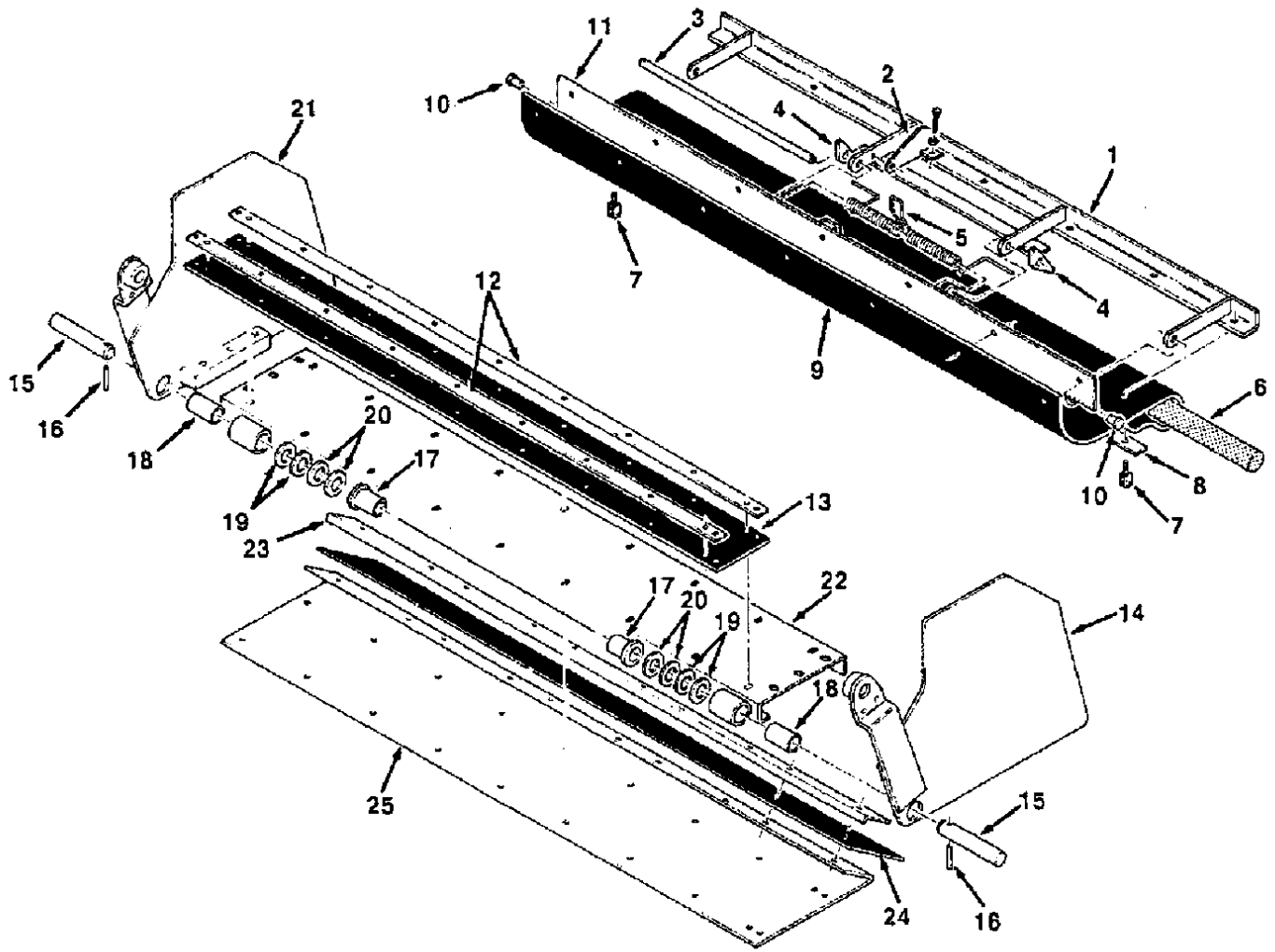


Fig. 6 - Hopper Hinged and Dump Doors Group, SE

Fig. 6 - Hopper Hinged and Dump Doors Group, SE

Key	TENNANT® Part No.	Machine Serial Number	Description	Qty.
1	39629	(000000-)	Hinge, Door	1
2	34744	(000000-)	Cam, Door	1
3	39597	(000000-)	Rod	1
4	39574	(000000-)	Stop, Door	2
5	39573A	(000000-)	Spring	1
6	34690	(000000-)	Cord, Sponge	1
7	39598	(000000-)	Clevis, Cable	2
8	39587	(000000-)	Strip	1
9	34689	(000000-)	Seal	1
10	51529	(000000-)	Pin, Clevis	2
11	39590	(000000-)	Hinge, Upper	1
12	34686	(000000-)	Strip	2
13	34685	(000000-)	Seal	1
14	34672	(000000-)	Side, Door, L.H.	1
15	34670	(000000-)	Pin, Pivot	2
16	75302	(000000-)	Pin, Roll	2
17	34679	(000000-)	Bearing, Flanged	2
18	67029	(000000-)	Sleeve	2
19	32599	(000000-)	Washer, 0.03" (1 mm)	4
20	32598	(000000-)	Washer, 0.13" (3 mm)	4
21	34673	(000000-)	Side, Door, R.H.	1
22	34674	(000000-)	Bottom, Door	1
23	09928	(000000-)	Strip	1
24	16784	(000000-)	Skirt, Door	1
25	34687	(000000-)	Plate, Wear	1

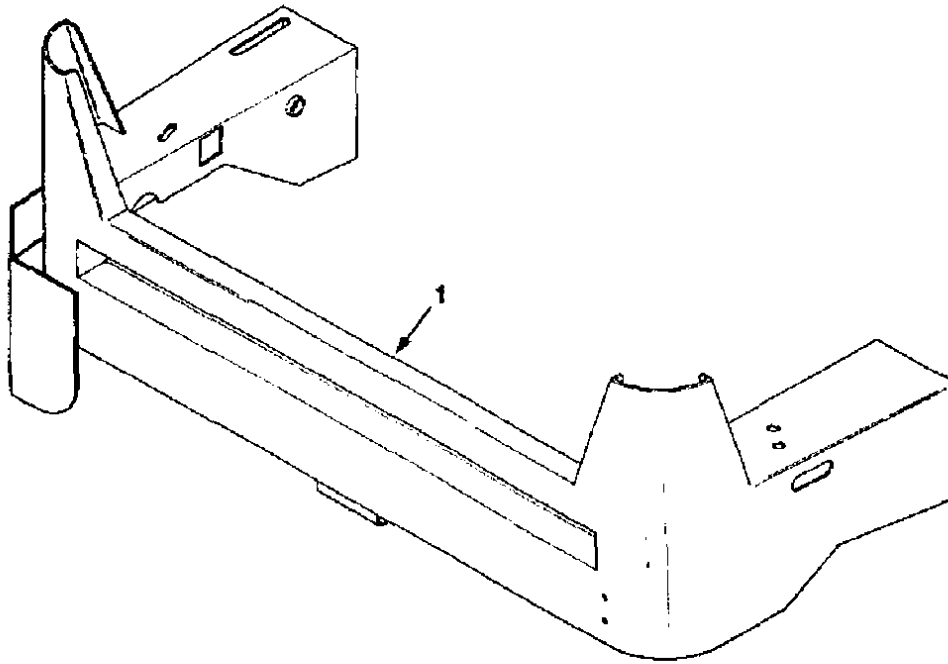


Fig. 7 - Bumper Group, SE

01543

Key	TENNANT® Part No.	Machine Serial Number	Description	Qty.
1	34519	(000000-002641)	Bumper	1
1	16772	(002642-)	Bumper	1

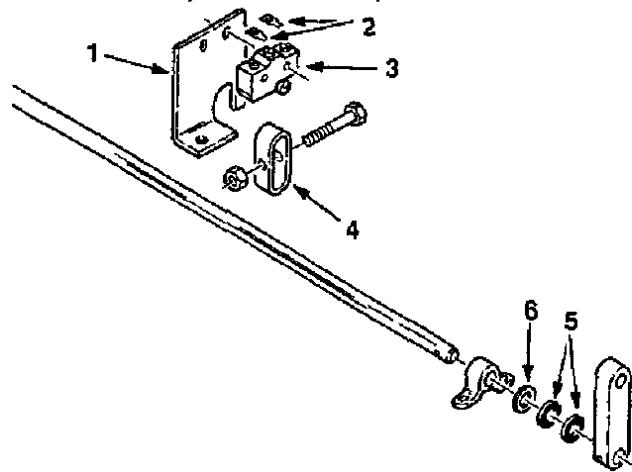


Fig. 8 - Neutral Start Switch Group, SE

01996

Key	TENNANT® Part No.	Machine Serial Number	Description	Qty.
1	34073	(000000-)	Bracket, Switch	1
2	48252	(000000-)	Terminal, Tab	2
3	39563	(000000-)	Switch, Neutral Start	1
4	39855	(000000-)	Bar, Link	1
5	46147	(000000-)	Washer, Neoprene	2
6	32486	(000000-)	Washer	1

NOTE: To identify parts shown but not listed here, see Section 5, Low Dump Model Parts.

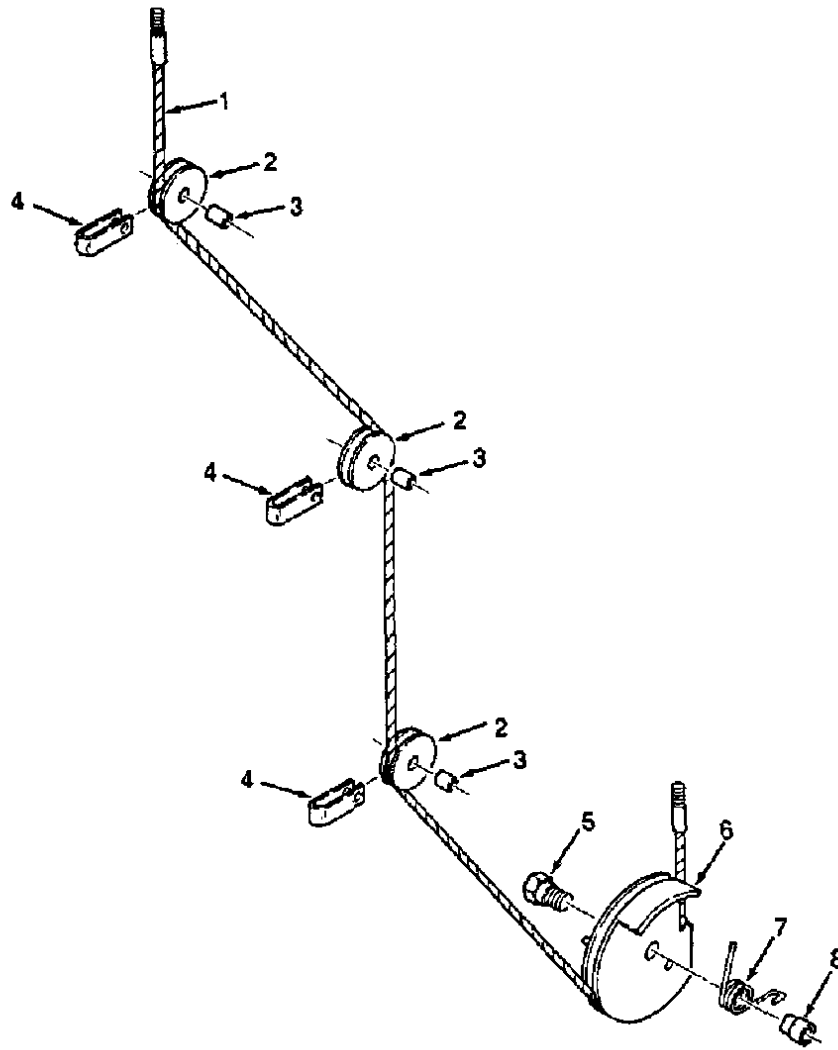


Fig. 9 - Speed Limiter Assembly, SE

01515

Key	TENNANT® Part No.	Machine Serial Number	Description	Qty.
	62683	(000000-)	Speed Limiter Assembly	1
1	62792	(000000-)	Cable Assembly	1
2	46328	(000000-)	Roller, Cable	3
3	01275	(000000-)	Sleeve	3
4	46327	(000000-)	Guide, Cable	3
5	29087	(000000-)	Screw, Shoulder	1
6	62664	(000000-)	Cam, Speed Limiter	1
7	20029	(000000-)	Spring	1
8	62667	(000000-)	Bushing	1

SE MODEL PARTS

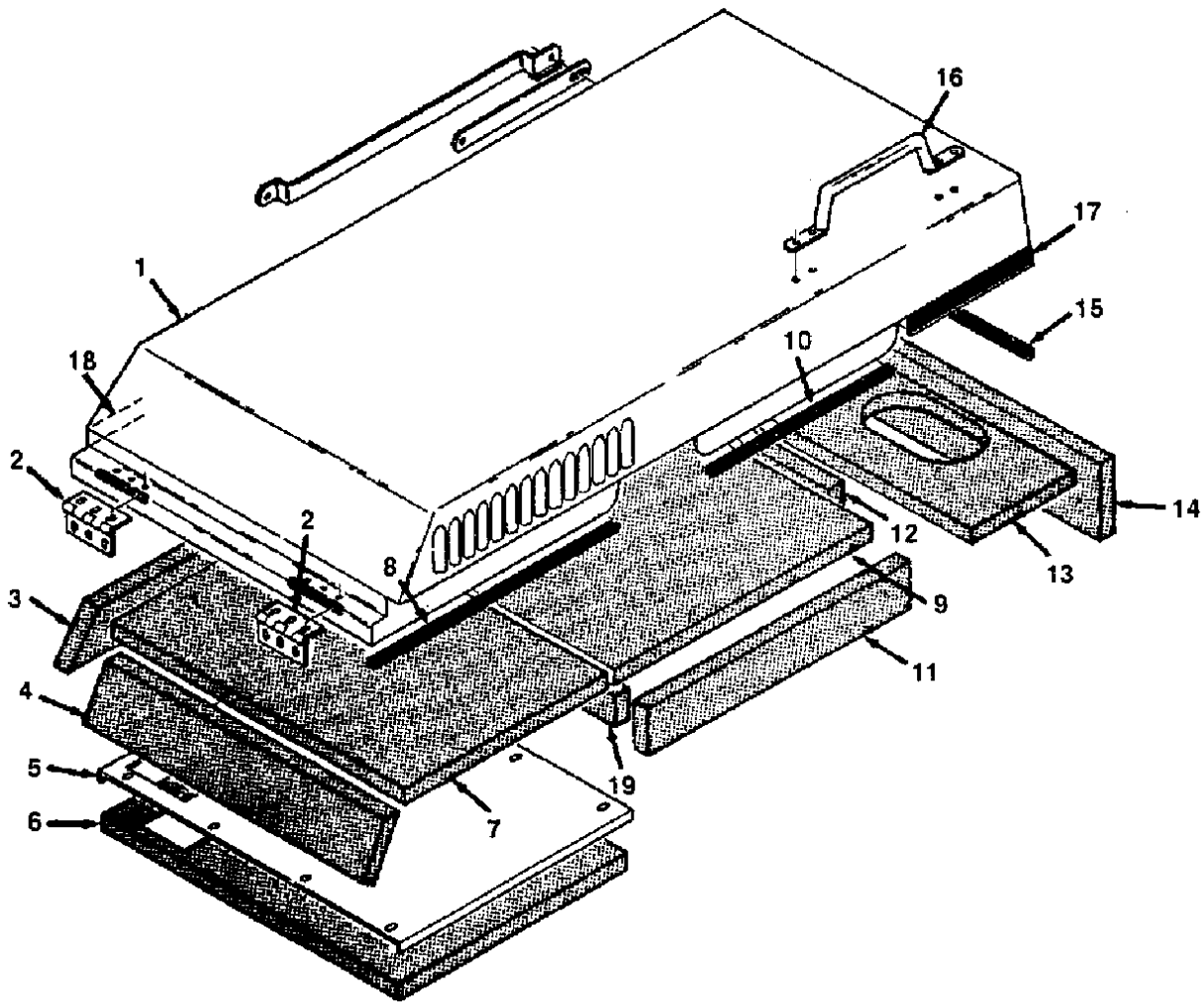


Fig. 10 - Engine Hood Assembly, SE

01538

Key	TENNANT® Part No.	Machine Serial Number	Description	Qty.
1	16844	(000000-)	Engine Hood Assembly	1
2	47974	(000000-)	Hinge, Reversed Type	2
3	39747	(000000-)	Insulation	1
4	39748	(000000-)	Insulation	1
5	34192	(000000-)	Plate, Engine Hood	1
6	34957	(000000-)	Foam, Acoustic	1
7	39746	(000000-)	Insulation	1
8	62170-2	(000000-)	Molding, Rigid, 16.75" (425 mm)	1
9	39745	(000000-)	Insulation	1
10	62170-1	(000000-)	Molding, Rigid, 12.25" (305 mm)	1
11	39743	(000000-)	Insulation	2
12	52843	(000000-)	Insulation	1
13	34934	(000000-)	Foam, Acoustic	1
14	62055	(000000-)	Insulation	1
15	62170	(000000-)	Molding, Rigid, 18.00" (455 mm)	1
16	32822	(000000-)	Handle, Grab	1
17	52960	(000000-)	Tape, Trim	1
18	52961	(000000-)	Tape, Trim	1
19	39744	(000000-)	Insulation	1

NOTE: To identify parts...

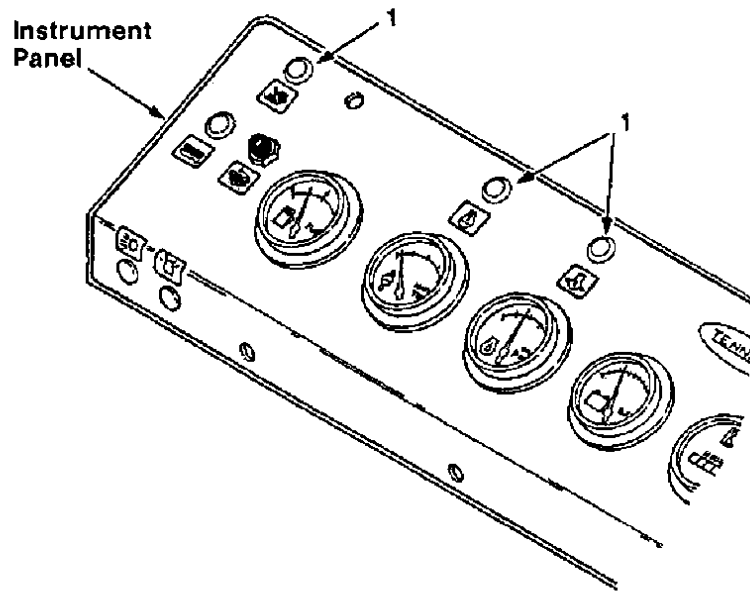


Fig. 11 - Instrument Panel Group, SE

01562

Key	TENNANT® Part No.	Machine Serial Number	Description	Qty.
1	34820	(000000-)	Lamp, Indicator	3

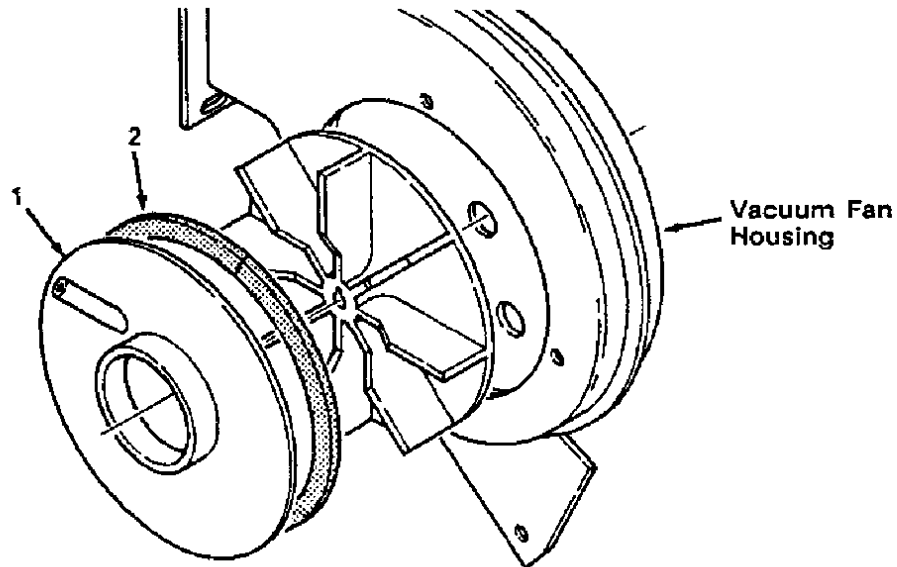


Fig. 12 - Vacuum Fan Group, SE

01561

Key	TENNANT® Part No.	Machine Serial Number	Description	Qty.
1	52924	(000000-)	Duct, Intake	1
2	23542	(000000-)	Seal, Foam Rubber	1

NOTE: To identify parts shown but not listed here, see Section 5, Low Dump Model Parts.

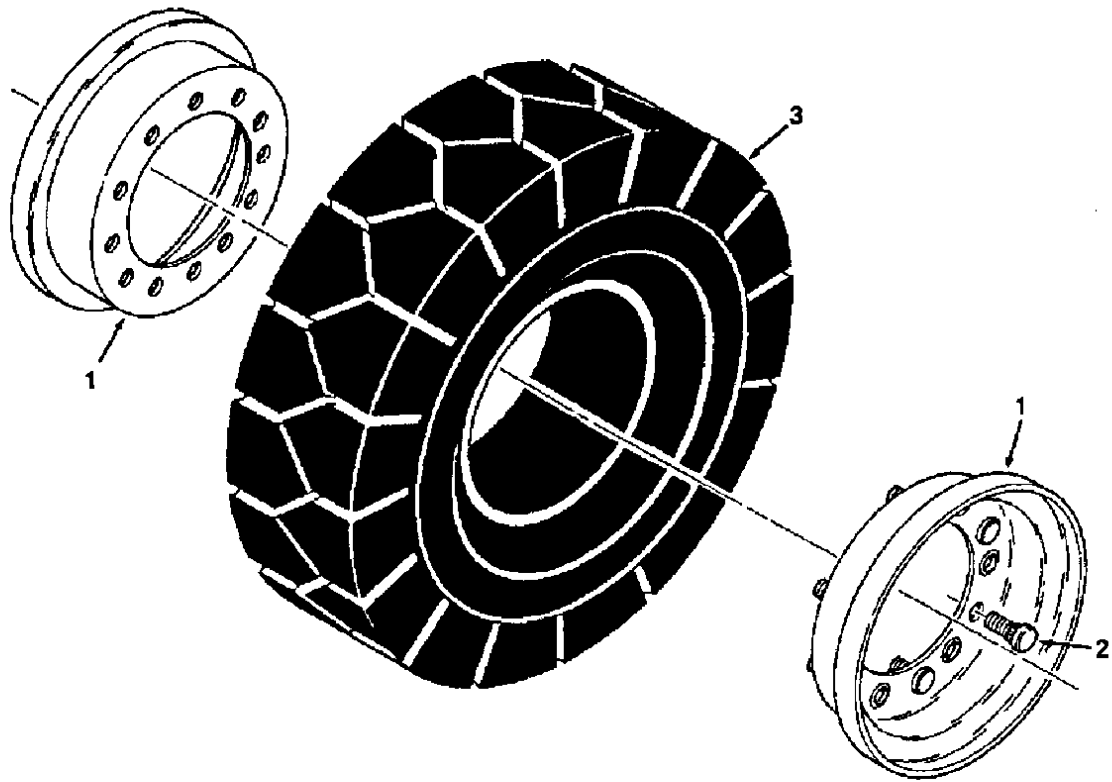


Fig. 13 - Rear Wheel Assembly, SE

01531

Key	TENNANT® Part No.	Machine Serial Number	Description	Qty.
	51705	(000000-)	Tire and Wheel Assembly	1
1	52775	(000000-)	Rim Assembly	1
2	51355	(000000-)	Stud, Wheel	6
3	51711	(000000-)	Tire	1

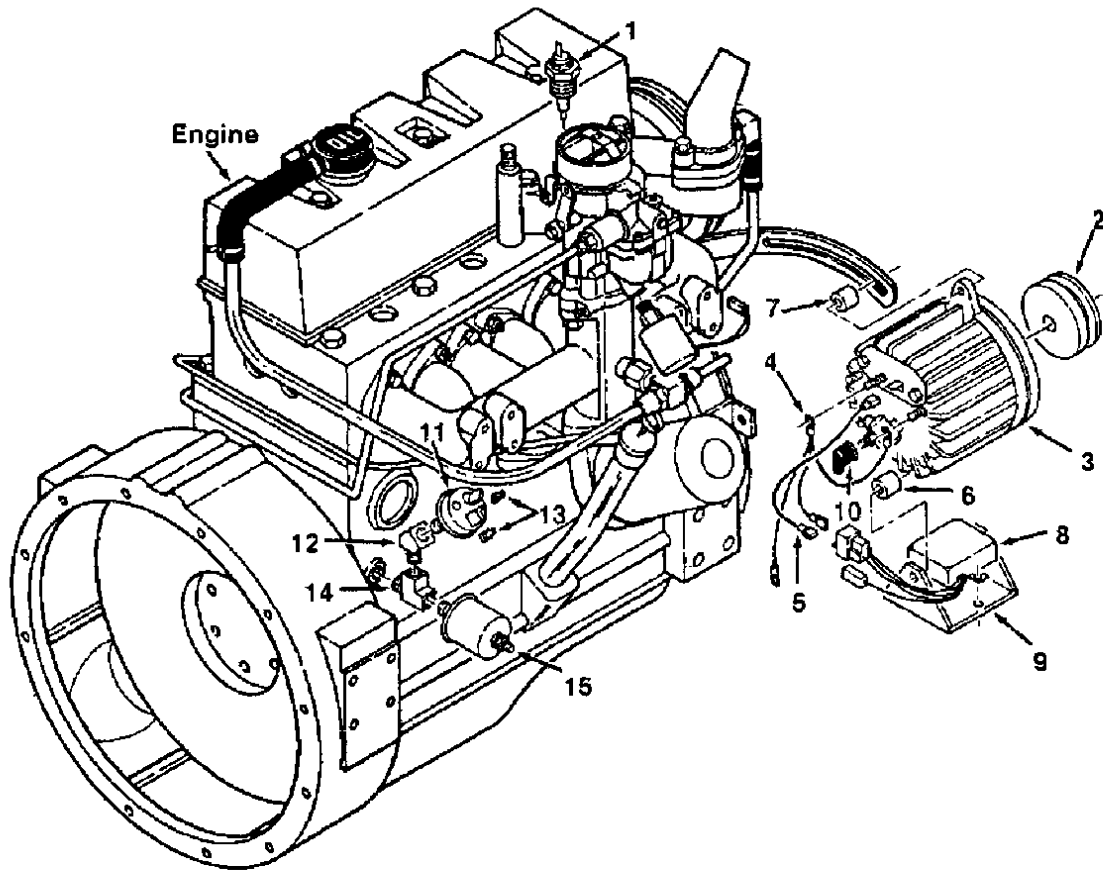


Fig. 14 - Engine Group, SE

01546

Key	TENNANT® Part No.	Machine Serial Number	Description	Qty.
1	25314	(000000-)	Switch, Temperature	1
2	34833	(000000-)	Pulley	1
3	39693-1	(000000-)	Alternator	1
4	34862	(000000-)	Wire Assembly, Regulator/ground	1
5	34863	(000000-)	Wire Assembly, Regulator Field	1
6	34869	(000000-)	Sleeve	1
7	34867	(000000-)	Sleeve	1
8	39693-2	(000000-)	Regulator	1
9	34831	(000000-)	Cradle, Regulator	1
10	34065	(000000-)	Boot	1
11	51805	(000000-)	Switch, Oil Pressure	1
12	24976	(000000-)	Fitting, Elbow, 45°	1
13	68106	(000000-)	Terminal, Tab	2
14	26426	(000000-)	Fitting, Tee	1
15	34808	(000000-)	Sender, Oil Pressure	1

NOTE: To identify parts shown but not listed here, see Section 5, Low Dump Model Parts.

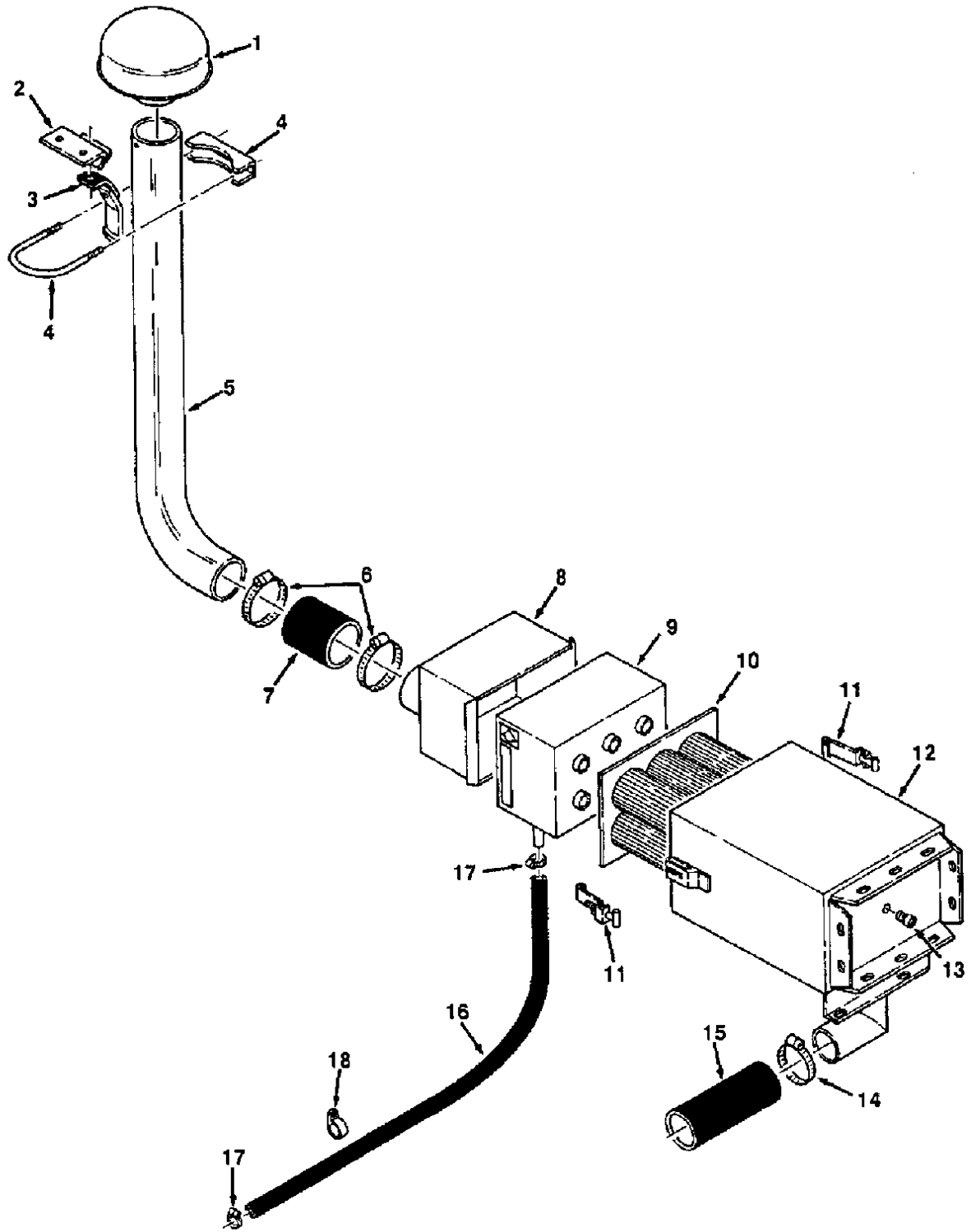


Fig. 15 - Air Cleaner Group, SE

Fig. 15 - Air Cleaner Group, SE

Key	TENNANT® Part No.	Machine Serial Number	Description	Qty.
1	76322	(000000-)	Cap, Intake	1
2	39870	(000000-)	Bracket, Support	1
3	39957	(000000-)	Support, Air Intake Tube	1
4	13888	(000000-)	Clamp, Muffler	1
5	34889	(000000-)	Tube, Air Intake	1
6	43555	(000000-)	Clamp, Worm Drive	2
7	34887	(000000-)	Hose	1
8	34888	(000000-)	Cover, Air Cleaner	1
9	39929-2	(000000-)	Pre-Cleaner, Air	1
10	39929-3	(000000-)	Filter, Air	1
11	49195	(000000-)	Fastener	2
12	34498	(000000-)	Housing, Air Cleaner	1
13	02246	(000000-)	Plug	1
14	22297	(000000-)	Clamp, Worm Drive	1
15	15543-1	(000000-)	Hose	1
16	52922	(000000-)	Hose	1
17	54333	(000000-)	Clamp, Worm Drive	2
18	56094	(000000-)	Clamp, Cable	1

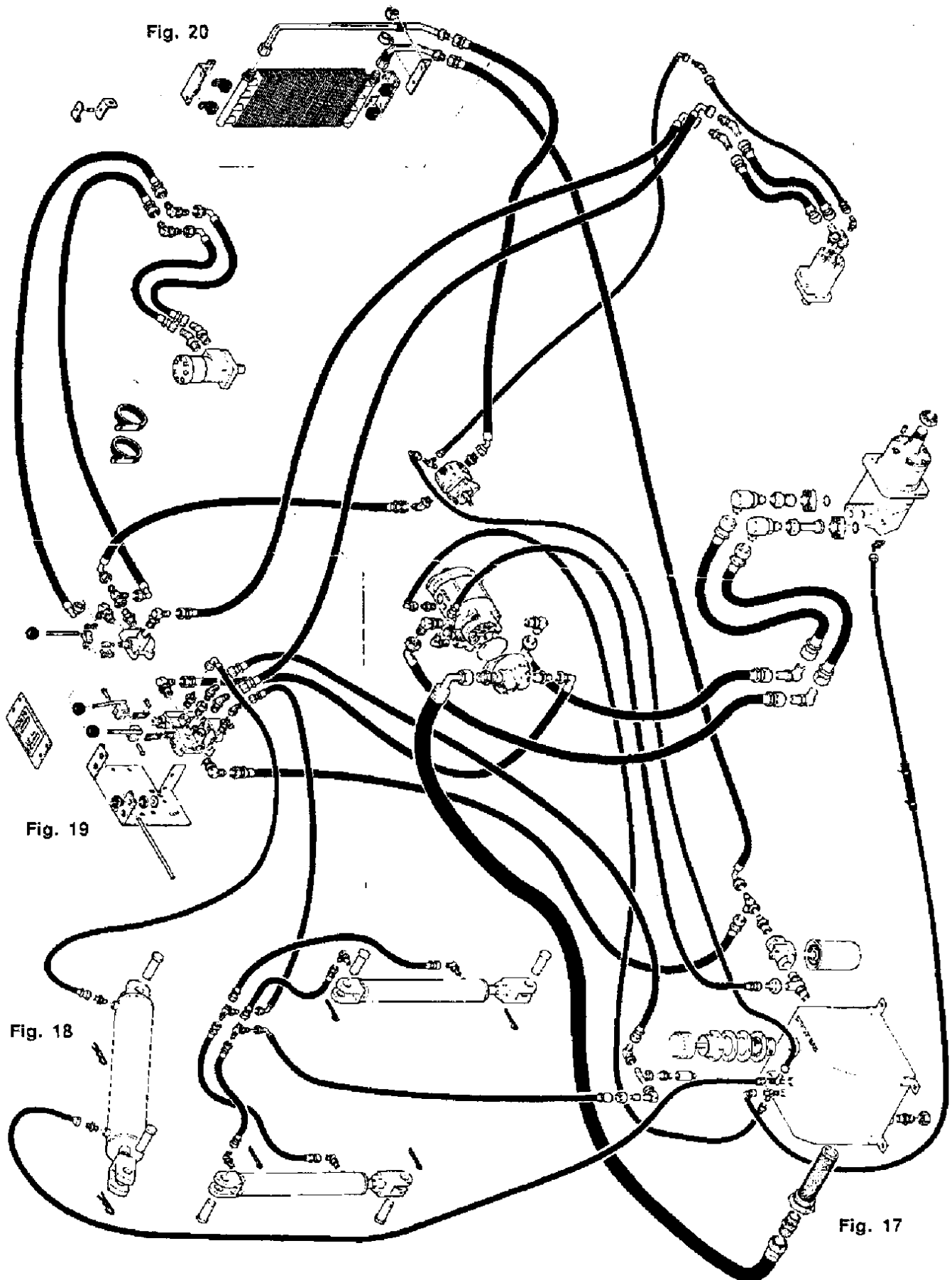


Fig. 16 - Hydraulic System, SE

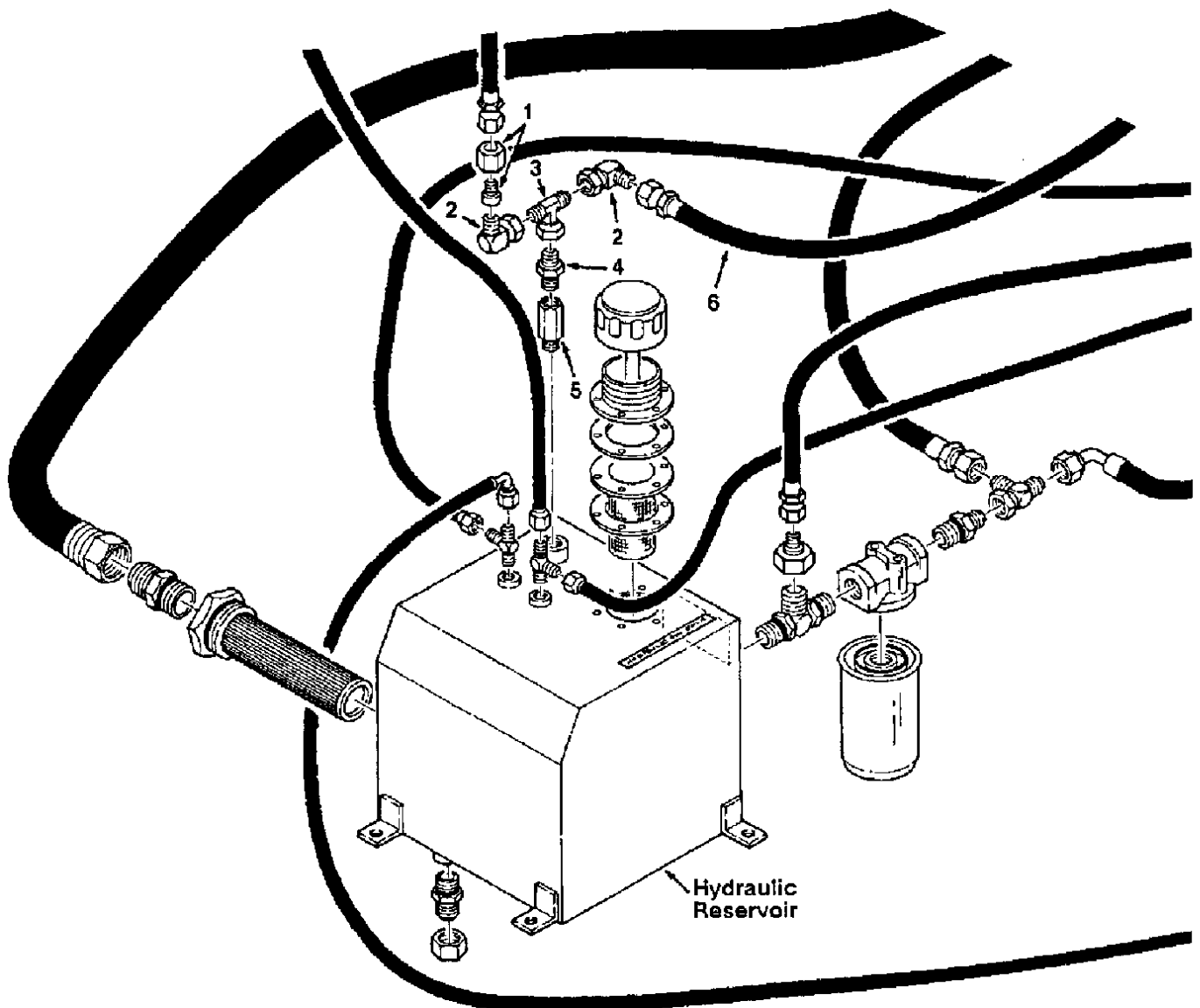


Fig. 17 - Hydraulic Reservoir Group, SE

01653

Key	TENNANT® Part No.	Machine Serial Number	Description	Qty.
1	47752	(000000-)	Fitting, Straight	1
2	47504	(000000-)	Fitting, Elbow	2
3	35586	(000000-)	Fitting, Tee	1
4	56690	(000000-)	Fitting, Straight	1
5	34325	(000000-)	Valve, Hydraulic Relief	1
6	34381	(000000-)	Hose	1

NOTE: To identify parts shown but not listed here, see Section 5, Low Dump Model Parts.

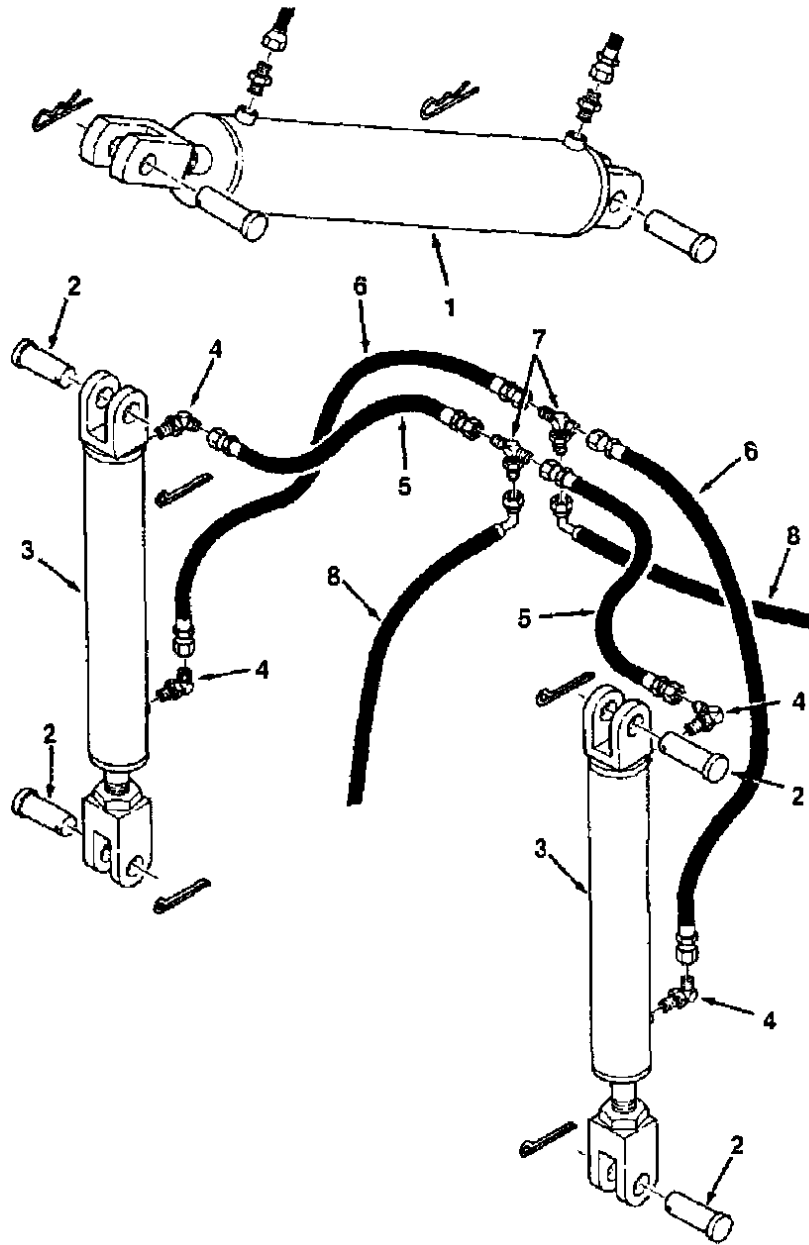


Fig. 18 - Lift and Dump Cylinders Group, SE

01652

Key	TENNANT® Part No.	Machine Serial Number	Description	Qty.
1	34326	(000000-)	Cylinder, Hydraulic, (See Hydraulic Components)	1
2	04733-4	(000000-)	Pin, Clevis	4
3	04443	(000000-)	Cylinder, Hydraulic, (See Hydraulic Components)	2
4	77097	(000000-)	Fitting, Elbow	4
5	34382	(000000-)	Hose	2
6	34380	(000000-)	Hose	2
7	34392	(000000-)	Fitting, Tee	2
8	34379	(000000-)	Hose	2

NOTE: To identify parts shown but not listed here, see Section 5, Low Dump Model Parts.

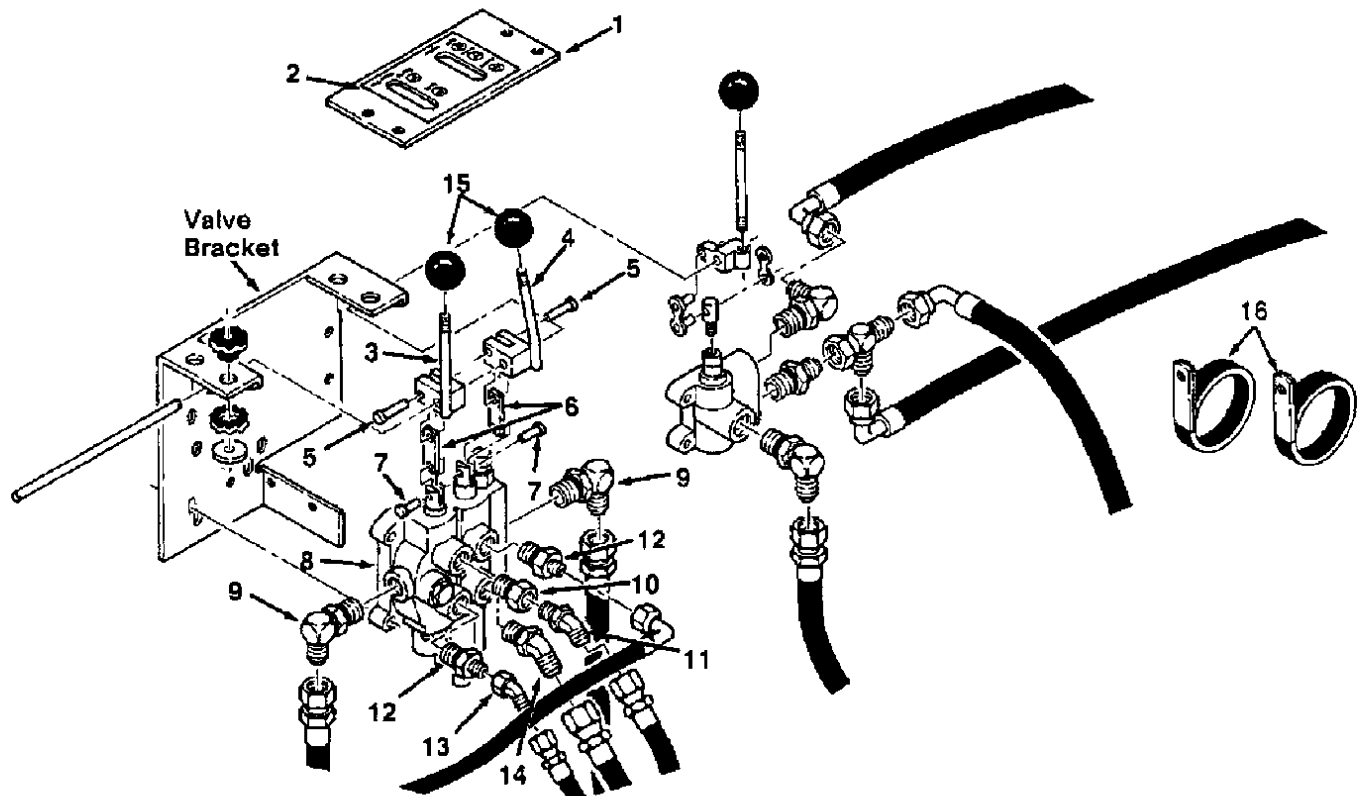


Fig. 19 - Main Control Valve Group, SE

01654

Key	TENNANT® Part No.	Machine Serial Number	Description	Qty.
1	62587	(000000-)	Plate, Lintel Cover	1
2	34141	(000000-)	Label, Hopper and Dump Door	1
3	34318	(000000-)	Lever, Front Valve Spool	1
4	34317	(000000-)	Lever, Rear Valve Spool	1
5	15173	(000000-)	Pin, Clevis	2
6	32751	(000000-)	Strip	2
7	14605	(000000-)	Pin, Clevis	2
8	34319	(000000-)	Valve, (See Hydraulic Components)	1
9	44868	(000000-)	Fitting, Elbow	2
10	47637	(000000-)	Fitting, Straight	1
11	47522	(000000-)	Fitting, Elbow, 45°	1
12	55686	(000000-)	Fitting, Straight	2
13	68441	(000000-)	Fitting, Elbow, 45°	1
14	42226	(000000-)	Fitting, Elbow, 45°	1
15	26565	(000000-)	Knob	2
16	34312	(000000-)	Clamp, Loop	2

NOTE: To identify parts shown but not listed here, see Section 5, Low Dump Model Parts.

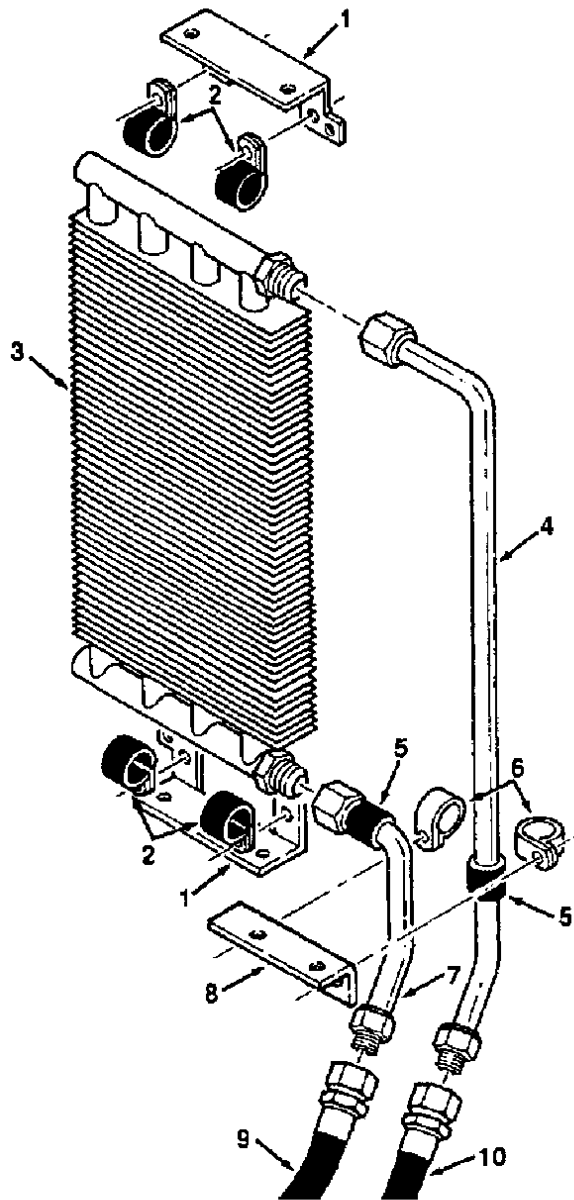


Fig. 20 - Hydraulic Fluid Cooler, SE

01666

Key	TENNANT® Part No.	Machine Serial Number	Description	Qty.
1	34986	(000000-)	Bracket, Cooler	2
2	40678-1	(000000-)	Clamp, Cable	4
3	69480	(000000-)	Cooler, Fluid	1
4	34947	(000000-)	Tube	1
5	54492	(000000-)	Sleeve	2
6	55495	(000000-)	Clamp, Cable	2
7	34943	(000000-)	Cooler Tube Assembly	1
8	34944	(000000-)	Angle, Clamp	1
9	34371	(000000-)	Hose	1
10	34370	(000000-)	Hose	1

CONTENTS

	Page
ORDERING REPAIR PARTS	13-3
Fig. 1 - Flashing Light Kit, Engine Cover ..	13-4
Fig. 2 - Flashing Light Kit, Overhead Guard	13-5
Fig. 3 - Flashing Light Kit, Cab	13-6
Fig. 4 - Revolving Light Kit, Engine Cover .	13-7
Fig. 5 - Revolving Light Kit, Overhead Guard	13-8
Fig. 6 - Revolving Light Kit, Cab	13-9
Fig. 7 - Operating Lights Kit, Low Dump ..	13-10
Fig. 8 - Operating Lights Kit, Multi-Level Dump, AA, SE	13-12
Fig. 9 - Vacuum Wand Kit, Low Dump, Multi-Level Dump, SE	13-14
Fig. 10 - Air Bypass Kit	13-15
Fig. 11 - Debris Deflector Kit, Low Dump, Multi-Level Dump, SE	13-16
Fig. 12 - Air Cleaner Kit, Low Dump, Multi-Level Dump, AA	13-17
Fig. 13 - Cab Kit	13-18
Fig. 14 - Heater Defroster Kit, Low Dump, Multi-Level Dump, AA	13-20
Fig. 15 - Heater Defroster Kit, SE	13-21
Fig. 16 - Snow Blade Kit	13-22
Fig. 17 - Snow Blade Hydraulics Kit	13-24
Fig. 18 - Hopper Dolly Kit, Low Dump, Multi-Level Dump, AA	13-25
Fig. 19 - Hopper Dolly Kit, SE	13-26
Fig. 20 - Fire Extinguisher Kit	13-27
Fig. 21 - Protectoseal Fuel Tank Cap Kit ...	13-27
Fig. 22 - Speed Control Kit	13-28
Fig. 23 - Super Rib Tire Kit, Low Dump	13-28
Fig. 24 - Rear Wheel Kit, Foam Filled, Low Dump	13-29
Fig. 25 - Rear Wheel Kit, Low Dump	13-29
Fig. 26 - Side Brush Dust Control Group, Low Dump	13-30
Fig. 27 - Side Brush Dust Control Group, Multi-Level Dump	13-32
Fig. 28 - Side Brush Dust Control Group, SE	13-34
Fig. 29 - Bumper Group, Side Brush Dust Control, SE	13-36
Fig. 30 - Air Filter Intake Kit	13-37
Fig. 31 - Air Filter Intake Kit, Diesel	13-38
Fig. 32 - High Rise Air Intake Filter Kit	13-39
Fig. 33 - Back-Up Alarm Kit	13-40
Fig. 34 - Urethane Tire Kit	13-41

NOTE: SECTION 13, ACCESSORIES, lists repair parts included as part of the available accessories.

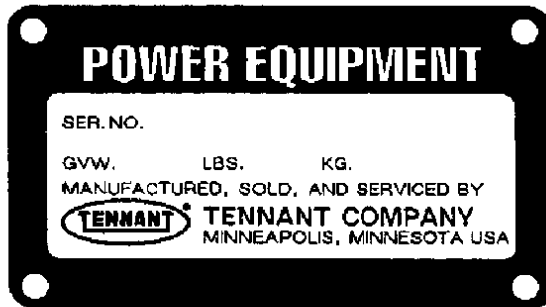
ORDERING REPAIR PARTS

The components used in this machine have been carefully selected for performance and safety. Use only Tennant Company specified or equivalent parts.

To receive prompt service in filling of your parts orders, please direct all orders for parts with Tennant Company part numbers to the Tennant Company, and all orders for parts with vendor part numbers to the local supplier of the respective vendor.

When ordering parts, please furnish all of the following information:

1. Machine model number - shown on the machine data plate.



2. Machine serial number - shown on the machine data plate.
3. Power source - gasoline, LPG, diesel, electric.
4. Company name.
5. Shipping address.
6. Billing address.
7. Name, first and last - of person ordering parts.
8. Telephone number.
9. Purchase order number.
10. Part number, description, and quantity - of each item on the order.
11. Customer ID Number.

Do not order parts by key number or the figure number of the illustrated parts. Indented items indicate parts of assemblies. Standard hardware is furnished only when part of a purchased assembly. Please get hardware from a local hardware supplier.

If the old part cannot be identified, send it to us with the quantity needed specified on the order.

Any claim for loss or damage to a shipment in transit should be filed promptly against the transportation company making the delivery. Shipments will be complete unless the packing list or order acknowledgement indicate items back ordered.

If parts received are suspected to be incorrect or defective, please write, wire, or phone the Tennant Company representative from whom you ordered the part. They will give authorization for return and/or handle replacement shipments when required.

SERIAL NUMBER INFORMATION EXPLANATION

Serial number listings are shown to indicate on which machines each part can be used. These listings are explained by the following examples:

(000000-) The part can be used on all machines.

(003342-) The part can be used on all machines beginning with the serial number listed.

(000000-004320) The part can be used on all machines up to and including serial number listed.

(004321-005678) The part can be used on all machines between and including the serial numbers listed.

Where xxxxx's are listed in place of a serial number, it indicates a change was made but the exact serial number had not been established when the catalog went to press.

SI UNITS OF MEASURE
(INTERNATIONAL SYSTEM)

FASTENER STRENGTH IDENTIFICATION

Fasteners required to have high-strength qualities equivalent to SAE Grade 8 are identified throughout this catalog by the description GR 8. Unless identified by this description, all standard fasteners are SAE Grade 5.

(Specifications and design subject to change without notice.)

Metric equivalents have been included, where applicable, throughout this parts catalog.

ACCESSORIES

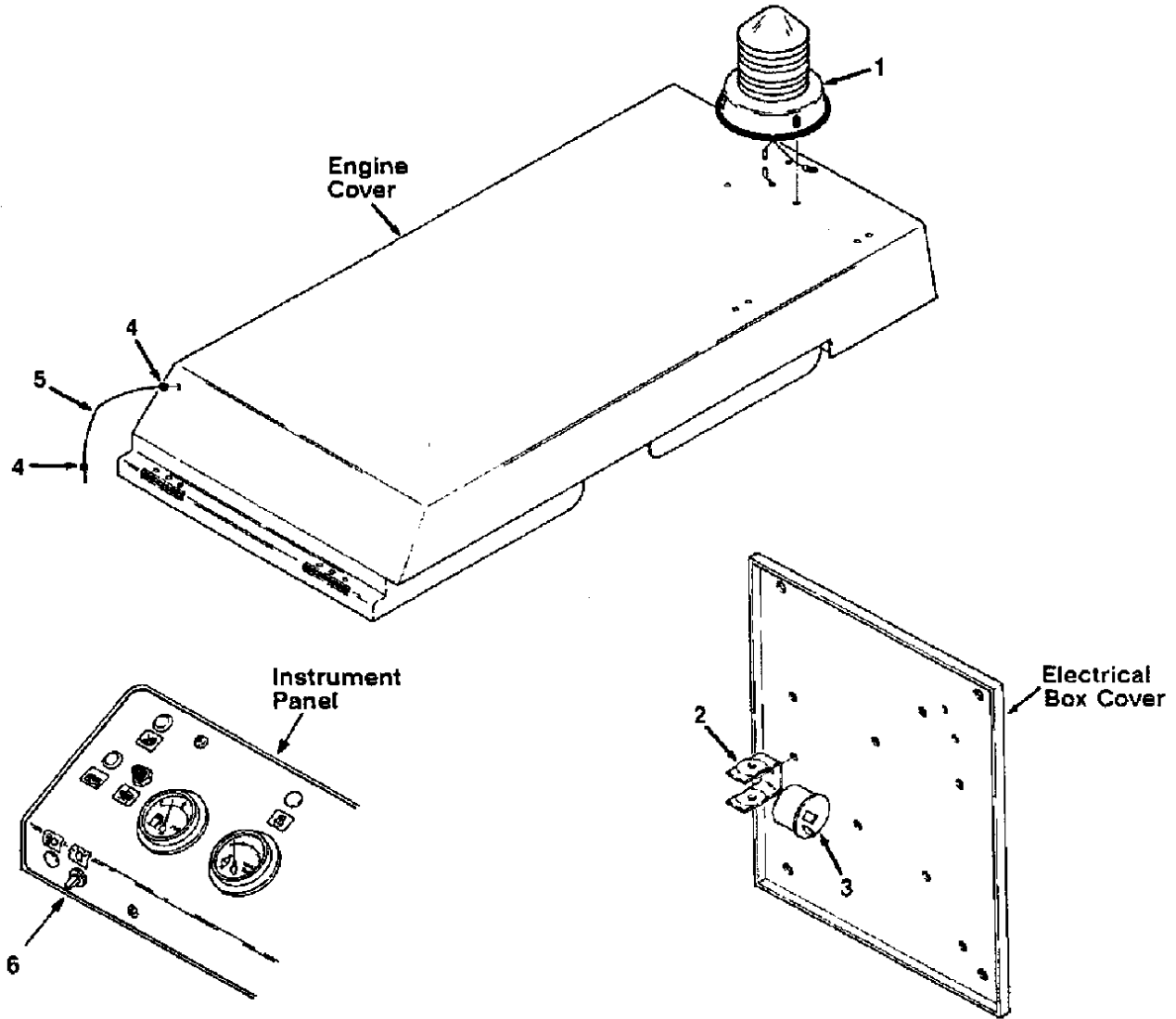


Fig. 1 - Flashing Light Kit, Engine Cover

01634

Key	TENNANT® Part No.	Machine Serial Number	Description	Qty.
1	34450	(000000-)	Flashing Light Kit, Engine Cover	1
	34475	(000000-)	Light Assembly, Flashing, Red	1
	22640	(000000-)	Lamp	1
	47535-1	(000000-)	Lens, Flashing Light, Red	1
2	24576-1	(000000-)	Bracket, Flasher	1
	24576	(000000-)	Flasher	1
4	01574	(000000-)	Grommet	2
5	34844	(000000-)	Wire Harness	1
6	63266	(000000-)	Switch	1
	09384	(000000-)	Clamp, Cable	1
	26395-2	(000000-)	Clamp, Cable	1
	34476	(000000-)	Light Assembly, Flashing, Amber	1
	47536-1	(000000-)	Lens, Flashing Light, Amber	1
	34477	(000000-)	Light Assembly, Flashing, Blue	1
	47537-1	(000000-)	Lens, Flashing Light, Blue	1

NOTE: To identify parts shown but not listed here, see Section 5, Low Dump Model Parts.

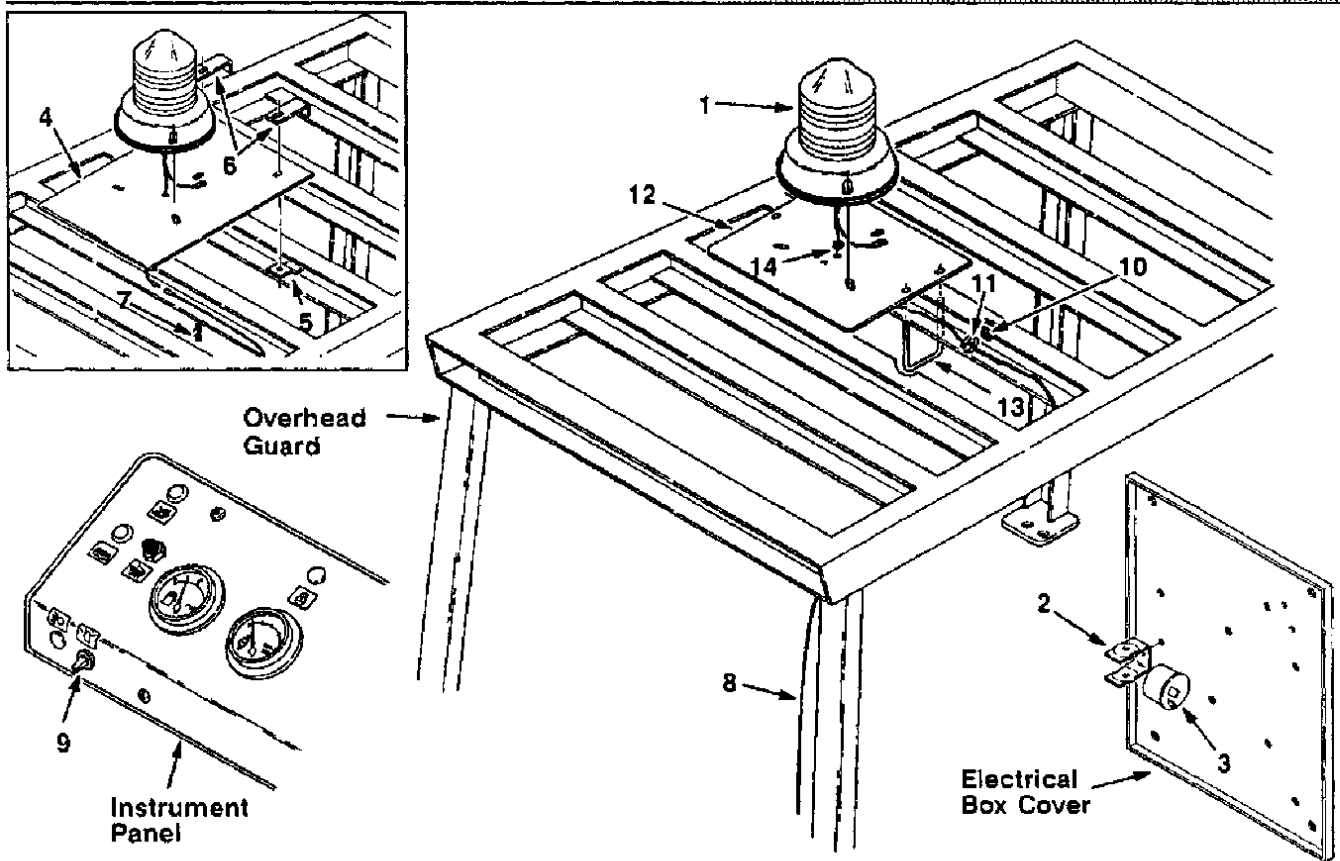


Fig. 2 - Flashing Light Kit, Overhead Guard

01636

Key	TENNANT® Part No.	Machine Serial Number	Description	Qty.
1	34456	(000000-)	Flashing Light Kit, Overhead Guard	1
	34475	(000000-)	Light Assembly, Flashing, Red	1
	22640	(000000-)	Lamp	1
	47535-1	(000000-)	Lens, Flashing Light, Red	1
2	24576-1	(000000-)	Bracket, Flasher	1
	3	24576	(000000-)	Flasher
4	SK2714	(000000-002877)	Plate, Light Mounting	1
5	62045	(000000-002877)	Clip	2
6	62149	(000000-002877)	Bracket, L	2
7	49262	(000000-002877)	Clamp, Conduit	5
8	34845	(000000-)	Wire Harness	1
9	63266	(000000-)	Switch	1
10	55248	(002878-)	Mount, Cable Tie	5
11	49266	(002878-)	Tie, Cable	5
12	33782	(002878-)	Plate, Light Mounting	1
13	33783	(002878-)	U-Bolt	1
14	46314	(002878-)	Grommet	1
	01574	(002878-)	Grommet	1
	34476	(000000-)	Light Assembly, Flashing, Amber	1
	47536-1	(000000-)	Lens, Flashing Light, Amber	1
	34477	(000000-)	Light Assembly, Flashing, Blue	1
	47537-1	(000000-)	Lens, Flashing Light, Blue	1

NOTE: To identify parts shown but not listed here, see Section 5, Low Dump Model Parts.

ACCESSORIES

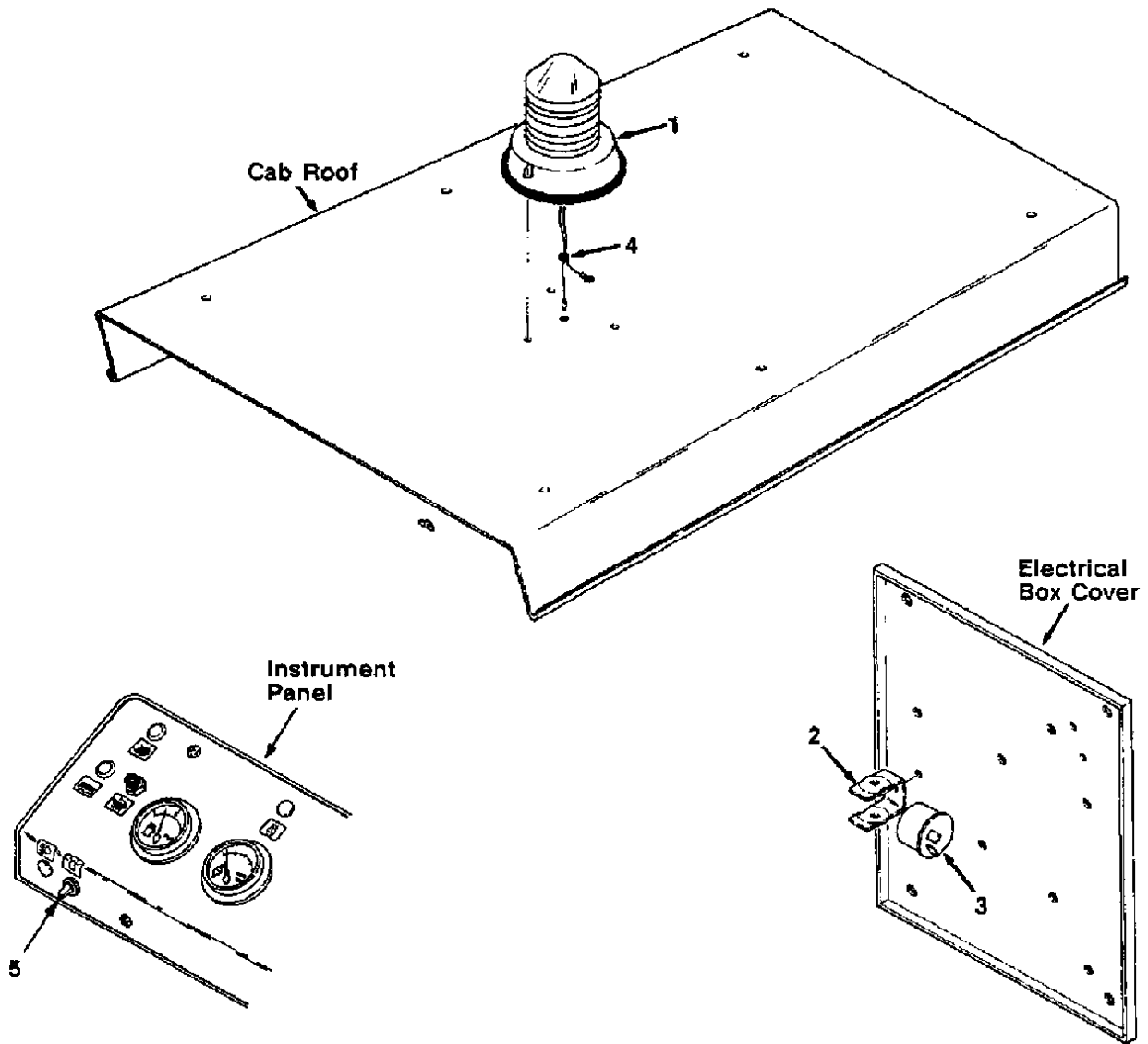


Fig. 3 - Flashing Light Kit, Cab

01637

Key	TENNANT® Part No.	Machine Serial Number	Description	Qty.
1	34458	(000000-)	Flashing Light Kit, Cab	1
	34475	(000000-)	Light Assembly, Flashing, Red	1
	22640	(000000-)	Lamp	1
	47535-1	(000000-)	Lens, Flashing Light, Red	1
2	24576-1	(000000-)	Bracket, Flasher	1
	24576	(000000-)	Flasher	1
3	55248	(000000-)	Mount, Cable Tie	3
	49266	(000000-)	Tie, Cable	3
	01574	(000000-)	Grommet	1
5	63266	(000000-)	Switch	1
	34476	(000000-)	Light Assembly, Flashing, Amber	1
	47536-1	(000000-)	Lens, Flashing Light, Amber	1
	34477	(000000-)	Light Assembly, Flashing, Blue	1
	47537-1	(000000-)	Lens, Flashing Light, Blue	1

NOTE: To identify parts shown but not listed here, see Section 5, Low Dump Model Parts.

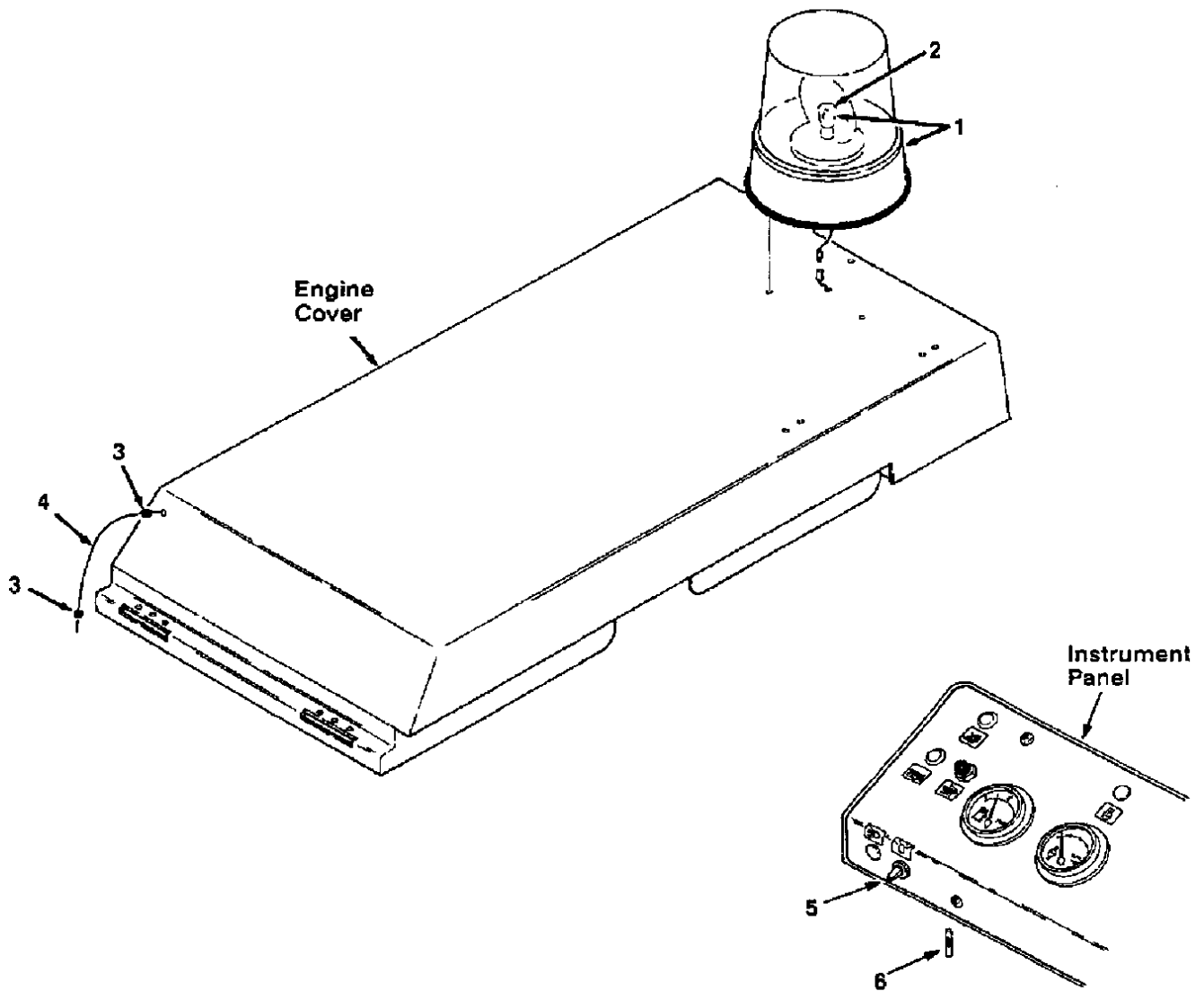


Fig. 4 - Revolving Light Kit, Engine Cover

01635

Key	TENNANT® Part No.	Machine Serial Number	Description	Qty.
1	34453	(000000-)	Revolving Light Kit, Engine Cover	1
	34478	(000000-)	Light Assembly, Revolving, Red	1
	16421	(000000-)	Lens, Revolving Light, Red	1
	16511	(000000-)	Bulb	1
3	01574	(000000-)	Grommet	2
4	34844	(000000-)	Wire Harness	1
5	63266	(000000-)	Switch	1
6	15006	(000000-)	Terminal	1
	09384	(000000-)	Clamp, Cable	1
	26395-2	(000000-)	Clamp, Cable	1
	34479	(000000-)	Light Assembly, Revolving, Amber	1
	16423	(000000-)	Lens, Revolving Light, Amber	1
	34480	(000000-)	Light Assembly, Revolving, Blue	1
	16422	(000000-)	Lens, Revolving Light, Blue	1

NOTE: To identify parts shown but not listed here, see Section 5, Low Dump Model Parts.

ACCESSORIES

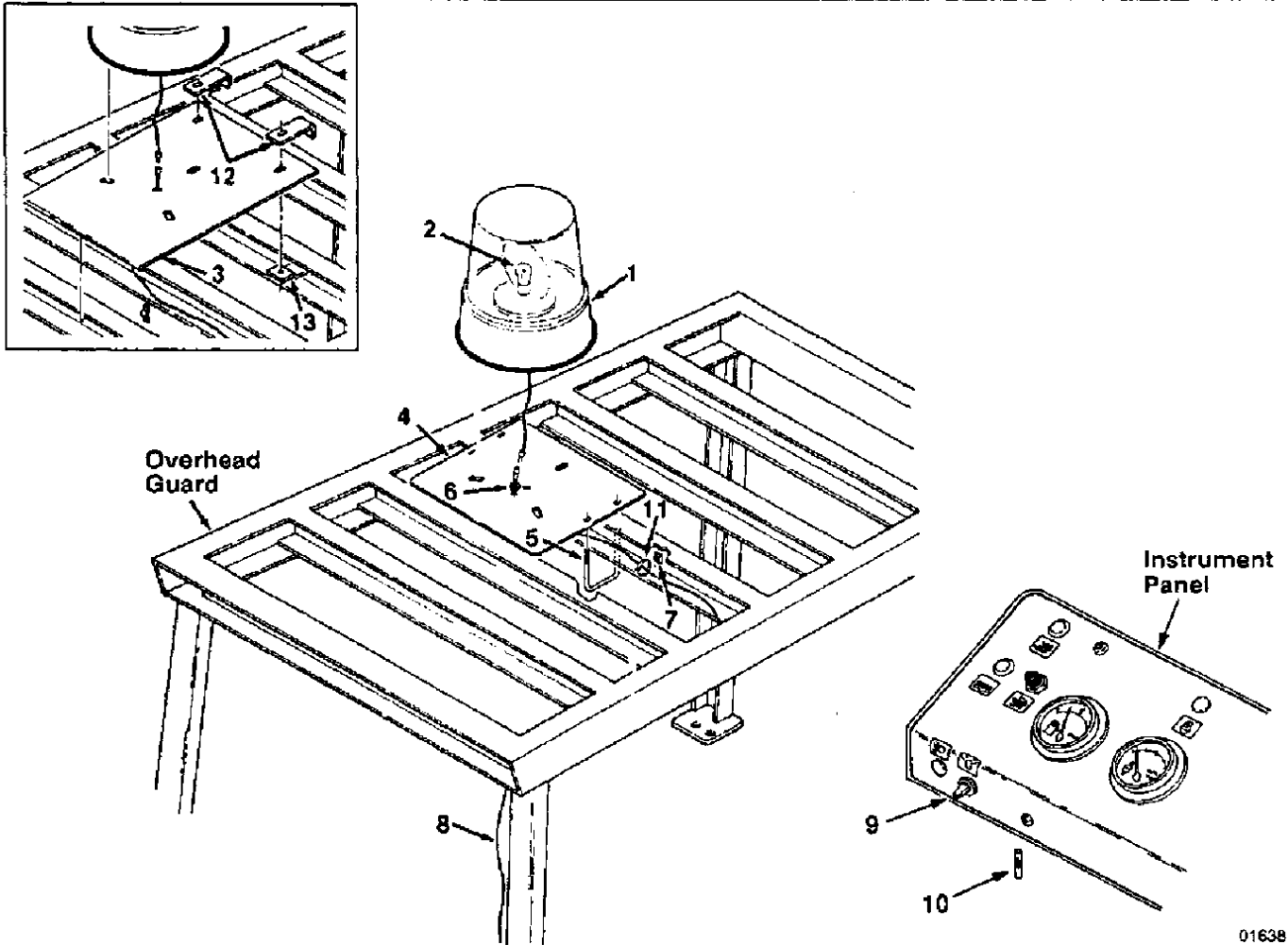


Fig. 5 - Revolving Light Kit, Overhead Guard

01638

Key	TENNANT® Part No.	Machine Serial Number	Description	Qty.
1	34460	(000000-)	Revolving Light Kit, Overhead Guard	1
	34478	(000000-)	Light Assembly, Revolving, Red	1
	16421	(000000-)	Lens, Revolving Light, Red	1
2	16511	(000000-)	Bulb	1
3	SK2714	(000000-002877)	Replacement Kit, Light Mounting	1
4	33782	(002878-)	Plate, Light Mounting	1
5	33783	(002878-)	U-Bolt	2
6	01574	(002878-)	Grommet	1
7	55248	(002878-)	Mount, Cable Tie	5
8	34845	(000000-)	Wire Harness	1
9	63266	(000000-)	Switch	1
10	15006	(000000-)	Terminal	1
11	49266	(002878-)	Cable Tie	5
12	62149	(000000-002877)	Bracket, L	2
13	62045	(000000-002877)	Clip	2
	34479	(000000-)	Light Assembly, Revolving, Amber	1
	16423	(000000-)	Lens, Revolving Light, Amber	1
	34480	(000000-)	Light Assembly, Revolving, Blue	1
	16422	(000000-)	Lens, Revolving Light, Blue	1

NOTE: To identify parts shown but not listed here, see Section 5, Low Dump Model Parts.

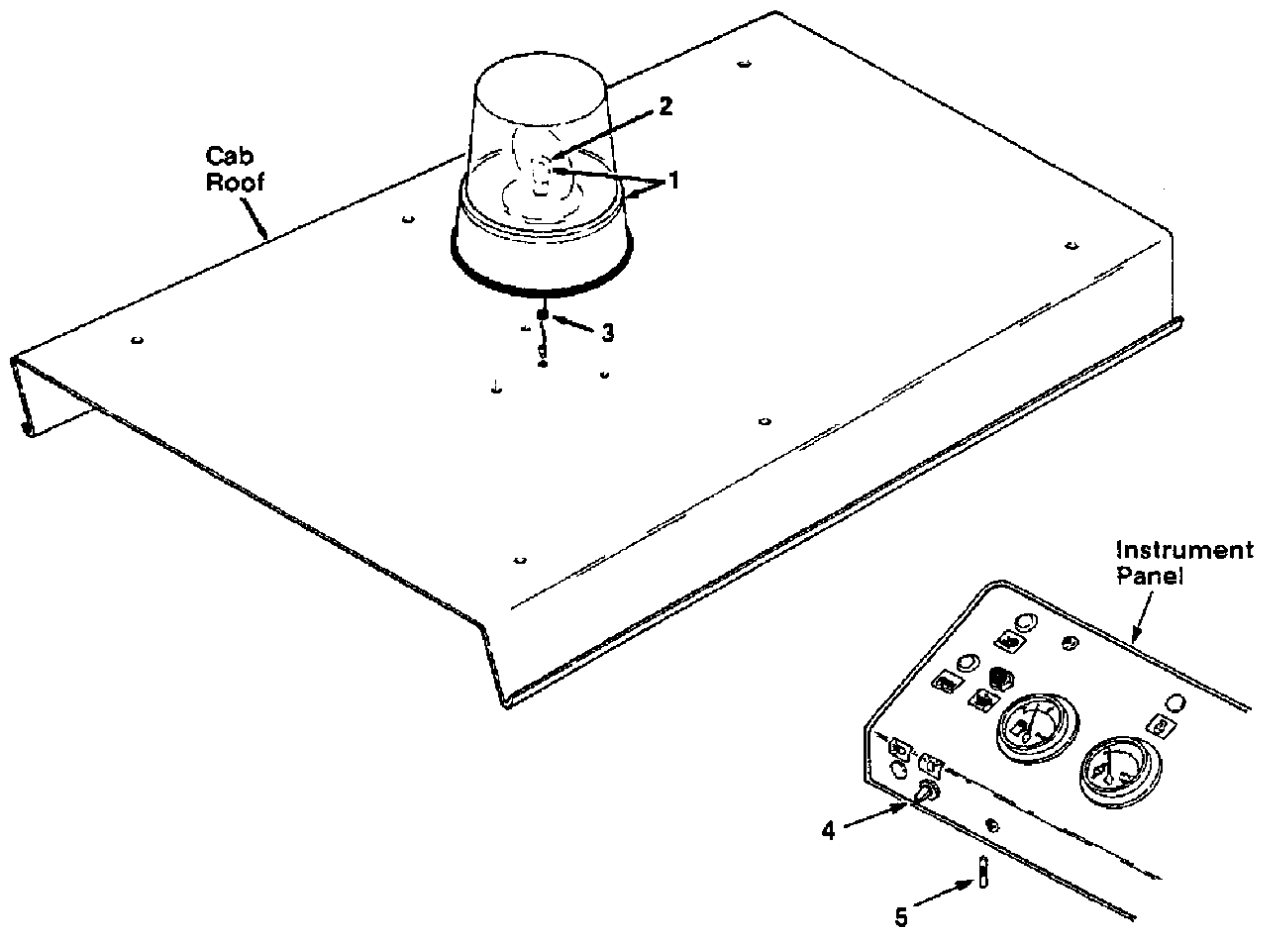


Fig. 6 - Revolving Light Kit, Cab

01639

Key	TENNANT® Part No.	Machine Serial Number	Description	Qty.
	34462	(000000-)	Revolving Light Kit, Cab	1
1	34478	(000000-)	Light Assembly, Revolving, Red	1
	16421	(000000-)	Lens, Revolving Light, Red	1
2	16511	(000000-)	Bulb	1
3	01574	(000000-)	Grommet	1
	55248	(000000-)	Mount, Cable Tie	3
	49266	(000000-)	Tie, Cable	3
4	63266	(000000-)	Switch	1
5	15006	(000000-)	Terminal	1
	34479	(000000-)	Light Assembly, Revolving, Amber	1
	16423	(000000-)	Lens, Revolving Light, Amber	1
	34480	(000000-)	Light Assembly, Revolving, Blue	1
	16422	(000000-)	Lens, Revolving Light, Blue	1

NOTE: To identify parts shown but not listed here, see Section 5, Low Dump Model Parts.

ACCESSORIES

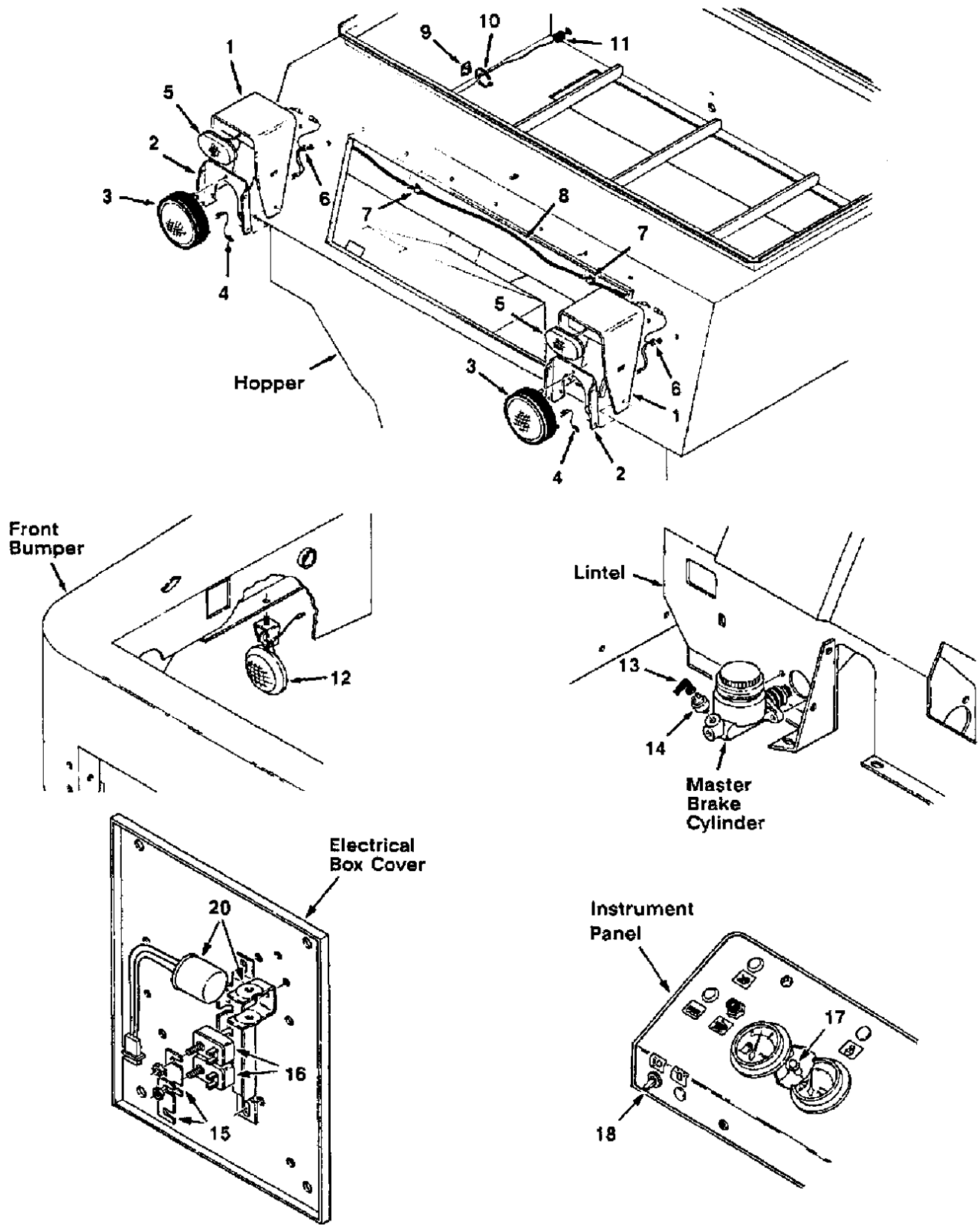


Fig. 7 - Operating Lights Kit, Low Dump

NOTE: To identify parts shown but not listed here, see Section 5, Low Dump Model Parts.

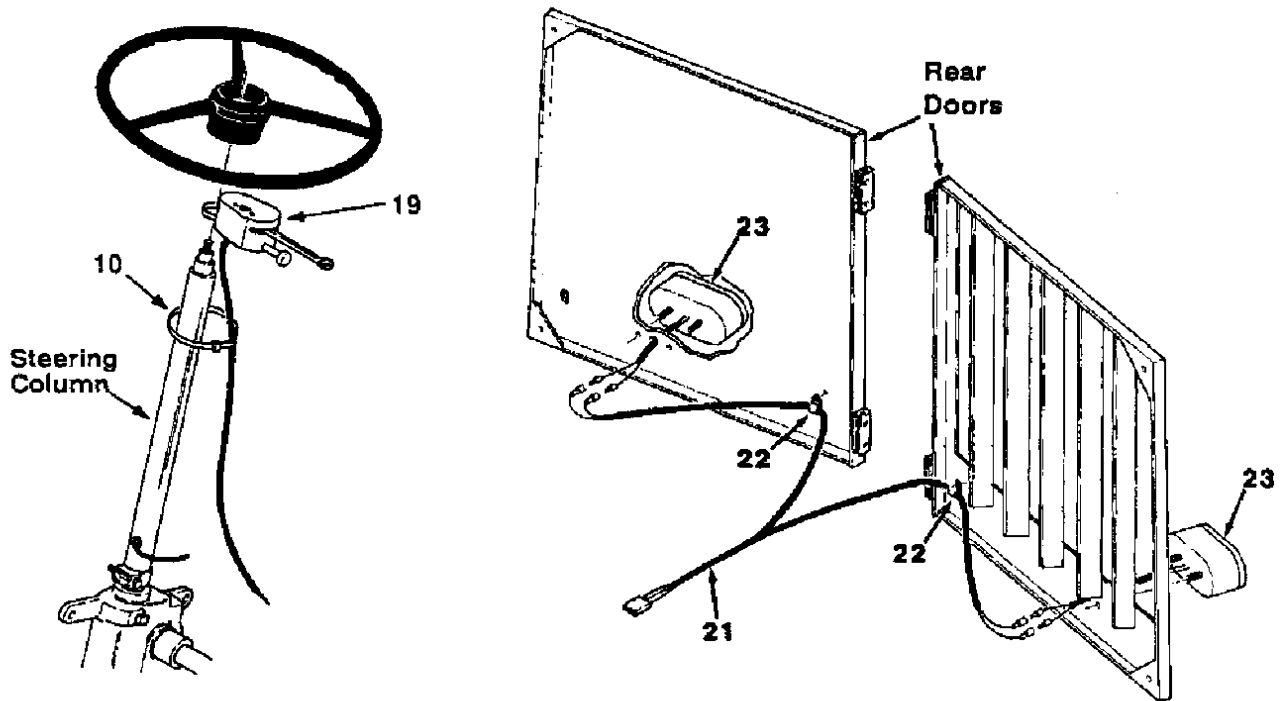


Fig. 7 - Operating Lights Kit, Low Dump

01633

Key	TENNANT® Part No.	Machine Serial Number	Description	Qty.
	34448	(000000-)	Operating Lights Kit	1
1	34700	(000000-)	Wrap, Headlight	2
2	46110	(000000-)	Plate, Headlight	2
3	51569	(000000-)	Lamp Assembly, Headlight	2
	10801	(000000-)	Lamp	1
4	34872	(000000-)	Ground Wire, Headlight	2
5	34848	(000000-)	Light Assembly, Turn Signal	2
6	10632-20	(000000-)	Grommet	2
7	46236	(000000-)	Clamp, Cable	2
8	34828	(000000-)	Wire Harness, Headlight	1
9	55248	(000000-)	Mount, Cable Tie	2
10	49266	(000000-)	Tie, Cable, 6.75" (170 mm)	8
11	29232	(000000-)	Strain Relief	2
12	34473	(000000-)	Spotlight Assembly	1
	32827	(000000-)	Bulb	1
13	18342	(000000-)	Protector	1
14	13959	(000000-)	Switch	1
15	34843	(000000-)	Buss Bar, Circuit Breaker	2
16	55255	(000000-)	Circuit Breaker, 15 A	2
17	34847	(000000-)	Light Assembly, Gauge	4
18	63266	(000000-)	Switch	1
19	25151	(000000-)	Turn Signal Assembly	1
20	31922	(000000-)	Flasher, Signal	1
21	34829	(000000-)	Wire Harness, Taillight	1
22	09385	(000000-)	Clamp, Cable	2
23	55274	(000000-)	Taillight Assembly	2
	45780	(000000-)	Bulb	1

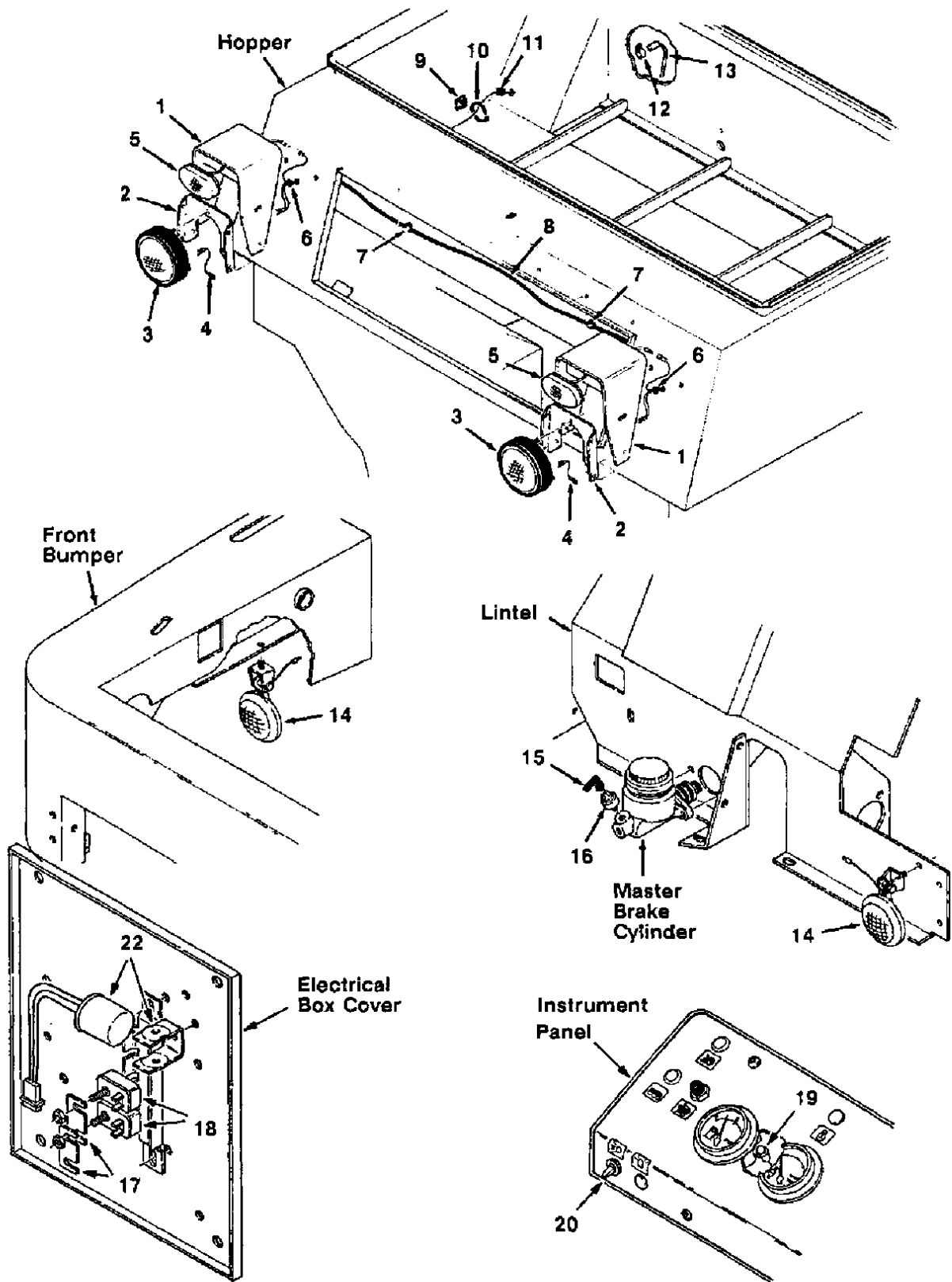


Fig. 8 - Operating Lights Kit, Multi-Level Dump, AA, SE

NOTE: To identify parts shown but not listed here, see Section 5, Low Dump Model Parts, Section 10, Multi-Level Dump Model Parts, Section 11, AA Model Parts, Section 12, SE Model Parts.

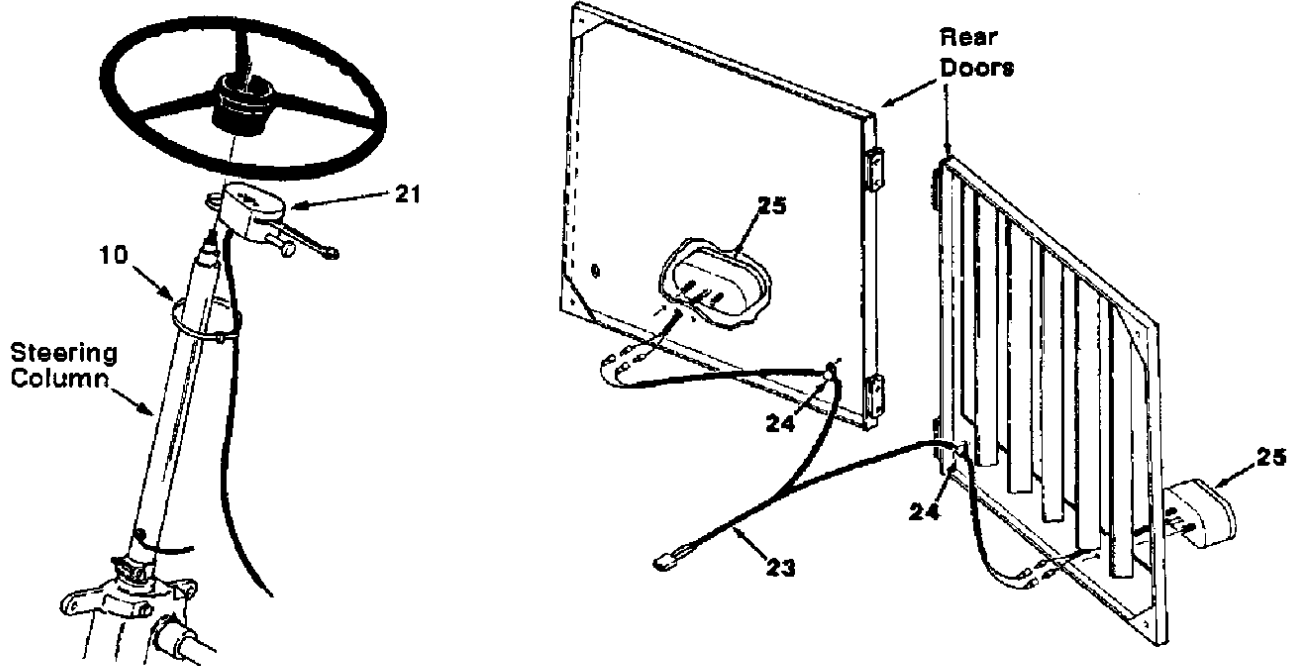


Fig. 8 - Operating Lights Kit, Multi-Level Dump, AA, SE

01650

Key	TENNANT® Part No.	Machine Serial Number	Description	Qty.
	34446	(000000-)	Operating Lights Kit	1
1	34700	(000000-)	Wrap, Headlight	2
2	46110	(000000-)	Plate, Headlight	2
3	51569	(000000-)	Lamp Assembly, Headlight	2
	10801	(000000-)	Lamp	1
4	34872	(000000-)	Ground Wire, Headlight	2
5	34848	(000000-)	Light Assembly, Turn Signal	2
6	10632-20	(000000-)	Grommet	2
7	46236	(000000-)	Clamp, Cable	2
8	34828	(000000-)	Wire Harness, Headlight	1
9	55248	(000000-)	Mount, Cable Tie	2
10	49266	(000000-)	Tie, Cable, 6.75" (170 mm)	4
11	29232	(000000-)	Strain Relief	2
12	26395	(000000-)	Clamp, Cable	1
13	32430	(000000-)	Switch, Mercury	1
14	34473	(000000-)	Spotlight Assembly	2
	32827	(000000-)	Bulb	1
15	18342	(000000-)	Protector	1
16	13959	(000000-)	Switch	1
17	34843	(000000-)	Buss Bar, Circuit Breaker	2
18	55255	(000000-)	Circuit Breaker, 15 A	2
19	34847	(000000-)	Light Assembly, Gauge	4
20	63266	(000000-)	Switch	1
21	25151	(000000-)	Turn Signal Assembly	1
22	31922	(000000-)	Flasher, Signal	1
23	34829	(000000-)	Wire Harness, Taillight	1
24	09385	(000000-)	Clamp, Cable	2
25	55274	(000000-)	Taillight Assembly	2
	45780	(000000-)	Bulb	1

ACCESSORIES

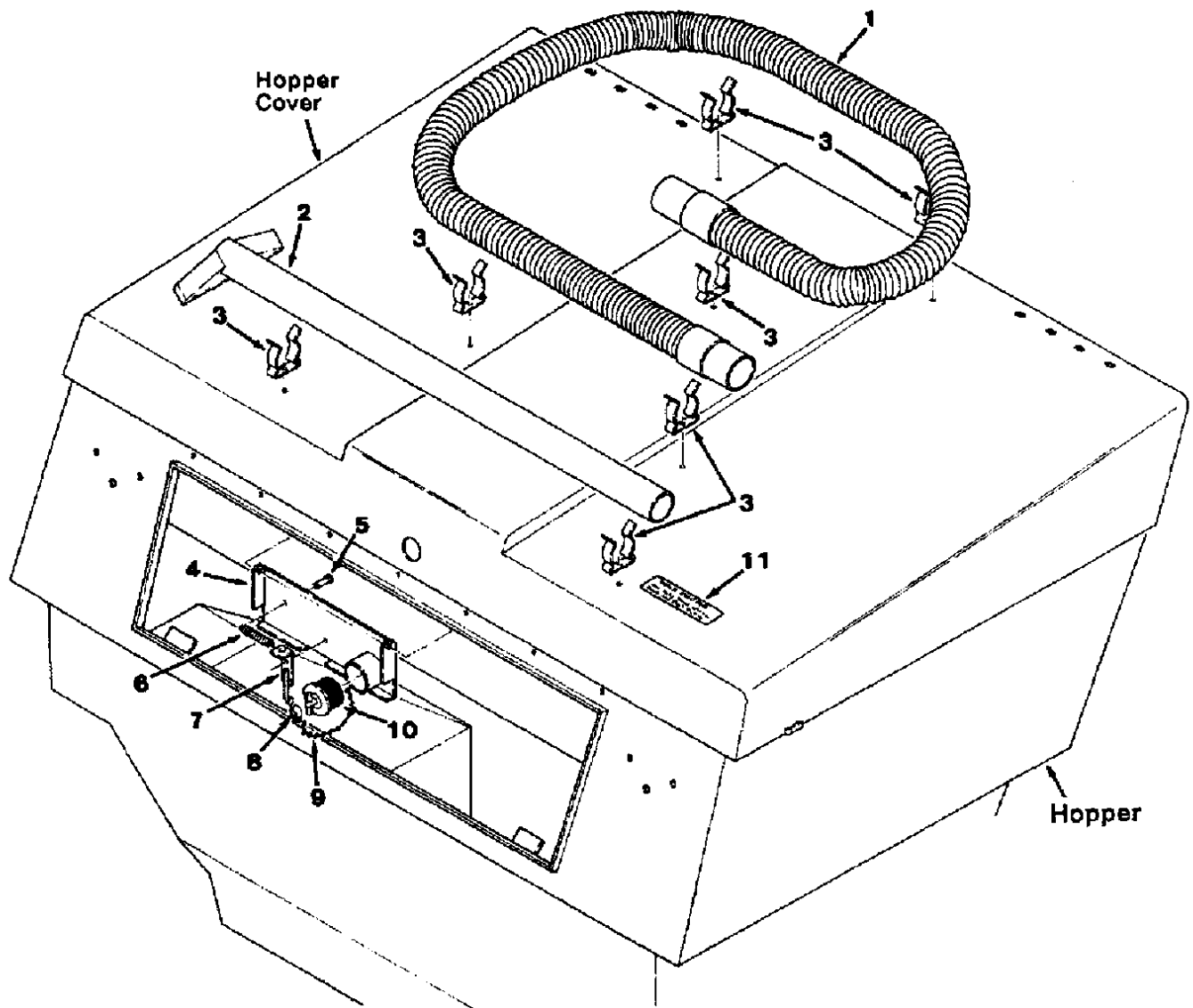


Fig. 9 - Vacuum Wand Kit, Low Dump, Multi-Level Dump, SE

01590

Key	TENNANT® Part No.	Machine Serial Number	Description	Qty.
	32198	(000000-)	Vacuum Wand Kit	1
1	54009	(000000-)	Hose and Cuff Assembly	1
2	54012	(000000-)	Wand	1
3	22473	(000000-)	Clip, Finger Grip	7
4	49026	(000000-)	Door, Fire, Vacuum Wand	1
5	51727	(000000-)	Pin, Clevis	1
6	01053	(000000-)	Spring	1
7	54007	(000000-)	Lever	1
8	09385	(000000-)	Clamp, Cable	1
9	49028	(000000-)	Chain	1
10	42124	(000000-)	Plug, Expandable	1
11	54135	(000000-)	Decal, Vacuum Attachment	1

NOTE: To identify parts shown but not listed here, see Section 5, Low Dump Model Parts, Section 10, Multi-Level Dump Model Parts, Section 11, AA Model Parts, Section 12, SE Model Parts.

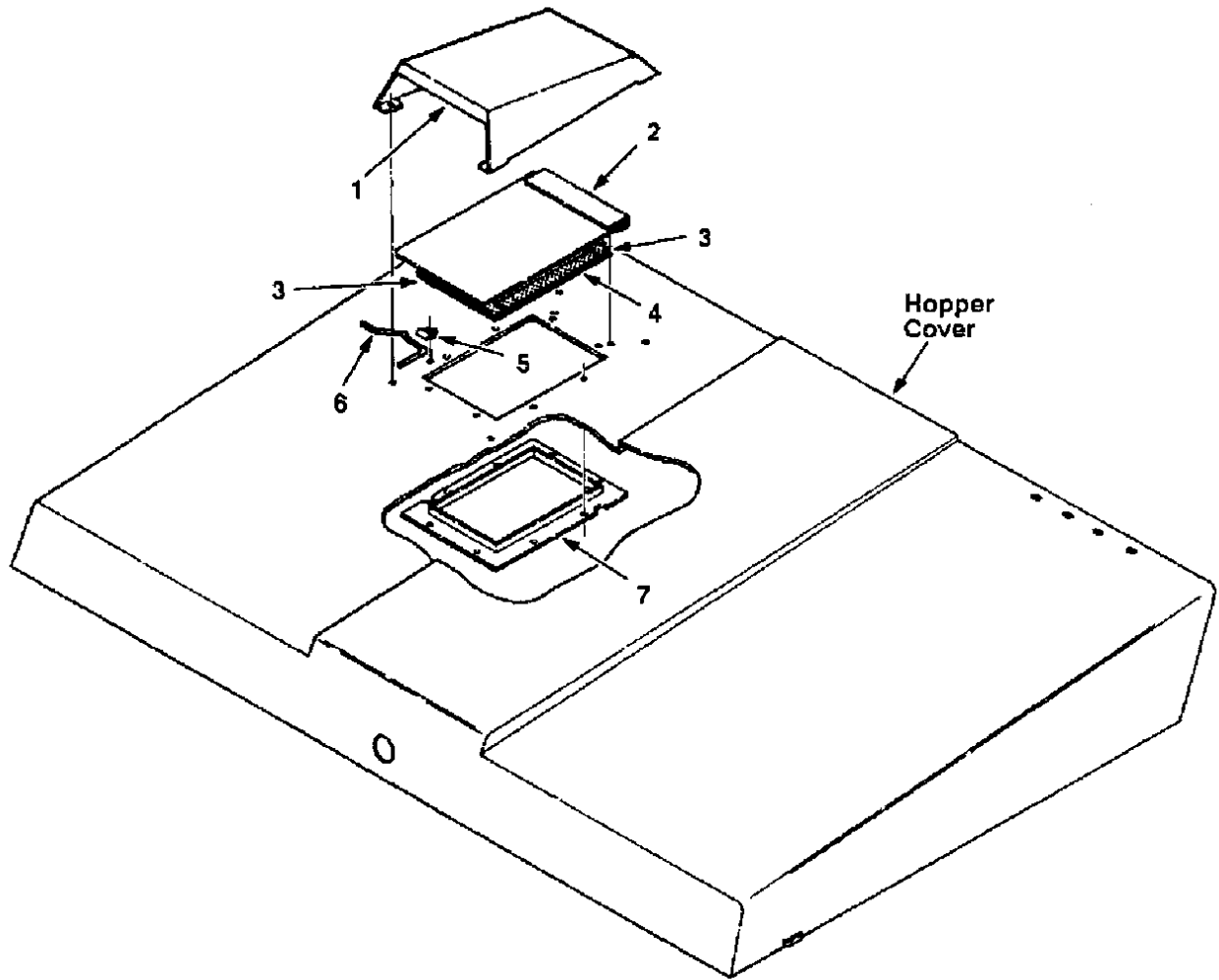


Fig. 10 - Air Bypass Kit

01591

Key	TENNANT® Part No.	Machine Serial Number	Description	Qty.
	39550	(000000-)	Air Bypass Kit	1
1	56202	(000000-)	Scoop, Air	1
2	39554	(000000-)	Door Assembly, Air Bypass	1
3	39558	(000000-)	Seal, Foam Vinyl	2
4	50616	(000000-)	Seal, Foam Vinyl	2
5	09092-1	(000000-)	Clamp	1
6	39559	(000000-)	Arm, Control	1
7	39551	(000000-)	Stiffener, Door Seal	1
	08317	(000000-)	Sealant, Silastic, 3 oz (90 cc)	1

NOTE: To identify parts shown but not listed here, see Section 5, Low Dump Model Parts, Section 10, Multi-Level Dump Model Parts, Section 11, AA Model Parts, Section 12, SE Model Parts.

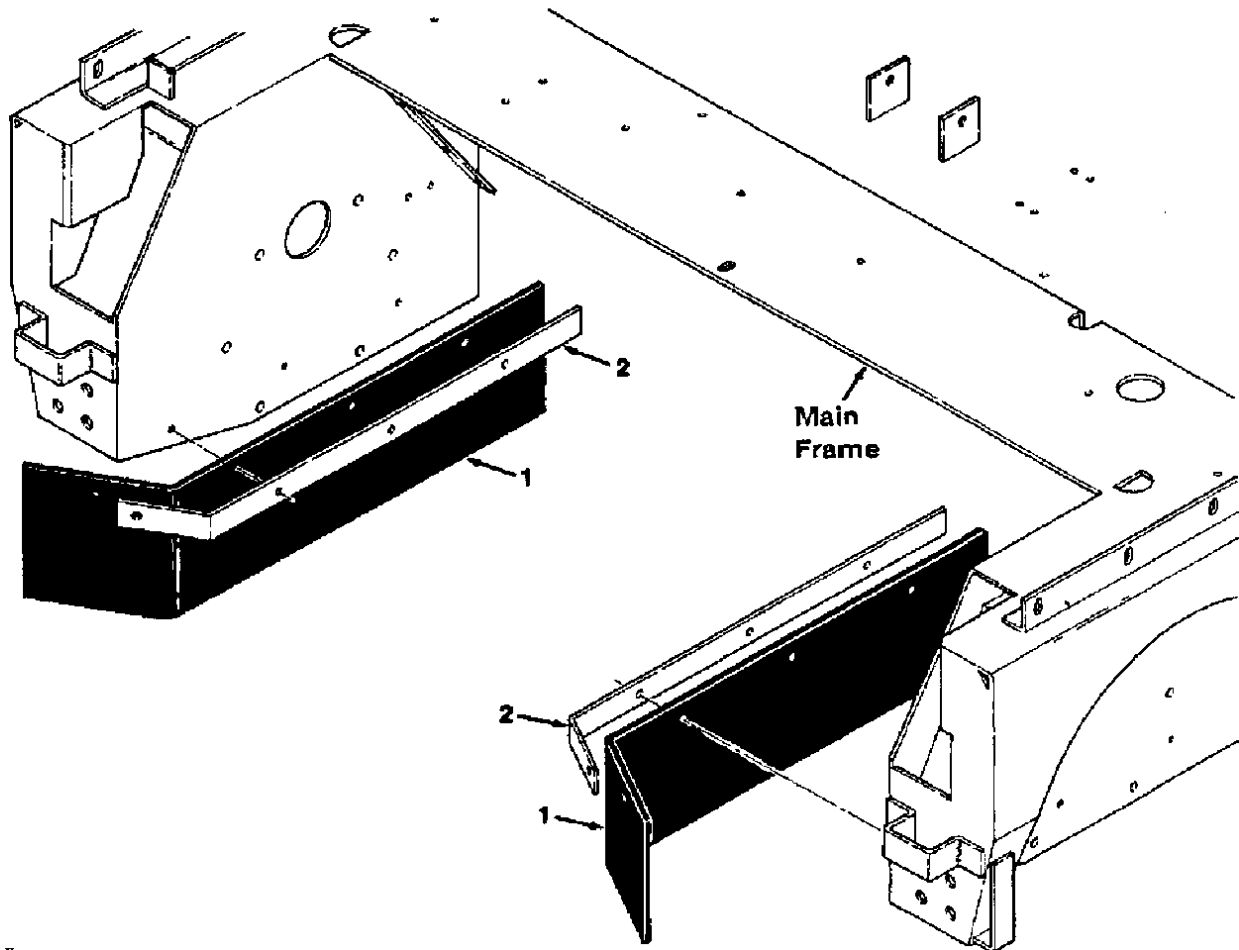


Fig. 11 - Debris Deflector Kit, Low Dump, Multi-Level Dump, SE

01605

Key	Tennant® Part No.	Machine Serial Number	Description	Qty.
	36779	(000000-)	Deflector Kit, Debris	1
1	36789	(000000-)	Skirt	2
2	36790	(000000-)	Retainer, Wheel Skirt	2

NOTE: To identify parts shown but not listed here, see Section 5, Low Dump Model Parts, Section 10, Multi-Level Dump Model Parts, Section 11, AA Model Parts, Section 12, SE Model Parts.

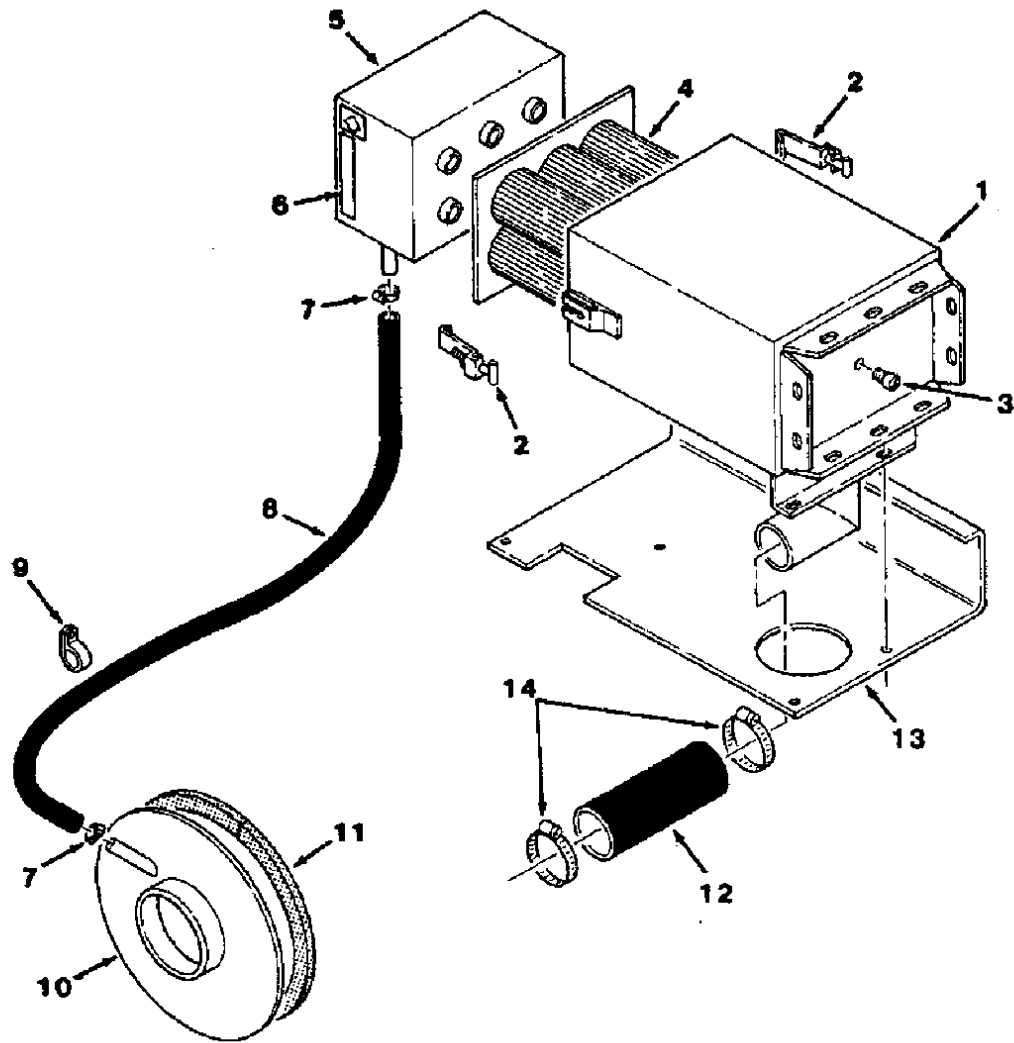


Fig. 12 - Air Cleaner Kit, Low Dump, Multi-Level Dump, AA

01577

Key	TENNANT® Part No.	Machine Serial Number	Description	Qty.
	34425	(000000-)	Air Cleaner Kit	1
1	34498	(000000-)	Housing, Air Cleaner	1
2	49195	(000000-)	Fastener	2
3	02246	(000000-)	Plug	1
4	39929-3	(000000-)	Filter, Air	1
5	39929-2	(000000-)	Pre-Cleaner, Air	1
6	48088-6	(000000-)	Label, Instruction	1
7	54333	(000000-)	Clamp, Worm Drive	2
8	52922	(000000-)	Hose	1
9	49287	(000000-)	Clamp, Cable	1
10	52924	(000000-)	Duct, Intake	1
11	23542	(000000-)	Seal, Foam Rubber	1
12	15543-1	(000000-)	Hose	1
13	34499	(000000-)	Bumper	1
14	22297	(000000-)	Clamp, Worm Drive	2

ACCESSORIES

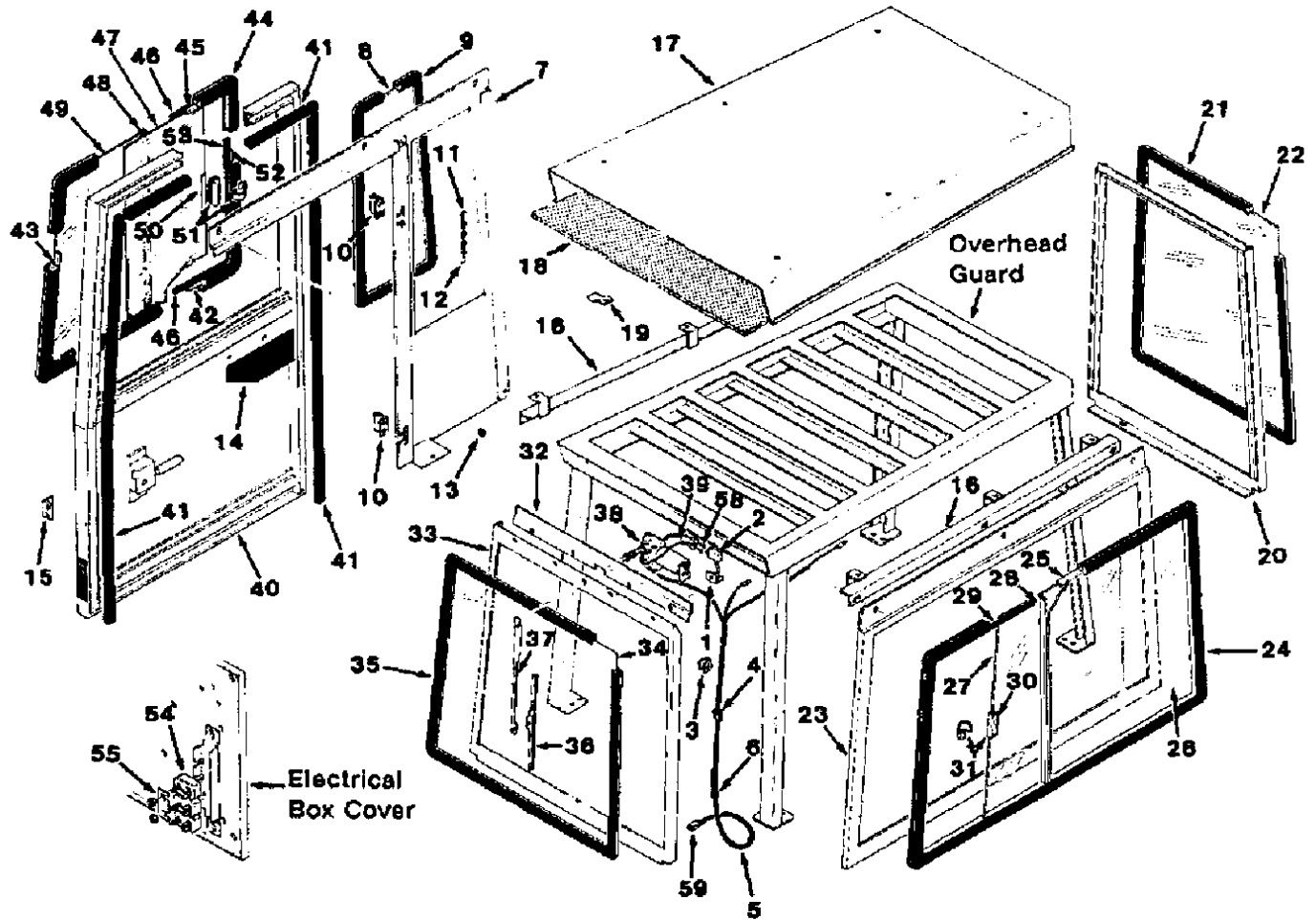
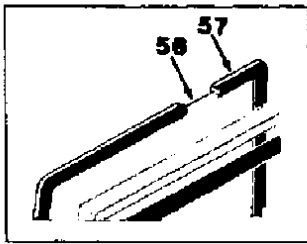


Fig. 13 - Cab Kit

01570

Key	TENNANT® Part No.	Machine Serial Number	Description	Qty.
	34434	(000000-)	Cab Kit	1
1	62039	(000000-)	Bracket, L	1
2	10701	(000000-)	Switch	1
3	51675	(000000-)	Clip, Cab	14
4	46236	(000000-)	Clamp, Cable	2
5	03293	(000000-003089)	Replacement Kit, Wire Harness, Cab	1
5	03290	(003090-)	Wire Harness, Cab	1
6	10632-11	(000000-)	Grommet	1
7	51791	(000000-)	Panel Assembly, Cab Filler	1
8	51974	(000000-)	Glass, Filler Panel	1

NOTE: To identify parts shown but not listed here, see Section 5, Low Dump Model Parts.

Key	TENNANT® Part No.	Machine Serial Number	Description	Qty.
9	51975	(000000-)	Weather Strip	1
10	51670	(000000-)	Hinge	2
11	28499-3	(000000-)	Chain	1
12	43363	(000000-)	Hook	1
13	44851	(000000-)	Bumper, Rubber	1
14	34280	(000000-)	Armrest, Cab	1
15	02475	(000000-)	Plate, Strike	1
16	62029A	(000000-)	Angle, Cab	2
17	62095	(000000-)	Roof, Cab	1
18	62098	(000000-)	Insulation	1
19	62045	(000000-)	Clip	7
20	62042	(000000-)	Window Assembly, Rear	1
21	51602	(000000-)	Weather Strip	1
22	51682	(000000-)	Glass, Safety	1
23	51789	(000000-)	Window Assembly, Cab, L.H.	1
24	51609	(000000-)	Weather Strip	1
25	51611	(000000-)	Channel, Glass	1
26	51606	(000000-)	Glass, Side Window	1
27	51607	(000000-)	Glass, Safety	1
28	51677	(000000-)	Channel, Rigid	1
29	51608	(000000-)	Strip, Rubber	1
30	58974	(000000-)	Pad, Rubber	2
31	15066	(000000-)	Pull and Lock Set	1
32	62028	(000000-)	Rail, Attaching	1
33	62041	(000000-)	Frame and Windshield Assembly, Front	1
34	52370	(000000-)	Glass, Safety	1
35	51596	(000000-)	Weather Strip	1
36	23947	(000000-)	Blade, Windshield Wiper	1
37	15121	(000000-)	Arm, Windshield Wiper	1
38	03296	(000000-003089)	Replacement Kit, Wiper Motor	1
38	02507	(003090-)	Motor, Windshield Wiper	1
39	34849	(000000-003089)	Wire Assembly, Wiper Motor	1
39	03282	(003090-)	Wire Assembly, Wiper Motor	1
40	51792	(000000-)	Door Assembly, Cab	1
41	02476	(000000-)	Seal Replacement Kit	1
42	34042	(002370-)	Channel, Flexible	1
43	34044	(002370-)	Channel, Flexible	1
44	34046	(002370-)	Weatherstrip, Rubber	1
45	34045	(002370-)	Channel, Flexible	1
46	34040	(002370-)	Spacer, Rubber	2
47	34048	(002370-)	Window, Sliding	1
48	34049	(002370-)	Channel, Rigid	1
49	34047	(002370-)	Window, Stationary	1
50	58974	(002370-)	Pad, Rubber	2
51	15066	(002370-)	Pull and Lock Set	1
52	34043	(002370-)	Channel, Flexible	1
53	34041	(002370-)	Spacer, Rubber	1
54	55255	(000000-)	Circuit Breaker, 15 A	1
55	34843	(000000-)	Buss Bar, Circuit Breaker	1
56	34052	(000000-002369)	Glass, Safety	1
57	51678	(000000-002369)	Weather Strip	1
58	48252	(003090-)	Terminal, Tab	2
59	51407	(003090-)	Connector, 2 Contact	1



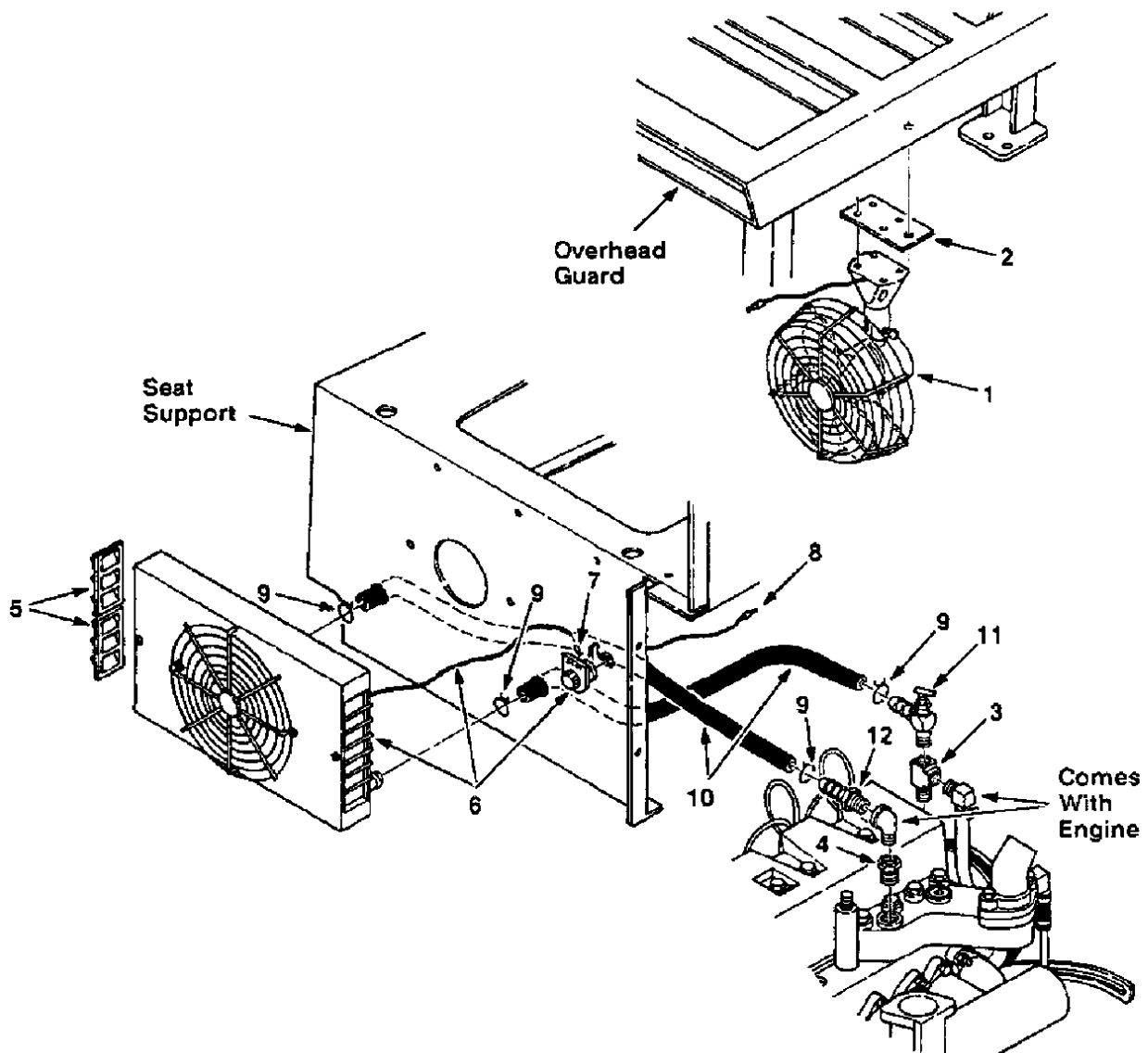


Fig. 14 - Heater Defroster Kit, Low Dump, Multi-Level Dump, AA

01575

Key	TENNANT® Part No.	Machine Serial Number	Description	Qty.
	34438	(000000--)	Heater Defroster Kit	1
1	34528	(000000--)	Fan Assembly, Defroster	1
2	52360	(000000--)	Plate, Mounting	1
3	52448	(000000--)	Fitting, Tee	1
4	42214	(000000--)	Fitting, Straight	1
5	52433-2	(000000--)	Deflector, Air	2
6	16874	(000000-003089)	Replacement Kit, Heater	1
6	16871	(003090--)	Heater	1
7	45333	(000000--)	Terminal, Spade	1
8	34846	(000000--)	Wire Assembly, Heater	1
9	11399	(003090--)	Clamp, Worm Drive	4
10	57912	(003090--)	Hose	2
11	16873	(003090--)	Valve, Heater	1
12	20343	(003090--)	Fitting, Straight Barbed	1

NOTE: To identify parts shown but not listed here, see Section 5, Low Dump Model Parts.

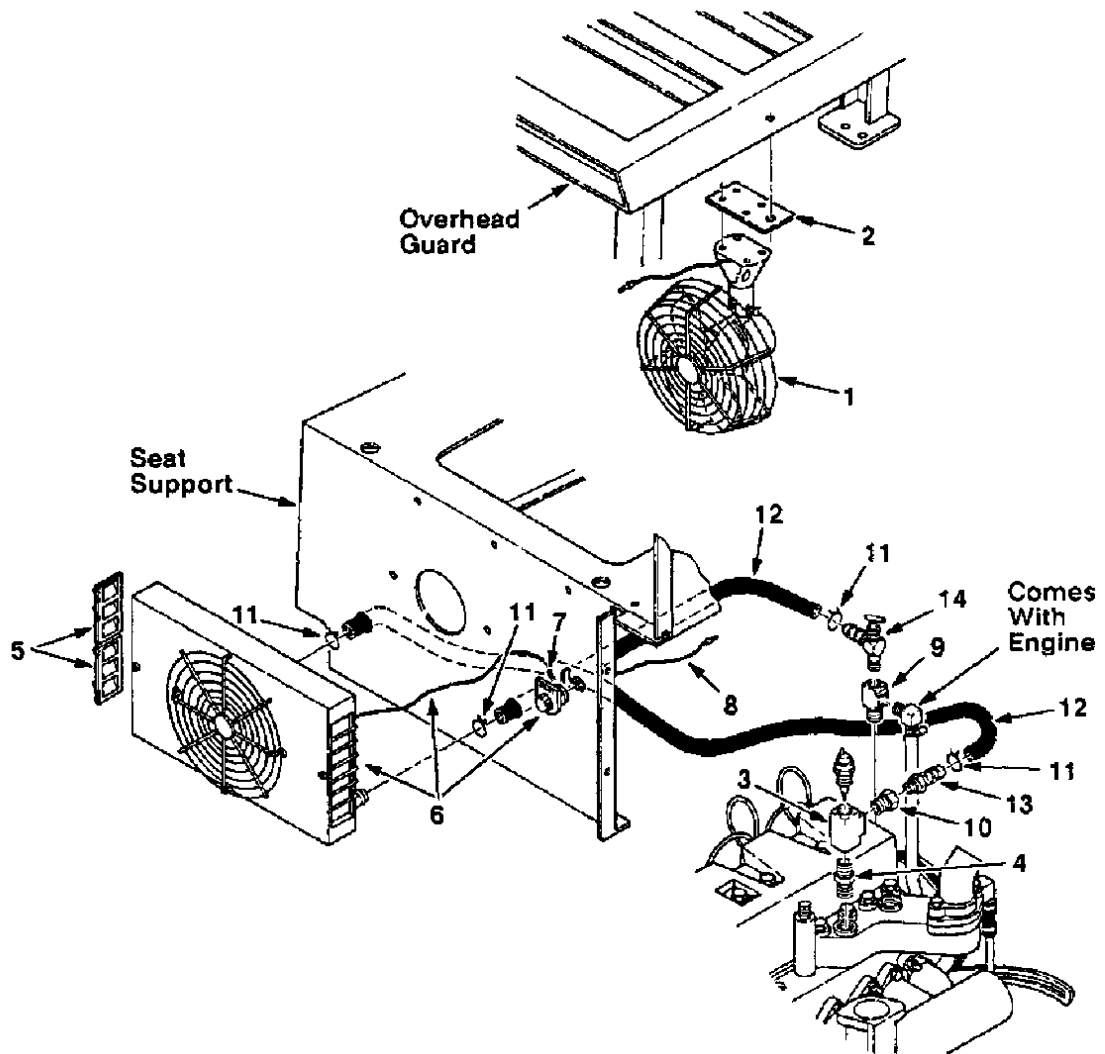


Fig. 15 - Heater Defroster Kit, SE

01576

Key	TENNANT® Part No.	Machine Serial Number	Description	Qty.
	34440	(000000-)	Heater Defroster Kit	1
1	34528	(000000-)	Fan Assembly, Defroster	1
2	52360	(000000-)	Plate, Mounting	1
3	69775	(000000-)	Fitting, Tee	1
4	40573	(000000-)	Fitting, Straight	1
5	52433-2	(000000-)	Deflector, Air	2
6	16874	(000000-003089)	Replacement Kit, Heater	1
6	16871	(003090-)	Heater	1
7	45333	(000000-)	Terminal, Spade	1
8	34846	(000000-)	Wire Assembly, Heater	1
9	52448	(000000-)	Fitting, Tee	1
10	42214	(000000-)	Fitting, Straight	1
11	11399	(003090-)	Clamp, Worm Drive	4
12	57912	(003090-)	Hose	2
13	20343	(003090-)	Fitting, Straight Barbed	1
14	16873	(003090-)	Valve, Heater	1

NOTE: To identify parts shown but not listed here, see Section 5, Low Dump Model Parts, Section 12, SE Model Parts.

ACCESSORIES

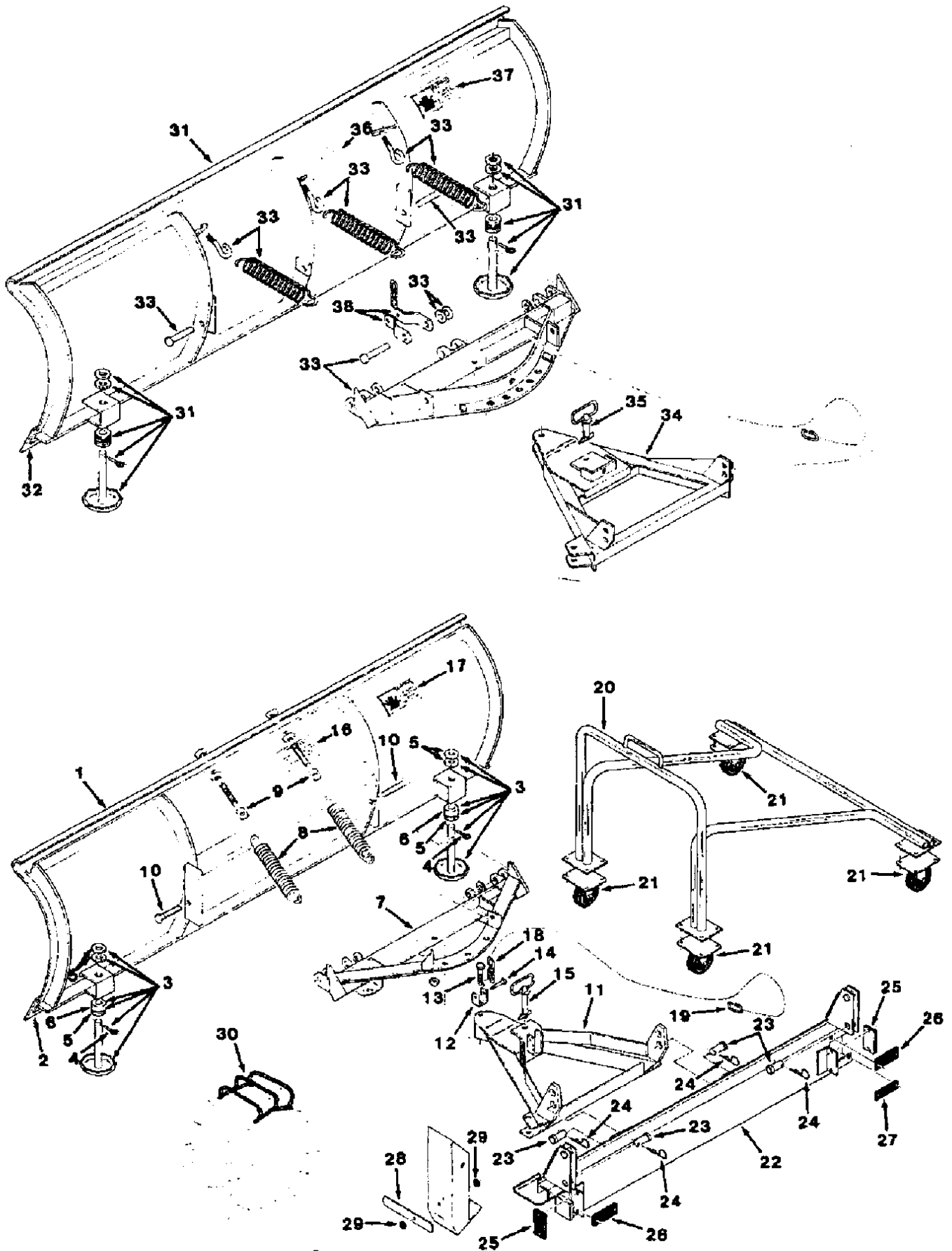


Fig. 16 - Snow Blade Kit

Fig. 16 - Snow Blade Kit

Key	TENNANT® Part No.	Machine Serial Number	Description	Qty.
	62063	(000000-)	Snow Blade Kit	1
	31305	(xxxxxx-)	Blade and Frame Assembly	1
1	31303	(xxxxxx-)	Blade Assembly, Snow	1
2	08045	(xxxxxx-)	Cutting Edge Assembly	1
3	08046	(xxxxxx-)	Disc Shoe Assembly	2
4	08047	(xxxxxx-)	Pin, Linch	1
5	32969	(xxxxxx-)	Washer	19
6	08048	(xxxxxx-)	Spacer	1
	31311	(xxxxxx-)	Quadrant and A-Frame Assembly	1
7	31302	(xxxxxx-)	Quadrant Assembly, Snowplow	1
8	47713-1	(xxxxxx-)	Spring	2
9	47713-2	(xxxxxx-)	Eye Bolt	2
10	39639	(xxxxxx-)	Screw, Hex	2
11	31304	(xxxxxx-)	A-Frame, Snowplow	1
12	08051	(xxxxxx-)	Clevis	1
13	58056	(xxxxxx-)	Screw, Hex	1
14	08063	(xxxxxx-)	Screw, Hex	1
15	08052	(xxxxxx-)	Pin, Toggle	1
16	32181	(xxxxxx-)	Label, Important, Do Not Raise	1
17	32180	(xxxxxx-)	Label, Warning, Always Lower	1
18	62076	(000000-)	Chain	1
19	62080	(000000-)	Link, Chain, Connecting	1
20	52001	(000000-)	Dolly, Hopper	1
21	51701A	(000000-)	Caster, Swivel	4
22	32178	(000000-)	Crossbar, Snow Blade	1
23	04733-5	(000000-)	Pin, Clevis	4
24	55094	(000000-)	Pin, Hair Cotter	4
25	62071A	(000000-)	Bumper, Frame	2
26	62072A	(000000-)	Bumper, Frame	2
27	62073A	(000000-)	Bumper, Frame	1
28	32179	(000000-)	Stop, Arm	1
29	52508	(000000-)	Washer, Wavy	2
30	62074	(000000-)	Chain, Tire	1
	62052	(000000-xxxxxx)	Blade and Frame Assembly (Replaced by 31305)	1
31	62052-1	(000000-xxxxxx)	Blade Assembly, Snow	1
32	32361	(000000-xxxxxx)	Cutting Edge Assembly	1
33	39214	(000000-xxxxxx)	Quadrant Assembly, Snowplow	1
34	32912	(000000-xxxxxx)	A-Frame, Snowplow	1
35	62052-3	(000000-xxxxxx)	Pin, Toggle	1
36	32181	(000000-xxxxxx)	Label, Important, Do Not Raise	1
37	32180	(000000-xxxxxx)	Label, Warning, Always Lower	1
38	62079	(000000-xxxxxx)	Bracket, Connecting, Chain	2

ACCESSORIES

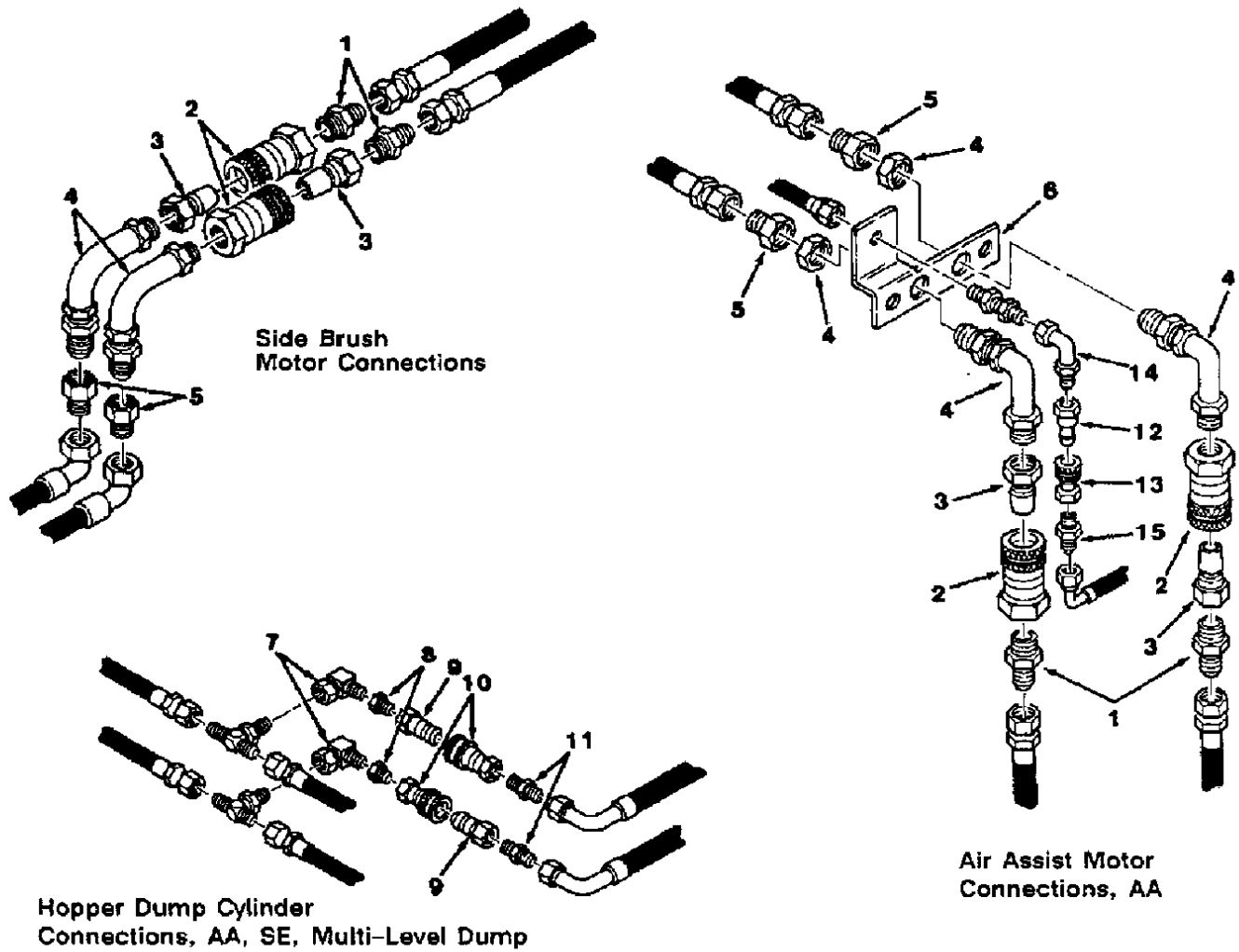


Fig. 17 - Snow Blade Hydraulics Kit

01632

Key	TENNANT® Part No.	Machine Serial Number	Description	Qty.
	34442	(00000-)	Snow Blade Hydraulics	1
1	56692	(00000-)	Fitting, Straight	4
2	42224-1	(00000-)	Coupling, Half	4
3	42224-2	(00000-)	Coupling, Half	4
4	36788	(00000-)	Tube	4
5	76052	(00000-)	Fitting, Straight	4
6	36886	(00000-003201)	Plate, Mounting	1
6	16862	(003202-)	Plate, Mounting	1
7	34415	(00000-)	Fitting, Elbow	2
8	17414	(00000-)	Fitting, Straight	2
9	34413	(00000-)	Quick Connector, Male	2
10	34414	(00000-)	Quick Connector, Female	2
11	06678	(00000-)	Fitting, Straight	2
12	16817	(003202-)	Quick Connector, Nipple	1
13	16818	(003202-)	Quick Connector, Coupler	1
14	16867	(003202-)	Fitting, Elbow	1
15	55685	(003202-)	Fitting, Straight	1

NOTE: To identify parts shown but not listed here, see Section 5, Low Dump Model Parts, Section 10, Multi-Level Dump Model Parts, Section 11, AA Model Parts, Section 12, SE Model Parts.

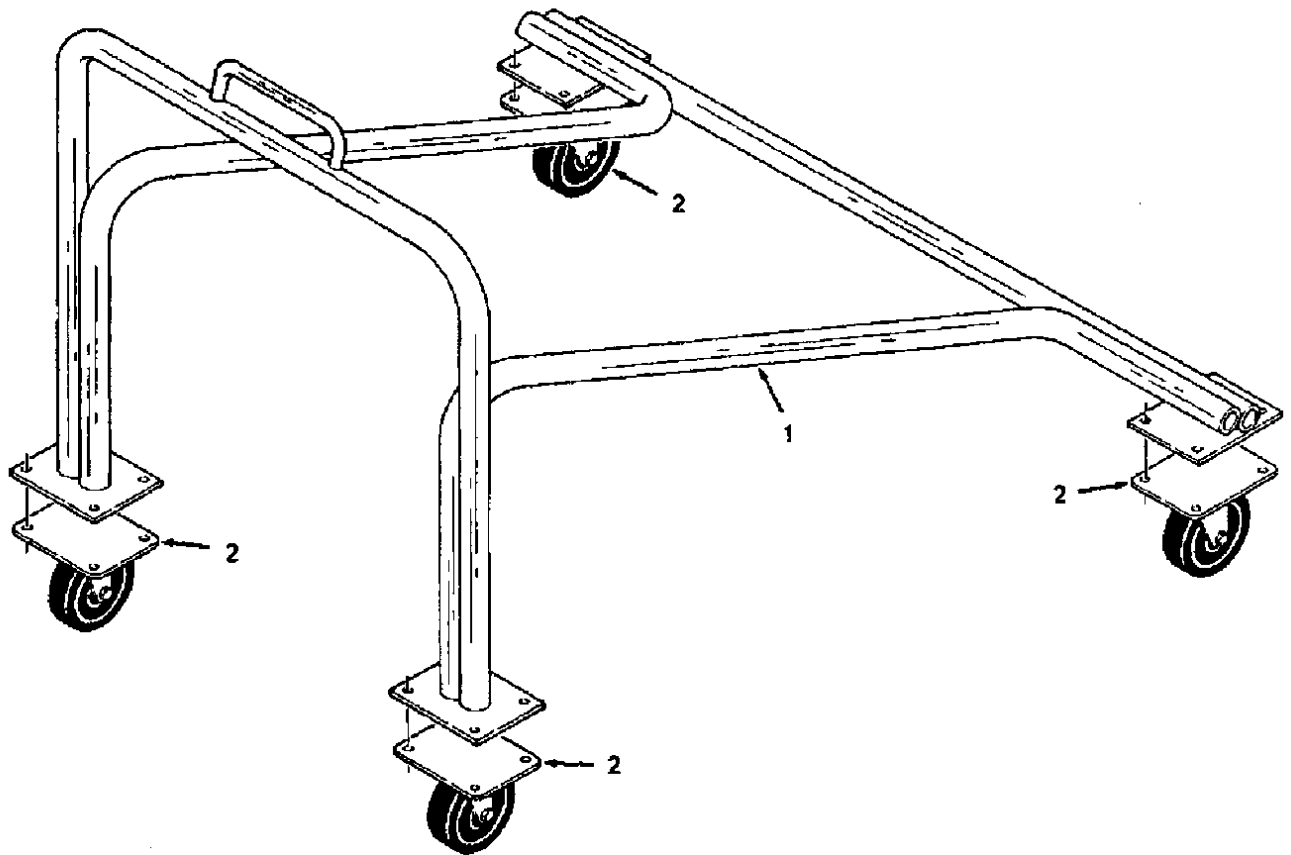


Fig. 18 - Hopper Dolly Kit, Low Dump, Multi-Level Dump, AA

01630

Key	TENNANT® Part No.	Machine Serial Number	Description	Qty.
1	52001	(000000-)	Dolly, Hopper	1
2	51701A	(000000-)	Caster, Swivel	4

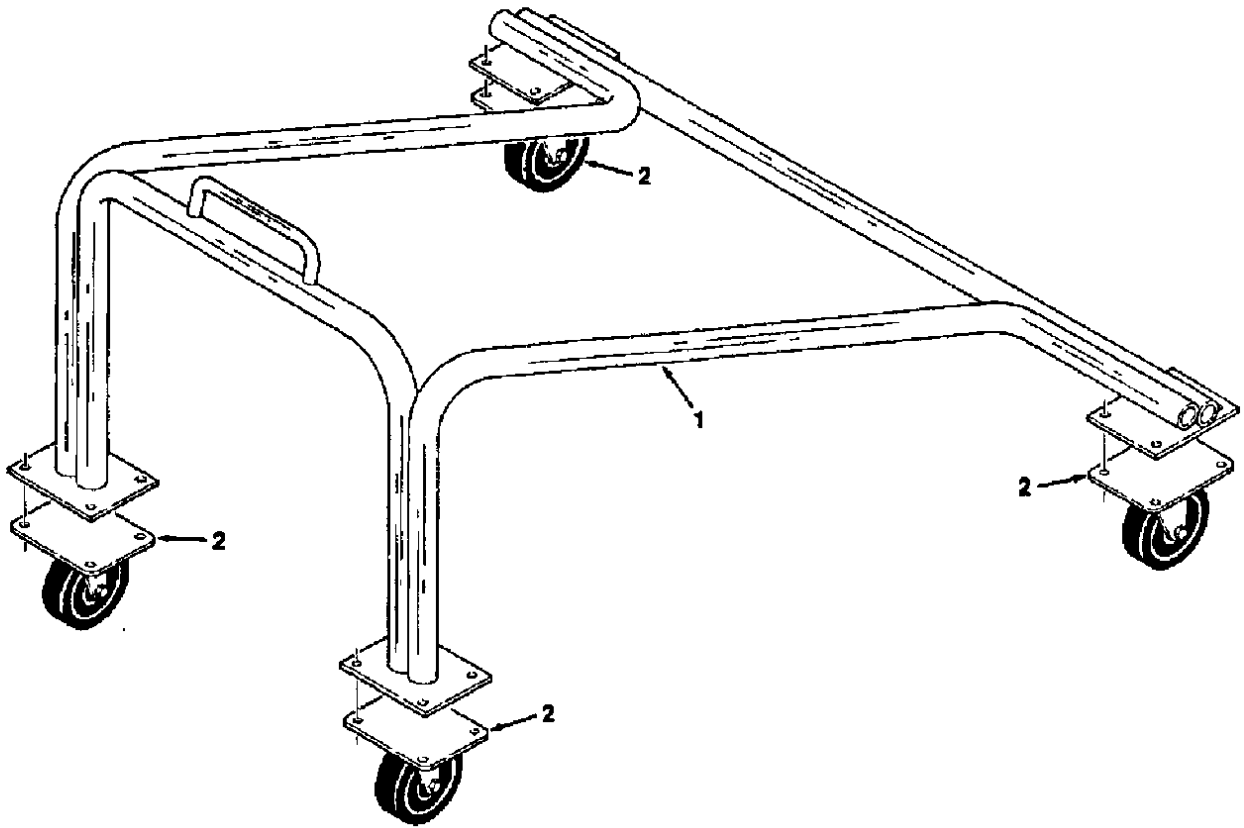


Fig. 19 - Hopper Dolly Kit, SE

01691

Key	TENNANT® Part No.	Machine Serial Number	Description	Qty.
1	39676	(000000-)	Dolly, Hopper	1
2	51701A	(000000-)	Caster, Swivel	4

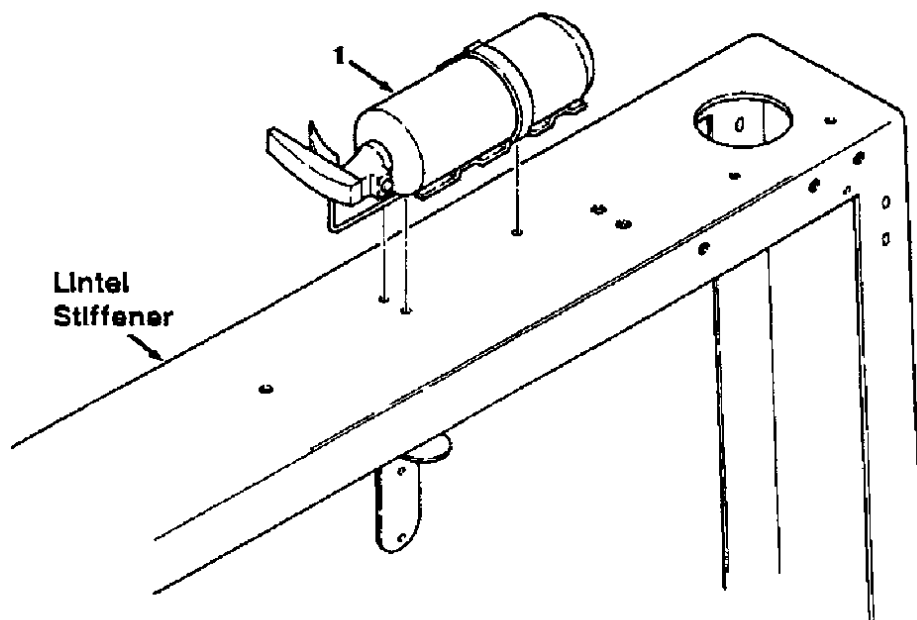


Fig. 20 - Fire Extinguisher Kit

01578

Key	TENNANT® Part No.	Machine Serial Number	Description	Qty.
1	50615	(000000-)	Fire Extinguishing Kit	1
	25312	(000000-)	Extinguisher, Fire	1

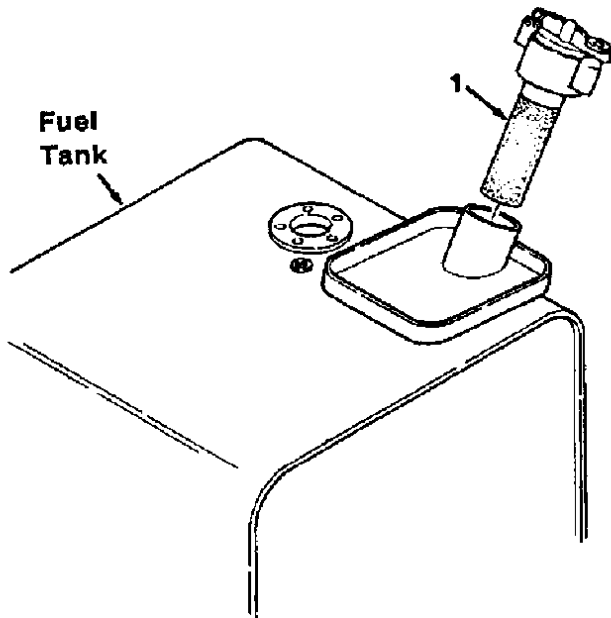


Fig. 21 - Protectoseal Fuel Tank Cap Kit

01584

Key	TENNANT® Part No.	Machine Serial Number	Description	Qty.
1	02506-6	(000000-)	Cap, Fuel Tank, Protectoseal	1

NOTE: To identify parts shown but not listed here, see Section 5, Low Dump Model Parts.

ACCESSORIES

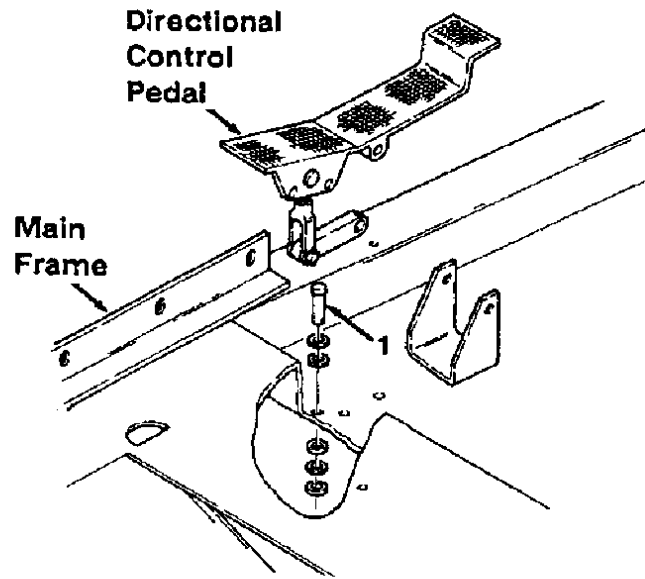


Fig. 22 - Speed Control Kit

01582

Key	TENNANT® Part No.	Machine Serial Number	Description	Qty.
1	52276	(000000-)	Speed Control Kit	1
	43290	(000000-)	Pin, Clevis	1

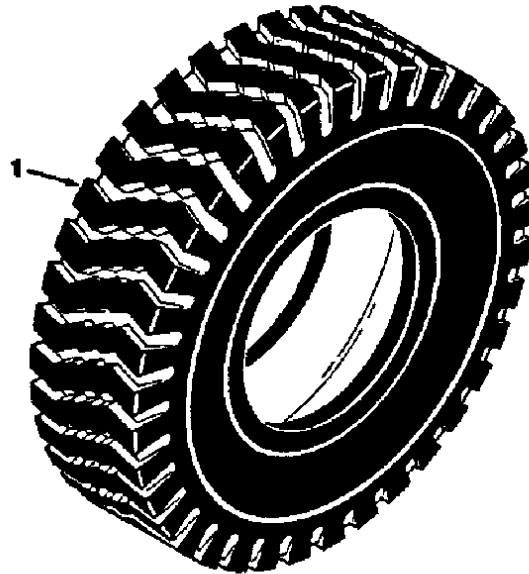


Fig. 23 - Super Rib Tire Kit, Low Dump

01585

Key	TENNANT® Part No.	Machine Serial Number	Description	Qty.
1	52458	(000000-)	Tire, Super Rib	1

NOTE: To identify parts shown but not listed here, see Section 5, Low Dump Model Parts.



Fig. 24 - Rear Wheel Kit, Foam Filled, Low Dump

01640

Key	TENNANT® Part No.	Machine Serial Number	Description	Qty.
1	62280	(000000-)	Tire and Wheel Assembly, Foam Filled	1

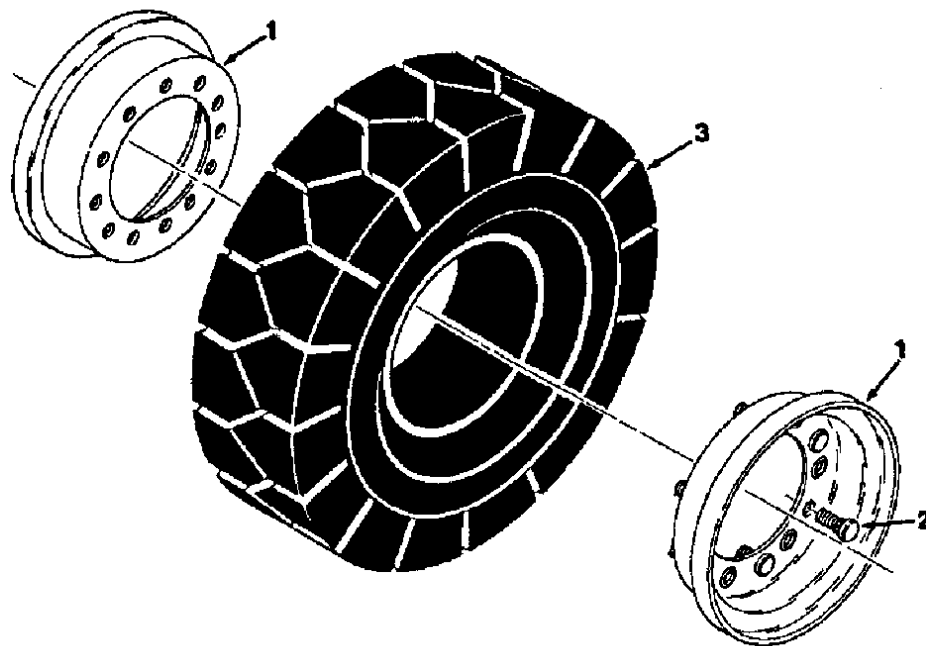


Fig. 25 - Rear Wheel Kit, Low Dump

01631

Key	TENNANT® Part No.	Machine Serial Number	Description	Qty.
	51705	(000000-)	Tire and Wheel Assembly	1
1	52775	(000000-)	Rim Assembly	1
2	51355	(000000-)	Stud, Wheel	6
3	51711	(000000-)	Tire	1

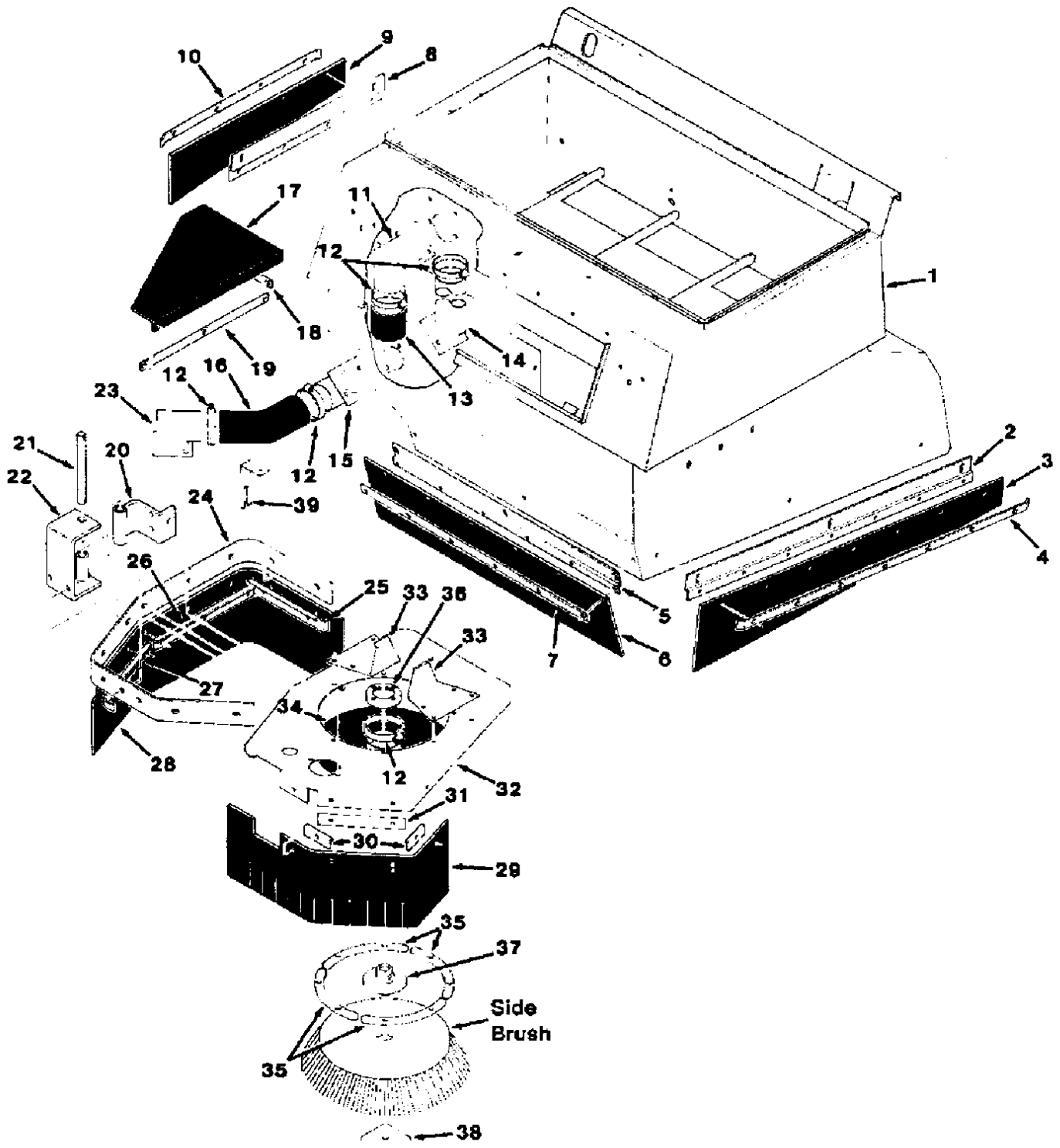


Fig. 26 - Side Brush Dust Control Group, Low Dump

Fig. 26 - Side Brush Dust Control Group, Low Dump

Key	TENNANT® Part No.	Machine Serial Number	Description	Qty.
1	34692	(000000-)	Hopper	1
2	52232	(000000-)	Panel, Skirt Mounting, L.H.	1
3	51920	(000000-)	Skirt	1
4	52233	(000000-)	Retainer, L.H.	1
5	52230	(000000-)	Panel, Skirt Mounting	1
6	51931	(000000-)	Skirt	1
7	51923	(000000-)	Strip	1
8	52228	(000000-)	Panel, Skirt Mounting, R.H.	1
9	51919	(000000-)	Skirt	1
10	52234	(000000-)	Retainer, R.H.	1
11	52261	(000000-)	Tube, Top Vacuum	1
12	23498	(000000-)	Clamp, Worm Drive	5
13	52012	(000000-)	Hose	1
14	51950	(000000-)	Tube, Vacuum	1
15	51928	(000000-)	Tube	1
16	51929	(000000-)	Hose	1
17	51914	(000000-)	Seal, Top Brush	1
18	51930	(000000-)	Strip	1
19	51922	(000000-)	Strip	1
20	51901	(000000-)	Bracket, Pivot	1
21	51935	(000000-)	Pin, Special	1
	52263	(000000-)	Shroud Assembly	1
22	51908	(000000-)	Bracket, Bumper	1
23	51928	(000000-)	Tube	1
24	51899	(000000-)	Bumper	1
25	52216	(000000-)	Retainer	1
26	52219	(000000-)	Retainer	1
27	52218	(000000-)	Retainer	1
28	51932	(000000-)	Skirt, Side Brush	1
29	51933	(000000-)	Skirt, Front Brush	1
30	52215	(000000-)	Retainer	2
31	52217	(000000-)	Retainer	1
32	51898	(000000-)	Shroud, Side Brush	1
33	51989	(000000-)	Plate, Push	2
34	51900	(000000-)	Cover, Expansion	1
35	51909	(000000-)	Ring, Segment	4
36	52349	(000000-)	Tube, Collar	1
37	52236	(000000-)	Adaptor, Brush	1
38	52235	(000000-)	Plate, Adapter	1
39	34066	(000000-)	Stop, Side Brush	1

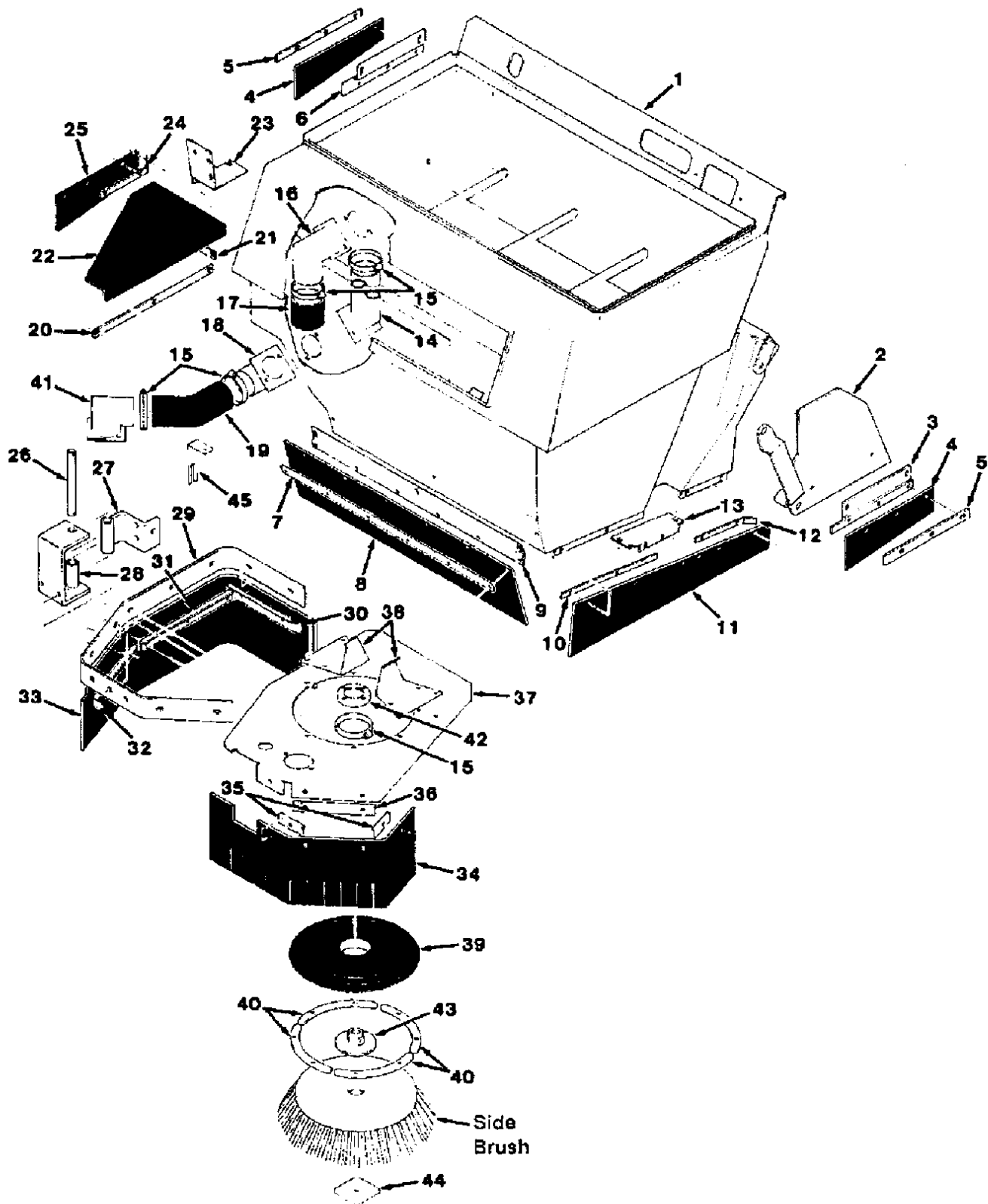


Fig. 27 - Side Brush Dust Control Group, Multi-Level Dump

Fig. 27 - Side Brush Dust Control Group, Multi-Level Dump

Key	TENNANT® Part No.	Machine Serial Number	Description	Qty.
1	34636	(000000-)	Hopper	1
2	34333	(000000-)	Door, Hopper, L.H.	1
	34334	(000000-)	Door, Hopper, R.H.	1
3	62115-1	(000000-)	Bracket, Skirt Mounting, L.H.	1
4	62116	(000000-)	Skirt	2
5	65077	(000000-)	Strip	2
6	62114-1	(000000-)	Bracket, Skirt Mounting, R.H.	1
7	51923	(000000-)	Strip	1
8	51931	(000000-)	Skirt	1
9	52230	(000000-)	Panel, Skirt Mounting	1
10	62110-1	(000000-)	Strip	1
11	62108	(000000-)	Skirt	1
12	62579-1	(000000-)	Retainer	1
13	62576B	(000000-)	Cap, Pocket, L.H.	1
14	51950	(000000-)	Tube, Vacuum	1
15	23498	(000000-)	Clamp, Worm Drive	5
16	52261	(000000-)	Tube, Top Vacuum	1
17	52012	(000000-)	Hose	1
18	51928	(000000-)	Tube	1
19	51929	(000000-)	Hose	1
20	51922	(000000-)	Strip	1
21	51930	(000000-)	Strip	1
22	51914	(000000-)	Seal, Top Brush	1
23	62577B-1	(000000-)	Cap, Pocket, R.H.	1
24	62579-1	(000000-)	Retainer	1
25	62107	(000000-)	Skirt	1
26	51935	(000000-)	Pin, Special	1
27	51901	(000000-)	Bracket, Pivot	1
	52263	(000000-)	Shroud Assembly	1
28	51908	(000000-)	Bracket, Bumper	1
29	51899	(000000-)	Bumper	1
30	52216	(000000-)	Retainer	1
31	52219	(000000-)	Retainer	1
32	52218	(000000-)	Retainer	1
33	51932	(000000-)	Skirt, Side Brush	1
34	51933	(000000-)	Skirt, Front Brush	1
35	52215	(000000-)	Retainer	2
36	52217	(000000-)	Retainer	1
37	51898	(000000-)	Shroud, Side Brush	1
38	51989	(000000-)	Plate, Push	2
39	51900	(000000-)	Cover, Expansion	1
40	51909	(000000-)	Ring, Segment	4
41	51928	(000000-)	Tube	1
42	52349	(000000-)	Tube, Collar	1
43	52236	(000000-)	Adaptor, Brush	1
44	52235	(000000-)	Plate, Adapter	1
45	34066	(000000-)	Stop, Side Brush	1

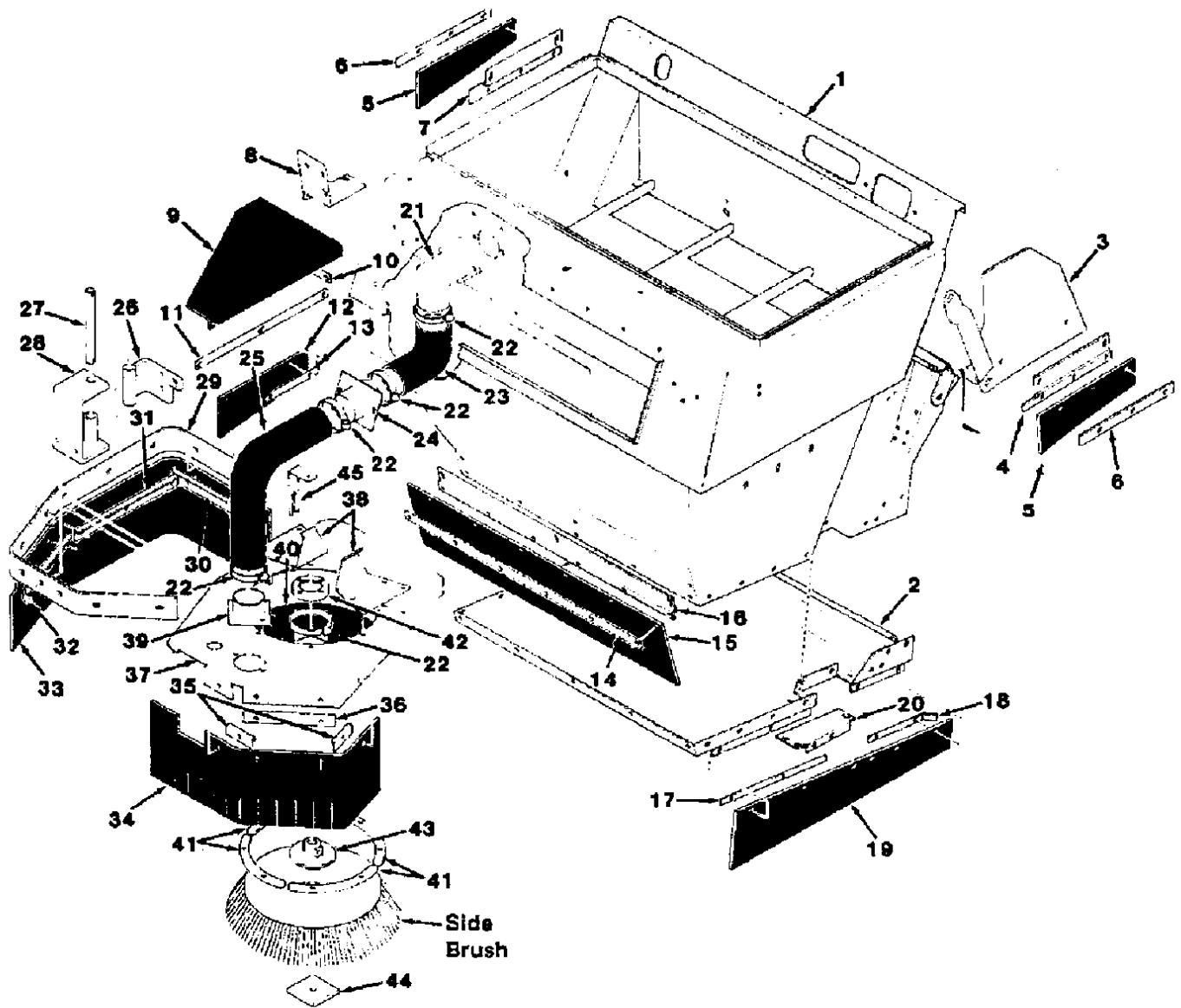


Fig. 28 - Side Brush Dust Control Group, SE

Fig. 28 - Side Brush Dust Control Group, SE

Key	TENNANT® Part No.	Machine Serial Number	Description	Qty.
1	34637	(000000-)	Hopper	1
2	34680	(000000-)	Panel, Hopper Bottom	1
3	34333	(000000-)	Door, Hopper, L.H.	1
	34334	(000000-)	Door, Hopper, R.H.	1
4	62115-1	(000000-)	Bracket, Skirt Mounting, L.H.	1
5	62116	(000000-)	Skirt	2
6	65077	(000000-)	Strip	2
7	62114-1	(000000-)	Bracket, Skirt Mounting, R.H.	1
8	62577B-1	(000000-)	Cap, Pocket, R.H.	1
9	51914	(000000-)	Seal, Top Brush	1
10	51930	(000000-)	Strip	1
11	51922	(000000-)	Strip	1
12	62107	(000000-)	Skirt	1
13	62579-1	(000000-)	Retainer	1
14	51923	(000000-)	Strip	1
15	51931	(000000-)	Skirt	1
16	39963-1	(000000-)	Bracket, Skirt Mounting	1
17	62110-1	(000000-)	Strip	1
18	62579-1	(000000-)	Retainer	1
19	62108	(000000-)	Skirt	1
20	62576B	(000000-)	Cap, Pocket, L.H.	1
21	52261	(000000-)	Tube, Top Vacuum	1
22	23498	(000000-)	Clamp, Worm Drive	5
23	51929	(000000-)	Hose	1
24	34695	(000000-)	Tube	1
25	39977	(000000-)	Hose	1
26	39988	(000000-)	Bracket, Pivot	1
27	51935	(000000-)	Pin, Special	1
	39941	(000000-)	Shroud Assembly	1
28	51908	(000000-)	Bracket, Bumper	1
29	51899	(000000-)	Bumper	1
30	52216	(000000-)	Retainer	1
31	52219	(000000-)	Retainer	1
32	52218	(000000-)	Retainer	1
33	51932	(000000-)	Skirt, Side Brush	1
34	51933	(000000-)	Skirt, Front Brush	1
35	52215	(000000-)	Retainer	2
36	52217	(000000-)	Retainer	1
37	51898	(000000-)	Shroud, Side Brush	1
38	51989	(000000-)	Plate, Push	2
39	39984	(000000-)	Tube	1
40	51900	(000000-)	Cover, Expansion	1
41	51909	(000000-)	Ring, Segment	4
42	52349	(000000-)	Tube, Collar	1
43	52236	(000000-)	Adaptor, Brush	1
44	52235	(000000-)	Plate, Adapter	1
45	34066	(000000-)	Stop, Side Brush	1

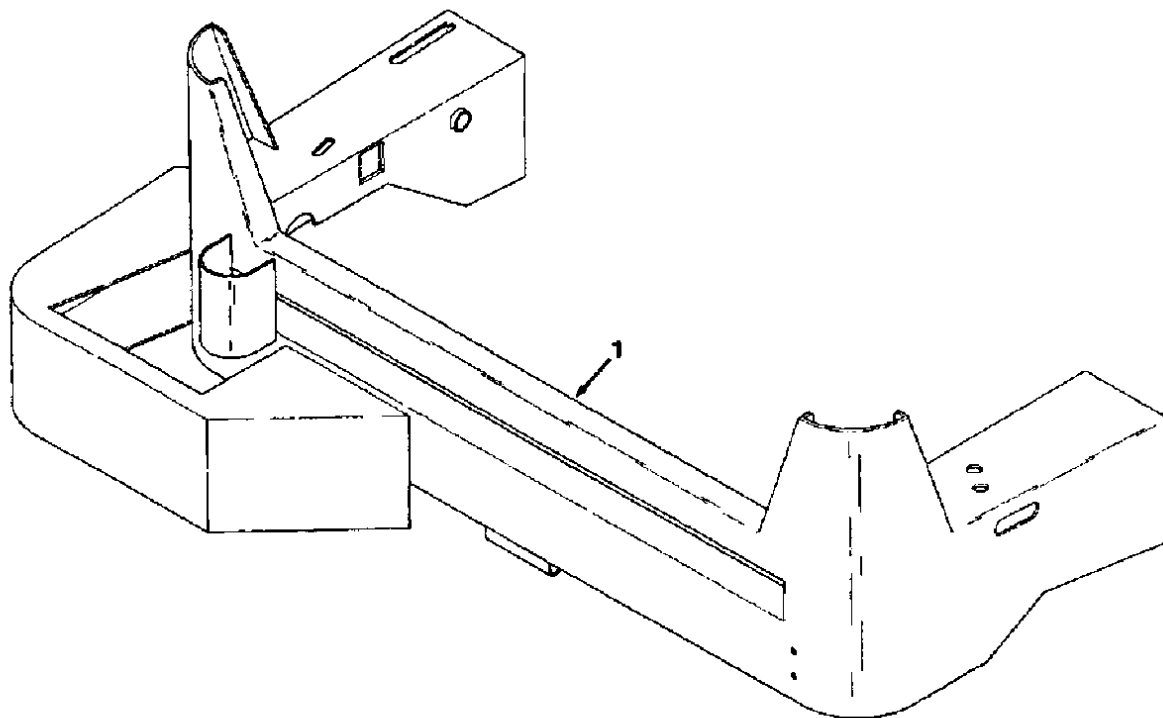


Fig. 29 - Bumper Group, Side Brush Dust Control, SE

01592

Key	TENNANT® Part No.	Machine Serial Number	Description	Qty.
1	34488	(000000-002641)	Bumper	1
1	16773	(002642-)	Bumper	1

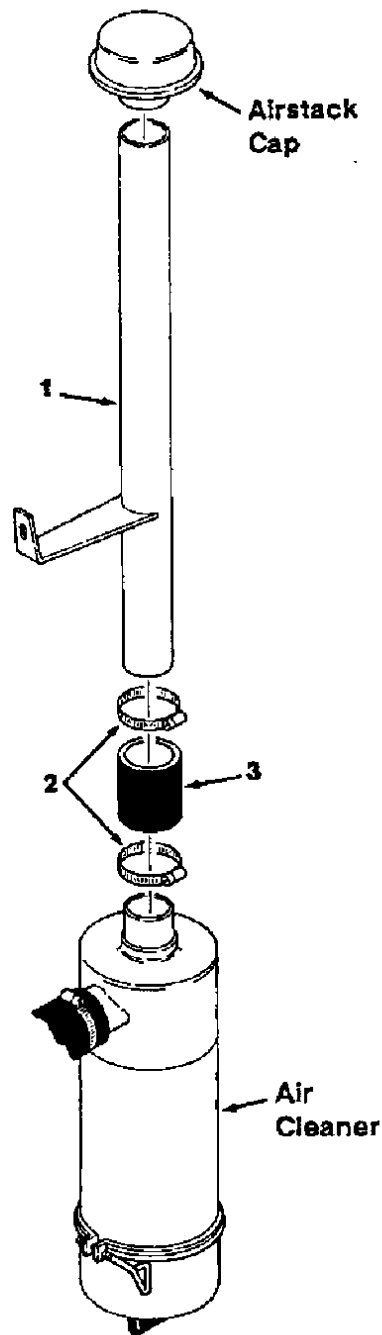


Fig. 30 - Air Filter Intake Kit

03554

Key	TENNANT® Part No.	Machine Serial Number	Description	Qty.
	34036	{000000- }	Intake Kit, Air Filter	1
1	16810	{000000- }	Tube, Air Cleaner	1
2	22297	{000000- }	Clamp, Worm Drive	2
3	15543	{000000- }	Coupling, Air Cleaner Tube	1

NOTE: To identify parts shown but not listed here, see Section 5, Low Dump Model Parts.

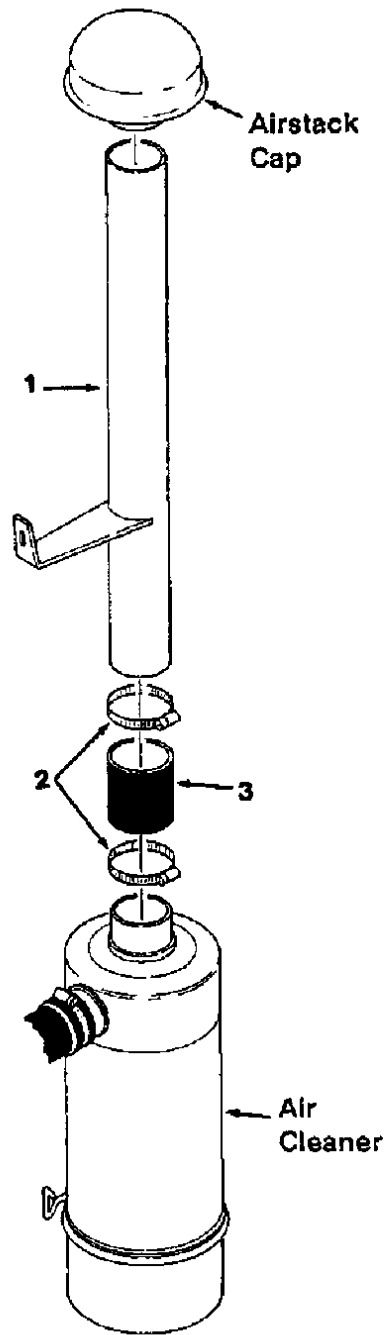


Fig. 31 – Air Filter Intake Kit, Diesel

03555

Key	TENNANT® Part No.	Machine Serial Number	Description	Qty.
	34038	(000000–)	Intake Kit, Air Filter, Diesel	1
1	16811	(000000–)	Tube, Air Cleaner	1
2	43555	(000000–)	Clamp, Worm Drive	2
3	34887	(000000–)	Coupling, Air Cleaner Tube	1

NOTE: To identify parts shown but not listed here, see Section 7, Diesel Parts, Continental, Section 8, Diesel Parts, Perkins.

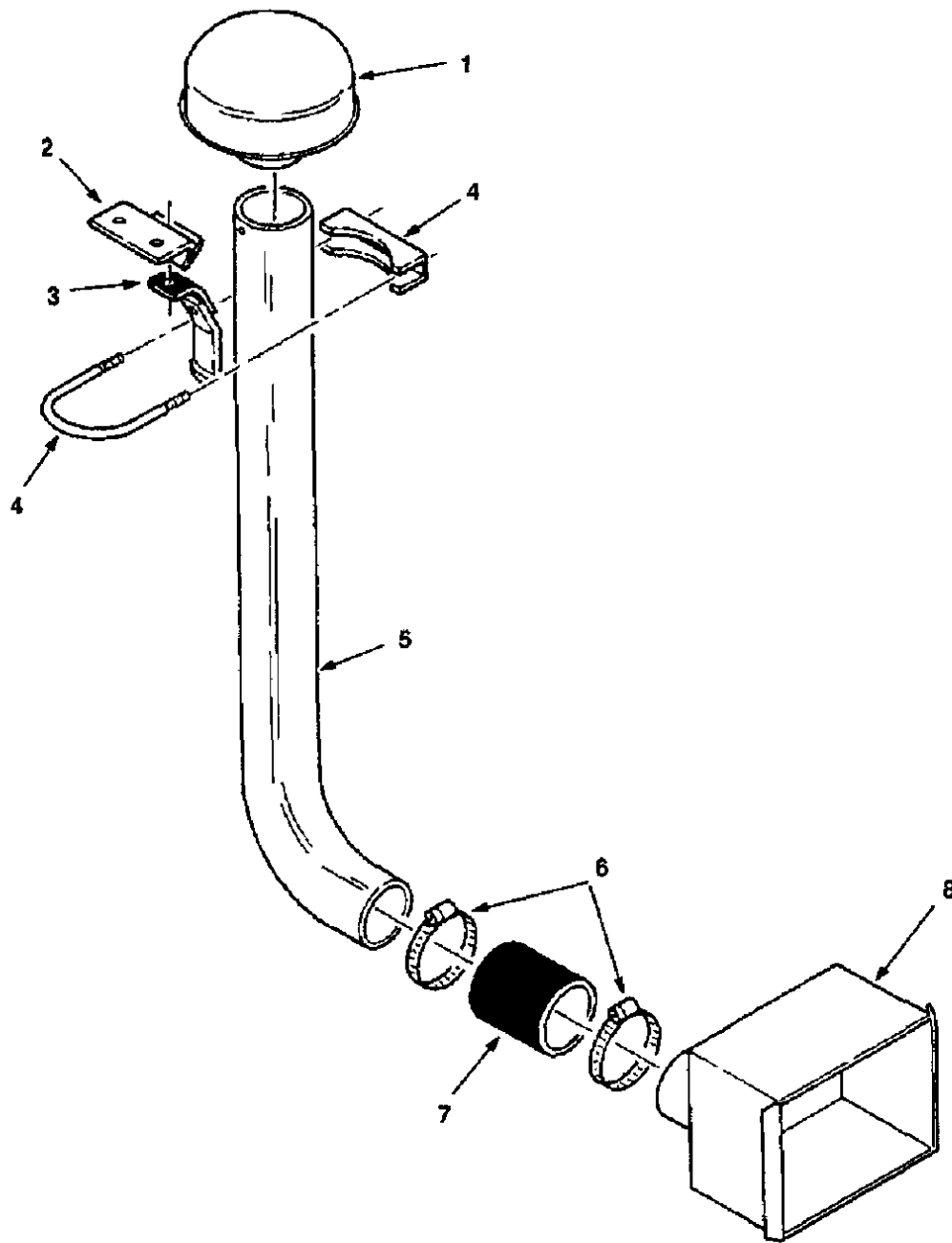


Fig. 32 - High Rise Air Intake Filter Kit

05528

Key	TENNANT® Part No.	Machine Serial Number	Description	Qty.
	25965	(000000-)	High Rise Air Intake Filter Kit	1
1	76322	(000000-)	Intake Cap Assembly	1
2	39870	(000000-)	Bracket, Support	1
3	39957	(000000-)	Support, Air Intake Tube	1
4	13888	(000000-)	Clamp, Muffler	1
5	34889	(000000-)	Tube, Air Intake	1
6	43555	(000000-)	Clamp, Wormdrive	2
7	34887	(000000-)	Hose, Coupling	1
8	34888	(000000-)	Cover, Air Cleaner	1

ACCESSORIES

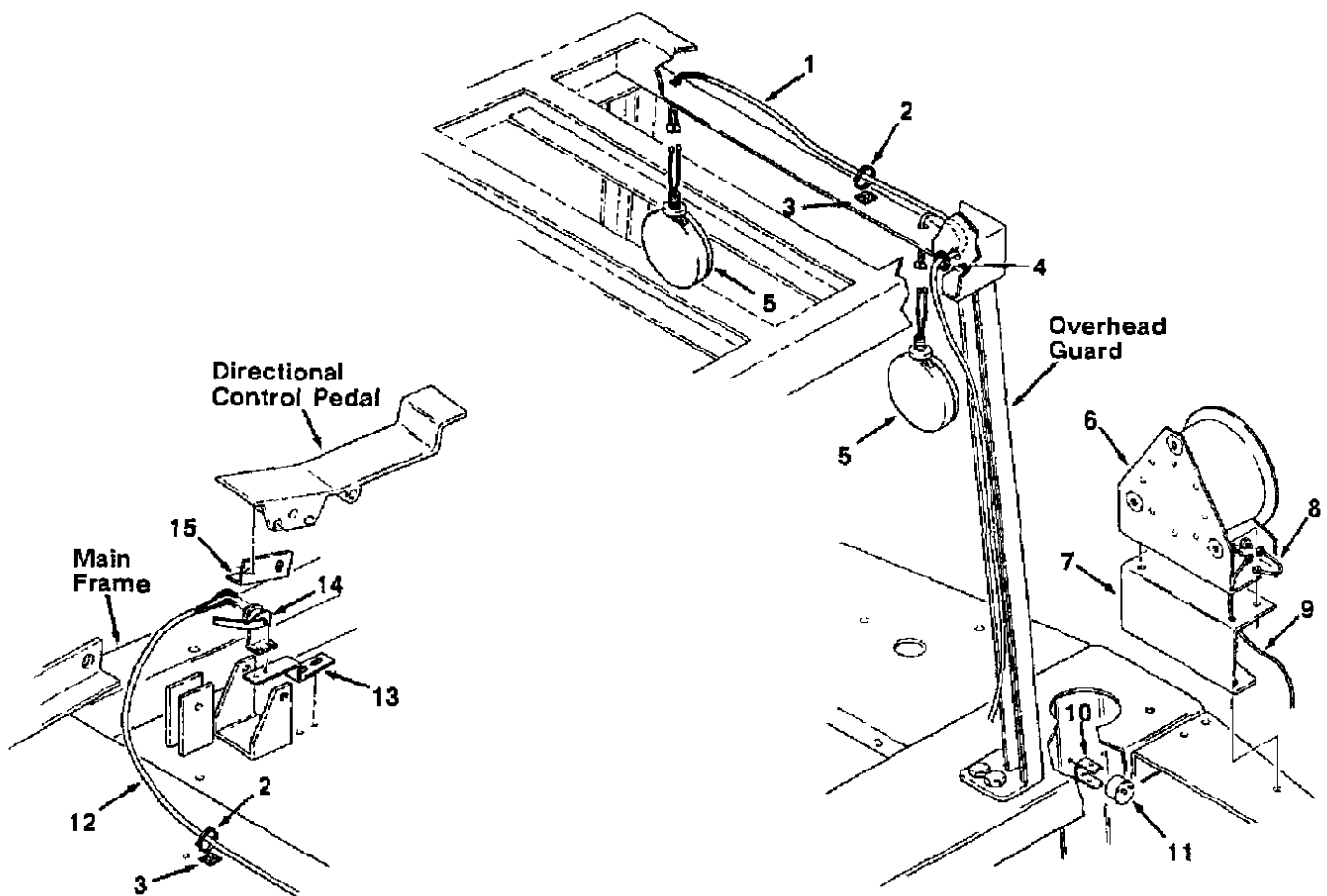


Fig. 33 - Back-Up Alarm Kit

03558

Key	TENNANT® Part No.	Machine Serial Number	Description	Qty.
	33788	(000000-)	Alarm Kit, Back-Up	1
1	33893	(000000-)	Wire Harness, Lights	1
2	49266	(000000-)	Tie, Cable	8
3	55248	(000000-)	Mount, Cable Tie	6
4	87514	(000000-)	Grommet	1
5	36438	(000000-)	Headlight Assembly	2
	36439	(000000-)	Bulb	1
6	33839	(000000-)	Horn, Back-Up Alarm	1
7	33867	(000000-)	Plate, Horn	1
8	33895	(000000-)	Wire Assembly, Ground	1
9	33894	(000000-)	Wire Harness, Horn and Flasher	1
10	24576-1	(000000-)	Bracket, Flasher	1
11	24576	(000000-)	Flasher	1
12	33896	(000000-)	Wire Harness, Switch	1
13	33879	(000000-)	Bracket, Switch	1
14	33878	(000000-)	Switch, Pedal	1
15	33891	(000000-)	Bracket, Cam	1

NOTE: To identify parts shown but not listed here, see Section 5, Low Dump Model Parts.



03452

Fig. 34 - Urethane Tire Kit

Key	TENNANT® Part No.	Machine Serial Number	Description	Qty.
1	16869	(000000-)	Urethane Tire Kit	1

CONTENTS

	Page
ORDERING REPAIR PARTS	14-3
Fig. 1 - Hydraulic Pump Breakdown, 34310	14-4
Fig. 2 - Accessories Pump Breakdown, 65145	14-5
Fig. 3 - Accessories Pump Breakdown, 57035	14-6
Fig. 4 - Accessories Pump Breakdown, 34311	14-7
Fig. 5 - Accessories Pump Breakdown, 16840	14-8
Fig. 6 - Motor Breakdown, 75025	14-9
Fig. 7 - Motor Breakdown, 34423	14-10
Fig. 8 - Motor Breakdown, 47650-1	14-11
Fig. 9 - Motor Breakdown, 77101	14-12
Fig. 10 - Motor Breakdown, 36808	14-12
Fig. 11 - Motor Breakdown, 16071	14-13
Fig. 12 - Motor Breakdown, 16814	14-13
Fig. 13 - Valve Breakdown, 34319	14-14
Fig. 14 - Valve Breakdown, 62550	14-15
Fig. 15 - Valve Breakdown, 48108A	14-16
Fig. 16 - Relief Valve Breakdown, 67515 ...	14-16
Fig. 17 - Cylinder Breakdown, 04443	14-17
Fig. 18 - Cylinder Breakdown, 34326	14-18
Fig. 19 - Cylinder Breakdown, 34327	14-19

NOTE: SECTION 14, HYDRAULIC COMPONENTS,
*lists repair parts for repairable hydraulic
components.*

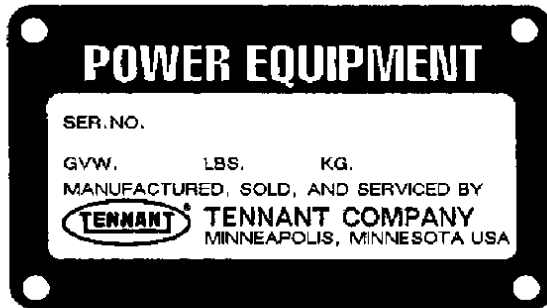
ORDERING REPAIR PARTS

The components used in this machine have been carefully selected for performance and safety. Use only Tennant Company specified or equivalent parts.

To receive prompt service in filling of your parts orders, please direct all orders for parts with Tennant Company part numbers to the Tennant Company, and all orders for parts with vendor part numbers to the local supplier of the respective vendor.

When ordering parts, please furnish all of the following information:

1. Machine model number - shown on the machine data plate.



2. Machine serial number - shown on the machine data plate.
3. Power source - gasoline, LPG, diesel, electric.
4. Company name.
5. Shipping address.
6. Billing address.
7. Name, first and last - of person ordering parts.
8. Telephone number.
9. Purchase order number.
10. Part number, description, and quantity - of each item on the order.
11. Customer ID Number.

Do not order parts by key number or the figure number of the illustrated parts. Indented items indicate parts of assemblies. Standard hardware is furnished only when part of a purchased assembly. Please get hardware from a local hardware supplier.

If the old part cannot be identified, send it to us with the quantity needed specified on the order.

Any claim for loss or damage to a shipment in transit should be filed promptly against the transportation company making the delivery. Shipments will be complete unless the packing list or order acknowledgement indicate items back ordered.

If parts received are suspected to be incorrect or defective, please write, wire, or phone the Tennant Company representative from whom you ordered the part. They will give authorization for return and/or handle replacement shipments when required.

SERIAL NUMBER INFORMATION EXPLANATION

Serial number listings are shown to indicate on which machines each part can be used. These listings are explained by the following examples:

(000000-) The part can be used on all machines.

(003342-) The part can be used on all machines beginning with the serial number listed.

(000000-004320) The part can be used on all machines up to and including serial number listed.

(004321-005678) The part can be used on all machines between and including the serial numbers listed.

Where xxxxx's are listed in place of a serial number, it indicates a change was made but the exact serial number had not been established when the catalog went to press.

**SI UNITS OF MEASURE
(INTERNATIONAL SYSTEM)**

Metric equivalents have been included, where applicable, throughout this parts catalog.

FASTENER STRENGTH IDENTIFICATION

Fasteners required to have high-strength qualities equivalent to SAE Grade 8 are identified throughout this catalog by the description GR 8. Unless identified by this description, all standard fasteners are SAE Grade 5.

(Specifications and design subject to change without notice.)

HYDRAULIC COMPONENTS

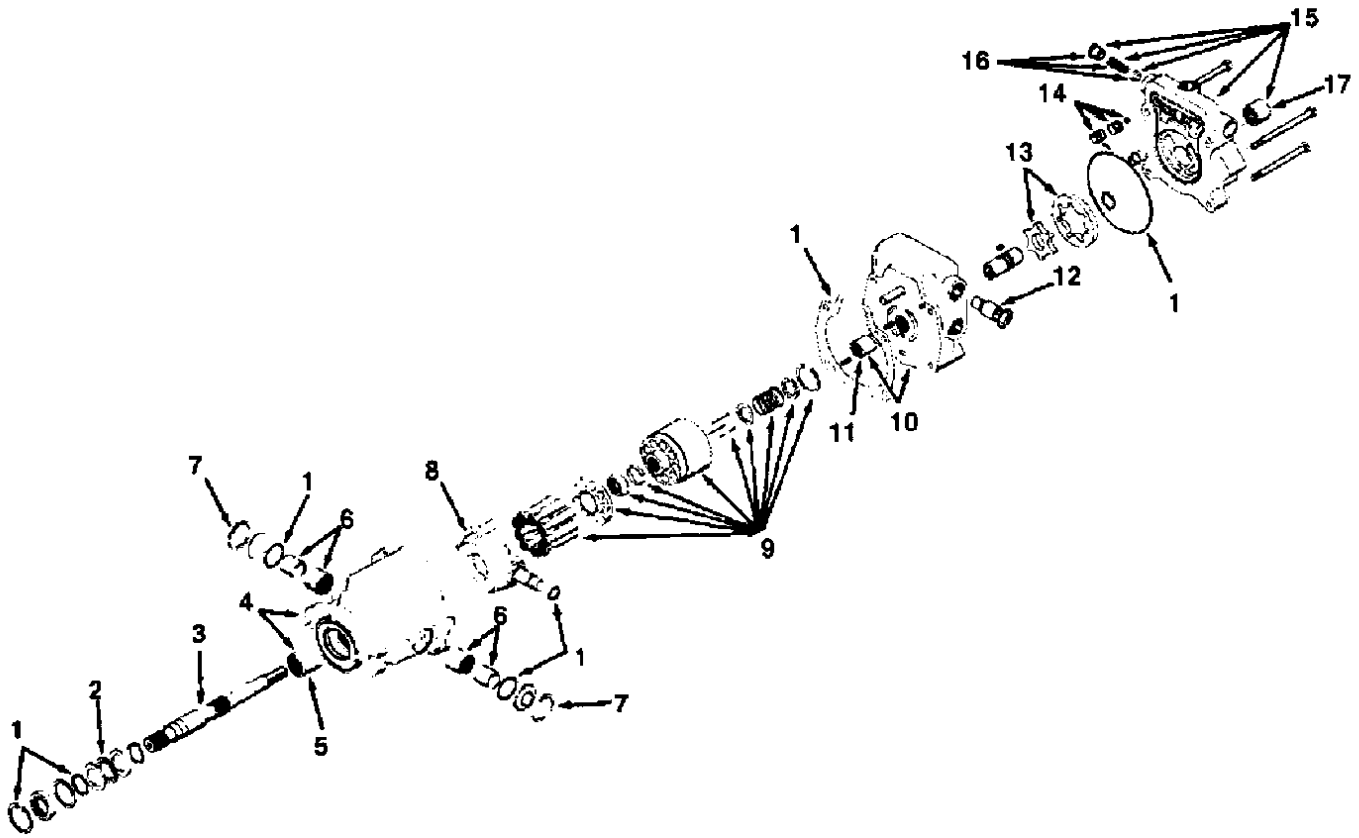
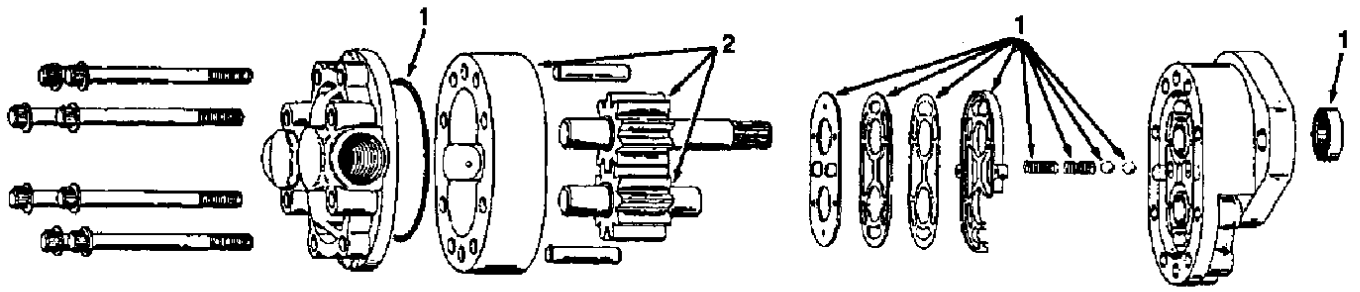


Fig. 1 - Hydraulic Pump Breakdown, 34310

01669

Key	TENNANT® Part No.	Machine Serial Number	Description	Qty.
	34310	(000000-)	Pump, Hydraulic	1
1	34092	(000000-)	Seal Kit	1
2	37467	(000000-)	Bearing, Thrust	1
3	34094	(000000-)	Shaft	1
4	37453	(000000-)	Housing Assembly, Pump	1
5	37462	(000000-)	Bearing	1
6	34097	(000000-)	Bearing	2
7	55926	(000000-)	Ring, Retaining	2
8	37451	(000000-)	Plate, Cam	1
9	37450	(000000-)	Piston Block Assembly	1
10	34158	(000000-)	Housing Assembly, Relief	1
11	34159	(000000-)	Bearing	1
12	34160	(000000-)	Valve, Relief	2
13	34161	(000000-)	Pump Kit, Charge	1
14	SK2586	(000000-)	Valve Assembly, Check	1
15	34162	(000000-)	Adaptor Assembly	1
16	55936	(000000-)	Valve Assembly, Relief	1
17	55929	(000000-)	Bearing	1

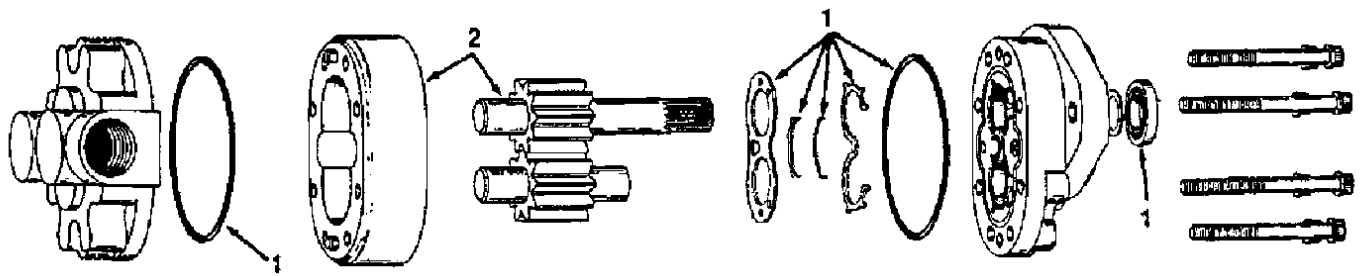


01238

Fig. 2 - Accessories Pump Breakdown, 65145

Key	TENNANT® Part No.	Machine Serial Number	Description	Qty.
	65145	(000000-003201)	Pump, Accessories	1
1	SK1700	(000000-003201)	Seal Kit	1
2	34090	(000000-003201)	Gear and Housing Kit	1

HYDRAULIC COMPONENTS



04229

Fig. 3 - Accessories Pump Breakdown, 57035

Key	TENNANT® Part No.	Machine Serial Number	Description	Qty.
	57035	(003202-)	Pump, Hydraulic Gear	1
1	57064	(003202-)	Seal Kit	1
2	57063	(003202-)	Repair Kit	1

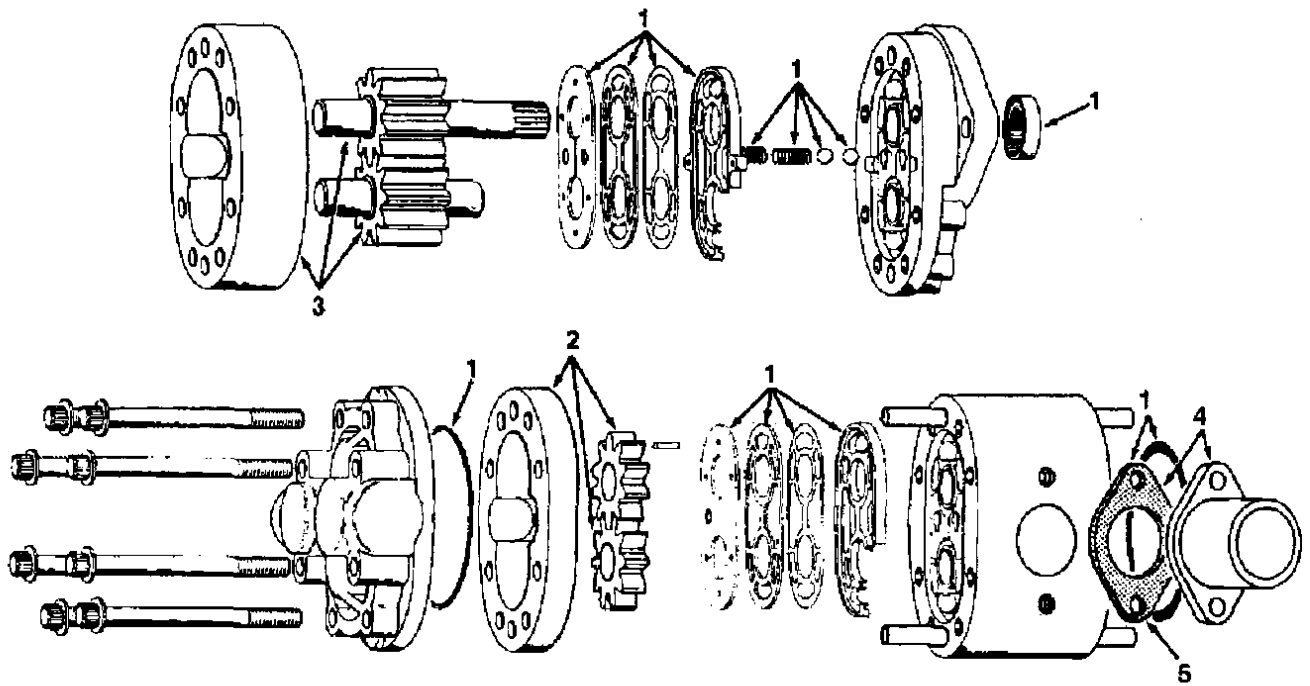
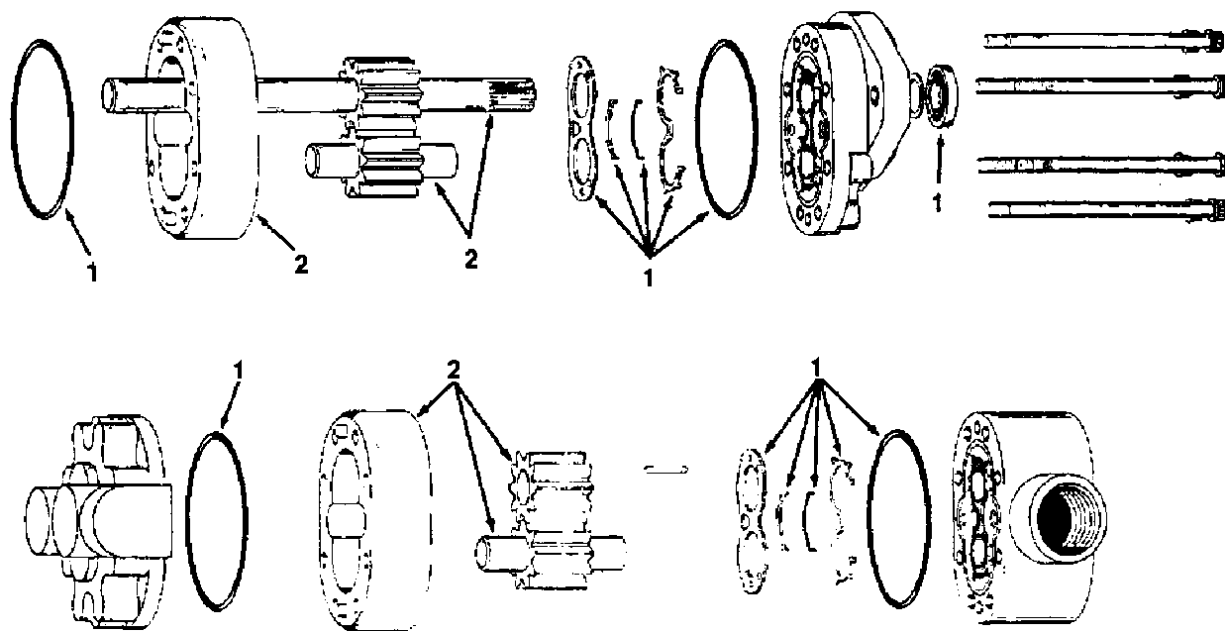


Fig. 4 - Accessories Pump Breakdown, 34311

01670

Key	TENNANT® Part No.	Machine Serial Number	Description	Qty.
	34311	(000000-003201)	Pump, Accessories	1
1	34163	(000000-003201)	Seal Kit	1
2	34088	(000000-003201)	Rear Section Kit	1
3	34087	(000000-003201)	Front Section Kit	1
4	34086	(000000-003201)	Adapter, Port	1
5	34419	(000000-003201)	Gasket	1

HYDRAULIC COMPONENTS



03574

Fig. 5 - Accessories Pump Breakdown, 16840

Key	TENNANT® Part No.	Machine Serial Number	Description	Qty.
	16840	(003202-)	Pump, Accessories	1
1	57064	(003202-)	Seal Kit	1
2	08021	(003202-)	Body and Gear Kit	1

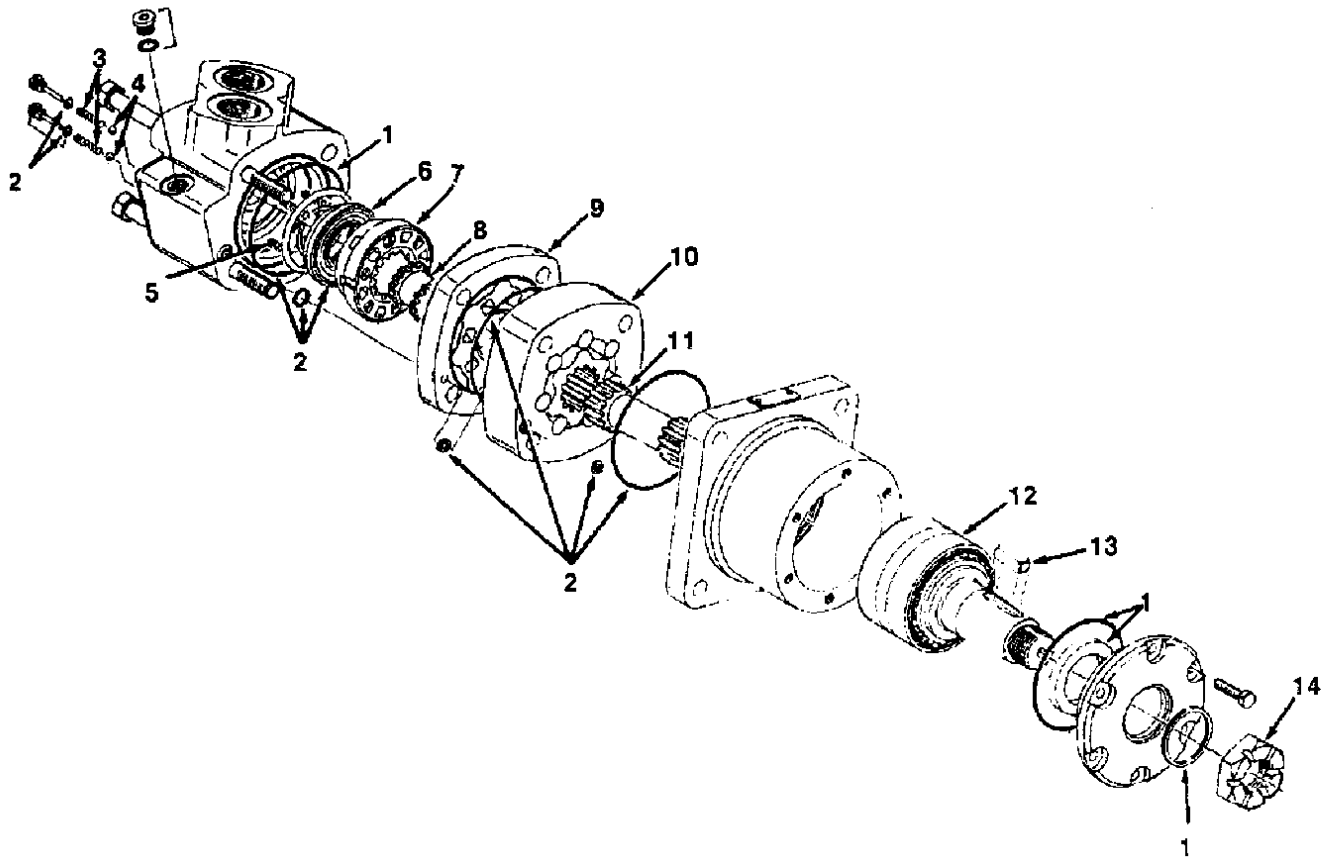


Fig. 6 - Motor Breakdown, 75025

01655

Key	TENNANT® Part No.	Machine Serial Number	Description	Qty.
	75025	(000000-)	Motor, Propelling	1
1	SK1547	(000000-)	Seal Kit, Shaft	1
2	SK1614	(000000-)	Seal Kit, Overhaul	1
3	34179	(000000-)	Spring	2
4	37766	(000000-)	Ball, Steel	3
5	34178	(000000-)	Spring	3
6	37723	(000000-)	Plate, Balance	1
7	34185	(000000-)	Valve	1
8	34183	(000000-)	Drive, Valve	1
9	34184	(000000-)	Plate, Valve	1
10	34182	(000000-)	Gerotor	1
11	34181	(000000-)	Drive	1
12	34180	(000000-)	Shaft and Bearing Kit	1
13	45623	(000000-)	Key	1
14	45622	(000000-)	Nut	1

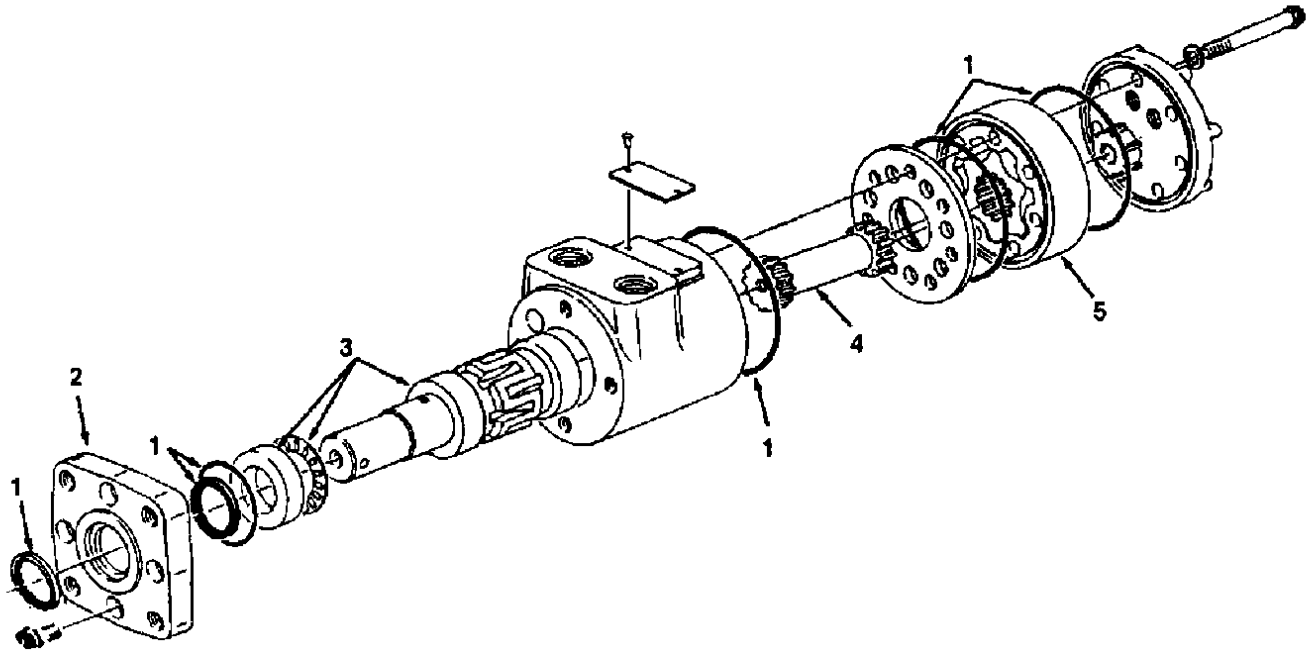


Fig. 7 - Motor Breakdown, 34423

01656

Key	TENNANT® Part No.	Machine Serial Number	Description	Qty.
	34423	{000000- }	Motor, Hydraulic	1
1	47649	(000000-)	Seal Kit	1
2	34174	(000000-)	Flange, Mounting	1
3	34175	(000000-)	Shaft Assembly, Output	1
4	34176	(000000-)	Drive	1
5	34177	(000000-)	Gerotor Set	1

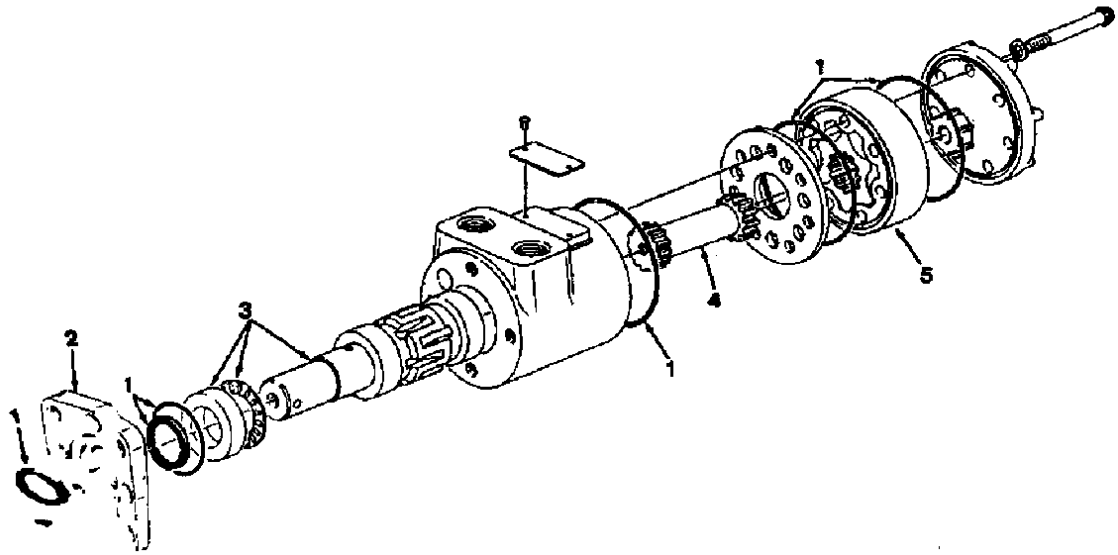


Fig. 8 - Motor Breakdown, 47650-1

01503

Key	TENNANT® Part No.	Machine Serial Number	Description	Qty.
	47650-1	(000000-)	Motor, Hydraulic	1
1	47649	(000000-)	Seal Kit	1
2	34174	(000000-)	Flange, Mounting	1
3	34171	(000000-)	Shaft Assembly, Output	1
4	34172	(000000-)	Drive	1
5	34173	(000000-)	Gerotor Set	1

HYDRAULIC COMPONENTS

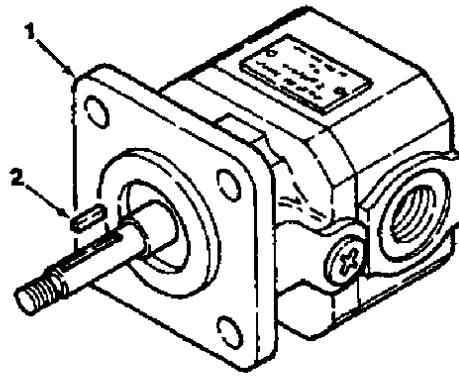


Fig. 9 - Motor Breakdown, 77101

02613

Key	TENNANT® Part No.	Machine Serial Number	Description	Qty.
1	77101	(000000-)	Motor, Hydraulic	1
	SK2561	(000000-)	Seal Kit	1
2	00966	(000000-)	Key, Square	1

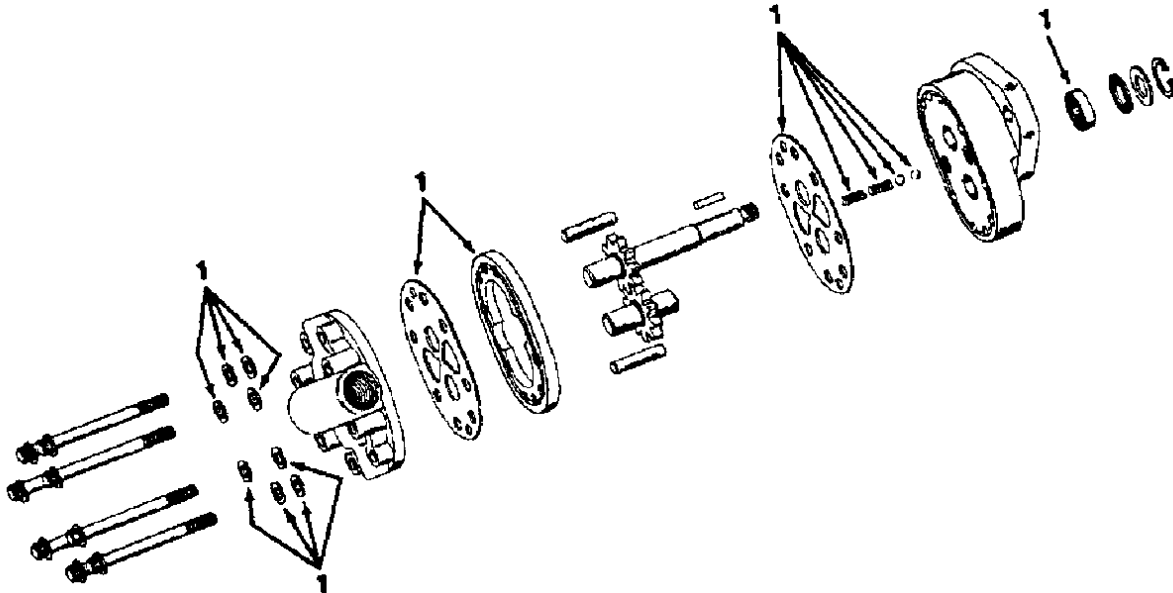


Fig. 10 - Motor Breakdown, 36808

00618

Key	TENNANT® Part No.	Machine Serial Number	Description	Qty.
1	36808	(000000-001508)	Motor, Hydraulic	1
	SK2009	(000000-001508)	Seal Kit	1

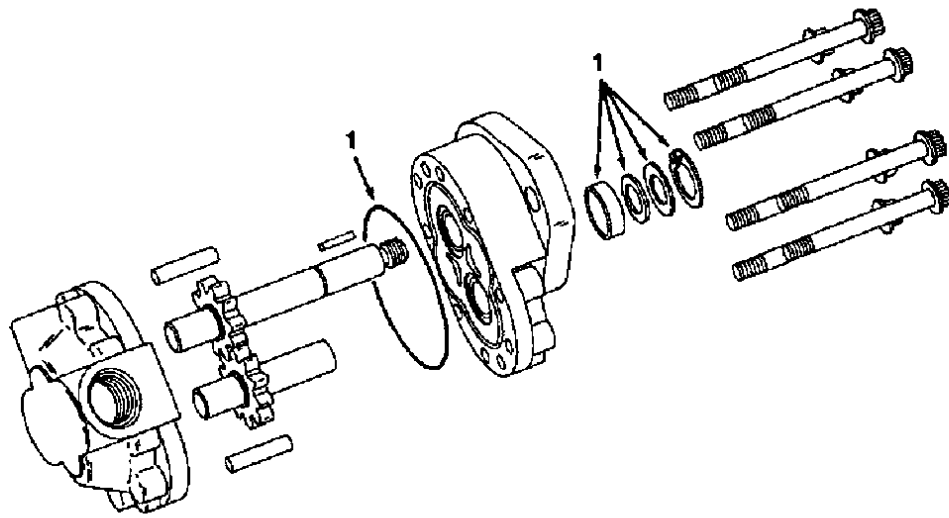


Fig. 11 - Motor Breakdown, 16071

02780

Key	TENNANT® Part No.	Machine Serial Number	Description	Qty.
	16071	(001509-003201)	Motor, Hydraulic	1
1	16072	(001509-003201)	Seal Kit	1

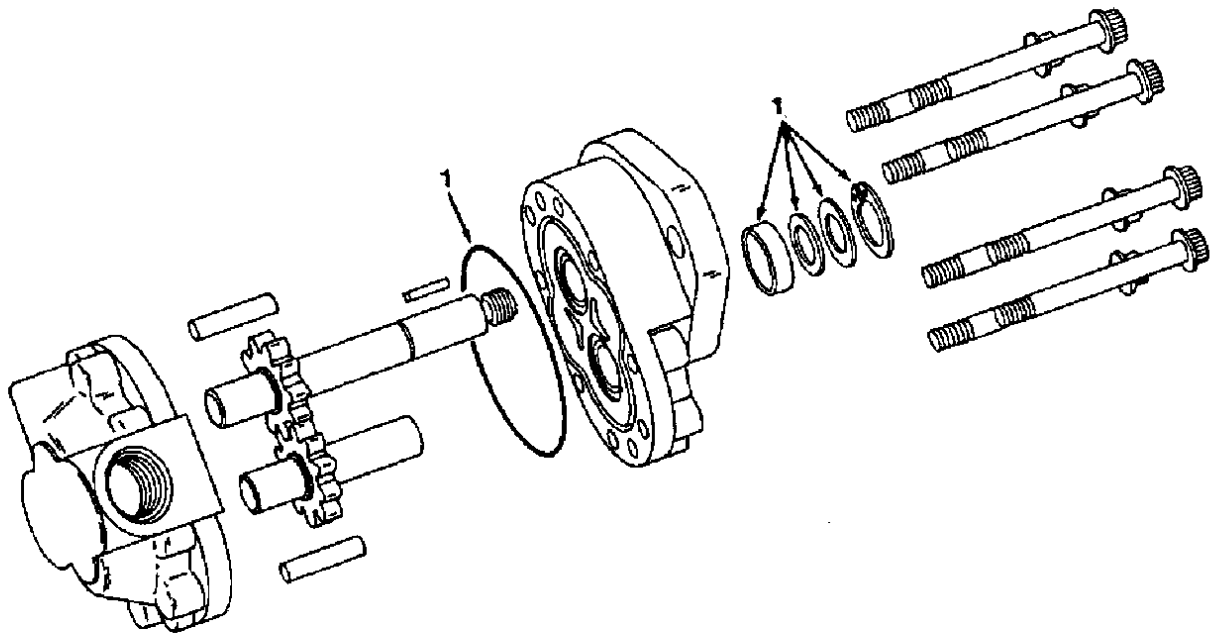


Fig. 12 - Motor Breakdown, 16814

03573

Key	TENNANT® Part No.	Machine Serial Number	Description	Qty.
	16814	(003202-)	Motor, Hydraulic	1
1	16072	(003202-)	Seal Kit	1

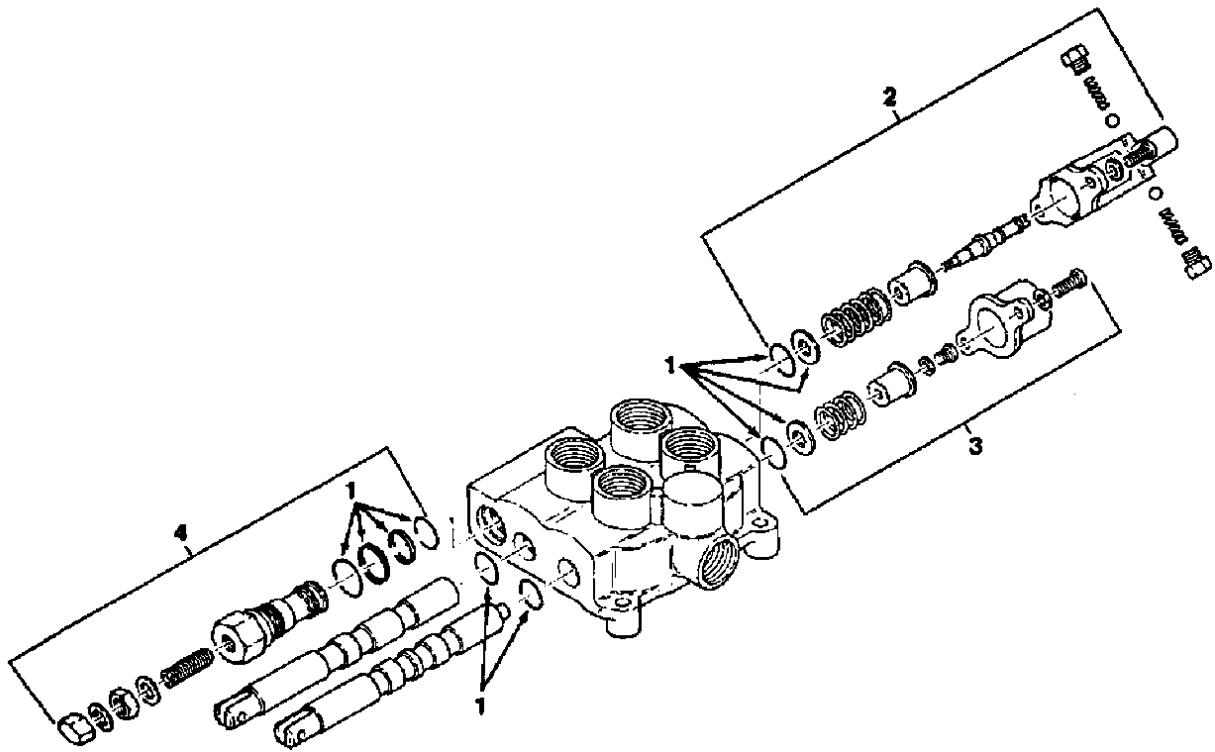


Fig. 13 - Valve Breakdown, 34319

02563

Key	TENNANT® Part No.	Machine Serial Number	Description	Qty.
	34319	(000000-)	Valve, Hydraulic	1
1	01666	(000000-)	Seal Kit	1
2	01669	(000000-)	Detent Kit	1
3	01673	(000000-)	Spring Kit, Centering	1
4	01818	(000000-)	Relief Assembly	1

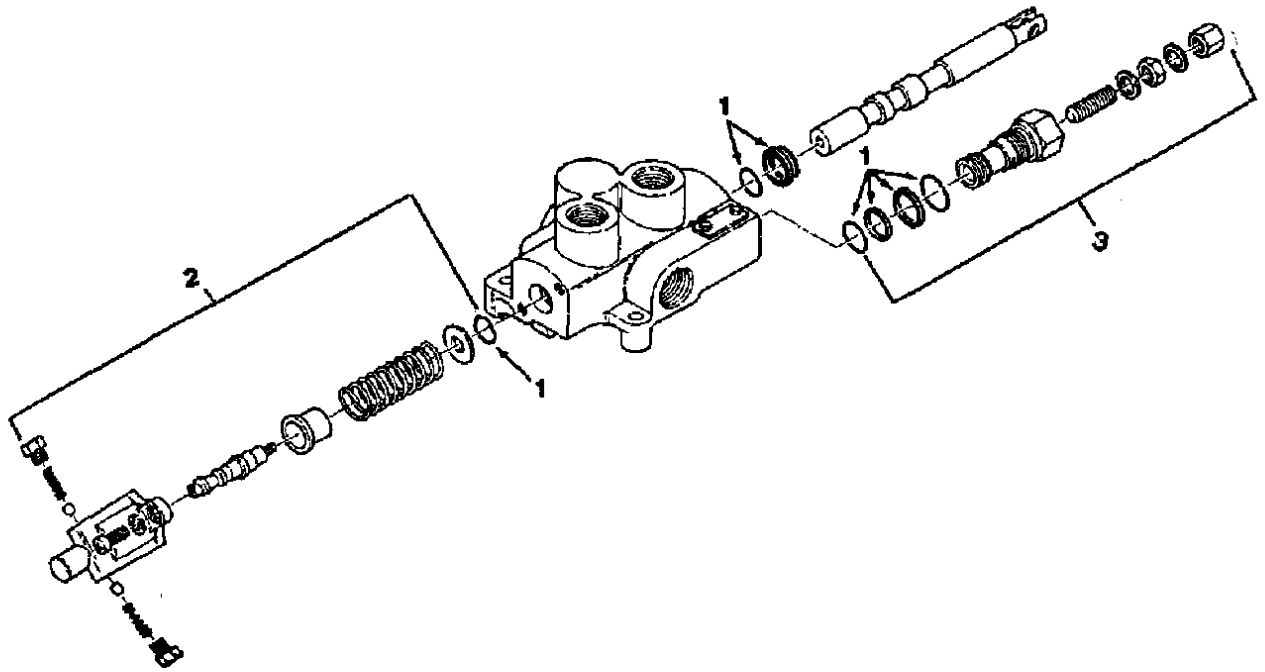


Fig. 14 - Valve Breakdown, 62550

02581

Key	TENNANT® Part No.	Machine Serial Number	Description	Qty.
	62550	(000000-)	Valve, Hydraulic	1
1	01666	(000000-)	Seal Kit	1
2	01669	(000000-)	Detent Kit	1
3	01817	(000000-)	Relief Assembly	1

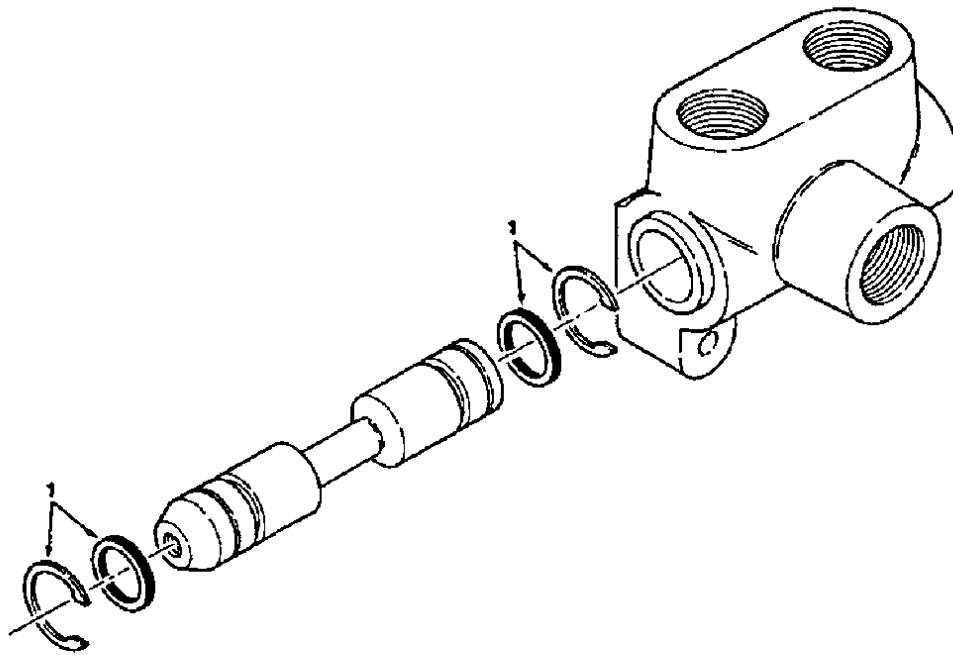


Fig. 15 - Valve Breakdown, 48108A

04231

Key	TENNANT® Part No.	Machine Serial Number	Description	Qty.
1	48108A	(000000-003201)	Valve, Hydraulic	1
	SK1288	(000000-003201)	Seal Kit	1

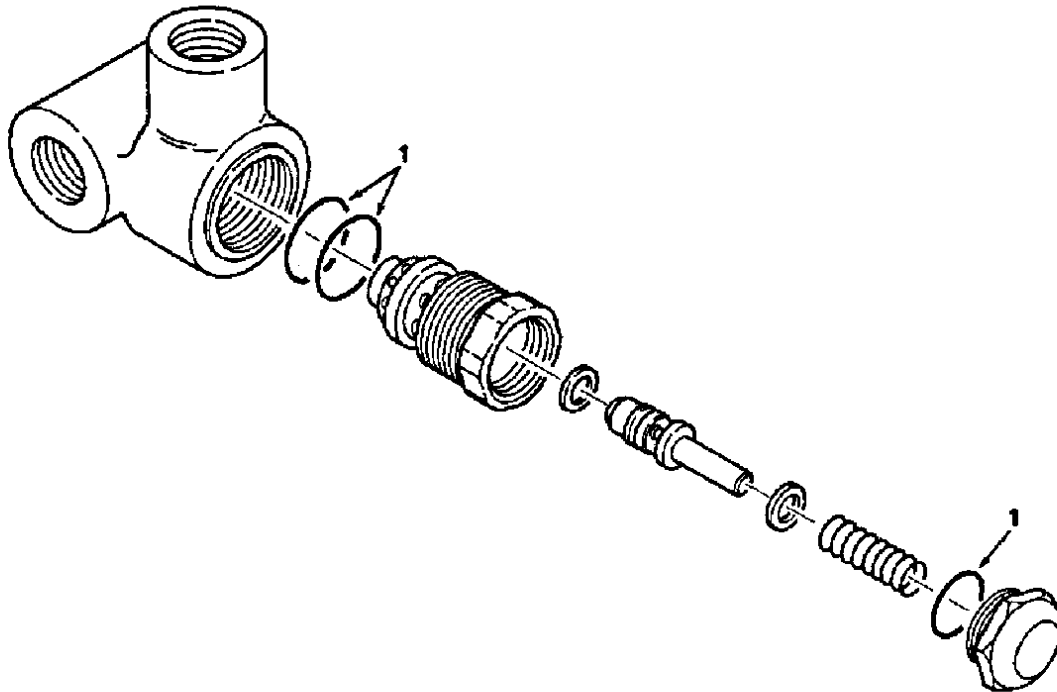


Fig. 16 - Relief Valve Breakdown, 67515

02658

Key	TENNANT® Part No.	Machine Serial Number	Description	Qty.
1	67515	(000000-)	Valve, Relief, Hydraulic	1
	SK1741	(000000-)	Seal Kit	1

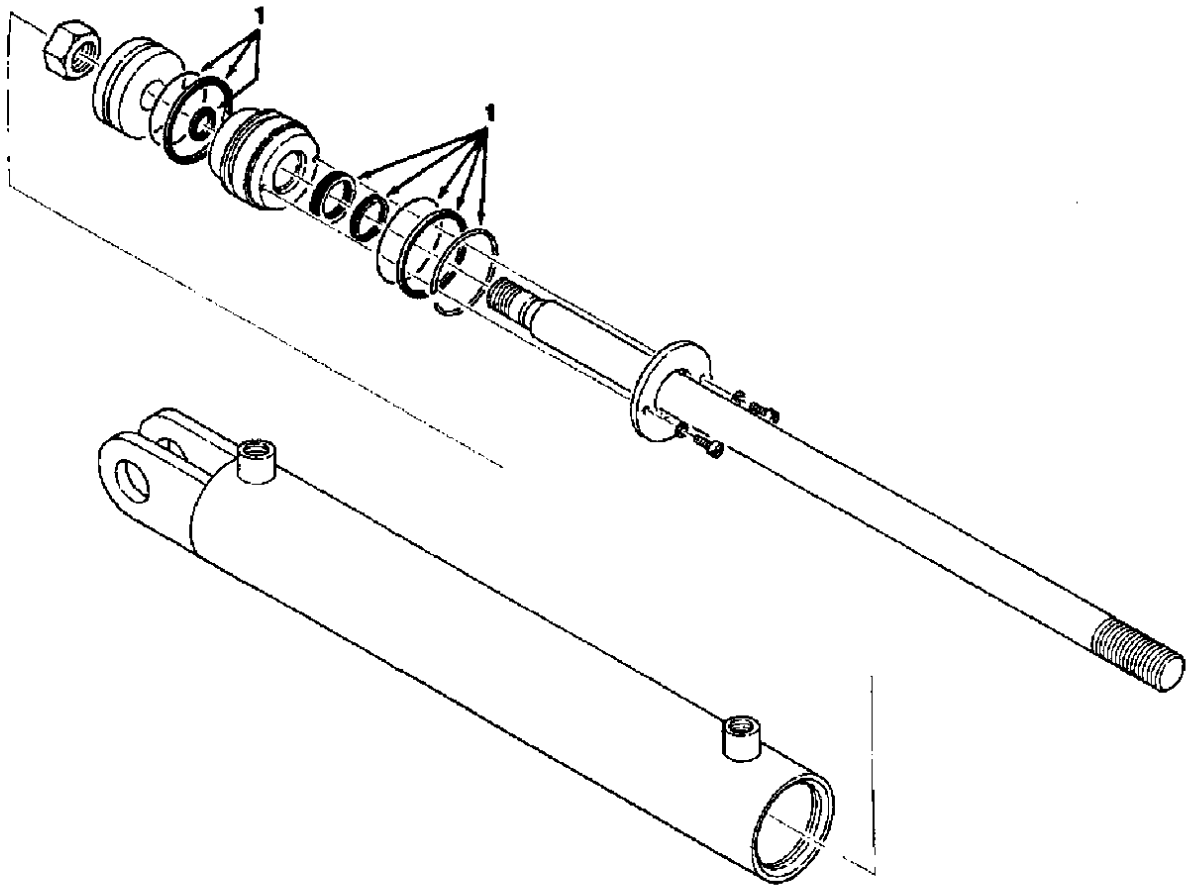


Fig. 17 - Cylinder Breakdown, 04443

02819

Key	TENNANT® Part No.	Machine Serial Number	Description	Qty.
1	04443	(000000-)	Cylinder, Hydraulic	1
	04477	(000000-)		

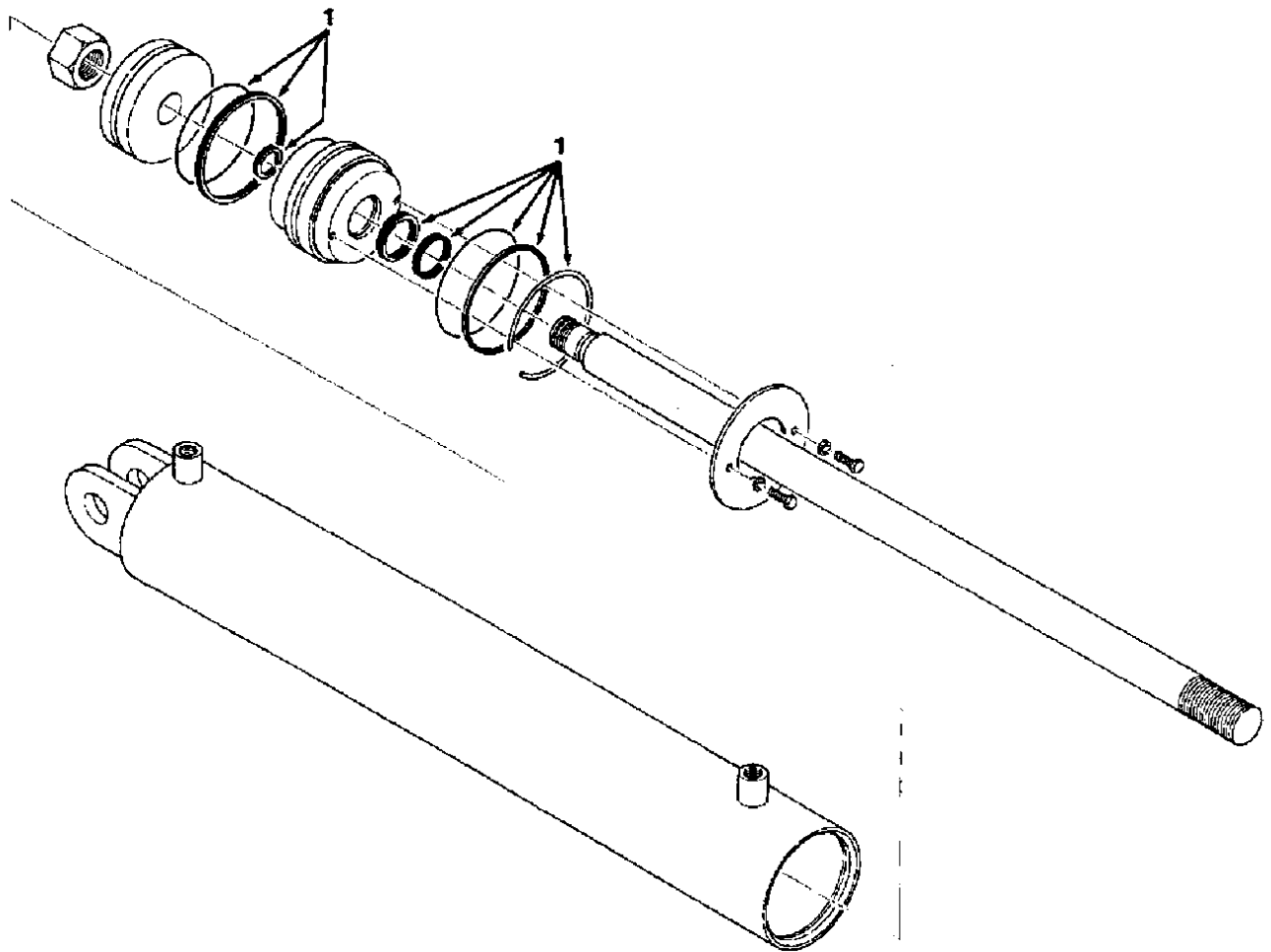


Fig. 18 - Cylinder Breakdown, 34326

02820

Key	TENNANT® Part No.	Machine Serial Number	Description	Qty.
1	34326	(000000-)	Cylinder, Hydraulic	1
	34779	(000000-)	Seal Kit	1

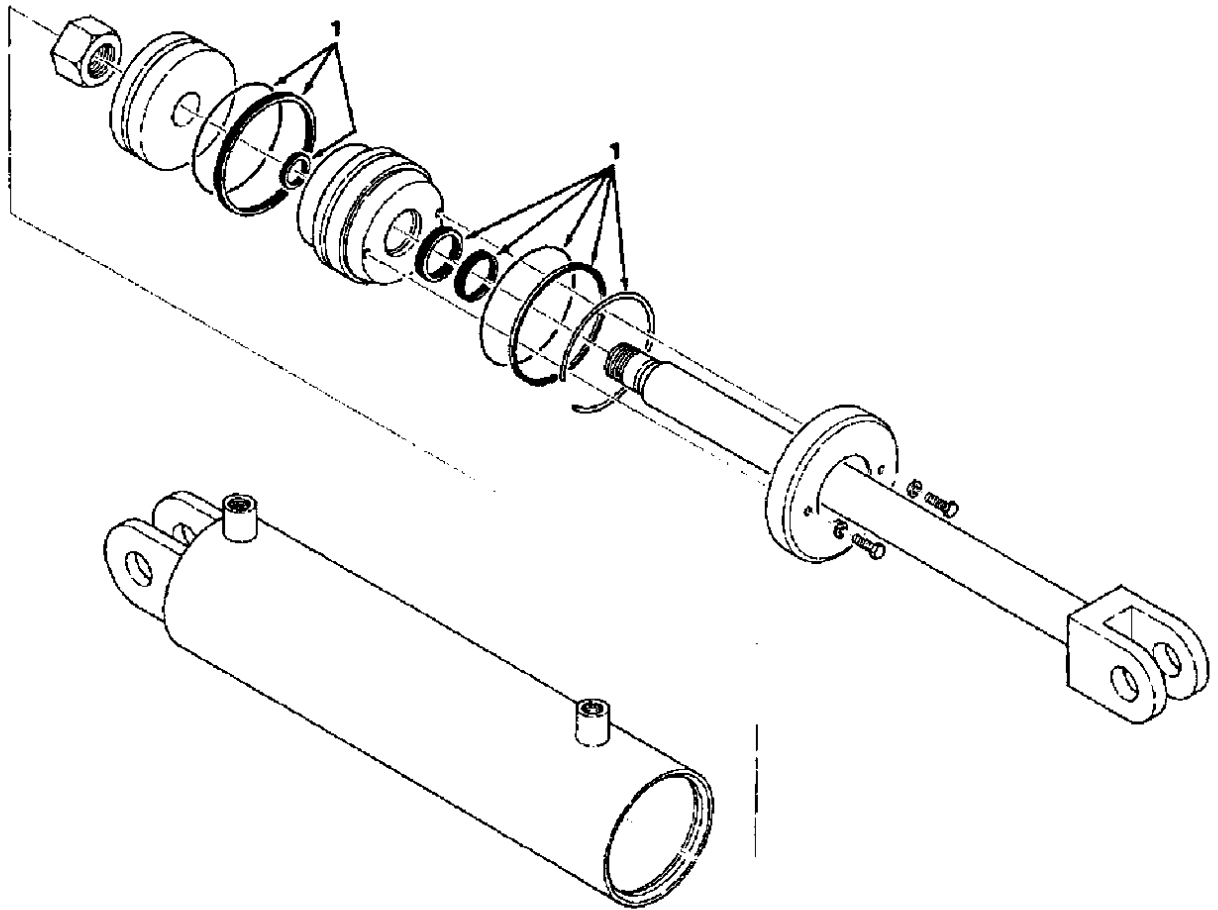


Fig. 19 - Cylinder Breakdown, 34327

02821

Key	TENNANT® Part No.	Machine Serial Number	Description	Qty.
1	34327	(000000-)	Cylinder, Hydraulic	1
	34781	(000000-)	Seal Kit	1

CONTENTS

	Page
ORDERING REPAIR PARTS	15-3
Fig. 1 - Engine Block Group	15-4
Fig. 2 - Cylinder Head Group	15-6
Fig. 3 - Camshaft Group	15-8
Fig. 4 - Crankshaft Group	15-9
Fig. 5 - Piston Group	15-10
Fig. 6 - Oil Pump Group	15-11
Fig. 7 - Gear Cover Group	15-12
Fig. 8 - Flywheel and Starter Group	15-13
Fig. 9 - Intake and Exhaust Manifold Group	15-14
Fig. 10 - Water Pump Group	15-15
Fig. 11 - Water Header and Thermostat Group	15-16
Fig. 12 - Carburetor and Controls Group ...	15-17
Fig. 13 - Distributor and Fuel Pump Group .	15-18
Fig. 14 - Oil Filter Group	15-20

NOTE: SECTION 15, ENGINE PARTS, GASOLINE, LPG, lists repair parts for gasoline powered engines, TENNANT part numbers 34920, 16860, and 31935, and LPG powered engines, TENNANT part numbers 34930, 16870, and 31936. To determine which engine you have, check your machine serial number against those listed in SECTION 5, LOW DUMP MODEL PARTS or SECTION 6, LPG PARTS.



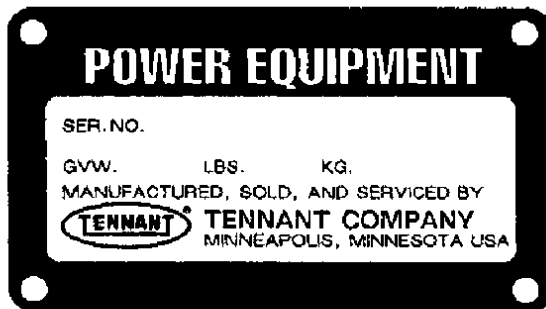
ORDERING REPAIR PARTS

The components used in this machine have been carefully selected for performance and safety. Use only Tennant Company specified or equivalent parts.

To receive prompt service in filling of your parts orders, please direct all orders for parts with Tennant Company part numbers to the Tennant Company, and all orders for parts with vendor part numbers to the local supplier of the respective vendor.

When ordering parts, please furnish all of the following information:

1. Machine model number - shown on the machine data plate.



2. Machine serial number - shown on the machine data plate.
3. Power source - gasoline, LPG, diesel, electric.
4. Company name.
5. Shipping address.
6. Billing address.
7. Name, first and last - of person ordering parts.
8. Telephone number.
9. Purchase order number.
10. Part number, description, and quantity - of each item on the order.
11. Customer ID Number.

Do not order parts by key number or the figure number of the illustrated parts. Indented items indicate parts of assemblies. Standard hardware is furnished only when part of a purchased assembly. Please get hardware from a local hardware supplier.

If the old part cannot be identified, send it to us with the quantity needed specified on the order.

Any claim for loss or damage to a shipment in transit should be filed promptly against the transportation company making the delivery. Shipments will be complete unless the packing list or order acknowledgement indicate items back ordered.

If parts received are suspected to be incorrect or defective, please write, wire, or phone the Tennant Company representative from whom you ordered the part. They will give authorization for return and/or handle replacement shipments when required.

SERIAL NUMBER INFORMATION EXPLANATION

Serial number listings are shown to indicate on which machines each part can be used. These listings are explained by the following examples:

{000000- } The part can be used on all machines.

{003342- } The part can be used on all machines beginning with the serial number listed.

{000000-004320} The part can be used on all machines up to and including serial number listed.

{004321-005678} The part can be used on all machines between and including the serial numbers listed.

Where xxxxx's are listed in place of a serial number, it indicates a change was made but the exact serial number had not been established when the catalog went to press.

SI UNITS OF MEASURE
(INTERNATIONAL SYSTEM)

Metric equivalents have been included, where applicable, throughout this parts catalog.

FASTENER STRENGTH IDENTIFICATION

Fasteners required to have high-strength qualities equivalent to SAE Grade 8 are identified throughout this catalog by the description GR 8. Unless identified by this description, all standard fasteners are SAE Grade 5.

(Specifications and design subject to change without notice.)

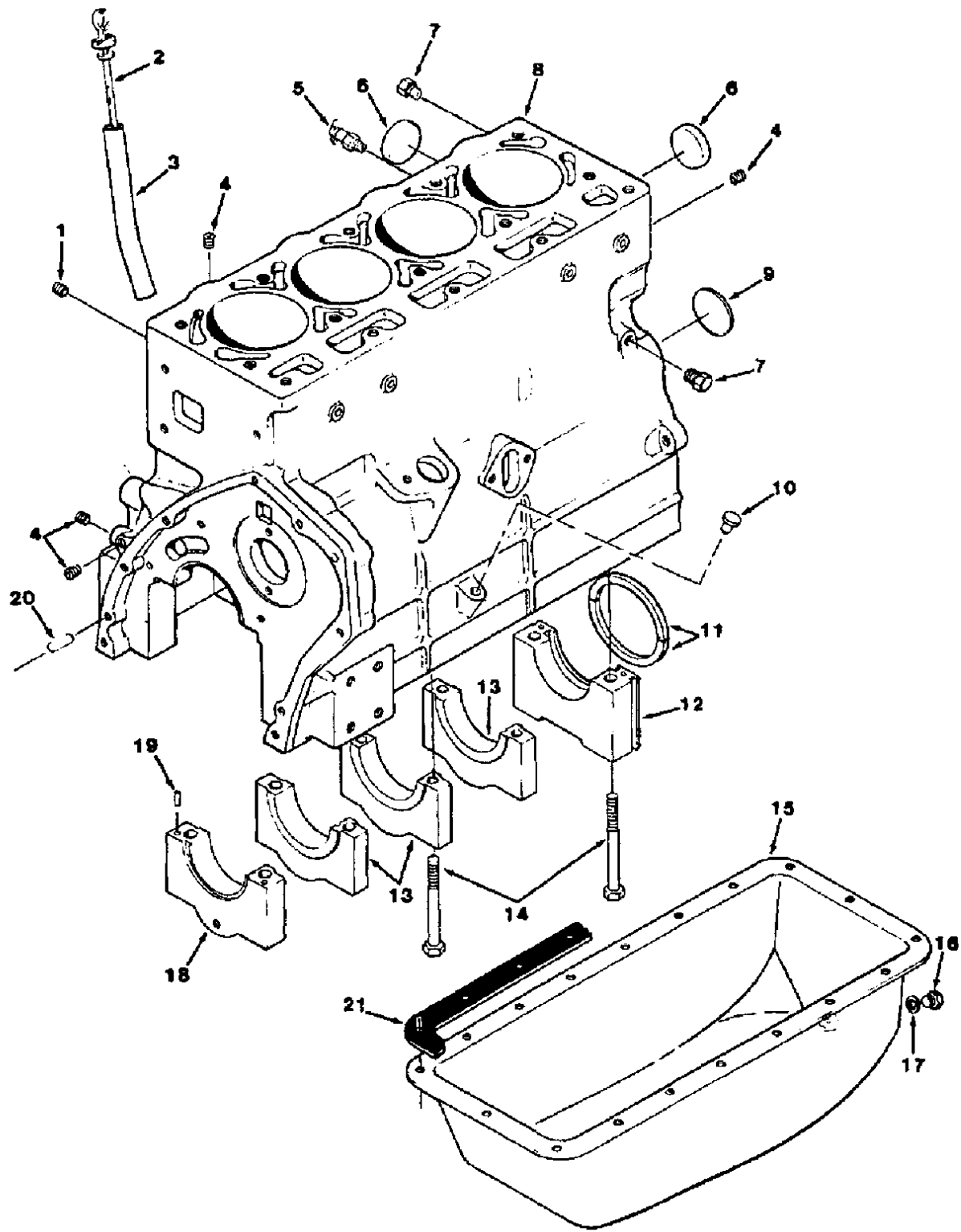


Fig. 1 - Engine Block Group

Fig. 1 - Engine Block Group

Key	TENNANT® Part No.	Teledyne Continental Part Number	Engine Serial Number	Description	Qty.
1		X00110	(000000-) Plug, Crankcase	1
2	38404	TM27100418	(000000-) Rod, Oil Gauge	1
3		TM27100406	(000000-) Tube, Oil Gauge	1
4		X00137A	(000000-) Plug, Crankcase	5
5	51305	X01015	(000000-) Cock, Drain	1
6	38414	X02279	(000000-) Plug, Cup	5
7		X26129	(000000-) Plug	2
8	34791	TM27A600610R	(000000-004677)	Short Block Assembly, R, Includes: Block, Tappets, Camshaft, Crankshaft, Main Bearings, Bearing Caps, Pistons, Piston Pins, Piston Rings, Connecting Rods, Rod Bearings, Thrustplate, Cam Gear, Gear, Oil Pump, Oil Gauge Support, and Gasket Set	1
8	31945	TM27A615605R	(004678-) Short Block Assembly, R, Includes: Block, Tappets, Camshaft, Crankshaft, Main Bearings, Bearing Caps, Pistons, Piston Pins, Piston Rings, Connecting Rods, Rod Bearings, Thrustplate, Cam Gear, Gear, Oil Pump, Oil Gauge Support, and Gasket Set	1
8	38582	TM27A600810S	(000000-004677)	Long Block Assembly, S, Includes: R Short Block Assembly Plus - Head, Guides, Valves and Associated Parts, Rocker Arm Shaft Assembly, Pushrods, Head Cover, Gear Cover, Oil Pan, Oil Filler Cap, and Gasket Set	1
8	31944	TM27A615802S	(004678-) Long Block Assembly, S, Includes: R Short Block Assembly Plus - Head, Guides, Valves and Associated Parts, Rocker Arm Shaft Assembly, Pushrods, Head Cover, Gear Cover, Oil Pan, Oil Filler Cap, and Gasket Set	1
9	38413	X02208	(000000-) Plug, Expansion	1
10		X07663	(000000-) Plug, Crankcase	1
11	38408	TM27L00513	(000000-) Seal, Oil	2
12		TM27B00500	(000000-) Cap and Filler Block, Rear Bearing	1
13		TM27B00401	(000000-) Cap, Crankshaft Bearing	3
14		XM32018	(000000-) Screw	10
		TM27B05071	(000000-) Pan Assembly, Oil	1
15	38398	TM27B05070	(000000-) Pan, Oil	1
16	38082	F400B00282	(000000-) Plug, Drain	1
17		X14583	(000000-) Washer, Drain Plug	1
18		TM27B00400	(000000-) Cap, Crankshaft	1
19		F600B00242	(000000-) Dowel, Bearing Cap	4
20		X17025	(000000-) Pin, Dowel	2
21		TM27T00107	(000000-) Gasket, Oil Pan, Form-In-Place	1

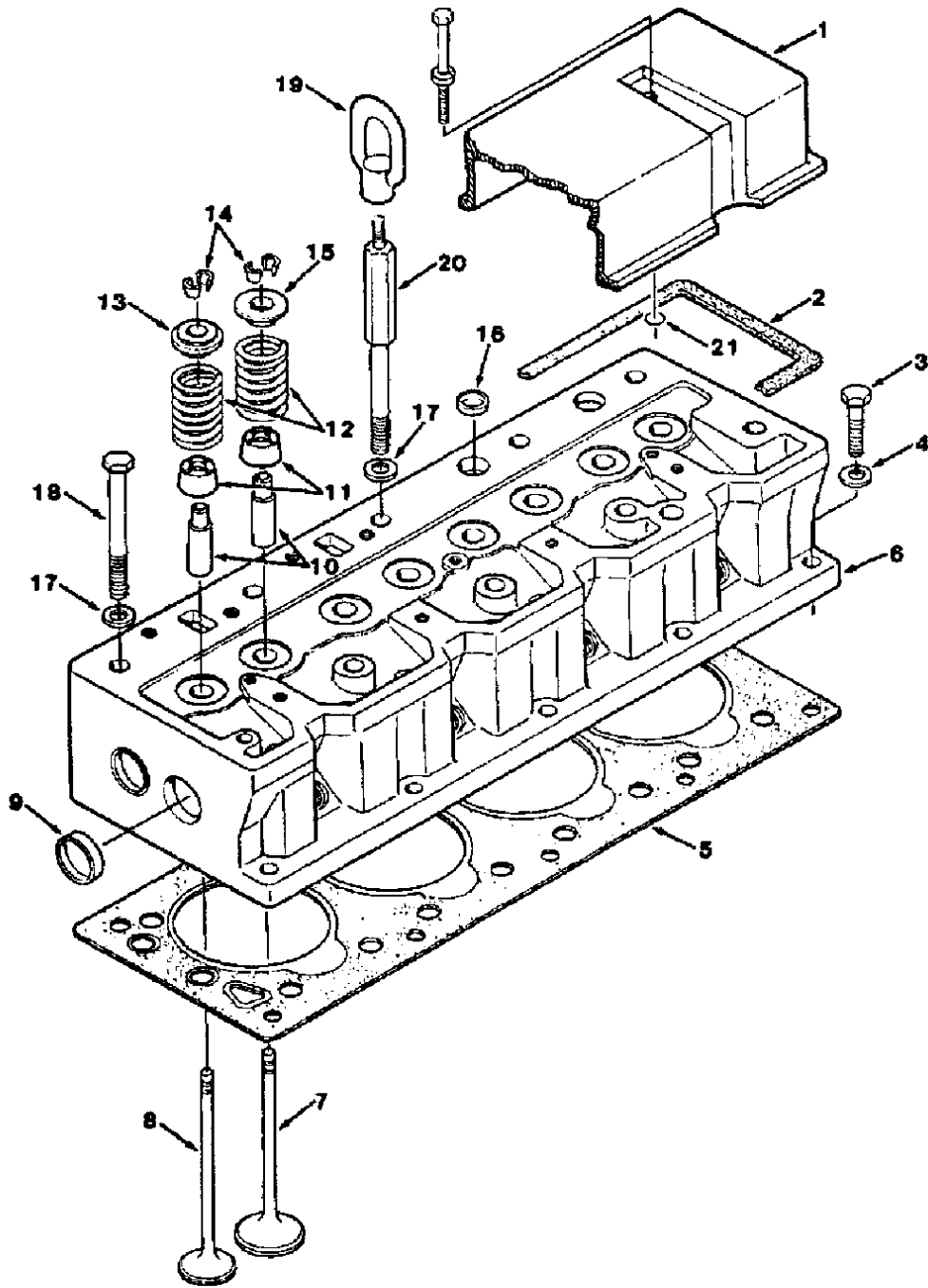


Fig. 2 - Cylinder Head Group

Fig. 2 - Cylinder Head Group

Key	TENNANT® Part No.	Teledyne Continental Part Number	Engine Serial Number	Description	Qty.
1	38397	TM27A00610	(000000-)	Cover, Cylinder Head	1
2	34876	TM27A00502	(000000-)	Gasket, Head Cover	1
3		XM32021	(000000-)	Screw	5
4	37942	13XX14141	(000000-)	Washer, Plain	5
5	38665	TMD27A00205	(000000-)	Gasket, Cylinder Head	1
6		TM27A06091	(000000-)	Head Assembly, Cylinder	1
7		TM27I00504	(000000-)	Valve, Intake	4
8		TM27I00509	(000000-)	Valve, Exhaust	
				(for Engines 34920/34930)	4
8		TM27I00505	(000000-)	Valve, Exhaust	
				(for Engines 16860/16870)	4
		TM27A00400	(000000-)	Seat, Exhaust Valve	4
		TM27A0040025	(000000-)	Seat, Exhaust Valve, 0.025 mm oversize	4
9		X02583	(000000-)	Plug, Cup	4
10		F400I00251	(000000-)	Guide, Valve Stem	
				(for Engines 34920/34930)	8
10		TM27I00316	(000000-)	Guide, Valve Stem	
				(for Engines 16860/16870)	8
11		TMD27I00401	(000000-)	Guard, Valve Stem Oil	
				(for Engines 34920/34930)	8
		TM27I00311	(000000-)	Guard, Valve Stem Oil	
				(for Engines 16860/16870)	8
12		TM27I00309	(000000-)	Spring, Valve	8
13		TM27I00308	(000000-)	Roto-Coil, Exhaust	4
14		CVT03234	(000000-)	Lock, Valve Spring Retainer	16
15		TM27I00300	(000000-)	Retainer, Valve Spring	4
16		X07689	(000000-)	Plug, Cup	2
17		XM37003	(000000-)	Washer, Plain	10
18		XM32020	(000000-)	Screw	9
19		XM38004	(000000-)	Eye, Lifting	1
20		XM32094	(000000-)	Screw	1
21		XM39000	(000000-)	O-Ring	3
		TM27U01001	(000000-)	Gasket Set, Top	
				(for Engines 34920/34930)	1
		TM27U01002	(000000-)	Gasket Set	
				(for Engines 16860/16870)	1

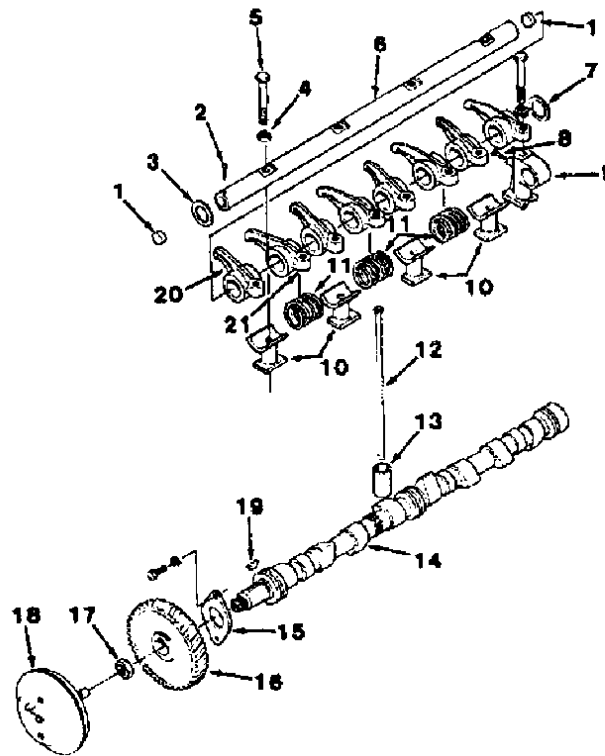


Fig. 3 - Camshaft Group

01608

Key	TENNANT® Part No.	Teledyne Continental Part Number	Engine Serial Number	Description	Qty.
1		X02544	(000000-)	Plug, Shaft Ends (for Engines 34920/34930)	2
1		TM27I00202	(000000-)	Plug, Shaft Ends (for Engines 16860/16870)	2
2		X00623	(000000-)	Pin, Cotter	2
3		X14589	(000000-)	Washer, Flat	2
4		XM37005	(000000-)	Washer, Flat	5
5		XM32031	(000000-)	Screw	4
6		TM27I00511	(000000-)	Shaft, Rocker Arm	1
7		TM27I00313	(000000-)	Washer, Wavey	2
8		X17066	(000000-)	Pin, Rear Support Top	1
9			(000000-)	Support, Rocker Arm Shaft, Rear	1
10		TM27I00314	(000000-)	Support, Rocker Arm Shaft	4
11		TM27I00303	(000000-)	Spring, Rocker Arm Shaft	3
12		TM27I00403	(000000-)	Rod, Push	8
13		TM27I00305	(000000-)	Tappet, Valve	8
14		TM27I00601	(000000-)	Camshaft	1
15		F400I00246	(000000-)	Plate, Camshaft Thrust	1
16		TM27H00500	(000000-)	Gear, Camshaft (for Engines 16860/16870)	1
16		TM27H00505	(000000-)	Gear, Camshaft (for Engines 34920/34930)	1
17		X18552	(000000-)	Nut	1
18		Z145S03000	(000000-)	Governor Assembly	1
19		X00599D	(000000-)	Key	1
20		TM27I05070	(000000-)	Arm Assembly, Rocker, Exhaust	4
21		TM27I05060	(000000-)	Arm Assembly, Rocker, Intake	4

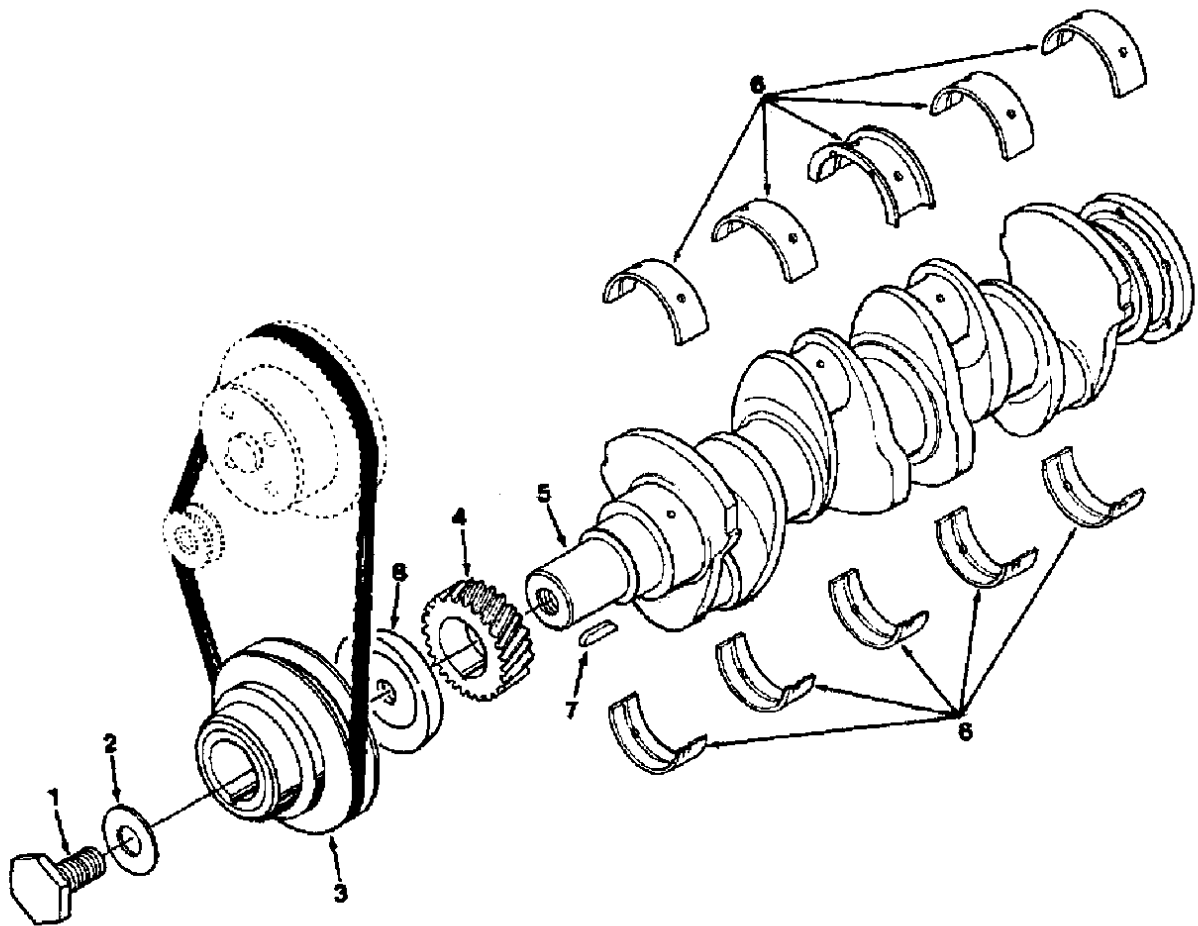


Fig. 4 - Crankshaft Group

01609

Key	TENNANT® Part No.	Teledyne Continental Part Number	Engine Serial Number	Description	Qty.
1		XM32064	(000000-)	Screw, Crankshaft	1
2		XM37014	(000000-)	Washer, Plain	1
3	38449	TM27C00501	(000000-302297)	Pulley, Crankshaft	1
3		TM27C00401	(302298-)	Pulley, Crankshaft	1
4		TM27H00400	(000000-xxxxxx)	Gear, Crankshaft	1
4		TM27H00407	(xxxxxx-)	Gear, Crankshaft	1
5		TMD27C00300	(000000-)	Crankshaft	1
6		TM27T00102	(000000-)	Bearing Kit, Crankshaft, Standard	1
6		TM27T00102025	(000000-)	Bearing Kit, Crankshaft, 0.25 mm undersize	1
6		TM27T00102050	(000000-)	Bearing Kit, Crankshaft, 0.50 mm undersize	1
6		TM27T00102075	(000000-)	Bearing Kit, Crankshaft, 0.75 mm undersize	1
6		TM27T00102100	(000000-)	Bearing Kit, Crankshaft, 1.00 mm undersize	1
7		X00866	(000000-)	Key	1
8		TM27C00408	(000000-)	Slinger, Oil	1

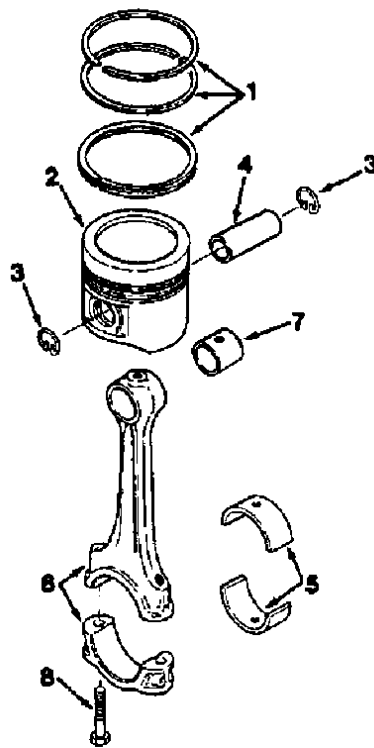


Fig. 5 - Piston Group

01610

Key	TENNANT® Part No.	Teledyne Continental Part Number	Engine Serial Number	Description	Qty.
1	TM27T00120	(000000-)	Ring Kit, Re-Ring, Standard	4
1	TM27T00106050	(000000-)	Ring Kit, Re-Ring, 0.50 mm oversize	4
1	TM27T00106075	(000000-)	Ring Kit, Re-Ring, 0.75 mm oversize	4
1	TM27T00106100	(000000-)	Ring Kit, Re-Ring, 1.00 mm oversize	4
2	TM27A05001E	(000000-)	Piston Assembly, Standard	4
2	TM27A05001E050	(000000-)	Piston Assembly, 0.50 mm oversize	4
2	TM27A05001E075	(000000-)	Piston Assembly, 0.75 mm oversize	4
2	TM27A05001E100	(000000-)	Piston Assembly, 1.00 mm oversize	4
3	K800A00203	(000000-)	Ring, Retaining	2
4	TM27A00300	(000000-)	Pin, Piston	1
5	TM27T00103	(000000-)	Bearing Kit, Connecting Rod, Standard	1
5	TM27T00103025	(000000-)	Bearing Kit, Connecting Rod, 0.25 mm undersize	1
5	TM27T00103050	(000000-)	Bearing Kit, Connecting Rod, 0.50 mm undersize	1
5	TM27T00103075	(000000-)	Bearing Kit, Connecting Rod, 0.75 mm undersize	1
5	TM27T00103100	(000000-)	Bearing Kit, Connecting Rod, 1.00 mm undersize	1
6	TMD27D03001	(000000-)	Rod Assembly, Connecting	4
7	G157G00201	(000000-)	Bushing, Piston Pin (for Engines 34920/34930)	4
7	TM27G00301	(000000-)	Bushing, Piston Pin (for Engines 16860/16870)	4
8	Z145D00300	(000000-)	Bolt, Connecting Rod	8

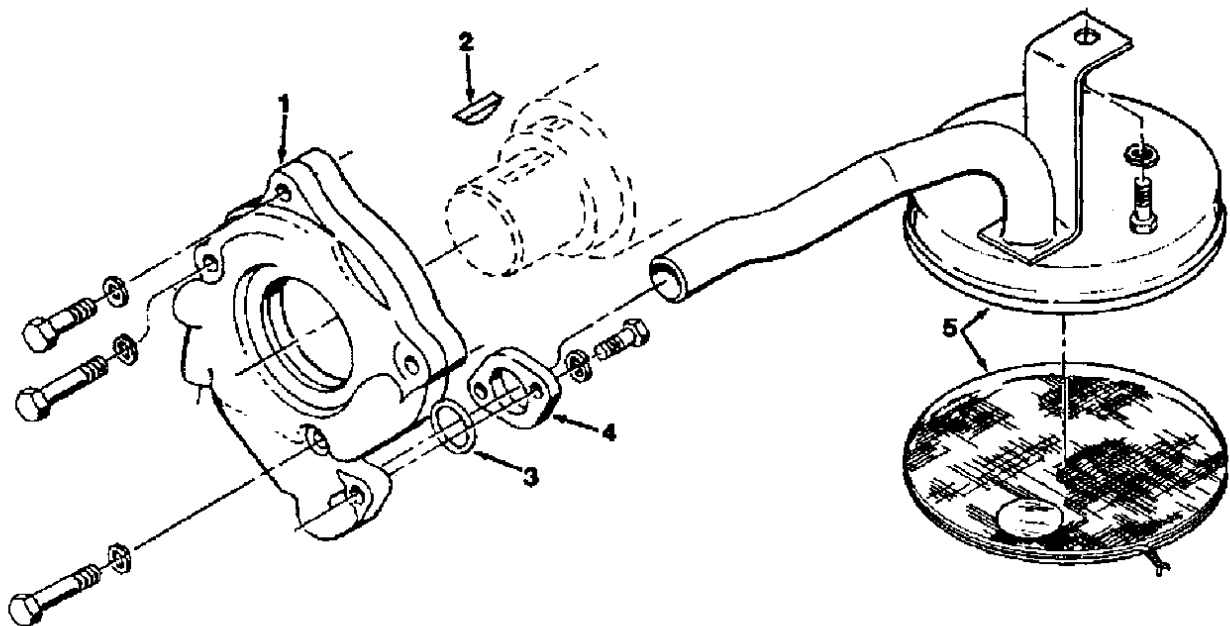


Fig. 6 - Oil Pump Group

0161

Key	TENNANT® Part No.	Teledyne Continental Part Number	Engine Serial Number	Description	Qty.
1		TM27L06020	(000000-)	Pump, Oil (for Engines 34920/34930)	1
1		TM27L06030	(000000-)	Pump, Oil (for Engines 16860/16870)	1
2		X00692	(000000-)	Key, Woodruff	1
3		X01673	(000000-)	O-Ring	1
4		TM27L00200	(000000-)	Adapter, Inlet Tube	1
5		TM27L05100	(000000-)	Tube Assembly, Oil Pump Inlet	1

ENGINE PARTS, GASOLINE, LPG

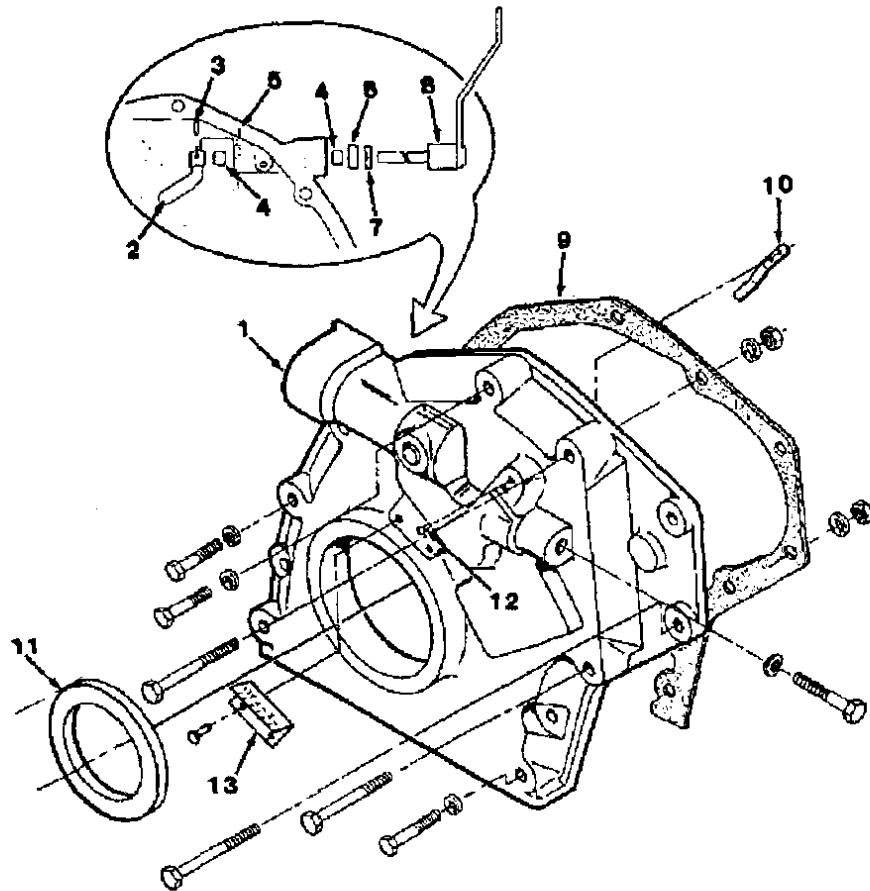


Fig. 7 - Gear Cover Group

01612

Key	TENNANT® Part No.	Teledyne Continental Part Number	Engine Serial Number	Description	Qty.
1		TM27B06005	(000000-)	Cover Assembly, Gear	1
2		Z120S00203	(000000-)	Arm, Rocker	1
3		X17040	(000000-)	Pin, Groove	1
4		Z120S00202	(000000-)	Bearing, Rocker Shaft	2
5		X17045	(000000-)	Pin, Groove	1
6		D600S00207	(000000-)	Seal, Shaft Oil	1
7		Z120S00207	(000000-)	Seal, Shaft	1
8		TM27S04080	(000000-)	Lever and Shaft Assembly, Governor, Gasoline	1
8		TM27S00406	(000000-)	Lever and Shaft Assembly, Governor, LPG	1
9	38381	TMD27B00405	(000000-)	Gasket, Gear Cover	1
10		TM27S00302	(000000-)	Spring, Governor Bumper	1
11		X07823	(000000-301055)	Seal, Oil (for Engines 34920/34930)	1
11	38416	X07845	(301056-)	Seal, Oil (for Engines 16860/16870)	1
12		X17048	(000000-)	Rivet	2
13		TM27B00300	(000000-)	Pointer, Engine Timing	1
		TM27U02001	(000000-)	Gasket Set, Front	1

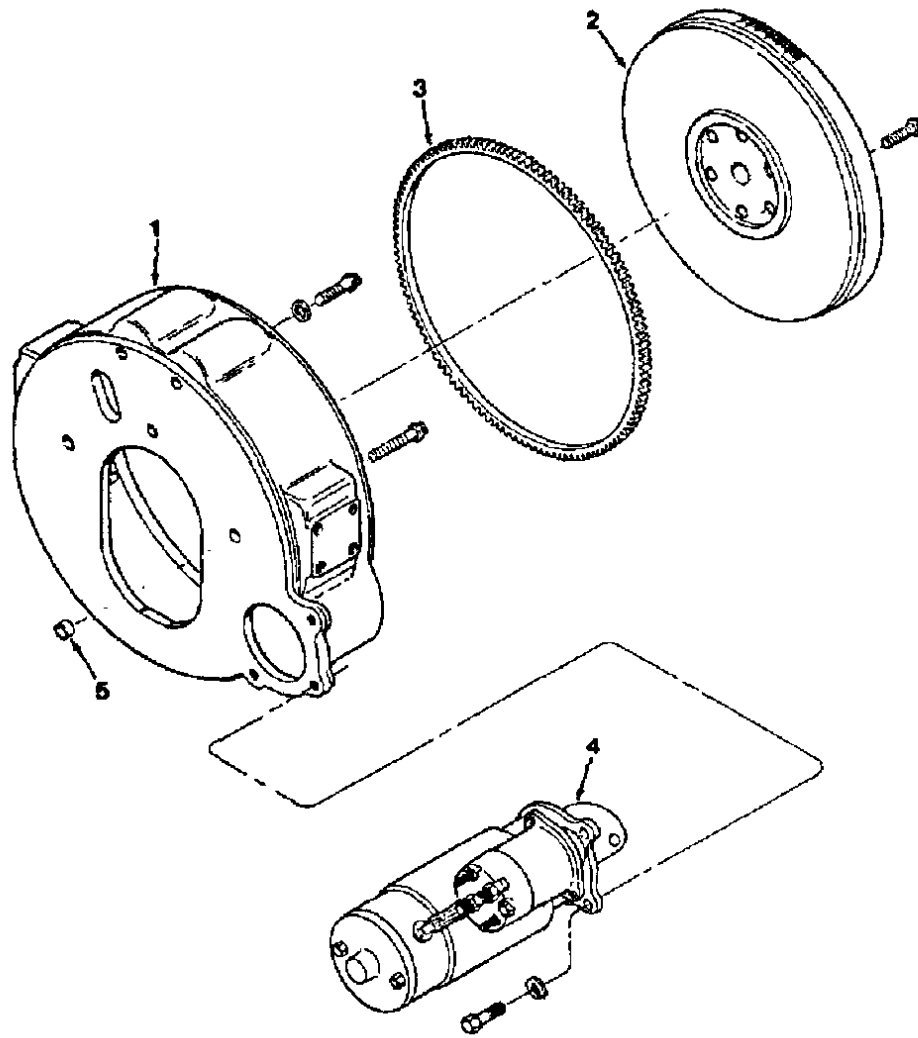


Fig. 8 - Flywheel and Starter Group

01613

Key	TENNANT® Part No.	Teledyne Continental Part Number	Engine Serial Number	Description	Qty.
1	16143	F140B00320	(000000-)	Housing, Flywheel	1
	16174	F601C04350	(000000-301055)	Flywheel (for Engines 34920/34930)	1
	16147	F244C00317	(000000-301055)	Ring Gear (for Engines 34920/34930)	1
2	16851	TM13C03100	(301056-)	Flywheel (for Engines 16860/16870)	1
3	16852	TM13C00502	(301056-)	Ring Gear (for Engines 16860/16870)	1
4	55977	F401M00348	(000000-301055)	Starter (for Engines 34920/34930)	1
4	16865	TMD13M00500	(301056-)	Starter (for Engines 16860/16870)	1
5		X07005	(000000-)	Dowel, Ring	2

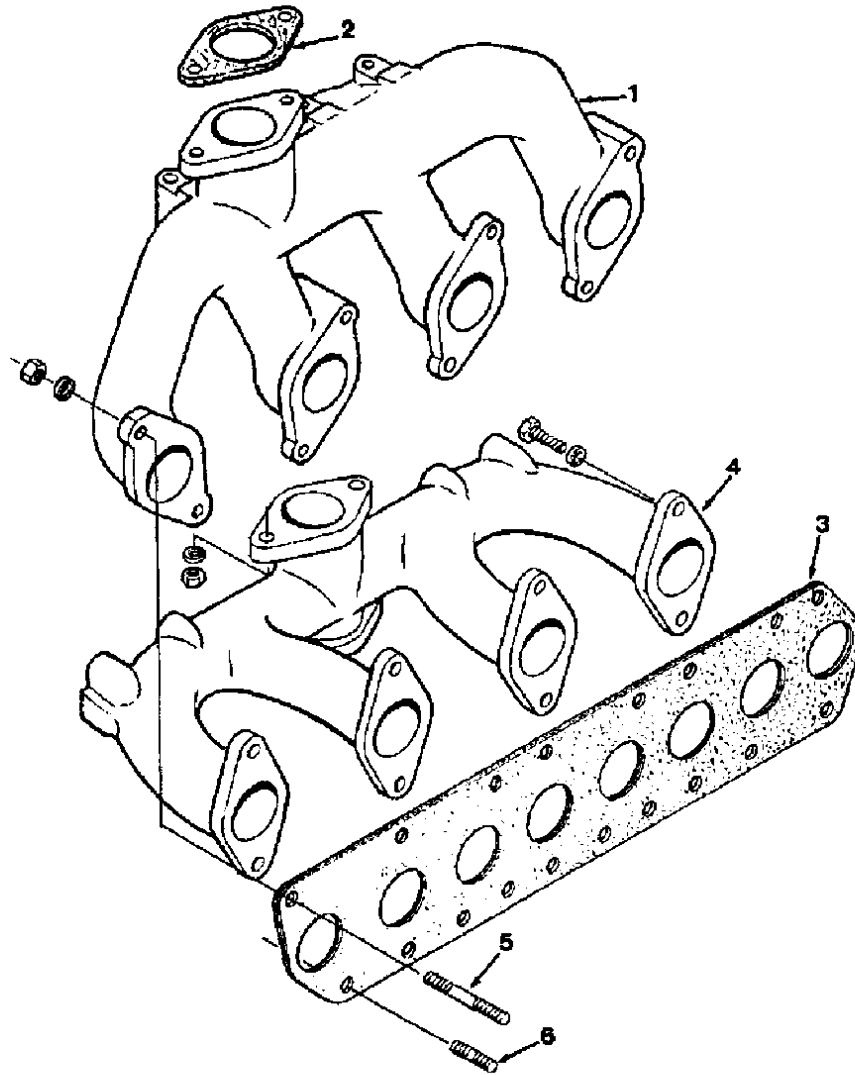


Fig. 9 - Intake and Exhaust Manifold Group

01614

Key	TENNANT® Part No.	Teledyne Continental Part Number	Engine Serial Number	Description	Qty.
1	38420 34640	TM27E00601	(000000-) (000000-)	Manifold, Exhaust Gasket Set, Manifold	1 1
2		TM27E00300	(000000-)	Gasket, Manifold	1
3		TM27E00400	(000000-)	Gasket, Manifold	1
4		TM27F00507	(000000-)	Manifold, Intake	1
5		XM32050	(000000-)	Stud	2
6		XM32022	(000000-)	Stud	6

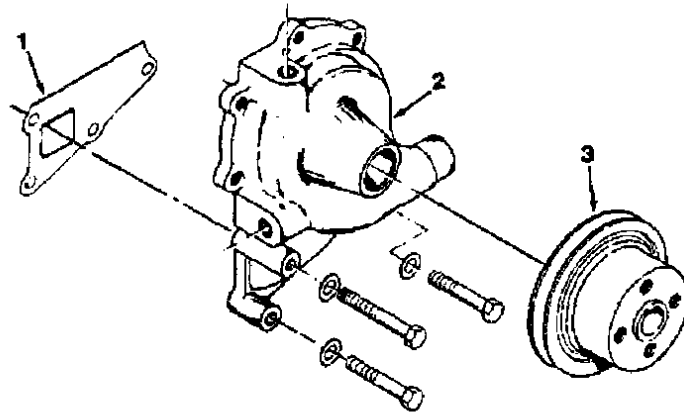


Fig. 10 - Water Pump Group

01615

Key	TENNANT® Part No.	Teledyne Continental Part Number	Engine Serial Number	Description	Qty.
	34830		(000000-)	Pump and Gasket, Water	1
1	34873	TM27K00301	(000000-)	Gasket, Water Pump to Crankcase	1
2	34429	TM27K06051	(000000-)	Pump, Water	1
		TM27T01003	(000000-)	Repair Kit, Water Pump	1
3		TM27K00412	(000000-)	Pulley, Water Pump	1

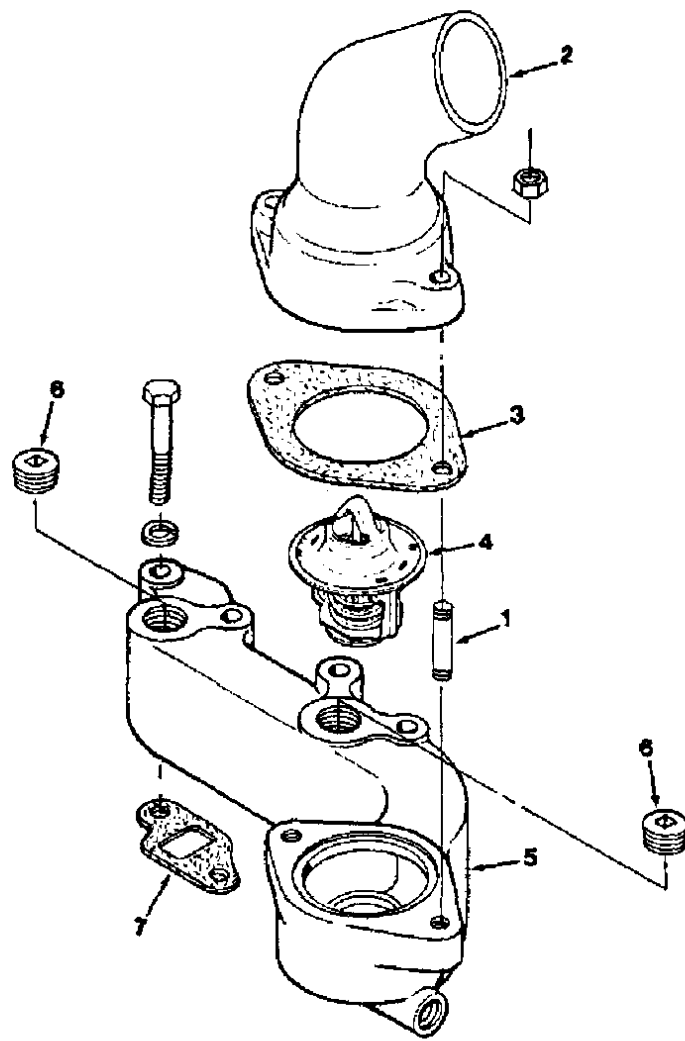


Fig. 11 - Water Header and Thermostat Group

01616

Key	TENNANT® Part No.	Teledyne Continental Part Number	Engine Serial Number	Description	Qty.
1		XM32001	(000000-)	Stud	2
2	38401	TM27K00310	(000000-)	Elbow, Water Outlet	1
	34752		(000000-)	Thermostat and Gasket	1
3	53988-12	C400K00215	(000000-)	Gasket, Elbow	1
4	53988-13	F601K00303	(000000-)	Thermostat	1
5		TM27K00503	(000000-)	Header, Water Outlet	1
6		X00101B	(000000-)	Plug	2
7		TM27K00304	(000000-)	Gasket, Header	2

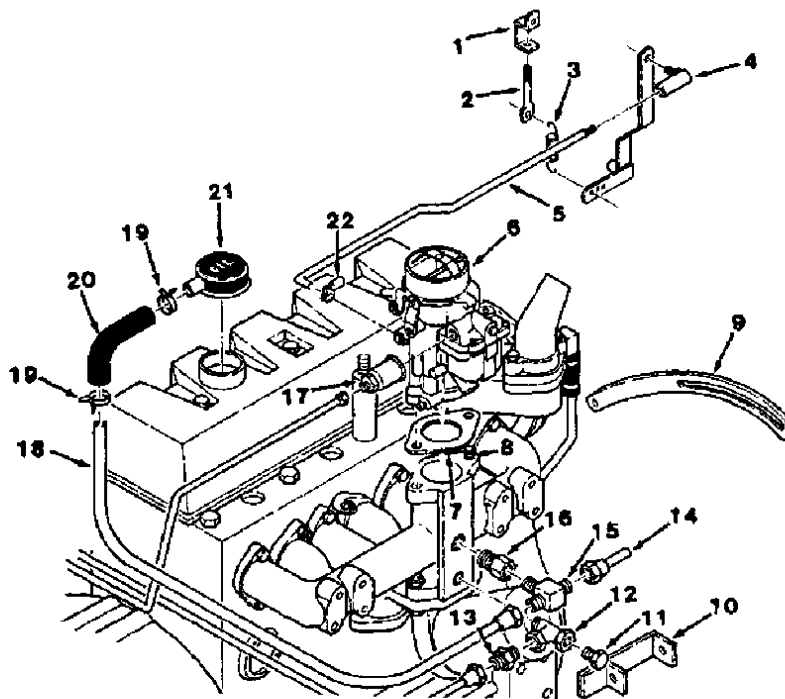


Fig. 12 - Carburetor and Controls Group

01618

Key	TENNANT® Part No.	Teledyne Continental Part Number	Engine Serial Number	Description	Qty.
1		TM27S00314	(000000-)	Anchor, Governor Spring	1
2		TM27S00301	(000000-xxxxxx)	Screw, Governor Spring Adjusting	1
2		TM27S00318	(xxxxxx-)	Screw, Governor Spring	1
3		F401S00231	(000000-xxxxxx)	Spring, Governor	1
3		F401S00230	(xxxxxx-)	Spring, Governor	1
4		X13201	(000000-)	Balljoint	1
5		TM27S00316	(000000-)	Rod, Control	1
6	34798		(000000-)	Carburetor and Gasket, LPG	1
6	34797	TM27F00421	(000000-)	Carburetor, LPG	1
6	34782	LAV1-14IM	(000000-)	Repair Kit	1
7	47680	XO1698	(000000-)	Gasket, Carburetor	1
7	34747		(000000-)	Carburetor and Gasket, Gasoline	1
7	34799	CA10F00360	(000000-)	Carburetor, Gasoline	1
7	38010	M330F00253	(000000-)	Gasket, Carburetor	1
8		XM32048	(000000-)	Stud	2
9		TM27M00308	(000000-)	Strap, Adjusting, Alternator	1
10		TM27M00401	(000000-)	Bracket, Alternator	1
11		X26129	(000000-)	Plug	1
12		X12671	(000000-)	Tee	1
13		X12131	(000000-)	Connector	1
14		TM27F02000	(000000-)	Adapter	1
15		X26153	(000000-)	Tee	1
16		X26146	(000000-)	Adapter	1
17	34749	TM27F00304	(000000-)	Filter, Fuel, Gasoline	1
18		TM27F05180	(000000-)	Tube, PCV	1
19		X02708	(000000-)	Clamp	2
20		F401F00274	(000000-)	Hose	1
21	38403	TM27L00412	(000000-)	Cap, Oil Filler	1
22		X05696	(000000-)	Clip, Rod End	1

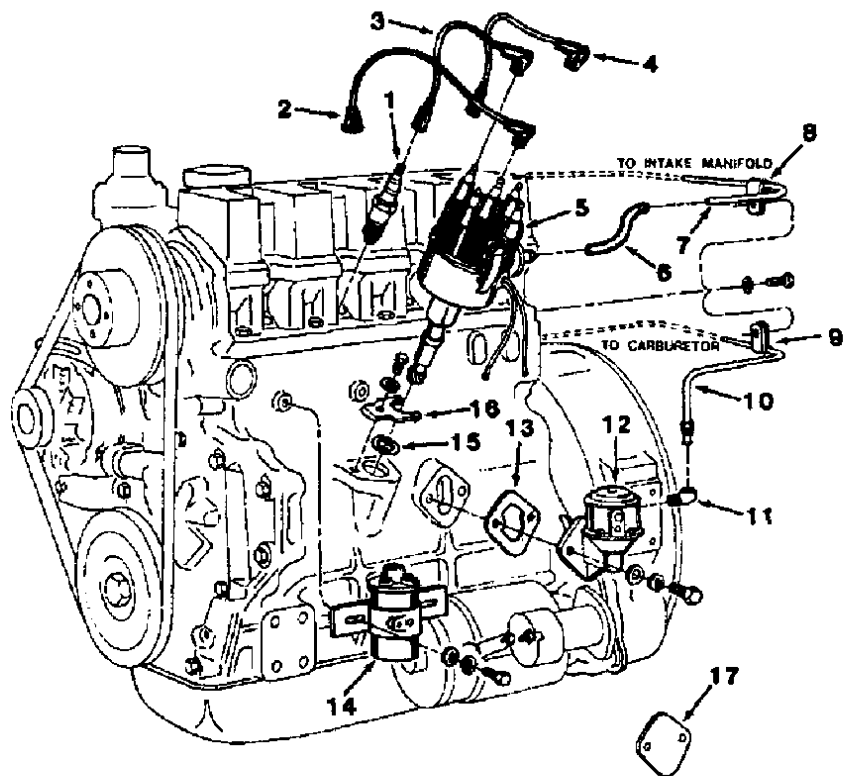


Fig. 13 - Distributor and Fuel Pump Group

Fig. 13 - Distributor and Fuel Pump Group

Key	TENNANT® Part No.	Teledyne Continental Part Number	Engine Serial Number	Description	Qty.
1	34726	SP200S00009RNYC	(000000-)	Spark Plug, Gasoline	4
1	34297	SP200S00006RNY	(000000-)	Spark Plug, LPG	4
	34727		(000000-)	Wire Set, Spark Plug	1
2	34299	FW00313080	(000000-)	Wire, Coil	1
3	16690	FW00312080	(000000-)	Wire, Spark Plug #1, #2	2
4	34298	FW00312120	(000000-)	Wire, Spark Plug, #3, #4	2
5	38410	TM27M00502	(000000-302530)	Distributor Assembly, (replaced by 09892)	1
	34193		(000000-302530)	Cap	1
	34189		(000000-302530)	Rotor	1
5	38991	TM27M00510	(302531-)	Distributor Assembly	1
	09819	TM27M00234	(302531-)	Cap and Gasket	1
	09837	TM27M00224	(302531-)	Rotor	1
	09852	20120003	(302531-)	Cover, Dust	1
	09910	20120010	(302531-)	Cap, Gasket	1
	09861	20120004	(302531-)	Magnet	1
	09867	TM27M00226	(302531-)	Module	1
		TM27M00235	(302531-)	Weights Set, Advance	1
	09890	TM27M00231	(302531-)	Spring Set, Advance	1
	09891	TM27M00232	(302531-)	Vacuum Advance	1
	09857	TM27M00225	(302531-)	Gear Kit	1
	09930	20120011	(302531-)	Spacer, Rotor	1
6		X08258080	(000000-302530)	Hose, Vacuum	1
6		X08258110	(302531-)	Hose, Vacuum	1
7		TM27F05140	(000000-)	Tube, Vacuum	1
8		X07737	(000000-)	Clip	1
9		X07738	(000000-)	Clip	1
10	38550	TM27F05130	(000000-000472)	Tube, Fuel (for Engines 34920/34930)	1
10	33855	TM27F05200	(000473-)	Tube, Fuel (for Engines 34920/34930)	1
10		TM27F05190	(000000-)	Tube, Fuel (for Engines 16860/16870)	1
11		X12015	(000000-)	Elbow	1
	33843		(000000-000472)	Pump Replacement Kit	1
	33848		(000473-)	Pump and Gasket, Fuel	1
12	33849	TM27F00425	(000000-)	Pump, Fuel	1
13	47680	X01698	(000000-)	Gasket, Fuel Pump	1
14	38423	F401M00343	(000000-302530)	Coil Assembly, Ignition, (replaced by 38992)	1
	38006	F401M00221	(000000-302530)	Clamp, Coil, (replaced by 38992)	1
14	38992	TM27M03170	(302531-)	Coil Assembly, Ignition	1
	09871	TM27M00227	(302531-)	Coil	1
		TM27M00229	(302531-)	Bracket, Coil	1
	09877	TM27M00228	(302531-)	Resistor	1
		TM27M00230	(302531-)	Bracket, Resistor	1
15		F401M00219	(000000-)	Gasket, Distributor	1
16		Z145M00308	(000000-)	Clamp, Distributor	1
17		F600B00234	(000000-)	Cover, Fuel Pump Hole, LPG	1
	33850	F601F00304	(000473-)	Plate, Adapter, Pump	1

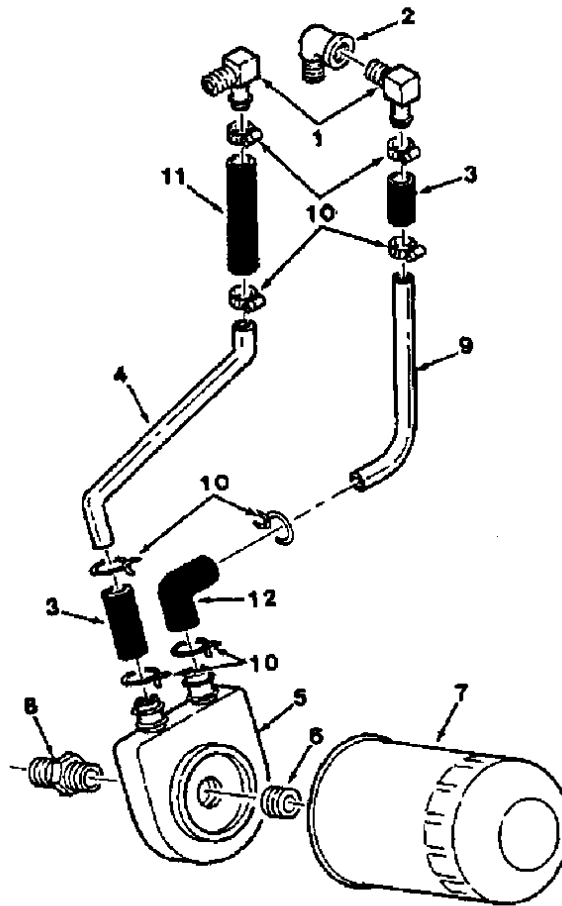


Fig. 14 - Oil Filter Group

01619

Key	TENNANT® Part No.	Teledyne Continental Part Number	Engine Serial Number	Description	Qty.
1	47388	X26142	(000000-)	Elbow, Water Header	2
2		X12191	(000000-)	Elbow, Water Pump	1
3		X08253020	(000000-)	Hose, Oil Cooler	2
4	38409	TM27L00516	(000000-)	Tube, Oil Cooler	1
5	38405	TM27L00420	(000000-)	Cooler, Oil	1
6	38402	TM27L00202	(000000-)	Adapter, Oil Filter	1
7	39703-2	F600L03750	(000000-)	Element, Oil Filter (for Engines 34920/34930)	1
7	16853	TM27L00312	(000000-)	Element, Oil Filter (for Engines 16860/16870)	1
8		TM27L00204	(000000-)	Connector, Oil Cooler	1
9	38406	TM27L00423	(000000-)	Tube, Oil Cooler	1
10		X02751	(000000-)	Clamp, Hose	8
11		X08253040	(000000-)	Hose, Oil Cooler	1
12		TM27L00208	(000000-)	Hose, Oil Cooler	1

CONTENTS

	Page
ORDERING REPAIR PARTS	16-3
Fig. 1 - Engine Block Group	16-4
Fig. 2 - Cylinder Head Group	16-6
Fig. 3 - Fuel System Group	16-8
Fig. 4 - Crankshaft Group	16-10
Fig. 5 - Piston Group	16-11
Fig. 6 - Camshaft Group	16-12
Fig. 7 - Oil Pump Group	16-13
Fig. 8 - Gear Cover Group	16-14
Fig. 9 - Flywheel and Starter Group	16-15
Fig. 10 - Intake and Exhaust Manifold Group	16-16
Fig. 11 - Water Pump Group	16-17
Fig. 12 - Water Header and Thermostat Group	16-18
Fig. 13 - Alternator Brackets and PCV Group	16-19
Fig. 14 - Oil Filter Group	16-20

NOTE: SECTION 16, ENGINE PARTS, DIESEL CONTINENTAL, lists repair parts for diesel powered engines, TENNANT part numbers 34910, 16850 and 31937. To determine which engine you have check your machine serial number against those listed in DIESEL PARTS, CONTINENTAL.

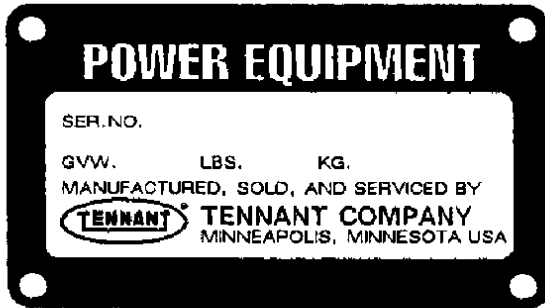
ORDERING REPAIR PARTS

The components used in this machine have been carefully selected for performance and safety. Use only Tennant Company specified or equivalent parts.

To receive prompt service in filling of your parts orders, please direct all orders for parts with Tennant Company part numbers to the Tennant Company, and all orders for parts with vendor part numbers to the local supplier of the respective vendor.

When ordering parts, please furnish all of the following information:

1. Machine model number - shown on the machine data plate.



2. Machine serial number - shown on the machine data plate.
3. Power source - gasoline, LPG, diesel, electric.
4. Company name.
5. Shipping address.
6. Billing address.
7. Name, first and last - of person ordering parts.
8. Telephone number.
9. Purchase order number.
10. Part number, description, and quantity - of each item on the order.
11. Customer ID Number.

Do not order parts by key number or the figure number of the illustrated parts. Indented items indicate parts of assemblies. Standard hardware is furnished only when part of a purchased assembly. Please get hardware from a local hardware supplier.

If the old part cannot be identified, send it to us with the quantity needed specified on the order.

Any claim for loss or damage to a shipment in transit should be filed promptly against the transportation company making the delivery. Shipments will be complete unless the packing list or order acknowledgement indicate items back ordered.

If parts received are suspected to be incorrect or defective, please write, wire, or phone the Tennant Company representative from whom you ordered the part. They will give authorization for return and/or handle replacement shipments when required.

SERIAL NUMBER INFORMATION EXPLANATION

Serial number listings are shown to indicate on which machines each part can be used. These listings are explained by the following examples:

- (000000-) The part can be used on all machines.
- (003342-) The part can be used on all machines beginning with the serial number listed.
- (000000-004320) The part can be used on all machines up to and including serial number listed.
- (004321-005678) The part can be used on all machines between and including the serial numbers listed.

Where xxxxx's are listed in place of a serial number, it indicates a change was made but the exact serial number had not been established when the catalog went to press.

SI UNITS OF MEASURE (INTERNATIONAL SYSTEM)

Metric equivalents have been included, where applicable, throughout this parts catalog.

FASTENER STRENGTH IDENTIFICATION

Fasteners required to have high-strength qualities equivalent to SAE Grade 8 are identified throughout this catalog by the description GR 8. Unless identified by this description, all standard fasteners are SAE Grade 5.

(Specifications and design subject to change without notice.)

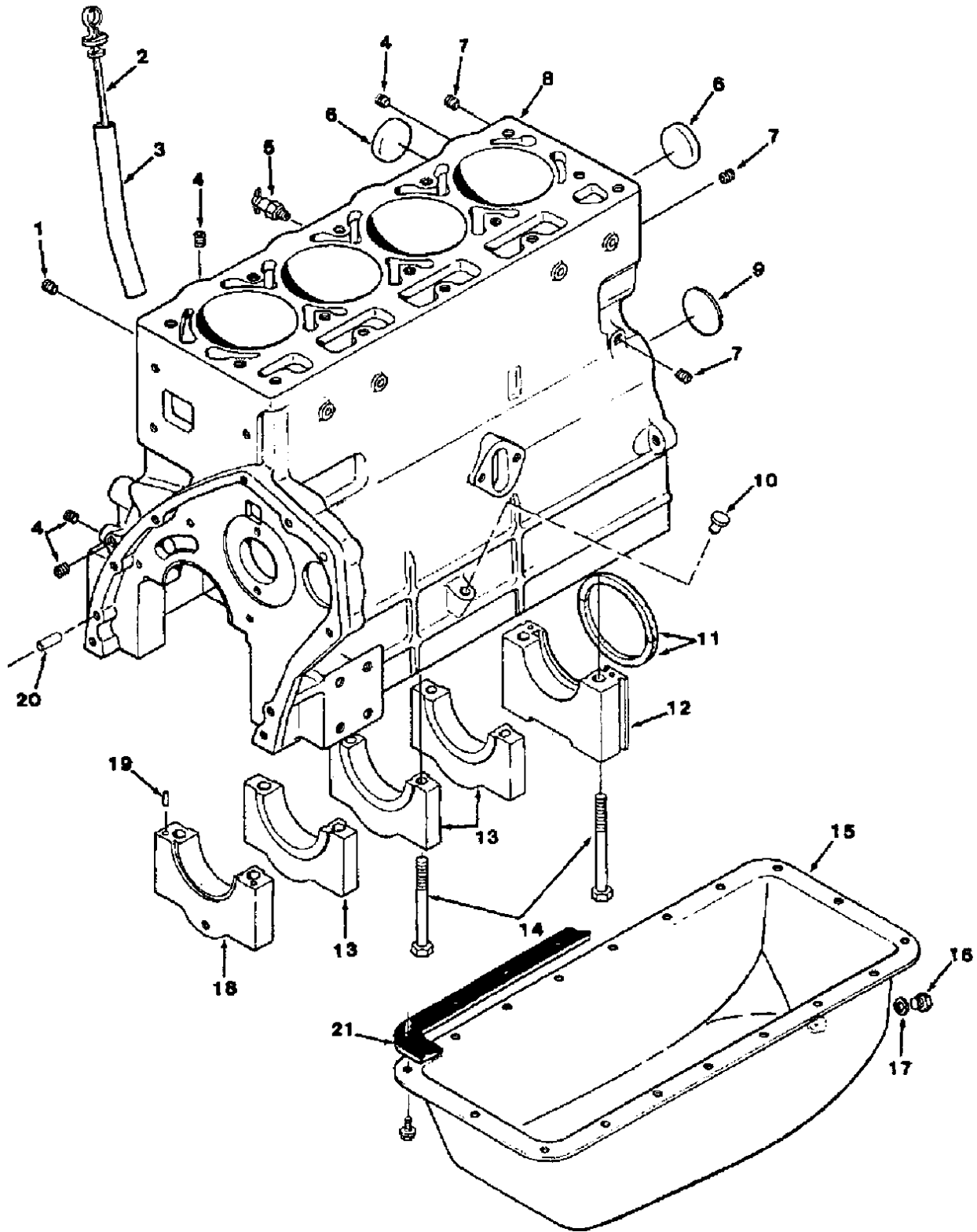


Fig. 1 - Engine Block Group

Fig. 1 - Engine Block Group

Key	TENNANT® Part No.	Teledyne Continental Part Number	Engine Serial Number	Description	Qty.
1		X00110	(000000-) Plug	1
2	38404	TM27L00418	(000000-) Rod, Oil Gauge	1
3		TM27L00406	(000000-) Tube, Oil Filler	1
4		X00137A	(000000-) Plug	5
5	51305	X01015	(000000-) Cock, Water Drain	1
6	38414	X02279	(000000-) Plug, Cup	5
7		26XX26129	(000000-) Plug	2
8	34794	TMD27A602610R	(000000-004543)	Short Block Assembly, R, Includes: Block, Tappets, Camshaft, Crankshaft, Main Bearings, Bearing Caps, Pistons, Piston Pins, Piston Rings, Connecting Rods, Rod Bearings, Thrust Plate, Cam Gear, Gear, Oil Pump, Oil Gauge Support, and Gasket Set	1
8	31943	TMD27A610602R	(004544-) Short Block Assembly, R, Includes: Block, Tappets, Camshaft, Crankshaft, Main Bearings, Bearing Caps, Pistons, Piston Pins, Piston Rings, Connecting Rods, Rod Bearings, Thrust Plate, Cam Gear, Gear, Oil Pump, Oil Gauge Support, and Gasket Set	1
8	38583	TMD27A602810S	(000000-004543)	Short Block Assembly, S, Includes: R Short Block Assembly Plus - Head, Guides, Valves and Associated Parts, Rocker Arm Shaft Assembly, Pushrods, Head Cover, Gear Cover, Oil Pan, Oil Filler Cap, and Gasket Set	1
8	31942	TMD27A610802S	(004544-) Long Block Assembly, S, Includes: R Short Block Assembly Plus - Head, Guides, Valves and Associated Parts, Rocker Arm Shaft Assembly, Pushrods, Head Cover, Gear Cover, Oil Pan, Oil Filler Cap, and Gasket Set	1
9	38413	X02208	(000000-) Plug, Expansion	1
10		X07663	(000000-) Plug	1
11	38408	TM27L00513	(000000-) Seal, Oil	2
12		TMD27B00502	(000000-) Cap and Filler Block, Rear Bearing	1
13		TMD27B00403	(000000-) Cap, Crankshaft Bearing	3
14		XM32018	(000000-) Screw	10
		TM27B05071	(000000-) Pan Assembly, Oil	1
15	38398	TM27B05070	(000000-) Pan, Oil	1
16	38082	F400B00282	(000000-) Plug, Drain	1
17		X14583	(000000-) Washer, Drain Plug	1
18		TMD27B00402	(000000-) Cap, Crankshaft Bearing, Front	1
19		F600B00242	(000000-) Dowel, Bearing Cap, Front and Rear	4
20		X17025	(000000-) Pin, Dowel, Gear Cover to Crankcase	2
21		TM27T00107	(000000-) Gasket, Oil Pan, Form-In-Place	1

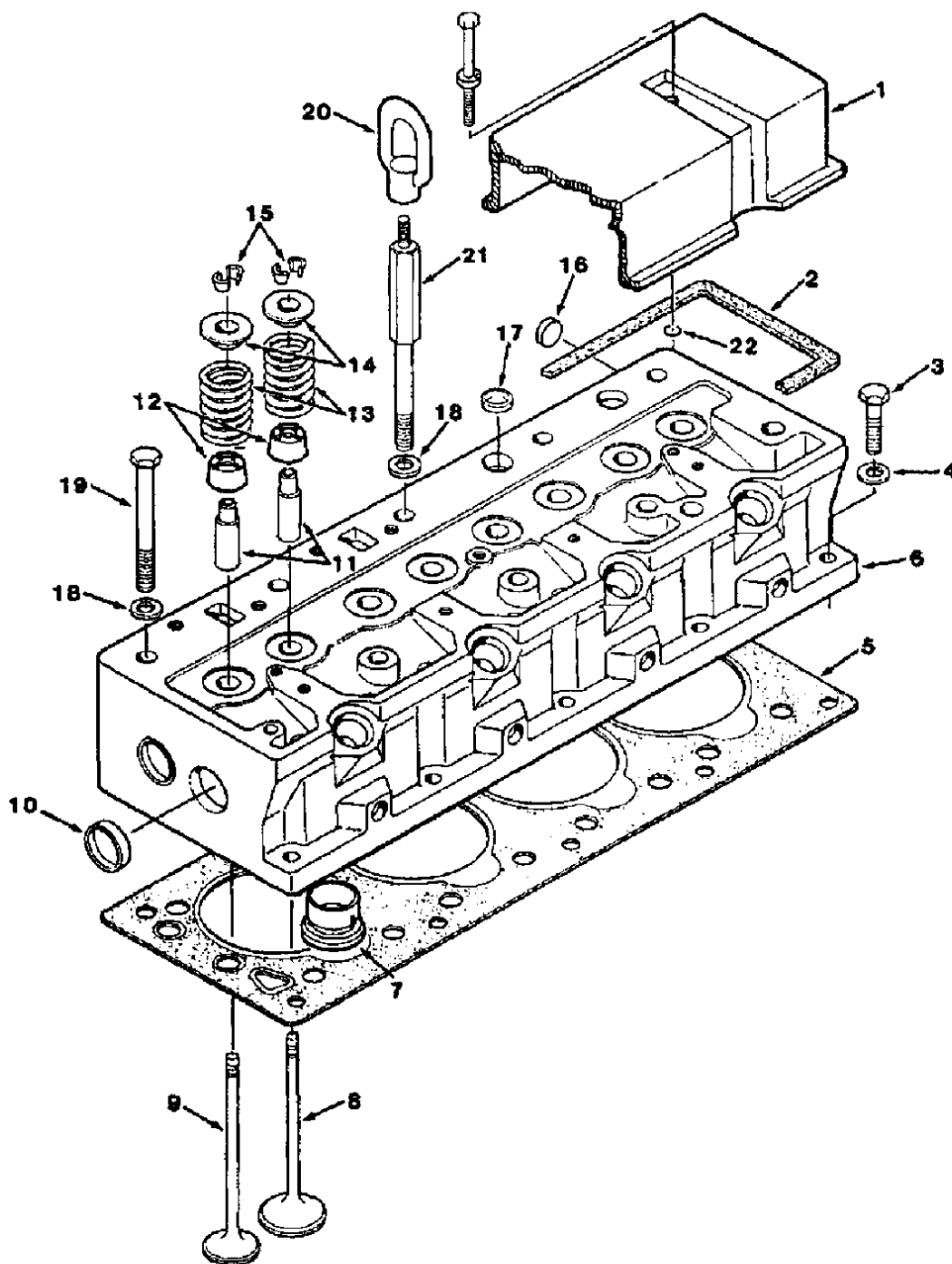


Fig. 2 - Cylinder Head Group

Fig. 2 - Cylinder Head Group

Key	TENNANT® Part No.	Teledyne Continental Part Number	Engine Serial Number	Description	Qty.
1		TM27A0610	(000000-	Cover, Cylinder Head	1
2	34876	TM27A00502	(000000-	Gasket, Cover	1
3		XM32021	(000000-	Screw	5
4	37942	13XX14141	(000000-	Washer, Plain	5
5		TMD27A00507	(000000-	Gasket, Cylinder Head (for Engine 34910)	1
5		TMD27A00205	(000000-	Gasket, Cylinder Head (for Engine 16850)	1
6		TMD27A06031	(000000-	Head, Cylinder	1
7		TMD27A00500	(000000-	Insert, Combustion Chamber	4
8		TMD27I00502	(000000-	Valve, Intake	4
9		TMD27I00501	(000000-	Valve, Exhaust	4
10		X02583	(000000-	Plug, Cup	4
11	16153	F400I00251	(000000-	Guide, Valve Stem	8
12		TMD27I00401	(000000-	Guard, Valve Stem Oil	8
13		TM27I00309	(000000-	Spring, Valve	8
14		TM27I00300	(000000-	Retainer, Valve Spring	8
15		CVT03234	(000000-	Lock, Valve Spring Retainer	16
16		X07606	(000000-	Plug, Cup	4
17		X07689	(000000-	Plug, Core	4
18		XM37003	(000000-	Washer, Flat	10
19		XM32020	(000000-	Screw	9
20		XM38004	(000000-	Eye, Lifting	1
21		XM32094	(000000-	Screw	1
22		XM39000	(000000-	O-Ring	3
		TMD27U01001	(000000-	Gasket Set, Top (for Engine 34910)	1
		TMD27U01002	(000000-	Gasket Set, Top (for Engine 16850)	1

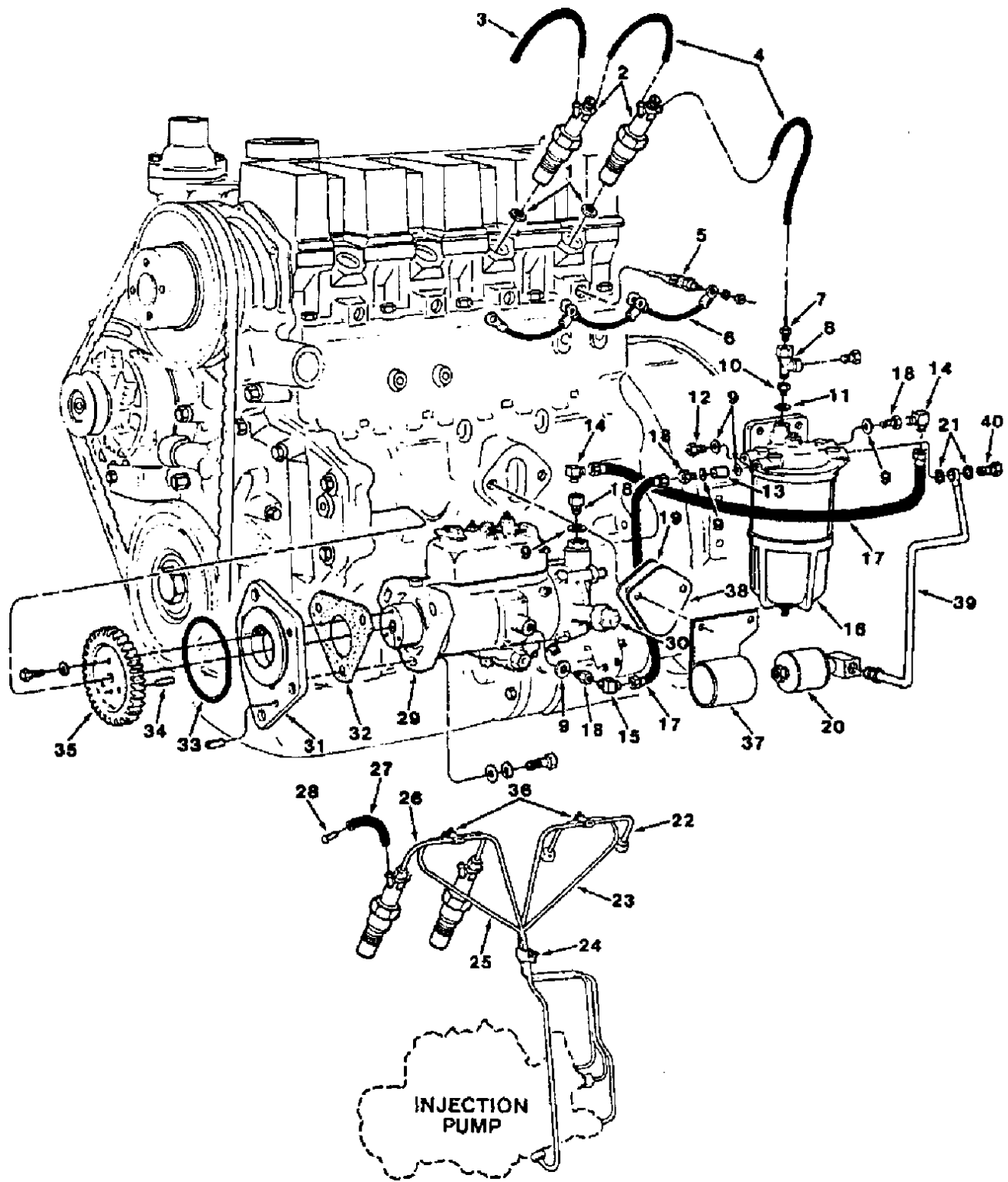


Fig. 3 - Fuel System Group

Fig. 3 - Fuel System Group

Key	TENNANT® Part No.	Teledyne Continental Part Number	Engine Serial Number	Description	Qty.
1	38393	TMD27F00301	(000000-)	Shield, Heat	4
2	38389	TMD27F02030	(000000-)	Nozzle and Tip Assembly	4
	38387	TMD27F00306	(000000-)	Tip, Nozzle	4
3	38411	XM38003050	(000000-)	Hose, Fuel	1
4		XM38003054	(000000-)	Hose, Fuel	3
5	38386	TMD27F00300	(000000-)	Plug, Glow	4
6		LW00203042	(000000-)	Wire, Glow Plug	3
7	38419	X26144	(000000-)	Adapter	1
		TMD27F00305	(000000-)	Adapter (for Engine 16850)	1
8	38417	X12671	(000000-)	Tee	1
9		X14434	(000000-)	Washer	7
10	38412	XM40000	(000000-)	Adapter	1
11		X14134	(000000-)	Washer, Copper	1
12		TMD27F00214	(000000-)	Plug	1
13		TMD27F00405	(000000-)	Valve, Check	1
14		X12393	(000000-)	Adapter	1
15		X12489	(000000-)	Elbow, #3 Inlet	1
16	38388	TMD27F00506	(000000-)	Filter, Fuel and Water Separator	1
	52770-9	TMD27F00212	(000000-)	Element, Fuel Filter	1
17		X08261110	(000000-)	Hose	2
		X08016120	(000000-)	Hose, Injection (for Engine 16850)	1
18		X26140	(000000-)	Adapter	4
19	47680	X01698	(000000-)	Gasket, Fuel Pump	1
20	16706	TMD20F00506	(303729-)	Pump, Fuel	1
21	16712	TMD27F00309	(303729-)	Washer, Sealing	2
22	38396	TMD27F05120	(000000-)	Tube Assembly, Fuel Injection #4	1
23	38395	TMD27F05110	(000000-)	Tube Assembly, Fuel Injection #3	1
24	38384	TMD27F00220	(000000-)	Clamp, Injection Line	1
25	38391	TMD27F05100	(000000-)	Tube Assembly, Fuel Injection #2	1
26	38390	TMD27F05090	(000000-)	Tube Assembly, Fuel Injection #1	1
27		XM38003020	(000000-)	Hose, Fuel, #1 Leak-Off End	1
28		X26138	(000000-)	Plug	1
29	38392	TMD27F00227S	(000000-)	Pump, Fuel Injection	1
30	16739		(000000-)	Solenoid, Fuel Shut-Off	1
31		TMD27B00404	(000000-)	Adapter	1
32	38379	TMD27B00300	(000000-)	Gasket, Injection Pump	1
33	38415	X07837	(000000-)	O-Ring	1
34		TMD27F00200	(000000-)	Pin	1
35		TMD27H00403	(000000-)	Gear, Injection Pump	1
36	38385	TM27F00221	(000000-)	Clamp, Injection Line	2
		TMD27F00233	(000000-)	Clamp, Leak-Off Line	10
37	16708	TMD27F00311	(303729-)	Bracket, Fuel Pump	1
38	16707	F600B00234	(303729-)	Cover, Fuel Pump	1
39	16710	TMD27F005200	(303729-)	Tube Assembly	1
40	16711	TMD27F00308	(303729-)	Fitting, Banjo	1

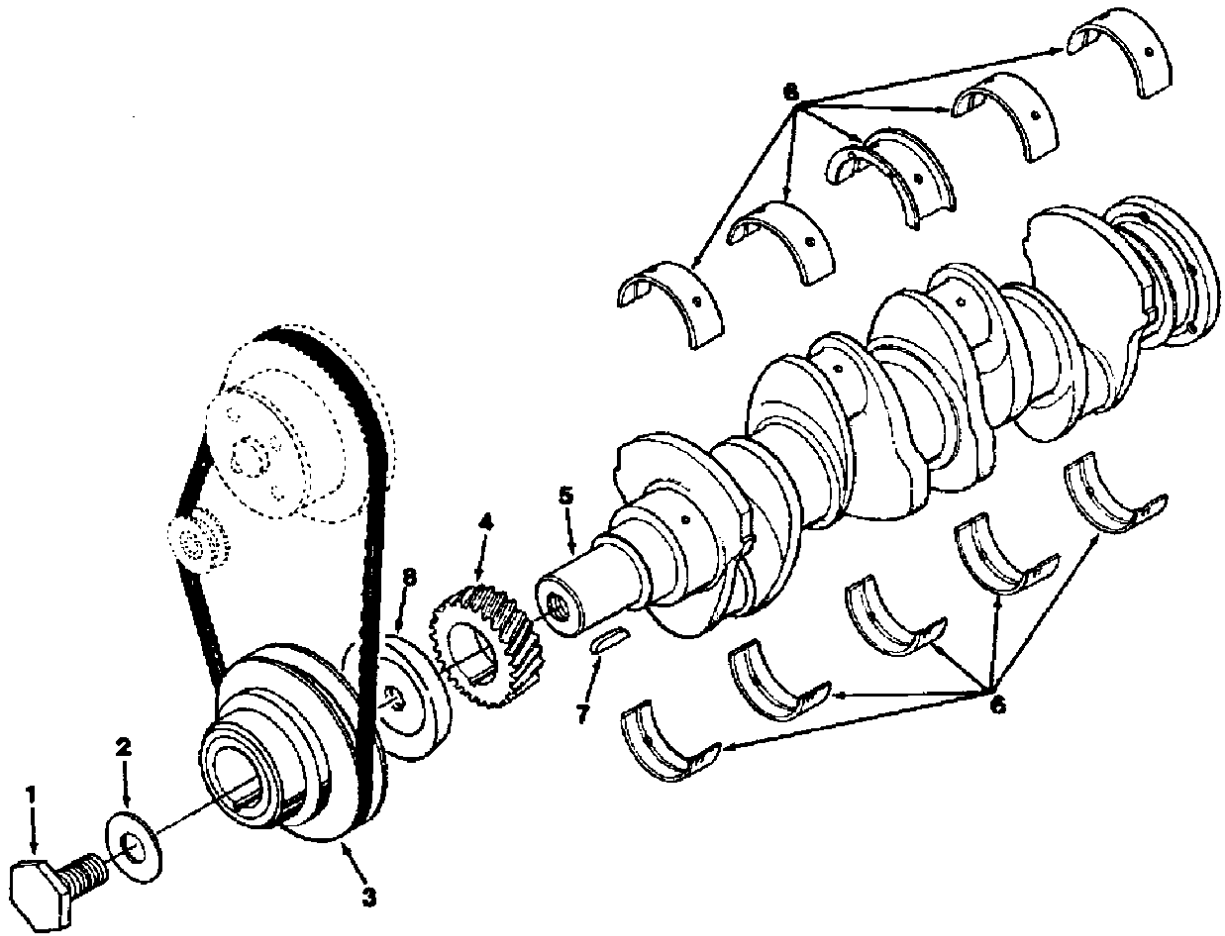


Fig. 4 - Crankshaft Group

01609

Key	TENNANT® Part No.	Teledyne Continental Part Number	Engine Serial Number	Description	Qty.
1		XM32064	(000000-)	Screw	1
2		XM37014	(000000-)	Washer, Plain	1
3	38449	TM27C00501	(000000-302297)	Pulley, Crankshaft	1
3		TM27C00401	(302298-)	Pulley, Crankshaft	1
4		TM27H00400	(000000-xxxxxx)	Gear, Crankshaft	1
4		TM27H00407	(xxxxxx-)	Gear, Crankshaft	1
5		TMD27C00300	(000000-)	Crankshaft	1
6		TM27T00102	(000000-)	Bearing Kit, Main, Standard	1
6		TM27T00102025	(000000-)	Bearing Kit, Main, 0.25 mm undersize	1
6		TM27T00102050	(000000-)	Bearing Kit, Main, 0.50 mm undersize	1
6		TM27T00102075	(000000-)	Bearing Kit, Main, 0.75 mm undersize	1
6		TM27T00102100	(000000-)	Bearing Kit, Main, 1.00 mm undersize	1
7		X00666	(000000-)	Key	1
8		TM27C00408	(000000-)	Slinger, Oil	1

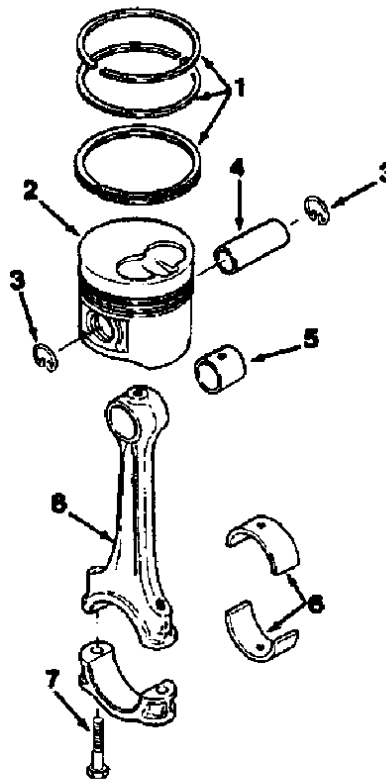


Fig. 5 - Piston Group

01623

Key	TENNANT® Part No.	Teledyne Continental Part Number	Engine Serial Number	Description	Qty.
1		TMD27T00201	(000000-) Ring Kit, Re-Ring, Standard	4
1		TMD27T00201050	(000000-) Ring Kit, Re-Ring, 0.50 mm oversize	4
1		TMD27T00201075	(000000-) Ring Kit, Re-Ring, 0.75 mm oversize	4
1		TMD27T00201100	(000000-) Ring Kit, Re-Ring, 1.00 mm oversize	4
2		TMD27A05031E	(000000-) Piston Assembly, Standard	4
2		TMD27A05031E050	(000000-) Piston Assembly, 0.50 mm oversize	4
2		TMD27A05031E075	(000000-) Piston Assembly, 0.75 mm oversize	4
2		TMD27A05031E100	(000000-) Piston Assembly, 1.00 mm oversize	4
3		K800A00203	(000000-) Ring, Retaining, Piston Pin	2
4		TMD27A00300	(000000-) Pin, Piston	1
5		TM27G00301	(000000-) Bushing, Piston Pin	4
6		TM27T00103	(000000-) Bearing Kit, Connecting Rod, Standard	1
6		TM27T00103025	(000000-) Bearing Kit, Connecting Rod, 0.25 mm undersize	1
6		TM27T00103050	(000000-) Bearing Kit, Connecting Rod, 0.50 mm undersize	1
6		TM27T00103075	(000000-) Bearing Kit, Connecting Rod, 0.75 mm undersize	1
6		TM27T00103100	(000000-) Bearing Kit, Connecting Rod, 1.00 mm undersize	1
7		Z145D00300	(000000-) Bolt, Connecting Rod	8
8		TMD27D03001	(000000-) Rod Assembly, Connecting	4

ENGINE PARTS, DIESEL CONTINENTAL

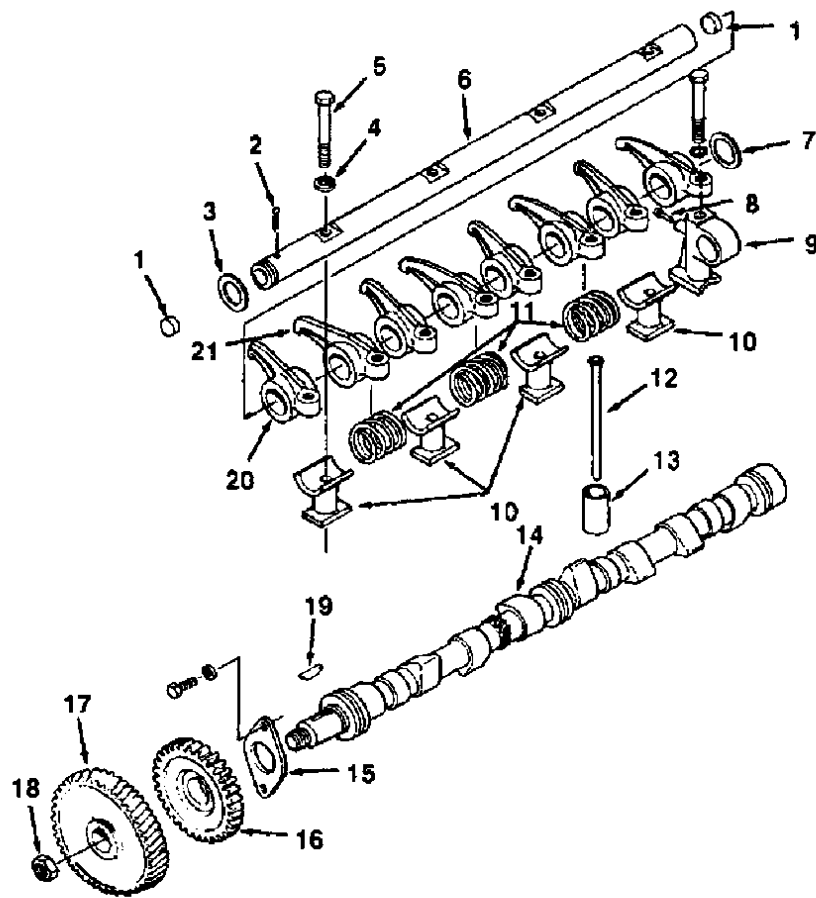


Fig. 6 - Camshaft Group

01622

Key	TENNANT® Part No.	Teledyne Continental Part Number	Engine Serial Number	Description	Qty.
1		X02544	(000000-)	Plug, Shaft Ends	2
2		X00623	(000000-)	Pin, Cotter	2
3		X14589	(000000-)	Washer, Rocker Arm Shaft	2
4		XM37005	(000000-)	Washer, Flat	4
5		XM32031	(000000-)	Screw	4
6		TM27I00511	(000000-)	Shaft, Rocker Arm	1
7		TM27I00306	(000000-)	Washer, Wavey	1
8		X17066	(000000-)	Pin, Rear Support Top	1
9			(000000-)	Support, Rocker Arm Shaft, Rear	1
10		TM27I00314	(000000-)	Support, Rocker Arm Shaft	4
		TM27I00313	(000000-)	Spring, Rocker Shaft Ends (for Engine 16850)	1
11		TM27I00303	(000000-)	Spring, Rocker Arm Shaft	3
12		TM27I00403	(000000-)	Rod, Push	8
13		TM27I00305	(000000-)	Tappet, Valve	8
14		TMD27I00402	(000000-)	Camshaft	1
15		F400I00246	(000000-)	Plate, Camshaft Thrust	1
16		TMD27H00402	(000000-)	Gear, Injection Pump Driver	1
17		TMD27H00500	(000000-xxxxxx)	Gear, Camshaft	1
17		TMD27H00503	(xxxxxx-)	Gear, Camshaft	1
18		X18498	(000000-)	Nut	1
19		X00599D	(000000-)	Key	1
20		TM27I05130	(000000-)	Arm Assembly, Rocker, Exhaust	4
21		TM27I05120	(000000-)	Arm Assembly, Rocker, Intake	4

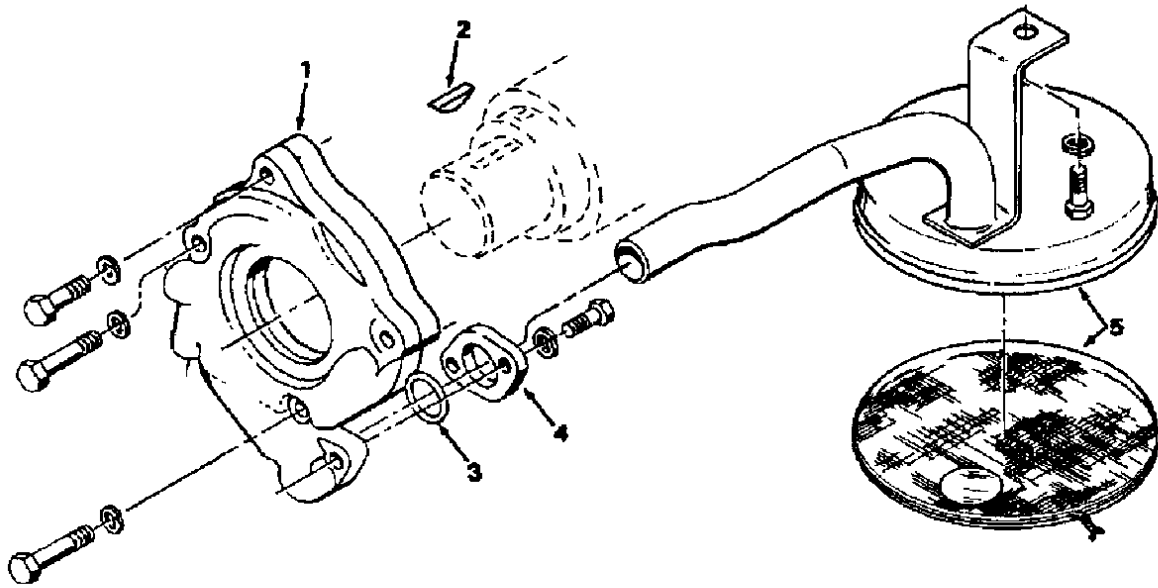


Fig. 7 - Oil Pump Group

01611

Key	TENNANT® Part No.	Teladyne Continental Part Number	Engine Serial Number	Description	Qty.
1		TM27L06020	(000000-)	Pump, Oil (for Engine 34910)	1
1		TM27L06030	(000000-)	Pump, Oil (for Engine 16850)	1
2		X00692	(000000-)	Key, Woodruff	1
3		X01673	(000000-)	O-Ring	1
4		TM27L00200	(000000-)	Adapter, Inlet Tube	1
5		TM27L05100	(000000-)	Tube Assembly, Oil Pump Inlet	1

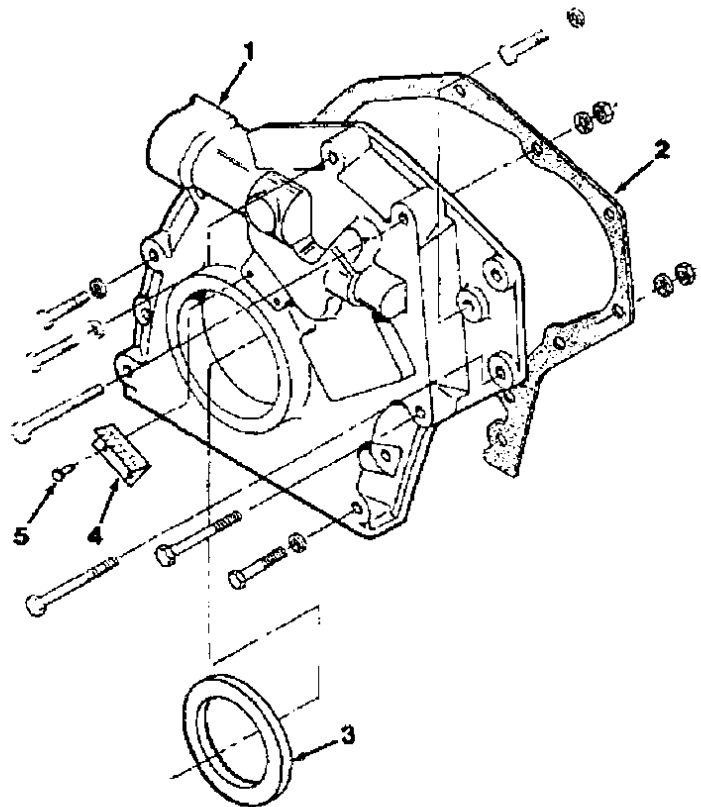


Fig. 8 - Gear Cover Group

01624

Key	TENNANT® Part No.	Teledyne Continental Part Number	Engine Serial Number	Description	Qty.
1	38381	TMD27B05003	(000000-)	Cover, Gear	1
2		TMD27B00405	(000000-)	Gasket, Gear Cover	1
3		X07823	(000000-)	Seal, Oil, Crankshaft (for Engine 34910)	1
3	38416	X07845	(000000-)	Seal, Oil, Crankshaft (for Engine 16850)	1
4		TM27B00300	(000000-)	Pointer, Engine Timing	1
5		X13012	(000000-)	Rivet, Timing Pointer to Gear Cover	2
		TMD27U02001	(000000-)	Gasket Set, Front	1

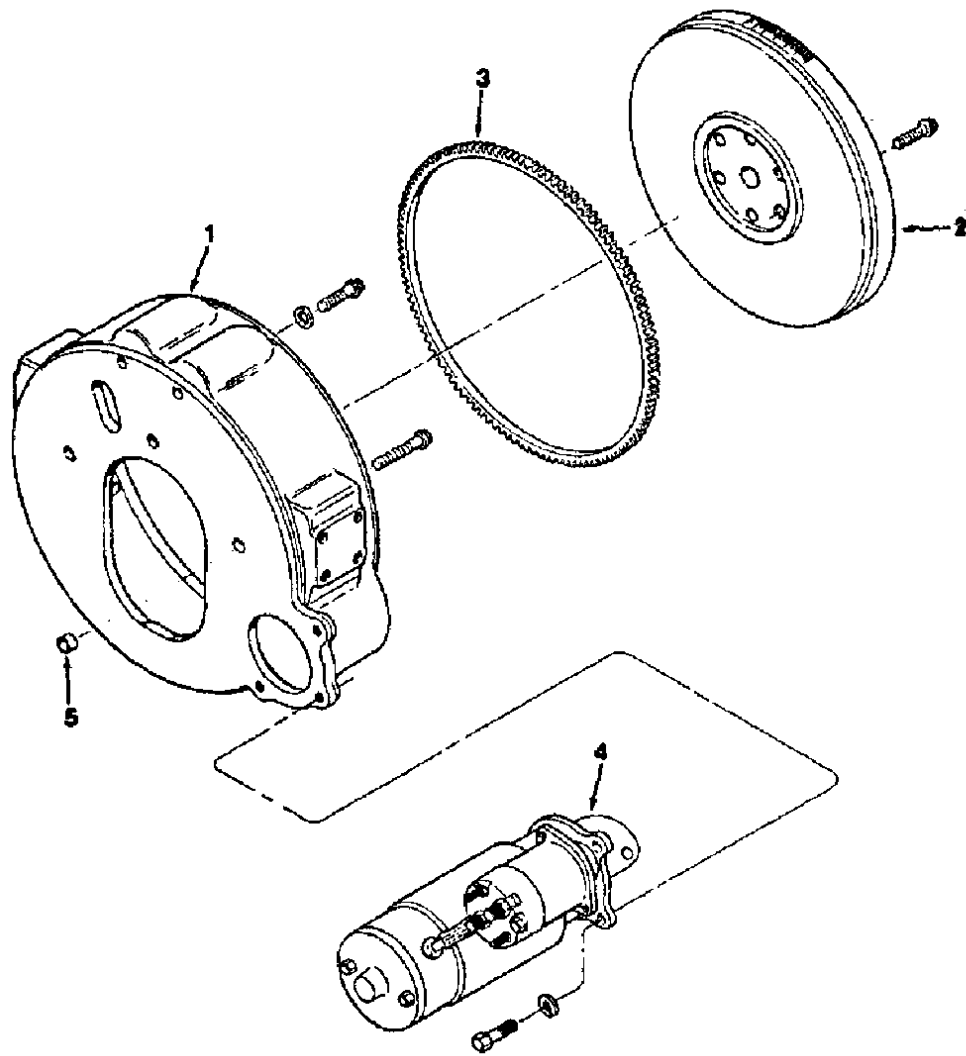


Fig. 9 - Flywheel and Starter Group

01625

Key	TENNANT® Part No.	Teledyne Continental Part Number	Engine Serial Number	Description	Qty.
1	16143	F140B00320	(000000-)	Housing, Flywheel	1
	16174	F601C04350	(000000-)	Flywheel (for Engine 34910)	1
	16147	F244C00317	(000000-)	Ring Gear (for Engine 34910)	1
2	16851	TM13C03100	(000000-)	Flywheel (for Engine 16850)	1
3	16852	TM13C00502	(000000-)	Ring Gear (for Engine 16850)	1
4	34547	TMD27M00315	(000000-)	Starter (for Engine 34910)	1
4	16855	TMD27M00504	(000000-)	Starter (for Engine 16850)	1
5		X07005	(000000-)	Dowel, Ring	2

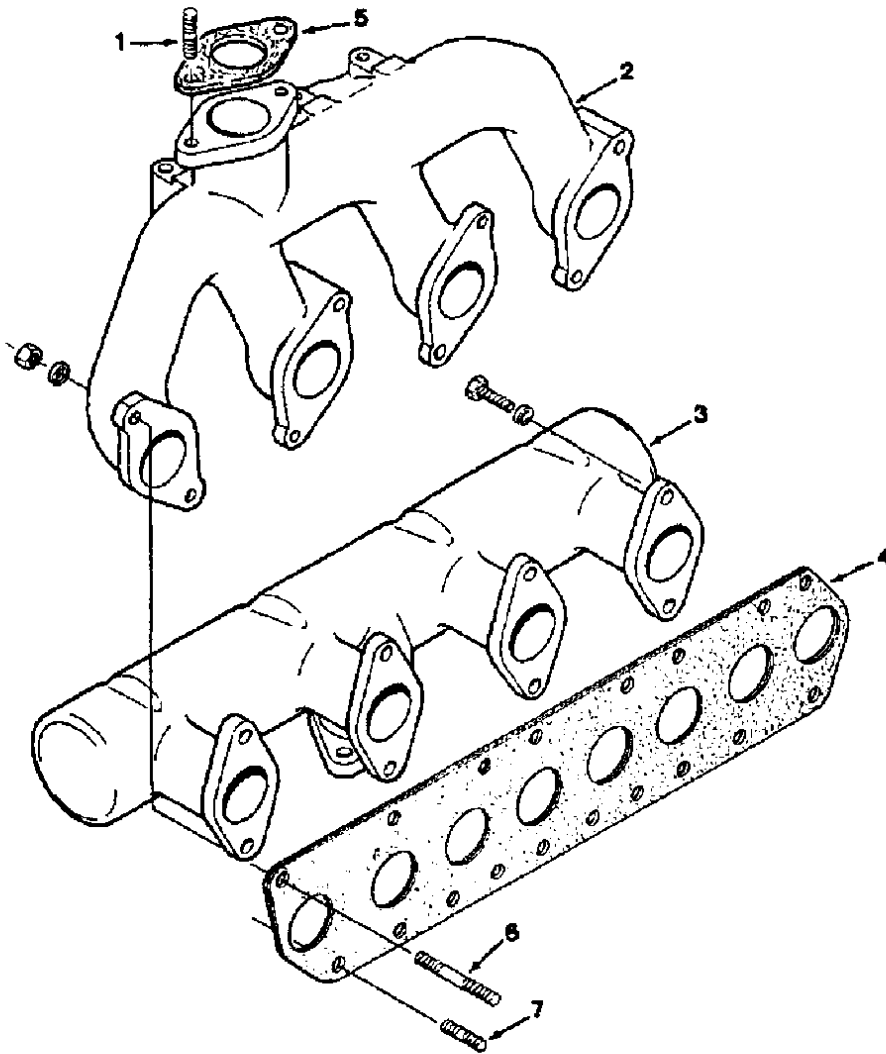


Fig. 10 - Intake and Exhaust Manifold Group

01626

Key	TENNANT® Part No.	Teledyne Continental Part Number	Engine Serial Number	Description	Qty.
1		XM32048	(000000-)	Stud	2
2	38383	TMD27E05011	(000000-)	Manifold, Exhaust	1
3		TMD27F00601	(000000-)	Manifold, Intake	1
4	34640	TM27E00400	(000000-)	Gasket Set, Manifold Gasket, Manifold	1 1
5		TM27E00300	(000000-)	Gasket, Manifold, Exhaust	1
6		XM32050	(000000-)	Stud	2
7		XM32022	(000000-)	Stud	6

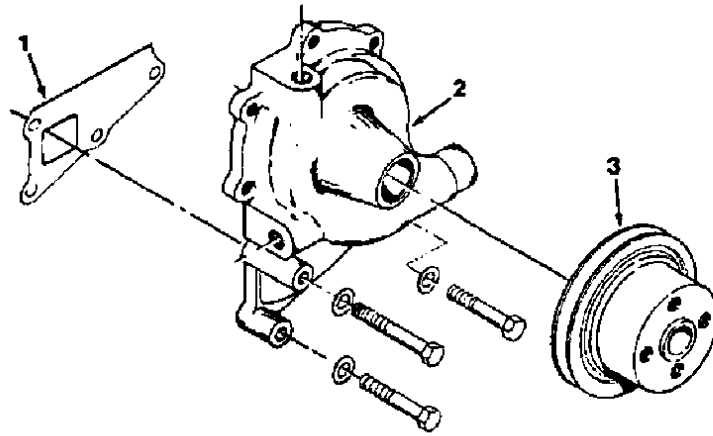


Fig. 11 - Water Pump Group

01615

Key	TENNANT® Part No.	Teledyne Continental Part Number	Engine Serial Number	Description	Qty.
	34830		(000000-)	Pump and Gasket, Water	1
1	34873	TM27K00301	(000000-)	Gasket, Water Pump to Crankcase	1
2	34429	TM27K06051	(000000-)	Pump, Water	1
		TM27T01003	(000000-)	Repair Kit, Water Pump	1
3		TM27K00412	(000000-)	Pulley	1

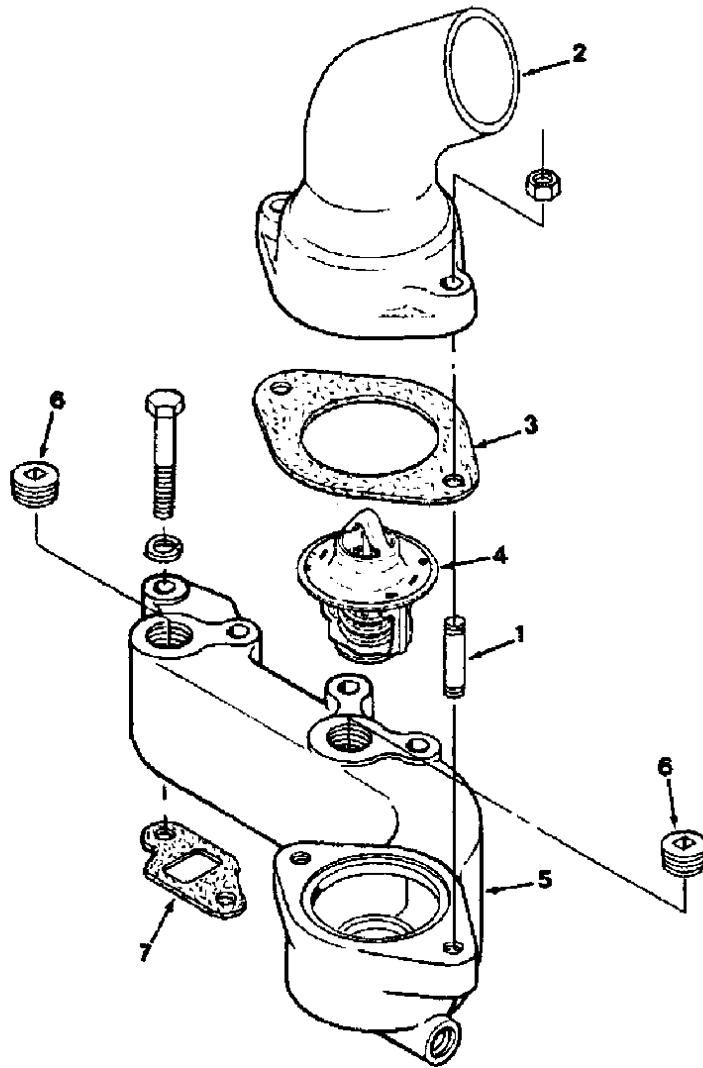


Fig. 12 - Water Header and Thermostat Group

01616

Key	TENNANT® Part No.	Teledyne Continental Part Number	Engine Serial Number	Description	Qty.
1		XM32001	(000000-)	Stud	2
2	38401	TM27K00310	(000000-)	Elbow, Water Outlet	1
	34752		(000000-)	Thermostat and Gasket	1
3	53988-12	C400K00215	(000000-)	Gasket, Elbow	1
4	53988-13	F601K00303	(000000-)	Thermostat	1
5		TM27K00503	(000000-)	Header, Water Outlet	1
6		X00101B	(000000-)	Plug	2
7		TM27K00304	(000000-)	Gasket, Header	1

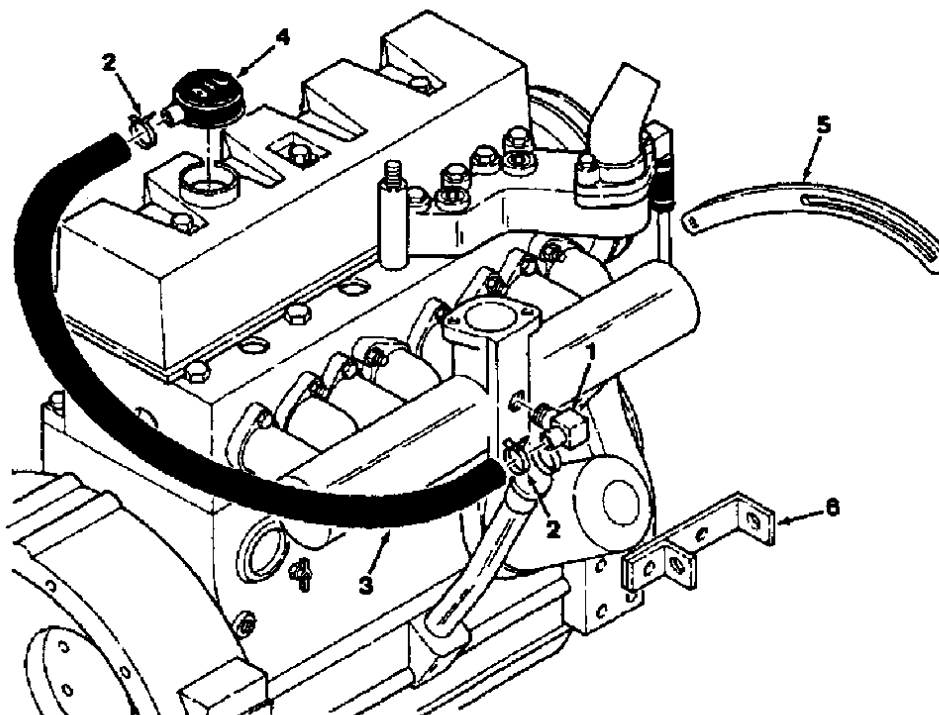


Fig. 13 - Alternator Brackets and PCV Group

01627

Key	TENNANT® Part No.	Teledyne Continental Part Number	Engine Serial Number	Description	Qty.
1		X26136	(000000-)	Elbow, Intake Manifold	1
2		X02751	(000000-)	Clamp, Hose	2
3		X08253180	(000000-)	Hose, Elbow To Filler Cap	1
4	38403	TM27L00412	(000000-)	Cap, Oil Filler	1
5		TM27M00308	(000000-)	Strap, Alternator	1
6		TM27M00401	(000000-)	Bracket, Alternator	1

ENGINE PARTS, DIESEL CONTINENTAL

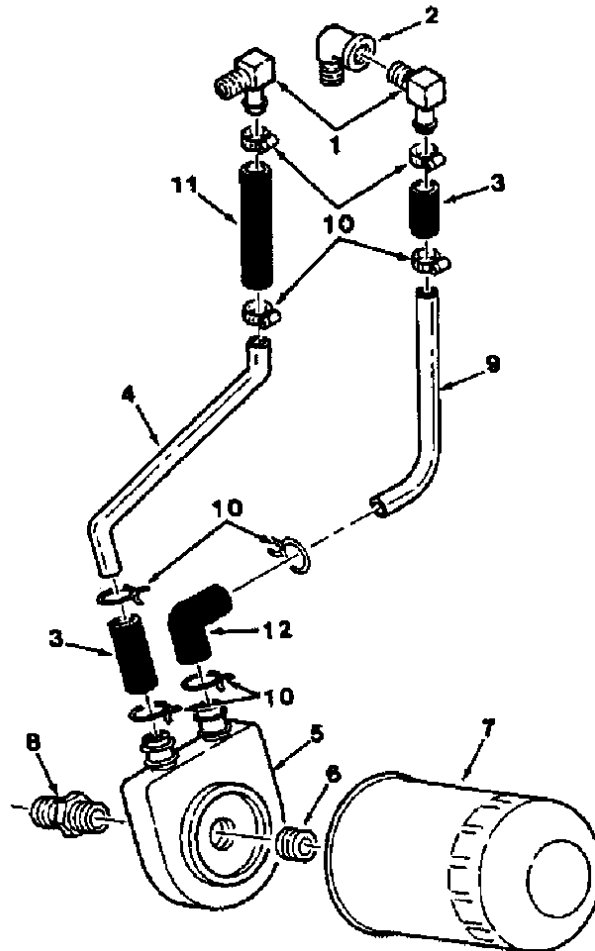


Fig. 14 - Oil Filter Group

01619

Key	TENNANT® Part No.	Teledyne Continental Part Number	Engine Serial Number	Description	Qty.
1	47388	X26142	(000000-)	Elbow, Water Header	2
2		X12191	(000000-)	Elbow, Water Pump	1
3		X08253020	(000000-)	Hose, Oil Cooler	2
4	38409	TM27L00516	(000000-)	Tube, Oil Cooler	1
5	38405	TM27L00420	(000000-)	Cooler, Oil	1
6	38402	TM27L00202	(000000-)	Adapter, Oil Filter	1
7	39703-2	F600L03750	(000000-)	Element, Oil Filter (for Engine 34910)	1
7	16853	TM27L00312	(000000-)	Element, Oil Filter (for Engine 16850)	1
8		TM27L00204	(000000-)	Connector, Oil Cooler	1
9	38406	TM27L00423	(000000-)	Tube, Oil Cooler	1
10		X02751	(000000-)	Clamp, Hose	8
11		X08253040	(000000-)	Hose, Oil Cooler	1
12		TM27L00208	(000000-)	Hose, Oil Cooler	1

CONTENTS

	Page
ORDERING REPAIR PARTS	17-3
Fig. 1 - Block Group	17-4
Fig. 2 - Cylinder Head Group	17-6
Fig. 3 - Rocker Shaft Group	17-8
Fig. 4 - Cover Group	17-10
Fig. 5 - Camshaft Group	17-12
Fig. 6 - Induction Manifold Group	17-14
Fig. 7 - Exhaust Manifold Group	17-15
Fig. 8 - Crankshaft Group	17-16
Fig. 9 - Oil Sump Group	17-18
Fig. 10 - Oil Pump Group	17-20
Fig. 11 - Oil Filter Group	17-21
Fig. 12 - Sheave Group	17-22
Fig. 13 - Water Pump Group	17-23
Fig. 14 - Fuel Filter Group	17-24
Fig. 15 - Injection Pump Group	17-26
Fig. 16 - Flywheel Housing Group	17-28
Fig. 17 - Gasket Kits	17-30

NOTE: SECTION 17, ENGINE PARTS, DIESEL PERKINS, lists repair parts for diesel powered Perkins engines, TENNANT part number 07845.



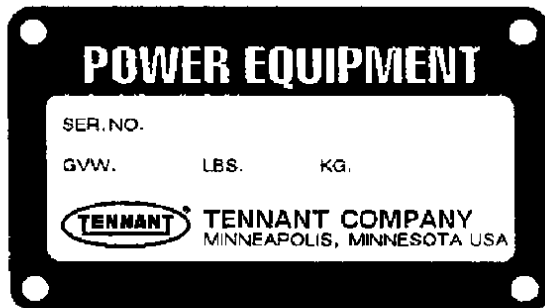
ORDERING REPAIR PARTS

The components used in this machine have been carefully selected for performance and safety. Use only Tennant Company specified or equivalent parts.

To receive prompt service in filing of your parts orders, please direct all orders for parts with Tennant Company part numbers to the Tennant Company, and all orders for parts with vendor part numbers to the local supplier of the respective vendor.

When ordering parts, please furnish all of the following information:

1. Machine model number - shown on the machine data plate.



2. Machine serial number - shown on the machine data plate.
3. Power source - gasoline, LPG, diesel, electric.
4. Company name.
5. Shipping address.
6. Billing address.
7. Name, first and last - of person ordering parts.
8. Telephone number.
9. Purchase order number.
10. Part number, description, and quantity - of each item on the order.
11. Customer ID Number.

Do not order parts by key number or the figure number of the illustrated parts. Indented items indicate parts of assemblies. Standard hardware is furnished only when part of a purchased assembly. Please get hardware from a local hardware supplier.

If the old part cannot be identified, send it to us with the quantity needed specified on the order.

Any claim for loss or damage to a shipment in transit should be filed promptly against the transportation company making the delivery. Shipments will be complete unless the packing list or order acknowledgement indicate items back ordered.

If parts received are suspected to be incorrect or defective, please write, wire, or phone the Tennant Company representative from whom you ordered the part. They will give authorization for return and/or handle replacement shipments when required.

SERIAL NUMBER INFORMATION EXPLANATION

Serial number listings are shown to indicate on which machines each part can be used. These listings are explained by the following examples:

(000000-) The part can be used on all machines.

(003342-) The part can be used on all machines beginning with the serial number listed.

(000000-004320) The part can be used on all machines up to and including serial number listed.

(004321-005678) The part can be used on all machines between and including the serial numbers listed.

Where xxxxxx's are listed in place of a serial number, it indicates a change was made but the exact serial number had not been established when the catalog went to press.

SI UNITS OF MEASURE (INTERNATIONAL SYSTEM)

Metric equivalents have been included, where applicable, throughout this parts catalog.

FASTENER STRENGTH IDENTIFICATION

Fasteners required to have high-strength qualities equivalent to SAE Grade 8 are identified throughout this catalog by the description GR 8. Unless identified by this description, all standard fasteners are SAE Grade 5.

(Specifications and design subject to change without notice.)

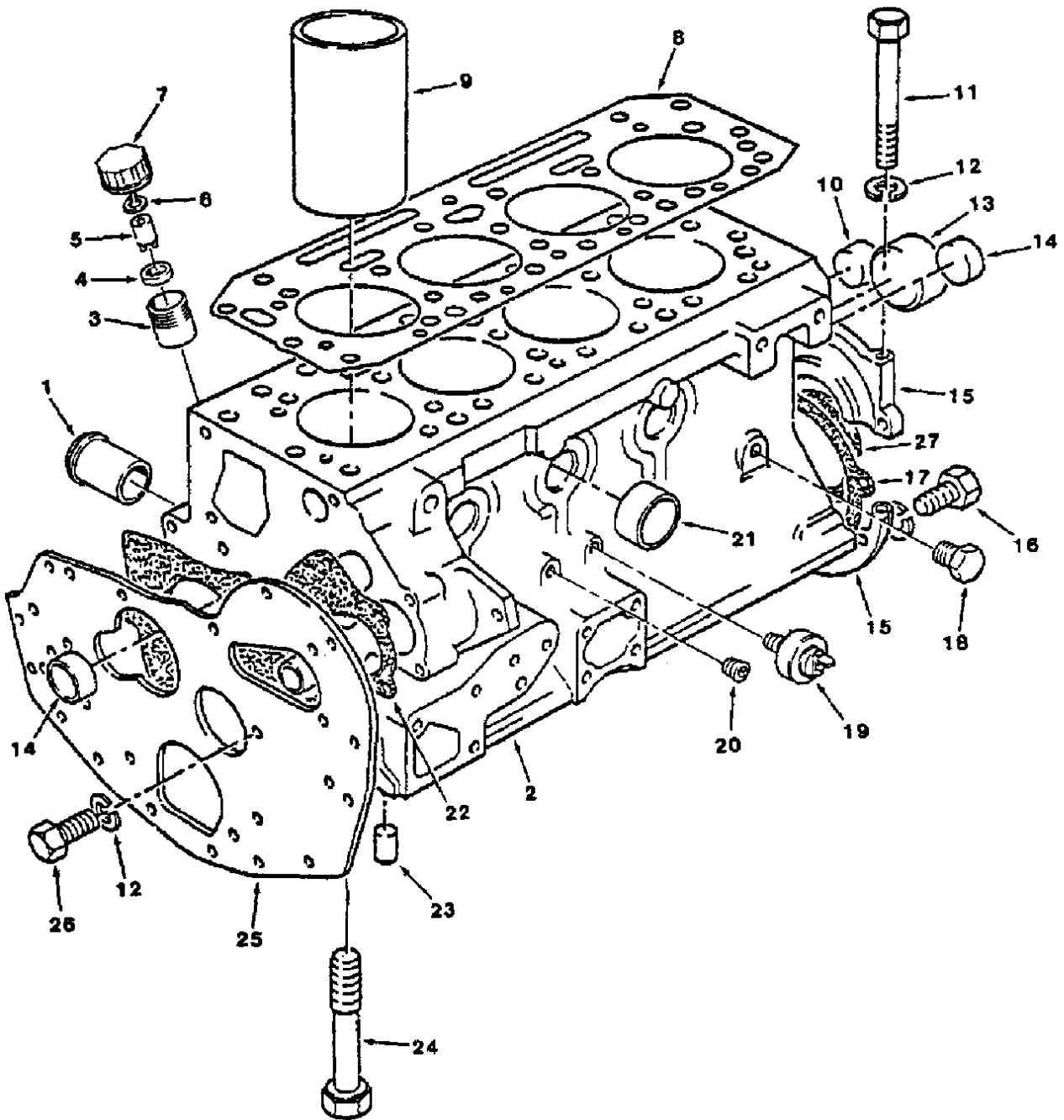


Fig. 1 - Block Group

Fig. 1 - Block Group

Key	TENNANT® Part No.	Perkins Part Number	Engine Serial Number	Description	Qty.
1		0201297	(000000-) Connection	1
2		62111	(000000-) Block	1
3		0770101	(000000-) Sleeve	1
4		0050358	(000000-) Bearing	1
5		33473107	(000000-) Shaft	1
6		0170052	(000000-) Circlip	1
7		32813106	(000000-) Nut, Cap	1
8		36812134	(000000-) Gasket	1
9		31358117	(000000-) Liner	4
10		0650664	(000000-) Plug	1
11		0096238	(000000-) Screw	2
12		0920053	(000000-) Washer	2
13		0650777	(000000-) Plug	1
14		0650710	(000000-) Plug	2
15		90990	(000000-) Cover	1
16		0746259	(000000-) Screw	6
17		36826114	(000000-) Joint	1
18		32161114	(000000-) Plug	2
19		2848062	(000000-) Switch	1
20		0650594	(000000-) Plug	1
21		0650563	(000000-) Plug	3
22		0490740	(000000-) Joint	1
23		0350014	(000000-) Dowel	6
24		32166216	(000000-) Screw	6
25		36256717	(000000-) Plate	1
26		0746254	(000000-) Screw	4
27		36883107	(000000-) Seal	2

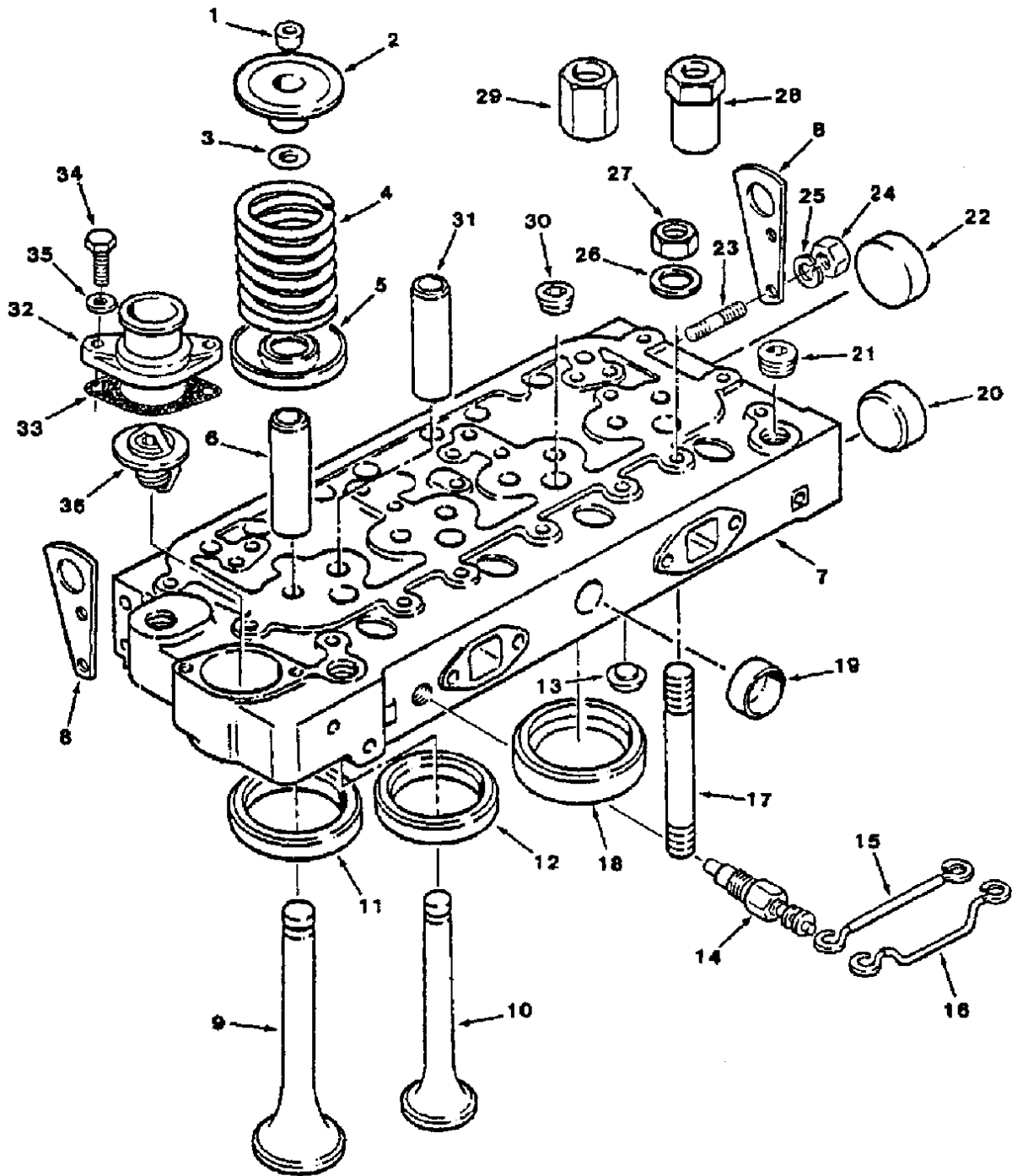


Fig. 2 - Cylinder Head Group

Fig. 2 - Cylinder Head Group

Key	TENNANT® Part No.	Perkins Part Number	Engine Serial Number	Description	Qty.
1		0230001	(000000-)	Cotter	8
2		0150129	(000000-)	Cap	8
3		33817403	(000000-)	Seal	8
4		0780144	(000000-)	Spring	8
5		0921117	(000000-)	Seat	8
6		3313E001	(000000-)	Guide	4
7		68176	(000000-)	Head, Cylinder	1
8		0940990	(000000-)	Plate	1
9		0910060	(000000-)	Valve	4
10		0910061	(000000-)	Valve	4
11		33124424	(000000-)	Insert	4
12		33123411	(000000-)	Insert	4
13		0921249	(000000-)	Washer	4
14		2666408	(000000-)	Glow Plug	4
15		34165132	(000000-)	Bar	1
16		34165129	(000000-)	Bar	2
17		32524148	(000000-)	Stud	18
18		37443591	(000000-)	Insert	4
19		0650664	(000000-)	Plug	1
20		0650576	(000000-)	Plug	1
21		2431154	(000000-)	Plug	3
22		0650563	(000000-)	Plug	1
23		0826478	(000000-)	Stud	2
24		0576051	(000000-)	Nut	2
25		0920054	(000000-)	Washer	2
26		33115411	(000000-)	Washer	18
27		33221317	(000000-)	Nut	11
28		33531117	(000000-)	Nut	6
29		33287314	(000000-)	Nut	1
30		2431a054	(000000-)	Plug	4
31		33261723	(000000-)	Guide	4
32		0200666	(000000-)	Connection	1
33		0490184	(000000-)	Joint	1
34		0096433	(000000-)	Bolt	2
35		0920155	(000000-)	Washer	2
36		2485666	(000000-)	Thermostat	1

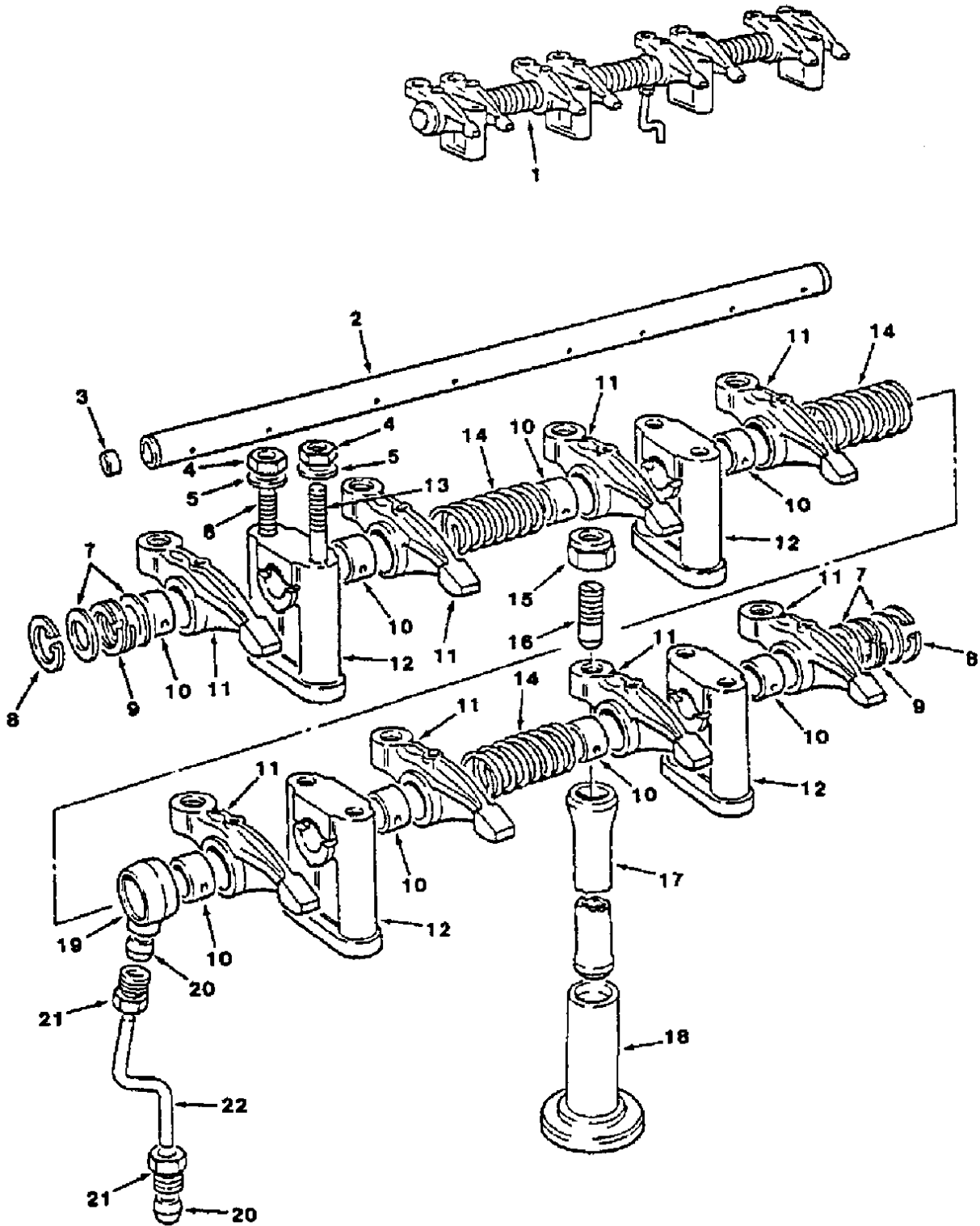


Fig. 3 - Rocker Shaft Group

Fig. 3 - Rocker Shaft Group

Key	TENNANT® Part No.	Perkins Part Number	Engine Serial Number	Description	Qty.
1		93005	(000000-)	Shaft	1
2		55286	(000000-)	Shaft	1
3		0650507	(000000-)	Plug	2
4		0576302	(000000-)	Nut	6
5		0920003	(000000-)	Washer	6
6		0826250	(000000-)	Stud	6
7		0920485	(000000-)	Washer	4
8		0170033	(000000-)	Circlip	2
9		0921122	(000000-)	Washer	2
10		0050132	(000000-)	Bushing, Set	1
11		41151472	(000000-)	Lever	8
12		0102202	(000000-)	Bracket	4
13		0825219	(000000-)	Stud	2
14		0780261	(000000-)	Spring	3
15		0576151	(000000-)	Nut	8
16		0720790	(000000-)	Screw	8
17		31434306	(000000-)	Rod	8
18		31434152	(000000-)	Tappet	8
19		0201318	(000000-)	Connection	1
20		0566002	(000000-)	Olive	2
21		0571351	(000000-)	Nut	2
22		34414122	(000000-)	Pipe	1

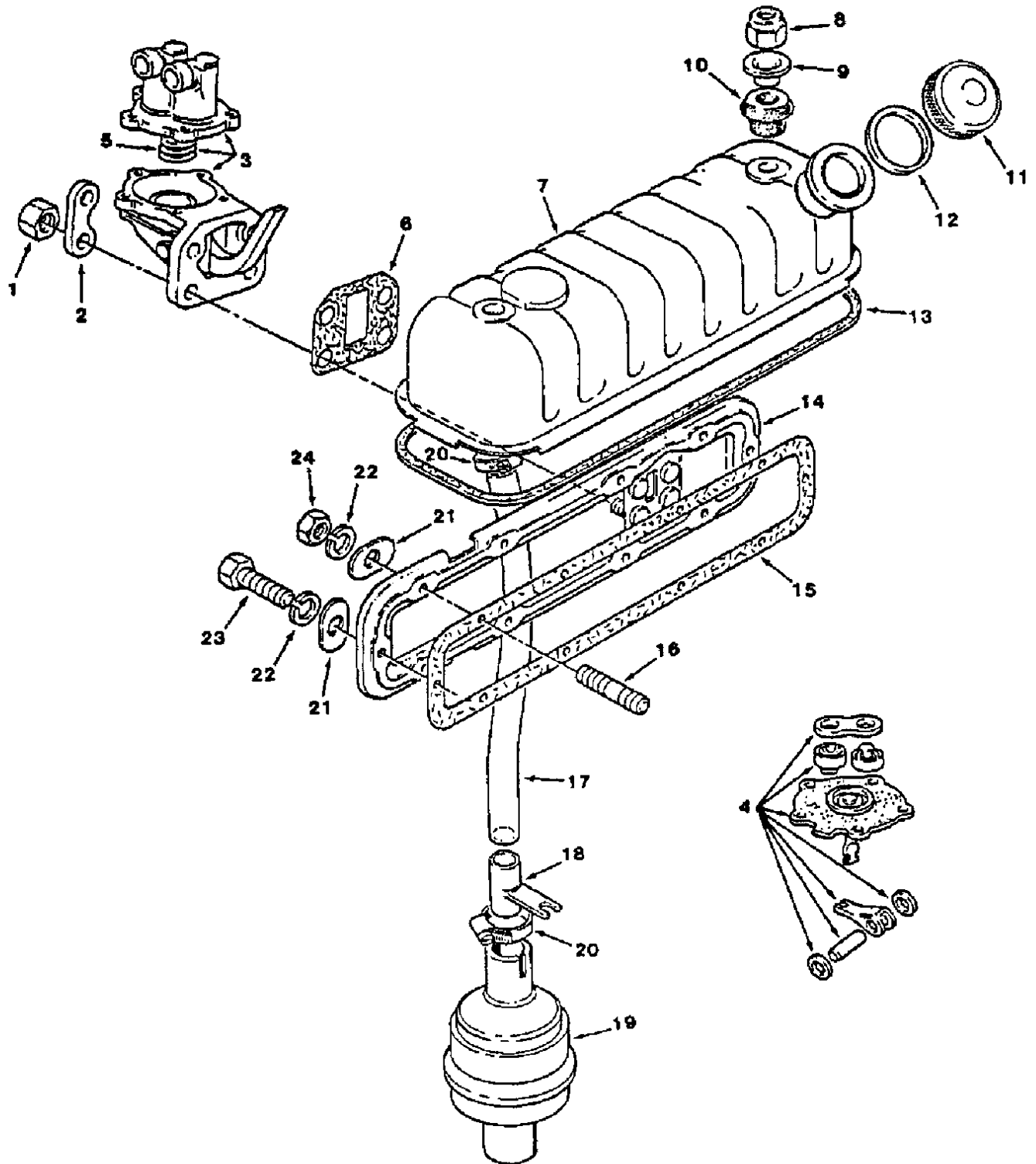


Fig. 4 - Cover Group

Fig. 4 - Cover Group

Key	TENNANT® Part No.	Perkins Part Number	Engine Serial Number	Description	Qty.
1		33221115	(000000-)	Nut	4
2		36241316	(000000-)	Plate	2
3		2641702	(000000-)	Pump, Fuel Lift	1
4	38747	26410096	(000000-)	Kit, Repair	1
5		0780240	(000000-)	Spring	1
6		36851113	(000000-)	Joint	1
7		37188137	(000000-)	Cover	1
8		0576102	(000000-)	Nut	2
9		0921116	(000000-)	Washer	2
10		0730116	(000000-)	Seal	2
11		2487841	(000000-)	Cap	1
12		24870001	(000000-)	Joint	1
13		0490724	(000000-)	Joint	1
14		37554591	(000000-)	Cover	1
15		36846412	(000000-)	Joint	1
16		0826249	(000000-)	Stud	8
17		33872312	(000000-)	Pipe	1
18		35731143	(000000-)	Pipe	1
19		2652845	(000000-)	Body	1
20		2481863	(000000-)	Clip	2
21		36151505	(000000-)	Washer	10
22		0920053	(000000-)	Washer	10
23		0746254	(000000-)	Screw	2
24		0576002	(000000-)	Nut	8

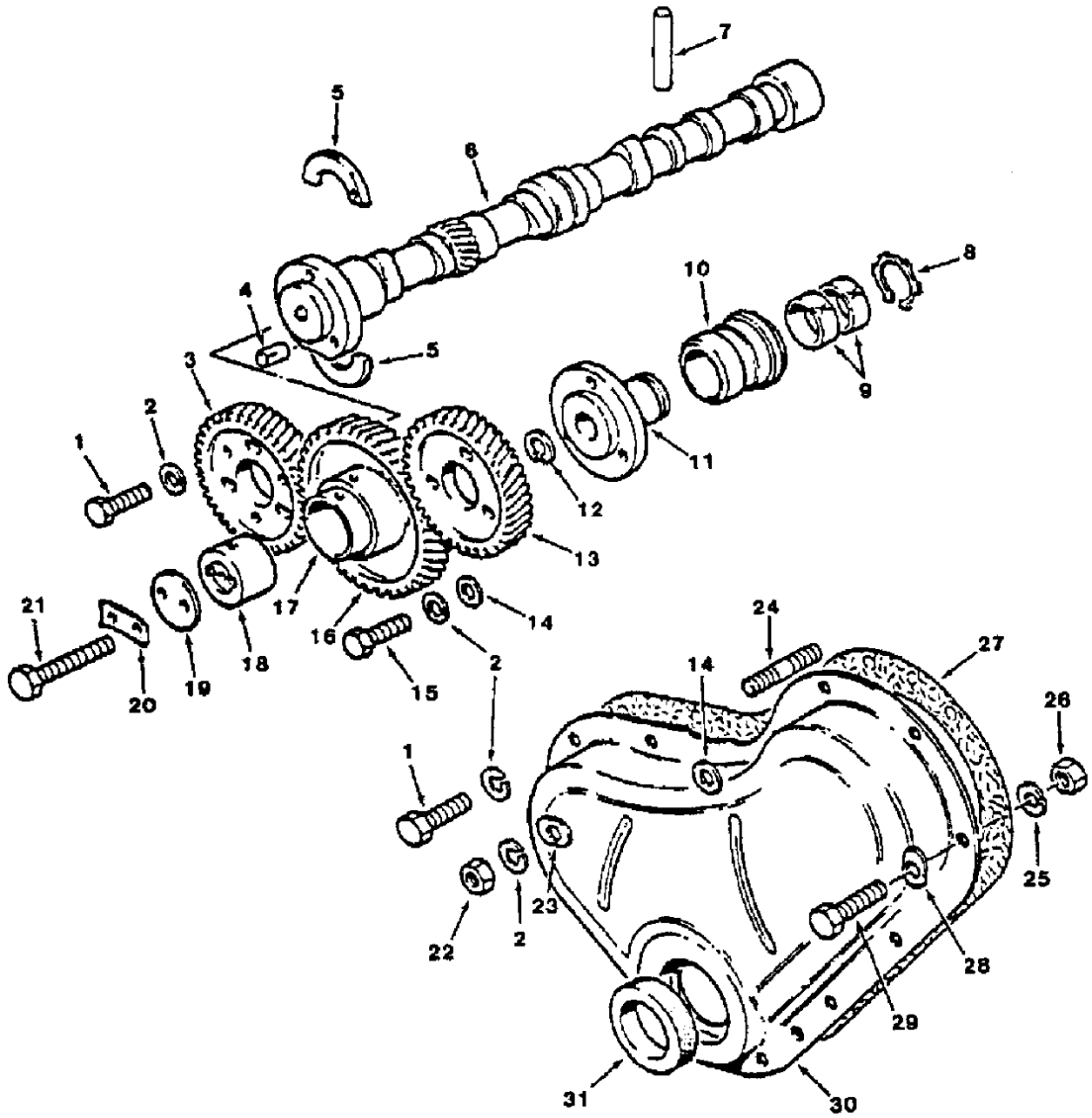


Fig. 5 - Camshaft Group

Fig. 5 - Camshaft Group

Key	TENNANT® Part No.	Perkins Part Number	Engine Serial Number	Description	Qty.
1		0746255	(000000-)	Screw	11
2		0920053	(000000-)	Washer	12
3		31171541	(000000-)	Gear	1
4		2116053	(000000-)	Pin	1
5		36178509	(000000-)	Plate, Thrust	2
6		31415303	(000000-)	Camshaft	1
7		0700279	(000000-)	Rod	1
8		2724436	(000000-)	Circlip	1
9		2511447	(000000-)	Bushing	2
10		41425781	(000000-)	Housing	1
11		33472494	(000000-)	Hub	1
12		0170048	(000000-)	Circlip	1
13		31171542	(000000-)	Gear	1
14		0920003	(000000-)	Washer	4
15		0746355	(000000-)	Screw	3
16		41115036	(000000-)	Idler	1
17		31134137	(000000-)	Idler	1
18		33426516	(000000-)	Hub	1
19		0941044	(000000-)	Plate	1
20		0921159	(000000-)	Washer	1
21		0746461	(000000-)	Screw	2
22		0576002	(000000-)	Nut	1
23		36151505	(000000-)	Washer	1
24		0826201	(000000-)	Stud	1
25		0920052	(000000-)	Washer	4
26		0576001	(000000-)	Nut	4
27		36813145	(000000-)	Joint	1
28		36151506	(000000-)	Washer	4
29		0746052	(000000-)	Bolt	4
30		37161104	(000000-)	Case	1
31		2415338	(000000-)	Seal	1

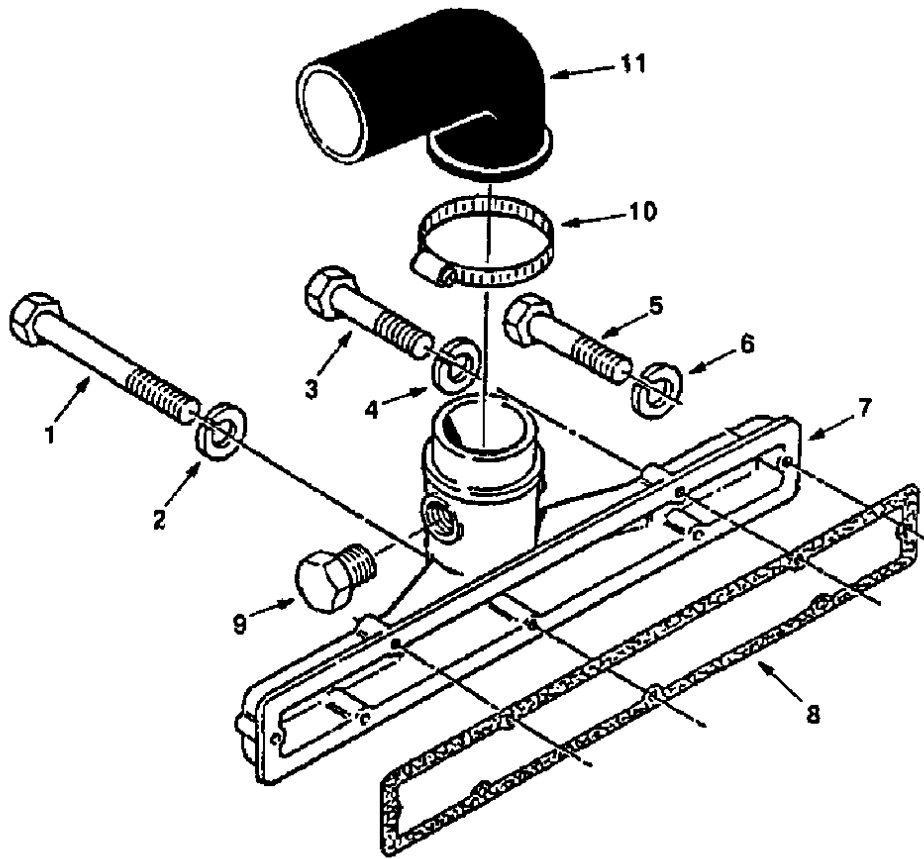
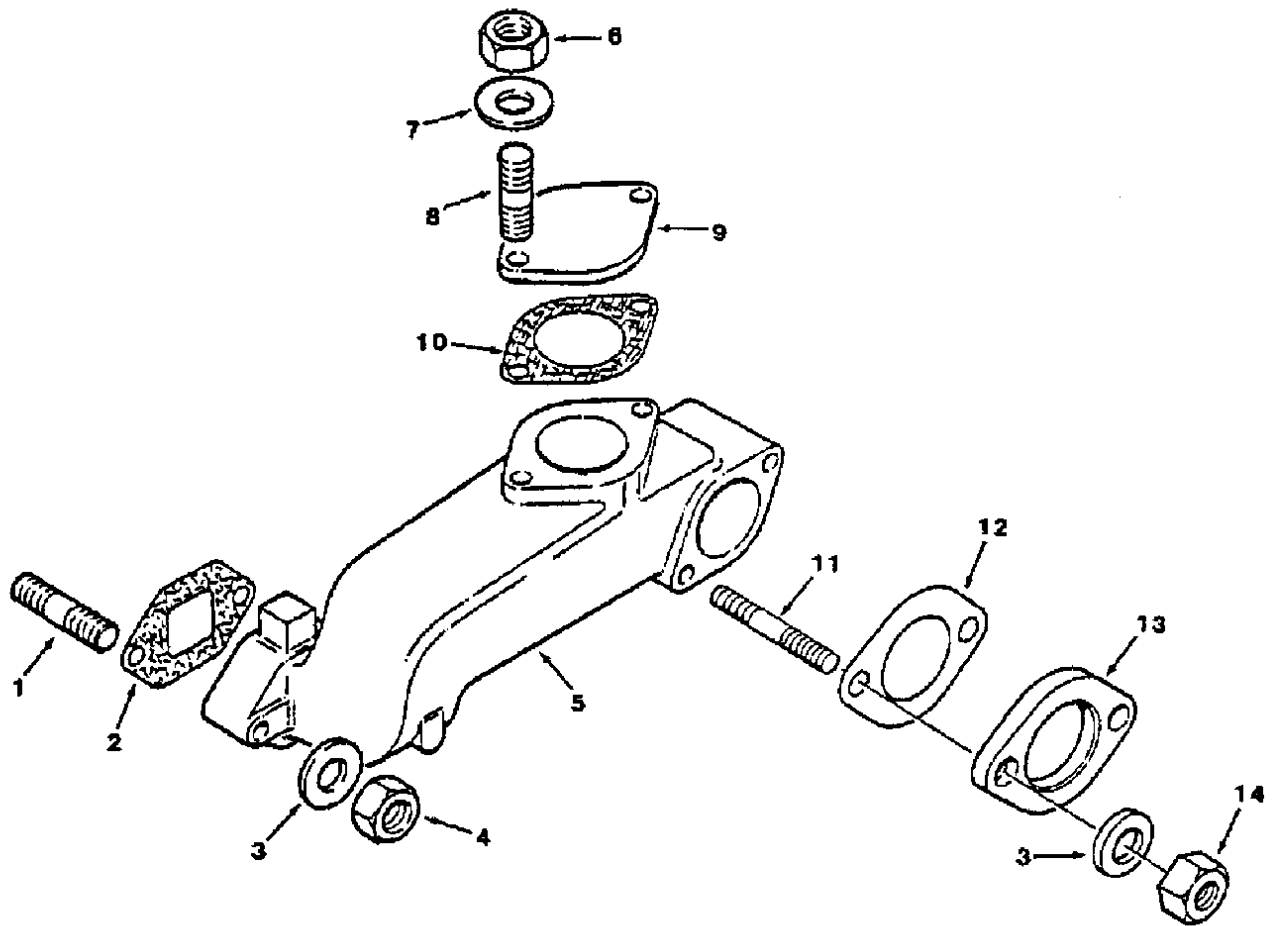


Fig. 6 - Induction Manifold Group

03578

Key	TENNANT® Part No.	Perkins Part Number	Engine Serial Number	Description	Qty.
1		0096237	(000000-)	Screw	1
2		0920053	(000000-)	Washer	1
3		0096233	(000000-)	Bolt	2
4		0920053	(000000-)	Washer	2
5		0096231	(000000-)	Screw	2
6		0920053	(000000-)	Washer	2
7		37786175	(000000-)	Manifold	1
8		36846415	(000000-)	Joint	1
9		0650722	(000000-)	Plug	1
10	14432		(000000-)	Clamp, Worm Drive	1
11	52770-11		(000000-)	Elbow, Inlet	1



02935

Fig. 7 - Exhaust Manifold Group

Key	TENNANT® Part No.	Perkins Part Number	Engine Serial Number	Description	Qty.
1		0826260	(000000-)	Stud	4
2		0490656	(000000-)	Joint	2
3		0920003	(000000-)	Washer	6
4		2188134	(000000-)	Nut	4
5		37783543	(000000-)	Manifold	1
6		2188134	(000000-)	Nut	2
7		0920003	(000000-)	Washer	2
8		0826242	(000000-)	Stud	2
9		0940357	(000000-)	Plate	1
10		0490656	(000000-)	Joint	1
11		0826242	(000000-)	Stud	2
12		0490228	(000000-)	Gasket	1
13		0380068	(000000-)	Flange	1
14		0576064	(000000-)	Nut	2

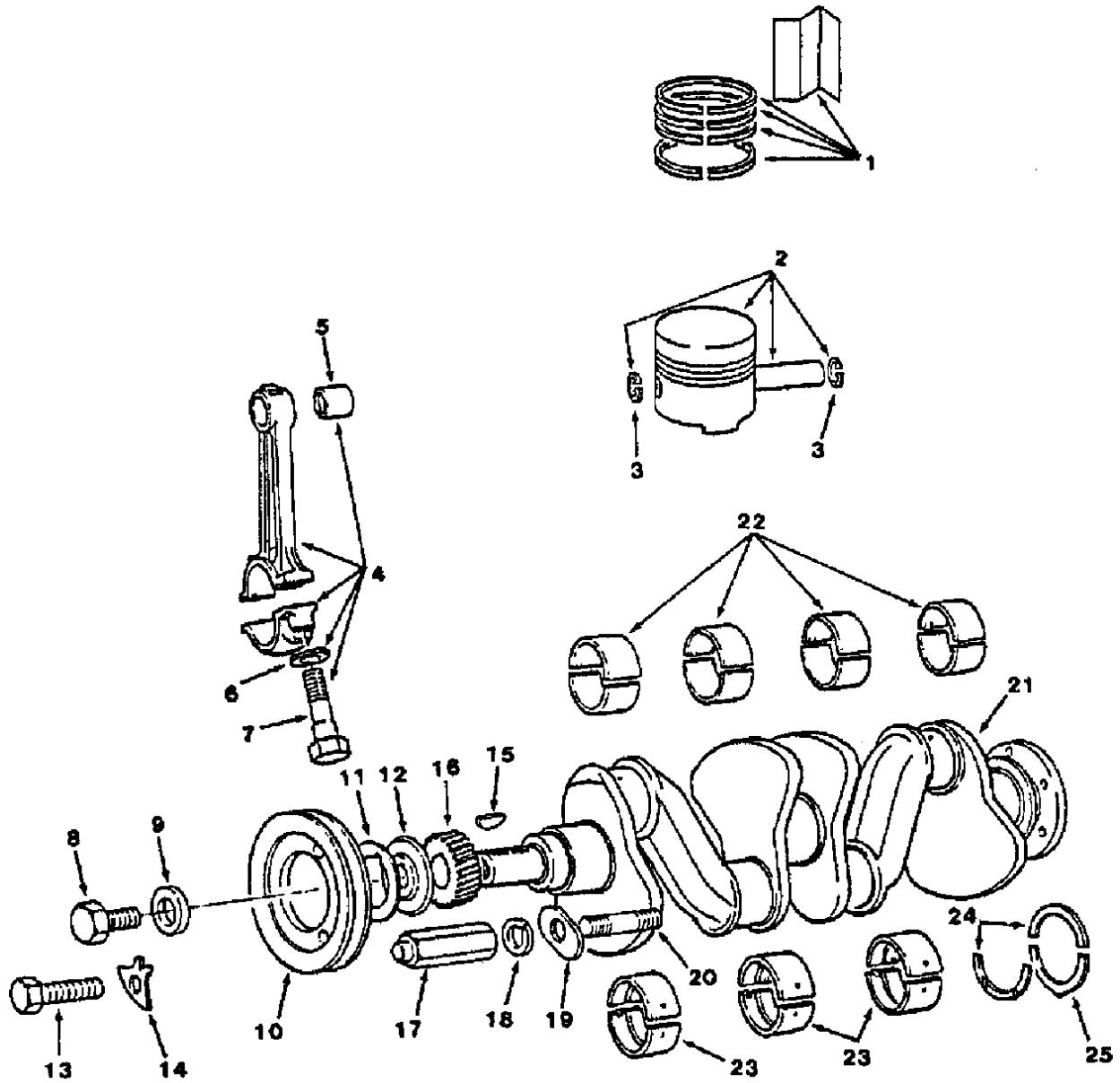


Fig. 8 - Crankshaft Group

Fig. 8 - Crankshaft Group

Key	TENNANT® Part No.	Perkins Part Number	Engine Serial Number	Description	Qty.
1		41158008	(000000-)	Kit, Piston Ring	4
2		69491	(000000-)	Piston	4
3		2721124	(000000-)	Circlip	2
4		83417	(000000-)	Conrod	4
5		31134145	(000000-)	Bushing	1
6		33115121	(000000-)	Washer	2
7		0095314	(000000-)	Screw	2
8		32162329	(000000-)	Screw	1
9		33124458	(000000-)	Washer	1
10		31147741	(000000-)	Pulley	1
11		33176156	(000000-)	Spacer	1
12		33474003	(000000-)	Flange	1
13		0746454	(000000-)	Screw	3
14		31733116	(000000-)	Washer	3
15		0500006	(000000-)	Key	1
16		31171245	(000000-)	Gear	1
17		32726511	(000000-)	Pin	1
18		0920053	(000000-)	Washer	1
19		36151505	(000000-)	Washer	1
20		0826248	(000000-)	Stud	1
21		84417	(000000-)	Shaft	1
22		85037	(000000-)	Bearing	1
22		85037A	(000000-)	Bearing, 0.010" undersize	1
22		85037B	(000000-)	Bearing, 0.020" undersize	1
22		85037C	(000000-)	Bearing, 0.030" undersize	1
23		84992	(000000-)	Bearing	1
23		84992A	(000000-)	Bearing, 0.010" undersize	1
23		84992B	(000000-)	Bearing, 0.020" undersize	1
23		84992C	(000000-)	Bearing, 0.030" undersize	1
24		0921120	(000000-)	Washer	2
24		0921120A	(000000-)	Washer, 0.007" oversize	1
25		0921118	(000000-)	Washer	1
25		0921118A	(000000-)	Washer, 0.007" oversize	1

Fig. 9 - Oil Sump Group

Key	TENNANT® Part No.	Perkins Part Number	Engine Serial Number	Description	Qty.
1		31785417	(000000-) Dipstick	1
2		33111412	(000000-) Washer	1
3		0560244	(000000-) Olive	1
4		33532121	(000000-) Union	1
5		35772607	(000000-) Tube	1
6		41424207	(000000-) Joint	1
7		35736145	(000000-) Pipe	1
8		0941041	(000000-) Plate	1
9		0780310	(000000-) Spring	1
10		0920003	(000000-) Washer	2
11		0920053	(000000-) Washer	17
12		0746254	(000000-) Screw	8
13		37725448	(000000-) Strainer	1
14		0490775	(000000-) Joint	2
15		0941040	(000000-) Plate	1
16		37172061	(000000-) Sump	1
17		2411260	(000000-) Washer	1
18		2487004	(000000-) Plug	1
19		36151505	(000000-) Washer	7
20		0941039	(000000-) Plate	1
21		0746255	(000000-) Screw	9
22		0941042	(000000-) Plate	1
23		0920005	(000000-) Washer	2

ENGINE PARTS, DIESEL PERKINS

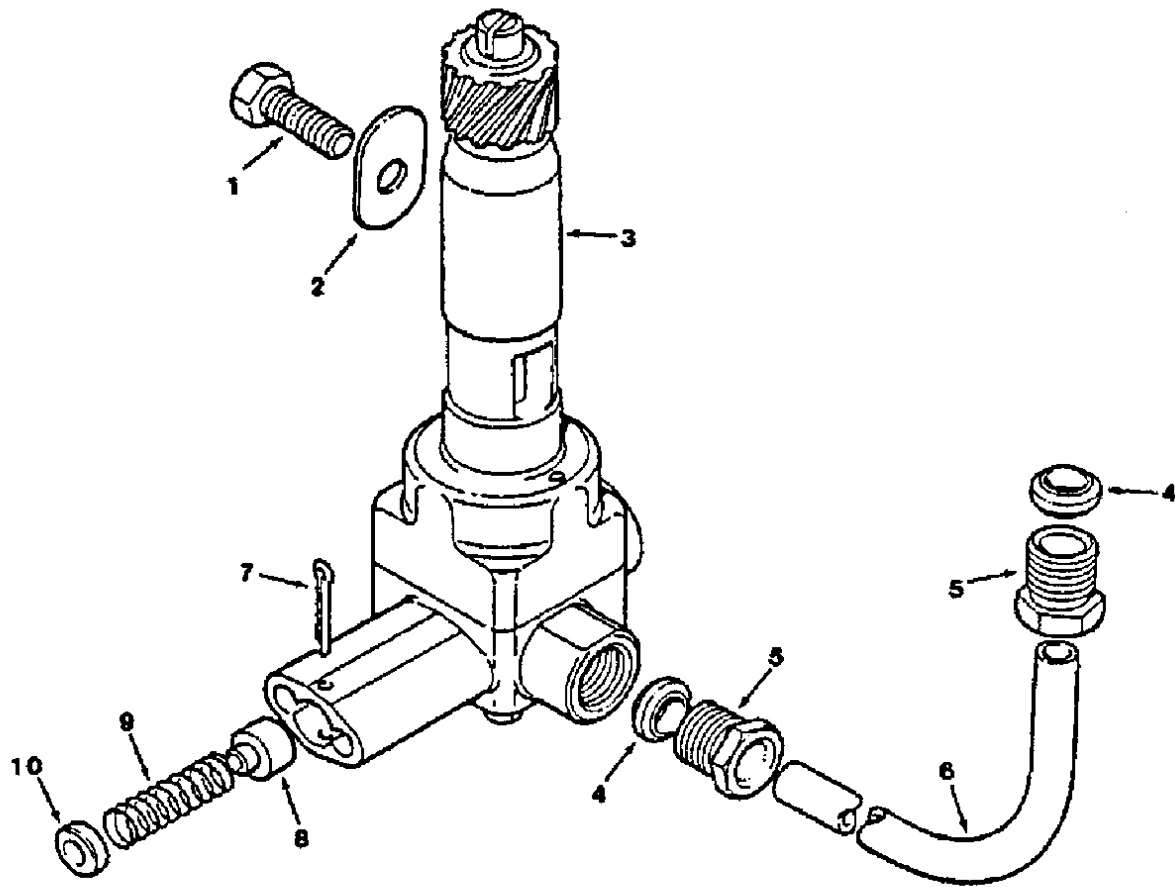


Fig. 10 - Oil Pump Group

02936

Key	TENNANT® Part No.	Perkins Part Number	Engine Serial Number	Description	Qty.
1		0746201	(000000-)	Screw	1
2		36151507	(000000-)	Washer	1
3		41314089	(000000-)	Pump	1
4		0566007	(000000-)	Olive	2
5		0571352	(000000-)	Nut	2
6		0623293	(000000-)	Pipe	1
7		0610011	(000000-)	Pin	1
8		32712715	(000000-)	Plunger	1
9		31742128	(000000-)	Spring	1
10		33157122	(000000-)	Cap	1

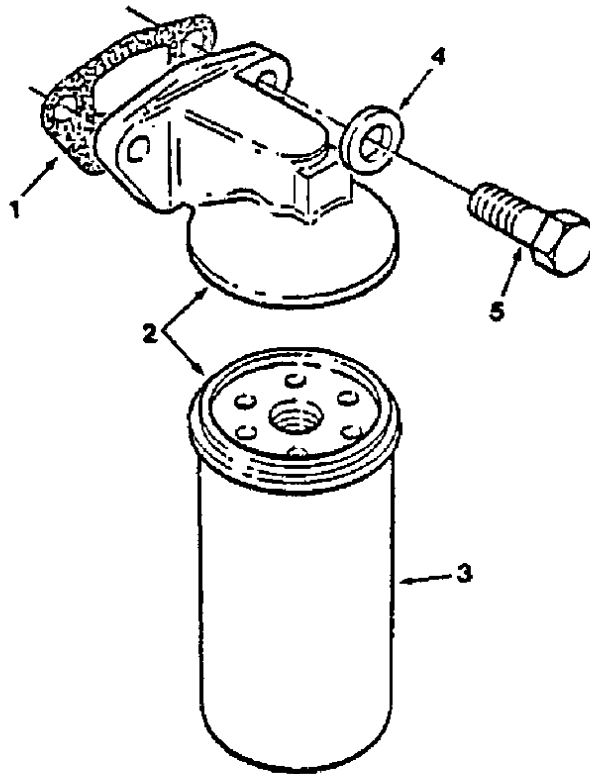


Fig. 11 - Oil Filter Group

02937

Key	TENNANT® Part No.	Perkins Part Number	Engine Serial Number	Description	Qty.
1		36862517	(000000-)	Joint	1
2		37764181	(000000-)	Head	1
3	52770-5	2654403	(000000-)	Filter, Oil	1
4		33115118	(000000-)	Washer	2
5		0746652	(000000-)	Screw	2

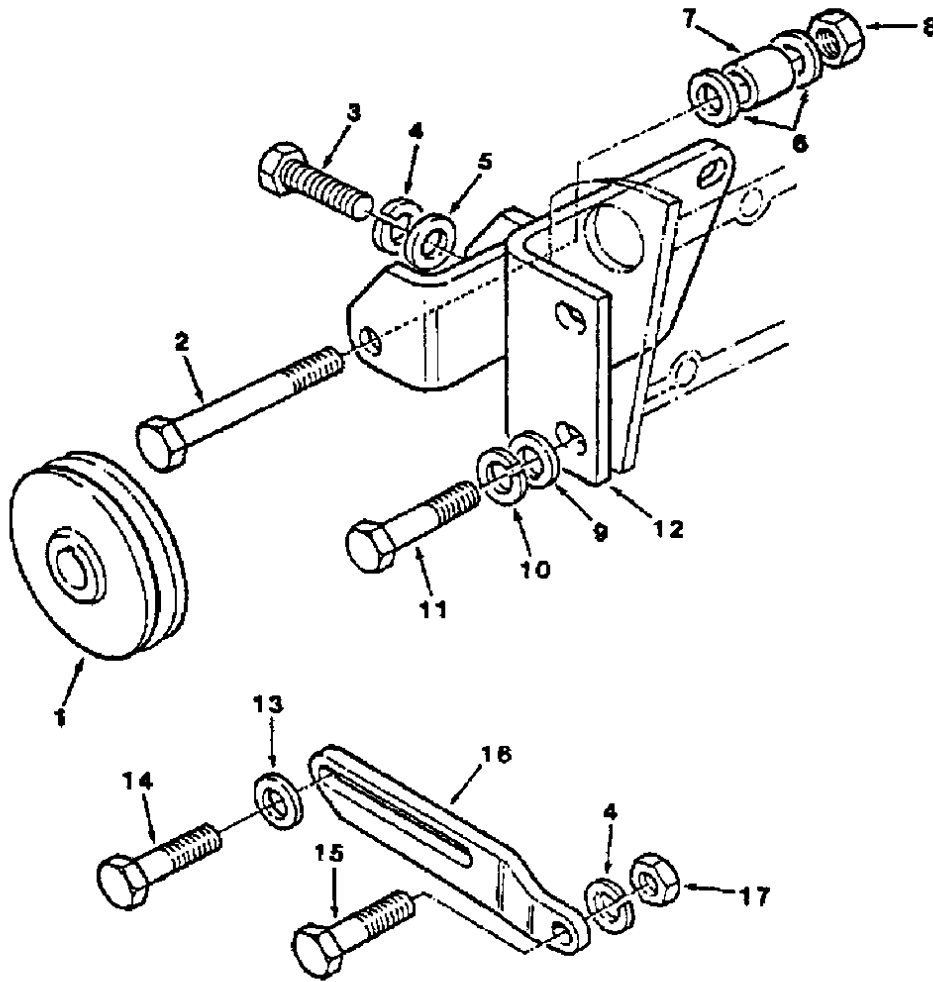


Fig. 12 - Sheave Group

02938

Key	TENNANT® Part No.	Perkins Part Number	Engine Serial Number	Description	Qty.
1		31141645	(000000-)	Pulley	1
2		0096448	(000000-)	Bolt	1
3		0096235	(000000-)	Bolt	1
4		0920053	(000000-)	Washer	2
5		0920003	(000000-)	Washer	1
6		0920004	(000000-)	Washer	2
7		33283514	(000000-)	Bushing	1
8		2211224	(000000-)	Nut	1
9		0920004	(000000-)	Washer	2
10		0920054	(000000-)	Washer	2
11		0746424	(000000-)	Screw	2
12		38163113	(000000-)	Bracket	1
13		33114412	(000000-)	Washer	1
14		23140045	(000000-)	Screw	1
15		0746254	(000000-)	Screw	1
16		36548423	(000000-)	Lever	1
17		0576002	(000000-)	Nut	1

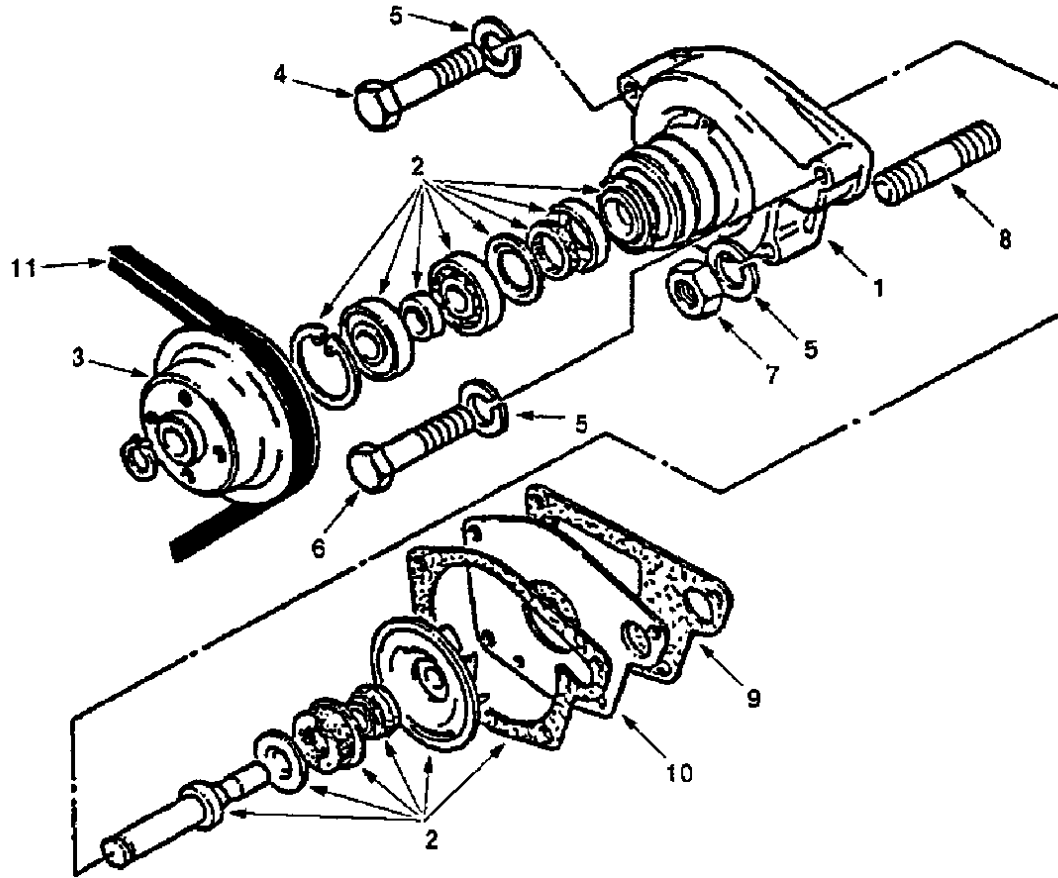


Fig. 13 - Water Pump Group

03579

Key	TENNANT® Part No.	Perkins Part Number	Engine Serial Number	Description	Qty.
1	38591	U5MW0054	(000000-)	Pump, Water	1
2	38280	U7LW0003	(000000-)	Kit, Repair	1
3	38673	31145803	(000000-)	Pulley	1
4		0096236	(000000-)	Screw	2
5		0920053	(000000-)	Washer	3
6		0096234	(000000-)	Screw	1
7		0576002	(000000-)	Nut	1
8		0826209	(000000-)	Stud	1
9		36866713	(000000-)	Joint	1
10		36243515	(000000-)	Plate	1
11	32904	2614A036	(000000-)	V-Belt	1

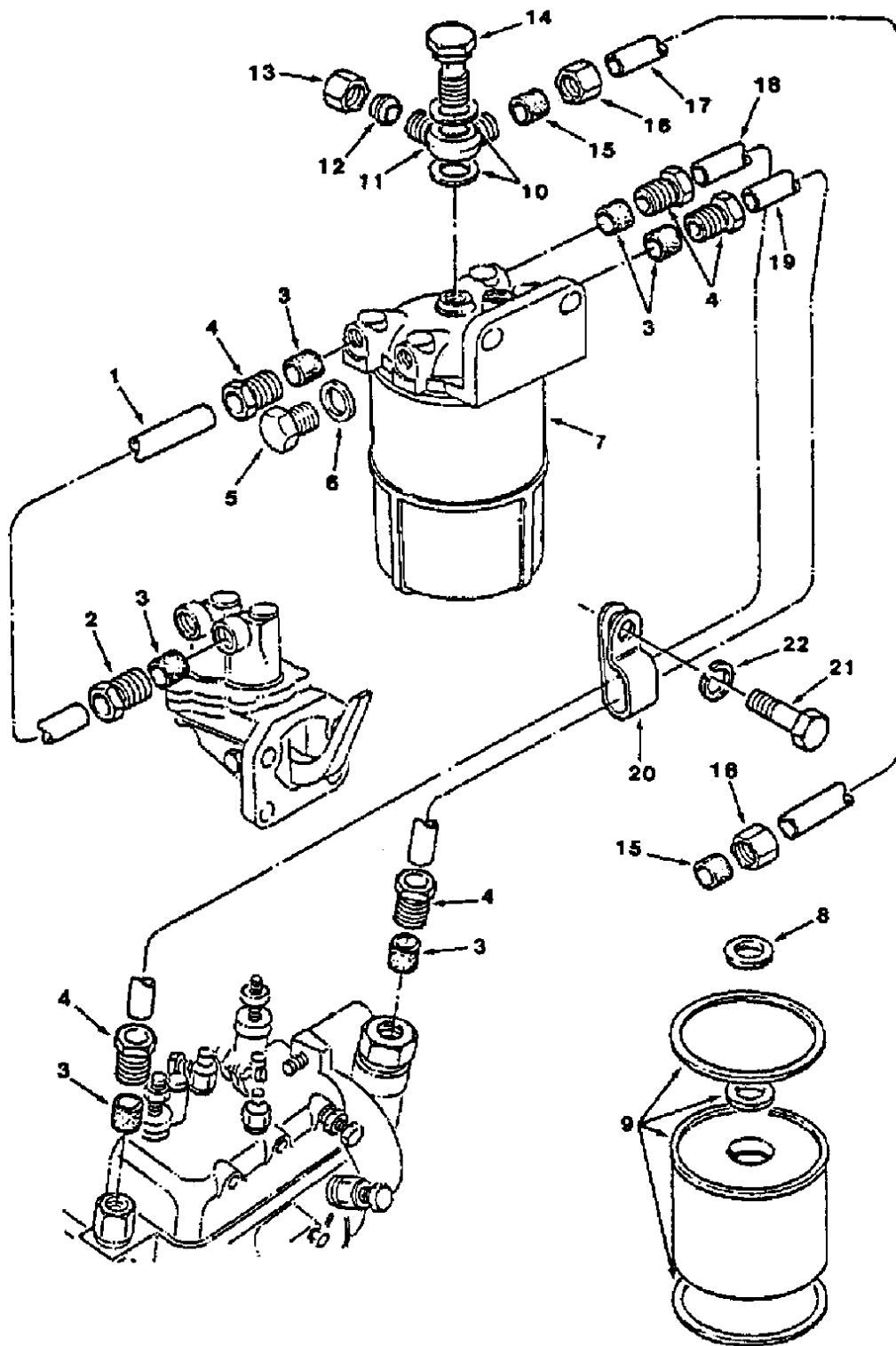


Fig. 14 - Fuel Filter Group

Fig. 14 - Fuel Filter Group

Key	TENNANT® Part No.	Perkins Part Number	Engine Serial Number	Description	Qty.
1		35844057	(000000-)	Pipe	1
2		33532128	(000000-)	Nut	1
3		33811113	(000000-)	Olive	6
4		33532128	(000000-)	Nut	5
5		0650204	(000000-)	Plug	1
6		0920112	(000000-)	Washer	1
7		2656617	(000000-)	Filter, Fuel	1
8		26560016	(000000-)	Washer	1
9	52770-9	26560017	(000000-)	Element, Fuel Filter	1
10		0920146	(000000-)	Washer	2
11		0201397	(000000-)	Connection	1
12		33811115	(000000-)	Olive	1
13		33225413	(000000-)	Nut	1
14		0095344	(000000-)	Bolt	1
15		33811112	(000000-)	Olive	2
16		33225412	(000000-)	Nut	2
17		3425p003	(000000-)	Fuel Line	1
18		35847319	(000000-)	Pipe	1
19		35846224	(000000-)	Pipe	1
20		0181029	(000000-)	Clip	1
21		0746451	(000000-)	Screw	1
22		0920054	(000000-)	Washer	1

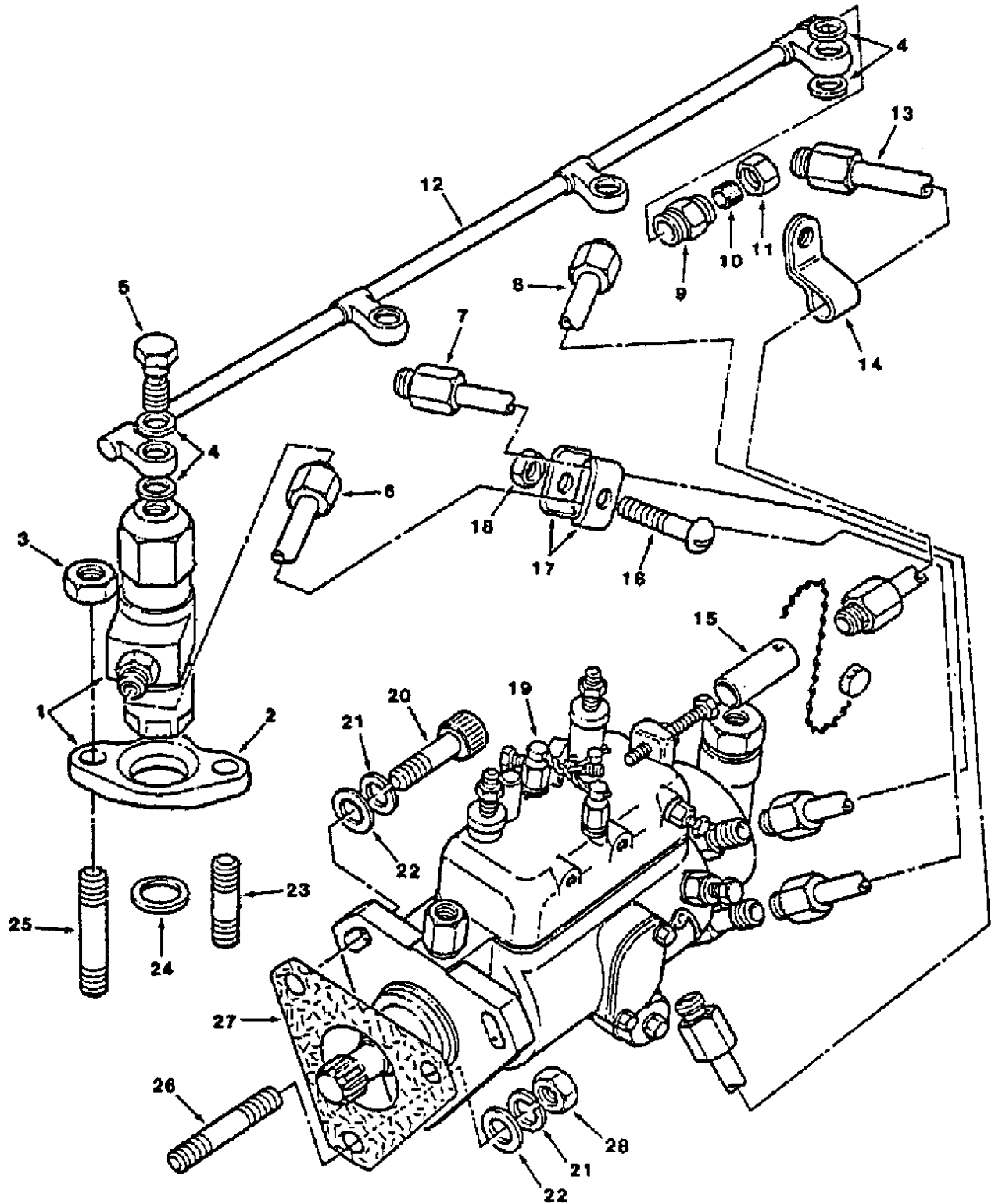


Fig. 15 - Injection Pump Group

Fig. 15 - Injection Pump Group

Key	TENNANT® Part No.	Perkins Part Number	Engine Serial Number	Description	Qty.
1		2645698	(000000-)	Atomiser	4
2		36173452	(000000-)	Flange	1
3		0576002	(000000-)	Nut	8
4		0921176	(000000-)	Washer	8
5		0095315	(000000-)	Bolt	4
6		3522H001	(000000-)	Pipe, Injection	1
7		35343078	(000000-)	Pipe, Injection	1
8		3522H002	(000000-)	Pipe, Injection	1
9		0206102	(000000-)	Union	1
10		33811112	(000000-)	Olive	1
11		33225412	(000000-)	Nut	1
12		3558X009	(000000-)	Fuel Line	1
13		35343079	(000000-)	Pipe, Injection	1
14		36644132	(000000-)	Clip	1
15		2644951	(000000-)	Sleeve	1
16		0726264	(000000-)	Screw	2
17		0180637	(000000-)	Clip	4
18		2211401	(000000-)	Nut	2
19		2643C155	(000000-)	Pump, Injection	1
20		2172692	(000000-)	Screw	1
21		0920053	(000000-)	Washer	3
22		0920003	(000000-)	Washer	3
23		0826232	(000000-)	Stud	4
24		0920113	(000000-)	Washer	4
25		0826274	(000000-)	Stud	4
26		0826244	(000000-)	Stud	2
27		0490685	(000000-)	Joint	1
28		0576002	(000000-)	Nut	2
		7167620D	(000000-)	Solenoid, Stop	1

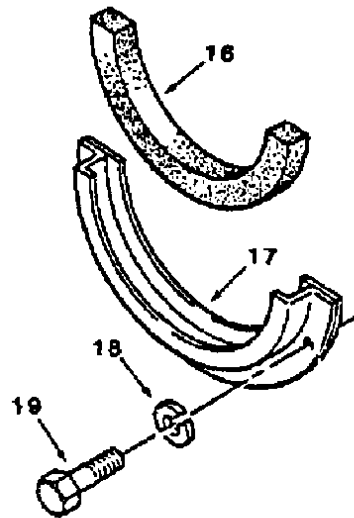
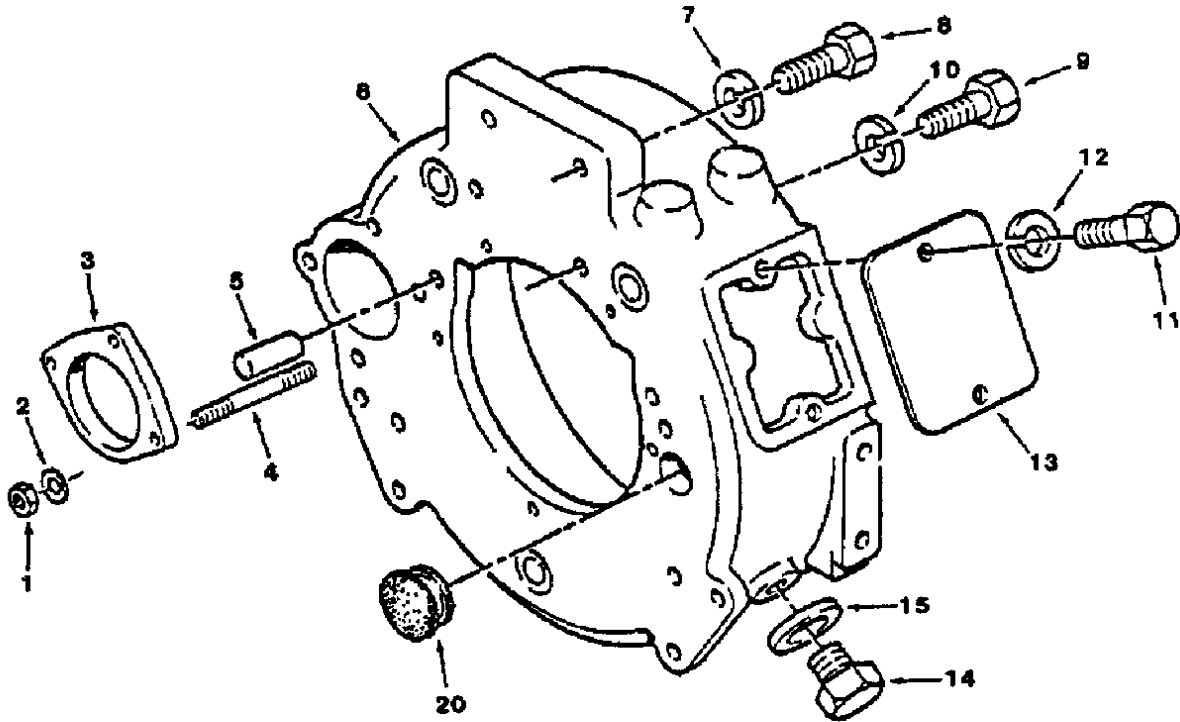


Fig. 16 - Flywheel Housing Group

Fig. 16 - Flywheel Housing Group

Key	TENNANT® Part No.	Perkins Part Number	Engine Serial Number	Description	Qty.
1		0576051	(000000-)	Nut	3
2		0920054	(000000-)	Washer	3
3		37513401	(000000-)	Spacer	1
4		0827802	(000000-)	Stud	3
5		0350017	(000000-)	Dowel	2
6		37138021	(000000-)	Housing	1
7		0920054	(000000-)	Washer	2
8		0096433	(000000-)	Bolt	2
9		0746424	(000000-)	Screw	4
10		0920054	(000000-)	Washer	4
11		0746252	(000000-)	Screw	2
12		0920053	(000000-)	Washer	2
13		0941221	(000000-)	Plate	1
14		0650203	(000000-)	Plug	1
15		2411157	(000000-)	Washer	1
16		0730144	(000000-)	Seal	1
17		0994788	(000000-)	Cover	1
18		0920051	(000000-)	Washer	3
19		0726258	(000000-)	Screw	3
20		0650542	(000000-)	Plug	1
		NA000034	(000000-)	Starter	1

ENGINE PARTS, DIESEL PERKINS

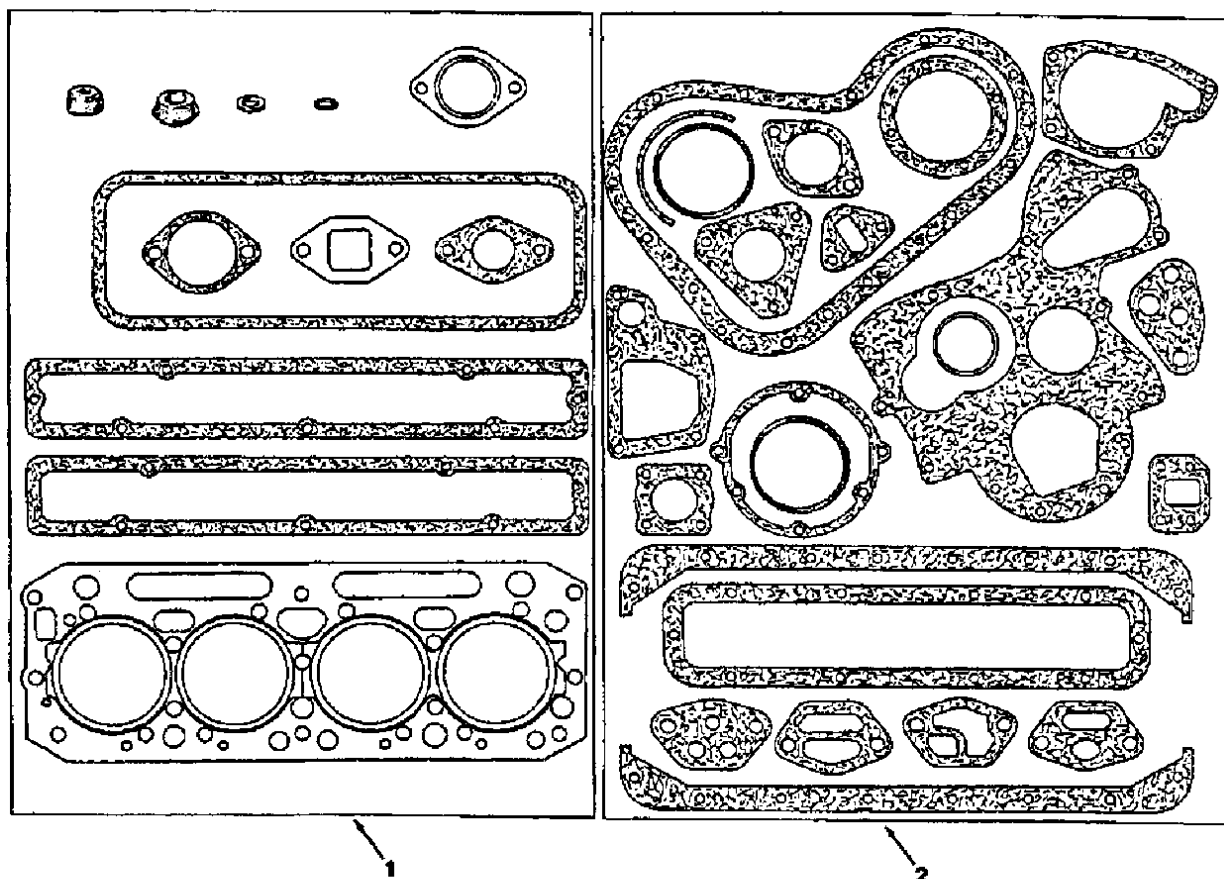


Fig. 17 - Gasket Kits

02950

Key	TENNANT® Part No.	Perkins Part Number	Engine Serial Number	Description	Qty.
1	38338	92425	(000000-)	Gasket Kit, Top	1
2	38339	92453	(000000-)	Gasket Kit, Bottom	1

CONTENTS

	Page
ORDERING REPAIR PARTS	18-3
Fig. 1 - Engine Block Group	18-4
Fig. 2 - Cylinder Head Group	18-6
Fig. 3 - Gear Case Group	18-8
Fig. 4 - Oil Pan Group	18-10
Fig. 5 - Main Bearing Case Group	18-11
Fig. 6 - Inlet Manifold Group	18-12
Fig. 7 - Camshaft Group	18-13
Fig. 8 - Valve Rocker Arm Group	18-14
Fig. 9 - Head Cover Group	18-16
Fig. 10 - Piston Crankshaft Group	18-18
Fig. 11 - Flywheel Group	18-20
Fig. 12 - Fuel Camshaft Group	18-21
Fig. 13 - Nozzle Holder Group	18-22
Fig. 14 - Speed Control Plate Group	18-24
Fig. 15 - Engine Stop Lever Group	18-25
Fig. 16 - Governor Group	18-26
Fig. 17 - Water Pump Group	18-27
Fig. 18 - Injection Pump Group	18-28
Fig. 19 - Water Flange Group	18-29

NOTE: SECTION 18, ENGINE PARTS, DIESEL KUBOTA, lists repair parts for diesel powered engines, TENNANT part number 25070.



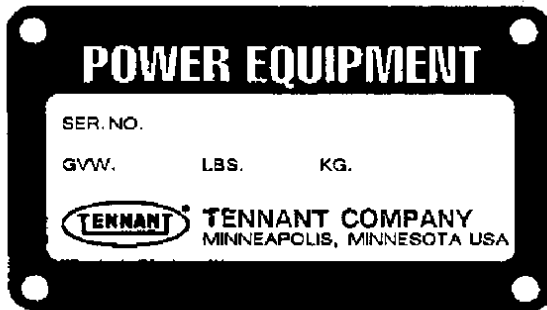
ORDERING REPAIR PARTS

The components used in this machine have been carefully selected for performance and safety. Use only Tennant Company specified or equivalent parts.

To receive prompt service in filling of your parts orders, please direct all orders for parts with Tennant Company part numbers to the Tennant Company, and all orders for parts with vendor part numbers to the local supplier of the respective vendor.

When ordering parts, please furnish all of the following information:

1. Machine model number - shown on the machine data plate.



2. Machine serial number - shown on the machine data plate.
3. Power source - gasoline, LPG, diesel, electric.
4. Company name.
5. Shipping address.
6. Billing address.
7. Name, first and last - of person ordering parts.
8. Telephone number.
9. Purchase order number.
10. Part number, description, and quantity - of each item on the order.
11. Customer ID Number.

Do not order parts by key number or the figure number of the illustrated parts. Indented items indicate parts of assemblies. Standard hardware is furnished only when part of a purchased assembly. Please get hardware from a local hardware supplier.

If the old part cannot be identified, send it to us with the quantity needed specified on the order.

Any claim for loss or damage to a shipment in transit should be filed promptly against the transportation company making the delivery. Shipments will be complete unless the packing list or order acknowledgement indicate items back ordered.

If parts received are suspected to be incorrect or defective, please write, wire, or phone the Tennant Company representative from whom you ordered the part. They will give authorization for return and/or handle replacement shipments when required.

SERIAL NUMBER INFORMATION EXPLANATION

Serial number listings are shown to indicate on which machines each part can be used. These listings are explained by the following examples:

(000000-) The part can be used on all machines.

(003342-) The part can be used on all machines beginning with the serial number listed.

(000000-004320) The part can be used on all machines up to and including serial number listed.

(004321-005678) The part can be used on all machines between and including the serial numbers listed.

Where xxxxxx's are listed in place of a serial number, it indicates a change was made but the exact serial number had not been established when the catalog went to press.

**SI UNITS OF MEASURE
(INTERNATIONAL SYSTEM)**

Metric equivalents have been included, where applicable, throughout this parts catalog.

FASTENER STRENGTH IDENTIFICATION

Fasteners required to have high-strength qualities equivalent to SAE Grade 8 are identified throughout this catalog by the description GR 8. Unless identified by this description, all standard fasteners are SAE Grade 5.

(Specifications and design subject to change without notice.)

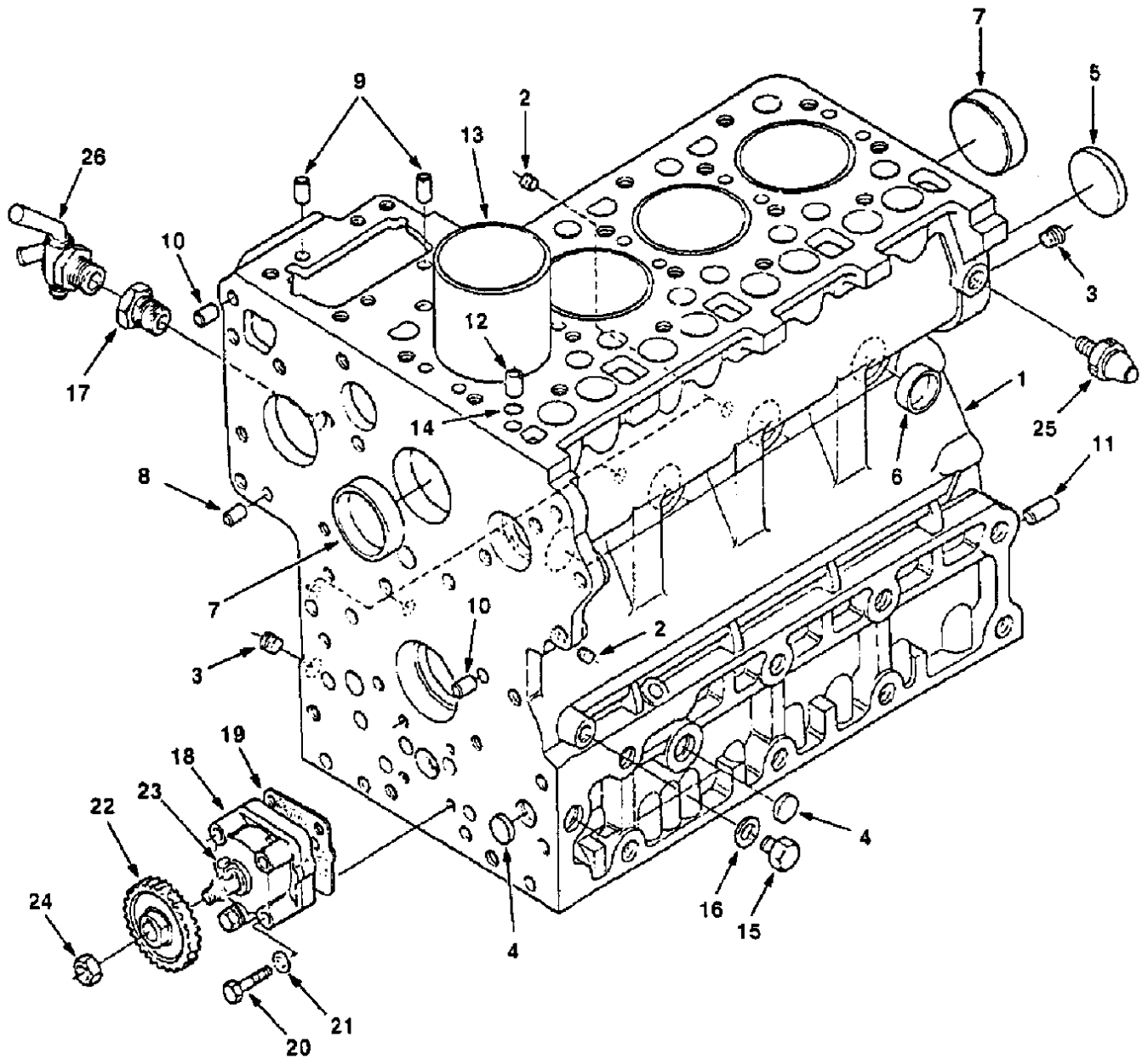


Fig. 1 - Engine Block Group

Fig. 1 - Engine Block Group

Key	TENNANT® Part No.	Kubota Part Number	Engine Serial Number	Description	Qty.
1	41786	15476-0101-0	(000000-)	Crankcase Assembly	1
2	39051	15521-9602-0	(000000-)	Plug	6
3	39052	15521-9603-0	(000000-)	Plug	2
4	30071	06311-75018	(000000-)	Plug	3
5	30070	06311-75045	(000000-)	Plug	1
6	39054	15221-0338-0	(000000-)	Cap, Sealing	6
7	39055	15221-0339-0	(000000-)	Cap, Sealing	2
8	39056	05012-00408	(000000-)	Pin, Straight	2
9	39057	05012-00609	(000000-)	Pin, Straight	2
10	39058	05012-00612	(000000-)	Pin, Straight	2
11	39059	05012-01018	(000000-)	Pin, Straight	1
12	39060	15221-3365-0	(000000-)	Pin, Pipe	1
13	30067	15521-0231-0	(000000-)	Liner, Cylinder	4
14	39063	15221-3370-0	(000000-)	O-ring	1
15	39062	15221-3361-0	(000000-)	Plug	1
16	10895	15021-3366-0	(000000-)	Gasket	1
17	39061	15291-7316-0	(000000-)	Joint	1
18	30068	15471-3501-0	(000000-)	Pump Assembly	1
19	12709	15221-3515-0	(000000-)	Gasket	1
20	41789	01053-50650	(000000-)	Bolt	4
21	39065	04512-50060	(000000-)	Washer, Spring	4
22	39066	19202-3566-0	(000000-)	Gear, Oil Pump	1
23	39067	05712-00410	(000000-)	Key, Feather	1
24	41788	15221-3568-2	(000000-)	Nut	1
25	87940	15841-3901-0	(000000-)	Switch, Oil	1
26	41787	15575-7310-0	(000000-)	Cock, Drain	1

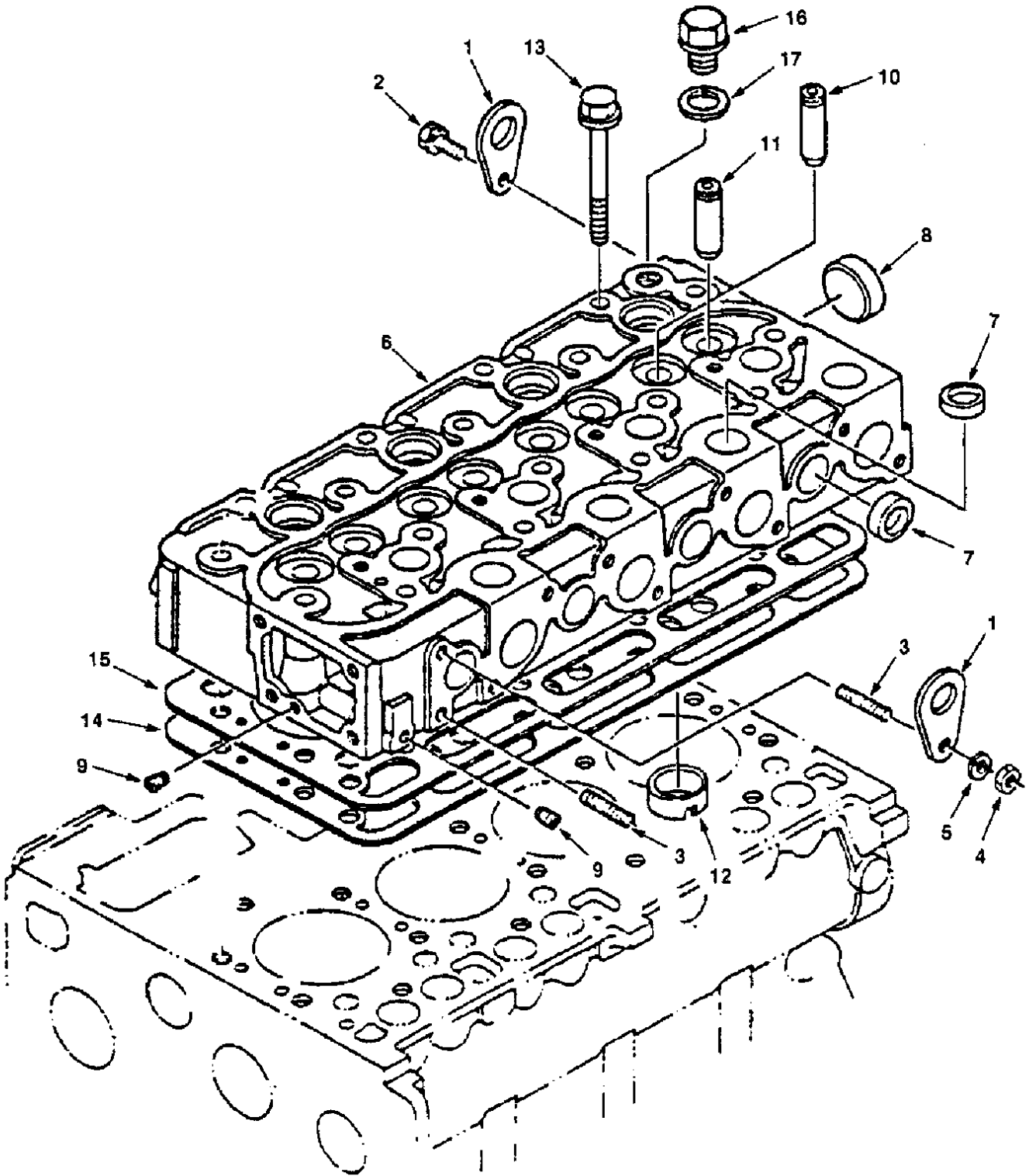


Fig. 2 - Cylinder Head Group

Fig. 2 - Cylinder Head Group

Key	TENNANT® Part No.	Kubota Part Number	Engine Serial Number	Description	Qty.
1	39093	15221-0175-0	(000000-)	Hook, Engine	2
2	39094	01123-50816	(000000-)	Bolt	1
3	41794	15471-9153-0	(000000-)	Stud	2
4	39096	02156-50080	(000000-)	Nut	1
5	39097	04512-50080	(000000-)	Washer, Spring	1
6	41795	15476-0304-3	(000000-)	Head Assembly	1
7	30053	15221-0337-0	(000000-)	Cap, Sealing	12
8	39087	15221-0349-0	(000000-)	Cap, Sealing	1
9	39088	15261-9601-0	(000000-)	Plug	2
10	39089	15221-1358-0	(000000-)	Guide, Valve	4
11	31291	17321-1356-0	(000000-)	Guide, Valve	4
12	31292	15521-0314-0	(000000-)	Combustion Chamber	4
13	39090	19202-0345-0	(000000-)	Bolt, Cylinder Head	18
14	41796	15808-0331-0	(000000-)	Gasket, Cylinder	1
15	41797	15476-0332-0	(000000-)	Shim, Cylinder	1
16	39098	15000-3608-0	(000000-)	Plug	1
17	39099	04717-01600	(000000-)	Washer, Seal	1

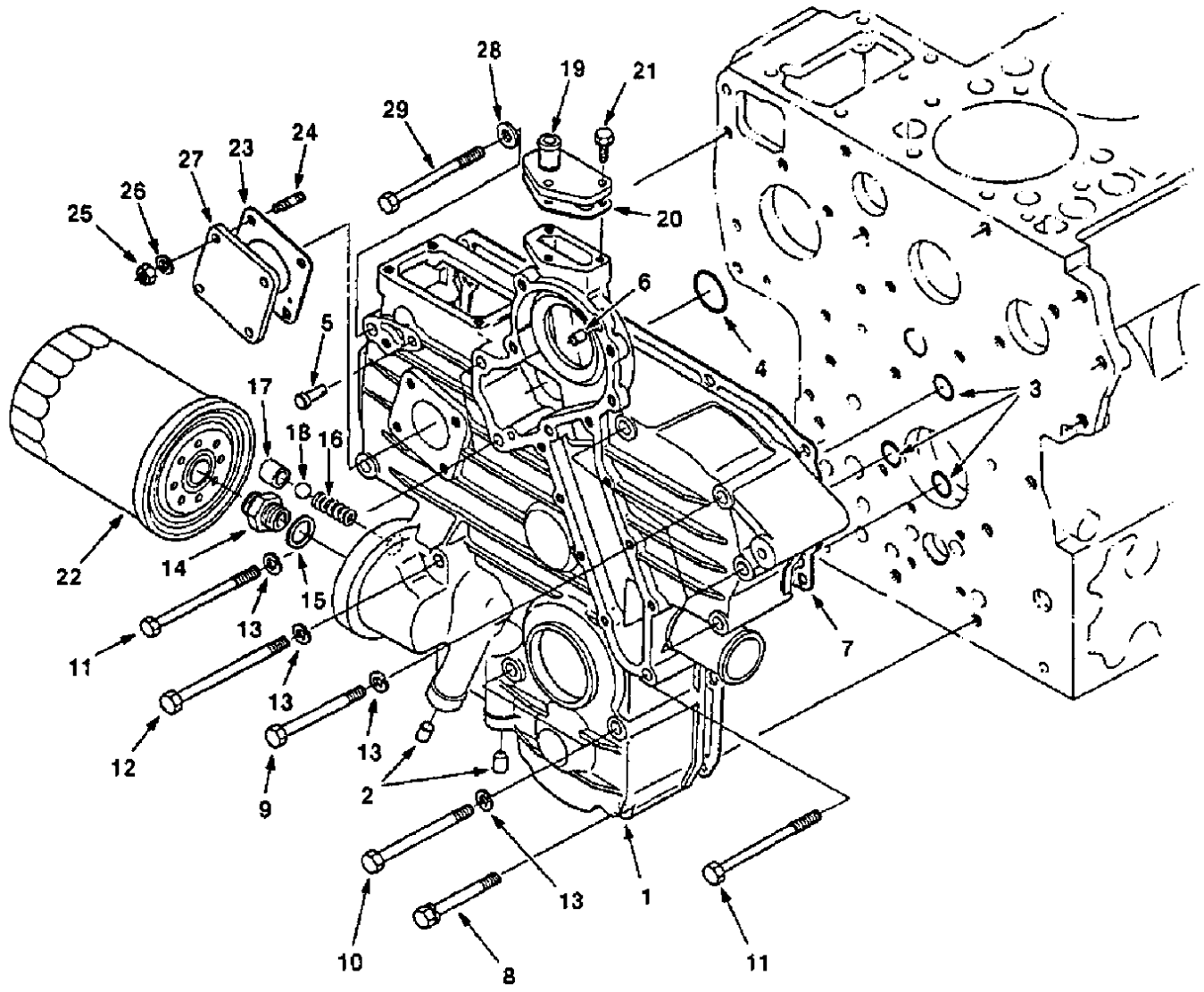


Fig. 3 - Gear Case Group

Fig. 3 - Gear Case Group

Key	TENNANT® Part No.	Kubota Part Number	Engine Serial Number	Description	Qty.
1	31293	15521-0402-2	(000000-)	Gear Case Assembly	1
2	31294	15261-9602-0	(000000-)	Plug, Pin	2
3	39103	04811-00150	(000000-)	O-ring	3
4	39104	04811-00360	(000000-)	O-ring	1
5	39105	15221-5628-0	(000000-)	Pin, Spring	1
6	39058	05012-00612	(000000-)	Pin, Straight	2
7	41798	15521-0413-3	(000000-)	Gasket	1
8	39106	01123-50860	(000000-)	Bolt	2
9	39107	01153-50870	(000000-)	Bolt	5
10	39109	01153-50880	(000000-)	Bolt	2
11	31299	17367-9102-0	(000000-)	Bolt	3
12	39112	01153-50895	(000000-)	Bolt	2
13	39097	04512-50080	(000000-)	Washer, Spring	9
14	39113	15521-3229-0	(000000-)	Joint, Pipe	1
15	39114	04011-50180	(000000-)	Washer, Plain	1
16	39115	15241-3695-0	(000000-)	Spring	1
17	39116	15521-3693-0	(000000-)	Seat, Valve	1
18	39117	07715-03213	(000000-)	Ball	1
19	39118	15521-7332-0	(000000-)	Flange	1
20	10903	15521-7333-0	(000000-)	Gasket	1
21	39119	01023-50620	(000000-)	Bolt	3
22	31328	17321-3243-0	(000000-)	Cartridge, Oil Filter	1
23	12796	15221-8813-0	(000000-)	Gasket	1
24	39120	15221-8821-0	(000000-)	Stud	4
25	39121	02056-50060	(000000-)	Nut	4
26	39065	04512-50060	(000000-)	Washer, Spring	4
27	39122	15223-8334-0	(000000-)	Cover	1
28	39148	04012-50080	(000000-)	Washer, Plain	1
29	31298	17367-9101-0	(000000-)	Bolt	1

ENGINE PARTS, DIESEL KUBOTA

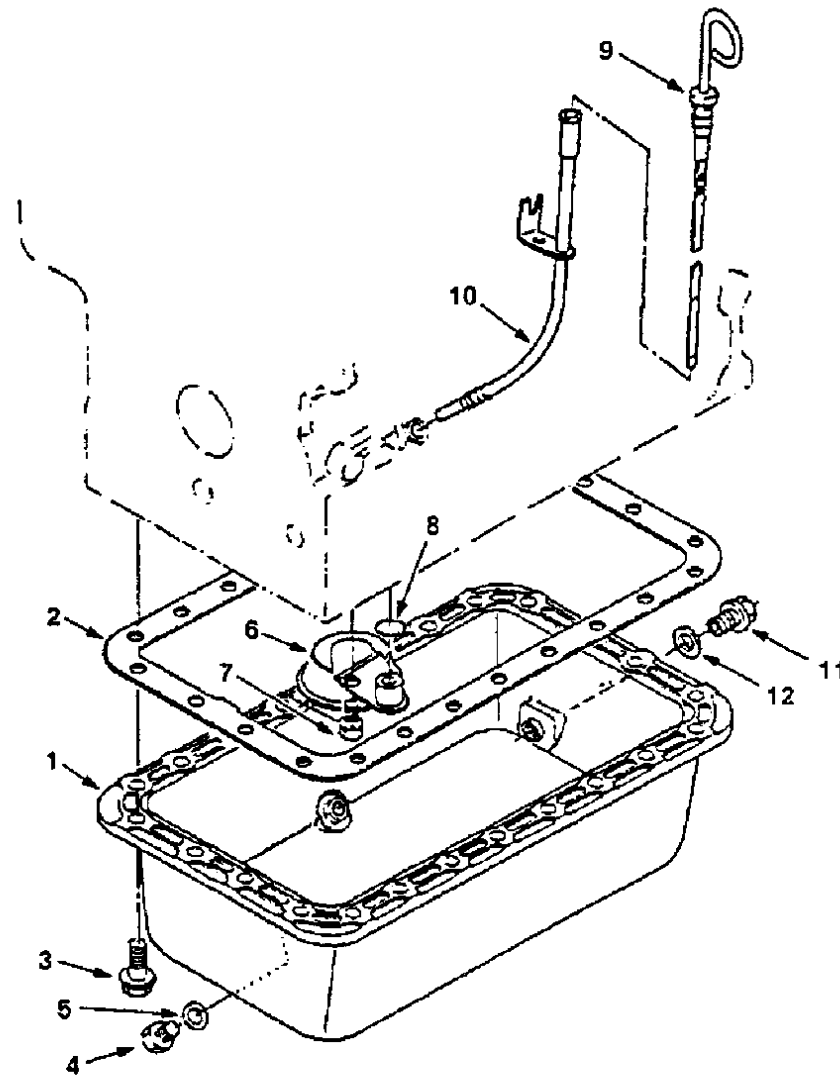


Fig. 4 - Oil Pan Group

05646

Key	TENNANT® Part No.	Kubota Part Number	Engine Serial Number	Description	Qty.
1	41790	15434-0161-0	(000000-)	Oil Pan	1
2	41791	15469-0162-0	(000000-)	Gasket, Pan	1
3	31286	17333-9101-0	(000000-)	Bolt	24
4	30051	15221-3375-0	(000000-)	Plug	1
5	10906	70000-6525-9	(000000-)	Gasket	1
6	31289	15628-3211-0	(000000-)	Filter, Oil	1
7	39094	01123-50816	(000000-)	Bolt	1
8	41792	04811-00160	(000000-)	O-ring	1
9	41793	15471-3641-0	(000000-)	Gauge, Oil	1
10	31290	15471-3642-0	(000000-)	Guide, Oil Gauge	1
11	31287	15951-3375-0	(000000-)	Plug, Drain	1
12	31288	04724-00160	(000000-)	Gasket	1

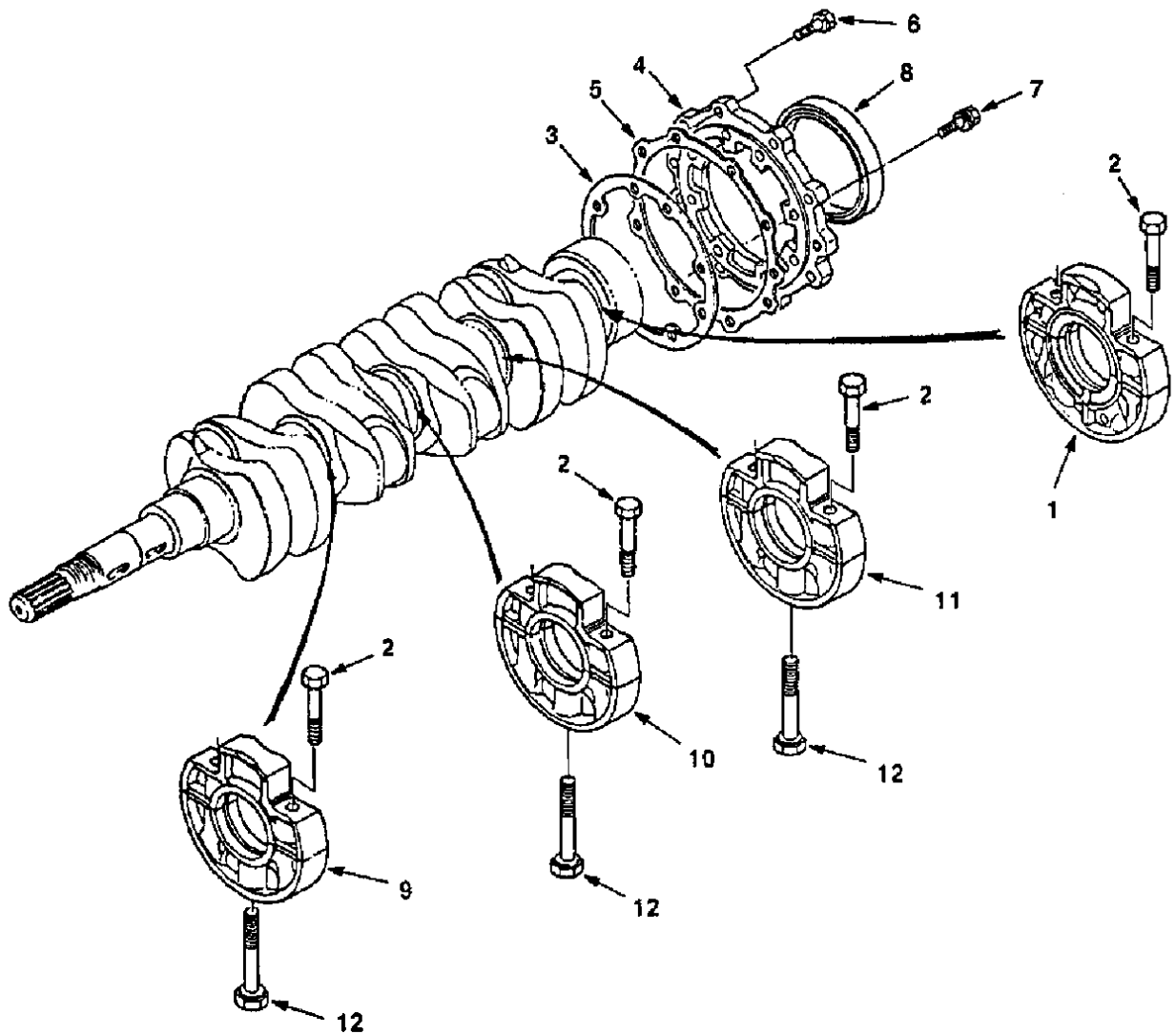


Fig. 5 - Main Bearing Case Group

05849

Key	TENNANT® Part No.	Kubota Part Number	Engine Serial Number	Description	Qty.
1	39123	19202-0404-0	(000000-)	Case Assembly	1
2	31329	15601-0454-0	(000000-)	Bolt	8
3	39126	15221-0436-0	(000000-)	Gasket	1
4	39127	19202-0481-0	(000000-)	Cover, Bearing	1
5	31336	15201-0482-0	(000000-)	Gasket, Cover	1
6	39128	01123-50825	(000000-)	Bolt	8
7	39129	01123-50828	(000000-)	Bolt	8
8	39130	19202-0446-0	(000000-)	Seal, Oil	1
9	31337	15521-0405-5	(000000-)	Case Assembly	1
10	31338	15521-0406-5	(000000-)	Case Assembly	1
11	41799	15411-0407-0	(000000-)	Case Assembly	1
12	31339	15601-0456-0	(000000-)	Bolt	3

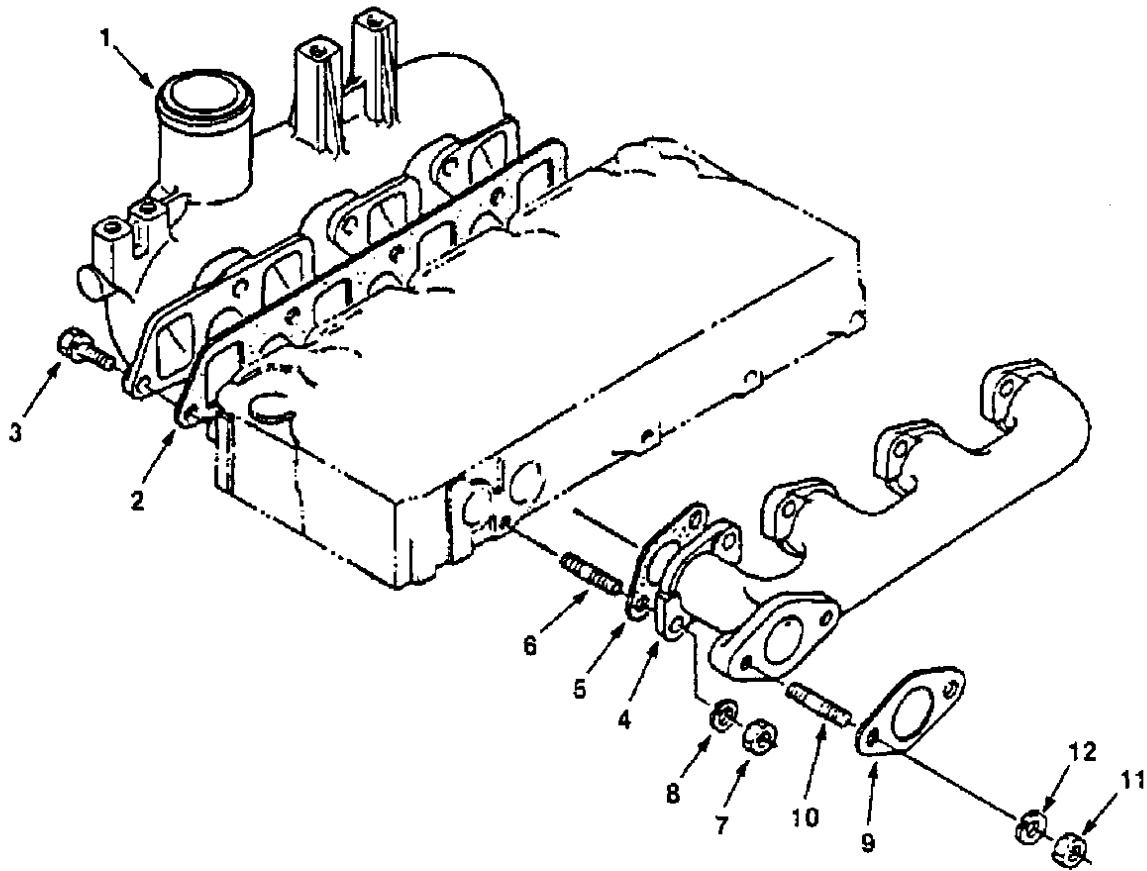


Fig. 6 - Inlet Manifold Group

05650

Key	TENNANT® Part No.	Kubota Part Number	Engine Serial Number	Description	Qty.
1	41800	15475-1176-0	(000000-)	Manifold, Inlet	1
2	41801	15471-1182-3	(000000-)	Gasket	1
3	39138	01123-50822	(000000-)	Bolt	7
4	41802	15401-1231-0	(000000-)	Manifold, Exhaust	1
5	10899	15521-1235-0	(000000-)	Gasket	4
6	39139	15221-9153-0	(000000-)	Stud	8
7	39096	02156-50080	(000000-)	Nut	8
8	39097	04512-50080	(000000-)	Washer, Spring	8
9	41803	15221-1237-0	(000000-)	Gasket, Muffler	1
10	41804	01517-51030	(000000-)	Stud	2
11	39481	02176-50100	(000000-)	Nut	2
12	39399	04512-50100	(000000-)	Washer, Spring	2

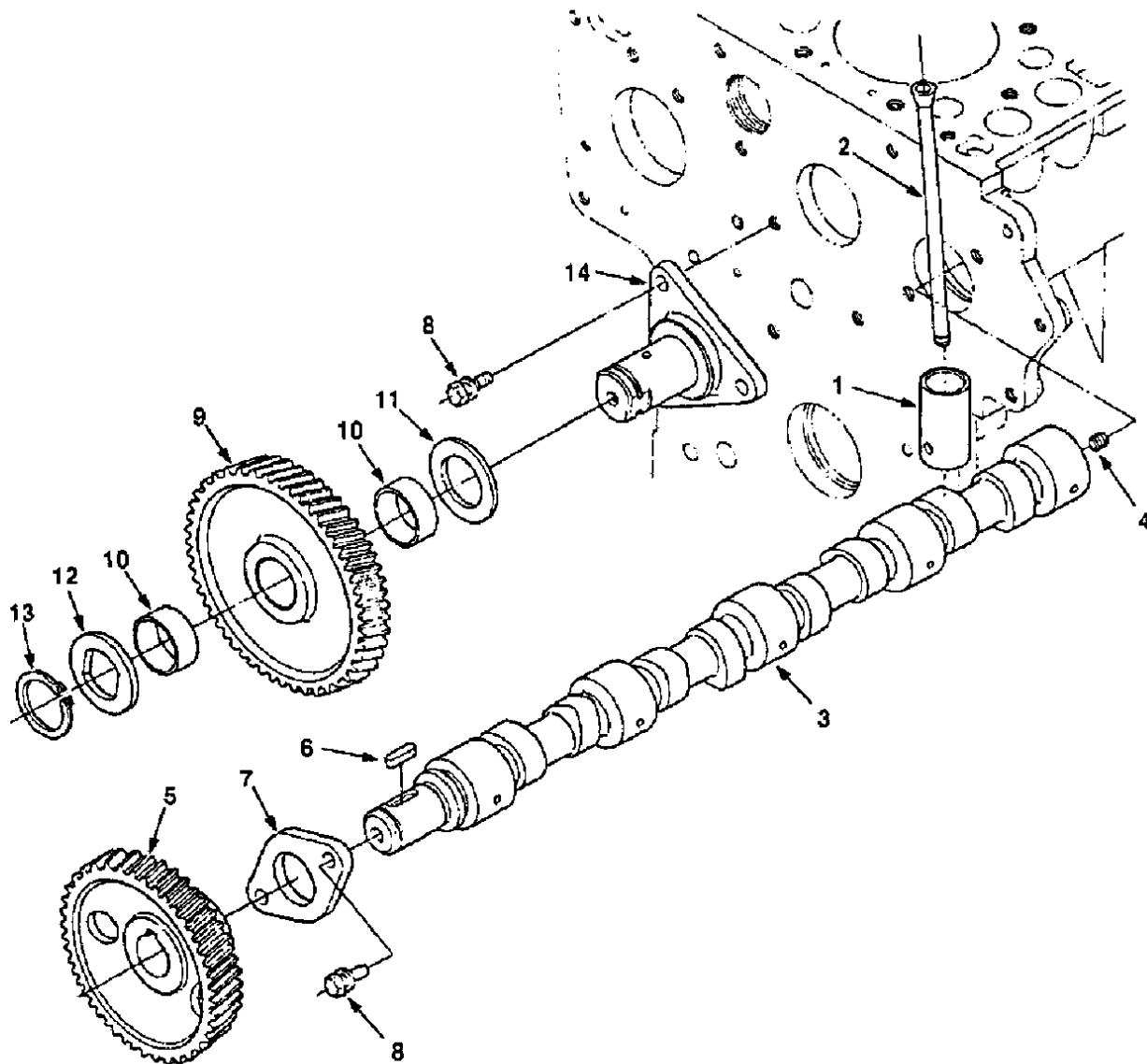


Fig. 7 - Camshaft Group

05653

Key	TENNANT® Part No.	Kubota Part Number	Engine Serial Number	Description	Qty.
1	39193	15221-1555-0	(000000-)	Tappet	8
2	39194	15221-1511-0	(000000-)	Rod, Push	8
	41809	15471-1601-0	(000000-)	Camshaft Assembly	1
3	41810	15471-1615-0	(000000-)	Camshaft	1
4	39197	15521-9361-0	(000000-)	Screw, Set	1
5	39198	15521-1651-0	(000000-)	Gear	1
6	39186	05712-00720	(000000-)	Key, Feather	1
7	39199	15221-1627-0	(000000-)	Stopper	1
8	39200	01123-50818	(000000-)	Bolt	5
9	39201	15221-2401-0	(000000-)	Gear Assembly	1
10	30076	15221-2498-0	(000000-)	Bushing, Idle Gear	2
11	39202	15521-2436-0	(000000-)	Collar	1
12	39203	15521-2437-0	(000000-)	Collar	1
13	39211	15221-2432-0	(000000-)	Cir-clip External	1
14	39212	15221-2425-0	(000000-)	Shaft	1

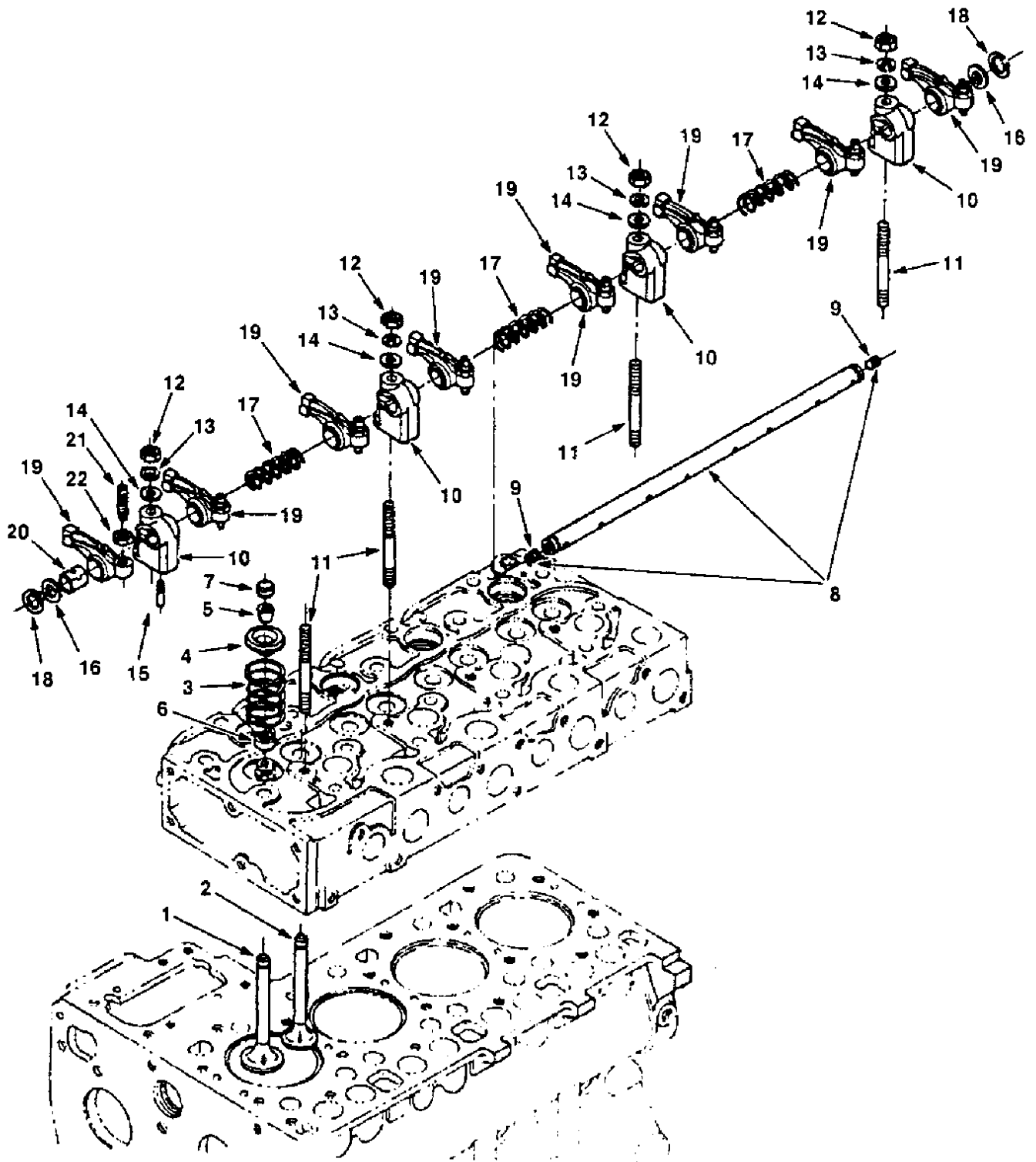


Fig. 8 - Valve Rocker Arm Group

Fig. 8 - Valve Rocker Arm Group

Key	TENNANT® Part No.	Kubota Part Number	Engine Serial Number	Description	Qty.
1	10898	15221-1311-0	(000000-)	Valve, Inlet	4
2	10897	15221-1312-0	(000000-)	Valve, Exhaust	4
3	10896	15221-1324-0	(000000-)	Spring, Valve	8
4	10894	15221-1333-0	(000000-)	Retainer	8
5	39141	15221-1336-0	(000000-)	Collet	16
6	39142	15221-1315-0	(000000-)	Seal, Stem	8
7	39143	15221-1328-0	(000000-)	Cap, Valve	8
8	41805	15401-1405-0	(000000-)	Shaft Assembly	1
9	41808	03410-50808	(000000-)	Screw, Set	2
10	39146	15221-1435-0	(000000-)	Bracket	4
11	39147	15521-9150-0	(000000-)	Stud	4
12	39096	02156-50080	(000000-)	Nut	4
13	39097	04512-50080	(000000-)	Washer, Spring	4
14	39148	04012-50080	(000000-)	Washer, Plain	4
15	39149	15221-1442-0	(000000-)	Screw, Set	1
16	39150	15221-1443-0	(000000-)	Washer	2
17	39151	15221-1431-0	(000000-)	Spring	3
18	39152	04612-00140	(000000-)	Cir-clip	2
19	39153	15601-1403-0	(000000-)	Arm Assembly	8
20	39154	15221-1418-0	(000000-)	Bushing	8
21	39155	15521-1423-0	(000000-)	Screw, Adjusting	8
22	39156	15021-1424-0	(000000-)	Nut	8

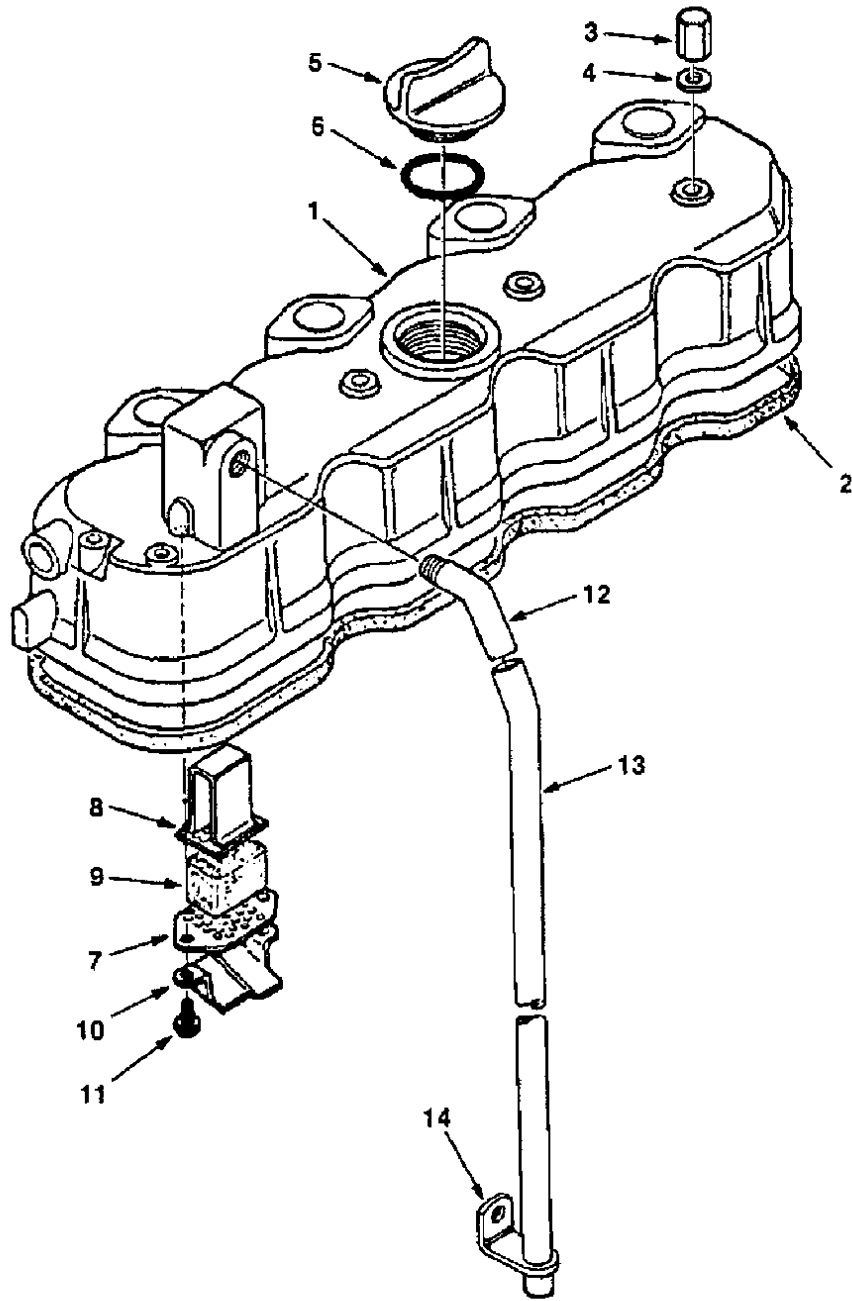


Fig. 9 - Head Cover Group

Fig. 9 - Head Cover Group

Key	TENNANT® Part No.	Kubota Part Number	Engine Serial Number	Description	Qty.
1	41806	15434-1451-0	(000000-) Cover, Cylinder	1
2	41807	15471-1452-0	(000000-) Gasket	1
3	39158	15451-9233-0	(000000-) Nut, Cap	4
4	10895	15021-3366-0	(000000-) Gasket	4
5	39161	15221-3314-0	(000000-) Plug	1
6	39162	04811-50300	(000000-) O-ring	1
7	39170	15521-0514-0	(000000-) Plate	1
8	39171	15521-0515-0	(000000-) Plate	1
9	39172	15521-0567-0	(000000-) Element	1
10	39173	15521-0537-0	(000000-) Shield, Oil	1
11	39174	15521-9331-0	(000000-) Screw	2
12	39175	15521-0555-0	(000000-) Joint	1
13	39176	15521-0551-0	(000000-) Pipe	1
14	39177	15401-0558-0	(000000-) Clamp	1

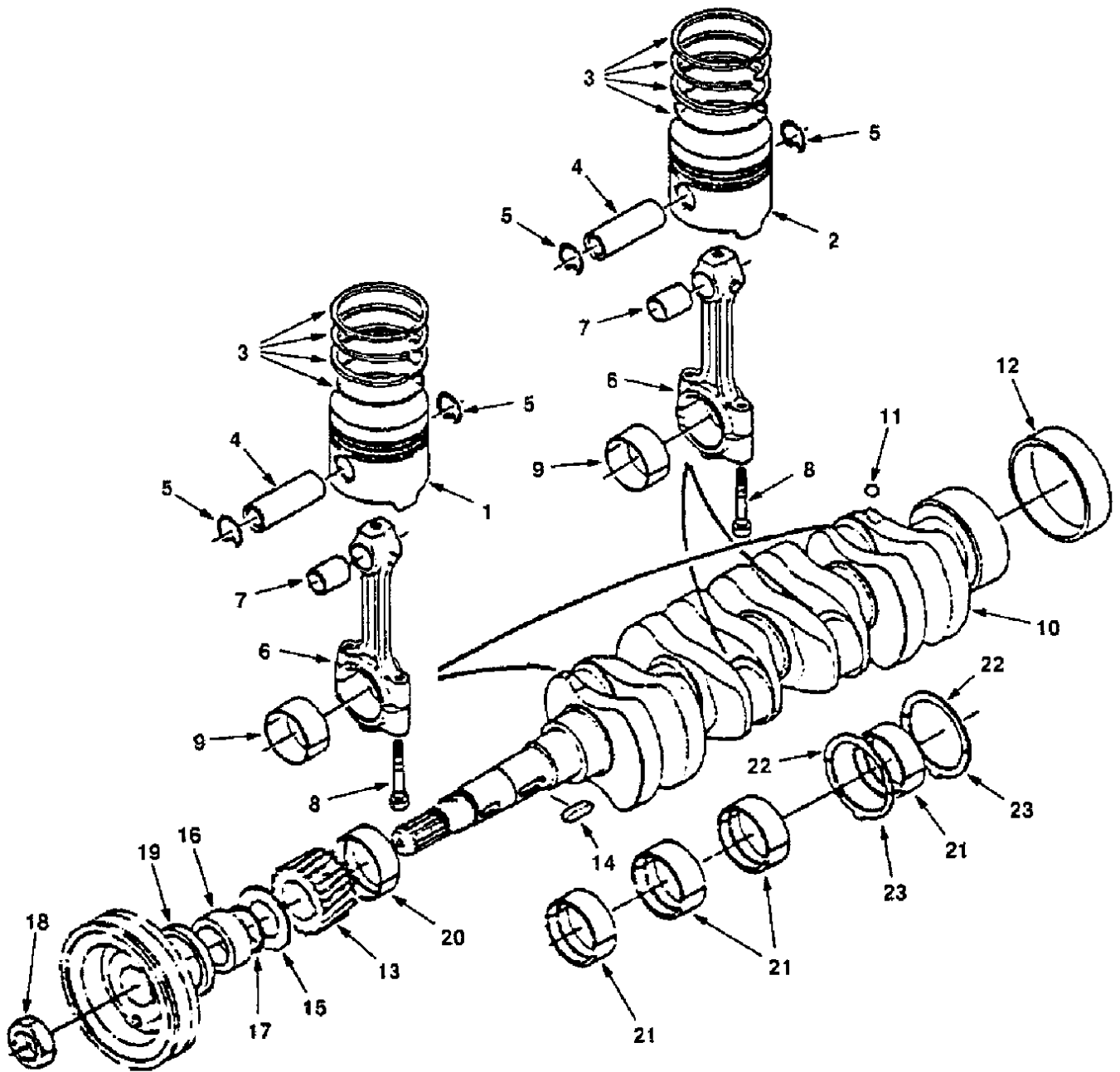


Fig. 10 - Piston Crankshaft Group

Fig. 10 - Piston Crankshaft Group

Key	TENNANT® Part No.	Kubota Part Number	Engine Serial Number	Description	Qty.
1	10838	19274-2111-0	(000000-) Piston, Standard 1 and 4	2
1	30020	19274-2191-0	(000000-) Piston, Standard 1 and 4	2
2	30021	19439-2111-0	(000000-) Piston, Standard 2 and 3	2
2	30091	19439-2191-0	(000000-) Piston, Standard 2 and 3	2
3	30014	19274-2105-0	(000000-) Ring Set, Piston, Standard	4
3	30099	19274-2109-2	(000000-) Ring Set, Piston, Alternate	4
4	30089	15521-2131-0	(000000-) Piston, Pin	4
5	30090	15221-2133-0	(000000-) Cir-clip	8
6	39180	15471-2201-2	(000000-) Rod Assembly	4
7	30088	15221-2198-0	(000000-) Bushing	4
8	39181	15521-2214-0	(000000-) Bolt	8
9	10841	15471-2231-0	(000000-) Rod Bearing, Standard	8
9	30085	15471-2297-0	(000000-) Rod Bearing, -.2mm	8
9	30087	15471-2298-0	(000000-) Rod Bearing, -.4mm	8
10	41811	15478-2301-2	(000000-) Crankshaft Assembly	1
11	30111	07715-03209	(000000-) Ball	4
12	12798	19202-2328-0	(000000-) Sleeve	1
13	41812	15471-2411-0	(000000-) Gear, Crankshaft	1
14	39186	05712-00720	(000000-) Key, Feather	1
15	41813	15471-2331-2	(000000-) Oil Slinger	1
16	12797	19202-2325-0	(000000-) Collar	1
17	39188	04811-10300	(000000-) O-ring	1
18	39189	15221-2336-0	(000000-) Nut, Crankshaft	1
19	30118	19202-0414-0	(000000-) Seal, Oil	1
20	30112	17331-2347-0	(000000-) Bearing, Main, Standard	1
20	30114	17331-2391-0	(000000-) Bearing, Main	1
20	30116	17331-2392-0	(000000-) Bearing, Main	1
21	30113	17331-2348-0	(000000-) Bearing, Main, Standard	8
21	30115	17331-2393-0	(000000-) Bearing, Main	8
21	30117	17331-2394-0	(000000-) Bearing, Main	8
22	10844	15521-2353-0	(000000-) Bearing, Thrust, Standard	2
22	30119	15221-2395-0	(000000-) Bearing, Thrust	2
22	30120	15221-2396-0	(000000-) Bearing, Thrust	2
23	10845	19202-2354-0	(000000-) Bearing, Thrust, Standard	2
23	30121	19202-2397-0	(000000-) Bearing, Thrust	2
23	30122	19202-2398-0	(000000-) Bearing, Thrust	2

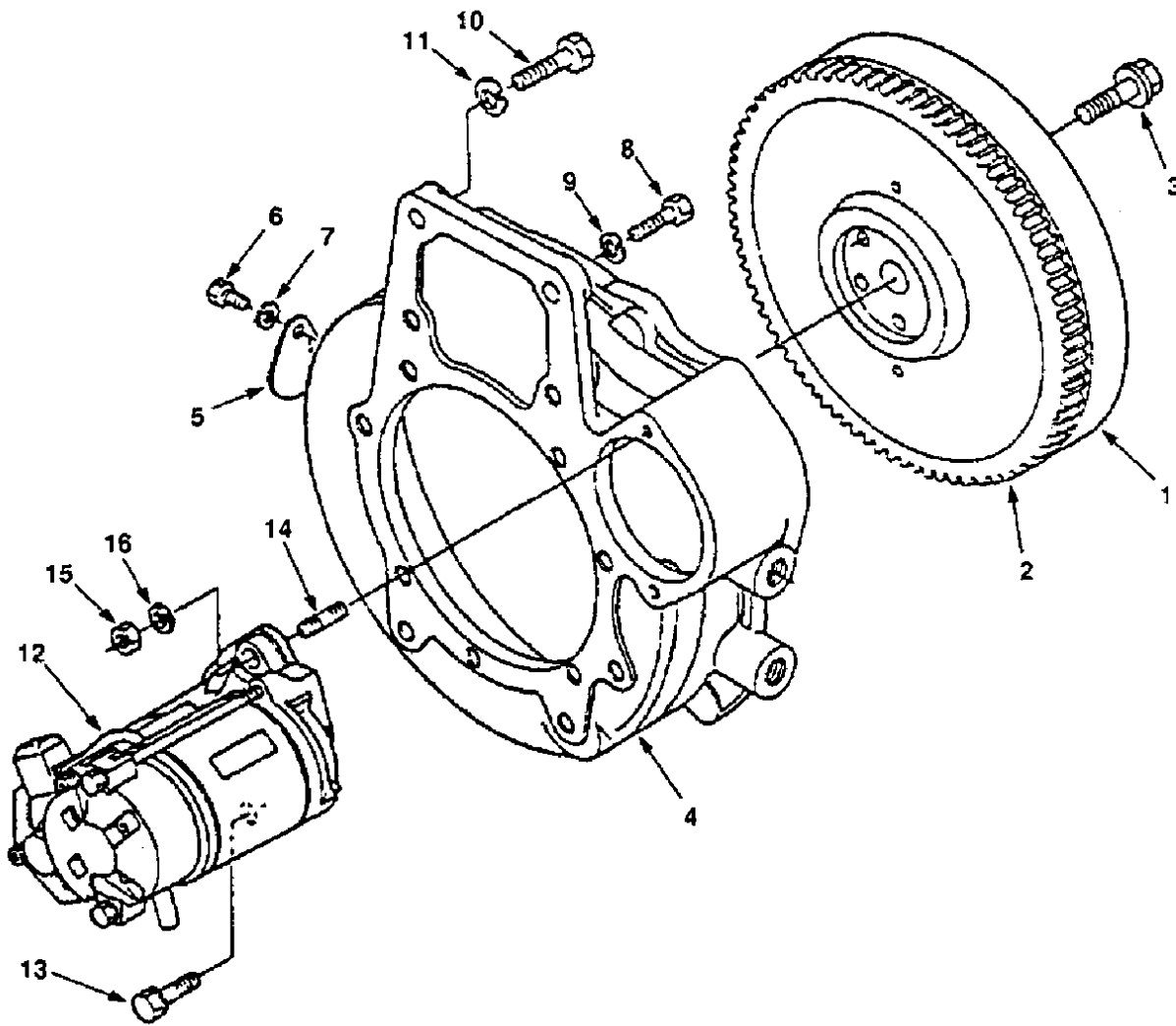


Fig. 11 - Flywheel Group

05655

Key	TENNANT® Part No.	Kubota Part Number	Engine Serial Number	Description	Qty.
1	41814	19629-2501-2	(000000-)	Flywheel	1
2	30105	15221-6382-0	(000000-)	Gear, Ring	1
3	39223	15321-2516-3	(000000-)	Bolt	6
4	30123	15331-0461-0	(000000-)	Housing Assembly	1
5	39387	31220-1417-0	(000000-)	Cover	1
6	39388	01153-50812	(000000-)	Bolt	1
7	39097	04512-50080	(000000-)	Washer, Spring	1
8	39389	01073-51030	(000000-)	Bolt	11
9	39399	04512-50100	(000000-)	Washer, Spring	11
10	39400	01073-51240	(000000-)	Bolt	2
11	39401	04512-50120	(000000-)	Washer, Spring	2
12	38957	15461-63011	(000000-)	Starter Assembly	1
13	39458	01133-51030	(000000-)	Bolt	1
14	39480	01517-51028	(000000-)	Stud	1
15	39481	02176-50100	(000000-)	Nut	1
16	39399	04512-50100	(000000-)	Washer, Spring	1

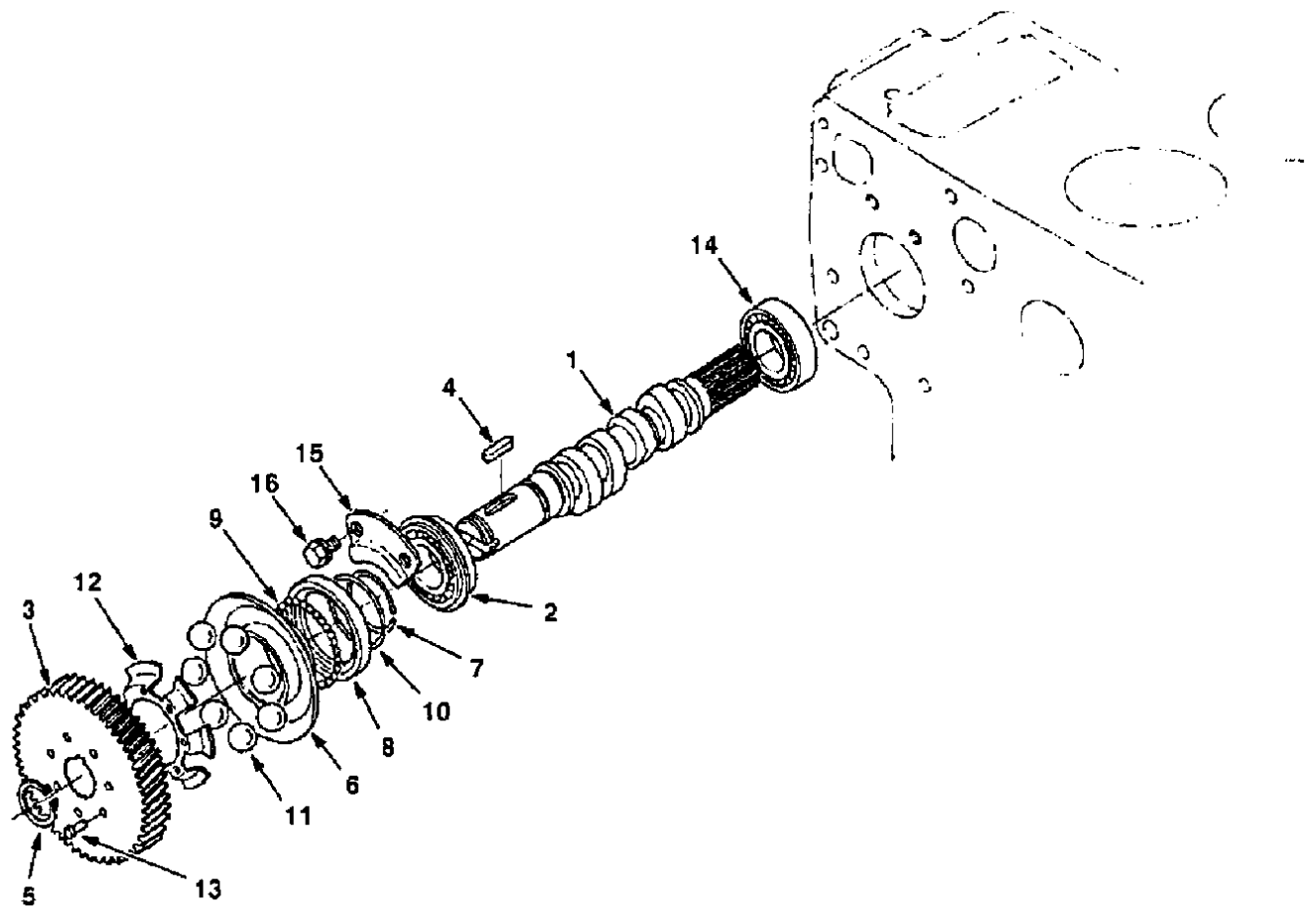


Fig. 12 - Fuel Camshaft Group

05657

Key	TENNANT® Part No.	Kubota Part Number	Engine Serial Number	Description	Qty.
	41886	15471-1602-0	(000000-)	Camshaft Assembly	1
1	41926	15471-1617-0	(000000-)	Camshaft, Fuel	1
2	10846	08153-06205	(000000-)	Bearing, Ball	1
3	39517	15401-5115-0	(000000-)	Gear, Injection Pump	1
4	39518	05712-00525	(000000-)	Key, Feather	1
5	39519	04612-00240	(000000-)	Cir-clip, External	1
6	39520	15221-5545-0	(000000-)	Sleeve	1
7	39521	15221-5547-0	(000000-)	Cir-clip, Sleeve	1
8	39522	15221-5569-0	(000000-)	Case, Ball	1
9	39523	07715-03205	(000000-)	Ball	39
10	39524	15221-5574-0	(000000-)	Cir-clip	1
11	39633	07715-00805	(000000-)	Ball	7
12	39635	15521-5565-0	(000000-)	Guide, Ball	1
13	39645	05611-10310	(000000-)	Rivet	7
14	41951	08240-00001	(000000-)	Bearing, Ball	1
15	39713	15221-1632-0	(000000-)	Stopper, Fuel	1
16	39073	01123-50814	(000000-)	Bolt	2

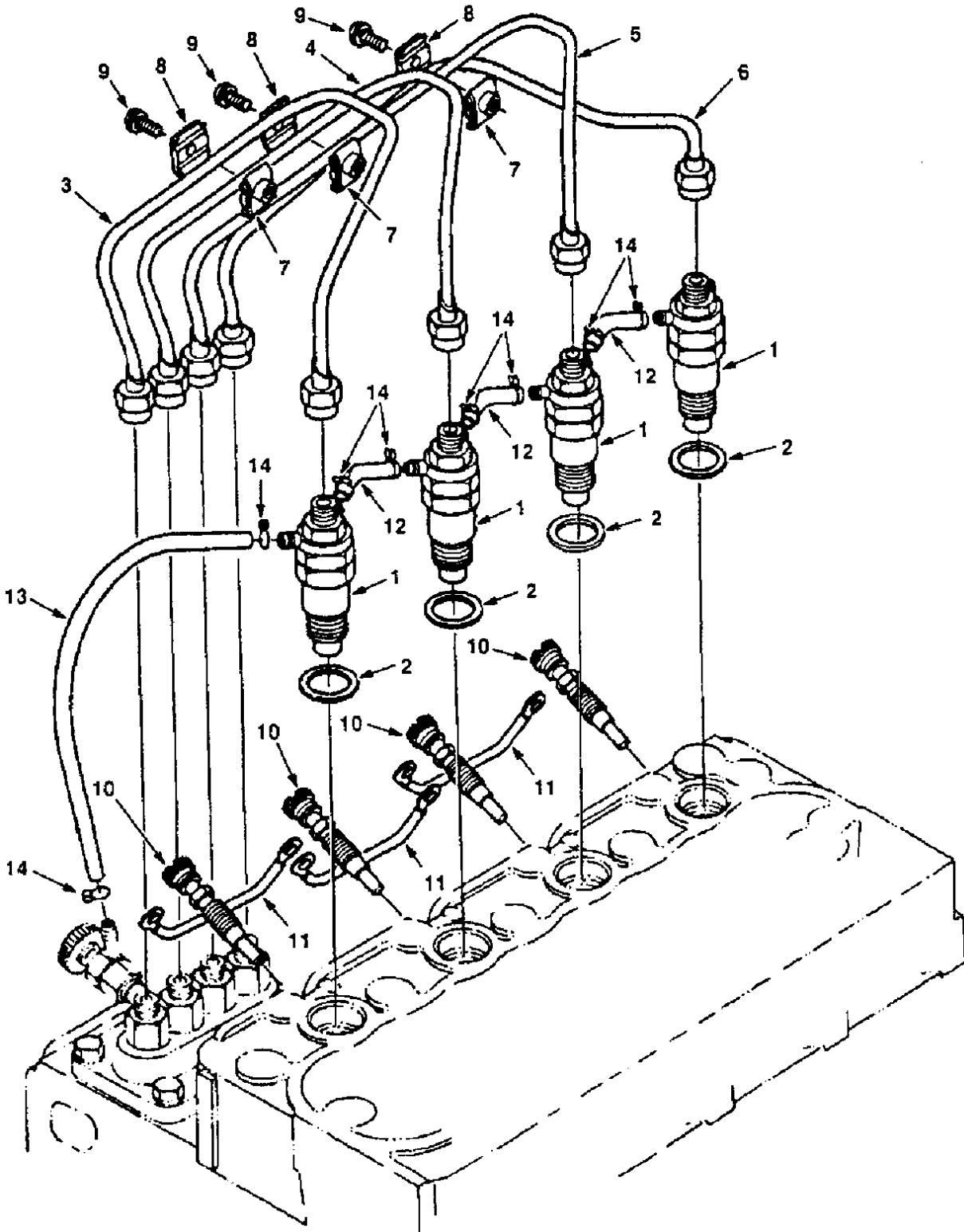


Fig. 13 - Nozzle Holder Group

Fig. 13 - Nozzle Holder Group

Key	TENNANT® Part No.	Kubota Part Number	Engine Serial Number	Description	Qty.
1	39502	15271-5302-0	(000000-)	Nozzle Assembly	4
2	12892	17011-5362-0	(000000-)	Gasket	4
3	30129	15469-5371-0	(000000-)	Pipe, Injection 1	1
4	30130	15469-5372-0	(000000-)	Pipe, Injection 2	1
5	41815	15469-5373-0	(000000-)	Pipe, Injection 3	1
6	41854	15469-5374-0	(000000-)	Pipe, Injection 4	1
7	30131	15841-5385-0	(000000-)	Clamp, Pipe	3
8	30132	15841-5386-0	(000000-)	Clamp, Pipe	3
9	39508	03024-50520	(000000-)	Screw	3
10	30048	15521-6551-0	(000000-)	Plug, Glow	4
11	39509	15401-6556-0	(000000-)	Cord, Glowplug	3
12	30133	09661-40095	(000000-)	Pipe, Fuel	3
13	41857	15471-4252-0	(000000-)	Pipe, Fuel	1
14	30134	10244-4232-0	(000000-)	Clip, Pipe	8

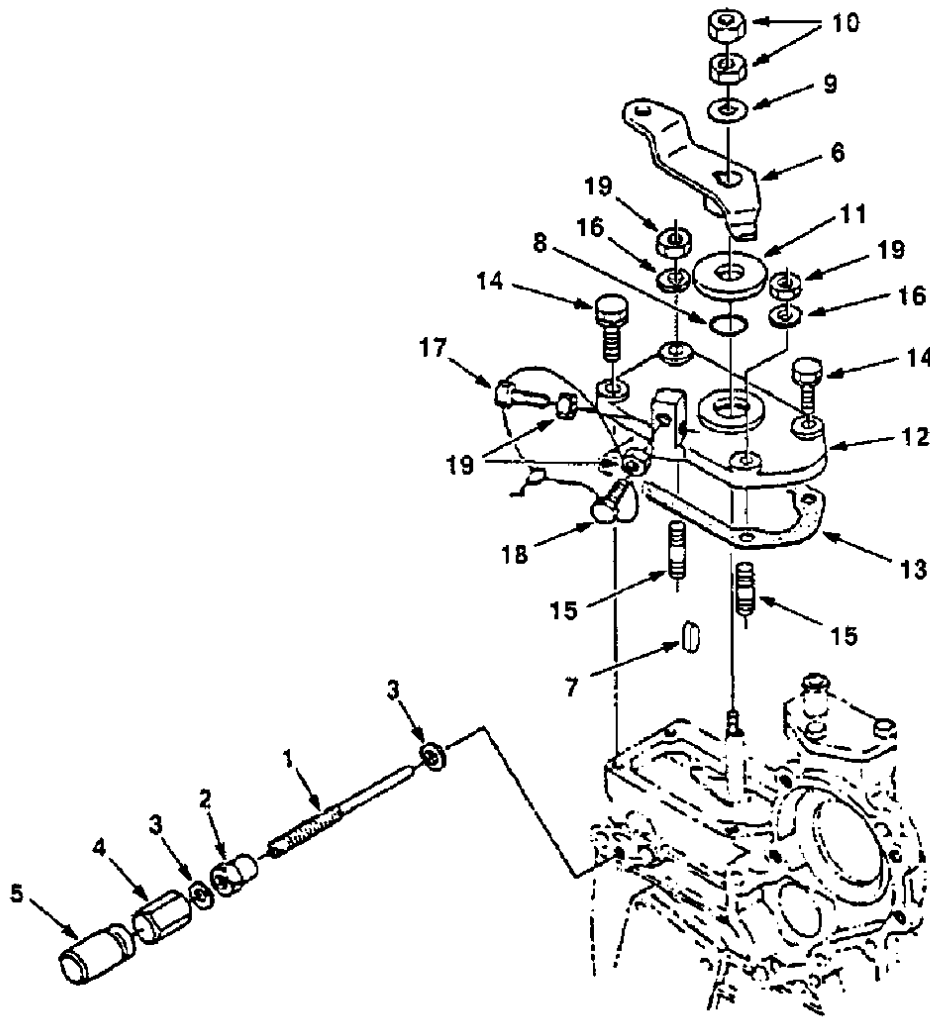


Fig. 14 - Speed Control Plate Group

05659

Key	TENNANT® Part No.	Kubota Part Number	Engine Serial Number	Description	Qty.
1	40159	15601-5412-0	(000000-)	Bolt, Adjusting	1
2	40165	15601-9201-0	(000000-)	Nut	1
3	40166	15601-9665-0	(000000-)	Gasket	2
4	30135	15841-1462-0	(000000-)	Nut, Cap	1
5	30136	16241-5442-0	(000000-)	Cap	1
6	41955	15471-5715-0	(000000-)	Lever, Control	1
7	40203	05712-00408	(000000-)	Key, Feather	1
8	40204	04811-00120	(000000-)	O-ring	1
9	40231	04013-50080	(000000-)	Washer, Plain	1
10	40233	02112-50080	(000000-)	Nut	2
11	41977	17011-5738-4	(000000-)	Collar	1
12	12794	15521-5711-4	(000000-)	Plate, Speed Control	1
13	41978	17331-5721-0	(000000-)	Gasket	1
14	39119	01023-50620	(000000-)	Bolt	2
15	39120	15221-8621-0	(000000-)	Stud	2
16	39065	04512-50060	(000000-)	Washer, Spring	2
17	40290	15108-5728-0	(000000-)	Stopper	1
18	41979	19202-9101-0	(000000-)	Bolt	1
19	39121	02056-50060	(000000-)	Nut	4

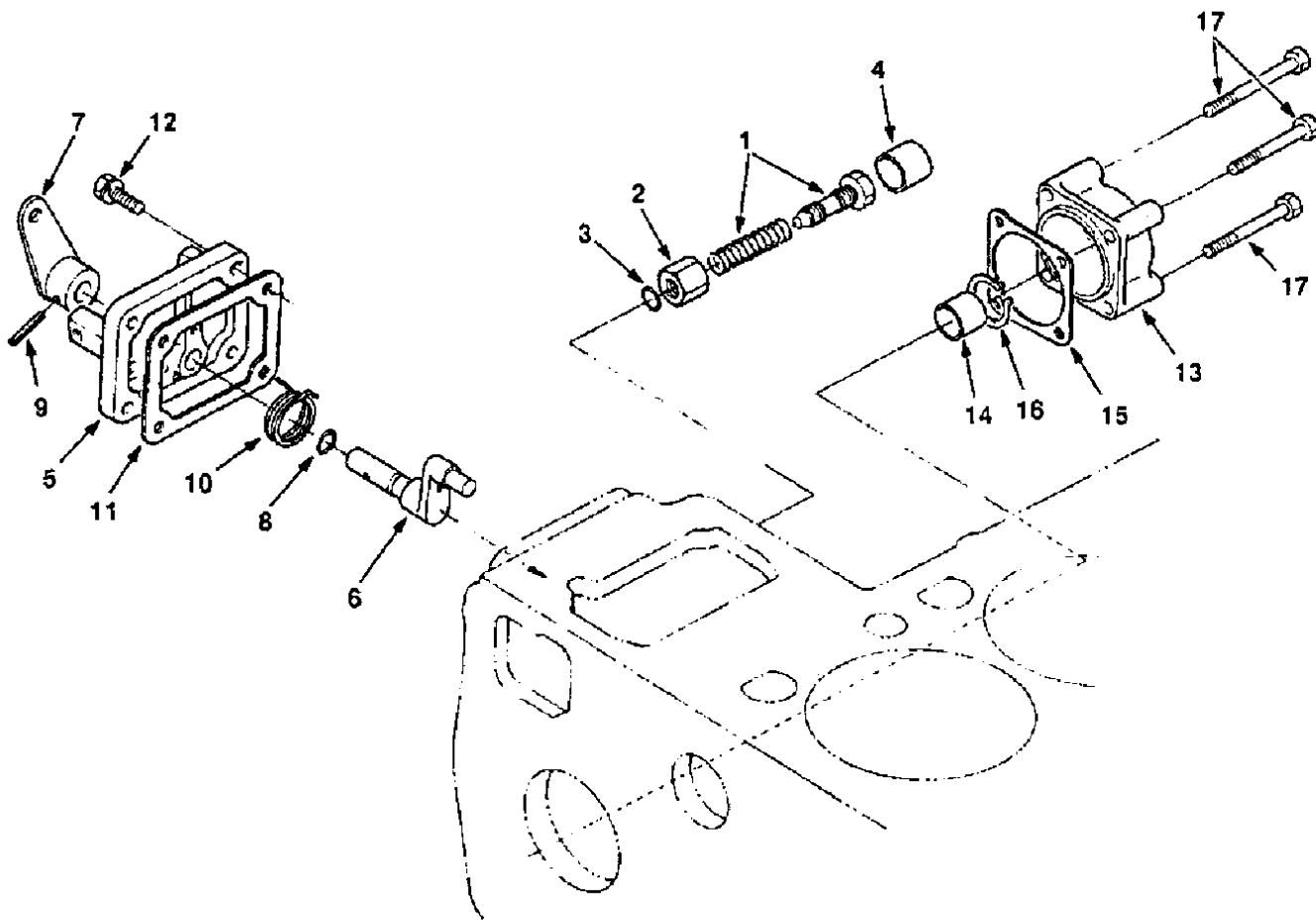
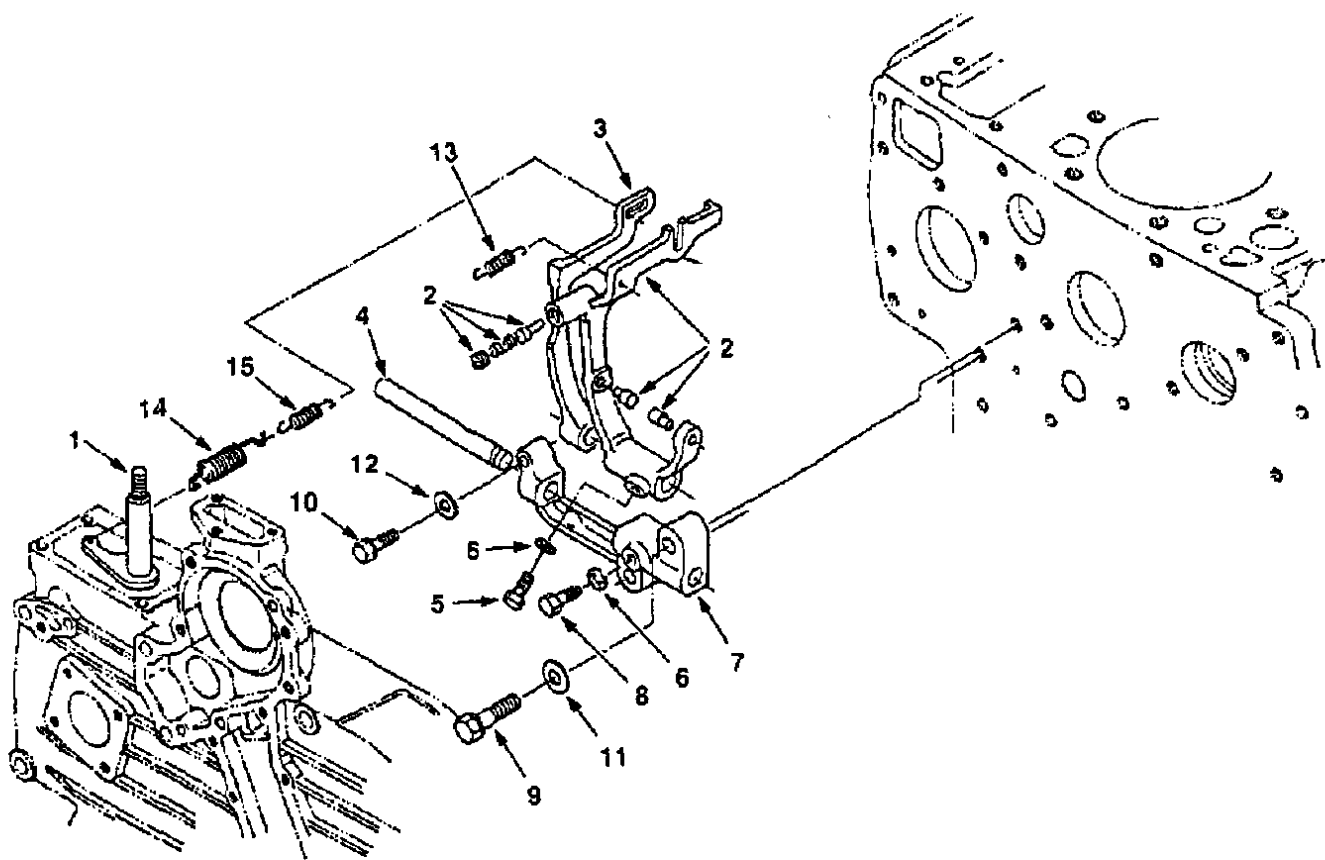


Fig. 15 - Engine Stop Lever Group

05660

Key	TENNANT® Part No.	Kubota Part Number	Engine Serial Number	Description	Qty.
	41956	15471-5409-0	(000000-)	Idle Set Assembly	1
1	41957	15471-5410-0	(000000-)	Adjusting Bolt Assembly	1
2	41960	15471-9201-0	(000000-)	Nut	1
3	41961	04811-00060	(000000-)	O-ring	1
4	40400	15521-5427-0	(000000-)	Cap	1
	40401	15521-5770-3	(000000-)	Engine Stop Lever Assembly	1
5	40402	15521-5165-3	(000000-)	Cover, Injection pump	1
6	40403	15611-5774-0	(000000-)	Shaft, Lever	1
7	40404	15611-5772-0	(000000-)	Lever, Stop	1
8	40405	04811-10070	(000000-)	O-ring	1
9	40407	05411-00420	(000000-)	Pin, Spring	1
10	40408	15611-5751-0	(000000-)	Spring	1
11	10847	15221-5166-0	(000000-)	Gasket, Pump	1
12	40409	01023-50618	(000000-)	Bolt	4
13	41962	15469-8315-0	(000000-)	Cover, Fuel	1
14	41963	19222-1619-0	(000000-)	Collar	1
15	41964	15469-8311-0	(000000-)	Gasket	1
16	41965	15471-9536-0	(000000-)	Cir-clip, External	1
17	41966	01133-51050	(000000-)	Bolt	4



05658

Fig. 16 - Governor Group

Key	TENNANT® Part No.	Kubota Part Number	Engine Serial Number	Description	Qty.
1	40021	15601-5602-0	(000000-)	Governor Lever Assembly	1
	41952	15471-5605-0	(000000-)	Fork Lever Assembly	1
2	41953	15471-5604-0	(000000-)	Lever Assembly, Fork	1
3	41954	15471-5613-0	(000000-)	Lever, Fork	1
4	40032	15221-5615-0	(000000-)	Shaft, Lever	1
5	40033	15021-5624-0	(000000-)	Bolt, Lever	1
6	39065	04512-50060	(000000-)	Washer, Spring	2
7	40040	15221-5623-0	(000000-)	Holder, Lever	1
8	39169	15221-6641-0	(000000-)	Bolt	1
9	40079	01123-50832	(000000-)	Bolt	2
10	40080	01023-50628	(000000-)	Bolt	1
11	39148	04012-50080	(000000-)	Washer, Plain	2
12	40083	04012-50060	(000000-)	Washer, Plain	1
13	40111	15601-5648-0	(000000-)	Spring, Start	1
14	40112	15521-5641-0	(000000-)	Spring, Governor	1
15	40113	15521-5642-0	(000000-)	Spring, Governor	1

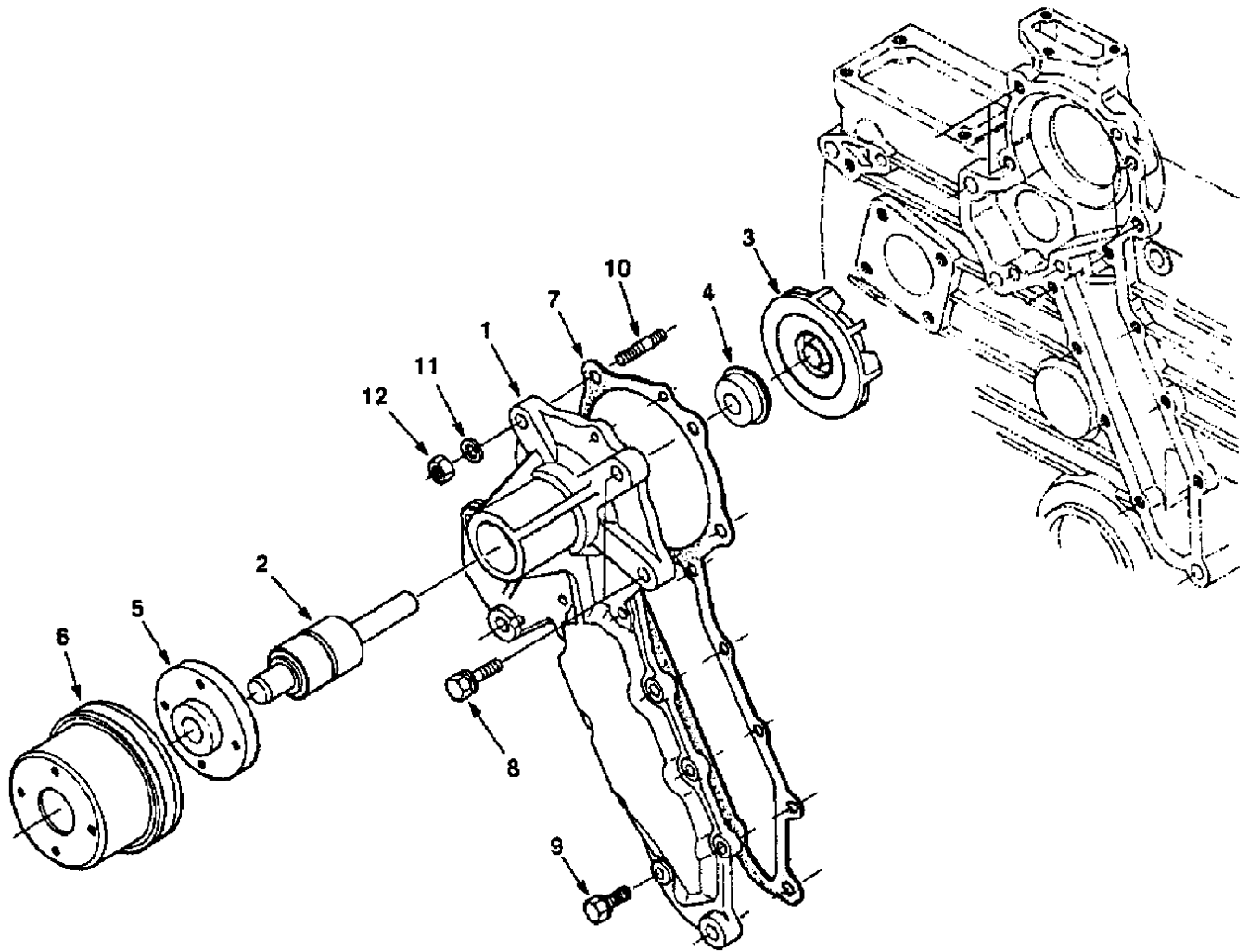


Fig. 17 - Water Pump Group

05661

Key	TENNANT® Part No.	Kubota Part Number	Engine Serial Number	Description	Qty.
1	10853	15521-7303-0	(000000-)	Water Pump Assembly	1
2	10854	15521-7355-0	(000000-)	Bearing	1
3	40420	15521-7351-0	(000000-)	Impeller	1
4	40421	19202-7305-0	(000000-)	Seal Set	1
5	10892	15521-7352-0	(000000-)	Flange	1
6	41967	15471-7425-0	(000000-)	Pulley, Fan	1
7	10893	15521-7343-0	(000000-)	Gasket	1
8	39129	01123-50828	(000000-)	Bolt	2
9	40409	01023-50618	(000000-)	Bolt	8
10	41958	15521-9151-0	(000000-)	Stud	2
11	39097	04512-50080	(000000-)	Washer, Spring	2
12	39096	02156-50080	(000000-)	Nut	2

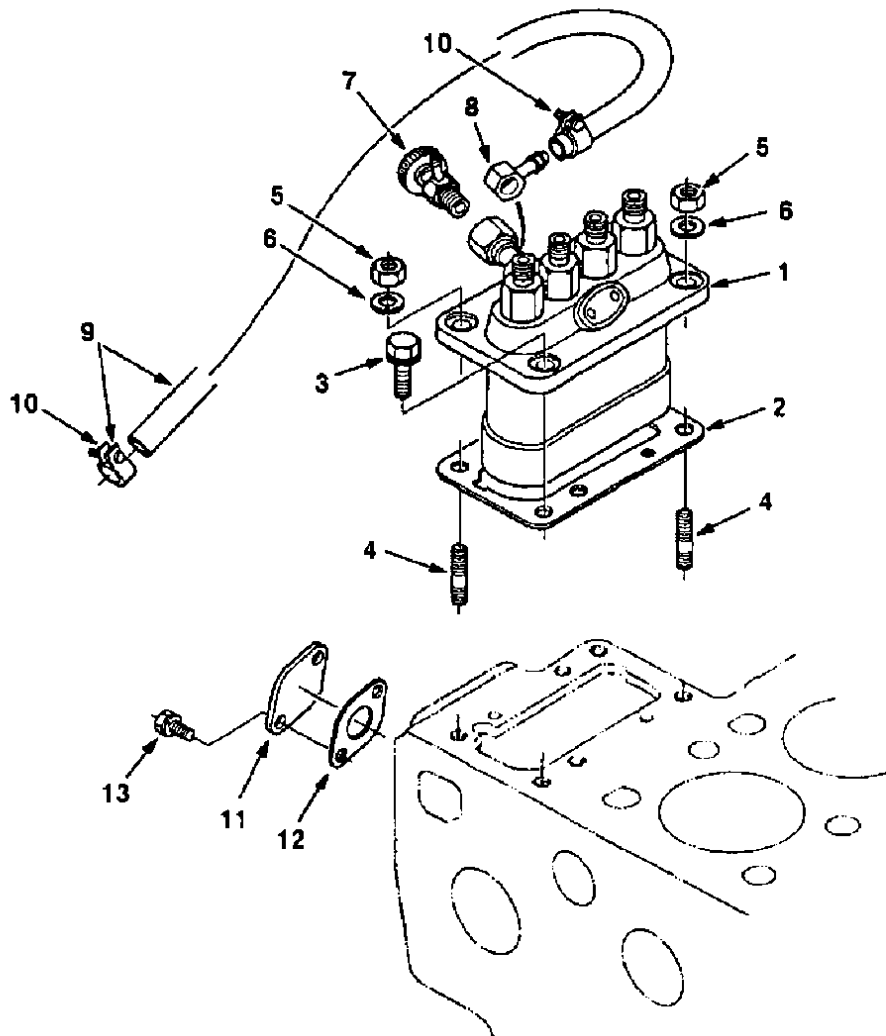


Fig. 18 - Injection Pump Group

05662

Key	TENNANT® Part No.	Kubota Part Number	Engine Serial Number	Description	Qty.
1	41968	15461-5101-0	(000000-)	Injection Pump Assembly	1
2	41969	15401-5211-0	(000000-)	Shim, Injection	3
2	41970	15471-5211-0	(000000-)	Shim, Injection	1
3	39138	01123-50822	(000000-)	Bolt	4
4	39139	15221-9153-0	(000000-)	Stud	2
5	39096	02156-50080	(000000-)	Nut	2
6	39097	04512-50080	(000000-)	Washer, Spring	2
7	39513	14311-6050-4	(000000-)	Cock Assembly	1
8	41974	15401-9569-0	(000000-)	Joint, Eye	1
9	41975	14681-4201-0	(000000-)	Pipe Assembly	1
10	41976	14301-4275-0	(000000-)	Clip, Pipe	2
11	41971	15426-5285-0	(000000-)	Cover	1
12	41972	15241-5214-0	(000000-)	Gasket, Pump	1
13	41973	01023-50616	(000000-)	Bolt	2

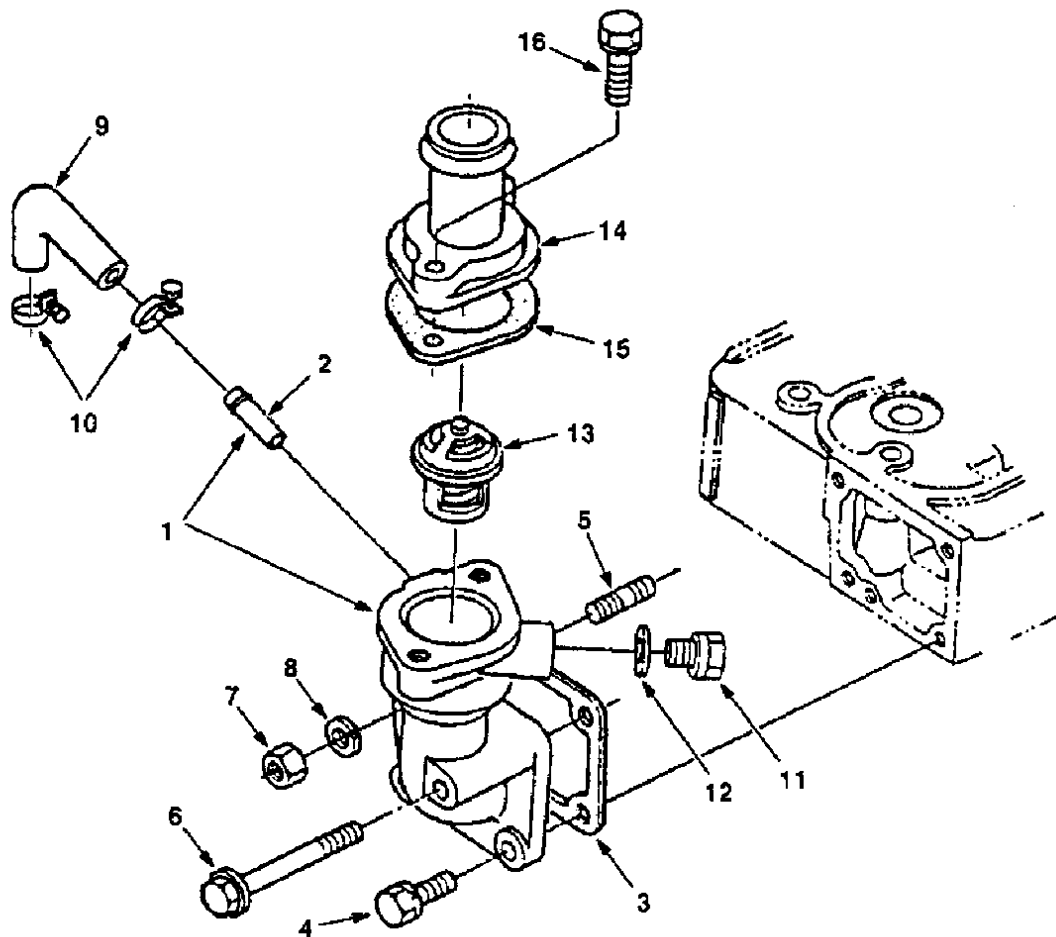


Fig. 19 - Water Flange Group

05863

Key	TENNANT® Part No.	Kubota Part Number	Engine Serial Number	Description	Qty.
1	30124	19202-7270-0	(000000-)	Flange, Water	1
2	30125	17331-7334-0	(000000-)	Pipe, Water	1
3	10850	15521-7292-0	(000000-)	Gasket	1
4	39138	01123-50822	(000000-)	Bolt	2
5	39512	01513-50822	(000000-)	Stud	1
6	41959	01123-50865	(000000-)	Bolt	1
7	39096	02156-50080	(000000-)	Nut	1
8	39097	04512-50080	(000000-)	Washer, Spring	2
9	12795	15521-7334-0	(000000-)	Pipe, Water	1
10	40416	15109-7336-0	(000000-)	Band, Pipe	2
11	30126	15512-9601-0	(000000-)	Plug	1
12	30127	04717-02150	(000000-)	Washer with Rubber	1
13	10852	15321-7301-0	(000000-)	Thermostat	1
14	10849	15321-7326-0	(000000-)	Cover, Thermostat	1
15	10851	15321-7327-0	(000000-)	Gasket, Thermostat	1
16	40418	01123-50835	(000000-)	Bolt	2

SECTION 19

CONTENTS

	Page
PART NUMBER TO PAGE NUMBER CROSS REFERENCE LIST	19-1

PART NUMBER TO PAGE NUMBER CROSS REFERENCE LIST

Part Number	Page Number	Part Number	Page Number
CA10F00360	15-17	TM27A0610	16-6
CVT03234	15-6, 16-6	TM27A600610R	15-4
D600S00207	15-12	TM27A600810S	15-4
F140B00320	15-13, 16-15	TM27A615605R	15-4
F244C00317	15-13, 16-15	TM27A615802S	15-4
F400B00282	15-4, 16-4	TM27B00300	15-12, 16-14
F400I00246	15-8, 16-12	TM27B00400	15-4
F400I00251	15-6, 16-6	TM27B00401	15-4
F401F00274	15-17	TM27B00500	15-4
F401M00219	15-18	TM27B05070	15-4, 16-4
F401M00221	15-18	TM27B05071	15-4, 16-4
F401M00343	15-18	TM27B06005	15-12
F401M00348	15-13	TM27C00401	15-9, 16-10
F401S00230	15-17	TM27C00408	15-9, 16-10
F401S00231	15-17	TM27C00501	15-9, 16-10
F600B00234	15-18, 16-8	TM27E00300	15-14, 16-16
F600B00242	15-4, 16-4	TM27E00400	15-14, 16-16
F600L03750	15-20, 16-20	TM27E00601	15-14
F601C04350	15-13, 16-15	TM27F00221	16-8
F601F00304	15-18	TM27F00304	15-17
F601K00303	15-16, 16-18	TM27F00421	15-17
FW00312080	15-18	TM27F00425	15-18
FW00312120	15-18	TM27F00507	15-14
FW00313080	15-18	TM27F02000	15-17
G157G00201	15-10	TM27F05130	15-18
K800A00203	15-10, 16-11	TM27F05140	15-18
LAV1-14IM	15-17	TM27F05180	15-17
LW00203042	16-8	TM27F05190	15-18
M330F00253	15-17	TM27F05200	15-18
NA000034	17-28	TM27G00301	15-10, 16-11
SK1288	14-16	TM27H00400	15-9, 16-10
SK1444	5-4, 6-4	TM27H00407	15-9, 16-10
SK1511	5-22, 11-8	TM27H00500	15-8
SK1547	14-9	TM27H00505	15-8
SK1614	14-9	TM27I00202	15-8
SK1700	14-5	TM27I00300	15-6, 16-6
SK1741	14-16	TM27I00303	15-8, 16-12
SK2009	14-12	TM27I00305	15-8, 16-12
SK2136	5-28	TM27I00306	16-12
SK2137	5-28	TM27I00308	15-6
SK2561	14-12	TM27I00309	15-6, 16-6
SK2586	14-4	TM27I00311	15-6
SK2714	13-5	TM27I00313	15-8, 16-12
SK2714	13-8	TM27I00314	15-8, 16-12
SK2786	11-7	TM27I00316	15-6
SP200S00006RNY	15-18	TM27I00403	15-8, 16-12
SP200S00009RNYC	15-18	TM27I00504	15-6
TM13C00502	15-13, 16-15	TM27I00505	15-6
TM13C03100	15-13, 16-15	TM27I00509	15-6
TM27A00300	15-10	TM27I00511	15-8, 16-12
TM27A00400	15-6	TM27I00601	15-8
TM27A0040025	15-6	TM27I05060	15-8
TM27A00502	15-6, 16-6	TM27I05070	15-8
TM27A00610	15-6	TM27I05120	16-12
TM27A05001E	15-10	TM27I05130	16-12
TM27A05001E050	15-10	TM27K00301	15-15, 16-17
TM27A05001E075	15-10	TM27K00304	15-16, 16-18
TM27A05001E100	15-10	TM27K00310	15-16, 16-18
TM27A06091	15-6	TM27K00412	15-15, 16-17

Home

Find...

Go To..



CROSS REFERENCE

Part Number	Page Number	Part Number	Page Number
TM27K00503	15-16, 16-18	TMD20F00506	16-8
TM27K06051	15-15, 16-17	TMD27A00205	15-6
TM27L00200	15-11, 16-13	TMD27A00205	16-6
TM27L00202	15-20, 16-20	TMD27A00300	16-11
TM27L00204	15-20, 16-20	TMD27A00500	16-6
TM27L00208	15-20, 16-20	TMD27A00507	16-6
TM27L00312	15-20, 16-20	TMD27A05031E	16-11
TM27L00406	16-4	TMD27A05031E050	16-11
TM27L00412	15-17, 16-19	TMD27A05031E075	16-11
TM27L00418	16-4	TMD27A05031E100	16-11
TM27L00420	15-20, 16-20	TMD27A06031	16-6
TM27L00423	15-20, 16-20	TMD27A602610R	16-4
TM27L00513	15-4, 16-4	TMD27A602810S	16-4
TM27L00516	15-20, 16-20	TMD27A610602R	16-4
TM27L05100	15-11, 16-13	TMD27A610802S	16-4
TM27L06020	15-11, 16-13	TMD27B00300	16-8
TM27L06030	15-11, 16-13	TMD27B00402	16-4
TM27M00224	15-18	TMD27B00403	16-4
TM27M00225	15-18	TMD27B00404	16-8
TM27M00226	15-18	TMD27B00405	15-12, 16-14
TM27M00227	15-18	TMD27B00502	16-4
TM27M00228	15-18	TMD27B05003	16-14
TM27M00229	15-18	TMD27C00300	15-9, 16-10
TM27M00230	15-18	TMD27D03001	15-10, 16-11
TM27M00231	15-18	TMD27E05011	16-16
TM27M00232	15-18	TMD27F00200	16-8
TM27M00234	15-18	TMD27F00212	16-8
TM27M00235	15-18	TMD27F00214	16-8
TM27M00308	15-17, 16-19	TMD27F00220	16-8
TM27M00401	15-17, 16-19	TMD27F00227S	16-8
TM27M00502	15-18	TMD27F00233	16-8
TM27M00510	15-18	TMD27F00300	16-8
TM27M03170	15-18	TMD27F00301	16-8
TM27S00301	15-17	TMD27F00305	16-8
TM27S00302	15-12	TMD27F00306	16-8
TM27S00314	15-17	TMD27F00308	16-8
TM27S00316	15-17	TMD27F00309	16-8
TM27S00318	15-17	TMD27F00311	16-8
TM27S00406	15-12	TMD27F00405	16-8
TM27S04080	15-12	TMD27F00506	16-8
TM27T00102	15-9, 16-10	TMD27F005200	16-8
TM27T00102025	15-9, 16-10	TMD27F00601	16-16
TM27T00102050	15-9, 16-10	TMD27F02030	16-8
TM27T00102075	15-9, 16-10	TMD27F05090	16-8
TM27T00102100	15-9, 16-10	TMD27F05100	16-8
TM27T00103	15-10, 16-11	TMD27F05110	16-8
TM27T00103025	15-10, 16-11	TMD27F05120	16-8
TM27T00103050	15-10, 16-11	TMD27H00402	16-12
TM27T00103075	15-10, 16-11	TMD27H00403	16-8
TM27T00103100	15-10, 16-11	TMD27H00500	16-12
TM27T00106050	15-10	TMD27H00503	16-12
TM27T00106075	15-10	TMD27I00401	15-6, 16-6
TM27T00106100	15-10	TMD27I00402	16-12
TM27T00107	15-4, 16-4	TMD27I00501	16-6
TM27T00120	15-10	TMD27I00502	16-6
TM27T01003	15-15, 16-17	TMD27M00315	16-15
TM27U01001	15-6	TMD27M00504	16-15
TM27U01002	15-6	TMD27T00201	16-11
TM27U02001	15-12	TMD27T00201050	16-11
TM27I00406	15-4	TMD27T00201075	16-11
TM27I00418	15-4	TMD27T00201100	16-11
TMD13M00500	15-13	TMD27U01001	16-6

Part Number	Page Number	Part Number	Page Number
TMD27U01002	16-6	X26146	15-17
TMD27U02001	16-14	X26153	15-17
U5MW0054	17-23	XM32001	15-16, 16-18
U7LW0003	17-23	XM32018	15-4, 16-4
X00101B	15-16, 16-18	XM32020	15-6, 16-6
X00110	15-4, 16-4	XM32021	15-6, 16-6
X00137A	15-4, 16-4	XM32022	15-14, 16-16
X00599D	15-8, 16-12	XM32031	15-8, 16-12
X00623	15-8, 16-12	XM32048	15-17, 16-16
X00666	15-9, 16-10	XM32050	15-14, 16-16
X00692	15-11, 16-13	XM32064	15-9, 16-10
X01015	15-4, 16-4	XM32094	15-6, 16-6
X01673	15-11, 16-13	XM37003	15-6, 16-6
X01698	15-18, 16-8	XM37005	15-8, 16-12
X02208	15-4, 16-4	XM37014	15-9, 16-10
X02279	15-4, 16-4	XM38003020	16-8
X02544	15-8, 16-12	XM38003050	16-8
X02583	15-6, 16-6	XM38003054	16-8
X02708	15-17	XM38004	15-6, 16-6
X02751	15-20, 16-19, 16-20	XM39000	15-6, 16-6
X05696	15-17	XM40000	16-8
X07005	15-13, 16-15	XO1698	15-17
X07606	16-6	Z120S00202	15-12
X07663	15-4, 16-4	Z120S00203	15-12
X07689	15-6, 16-6	Z120S00207	15-12
X07737	15-18	Z145D00300	15-10, 16-11
X07738	15-18	Z145M00308	15-18
X07823	15-12, 16-14	Z145S03000	15-8
X07837	16-8	00500-5	5-17, 5-40
X07845	15-12, 16-14	0050132	17-8
X08016120	16-8	0050358	17-4
X08253020	15-20, 16-20	00910	11-22
X08253040	15-20, 16-20	00928	5-31
X08253180	16-19	0095314	17-16
X08258080	15-18	0095315	17-26
X08258110	15-18	0095344	17-24
X08261110	16-8	0096231	17-14
X12015	15-18	0096233	17-14
X12131	15-17	0096234	17-23
X12191	15-20, 16-20	0096235	17-22
X12393	16-8	0096236	17-23
X12489	16-8	0096237	17-14
X12671	15-17, 16-8	0096238	17-4
X13012	16-14	0096433	17-6, 17-28
X13201	15-17	0096448	17-22
X14134	16-8	00966	5-48, 14-12
X14434	16-8	0102202	17-8
X14583	15-4, 16-4	01023-50616	18-28
X14589	15-8, 16-12	01023-50618	18-25, 18-27
X17025	15-4, 16-4	01023-50620	18-8, 18-24
X17040	15-12	01023-50628	18-26
X17045	15-12	01053	13-14
X17048	15-12	01053-50650	18-4
X17066	15-8, 16-12	01073-51030	18-20
X18498	16-12	01073-51240	18-20
X18552	15-8	01123-50814	18-21
X26129	15-4, 15-17	01123-50816	18-6, 18-10
X26136	16-19	01123-50818	18-13
X26138	16-8	01123-50822	18-12, 18-28, 18-29
X26140	16-8	01123-50825	18-11
X26142	15-20, 16-20	01123-50828	18-11, 18-27
X26144	16-8	01123-50832	18-26

CROSS REFERENCE

Part Number	Page Number	Part Number	Page Number
01123-50835	18-29	04012-50080	18-8, 18-14, 18-26
01123-50860	18-8	04013-50080	18-24
01123-50865	18-29	04022	9-14
01133-51030	18-20	04443	10-16, 11-18, 12-22, 14-17
01133-51050	18-25	04477	14-17
01153-50812	18-20	04512-50060	18-4, 18-8, 18-24, 18-26
01153-50870	18-8	04512-50080	18-6, 18-8, 18-12, 18-14, 18-20, 18-27, 18-28, 18-29
01153-50880	18-8	04512-50100	18-12, 18-20
01153-50895	18-8	04512-50120	18-20
01275	10-13, 11-15, 12-13	04612-00140	18-14
0150129	17-6	04612-00240	18-21
01513-50822	18-29	04681	5-28
01517-51028	18-20	04717-01600	18-6
01517-51030	18-12	04717-02150	18-29
01574	13-4, 13-5, 13-6, 13-7, 13-8, 13-9	04724-00160	18-10
01666	14-14, 14-15	04733-4	10-16, 11-18, 12-22
01669	14-14, 14-15	04733-5	13-22
01673	14-14	04811-00060	18-25
0170033	17-8	04811-00120	18-24
0170048	17-12	04811-00150	18-8
0170052	17-4	04811-00160	18-10
01715	5-24	04811-00360	18-8
0180637	17-26	04811-10070	18-25
0181029	17-24	04811-10300	18-18
01817	14-15	04811-50300	18-16
01818	14-14	0490184	17-6
01873	5-22	0490228	17-15
0200666	17-6	0490656	17-15
0201297	17-4	0490685	17-26
0201318	17-8	0490724	17-10
0201397	17-24	0490740	17-4
02056-50060	18-8, 18-24	0490775	17-18
0206102	17-26	0500006	17-16
02076	7-4	05012-00408	18-4
02112-50080	18-24	05012-00609	18-4
02156-50080	18-6, 18-12, 18-14, 18-27, 18-28, 18-29	05012-00612	18-4, 18-8
02176-50100	18-12, 18-20	05012-01018	18-4
02246	12-18	05411-00420	18-25
02246	13-17	0560244	17-18
0230001	17-6	0566002	17-8
02475	13-18	0566007	17-20
02476	13-18	05611-10310	18-21
02485	5-8	05712-00408	18-24
02506-6	13-27	05712-00410	18-4
02507	13-18	05712-00525	18-21
02965	9-14, 9-15	05712-00720	18-13, 18-18
02984	5-26	0571351	17-8
03024-50520	18-22	0571352	17-20
03233	5-40	0576001	17-12
03282	13-18	0576002	17-10, 17-12, 17-22, 17-23, 17-26
03290	13-18	0576051	17-6, 17-28
03293	13-18	0576064	17-15
03296	13-18	0576102	17-10
03410-50808	18-14	0576151	17-8
03467A	5-24	0576302	17-8
0350014	17-4	05881	5-38
0350017	17-28	0610011	17-20
0380068	17-15	0623293	17-20
04011-50180	18-8	06279	5-26
04012-50060	18-26	06311-75018	18-4

Part Number	Page Number	Part Number	Page Number
06311-75045	18-4	07851	8-8, 9-5
06474A	5-25	07854	8-4
0650203	17-28	07855	8-4
0650204	17-24	07856	8-4
0650507	17-8	07858	8-8
0650542	17-28	07861	8-4
0650563	17-4, 17-6	07867	8-4
0650576	17-6	07869	5-33, 5-34
0650594	17-4	07875	5-37
0650664	17-4	07877	10-8, 11-8, 12-8
0650664	17-6	07878	10-8, 11-8, 12-8
0650710	17-4	07880	10-8, 11-8, 12-8
0650722	17-14	07881	11-7
0650777	17-4	07882	5-52
06598	5-26	08021	14-8
06678	13-24	08024	5-47
06743	8-4	08025	5-47
06777	10-8, 11-8, 12-8	08045	13-22
06868	9-13	08046	13-22
06869	9-6	08047	13-22
06871	9-6	08048	13-22
0700279	17-12	08051	13-22
0720790	17-8	08052	13-22
0726258	17-28	08063	13-22
0726264	17-26	08153-06205	18-21
07299	9-6	08240-00001	18-21
0730116	17-10	0825219	17-8
0730144	17-28	0826201	17-12
0746052	17-12	0826209	17-23
0746201	17-20	0826232	17-26
0746252	17-28	0826242	17-15
0746254	17-4, 17-10, 17-18, 17-22	0826244	17-26
0746255	17-12, 17-18	0826248	17-16
0746259	17-4	0826249	17-10
0746355	17-12	0826250	17-8
0746424	17-22, 17-28	0826260	17-15
0746451	17-24	0826274	17-26
0746454	17-16	0826478	17-6
0746461	17-12	0827802	17-28
0746652	17-21	08317	13-15
0770101	17-4	08873	5-37
07715-00805	18-21	08876	5-37
07715-03205	18-21	08889	5-33
07715-03209	18-18	08890	5-40
07715-03213	18-8	08891	5-40
07740	5-49	08892	5-40
0780144	17-6	08893	5-40
0780240	17-10	08961	10-5, 11-5, 12-5
0780261	17-8	08996	10-5, 11-5, 12-5
0780310	17-18	09000	10-5, 11-5, 12-5
07831	8-6	09031	5-18
07832	8-6	09092-1	13-15
07833	8-6	0910060	17-6
07839	8-4	0910061	17-6
07840	8-4	0920003	17-8, 17-12, 17-15, 17-15, 17-18, 17-22, 17-26
07841	8-4	0920004	17-22
07842	8-8	0920005	17-18
07844	8-4	0920051	17-28
07845	8-4	0920052	17-12
07848	8-8		
07849	8-9		
07850	8-10		

CROSS REFERENCE

Part Number	Page Number	Part Number	Page Number
0920053	17-4, 17-10, 17-12, 17-14, 17-16, 17-18, 17-22, 17-23, 17-26, 17-28	10801	13-10, 13-12
0920054	17-6, 17-22, 17-24, 17-28	10838	18-18
0920112	17-24	10841	18-18
0920113	17-26	10844	18-18
0920146	17-24	10845	18-18
0920155	17-6	10846	18-21
0920485	17-8	10847	18-25
0921116	17-10	10849	18-29
0921117	17-6	10850	18-29
0921118	17-16	10851	18-29
0921118A	17-16	10852	18-29
0921120	17-16	10853	18-27
0921120A	17-16	10854	18-27
0921122	17-8	10865	5-34
0921159	17-12	10892	18-27
0921176	17-26	10893	18-27
0921249	17-6	10894	18-14
09280	5-37	10895	18-4, 18-16
09318	5-44	10896	18-14
09342	5-4, 5-8	10897	18-14
09384	13-4, 13-7	10898	18-14
09385	5-20, 13-10, 13-12, 13-14	10899	18-12
0940357	17-15	10903	18-8
0940990	17-6	10906	18-10
0941039	17-18	11399	13-20, 13-21
0941040	17-18	11453	5-47
0941041	17-18	11531	5-42, 8-8, 9-5
0941042	17-18	11848	5-37, 8-4
0941044	17-12	11893	5-22
0941221	17-28	11984	5-37, 7-8, 9-10
09661-40095	18-22	12709	18-4
09819	15-18	12794	18-24
09832	5-38	12795	18-29
09837	15-18	12796	18-8
09852	15-18	12797	18-18
09857	15-18	12798	18-18
09861	15-18	12892	18-22
09867	15-18	13XX14141	15-6, 16-6
09871	15-18	13015-1	5-36
09877	15-18	13352	10-5, 11-5, 12-5
09890	15-18	13888	12-18, 13-39
09891	15-18	13959	13-10, 13-12
09900-1	5-45	13962	5-28
09910	15-18	14131	5-37
09928	5-4, 5-22, 10-10, 11-10, 12-10	14138A	5-15
09930	15-18	14242	5-28, 5-31
09933	10-5, 11-5, 12-5	14301-4275-0	18-28
09934	10-5, 11-5, 12-5	14311-6050-4	18-28
0994788	17-28	14330	5-25, 5-28
10120	5-28	14331	5-25, 5-28
10125	5-20	14432	6-4, 7-7, 8-9, 9-10, 17-14
10136	7-4	14601	5-40, 7-4, 9-8
10143	5-36	14605	10-17, 11-19, 12-23
10244-4232-0	18-22	14681-4201-0	18-28
10632-11	13-18	14854	5-25
10632-19	5-33, 5-34	15000-3608-0	18-6
10632-20	13-10, 13-12	15006	13-7, 13-8, 13-9
10701	13-18	15021-1424-0	18-14
10754	6-4	15021-3366-0	18-16
		15021-5624-0	18-26
		15066	13-18
		15108-5728-0	18-24



Part Number	Page Number	Part Number	Page Number
15109-7336-0	18-29	15291-7316-0	18-4
15121	13-18	15321-2516-3	18-20
15173	10-17, 11-19, 12-23	15321-7301-0	18-29
15201-0482-0	18-11	15321-7326-0	18-29
15221-0175-0	18-6	15321-7327-0	18-29
15221-0337-0	18-6	15331-0461-0	18-20
15221-0338-0	18-4	15401-0558-0	18-16
15221-0339-0	18-4	15401-1231-0	18-12
15221-0349-0	18-6	15401-1405-0	18-14
15221-1237-0	18-12	15401-5115-0	18-21
15221-1311-0	18-14	15401-5211-0	18-28
15221-1312-0	18-14	15401-6556-0	18-22
15221-1315-0	18-14	15401-9569-0	18-28
15221-1324-0	18-14	15411-0407-0	18-11
15221-1328-0	18-14	15426-5285-0	18-28
15221-1333-0	18-14	15434-0161-0	18-10
15221-1336-0	18-14	15434-1451-0	18-16
15221-1358-0	18-6	15451-9233-0	18-16
15221-1418-0	18-14	15461-5101-0	18-28
15221-1431-0	18-14	15461-63011	18-20
15221-1435-0	18-14	15469-0162-0	18-10
15221-1442-0	18-14	15469-5371-0	18-22
15221-1443-0	18-14	15469-5372-0	18-22
15221-1511-0	18-13	15469-5373-0	18-22
15221-1555-0	18-13	15469-5374-0	18-22
15221-1627-0	18-13	15469-8311-0	18-25
15221-1632-0	18-21	15469-8315-0	18-25
15221-2133-0	18-18	15471-1182-3	18-12
15221-2198-0	18-18	15471-1452-0	18-16
15221-2336-0	18-18	15471-1601-0	18-13
15221-2395-0	18-18	15471-1602-0	18-21
15221-2396-0	18-18	15471-1615-0	18-13
15221-2401-0	18-13	15471-1617-0	18-21
15221-2425-0	18-13	15471-2201-2	18-18
15221-2432-0	18-13	15471-2231-0	18-18
15221-2498-0	18-13	15471-2297-0	18-18
15221-3314-0	18-16	15471-2298-0	18-18
15221-3361-0	18-4	15471-2331-2	18-18
15221-3365-0	18-4	15471-2411-0	18-18
15221-3370-0	18-4	15471-3501-0	18-4
15221-3375-0	18-10	15471-3641-0	18-10
15221-3515-0	18-4	15471-3642-0	18-10
15221-3568-2	18-4	15471-4252-0	18-22
15221-5166-0	18-25	15471-5211-0	18-28
15221-5545-0	18-21	15471-5409-0	18-25
15221-5547-0	18-21	15471-5410-0	18-25
15221-5569-0	18-21	15471-5604-0	18-26
15221-5574-0	18-21	15471-5605-0	18-26
15221-5615-0	18-26	15471-5613-0	18-26
15221-5623-0	18-26	15471-5715-0	18-24
15221-5628-0	18-8	15471-7425-0	18-27
15221-6382-0	18-20	15471-9153-0	18-6
15221-6641-0	18-26	15471-9201-0	18-25
15221-8813-0	18-8	15471-9536-0	18-25
15221-8821-0	18-8, 18-24	15475-1176-0	18-12
15221-9153-0	18-12, 18-28	15476-0101-0	18-4
15223-8334-0	18-8	15476-0304-3	18-6
15241-3695-0	18-8	15476-0332-0	18-6
15241-5214-0	18-28	15478-2301-2	18-18
15261-9601-0	18-6	15512-9601-0	18-29
15261-9602-0	18-8	15521-0231-0	18-4
15271-5302-0	18-22	15521-0314-0	18-6

CROSS REFERENCE

Part Number	Page Number	Part Number	Page Number
15521-0402-2	18-8	15841-3901-0	18-4
15521-0405-5	18-11	15841-5385-0	18-22
15521-0406-5	18-11	15841-5386-0	18-22
15521-0413-3	18-8	15951-3375-0	18-10
15521-0514-0	18-16	16071	11-22, 14-13
15521-0515-0	18-16	16072	14-13
15521-0537-0	18-16	16143	15-13, 16-15
15521-0551-0	18-16	16147	15-13, 16-15
15521-0555-0	18-16	16153	16-6
15521-0567-0	18-16	16174	15-13, 16-15
15521-1235-0	18-12	16241-5442-0	18-24
15521-1423-0	18-14	16421	13-7, 13-8, 13-9
15521-1651-0	18-13	16422	13-7, 13-8, 13-9
15521-2131-0	18-18	16423	13-7, 13-8, 13-9
15521-2214-0	18-18	16511	13-7, 13-8, 13-9
15521-2353-0	18-18	16564	9-13
15521-2436-0	18-13	16690	15-18
15521-2437-0	18-13	16700	5-36
15521-3229-0	18-8	16705	7-4
15521-3693-0	18-8	16706	16-8
15521-5165-3	18-25	16707	16-8
15521-5427-0	18-25	16708	16-8
15521-5565-0	18-21	16710	16-8
15521-5641-0	18-26	16711	16-8
15521-5642-0	18-26	16712	16-8
15521-5711-4	18-24	16735	6-4
15521-5770-3	18-25	16736	5-20
15521-6551-0	18-22	16737	5-20
15521-7292-0	18-29	16738	5-39
15521-7303-0	18-27	16739	16-8
15521-7332-0	18-8	16740	5-50
15521-7333-0	18-8	16743	5-36
15521-7334-0	18-29	16755	5-12
15521-7343-0	18-27	16760	5-12
15521-7351-0	18-27	16762	5-12
15521-7352-0	18-27	16769	5-40
15521-7355-0	18-27	16770	5-17
15521-9150-0	18-14	16771	10-12, 11-14
15521-9151-0	18-27	16772	12-12
15521-9331-0	18-16	16773	13-36
15521-9361-0	18-13	16780	5-18
15521-9602-0	18-4	16781	5-18
15521-9603-0	18-4	16783	5-4, 5-22
15543	5-39, 7-7, 13-37	16784	5-4, 10-10, 11-10, 12-10
15543-1	5-39, 12-18, 13-17	16785	5-4, 5-20
15555	7-8, 8-12, 9-13	16787	5-22
15575-7310-0	18-4	16788	5-4, 5-22
15601-0454-0	18-11	16791	5-22
15601-0456-0	18-11	16794	5-22
15601-1403-0	18-14	16798	5-22
15601-5412-0	18-24	16801	5-42
15601-5602-0	18-26	16810	13-37
15601-5648-0	18-26	16811	13-38
15601-9201-0	18-24	16812	5-48
15601-9665-0	18-24	16813	11-21
15611-5751-0	18-25	16814	11-22, 14-13
15611-5772-0	18-25	16815	5-44, 11-22
15611-5774-0	18-25	16817	13-24
15628-3211-0	18-10	16818	13-24
15687	8-4	16820	5-42
15808-0331-0	18-6	16821	5-42
15841-1462-0	18-24	16827	5-25

Home	Find...	Go To..		
------	---------	---------	-------------------------------------------------------------------------------------	---------------------------------------------------------------------------------------

Part Number	Page Number	Part Number	Page Number
16828	5-25	19202-9101-0	18-24
16832	5-40	19222-1619-0	18-25
16835	5-20	19274-2105-0	18-18
16840	11-21, 14-8	19274-2109-2	18-18
16844	12-14	19274-2111-0	18-18
16846	5-50	19274-2191-0	18-18
16848	7-4	19439-2111-0	18-18
16850	7-4	19439-2191-0	18-18
16851	15-13, 16-15	19629-2501-2	18-20
16852	15-13, 16-15	19636	5-46
16853	15-20, 16-20	19892	8-4
16855	16-15	20021	5-40, 7-4, 9-8
16860	5-40	20029	10-13, 11-15, 12-13
16861	11-12	20050	5-26
16862	13-24	20120003	15-18
16863	5-50	20120004	15-18
16864	11-22	20120010	15-18
16865	15-13	20120011	15-18
16866	11-22	20343	13-20, 13-21
16867	13-24	20634	5-20
16868	11-22	2116053	17-12
16869	13-41	2172692	17-26
16870	6-4	2188134	17-15
16871	13-20, 13-21	2211224	17-22
16873	13-20, 13-21	2211401	17-26
16874	13-20, 13-21	22134	5-25
16875	5-35	22297	5-39, 5-40, 5-42, 7-7, 8-9, 9-10, 12-18, 13-17, 13-37
17011-5362-0	18-22	22309	8-7
17011-5738-4	18-24	22473	13-14
17321-1356-0	18-6	22640	13-4, 13-5, 13-6
17321-3243-0	18-8	23140045	17-22
17331-2347-0	18-18	23146	10-8, 11-8, 12-8
17331-2348-0	18-18	23446	5-22, 11-8
17331-2391-0	18-18	23498	5-22, 5-24, 11-4, 13-30, 13-32, 13-34
17331-2392-0	18-18	23515	5-22
17331-2393-0	18-18	23542	5-24, 12-15, 13-17
17331-2394-0	18-18	23683	5-28
17331-5721-0	18-24	23947	13-18
17331-7334-0	18-29	23999-3	10-5, 11-5, 12-5
17333-9101-0	18-10	23999-8	5-40
17367-9101-0	18-8	24047	6-4
17367-9102-0	18-8	2411157	17-28
17414	9-13, 13-24	2411260	17-18
17808	5-28	2415338	17-12
17809	5-28	24227	10-7, 11-7, 12-7
17980	8-4, 11-22	2431A054	17-6
18158-1	5-24	2431154	17-6
18342	13-10, 13-12	24339	5-31
19171	9-6	24564	11-12
19202-0345-0	18-6	24576	13-4, 13-5, 13-6, 13-40
19202-0404-0	18-11	24576-1	13-4, 13-5, 13-6, 13-40
19202-0414-0	18-18	24584	6-4, 9-13
19202-0446-0	18-11	2481863	17-10
19202-0481-0	18-11	2485666	17-6
19202-2325-0	18-18	24870001	17-10
19202-2328-0	18-18	2487004	17-18
19202-2354-0	18-18	2487841	17-10
19202-2397-0	18-18	24899	5-26
19202-2398-0	18-18	24924	5-39
19202-2398-0	18-18	24928	6-4
19202-3566-0	18-4		
19202-7270-0	18-29		
19202-7305-0	18-27		

CROSS REFERENCE

Part Number	Page Number	Part Number	Page Number
24928-1	6-4	28499-3	13-18
24929	6-4	29087	10-13, 11-15, 12-13
24976	6-4, 9-6, 12-17	29232	13-10, 13-12
25013	9-8	29662	5-40
25029	9-8	29832-2	5-40
25035	9-6	29832-4	8-4
25058	9-5	30013	5-44, 5-45, 11-12
25061	9-6	30014	18-18
25062	9-6	30020	18-18
25063	9-6	30021	18-18
25065	9-6	30048	18-22
25066	9-6	30051	18-10
25067	9-8	30053	18-6
25068	9-8	30067	18-4
25069	9-6	30068	18-4
25070	9-6	30070	18-4
25076	9-12	30071	18-4
25080	9-6	30076	18-13
25081	9-5	30085	18-18
25082	9-5	30087	18-18
2511447	17-12	30088	18-18
25125	5-40	30089	18-18
25126	5-40	30090	18-18
25142	5-40	30091	18-18
25151	13-10, 13-12	30099	18-18
25312	13-27	30105	18-20
25314	9-6, 12-17	30111	18-18
25522	9-6	30112	18-18
25965	13-39	30113	18-18
26XX26129	16-4	30114	18-18
26103	5-22	30115	18-18
2614A036	17-23	30116	18-18
26156	5-26	30117	18-18
26239	10-5, 11-5, 12-5	30118	18-18
26260	5-40	30119	18-18
26395	13-12	30120	18-18
26395-1	6-4	30121	18-18
26395-2	5-10, 13-4, 13-7	30122	18-18
26410096	17-10	30123	18-20
2641702	17-10	30124	18-29
26426	6-4, 9-6, 12-17	30125	18-29
2643C155	17-26	30126	18-29
2644951	17-26	30127	18-29
2645698	17-26	30129	18-22
26496	6-4	30130	18-22
26509	5-39	30131	18-22
2652845	17-10	30132	18-22
2654403	17-21	30133	18-22
26560016	17-24	30134	18-22
26560017	17-24	31134137	17-12
26565	5-40, 5-44, 7-4, 9-8, 10-17, 11-19, 11-22, 12-23	31134145	17-16
2656617	17-24	30135	18-24
2666408	17-6	30136	18-24
26927	8-4	31141645	17-22
27048	6-4	31145803	17-23
27184	5-33, 5-34	31147741	17-16
2721124	17-16	31171245	17-16
27223	5-20	31171541	17-12
2724436	17-12	31171542	17-12
27324	5-49	31220-1417-0	18-20
2848062	17-4	31286	18-10
		31287	18-10

Part Number	Page Number	Part Number	Page Number
31288	18-10	32571	5-4, 11-12
31289	18-10	32587	8-4
31290	18-10	32588	8-4
31291	18-6	32590	7-8, 8-4
31292	18-6	32598	10-10, 11-10, 12-10
31293	18-8	32599	10-10, 11-10, 12-10
31294	18-8	32701	8-4
31298	18-8	32702	8-4
31299	18-8	32712715	17-20
31302	13-22	32726511	17-16
31303	13-22	32751	10-17, 11-19, 12-23
31304	13-22	32808	7-8, 8-12
31305	13-22	32813106	17-4
31311	13-22	32816	10-6, 11-6, 12-6
31315	5-4	32822	5-13, 12-14
31316	5-4	32823	8-12
31317	5-4	32827	13-10, 13-12
31318	5-4	32904	17-23
31319	5-4	32912	13-22
31320	5-4	32969	13-22
31321	5-4	33111412	17-18
31322	5-4	33114412	17-22
31328	18-8	33115118	17-21
31329	18-11	33115121	17-16
31336	18-11	33115411	17-6
31337	18-11	33123411	17-6
31338	18-11	33124424	17-6
31339	18-11	33124458	17-16
31358117	17-4	3313E001	17-6
31415303	17-12	33157122	17-20
31434152	17-8	33176156	17-16
31434306	17-8	33221115	17-10
31613	5-50	33221317	17-6
31733116	17-16	33225412	17-24, 17-26
31742128	17-20	33225413	17-24
31785417	17-18	33261723	17-6
31922	13-10	33283514	17-22
31922	13-12	33287314	17-6
31935	5-40	33426516	17-12
31936	6-4	33472494	17-12
31937	7-4	33473107	17-4
31942	16-4	33474003	17-16
31943	16-4	33531117	17-6
31944	15-4	33532121	17-18
31945	15-4	33532128	17-24
32126	5-31	33554	6-4
32161114	17-4	33609	9-6
32162329	17-16	33612	9-6
32166216	17-4	33613	9-6
32178	13-22	33641	9-14
32179	13-22	33647	9-14
32180	13-22	33701	9-15
32180	13-22	33736	9-15
32181	13-22	33737	9-6
32198	13-14	33782	13-5, 13-8
32361	13-22	33783	13-5, 13-8
32376	5-37	33784	9-6
32430	13-12	33787	9-14
32435	7-8, 8-4	33788	13-40
32436	7-8, 8-4	33811112	17-24, 17-26
32486	12-12	33811113	17-24
32524148	17-6	33811115	17-24

CROSS REFERENCE

Part Number	Page Number	Part Number	Page Number
33817403	17-6	34087	14-7
33820	9-13	34088	14-7
33821	9-6	34090	14-5
33822	9-6	34091	5-52
33828	9-6	34092	14-4
33839	13-40	34093	5-22
33843	15-18	34094	14-4
33848	15-18	34095	5-35
33849	15-18	34096	5-22
33850	15-18	34097	14-4
33855	15-18	34110	5-17
33867	13-40	34111	5-42, 8-8
33872312	17-10	34112	10-7, 12-7
33873	5-26	34114	5-10
33875	9-6	34115	10-6, 11-6, 12-6
33876	5-24	34116	5-16
33878	13-40	34119	5-15
33879	13-40	34121	10-7, 11-7, 12-7
33885	5-24	34138	5-52
33891	13-40	34139	5-12
33893	13-40	34140	5-44
33894	13-40	34141	10-17, 11-19, 12-23
33895	13-40	34142	5-33, 5-34
33896	13-40	34143	7-6, 8-13
33897	5-24	34144	5-33
33898	5-24	34151	10-4
34036	13-37	34152	5-34
34038	13-38	34154	11-4
34040	13-18	34155	5-8
34041	13-18	34156	12-4
34042	13-18	34158	14-4
34043	13-18	34159	14-4
34044	13-18	34160	14-4
34045	13-18	34161	14-4
34046	13-18	34162	14-4
34047	13-18	34163	14-7
34048	13-18	34165129	17-6
34049	13-18	34165132	17-6
34052	13-18	34171	14-11
34054	5-47	34172	14-11
34056	5-33, 5-34	34173	14-11
34060	11-4	34174	14-10, 14-11
34061	11-6	34175	14-10
34064	10-4, 11-4, 12-4	34176	14-10
34065	5-40, 9-14, 12-17	34177	14-10
34066	13-30, 13-32, 13-34	34178	14-9
34067	5-45	34179	14-9
34068	5-45	34180	14-9
34069	5-45	34181	14-9
34070	5-20	34182	14-9
34071	5-24	34183	14-9
34072	5-15	34184	14-9
34073	12-12	34185	14-9
34074	5-4, 11-12	34189	5-4, 15-18
34076	10-8, 11-8, 12-8	34192	12-14
34078	5-22	34193	15-18
34079	5-22	34193	5-4
34080	5-22	34194	5-4, 5-40
34083	5-4, 11-8	34197	5-12
34084	5-4, 11-8	34201	10-7, 11-7, 12-7
34085	10-8, 11-8, 12-8	34203	5-15
34086	14-7	34206	5-24

Part Number	Page Number	Part Number	Page Number
34208	5-35	34355	5-44, 11-21
34209	5-35	34356	5-44
34210	5-35	34357	5-48
34218	5-24	34358	5-44
34219	5-24	34359	5-46, 5-47
34220	5-37	34360	5-46
34221	5-10	34361	5-46
34229	5-10	34363	5-44
34232	6-4	34364	5-45, 11-22
34234	5-10	34365	5-45, 8-4, 11-22
34244	5-8, 11-4	34366	5-44
34245	11-4	34367	5-46
34246	5-10	34369	5-49
3425P003	17-24	34370	5-48, 11-20, 12-24
34251	5-10	34371	11-20, 12-24
34252	5-10	34372	5-46
34254	5-10	34373	5-45
34258	5-37	34374	5-45
34272	10-7, 11-7, 12-7	34375	5-49, 5-50
34274	5-12	34376	5-48
34275	5-12	34377	5-46
34277	6-4	34378	5-48
34279	5-10	34379	10-16, 11-18, 12-22
34280	13-18	34380	10-16, 11-18, 12-22
34282	6-4	34381	10-18, 11-24, 12-21
34283	5-36	34382	10-16, 11-18, 12-22
34285	6-4	34387	5-47
34288	6-7	34388	5-47
34289	6-4	34389	5-50
34292	5-20	34390	5-48, 5-50
34296	11-7	34391	11-22
34297	5-4, 15-18	34392	10-16, 11-18, 12-22
34298	15-18	34393	11-22
34299	15-18	34394	11-22
34300	5-49	34395	11-22
34305	5-49	34396	5-49, 5-50
34306	5-49	34410	5-50
34308	5-49	34411	5-50
34310	5-48, 14-4	34413	13-24
34311	11-21, 14-7	34414	13-24
34312	5-44, 10-17, 11-19, 12-23	34414122	17-8
34313	5-15	34415	13-24
34317	10-17, 11-19, 12-23	34419	14-7
34318	10-17, 11-19, 12-23	34420	5-48
34319	10-17, 11-19, 12-23, 14-14	34421	5-46
34325	10-18, 11-24, 12-21	34422	5-46
34326	10-16, 11-18, 12-22, 14-18	34423	5-46, 14-10
34327	5-50, 14-19	34425	13-17
34329	5-8, 11-7	34429	15-15, 16-17
34330	5-15	34434	13-18
34331	11-7	34438	13-20
34333	13-32, 13-34	34440	13-21
34334	13-32, 13-34	34442	13-24
34335	5-34	34446	13-12
34336	5-34	34448	13-10
34341	5-44	34450	13-4
34347	5-47	34453	13-7
34348	5-47	34456	13-5
34351	11-21	34458	13-6
34352	5-49	34460	13-8
34353	5-48	34462	13-9
34354	11-22	34473	13-10, 13-12

CROSS REFERENCE

Part Number	Page Number	Part Number	Page Number
34475	13-4, 13-5, 13-6	34680	13-34
34476	13-4, 13-5, 13-6	34681	5-4, 10-8, 11-8, 12-8
34477	13-4, 13-5, 13-6	34682	5-4, 10-8, 11-8, 12-8
34478	13-7, 13-8, 13-9	34683	10-8, 11-8, 12-8
34479	13-7, 13-8, 13-9	34685	5-4, 10-10, 11-10, 12-10
34480	13-7, 13-8, 13-9	34686	5-4, 10-10, 11-10, 12-10
34488	13-36	34687	5-4, 10-10, 11-10, 12-10
34493	7-7, 8-9, 9-10	34689	5-4, 10-10, 11-10, 12-10
34498	12-18, 13-17	34690	5-4, 10-10, 11-10, 12-10
34499	13-17	34692	13-30
34500	5-18	34695	13-34
34501	5-18	34700	13-10, 13-12
34503	5-18	34703	5-22
34504	5-18	34716	11-12
34511	5-18	34721	5-4, 5-22
34512	5-18	34723	5-22
34518	10-12, 11-14	34726	5-4, 15-18
34519	12-12	34727	15-18
34522	5-18	34738	5-20
34523	5-18	34739	5-20
34528	13-20, 13-21	34741	5-20
34529	5-18	34744	10-10, 11-10, 12-10
34532	5-18	34747	15-17
34533	5-22	34749	5-4, 15-17
34535	5-4, 5-8	34752	15-16, 16-18
34536	5-8	34754	5-20
34537	5-8	34755	5-20
34540	5-8	34756	5-20
34542	5-8	34759	5-4, 5-20
34543	5-8	34760	5-4, 5-20
34545	5-8	34771	5-20
34546	5-34	34772	5-4, 5-8
34547	16-15	34773	5-20
34549	5-20	34775	7-6, 8-13, 9-16
34580	5-49	34776	5-34
34585	5-33	34777	5-34
34593	10-8, 11-8, 12-8	34779	14-18
34594	10-8, 11-8, 12-8	34781	14-19
34595	7-4	34782	15-17
34596	5-35	34791	15-4
34622	5-20	34794	16-4
34634	5-20	34797	15-17
34636	13-32	34798	15-17
34637	13-34	34799	15-17
34638	5-4, 5-22	34801	7-4, 8-4
34639	10-8, 11-8, 12-8	34802	7-4, 8-4, 9-6
34640	15-14, 16-16	34803	7-4, 8-4, 9-6
34649	10-8	34804	7-4, 8-4
34650	11-8	34805	5-40
34651	12-8	34808	5-40, 6-4, 8-4, 9-6, 12-17
34652	5-22	34809	5-40
34656	11-12	34810	5-33, 5-34
34657	10-8, 11-8, 12-8	34811	5-33, 5-34
34659	5-4, 10-8, 11-8, 12-8	34812	5-33
34664	12-8	34812	5-34
34670	10-10, 11-10, 12-10	34813	5-33, 5-34
34672	10-10, 11-10, 12-10	34814	5-33, 5-35
34673	10-10, 11-10, 12-10	34815	5-33, 5-34
34674	10-10, 11-10, 12-10	34816	5-33, 5-34
34677	10-8, 11-8, 12-8	34818	5-33
34678	10-8, 11-8, 12-8	34820	5-33, 5-34, 7-6, 10-14, 11-16, 12-15
34679	10-10, 11-10, 12-10		

Part Number	Page Number	Part Number	Page Number
34820	8-13	34928	5-39
34821	6-7	34929	7-4
34823	5-36, 6-7, 7-4	34930	6-4
34826	5-20	34934	5-13, 12-14
34827	5-20	34943	11-20, 12-24
34828	13-10, 13-12	34944	11-20, 12-24
34829	13-10, 13-12	34946	5-45
34830	15-15, 16-17	34947	11-20, 12-24
34831	12-17	34952	5-13
34833	5-40, 12-17	34953	5-40
34834	5-33	34954	7-7
34841	7-4, 8-4	34957	12-14
34842	5-33	34958	7-8, 9-13
34843	13-10, 13-12, 13-18	34959	5-40
34844	13-4, 13-7	34969	6-4
34845	13-5, 13-8	34970	7-4
34846	13-20, 13-21	34971	7-4
34847	13-10, 13-12	34972	7-4
34848	13-10, 13-12	34986	5-45, 11-20, 12-24
34849	13-18	34989	5-42
34860	6-4, 9-6	34990	5-42
34861	7-4, 8-4	34993	5-38
34862	12-17	34996	5-39
34863	12-17	34997	5-39
34864	5-22	35051	5-24
34867	5-40, 12-17	35052	9-10
34868	5-15	35053	9-4
34869	5-40, 12-17	35054	9-10
34871	5-33	35055	9-10
34872	13-10, 13-12	35056	9-10
34873	15-15, 16-17	3522H001	17-26
34875	5-40	3522H002	17-26
34876	15-6, 16-6	35343078	17-26
34877	5-40	35343079	17-26
34878	5-39	3558X009	17-26
34879	5-40	35586	10-18, 11-24, 12-21
34880	6-4	35731143	17-10
34881	6-4	35736145	17-18
34884	5-40	35772607	17-18
34885	7-8	35844057	17-24
34887	12-18, 13-38, 13-39	35846224	17-24
34888	12-18, 13-39	35847319	17-24
34889	12-18, 13-39	35861	11-12
34893	7-8	36151505	17-10, 17-12, 17-16, 17-18
34894	7-8	36151506	17-12
34895	7-4	36151507	17-20
34898	5-40	36173452	17-26
34900	8-4	36178509	17-12
34903	5-25	36203	10-7, 12-7
34904	5-40	36241316	17-10
34908	5-38	36243515	17-23
34909	5-40, 9-8	36256717	17-4
34910	7-4	36417	5-40
34915	7-7	36438	13-40
34916	5-39	36439	13-40
34917	7-7	36468	5-18
34918	7-4	36548423	17-22
34920	5-40	36644132	17-26
34924	5-40, 7-4, 8-6, 9-8	36658	5-4, 5-20, 8-4
34925	5-42	36661	5-4, 5-20
34926	5-42	36665	5-20
34927	5-42	36665	5-4

CROSS REFERENCE

Part Number	Page Number	Part Number	Page Number
36666	5-20	37725448	17-18
36732	5-15	37764181	17-21
36735	5-15	37766	14-9
36739	5-28	37783543	17-15
36740	5-28	37786175	17-14
36758	10-7, 11-7, 12-7	37942	15-6, 16-6
36767	11-12	38006	15-18
36779	13-16	38010	15-17
36784	11-12	38082	15-4, 16-4
36785	11-12	38163113	17-22
36786A	11-12	38280	17-23
36787-1	11-12	38338	17-30
36788	13-24	38339	17-30
36789	11-4, 13-16	38379	16-8
36790	11-4, 13-16	38381	15-12, 16-14
36791	11-12	38383	16-16
36792	11-12	38384	16-8
36800	11-12	38385	16-8
36807	11-4	38386	16-8
36808	11-22, 14-12	38387	16-8
36812134	17-4	38388	16-8
36813145	17-12	38389	16-8
36826114	17-4	38390	16-8
36829	11-22	38391	16-8
36839	11-4	38392	16-8
36844	5-4, 11-12	38393	16-8
36846	11-4	38395	16-8
36846412	17-10	38396	16-8
36846415	17-14	38397	15-6
36851113	17-10	38398	15-4, 16-4
36862517	17-21	38401	15-16, 16-18
36866713	17-23	38402	15-20, 16-20
36869	11-12	38403	15-17, 16-19
36873	11-8	38404	15-4, 16-4
36874	11-8	38405	15-20, 16-20
36875	11-8	38406	15-20, 16-20
36878	11-8	38408	15-4, 16-4
36882	5-4, 5-22	38409	15-20, 16-20
36883107	17-4	38410	15-18
36886	13-24	38411	16-8
36888	10-8, 11-8, 12-8	38412	16-8
36889	10-8, 11-8, 12-8	38413	15-4, 16-4
36892	5-22	38414	15-4, 16-4
36896	5-22	38415	16-8
36898	5-22	38416	15-12, 16-14
36899	11-12	38417	16-8
36995	5-16	38419	16-8
36996	5-18	38420	15-14
37031	5-15	38423	15-18
37138021	17-28	38449	15-9, 16-10
37161104	17-12	38550	15-18
37172061	17-18	38582	15-4
37188137	17-10	38583	16-4
37443591	17-6	38591	17-23
37450	14-4	38665	15-6
37451	14-4	38673	17-23
37453	14-4	38747	17-10
37462	14-4	38957	18-20
37467	14-4	38991	15-18
37513401	17-28	38992	15-18
37554591	17-10	39051	18-4
37723	14-9	39052	18-4

Home	Find...	Go To...		
------	---------	----------	--	--

Part Number	Page Number	Part Number	Page Number
39054	18-4	39154	18-14
39055	18-4	39155	18-14
39056	18-4	39156	18-14
39057	18-4	39158	18-16
39058	18-4, 18-8	39161	18-16
39059	18-4	39162	18-16
39060	18-4	39169	18-26
39061	18-4	39170	18-16
39062	18-4	39171	18-16
39063	18-4	39172	18-16
39065	18-4, 18-8, 18-24, 18-26	39173	18-16
39066	18-4	39174	18-16
39067	18-4	39175	18-16
39073	18-21	39176	18-16
39087	18-6	39177	18-16
39088	18-6	39180	18-18
39089	18-6	39181	18-18
39090	18-6	39186	18-13, 18-18
39093	18-6	39188	18-18
39094	18-6, 18-10	39189	18-18
39096	18-6, 18-12, 18-14, 18-27, 18-28, 18-29	39193	18-13
39097	18-6, 18-8, 18-12, 18-14, 18-20, 18-27, 18-28, 18-29	39194	18-13
39098	18-6	39197	18-13
39099	18-6	39198	18-13
39103	18-8	39199	18-13
39104	18-8	39200	18-13
39105	18-8	39201	18-13
39106	18-8	39202	18-13
39107	18-8	39203	18-13
39109	18-8	39211	18-13
39112	18-8	39212	18-13
39113	18-8	39214	13-22
39114	18-8	39223	18-20
39115	18-8	39274	5-26
39116	18-8	39277	7-7
39117	18-8	39278	5-42
39118	18-8	39312	5-38
39119	18-8, 18-24	39387	18-20
39120	18-8, 18-24	39388	18-20
39121	18-8, 18-24	39389	18-20
39122	18-8	39395	5-17
39123	18-11	39399	18-12, 18-20
39126	18-11	39400	18-20
39127	18-11	39401	18-20
39128	18-11	39458	18-20
39129	18-11, 18-27	39480	18-20
39130	18-11	39481	18-12, 18-20
39138	18-12, 18-28, 18-29	39502	18-22
39139	18-12, 18-28	39508	18-22
39141	18-14	39509	18-22
39142	18-14	39512	18-29
39143	18-14	39513	18-28
39146	18-14	39517	18-21
39147	18-14	39518	18-21
39148	18-8, 18-14, 18-26	39519	18-21
39149	18-14	39520	18-21
39150	18-14	39521	18-21
39151	18-14	39522	18-21
39152	18-14	39523	18-21
39153	18-14	39524	18-21
		39550	13-15
		39551	13-15

CROSS REFERENCE

Part Number	Page Number	Part Number	Page Number
39554	13-15	40231	18-24
39558	13-15	40233	18-24
39559	13-15	40290	18-24
39563	12-12	40354	5-28
39573A	10-10, 11-10, 12-10	40362	5-49, 5-50
39574	10-10, 11-10, 12-10	40400	18-25
39577	10-8, 11-8, 12-8	40401	18-25
39583	10-8, 11-8, 12-8	40402	18-25
39587	5-4, 10-10, 11-10, 12-10	40403	18-25
39590	10-10, 11-10, 12-10	40404	18-25
39597	10-10, 11-10, 12-10	40405	18-25
39598	10-10, 11-10, 12-10	40407	18-25
39612	5-22	40408	18-25
39629	10-10, 11-10, 12-10	40409	18-25, 18-27
39633	18-21	40416	18-29
39635	18-21	40418	18-29
39639	13-22	40420	18-27
39645	18-21	40421	18-27
39676	13-26	40510	5-47
39693-1	12-17	40573	13-21
39693-2	12-17	40585	5-37, 7-8, 8-12, 9-13, 9-6
39703-2	5-4, 15-20, 16-20	40607	5-15
39703-6	5-40	40678	9-6
39713	18-21	40678-1	5-33, 5-34, 8-4, 11-20, 12-24
39743	12-14	41115036	17-12
39744	12-14	41128	5-10
39745	12-14	41151472	17-8
39746	12-14	41158008	17-16
39747	12-14	41178	5-22
39748	12-14	41314089	17-20
39780	10-7, 11-7, 12-7	41342	5-40
39780-1	5-15	41348	5-40
39855	12-12	41358	5-40
39867	7-4	41359	5-40
39870	12-18, 13-39	41424207	17-18
39923	5-20, 5-22	41425781	17-12
39929-2	12-18, 13-17	41430	5-40
39929-3	5-4, 12-18, 13-17	41517	5-40
39934	12-4	41786	18-4
39941	13-34	41787	18-4
39946	12-4	41788	18-4
39957	12-18, 13-39	41789	18-4
39963-1	13-34	41790	18-10
39977	13-34	41791	18-10
39984	13-34	41792	18-10
39987	8-8	41793	18-10
39988	13-34	41794	18-6
40021	18-26	41795	18-6
40032	18-26	41796	18-6
40033	18-26	41796	18-6
40040	18-26	41797	18-6
40079	18-26	41798	18-8
40080	18-26	41799	18-11
40083	18-26	41800	18-12
40111	18-26	41801	18-12
40112	18-26	41802	18-12
40113	18-26	41803	18-12
40159	18-24	41804	18-12
40165	18-24	41805	18-14
40166	18-24	41806	18-16
40203	18-24	41807	18-16
40204	18-24	41808	18-14

Part Number	Page Number	Part Number	Page Number
41809	18-13	44961	5-16
41810	18-13	45333	13-20, 13-21
41811	18-18	45482	5-44, 5-49, 5-50, 11-22, 11-24
41812	18-18	45599	5-18
41813	18-18	45622	5-47, 14-9
41814	18-20	45623	5-47, 14-9
41815	18-22	45743	5-28
41854	18-22	45744	5-28
41857	18-22	45780	13-10, 13-12
41886	18-21	45786	5-32
41926	18-21	46029	5-25
41951	18-21	46087	5-22
41952	18-26	46088	5-22
41953	18-26	46110	13-10, 13-12
41954	18-26	46147	12-12
41955	18-24	46236	5-20, 5-37, 7-8, 9-13, 9-6, 13-10, 13-12, 13-18
41956	18-25	46311	5-30
41957	18-25	46312	5-30
41958	18-27	46313	5-30
41959	18-29	46314	13-5
41960	18-25	46327	10-13, 11-15, 12-13
41961	18-25	46328	10-13, 11-15, 12-13
41962	18-25	46480	5-49, 5-50, 11-22
41963	18-25	46481	5-48
41964	18-25	46485	6-4
41965	18-25	46611	6-4
41966	18-25	46657	5-18
41967	18-27	46800	5-18
41968	18-28	47007	5-30
41969	18-28	47008	5-30
41970	18-28	47010	5-30
41971	18-28	47037	5-4
41972	18-28	47080	5-12
41973	18-28	47178	5-10
41974	18-28	47178-6	6-6
41975	18-28	47356	7-4, 9-6
41976	18-28	47388	6-4, 15-20, 16-20
41977	18-24	47504	10-18, 11-24, 12-21
41978	18-24	47512	5-48
41979	18-24	47513	5-45, 11-22
42120-9	10-6, 11-6, 12-6	47522	10-17, 11-19, 12-23
42124	13-14	47535-1	13-4
42170-36	5-40	47535-1	13-5
42173-1	11-8	47535-1	13-6
42196	9-8	47536-1	13-4, 13-5, 13-6
42212	8-4	47537-1	13-4, 13-5, 13-6
42214	13-20, 13-21	47566	5-37
42224-1	13-24	47579	5-49, 5-50
42224-2	13-24	47585	5-22
42226	5-44, 5-46, 5-48, 8-4, 10-17, 11-19, 12-23	47637	10-17, 11-19, 12-23
42227	5-49, 5-50	47649	14-10, 14-11
42240	5-25	47650-1	5-45, 14-11
42241	5-28	47680	15-17, 15-18, 16-8
42243	5-45	47713-1	13-22
43290	13-28	47713-2	13-22
43363	13-18	47745	5-18
43555	12-18, 13-38, 13-39	47752	10-18, 11-22, 11-24, 12-21
43844	7-8, 8-12, 9-6	47801	5-31
44851	13-18	47826	6-4
44868	10-17, 11-19, 12-23	47878	5-28
44869	5-46, 5-48		

CROSS REFERENCE

Part Number	Page Number	Part Number	Page Number
47879	5-28	51172-1	5-8
47960	5-28	51176	5-40, 9-6
47963	5-28	51193	5-28
47963-1	5-28	51209A	5-18
47974	5-12, 5-13, 12-14	51210	5-18
47989	5-38	51225	5-18, 5-26
47990	5-38	51233	5-8
48048	5-22	51283	5-31
48050	5-30	51299	5-30
48081	5-49	51303	5-25
48088-6	13-17	51304-1	5-25
48108A	5-44, 11-22, 14-16	51305	5-42, 15-4, 16-4
48126	5-37	51311	5-44
48144	5-37	51315	5-16
48252	5-33, 5-34, 12-12, 13-18	51316	5-16
48253	7-8	51317	5-26
48267	5-37	51325	5-8
48342	5-44	51338	5-28, 5-31
48651	5-4, 11-8	51339	5-31
48655	5-42	51340	5-31
48930	5-22	51341	5-31
49026	13-14	51355	5-32, 10-14, 11-16, 12-16, 13-29
49028	13-14	51357	5-32
49195	12-18, 13-17	51360	5-32
49262	13-5	51361	5-32
49263	5-15	51362	5-32
49266	5-8, 5-15, 5-20, 5-33, 5-34, 5-35, 5-47, 13-5, 13-6, 13-8, 13-9, 13-10, 13-12, 13-40	51363	5-30
49287	13-17	51372	5-22, 11-8
49681	5-25	51373	5-28
50011	10-6, 11-6, 12-6	51375-1	5-12
5021-3366-0	18-4	51391	5-26
50467	9-6	51407	13-18
50493	5-25	51414	5-18
50605	5-42	51447-1	5-26
50607	11-12	51448	5-26
50615	13-27	51449	5-26, 5-30
50616	13-15	51452	5-26
51002	5-31	51462	5-26
51021N	5-7	51470	5-30
51036	5-26	51483	5-28
51046	5-26	51487	5-7
51047	5-22	51492	5-26
51059	5-26	51529	5-18, 10-10, 11-10, 12-10
51090	5-4, 5-8	51534	5-18
51091	5-4, 5-8	51542	5-7
51094	5-8	51545	5-28
51096	5-30	51560-1	5-39
51108	5-17	51560-2	5-39
51116	5-17	51560-5	5-39
51116-1	5-17	51562	5-28
51128	5-17	51564	5-26, 5-40
51140	5-22	51567	5-7
51143	5-4, 5-22	51569	13-10, 13-12
51149	5-22	51596	13-18
51151	5-17	51602	13-18
51156	5-17	51606	13-18
51163	5-4, 5-22	51607	13-18
51164	5-4, 5-22	51608	13-18
51172	5-8	51609	13-18
		51611	13-18
		51670	13-18

Part Number	Page Number	Part Number	Page Number
51675	13-18	52062	10-6, 11-6, 12-6
51677	13-18	52115	10-4, 11-4, 12-4
51678	13-18	52163	5-28
51682	13-18	5221-0436-0	18-11
51689	5-40, 7-4, 9-8	52213	5-7
51690	5-40, 7-4, 9-8	52215	13-30, 13-32, 13-34
51691	9-8	52216	13-30, 13-32, 13-34
51692	5-40, 9-8	52217	13-30, 13-32, 13-34
51693	5-40, 9-8	52218	13-30, 13-32, 13-34
51701A	13-22, 13-25, 13-26	52219	13-30, 13-32, 13-34
51705	10-14, 11-16, 12-16, 13-29	52228	13-30
51709	5-7	52230	13-30, 13-32
51711	10-14, 11-16, 12-16, 13-29	52232	13-30
51715	5-45	52233	13-30
51727	13-14	52234	13-30
51728	5-22	52235	13-30, 13-32, 13-34
51768A	5-24	52236	13-30, 13-32, 13-34
51785	5-47	52261	13-30, 13-32, 13-34
51787	5-12	52263	13-30, 13-32
51789	13-18	52276	13-28
51791	13-18	52287	5-7
51792	13-18	52290	5-8
51805	6-4, 8-7, 9-6 12-17	52296	5-8
51870N	5-7	52349	13-30, 13-32, 13-34
51876	5-16	52360	13-20, 13-21
51881	5-4, 5-22	52370	13-18
51883	5-16	52424	6-4
51887	5-7	52433-2	13-20, 13-21
51898	13-30, 13-32, 13-34	52448	13-20, 13-21
51899	13-30, 13-32, 13-34	52450	5-39
51900	13-30, 13-32, 13-34	52458	13-28
51901	13-30, 13-32	52508	13-22
51908	13-30, 13-32, 13-34	52510	6-32
51909	13-30, 13-32, 13-34	52564	10-5, 11-5, 12-5
51912	5-28	52565	10-5, 11-5, 12-5
51914	13-30, 13-32, 13-34	52568	10-5, 11-5, 12-5
51919	13-30	52570	10-5, 11-5, 12-5
51920	13-30	52571	10-5, 11-5, 12-5
51922	13-30, 13-32, 13-34	52575	10-5, 11-5, 12-5
51923	13-30, 13-32, 13-34	52576	10-5, 11-5, 12-5
51928	13-30, 13-32	52577	10-5, 11-5, 12-5
51929	13-30, 13-32, 13-34	52663	5-18
51930	13-30, 13-32, 13-34	52667	5-18
51931	13-30, 13-32, 13-34	52733	5-49
51932	13-30, 13-32, 13-34	52742	5-18
51933	13-30, 13-32, 13-34	52770-2	8-4
51934	5-22	52770-3	8-4
51935	13-30, 13-32, 13-34	52770-5	17-21
51938	5-26	52770-8	7-8, 8-4
51939	5-7	52770-9	5-4, 16-8, 17-24
51950	13-30, 13-32	52770-11	17-14
51963	5-7	52775	5-32, 10-14, 11-16, 12-16, 13-29
51972-i	5-12	52785-1	5-42
51974	13-18	52789	5-25
51975	13-18	52790	5-25
51984	5-26	52814	5-40
51989	13-30, 13-32, 13-34	52843	5-13, 12-14
51995	5-8	52846	5-13
52001	13-22, 13-25	52848	5-13
52012	13-30, 13-32	52849-3	5-13
52036	5-16	52867	5-12
52049	9-8		

CROSS REFERENCE

Part Number	Page Number	Part Number	Page Number
52903	5-37	56690	10-18, 11-24, 12-21
52906	5-38	56692	5-44, 5-48 11-21, 11-22, 13-24
52922	12-18, 13-17	56757	5-44
52924	12-15, 13-17	56811	6-4
52925	5-40	56820	11-22
52929	5-48	56821	5-44, 5-44 11-21, 11-22
52960	5-13, 12-14	56992	5-33
52961	5-13, 12-14	56992	5-34
52992	7-7, 8-9, 9-10	57035	5-48, 14-6
53034-1	5-24	57063	14-6
53400-1	6-4	57064	14-6, 14-8
53400-4	6-4	57912	13-20, 13-21
53697	5-12	57951	5-47
53963A	5-18, 5-22	57988	11-24
53988-12	15-16, 16-18	58056	13-22
53988-13	15-16, 16-18	58120	5-4, 5-39
54007	13-14	58591	9-16
54009	13-14	58858	11-21, 11-24
54012	13-14	58974	13-18
54017	8-11	59118-9	11-12
54027	6-4	59632	5-40
54121	5-20	60090	8-4
54135	13-14	62009	5-14
54217	5-12	62028	13-18
54222	10-5, 11-5, 12-5	62029A	13-18
54271	5-24	62039	13-18
54274	5-24, 5-38 11-12	62041	13-18
54275A	5-24	62042	13-18
54333	5-37, 5-39, 6-4 12-18, 13-17	62045	13-5, 13-18
54492	5-45, 11-20, 12-24	62045	13-8
54742	8-6	62048	7-8
54914	8-4, 9-14	62049-4	8-4
54930	6-4	62050	5-37
55094	13-22	62052	13-22
55190	5-20	62052-1	13-22
55248	5-20, 5-33, 5-34, 5-35, 13-5, 13-6, 13-8, 13-9, 13-10, 13-12, 13-40	62052-3	13-22
55255	5-35, 13-10, 13-12, 13-18	62055	5-13, 12-14
55256	5-35	62063	13-22
55257	5-35	62071A	13-22
55258	5-33	62072A	13-22
55274	13-10, 13-12	62073A	13-22
55286	17-8	62074	13-22
55347	5-22	62076	13-22
55495	5-45, 11-20, 12-24	62079	13-22
55557	5-33, 5-34	62080	13-22
55586	5-50	62095	13-18
55619	5-49, 5-50	62098	13-18
55655-4	5-10	62107	13-32, 13-34
55655-5	5-10	62108	13-32, 13-34
55685	5-48, 13-24	62110-1	13-32, 13-34
55686	5-44, 10-17, 11-19, 12-23	62111	5-4, 5-8 17-4
55696	8-4	62114-1	13-32, 13-34
55740	5-49, 5-50	62115-1	13-32, 13-34
55926	14-4	62116	13-32, 13-34
55929	14-4	62149	13-5, 13-8
55936	14-4	62152	5-8
55977	15-13	62153	5-4, 5-8
55998	6-4	62170	5-13, 12-14
56094	12-18	62170-1	5-13, 12-14
56202	13-15	62170-2	5-13, 12-14
		62172	5-44, 5-45 11-12

Part Number	Page Number	Part Number	Page Number
62173	5-44, 5-45 11-12	65129-1	5-28
62209-1	5-12	65145	5-48, 14-5
62210	5-12	65145-1	5-48
62214	8-8	67029	10-10, 11-10, 12-10
62218	8-4	67515	11-22, 14-16
62280	13-29	67811	11-21
62303	5-18	68106	5-37, 6-4, 8-7, 9-6 12-17
62347	8-6	68176	17-6
62377	8-8	68275	5-12
62378	8-8	68441	10-17, 11-19, 12-23
62433	5-31	68768	5-40
62456	5-31	68870	5-36
62530-1	5-33	68872	5-36, 7-4
62537	5-28	68873	5-36
62538	5-28	69465	5-37
62550	5-44, 14-15	69480	11-20, 12-24
62576B	13-32, 13-34	69491	17-16
62577B-1	13-32, 13-34	69775	13-21
62579-1	13-32, 13-34	70000-6525-9	18-10
62587	10-17, 11-19, 12-23	7167620D	17-26
62595	10-7, 11-7, 12-7	75025	5-47, 14-9
62595-3	5-12	75302	10-10, 11-10, 12-10
62612	5-10	75371	5-22
62614	5-10	75430	5-8
62615	5-10	75575	7-4
62618	5-26	76052	13-24
62619	5-26	76058	5-28
62620	5-26	76131	5-33, 5-34, 9-16
62625	5-26	76147	5-33, 5-34, 9-16
62626	5-26	76290	5-40
62637	5-26	76291	5-40, 8-4
62644	5-8	76319	7-7, 8-9, 9-10
62649-1	5-26	76322	7-7, 8-9, 12-18, 13-39
62650	5-44	76335	5-4, 7-7, 8-9, 9-10
62664	10-13, 11-15, 12-13	76825	9-10
62667	10-13, 11-15, 12-13	76979	9-8
62683	10-13, 11-15, 12-13	77097	10-16, 11-18, 12-22
62697	5-45	77101	5-48, 14-12
62700	5-25	78068	5-40
62701	5-44	82226	5-45
62702	5-25	82573	9-6
62737	5-26	82579	9-6
62757	5-13	82597	9-8
62759	5-13	82685	5-39
62762	5-44	82780	5-50
62792	10-13, 11-15, 12-13	82844	5-46
62794	5-22	83417	17-16
63266	13-4, 13-5, 13-6, 13-7, 13-8, 13-9 13-10, 13-12	84417	17-16
64699	7-4	84992	17-16
65054	5-15	84992A	17-16
65073	5-4, 5-8	84992B	17-16
65076	5-4, 5-8	84992C	17-16
65077	13-32, 13-34	85037	17-16
65079-1	5-4, 5-8	85037A	17-16
65107	5-4, 5-8	85037B	17-16
65114-1	5-28	85037C	17-16
65115-1	5-28	87435	5-38
65121	5-28	87514	13-40
65122	5-28	87536	5-34
65128	5-28	87866	5-34
65129	5-28	87940	18-4
		90990	17-4

CROSS REFERENCE

Part Number	Page Number
92425	17-30
92453	17-30
93005	17-8

CONTENTS

	Page
TENNANT COMPANY LIMITED WARRANTY	20-3
TENNANT COMPANY, TENNANT COMPANY SUBSIDIARIES, AND MAJOR PARTS AND SERVICE LOCATIONS DIRECTORY	20-5



TENNANT COMPANY LIMITED WARRANTY

NEW MACHINES

Tennant Company warrants to the original purchaser for the period stated below that goods manufactured by it will be free from defects of workmanship and material, provided such goods are installed, operated, and maintained in accordance with Tennant Company's written manuals or other instructions. No warranty is made with respect to items supplied by Tennant Company on special order of purchaser. Tennant Company's sole obligation under this Warranty will be to repair and replace, at Tennant Company's option, parts that do not conform to this Warranty.

SIX-MONTH LABOR COVERAGE (U.S.A. AND CANADA ONLY)

For six (6) months in the U.S.A. or Canada, thirty (30) days elsewhere, from date of installation, Tennant Company will, at its option, provide labor for repair, pay for outside repair service, or pay the customer straight time in accordance with Tennant Company's flat rate schedule for particular warranty repairs. After six (6) months, Tennant Company's sole obligation shall be limited to the repair or replacement, at Tennant Company's option, of parts that do not conform to this Warranty according to the schedule below.

BATTERIES AND TIRES

Batteries and tires will be replaced if failure occurs due to defective material or workmanship within ninety (90) days from date of purchase. Thereafter, a pro rata adjustment from date of purchase to twelve (12) months will be made. The pro rata adjustment price of the replacement battery and/or tire will be the Tennant Company current price as of the adjustment request less 1/12th of that price for each month remaining in the twelve (12) month period. This Warranty applies only to batteries and tires purchased from Tennant Company and installed in vehicles used in normal service.

BRUSHES

Brushes that fail due to defective material or workmanship will be replaced on a pro rata basis within the first twelve (12) months of purchase. The replacement price will be calculated by multiplying the current Tennant Company price by the percentage of usable bristle remaining at the time of adjustment.

MACHINE WARRANTY PERIOD

Tennant Company warrants its equipment for a set number of months or for a set number of hours of use, whichever comes first. The warranty periods and hours of use vary depending upon the machine model. The warranty periods for Tennant Company's various machines are:

		SCARIFIERS	
Machine Model	Warranty Period	Machine Model	Warranty Period
G	12 months/500 hours	L2	12 months/500 hours
K4	12 months/500 hours	RS/TLR	12 months/500 hours
KDC	12 months/500 hours		
		SCRUBBERS	
Machine Model	Warranty Period	Machine Model	Warranty Period
465/480	24 months/750 hours	530E	24 months/2000 hours
1465/1480	24 months/750 hours		(except Duramer™ solution and recovery tanks 5 years/5000 hours)
528	24 months/2000 hours		
550	12 months/1500 hours		
550E	12 months/1500 hours		
		SWEEPERS	
Machine Model	Warranty Period	Machine Model	Warranty Period
140/140E	12 months/500 hours	255 Series II	18 months/1500 hours
186	18 months/500 hours	275 Series II	24 months/2000 hours
215	18 months/750 hours	285	24 months/2000 hours
235	24 months/1250 hours	365	24 months/2000 hours
	(except Duramer™ hopper 5 years/5000 hours)	95 GR	24 months/2000 hours
240EH SE	24 months/1750 hours	95	24 months/2000 hours

RECONDITIONED MACHINES

Tennant Company warrants to the purchaser of reconditioned equipment, purchased from Tennant Company, for the period of ninety (90) days from the date of delivery that the purchased equipment will be free from defects of workmanship and material, provided such equipment is operated and maintained according to Tennant Company written manuals or instructions. Tennant Company's sole obligation under this Warranty will be to repair and replace, at Tennant Company's option, parts that do not conform to this Warranty.

No warranty of any kind is extended to equipment that is sold for salvage.

LABOR COVERAGE

For thirty (30) days from date of delivery Tennant Company will, at its option, provide labor for repair, pay outside repair service, or pay the customer straight time in accordance with Tennant Company flat rate schedule for particular warranty repair. After thirty (30) days, Tennant Company's sole obligation shall be limited to the repair or replacement, at Tennant Company's option, of parts that do not conform to this Warranty.

DEMONSTRATOR MACHINES

Demonstrator machines purchased from Tennant Company shall carry one of the following limited warranties:

1. Demonstrator machines purchased without a demonstrator discount carries the same warranty as new machines;
2. Demonstrator machines purchased with a demonstrator discount carries the amount of warranty remaining on the unit from the original delivery date or the same warranty as a reconditioned machine, whichever is greater.

NOTE: Demonstrator machines will always carry a minimum of 30 days labor.

REPAIR PARTS

Repair parts supplied by Tennant Company are warranted against defects for the period stated below. Tennant Company's obligation is limited to the replacement of the warranted part, and Tennant Company shall not be obligated to provide labor (except certain engines also stated below) in installing such part.

ENGINES, SHORT BLOCKS, AND LONG BLOCKS

Manufacturer	Warranty Period	Manufacturer	Warranty Period
Continental	1 year or 1500 hours parts & labor	Perkins	1 year or 1500 hours parts & labor
Kohler	1 year or 1500 hours parts & labor (except Kohler Model K181S -500 hours)	Kubota	1 year or 1500 hours parts & labor
Briggs & Stratton	90 days or 200 hours parts & labor	Wisconsin	1 year or 500 hours parts & labor
Onan	1 year or 1500 hours parts & labor	Ford	1 year or 1500 hours parts only

- Engine part replacements such as water pumps, carburetors, and alternators are warranted for thirty (30) days parts only, no labor.
- Labor is to include only the time it takes to repair an engine. It does not include removal and replacement nor does it include travel time.

MAJOR HYDRAULIC COMPONENTS (PUMPS, MOTORS, CYLINDERS, AND CONTROL VALVES)

Manufacturer	Warranty Period	Manufacturer	Warranty Period
Cessna	1 year parts only	Oilgear	1 year parts only
Char-Lynn	1 year parts only	Gresen	90 days parts only
Victor (Dukes)	1 year parts only	MTE	90 days parts only
Ross	1 year parts only	Barnes	90 days parts only
Vickers	1 year parts only		

- All seal kits and replacement parts are warranted for thirty (30) days parts only.

MAJOR ELECTRIC MOTORS

Manufacturer	Warranty Period	Manufacturer	Warranty Period
Baldor	1 year parts only	Ohio Electric	1 year parts only
General Electric	1 year parts only	HK Porter	1 year parts only

All other repair parts are warranted for thirty (30) days only.

SERVICE LABOR

Labor performed by a Tennant Company service representative shall be warranted for thirty (30) days from the date the repairs are completed. This policy does not cover work performed by any service company, other than Tennant Company, and is restricted to the specific repair operation or component for which a claim is made.

THIS WARRANTY IS EXPRESSLY IN LIEU OF ALL OTHER EXPRESSED OR IMPLIED WARRANTIES INCLUDING THE WARRANTIES OF MERCHANTABILITY AND FITNESS AND OF ALL OTHER OBLIGATIONS AND LIABILITIES ON THE PART OF TENNANT COMPANY, INCLUDING LIABILITIES FOR DIRECT, IMMEDIATE, SPECIAL, INDIRECT, OR CONSEQUENTIAL DAMAGES ARISING OUT OF THE FAILURE OF ANY MACHINE OR PART OF IT TO OPERATE PROPERLY, INCLUDING THE COST OR EXPENSE OF PROVIDING SUBSTITUTE EQUIPMENT OR SERVICE DURING PERIODS OF MALFUNCTION OR NON-USE.

This Warranty cannot be extended, changed, or modified by any representative of Tennant Company.

**TENNANT COMPANY, TENNANT COMPANY SUBSIDIARIES, AND
MAJOR PARTS AND SERVICE LOCATIONS DIRECTORY**

LOCATION

NORTH AMERICA

U.S.A.

CALIFORNIA

Los Angeles Parts and Service Center
1080 N. Kraemer Place
P. O. Box 66068
Anaheim, CA 92806
Phone: (714) 630-0800
FAX: 714-630-6934

GEORGIA

Atlanta Parts and Service Center
5805 Peachtree Corners E. Rd.
Norcross, GA 30092
Phone: (404) 447-1500
FAX: 404-449-0418
Toll free in - FL, MS, AL, TN, KY, NC, SC
Phone: (800) 241-8964

ILLINOIS

Chicago Parts and Service Center
2670 United Lane
P. O. Box 725
Elk Grove Village, IL 60007
Phone: (312) 595-1770
FAX: 312-595-5635

MICHIGAN

Detroit Parts and Service Center
5601 Enterprise Dr.
P. O. Box 927
Warren, MI 48090
Phone: (313) 573-6600
FAX: 313-573-2619

MINNESOTA

Tennant Company, World Headquarters
Minneapolis Factory Customer Services
701 N. Liliac Dr.
Minneapolis, MN 55422
Phone: (612) 540-1315
FAX: 612-540-1437
Mailing Address:
P. O. Box 1452
Minneapolis, MN 55440

PENNSYLVANIA

Philadelphia Parts and Service Center
855 Bethel Avenue
P. O. Box G
Pennsauken, NJ 08110
Phone: (609) 665-2231
FAX: 609-665-4894

TEXAS

Dallas/Ft. Worth Parts and Service Center
1610 111th Street
Grand Prairie, TX 75050
Phone: (214) 647-0801
FAX: 214-641-4011

CANADA

ONTARIO

Toronto Parts and Service Center
7575 Kimbel St., Unit 1, Mississauga
Ontario, Canada L5S 1C8
Phone: (416) 677-8070
FAX: 416-678-0661

SOUTH AMERICA

BRAZIL

Equipamentos Tennant Limitada
Av. Dona Ruyce Ferraz Alvim, 2056
Caixa Postal 226
Diadema - SP - Brazil CEP 09900
Phone: 456-2855
Telex: Cable TENBRACO

ASIA

JAPAN

Fuji-Tennant, Ltd.
Shinjuku Building
8-1, Nishi-Shinjuku, 1-chome
Shinjuku-ku, Tokyo, Japan
Phone: 342-8681
Telex: 781-232-2268 RCA
ATTN: Fuji-Tennant
FAX: (81) 3-342-8685

AUSTRALIA

AUSTRALIA

Tennant Australia
10 Hope Street
Ermington, N.S.W. 2115
Australia
Phone: (2) 858-5811
Telex: AA27393
FAX: (2) 858-1995

EUROPE

NETHERLANDS

Tennant N.V.
Industrielaan 6
5400 AA
Uden, N.B., Netherlands
Phone: (4132) 63955
Telex: 844 50079
FAX: (31) 4132 50008

(continued on following page)

EUROPE CONTINUED

UNITED KINGDOM

Tennant Maintenance Systems, Ltd.
Pool Road
East Molesey
Surrey KT 8 ONH
United Kingdom
Phone: 941-5585
Telex: 8953787
FAX: 9414678

WEST GERMANY

Tennant N.V.
Zweigniederlassung Remscheid
Walter-Freitag-Straße 39
5630 Remscheid 12
West Germany
Phone: 2191-59140
Telex: 08 513 478 TENV D.
FAX: 2191-561436

This is a listing of *major* Tennant Company parts and service centers. Parts and service are also available at many other Tennant Company centers or distributors located around the world. To determine your nearest Tennant Company representative, phone or write the Tennant Company World Headquarters.