



414RS

Suction Sweeper Parts Manual



To view, print or download
the latest manual, visit:

www.tennantco.com/manuals

www.greenmachines.com

Rev. 0 (05-2009)

The information contained within this document conforms wherever possible to The European Machinery Directive 89/392/EEC as amended by Directive 91/368/EEC.

Copyright Applied Sweepers 2004-2006. This document is confidential and the document and copyright therein are the property of Applied Sweepers Ltd.

This document and any information therein may not be used, copied or disclosed to any third party without the prior written authorization of Applied Sweepers Ltd.

When ordering parts from this catalogue, please also provide your dealer with the model number and chassis number of your machine (located on the chassis plate).

Threaded fasteners - Replacement hexagon head screws must be Grade 8.8 metric minimum and socket head screws must be Grade 12.9 metric minimum, except where stated otherwise. All nuts must be Grade 8 minimum. All fasteners should be zinc plated and passivated unless stated otherwise.

Specifications and parts are subject to change without notice.

414RS

Parts Catalogue

Bodywork

Body Panels & Water Tank (from CIN 92)	AS030-10
Front Box Assembly (from CIN 92)	AS025-9a
Front Hose & Brush Covers	AS029-9
Top Cover Assembly (from CIN 92)	AS044-10

Chassis & Transmission

Drive Axle & Chassis	AS005-9A
----------------------	----------

DEA / CSA Option

DEA/ CSA Option - Body Panels	AS046-9a
DEA/ CSA Option - Electrical	AS051-9
DEA/ CSA Option - Hydraulic Drive	AS066-9a
DEA/ CSA Option - Principal Components	AS027-9

Electrical System

Electrical (414 Models)	AS067-10
-------------------------	----------

Engine & Ancillaries

Engine Cooling System (from CIN 98)	AS037-9
Engine, Exhaust & Impeller	AS010-9a
Engine, Fuel & Air System	AS008-9a
Kubota Engine Parts	ENGACCESS

Handles & Controls

Air Filter Bracket	AS063-10
Control Panel (to CIN 116)	AS019-9
Handles & Controls (to CIN 116)	AS018-9
Parking Brake	AS007-10

Hydraulics

Hydraulic Control Block (Series 3 from CIN 108)	AS015-9
Hydraulic System (Series 3 from CIN 108)	AS042-9a

Seat

Enhanced Rear Lighting - Lower (414RS)	AS003-10
Enhanced Rear Lighting - Seat (414RS)	AS004-9
Seat Tow Bar (414RS)	AS002-10
Seat Trailer (414RS)	AS001-9A

Snowplow Option

Snowplow Option	AS023-9
-----------------	---------

Suction System & Brushes

Brush Assembly	AS035-9a
Fan Casing (to CIN 111)	AS034c-8
Filter Bag & Trunking (swing-out bag system)	AS068
Front Hose Assembly	AS069
Remote Brush Lift Option	AS045-9
Suction Nozzle Assembly (from CIN 100)	AS012-10

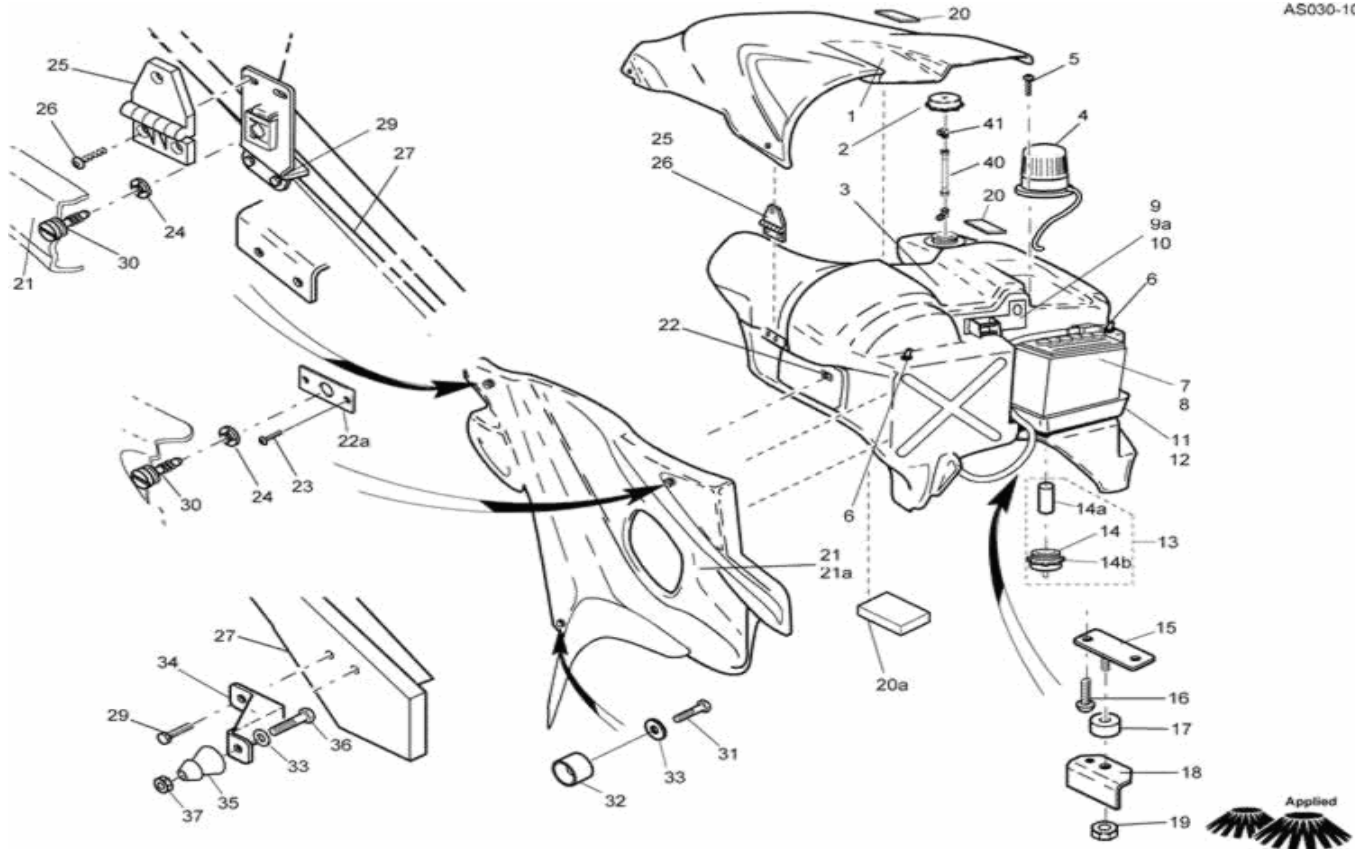
Water System

Water System	AS020-10
--------------	----------

Body Panels & Water Tank (from CIN 92)

Model: **414RS**
 From CIN: **92** To CIN: **999**
 Drawing: **AS030-10** Revision: **A**

AS030-10

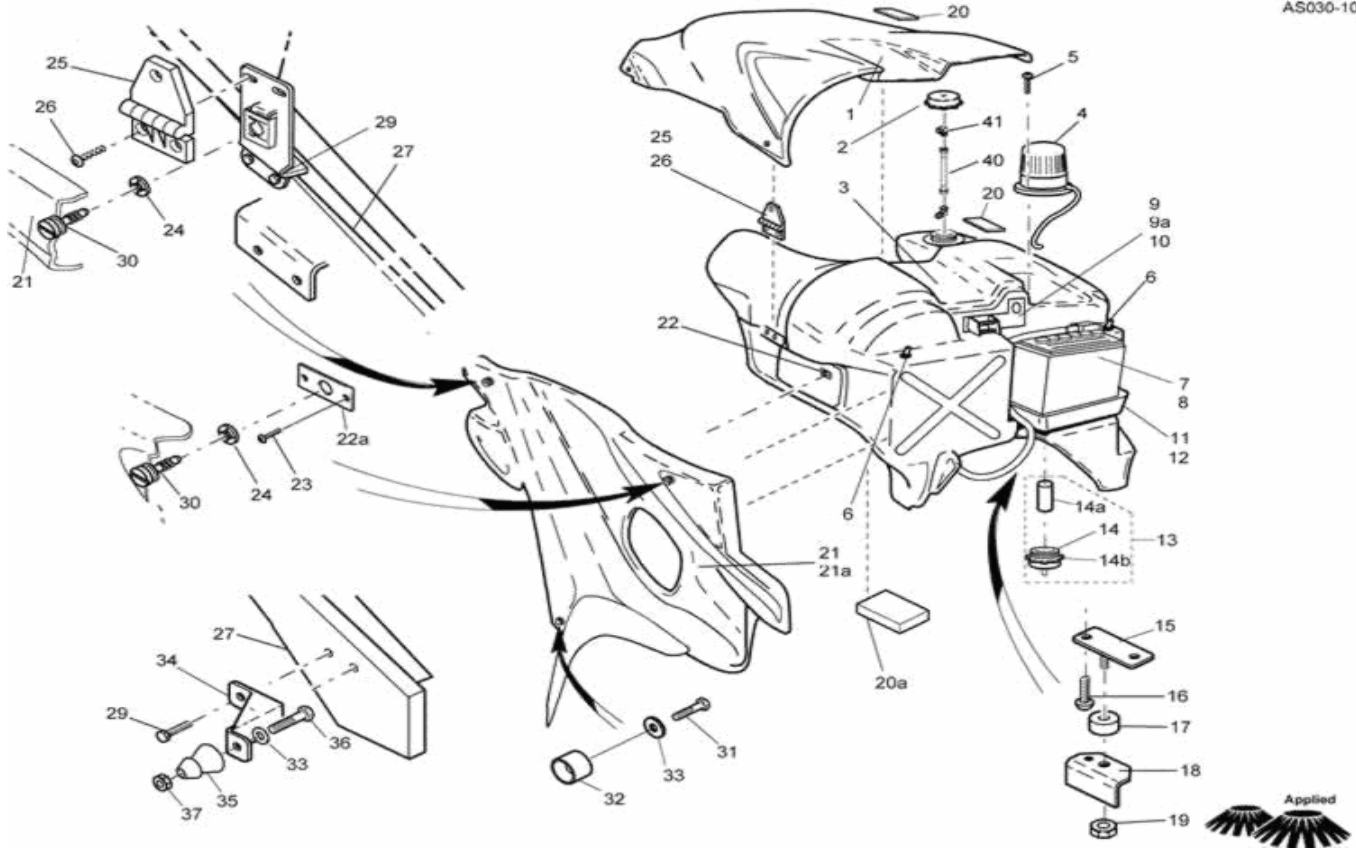


1	CP154 - Top Cover (from CIN 117)	1	17	GG054 - Bush rubber bushing	1
1a	CP122 - Top Cover (CIN 92 to 116)	1	18	CP023 - Bracket - Casing to water tank	1
2	WA037 - Cap for Water Bottle	1	19	GN004 - M8 Locknut - Nylon	1
3	CP121 - Water Tank, Rotomould	1	20	CP051 - Rubber Pad for top cover adjuster	2
4	ES123 - Beacon Assembly	1	20b	CP197 - Seat Box Moulding	1
5	GT193 - M5 x 16 button head screw	3	21	CP126 - Side Panel (CIN 92 to 116)	1
6	CP042 - Stud for front box retention	2	21a	CP150 - Side Panel (from CIN 117)	1
7	EM009 - Battery	1	22	CB689 - Recepticle, TR/HS	1
8	EM010 - Battery Acid Pack	1	24	GG148 - Retaining washer - plastic	1
9	CB320 - Bracket, Front Box Lock	1	25	CP041 - Hinge for top cover	1
9a	CB564 - Bracket, front box lock	1	26	GT050 - M8 x 16 Button Head Screw	6
10	GT222 - M5 x 8 buttonhead screw	2	29	GT203 - M6 x 12 Hex Flanged Sheet Metal Screw	1
11	CP028 - Tray for battery	1	30	GG146 - Knurled panel screw	4
13	WA036 - Drain Cap Assembly	1	31	GT090 - M6 x 12 Hex Screw	1
14	WA037 - Cap for Water Bottle	1	32	GG044 - Door Stop - female	1
14a	WA041 - Strainer - Drain Cap	1	33	GW038 - M6 Flat Washer	1
14b	WA011 - Coupling, quick release	1	34	CB371 - Bracket - side panel lower fixing	1
15	CB406 - Bracket	1	35	GG033 - Door Stop - male	1
16	GT054 - M8 x 20 Button Head Socket Screw	2	36	GT229 - M6 x 30 Button Head screw	1

Body Panels & Water Tank (from CIN 92)

Model: 414RS
 From CIN: 92 To CIN: 999
 Drawing: AS030-10 Revision: A

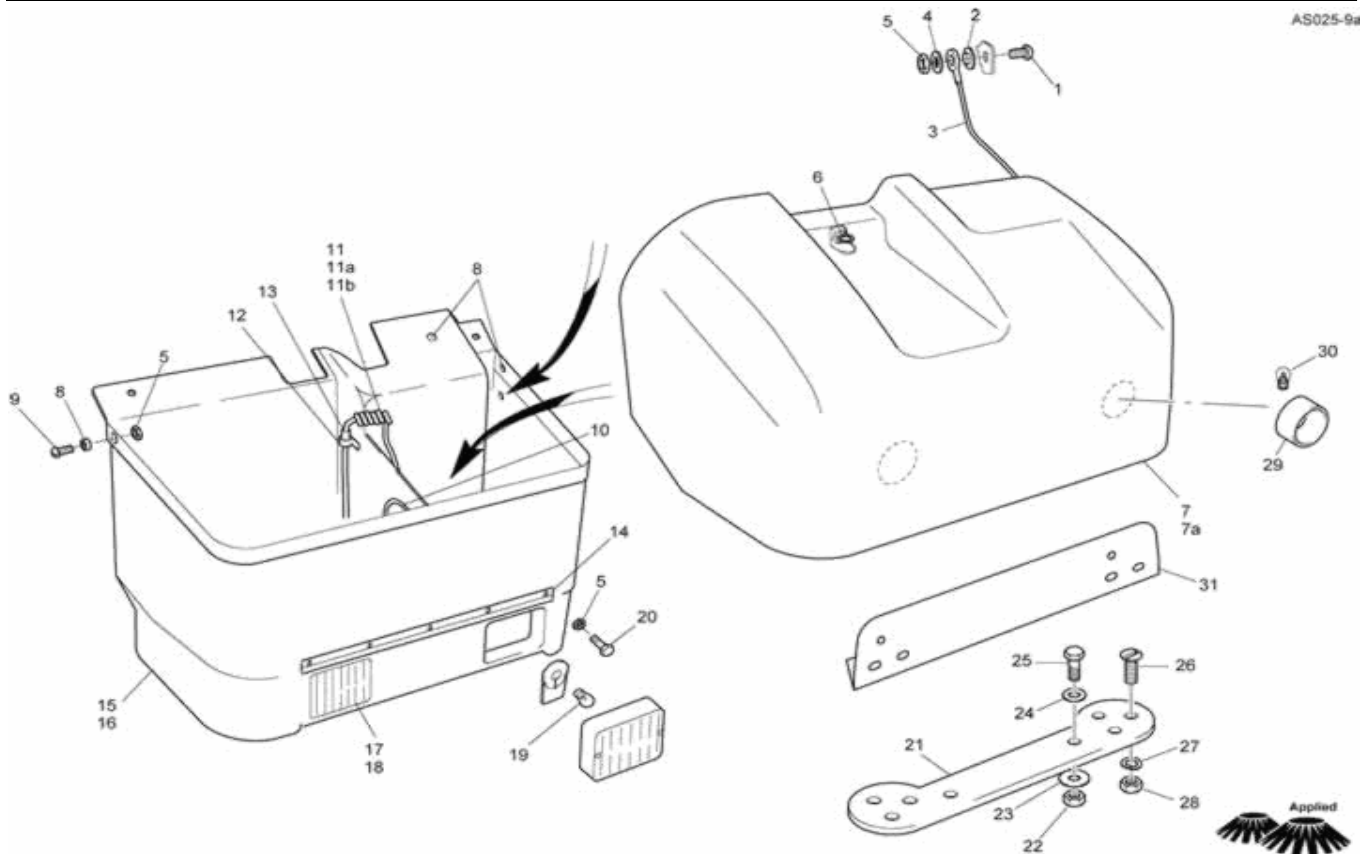
AS030-10



37	GN011 - M6 Locknut - Nylon	2
39	GG147 - Slip on receptacle	1
40	PC081 - Water Level Tube	1
41	CP090 - 1/8 Elbow	1

Front Box Assembly (from CIN 92)

Model: **414RS**
 From CIN: **92** To CIN: **999**
 Drawing: **AS025-9a** Revision:

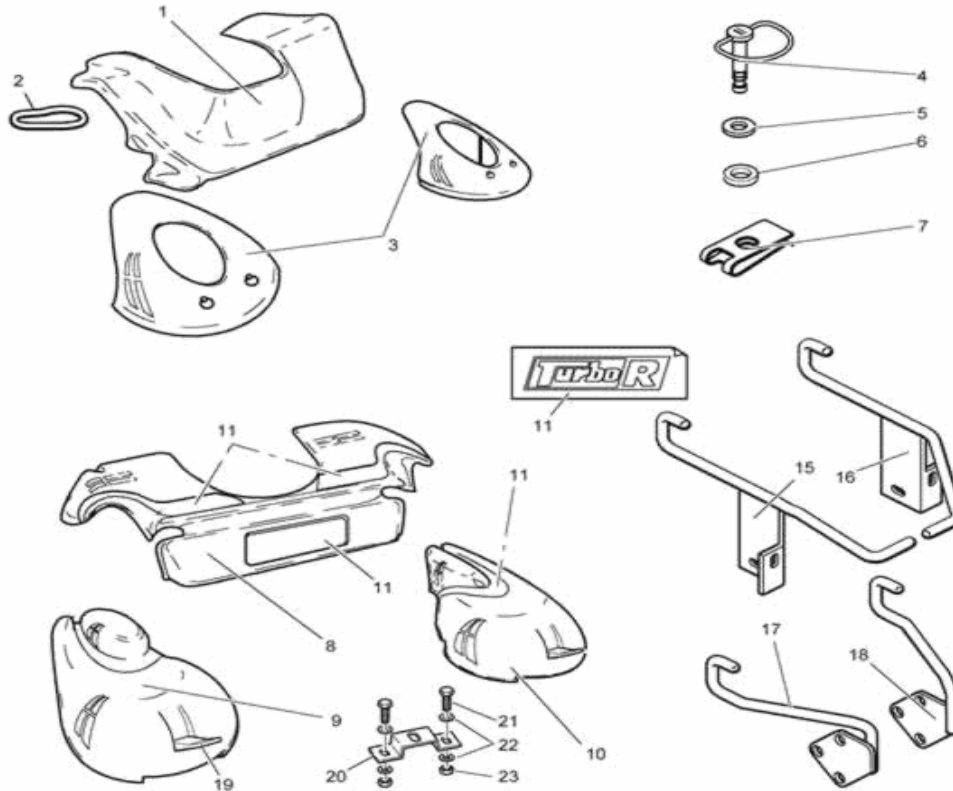


1	GT136 - M5 x 20 Button Head Screw	6	19	ES032 - Bulb 12V 21W	2
2	GG078 - Washer - top hat	2	20	GT112 - M5 x 16 Button Head Screw	2
3	GG034 - Restraining Cable	1	21	MA620 - Mounting plate, for 424HS or 424TR eq	1
4	GW008 - M5 Flat Washer	5	22	GN011 - M6 Locknut - Nylon	2
5	GN006 - M5 Locknut - Nylon	5	23	GW011 - Washer 1	2
6	GG204 - Tailgate Lock	1	24	GW031 - Washer M6 Form C	2
7	CP134 - Front Box Lid	1	25	GT027 - M6 x 20 Hex Screw	2
7a	CP156 - Front Box Lid HS/TR Indicators	1	26	GT199 - M5 x 16 countersunk socket screw	4
9	GT193 - M5 x 16 button head screw	3	27	GW008 - M5 Flat Washer	4
11	EW039 - Wiring Loom for front lights	1	28	GN006 - M5 Locknut - Nylon	4
11a	EW130 - Wiring Loom, 424TR without indicators	1	29	ES127 - Front Turn Signal Light (424HS)	2
11b	EW117 - Wiring Loom, TR/HS with indicators	1	30	ES133 - Turn Signal Bulb	2
13	ES025 - Plug only for front lights	1	31	CB664 - Mounting Plate DEA HS	1
14	GG057 - Piano Hinge	1			
14a	GT051 - M5 x 16 Hex Screw	9			
15	CP138 - Front Box Base, RS (from CIN 92)	1			
16	CP137 - Front Box Base, S2D rotomould	1			
17	ES047 - Light - front (414RS, 424TR, 424HS)	2			
18	AE030 - Front Light assembly (414S2D only)	2			

Front Hose & Brush Covers

Model: **414RS**
 From CIN: **54** To CIN: **999**
 Drawing: **AS029-9** Revision:

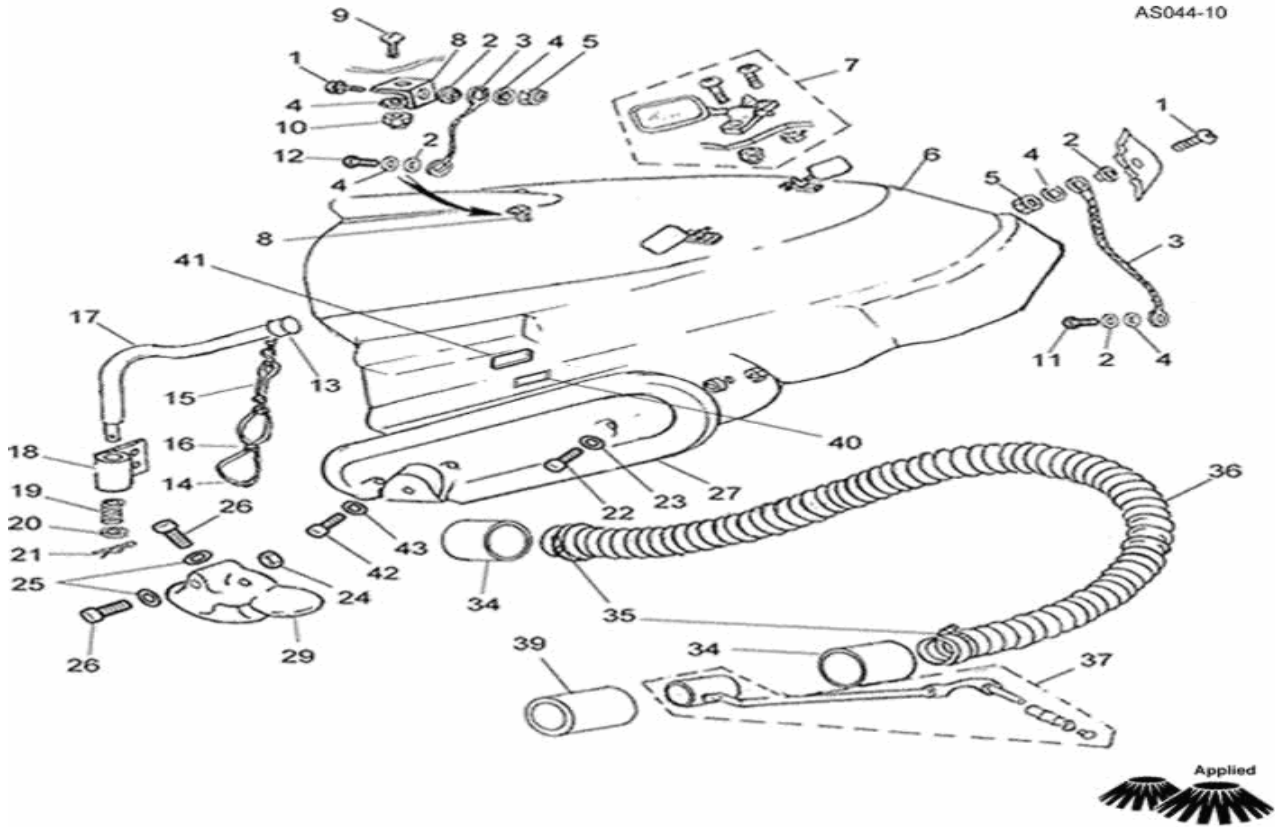
AS029-9



1	CP052 - Front Hose Cover S2D/RS/TR	1	21	GT028 - M8 x 20 Setscrew	4
2	CP054 - Fastener Rubber	2	22	GW041 - M8 Washer Form A	8
3	CP139 - Brush Cover S2D/RS/TR	2	23	GN004 - M8 Locknut - Nylon	4
4	GG110 - Ring Head Stud - 17 mm	4			
5	GG055 - Plastic Washer (6mm)	4			
6	GG041 - Retainer Washer - steel	4			
7	GG042 - Slip on receptacle	4			
8	CP125 - Front Hose Cover, HS/Turbo R	1			
9	CP164 - Brush Cover Assy. Right Side, 424HS/T	1			
10	CP165 - Brush Cover Assy. Left Side, 424HS/Tu	1			
12	GG158 - Knurled panel screw - 5.8 dia. x 21.9	4			
13	GG129 - Retaining Washer - stainless steel	4			
14	GG074 - Clip on receptacle	4			
15	CB425 - Bracket, Right hand	1			
16	CB424 - Bracket, Left hand	1			
17	CB435 - Bracket, Right hand - brush cover mou	1			
18	CB434 - Bracket, Left hand - brush cover moun	1			
19	GG173 - Swell latch	2			
20	CB649 - Bracket, brush mounting	2			

Top Cover Assembly (from CIN 92)

Model: **414RS**
 From CIN: **92** To CIN: **999**
 Drawing: **AS044-10** Revision:

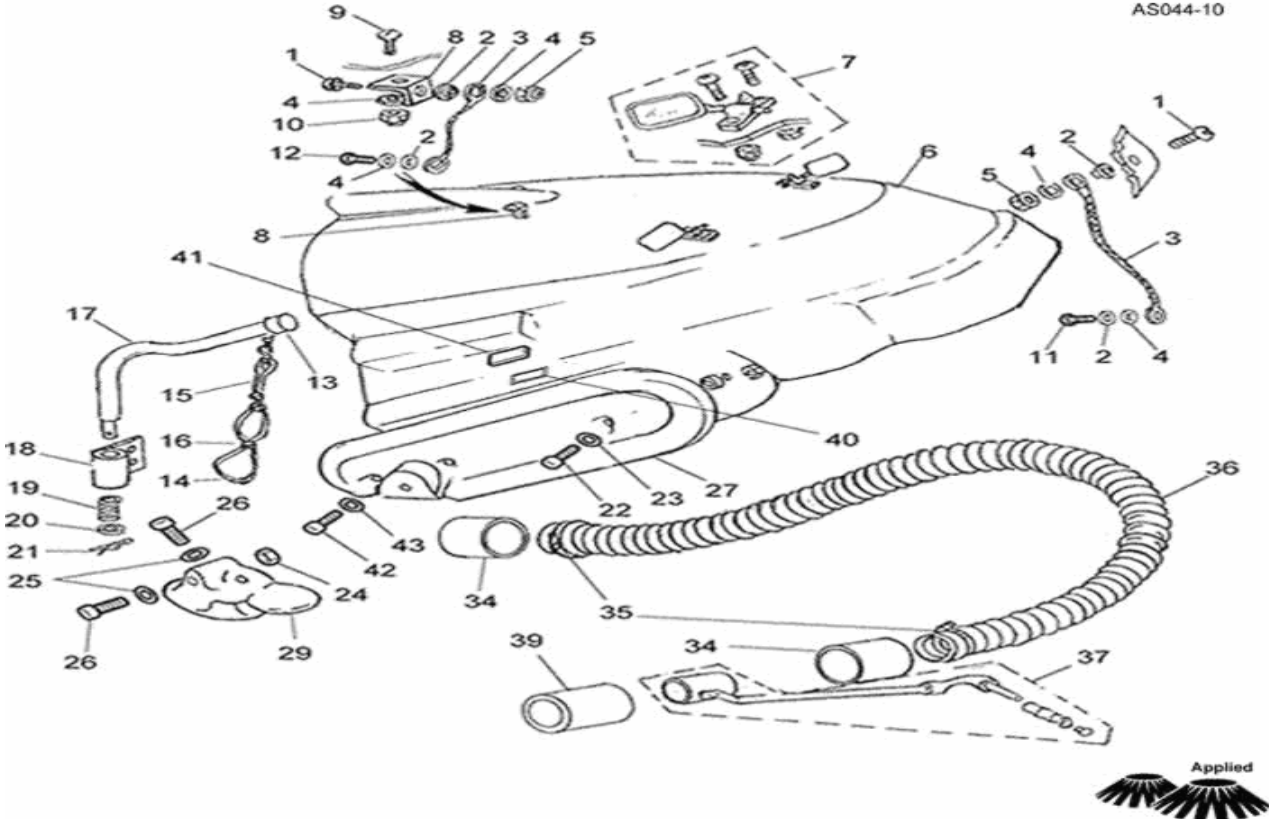


1	GT136 - M5 x 20 Button Head Screw	4	19	AW083 - Spring for whoosh boom return	1
2	GG078 - Washer - top hat	4	20	GW051 - M12 Washers Form A	1
3	GG034 - Restraining Cable	2	21	BB028 - R Pin	1
4	GW008 - M5 Flat Washer	6	22	GT025 - M6 x 35 Hex Screw	1
5	GN006 - M5 Locknut - Nylon	4	23	GW031 - Washer M6 Form C	1
6	CP122 - Top Cover (CIN 92 to 116)	1	24	GN004 - M8 Locknut - Nylon	2
6a	CP154 - Top Cover (from CIN 117)	1	25	GW021 - Washer, M8 x 25	2
7	MA001 - Wing Mirror	2	26	GT089 - M8 x 35 Hex Setscrew	2
8	CP043 - Bracket for box retention strap	1	27	AW092 - Whoosh hose carrier	1
9	GT054 - M8 x 20 Button Head Socket Screw	1	29	CP119 - Male Hose Carrier, Whoosh	1
10	GN004 - M8 Locknut - Nylon	1	31	GT025 - M6 x 35 Hex Screw	1
11	GT119 - 8 x 3/4 self-tapping screw	1	32	GW031 - Washer M6 Form C	6
12	GT193 - M5 x 16 button head screw	1	33	GT135 - M6 x 16 Hex Screw	2
13	AW050 - Plastic cap for whoosh boom end	1	34	AW040 - Rubber band for whoosh hose	2
14	AW009 - Rubber fastener for whoosh hose	1	35	GG086 - Hose Clamp (110mm to 140mm)	2
15	GM154 - Snap Clip	1	36	AW053 - Whoosh hose	1
16	PG008 - O Clip - 1/2 in.	1	37	AW136 - Woosh Handle Assembly (414 from CIN 1	1
17	AW013 - Boom arm for whoosh	1	39	AW006 - Rubber End Cuff for Whoosh Hose	1
18	AW012 - Bracket for whoosh boom	1	40	GG172 - Adjustable Catch	1

Top Cover Assembly (from CIN 92)

Model: 414RS
 From CIN: 92 To CIN: 999
 Drawing: AS044-10 Revision:

AS044-10



40a	CB858 - Reinforcing plate - Top Cover	1
41	CP051 - Rubber Pad for top cover adjuster	1
42	GT135 - M6 x 16 Hex Screw	2
43	GW031 - Washer M6 Form C	2

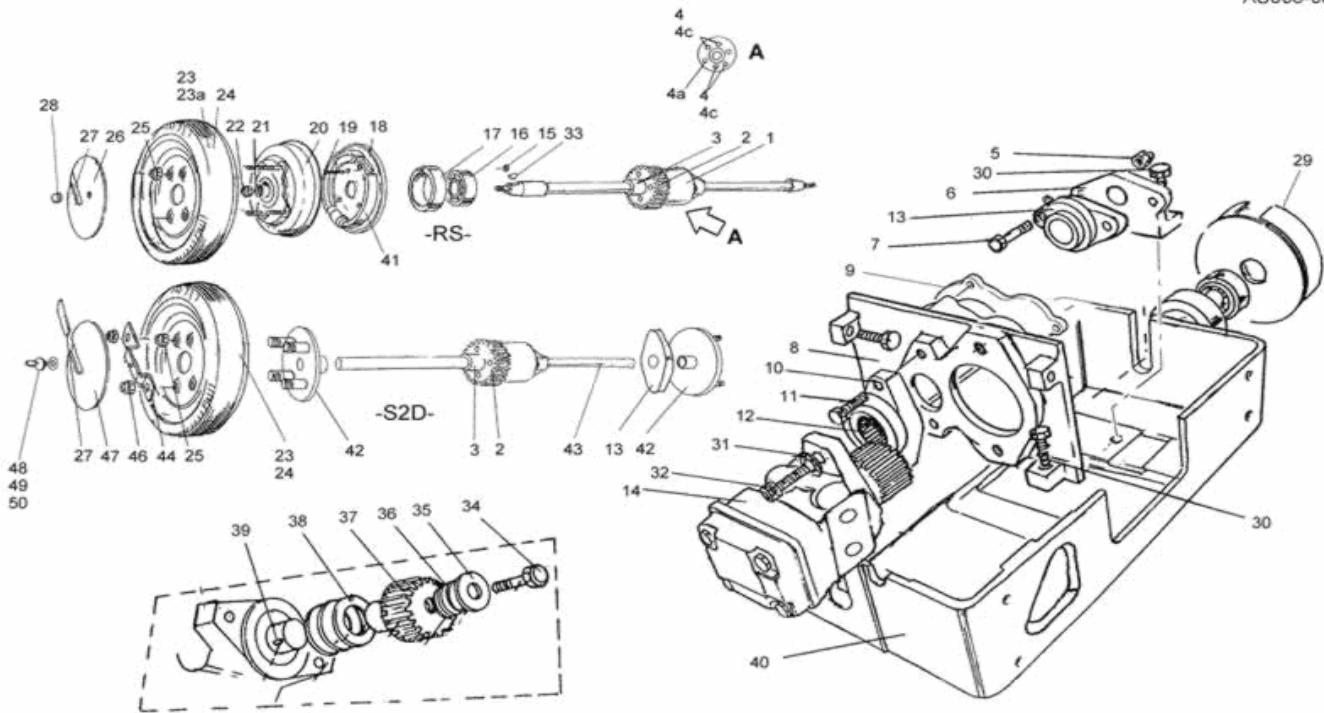
Drive Axle & Chassis

Model: **414RS**

From CIN: **86** To CIN: **999**

Drawing: **AS005-9A** Revision: **A**

AS005-9a



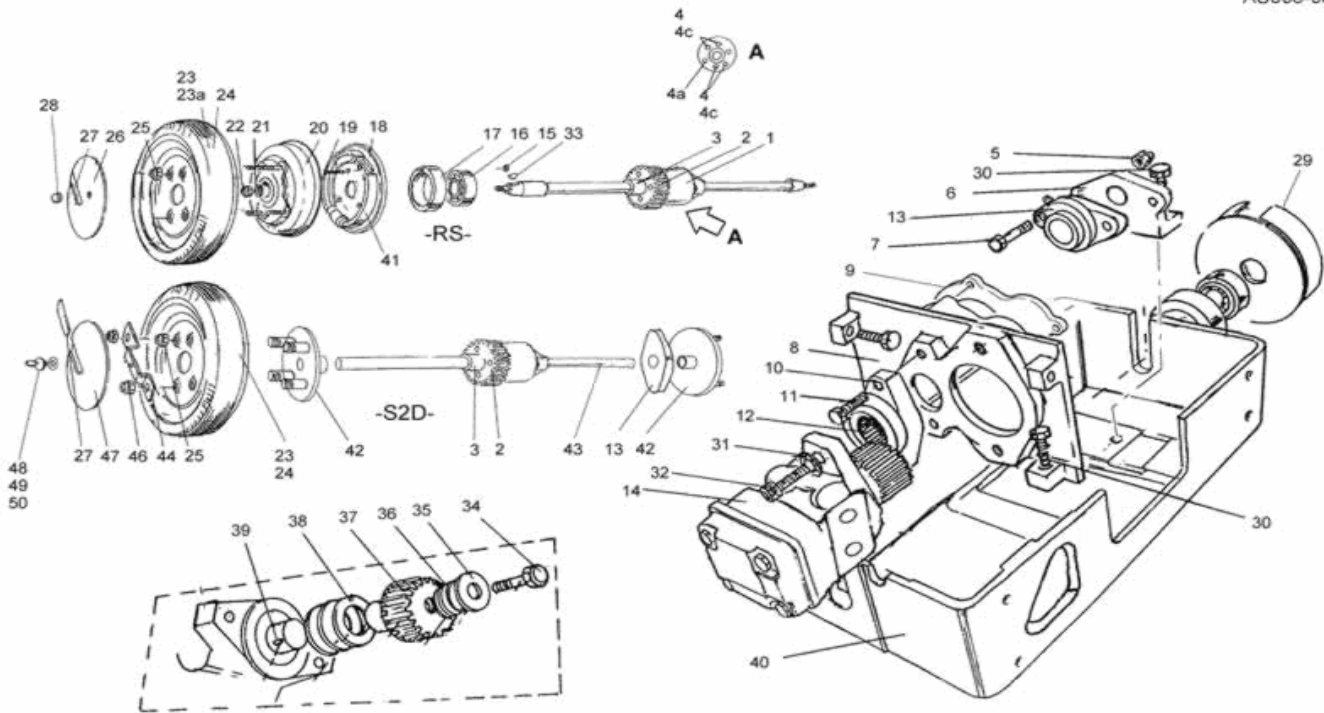
- 1 -- TT038 --Differential only
- 1a --TT043- Axle Assembly (414RS and 424TR)
- 1b --TT052- Differential c/w Extended sleeves (HS only)

1 TT038 - Differential	1	15	GN004 - M8 Locknut - Nylon	6	
1a TT043 - Axle Assembly (414RS, 424TR, 424HS)	1	16	MA057 - Bearing, heavy duty	2	
1b TT052 - TT052 - Differential Assembly, HS - E	1	17	MA058 - Housing for bearing	1	
2	TT044 - Drive Gear & bolts kit	1	18	MA309 - Brake Back Plate - right side	1
3	TT019 - Inner Ring	1	19	GT251 - M8 x 45 sockethead capscrew	6
4	GT177 - 5.16th UNF x 3.75 in. Hex Bolt - SAE	4	20	MA003 - Brake Drum	2
4a	GT191 - 5.16th UNC x 2 in. Hex Bolt - SAE Gra	2	21	MA061 - Washer, form a 36 o/d 12.7 i/d	2
4c	GW006 - Washer, 5/16	4	22	GN047 - M12 Locknut - Prevailing Torque (Phil	2
5	GN019 - M10 Locknut - Nylon	2	23	TW003 - Main Wheel/Tire(414S2D/RS/424TR)-non-	2
6	CA016 - Bracket, for Heavy-duty Bearing	1	23a	TW035 - Main Wheel/Tire(424HS) - Puncture Res	2
7	GT093 - M10 x 40 Hex Screw	2	24	TW034 - Main Wheel/Tyre(414S2D/RS/424TR)-Punc	2
8	CA071 - Cross brace for chassis (from CIN 85)	1	25	GN017 - Wheel Nut 3/8	8
9	CA113 - Cover Plate for gearbox	1	26	TW020 - Wheel Cover	2
10	CA030 - Bearing housing	1	28	GN034 - M12 Dome Nut (Acorn)	2
11	GT049 - M8 x 25 Hex Screw	2	29	MA310 - Brake Back Plate - left side	1
12	TT018 - Needle Bearing	1	30	GT086 - M10 x 25 Hex Screw	6
13	TT004 - Bearing - self aligning	1	31	GW049 - M12 Schnorr Lockwasher	2
14	HM019 - Hydraulic Drive Motor - 414S2D, 414RS	1	32	GT271 - M12 x 40 Socket Cap Screw	2
14a	HM029 - Hydraulic Drive Motor, T Type 60cc	1	33	MA125 - Woodruff Key	2

Drive Axle & Chassis

Model: **414RS**
 From CIN: **86** To CIN: **999**
 Drawing: **AS005-9A** Revision: **A**

AS005-9a

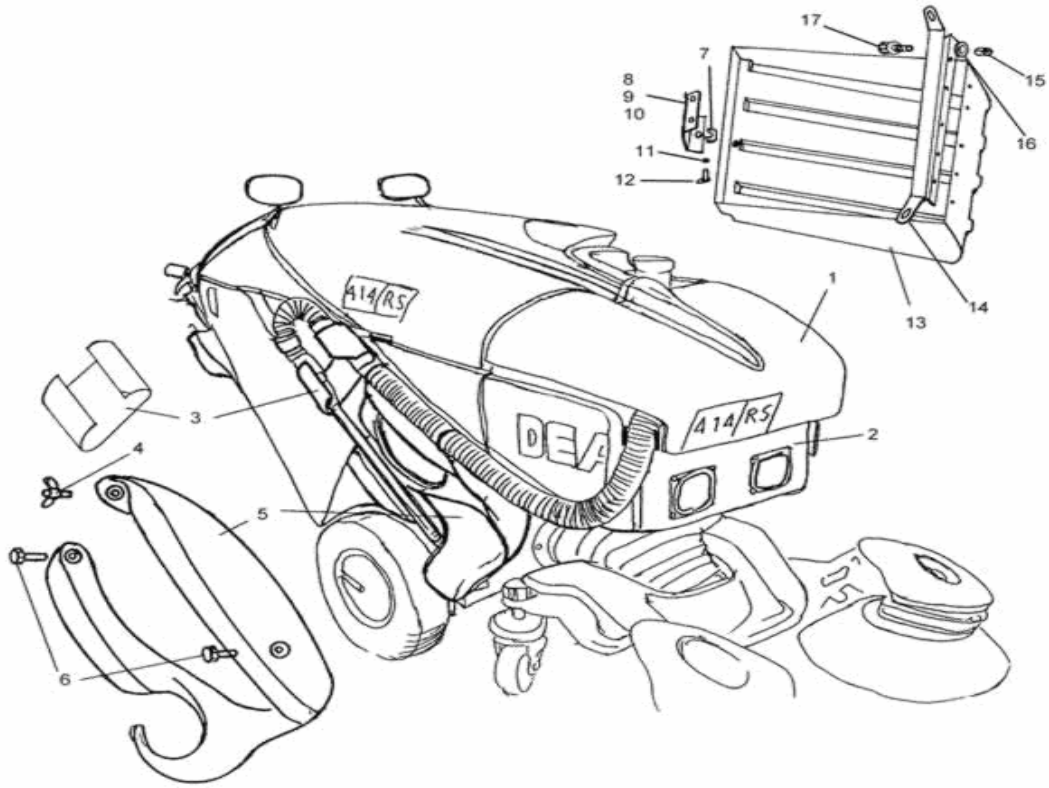


34	GT049 - M8 x 25 Hex Screw	1
37	TT009 - Pinion Gear	1
40	CA077 - Chassis (Steel)	1
41	MA322 - Brake Shoes	1
42	TT008 - Wheel Hub Assembly	2
43	TT041 - Differential	1
44	TW014 - Bracket for wheel cover	2
45	GG042 - Slip on receptacle	2
46	GN014 - 3/8 UNF Locknut - nylon	4
47	TW015 - Wheel Cover	2
48	GG055 - Plastic Washer (6mm)	4
49	GG048 - Ring Head Stud - 14 mm	2
50	GG041 - Retainer Washer - steel	2

DEA/ CSA Option - Body Panels

Model: 414RS
From CIN: 92 To CIN: 999
Drawing: AS046-9a Revision:

AS046

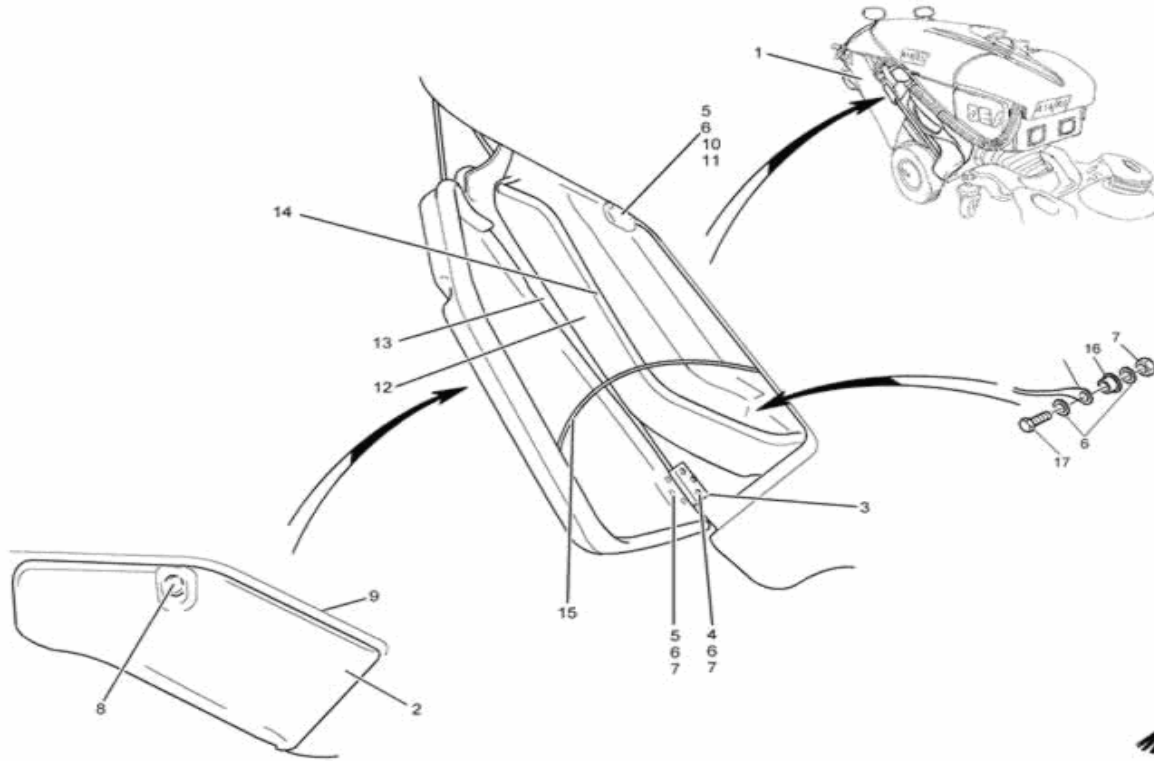


1	CP118 - Front Box Lid, DEA	1
1a	CP161 - Front Box Lid HS/TR DEA (Indicators)	1
2	CP086 - Headlight Panel	1
3	AW110 - Hose bracket (for DEA / CSA)	1
4	GG125 - Screw, wing type	1
5	CP160 - Lance Storage Cover, HS DEA	1
6	GT193 - M5 x 16 button head screw	2

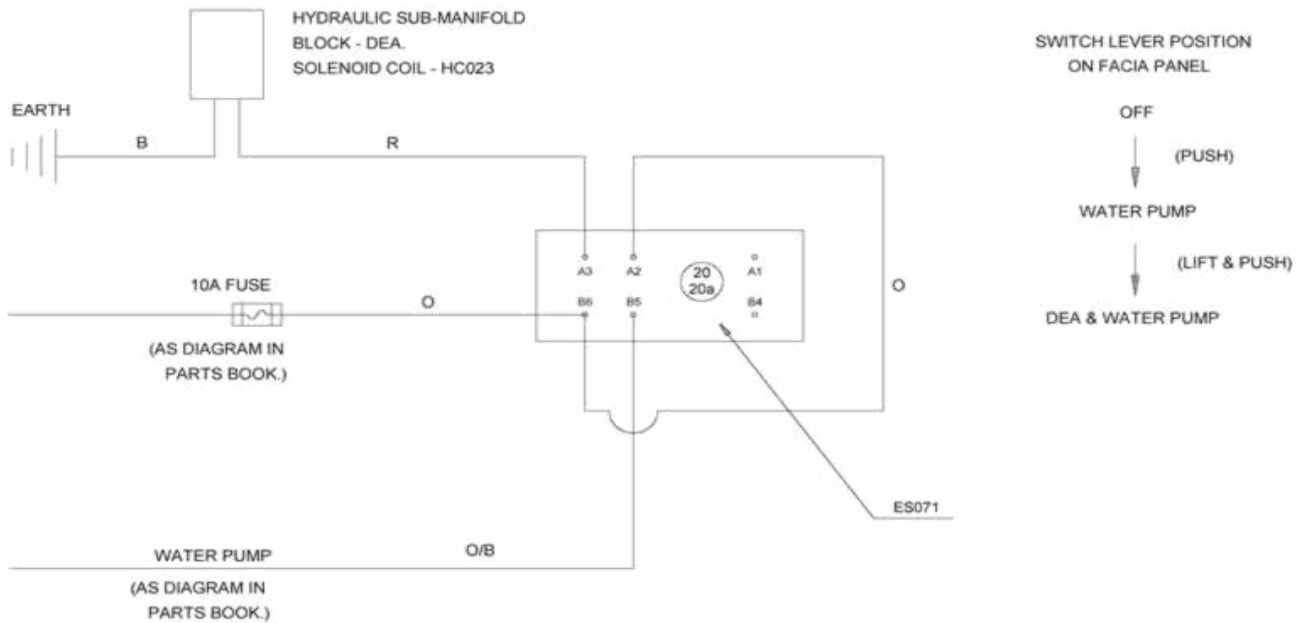
DEA / CSA Option - Storage Box

Model: **414RS**
 From CIN: **117** To CIN: **999**
 Drawing: **AS040-9** Revision:

AS040



1	CP159 - Side Storage Panel,	1
2	CP141 - Door, Side Storage Panel	1
3	GG112 - Hinge, 63 mm	2
4	GT199 - M5 x 16 countersunk socket screw	6
5	GT193 - M5 x 16 button head screw	6
6	GW008 - M5 Flat Washer	0
7	GN006 - M5 Locknut - Nylon	6
8	GG204 - Tailgate Lock	1
9	GG167 - Body Trim, 1.2 metres	1
10	AD039 - Hinge Catch	1
11	GT075 - M5 x 12 Hex Screw	2
12	CP142 - Panel, Storage Retaining	1
13	GT143 - Poppet Fastener	6
15	GG034 - Restraining Cable	1
16	GG078 - Washer - top hat	2
17	GT136 - M5 x 20 Button Head Screw	2



NOTE
 THE WATER PUMP SINGLE POLE SWITCH
 USED ON A STANDARD MACHINE IS
 REPLACED WITH A DOUBLE POLE SWITCH
 C/W LOCKING DETAIL. THE WIRING DETAIL
 ARE SHOWN ABOVE.

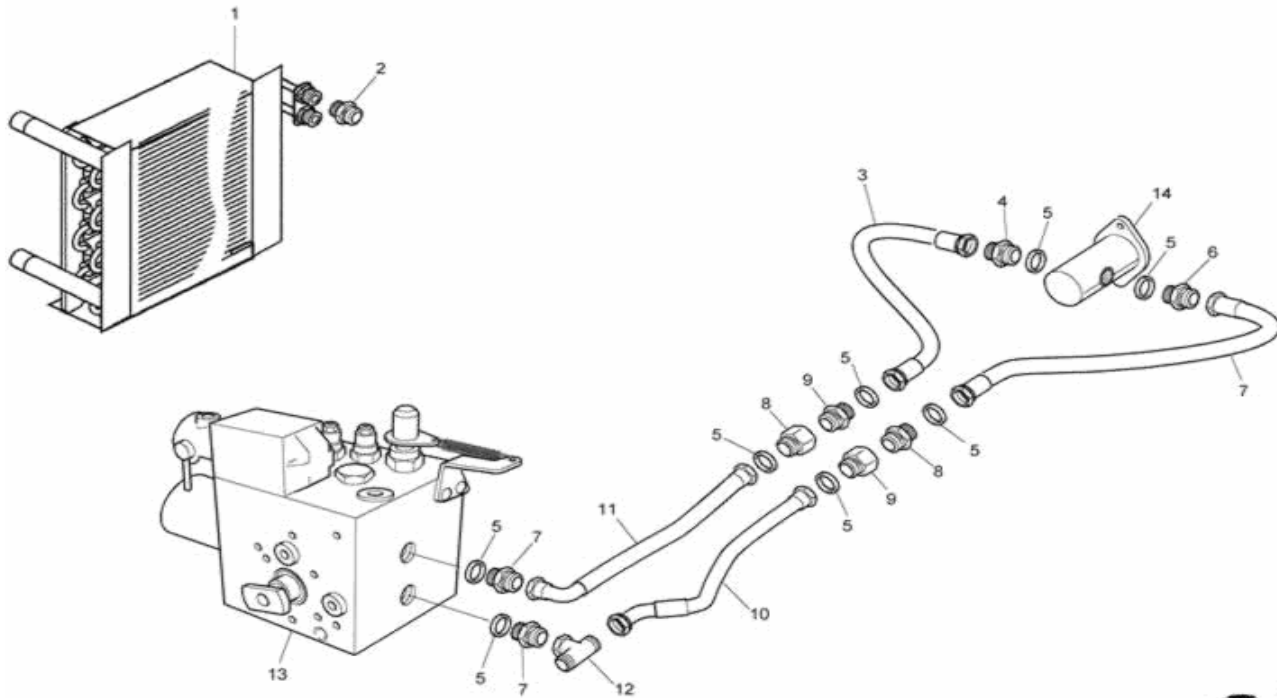


72	ES134 - Bulb for Turn Signal Indicator (Panel	1
73	ES154 - Indicator Switch	1
74	ES153 - Switch - lights	1
75	ES151 - Flasher Unit Indicator Warning	1
75	ES151 - Flasher Unit Indicator Warning	1
76	ES156 - Horn button	1
78	ES127 - Front Turn Signal Light (424HS)	2
78a	ES133 - Turn Signal Bulb	2
79	ES147 - Rear Light / Turn Signal (424HS)	2
79a	ES155 - Rear Light (424TR)	2
79b	ES150 - Light Bulb (Rear light 424TR, 424HS)	2
79c	ES133 - Turn Signal Bulb	2
81	EW116 - Wiring Loom, Ancillary Hydraulic Blo	1
83	EW117 - Wiring Loom, TR/HS with indicators	1
87	ES159 - Switch - high/lo speed or DEA (424 Se	1
88	EH023 - Hourmeter (414 from CIN 117) and all	1

DEA/ CSA Option - Hydraulic Drive

Model: **414RS**
 From CIN: **1** To CIN: **999**
 Drawing: **AS066-9a** Revision:

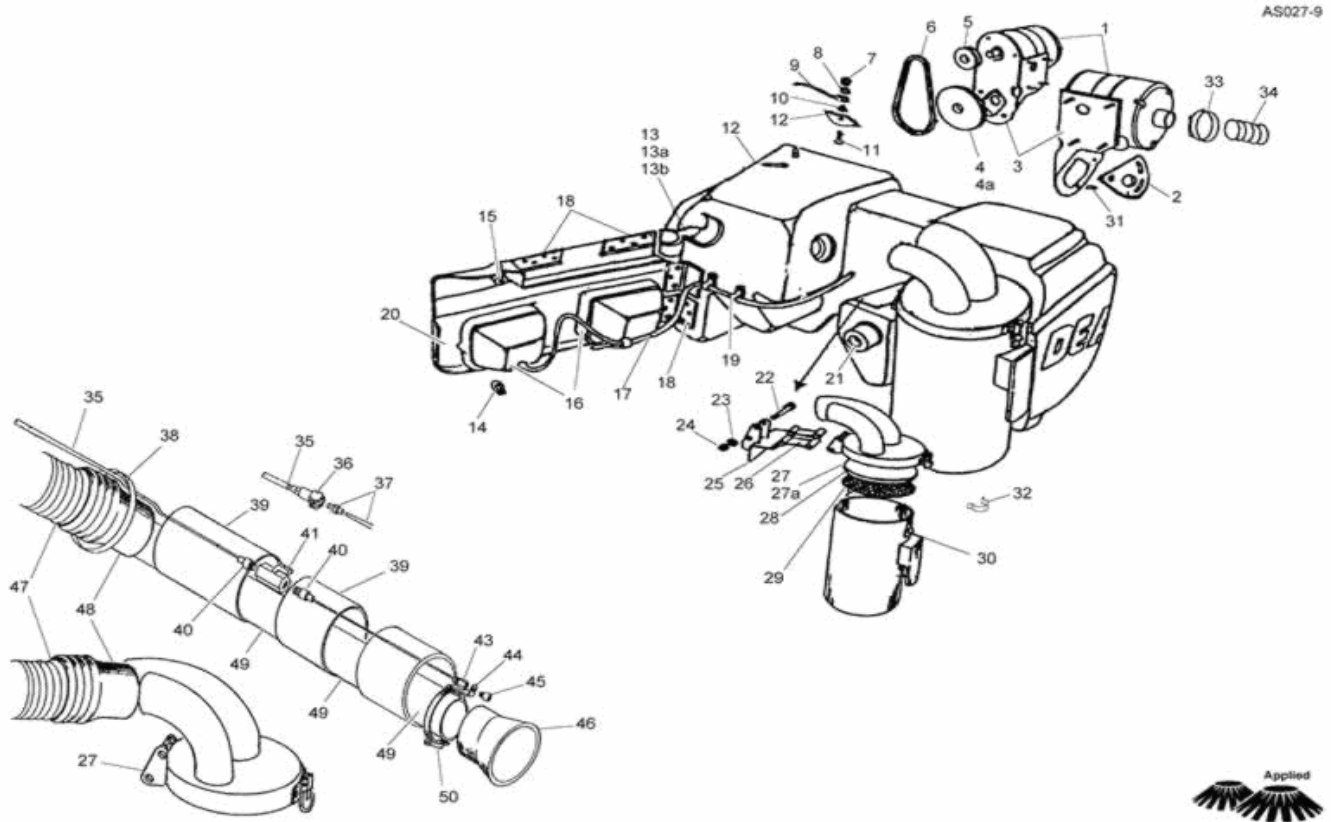
AS066-9



1	PC082 - Radiator / Oil Cooler Assy.	1
2	HF007 - Coupling 3/8	1
3	HJ077 - Hose Assy, 1/4	1
4	HF042 - Hydraulic Adaptor Coupling - 3/8 Male	1
5	HF010 - Hydraulic Bonded Seal - 3/8 BSP (16mm	8
6	HF006 - Hydraulic Stud Coupling - 3/8 Male to	1
7	HJ074 - Hose Assy. 3/8	1
8	HF054 - Hydraulic Quick-Release Coupling - Fe	2
9	HF053 - Hydraulic Quick Release Coupling - Ma	2
10	HJ135 - Hose Hyd. 3/8 Q/R / block T	1
11	HJ133 - Hose hyd. 1/4 block dea / q/r	1
12	HF072 - Coupling Tee 3/8	1
13	HC098 - Hydraulic Block - main	1
14	HM026 - Hydraulic Motor	1
15	HV027 - Solenoid Valve with coil - DEA	1

DEA/ CSA Option - Principal Components

Model: **414RS**
 From CIN: **1** To CIN: **999**
 Drawing: **AS027-9** Revision:

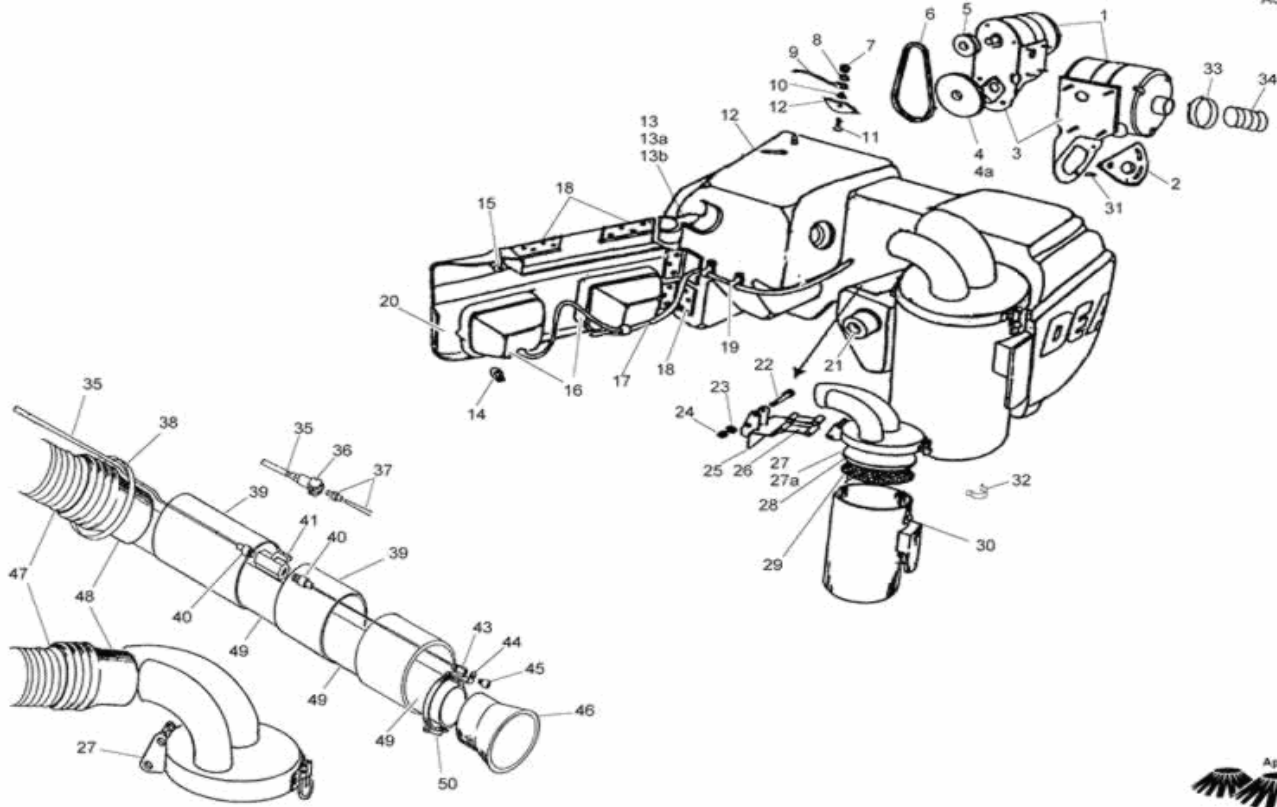


1	VF052 - Vacuum Fan, RSA	1	20	CP086 - Headlight Panel	1
2	CB287 - Bracket - hydraulic motor mounting	1	21	GG044 - Door Stop - female	1
3	CB285 - Bracket	1	22	GT067 - M8 x 70 Bolt	4
4	TC013 - Pulley, large	1	23	GW041 - M8 Washer Form A	4
5	TC010 - Pulley, small	1	24	GN004 - M8 Locknut - Nylon	4
6	TC011 - Drive Belt	1	25	AD030 - Bracket	1
7	GN006 - M5 Locknut - Nylon	2	26	CB276 - Link Arm	2
8	GW008 - M5 Flat Washer	2	27a	AD038 - Lid Assembly, DEA/CSA	1
9	GG034 - Restraining Cable	1	28	AD025 - Filter	1
10	GG078 - Washer - top hat	2	29	AD029 - Seal	1
11	GT136 - M5 x 20 Button Head Screw	1	30	CB353 - Canister - large (440mm)	1
12	CP116 - DEA/CSA Mounting Moulding	1	31	GB023 - Nylon Boss	1
13a	GN011 - M6 Locknut - Nylon	2	32	AD037 - Spring Retainer	1
13b	GW031 - Washer M6 Form C	2	33	GG123 - Hose Clamp (55 to 70 mm)	1
14	ES032 - Bulb 12V 21W	2	34	AE062 - Hose - suction pump to canister	1
15	GG033 - Door Stop - male	1	35	WA040 - Tubing - Nylon - 6mm outside diameter	0
16	ES047 - Light - front (414RS, 424TR, 424HS)	2	36	WP134 - Coupling - Quick Release - Female	1
17	EW039 - Wiring Loom for front lights	1	37	WP135 - Coupling - Quick Release - Male	1
18	GG112 - Hinge, 63 mm	4	39	GM125 - Heat shrink, 45 mm	2

DEA/ CSA Option - Principal Components

Model: **414RS**
 From CIN: **1** To CIN: **999**
 Drawing: **AS027-9** Revision:

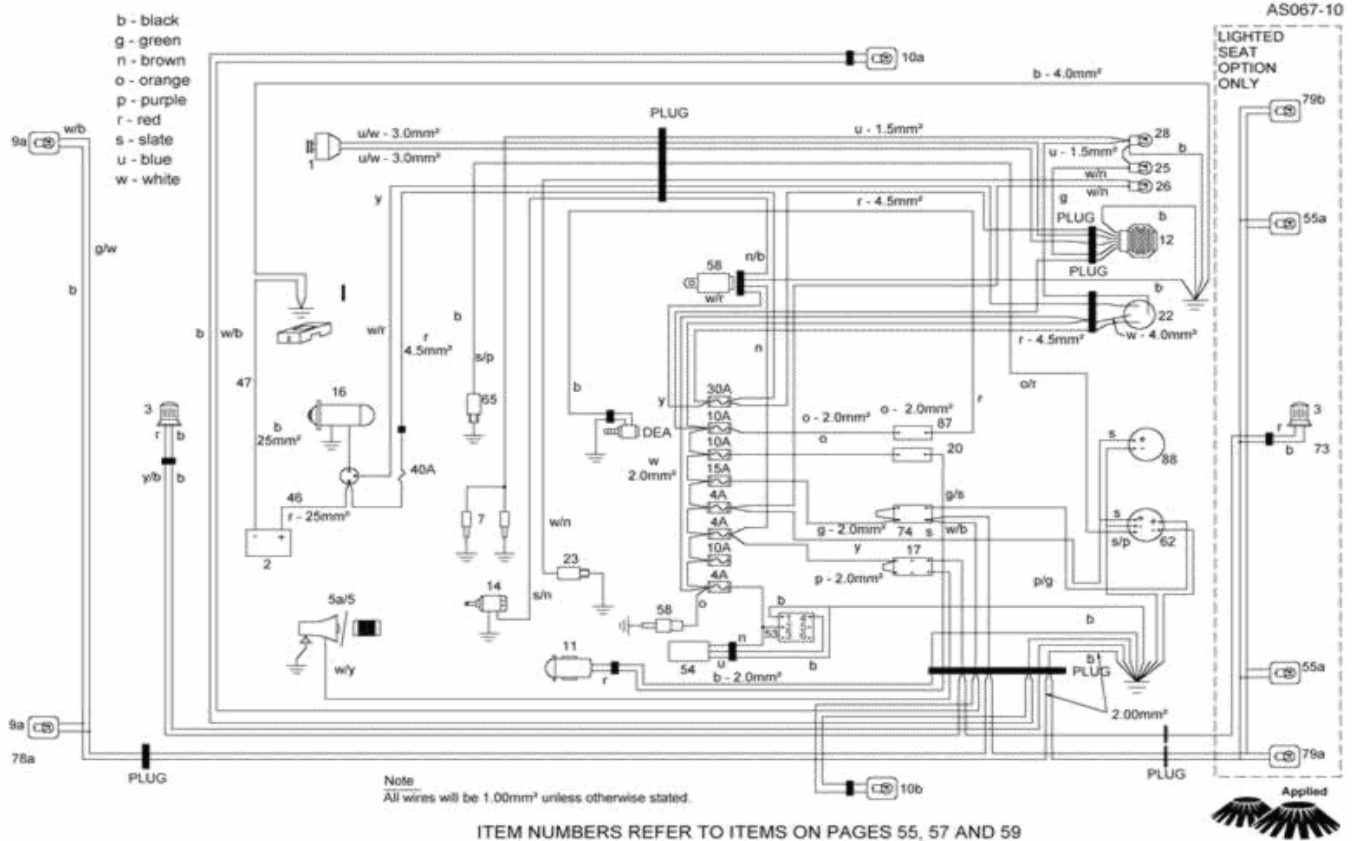
AS027-9



40	WP096 - Male Stud Coupling 1/4	2
41	WP131 - Valve, on/off	1
42	GM126 - Heat shrink, 75 mm	1
43	WP094 - Female Stud Coupling 1/4	1
44	CB258 - Bracket	1
45	WP132 - Water Nozzle	1
46	AW111 - Suction nozzle(for CSA/DEA)	1
47	AE063 - Suction Hose - DEA / CSA	1
48	AW112 - Threaded Cuff (for DEA/CSA)	2
49	AE064 - Lance Tube	1
50	GG123 - Hose Clamp (55 to 70 mm)	1

Electrical (414 Models)

Model: **414RS**
 From CIN: **1** To CIN: **999**
 Drawing: **AS067-10** Revision:



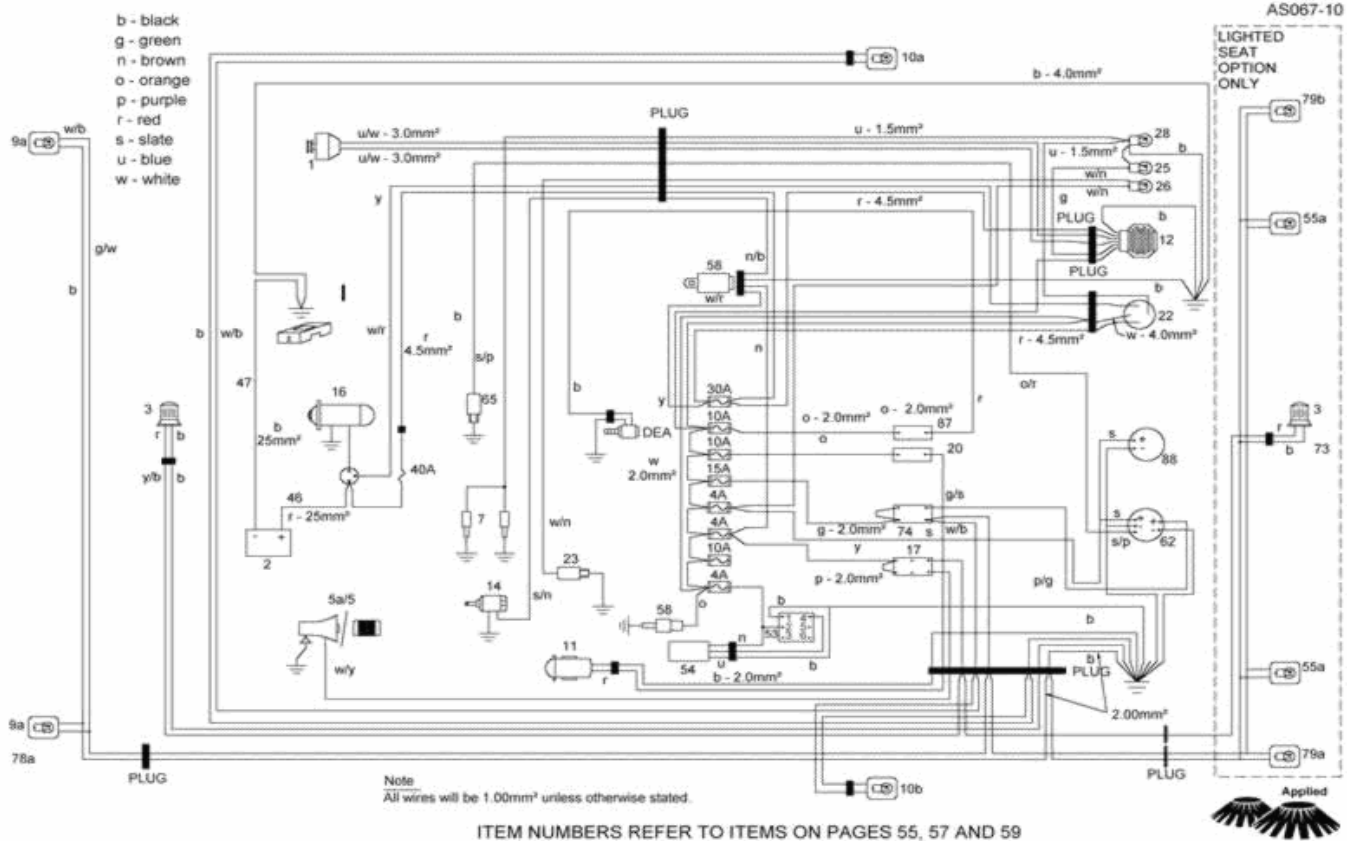
1	PD009 - Alternator	1	22	PD257 - Ignition Switch (Cobo)	1
2	EM009 - Battery	1	23	PD005 - Switch, low oil pressure	1
3	ES123 - Beacon Assembly	1	24	PD030 - Timer	1
3a	ES137 - Beacon (small) - from May 99	1	25	ES018 - Warning Light - Red	1
5	ES038 - Audible Beeper - Horn	1	26	ES018 - Warning Light - Red	1
5a	ES051 - Voice Box	1	28	ES017 - Warning Light - Amber	1
7	PD059 - Glow Plug	2	31	EW045 - Wiring loom - beeper to chassis	1
9	AE030 - Front Light assembly (414S2D only)	2	32	EW059 - Wiring loom - rectifier to earth	1
9a	ES047 - Light - front (414RS, 424TR, 424HS)	2	33	ET060 - Fuse - 40 Amp - Blade Type	1
10	EW095 - Wiring loom, One piece	1	40	EW095 - Wiring loom, One piece	1
10a	ES050 - Rear Light	2	46	ET034 - Battery Cable - positive	1
10b	ES050 - Rear Light	2	47	ET035 - Battery Cable - negative	1
11	WP044 - Water Pump	1	48	EW039 - Wiring Loom for front lights	1
12	PD245 - Rectifier / Regulator - Heavy Duty	1	48a	ES025 - Plug only for front lights	1
13	PD027 - Solenoid for starter motor	1	49a	ES026 - Socket for front lights	1
14	PD031 - Fuel Stop Solenoid	1	53	EH010 - Odometer (calibrated in miles)	1
16	PD008 - Starter Motor	1	53a	EH011 - Odometer (calibrated in kilometres)	1
17	ES009 - Switch - Double Pole - Three Position	1	54	EH012 - Sensor for odometer	1
20	ES001 - Switch - Single Pole - Two Position	1	55a	ES062 - Light - number plate	2

Electrical (414 Models)

Model: **414RS**

From CIN: **1** To CIN: **999**

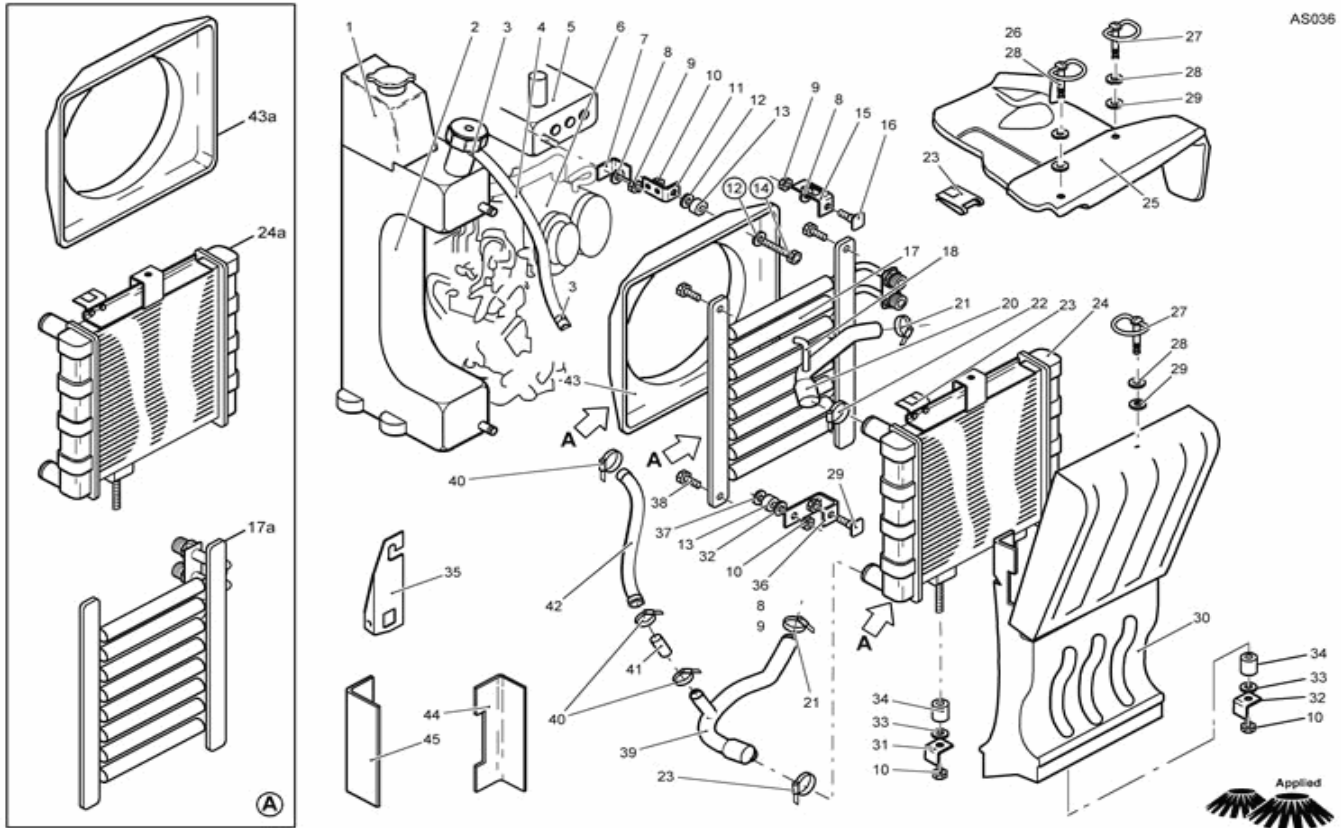
Drawing: **AS067-10** Revision:



58	ES124 - Diode - Voltage Suppressor	1
62	EH015 - Temperature Gauge	1
65	EH016 - Temperature Sender	1
66	EH021 - Oil Pressure Sender	1
73	ES137 - Beacon (small) - from May 99	1
74	ES153 - Switch - lights	1
78a	ES032 - Bulb 12V 21W	2
79b	ES050 - Rear Light	2
87	ES159 - Switch - high/lo speed or DEA (424 Se)	1
88	EH023 - Hourmeter (414 from CIN 117) and all	1
90	ET036 - Fuse Box	1
90a	ET024 - Fuse - 4 Amp - blade type	3
90b	ET027 - Fuse - 10 Amp - blade type	3
90c	ET023 - Fuse - 15 Amp - Blade Type	1
90d	ET060 - Fuse - 40 Amp - Blade Type	1

Radiator & Oil Cooler (to CIN 97)

Model: **414RS**
 From CIN: **1** To CIN: **97**
 Drawing: **AS036** Revision:



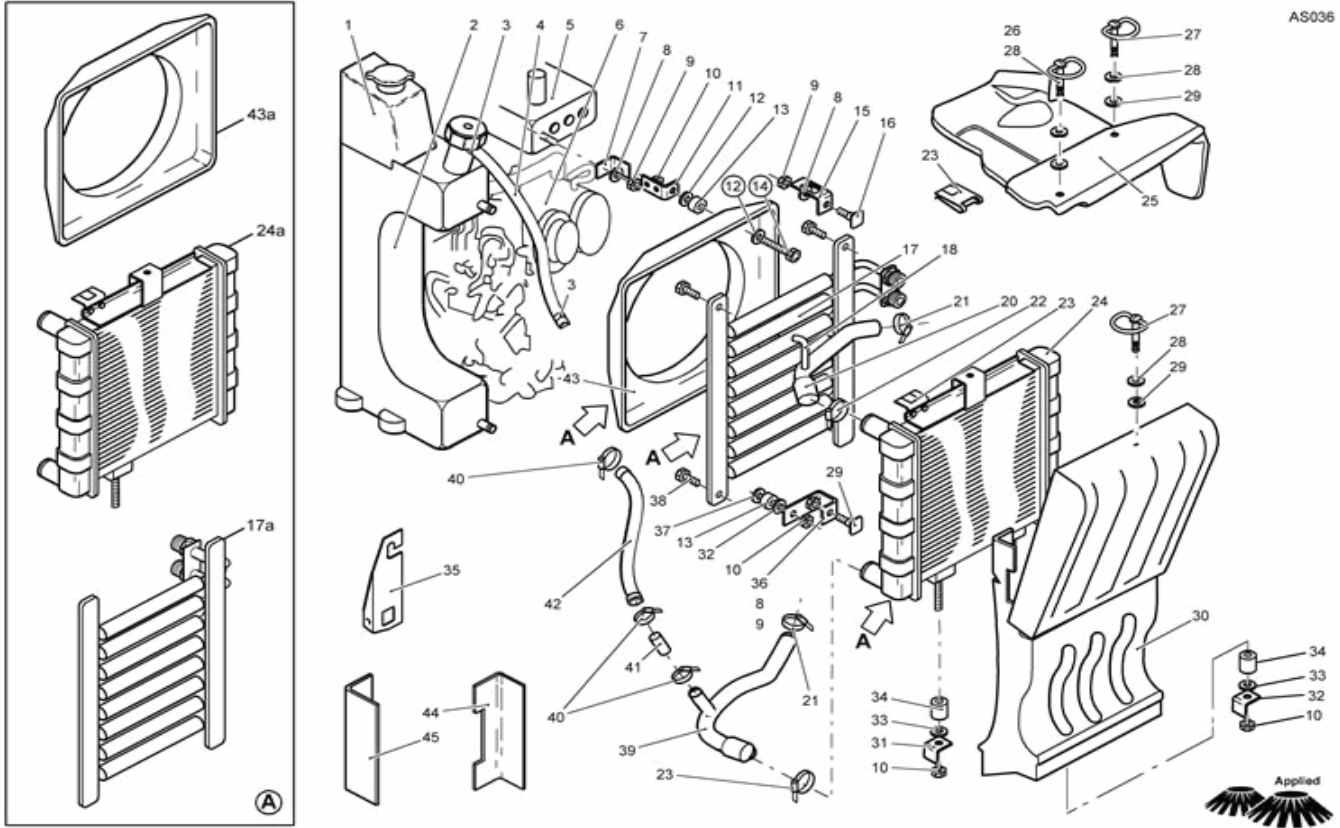
This diagram covers older Green Machines prior to CIN 98 which were fitted with separate engine radiator and oil cooler. More modern machines use a combined radiator/oil cooler - see drawing AS037. Please note that machines prior to CIN 98 may have one of two variations. Please check diagrams carefully to ensure you order the correct radiator or oil cooler. Oil cooler fitted in between engine and radiator - as shown in the main diagram. Oil cooler fitted on rear face of radiator (i.e. nearest operator) - as shown in inset box at left side of diagram.

1	PC042 - Header / Radiator Expansion Tank	1	21	GG064 - Hose Clamp (25mm to 35mm)	2
1a	PC003 - Cap, header tank	1	22	GG066 - Hose Clamp (50mm)	1
2	PG039 - Diesel Tank	1	23	GG042 - Slip on receptacle	1
3	GG045 - Hose Clamp (16mm)	2	24a	PC045 - Radiator - for use with rear mounted	1
3	PG038 - Fuel Tank Cap (screw-on style)	1	25	CB097 - Cover for engine	1
4	PG030 - Fuel Pipe	1	26	GG048 - Ring Head Stud - 14 mm	2
5	HT020 - Hydraulic Tank RS/S2D/TR	1	27	GG110 - Ring Head Stud - 17 mm	1
7	CB091 - Bracket - hydraulic tank to fan cowl	1	28	GG055 - Plastic Washer (6mm)	1
11	CB137 - Bracket - fan cowl to hydraulic tank	1	29	GG041 - Retainer Washer - steel	1
13	GG054 - Bush rubber bushing	1	30	PC033 - Radiator Duct (to CIN 97)	1
15	CB130 - Bracket - radiator to engine cover	1	31	CB336 - Radiator Mounting Bracket - Left Hand	1
16	GT122 - 6 x 20 Square Head Screw (for radiato	1	32	CB143 - Bracket - Radiator Mounting - Right	1
17	HC087 - Oil Cooler (CIN 93 - 97 specials)	1	34	GG080 - Bushing - rubber - with spiggot	2
17a	HC054 - Hydraulic Oil Cooler (Standalone)	1	35	CB101 - Bracket for engine stop cable	1
18	PC024 - Elbow, top hose header tank	1	36	CB088 - Bracket - radiator to fuel tank	1
20	PC021 - Hose, Top Radiator (To CIN97)	1	39	PC046 - Hose - Bottom Radiator (To CIN 97)	1

Radiator & Oil Cooler (to CIN 97)

Model: **414RS**
 From CIN: **1** To CIN: **97**
 Drawing: **AS036** Revision:

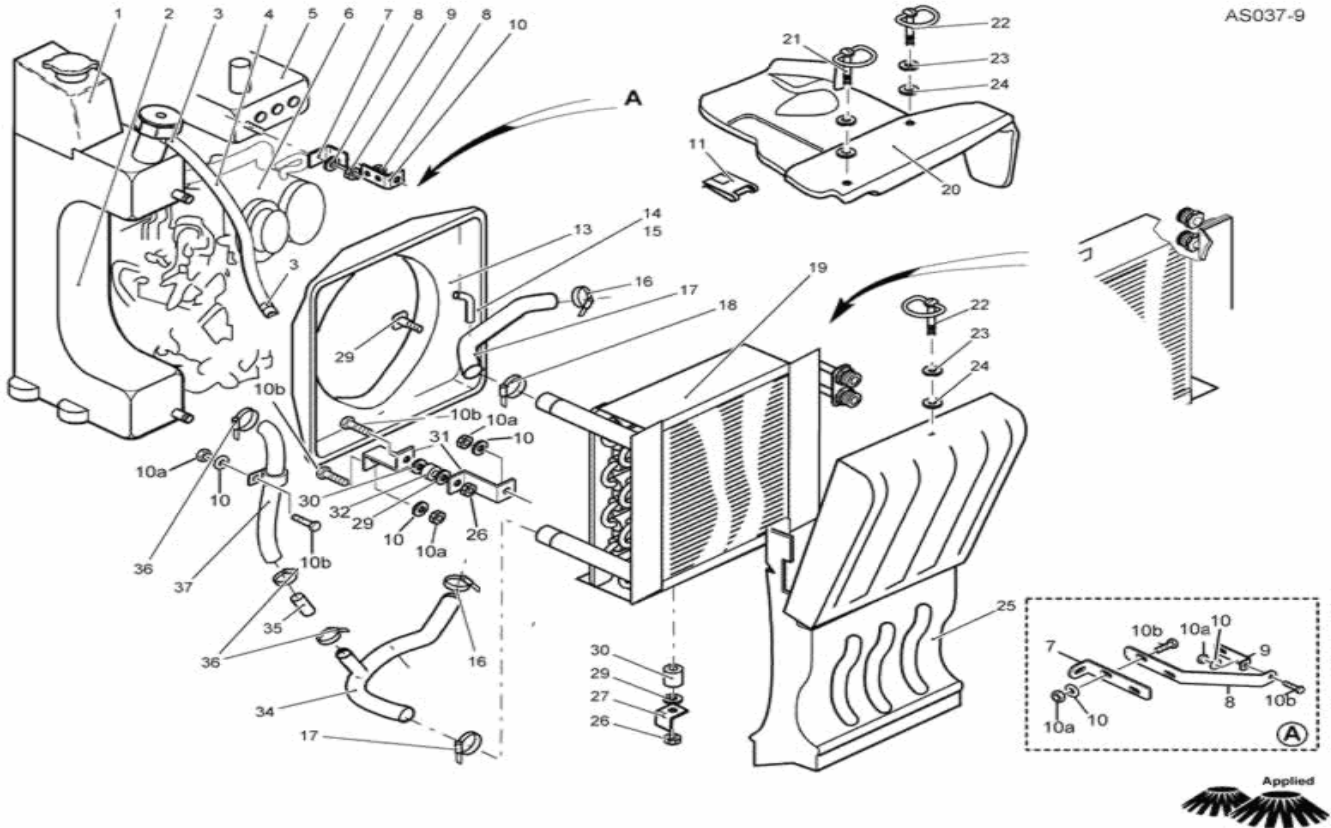
AS036



40	GG090 - Hose Clamp (17mm to 25mm)	2
41	PC047 - Spigot, bottom radiator hose	1
42	PC026 - Hose, header tank/radiator	1

Engine Cooling System (from CIN 98)

Model: **414RS**
 From CIN: **98** To CIN: **999**
 Drawing: **AS037-9** Revision:

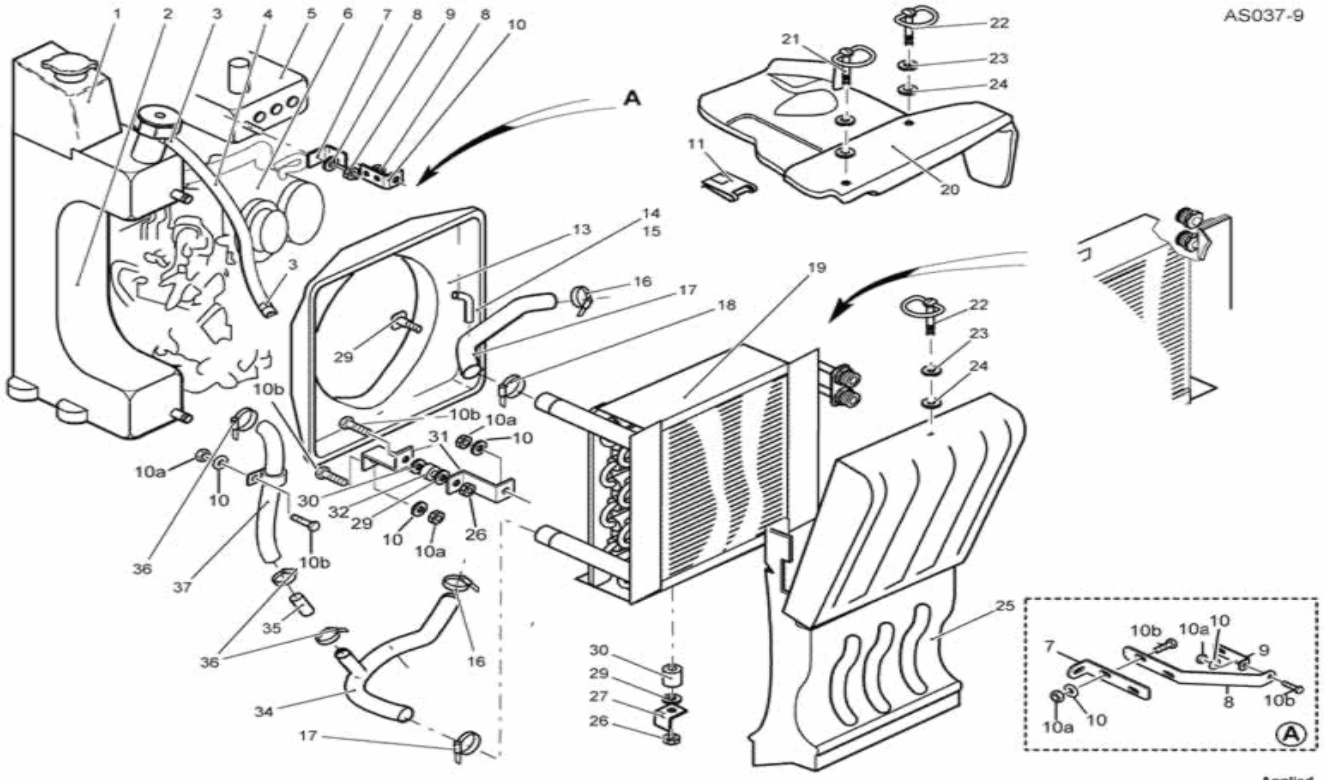


This drawing is for 400 Series machines from CIN 98 onwards that use a combined radiator/oil cooler. For older Green Machines up to the end of CIN 97 that used a radiator with separate oil cooler please see drawing AS036.

1	PC042 - Header / Radiator Expansion Tank	1	17	PC059 - Hose, top radiator/engine	1
2	PG039 - Diesel Tank	1	18	GG111 - Hose Clamp (45mm)	2
3	GG045 - Hose Clamp (16mm)	2	19	PC082 - Radiator / Oil Cooler Assy.	1
4	PG030 - Fuel Pipe	1	20	PC078 - Top Cover, engine	1
5	HT020 - Hydraulic Tank RS/S2D/TR	1	21	GG048 - Ring Head Stud - 14 mm	1
5a	HT030 - Hydraulic Tank HS	1	22	GG110 - Ring Head Stud - 17 mm	2
6	PD003 - Engine Assembly Kubota Z-482E	1	23	GG055 - Plastic Washer (6mm)	3
7	CB091 - Bracket - hydraulic tank to fan cowl	1	24	GG041 - Retainer Washer - steel	3
8	CB339 - Bracket	1	25	PC057 - Radiator Duct (from CIN 98)	1
9	CB130 - Bracket - radiator to engine cover	1	26	GN019 - M10 Locknut - Nylon	3
10	GW038 - M6 Flat Washer	7	27	CB336 - Radiator Mounting Bracket - Left Hand	1
10a	GN011 - M6 Locknut - Nylon	7	28	CB143 - Bracket - Radiator Mounting - Right	1
10b	GT135 - M6 x 16 Hex Screw	4	29	GW027 - Dished Washer	3
11	GG042 - Slip on receptacle	3	30	GG080 - Bushing - rubber - with spigot	2
13	PC058 - Fan Cowling	1	31	CB340 - Bracket	2
14	PC024 - Elbow, top hose header tank	1	32	GG054 - Bush rubber bushing	1
15	GG077 - Hose Clamp (14mm to 22mm)	1	34	PC060 - Hose, bottom radiator	1
16	GG064 - Hose Clamp (25mm to 35mm)	2	35	PC047 - Spigot, bottom radiator hose	1

Engine Cooling System (from CIN 98)

Model: **414RS**
 From CIN: **98** To CIN: **999**
 Drawing: **AS037-9** Revision:

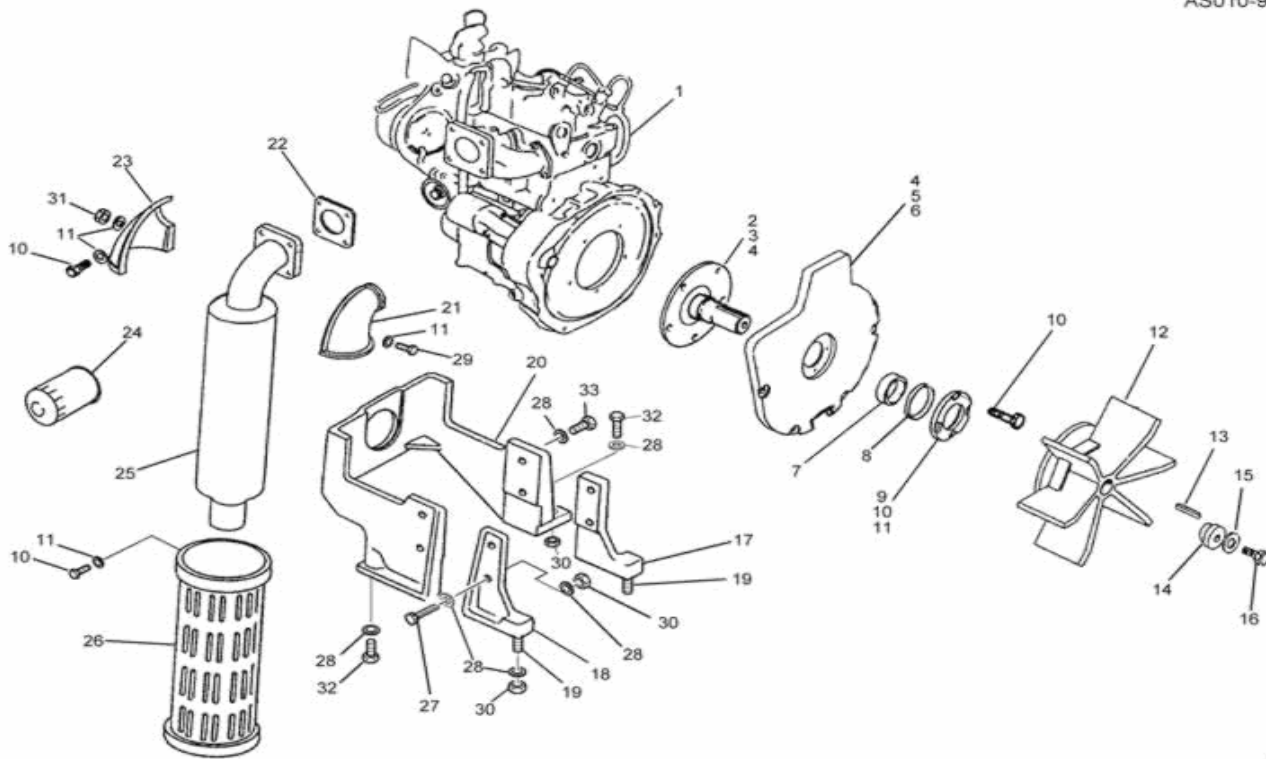


36	GG090 - Hose Clamp (17mm to 25mm)	3
37	PC026 - Hose, header tank/radiator	1
38	HF007 - Coupling 3/8	1

Engine, Exhaust & Impeller

Model: **414RS**
 From CIN: **1** To CIN: **999**
 Drawing: **AS010-9a** Revision:

AS010-9a

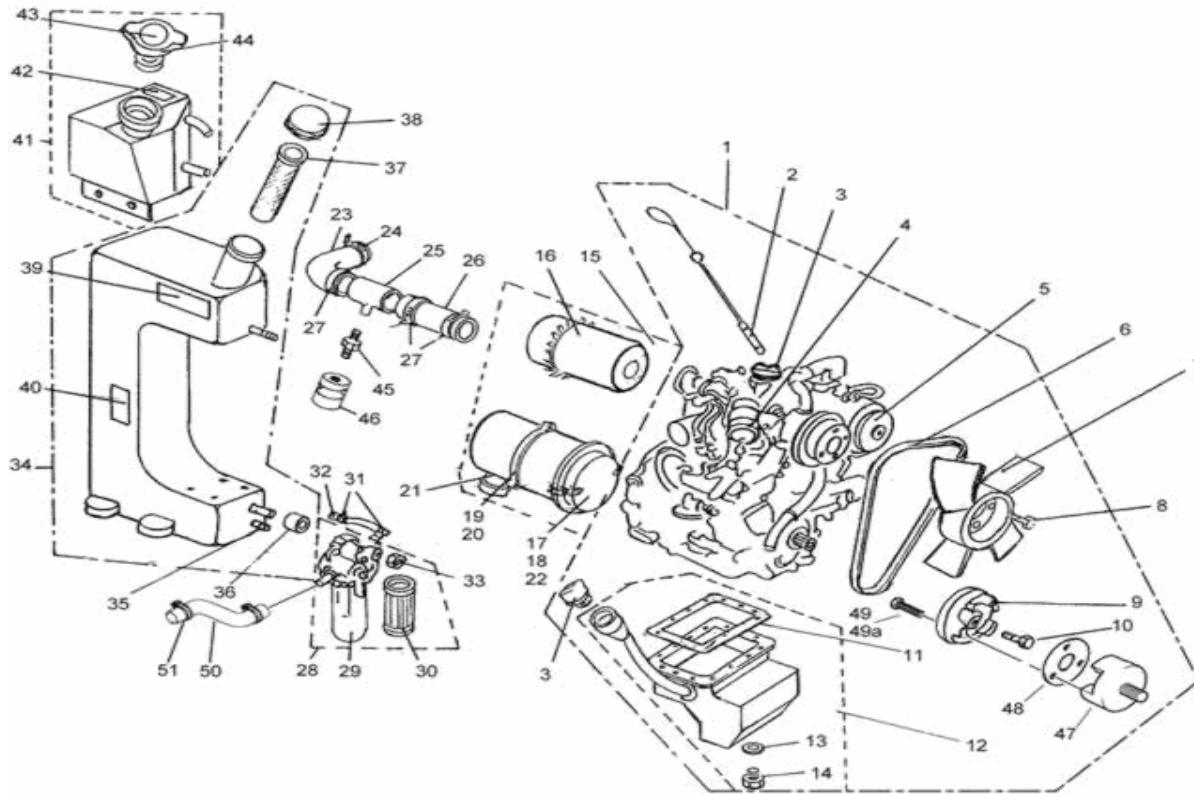


1	PD003 - Engine Assembly Kubota Z-482E	1	20	CA100 - Rear Engine Mounting	1
2	VF022 - PTO Shaft (Impeller)	1	21	PD094 - Cover, exhaust flange, front	1
3	GT100 - M8 x 16 Hex Screw	5	22	PD049 - Gasket for Exhaust	1
4	GW015 - M8 Split Lockwasher	1	23	PD093 - Cover - exhaust flange, rear	1
5	CA017 - Adaptor Plate	1	24	PD004 - Oil Filter	1
6	GT028 - M8 x 20 Setscrew	6	25	PD036 - Exhaust Muffler	1
7	GM065 - Journal for seal	1	26	PD051 - Exhaust cover	1
8	GM064 - Seal - teflon	1	27	GT099 - M10 x 30 x 1.25 Fine Hex Screw	4
9	CA045 - Seal Housing	1	28	GW013 - M10 Flat Washer	8
10	GT090 - M6 x 12 Hex Screw	3	29	GT019 - M6 x 30 Hex Screw	2
11	GW031 - Washer M6 Form C	5	30	GN019 - M10 Locknut - Nylon	8
12	VF025 - Impeller	1	31	GN011 - M6 Locknut - Nylon	2
13	GG070 - Key for impeller	1	32	GT102 - M10 x 20 Hex Screw	2
14	GB013 - Boss, Impeller retention	1	33	GT256 - M10 x 1.25 pitch x 20 lg. Hex Screw	4
15	GG068 - Washer - disc spring (12.2 x 25mm)	2			
16	GT109 - Bolt for Impeller	1			
17	CA088 - Engine Mounting Left side (from CIN 1	1			
18	CA087 - Engine Mounting Right side (from CIN	1			
19	GT120 - M10 x 50 Stud	4			

Engine, Fuel & Air System

Model: **414RS**
 From CIN: **1** To CIN: **999**
 Drawing: **AS008-9a** Revision:

AS008-9a

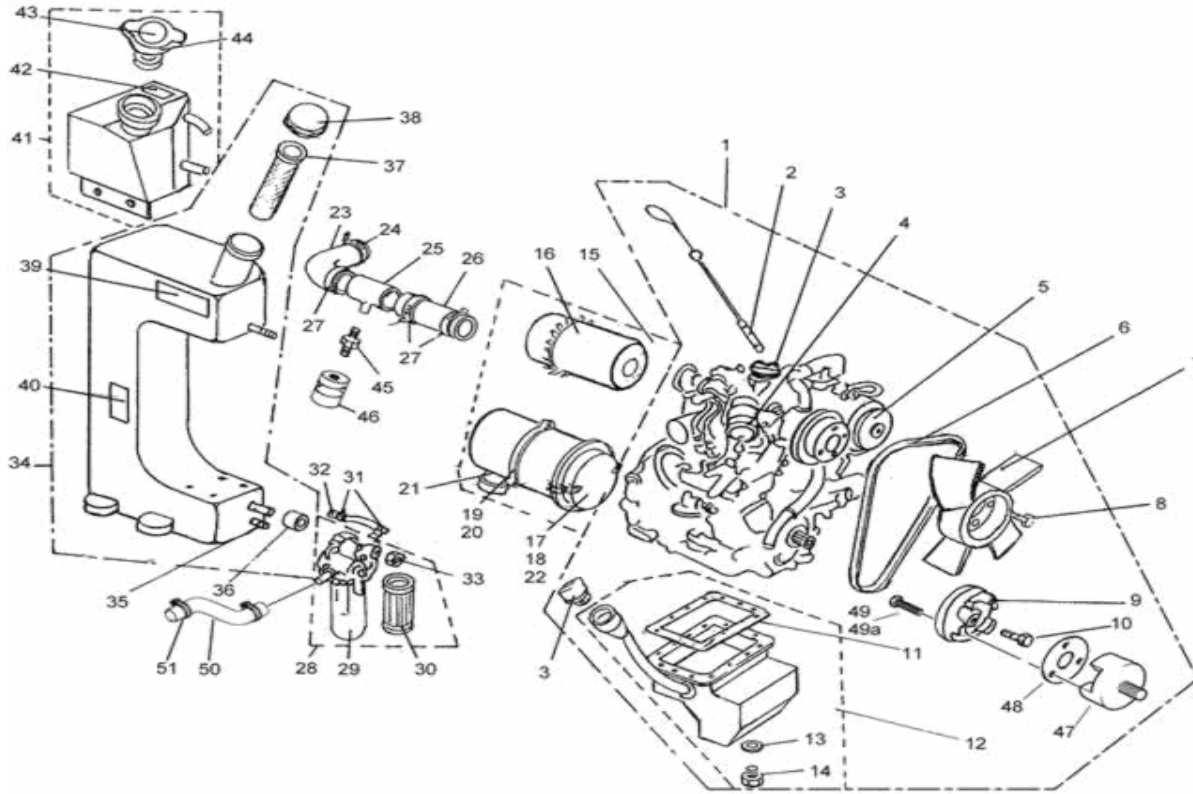


1	PD003 - Engine Assembly Kubota Z-482E	1	20	PD050 - Rubber - air cleaner band	1
2	PD018 - Oil Dipstick	1	21	PD228 - Strainer - Air Cleaner Intake	1
3	PD039 - Oil Filler Cap	2	22	PD176 - Sealing O- Ring - Air Cleaner	1
4	PD031 - Fuel Stop Solenoid	1	23	PD025 - Inlet pipe	1
5	PD009 - Alternator	1	24	GG076 - Hose Clamp (55mm)	1
6	PD011 - Fan Belt (up to CIN 86 only)	1	25	PD056 - Pipe - air cleaner	1
6a	PD244 - Fan Belt (CIN 87+ only)	1	26	PC010 - Pipe Extension	1
7	PD189 - Fan - Engine Cooling (300mm diameter)	3	27	GG066 - Hose Clamp (50mm)	3
9	PD223 - Pulley - Large, 114 dia fan drive	1	28	PD026 - Fuel Filter Assembly	1
10	PD041 - Bolt - for pulley mounting	1	29	PD044 - Fuel Filter Bowl	1
11	PD052 - Gasket, Oil Sump	1	30	PD045 - Fuel Filter Element	1
12	PD193 - Sump (oil pan)	1	32	PD147 - Fuel Pipe, pump to filter	1
13	PD053 - Gasket, Sump Plug	1	33	GN004 - M8 Locknut - Nylon	1
14	PD069 - Sump Plug	1	34	PG039 - Diesel Tank	1
15	PD170 - Air Filter Assembly	1	35	WP036 - Hose Tail - 1/4 BSP -3/8 Hose	1
16	PD060 - Engine Air Filter	1	36	GB019 - Spacer	1
17	PD179 - Air Cleaner End Cap	1	37	PG027 - Fuel Tank Strainer	1
18	PD184 - Air Cleaner Cap (Inner)	1	38	PG038 - Fuel Tank Cap (screw-on style)	1
19	PD024 - Air cleaner band	1	41	PC042 - Header / Radiator Expansion Tank	1

Engine, Fuel & Air System

Model: **414RS**
 From CIN: **1** To CIN: **999**
 Drawing: **AS008-9a** Revision:

AS008-9a



44	PC003 - Cap, header tank	1
45	ES099 - Nipple for filter minder	1
46	ES098 - Filter Minder - unswitched	1
47	TC001 - Drive Coupling	1
48	TC014 - Spacer, Drive coupling	1
49	GT168 - Capscrew, skt hd. M6 x 30	3
50	PG030 - Fuel Pipe	1
51	GG045 - Hose Clamp (16mm)	2

Kubota Engine Parts

Model: **414RS**
 From CIN: **1** To CIN: **999**
 Drawing: **ENGACCE** Revision:



1	PD003 - Engine Assembly Kubota Z-482E	1	29	PD044 - Fuel Filter Bowl	1
2	PD004 - Oil Filter	1	30	PD045 - Fuel Filter Element	1
3	PD005 - Switch, low oil pressure	1	31	PD049 - Gasket for Exhaust	1
4	PD245 - Rectifier / Regulator - Heavy Duty	1	32	PD050 - Rubber - air cleaner band	1
5	PD008 - Starter Motor	1	33	PD051 - Exhaust cover	1
6	PD009 - Alternator	1	34	PD052 - Gasket, Oil Sump	1
9	PD011 - Fan Belt (up to CIN 86 only)	1	35	PD053 - Gasket, Sump Plug	1
12	PD013 - Fuel Lift Pump (Kubota)	1	36	PD054 - Engine Workshop Manual	1
13	PD015 - Water Pump (Kubota)	1	37	PD055 - Parts Manual- Kubota Z482	1
14	PD018 - Oil Dipstick	1	38	PD056 - Pipe - air cleaner	1
16	PD024 - Air cleaner band	1	39	PD057 - Gasket, Cylinder Head	1
17	PD025 - Inlet pipe	1	40	PD058 - Thermostat	1
18	PD026 - Fuel Filter Assembly	1	41	PD059 - Glow Plug	1
19	PD027 - Solenoid for starter motor	1	42	PD060 - Engine Air Filter	1
22	PD030 - Timer	1	43	PD061 - Fuel Injection Pump	1
23	PD031 - Fuel Stop Solenoid	1	45	PD063 - Fuel Injector Nozzle Assembly	1
24	PD036 - Exhaust Muffler	1	49	PD068 - Gasket - Oil Pump	1
26	PD039 - Oil Filler Cap	1	50	PD069 - Sump Plug	1
27	PD041 - Bolt - for pulley mounting	1	57	PD080 - Gasket	1

Kubota Engine Parts

Model: **414RS**
 From CIN: **1** To CIN: **999**
 Drawing: **ENGACCE** Revision:

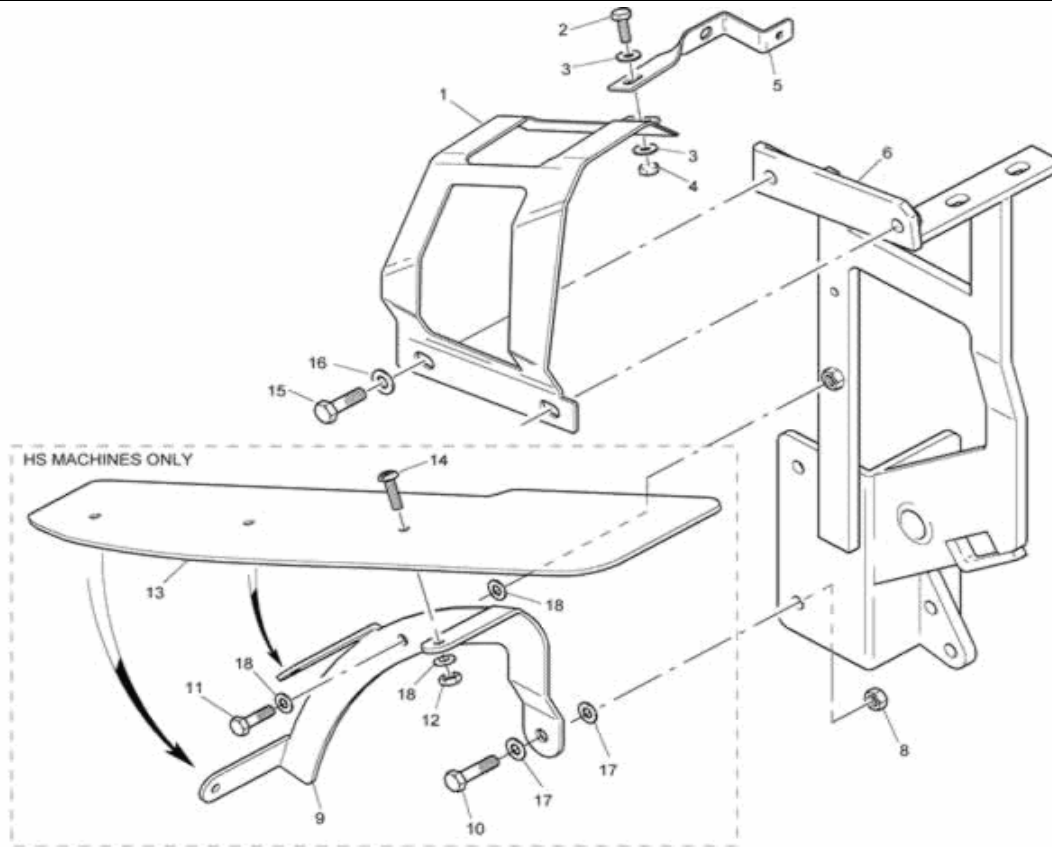


61	PD086 - Washer with Rubber- for Air Filter	1	109	PD179 - Air Cleaner End Cap	1
62	PD087 - Butterfly Screw / Wing Bolt - for ai	1	110	PD184 - Air Cleaner Cap (Inner)	1
65	PD093 - Cover - exhaust flange, rear	1	112	PD187 - Water pipe	1
66	PD094 - Cover, exhaust flange, front	1	113	PD189 - Fan - Engine Cooling (300mm diameter)	1
88	PD145 - Knurled Ring - for Fuel Filter	1	114	PD193 - Sump (oil pan)	1
89	PD146 - O - ring for Fuel Filter - large	1	116	PD228 - Strainer - Air Cleaner Intake	1
90	PD147 - Fuel Pipe, pump to filter	1	117	PD223 - Pulley - Large, 114 dia fan drive	1
91	PD149 - Gasket, for Fuel Lift Pump	1	118	PD244 - Fan Belt (CIN 87+ only)	1
94	PD159 - Gasket (for Water Pump PD015)	1			
95	PD160 - Gasket with Flange	1			
97	PD162 - Ignition Switch (Kubota)	1			
98	PD163 - Ignition Key (for Kubota switch)	1			
99	PD164 - Connector set for rectifier	1			
100	PD169 - Strainer - Air Cleaner Intake	1			
101	PD170 - Air Filter Assembly	1			
102	PD172 - Overflow pipe	1			
103	PD173 - Washer - injector overflow	1			
105	PD175 - Kubota Gasket Kit - Bottom	1			
106	PD176 - Sealing O- Ring - Air Cleaner	1			
108	PD178 - Temperature Sender Unit	1			

Air Filter Bracket

Model: **414RS**
 From CIN: **1** To CIN: **999**
 Drawing: **AS063-10** Revision:

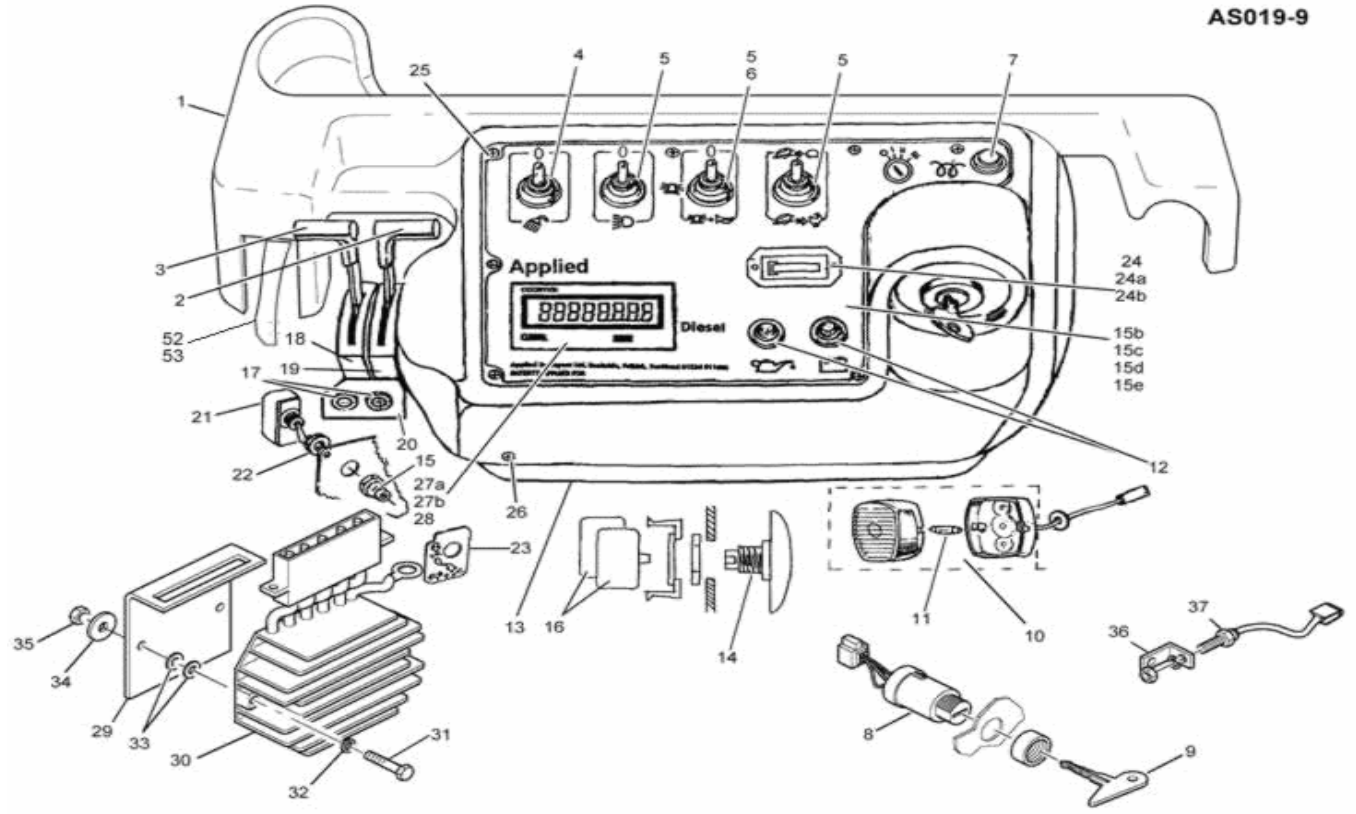
AS063-10



1	CB660 - Support Bracket	1
2	GT135 - M6 x 16 Hex Screw	1
3	GW031 - Washer M6 Form C	2
4	GN011 - M6 Locknut - Nylon	1
5	CB662 - Bracket, diesel tank/cover lock	1
6	CB624 - Bracket for Air Filter	1
8	GN004 - M8 Locknut - Nylon	1
9	CB657 - Bracket for Mudflap Mounting	1
10	GT049 - M8 x 25 Hex Screw	1
11	GT204 - M6 x 10 sockethead screw	1
12	GN011 - M6 Locknut - Nylon	3
13	MA553 - Mudguard	1
14	GT050 - M8 x 16 Button Head Screw	3
14a	GW031 - Washer M6 Form C	3
15	GT028 - M8 x 20 Setscrew	2
18	GW031 - Washer M6 Form C	5

Control Panel (to CIN 116)

Model: **414RS**
 From CIN: **1** To CIN: **116**
 Drawing: **AS019-9** Revision:



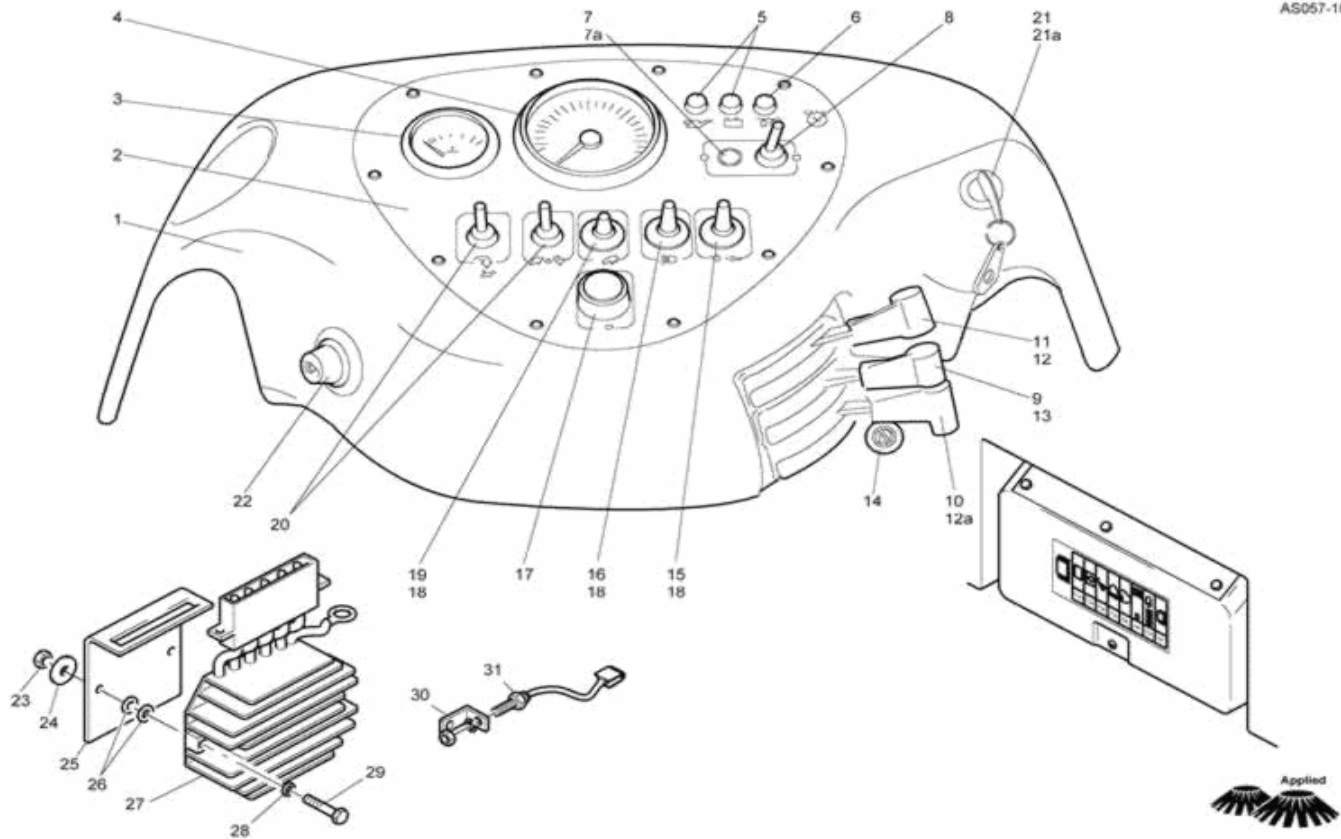
For all 414S2D and 414RS models up to the end of CIN 116. For newer models see Control Panel drawing AS057.

1	ES114 - Control Panel moulding (from CIN 105)	1	18	BB057 - Throttle Cable (414 Models to CIN116)	1
2	BB180 - Spade Knob, Black	1	19	BB082 - Brush Control Cable (414 to CIN 116)	1
3	BB181 - Spade Knob, Red	1	20	CB150 - Bracket for water valves	1
4	ES001 - Switch - Single Pole - Two Position	1	21	ES071 - Switch - for DEA/CSA	1
5	ES001 - Switch - Single Pole - Two Position	1	22	ES096 - Nut (for DEA Switch)	1
6	ES009 - Switch - Double Pole - Three Position	1	24	EH009 - Hourmeter (414 to CIN 116)	1
7	ES017 - Warning Light - Amber	1	24a	EH014 - Perspex Window for hourmeter	1
8	PD257 - Ignition Switch (Cobo)	1	24b	HF070 - O Ring	2
9	PD258 - Ignition Key for Cobo ignition switch	1	25	GT106 - #8 x 1/2 in. Phillips Sheet Metal Scr	7
9a	PD233 - Ignition Key (for Durite Ignition Swi	1	26	GT119 - 8 x 3/4 self-tapping screw	7
9b	PD163 - Ignition Key (for Kubota switch)	1	27	EH010 - Odometer (calibrated in miles)	1
10	ES050 - Rear Light	2	27a	EH011 - Odometer (calibrated in kilometres)	1
11	ES053 - Bulb - festoon type - 12V 5W	2	27b	EH012 - Sensor for odometer	1
12	ES018 - Warning Light - Red	3	29	ES109 - Heat Shield	1
13	ES138 - Control panel lower tray (from CIN 10	1	30	PD245 - Rectifier / Regulator - Heavy Duty	1
14	ES073 - Safety Pushbutton (Reverse Stop)	1	36	ES125 - Bracket for diode	1
15b	EW087 - Facia Panel and wiring loom	1	37	ES124 - Diode - Voltage Suppressor	1
16	ES074 - Contact block - push button	2			

Control Panel (from CIN 117)

Model: **414RS**
 From CIN: **117** To CIN: **999**
 Drawing: **AS057-10** Revision:

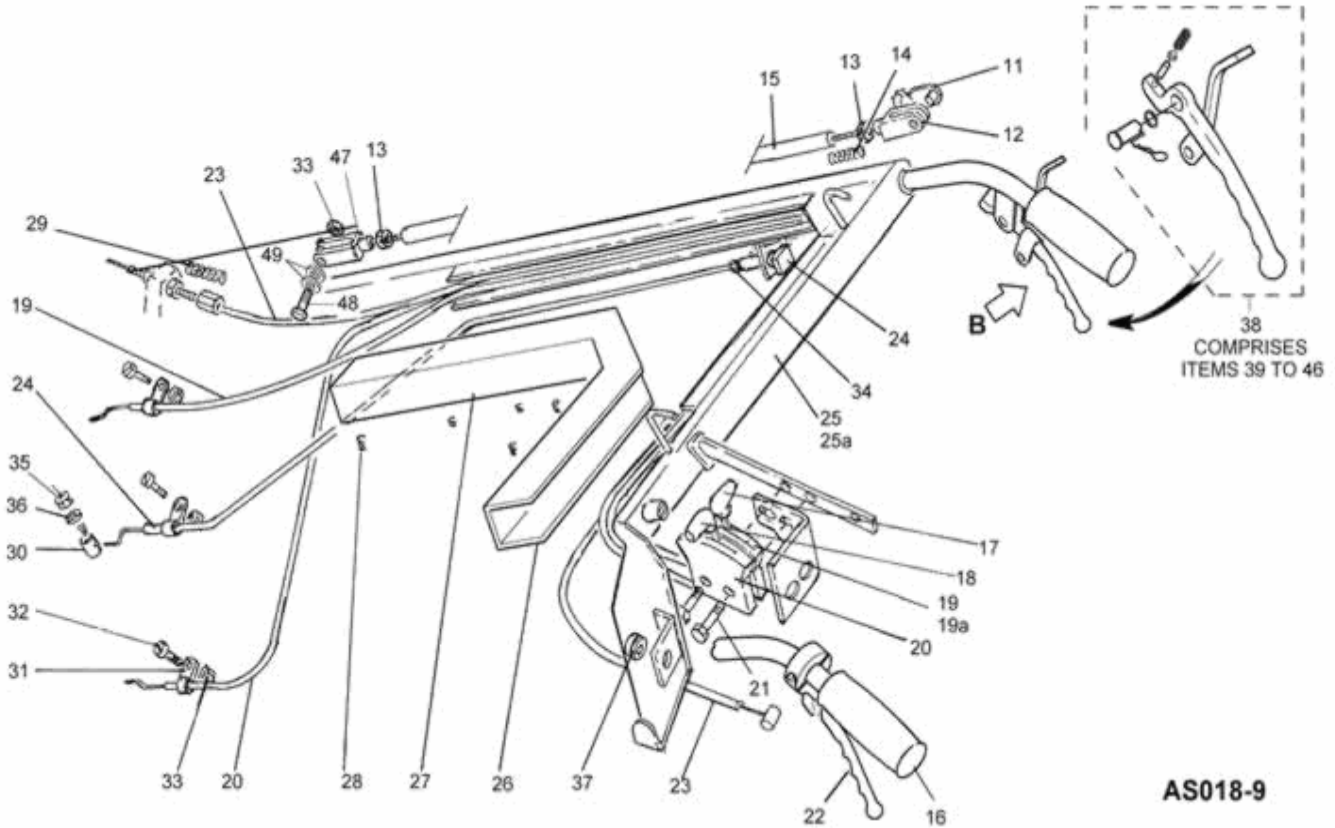
AS057-10



1	CP151 - Control Panel moulding assy.	1	13	BB181 - Spade Knob, Red	1
2	EW135 - Facia Panel - 424HS	1	14	BB058 - Cable - Manual Stop	1
2a	EW136 - Facia Panel - 424TR & 414 machines	1	15	ES009 - Switch - Double Pole - Three Position	1
2b	EW137 - Facia Panel Assy, HS DEA	1	16	ES153 - Switch - lights	1
2c	EW138 - Facia Panel Assy, TR DEA	1	17	ES156 - Horn button	1
2d	EW139 - Facia Panel Assy, TR + Cab	1	18	ES002 - Cover for switches	3
2e	EW140 - Facia Panel Assy, TR DEA + Cab	1	19	ES152 - Switch - front head lift/lower	1
2f	EW151 - Facia Panel Assy, - Std. 414S2D/RS	1	20	ES159 - Switch - high/lo speed or DEA (424 Se	2
3	EH015 - Temperature Gauge	1	21	PD257 - Ignition Switch (Cobo)	1
4	EH017 - Tachometer with hourmeter (424HS)	1	21a	PD258 - Ignition Key for Cobo ignition switch	1
5	ES018 - Warning Light - Red	2	22	ES158 - Water Controller	1
6	ES017 - Warning Light - Amber	1	25	ES109 - Heat Shield	1
7	ES192 - Warning Light (Green)	1	27	PD245 - Rectifier / Regulator - Heavy Duty	1
8	ES154 - Indicator Switch	1	28	GW029 - Washer M6 brass	2
9	BB111 - Throttle Cable (414 from CIN117 and a	1	29	GT151 - M6 x 35 Brass Setscrew	2
10	BB110 - Brush Control Cable (414 from CIN 117	1	30	ES125 - Bracket for diode	1
11	BB109 - Flap Cable (414 from CIN117 and all 4	1	31	ES124 - Diode - Voltage Suppressor	1
12	BB180 - Spade Knob, Black	1			
12a	BB180 - Spade Knob, Black	1			

Handles & Controls (to CIN 116)

Model: **414RS**
 From CIN: **1** To CIN: **116**
 Drawing: **AS018-9** Revision:



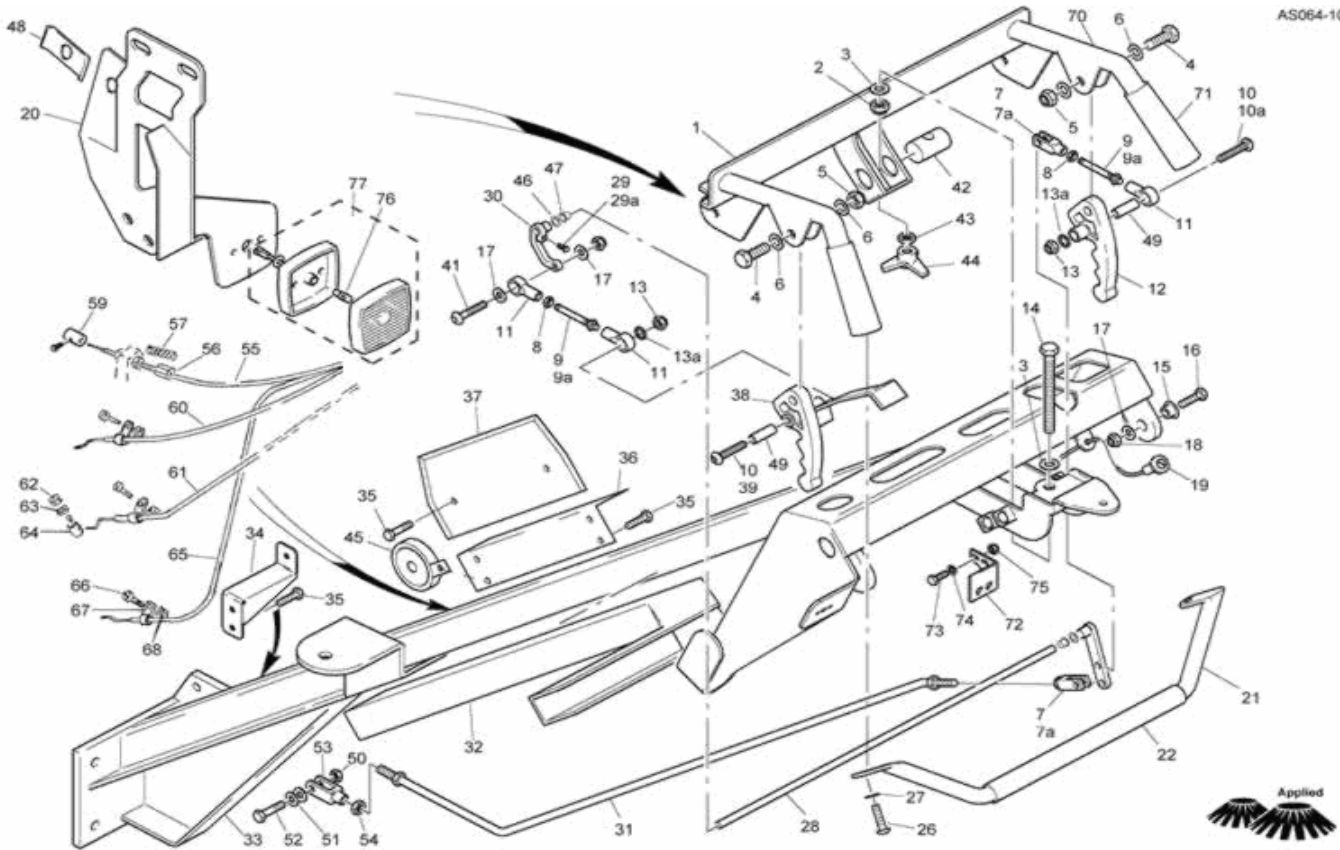
Applies to 414RS and 414S2D models up to the end of CIN116. For later models please refer to drawing AS064.

11	BB022 - Clevis Pin	1	29	BB029 - Spring (Flap Cable)	1
12	BB006 - Clevis yoke	1	30	BB049 - Nipple - stop control cable	1
13	GN027 - M8 Hex Jam Nut (Half-height)	2	31	BB045 - Bracket for cable (keyhole shape)	3
14	GG005 - Spring - Drive Lever Return	1	32	GT020 - M6 x 16 Sockethead capscrew	1
15	BB096 - Drive Rod (414 CIN 106 to CIN 116)	1	33	GN011 - M6 Locknut - Nylon	2
15a	BB040 - Drive Rod (to CIN 105)	1	34	BB048 - Nut for stop cable	1
16	GM128 - Handle grip	2	35	GN006 - M5 Locknut - Nylon	1
17	BB180 - Spade Knob, Black	1	38	BB106 - Drive Lever Assembly (414 CIN 106 to	1
18	BB181 - Spade Knob, Red	1	40	GB043 - Bush DU	1
19	BB082 - Brush Control Cable (414 to CIN 116)	1	41	BB094 - Clevis Pin	1
20	BB057 - Throttle Cable (414 Models to CIN116)	1	47	BB093 - Connector	1
21	GT128 - M6 x 70 Hex Screw	2			
22	BB041 - Flap Lever (414 to CIN 116)	1			
23	BB068 - Flap Cable (414 to CIN 116)	1			
24	BB058 - Cable - Manual Stop	1			
25	CB503 - Handle assembly, RS	1			
26	CB463 - Cable Cover - one piece	1			
28	GT143 - Poppet Fastener	2			

Handle & Controls (from CIN 117)

Model: **414RS**
 From CIN: **117** To CIN: **999**
 Drawing: **AS064-10** Revision:

AS064-10

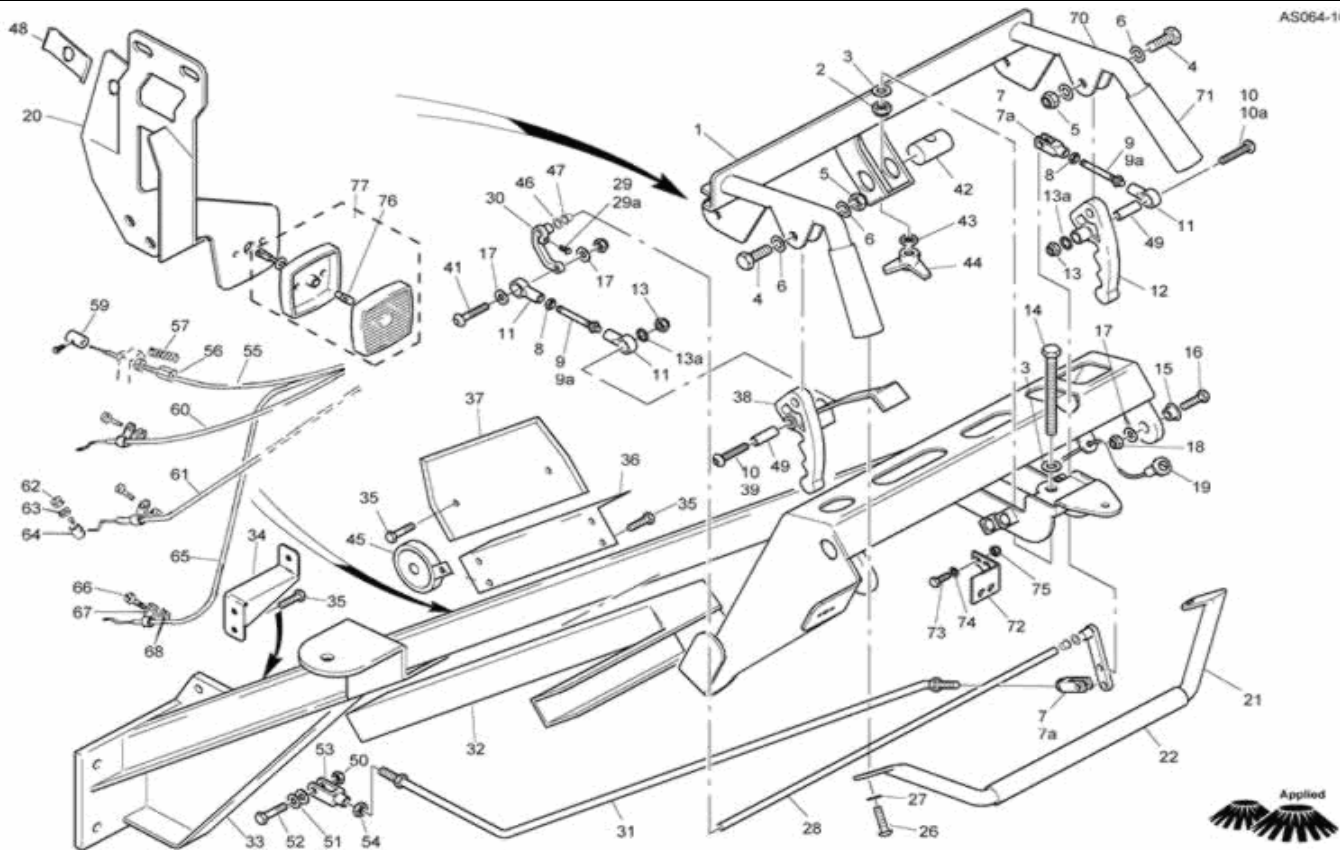


1	CB719 - Ajustable handlebars, HS/TR	1	17	GW041 - M8 Washer Form A	1
2	GN020 - M12 Locknut - Nylon	1	18	GN027 - M8 Hex Jam Nut (Half-height)	1
3	GW066 - Nylon washer 24 o/d x 13 i/d x 2.5	2	19	BB058 - Cable - Manual Stop	1
4	GT092 - M8 x 40 Hex Screw	2	20	CB626 - Bracket, side panel/rear light	1
5	GN043 - M8 locknut - nylon - stainless steel	2	21	CB526 - Crossbar, adjuster handle	1
6	GW032 - M8 Flat Washer	4	22	GM211 - Crossbar Foam	1
7	BB006 - Clevis yoke	2	26	GW023 - M10 Split Lockwasher	2
7a	BB022 - Clevis Pin	2	27	GT086 - M10 x 25 Hex Screw	2
8	GN021 - M8 Hex Full Nut	2	28	CB614 - Connector Rod	1
9	CB652 - Connector Rod	2	29	GT027 - M6 x 20 Hex Screw	1
9a	CB773 - Connector Rod, S2D/RS	2	30	CB573 - Connector, drive lever	1
10	GT092 - M8 x 40 Hex Screw	2	31	MA586 - Drive Linkage	1
11	BB108 - Rod End	3	32	CB580 - Cover, cable trough	1
12	CB668 - Drive Lever - Right Hand	1	33	CB634 - Support, main handlebar	1
13	GN027 - M8 Hex Jam Nut (Half-height)	2	34	CB681 - Bracket, side panel - lower	1
13a	GW032 - M8 Flat Washer	2	35	GT203 - M6 x 12 Hex Flanged Sheet Metal Screw	0
14	CB609 - Adjuster Screw	1	36	CB670 - Bracket Mounting	1
15	GB056 - DU Bush	2	37	CB672 - Guard, ancillary block	1
16	GT165 - M8 x 60 Hex Screw	1	38	CB728 - Drive Lever - Left Hand	1

Handle & Controls (from CIN 117)

Model: **414RS**
 From CIN: **117** To CIN: **999**
 Drawing: **AS064-10** Revision:

AS064-10

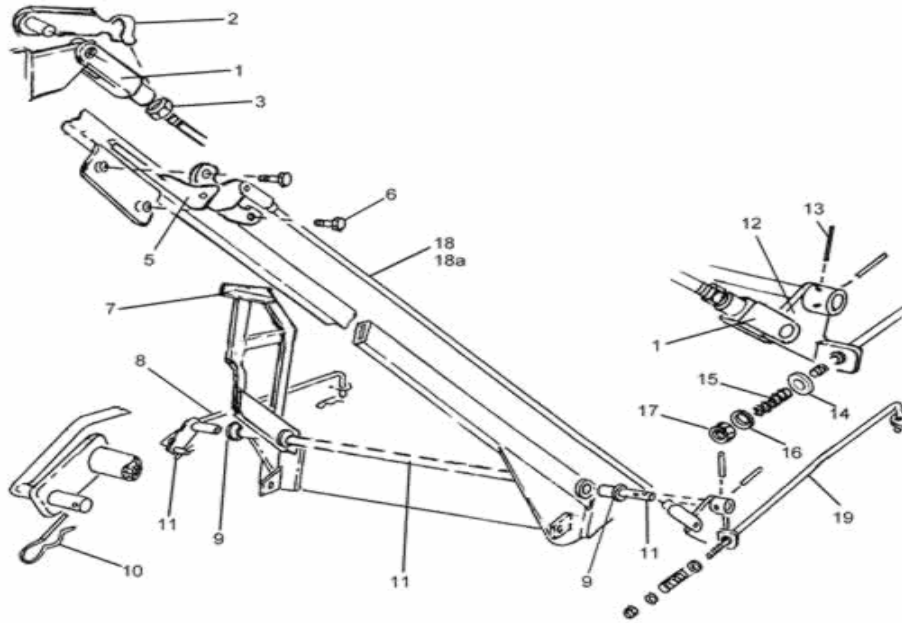


39	GT262 - M8 x 55 Button Head Screw	1	67	BB045 - Bracket for cable (keyhole shape)	3
41	GT097 - M8 x 35 button head screw st.st.	1	68	GN011 - M6 Locknut - Nylon	3
42	CB648 - Pivot Pin	1	70	CB767 - Handlebar, fixed S2D/RS	1
44	GG174 - Knob - Adjustable Handle	1	71	GM128 - Handle grip	2
45	ES157 - Horn	1	72	CB150 - Bracket for water valves	1
46	HC122 - Scraper Seal	2	73	GT159 - Screw, M6 x 16	1
48	GG147 - Slip on receptacle	1	74	GW031 - Washer M6 Form C	1
49	CB710 - Bushing, handles	2	75	GN011 - M6 Locknut - Nylon	1
53	BB093 - Connector	1	76	ES053 - Bulb - festoon type - 12V 5W	2
55	BB109 - Flap Cable (414 from CIN117 and all 4	1	77	ES050 - Rear Light	2
56	GG179 - Adjuster	1			
57	BB029 - Spring (Flap Cable)	1			
59	NN107 - Cable clamp assembly	1			
60	BB110 - Brush Control Cable (414 from CIN 117	1			
61	BB058 - Cable - Manual Stop	1			
62	GN006 - M5 Locknut - Nylon	1			
63	GW008 - M5 Flat Washer	1			
64	BB049 - Nipple - stop control cable	1			
65	BB111 - Throttle Cable (414 from CIN117 and a	1			
66	GT050 - M8 x 16 Button Head Screw	3			

Parking Brake

Model: **414RS**
 From CIN: **1** To CIN: **999**
 Drawing: **AS007-10** Revision:

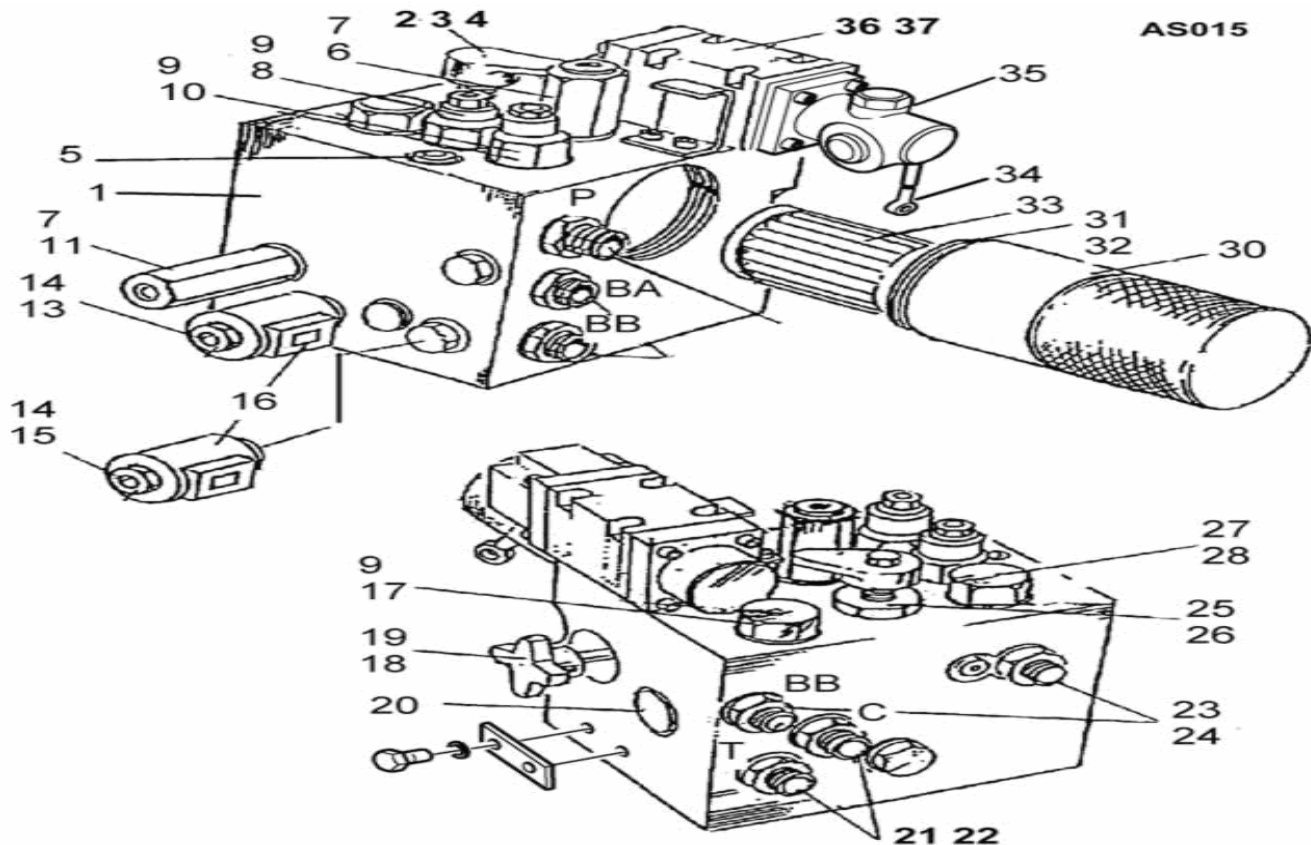
AS007-10



1	BB006 - Clevis yoke	2
2	BB022 - Clevis Pin	2
3	GN027 - M8 Hex Jam Nut (Half-height)	2
5	MA121 - Lever for handbrake	1
6	GT028 - M8 x 20 Setscrew	2
7	CB624 - Bracket for Air Filter	1
8	MA191 - Brake Linkage (Left side)	1
9	MA123 - Bearing - Nylon	2
10	BB044 - R Pin	3
11	MA161 - Cross Shaft	1
12	MA163 - Segment Lever	1
15	MA158 - Spring	1
16	GW038 - M6 Flat Washer	1
17	GN011 - M6 Locknut - Nylon	1
18	MA828 - Brake Linkage	1
19	MA164 - Brake Linkage (Right side)	1

Hydraulic Control Block (Series 2 to CIN107)

Model: **414RS**
 From CIN: **1** To CIN: **107**
 Drawing: **AS015** Revision:

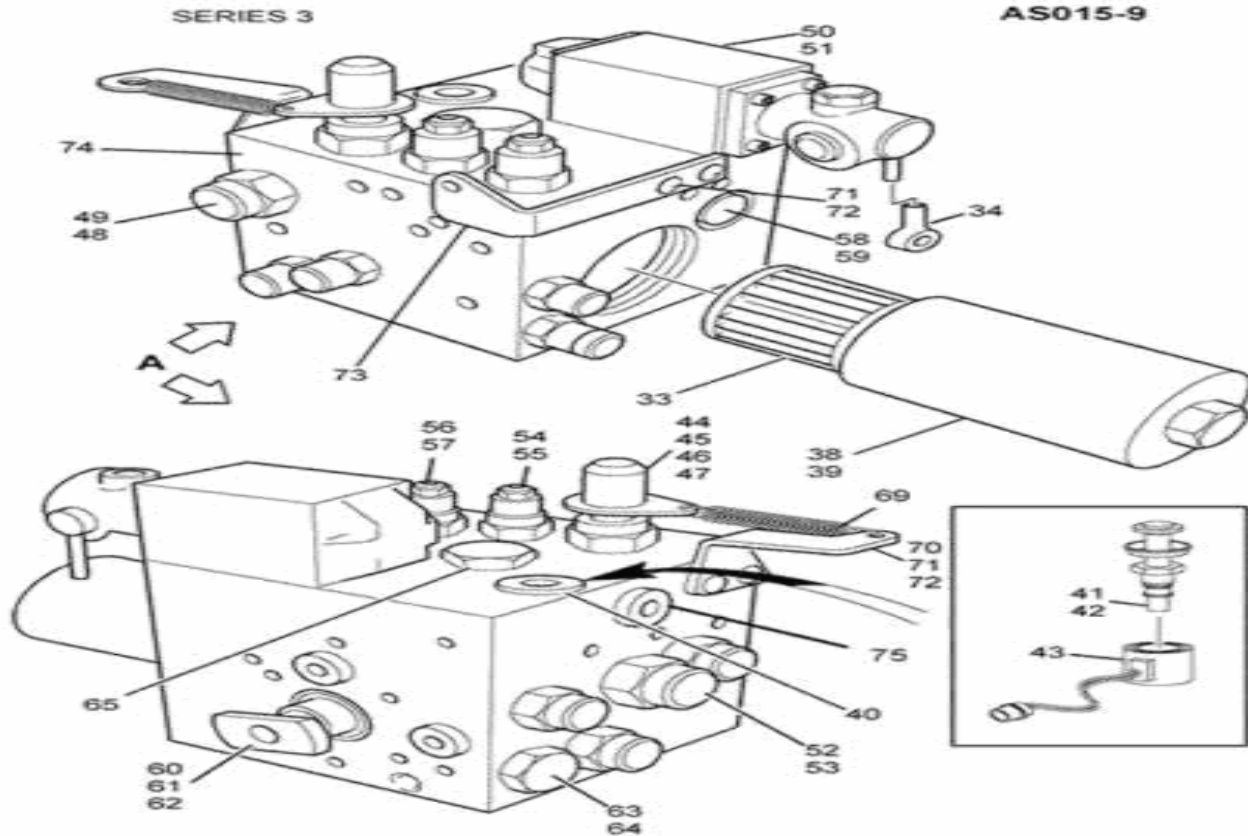


Series 2 hydraulics were fitted to 414 Green Machines up to CIN 107. For later machines please Series 3 hydraulics.

1	HC061 - Hydraulic Block Assy. (Series 2)	1	30	HC062 - Filter Bowl	1
2	CB142 - Lever - Brush Speed (Series 2 Hydraul	1	31	HC097 - Seal Kit	1
3	HF045 - Cone for brush control (Series 2 hydr	1	33	HC058 - Filter Element	1
4	GG091 - Torsion Spring - brush control	1	34	BB007 - Rose Bearing	1
5	HC022 - Shuttle Valve (Series 2)	1	35	HV020 - Spool Valve - Closed center (Series 2	1
6	HC013 - Main Pressure Relief Valve (Series 2)	1	36	HV020 - Spool Valve - Closed center (Series 2	1
7	HC041 - Seal Kit- Pressure relief valve (Seri	1			
8	HC016 - Forward Brake Valve (Series 2)	1			
10	HC035 - Reverse Brake Valve (Series 2)	1			
11	HC019 - Reverse Pressure Relief Valve (Series	1			
14	ES043 - Solenoid Valve (Series 2)	2			
16	HC023 - Solenoid Coil (Series 2)	2			
18	HC017 - Needle Valve (Series 2)	1			
20	HC020 - Check Valve (Series 2)	1			
21	HF006 - Hydraulic Stud Coupling - 3/8 Male to	2			
23	HF046 - Hydraulic Stud Coupling - 1/4 Male to	2			
25	HC064 - Rotary Valve - Brush Speed (Series 2)	1			
27	HC014 - Flow Control Valve (Series 2)	1			

Hydraulic Control Block (Series 3 from CIN 108)

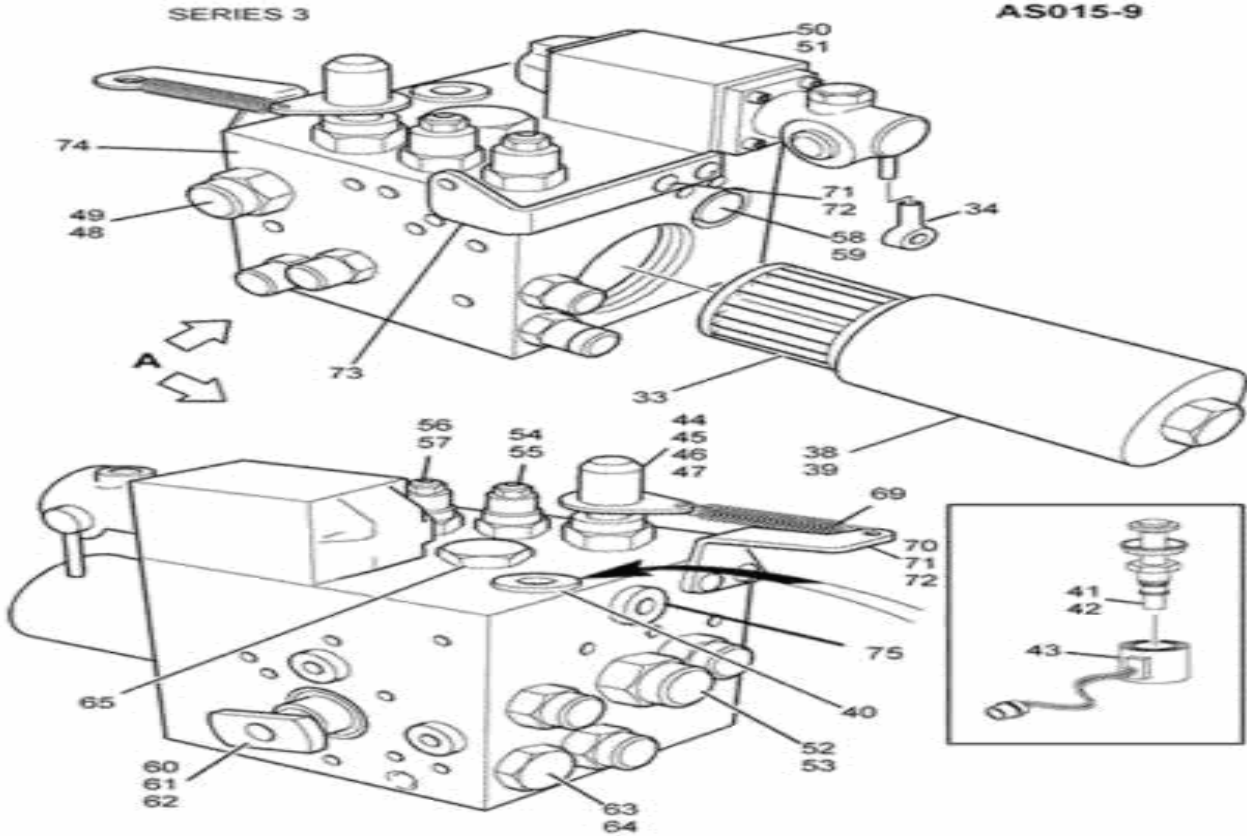
Model: 414RS
 From CIN: 108 To CIN: 999
 Drawing: AS015-9 Revision:



33	HC058 - Filter Element	1	55	HV043 - Seal Kit	1
34	BB007 - Rose Bearing	1	56	HV041 - Valve, Forward Counterbalance	1
38	HC062 - Filter Bowl	1	57	HV043 - Seal Kit	1
39	HC097 - Seal Kit	1	58	HV062 - Valve, Check	1
40	HF071 - Plug - DEA Cavity	1	59	HV045 - Seal Kit	1
41	HV027 - Solenoid Valve with coil - DEA	1	60	HV049 - Valve, Free-wheel Shutoff	1
42	HV030 - Seal Kit	1	61	HV051 - Seal Kit	1
43	HV029 - Coil for HV027	1	62	HV050 - Knob for HV049	1
44	HV035 - Valve Rotary, brush speed	1	63	HV044 - Valve, Oil Cooler Bypass Check	1
45	HV037 - Orifice Disc	1	64	HV045 - Seal Kit	1
46	HV036 - Seal Kit	1	65	HF074 - Plug - Reverse Override	1
47	HV038 - Lever Arm Kit for HV035	1	66	HV046 - Solenoid Valve - Reverse Override	1
48	HV039 - Valve, priority flow	1	67	HV045 - Seal Kit	1
49	HV040 - Seal Kit for HV039	1	68	HV048 - Coil for solenoid valve	1
50	HV056 - Spool Valve - Open Center (Series 3)	1	69	GG160 - Spring	1
51	HC069 - Seal Kit	1	70	CB454 - Spring Anchor Bracket	1
52	HV060 - Valve, Priority Flow Control	1	71	GT075 - M5 x 12 Hex Screw	1
53	HV061 - Seal Kit for HV060	1	72	GW008 - M5 Flat Washer	1
54	HV042 - Valve, Reverse Counterbalance	1	73	CB450 - Bracket, brush cable	1

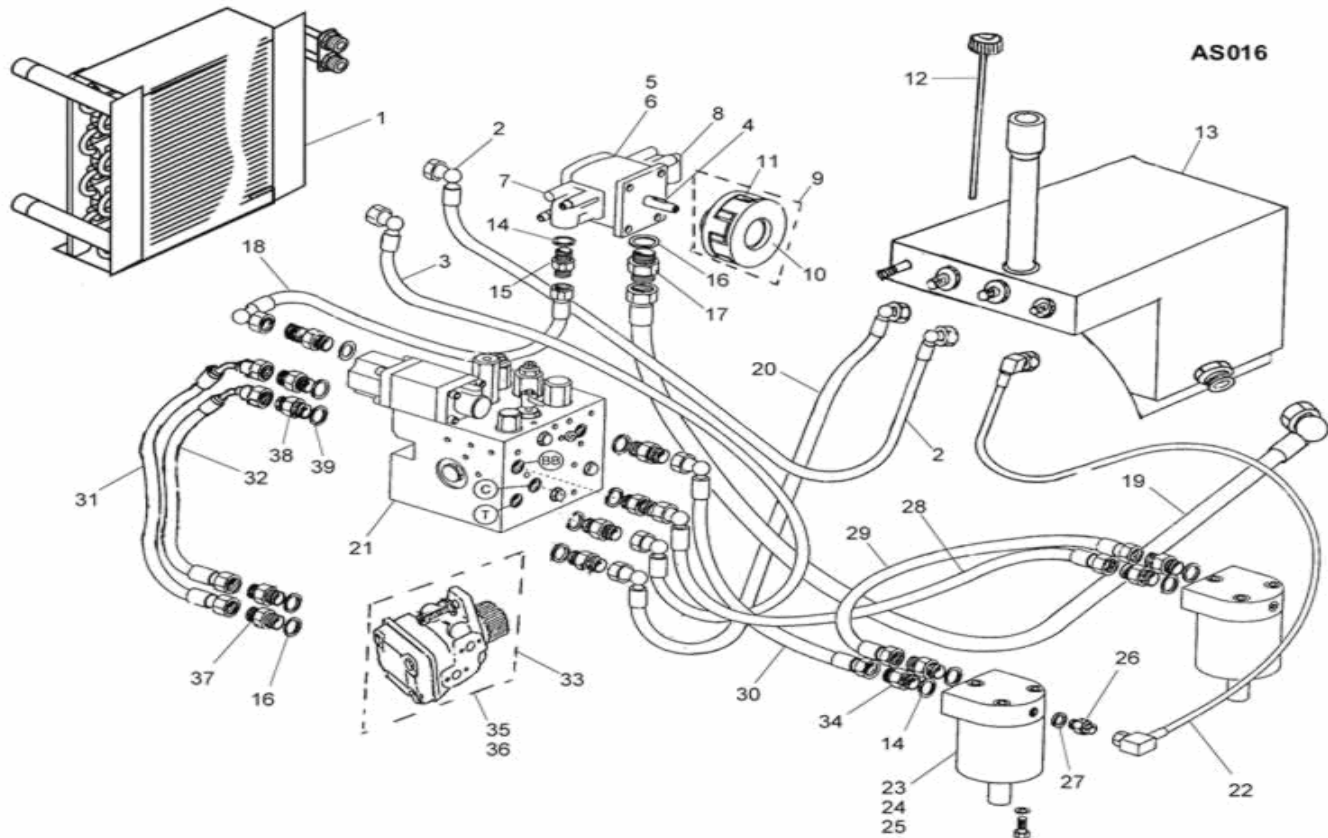
Hydraulic Control Block (Series 3 from CIN 108)

Model: 414RS
From CIN: 108 To CIN: 999
Drawing: AS015-9 Revision:



Hydraulic System (Series 2 to CIN 107)

Model: **414RS**
 From CIN: **1** To CIN: **107**
 Drawing: **AS016** Revision:

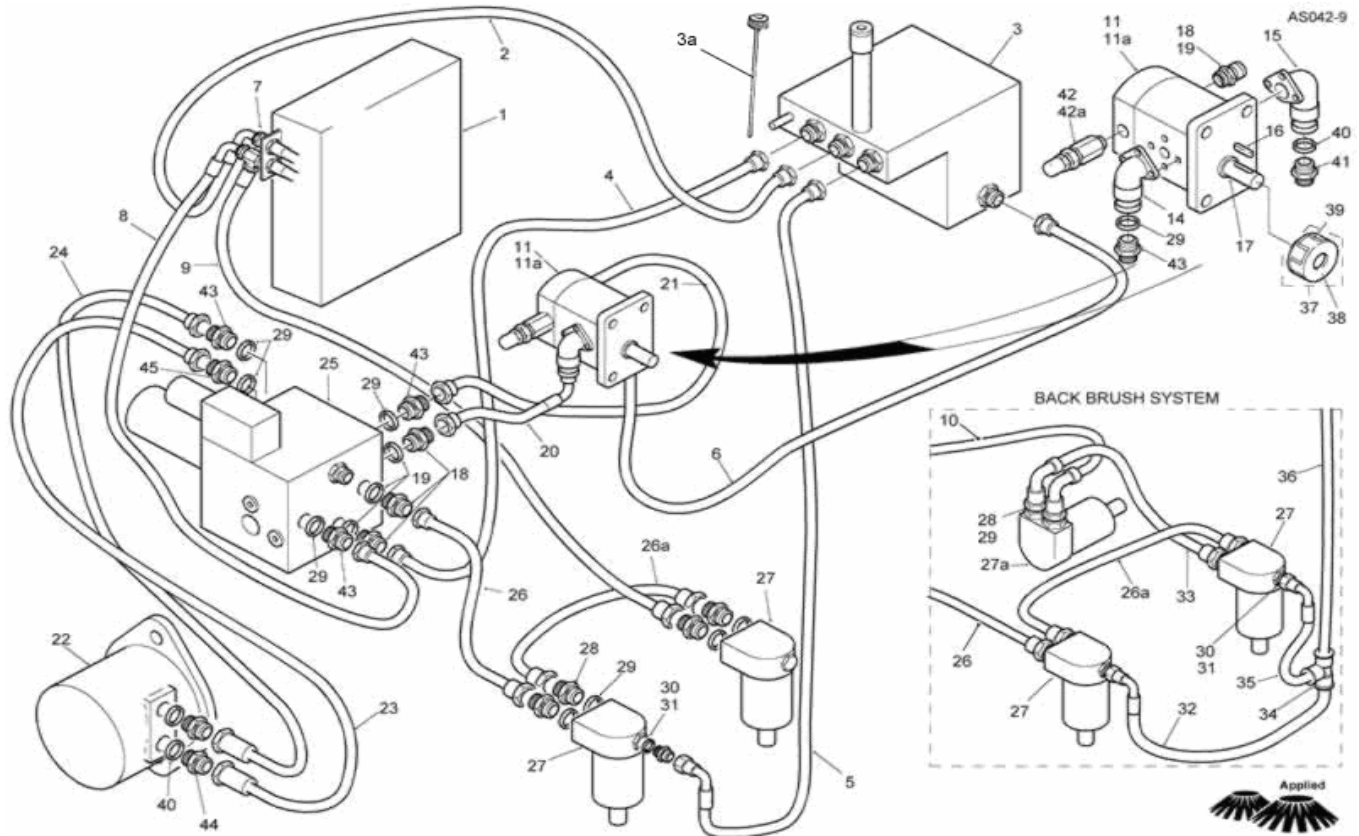


Series 2 hydraulics were fitted to 414 Green Machines up to CIN 107. For later machines please Series 3 hydraulics.

1	HC054 - Hydraulic Oil Cooler (Standalone)	1	21	HC061 - Hydraulic Block Assy. (Series 2)	1
2	HJ045 - Hydraulic Hose - oil cooler to tank	1	22	HJ042 - Hydraulic Hose - bleed	1
3	HJ055 - Hydraulic Hose - port C to cooler	1	23	HM005 - Hydraulic Motor - Brush Drive	2
4	HM017 - Key for Hydraulic Pump	1	26	HF030 - Hydraulic Stud Coupling - 1/8 Male to	1
5	HP001 - Hydraulic Pump (Series 2)	1	27	HF016 - Hydraulic Bonded Seal - 1/8 BSP (9mm)	1
7	HP006 - Elbow for Pump - 3/8 BSP (Series 2)	1	28	HJ048 - Hydraulic Hose - brush motor left to	1
8	HP007 - Elbow for Pump - 1/2 BSP (Series 2)	1	29	HJ046 - Hydraulic Hose - brush motor right to	1
9	TC001 - Drive Coupling	1	30	HJ047 - Hydraulic Hose - port BA to right bru	1
11	TC008 - Plastic Gear for Drive Coupling	1	31	HJ071 - Hydraulic Hose - port MA to drive mot	1
12	HT011 - Hydraulic Filler Cap and Dipstick	1	32	HJ072 - Hydraulic Hose - port MB to drive mot	1
13	HT020 - Hydraulic Tank RS/S2D/TR	1	33	HM019 - Hydraulic Drive Motor - 414S2D, 414RS	1
14	HF006 - Hydraulic Stud Coupling - 3/8 Male to	8	37	HF017 - Hydraulic Adaptor Coupling - 1/2 Male	2
15	HF006 - Hydraulic Stud Coupling - 3/8 Male to	2	38	HF006 - Hydraulic Stud Coupling - 3/8 Male to	2
16	HF011 - Hydraulic Bonded Seal - 1/2 BSP (20mm)	1	39	HF010 - Hydraulic Bonded Seal - 3/8 BSP (16mm)	2
17	HF036 - Hydraulic Adaptor Coupling - 3/4 Male	1			
18	HJ031 - Hydraulic Hose - pump to manifold blo	1			
19	HJ043 - Hydraulic Hose - hydraulic tank to pu	1			
20	HJ044 - Hydraulic Hose - port T to tank	1			

Hydraulic System (Series 3 from CIN 108)

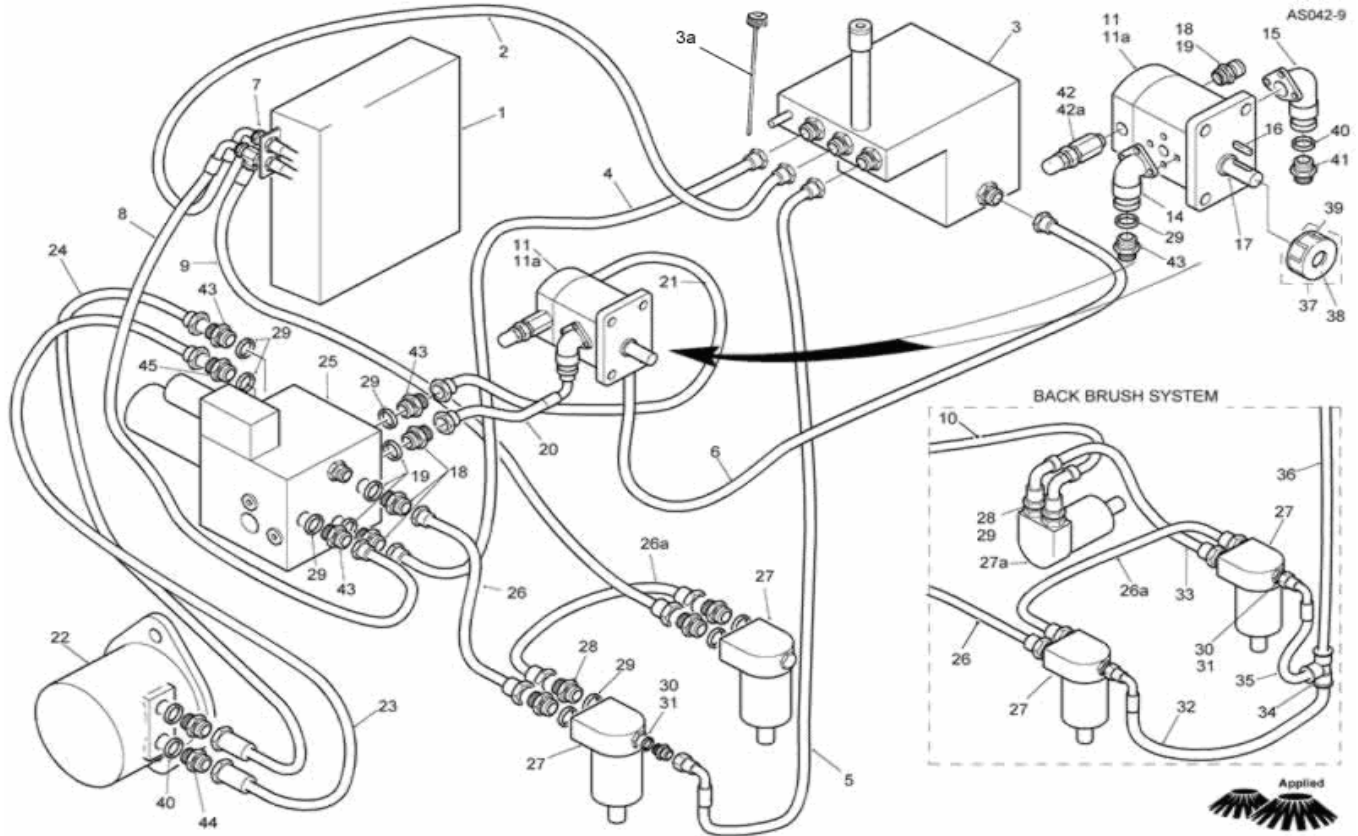
Model: **414RS**
 From CIN: **108** To CIN: **999**
 Drawing: **AS042-9a** Revision:



2	HJ105 - Hydraulic Hose	1	22	HM019 - Hydraulic Drive Motor - 414S2D, 414RS	1
3	HT020 - Hydraulic Tank RS/S2D/TR	1	23	HJ124 - Hydraulic Hose	1
3a	HT011 - Hydraulic Filler Cap and Dipstick	1	24	HJ125 - Hydraulic Hose	1
4	HJ044 - Hydraulic Hose - port T to tank	1	25	HC095 - Hyd. Manifold assy, w/o rexroth	1
5	HJ042 - Hydraulic Hose - bleed	1	26	HJ047 - Hydraulic Hose - port BA to right bru	2
6	HJ043 - Hydraulic Hose - hydraulic tank to pu	1	26a	HJ046 - Hydraulic Hose - brush motor right to	1
7	HF049 - Coupling 3/8	1	27	HM005 - Hydraulic Motor - Brush Drive	2
8	HJ105 - Hydraulic Hose	1	27a	HM005 - Hydraulic Motor - Brush Drive	1
9	HJ130 - Hose Hyd. oil cooler /lh brush motor	1	28	HF042 - Hydraulic Adaptor Coupling - 3/8 Male	4
10	HJ131 - Hose Hyd, oilcooler/ b/brush motor	1	29	HF010 - Hydraulic Bonded Seal - 3/8 BSP (16mm	0
11	HP012 - Hydraulic Pump (Series 3)	1	30	HF030 - Hydraulic Stud Coupling - 1/8 Male to	1
11a	HP013 - Seal Kit for HP012	1	31	HF016 - Hydraulic Bonded Seal - 1/8 BSP (9mm)	1
14	HP011 - Elbow for Pump - 3/8 BSP (Series 3)	1	32	HJ110 - RH Brush Motor to Tee	2
15	HP010 - Elbow for Pump - 1/2 BSP (Series 3)	1	33	HJ100 - Hose Assy, LH Brush to Back Brush Mot	1
16	HM017 - Key for Hydraulic Pump	1	34	HF063 - Coupling Tee, 1/4 BSP M/M/M	1
18	HF046 - Hydraulic Stud Coupling - 1/4 Male to	3	35	HJ111 - Hose Hyd, Bleed T to RH	1
19	HF044 - Hydraulic Bonded Seal - 1/4 BSP (12mm	3	36	HJ109 - Hose Assy Bleed Tee to Hyd Tank	1
20	HJ123 - Hydraulic Hose	1	37	TC001 - Drive Coupling	1
21	HJ126 - Hydraulic Hose	1	39	TC008 - Plastic Gear for Drive Coupling	1

Hydraulic System (Series 3 from CIN 108)

Model: **414RS**
 From CIN: **108** To CIN: **999**
 Drawing: **AS042-9a** Revision:

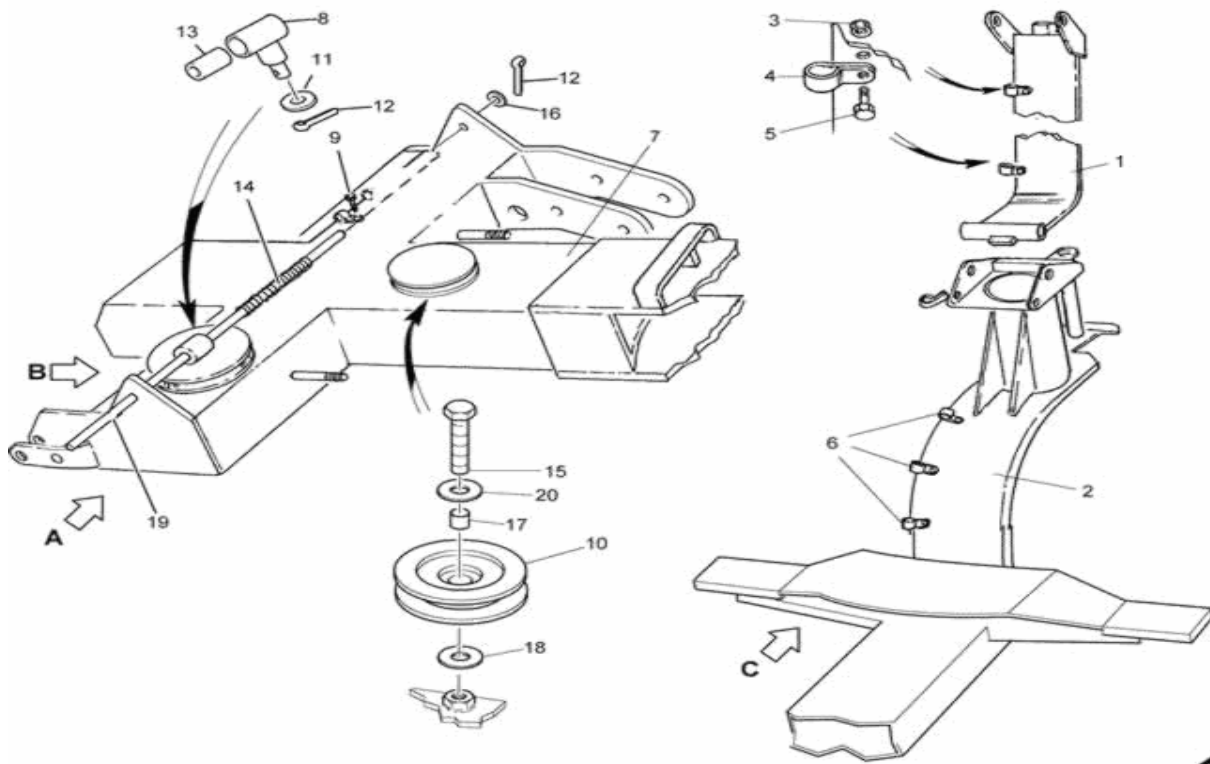


40	HF011 - Hydraulic Bonded Seal - 1/2 BSP (20mm)	1
41	HF036 - Hydraulic Adaptor Coupling - 3/4 Male	1
42	HV065 - Pressure Relief Valve	1
42a	HV066 - Seal Kit	1
43	HF006 - Hydraulic Stud Coupling - 3/8 Male to	1
44	HF017 - Hydraulic Adaptor Coupling - 1/2 Male	1
45	HF005 - Coupling 3/8	1

Enhanced Rear Lighting - Lower (414RS)

Model: **414RS**
 From CIN: **1** To CIN: **999**
 Drawing: **AS003-10** Revision:

AS003-10

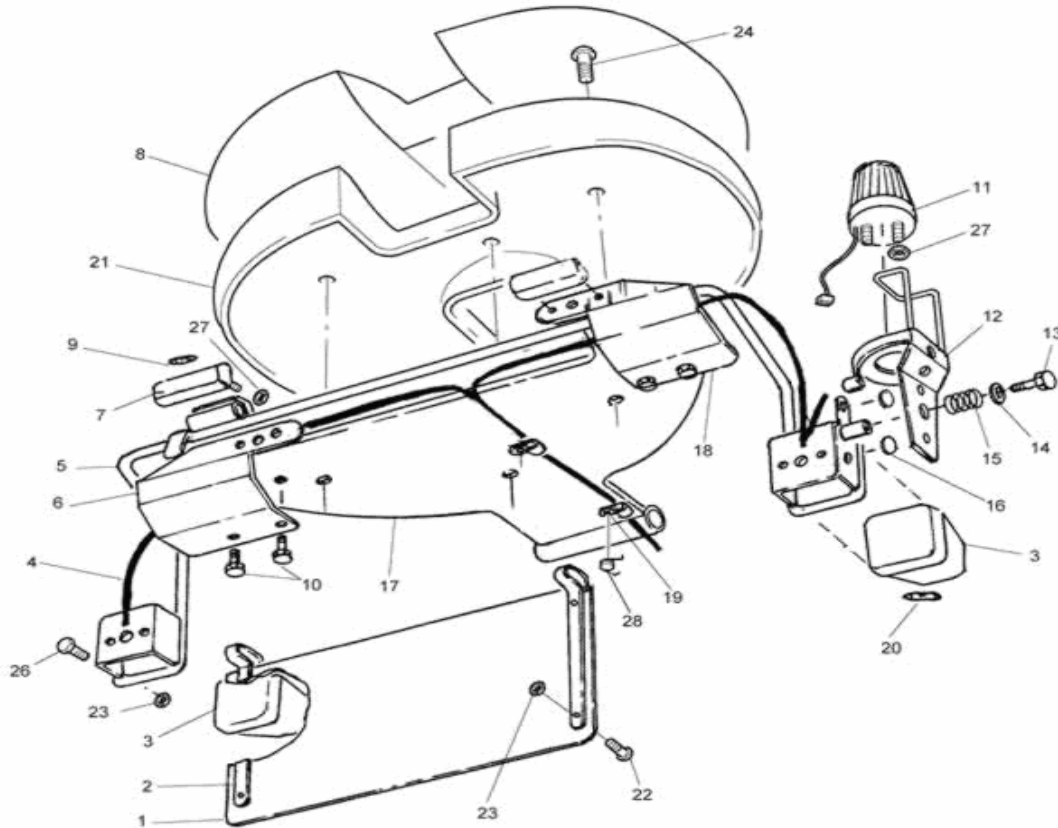


1	MA048 - Seat Upright	1
3	GN006 - M5 Locknut - Nylon	2
4	BB076 - P Clip - rubber lined - 8 mm	6
5	GT075 - M5 x 12 Hex Screw	2
6	GM011 - Cable ties (small)	3
8	MA320 - Pivot Pulley, from CIN 93	1
10	MA304 - Pulley Guide	2
11	GW013 - M10 Flat Washer	1
12	GG132 - Pin, Split - 3/32 x 3/4 - ST.ST.	3
13	GB037 - Bush	1
14	MA236 - Spring, compression	1
15	GT028 - M8 x 20 Setscrew	1
16	GW006 - Washer, 5/16	3
17	GB034 - Bush, Oilite	1
18	GW054 - Washer 18 o/d x 8.5 i/d x 4	1
19	MA354 - Bar, Shuttle Rail	1
20	GW021 - Washer, M8 x 25	1

Enhanced Rear Lighting - Seat (414RS)

Model: **414RS**
 From CIN: **1** To CIN: **999**
 Drawing: **AS004-9** Revision:

AS004-9

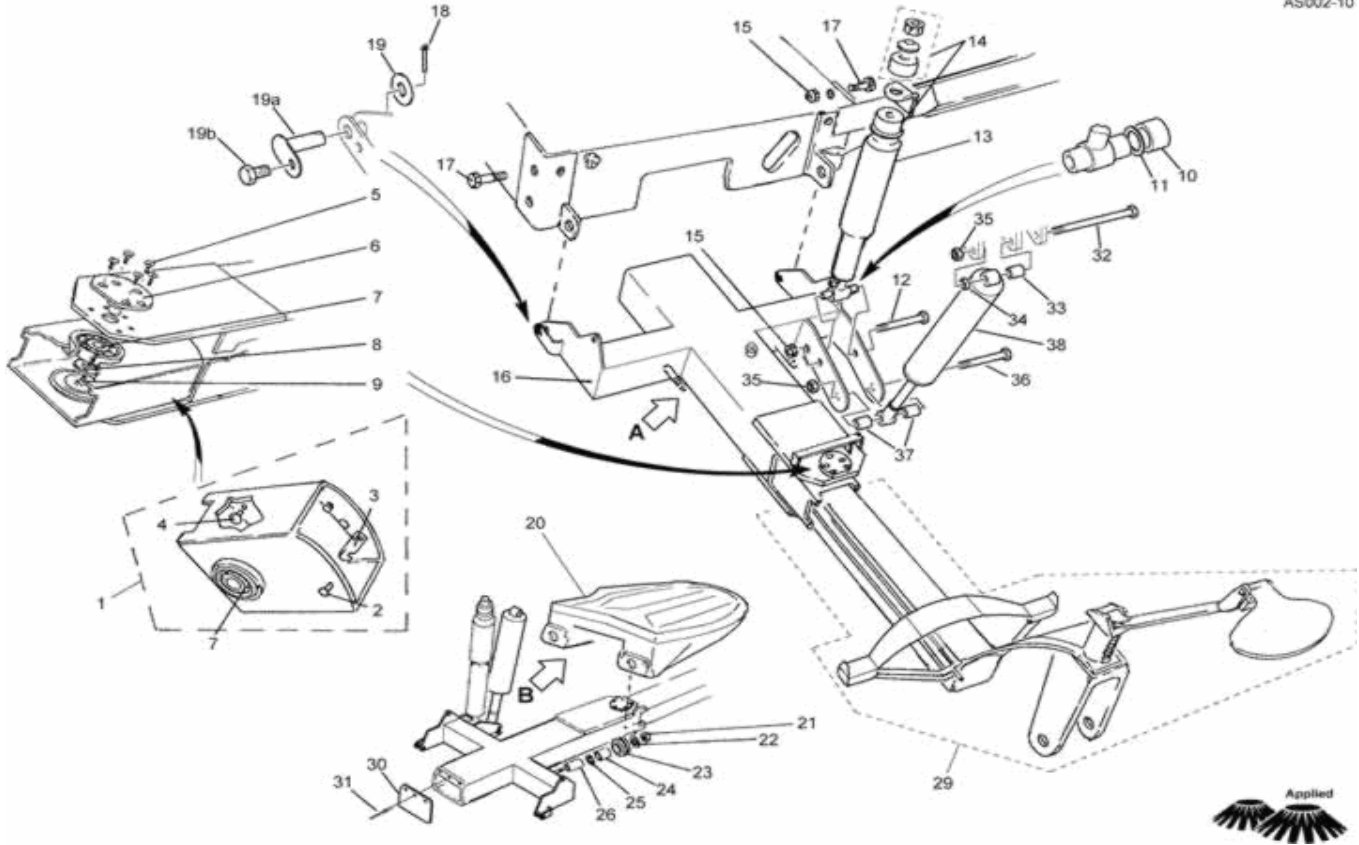


1	MA242 - Backing Plate, number plate	1	20	ES053 - Bulb - festoon type - 12V 5W	2
2	MA246 - Bracket - Hanging - Number Plate	2	21	MA239 - Seat Moulding	1
3	ES050 - Rear Light	2	22	GT194 - M5 x 12 button head screw	4
4	EW062 - Wiring loom - enhanced lights	1	23	GN042 - M5 Locknut - nylon	8
5	MA241 - Lighting Frame	1	24	GT050 - M8 x 16 Button Head Screw	3
6	MA247 - Bracket, Left Hand Mounting. No. plat	1	25	GW008 - M5 Flat Washer	4
7	ES062 - Light - number plate	2	26	GT136 - M5 x 20 Button Head Screw	4
8	MA281 - Padded Seat Cushion - 414RS with Rear	1	27	GN006 - M5 Locknut - Nylon	6
9	ES053 - Bulb - festoon type - 12V 5W	2	28	MA369 - Torsion Spring	1
10	GT050 - M8 x 16 Button Head Screw	4			
11	ES137 - Beacon (small) - from May 99	1			
12	MA237 - Bracket for rear seat beacon	1			
13	GT152 - M8 x 35 button head screw	1			
14	GW032 - M8 Flat Washer	1			
15	MA238 - Spring, Compression	1			
16	MA128 - Button - Nylon	2			
17	MA240 - Seat Plate	1			
18	MA248 - Bracket, Right Hand Mounting. No plat	1			
19	BB076 - P Clip - rubber lined - 8 mm	2			

Seat Tow Bar (414RS)

Model: **414RS**
 From CIN: **1** To CIN: **999**
 Drawing: **AS002-10** Revision: **A**

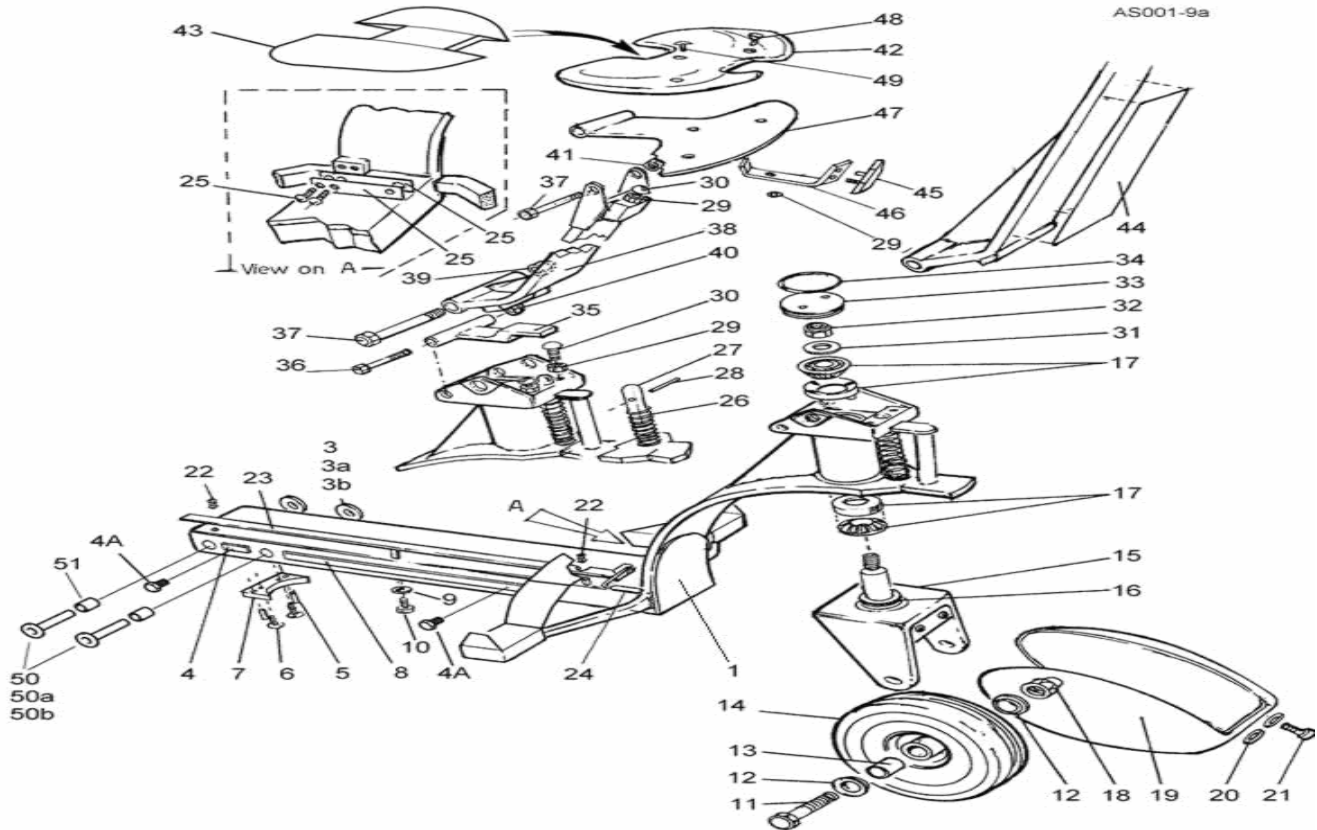
AS002-10



1	MA321 - Swivel box assembly with rollers	1	19a	MA391 - Clevis Pin	2
2	MA134 - Pivot for lock hook	1	19b	GT203 - M6 x 12 Hex Flanged Sheet Metal Screw	2
3	MA143 - Lock Hook assembly	1	20	MA300 - Hinged Bag Tray Assy.	1
4	MA128 - Button - Nylon	1	23	GM104 - Grommet - rubber - 11 dia x 19 x 25 m	1
5	GT234 - M6 x 10 Low Head Socket Cap Screw	0	24	GB017 - Spacer, 10 dia x 8.5 x 12 lg	1
6	MA331 - Swivel Pin	1	26	GB035 - Spacer 12 dia x 8.5 x 34 lg	2
7	MA028 - Swivel Bearing	2	30	MA290 - Rubber Flap - for RS seat	1
8	MA332 - Washer - Stepped for swivel	2	32	GT158 - Bolt - hex head, M10 x 110	1
9	GT235 - M6 x 12 Low Head Socket Cap Screw	2	33	MA683 - Spacer, spring strut top	1
10	MA218 - Spacer - Damper - Lower	2	34	MA684 - Spacer, top spring strut	1
11	MA217 - Washer, lower damper	2	35	GN019 - M10 Locknut - Nylon	2
12	GT144 - M8 x 90 Hex Screw	1	36	GT209 - M10 x 100 Hex Bolt - Grade 10.9	1
13	MA056 - Shock Absorber Assy.	1	37	MA685 - Spacer, bottom spring strut	2
14	MA286 - Upper Bushing Kit - for shock absorbe	1	38	MA571 - Spring Strut Assy.	1
15	GN004 - M8 Locknut - Nylon	7	55a	GB031 - Bush, Flanged DU - 12 I/D x 14 O/D x	4
16	MA334 - Tow Bar assy.	1	99z	GT209 - M10 x 100 Hex Bolt - Grade 10.9	7
17	GT089 - M8 x 35 Hex Setscrew	6			
18	GG105 - Cotter Pin (1/8 in x 1 in)	2			
19	GW019 - M12 Flat Washer	2			

Seat Trailer (414RS)

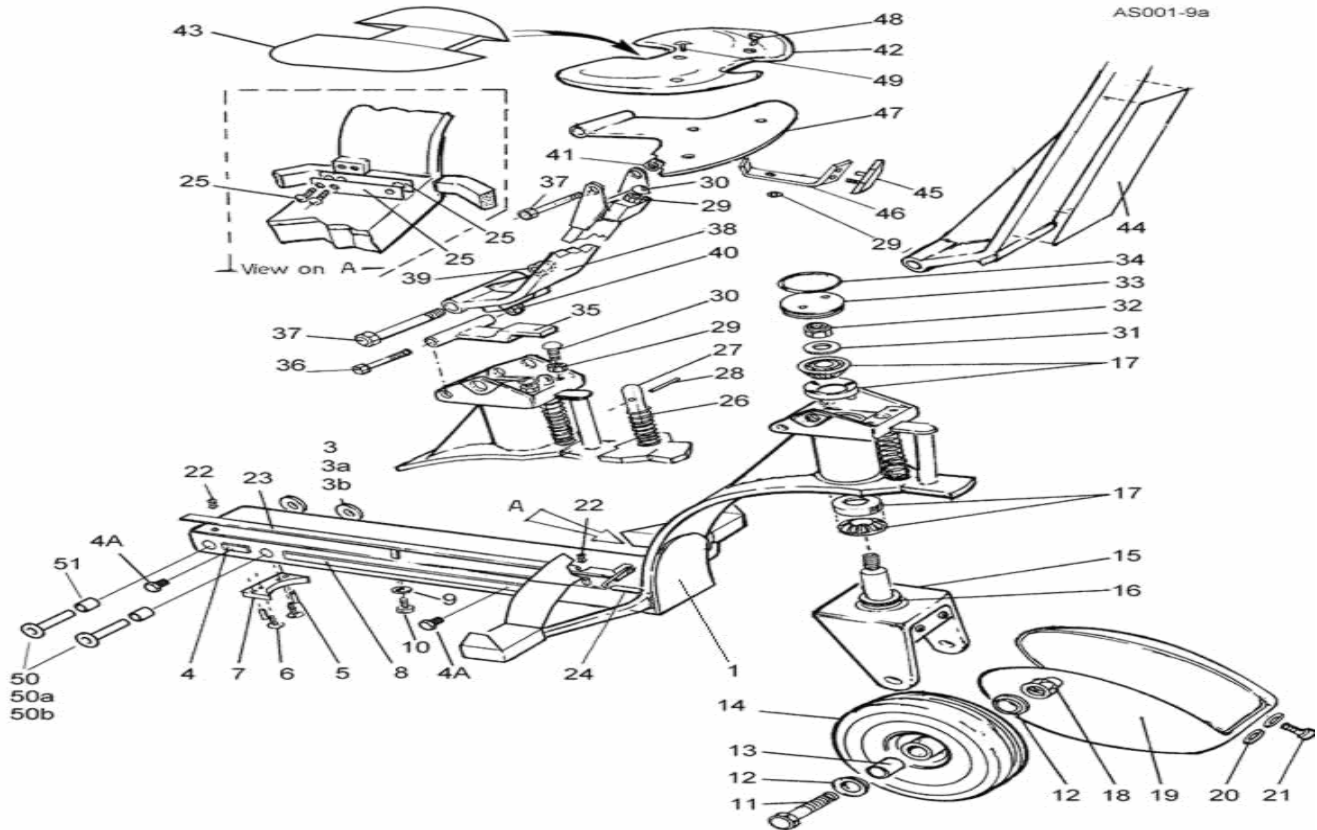
Model: **414RS**
 From CIN: **1** To CIN: **999**
 Drawing: **AS001-9A** Revision:



1	MA978 - Trailer Bar (CIN 116)	1	21	GT027 - M6 x 20 Hex Screw	2
3	MA970 - Guide Roller - Small (CIN116)	4	22	MA091 - Latch Peg	2
4	MA981 - Guide, Nylon - Short (CIN116)	2	23	MA034 - Release Lever	1
4a	GT149 - Screw C/S, M4 x 12	2	24	GG043 - Plastic Cap	1
5	MA194 - Dowel Pin - Solid 6 x 12	2	25	MA257 - Spring Release Lever Assy.	1
6	GT170 - M5 x 12 Countersunk Flat Head Socket	2	25a	GT153 - M4 x 6 Button Head Screw	2
7	MA133 - End Stop - Nylon	1	26	MA051 - Spring	1
8	MA980 - Guide, Nylon - Large (CIN116)	2	27	MA050 - Locking Plunger	1
9	GW022 - M4 Flat Washer	1	28	GG127 - Roll Pin, 3mm x 24 lg	1
11	GT173 - M12 x 130 Hex Bolt	1	29	GN027 - M8 Hex Jam Nut (Half-height)	6
12	MA039 - Spacer for castor	1	30	GT152 - M8 x 35 button head screw	3
13	MA038 - Castor Sleeve	1	31	GW061 - Thrust Washer M16	1
14	TW039 - Rear Wheel/Tire (414RS) - Puncture Re	1	32	GN036 - M16 Locknut - Nylon	1
15	MA041 - Fork Assembly for castor	1	33	MA045 - Sealing cap for bearing	1
16	MA043 - Seal for bearing	1	34	MA046 - O Ring	1
17	MA042 - Bearing - Fork Swivel	2	35	MA049 - Cam Assy.- For Locking Plunger	1
18	GN020 - M12 Locknut - Nylon	1	36	GT150 - M6 x 90 Hex Screw	1
19	MA053 - Mudguard Moulding	1	37	GT209 - M10 x 100 Hex Bolt - Grade 10.9	2
20	GW038 - M6 Flat Washer	2	38	MA048 - Seat Upright	1

Seat Trailer (414RS)

Model: **414RS**
 From CIN: **1** To CIN: **999**
 Drawing: **AS001-9A** Revision:

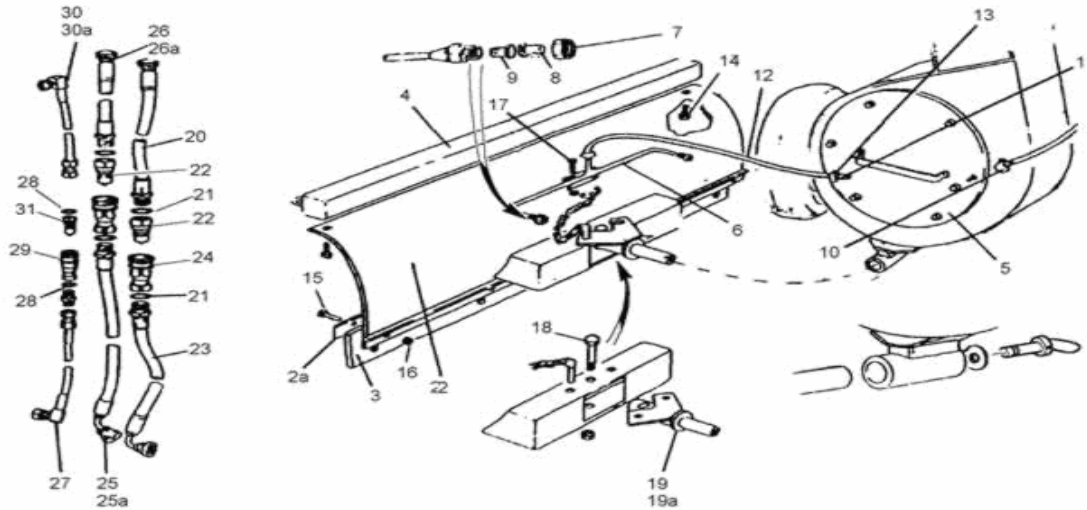


39	GN045 - M10 Locknut, nylon	1
40	GN011 - M6 Locknut - Nylon	1
41	GN019 - M10 Locknut - Nylon	2
42	MA052 - Seat Moulding - no rear lights	1
43	MA282 - Padded Seat Cushion - 414RS without r	1
45	MA340 - Rear Reflector	2
46	MA226 - Bracket - reflector mounting	2
47	MA047 - Seat Plate assy.	1
48	GT054 - M8 x 20 Button Head Socket Screw	2
49	GT050 - M8 x 16 Button Head Screw	1
50	MA973 - Roller Axle - Small (CIN116)	2
50a	MA374 - Roller Axle, Medium (CIN 115 only)	2
50b	MA375 - Roller Axle, Large (CIN 115 only)	2
51	GB030 - Bush, flanged	4

Snowplow Option

Model: **414RS**
 From CIN: **1** To CIN: **999**
 Drawing: **AS023-9** Revision:

AS023

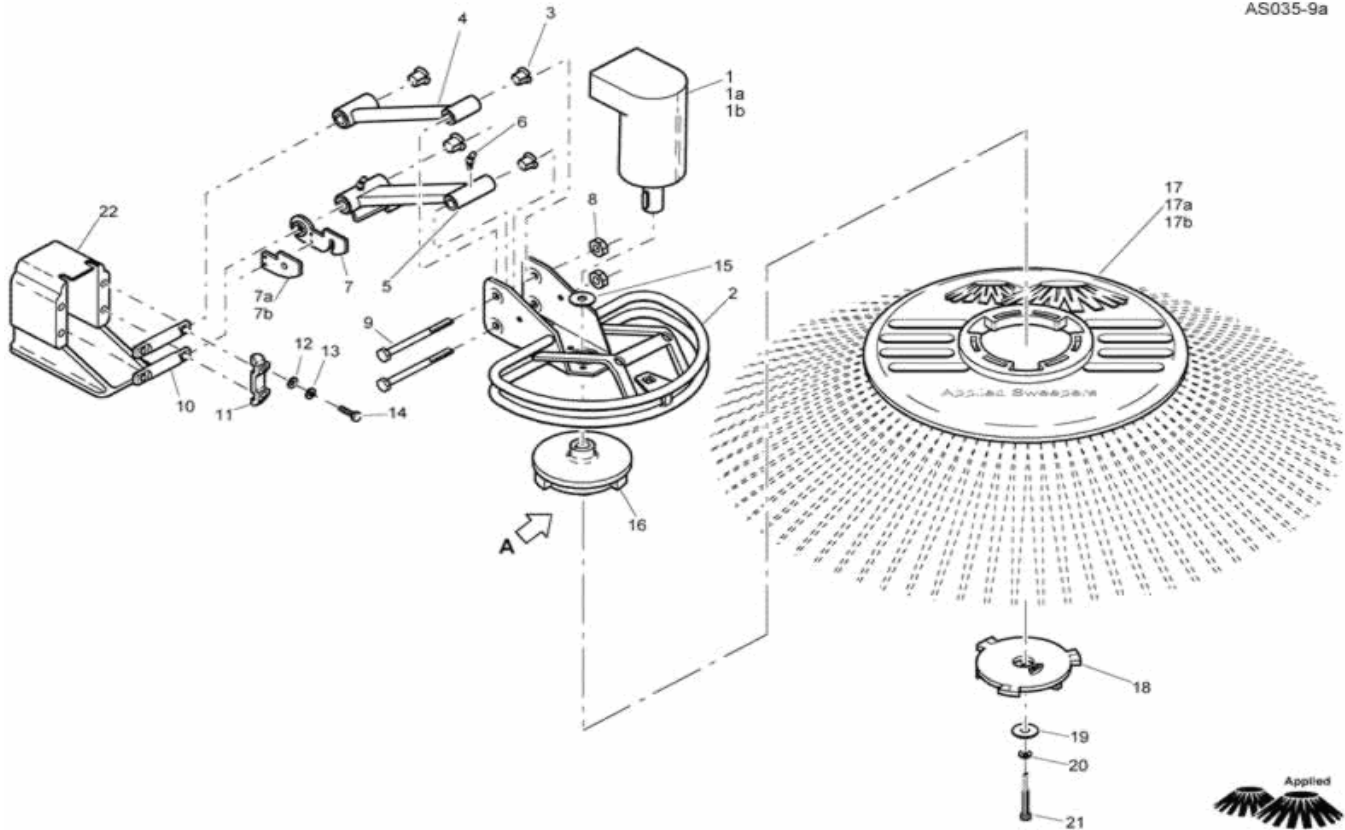


3	AS006 - Rubber blade - snowplough	1	23	HJ051 - Hydraulic Hose - Hose DM2 to snap	1
4	AS022 - Counterbalance Weight	1	24	HF054 - Hydraulic Quick-Release Coupling - Fe	1
5	AS004 - Blanking Plate	1	25	HJ140 - Hydraulic Hose - cooler T to QR femal	1
6	WP071 - Spray Bar - Snowplough	1	26	HJ049 - Hydraulic Hose - DM1 to snap D	1
7	WP016 - Cap Nut	2	27	HJ054 - Hydraulic Hose - bleed tank to snap	1
8	WP056 - - Spray Jet - Orange	2	28	HF044 - Hydraulic Bonded Seal - 1/4 BSP (12mm)	1
9	WP020 - Filter with anti-drip valve	2	29	HF060 - Hydraulic Quick Release Coupling - Fe	1
10	WA019 - Hose Fitting	1	30	HJ053 - Hydraulic Hose - bleed to DM1 snap	1
11	WA012 - Water Tap - Quick Release Hose	2	31	HF059 - Hydraulic Quick Release Coupling - Ma	1
12	WA004 - Black Water Hose	4			
13	PG008 - O Clip - 1/2 in.	4			
14	GT086 - M10 x 25 Hex Screw	6			
15	GT042 - M8 x 30 Hex Screw	6			
16	GN004 - M8 Locknut - Nylon	6			
17	GT027 - M6 x 20 Hex Screw	1			
19	AS044 - Pivot Pin, one piece nozzle	1			
20	HJ050 - Hydraulic Hose - brush motor A to QR	1			
21	HF010 - Hydraulic Bonded Seal - 3/8 BSP (16mm)	1			
22	HF053 - Hydraulic Quick Release Coupling - Ma	1			

Brush Assembly

Model: **414RS**
 From CIN: **1** To CIN: **999**
 Drawing: **AS035-9a** Revision:

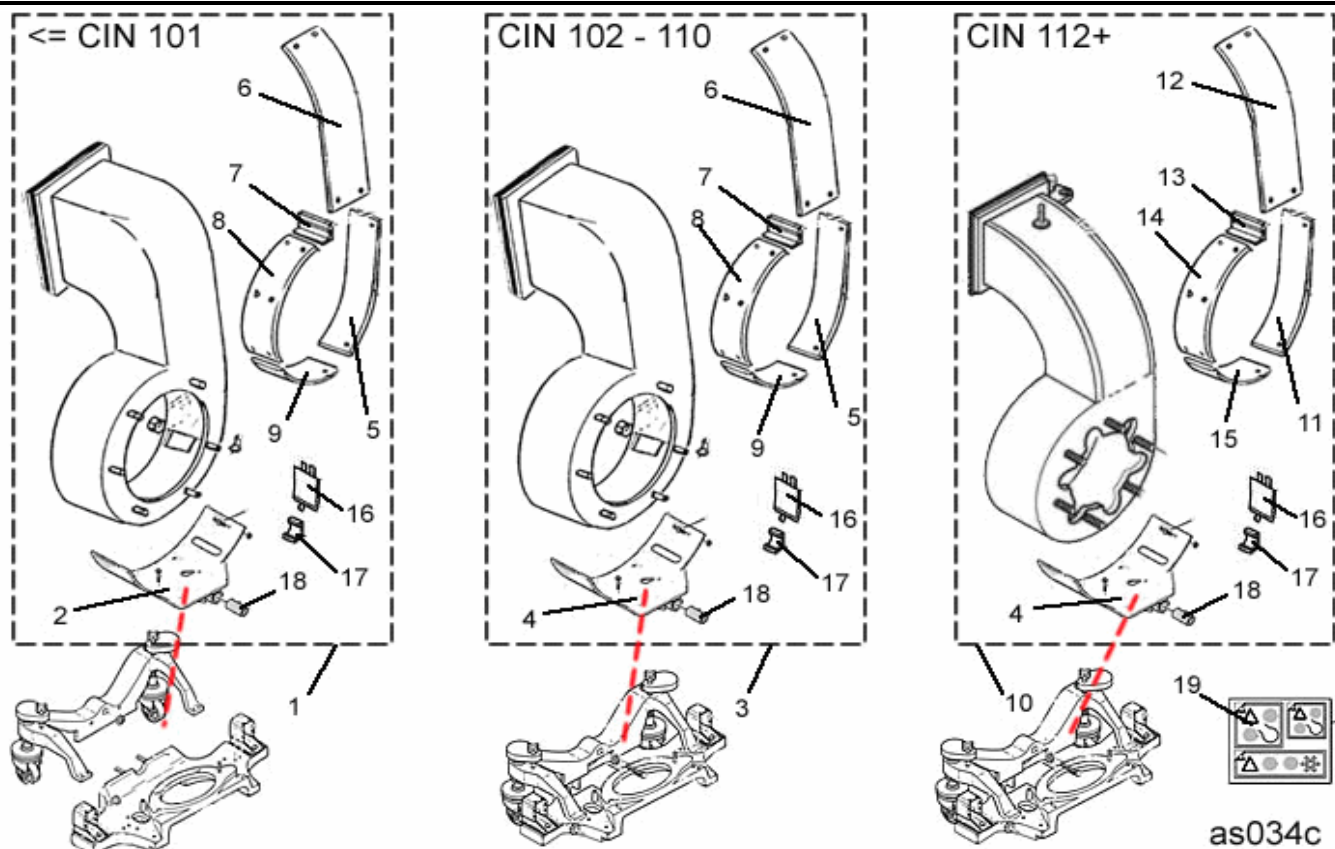
AS035-9a



1	HM005 - Hydraulic Motor - Brush Drive	2	21	GT240 - M6 x 35 Hex Screw with Adhesive	2
1a	HF056 - Key for Eaton Brush Motor	1	22	NN050 - Front Head Support Casting	2
1a	HF058 - Seal Kit for Eaton Brush motor	1			
2	NF032 - Bumper for brush arm	2			
3	GB033 - Bush Kit	1			
4	NF090 - Link Arm - Upper (for side brush)	1			
5	NF091 - Link Arm - Lower (for side brush)	1			
7	NF062 - Hook for brushes up	2			
7a	NF087 - Lock-up hook - left hand	1			
7b	NF088 - Lock-up hook - right hand	1			
10	NF056 - Pin for brush arm	4			
11	NN051 - Cap, Brush Arm Pins	4			
15	GW053 - Washer, plastic 34mm (brush motor gua	2			
16	NB035 - Drive Hub for quick release brush	2			
17	NB046 - Brush - Poly - 400 Series (Quick Rele	2			
17a	NB048 - Brush - P.E.T. - 400 Series (Quick Re	2			
17b	NB062 - Brush - Poly/wire mix - 400 Series	2			
18	NB036 - Lock Cam for quick release brush	2			
19	GW062 - Washer 25 o/d x 6.5 i/d x 3mm	2			

Fan Casing (to CIN 111)

Model: **414RS**
 From CIN: **1** To CIN: **112**
 Drawing: **AS034c-8** Revision:



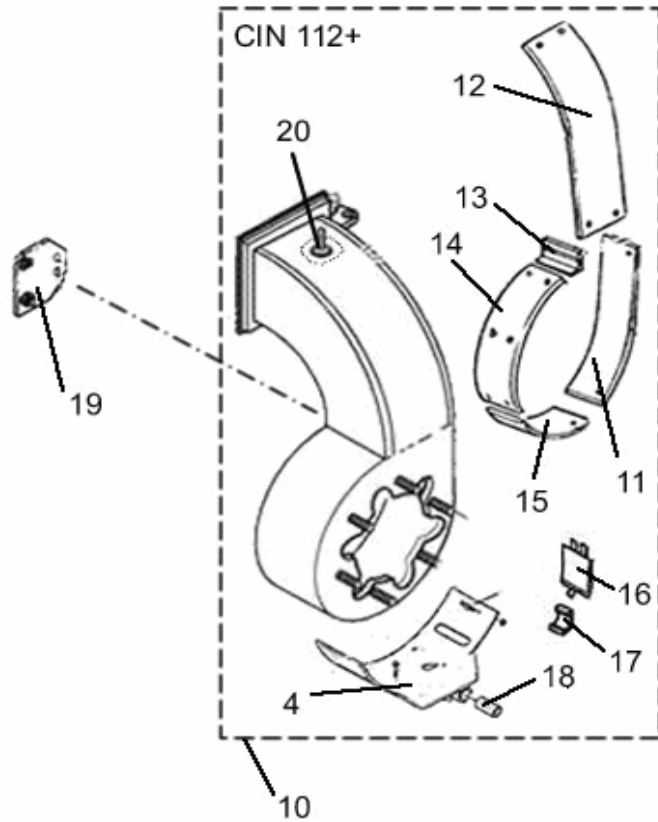
Several major revisions to the Green Machine front nozzle assembly and fan casing have been introduced which together impact replacement parts ordering. The introduction of a one-piece casting for the front suction nozzle (from CIN 102) together with the introduction of a robotically-welded fan casing (from CIN 110 for United Kingdom destination machines through CIN112 for export models) means care should be taken when ordering replacement parts.

Please also take care when ordering wearplates if your machine has had a replacement fan casing fitted. Later style replacement fan casings with welded rather than lock-formed seams can accommodate wider wearplates and so items 11 through 15 should be used.

1	CC211 - Fan Casing (for use with two piece no	1	14	CC127 - Wearplate - Right side	1
2	CC141 - Fishplate (for use with two piece noz	1	15	CC123 - Wearplate - bottom	1
3	CC209 - Fan Casing (for use with one piece no	1	16	CC061 - Sludge door (one clip)	1
4	CC137 - Fishplate (for use with one piece noz	1	17	GG097 - Catch Plate	1
5	CC048 - Wearplate - Left Side (to CIN 111)	1	18	GB026 - Bush, fishplate	2
6	CC024 - Wearplate - Trunking Exit (to CIN 111)	1			
7	CC011 - Wearplate - L shaped	1			
8	CC049 - Wearplate - Right Side (to CIN 111)	1			
9	CC019 - Wearplate - Bottom (to CIN 111)	1			
10	CC209 - Fan Casing (for use with one piece no	1			
11	CC125 - Wearplate - Left side	1			
12	CC134 - Wearplate - casing trunking exit	1			
13	CC011 - Wearplate - L shaped	1			

Fan Casing (from CIN 112)

Model: **414RS**
From CIN: **110** To CIN: **999**
Drawing: **AS071** Revision:



AS071

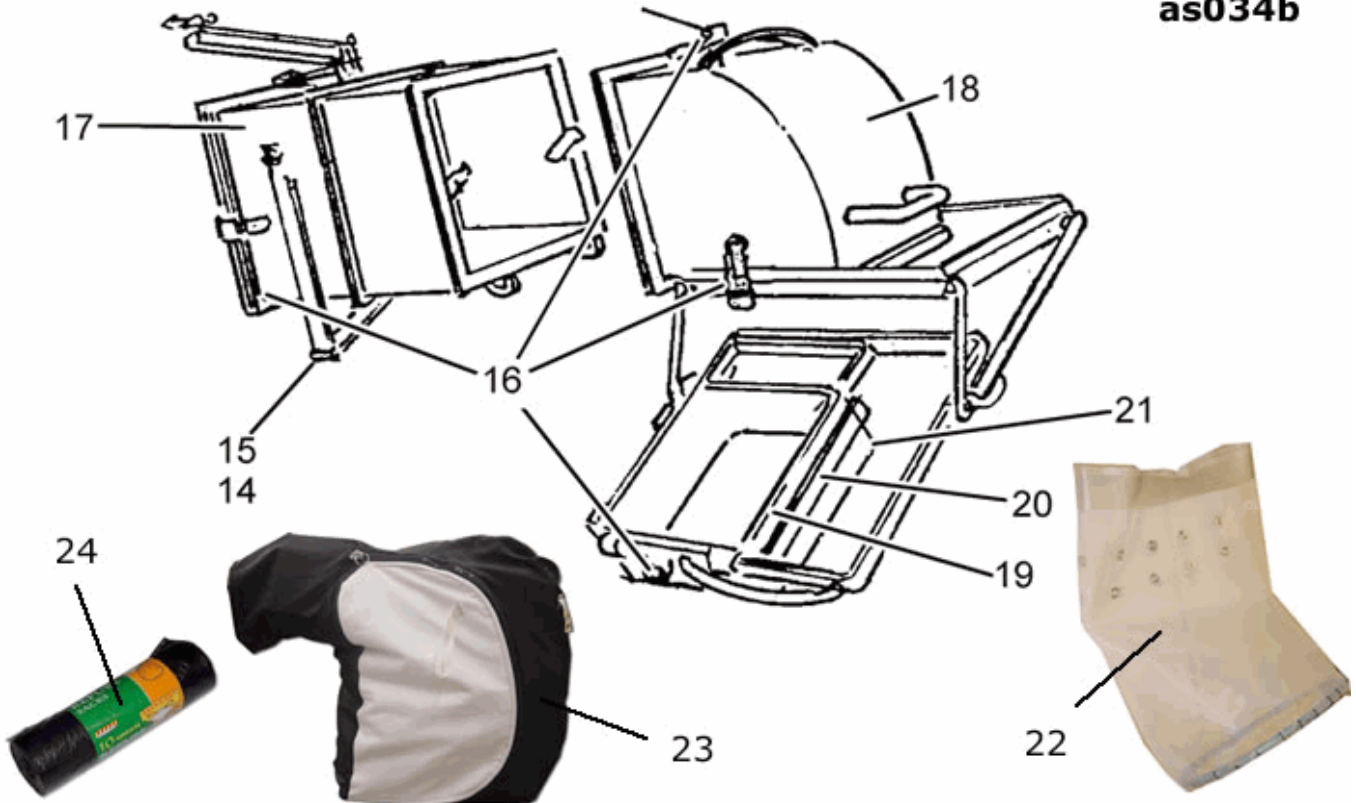
Applies to machines from CIN112 or machines from CIN102 that have had a replacement fan casing. For previous machines please refer to drawing AS034c.

10	CC209 - Fan Casing (for use with one piece no	1
11	CC125 - Wearplate - Left side	1
12	CC134 - Wearplate - casing trunking exit	1
13	CC011 - Wearplate - L shaped	1
14	CC127 - Wearplate - Right side	1
15	CC123 - Wearplate - bottom	1
16	CC061 - Sludge door (one clip)	1
17	GG097 - Catch Plate	1
18	GB026 - Bush, fishplate	2
19	AW088 - Boom mounting bracket	1

Filter Bag & Trunking (non swing-out bag system)

Model: 414RS
 From CIN: 1 To CIN: 85
 Drawing: AS034b-8 Revision:

as034b



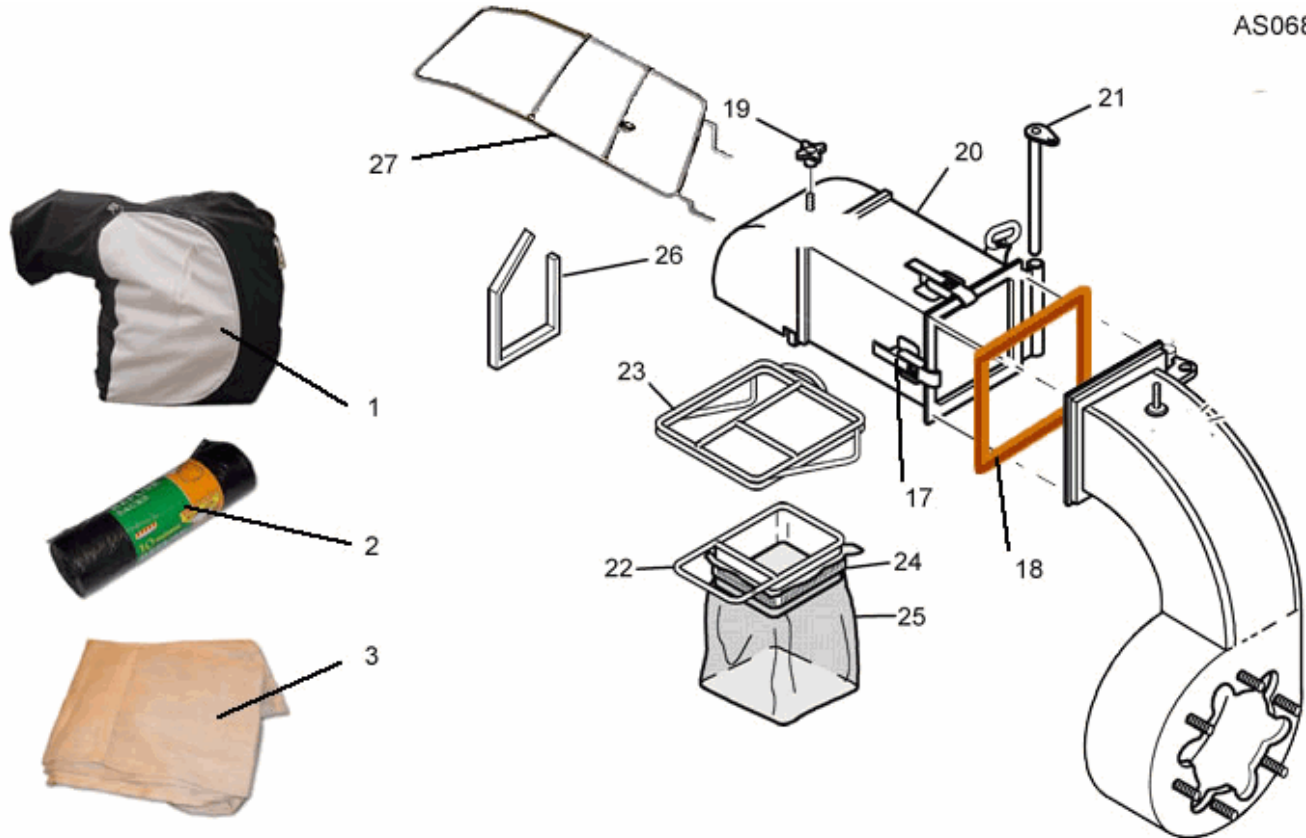
This drawing applies to older model 414 Green Machines from 1996 that were not fitted with a swing-out filter bag system. For more modern 400 series machines that were fitted with the swing-out filter bag system, please refer to drawing AS068. Prior to 1996, machines were fitted with a "top entry" bag system, where the bag zipper ran along the top of the filter bag, rather than later "side-entry" bags. Replacement filter bags for these older machines are still available as VB016 by calling your local Applied Sweepers dealer.

14	VT027 - Bag Strap Assembly	1
15	VT016 - Foam	1
16	GG008 - Toggle Clip, Large	3
17	VT030 - Back Trunking	1
18	VT031 - Sliding Frame	1
19	VT032 - Flange for Nylon Sock	1
20	VT035 - Hose Clamp (12.5 inches)	1
22	VB015 - Inner mesh	1
23	VB062 - Filter Bag	1
24	VB017 - Plastic Sacks, roll (20)	1

Filter Bag & Trunking (swing-out bag system)

Model: **414RS**
 From CIN: **86** To CIN: **999**
 Drawing: **AS068** Revision:

AS068



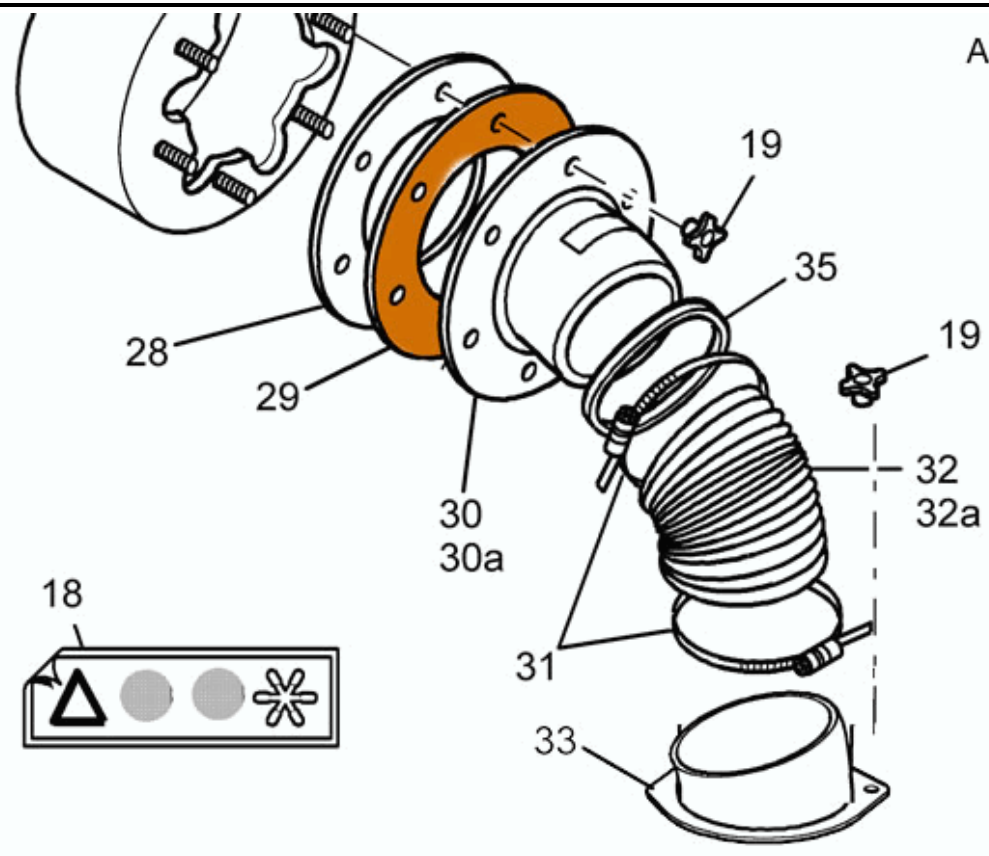
Applies to more modern 400 series Green Machines that use a swing-out system for the filter bag. For older machines, please refer to drawing AS034b.

1	VB062 - Filter Bag	1
2	VB017 - Plastic Sacks, roll (20)	1
3	VB007 - Leaf Bag	0
17	GG156 - Adjustable Latch	3
18	VT014 - Back Trunking Gasket	1
19	GG021 - Panel Knob - black M8	1
20	VT046 - Back Trunking	1
21	CB420 - Hinge Pin - Swing out bag	1
22	VT032 - Flange for Nylon Sock	1
23	VT047 - Sliding Frame (Roto-Tank)	1
24	VT035 - Hose Clamp (12.5 inches)	1
25	VB015 - Inner mesh	1
26	VT027 - Bag Strap Assembly	1
27	VB028 - Spring assy, filter bag	1

Front Hose Assembly

Model: **414RS**
 From CIN: **1** To CIN: **999**
 Drawing: **AS069** Revision:

AS069

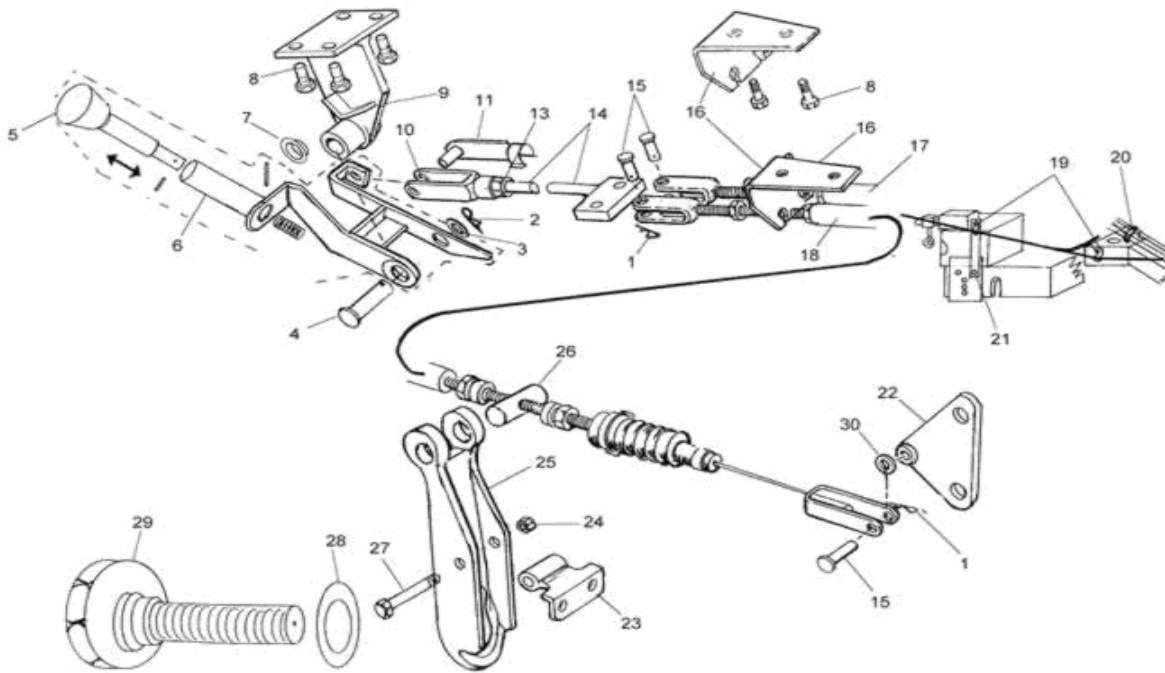


19	GG021 - Panel Knob - black M8	7
28	VT023 - Casing Ring	1
29	VT024 - Circle Gasket	1
30	AW122 - Access cover	1
30a	VT107 - Access Cover (non- whoosh)	1
31	GG015 - Hose Clamp (8.5 inch)	2
32	AW085_B - Front Hose	1
32a	VT013 - Front Hose (non whoosh)	1
32b	VT165 - Front Hose - model 424HS	1
33	VT042 - Oval Casting (one stud fixing)	1
35	GM013 - Rubber band - 8 in. diameter	2

Remote Brush Lift Option

Model: **414RS**
 From CIN: **1** To CIN: **999**
 Drawing: **AS045-9** Revision:

AS045-9

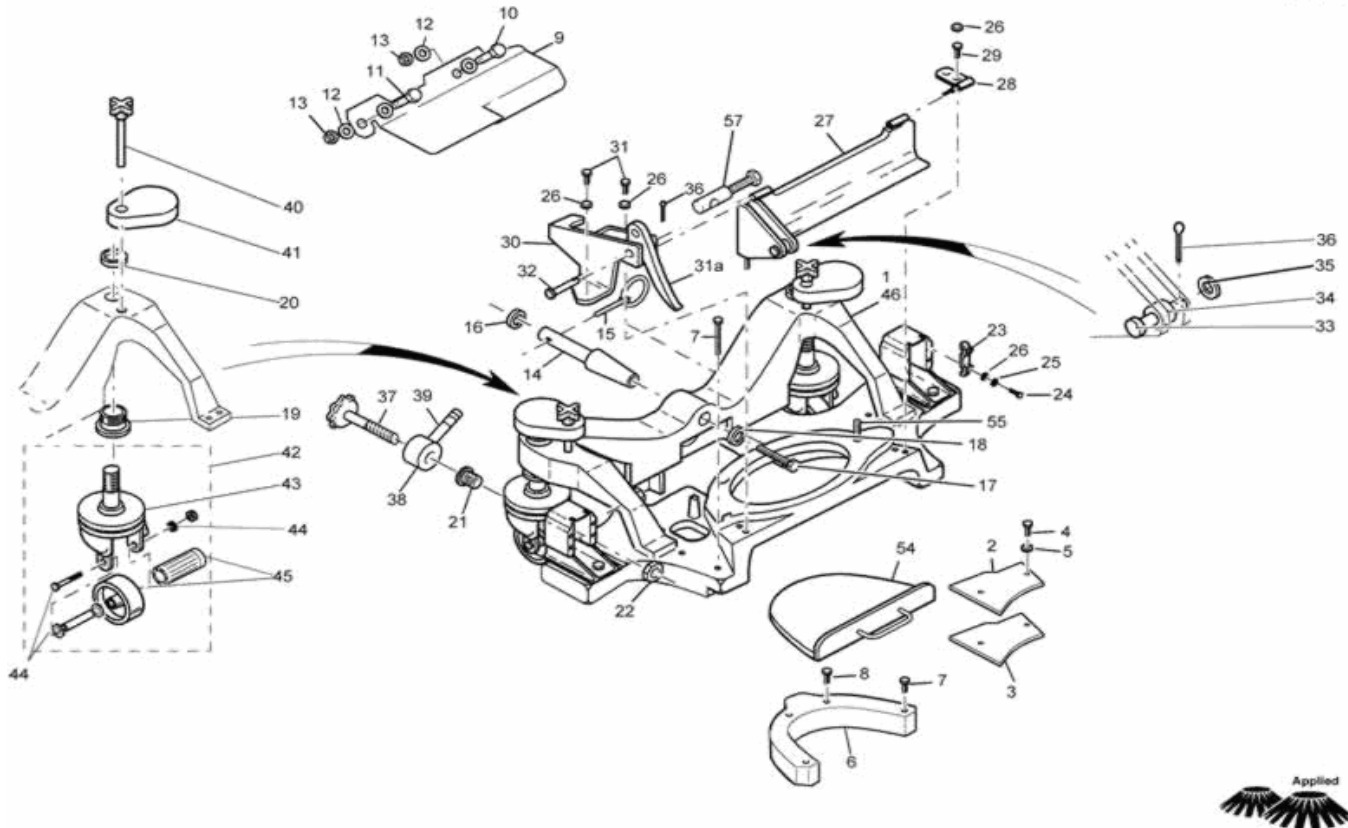


1	BB044 - R Pin	4	21	CB251 - Plate, cable support - hydraulic bloc	1
2	GG105 - Cotter Pin (1/8 in x 1 in)	1	22	CB324 - Bracket, bottom anchor - brush lift	2
3	GW013 - M10 Flat Washer	1	23	CB314 - Bracket - Pivot - brush lift	2
4	CB250 - Pivot Pin	1	24	GN004 - M8 Locknut - Nylon	2
5	GM136 - Knob, with transparent cap	1	25	NF075 - Lifting Lever	2
6	CB231 - Handle Assembly for brush lift	1	26	NF077 - Anchor Pivot Pin	2
7	GB028 - Bush flanged 12 o/d 10 i/d 12 lg.	2	27	GT244 - M8 x 60 Hex Bolt	2
8	GT203 - M6 x 12 Hex Flanged Sheet Metal Screw	6	28	GW043 - Washer - plastic (for brush lift)	2
9	CB482 - Bracket, mounting	1	29	NF045 - Adjuster screw for brush height	2
10	BB006 - Clevis yoke	1	30	GB027 - Bush, door hinge bar	4
11	BB022 - Clevis Pin	1			
13	GN027 - M8 Hex Jam Nut (Half-height)	1			
14	CB307 - Link Arm	1			
15	BB085 - Clevis Pin (6mm x 20mm)	4			
16	CB310 - Anchor Plate - top - for brush lift	1			
17	BB081 - Cable - left side (long) for remote I	1			
18	BB080 - Cable - right side (short) for remote	1			
19	BB063 - P Clip - black - 16 mm diameter.	4			
20	BB084 - Clamp - rubber lined - 30 mm diameter	2			

Suction Nozzle Assembly (from CIN 100)

Model: **414RS**
 From CIN: **100** To CIN: **999**
 Drawing: **AS012-10** Revision:

AS012-10



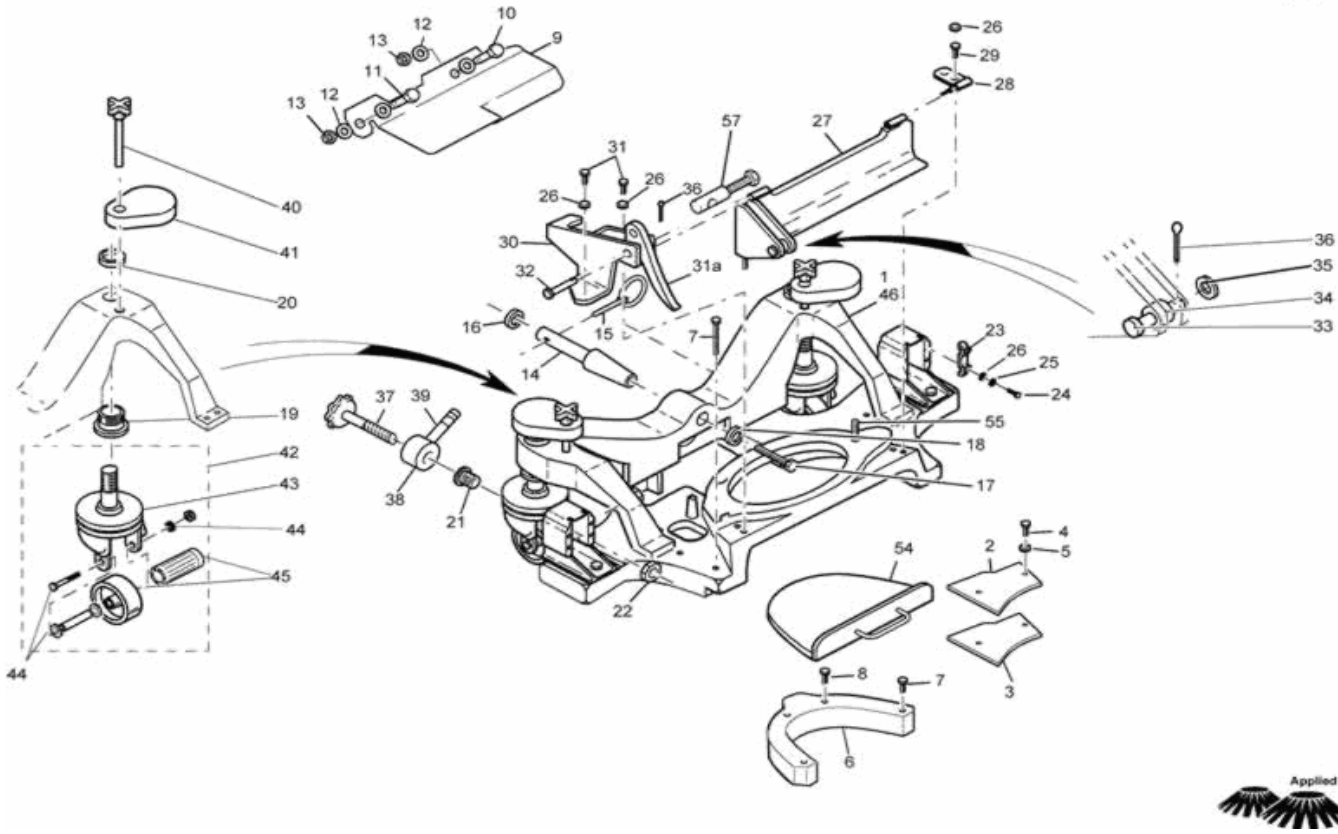
This drawing is for machines from CIN 100 that were fitted with a one piece front head assembly. For older machines that used a two piece casting, then please refer to drawing AS047.

1	NN090 - Suction Nozzle Assembly (One Piece)	1	27	NN058 - Flap -Front (From CIN 81)	1
2	NN095 - Counterbalance Weight, Top	2	28	NN064 - Hinge - Left Side - for front flap (1
3	NN099 - Counterbalance Weight, Bottom	2	30	NN059 - Hinge - Right Side - for front flap (1
6	NN057 - Horseshoe wear-plate (from CIN 81)	1	31a	NN104 - Lever for Flap (All 424 plus 414 from	1
8	GT115 - M8 x 30 sockethead screws	1	32	GG130 - Clevis Pin (6 x 23 mm)	1
9	NF093 - Blanking plate	1	33	GG135 - Clevis Pin (6 x 30 mm)	1
10	GT092 - M8 x 40 Hex Screw	1	34	GB029 - Bush, oilite	1
11	GT042 - M8 x 30 Hex Screw	1	37	NF045 - Adjuster screw for brush height	2
13	GN004 - M8 Locknut - Nylon	2	38	NF041 - Locking device for brush height adjus	2
14	NC034 - Pivot Pin for suction nozzle	1	39	GG043 - Plastic Cap	2
15	BB060 - Lynch Pin	1	40	NC003 - Locking Pin for front castor	2
17	GT163 - M12 x 30 Hex Screw st.st.	1	41	NN041 - Top Cap	2
18	MA061 - Washer, form a 36 o/d 12.7 i/d	1	42	NC002 - Castor Assembly	2
19	NC030 - Bushing for castor wheel	2	43	NC022 - Seal for front castor wheel	2
20	GN028 - Nut - for Castor Bushing	2	44	NC020 - Axle Set for front castor	2
21	NN028 - Stud for brush height adjuster	2	45	NC014 - Wheel for front castor	2
22	NN029 - Nut for brush height adjuster stud	2	54	AW134 - Horseshoe Blanking Plate (from CIN 10	2
23	NN051 - Cap, Brush Arm Pins	4	56	GG179 - Adjuster	1

Suction Nozzle Assembly (from CIN 100)

Model: 414RS
From CIN: 100 To CIN: 999
Drawing: AS012-10 Revision:

AS012-10

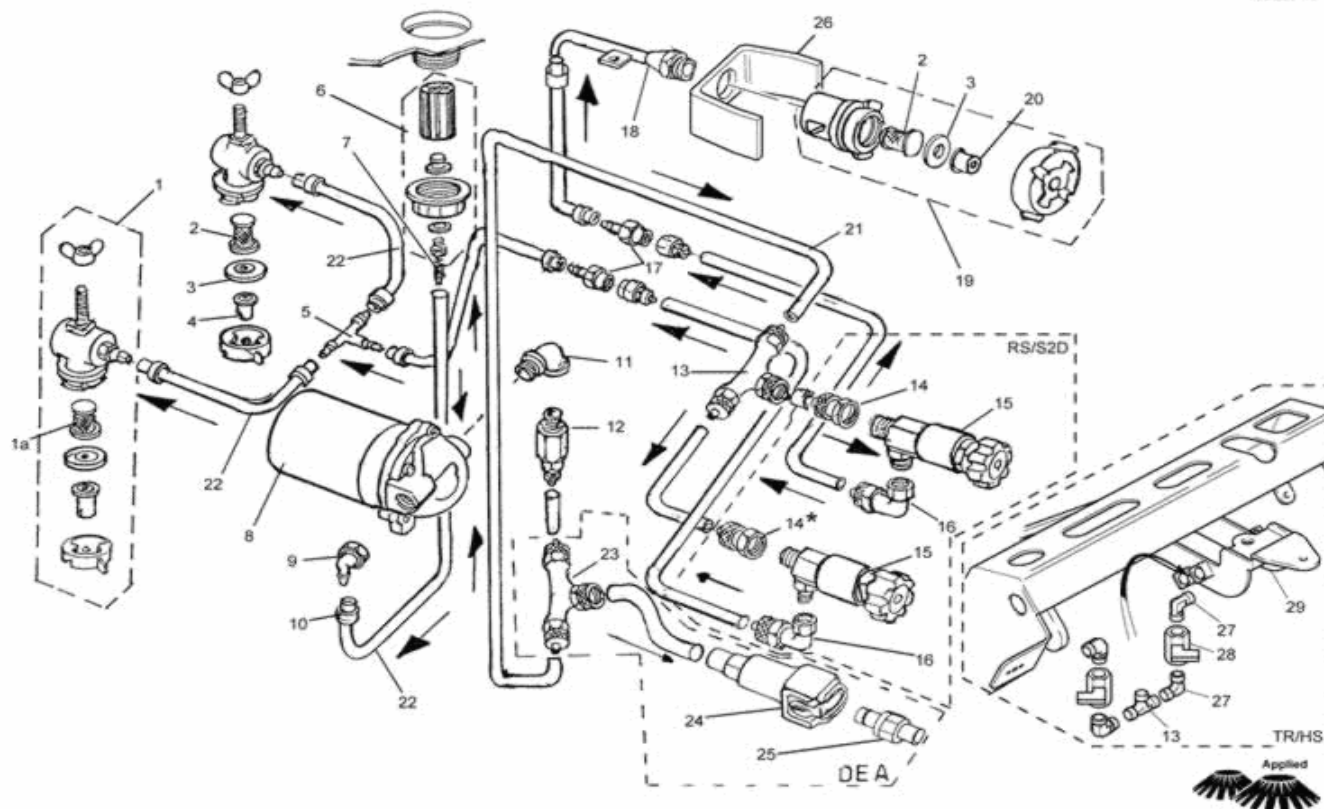


57 NN107 - Cable clamp assembly 1

Water System

Model: **414RS**
 From CIN: **1** To CIN: **999**
 Drawing: **AS020-10** Revision:

AS020-10



1	WP108 - Spray Jet Assembly for brush sprays	2	18	WP137 - Spray Tube Assembly (from CIN 92)	1
1a	WP020 - Filter with anti-drip valve	1	19	WP109 - - Spray Jet Assembly for bag spray	1
2	WP115 - Filter Spray Nozzle	3	20	WP121 - - Spray Jet - Bag -Blue Cone	1
3	WP118 - - Sealing Disc	3	21	WA040 - Tubing - Nylon - 6mm outside diameter	0
4	WP060 - Spray Jet - Green	2	22	WA004 - Black Water Hose	1
5	WP005 - Tee Piece 3.16, 3.16, 3.16	1	23	WP095 - Tee - 6/4mm Tube	1
6	WA036 - Drain Cap Assembly	1	24	WP134 - Coupling - Quick Release - Female	1
7	WA012 - Water Tap - Quick Release Hose	1	25	WP135 - Coupling - Quick Release - Male	1
8	WP044 - - Water Pump	1	26	CB399 - Guard for spray nozzle	1
9	WP110 - Elbow -Hose Tail - 3/8	1	27	WP101 - Elbows	4
10	PG008 - O Clip - 1/2 in.	0	28	WP131 - Valve, on/off	2
11	WP112 - Elbow - 3/8 male - 3/8 female	1			
12	WP128 - Coupling 3/8	1			
13	WP095 - Tee - 6/4mm Tube	1			
14	WP094 - Female Stud Coupling 1/4	5			
15	WP106 - Needle Valve for water system	2			
16	WP100 - Elbow 1/8	1			
17	WP025 - Hose Tail - 1/4 male to 7mm	2			
17a	WP094 - Female Stud Coupling 1/4	1			