

MANUAL UPDATE INSERT

Please keep this insert with your manual for future reference.

The following parts list are not listed in your Parts List Manual. Use this Manual Update Insert when ordering replacement parts. The replacement parts that are listed in your Parts Manual pertain to a different production build. These parts are not interchangeable.

This insert replaces Standard Parts Fig. #15 & 16, as well as Options Fig. #12, 13, 14 & 15 in your current EZ Rider parts manual #330780, Rev. 02

Fig. 15 - Disk Scrub Head Drive Motor Group

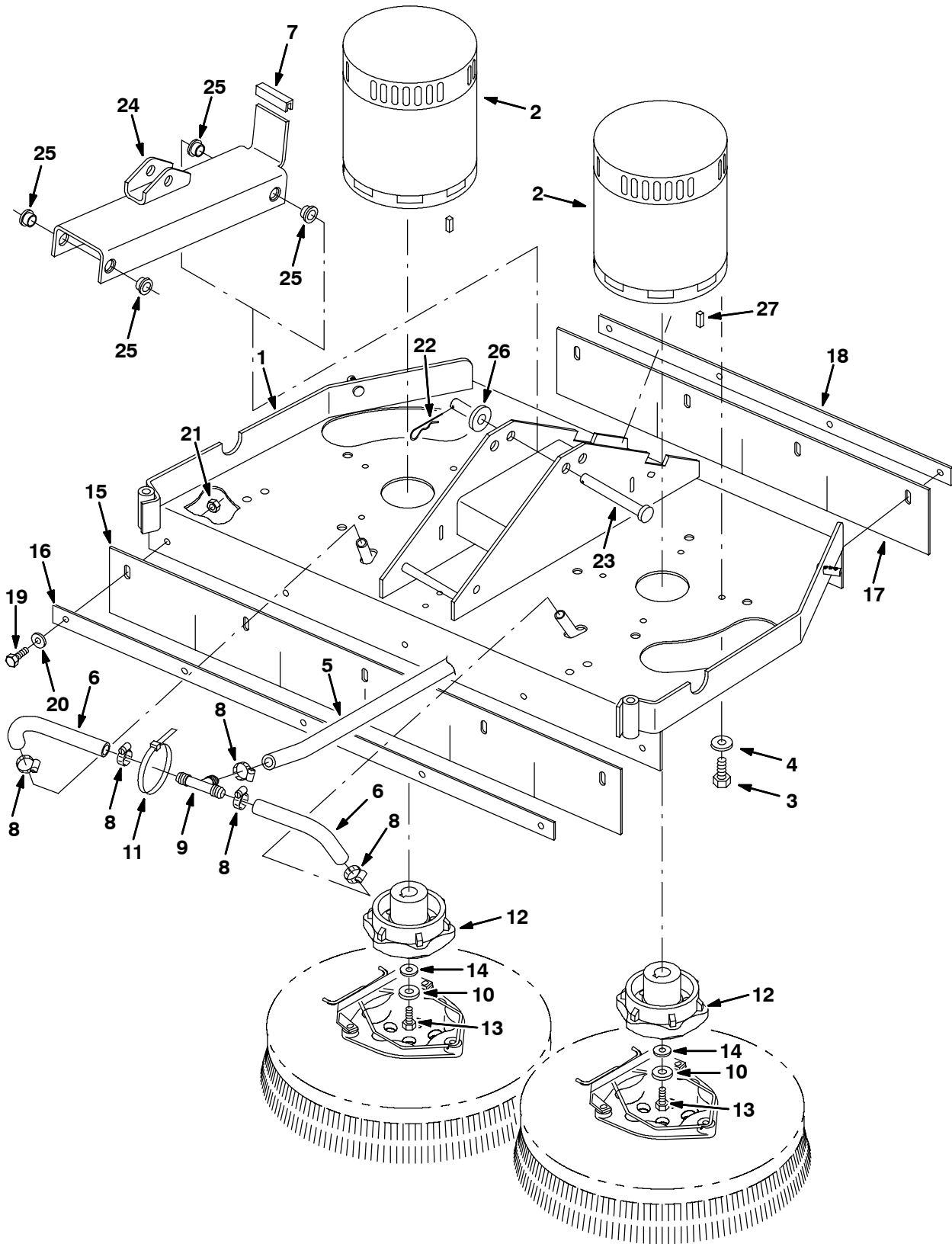


Fig. 15 - Disk Scrub Head Drive Motor Group

Ref.	Tennant Part No.	Description	Qty.
1	391370	Head Wldt, Scb, Disk - for 700 mm (28 in.) models	1
	390730	Head Wldt, Scb, Disk - for 800 mm (32 in.) model	1
2	390849	Motor, Ele, 36vdc, 0.50hp, 0320rpm - for 700 mm (28 in.) model	2
	223358	Motor, Ele, 36vdc, 0.80hp, 0320rpm - for 700 mm (28 in.) heavy duty model	2
	223358	Motor, Ele, 36vdc, 0.80hp, 0320rpm - for 800 mm (32 in.) model	2
3	24672	Screw, Hex, .25-20 X 0.75, Ss - for 390849 motor	8
	02994	Screw, Hex, .38-16 X 0.75, Ss - for 222358 motor	8
4	01684	Washer, Flt, .25 Ss - for 390849 motor	8
	01686	Washer, Flt, .38 Ss - for 222358 motor	8
5	390933	Hose, Vyl, Brd, 0.50id 0.69od 30.0l	1
6	1011403	Hose, Afrmkt, Pvc, Brd 0.50id 1 Ft	2
7	223645	Molding, Trim, Rbr, .13 03.0	1
8	54333	Clamp, Hose, Wormdrive, 0.31-0.88d	5
9	63245-1	Fitting, Plstc, Tee, Bm08/Bm08/Bm08	1
10	01686	Washer, Flt, .38 Ss	2
11	44961	Tie, Cable, Nyl, 14.5l .30w 4.0 Max D	1
12	377374	Hub, Drive, Brush	2
13	02991	Screw, Hex, .31-18 X 0.75, Ss	2
14	41186	Washer, Belleville, .31	2
15	390633	Skirt, Front, Scb, Disk, - for 700 mm (28 in.) models	1
	390650	Skirt, Front, Scb, Disk, - for 800 mm (32 in.) model	1
16	390635	Strip, Retainer, Skirt, Front, - for 700 mm (28 in.) models	1
	390652	Strip, Retainer, Skirt, Front, - for 800 mm (32 in.) model	1
17	390634	Skirt, Rear, Scb, Disk, - for 700 mm (28 in.) models	1
	390651	Skirt, Rear, Scb, Disk, - for 800 mm (32 in.) model	1
18	390636	Strip, Retainer, Skirt, Rear, - for 700 mm (28 in.) models	1
	390653	Strip, Retainer, Skirt, Rear, - for 800 mm (32 in.) model	1
19	08716	Screw, Hex, M06 X 1.0 X 20, Ss	9
20	01684	Washer, Flt, .25 Ss	9
21	08712	Nut, Hex, Lock, M06 X 1.0, Ni, Ss	9
22	44906	Pin, Hair Cotter, 0.69 D .092 Wir	1
23	222196	Pin, Clevis, 0.50 D X 4.00l	1
24	390741	Channel Wldt, Lift Tool	1
25	15648	Bushing, Flng, 0.50b 0.59d 0.38l	4
26	32486	Washer, Flt, .50 Sae	1
27	00926	Key, Sq, 0.25 X 0.25 , 00.75L - for 390849 motor	2

Fig. 16 - Disk Scrub Head Squeegee Group

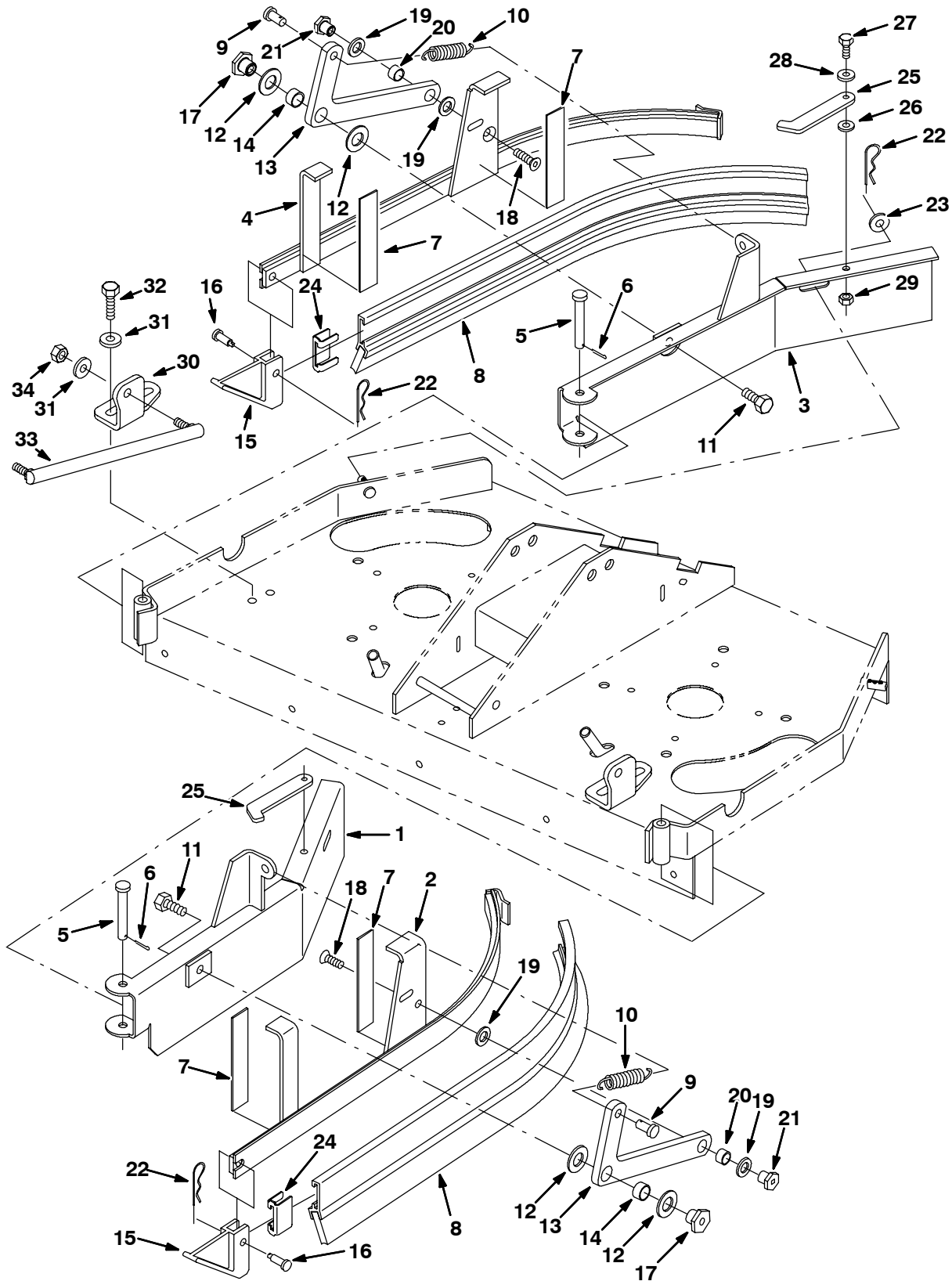


Fig. 16 - Disk Scrub Head Squeegee Group

Ref.	Tennant Part No.	Description	Qty.
1	390702	Door Wldt, Mtg, Lh, 28 Inch Disk	1
2	390707	Bladeholder Wldt, Sqge, Disk, Lh	1
3	390710	Door Wldt, Mtg, Rh, 28 Inch Disk	1
4	390720	Bladeholder Wldt, Sqge, Disk, Rh	1
5	391179	Pin, Clevis, 0.37 D X 2.62l	2
6	08182	Pin, Cotter, .125 X 1.00	2
7	390988	Tape, [Protective], .0080th, 1.0w, 5.0l	4
8	86859	Blade Assy, Sqge, Side	2
9	39019	Pin, Clevis, 0.37 D X 0.75l	2
10	15047	Spring, Extn, 0.62od X 0.08wir, 3.0l	2
11	09291	Screw, Hex, M10 X 1.5 X 20, Ss	2
12	64425	Washer, Thrust, 0.61b 1.25d .06, Fgl	4
13	25709	Bellcrank, Lift, Sqge	2
14	71607	Bushing, Sleeve, 0.63b 0.72d 0.38l	2
15	86865	Guide, Side Sqge	2
16	69582	Pin, Clevis, 0.31 D X 1.00l	2
17	391345	Nut, T, M 10 X1.5 0.623od .516lg	2
18	79246	Screw, Flat, M08-1.25x 20, Ss	2
19	86860	Bearing, Thrust	4
20	64173	Bushing, Sleeve, 0.50b 0.59d 0.38l, Stl	2
21	391346	Nut, T, M8x1.25 X0.498od, 0.516lg	2
22	44906	Pin, Hair Cotter, 0.69 D .092 Wir	4
23	01686	Washer, Flt, .31 Ss	2
24	86759	Retainer, Sqge	2
25	390997	Lever, Lock, Side Sqge	2
26	16236	Washer, 0.26b 0.72d .06, Nyl	2
27	08716	Screw, Hex, M06 X 1.0 X 20, Ss	2
28	01684	Washer, Flat, .25 Ss	2
29	08712	Nut, Hex, Lock, M06 X 1.0, NI, Ss	2
30	1006123	Bracket, Link, Head, Disk	2
31	01686	Washer, Flat, .38 SS	6
32	10959	Screw, Hex, M10 X 1.5 X 20, SS, NL	4
33	392882	Link, Balljoint, M10 X 1.5, 11.0L	2
34	08714	Nut, Hex, Lock, M10 X 1.5, NL, SS	2