

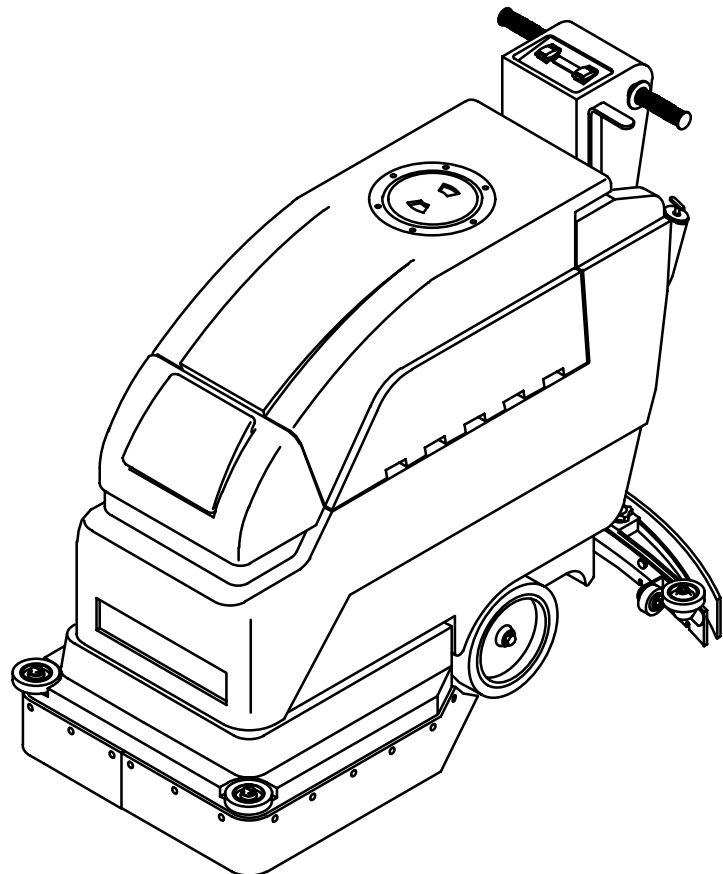


Speed Scrub™ 2001

Electric Automatic Scrubber
Fregadora Automática Eléctrico

Model No.:
612946
612947 – Pac

Operator and Parts Manual
Manual de Operación y de Piezas

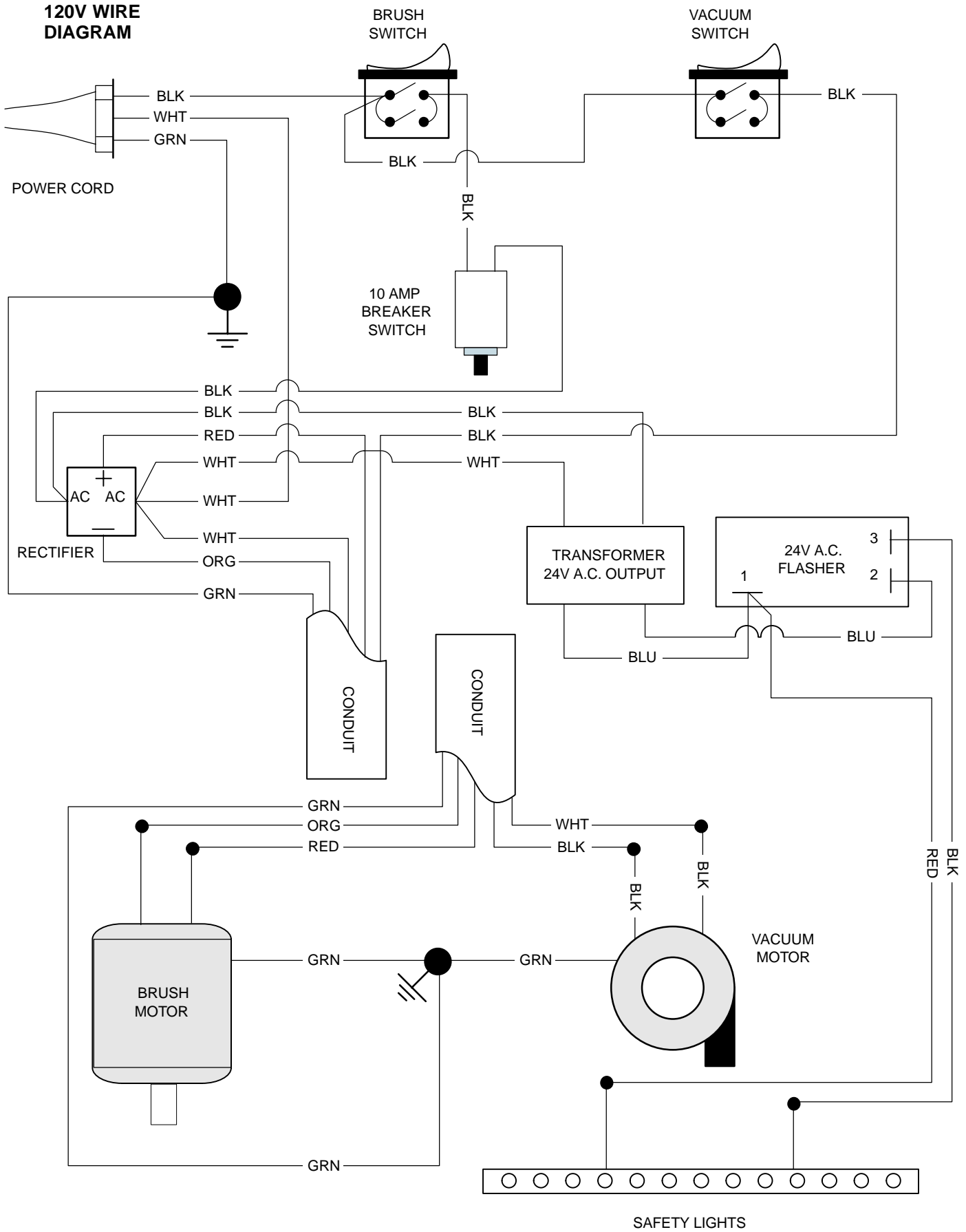


NOBLES
12875 RANSOM STREET
HOLLAND MI 49424 U.S.A.

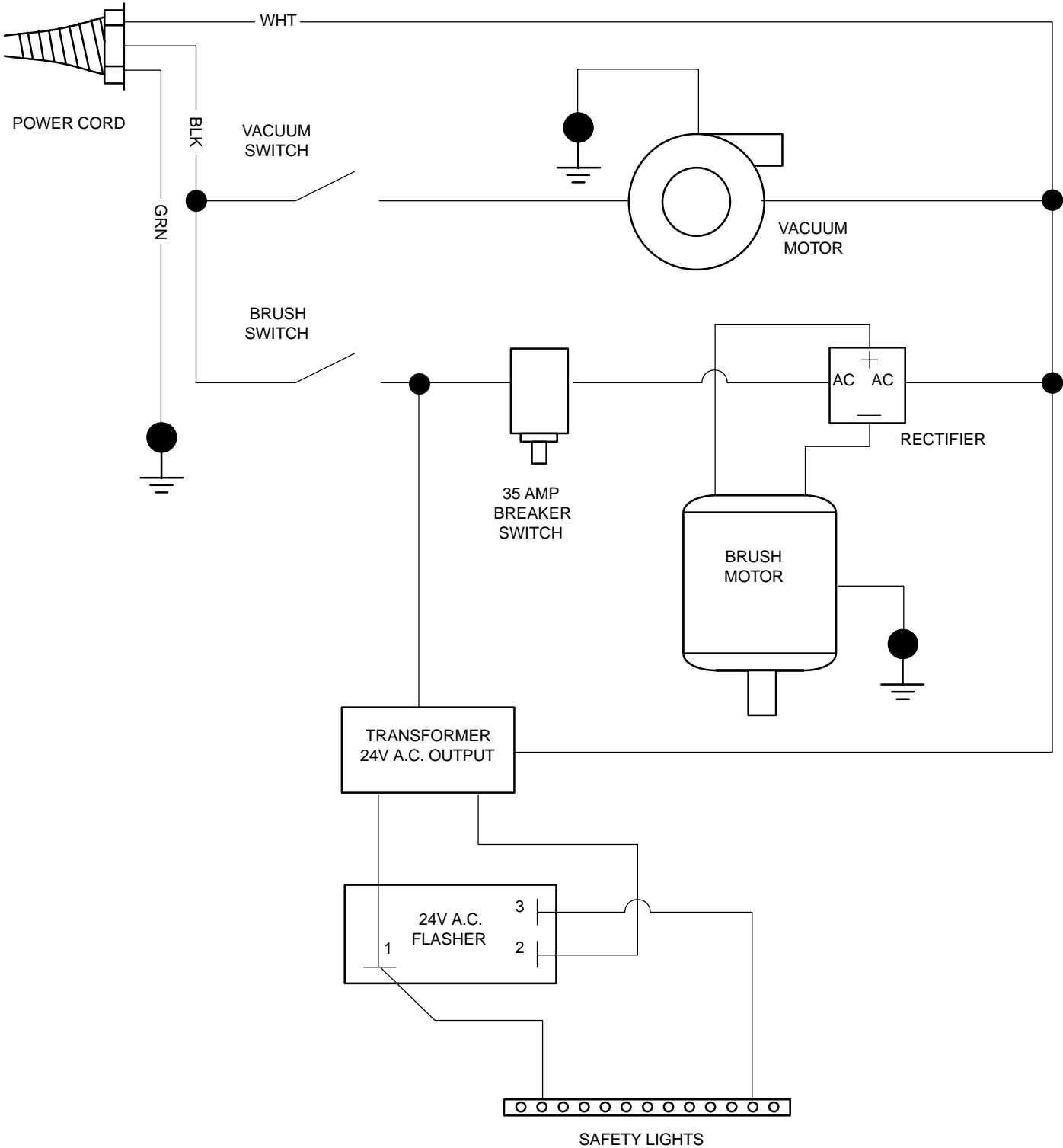
CUSTOMER SERVICE: 1-800-365-6625
FAX: 1-800-678-4240

612994
Rev. 00 (01-02)

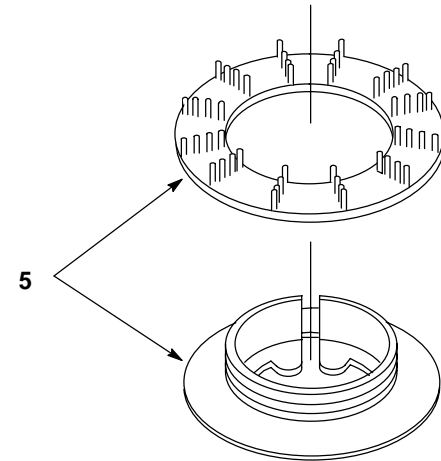
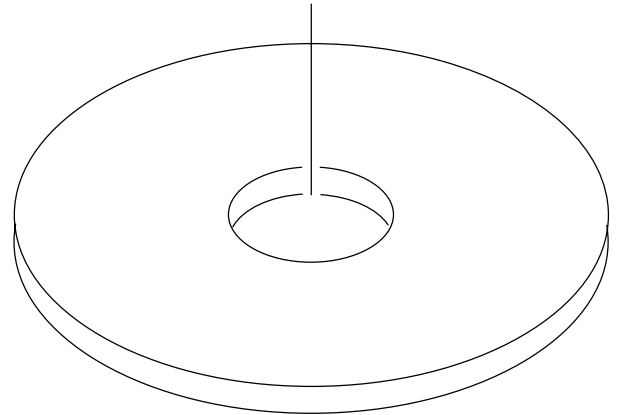
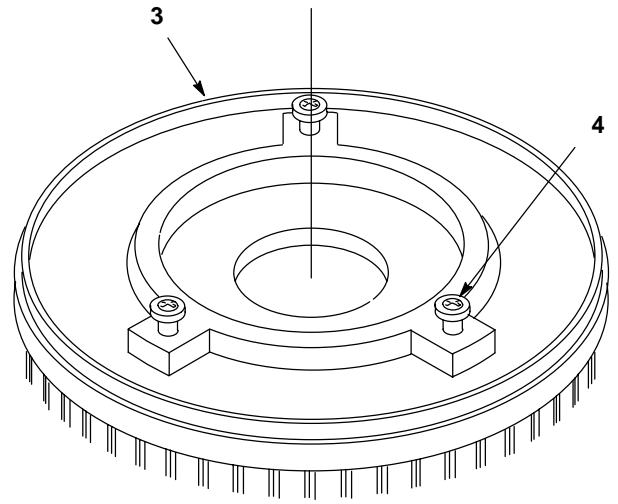
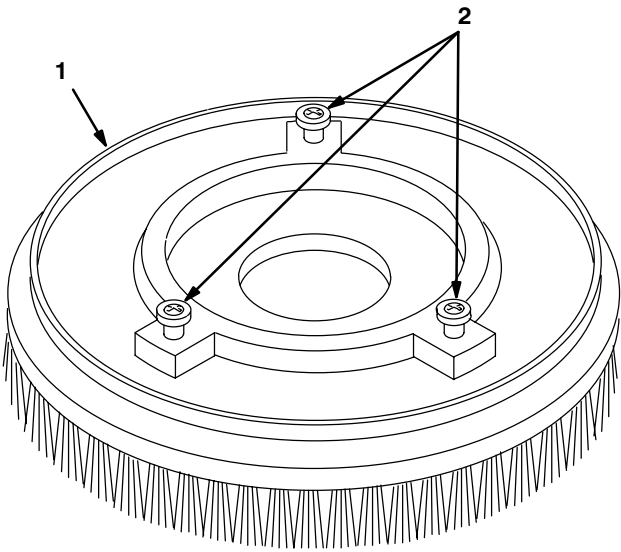
ELECTRICAL DIAGRAMS DIAGRAMAS ELECTRICAS



120V LADDER
DIAGRAM



REPLACEMENT BRUSHES AND PAD DRIVER GROUP
CEPILLO DEL REEMPLAZO Y GRUPO DEL MANDO DE LA ALMOHADILLA



REPLACEMENT BRUSHES AND PAD DRIVER GROUP
CEPILLO DEL REEMPLAZO Y GRUPO DEL MANDO DE LA ALMOHADILLA

REF	PART #	DESCRIPTION	QTY.
∇ 1	240250	●BRUSH, POLY-SCRUB	1
	240251	●BRUSH, DYNA-SCRUB	1
	240252	●BRUSH, NYLON SCRUB/STRIP	1
	240253	●BRUSH, STRATA SCRUB/STRIP	1
▲ 2	240238	●LUGS, W/ SCREWS (SET OF 3)	3

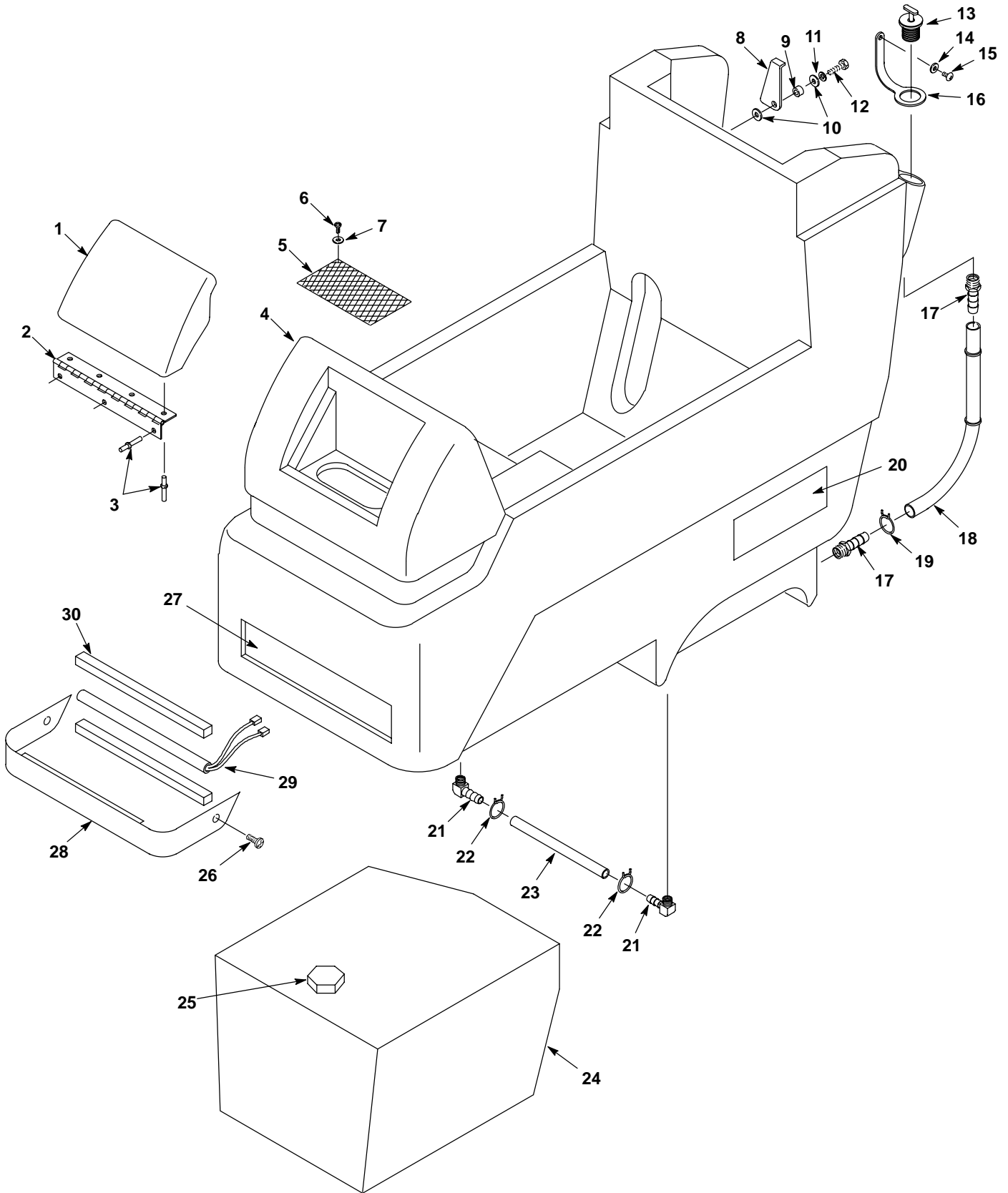
REF	PART #	DESCRIPTION	QTY.
∇ 3	240249	●PAD DRIVER ASM 20"	1
▲ 4	240254	●LUGS, W/SCREWS (SET OF 3)	3
▲ 5	25707	●LOCK, UNIVERSAL CENTER	1

∇ ASSEMBLY / CONJUNTO

▲ INCLUDED IN ASSEMBLY / INCLUIDO EN EL CONJUNTO

● RECOMMENDED STOCK ITEMS / ARTICULOS RECOMENDADOS

SOLUTION TANK GROUP
GRUPE DEL DEPÓSITO DE DISOLUCIÓN



SOLUTION TANK GROUP
GRUPE DEL DEPÓSITO DE DISOLUCIÓN

REF	PART #	DESCRIPTION	QTY.
∇	608518	ASM, COVER SOL. TANK GREEN	1
▲ 1	608284	COVER, SOLUTION TANK GREEN	1
▲ 2	611068	HINGE, COVER	1
▲ 3	140706	RIVET, POP 1/8	7
4	608627	TANK, SOLUTION GREEN	1
5	607099	●SCREEN, SOLUTION-FILL	1
6	140835	SCREW, 10-24X3/8	2
7	140032	WASHER, #6 FLAT	2
8	230925	SUPPORT, RECOVERY TANK	1
9	140116	BUSHING	1
10	140027	WASHER, 5/16 FLAT	2
11	140015	WASHER, 5/16 SPLITLOCK	1
12	140226	SCREW, 5/16-18X5/8	1
13	621324	●PLUG, EXPANSION 1-1/2"DIA	1
14	140011	WASHER, 3/16 FLAT	1
15	140350	SCREW, #10X1/21	1

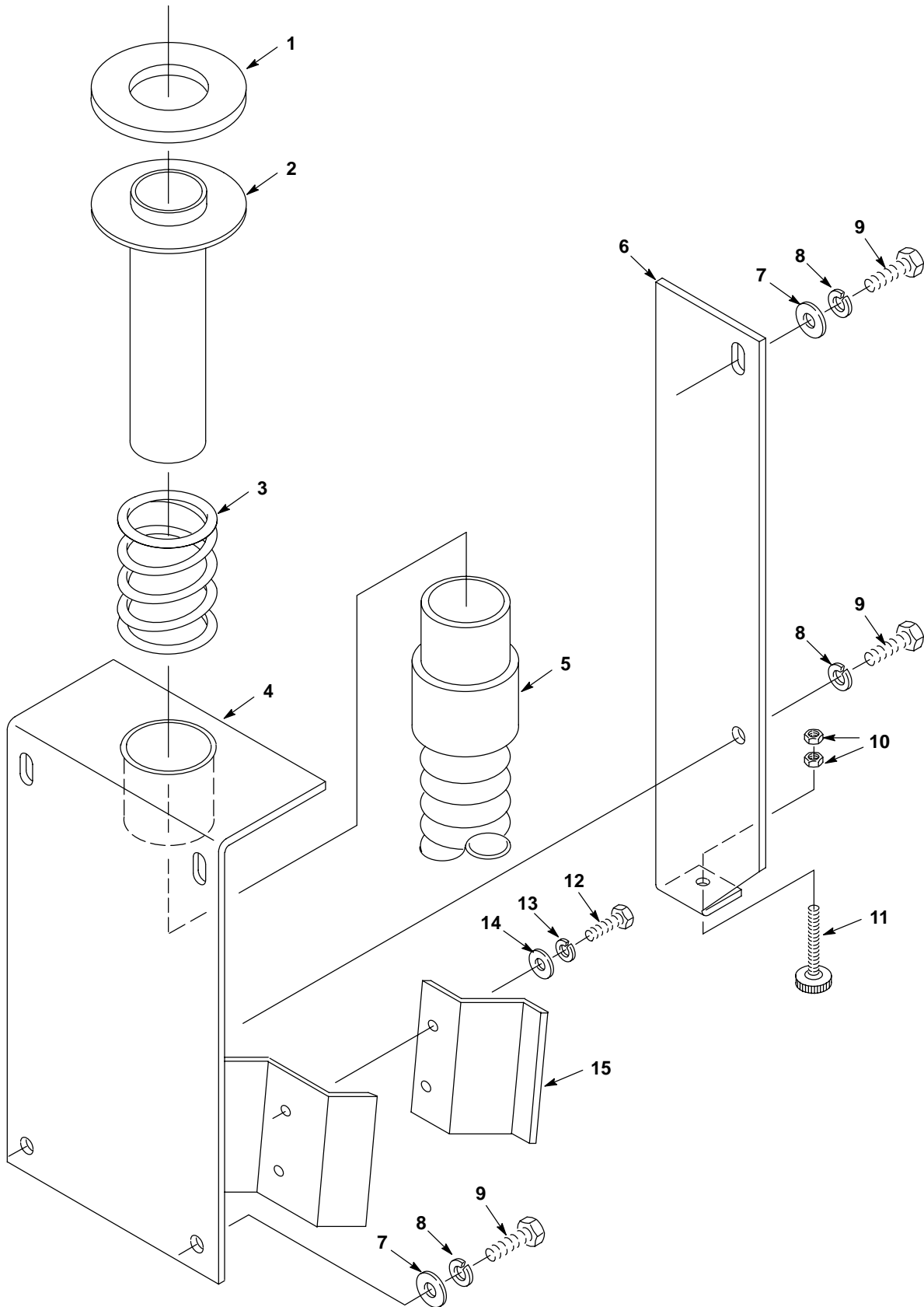
REF	PART #	DESCRIPTION	QTY.
16	600476	●STRAP, PLUG REAR FILL	1
17	14884	FITTING, 3/8MX1/2H BARB BRS	2
18	700420	ASM., HOSE W/SOL. INDICATOR	1
19	607776	CLAMP, HOSE 2WIRE BLK	1
20	608455	DECAL, SPEEDSCRUB 2001 SIDE	2
21	150419	FITTING, 1/4MX3/8H ELB 90	2
22	607775	CLAMP, HOSE 2WIRE BLK	2
23	606240	HOSE, 3/8IDX5/8ODX10.25	1
24	602713	TANK, BALLAST	1
25	230119	FITTING, 1-1/4M HEX PLUG	1
26	140835	SCREW, 10-24X3/8	2
27	608185	DECAL, NOBLES 6.75" LOGO	1
28	230311.BK	SHIELD, LIGHT	1
29	130023	LIGHT, SAFETY 24VDC 14"	1
30	605324	GASKET, 1/2" CLOSED CELL	2

∇ ASSEMBLY / CONJUNTO

▲ INCLUDED IN ASSEMBLY / INCLUIDO EN EL CONJUNTO

● RECOMMENDED STOCK ITEMS / ARTICULOS RECOMENDADOS

SOLUTION TANK REAR PANEL GROUP
CONJUNTO PANEL TRASERA



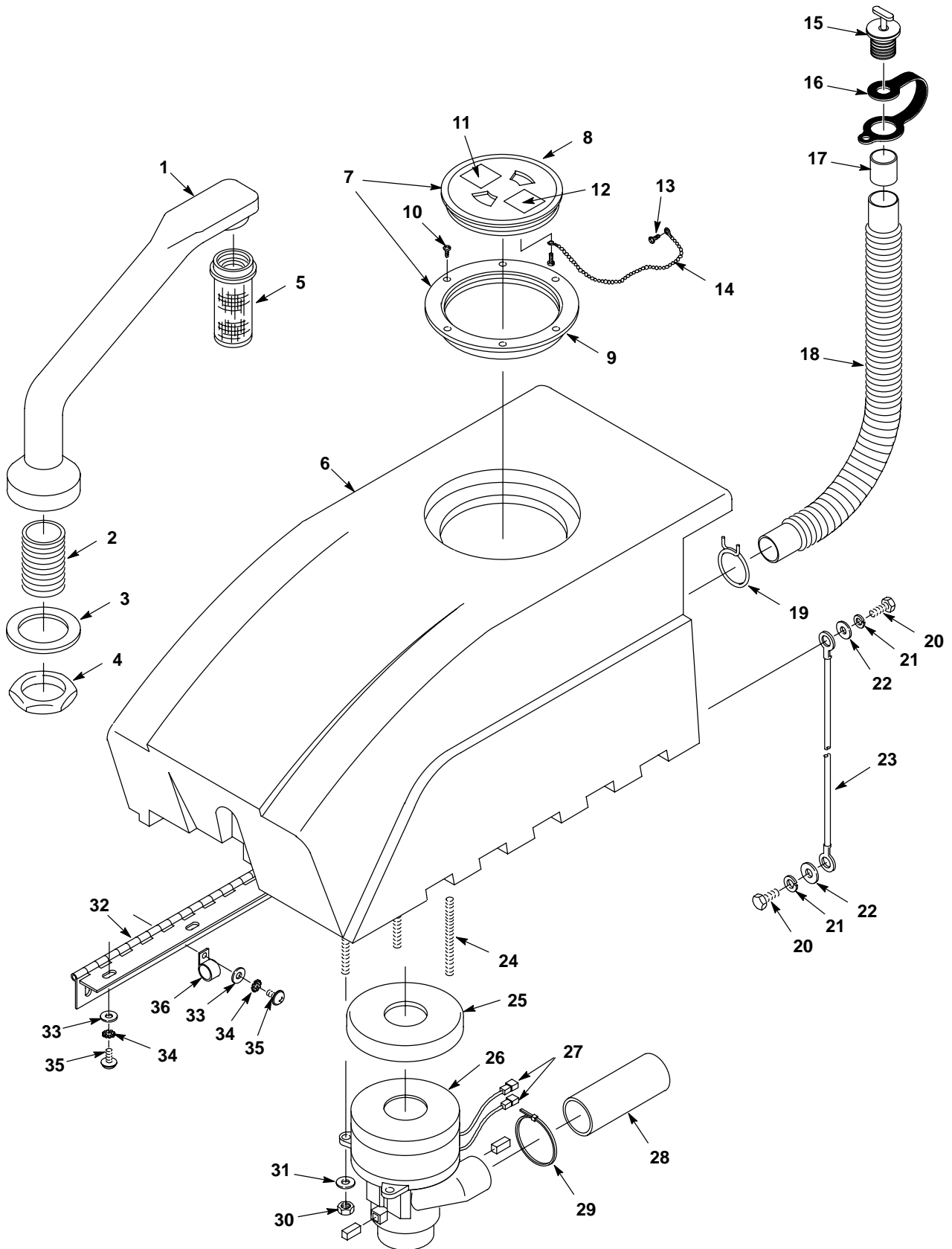
SOLUTION TANK REAR PANEL GROUP
CONJUNTO PANEL TRASERA

REF	PART #	DESCRIPTION	QTY.
1	100151	●GASKET, TUBE-ADAPTER	1
2	230664	ADAPTER, TUBE	1
3	140424	SPRING, TUBE-ADAPTER	1
4	230873	MOUNT, PLATE WELDMENT	1
5	160617	●HOSE, VAC 1-1/2X24" W/CUFFS	1
6	230927	PLATE, VALVE STOP	1
7	140027	WASHER, 5/16 FLAT	3
8	140015	WASHER, 5/16 SPLITLOCK	4

REF	PART #	DESCRIPTION	QTY.
9	140226	SCREW, 5/16-18X5/8	4
10	140548	NUT, 5/16 FINJAM	2
11	240191	KNOB, 5/16-18X2"	1
12	140259	SCREW, 1/4-20X5/8	2
13	140016	WASHER, 1/4 LOCK	2
14	140000	WASHER, 1/4 FLAT	2
15	230872	LATCH, PLATE BRUSH LIFT	1

● RECOMMENDED STOCK ITEMS / ARTICULOS RECOMENDADOS

RECOVERY TANK GROUP
CONJUNTO DESPÓSITO RECUPERAR



RECOVERY TANK GROUP
CONJUNTO DESPÓSITO RECUPERAR

REF	PART #	DESCRIPTION	QTY.
▽ 1	701103	ASM, STANDPIPE W/NIPPLE	1
▲ 2	606088	FITTING, 1-1/2" NIPPLE	1
3	101714	●GASKET, WASTE AIR CHAMBER	1
4	210240	NUT, 1-1/2 FPT FLNG METAL	1
5	180613	●FLOAT, SHUT-OFF (1)BALL	1
6	608629	TANK, RECOVERY GREEN	1
▽ 7	100102	●ASM., LID CLEAR W/STND HOLE	1
▲ 8	100105	●LID, CLEAR CENTER ONLY	1
▲ 9	100109	●LID, OUTER RING ONLY	1
10	140826	SCREW, #6X3/4	6
11	630420	DECAL, "FLAMMABLE MATERIAL"	1
12	578729	DECAL, READ MANUAL	1
13	3701.6	SCREW, #6X3/8	2
14	230513	CHAIN	1
15	621324	●PLUG, EXPANSION 1-1/2"DIA	1
16	578441	●STRAP, DRAIN HOSE	1
17	630394	●SLEEVE, DRAIN HOSE	1
18	605558	●HOSE, DRAIN	1
19	607777	CLAMP, HOSE 1WIRE BLK	1

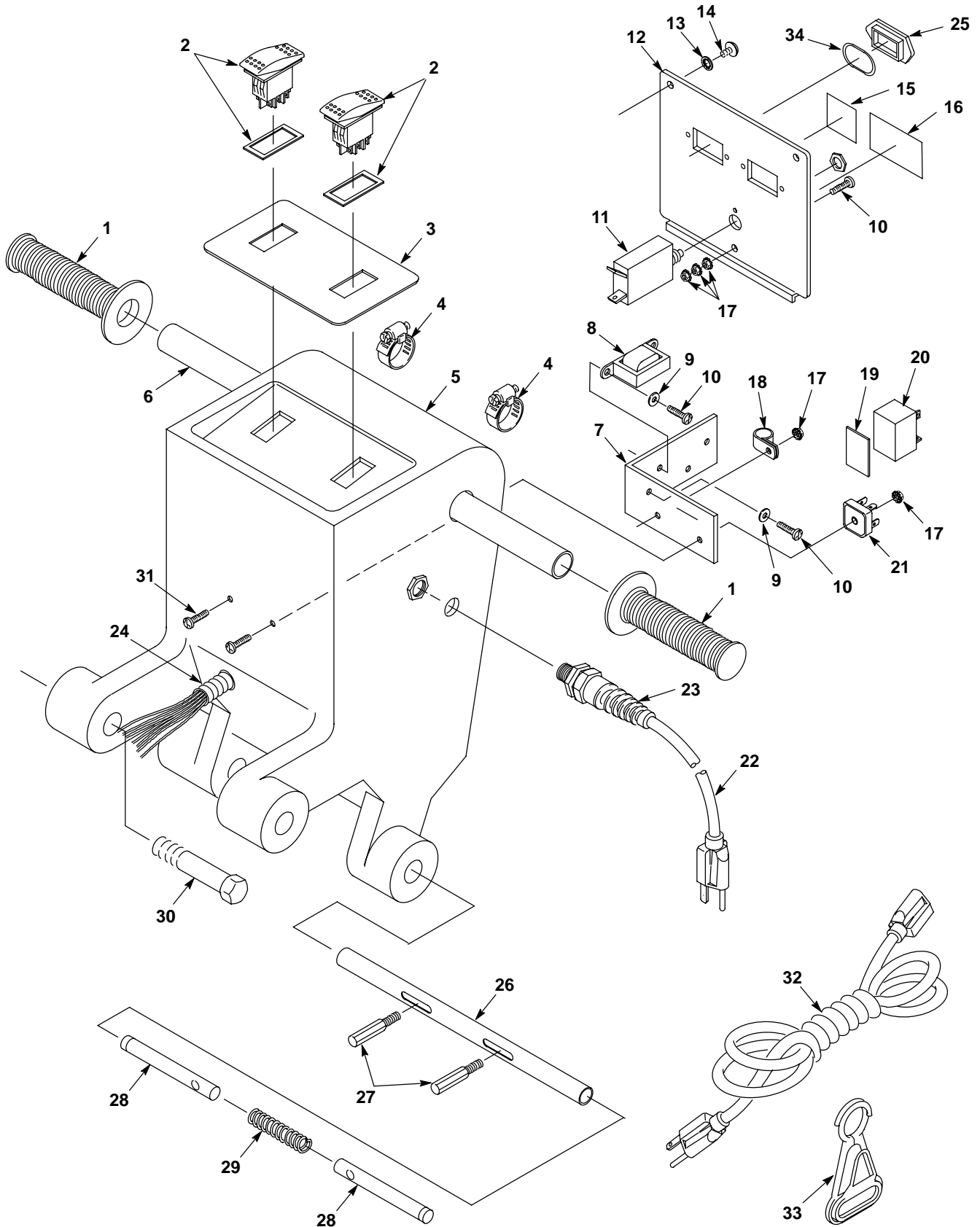
REF	PART #	DESCRIPTION	QTY.
20	140259	SCREW, 1/4-20X5/8	2
21	140016	WASHER, 1/4 LOCK	2
22	140000	WASHER, 1/4 FLAT	2
23	140960	●CABLE, REC. TANK SUPPORT	1
24	606923	STUD, 1/4-20X4.25	3
25	100038	●GASKET VAC MOTOR	1
26	130402	●MOTOR, VAC 5.7 2S 120V	1
	190155	●BRUSH, CARBON 2/PK	2
27	130133	TERMINAL, MALE .25	2
28	600009	●MUFFLER, VAC EXHAUST	1
29	130041	WIRE TIE, 11-1/2X.19	1
30	140501	NUT, 1/4-20 NYLOCK	3
31	140000	WASHER, 1/4 FLAT	3
32	605244	●HINGE, RECOVERY TANK	1
33	140000	WASHER, 1/4 FLAT	9
34	140052	WASHER, 1/4 EXT	9
35	140885	SCREW 1/4-20X1/2	9
36	140300	CLAMP, INSULATED 1/2"ID	1

▽ ASSEMBLY / CONJUNTO

▲ INCLUDED IN ASSEMBLY / INCLUIDO EN EL CONJUNTO

● RECOMMENDED STOCK ITEMS / ARTICULOS RECOMENDADOS

CONTROL CONSOLE GROUP
CONJUNTO CONSOLA DE CONTROLES



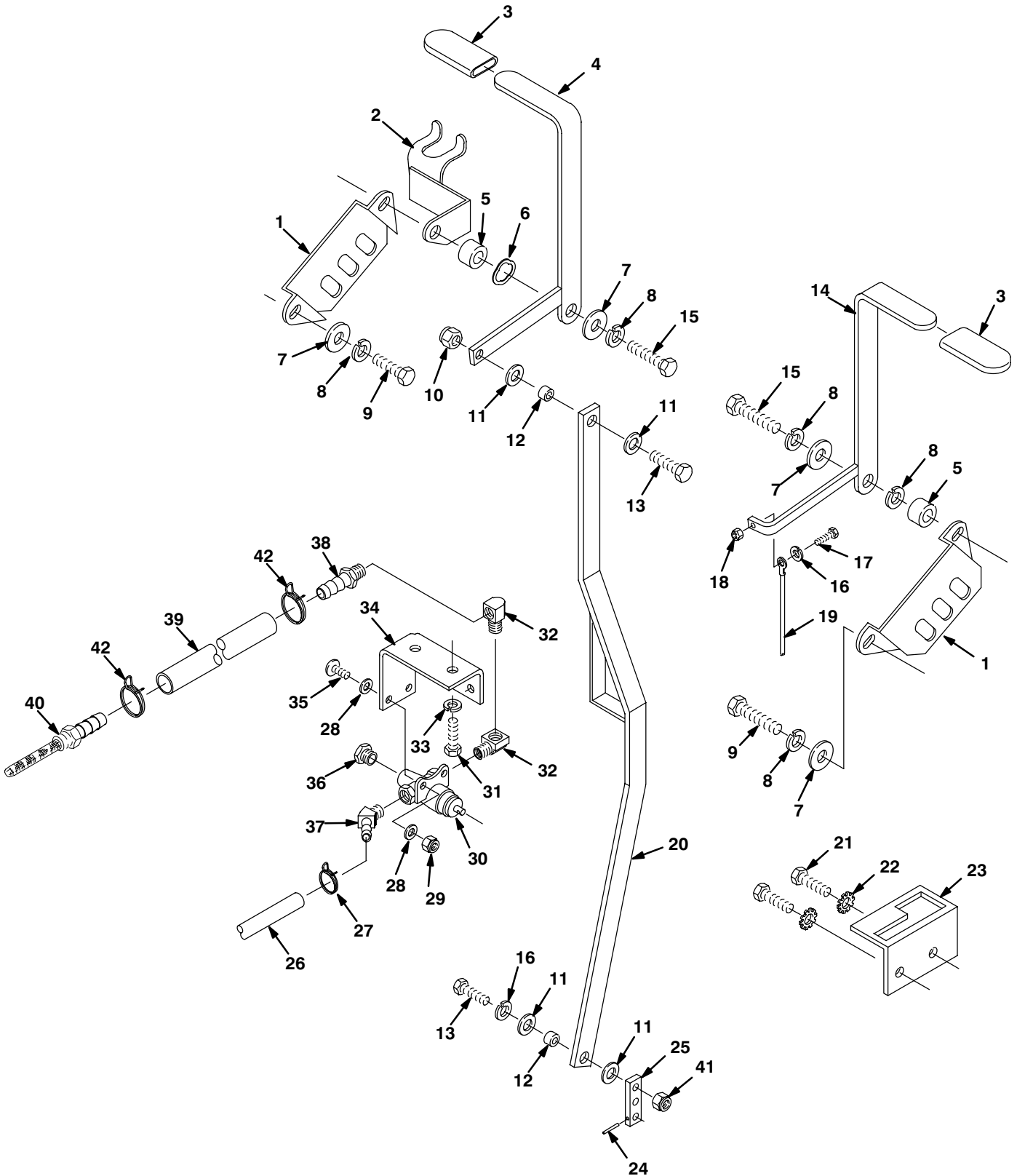
CONTROL CONSOLE GROUP
CONJUNTO CONSOLA DE CONTROLES

REF	PART #	DESCRIPTION	QTY.
1	200823	GRIP, HANDLE TUBE	2
2	608605	●SWITCH, ROCKER DPST SEAL	2
3	600813	DECAL, DASH	1
4	140307	CLAMP HOSE 3/4 TO 1-3/4	2
5	609015	CONTROL CONSOLE GREEN	1
6	230709	HANDLE, TUBE	1
7	230744	BRACKET, ELECTRONICS MOUNT	1
8	130025	●TRANSFORMER, 24V/115/230V.2A	1
9	140018	WASHER #10 INT	3
10	140900	SCREW, 10-24X3/4	4
11	130755	●BREAKER, CIRCUIT 10A 120V	1
12	610949	COVER, CONTROL CONSOLE	1
13	140018	WASHER, #10 INT	2
14	140197	SCREW, 10-24X3/8	2
15	606105	DECAL, DO NOT SPRAY	1
16	120619	DECAL, WARNING	1
17	140519	NUT, 10-24 KEP	5

REF	PART #	DESCRIPTION	QTY.
18	140916	CLAMP, CABLE 5/8ID	1
19	100058	TAPE, ACRYLIC FOAM - 1"	1
20	130021	●FLASHER, 24VDC	1
21	190753	●RECTIFIER, 60A/600V	1
22	130227	CORD, 14/3X20" YELLOW (120V)	1
23	130166	GRIP, STRAIN-RLF W/NUT (120V)	1
24	611760	HARNESS, WIRE MAIN	1
25	609969	●PLUG, HOUR METER	2
26	230715	TUBE, HANDLE ADJUSTMENT	1
27	230649	PIN, HANDLE ADJUSTMENT	2
28	230710	PIN, HANDLE LOCK	2
29	140415	SPRING, LOCK PIN	1
30	140241	BOLT, SHOULDER 5/8 X 2	2
31	140900	SCREW, 10-24X3/4	2
32	130229	CORD, EXT 14/3X75' (120V)	1
33	130176	●CLIP, BELT STRAIN-RELIEF	1
34	605823	●O-RING .926 ID X .99600	2

● RECOMMENDED STOCK ITEMS / ARTICULOS RECOMENDADOS

LEVER GROUP
CONJUNTO DE PALANCAS



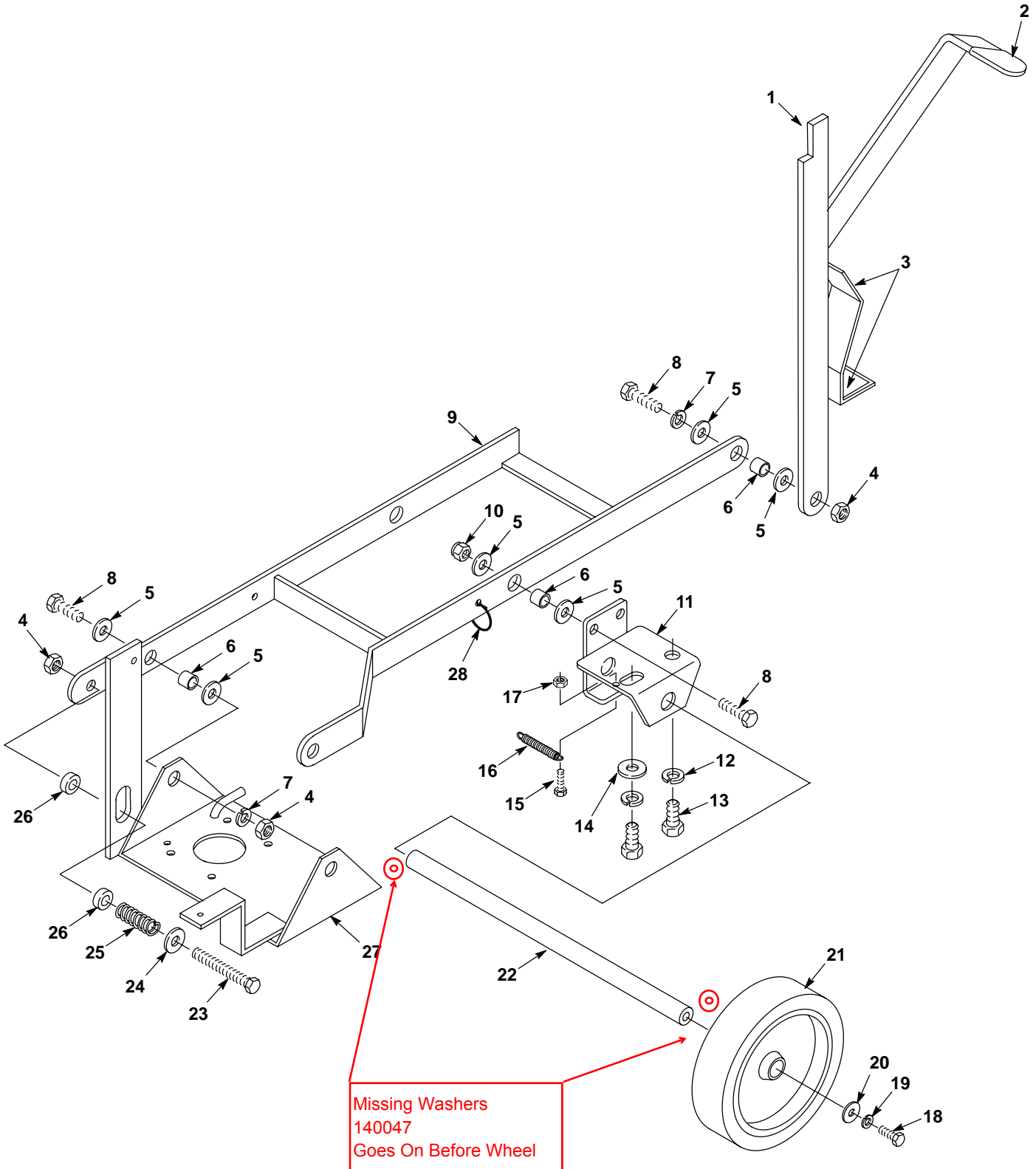
LEVER GROUP
CONJUNTO DE PALANCAS

REF	PART #	DESCRIPTION	QTY.
1	230661	PLATE, LOCK CONTROL HOUSING	2
2	602641	BRACKET, DRAIN HOSE HANGER	1
3	200816	●GRIP, HANDLE	2
4	230719	HANDLE, SOLUTION VALVE	1
5	230735	BUSHING, SPACER	2
6	140060	WASHER, .50 WAVE	2
7	140027	WASHER, 5/16 FLAT	4
8	140015	WASHER, 5/16 SPLITLOCK	4
9	140226	SCREW, 5/16-18X5/8	2
10	140510	NUT, 1/4-20 HEXJAM	1
11	140000	WASHER, 1/4 FLAT	4
12	140134	BUSHING	2
13	140208	SCREW, 1/4-20X1	2
14	230728	HANDLE, SQUEEGEE LIFT	1
15	140221	SCREW, 5/16-18X1-1/4	2
16	140016	WASHER, 1/4 LCK	2
17	140259	SCREW, 1/4-20X5/8	1
18	140510	NUT, 1/4-20 HEXJAM	1
19	140931	●CABLE, SQUEEGEE LIFT	1
20	230718	LEVER, SOLUTION VALVE	1
21	140951	SCREW, 10-24X7/16	2

REF	PART #	DESCRIPTION	QTY.
22	140031	WASHER, #10 EXT	2
23	230712	PLATE, SQUEEGEE LOCK	1
24	140616	PIN, ROLL	1
25	230657	ARM, VALVE	1
26	606238	HOSE, 3/8IDX5/8ODX18	1
27	607776	CLAMP, HOSE 2WIRE BLK	1
28	140011	WASHER, 3/16 FLAT	4
29	140552	NUT, 10-24 NYLOCK	2
30	210259	●VALVE, 3-WAY	1
31	140259	SCREW, 1/4-20X5/8	2
32	150406	FITTING, 1/4MX1/4F ELB 90	2
33	140016	WASHER, 1/4 LOCK	2
34	600750	BRACKET, VALVE	1
35	140895	SCREW, 10-24X3/4	2
36	150206	PLUG, HXHD 1/4"	1
37	605394	FITTING, HOSE BARB	1
38	150517	FITTING, 1/4MX1/2H BARB	1
39	606241	HOSE, 1/2ID X 6"	1
40	180629	FILTER, SOLUTION TANK	1
41	140501	NUT, 1/4-20 NYLOCK	1
42	607775	CLAMP, HOSE 2WIRE BLK	2

● RECOMMENDED STOCK ITEMS / ARTICULOS RECOMENDADOS

NON-DRIVE MODEL WHEEL GROUP
CONJUNTO PARA LEVANTAR CEPILLO



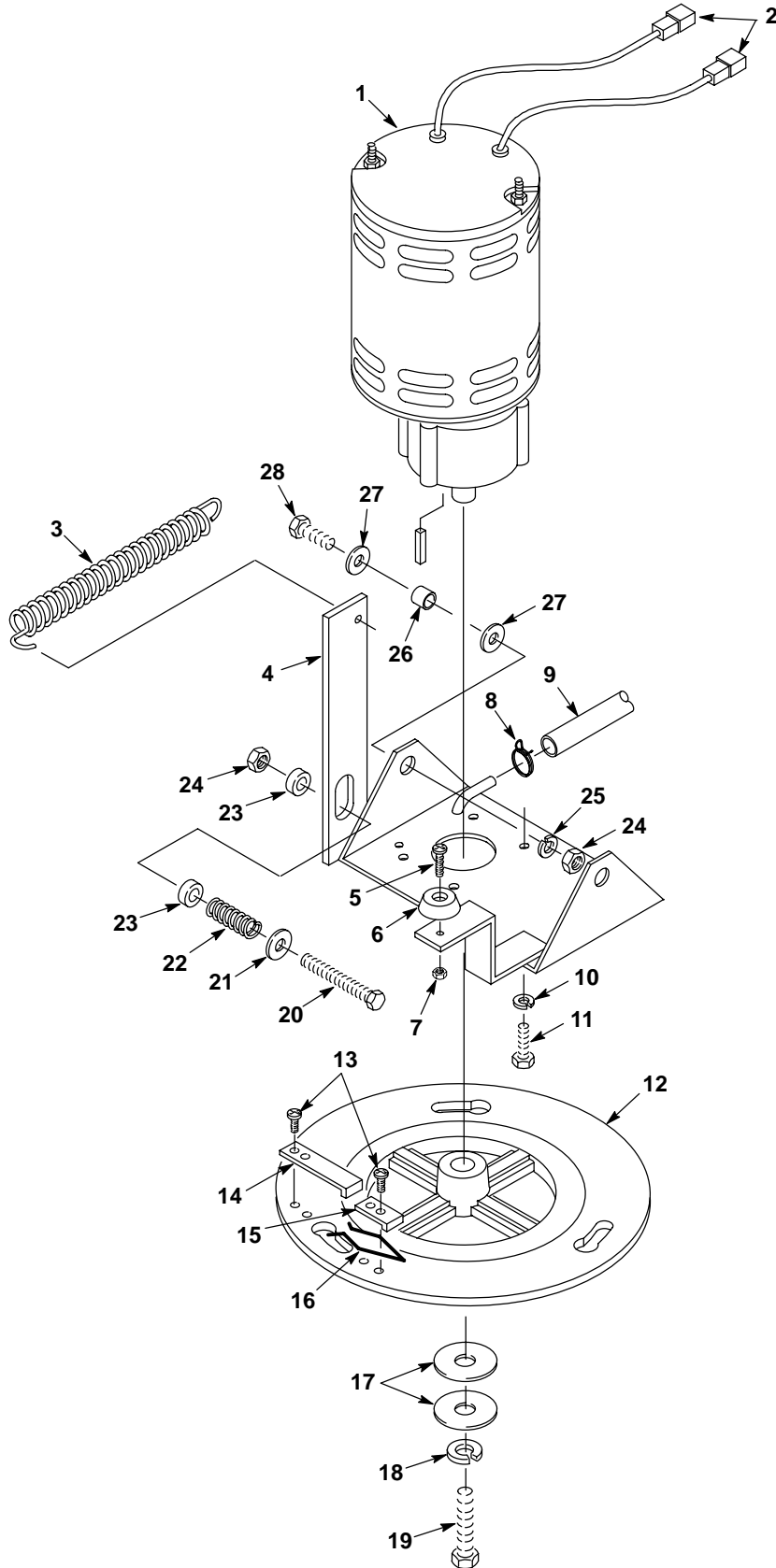
NON-DRIVE MODEL WHEEL GROUP
CONJUNTO PARA LEVANTAR CEPILLO

REF	PART #	DESCRIPTION	QTY.
1	230874	LEVER, BRUSH LIFT FOOT	1
2	200816	GRIP, HANDLE	1
3	102560	PAD, NON-SLIP	2
4	140509	NUT, 1/2-13 HEXJAM	4
5	140045	WASHER, .510X1.25X.06 FLAT	10
6	140139	BUSHING, BRUSH LIFT PEDAL	5
7	140024	WASHER, 1/2 LOCK	3
8	140236	SCREW, 1/2-13X1-1/4 HXHDCP	5
9	230870	WELDMENT, LIFT BRACKET	1
10	140516	NUT, 1/2-13 NYLOCK	2
11	230869	BRACKET, AXLE & SQ PIVOT MNT	2
12	140024	WASHER, 1/2 LOCK	4
13	140237	SCREW, 1/2-13X1 HXHDCP	6
14	140045	WASHER, .510X1.25X.06 FLAT	2

REF	PART #	DESCRIPTION	QTY.
15	140223	SCREW, 5/16-18X3/4 HXHDCP	2
16	140433	SPRING, EXTENSION 3"	2
17	140506	NUT, 5/16-18 HEX	2
18	140201	SCREW, 3/8-16X3/4 HXHDCP	2
19	140017	WASHER, 3/8 SPLITLOCK	2
20	140028	WASHER, 3/8 FLAT	2
21	607577	●WHEEL 8"X1.5"	2
22	230743	AXLE, 3/4 OD X 16-5/8	1
23	140234	SCREW, 1/2-13X2-1/2 HXHDCP	1
24	3148.816	WASHER, FLAT	1
25	140430	SPRING, HANDLE LOCK	1
26	140127	BEARING, THRUST	2
27	230871	BRACKET, MOTOR MOUNT	1
28	130040	WIRE TIE, NYLON	1

● RECOMMENDED STOCK ITEMS / ARTICULOS RECOMENDADOS

BRUSH DRIVE GROUP
CONJUNTO IMPULSO DE CEPILLO



BRUSH DRIVE GROUP
CONJUNTO IMPULSO DE CEPILLO

REF	PART #	DESCRIPTION	QTY.
▽ 1	130481	●MOTOR, BRUSH DRIVE (120V)	1
▲	22117	●BRUSH, CARBON	4
▲	190742	●ASM, BRUSH CARD	1
2	130192	TERMINAL ENDS	2
3	140431	SPRING, EXTENSION 5"	1
4	230871	BRACKET, MOTOR MOUNT	1
5	140823	SCREW, 10-24X5/8 TRSPHL	1
6	100091	BUMPER, RECESSED	1
7	140552	NUT, 10-24 NYLOCK	1
8	607775	CLAMP, HOSE 2WIRE BLK	1
9	609924	HOSE, 3/8IDX5/8ODX19" CLEAR	1
10	140017	WASHER, 3/8 SPLITLOCK	4
11	140202	SCREW, 3/8-16X1 HXHDCP	4
12	606335	PLATE, DRIVE MOLDED	1

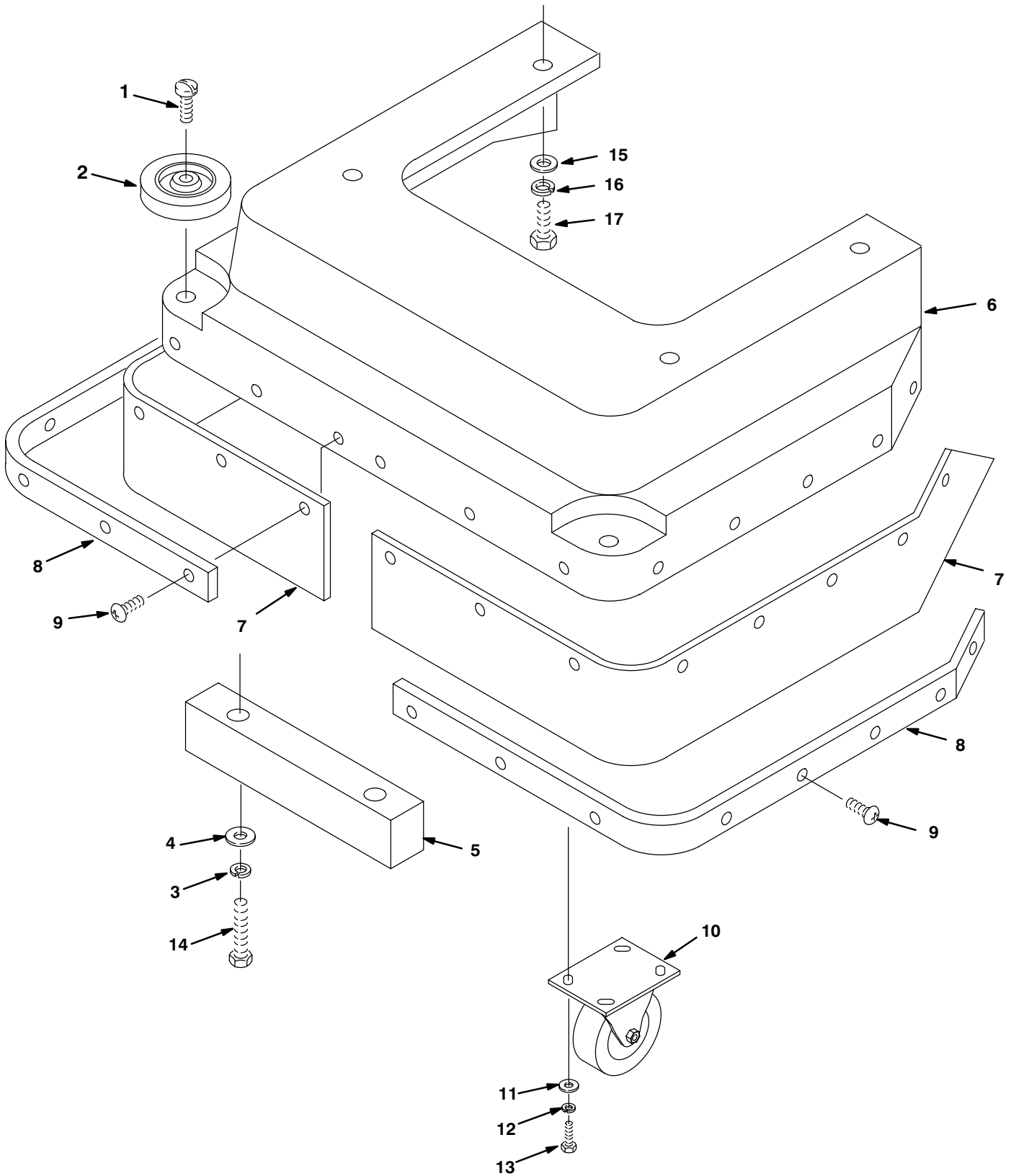
REF	PART #	DESCRIPTION	QTY.
13	606915	SCREW, HIGH-LOW 10-16X3/8	4
14	230697	●STOP, DRIVER RELEASE	1
15	230651	●CLAMP, BRUSH PLATE	1
16	140417	●CLIP, SPRING	1
17	25732	WASHER, FLAT	2
18	140015	WASHER, 5/16 SPLITLOCK	1
19	140219	SCREW, 5/16-18X1 HXHDCP	1
20	140234	SCREW, 1/2-13X2-1/2	1
21	3148.816	WASHER, FLAT	1
22	140430	SPRING	1
23	140127	BEARING, THURST	2
24	140509	NUT, 1/2-13 HXJM	3
25	140024	WASHER, 1/2 LOCK	2
26	140139	BUSHING, BRUSH LIFT PEDAL	2
27	140045	WASHER, .510X1.25X.06 FLAT	4
28	140236	SCREW, 1/2-13X1-1/4	2

▽ ASSEMBLY / CONJUNTO

▲ INCLUDED IN ASSEMBLY / INCLUIDO EN EL CONJUNTO

● RECOMMENDED STOCK ITEMS / ARTICULOS RECOMENDADOS

SKIRT GROUP
CONJUNTO JUEGO



SKIRT GROUP
CONJUNTO JUEGO

REF	PART #	DESCRIPTION	QTY.
∇	608519	ASM, SKIRT 20" GREEN	1
▲	1	●SCREW, 5/16-18X1-1/2 TRSPHL	2
▲	2	●WHEEL, RUBBER	2
▲	3	WASHER, 5/16 SPLITLOCK	4
▲	4	WASHER, 5/16 FLAT	2
▲	5	WEIGHT, 2X2.5X9.5	1
▲	6	SKIRT, HSG. 20" GREEN	1
▲	7	●GUARD, SPLASH	2
▲	8	STRAP, SPLASH GUARD	2

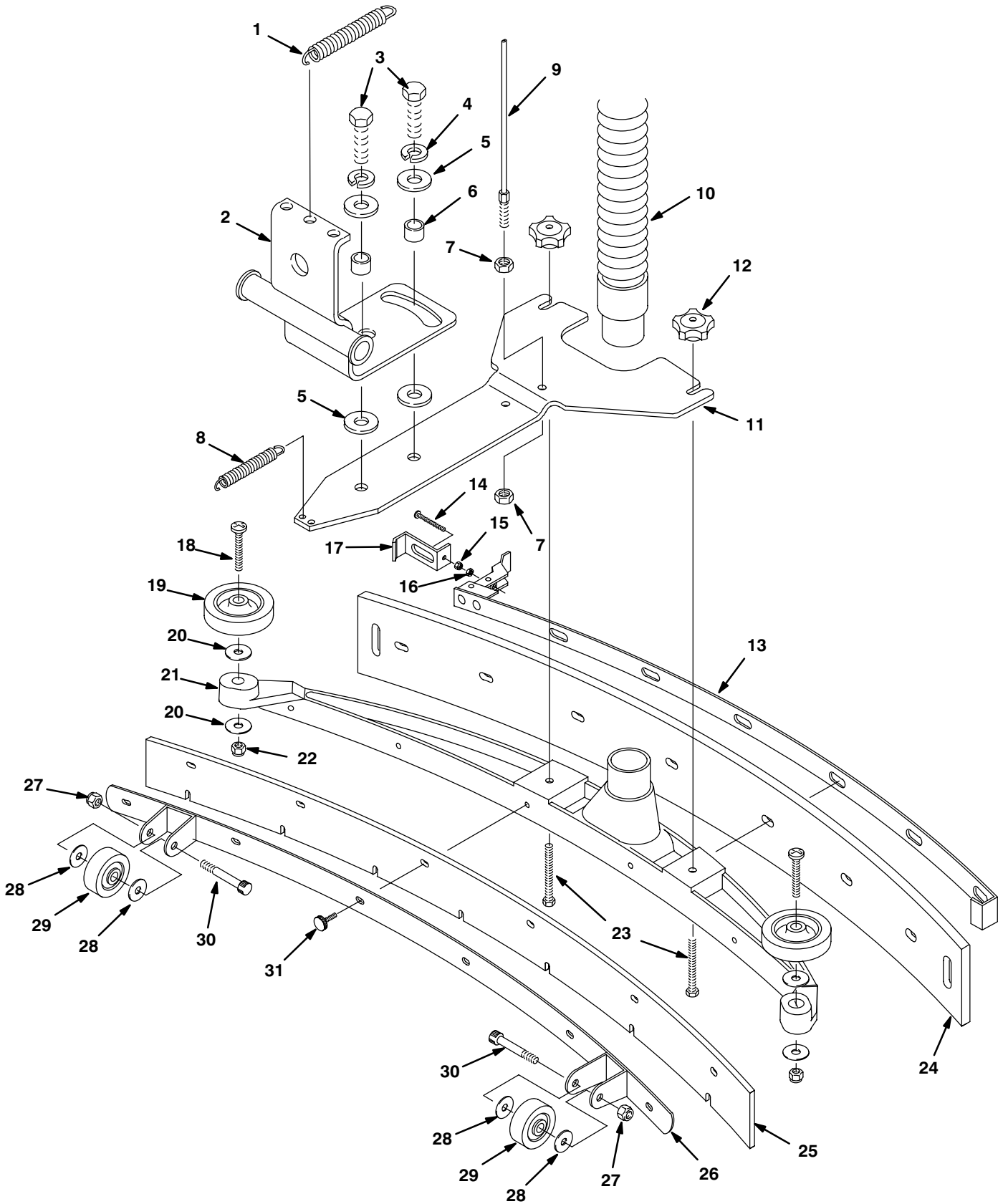
REF	PART #	DESCRIPTION	QTY.
▲	9	SCREW, 10-24X1/2" TRSPHL	16
▲	10	●CASTER, SWIVEL 3"X1.25"	2
▲	11	WASHER, 1/4 FLAT	8
▲	12	WASHER, 1/4 LOCK	8
▲	13	SCREW, 1/4-20X5/8 HXHDCP	8
▲	14	SCREW, 5/16-18X2-1/2 TAP	2
	15	WASHER, FLAT	4
	16	WASHER, 5/16 SPLTLOCK	2
	17	SCREW, 5/16-18X1-1/2 HXHDCP	4

∇ ASSEMBLY / CONJUNTO

▲ INCLUDED IN ASSEMBLY / INCLUIDO EN EL CONJUNTO

● RECOMMENDED STOCK ITEMS / ARTICULOS RECOMENDADOS

CURVED SQUEEGEE GROUP
CONJUNTO PALETA ENCORUADO



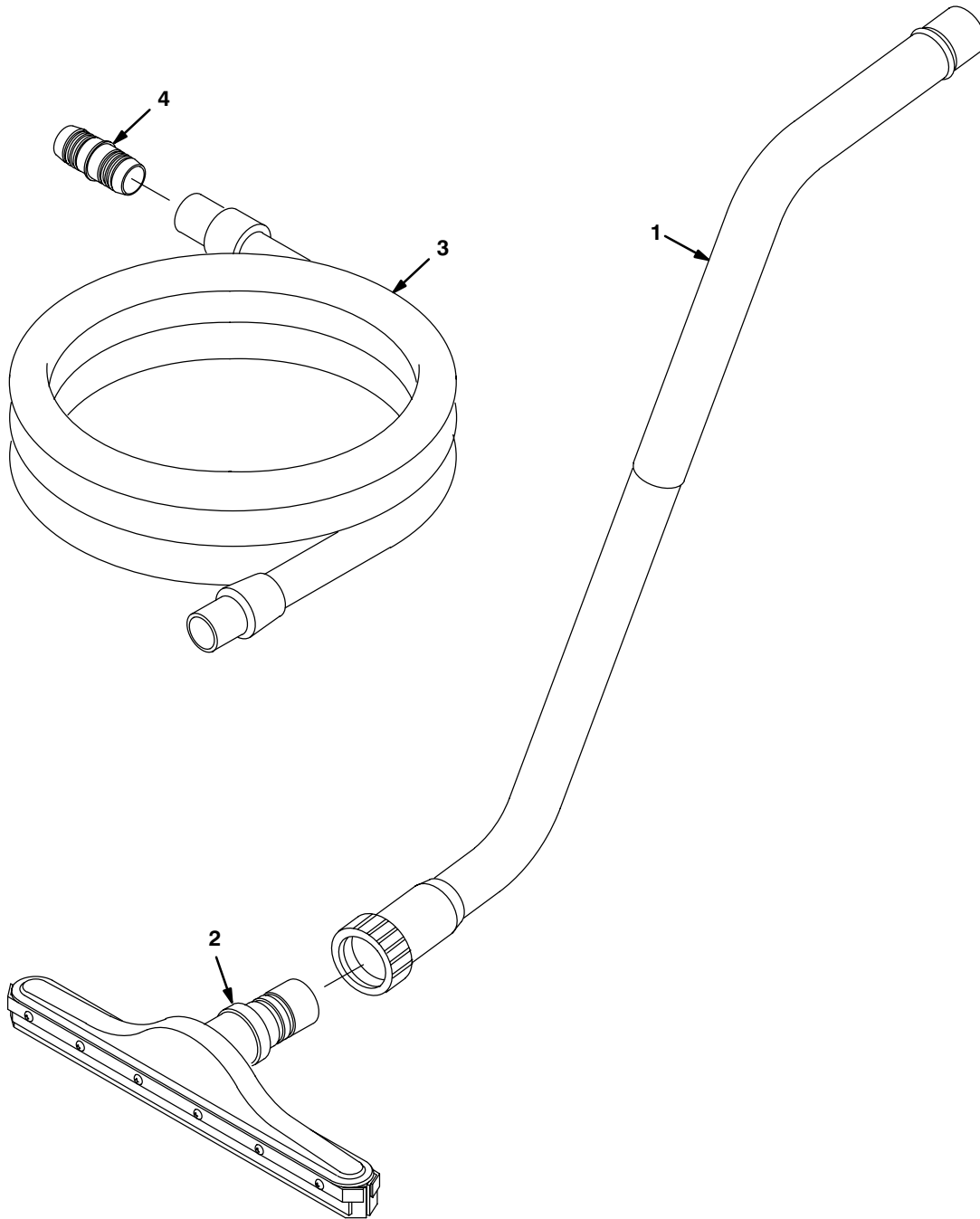
CURVED SQUEEGEE GROUP
CONJUNTO PALETA ENCORUADO

REF	PART #	DESCRIPTION	QTY.
1	603149	SPRING, SQUEEGEE	1
2	608834	PIVOT, SQUEEGEE MOUNT	1
3	140237	SCREW, 1/2-13X1 HXHDCP	2
4	140024	WASHER, 1/2 LOCK	2
5	140045	WASHER, .510X1.25X.06 FLAT	4
6	140139	BUSHING, BRUSH LIFT PEDAL	2
7	140524	NUT, 1/4-20 KEP	2
8	140433	SPRING, EXTENSION 3"	2
9	140931	●CABLE, SQUEEGEE LIFT	1
10	612798	●HOSE, VAC 1-1/2X27" W/CUFFS	1
11	612793	BRACKET, SQUEEGEE MOUNT	1
12	605361	●KNOB, BLACK	2
13	630348	●ASM., BAND SQUEEGEE REAR	1
14	630389	SCREW, M5X45	1
15	140283	NUT, M5X.8 NYLOCK	1
16	140297	NUT, M5X.8 HEX	1
17	630287	●CLIP, SQUEEGEE BAND	1
18	630424	SCREW, M8X1.25X70	2
19	630450	●WHEEL, RUBBER	2
20	630303	WASHER, FLAT	4
21	630275	CASTING, SQUEEGEE 20"	1
22	200160017	NUT, M8 LOCK	2
23	140799	SCREW, 5/16-18X1-1/2 THP	2

● RECOMMENDED STOCK ITEMS / ARTICULOS RECOMENDADOS

REF	PART #	DESCRIPTION	QTY.
24	STANDARD REAR BLADES		
	612792	●BLADE, SQUEEGEE REAR LINATEX (RED) STANDARD	1
	630296	●BLADE, SQUEEGEE REAR GUM RUBBER (TAN) OPTIONAL	1
	612794	●BLADE, SQUEEGEE REAR URETHANE (WHITE) OPTIONAL	1
25	STANDARD FRONT BLADES		
	612983	●BLADE, FRONT SQUEEGEE LINATEX (RED) STANDARD	1
	612984	●BLADE, FRONT SQUEEGEE GUM RUBBER (TAN) OPTIONAL	1
	612985	●BLADE, FRONT SQUEEGEE URETHANE (WHITE) OPTIONAL	1
	QUARRY TILE FRONT BLADES		
	612980	●BLADE, FRONT SQUEEGEE LINATEX (RED) OPTIONAL	1
	612981	●BLADE, FRONT SQUEEGEE GUM RUBBER (TAN) OPTIONAL	1
	612982	●BLADE, FRONT SQUEEGEE URETHANE (WHITE) OPTIONAL	1
26	612791	●BAND, SQUEEGEE FRONT	
27	601108000	NUT, 5/16-18 HEX LOCK	2
28	140028	WASHER, 3/8 DIA	4
29	630477	●WHEEL, 2" DIA	2
30	600187	SCREW, 3/8X1-1/4 SHOULDER	2
31	603012	●KNOB, SQUEEGEE FRONT	6

**SQUEEGEE WAND ASSEMBLY
GROUPE D'ASPIRATION ET RACLETTE À MAIN**



REF	PART #	DESCRIPTION	QTY.
▽	190928	●ASM, WAND DOUBLE BEND	1
▲ 1	6108.1	WAND, DOUBLE BEND	1
▲ 2	13840	SQUEEGEE ASM PUSH/PULL	1

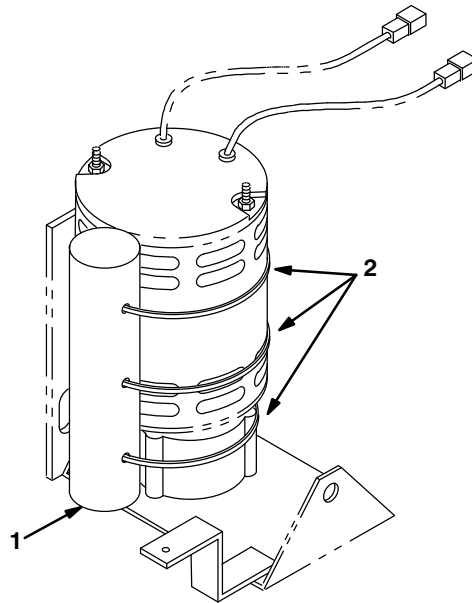
REF	PART #	DESCRIPTION	QTY.
▲ 3	160481	●HOSE, VAC 1-1/2X10'	1
▲ 4	160451	CONNECTOR, VAC HOSE	1

▽ ASSEMBLY / CONJUNTO

▲ INCLUDED IN ASSEMBLY / INCLUIDO EN EL CONJUNTO

● RECOMMENDED STOCK ITEMS / ARTICULOS RECOMENDADOS

**BRUSH WEIGHT KIT
KIT DEL PESO DEL CEPILLO**



REF	PART #	DESCRIPTION	QTY.
▽	190703	●KIT, BRUSH WEIGHT	1
▲ 1	230799	WEIGHT, BRUSH	1

REF	PART #	DESCRIPTION	QTY.
▲ 2	130042	WIRE TIE, NYLON	6

▽ ASSEMBLY / CONJUNTO

▲ INCLUDED IN ASSEMBLY / INCLUIDO EN EL CONJUNTO

● RECOMMENDED STOCK ITEMS / ARTICULOS RECOMENDADOS