

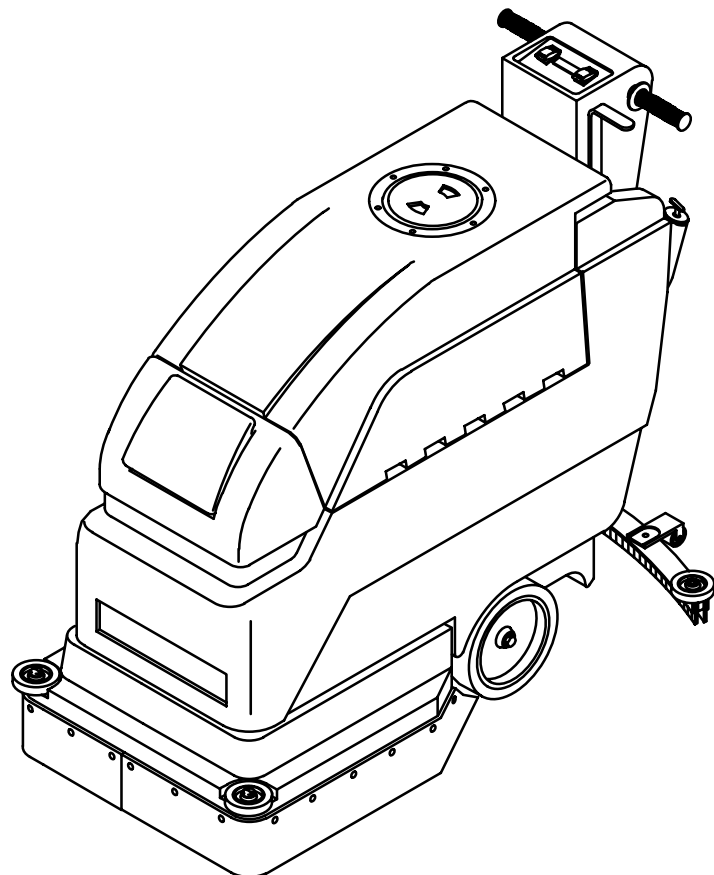


Speed Scrub™ 2001

Electric Automatic Scrubber
Fregadora Automática Eléctrico

Model No.:
608966
608967 – Pac
609244 – Can.

Operator and Parts Manual
Manual de Operación y de Piezas



NOBLES
12875 RANSOM STREET
HOLLAND MI 49424 U.S.A.

CUSTOMER SERVICE: 1-800-365-6625
FAX: 1-800-678-4240

609410
Rev. 01 (11-01)

OPERATION

This manual is furnished with each new model. It provides necessary operation and maintenance instructions and an illustrated parts list.

Read this manual completely and understand the machine before operating or servicing it.

When ordering replacement parts, use the parts lists section in this manual. Before ordering parts or supplies, be sure to have your machine model number and serial number available. Parts and supplies may be ordered by phone or mail from any Authorized Service Center or Distributor.

This machine will provide excellent service. However, the best results will be obtained at minimum costs if:

- The machine is operated with reasonable care.
- The machine is maintained regularly - per the maintenance instructions provided.
- The machine is maintained with manufacturer supplied or equivalent parts.

MACHINE DATA

Please fill out at time of installation for future reference.

Model No.- _____

Install. Date - _____

Serial No.- _____

©2001 Tennant Company

Printed in U.S.A

Nobles and Speed Scrub are registered United States trademarks of Tennant Company.

Specifications and parts are subject to change without notice.

TABLE OF CONTENTS (ESPAÑOL ÍNDICE....13)

SAFETY PRECAUTIONS	3	TRANSPORTING MACHINE	10
GROUNDING INSTRUCTIONS	3	STORING MACHINE	10
MACHINE COMPONENTS	4	RECOMMENDED STOCK ITEMS	10
MACHINE INSTALLATION	5	TROUBLE SHOOTING	11
UNCRATING MACHINE	5	SPECIFICATIONS	12
FILLING BALLAST TANK	5	ELECTRICAL DIAGRAMS	26
MACHINE SETUP	5	PARTS LIST	28
ATTACHING SQUEEGEE	5	REPLACEMENT BRUSHES AND PAD DRIVER	
INSTALLING BRUSH OR PAD DRIVER	5	GROUP	28
FILLING SOLUTION TANK	6	SOLUTION TANK GROUP	30
CONNECTING POWER CORD	7	SOLUTION TANK REAR PANEL GROUP ..	32
MACHINE OPERATION	7	RECOVERY TANK GROUP	34
PRE-OPERATION CHECKS	7	CONTROL CONSOLE GROUP	36
WHILE OPERATING MACHINE	8	LEVER GROUP	38
BRUSH MOTOR CIRCUIT BREAKER	8	NON-DRIVE MODEL WHEEL GROUP	40
DRAINING TANKS	8	BRUSH DRIVE GROUP	42
DRAINING RECOVERY TANK	8	SKIRT GROUP	44
DRAINING SOLUTION TANK	9	CURVED SQUEEGEE GROUP	46
MACHINE MAINTENANCE	9	OPTIONS	48
DAILY MAINTENANCE	9	SQUEEGEE WAND ASSEMBLY	48
MONTHLY MAINTENANCE	10	BRUSH WEIGHT KIT	49
QUARTERLY MAINTENANCE	10		

SAFETY PRECAUTIONS

This machine is intended for commercial use. It is suited to scrub floors in an indoor environment and is not constructed for any other use. Use only recommended pads, brushes and cleaning detergents.

The following safety alert symbols are used throughout this manual as indicated in their description.

⚠ WARNING: To warn of hazards or unsafe practices which could result in severe personal injury or death.

FOR SAFETY: To identify actions which must be followed for safe operation of equipment.

The following information signals potentially dangerous conditions to the operator or equipment:

FOR SAFETY:

1. Do not operate machine:
 - Unless trained and authorized.
 - Unless operator manual is read and understood.
 - In flammable or explosive areas unless designed for use in those areas.
 - With damaged cord or plug.
 - If not in proper operating condition.
 - In outdoor areas.
 - In standing water.
 - With the use of additional extension cords. Only use manufacturer's extension cord equipped with machine which has proper capacity and is grounded.
2. Before operating machine:
 - Make sure all safety devices are in place and operating properly.
3. When using machine:
 - Do not run machine over cord.
 - Do not pull machine by plug or cord.
 - Do not pull cord around sharp edges or corners.
 - Do not unplug by pulling on cord.
 - Do not stretch cord.
 - Do not handle plug with wet hands.
 - Keep cord away from heated surfaces.
 - Go slow on inclines and slippery surfaces.
 - Use care when reversing machine.
 - Always follow safety and traffic rules.
 - Report machine damage or faulty operation immediately.
 - Do not carry riders on machine.

- Follow mixing and handling instructions on chemical containers.

4. Before leaving or servicing machine:

- Stop on level surface.
- Turn off machine.
- Unplug cord from wall outlet.

5. When servicing machine:

- Unplug cord from wall outlet.
- Avoid moving parts. Do not wear loose jackets, shirts, or sleeves.
- Block machine tires before jacking up.
- Use hoist or jack of adequate capacity to lift machine.
- Use manufacturer supplied or approved replacement parts.

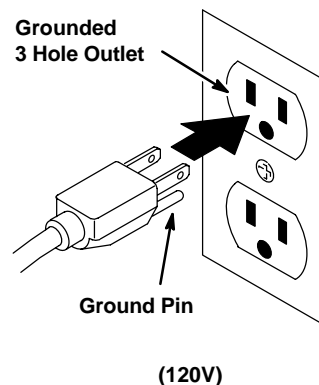
⚠ WARNING: Hazardous Voltage. Shock or electrocution can result. Unplug machine before servicing.

⚠ WARNING: Flammable materials can cause an explosion or fire. Do not use flammable materials in tank(s).

⚠ WARNING: Flammable materials or reactive metals can cause an explosion or fire. Do not pick up.

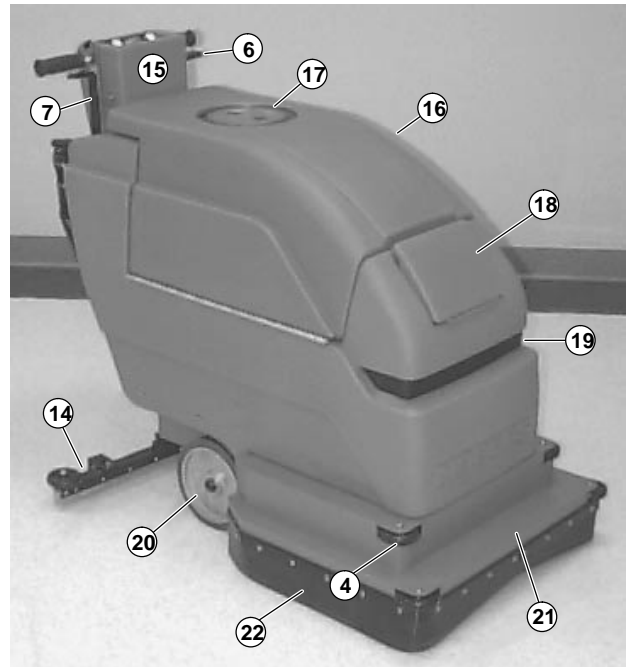
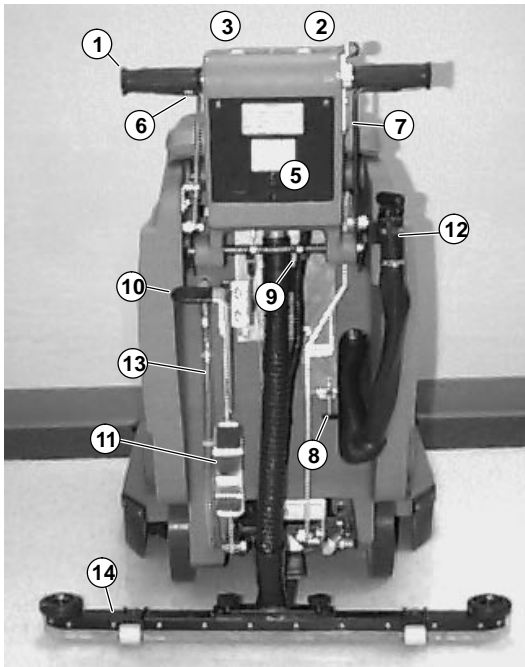
GROUNDING INSTRUCTIONS

Machine must be grounded. If it should malfunction or breakdown, grounding provides a path of least resistance for electrical current to reduce the risk of electrical shock. This machine is equipped with a cord having an equipment-grounding conductor and grounding plug. The plug must be plugged into an appropriate outlet that is properly installed in accordance with all local codes and ordinances. Do not remove ground pin; if missing, replace plug before use.



OPERATION

MACHINE COMPONENTS



1. Control Grips
2. Vacuum ON/OFF Switch
3. Brush ON/OFF Switch
4. Wall Rollers
5. Brush Circuit Breaker
6. Squeegee Lift Lever
7. Solution Flow Lever
8. Solution Flow Adjustment Knob
9. Adjustable Control Console Levers
10. Brush Lift Lever
11. Brush Lift Foot Lever

12. Recovery Tank Drain Hose
13. Solution Tank Drain Hose
14. Squeegee Assembly
15. Control Console
16. Recovery Tank
17. Recovery Tank Lid
18. Solution Fill Door
19. Safety Lights
20. Rear Drive Wheel
21. Scrub Head
22. Scrub Head Skirt

MACHINE INSTALLATION

UNCRATING MACHINE

Carefully check carton for signs of damage. Report damages at once to carrier. Check carton contents to ensure all accessories are included.

To uncrate your machine, remove straps and raise brush head. To raise brush head, step down firmly on the bottom brush lift foot pedal until pedal locks into the raised position. Carefully lift or create a ramp using crate boards to remove machine from pallet.

ATTENTION: Do not roll machine off pallet, damage may occur.

FILLING BALLAST TANK

After removing machine from shipping pallet, hinge over the recovery tank and fill ballast tank with clean water. Replace plug securely after filling (Figure 1). *(Models sold in Canada require recovery tank lock bracket removal to access ballast tank).*



FIG. 1

MACHINE SETUP

ATTACHING SQUEEGEE

1. Pull back on squeegee lift lever to raise squeegee mount bracket.
2. Loosen two thumb knobs on squeegee and slide squeegee into slot at rear of squeegee mount bracket. Make sure that squeegee roller wheels are facing toward the rear (Figure 2).

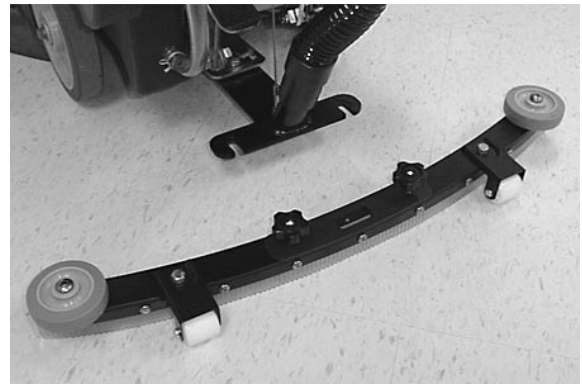


FIG. 2

3. Tighten thumb knobs securely.

INSTALLING BRUSH OR PAD DRIVER

1. Turn machine off.

FOR SAFETY: Before leaving or servicing machine, stop on level surface and turn off machine.

2. Lower brush head. Step down firmly on top pedal and push pedal forward to lower (Figure 3).



FIG. 3

3. Position squeegee swivel mechanism so it's centered behind machine.
4. Tilt machine back to access motor hub.
5. Select a recommended pad or brush that best meets your cleaning needs.

NOTE: Consult your authorized distributor for pad and brush recommendations.

OPERATION

6. **(For Pad Installation)** Attach pad to pad driver before installing driver to motor hub. To attach pad, remove plastic centerlock from pad driver and position pad centered on driver, replace centerlock securely (Figure 4).



FIG. 4

7. Attach brush/pad driver to motor hub. Align 3 mounting studs with slots in motor hub and give the driver a quick turn toward the spring clip on the motor hub to attach brush/pad driver. Be certain that spring clip locks into one of the studs on the driver before operating machine (Figure 5).

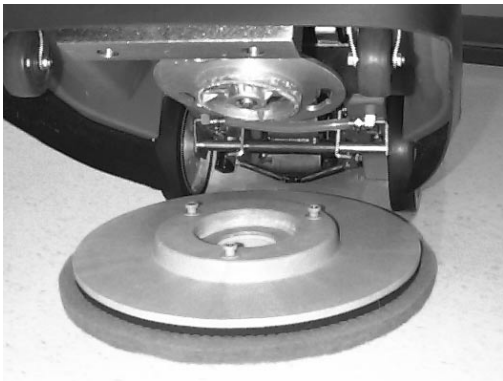


FIG. 5

8. Raise brush head. To raise brush head, step down firmly on the bottom brush lift foot pedal until brush locks into the raised position (Figure 6).

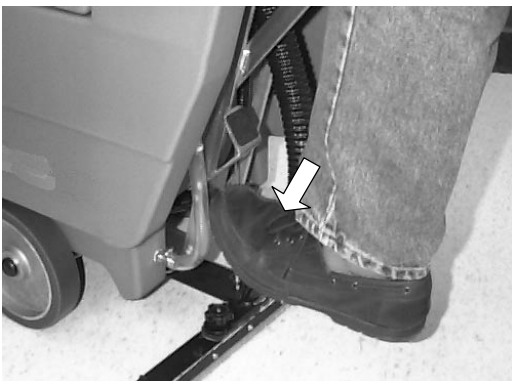


FIG. 6

FILLING SOLUTION TANK

1. Push machine to fill station. Raise squeegee and brush head when transporting.
2. Pull solution flow lever completely back to shut off solution flow (Figure 7).



FIG. 7

3. Open solution fill door at front of machine and fill solution tank with 38L (10 gal) of clean water, 60°C (140°F) maximum temperature. Or use the rear fill port to fill solution tank. The clear tube below the fill port has 19L (5 gal) increment markers to indicate amount of water in tank (Figure 8).

⚠ WARNING: Flammable materials can cause an explosion or fire. Do not use flammable materials in tank(s).

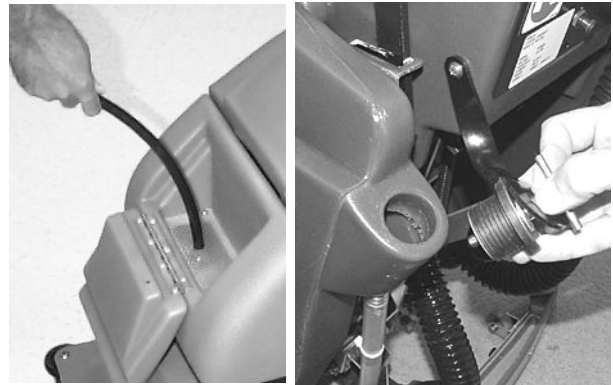


FIG. 8

NOTE: If filling with a bucket be certain that bucket is clean. This will prevent the chance of clogging the solution lines.

4. Add cleaning detergent according to mixing instructions on bottle.

FOR SAFETY: When using machine, follow mixing and handling instructions on chemical containers.

ATTENTION: Use only recommended cleaning detergents, DO NOT use substitutes. Consult an authorized distributor for cleaning detergent recommendations.

CONNECTING POWER CORD

1. Connect 23M (75 ft) extension cord to machine's pigtail cord.
2. Plug extension cord into a grounded wall outlet (Figure 9)

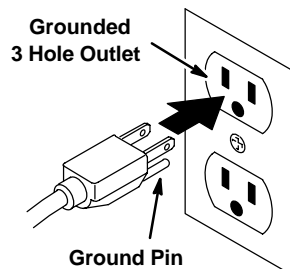


FIG. 9

FOR SAFETY: Do not operate machine with the use of additional extension cords. Only use manufacturer's extension cord equipped with machine which has proper capacity and is grounded.

MACHINE OPERATION

PRE-OPERATION CHECKS

1. Sweep and dust mop floor.
2. Inspect power cord for damage, replace immediately if damaged.
3. Check that a pad/brush is installed.
4. Check that squeegee is installed.

FOR SAFETY: Do not operate machine unless operator manual is read and understood.

1. Adjust control grips to a comfortable operating height (*three settings*). Squeeze together two levers under console to raise or lower control grips (Figure 10).



FIG. 10

2. Lower squeegee by releasing squeegee lift lever from the lock position (Figure 11).



FIG. 11

3. Lower brush head, step down firmly on top brush lift pedal and push pedal forward to lower (Figure 12).



FIG. 12

4. Turn vacuum switch to the on position.
5. Push solution flow lever forward to desired flow rate. Solution will immediately begin to flow once lever is activated (Figure 13).



FIG. 13

To adjust the maximum solution flow rate, turn solution flow adjustment knob down to increase or up to decrease (Figure 14).

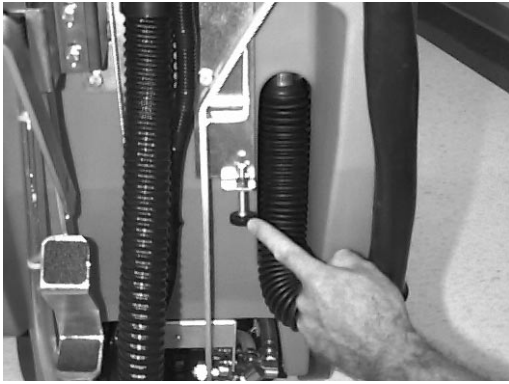


FIG. 14

6. Turn brush switch to the on position.

ATTENTION: To prevent floor finish damage, DO NOT leave machine at stand still once brush begins to spin.

7. Begin scrubbing by pushing machine forward.

WHILE OPERATING MACHINE

⚠ WARNING: Flammable materials or reactive metals can cause explosion or fire. Do not pick up.

1. Periodically check for excessive foam in recovery tank (look through clear lid). If excessive foam appears, pour a foam control solution into the recovery tank.

ATTENTION: Do not allow foam or water to enter the float shut-off screen, vacuum motor damage will result. Foam will not activate float shut-off screen.

2. If more scrubbing pressure is needed for small heavily soiled areas, simply pull brush lift lever upward while operating (Figure 15).

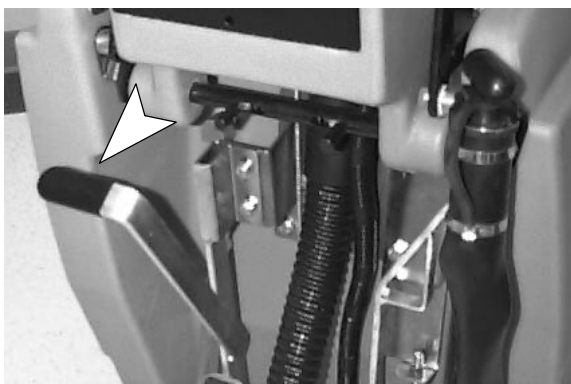


FIG. 15

3. If squeegee leaves streaks, raise squeegee and wipe both blades with a cloth.
4. Before stopping or turning machine around, pull back on solution control lever to shut off solution flow.
5. View clear tube at rear of machine for remaining cleaning solution.
6. When the solution tank runs dry, turn off brush switch, shut off solution control lever and continue to vacuum until all dirty water is consumed into the recovery tank. Raise the squeegee and brush head and drain recovery tank (See DRAINING TANKS).

BRUSH MOTOR CIRCUIT BREAKER

Machine is equipped with a circuit breaker to protect brush motor from damage. If the brush motor circuit breaker trips, it can not be reset immediately. Determine reason why breaker tripped, allow motor to cool and then reset. Circuit breaker will trip due to brush motor overload. Clean or change pad if breaker should trip. Brush motor circuit breaker button is located at rear of control console.

DRAINING TANKS

1. Turn machine off and unplug cord from wall outlet.

FOR SAFETY: Before leaving or servicing machine, stop on level surface, turn off machine and unplug cord from wall outlet.

2. Raise squeegee and brush head and transport machine to floor drain.

NOTE: If using bucket to drain machine, do not use same bucket for filling solution tank.

DRAINING RECOVERY TANK

When finished scrubbing or when refilling solution tank, recovery tank should be drained and cleaned.

ATTENTION: If recovery tank is not drained before refilling, foam or water may enter the float shut-off screen and damage vacuum motor. Foam will not activate float shut-off screen.

1. Remove drain hose from holder, position hose over floor drain and twist off drain hose plug. To completely drain recovery tank, hinge open tank and flip up tank support stand to rest tank on (Figure 16).



FIG. 16

2. Clean recovery tank after each use. Use a hose to rinse out recovery tank. Be careful not to spray water into float shut-off screen.
3. Replace drain hose plug tightly after draining.

DRAINING SOLUTION TANK

To drain leftover cleaning solution from solution tank perform the following steps:

1. Pull clear tube off hose barb at rear of machine and drain solution into floor drain or bucket (Figure 17).

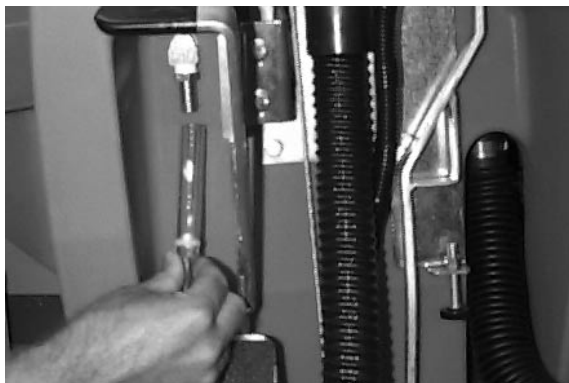


FIG. 17

2. Rinse solution tank with clean water after each use. This will prevent clogging due to chemical buildup.
3. Push solution flow lever forward to rinse out solution flow system.
4. Reconnect clear tube. Be certain tube is completely pushed on hose barb.

MACHINE MAINTENANCE

To keep machine in good working condition, simply follow machines daily and monthly maintenance procedures.

⚠ WARNING: Hazardous Voltage. Shock or electrocution can result. Unplug machine before servicing.

ATTENTION: Contact an Authorized Service Center for machine repairs. Machine repairs performed by other than an authorized person will void your warranty.

DAILY MAINTENANCE (Every 4 Hours of Use)

1. Inspect power cord and cord grip for damage. Replace immediately if damaged. Always coil extension cord neatly after each use.
2. Remove and clean pad/brush.
3. Remove and clean float shut-off screen located in recovery tank (Figure 18).



FIG. 18

4. Drain and rinse tanks thoroughly. After draining tanks, hinge recovery tank until you can see vacuum intake hole at rear of tank. Remove any debris in hole if necessary.
5. Raise squeegee and wipe it down with a dry cloth. Store squeegee in the up position to prevent squeegee damage.
6. Clean machine with an all purpose cleaner and damp cloth.

OPERATION

MONTHLY MAINTENANCE (Every 80 Hours of Use)

1. Flush solution system. Pour 11.3 liters (3 gal) of hot water, 60°C (140°F) maximum temperature, into solution tank. Add an alkaline detergent according to mixing instructions. Over a floor drain, operate machine for 30 seconds. Turn machine off and leave overnight. Next day, disperse solution and rinse solution system.

FOR SAFETY: When using machine, follow mixing and handling instructions on chemical containers.

2. Lubricate all linkage pivot points with silicon spray then coat with a water resistant grease to maintain a smooth operation.
3. Check machine for water leaks and loose nuts and bolts.

QUARTERLY MAINTENANCE (Every 250 Hours of Use)

Check vacuum and brush motor for carbon brush wear, replace brushes when worn to a length of 10mm (0.38 in) or less.

Contact an Authorized Service Center for motor maintenance.

TRANSPORTING MACHINE

When transporting machine by use of trailer or truck, be certain to follow tie-down procedures below:

FOR SAFETY: When using machine, go slow on inclines and slippery surfaces.

1. Remove squeegee from machine and raise scrub head. Leave pad or brush installed.
2. Load machine using a recommended loading ramp.
3. Position front of machine up against front of trailer of truck. Once machine is positioned, lower brush head.
4. Place a block behind the drive wheel and the rear casters.
5. Place tie-down straps over top of machine and secure straps to floor. It may be necessary to install tie-down brackets to the floor of your trailer or truck.

STORING MACHINE


Store machine in a dry area in the upright position. Before storing machine be certain to flush tanks and drain machine of all water. Remove recovery tank lid to promote air circulation. Raise pad driver and squeegee off floor to prevent damage.

ATTENTION If storing machine in freezing temperatures, be certain to drain machine of all water. Damage due to freezing temperatures is not covered by warranty.

ATTENTION: Do not expose machine to rain; store indoors.

RECOMMENDED STOCK ITEMS

Refer to Parts List section for recommended stock items. Stock Items are clearly identified with a bullet preceding the parts description. See example below:



Ref.	Part No.	Description	Qty.
1	701103	ASM., STANDPIPE	1
2	180613	● FLOAT, SHUTOFF	1
3	230187	NIPPLE	1
4	101714	● GASKET	1
5	210240	NUT, FLANGED	1

TROUBLE SHOOTING

PROBLEM	CAUSE	SOLUTION
No power.	Tripped building circuit breaker.	Reset breaker.
	Faulty extension cord.	Replace extension cord.
	Faulty pigtail cord.	Contact Service Center.
Brush motor does not operate.	Faulty brush switch.	Contact Service Center.
	Machine circuit breaker has tripped.	Clean or replace pad or brush and reset breaker button.
	Rectifier has burned out.	Contact Service Center.
	Faulty wiring.	Contact Service Center.
	Faulty brush motor.	Contact Service Center.
	Carbon brushes worn.	Contact Service Center.
Vacuum motor does not operate.	Faulty vacuum switch or wiring.	Contact Service Center.
	Faulty vacuum motor.	Contact Service Center.
	Carbon brushes worn.	Contact Service Center.
Little or no solution flow.	Solution flow lever is not activated.	Push solution flow lever forward.
	Solution line is clogged.	Remove hose and blow compressed air through it.
	Solution valve is clogged.	Remove valve and clean. Do not scratch or damage inside of valve.
	Solution flow adjustment knob needs adjusting.	Adjust solution flow knob to increase solution flow. Turn knob down to increase flow.
Poor water pick up.	Recovery tank is full.	Empty recovery tank.
	Ball float shutoff screen inside recovery tank is clogged.	Remove screen and clean.
	Squeegee is clogged with debris.	Clean squeegee.
	Squeegee blades are worn.	Replace squeegee blades.
	Squeegee thumbscrews are loose.	Tighten thumbscrews.
	Vacuum hose connections are loose or hose has a hole.	Push vacuum hose cuffs firmly on connections. Replace hose if damaged.
	Vacuum hose is clogged with debris.	Remove clogged debris.
	Tank gasket is defective.	Replace tank gasket.
	Recovery tank water inlet is plugged. Inlet is located at bottom of recovery tank.	Empty recovery tank and tilt it sideways to locate inlet hole, remove clogged debris.
	Drain hose plug is loose.	Tighten drain plug.
	Clear recovery tank lid is loose.	Tighten lid.
	Vacuum motor is loose.	Tighten down vacuum motor. Do not over tighten and damage motor.
Safety lights do not work.	Flasher is burned out.	Contact Service Center.

OPERATION

SPECIFICATIONS

Model	Speed Scrub™ 2001
LENGTH	1194 mm (47 in)
WIDTH	559 mm (22 in)
HEIGHT	965 mm (38 in)
WEIGHT	85 Kg (185 lb)
SOLUTION TANK CAPACITY	38 L (10 gal)
RECOVERY TANK CAPACITY	45 L (12 gal)
CLEANING PATH WIDTH	508 mm (20 in)
BRUSH MOTOR	.75hp, 220 rpm, 120v, 6.5A, 560w
VACUUM MOTOR	1.25hp, 2 stage, 120v, 919w, 7.5A
WATER LIFT	2083 mm (82 in)
POWER CORD LENGTH	14/3, 23m (75 ft)
DECIBEL RATING AT OPERATOR'S EAR, INDOORS ON TILE	70dB(A)

Este manual acompaña a todos los modelos estándar nuevos. En él se indican las instrucciones necesarias para la utilización y el mantenimiento de la máquina.

Lea el manual entero para comprender el funcionamiento de la máquina antes de utilizarla o revisarla.

Esta máquina le proporcionará un servicio excelente. Sin embargo, obtendrá los mejores resultados al coste mínimo si:

- Utiliza la máquina con un cuidado razonable.
- Revisa la máquina periódicamente - según las instrucciones de mantenimiento adjuntas.
- La máquina recibe mantenimiento con las piezas de repuesto del fabricante o equivalentes.

DATOS DE LA MÁQUINA

Sírvase llenar los datos en el momento de la preparación para referencia en el futuro.

Modelo No.: _____

Fecha de preparación: _____

No. de serie: _____


ÍNDICE

MEDIDAS DE SEGURIDAD	14	TRANSPORTE DE LA MÁQUINA	22
INSTRUCCIONES PARA LA CONEXIÓN A		ALMACENAMIENTO DE LA MÁQUINA	22
TIERRA	15	RECOMENDACIONES PARA EL	
COMPONENTES DE LA MÁQUINA	15	ALMACENAMIENTO	22
INSTALACIÓN DE LA MÁQUINA	16	LOCALIZACIÓN DE AVERÍAS	23
DESEMBALADO DE LA MÁQUINA	16	ESPECIFICACIONES	25
LLENAR EL TANQUE DE DESECHO	16	DIAGRAMAS ELECTRICAS	26
PREPARACIÓN DE LA MÁQUINA	16	LISTA DE PIEZAS	28
FIJACIÓN DE LA ESCOBILLA DE GOMA ..	16	CEPILLO DEL REEMPLAZO Y GRUPO DEL	
INSTALACIÓN DEL IMPULSOR DEL		MANDO DE LA ALMOHADILLA	28
CEPILLO O DE LA ALMOHADILLA	16	GRUPE DEL DEPÓSITO DE DISOLUCIÓN .	30
LLENADO DEL DEPÓSITO DE LA		CONJUNTO PANEL TRASERA	32
DISOLUCIÓN	17	CONJUNTO DESPÓSITO RECUPERAR ...	34
ENCHUFE EL CABLE EN LA TOMA DE LA		CONJUNTO CONSOLA DE CONTROLES ..	36
PARED	18	CONJUNTO DE PALANCAS	38
FUNCIONAMIENTO DE LA MÁQUINA	18	CONJUNTO PARA LEVANTAR CEPILLO ...	40
COMPROBACIONES PREVIAS A LA PUESTA		CONJUNTO IMPULSO DE CEPILLO	42
EN FUNCIONAMIENTO	18	CONJUNTO JUEGO	44
DURANTE LA UTILIZACIÓN DE LA		CONJUNTO PALETA ENCORUADO	46
MÁQUINA	19	OPCIONES	48
CORTACIRCUITOS DEL MOTOR DE LA		GROUPE D'ASPIRATION ET RACLETTE À	
ALMOHADILLA	20	MAIN	48
VACIADO DE LOS DEPÓSITOS	20	KIT DEL PESO DEL CEPILLO	49
VACIADO DEL DEPÓSITO DE			
RECUPERACIÓN	20		
VACIADO DEL DEPÓSITO DE LA			
DISOLUCIÓN	21		
MANTENIMIENTO DE LA MÁQUINA	21		
MANTENIMIENTO DIARIO	21		
MANTENIMIENTO MENSUAL	21		
MANTENIMIENTO TRIMESTRAL	22		

MEDIDAS DE SEGURIDAD

Esta máquina está destinada al uso comercial. Está diseñada para fregar suelos en recintos cerrados y no debe utilizarse para ningún otro uso. Utilice únicamente los cepillos, almohadillas y detergentes recomendados.

En este manual se utilizan los siguientes símbolos de peligro, cuyo significado se indica a continuación:

 **ADVERTENCIA:** Para advertir sobre riesgos o hábitos peligrosos que podrían causar lesiones corporales graves o fatales.

PARA SU SEGURIDAD: Para indicar las operaciones que deben realizarse para una utilización segura del equipo.

La siguiente información indica las condiciones potencialmente peligrosas para el operario o equipo:

PARA SU SEGURIDAD:

1. No utilice la máquina:

- Salvo que esté adecuadamente cualificado y autorizado.
- Salvo que haya leído y comprendido el manual del operario
- En áreas donde exista material inflamable o explosivo salvo que esté especialmente diseñada para utilizarla en estas zonas.
- Con el cable eléctrico o enchufe en malas condiciones.
- Si la máquina no funciona correctamente.
- Al aire libre
- Cuando haya agua en el suelo.
- Si la toma de tierra del cable eléctrico no funciona correctamente.
- Con un alargador

2. Antes de utilizar la máquina:

- Asegúrese de que todos los dispositivos de seguridad se encuentran en su sitio y funcionan correctamente.

3. Al utilizar la máquina:

- No permita que la máquina pase por encima del cable eléctrico.
- No mueva la máquina tirando del cable eléctrico o del enchufe.
- No tire del cable eléctrico cuando se encuentre contra aristas o esquinas.


- No desenchufe la máquina tirando del cable eléctrico.
- No intente estirar demasiado el cable eléctrico.
- No toque el enchufe con las manos húmedas.
- Mantenga el cable eléctrico alejado de superficies calientes.
- Conduzca despacio en pendientes y superficies resbaladizas.
- Conduzca con cuidado al desplazarse marcha atrás.
- Cumpla siempre las normas de tráfico y seguridad.
- Informe inmediatamente si la máquina presenta averías o funciona incorrectamente.
- No lleve pasajeros en la máquina.
- Siga las instrucciones de manipulación y mezcla indicadas en los envases de los productos químicos.


4. Antes de estacionar o revisar la máquina:


- Deténgase en una superficie plana.
- Apague la máquina.
- Desconecte el cable eléctrico del enchufe de la pared.

5. Al revisar la máquina:

- Desconecte el cable eléctrico del enchufe de la pared.
- Evite las partes en movimiento. No lleve chaquetas, camisas o mangas sueltas.
- Calce las ruedas de la máquina antes de levantarla con un gato.
- Utilice un gato o elevador con capacidad suficiente para elevar la máquina.
- Utilice piezas de recambio suministradas o aprobadas por el fabricante.

 **ADVERTENCIA:** Alta tensión. Existe riesgo de electrocución o descarga eléctrica. Desenchufe siempre la máquina antes de realizar cualquier revisión.

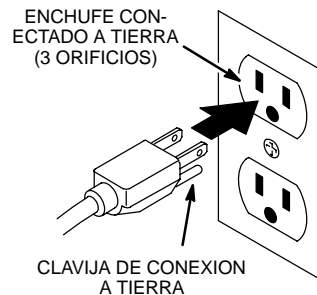
 **ADVERTENCIA:** Los materiales inflamables pueden provocar explosiones o incendios. No utilice materiales inflamables en los depósitos.

 **ADVERTENCIA:** Los materiales inflamables o metales reactivos puede provocar explosiones o incendios. No los recoja.

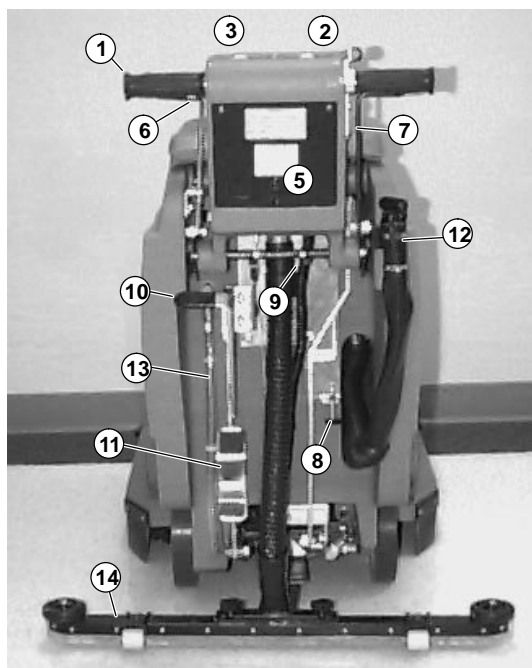
INSTRUCCIONES PARA LA CONEXIÓN A TIERRA

La máquina debe estar conectada a tierra. Esta toma de tierra proporciona el camino con la menor resistencia a la corriente eléctrica para reducir el riesgo de descarga eléctrica en caso de funcionamiento incorrecto o avería. El enchufe con toma de tierra de la máquina debe estar conectado a un enchufe que haya sido instalado correctamente y de acuerdo con los códigos y

regulaciones locales. En el caso de que el cable eléctrico esté dañado, se debe reemplazar por personal autorizado para evitar peligro.



COMPONENTES DE LA MÁQUINA



1. Mandos de control
2. Interruptor de Encendido/Apagado (ON/OFF) de la aspiración
3. Interruptor de Encendido/Apagado (ON/OFF) del cepillo
4. Rodillos de pared
5. Cortacircuitos del cepillo.
6. Palanca de elevación de la escobilla de goma
7. Palanca del flujo de la disolución
8. Botón de ajuste del flujo de la disolución
9. Palancas de ajuste de la consola de control
10. Palanca de elevación del cepillo
11. Pedal de elevación del cepillo

12. Manguera de vaciado del depósito de recuperación
13. Manguera de vaciado del depósito de recuperación con indicación en galones.
14. Conjunto de la escobilla de goma
15. Consola de control
16. Depósito de recuperación
17. Tapa del depósito de recuperación
18. Puerta de relleno de la disolución
19. Luces de seguridad
20. Rueda de tracción trasera
21. Cabezal de fregado
22. Aleta del cabezal de fregado

OPERACIÓN

INSTALACIÓN DE LA MÁQUINA

DESEMBALADO DE LA MÁQUINA

Compruebe cuidadosamente si la caja de cartón muestra daños. En caso de que así sea informe inmediatamente de los daños al transportista. Controle el contenido de la caja para asegurarse que incluye todos los accesorios. La escobilla de goma está embalada con la máquina. Los impulsores de las almohadillas están embalados aparte.

Para desembalar la máquina retire las cintas y eleve el cabezal de barrido. Para elevar este cabezal pise firmemente sobre la parte inferior del pedal de elevación del cepillo hasta que dicho pedal quede bloqueado en la posición elevada. Levante la máquina con cuidado o utilice una rampa formada con las planchas de embalaje para retirar la máquina del pallet.

ATENCIÓN: No ruede equipo de pallet. Puede danarse.

LLENAR EL TANQUE DE DESECHO

Después de retirar la máquina del pallet. Abra el depósito de recuperación y llene el tanque de desecho con agua limpia. Cierre de nuevo el tapón después de llenar (Figura 1). *(Las máquinas vendidas en Canadá requieren herramienta para remover tanque de desecho).*



FIG. 1

PREPARACIÓN DE LA MÁQUINA

FIJACIÓN DE LA ESCOBILLA DE GOMA

1. Empuje hacia atrás la palanca de elevación de la escobilla de goma para elevar el soporte de la escobilla de goma.
2. Afloje los dos tornillos de orejas de la escobilla de goma e introduzca dicha escobilla deslizándola en las ranuras de la parte posterior del soporte de la escobilla de goma. Asegúrese de que las ruedas del rodillo de la escobilla de goma se encuentran hacia atrás (Figura 2).

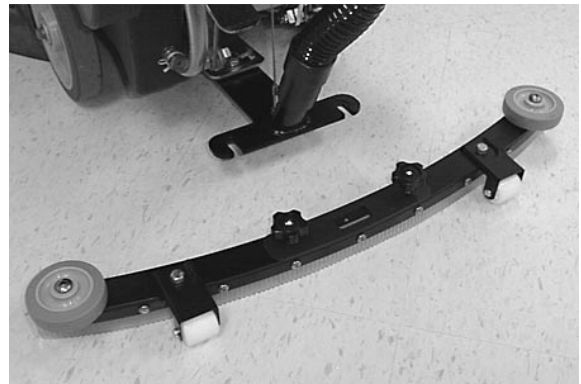


FIG. 2

3. Fije los tornillos de orejas.

INSTALACIÓN DEL IMPULSOR DEL CEPILLO O DE LA ALMOHADILLA

1. Apague todos los interruptores y desenchufe el cable eléctrico.

PARA SU SEGURIDAD: Al abandonar o revisar la máquina, deténgase en una superficie plana, apague la máquina.

2. Baje el cabezal del cepillo, pise con fuerza la parte superior del pedal y empuje dicho pedal hacia delante (Figura 3).



FIG. 3

3. Coloque el mecanismo de nivelación de la escobilla de goma de manera que se encuentre centrado por la parte trasera de la máquina.
4. Levante la máquina sobre la escobilla de goma de manera que se pueda acceder al cubo del motor para instalar el impulsor de cepillo/de la almohadilla.
5. Seleccione el cepillo o la escobilla recomendado que mejor se ajuste a sus necesidades.

NOTA: Consulte a su distribuidor autorizado para la elección del cepillo o de la almohadilla adecuados para su caso específico.

6. **(Instalación de la almohadilla)** Fije la almohadilla al impulsor de la almohadilla. Sujete la almohadilla antes de instalar el impulsor de dicha almohadilla en el cubo del motor. Retire el cierre central de plástico del impulsor de la almohadilla. Coloque la almohadilla en el centro del impulsor de la almohadilla y vuelva a colocar y fijar el cierre central (Figura 4).



FIG. 4

7. Conecte el impulsor del cepillo o de la almohadilla al cubo del motor. Alinee los tres pernos de montaje con las ranuras del cubo del motor. Gire rápidamente el impulsor hacia el sujetador de resorte del cubo del motor. Asegúrese de que el impulsor de la almohadilla está bien sujeto y que el sujetador de resorte se introduzca en uno de los pernos del impulsor antes de poner la máquina en funcionamiento (Figura 5).

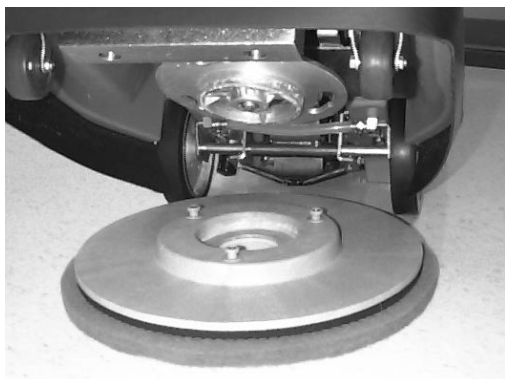


FIG. 5

8. Elevación del cabezal de barrido: Pise firmemente la parte inferior del pedal de elevación del cepillo hasta que el cepillo quede bloqueado en la posición elevada (Figura 6).



FIG. 6

LLENADO DEL DEPÓSITO DE LA DISOLUCIÓN

1. Empuje o dirija la máquina a la estación de llenado. Levante la escobilla de goma y el cepillo durante el transporte.
2. Cierre del flujo de la disolución: Tire hacia atrás de la palanca del flujo de la disolución (Figura 7).



FIG. 7

3. Abra la puerta de llenado de la disolución que se encuentra en la parte delantera de la máquina y llene el depósito de la disolución con 10 galones (38 litros) de agua limpia (temperatura máxima de 140°F/60°C). O utilice el orificio de llenado trasero para llenar el depósito de la disolución. El tubo transparente que se encuentra debajo del orificio de llenado tiene unas marcas cada 5 galones (19 litros) que indican el volumen de agua del depósito (Figura 8).

⚠ ADVERTENCIA: Los materiales inflamables pueden provocar explosiones o incendios. No utilice materiales inflamables en los depósitos.

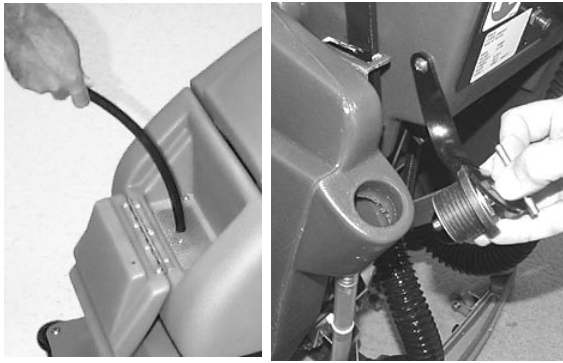


FIG. 8

NOTA: Si utiliza un cubo para llenar el depósito, asegúrese de que dicho cubo esté limpio para evitar que se obstruyan las tuberías de la disolución.

4. Añada la cantidad de limpiador químico indicada en la botella para obtener la disolución correcta.

ATENCIÓN: Utilice únicamente productos de limpieza recomendados, NO utilice sustitutos. Consulte a un distribuidor autorizado acerca de los productos recomendados.

ENCHUFE EL CABLE EN LA TOMA DE LA PARED

Conecte el cable de extensión de 23 m (75 pies) a un tomacorriente con conexión a tierra (Figura 9).

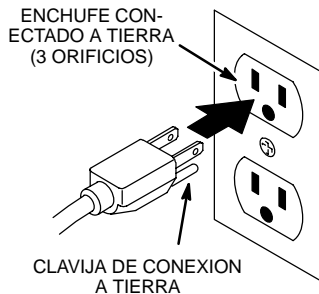


FIG. 9

PARA PROTECCION: No opere la máquina usando cordones de extensión adicionales. Use sólo el cordón de extensión del fabricante equipado con la máquina que tenga una capacidad apropiada y esté conectado a tierra.

FUNCIONAMIENTO DE LA MÁQUINA

COMPROBACIONES PREVIAS A LA PUESTA EN FUNCIONAMIENTO

1. Barra el suelo para eliminar partículas y otros restos.
2. Controle si el cable eléctrico está deteriorado. Sustitúyalo inmediatamente si lo está.
3. Controle que están instalados los cepillos o almohadillas.
4. Controle que está instalada la escobilla de goma.

PARA PROTECCION: No opere la máquina a menos que haya leído y entendido el manual del operador.

1. Ajuste los mandos de control a una altura de manejo cómoda (tres ajustes posibles). Presione las dos palancas que se encuentran bajo la consola para elevar o bajar los mandos de control (Figura 10).



FIG. 10

2. Baje la escobilla de goma liberando palanca de elevación de la escobilla de goma de su posición de bloqueo (Figura 11).



FIG. 11

3. Bajada del cabezal de barrido: Pise con fuerza la parte superior del pedal de elevación del cepillo y empuje dicho pedal hacia delante para liberarlo (Figura 12).



FIG. 12

4. Coloque el interruptor de aspiración en la posición de encendido (ON).
5. Empuje la palanca del flujo de la disolución ligeramente hacia delante para activar el paso de la disolución. Cuanto más empuje dicha palanca hacia delante mayor será el flujo de disolución. Empuje la palanca completamente para que el flujo sea máximo. La disolución empezará a fluir inmediatamente después de activar la palanca (Figura 13).



FIG. 13

Para aumentar o disminuir el flujo máximo de la disolución gire el botón de ajuste del flujo de la disolución. Gire el botón hacia abajo para incrementar el flujo y hacia arriba para reducirlo (Figura 14).

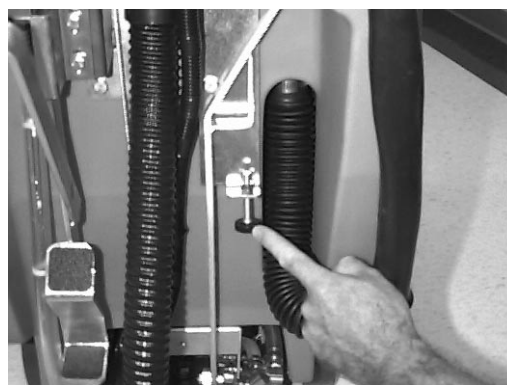


FIG. 14

6. Coloque el interruptor de barrido en la posición de encendido (ON).

ATENCIÓN: Para evitar el deterioro del acabado del suelo **NO** deje la máquina parada cuando los cepillos empiecen a girar.

7. Comience la operación de fregado empujando la máquina hacia delante.

DURANTE LA UTILIZACIÓN DE LA MÁQUINA

⚠ ADVERTENCIA: Los materiales inflamables o metales reactivos pueden causar una explosión o incendio. No aspire.

1. Compruebe periódicamente que no exista acumulación de espuma en el depósito de recuperación (mire a través de la tapa transparente). Si la acumulación de espuma empieza a ser excesiva, añada un producto desespumante al contenido del depósito de recuperación.

ATENCIÓN: No permita que el agua o la espuma se introduzcan en el tubo vertical de aspiración porque podría averiar el motor de aspiración. El flotador de cierre no evitará la entrada de espuma en el tubo vertical de aspiración. La garantía no cubre la avería de la aspiración causada por la entrada de agua o espuma.

2. Cuando sea necesaria una mayor presión de fregado para limpiar pequeñas áreas muy sucias, bastará tirar hacia arriba de la palanca de elevación del cepillo (Figura 15).

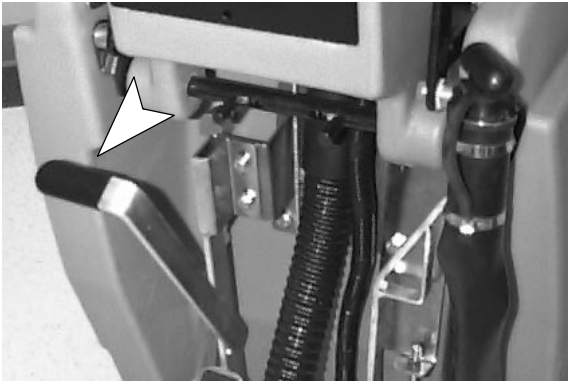


FIG. 15

3. Si la escobilla de goma deja marcas, eleve la escobilla de goma y limpie las láminas con un paño.
4. Antes de detener o girar la máquina, tire hacia atrás de la palanca de control de la disolución para detener el paso de disolución.
5. Controle a través del tubo indicador transparente la disolución que queda en el depósito de la disolución.
6. Cuando se vacíe el depósito de la disolución, coloque el interruptor del cepillo en la posición de apagado (OFF), cierre el flujo de la disolución mediante la palanca del flujo de la disolución y continúe aspirando hasta que todo el agua sucia se introduzca en el depósito de recuperación. Levante la escobilla de goma y el cabezal de barrido y vacíe el depósito de recuperación (Consulte el apartado de VACIADO DE LOS DEPÓSITOS).

CORTACIRCUITOS DEL MOTOR DE LA ALMOHADILLA

La máquina está provista de un cortacircuitos para proteger el motor de la almohadilla. Cuando el cortacircuitos del motor de la almohadilla se activa, no puede reajustarse inmediatamente. Determine la causa de la activación del cortacircuitos, deje que el motor se enfríe y a continuación reajuste el cortacircuitos. El cortacircuitos se activará cuando exista una sobrecarga excesiva de la almohadilla. Limpie o sustituya la almohadilla en caso de activación del cortacircuitos. El botón del cortacircuitos del motor de la almohadilla se encuentra en la parte posterior de la consola de control.

VACIADO DE LOS DEPÓSITOS

1. Apague la máquina y desenchufe el cable eléctrico.

PARA SU SEGURIDAD: Al abandonar o revisar la máquina, deténgase en una superficie plana, apague la máquina.

2. Levante la escobilla de goma y el cabezal de barrido y dirija la máquina a desagüe más cercano del suelo.

NOTA: Si utiliza un cubo para vaciar la máquina, no utilice el mismo cubo para llenar el depósito de la disolución.

VACIADO DEL DEPÓSITO DE RECUPERACIÓN

El depósito de recuperación debe vaciarse antes de rellenar el depósito de la disolución. Para vaciar el depósito de recuperación realice los siguientes pasos:

ATENCIÓN: Si el depósito de recuperación no se vacía entre las diferentes operaciones de llenado, puede introducirse espuma y agua en al tubo vertical de aspiración y averiar el motor de aspiración. La garantía no cubre las averías del motor de aspiración causadas por la introducción de agua o espuma.

1. Retire la manguera de vaciado de su soporte, coloque la manguera en el desagüe del suelo y desenrosque el tapón de la manguera de vaciado. Para vaciar completamente el depósito de recuperación, desplace dicho depósito lateralmente girándolo sobre la bisagra, monte el soporte del depósito y coloque el depósito sobre dicho soporte (Figura 16).



FIG. 16

2. Aclare el depósito de recuperación después de cada uso. Esto evitará malos olores. Destornille la tapa transparente del depósito de recuperación. Utilice una manguera para aclarar el depósito de recuperación. Tenga cuidado de no introducir agua en el flotador de cierre.

3. Cierre de nuevo el tapón de la manguera de vaciado cuando el depósito esté vacío.

VACIADO DEL DEPÓSITO DE LA DISOLUCIÓN

Para vaciar los restos de disolución del depósito de la disolución haga lo siguiente:

1. Extraiga la lengüeta de manguera marcadora transparente de la parte posterior de la máquina tirando de ella y vacíe la disolución limpiadora en el desagüe o en un cubo (Figura 17).



FIG. 17

2. Aclare el depósito de la disolución con agua limpia después de cada uso. Esto evitará obstrucciones debidas a la acumulación de productos químicos. Utilice la manguera transparente para vaciar el agua limpia.
3. Empuje la palanca del flujo de la disolución hacia delante para aclarar el sistema de flujo de la disolución.
4. Conecte de nuevo la manguera transparente a la lengüeta de la manguera. Asegúrese de que la manguera está bien introducida en la lengüeta de la manguera.

MANTENIMIENTO DE LA MÁQUINA

Para mantener la máquina en buenas condiciones, bastará realizar diaria, semanal y mensualmente las operaciones de mantenimiento.

PARA SU SEGURIDAD: Al revisar la máquina, deténgala en una superficie horizontal, apague la máquina y desconecte el cable eléctrico del enchufe de la pared.

ATENCIÓN: Póngase en contacto con un Centro de Servicio autorizado para reparar las máquinas. Las reparaciones de máquinas realizadas por personas no autorizadas invalidarán la garantía.

MANTENIMIENTO DIARIO

1. Retire y limpie el cepillo o la almohadilla. No utilice nunca almohadillas sucias durante las operaciones de limpieza.
2. Retire y limpie la suciedad y las pelusas del filtro del flotador situado en el depósito de recuperación (Figura 18).



FIG. 18

3. Vacíe y limpie los depósitos en profundidad. Después de aclarar los depósitos, desplace lateralmente el depósito de recuperación sobre su bisagra hasta poder ver el orificio de entrada de la aspiración situado en la parte posterior del depósito. En caso necesario retire los restos que puedan bloquear dicho orificio.
4. Levante la escobilla de goma y límpiela con un paño seco. Guarde la escobilla de goma en la posición elevada para evitar que resulte dañada.
5. Limpie el cable con un paño húmedo después de cada uso. Controle si el cable eléctrico está deteriorado, sustitúyalo inmediatamente en caso de estar deteriorado o gastado.
6. Limpie el bastidor de la máquina con un limpiador no abrasivo que no contenga disolventes.

MANTENIMIENTO MENSUAL

1. Aclare los depósitos y el sistema de tuberías de la disolución. Haga una disolución con 946 ml de vinagre y 11,3 litros de agua. Aclare posteriormente con agua limpia.
2. Lubrique la conexión de los puntos pivotantes con un spray de silicona y cúbralo a continuación con una grasa impermeable para permitir un funcionamiento suave.
3. Controle que la máquina no presenta escapes de agua ni tornillos ni tuercas flojos.

OPERACIÓN

MANTENIMIENTO TRIMESTRAL

1. Controle el desgaste del cepillo de carbón del motor del cepillo. Sustituya los cepillos si están gastados.
2. Controle el desgaste del cepillo de carbón del motor de aspiración. Sustituya los cepillos cuando su longitud sea igual o inferior a 10 mm debido al desgaste.

TRANSPORTE DE LA MÁQUINA

Cuando transporte la máquina en un camión o remolque, asegúrese de seguir los pasos siguientes para sujetar la máquina:

PARA SU SEGURIDAD: Conduzca despacio cuando utilice la máquina en pendientes o superficies resbaladizas.

1. Retire la escobilla de goma de la máquina y levante el cabezal de fregado. Deje instalado el cepillo o la almohadilla.
2. Cargue la máquina utilizando la rampa de carga recomendada.
3. Coloque la parte delantera de la máquina contra la parte delantera del remolque o camión. Una vez colocada la máquina, baje el cabezal de barrido.
4. Coloque un calzo detrás de la rueda tractora y de las ruedecillas traseras.
5. Pase las cintas de sujeción por la parte superior de la máquina y sujételas al suelo. Puede ser necesario instalar varios soportes de sujeción en el suelo de su camión o remolque.

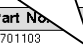
ALMACENAMIENTO DE LA MÁQUINA

Guarde la máquina en un sitio seco en posición vertical. Antes de guardar la máquina asegúrese de limpiar los depósitos y vaciar el agua de la máquina. Retire la tapa del depósito de recuperación para facilitar la circulación de aire. Levante el impulsor de la almohadilla y la escobilla de goma de manera que no toquen el suelo; esto evitará que se deterioren.

ATENCIÓN: Si guarda la máquina con temperaturas iguales o inferiores a 0°C, asegúrese de vaciar todo el agua de la misma. La garantía no cubre las averías causadas por heladas.

RECOMENDACIONES PARA EL ALMACENAMIENTO

Consulte la sección de Lista de Repuestos para ver que productos son los recomendados. Los elementos de almacén están claramente identificados con una marca colocada delante de la descripción de la pieza. Consulte el siguiente ejemplo:



Ref.	Part No.	Description	Qty.
1	701103	ASM.,STANDPIPE	1
2	180613	●FLOAT, SHUTOFF	1
3	230187	NIPPLE	1
4	101714	●GASKET	1
5	210240	NUT, FLANGED	1

LOCALIZACIÓN DE AVERÍAS

PROBLEMA	CAUSA	SOLUCIÓN
No hay alimentación, no funciona nada.	Máquina desenchufada.	Enchufar la máquina.
	Cortacircuitos del edificio activado.	Reajustar el cortacircuitos y cambiar a otro circuito diferente.
	Cable eléctrico defectuoso.	Contactar con el Servicio Técnico.
	Interruptor de la llave defectuoso.	Contactar con el Servicio Técnico.
El motor del cepillo no funciona.	Interruptor del cepillo defectuoso.	Contactar con el Servicio Técnico.
	Cortacircuitos de la máquina activado.	Limpiar o sustituir el cepillo o la almohadilla y reajustar el cortacircuitos.
	Rectificador fundido.	Contactar con el Servicio Técnico.
	Cableado defectuoso.	Contactar con el Servicio Técnico.
	Motor del cepillo defectuoso.	Contactar con el Servicio Técnico.
	Cepillos de carbón gastados.	Contactar con el Servicio Técnico.
El motor de aspiración no funciona.	Interruptor de aspiración o cableado defectuoso.	Contactar con el Servicio Técnico.
	Motor de aspiración defectuoso.	Contactar con el Servicio Técnico.
	Cepillos de carbón gastados.	Contactar con el Servicio Técnico.
Las luces de seguridad no funcionan.	Transformador defectuoso.	Contactar con el Servicio Técnico.
El flujo de la disolución es insuficiente o nulo.	La palanca del flujo de la disolución no ha sido activada	Empujar la palanca del flujo de la disolución hacia delante.
	Tubería de la disolución bloqueada.	Extraer la manguera y limpiarla con aire comprimido. Para evitar que se vuelva a bloquear aclarar el depósito de la disolución con agua limpia después de cada uso.
	Válvula de la disolución bloqueada.	Extraer la válvula y limpiarla. No raye ni dañe el interior de la válvula.
	Es necesario ajustar el botón de ajuste el flujo de la disolución.	Ajuste el botón del flujo de la disolución para incrementar dicho flujo. Gire el botón hacia abajo para aumentar el flujo.

OPERACIÓN

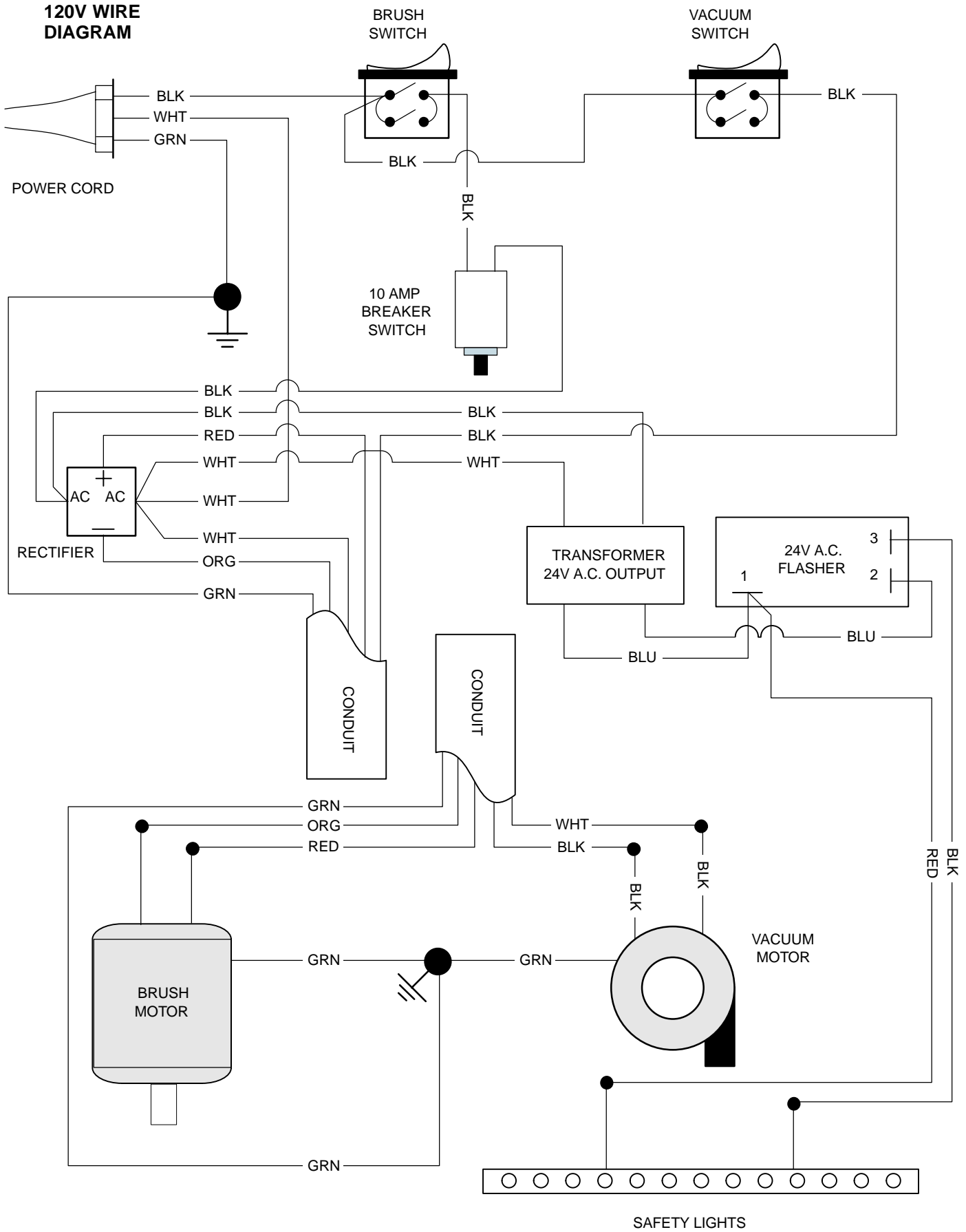
LOCALIZACIÓN DE AVERÍAS – continuación

PROBLEMA	CAUSA	SOLUCIÓN
Funcionamiento defectuoso de las escobilla de goma	Depósito de recuperación lleno.	Vaciar el depósito de recuperación.
	Filtro del flotador de cierre del depósito de recuperación obstruido.	Extraer el filtro y limpiarlo.
	Escobilla de goma bloqueada por restos.	Limpiar la escobilla de goma
	Láminas de la escobilla de goma gastadas.	Sustituir las láminas de la escobilla de goma.
	Tornillos de orejas de la escobilla de goma flojos.	Apretar los tornillos de orejas.
	Conexiones de la manguera de aspiración flojas u orificio en la manguera de aspiración.	Introducir bien la manguera de aspiración en sus conexiones. Sustituir la manguera si está dañada.
	Manguera de aspiración bloqueada por restos.	Retirar los restos que la bloquean.
	Junta del depósito defectuosa.	Sustituir la junta del depósito.
	Entrada al depósito de recuperación bloqueada. La entrada se encuentra en la parte inferior del depósito de recuperación.	Vaciar el depósito de recuperación y levantarlo lateralmente para localizar el orificio de entrada, retirar los restos que bloquean dicho orificio.
	Tapón de vaciado de la manguera mal cerrado.	Cerrar bien el tapón de vaciado.
	Tapa transparente del depósito de recuperación floja.	Cerrar bien la tapa.
Motor de aspiración flojo.	Fijar el motor de impulsión. No apretar demasiado porque podría dañar el motor.	

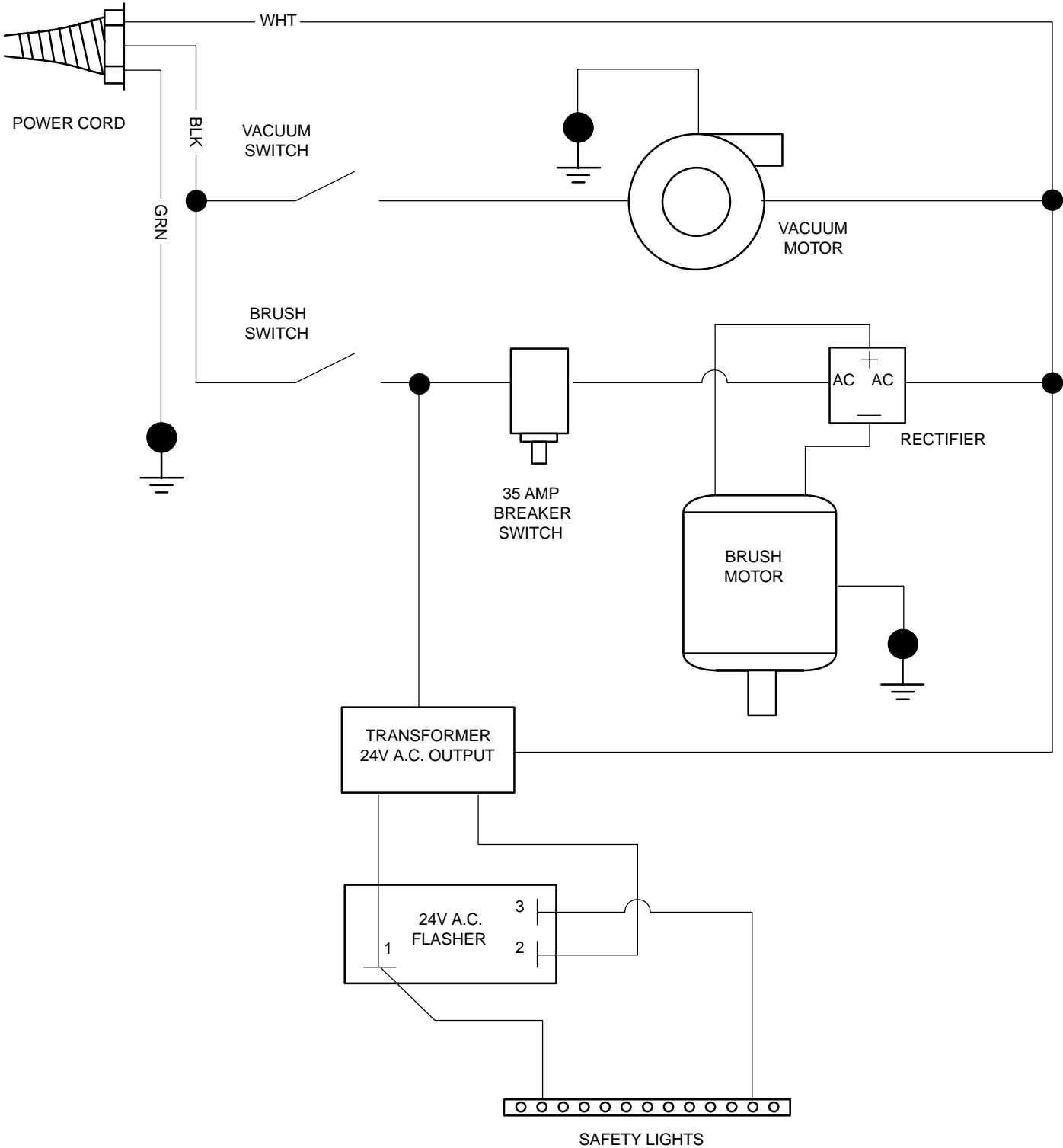
ESPECIFICACIONES

MODELO	Speed Scrub™ 2001
LONGITUD	1194 mm (47 in)
ANCHURA	559 mm (22 in)
ALTURA	965 mm (38 in)
PESO	85 Kg (185 lb)
CAPACIDAD DEL DEPÓSITO DE LA DISOLUCIÓN	38 L (10 gal)
CAPACIDAD DEL DEPÓSITO DE RECUPERACIÓN	45 L (12 gal)
ANCHURA DEL CARRIL DE LIMPIEZA	508 mm (20 in)
MOTOR DEL CEPILLO	.75hp, 220 rpm, 120v, 6.5A, 560w
VACUUM MOTOR	1.25hp, 2 stage, 120v, 919w, 7.5A
ELEVACIÓN DEL AGUA	2083 mm (82 in)
LONGITUD DEL CABLE ELÉCTRICO	14/3, 23m (75 ft)
RUIDO (EN DECIBELIOS) A LA ALTURA DEL OPERARIO EN UN RECINTO CERRADO CON SUELO DE BALDOSAS.	70dB(A)

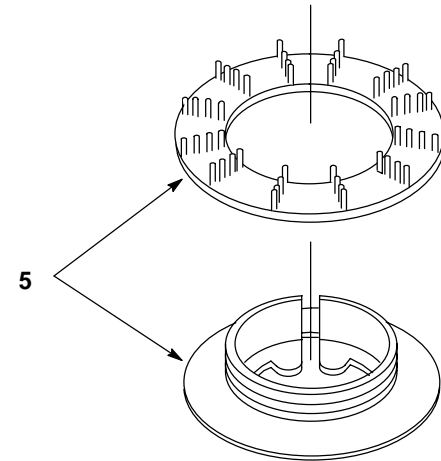
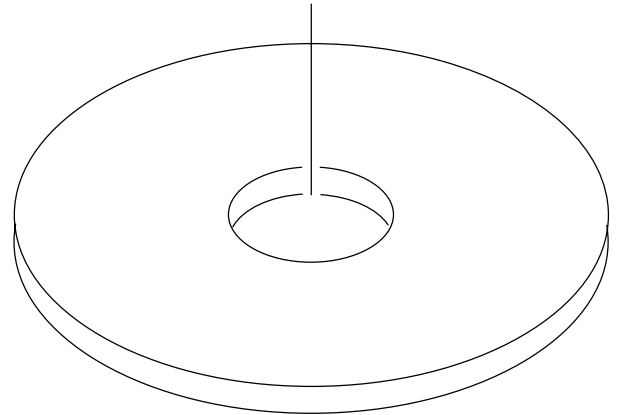
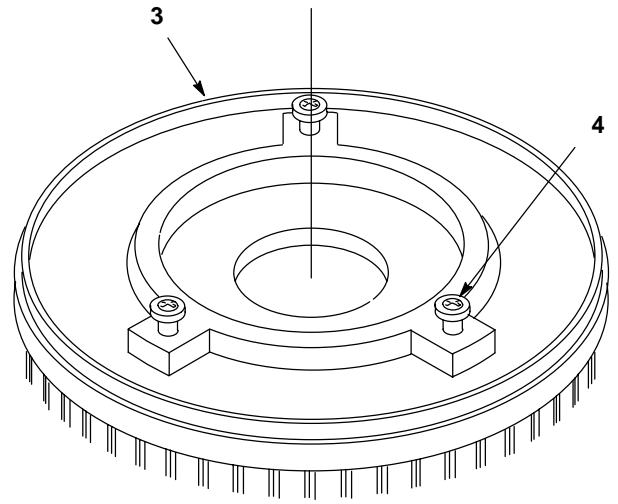
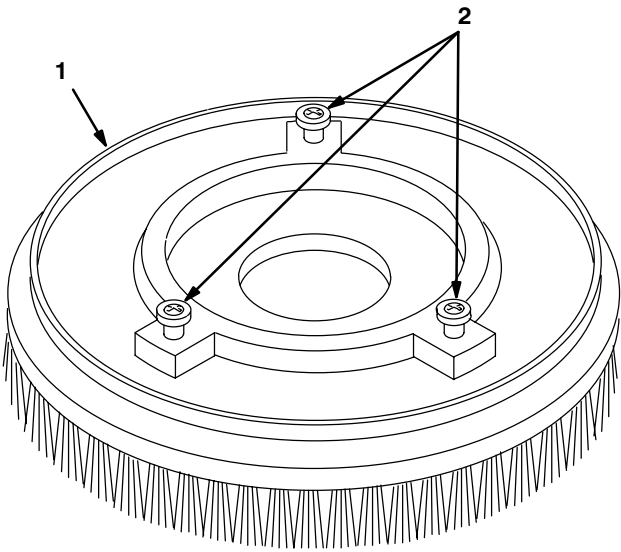
ELECTRICAL DIAGRAMS DIAGRAMAS ELECTRICAS



120V LADDER
DIAGRAM



REPLACEMENT BRUSHES AND PAD DRIVER GROUP
CEPILLO DEL REEMPLAZO Y GRUPO DEL MANDO DE LA ALMOHADILLA



REPLACEMENT BRUSHES AND PAD DRIVER GROUP
CEPILLO DEL REEMPLAZO Y GRUPO DEL MANDO DE LA ALMOHADILLA

REF	PART #	DESCRIPTION	QTY.
∇ 1	240250	●BRUSH, POLY-SCRUB	1
	240251	●BRUSH, DYNA-SCRUB	1
	240252	●BRUSH, NYLON SCRUB/STRIP	1
	240253	●BRUSH, STRATA SCRUB/STRIP	1
▲ 2	240238	●LUGS, W/ SCREWS (SET OF 3)	3

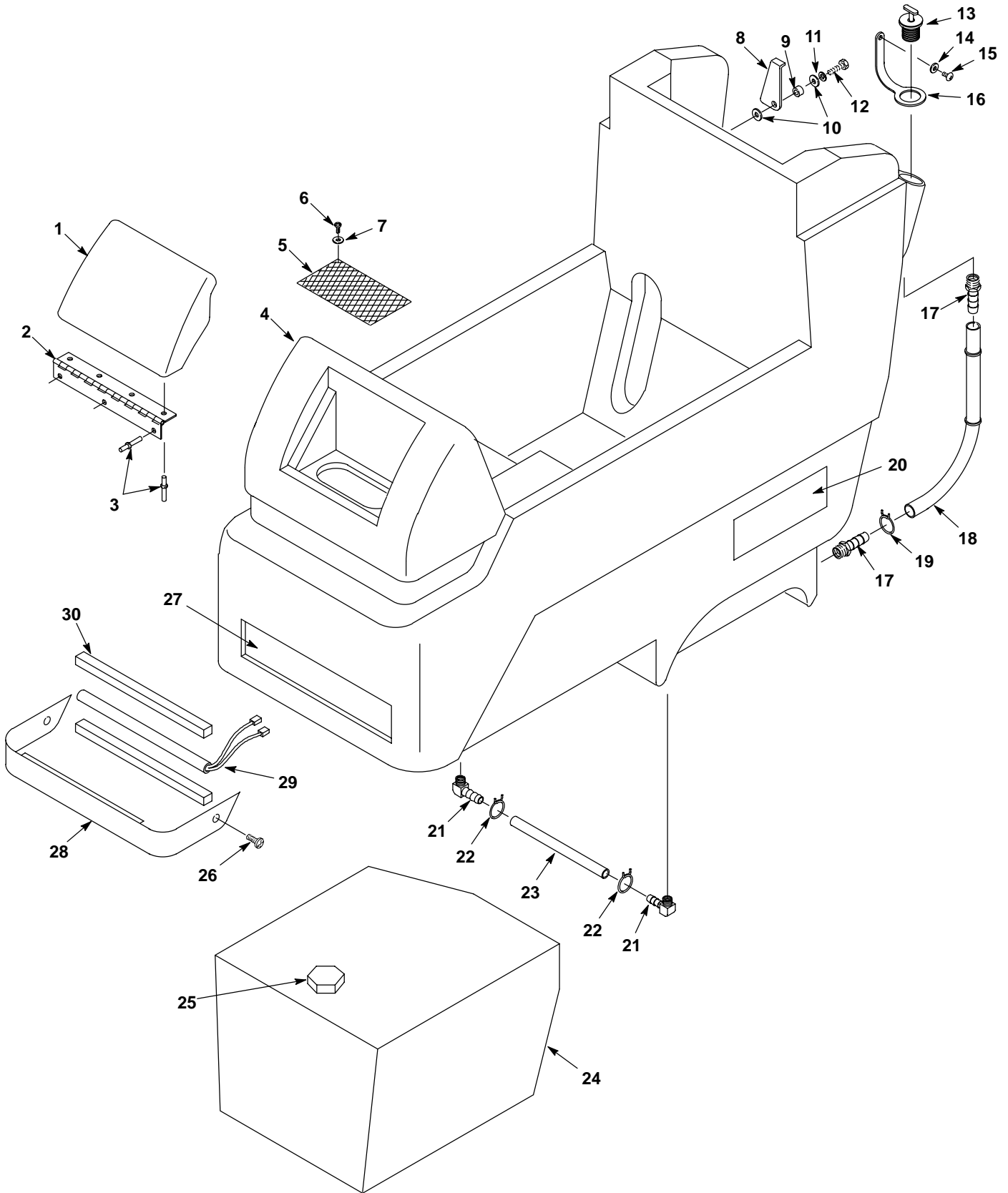
REF	PART #	DESCRIPTION	QTY.
∇ 3	240249	●PAD DRIVER ASM 20"	1
▲ 4	240254	●LUGS, W/SCREWS (SET OF 3)	3
▲ 5	25707	●LOCK, UNIVERSAL CENTER	1

∇ ASSEMBLY / CONJUNTO

▲ INCLUDED IN ASSEMBLY / INCLUIDO EN EL CONJUNTO

● RECOMMENDED STOCK ITEMS / ARTICULOS RECOMENDADOS

SOLUTION TANK GROUP
GRUPE DEL DEPÓSITO DE DISOLUCIÓN



SOLUTION TANK GROUP
GRUPE DEL DEPÓSITO DE DISOLUCIÓN

REF	PART #	DESCRIPTION	QTY.
∇	608518	ASM, COVER SOL. TANK GREEN	1
▲ 1	608284	COVER, SOLUTION TANK GREEN	1
▲ 2	611068	HINGE, COVER	1
▲ 3	140706	RIVET, POP 1/8	7
4	608627	TANK, SOLUTION GREEN	1
5	607099	●SCREEN, SOLUTION-FILL	1
6	140835	SCREW, 10-24X3/8	2
7	140032	WASHER, #6 FLAT	2
8	230925	SUPPORT, RECOVERY TANK	1
9	140116	BUSHING	1
10	140027	WASHER, 5/16 FLAT	2
11	140015	WASHER, 5/16 SPLITLOCK	1
12	140226	SCREW, 5/16-18X5/8	1
13	621324	●PLUG, EXPANSION 1-1/2"DIA	1
14	140011	WASHER, 3/16 FLAT	1
15	140350	SCREW, #10X1/21	1

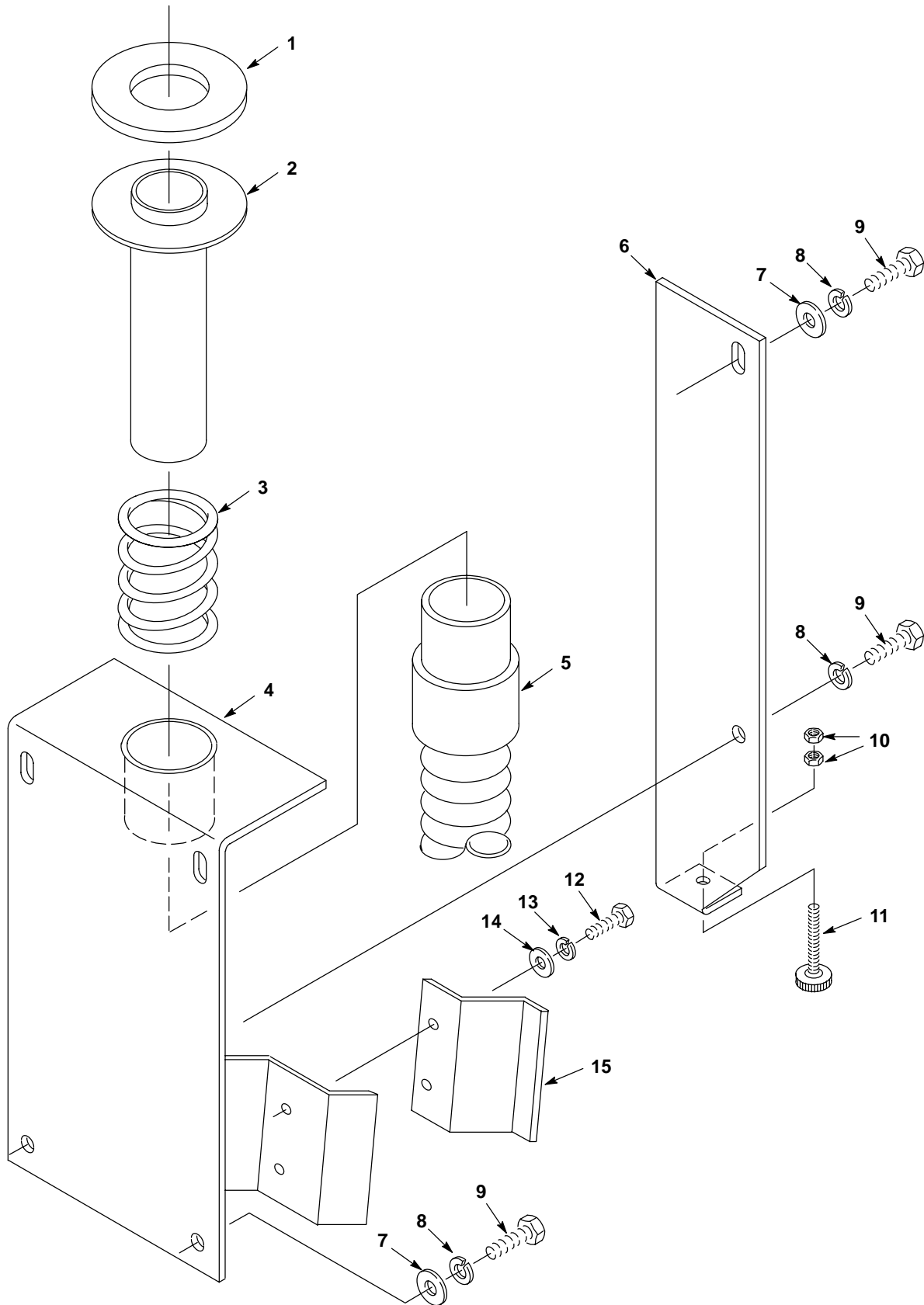
REF	PART #	DESCRIPTION	QTY.
16	600476	●STRAP, PLUG REAR FILL	1
17	14884	FITTING, 3/8MX1/2H BARB BRS	2
18	700420	ASM., HOSE W/SOL. INDICATOR	1
19	607776	CLAMP, HOSE 2WIRE BLK	1
20	608455	DECAL, SPEEDSCRUB 2001 SIDE	2
21	150419	FITTING, 1/4MX3/8H ELB 90	2
22	607775	CLAMP, HOSE 2WIRE BLK	2
23	606240	HOSE, 3/8IDX5/8ODX10.25	1
24	602713	TANK, BALLAST	1
25	230119	FITTING, 1-1/4M HEX PLUG	1
26	140835	SCREW, 10-24X3/8	2
27	608185	DECAL, NOBLES 6.75" LOGO	1
28	230311.BK	SHIELD, LIGHT	1
29	130023	LIGHT, SAFETY 24VDC 14"	1
30	605324	GASKET, 1/2" CLOSED CELL	2

∇ ASSEMBLY / CONJUNTO

▲ INCLUDED IN ASSEMBLY / INCLUIDO EN EL CONJUNTO

● RECOMMENDED STOCK ITEMS / ARTICULOS RECOMENDADOS

SOLUTION TANK REAR PANEL GROUP
CONJUNTO PANEL TRASERA



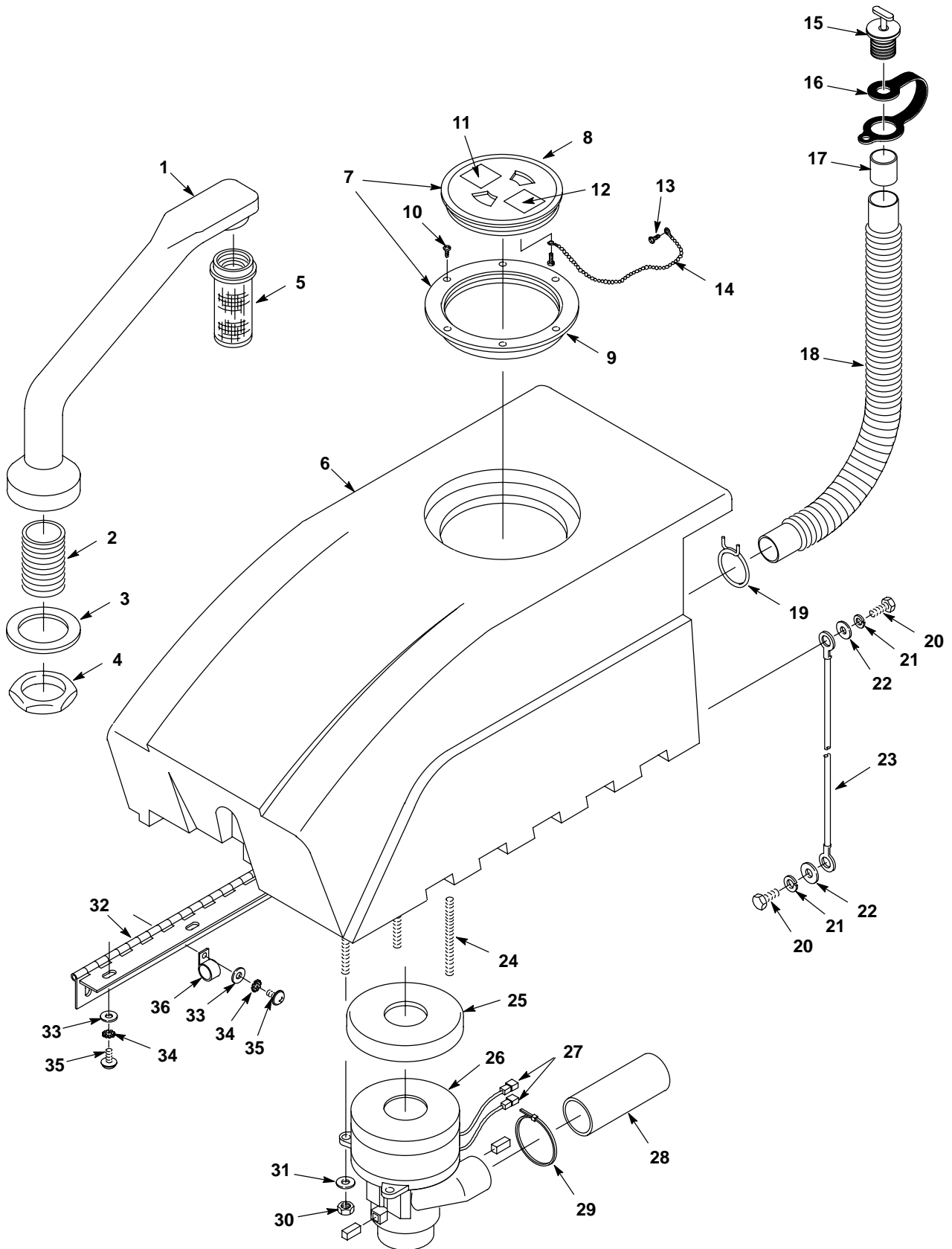
SOLUTION TANK REAR PANEL GROUP
CONJUNTO PANEL TRASERA

REF	PART #	DESCRIPTION	QTY.
1	100151	●GASKET, TUBE-ADAPTER	1
2	230664	ADAPTER, TUBE	1
3	140424	SPRING, TUBE-ADAPTER	1
4	230873	MOUNT, PLATE WELDMENT	1
5	160617	●HOSE, VAC 1-1/2X24" W/CUFFS	1
6	230927	PLATE, VALVE STOP	1
7	140027	WASHER, 5/16 FLAT	3
8	140015	WASHER, 5/16 SPLITLOCK	4

REF	PART #	DESCRIPTION	QTY.
9	140226	SCREW, 5/16-18X5/8	4
10	140548	NUT, 5/16 FINJAM	2
11	240191	KNOB, 5/16-18X2"	1
12	140259	SCREW, 1/4-20X5/8	2
13	140016	WASHER, 1/4 LOCK	2
14	140000	WASHER, 1/4 FLAT	2
15	230872	LATCH, PLATE BRUSH LIFT	1

● RECOMMENDED STOCK ITEMS / ARTICULOS RECOMENDADOS

RECOVERY TANK GROUP
CONJUNTO DESPÓSITO RECUPERAR



RECOVERY TANK GROUP
CONJUNTO DESPÓSITO RECUPERAR

REF	PART #	DESCRIPTION	QTY.
▽ 1	701103	ASM, STANDPIPE W/NIPPLE	1
▲ 2	606088	FITTING, 1-1/2" NIPPLE	1
3	101714	●GASKET, WASTE AIR CHAMBER	1
4	210240	NUT, 1-1/2 FPT FLNG METAL	1
5	180613	●FLOAT, SHUT-OFF (1)BALL	1
6	608629	TANK, RECOVERY GREEN	1
▽ 7	100102	●ASM., LID CLEAR W/STND HOLE	1
▲ 8	100105	●LID, CLEAR CENTER ONLY	1
▲ 9	100109	●LID, OUTER RING ONLY	1
10	140826	SCREW, #6X3/4	6
11	630420	DECAL, "FLAMMABLE MATERIAL"	1
12	578729	DECAL, READ MANUAL	1
13	3701.6	SCREW, #6X3/8	2
14	230513	CHAIN	1
15	621324	●PLUG, EXPANSION 1-1/2"DIA	1
16	578441	●STRAP, DRAIN HOSE	1
17	630394	●SLEEVE, DRAIN HOSE	1
18	605558	●HOSE, DRAIN	1
19	607777	CLAMP, HOSE 1WIRE BLK	1

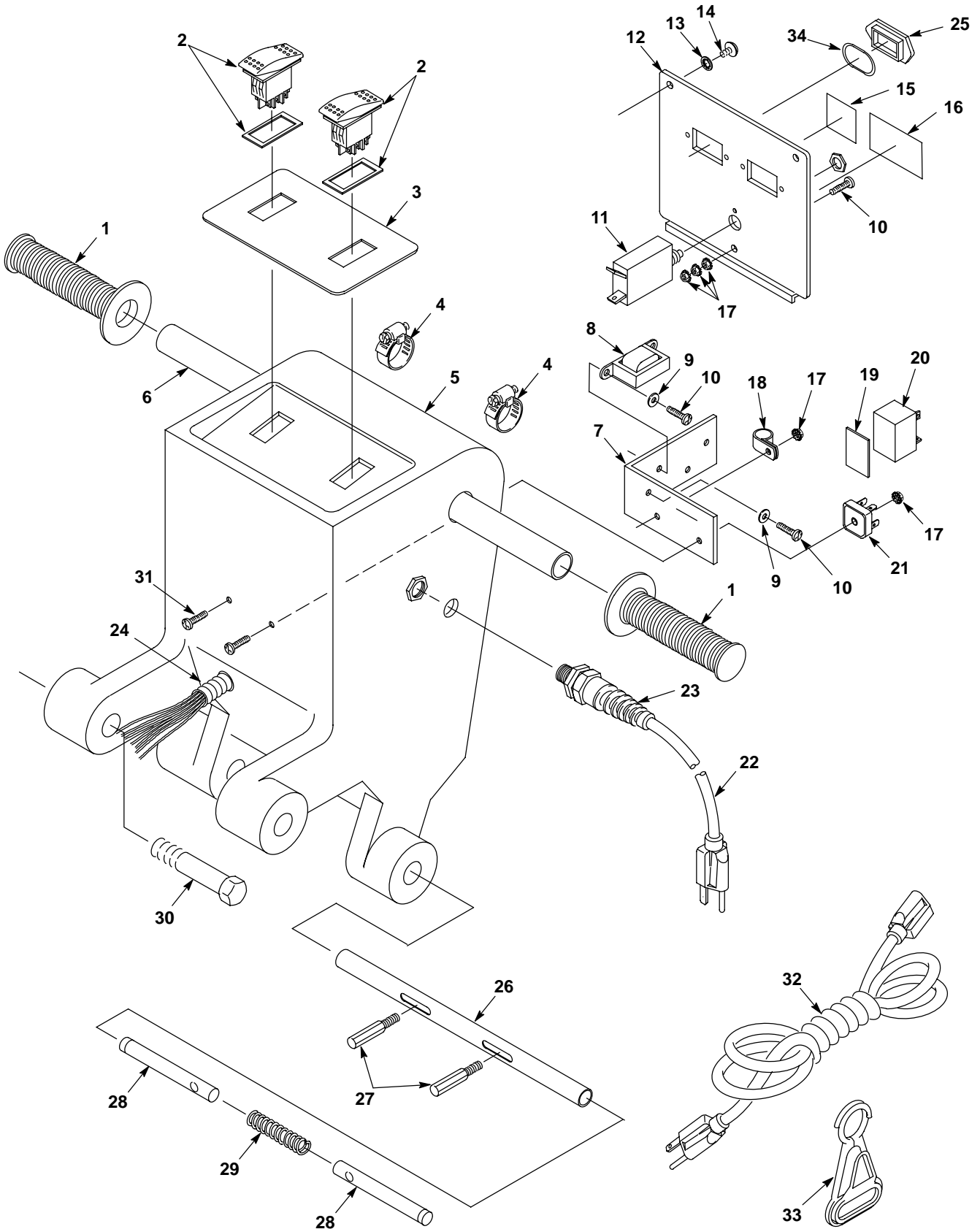
REF	PART #	DESCRIPTION	QTY.
20	140259	SCREW, 1/4-20X5/8	2
21	140016	WASHER, 1/4 LOCK	2
22	140000	WASHER, 1/4 FLAT	2
23	140960	●CABLE, REC. TANK SUPPORT	1
24	606923	STUD, 1/4-20X4.25	3
25	100038	●GASKET VAC MOTOR	1
26	130402	●MOTOR, VAC 5.7 2S 120V	1
	190155	●BRUSH, CARBON 2/PK	2
27	130133	TERMINAL, MALE .25	2
28	600009	●MUFFLER, VAC EXHAUST	1
29	130041	WIRE TIE, 11-1/2X.19	1
30	140501	NUT, 1/4-20 NYLOCK	3
31	140000	WASHER, 1/4 FLAT	3
32	605244	●HINGE, RECOVERY TANK	1
33	140000	WASHER, 1/4 FLAT	9
34	140052	WASHER, 1/4 EXT	9
35	140885	SCREW 1/4-20X1/2	9
36	140300	CLAMP, INSULATED 1/2"ID	1

▽ ASSEMBLY / CONJUNTO

▲ INCLUDED IN ASSEMBLY / INCLUIDO EN EL CONJUNTO

● RECOMMENDED STOCK ITEMS / ARTICULOS RECOMENDADOS

CONTROL CONSOLE GROUP
CONJUNTO CONSOLA DE CONTROLES



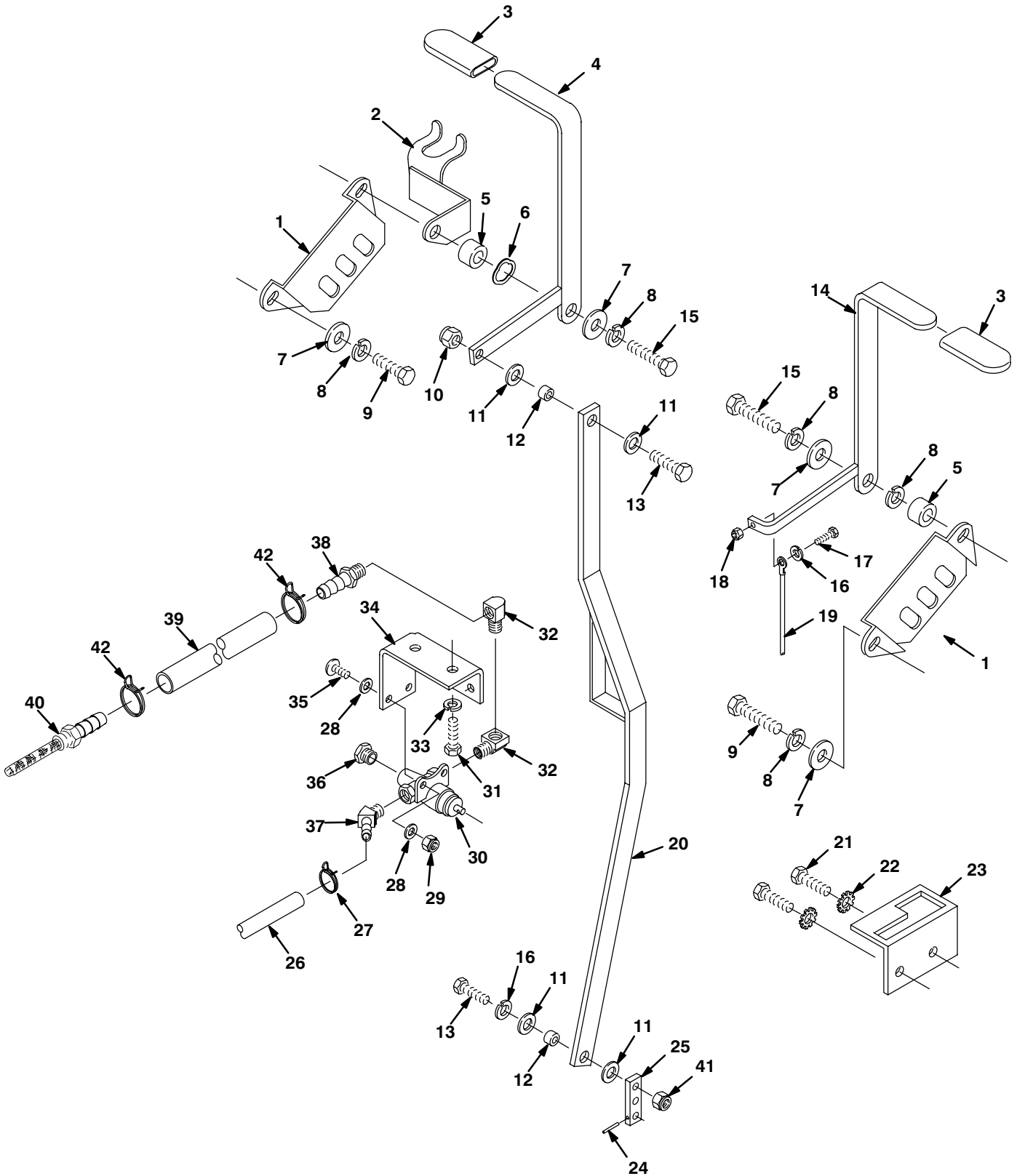
CONTROL CONSOLE GROUP
CONJUNTO CONSOLA DE CONTROLES

REF	PART #	DESCRIPTION	QTY.
1	200823	GRIP, HANDLE TUBE	2
2	608605	●SWITCH, ROCKER DPST SEAL	2
3	600813	DECAL, DASH	1
4	140307	CLAMP HOSE 3/4 TO 1-3/4	2
5	609015	CONTROL CONSOLE GREEN	1
6	230709	HANDLE, TUBE	1
7	230744	BRACKET, ELECTRONICS MOUNT	1
8	130025	●TRANSFORMER, 24V/115/230V.2A	1
9	140018	WASHER #10 INT	3
10	140900	SCREW, 10-24X3/4	4
11	130755	●BREAKER, CIRCUIT 10A 120V	1
12	610949	COVER, CONTROL CONSOLE	1
13	140018	WASHER, #10 INT	2
14	140197	SCREW, 10-24X3/8	2
15	606105	DECAL, DO NOT SPRAY	1
16	120619	DECAL, WARNING	1
17	140519	NUT, 10-24 KEP	5
18	140916	CLAMP, CABLE 5/8ID	1

REF	PART #	DESCRIPTION	QTY.
19	100058	TAPE, ACRYLIC FOAM - 1"	1
20	130021	●FLASHER, 24VDC	1
21	190753	●RECTIFIER, 60A/600V	1
22	130227	CORD, 14/3X20" YELLOW (120V)	1
23	130166	GRIP, STRAIN-RLF W/NUT (120V)	1
24	611760	HARNESS, WIRE MAIN	1
25	609969	●PLUG, HOUR METER	2
26	230715	TUBE, HANDLE ADJUSTMENT	1
27	230649	PIN, HANDLE ADJUSTMENT	2
28	230710	PIN, HANDLE LOCK	2
29	140415	SPRING, LOCK PIN	1
30	140241	BOLT, SHOULDER 5/8 X 2	2
31	140900	SCREW, 10-24X3/4	2
32	130229	CORD, EXT 14/3X75' (120V)	1
33	130176	●CLIP, BELT STRAIN-RELIEF	1
34	605823	●O-RING .926 ID X .99600	2

● RECOMMENDED STOCK ITEMS / ARTICULOS RECOMENDADOS

LEVER GROUP
CONJUNTO DE PALANCAS



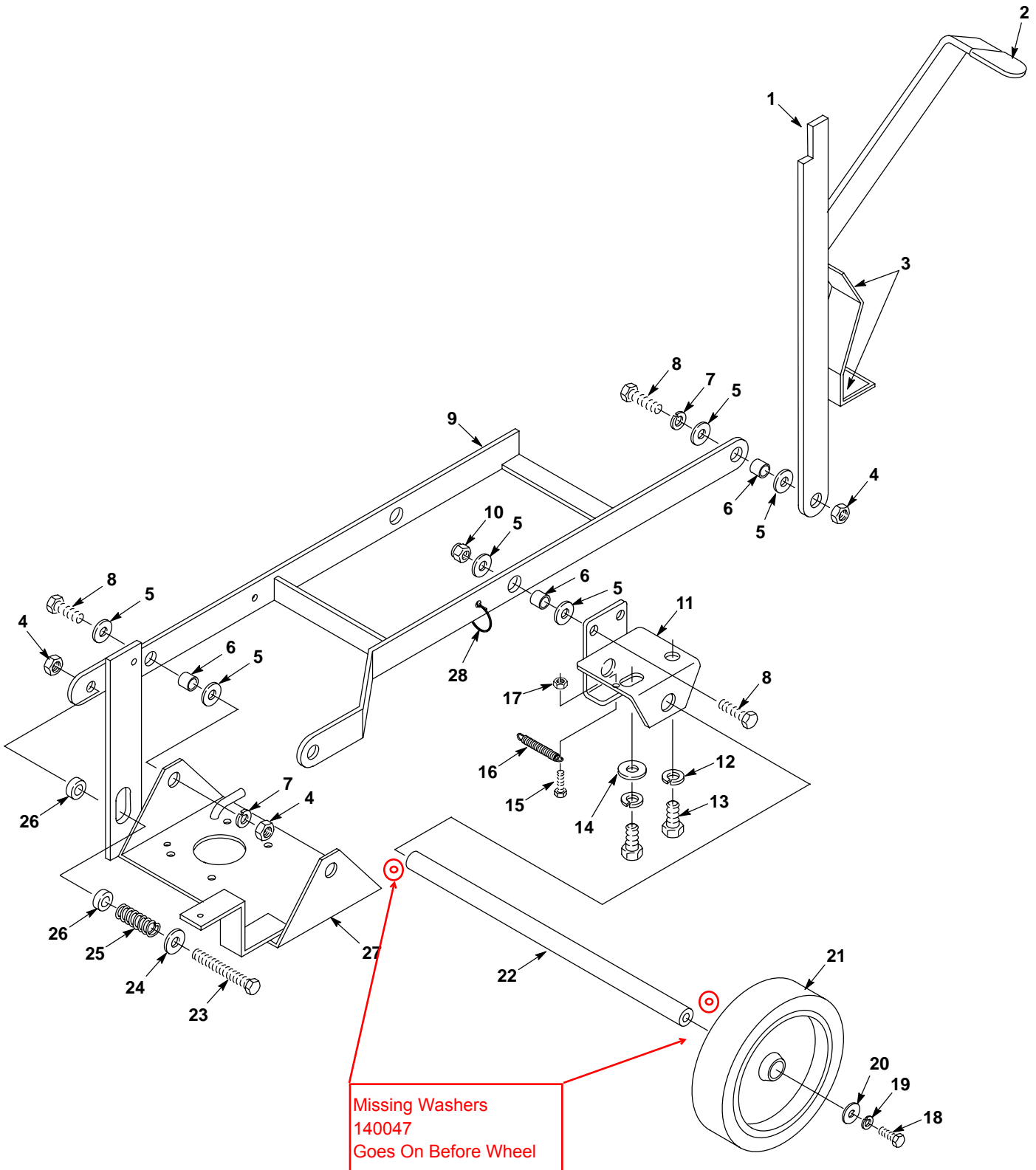
LEVER GROUP
CONJUNTO DE PALANCAS

REF	PART #	DESCRIPTION	QTY.
1	230661	PLATE, LOCK CONTROL HOUSING	2
2	602641	BRACKET, DRAIN HOSE HANGER	1
3	200816	●GRIP, HANDLE	2
4	230719	HANDLE, SOLUTION VALVE	1
5	230735	BUSHING, SPACER	2
6	140060	WASHER, .50 WAVE	2
7	140027	WASHER, 5/16 FLAT	4
8	140015	WASHER, 5/16 SPLITLOCK	4
9	140226	SCREW, 5/16-18X5/8	2
10	140510	NUT, 1/4-20 HEXJAM	1
11	140000	WASHER, 1/4 FLAT	4
12	140134	BUSHING	2
13	140208	SCREW, 1/4-20X1	2
14	230728	HANDLE, SQUEEGEE LIFT	1
15	140221	SCREW, 5/16-18X1-1/4	2
16	140016	WASHER, 1/4 LCK	2
17	140259	SCREW, 1/4-20X5/8	1
18	140510	NUT, 1/4-20 HEXJAM	1
19	140931	●CABLE, SQUEEGEE LIFT	1
20	230718	LEVER, SOLUTION VALVE	1
21	140951	SCREW, 10-24X7/16	2

REF	PART #	DESCRIPTION	QTY.
22	140031	WASHER, #10 EXT	2
23	230712	PLATE, SQUEEGEE LOCK	1
24	140616	PIN, ROLL	1
25	230657	ARM, VALVE	1
26	606238	HOSE, 3/8IDX5/8ODX18	1
27	607776	CLAMP, HOSE 2WIRE BLK	1
28	140011	WASHER, 3/16 FLAT	4
29	140552	NUT, 10-24 NYLOCK	2
30	210259	●VALVE, 3-WAY	1
31	140259	SCREW, 1/4-20X5/8	2
32	150406	FITTING, 1/4MX1/4F ELB 90	2
33	140016	WASHER, 1/4 LOCK	2
34	600750	BRACKET, VALVE	1
35	140895	SCREW, 10-24X3/4	2
36	150206	PLUG, HXHD 1/4"	1
37	605394	FITTING, HOSE BARB	1
38	150517	FITTING, 1/4MX1/2H BARB	1
39	606241	HOSE, 1/2ID X 6"	1
40	180629	FILTER, SOLUTION TANK	1
41	140501	NUT, 1/4-20 NYLOCK	1
42	607775	CLAMP, HOSE 2WIRE BLK	2

● RECOMMENDED STOCK ITEMS / ARTICULOS RECOMENDADOS

NON-DRIVE MODEL WHEEL GROUP
CONJUNTO PARA LEVANTAR CEPILLO



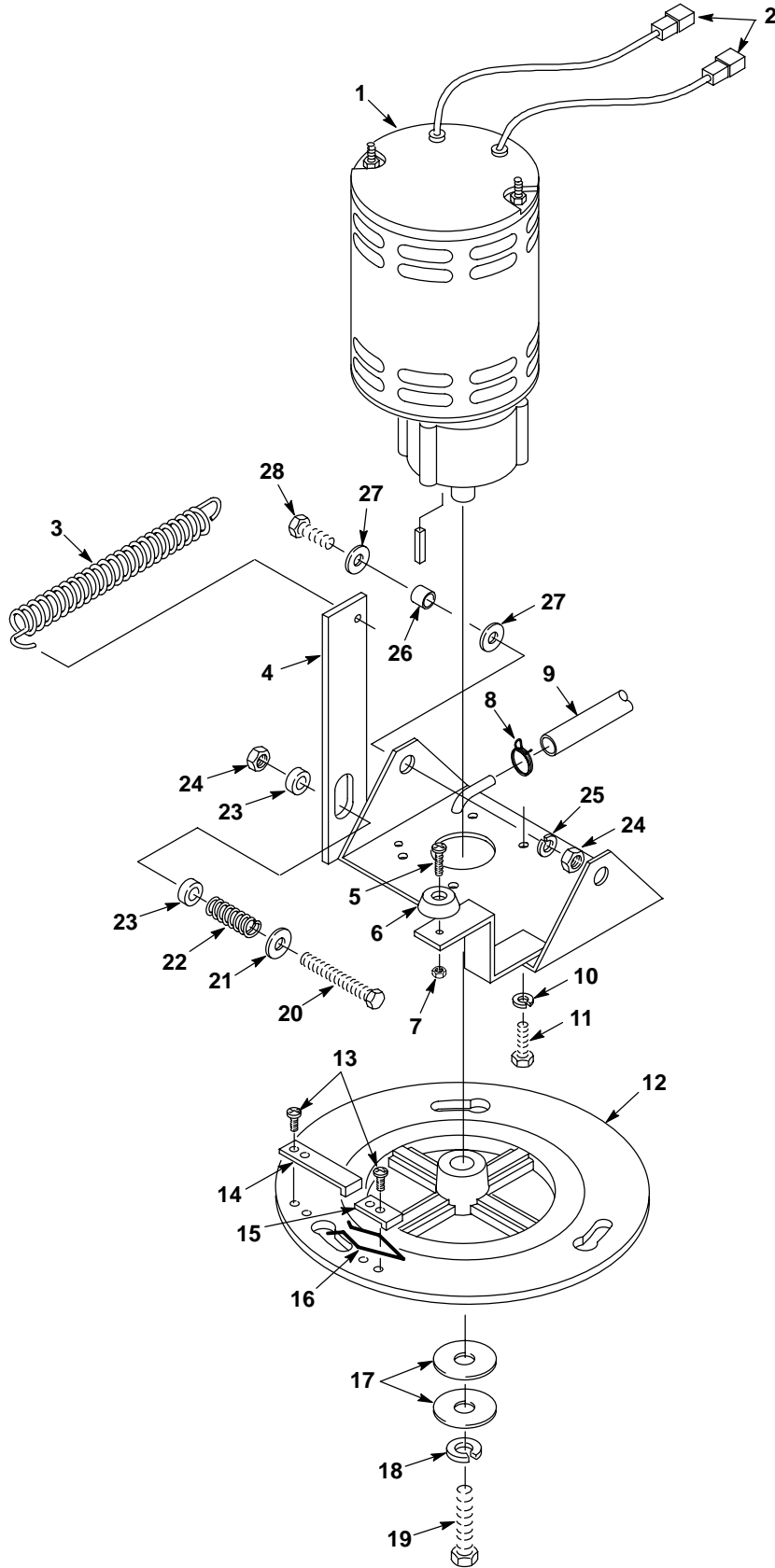
NON-DRIVE MODEL WHEEL GROUP
CONJUNTO PARA LEVANTAR CEPILLO

REF	PART #	DESCRIPTION	QTY.
1	230874	LEVER, BRUSH LIFT FOOT	1
2	200816	GRIP, HANDLE	1
3	102560	PAD, NON-SLIP	2
4	140509	NUT, 1/2-13 HEXJAM	4
5	140045	WASHER, .510X1.25X.06 FLAT	10
6	140139	BUSHING, BRUSH LIFT PEDAL	5
7	140024	WASHER, 1/2 LOCK	3
8	140236	SCREW, 1/2-13X1-1/4 HXHDCP	5
9	230870	WELDMENT, LIFT BRACKET	1
10	140516	NUT, 1/2-13 NYLOCK	2
11	230869	BRACKET, AXLE & SQ PIVOT MNT	2
12	140024	WASHER, 1/2 LOCK	4
13	140237	SCREW, 1/2-13X1 HXHDCP	6
14	140045	WASHER, .510X1.25X.06 FLAT	2

REF	PART #	DESCRIPTION	QTY.
15	140223	SCREW, 5/16-18X3/4 HXHDCP	2
16	140433	SPRING, EXTENSION 3"	2
17	140506	NUT, 5/16-18 HEX	2
18	140201	SCREW, 3/8-16X3/4 HXHDCP	2
19	140017	WASHER, 3/8 SPLITLOCK	2
20	140028	WASHER, 3/8 FLAT	2
21	607577	●WHEEL 8"X1.5"	2
22	230743	AXLE, 3/4 OD X 16-5/8	1
23	140234	SCREW, 1/2-13X2-1/2 HXHDCP	1
24	3148.816	WASHER, FLAT	1
25	140430	SPRING, HANDLE LOCK	1
26	140127	BEARING, THRUST	2
27	230871	BRACKET, MOTOR MOUNT	1
28	130040	WIRE TIE, NYLON	1

● RECOMMENDED STOCK ITEMS / ARTICULOS RECOMENDADOS

BRUSH DRIVE GROUP
CONJUNTO IMPULSO DE CEPILLO



BRUSH DRIVE GROUP
CONJUNTO IMPULSO DE CEPILLO

REF	PART #	DESCRIPTION	QTY.
▽ 1	130481	●MOTOR, BRUSH DRIVE (120V)	1
▲	22117	●BRUSH, CARBON	4
▲	190742	●ASM, BRUSH CARD	1
2	130192	TERMINAL ENDS	2
3	140431	SPRING, EXTENSION 5"	1
4	230871	BRACKET, MOTOR MOUNT	1
5	140823	SCREW, 10-24X5/8 TRSPHL	1
6	100091	BUMPER, RECESSED	1
7	140552	NUT, 10-24 NYLOCK	1
8	607775	CLAMP, HOSE 2WIRE BLK	1
9	609924	HOSE, 3/8IDX5/8ODX19" CLEAR	1
10	140017	WASHER, 3/8 SPLITLOCK	4
11	140202	SCREW, 3/8-16X1 HXHDCP	4
12	606335	PLATE, DRIVE MOLDED	1
13	606915	SCREW, HIGH-LOW 10-16X3/8	4

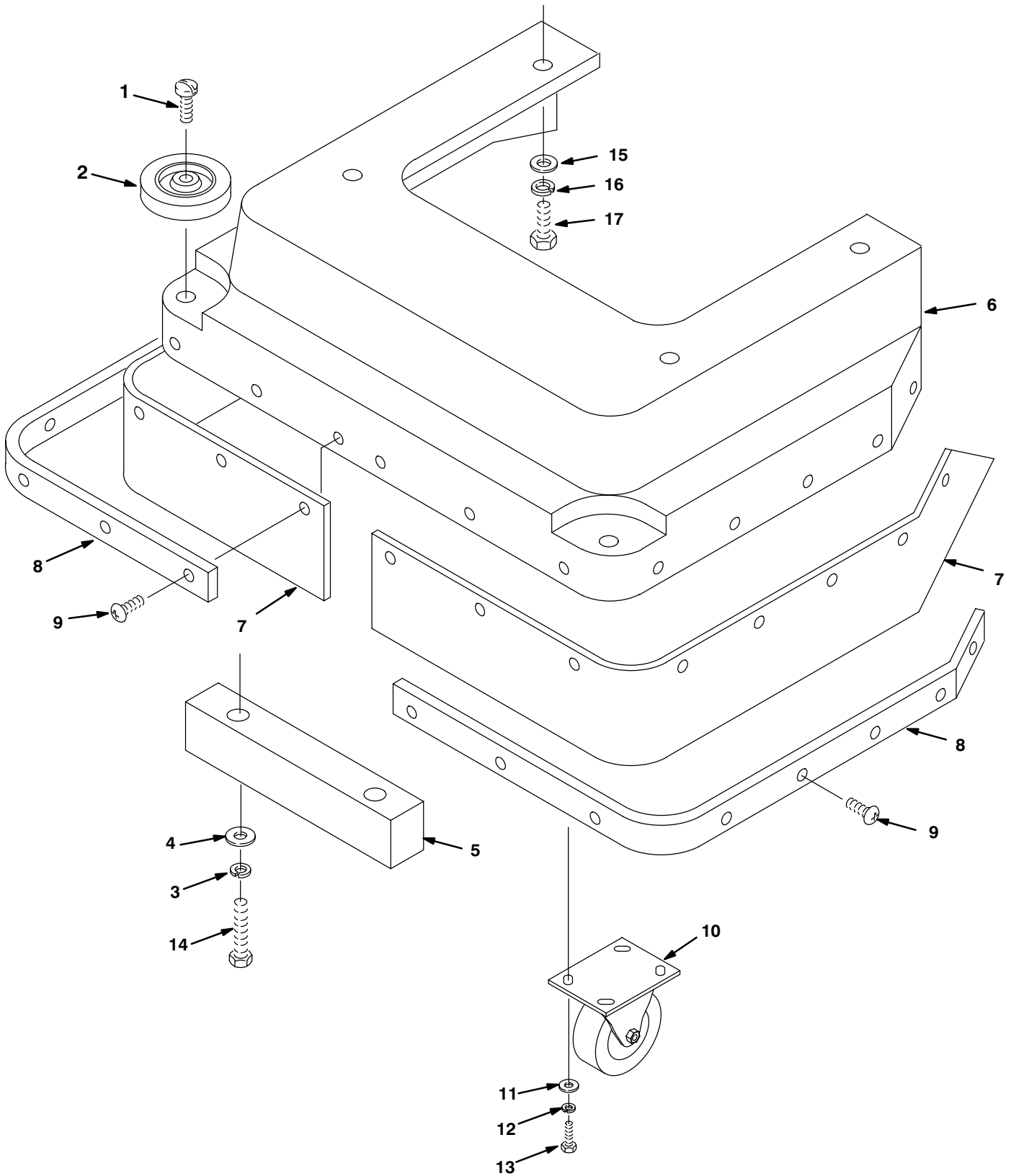
REF	PART #	DESCRIPTION	QTY.
14	230697	●STOP, DRIVER RELEASE	1
15	230651	●CLAMP, BRUSH PLATE	1
16	140417	●CLIP, SPRING	1
17	25732	WASHER, FLAT	2
18	140015	WASHER, 5/16 SPLITLOCK	1
19	140219	SCREW, 5/16-18X1 HXHDCP	1
20	140234	SCREW, 1/2-13X2-1/2	1
21	3148.816	WASHER, FLAT	1
22	140430	SPRING	1
23	140127	BEARING, THURST	2
24	140509	NUT, 1/2-13 HXJM	3
25	140024	WASHER, 1/2 LOCK	2
26	140139	BUSHING, BRUSH LIFT PEDAL	2
27	140045	WASHER, .510X1.25X.06 FLAT	4
28	140236	SCREW, 1/2-13X1-1/4	2

▽ ASSEMBLY / CONJUNTO

▲ INCLUDED IN ASSEMBLY / INCLUIDO EN EL CONJUNTO

● RECOMMENDED STOCK ITEMS / ARTICULOS RECOMENDADOS

SKIRT GROUP
CONJUNTO JUEGO



SKIRT GROUP
CONJUNTO JUEGO

REF	PART #	DESCRIPTION	QTY.
∇	608519	ASM, SKIRT 20" GREEN	1
▲	1	●SCREW, 5/16-18X1-1/2 TRSPHL	2
▲	2	●WHEEL, RUBBER	2
▲	3	WASHER, 5/16 SPLITLOCK	4
▲	4	WASHER, 5/16 FLAT	2
▲	5	WEIGHT, 2X2.5X9.5	1
▲	6	SKIRT, HSG. 20" GREEN	1
▲	7	●GUARD, SPLASH	2
▲	8	STRAP, SPLASH GUARD	2

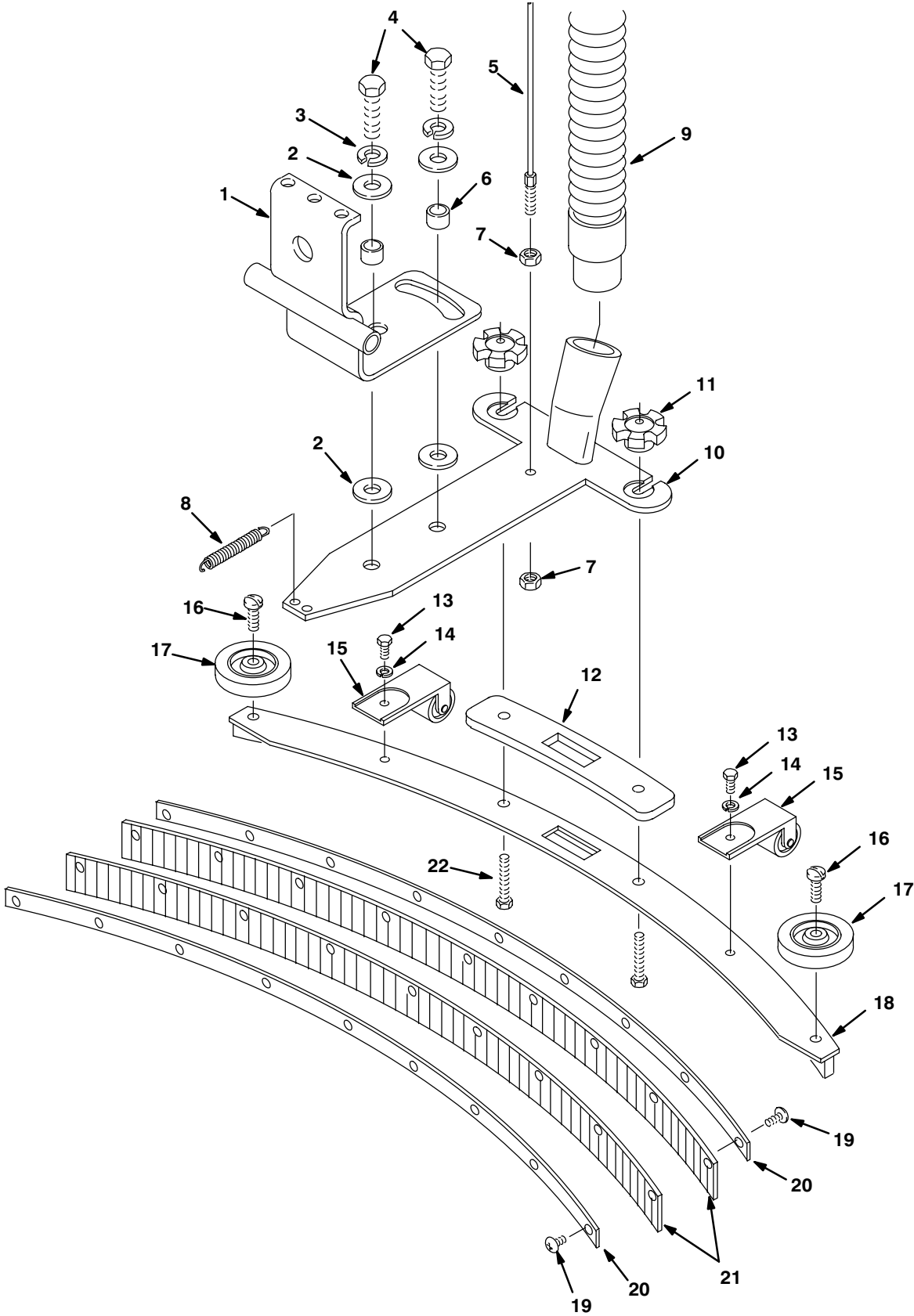
REF	PART #	DESCRIPTION	QTY.
▲	9	SCREW, 10-24X1/2" TRSPHL	16
▲	10	●CASTER, SWIVEL 3"X1.25"	2
▲	11	WASHER, 1/4 FLAT	8
▲	12	WASHER, 1/4 LOCK	8
▲	13	SCREW, 1/4-20X5/8 HXHDCP	8
▲	14	SCREW, 5/16-18X2-1/2 TAP	2
	15	WASHER, FLAT	4
	16	WASHER, 5/16 SPLTLOCK	2
	17	SCREW, 5/16-18X1-1/2 HXHDCP	4

∇ ASSEMBLY / CONJUNTO

▲ INCLUDED IN ASSEMBLY / INCLUIDO EN EL CONJUNTO

● RECOMMENDED STOCK ITEMS / ARTICULOS RECOMENDADOS

CURVED SQUEEGEE ASSEMBLY
CONJUNTO PALETA ENCORUADO



CURVED SQUEEGEE ASSEMBLY
CONJUNTO PALETA ENCORUADO

REF	PART #	DESCRIPTION	QTY.
1	9001504	PIVOT, SQUEEGEE MOUNT	1
2	140045	WASHER, FLAT	4
3	140024	WASHER, LOCK	2
4	140237	SCREW, 1/2-13X1	2
5	140931	●CABLE, SQUEEGEE	1
6	140139	BUSHING	2
7	140524	NUT, LOCK 1/4	2
8	140433	SPRING	2
9	160617	●HOSE, 1 1/2X24" W/CUFFS	1
10	230730.BK	BRACKET, SQUEEGEE MOUNT	1
▽	603261	●ASM., SQUEEGEE	1
▲	605361	●KNOB, BLACK	2
▲	603260	●GASKET, SQUEEGEE	1
▲	140226	SCREW, 5/16-18X 5/8	2
▲	140015	WASHER, LOCK	2

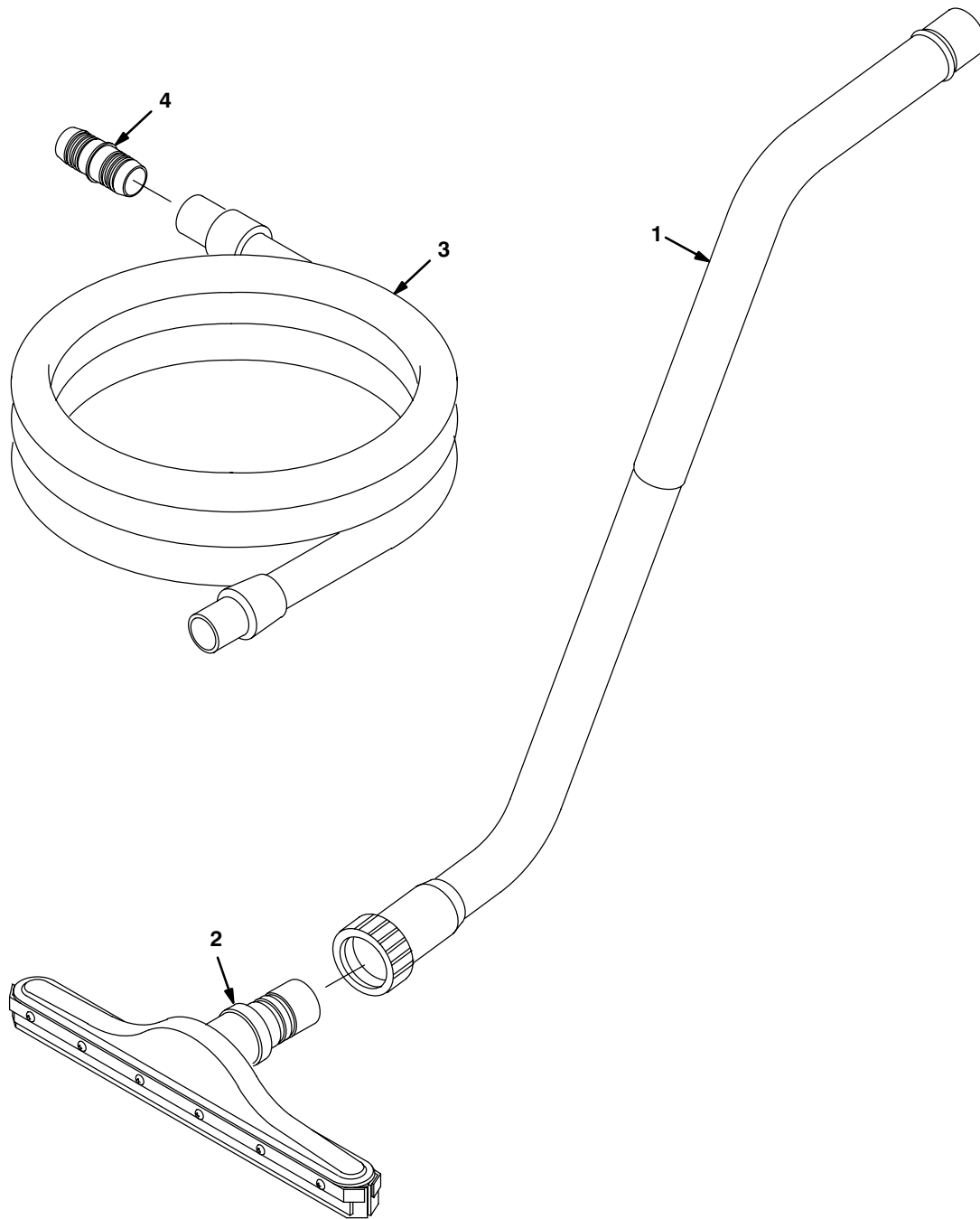
REF	PART #	DESCRIPTION	QTY.
▲	15	700844 ●ASM, SQUEEGEE ROLLER	2
▲	16	140799 SCREW, 5/16-18 X 1 1/2	2
▲	17	630450 ●WHEEL, W/BUSHINGS	2
▲	18	602959 WELDMENT, SQUEEGEE	1
▲	19	605975 SCREW, 10-24X1/2 SEMS	18
▲	20	602964 ●PLATE, SQUEEGEE	2
▲	21	603659 ●BLADE, URETHANE (STANDARD)	2
▲	22	140221 SCREW, 5/16-18X1 1/4	2
▽	611453	●KIT, SQUEEGEE LINATEX (OPTIONAL)	1
▲	607465	●BLADE, LINATEX REAR ONLY (OPTIONAL)	1
▲	611449	●BLADE, LINATEX FRONT ONLY (OPTIONAL)	1
	606676	●BLADE, GUM RUBBER REAR ONLY (OPTIONAL)	1

▽ ASSEMBLY

▲ INCLUDED IN ASSEMBLY

● RECOMMENDED STOCK ITEMS

**SQUEEGEE WAND ASSEMBLY
GROUPE D'ASPIRATION ET RACLETTE À MAIN**



REF	PART #	DESCRIPTION	QTY.
▽	190928	●ASM, WAND DOUBLE BEND	1
▲ 1	6108.1	WAND, DOUBLE BEND	1
▲ 2	13840	SQUEEGEE ASM PUSH/PULL	1

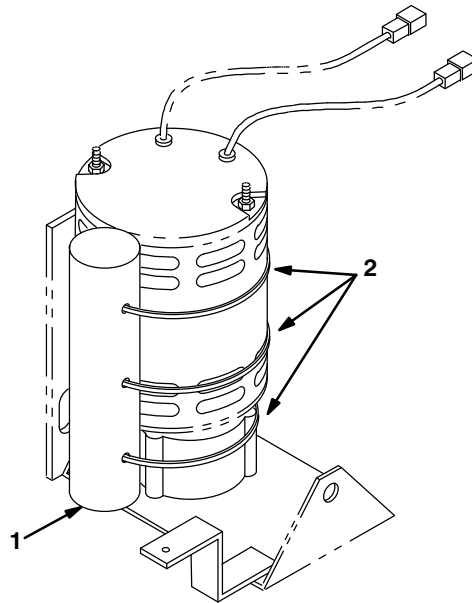
REF	PART #	DESCRIPTION	QTY.
▲ 3	160481	●HOSE, VAC 1-1/2X10'	1
▲ 4	160451	CONNECTOR, VAC HOSE	1

▽ ASSEMBLY / CONJUNTO

▲ INCLUDED IN ASSEMBLY / INCLUIDO EN EL CONJUNTO

● RECOMMENDED STOCK ITEMS / ARTICULOS RECOMENDADOS

**BRUSH WEIGHT KIT
KIT DEL PESO DEL CEPILLO**



REF	PART #	DESCRIPTION	QTY.
▽	190703	●KIT, BRUSH WEIGHT	1
▲ 1	230799	WEIGHT, BRUSH	1

REF	PART #	DESCRIPTION	QTY.
▲ 2	130042	WIRE TIE, NYLON	6

▽ ASSEMBLY / CONJUNTO

▲ INCLUDED IN ASSEMBLY / INCLUIDO EN EL CONJUNTO

● RECOMMENDED STOCK ITEMS / ARTICULOS RECOMENDADOS