



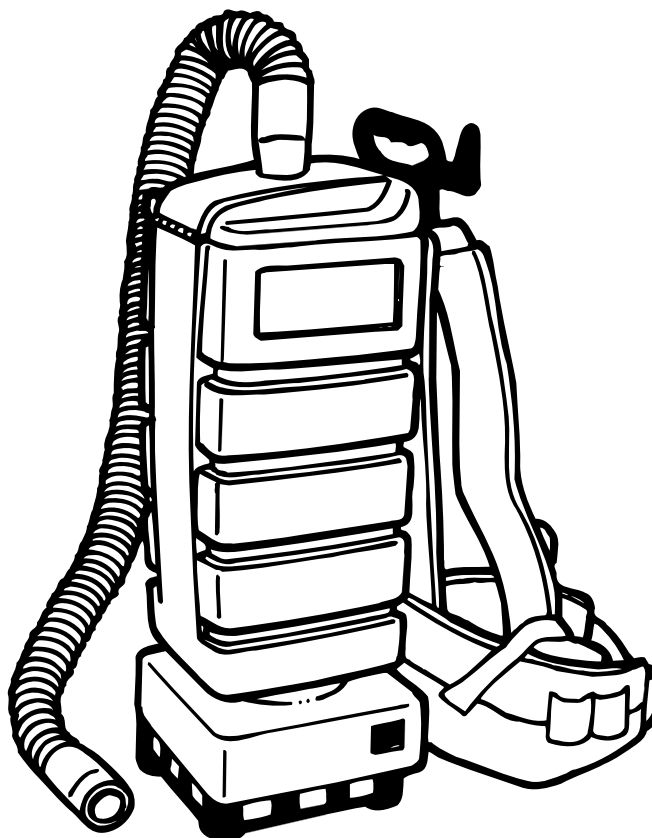
3000/3040/3050

Portable Dry Vacuum
Aspiradora Ligera Transportable en la Espalda

Model No.:

- 607757 – 3000 (120V)
- 609209 – 3040 (120V/400HZ)
- 607751 – 3050 (120V)
- 609380 – 3050 (230V)
- 609694 – 3050 (240V EMC)

**Operator and Parts Manual
Manual del Operador y Piezas**

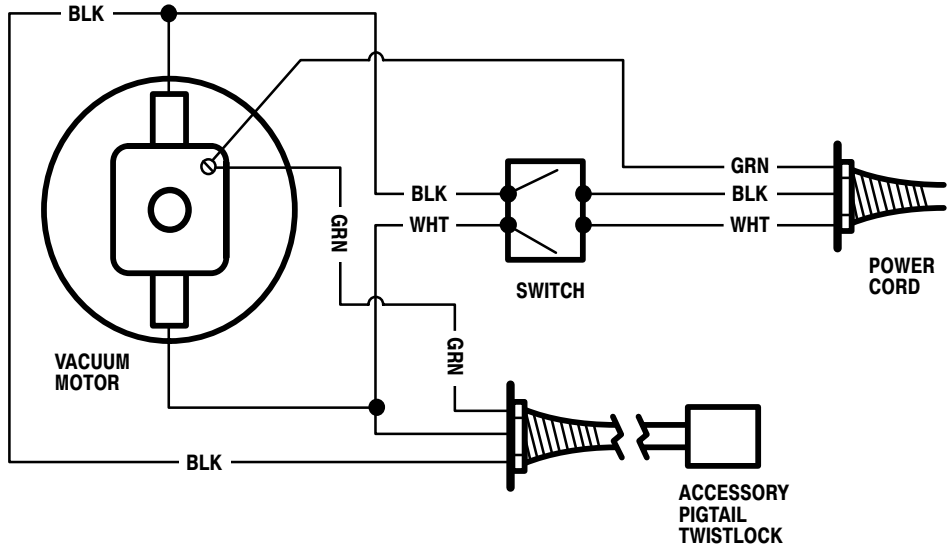


TENNANT COMPANY
Commercial Products
12875 RANSOM STREET
HOLLAND MI 49424 U.S.A.

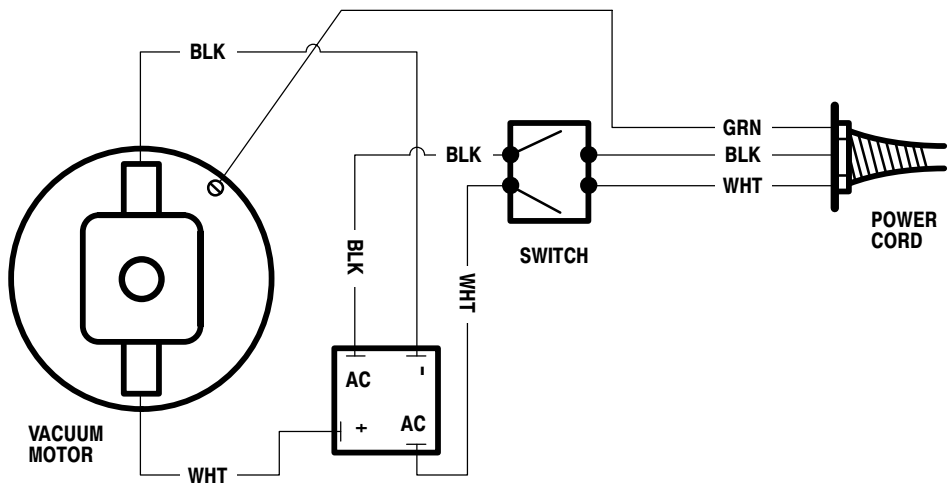
FAX: 1-800-678-4240
CUSTOMER SERVICE: 1-800-982-7658

607752
Rev. 02 (08-01)

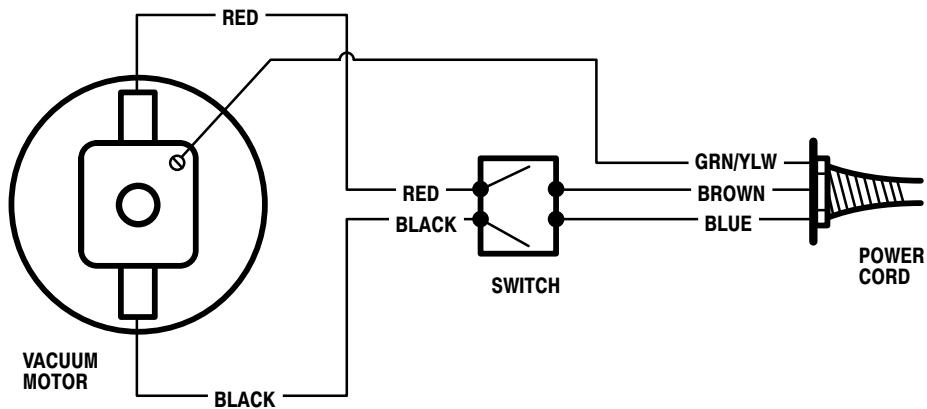
120V WIRING DIAGRAM



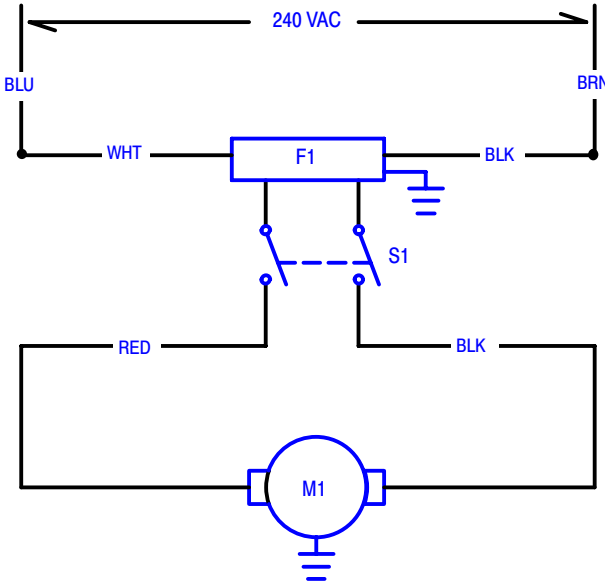
120V 400 Hz WIRING DIAGRAM



230V WIRING DIAGRAM



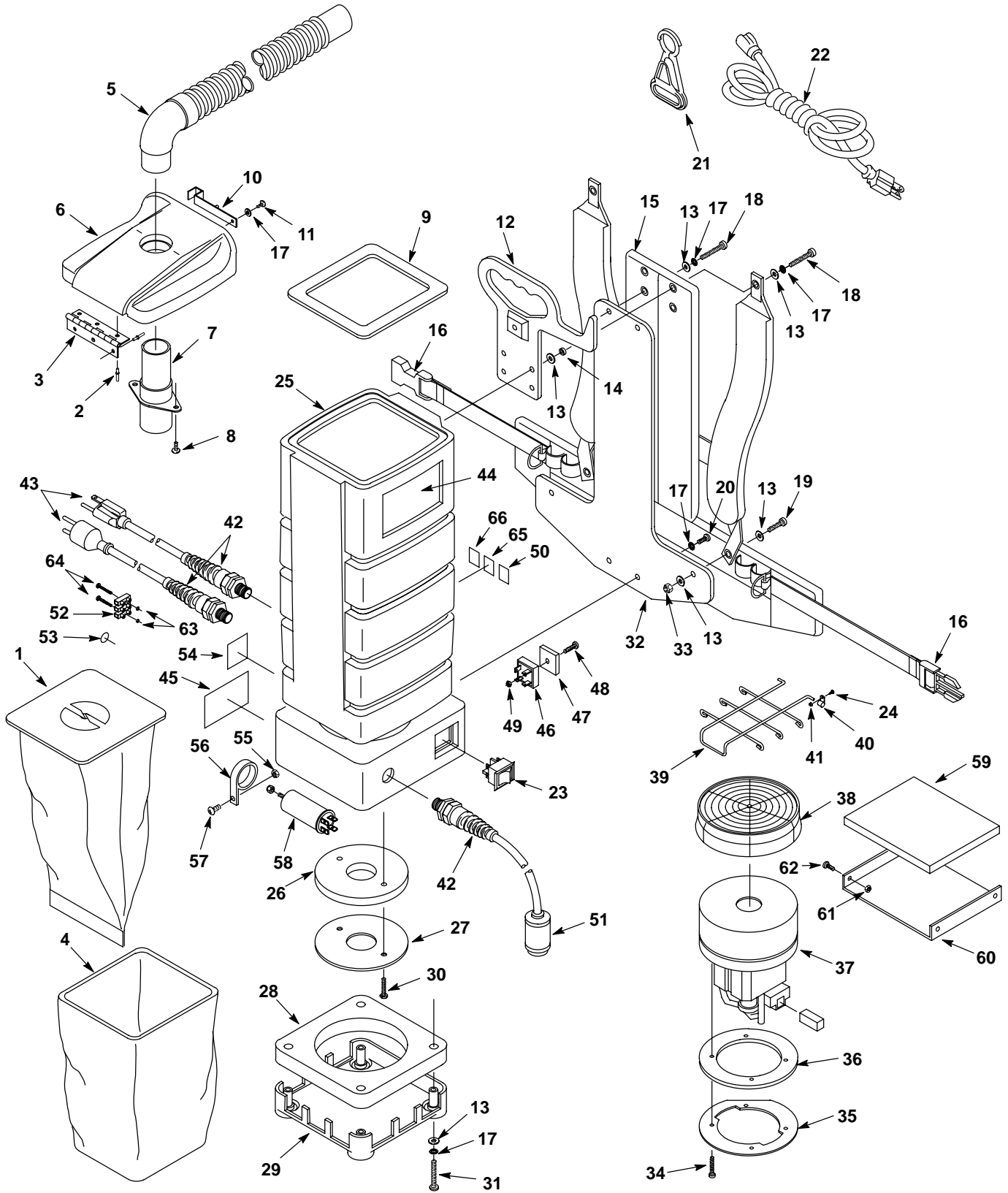
240V EMC MODEL LADDER DIAGRAM



REF LEGEND

- BLK = Black
- BRN = Brown
- BLU = Blue
- WHT = White
- RED = Red
- M1 = Motor, Vacuum
- S1 = Switch, Main
- F1 = Filter

PARTS DIAGRAM
LISTA DE PIEZAS



PARTS LIST
LISTA DE PIEZAS

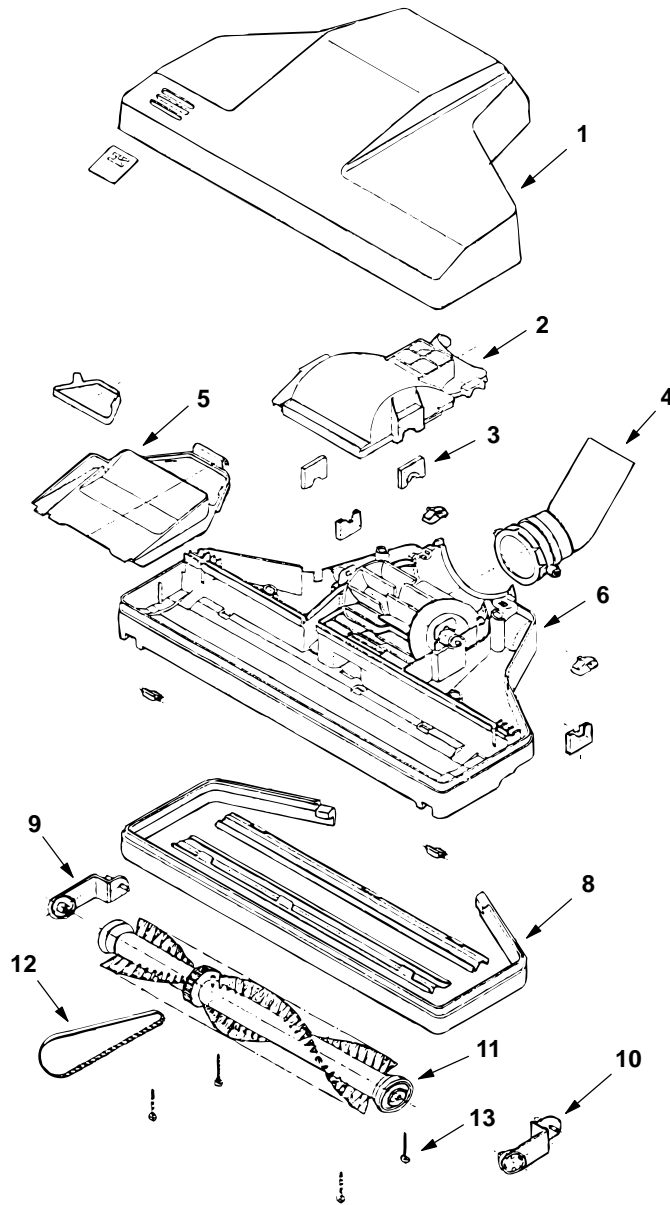
REF	PART #	DESCRIPTION	QTY.
1	900027	●BAG, CLOTH	1
	603373	●BAG, PAPER (10 BAGS)	1
2	609264	RIVET, POP	6
3	230861	HINGE, COVER	1
4	603463	●BAG, SECONDARY FILTER	1
5	603259	●HOSE, 1.5X50" 90° CUFF	1
6	607753	COVER, TEAL	1
7	160485	ADAPTER, HOSE	1
8	140197	SCREW, 10-24X3/8	2
9	102558	●GASKET, COVER	1
10	605016	LATCH, COVER	1
11	604930	SCREW, M5X.8X10	1
12	230415	HANDLE	1
13	140011	WASHER, FLAT	16
14	140149	BUSHING	2
15	603403	ASM., HARNESS	1
16	140939	BUCKLE, BELT	1
17	140018	WASHER, LOCK	11
18	140196	SCREW, 10-24X1	4
19	140900	SCREW, 10-24X3/4	2
20	140890	SCREW, 10-24X1/2	2
21	130176	●STRAIN RELIEF (BELT CLIP)	1
22	130246	●CORD, 18/3X50' 120V (3000 MODEL)	1
	130250	●CORD, 16/3X50' 120V (3040 & 3050 MODEL)	1
23	602669	●SWITCH, ROCKER (120V)	1
	602670	●SWITCH, ROCKER (230V/240V)	1
24	140758	SCREW, 8-32X1/2	2
25	607755	HOUSING, TEAL	1
26	102525	FOAM, SOUND DEADENING	1
27	230520	PLATE, BAFFLE	1
28	180639	●FILTER, VAC MOTOR	1
29	230785	●PLATE, BASE	1
30	140751	SCREW, 10-32X1/2	2
31	140899	SCREW, 10-24X1 1/4	4
32	603086	PLATE, BACK	1
33	140552	NUT, NYLOCK	2
34	140750	SCREW, 10-24X1 3/4	4
35	230639	RING, W/TAB	1
36	100122	●GASKET, VAC MOTOR	1

REF	PART #	DESCRIPTION	QTY.
37	130418	●MOTOR, VAC 120V (3000 MODEL)	1
	190155	●BRUSH, CARBON (130418 MOTOR) – 2/PK	2
	130483	●MOTOR, VAC 120V (3040 & 3050 MODEL)	1
	190160*	●BRUSH, CARBON (130483 MOTOR) – 2/PK	2
	130412	●MOTOR, VAC 230V/240V (3050 MODEL)	1
	190159	●BRUSH, CARBON (130412 MOTOR) – 2/PK	2
38	180626	●FILTER, VAC MOTOR	1
39	230868	SUPPORT, WIRE BAG	1
40	140326	CLAMP	2
41	28990	NUT, LOCK	2
42	130166	●CORD GRIP	2
43	130201	●CORD, 16/3X28" 120V W/CORD GRIP	1
	600398	●CORD, 3X1.0MM2X12M 230V/240V W/O CORD GRIP	1
44	608128	DECAL, "3000"	2
	609935	DECAL, "3040"	2
	608142	DECAL, "3050"	2
45	602595	DECAL, WARNING	1
46	130311	KIT, RECTIFIER/CARBON BRUSH (3040 MODEL)	1
47	230931	PLATE, HEAT SINK (3040 MODEL)	1
48	140946	SCREW, 6-32X1 NY	1
49	140534	NUT, HEX 6-32 NY	1
50	N/A	DECAL, CRI	1
51	603401	●PIGTAIL W/TWISTLOCK (3050 MODEL)	1
52	130005	STRIP, TERMINAL 25AMP (EMC MODEL)	1
53	578859	DECAL, GROUND SYMBOL (EMC MODEL)	1
54	578729	DECAL, READ MANUAL	1
55	140552	NUT, NYLOCK (EMC MODEL)	1
56	600749	CLAMP (EMC MODEL)	1
57	140823	SCREW, 10-24X5/8 (EMC MODEL)	1
58	600383	FILTER, RFI (EMC MODEL)	1
59	606319	FILTER, FOAM (EMC MODEL)	1
60	606320	PLATE, BAG SUPPORT (EMC MODEL)	1
61	140066	NUT, NYLOCK (EMC MODEL)	4
62	590137	SCREW, 6-32X3/8 (EMC MODEL)	4
63	140534	NUT (EMC MODEL)	2
64	140946	SCREW, 6-32X1 (EMC MODEL)	2
65	N/A	DECAL, KEMA/KUER (EMC MODEL)	1
66	N/A	DECAL, CE (EMC MODEL)	1

● RECOMMENDED STOCK ITEMS/ARTICULOS RECOMENDADOS PARA MANTENER EN EXISTENCIA

*Model 3040 (120V-400HZ): Order #130311 Kit, Rectifier/Carbon Brush

**TURBO BRUSH ATTACHMENT
TURBO CEPILLO**



REF	PART #	DESCRIPTION	QTY.
▽	190900	●KIT, TURBO BRUSH ATTACHMENT	1
▲ 1	190915	COVER, COMPLETE	1
▲ 2	190916	HOUSING, TURBINE	1
▲ 3	190917	ELEMENT, ELASTIC	1
▲ 4	190918	ELBOW, SWIVEL COMPLETE	1
▲ 5	190919	FLAP, CLEANING	1
▲ 6	190920	IMPELLER	1

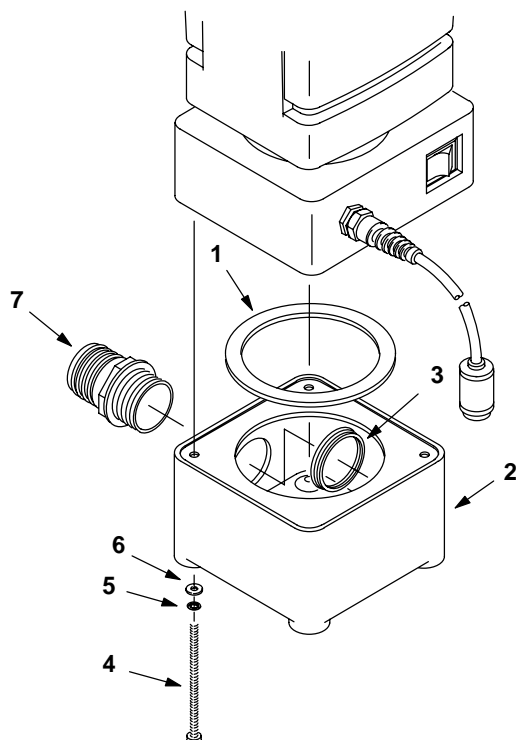
REF	PART #	DESCRIPTION	QTY.
▲ 7	190921	PLATE, BASE COMPLETE	1
▲ 8	190922	GUARD, BUMPER	1
▲ 9	190923	ARM, BRUSH RIGHT COMPLETE	1
▲ 10	190924	ARM, BRUSH LEFT COMPLETE	1
▲ 11	190925	ROLLER, BRUSH COMPLETE	1
▲ 12	190926	BELT, DRIVE	1
▲ 13	190927	SCREW	4

▽ ASSEMBLY / CONJUNTO

▲ INCLUDED IN ASSEMBLY / INCLUIDO EN EL CONJUNTO

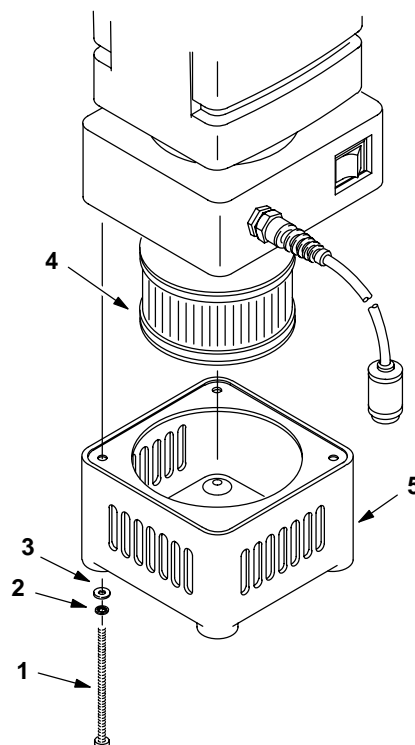
● RECOMMENDED STOCK ITEMS / ARTICULOS RECOMENDADOS PARA MANTENER EN EXISTENCIA

BLOWER ATTACHMENT KIT
EQUIPO DE ACCESORIOS DE SOPLADO



REF	PART #	DESCRIPTION	QTY.
▽	190939	●KIT, BLOWER ATTACHMENT	1
▲ 1	102559	GASKET, BLOWER	1
▲ 2	100404	HOUSING, BLOWER ATTACHMENT	1
▲ 3	210240	NUT, FLANGED	1
▲ 4	140755	SCREW, 10-24X4 1/2	4
▲ 5	140018	WASHER, LOCK	4
▲ 6	140011	WASHER, FLAT	4
▲ 7	611069	HOSE BARB	1

H.E.P.A. FILTER ATTACHMENT KIT
EQUIPO DE ACCESORIO FILTRO H.E.P.A.



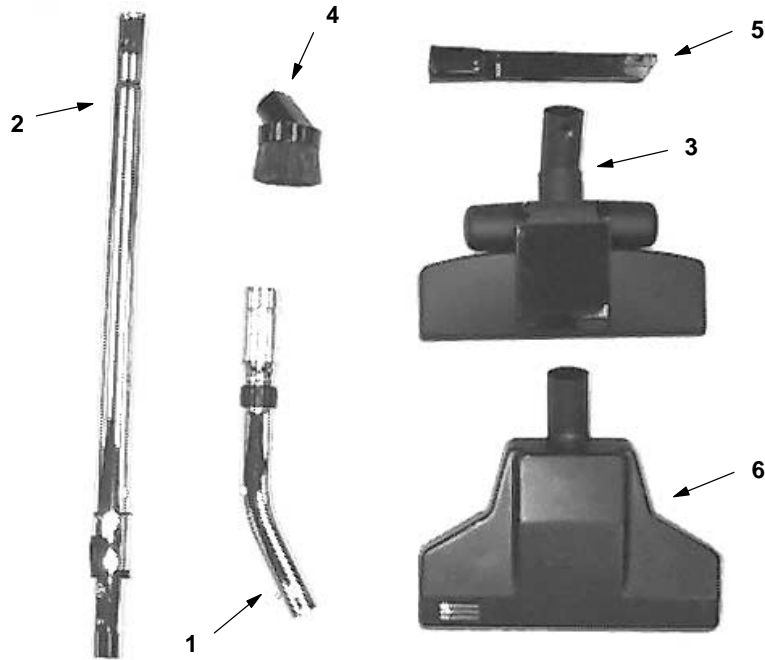
REF	PART #	DESCRIPTION	QTY.
▽	190938	●KIT, H.E.P.A. FILTER ATTACHMENT	1
▲ 1	140755	SCREW, 10-24X4 1/2	4
▲ 2	140018	WASHER, LOCK	4
▲ 3	140011	WASHER, FLAT	4
▲ 4	230786	FILTER, H.E.P.A.	1
▲ 5	100403	HOUSING, H.E.P.A. ATTACHMENT	1

▽ ASSEMBLY / CONJUNTO

▲ INCLUDED IN ASSEMBLY / INCLUIDO EN EL CONJUNTO

● RECOMMENDED STOCK ITEMS / ARTICULOS RECOMENDADOS PARA MANTENER EN EXISTENCIA

**ATTACHMENT TOOL KIT
CAJA DE HERRAMIENTAS**



REF	PART #	DESCRIPTION	QTY.
∇	190910	●KIT, DELUXE ATTACHMENT TOOL (INCLUDES 1-6)	1
▲∇	610988	●KIT, STANDARD ATTACHMENT TOOL (INCLUDES 1-5)	1
▲ 1	190902	HOSE END, CHROME	1
▲ 2	605587	WAND, TELESCOPIC	1

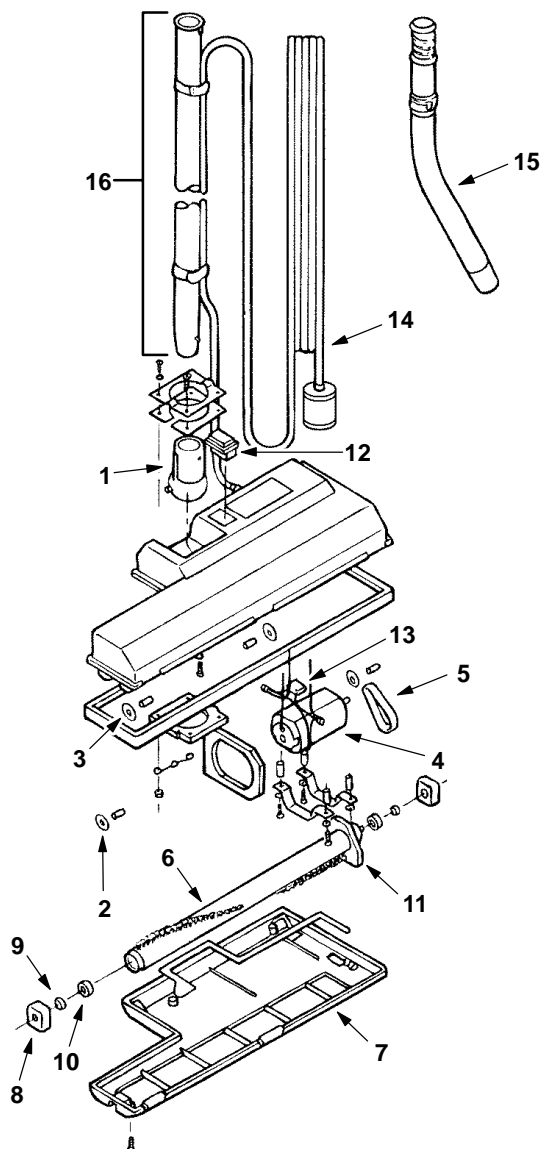
REF	PART #	DESCRIPTION	QTY.
▲ 3	605588	TOOL, CARPET & FLOOR	1
▲ 4	190715	BRUSH, DUSTING	1
▲ 5	190714	TOOL, CREVICE	1
▲ 6	190900	BRUSH, TURBO (OPTIONAL)	1

∇ ASSEMBLY / CONJUNTO

▲ INCLUDED IN ASSEMBLY / INCLUIDO EN EL CONJUNTO

● RECOMMENDED STOCK ITEMS / ARTICULOS RECOMENDADOS PARA MANTENER EN EXISTENCIA

ELECTRIC POWER BRUSH ATTACHMENT (3050 – 120V model only)
ASSESORIO DE CEPILLO PARA CORRIENTE ELECTRICO



REF	PART #	DESCRIPTION	QTY.
▽	603407	●ELECTRIC POWER BRUSH ATTACHMENT (3050 – 120V MODEL ONLY)	1
▲ 1	605498	BALL, KNUCKLE	1
▲ 2	605499	WHEEL, FRONT	1
▲ 3	605500	WHEEL, REAR	1
▲ 4	605501	MOTOR, 115V	1
▲ 5	605502	BELT	1
▲ 6	605503	ASM., BRUSH	1
▲ 7	605504	ASM., BASE PLATE	1

REF	PART #	DESCRIPTION	QTY.
▲ 8	52556	BEARING, BLOCK	1
▲ 9	605505	SEAL, DUST FELT	1
▲ 10	605506	BEARING, BALL	1
▲ 11	605507	SEAL, FIBER	1
▲ 12	605508	SWITCH, ON/OFF	1
▲ 13	605509	CAPACITOR	1
▲ 14	603512	CORD, EXTENSION	1
▲ 15	190902	ELBOW, CURVED W/BUTTON	1
▲ 16	606164	WAND, BUTTON LOCK	1

▽ ASSEMBLY / CONJUNTO

▲ INCLUDED IN ASSEMBLY / INCLUIDO EN EL CONJUNTO

● RECOMMENDED STOCK ITEMS / ARTICULOS RECOMENDADOS PARA MANTENER EN EXISTENCIA