



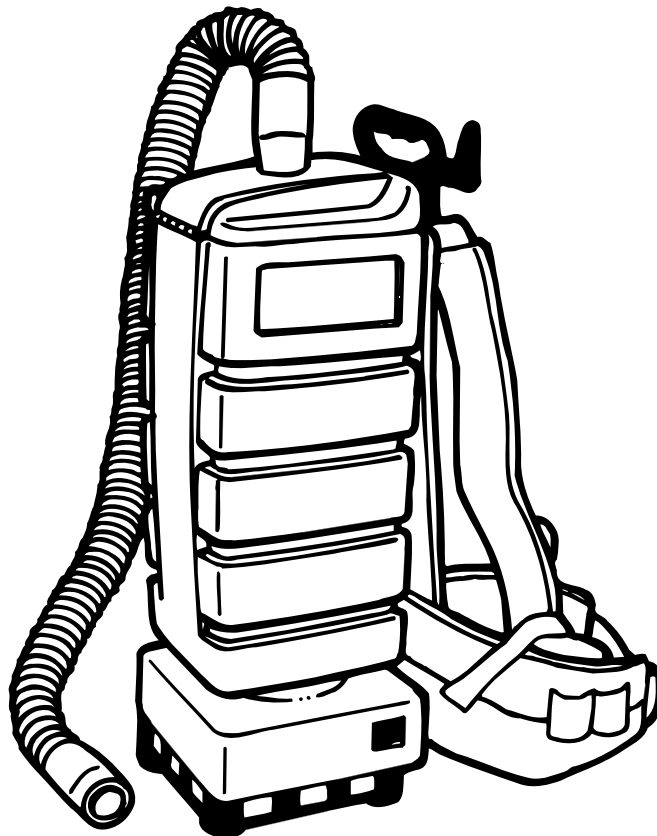
3000/3040/3050

Portable Dry Vacuum
Aspiradora Ligera Transportable en la Espalda

Model No.:

- 607757 - 3000
- 609209 - 3040 (120V/400HZ)
- 607751 - 3050 (120V)
- 609380 - 3050 (230V)
- 609694 - 3050 (240V EMC)

**Operator and Parts Manual Manual
de Operación y de Piezas**

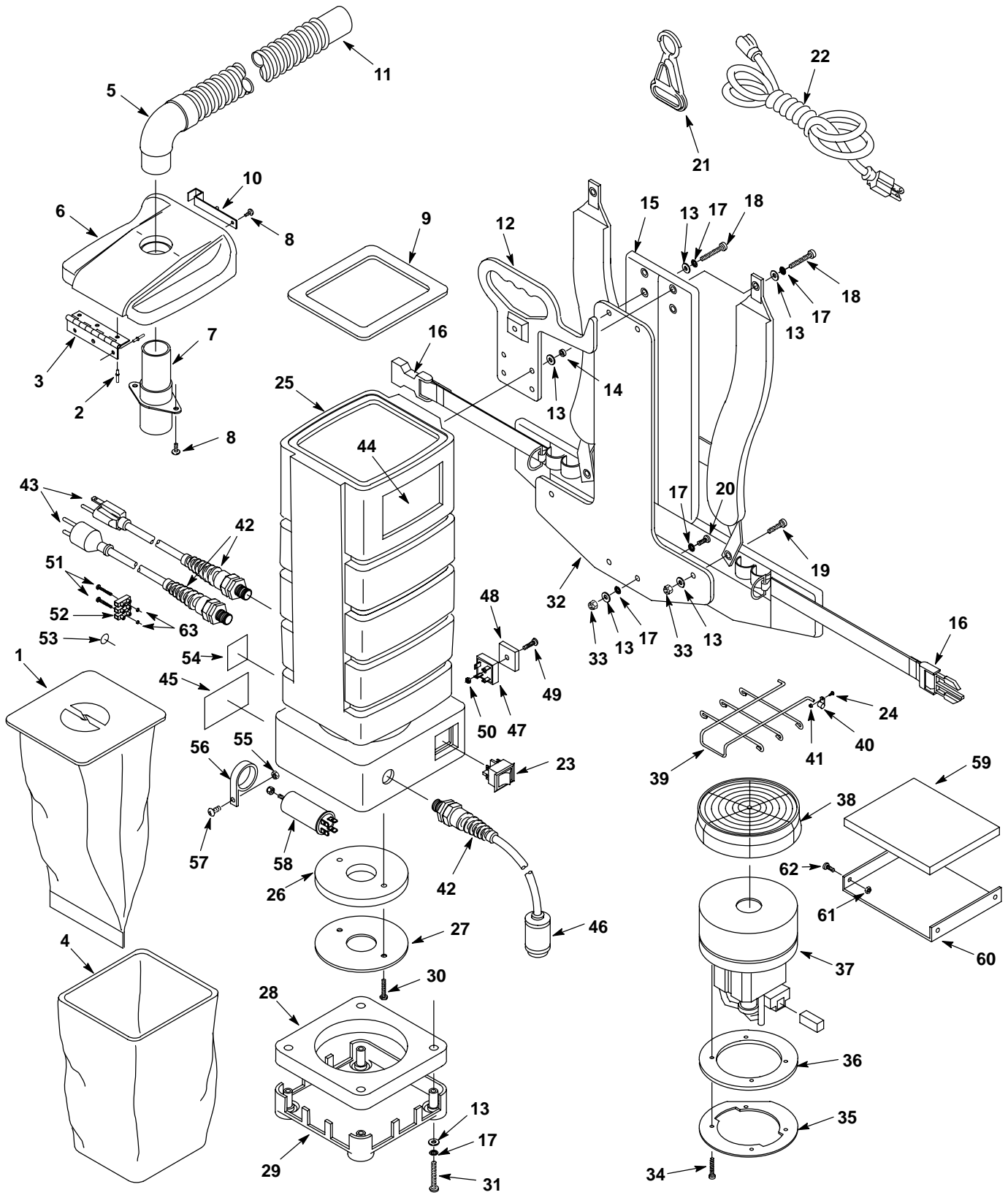


TENNANT COMPANY
Commercial Products
12875 RANSOM STREET
HOLLAND MI 49424 U.S.A.

FAX: 1-800-678-4240
CUSTOMER SERVICE: 1-800-982-7658
OUTSIDE U.S. : 1-616-786-2330

607752
Rev. 01 (01-00)

PARTS DIAGRAM
LISTA DE PIEZAS



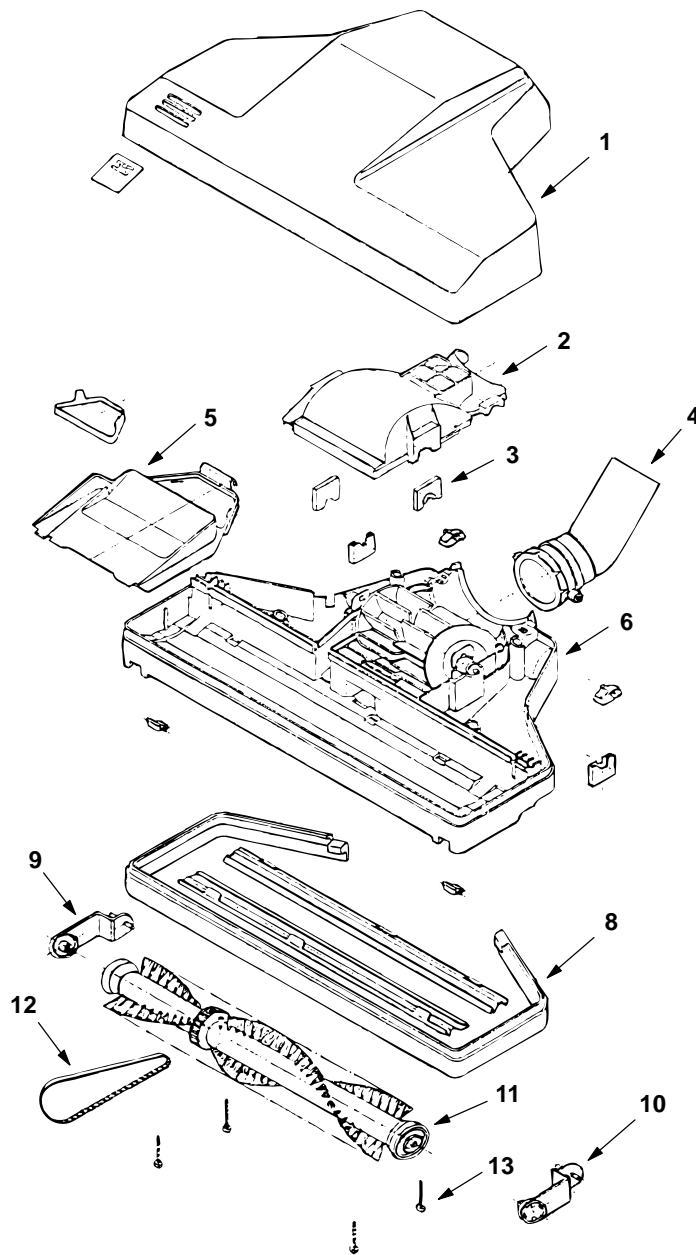
**PARTS LIST
LISTA DE PIEZAS**

REF	PART #	DESCRIPTION	QTY.
1	900027	BAG, CLOTH	1
	900005	BAG, ENVIRO—GENERIC PK=10 (PAPER)	1
2	140706	RIVET, POP	6
3	230861	HINGE, COVER	1
4	603463	BAG, SECONDARY FILTER	1
5	603259	HOSE, 1.5X50" 90° CUFF	1
6	607753	COVER, TEAL	1
7	160485	ADAPTER, HOSE	1
8	140197	SCREW, 10–24X3/8	3
9	102558	GASKET, COVER	1
10	230617	LATCH, COVER	1
11	160486	CUFF, HOSE	1
12	230415	HANDLE	1
13	140011	WASHER, FLAT	16
14	140149	BUSHING	2
15	603403	ASM., HARNESS	1
16	140939	BUCKLE, BELT	1
17	140018	WASHER, LOCK	10
18	140196	SCREW, 10–24X1	4
19	140900	SCREW, 10–24X3/4	2
20	140890	SCREW, 10–24X1/2	2
21	130176	STRAIN RELIEF (BELT CLIP)	1
22	130246	CORD, 18/3X50' 120V (3000 & 3040)	1
	130250	CORD, 16/3X50' 120V (3050)	1
23	602669	SWITCH, ROCKER (120V)	1
	602670	SWITCH, ROCKER (230V/240V)	1
24	140758	SCREW, 8–32X1/2	2
25	607755	HOUSING, TEAL	1
26	102525	FOAM, SOUND DEADENING	1
27	230520	PLATE, BAFFLE	1
28	180639	FILTER, VAC MOTOR	1
29	230785	PLATE, BASE	1
30	140751	SCREW, 10–32X1/2	2
31	140899	SCREW, 10–24X1 1/4	4
32	603086	PLATE, BACK	1
33	140552	NUT, NYLOCK	4
34	140750	SCREW, 10–24X1 3/4	4
35	230639	RING, W/TAB	1
36	100122	GASKET, VAC MOTOR	1

REF	PART #	DESCRIPTION	QTY.
37	130418*	MOTOR, VAC 120V (3000 & 3040)	1
	190155*	BRUSH, CARBON (130418) – 2/PK	2
	130483	MOTOR, VAC 120V (3050)	1
	190160	BRUSH, CARBON (130483) – 2/PK	2
	130412	MOTOR, VAC 230V/240V (3050)	1
	190159	BRUSH, CARBON (130412) – 2/PK	2
38	180626	FILTER, VAC MOTOR	1
39	230868	SUPPORT, WIRE BAG	1
40	140326	CLAMP	2
41	28990	NUT, LOCK	2
42	130166	CORD GRIP	2
43	130201	CORD, 16/3X28" 120V W/CORD GRIP	1
	600398	CORD, 18/3X50' 230V/240V W/O CORD GRIP	1
44	608128	DECAL, "3000"	1
	608160	DECAL, "3040"	1
	608142	DECAL, "3050"	1
45	602595	DECAL, WARNING	1
46	603401	PIGTAIL W/TWISTLOCK (3050)	1
47	130311	KIT, RECTIFIER/CARBON BRUSH (3040)	1
48	230931	PLATE, HEAT SINK (3040)	1
49	140311	SCREW, 10–24X1	1
50	N/A	NUT, HEX	1
51	140946	SCREW, 6–32X1 (EMC MODEL)	2
52	130005	STRIP, TERMINAL 25AMP (EMC MODEL)	1
53	578859	DECAL, GROUND SYMBOL (EMC MODEL)	1
54	578729	DECAL, READ MANUAL	1
55	140552	NUT, NYLOCK (EMC MODEL)	1
56	600749	CLAMP (EMC MODEL)	1
57	140823	SCREW, 10–24X5/8 (EMC MODEL)	1
58	600383	FILTER, RFI (EMC MODEL)	1
59	606319	FILTER, FOAM (EMC MODEL)	1
60	606320	PLATE, BAG SUPPORT (EMC MODEL)	1
61	140066	NUT, NYLOCK (EMC MODEL)	4
62	590137	SCREW, 6–32X3/8 (EMC MODEL)	4
63	140534	NUT (EMC MODEL)	2

*Model 3040 (120V-400HZ): Order #130311 Kit, Rectifier/Carbon Brush

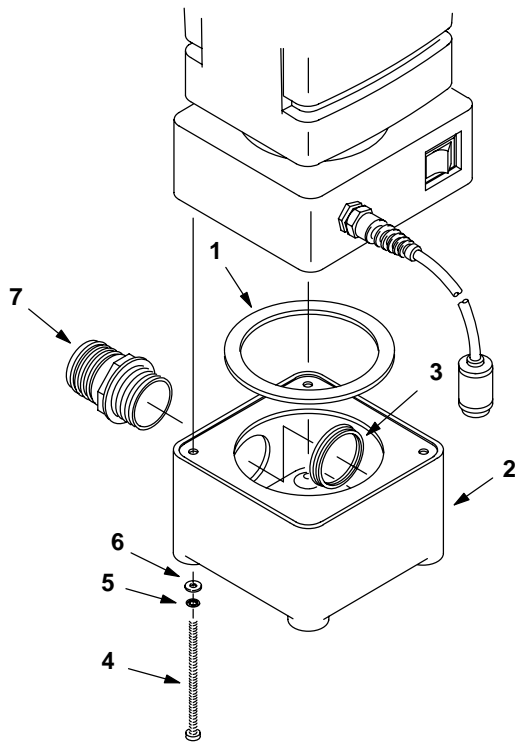
**TURBO BRUSH ATTACHMENT
TURBO CEPILLO**



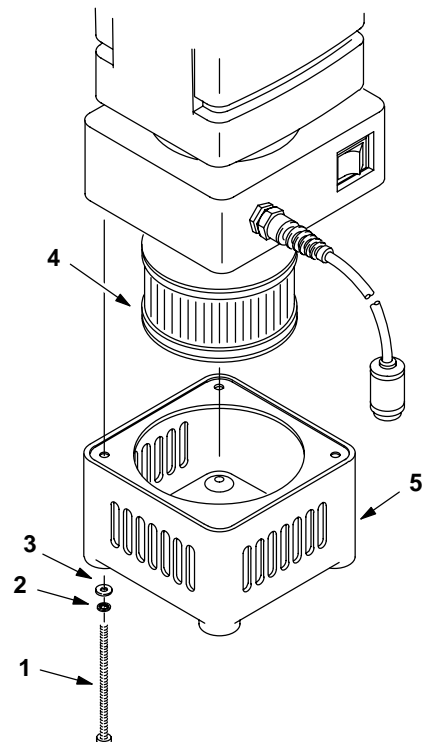
REF	PART #	DESCRIPTION	QTY.
	190900	KIT, TURBO BRUSH ATTACHMENT	1
1	190915	COVER, COMPLETE	1
2	190916	HOUSING, TURBINE	1
3	190917	ELEMENT, ELASTIC	1
4	190918	ELBOW, SWIVEL COMPLETE	1
5	190919	FLAP, CLEANING	1
6	190920	IMPELLER	1

REF	PART #	DESCRIPTION	QTY.
7	190921	PLATE, BASE COMPLETE	1
8	190922	GUARD, BUMPER	1
9	190923	ARM, BRUSH RIGHT COMPLETE	1
10	190924	ARM, BRUSH LEFT COMPLETE	1
11	190925	ROLLER, BRUSH COMPLETE	1
12	190926	BELT, DRIVE	1
13	190927	SCREW	4

BLOWER ATTACHMENT KIT
EQUIPO DE ACCESORIOS DE SOPLADO



H.E.P.A. FILTER ATTACHMENT KIT
EQUIPO DE ACCESORIO FILTRO H.E.P.A.



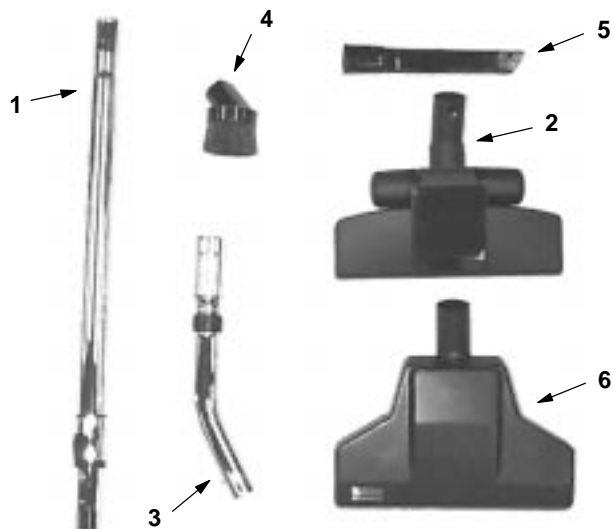
BLOWER ATTACHMENT KIT

REF	PART #	DESCRIPTION	QTY.
	190939	KIT, BLOWER ATTACHMENT	1
1	102559	GASKET, BLOWER	1
2	100404	HOUSING, BLOWER ATTACHMENT	1
3	210240	NUT, FLANGED	1
4	140755	SCREW, 10-24X4 1/2	4
5	140018	WASHER, LOCK	4
6	140011	WASHER, FLAT	4
7	25202	HOSE BARB	1

H.E.P.A. FILTER ATTACHMENT KIT

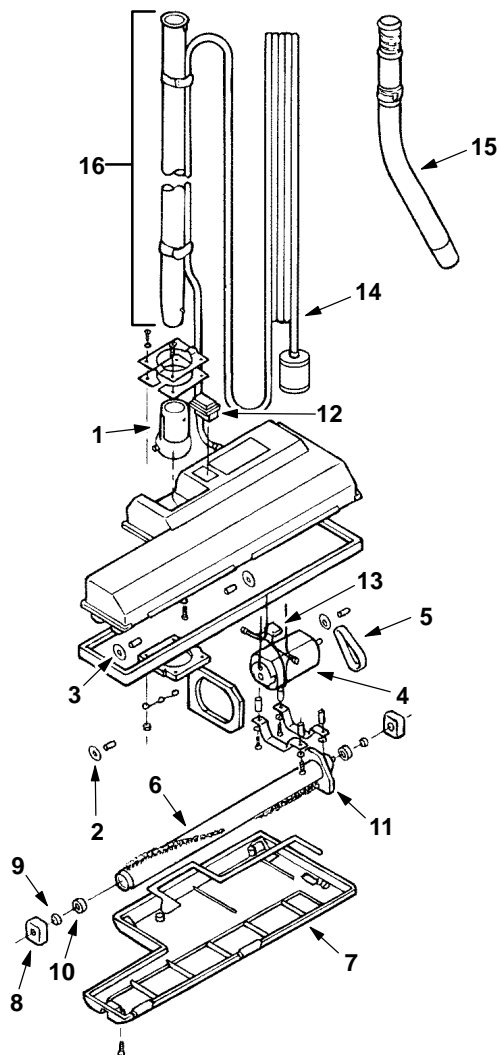
REF	PART #	DESCRIPTION	QTY.
	190938	KIT, H.E.P.A. FILTER ATTACHMENT	1
1	140755	SCREW, 10-24X4 1/2	4
2	140018	WASHER, LOCK	4
3	140011	WASHER, FLAT	4
4	230786	FILTER, H.E.P.A.	1
5	100403	HOUSING, H.E.P.A. ATTACHMENT	1

**ATTACHMENT TOOL KIT
CAJA DE HERRAMIENTAS**



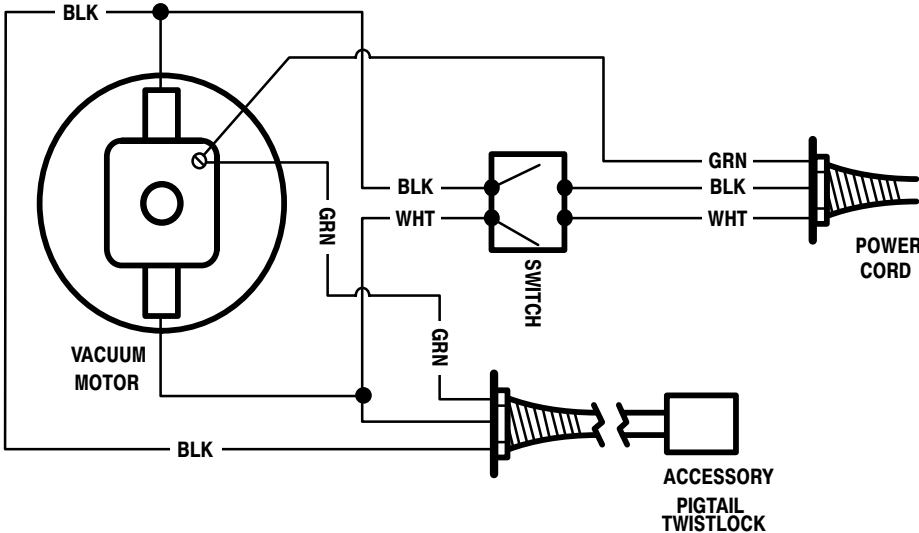
REF	PART #	DESCRIPTION	QTY.
	190907	KIT, STANDARD ATTACHMENT TOOL (includes 1-5)	1
	190910	KIT, DELUXE ATTACHMENT TOOL (includes 1-6)	1
1	605587	WAND, EXTENDABLE	1
2	605588	TOOL, CARPET & FLOOR	1
3	190902	HOSE, CHROME ATTACHMENT	1
4	190715	BRUSH, DUSTING	1
5	190714	TOOL, CREVICE	1
6	190900	BRUSH, TURBO (OPTIONAL)	1

**ELECTRIC POWER BRUSH ATTACHMENT
W/TWIST PLUG (for 120V 3050 model only)**

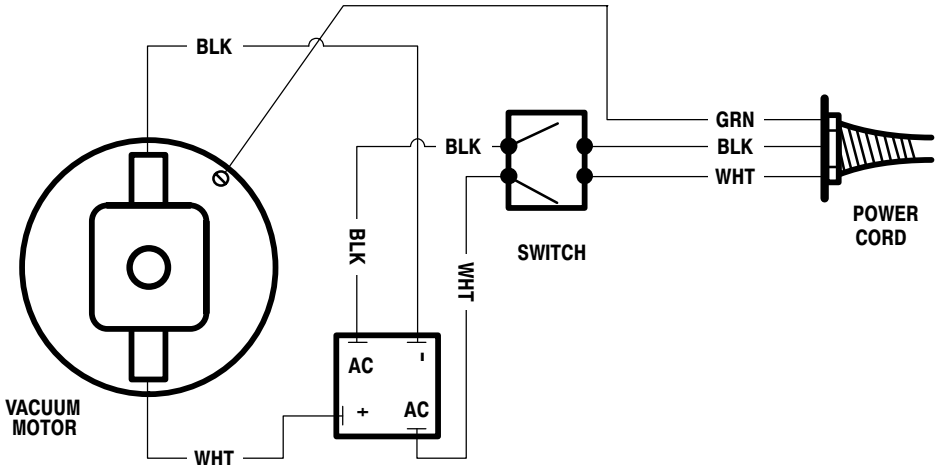


REF	PART #	DESCRIPTION	QTY.
	603407	ELECTRIC POWER BRUSH ATTACHMENT	1
1	52548	BALL, KNUCKLE	1
2	52549	WHEEL, FRONT	1
3	52551	WHEEL, REAR	1
4	52552	MOTOR, 115V	1
5	52553	BELT	1
6	52554	ASM., BRUSH	1
7	52555	ASM., BASE PLATE	1
8	52556	BEARING, BLOCK	1
9	52557	SEAL, DUST FELT	1
10	52558	BEARING, BALL	1
11	52559	SEAL, FIBER	1
12	52560	SWITCH, ON/OFF	1
13	52561	CAPACITOR	1
14	603512	CORD, PIGTAIL	1
15	56714	ELBOW, CURVED W/BUTTON 1-1/4"	1
16	606164	WAND, BUTTON LOCK	1

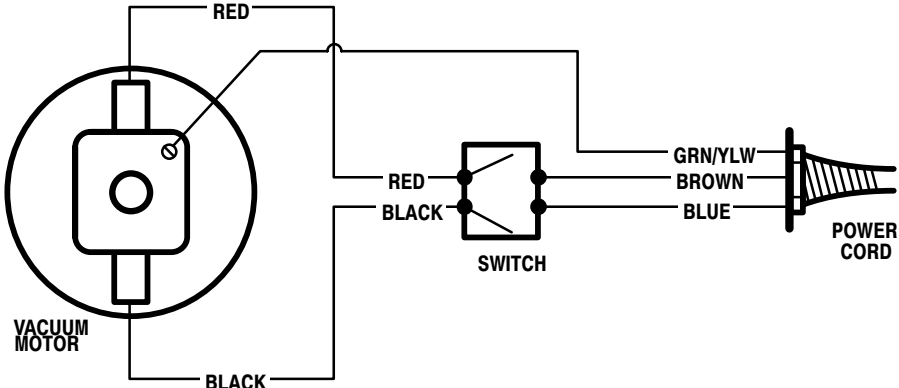
120V WIRING DIAGRAM



120V 400 Hz WIRING DIAGRAM

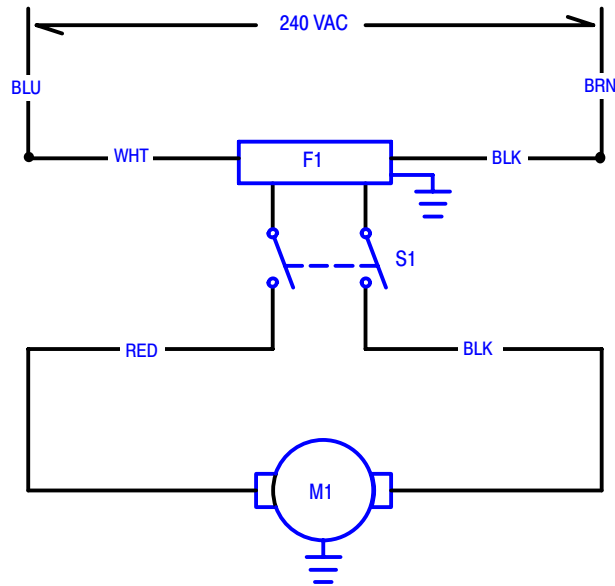


230V WIRING DIAGRAM



WIRING DIAGRAM DIAGRAMA DE CABLEADO

240V EMC MODEL LADDER DIAGRAM



REF LEGEND

- BLK = Black
- BRN = Brown
- BLU = Blue
- WHT = White
- RED = Red
- M1 = Motor, Vacuum
- S1 = Switch, Main
- F1 = Filter