

# **EZ RIDER™ HP**

Rider Scrubber

**NEW  
FEATURES!**



 **NOBLES™**  
machines that thirst for dirt™

# **EZ RIDER™ HP**

## **A Small Rider Scrubber with a Big Appetite**

The Nobles EZ Rider™ HP cleans hard floors like no other scrubber. Its 28-inch or 32-inch cleaning paths and compact frame can clean many of the same areas that traditional walk-behind scrubbers do while achieving a higher level of productivity. This riding scrubber's superior maneuverability allows the operator to turn 180° within a six-foot-wide aisle. Whether it's scrubbing floors through door jambs or down narrow aisle-ways, the EZ Rider™ HP is sure meet your floor cleaning challenges.



*Save time and money by cleaning through doorways effortlessly from one hard surface to the next.*

### **High Productivity**

This high performance rider scrubber cleans up to 49,300 ft<sup>2</sup> per hour (32-inch model) and is perfect for environments like warehouses and manufacturing plants, retail, schools, universities, and hospitals. Increase cleaning productivity up to 30% over most walk-behind scrubbers with the EZ Rider™ HP scrubber. Enjoy longer run time between dump/refill cycles with the optional ES™ Solution Recycling.

### **Comfortable Operation**

Compact in size, the EZ Rider™ HP scrubber is big in operator comfort and safety. The easy-to-use control panel makes this scrubber user-friendly to even first-time operators. As a result, driver fatigue and stress are dramatically reduced.

### **Disc or Cylindrical Capability**

Choose either the dual disc brush model to clean smooth surfaces or the dual cylindrical brush style for scrubbing areas where pre-sweeping may be needed. Clean floors with variable down pressure from 0-200 lbs. (disc version) for daily or heavy scrubbing applications.



### **Solid Construction**

Engineered for long term use, the EZ Rider™ HP has a rugged rotationally molded polyethylene body that won't rust, chip, dent or crack, and is backed by a solid warranty. Some unique features on the EZ Rider™ HP include a patented parabolic breakaway squeegee and a large 45-gallon recovery tank with built-in demisting chamber.

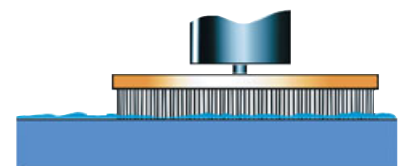
Like all Nobles machines, they're built with the rugged durability and quality that you expect, for years of reliable use. For more information on the Nobles EZ Rider™ HP scrubber contact your local authorized Nobles distributor.



*The scrubbers low noise level allows the operator to clean in noise sensitive areas like schools and hospitals.*



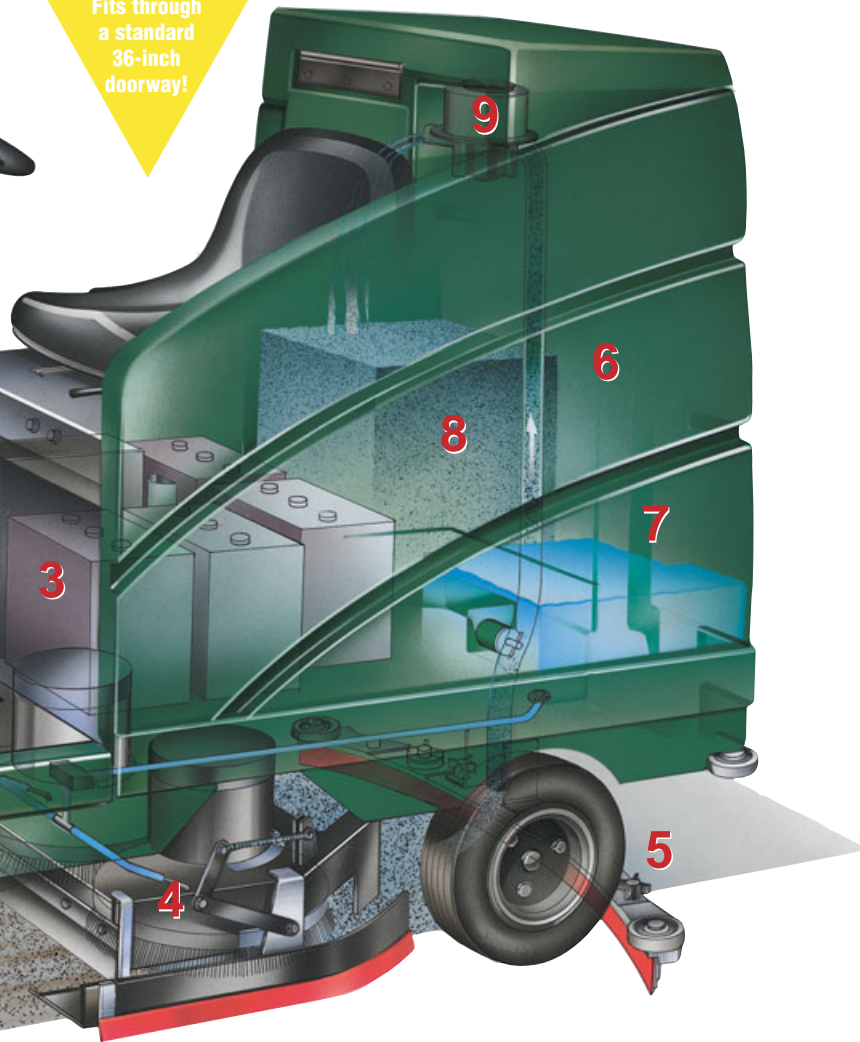
*Use the EZ Rider™ HP in grocery or retail stores for scrubbing down congested aisles or between displays.*



*Choose disc brushes for smooth floors without debris. Adjustable down-pressure allows two high-speed brushes to dislodge stubborn grime or clean lightly over sensitive surfaces.*

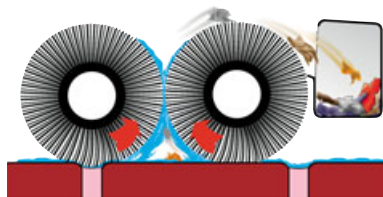


Fits through a standard 36-inch doorway!



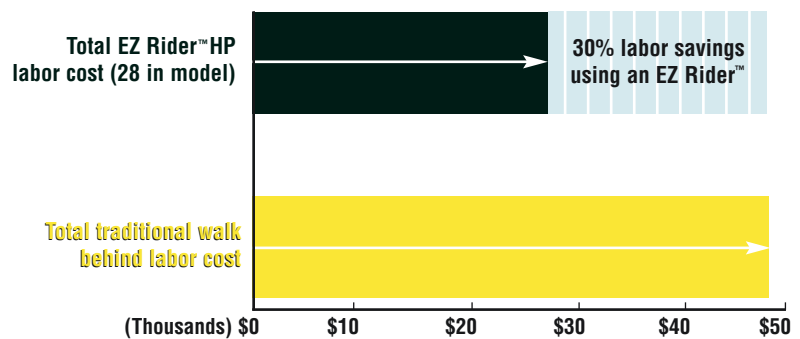
## KEY FEATURES

1. Simple control panel makes the EZ Rider™ HP user-friendly to even first time operators.
2. Compact size allows operator to clean through a standard 36-inch doorway. (28-inch model)
3. 36 volt battery system allows for over 3-hours of continuous operation on a single charge.
4. Available in two cleaning widths (28 & 32-inch) with disc or cylindrical scrub systems.
5. Patented parabolic breakaway squeegee assembly prevents damaging walls and squeegee.
6. Large 30-gallon solution system delivers even dispersal.
7. Convenient rear drain hose allows the operator to easily dispose recovered water.
8. Large 45-gallon recovery tank employs a built-in demisting chamber for foam control.
9. Powerful 3-stage vacuum motor ensures optimal water retrieval.



Choose the cylindrical scrub brush head for floors with occasional debris, or for tile surfaces. It simultaneously scrubs and picks up small debris.

### Labor Savings Over 3 Years EZ Rider™ HP vs Traditional Walk Behind



# EZ RIDER™ HP

## Rider Scrubber

### Scrubbing System

Cleaning Paths: 28 in/71 cm and 32 in/ 81 cm

Max Coverage Rate 28 in: 43,120 ft<sup>2</sup>/hr/4,005 m<sup>2</sup>/hr

Max Coverage Rate 32 in: 49,300 ft<sup>2</sup>/hr/4,580 m<sup>2</sup>/hr

Solution Tank Capacity: 30 gal/114 L

Recovery Tank with Demisting Chamber: 45 gal/170 L

Brush System (2)

Pad Diameter (Disc/Cylindrical): 14 in/36 cm, 6 in/7.5 cm

Speed (Disc/Cylindrical): 320/750 rpm

Brush Motor: 0.5 hp/.37 kW

Solution Flow (variable to): 1.75 gpm/6.6 L/min

Brush Pressure-Disc (variable to): 0-200 lbs./0-91 Kg

### Battery System

Battery Description: 36volt system, 244 AH

Maximum Run Time Per Charge: 3 hrs

### Standard Accessories (included with scrubber):

Hour meter, safety seat switch, adjustable seat, low battery shut down, parking brake, variable solution control, emergency shut down switch

### Optional Accessories (sold separately):

Quick-Mop™, ES™ solution recycling, heavy duty .75 hp (.56 kW) brush motors, non-marking rear tires, back-up alarm and light, linatex blades

### Drive System

Maximum Transport Speed: 4 mph/6.4 km/h

Forward Speed (working speed): 0-3.5 mph/0-5.6 km/h

Reverse Speed: 0-2 mph/0-3.2 km/h

Propelling Motor: 1.4 hp/1.04 kW

Transport Gradeability: 11 deg/19%

Scrubbing Gradeability: 4 deg/7%

Minimum Turning Radius: 72.5 in/184 cm

### Vacuum System

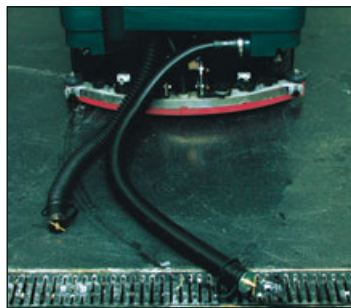
Vacuum Motor: 3 stage, .8 hp/.6 kW

Sealed Water Lift: 70 in/178 cm

Machine Noise Level: 72 dB(A)



Breakaway squeegee prevents damaging walls and squeegee.



Use the drop down drain hose to empty the solution recovery tank into floor drain or sink.



Simple control panel uses easy to read graphics for easy training and operation.



12875 Ransom Street • Holland, MI 49424  
Ph: (800) 522-7839 • Fax: (616) 786-2345  
Web Address: [www.nobles.com](http://www.nobles.com)  
Email: [noblesinfo@tenantco.com](mailto:noblesinfo@tenantco.com)

**Authorized Nobles® Distributor**