

Pacesetter™

13/17/20/17HD/20HD/20SD/20TS

Floor Machines



FACT SHEET



Whether stripping, scrubbing, screening, or bonnet cleaning, the Advance Pacesetter™ line of floor machines has a model to fit your needs and applications. Each of the four Pacesetter™ models is built with an all cast metal, chrome plated base. The heavy-duty construction and durability of the Pacesetter™ sets it above the competition.

All Pacesetter™ models have an ergonomic molded handle that protects the user's hands during operation along walls and around corners. A red safety-lock switch allows the operator to easily control when the machine goes into operation. An easy-to-use compression style lever changes the height adjustment of the handle for all operators. Pad holders are standard on the Pacesetter™, and the yellow, super-flex cord offers ease in cord handling and reduced tangling. A clear plastic hospital plug allows the operator to verify the electrical integrity of the connection at each use of the machine.

The **Pacesetter™ 13/17/20** is a 1.0 hp, 175 rpm machine available in 13,17 and 20 inch sizes. Dual capacitors provide an extra burst of power to the machine when needed for start-up or during operation, without overloading the electrical circuits in the facility.

At 1.5 hp, 175 rpm, the **Pacesetter™ HD** is also available in 17 and 20 inch sizes. A triple-planetary gear design lasts longer than other gear drives because of they do not develop a wear pattern. A sealed gear box requires no maintenance.

New to the line is the **Pacesetter™ 20SD** – a super duty 20 inch floor machine. For extreme duty, the 1.75 hp, 175 rpm machine also has the triple-planetary gear design for longer wear.

The **Pacesetter™ 20TS** is a two-speed floor machine with a 1.5 hp and a DC rectified motor. The two-speed machine runs at 180 and 320 rpm.

TYPICAL APPLICATIONS INCLUDE

- Supermarkets
- Schools and Universities
- Hospitals
- Office Buildings
- Hotels / Motels
- Heavy Manufacturing Plants

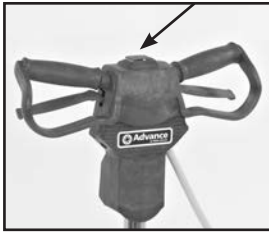
OPTIONAL ACCESSORIES INCLUDE

- A variety of brushes
- Level-set pad holder
- Splash guard
- Handle-mount solution tank
- Additional weight kit available



Advance Pacesetter™ 13/17/20/17HD/20HD/20SD/20TS

Floor Machines



Molded, ergonomic handle includes comfortable trigger levers and safety lock-out switch.



Easy to use handle height adjuster.

Safety activation switch on all models.

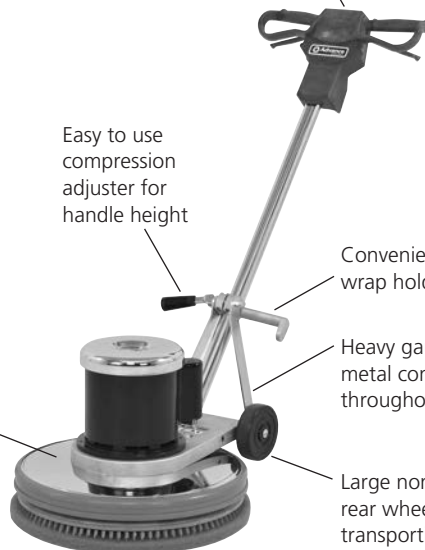
Easy to use compression adjuster for handle height

Convenient cord wrap holder

Heavy gauge metal construction throughout base

Large non-marking rear wheels make transporting easy

Base is cast metal and chrome plated for easy cleanup



Defining Cleaning Innovation...

- Our products are designed using innovative technology that increases productivity and drives down the cost to clean.
- You can get expert service and maintenance for your Advance machines from factory-trained personnel around the world. Fast parts delivery, too.
- Maintain peak performance with Nilfisk Genuine OEM Parts.

Nilfisk Genuine OEM Parts

13 in (33 cm), 17 in (43 cm) and 20 in (51 cm) pad or brush sizes

Technical Specifications

Model	Pacesetter™ 13	Pacesetter™ 17	Pacesetter™ 20	Pacesetter™ 17HD	Pacesetter™ 20HD	Pacesetter™ 20SD	Pacesetter™ 20TS
Pad / Brush Size	13 in (33 cm)	17 in (43.2 cm)	20 in (50.8 cm)	17 in (43.2 cm)	20 in (50.8 cm)	20 in (50.8 cm)	20 in (50.8 cm)
Pad Drive System							
Motor	1.0 hp AC	1.0 hp AC	1.0 hp AC	1.5 hp AC	1.5 hp AC	1.75 hp AC	1.5 hp DC Rectified
Horsepower							
Frame Size	66	66	66	66	66	66	66
Motor Amps	12.6 A	12.6 A	12.6 A	15 A	15 A	15 A	15 A
Capacitors	Dual, start and run	Dual, start and run	Dual, start and run	Dual, start and run	Dual, start and run	Dual, start and run	N/A
Motor Voltage	120 V	120 V	120 V	120 V	120 V	120 V	120 V
Revolutions Per Minute	175 rpm	175 rpm	175 rpm	175 rpm	175 rpm	175 rpm	180/320 rpm
Transmission	Dual planetary gears – all metal	Dual planetary gears – all metal	Dual planetary gears – all metal	Triple planetary gears – all metal	Triple planetary gears – all metal	Triple planetary gears – all metal	Triple planetary gears – all metal
Clutch Plate	NP 92 (industry standard)	NP 92 (industry standard)	NP 92 (industry standard)	NP 92 (industry standard)	NP 92 (industry standard)	NP 92 (industry standard)	NP 92 (industry standard)
Body Construction	All steel with chrome plated bell housing and handle shaft with compression style handle height adjustment. Includes rubber wheels for transportation. – ALL MODELS						
Machine Weight	81 lb (37 kg)	90 lb (41 kg)	93 lb (42 kg)	100 lb (45 kg)	102 lb (46 kg)	102 lb (46 kg)	87 lb (40 kg)
Power Cord	50 ft/ 15.25 m – ALL MODELS						
Length	50 ft/ 15.25 m – ALL MODELS						
Type	Safety Yellow Super-flex with hospital grade plug – ALL MODELS						
Operator Handle	Comfortable and solid handle with safety interlock activation preventing accidental start-up – ALL MODELS						
Noise Level	65 dB A	65 dB A	65 dB A	65 dB A	65 dB A	65 dB A	70 dB A
Approvals	ETL, CSA	ETL, CSA	ETL, CSA	ETL, CSA	ETL, CSA	ETL, CSA	ETL, CSA
Part Number	01282A	01290A	01370A	01330A	01410A	01460A	01440A

Specifications are subject to change without notice.



14600 21st Avenue North
Plymouth, MN 55447-3408
www.advance-us.com
Phone: 800-850-5559
Fax: 800-989-6566

240 Superior Boulevard
Mississauga, Ontario, Canada L5T 2L2
www.nilfisk-advance.ca
Phone: 905-564-1149 or 800-668-8400
Fax: 905-564-1030 or 800-263-5111

©2012, Nilfisk-Advance, Inc.,
Printed in U.S.A., Form L1826A 10-12



recyclable