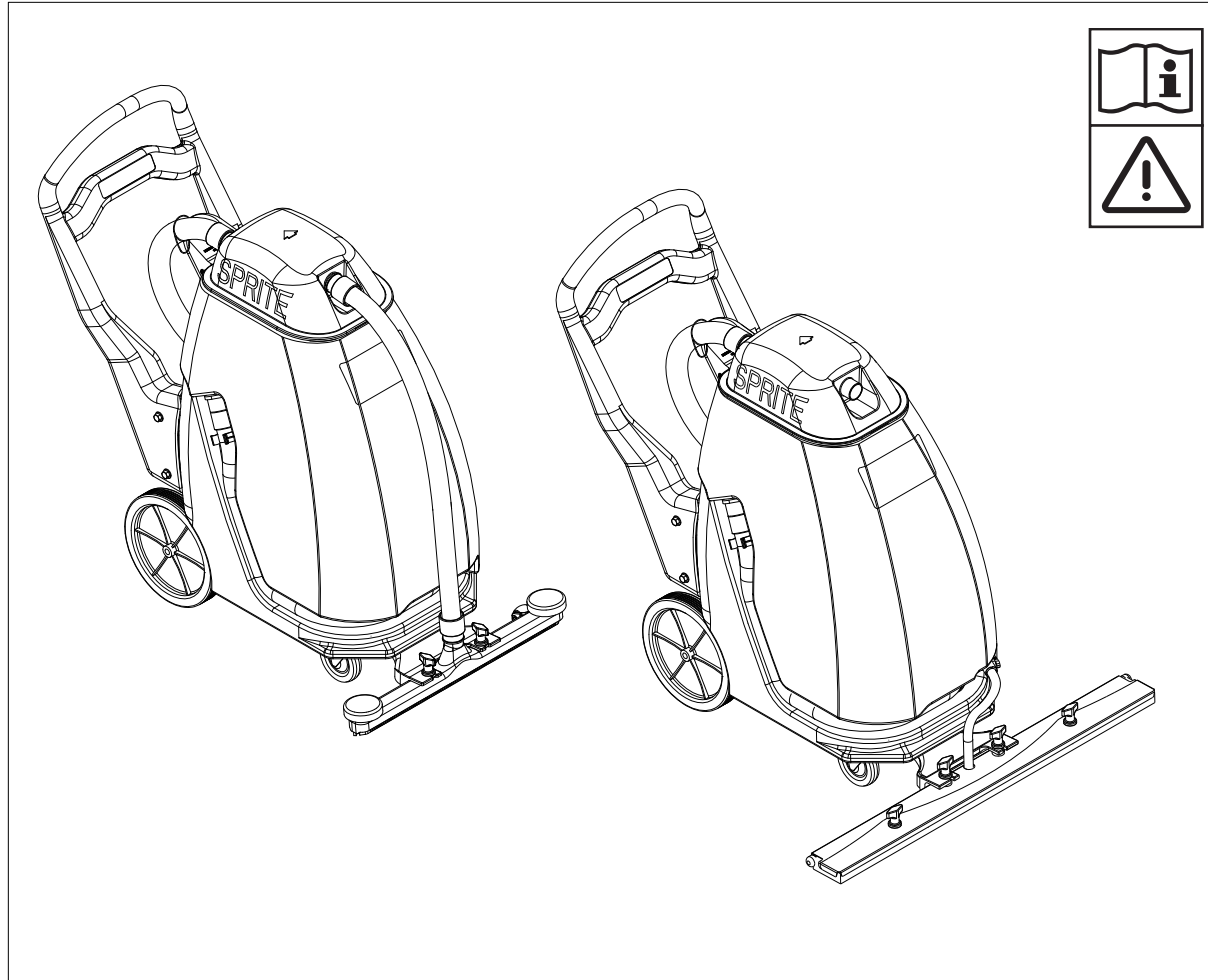


# Sprite™ 16

# Sprite™ 16 Pro



Instructions For Use - Original Instructions  
Instrucciones de uso  
Mode d' emploi

Advance Models 56381746, 56381727

A-English  
B-Español  
C-Français



## TABLE OF CONTENTS

	Page
Introduction.....	A-3
Parts and Service.....	A-3
Nameplate.....	A-3
Unpacking the Machine.....	A-3
Cautions and Warnings.....	A-4
Know Your Machine.....	A-6
<b>Operating the Machine</b>	
To Pick Up Water.....	A-7
To Pick Up Dust and Dirt.....	A-7
To Use Stripper Applicator.....	A-7
After Using the Machine.....	A-8
Lubrication.....	A-8
Vacuum Motor Brushes.....	A-8
Maintenance Schedule.....	A-9
Technical Specifications.....	A-9

## INTRODUCTION

This manual will help you get the most from your Advance Sprite™ 16, Sprite™ 16 Pro wet/dry vacuum and Stripper Applicator. Read it thoroughly before operating the machine.

**Note:** Bold numbers in parentheses indicate items illustrated on page 6 (figures 4 and 5).

This product is intended for commercial use only.

## PARTS AND SERVICE

Repairs, when required, should be performed by your Authorized Advance Service Center, who employs factory trained service personnel, and maintains an inventory of Advance original replacement parts and accessories.

Call the ADVANCE DEALER named below for repair parts or service. Please specify the Model and Serial number when discussing your machine.

## MODIFICATIONS

Modifications and additions to the cleaning machine which affect capacity and safe operation shall not be performed by the customer or user without prior written approval from Nilfisk-Advance Inc. Unapproved modifications will void the machine warranty and make the customer liable for any resulting accidents.

## NAME PLATE

The Model and Serial Number of your machine are shown on the Nameplate on the machine. This information is needed when ordering repair parts for the machine. Use the space below to note the Model and Serial Number of your machine for future reference.

MODEL \_\_\_\_\_

SERIAL NUMBER \_\_\_\_\_

## UNCRATING

When the machine is delivered, carefully inspect the shipping carton and the machine for damage. If damage is evident, save the shipping carton so that it can be inspected. Contact the Advance Customer Service Department immediately to file a freight damage claim.

## MACHINE ASSEMBLY

- 1 Unpack the supplied hardware and assemble the Handle (7) to the chassis securing the Power Cord (6) with the Support Clamp as shown in Figure 5 on page 6.
- 2 Install the Dome Lid (2) on top of the Recovery Tank (3) and attach the Vac Motor Hose (12) to the back of the Dome Lid as shown in Figure 4 on page 6.
- 3 If you have the Sprite™ 16, install the Squeegee (9) and Recovery Hose (8) as shown in Figure 4 on page 6.
- 4 If you have the Sprite™ 16 Pro, you can also use the Stripper Applicator Assembly (14) and connect the Hose to the Two-way Ball Valve (15) as shown in Figure 4 on page 6.

## WARNING!

The Products sold with this Manual contain or may contain chemicals that are known to certain governments (such as the State of California, as identified in its Proposition 65 Regulatory Warning Law) to cause cancer, birth defects or other reproductive harm. In certain locations (including the State of California) purchasers of these Products that place them in service at an employment job site or a publicly accessible space are required by regulation to make certain notices, warnings or disclosures regarding the chemicals that are or may be contained in the Products at or about such work sites. It is the purchaser's responsibility to know the content of, and to comply with, any laws and regulations relating to the use of these Products in such environments. The Manufacturer disclaims any responsibility to advise purchasers of any specific requirements that may be applicable to the use of the Products in such environments.

## CAUTIONS AND WARNINGS

### SYMBOLS

Advance uses the symbols below to signal potentially dangerous conditions. Read this information carefully and take the necessary steps to protect personnel and property.

#### **DANGER!**

Is used to warn of immediate hazards that will cause severe personal injury or death.

#### **WARNING!**

Is used to call attention to a situation that could cause severe personal injury.

#### **CAUTION!**

Is used to call attention to a situation that could cause minor personal injury or damage to the machine or other property.



Read all instructions before using.

## IMPORTANT SAFETY INSTRUCTIONS

This machine is only suitable for commercial use, for example in hotels, schools, hospitals, factories, shops and offices other than normal residential housekeeping purposes.

When using an electrical appliance, basic precautions should always be followed, including the following:

Read all instructions before using.

#### **WARNING!**

To reduce the risk of fire, electric shock, or injury:

- \* Do not leave the appliance when it is plugged in. Unplug the unit from the outlet when not in use and before servicing.
- \* Do not expose to rain. Store indoors.
- \* Do not allow to be used as a toy. Close attention is necessary when used by or near children.
- \* Use only as described in this manual. Use only the manufacturer's recommended attachments.
- \* Do not use with damaged cord or plug. If the appliance is not working as it should be, has been dropped, damaged, left outdoors or dropped into water, return it to a service center.
- \* Do not pull or carry by the cord, use the cord as a handle, close a door on the cord, or pull the cord around sharp edges or corners. Do not run the appliance over the cord. Keep the cord away from heated surfaces.
- \* Do not unplug by pulling on the cord. To unplug, grasp the plug, not the cord.
- \* Do not handle the plug, cord or appliance with wet hands.
- \* Do not put any object into openings. Do not use with any opening blocked; keep free of dust, lint, hair, and anything that may reduce air flow.
- \* Keep loose clothing, hair, fingers, and all parts of body away from openings and moving parts.
- \* Do not pick up anything that is burning or smoking, such as cigarettes, matches, or hot ashes, or any health endangering dusts.
- \* If using for dry pickup, Do not use without dustbag and/or filters in place.
- \* Turn off all controls before unplugging.
- \* Avoid vacuuming hard or sharp objects.
- \* Use extra care when cleaning on stairs.
- \* Do not use to pick up flammable or combustible liquids such as gasoline or use in areas where they may be present.
- \* If foam / liquid comes out, switch off immediately.
- \* Connect to a properly grounded outlet only. See Grounding Instructions.

## SAVE THESE INSTRUCTIONS

### 120VAC GROUNDING INSTRUCTIONS

This appliance must be grounded. If it should electrically malfunction, grounding provides a path of least resistance for electric current to reduce the risk of electric shock. This appliance is equipped with a cord having an equipment-grounding conductor and grounding plug. The plug must be plugged into an appropriate outlet that is properly installed and grounded in accordance with all local codes and ordinances.

### **⚠ DANGER!**

Improper connection of the equipment-grounding conductor can result in a risk of electric shock. Check with a qualified electrician or service person if you are in doubt as to whether the outlet is properly grounded. Do not modify the plug provided with the appliance. If it will not fit the outlet, have a proper outlet installed by a qualified electrician.

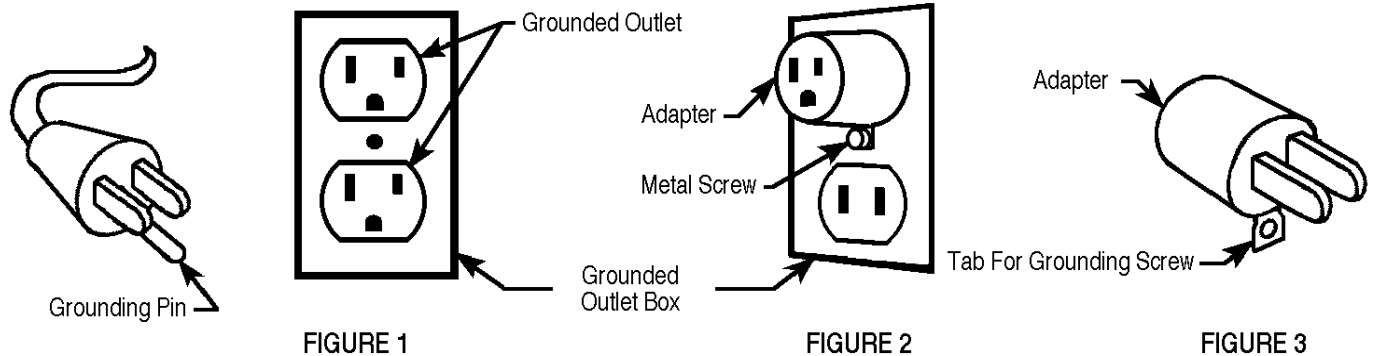
This appliance is for use on a nominal 120-volt circuit, and has a grounding plug that looks like the plug illustrated in Figure 1 below. A temporary adapter illustrated in Figures 2 and 3 may be used to connect this plug to a 2-pole receptacle as shown in Figure 2 if a properly grounded outlet is not available. The temporary adapter should be used only until a properly grounded outlet (Figure 1) can be installed by a qualified electrician. The green-colored rigid ear, tab, or the like extending from the adapter must be connected to a permanent ground such as a properly grounded outlet box cover. Whenever the adapter is used, it must be held in place by a metal screw. Grounding adapters are not approved for use in Canada.

Replace the plug if the grounding pin is damaged or broken.

The Green (or Green/Yellow) wire in the cord is the grounding wire. When replacing a plug, this wire must be attached to the grounding pin only.

Extension cords connected to this machine should be 12 gauge, three-wire cords with three-prong plugs and outlets. DO NOT use extension cords more than 50 feet (15 m) long.

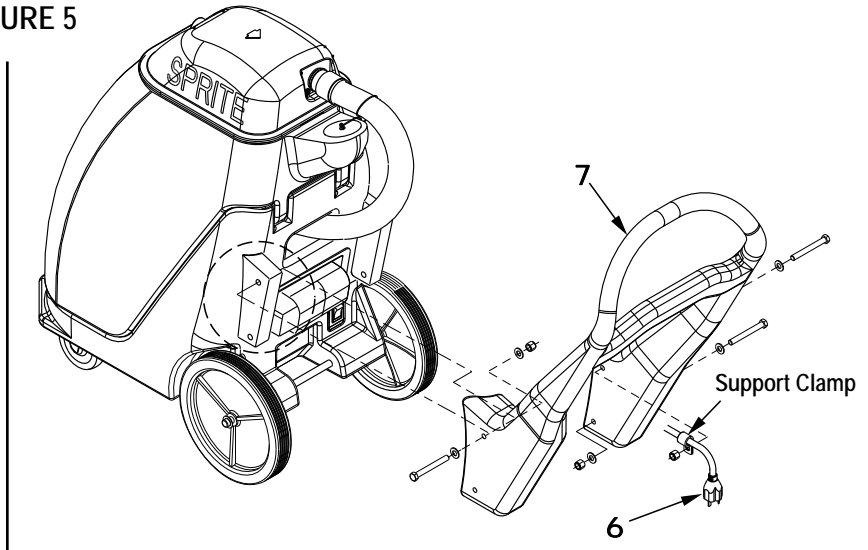
PLEASE NOTE: FOR NORTH AMERICA ONLY



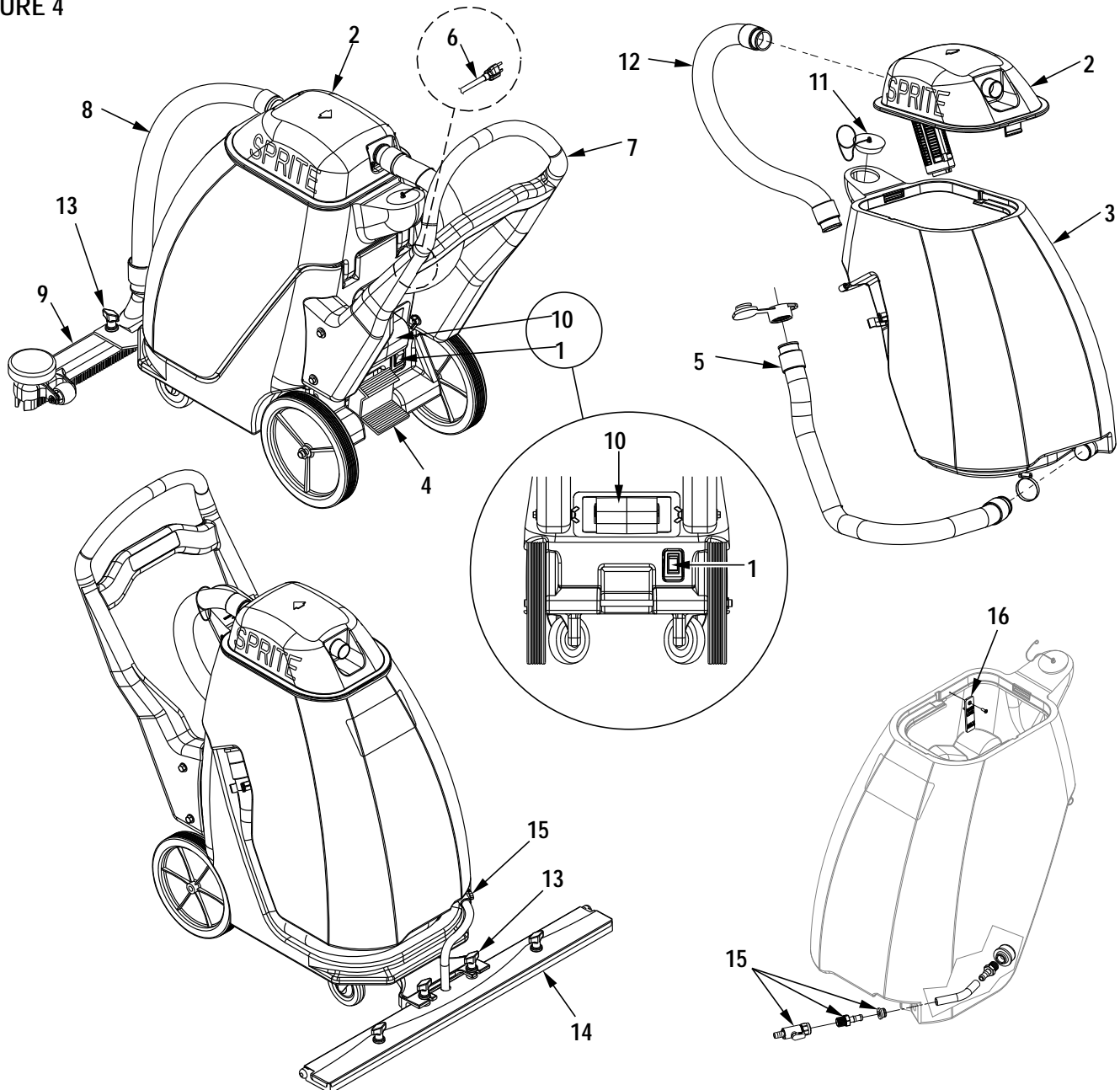
## KNOW YOUR MACHINE

- 1 Main Power Switch
- 2 Dome Lid
- 3 Recovery Tank
- 4 Squeegee Raise / Lower Pedal
- 5 Drain Hose
- 6 Power Cord
- 7 Handle
- 8 Recovery Hose
- 9 Squeegee (Sprite 16 and Sprite 16 Pro)
- 10 Vac Motor Exhaust Silencer
- 11 Tip-and-Pour Recovery Tank Drain Plug
- 12 Vac Motor Hose
- 13 Thumb Nut
- 14 Stripper Applicator (Sprite 16 Pro only)
- 15 Two-way Ball Valve (Sprite 16 Pro only)
- 16 Water Level Gauge (Sprite 16 Pro only)

### FIGURE 5



### FIGURE 4



## TO PICK UP WATER

- 1 If the machine has been used for dry pick-up, remove the Filter Assembly System (if used).
- 2 Place the Dome Lid (2) on top of the Recovery Tank (3). Make sure that the Main Power Switch (1) is in the OFF position, then plug the Power Cord (6) into a properly grounded wall outlet.
- 3 Attach the Recovery Hose (8) and the Vac Motor Hose (12) to the Dome Lid (2).
- 4 Connect the other end of the Recovery Hose (8) to the Squeegee or Wand. Accessory hoses, wands and other attachments are available from your local Advance Dealer.
- 5 Turn the Main Power Switch (1) ON.
- 6 Release the Squeegee Raise/Lower Pedal (4) to lower the Squeegee to the floor. The Squeegee will pick up while moving forward or in reverse.
- 7 Add a defoamer chemical when picking up soapy water. To add defoamer, first turn the Main Power Switch (1) OFF. Then remove the Dome Lid (2) and pour the defoamer chemical into the Recovery Tank (3). See the manufacturer's recommendations for the proper amount. Put the Dome Lid (2) back on the Recovery Tank (3) and turn the Main Power Switch (1) ON. Add defoamer each time the tank is emptied.
- 8 The Recovery Tank (3) has an automatic float shutoff to block the vacuum system when the tank is full. You can tell when the float closes by the sudden change in the sound of the vacuum motor. When the float closes, the tank must be emptied. The machine will not pick up water with the float closed.

## TO PICK UP DUST AND DIRT

- 1 If the machine has been used for wet pick-up, empty the Recovery Tank (3), rinse it out and dry it completely.  
**NOTE:** The optional Filter Assembly System can also be installed over the float cage on the Dome Lid (2) for additional exhaust air filtration during dry pickup. The Filter Assembly System comes with installation instructions when ordered.
- 2 Then put the Dome Lid (2) on top of the Recovery Tank (3).
- 3 Attach the Recovery Hose (8) and the Vac Motor Hose (12) to the Dome Lid (2).
- 4 Connect the other end of the hose to a wand fitted with a dry pick-up tool. Accessory hoses, wands and other attachments are available from your local Advance Dealer.
- 5 Plug the Power Cord (6) into a wall outlet and turn the Main Power Switch (1) ON.

## TO USE STRIPPER APPLICATOR

- 1 If the machine has been used for dry pick-up, remove the Filter Assembly System (if used).
- 2 Detach Power Cord from the machine at the pigtail plug outlet.
- 3 If the machine has been used for wet pick-up, empty the Recovery Tank (3), and rinse it out.
- 4 Place the chemical solution you are using into the Recovery Tank (3) and do not fill past the MAX water level mark on the Water Level Gauge (16).
- 5 Place the Dome Lid (2) on top of the Recovery Tank (3). Make sure that the Main Power Switch (1) is in the OFF position.
- 6 Remove the Squeegee tool (9) and install the Stripper Applicator Assembly (14) to the front mount using the two Thumb Nuts (13) to secure. Connect the hose from the Stripper Applicator Assembly (14) to the Two-way Ball Valve (15).
- 7 Release the Squeegee Raise/Lower Pedal (4) to lower the Stripper Applicator Assembly to the floor. The Applicator is used while moving/pulling the machine in reverse.
- 8 Solution flow rate to the Applicator is controlled by opening and closing the Two-way Ball Valve (15) at the lower left front corner of the Recovery Tank (3).

## AFTER USE - WET PICK UP

- 1 Step down on the Squeegee Raise/Lower Pedal (4) to raise the Squeegee. Turn the Main Power Switch (1) OFF and unplug the Power Cord (6).
- 2 Move the machine to a designated waste water "Disposal Site".
- 3 Remove the Drain Hose (5) from its hanger, direct the end of the hose to a proper disposal area and remove the plug.  
If a floor drain is not available, back the machine up to a toilet and remove the Tip-and-Pour Recovery Tank Drain Plug (11). Disconnect the Recovery Hose (8) and the Vac Motor Hose (12). Stand at the front of the machine and lift up on the front of the Recovery Tank (3) until all of the waste water has drained into the toilet bowl, reinstall the plug (11).
- 4 Remove the Dome Lid (2) from the Recovery Tank (3) and rinse the tank with warm water.
- 5 Remove the Squeegee (9) or Wand and Recovery Hose (8) and rinse them in warm water.
- 6 Set the Dome Lid (2) on the tank so that one corner of the lid is pointing forward. This will allow the tank to air out.
- 7 Wipe the machine with a damp cloth. Check the Maintenance Schedule and perform any required maintenance before storage.
- 8 Store the machine indoors in a clean, dry place.

## AFTER USE - DRY PICK UP

- 1 Turn the Main Power Switch (1) OFF and unplug the Power Cord (6). Remove the Dome Lid (2) from the Recovery Tank (3).
- 2 If you are using the optional Filter Assembly System, remove the Dry Filter and shake or wash out.
- 3 Reinstall the Dome Lid (2) on the Recovery Tank (3).
- 4 Wipe the machine with a damp cloth. Check the Maintenance Schedule and perform any required maintenance before storage.
- 5 Store the machine indoors in a clean, dry place.

## AFTER USE - STRIPPER APPLICATOR

- 1 Close the Two-way Ball Valve (15) at the lower left front corner of the Recovery Tank (3).
- 2 Step down on the Squeegee Raise/Lower Pedal (4) to raise the Applicator.
- 3 Remove the Dome Lid (2) from the Recovery Tank (3) and rinse the tank with warm water.
- 4 Remove the Stripper Applicator Assembly (14) and rinse in warm water.
- 5 Set the Dome Lid (2) on the tank so that one corner of the lid is pointing forward. This will allow the tank to air out.
- 6 Wipe the machine with a damp cloth. Check the Maintenance Schedule and perform any required maintenance before storage.
- 7 Store the machine indoors in a clean, dry place.

## LUBRICATION

Lubricate the caster swivels and the squeegee raise / lower pivot points with light machine oil.

## VACUUM MOTOR BRUSHES

Have your Advance Dealer check the carbon motor brushes once a year or after 500 operating hours.

## IMPORTANT !

Motor damage resulting from failure to service the carbon brushes is not covered under warranty. See the Limited Warranty Statement.

## CAUTION !

Unplug the Power Cord (6) before performing any machine maintenance.





**MAINTENANCE SCHEDULE**

Maintenance Item	Daily	Monthly	Yearly
Clean the Recovery Tank	X		
Clean the Float Screen	X		
Clean the Squeegee	X		
Clean Dry Container System	X		
Inspect Tanks and Hoses	X		
Lubrication		X	
Inspect and Clean Vac Motor			
Inlet and Outlet Filters		X	
*Check Vacuum Motor Brushes			X

\*Have your Advance Dealer check the carbon motor brushes once a year or after 500 operating hours.

**TECHNICAL SPECIFICATIONS**

Model		Sprite 16	Sprite 16 Pro
Model Number		56381746	56381727
Voltage/frequency	V/Hz	120V / 50-60Hz	120V / 50-60Hz
Rated Power	W	800	800
Protection Class (electrical)			
Sound Pressure Level (IEC 60704-2-1)	dBLpA, 3dB KpA	71.8	71.8
Total Weight	lbs / kg	76/34.5	80/36.3

## ÍNDICE

	Página
Introducción.....	B-3
Componentes y servicio.....	B-3
Placa de identificación.....	B-3
Desembalaje de la máquina.....	B-3
Precauciones y advertencias .....	B-4
Conozca su máquina.....	B-6
<b>Manejo de la máquina</b>	
Para recoger agua.....	B-7
Para recoger polvo y suciedad.....	B-7
Para utilizar el limpiador.....	B-7
Después de la utilización de la máquina.....	B-8
Lubricación.....	B-8
Escobillas del motor de vacío.....	B-8
Programa de mantenimiento.....	B-9
Especificaciones técnicas .....	B-9

## INTRODUCCIÓN

Este manual lo ayudará a aprovechar al máximo su aspiradora de húmedo/seco y limpiador **Advance Sprite™ 16, Sprite™ 16 Pro** Léalo con atención antes de utilizar la máquina.

**Nota:** Los números en negrita en paréntesis indican los artículos ilustrados en la página 6 (figuras 4 y 5).

Este producto sólo está destinado a uso profesional.

## PIEZAS Y SERVICIO

Las reparaciones, cuando sean necesarias, deben ser realizadas por el Centro de Servicio Autorizado de Advance, que emplea personal entrenado en fábrica y mantiene un inventario de accesorios y piezas de repuestos originales de Advance. Llame al REPRESENTANTE DE ADVANCE que se indica más abajo para obtener piezas de repuesto y servicio. Al referirse a su máquina, indique el modelo y número de serie.

## MODIFICACIONES

Las modificaciones y los agregados a la máquina de limpieza que afecten su capacidad y su funcionamiento seguro no serán realizados por el cliente o el usuario sin la autorización previa y por escrito de Nilfisk-Advance Inc. Las modificaciones que no cuenten con la aprobación correspondiente anularán la garantía de la máquina y harán que el cliente sea responsable de cualquier accidente resultante.

## PLACA DE DATOS NOMINALES

El número de modelo y el número de serie de su máquina se muestran en la placa de datos nominales que está fijada a la máquina. Esta información es necesaria para pedir piezas de repuesto para la máquina. Utilice el espacio reservado para anotar el número de modelo y el número de serie de su máquina para futuras consultas.

NÚMERO DE MODELO \_\_\_\_\_

NÚMERO DE SERIE \_\_\_\_\_

## DESEMBALAJE DE LA MÁQUINA

Cuando le entreguen la máquina, inspeccione cuidadosamente el cartón de embalaje y la máquina para comprobar que no existen daños. Si existen daños evidentes, guarde el cartón para que se pueda inspeccionar. Contacte inmediatamente con el Departamento de Servicio al Cliente de Advance para cumplimentar una reclamación por daños durante el transporte.

## MONTAJE DE LA MÁQUINA

- 1 Desempaquete los accesorios suministrados y ensamble el asa (7) al chasis, asegurando el cable de alimentación (6) con la abrazadera de soporte, como se observa en la Figura 5 de la página 6.
- 2 Instale la tapa abovedada (2) en la parte superior del depósito de recuperación (3) y fije el manguito del motor de aspiración (12) a la parte trasera de la tapa abovedada, como se muestra en la Figura 4. en la página 6.
- 3 Si tiene un **Sprite™ 16**, instale al boquilla de aspiración (9) y el manguito de recuperación (8) tal y como se muestra en la Figura 4. en la página 6.
- 4 Si usted tiene **Sprite™ 16 Pro**, también puede utilizar el montaje del limpiador (14) y conectar la manguera a la válvula de bola de dos vías (15) como se observa en la figura 4 de la página 6.

## ADVERTENCIA:

Los Productos a la venta en este Manual contienen, o pueden contener, productos químicos reconocidos por algunos gobiernos (como el Estado de California, según lo indica en su Proposición 65, Ley de Advertencia Regulatoria) como causantes de cáncer, defectos de nacimiento u otros daños reproductivos. En algunas jurisdicciones (incluido el Estado de California), los compradores de estos Productos que los coloquen en servicio en un emplazamiento laboral o en un espacio de acceso público tienen la obligación regulatoria de realizar determinados avisos, advertencias o divulgaciones respecto de los productos químicos contenidos o posiblemente contenidos en los Productos utilizados en tal lugar. Es la responsabilidad del comprador conocer y cumplir con todas las leyes y reglamentaciones relacionadas con el uso de estos Productos en tales entornos. El Fabricante niega toda responsabilidad de informar a los compradores sobre requisitos específicos que pueden regir el uso de los Productos en tales entornos.

## PRECAUCIONES Y ADVERTENCIAS

### SÍMBOLOS

Avance utiliza los símbolos que aparecen a continuación para indicar situaciones potencialmente peligrosas. Lea cuidadosamente esta información y emprenda las acciones que resulten necesarias para proteger a personas y objetos.

#### ¡PELIGRO!

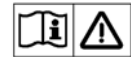
Se utiliza para advertir de peligros inmediatos que pueden producir graves daños personales o la muerte.

#### ¡ADVERTENCIA!

Se utiliza para llamar la atención sobre una situación que puede causar graves daños personales.

#### ¡PRECAUCIÓN!

Se utiliza para llamar la atención sobre una situación que puede causar daños personales leves o daños a la máquina u otros objetos.



Lea todas y cada una de las instrucciones antes de utilizar el aparato.

## IMPORTANTES PRECAUCIONES DE SEGURIDAD

Esta máquina es sólo para uso comercial, por ejemplo en hoteles, escuelas, hospitales, fábricas, tiendas y oficinas, y no está destinada a uso doméstico.

Siempre que utilice aparatos eléctricos, conviene tomar las siguientes precauciones de seguridad:

Lea todas las instrucciones antes de usar el aparato.

#### ¡ADVERTENCIA!

Para evitar riesgos de incendio, choques eléctricos o heridas:

- \* No deje el aparato sin vigilancia cuando esté enchufado. Desenchufe la unidad respecto de la toma de corriente cuando no la utilice y antes de darle servicio.
- \* No deje el equipo expuesto a la lluvia. Almacénelo en el interior.
- \* No permita que se utilice como juguete. Preste mucha atención cuando sea utilizado por o cerca de los niños.
- \* Utilícelo solamente de la manera descrita en este manual. Utilícelo sólo con los accesorios que recomienda el fabricante.
- \* No lo utilice si el cable o el enchufe están deteriorados. Si el aparato no funciona como debe, o si se ha caído, deteriorado, dejado en el exterior o ha caído al agua, envíelo al centro de servicio.
- \* No tire del cable ni mueva el aparato tirando del cable, ni utilice el cable como asidero; no atrape el cable al cerrar puertas, ni pase el cable por ningún borde agudo. No pase el equipo por encima del cable. Mantenga el cable lejos de superficies calentadas.
- \* No desenchufe el cable tirando del mismo. Para desenchufar, tire de la clavija de enchufe, no del cable.
- \* No manipule la clavija de enchufe, el cable, el equipo ni el aparato con las manos húmedas.
- \* No introduzca ningún objeto por las aperturas. No lo utilice si están bloqueadas las aperturas; manténgalas libre de polvo, hilos, pelos y de cualquier cosa que pueda reducir el flujo de aire.
- \* No acerque la ropa, el pelo, los dedos ni ninguna parte de cuerpo a las aberturas y a las piezas en movimiento.
- \* No recoja nada que esté encendido o eche humo, como cigarrillos, cerillas, cenizas calientes ni polvos peligrosos para la salud. Si se utiliza para la recogida en seco, no lo utilice sin que estén instaladas las bolsas o los filtros.
- \* Apague todos los controles antes de desenchufar.
- \* Evite aspirar objetos duros o con bordes agudos.
- \* Preste especial atención cuando esté realizando la limpieza de escaleras.
- \* No utilice el aparato para recoger líquidos combustibles o inflamables como gasolina, ni lo utilice en zonas donde pueda estar presente.
- \* Si sale del aparato espuma o líquido, apáguelo inmediatamente.
- \* Conéctelo sólo a una toma mural que tenga una correcta conexión a tierra. Vea las instrucciones de conexión a tierra.

## CONSERVE ESTAS INSTRUCCIONES

## 120VAC INSTRUCCIONES PARA HACER LA TOMA A TIERRA

Este aparato deberá ser conectado a tierra. En caso de malfuncionamiento o de desperfectos, la toma a tierra proporciona una vía de menor resistencia de la corriente eléctrica para reducir el riesgo de choques eléctricos. Esta unidad viene equipada con un cordón con conductores para toma a tierra y con un enchufe con toma a tierra. Ese enchufe deberá ser enchufado a un receptáculo en buen estado con instalación a tierra según los códigos y ordenanzas de la zona.

### ⚠ ¡PELIGRO!

Si el conductor a tierra no está instalado correctamente pueden producirse riegos de choques eléctricos. En caso de duda, consulte con un electricista o personal de servicio autorizados. No modifique el cordón provisto con el aparato. Si no calza en el receptáculo, llame a un electricista calificado para que coloque un receptáculo adecuado.

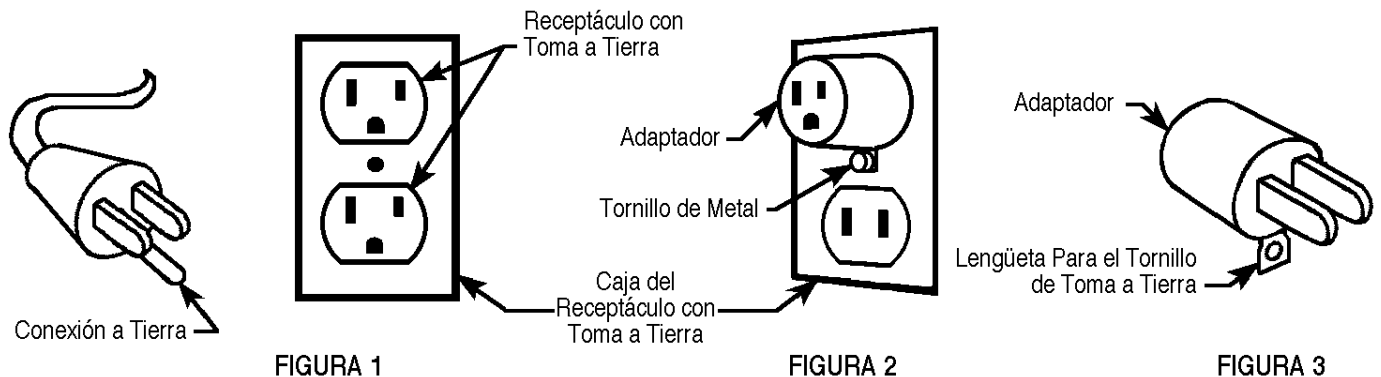
Este aparato se usa con un circuito de 120-voltios nominales, y tiene un enchufe con toma a tierra tal como se muestra en la figura 1, a continuación. Se puede usar un adaptador provisorio tal como se ve en las figuras 2 y 3 en caso de disponerse de un receptáculo sin toma a tierra como en la figura 2. Dicho adaptador provisorio se usará solamente hasta que un electricista calificado instale un receptáculo con la toma a tierra correspondiente (figura 1). La lengüeta de conexión de color verde que sale del adaptador deberá ser conectada a una toma a tierra permanente como, por ejemplo, la caja del receptáculo con toma a tierra. Siempre que se use el adaptador, hay que sostenerlo en su lugar con un tornillo de metal.

Sustituya el enchufe si la patilla de tierra está dañada o rota.

El hilo verde (o verde/amarillo) del cordón es el hilo de tierra. Cuando sustituya el enchufe, este hilo sólo debe ir conectado a la patilla de tierra.

Los cables alargadores conectados a esta máquina deben ser del calibre 12, trifilares, con tres patillas y tomas de pared adecuadas. NO UTILICE cables alargadores de más de 15 m.

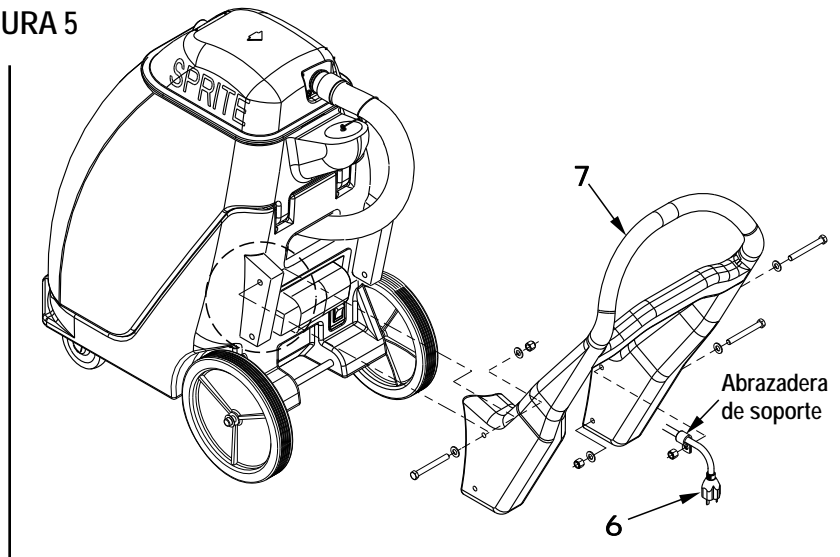
ATENCIÓN : PARA AMÉRICA DE NORTE SOLAMENTE.



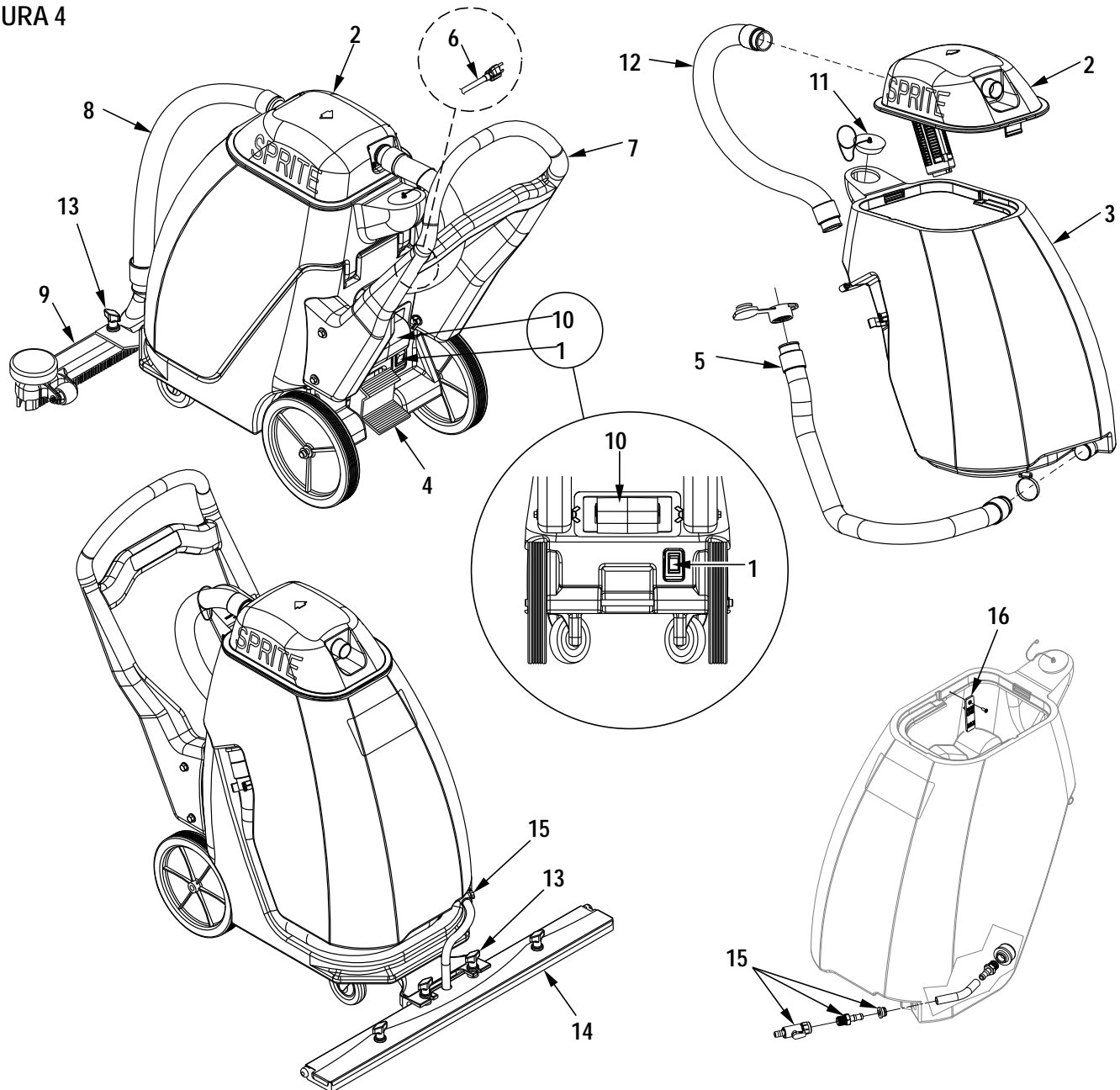
## CONOZCA SU MÁQUINA

- 1 Conmutador de alimentación principal.
- 2 Tapa abovedada
- 3 Depósito de recogida
- 4 Pedal de elevación / descenso de la boquilla de aspiración.
- 5 Manguito de purga.
- 6 Cable de alimentación.
- 7 Asidero.
- 8 Manguito de recuperación
- 9 Boquilla de aspiración (Sprite 16 y Sprite 16 Pro)
- 10 Silenciador del escape del motor de aspiración.
- 11 Tapón de drenaje del depósito de recogida.
- 12 Manguito del motor de aspiración.
- 13 Tuerca de mariposa
- 14 Limpiador (solo Sprite 16 Pro)
- 15 Válvula de bola de dos vías (solo Sprite 16 Pro)
- 16 Indicador del nivel de agua (Solo Sprite 16 Pro)

### FIGURA 5



### FIGURA 4



## PARA RECOGER AGUA

- 1 Si la máquina ha sido utilizada para aspiración en seco, extraer el sistema de montaje del filtro (si se utiliza).
- 2 Coloque la tapa abovedada (2) en la parte superior del depósito de recogida (3). Verifique que el conmutador principal de alimentación (1) se encuentra en la posición OFF (apagado), y enchufe el cable de alimentación (6) en una toma mural con conexión de tierra adecuada.
- 3 Conecte el manguito de recogida (8) y el manguito del motor de aspiración a la tapa abovedada.
- 4 Conecte el otro extremo del manguito de recogida (8) a la boquilla de aspiración o a la varilla. El representante local puede suministrarle manguitos, boquillas de aspiración, varillas y otros accesorios.
- 5 Encienda el conmutador de alimentación (1) (posición ON).
- 6 Libere el pedal de subida/bajada de la boquilla de aspiración (4) para descender la boquilla hasta el suelo. La boquilla de aspiración efectuará la recogida a la vez que se mueve hacia adelante o hacia atrás. (Este paso se aplica únicamente al Air Scoop).
- 7 Añada un desespumante químico si va a recoger agua jabonosa. Para añadir el desespumante, apague primero el conmutador principal de alimentación (1). A continuación, retire la tapa abovedada (2) y vierta el desespumante químico en el depósito de recogida (3). Vea las recomendaciones del fabricante en cuanto a la cantidad correcta que hay que añadir. Coloque la tapa abovedada (2) en el depósito de recogida (3) y encienda el conmutador principal de alimentación (1) (posición ON). Añada desespumante cada vez que se vacía el depósito.
- 8 El depósito de recogida (3) tiene un flotador automático de corte para bloquear el sistema de aspiración cuando el depósito está lleno. Se puede detectar cuando se cierra el flotador por el repentino cambio en el motor de aspiración. Cuando se cierra el flotador, se debe vaciar el depósito. La máquina no recogerá agua cuando el flotador esté cerrado.

## PARA RECOGER POLVO Y SUCIEDAD

- 1 Si la máquina ha sido utilizada para aspiración en húmedo, vacíe el depósito de recuperación (3), enjuáguelo y séquelo por completo.  
**NOTA:** El sistema de montaje del filtro opcional se puede instalar también sobre la caja del flotador en la tapa de la cubierta (2) para una filtración de aire de escape adicional durante la aspiración en seco. El sistema de montaje del filtro incluye las instrucciones de instalación al comprarlo.
- 2 A continuación, coloque la tapa abovedada (2) sobre el depósito de recogida (3).
- 3 Fije el manguito de recogida (8) y el manguito del motor de aspiración (12) en la tapa abovedada (2).
- 4 Conecte el otro extremo del manguito a una varilla provista de una herramienta de recogida en seco. Los manguitos, varillas y otros accesorios pueden obtenerse del representante local.
- 5 Enchufe el cable de alimentación (6) en la toma mural y encienda el conmutador principal de alimentación (1) (posición ON).

## PARA UTILIZAR EL LIMPIADOR

- 1 Si la máquina ha sido utilizada para aspiración en seco, extraer el sistema de montaje del filtro (si se utiliza).
- 2 Desconecte el cable de alimentación de la máquina en la toma de corriente del enchufe del cable flexible de conexión.
- 3 Si la máquina ha sido utilizada para aspiración en húmedo, vacíe el depósito de recuperación (3), enjuáguelo.
- 4 Coloque la solución química que utilice en el depósito de recuperación (3) y no lo llene más de la marca MÁXIMA de nivel de agua en el indicador del nivel de agua (16).
- 5 Coloque la tapa de la cubierta (2) en el extremo superior del depósito de recuperación (3). Asegúrese de que el interruptor de encendido principal (1) se encuentre en la posición APAGADO (OFF).
- 6 Extraiga la rasqueta (9) e instale el conjunto del limpiador (14) a la base frontal utilizando las dos tuercas de mariposa (13) para asegurar. Conecte la manguera del conjunto del limpiador (14) a la válvula de bola de dos vías (15).
- 7 Suelte el pedal de elevación/descenso de la rasqueta (4) para descender el conjunto del limpiador al piso. El limpiador se utiliza mientras se mueve/desliza la máquina al revés.
- 8 La tasa de flujo de solución para el limpiador es controlada al abrir y cerrar la válvula de bola de dos vías (15) en la esquina izquierda frontal inferior del depósito de recuperación (3).

## DESPUÉS DEL USO - RECOGIDA DE LÍQUIDOS

- 1 Pise el pedal de subida/bajada de la boquilla para subir la boquilla de aspiración (sólo Air Scoop). Apague el conmutador principal de alimentación (1) (posición OFF) y desenchufe el cable de alimentación (6).
- 2 Desplace la máquina hasta un sumidero marcado para tal fin.
- 3 Retire el manguito de vaciado (5) de su soporte, dirija el extremo del manguito hacia el sumidero y quite el tapón.  
Si no hay disponible un sumidero, lleve la máquina al lavabo y retire el tapón de vaciado del depósito de recuperación del tipo "enfocar y vaciar" (11). Desconecte el manguito de recogida (8) y el manguito del motor de aspiración (12). Sitúese delante de la máquina y levante la parte frontal del depósito de recuperación (3) hasta que se haya drenado en el inodoro el agua de desecho; coloque nuevamente el tapón.
- 4 Retire la tapa abovedada (2) del depósito de recuperación (3) y lave el depósito con agua tibia.
- 5 Retire la boquilla de aspiración (2) o la varilla y el manguito de recuperación (8) y lávelos con agua tibia.
- 6 Coloque la tapa abovedada (2) en el depósito de manera que una esquina de la tapa apunte hacia adelante. Esto permite que se vacíe el depósito.
- 7 Limpie la máquina con un paño húmedo. Revise el programa de mantenimiento y realice las operaciones de mantenimiento que resulten necesarias antes de almacenar la máquina.
- 8 Almacene la máquina en el interior, en un lugar limpio y seco.

## DESPUÉS DEL USO - RECOGIDA DE PRODUCTOS SECOS

- 1 Apague el conmutador principal de alimentación (1) (posición OFF) y desenchufe el cable (6). Retire la tapa abovedada (2) del depósito de recuperación (3).
- 2 Retire el sistema de depósito seco y límpielo con un cepillo y una aspiradora para conservarlo limpio.
- 3 Instale de nuevo el sistema de depósito seco en el depósito de recogida (3).
- 4 Si está utilizando el sistema de filtro opcional, retire el filtro seco y sacúdalo o lávelo.
- 5 Instale de nuevo la tapa abovedada (2) en el depósito de recogida (3).
- 6 Limpie la máquina con un paño húmedo. Revise el programa de mantenimiento y realice las operaciones de mantenimiento necesarias antes de almacenar el equipo.
- 7 Almacene la máquina en el interior, en un lugar limpio y seco.

## DESPUÉS DE LA UTILIZACIÓN - LIMPIADOR

- 1 Cierre la válvula de bola de dos vías (15) en la esquina izquierda frontal inferior en el depósito de recuperación (3).
- 2 Descienda el pedal de elevación/descenso de la rasqueta (4) para levantar el limpiador.
- 3 Retire la tapa abovedada (2) del depósito de recuperación (3) y lave el depósito con agua tibia.
- 4 Extraiga el montaje del limpiador (14) y enjuague con agua tibia.
- 5 Coloque la tapa abovedada (2) en el depósito de manera que una esquina de la tapa apunte hacia adelante. Esto permite que se vacíe el depósito.
- 6 Limpie la máquina con un paño húmedo. Revise el programa de mantenimiento y realice las operaciones de mantenimiento que resulten necesarias antes de almacenar la máquina.
- 7 Almacene la máquina en el interior, en un lugar limpio y seco.

## LUBRICACIÓN

Lubrique las bielas de las roldanas y los puntos de apoyo del dispositivo de subida/bajada de la boquilla con aceite ligero de máquina.

## ESCOBILLAS DEL MOTOR DE VACÍO

Pida al representante de Advance que revise las escobillas de carbono del motor una vez al año o cada 500 horas de trabajo.



## ¡IMPORTANTE!

Los daños provocados en el motor por un mal mantenimiento de las escobillas no están cubiertos por la garantía. Consulte la Declaración de Garantía Limitada.



## ¡CUIDADO!

Desenchufe el cable de alimentación (6) antes de realizar cualquier operación de mantenimiento de la máquina.





**PROGRAMA DE MANTENIMIENTO**

Elemento de Mantenimiento	Diario	Mensual	Anual
Limpiar el depósito de recogida	X		
Limpiar la pantalla flotante	X		
Limpiar la boquilla de aspiración	X		
Limpiar el sistema de depósito seco	X		
Inspeccionar los depósitos y los manguitos	X		
Lubricación		X	
Inspeccionar y limpiar los filtros de entrada y salida del vacío		X	
*Revisar las escobillas del motor de aspiración			X

\*Pida al representante de Advance que revise las escobillas de carbono del motor una vez al año o cada 500 horas de trabajo.

**ESPECIFICACIONES TÉCNICAS**

Modelo		Sprite 16	Sprite 16 Pro
Número de modelo		56381746	56381727
Voltage/frecuencia	V/Hz	120V / 50-60Hz	120V / 50-60Hz
Potencia nominal	W	800	800
Clase de protección (eléctrica)			
Nivel de protección del sonido (IEC 60704-2-1)	dB LpA, 3dB KpA	71.8	71.8
Peso total	lbs / kg	76/34.5	80/36.3

## TABLE DES MATIÈRES

	Page
Introduction.....	C-3
Pièces Et Service Après-Vente.....	C-3
Plaque D'identification.....	C-3
Déballage De La Machine.....	C-3
Consignes De Prudence Et De Sécurité .....	C-4
Apprenez A Connaitre Votre Machine .....	C-6
<b>Fonctionnement De La Machine</b>	
Pour Ramasser L'Eau.....	C-7
Pour Ramasser La Poussiere Et La Saleté.....	C-7
Utilisation de l'applicateur de décapant.....	C-7
Après Utilisation De La Machine .....	C-8
Lubrification .....	C-8
Les Brosses Du Moteur D'Aspiration .....	C-8
Calendrier D'entretien .....	C-9
Spécifications Techniques.....	C-9

## INTRODUCTION

Ce mode d'emploi vous permettra de tirer le meilleur parti de votre aspirateur eau et poussière Advance Sprite™ 16 ou Sprite™ 16 Pro, et de l'applicateur de décapant. Lisez-le attentivement avant d'utiliser la machine.

**Remarque :** les chiffres en gras entre parenthèses indiquent des éléments illustrés à la page 6 (figures 4 et 5).

Ce produit est destiné à l'usage industriel uniquement.

## PIECES ET ENTRETIEN

Les réparations, lorsque nécessaires, devront être exécutées par votre centre de service Advance autorisé, qui emploie du personnel de service formé en usine, et maintient un inventaire de pièces de remplacement originales et d'accessoires d'Advance. Appelez le DETAILLANT INDUSTRIEL ADVANCE ci-dessous pour toute réparation, pièces ou entretien. Veuillez spécifier le modèle et le numéro de série lorsque vous parlez de votre machine.

## ALTÉRATIONS

Les altérations et ajouts d'éléments à la machine de lavage, qui affectent ses capacités et son fonctionnement sécurisé, ne doivent pas être réalisés sans le consentement préalable et écrit de Nilfisk-Advance Inc. Toute altération non approuvée annulera la garantie de la machine. En outre, le client sera entièrement responsable des accidents associés.

## PLAQUE D'IDENTIFICATION

Le numéro du modèle et le numéro de série de votre machine sont inscrits sur la plaque d'identification sur la machine. Cette information est nécessaire lors de la commande de pièces de réparation pour la machine. Utilisez la place ci-dessous pour inscrire le numéro du modèle et le numéro de série de votre machine pour toute référence future.

NUMERO DU MODELE \_\_\_\_\_

NUMERO DE SERIE \_\_\_\_\_

## DEBALLER LA MACHINE

Lors de la livraison, inspectez attentivement l'emballage de transport et la machine pour tout dommage. Si la détérioration est évidente, conservez l'emballage de transport pour qu'il soit inspecté. Contactez le Bureau du Service Clientèle Advance immédiatement pour remplir une réclamation de dommage de fret.

## ASSEMBLAGE DE LA MACHINE

- 1 Déballer le matériel fourni et assemblez la poignée (7) au châssis en fixant le cordon électrique (6) à la bride de fixation comme illustré à la Figure 5 de la page 6.
- 2 Installez le Couvercle Dôme (2) au dessus du réservoir de récupération (3) et attachez le Tuyau du Moteur d'Aspiration (12) à l'arrière du Couvercle Dôme comme montré sur le dessin 4.
- 3 Si vous avez une Sprite™ 16, installez l'Embouchure (9) et le Tuyau de Récupération (8) comme montré sur le dessin 4.
- 4 Si vous avez acheté le modèle Sprite™ 16 Pro, vous pouvez également utiliser l'applicateur de décapant (14) et branchez le tuyau au clapet à bille à deux voies (15) comme illustré à la Figure 4 de la page 6.

## AVERTISSEMENT !

Les Produits vendus avec le présent manuel contiennent ou peuvent contenir des produits chimiques reconnus par certains gouvernements (comme l'État de Californie, par le biais de la proposition de loi d'avertissement réglementaire 65) comme provoquant des cancers, des anomalies congénitales et autres dangers pour la reproduction. Dans certains endroits (comme l'État de Californie), les acheteurs de ces Produits, qui les utilisent sur un lieu de travail ou dans un espace public, ont l'obligation d'apposer certains avis, avertissements ou informations concernant les produits chimiques qui sont ou peuvent être contenus dans les Produits dans ces lieux ou aux alentours de ces lieux de travail. Il incombe à l'acheteur de connaître les dispositions de, et de respecter, toutes les lois et réglementations ayant trait à l'utilisation de ces Produits au sein de tels environnements. Le Fabricant rejette toute responsabilité d'informer les acheteurs concernant des exigences spécifiques qui peuvent s'appliquer à l'utilisation des Produits dans de tels environnements.

## CONSIGNES DE PRUDENCE ET DE SECURITE

### SYMBOLES

Nilfisk Advance utilise les symboles reproduits ci-dessous pour attirer l'attention de l'opérateur sur des situations potentiellement dangereuses. Il est donc conseillé de lire attentivement ces indications et de prendre les mesures adéquates en vue de protéger le personnel et le matériel.

#### **DANGER !**

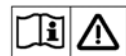
Ce symbole est utilisé pour mettre l'opérateur en garde contre les risques immédiats pouvant provoquer des dommages corporels graves, voire entraîner la mort.

#### **ATTENTION !**

Ce symbole est utilisé pour attirer l'attention sur une situation susceptible d'entraîner des dommages corporels graves.

#### **ATTENTION !**

Ce symbole est utilisé pour attirer l'attention de l'opérateur sur une situation qui pourrait entraîner des dommages corporels minimes ou des dommages à la machine ou à d'autres équipements.



Lire toutes les instructions avant d'utiliser l'appareil.

## IMPORTANTES CONSIGNES DE SÉCURITÉ

Cette machine ne convient qu'à un usage industriel, par exemple dans les hôtels, les écoles, les hôpitaux, les usines, les boutiques et bureaux et tout ce qui n'est pas pour l'entretien domestique résidentiel normal.

Lors de l'utilisation d'un appareil électrique, suivez toujours les précautions d'usage, y compris celles qui suivent :

Lisez toutes les instructions avant de faire fonctionner l'aspirateur.

#### **ATTENTION !**

Pour réduire tout risque d'incendie, de choc électrique ou de blessure :

- \* Ne quittez pas l'appareil alors qu'il est branché. Débranchez l'unité de la prise quand il n'est pas en service et avant l'entretien.
- \* Ne l'exposez pas à la pluie. Emmagazinez-le à l'intérieur.
- \* Ne le laissez pas être utilisé comme un jouet. Une attention particulière est nécessaire lorsque la machine est utilisée par ou à côté d'enfants.
- \* Ne l'utilisez que comme décrit dans ce manuel. N'utilisez que les attachements recommandés par le fabricant.
- \* Ne l'utilisez pas avec des cordons ou des prises électriques défectueuses. Si l'appareil ne fonctionne pas comme il le devrait, est tombé, endommagé, a été laissé à l'extérieur ou a été laissé tomber dans l'eau, retournez-le au centre d'entretien.
- \* Ne le tirez ou portez pas par le cordon électrique, n'utilisez pas le cordon comme poignée, ne fermez pas une porte sur le cordon, ou ne tirez pas le cordon sur des rebords ou des coins pointus. Ne faites pas passer l'appareil sur le cordon. Gardez le cordon à l'écart de toutes surfaces chaudes.
- \* Ne débranchez pas l'appareil en tirant sur le cordon. Pour débrancher, empoignez la prise, pas le cordon.
- \* Ne touchez pas à la prise, au cordon ou à l'appareil avec des mains mouillées.
- \* Ne placez aucun objet dans les ouvertures. Ne l'utilisez pas quand une des ouvertures est bloquée, gardez-les à l'abri de la poussière, de la charpie, des cheveux, et tout ce qui pourrait réduire le flux d'air.
- \* Gardez tout vêtement ample, cheveux, doigts, et toutes parties du corps loin des ouvertures et des parties mouvantes.
- \* Ne ramassez pas tout ce qui brûle ou fume, comme les cigarettes, allumettes, ou cendres chaudes, ou toutes poussières dangereuses à la santé.
- \* Si vous l'utilisez pour un ramassage à sec, Ne l'utilisez pas sans que le sac à poussière et / ou les filtres ne soient en place.
- \* Éteignez tous les contrôles avant de débrancher.
- \* Évitez d'aspirer des objets durs ou pointus.
- \* Faites preuve d'un soin supplémentaire lorsque vous nettoyez des escaliers.
- \* Ne l'utilisez pas pour ramasser des liquides inflammables ou combustibles comme l'essence ou ne l'utilisez pas dans des zones où ils pourraient être présents.
- \* Si de la mousse / du liquide ressort, éteignez immédiatement la machine.
- \* Ne connectez qu'à une prise de terre. Voyez les instructions de mise en place.

## CONSERVEZ CES INSTRUCTIONS

## INSTRUCTIONS VISANT LA MISE À LA TERRE (120VAC)

Cet appareil doit être mis à la terre. En cas de défaillance ou de panne éventuelles, la mise à la terre fournit au courant un chemin de moindre résistance qui réduit le risque de choc électrique. Cet appareil est pourvu d'un cordon muni d'un conducteur de terre et d'une fiche avec broche de terre. La fiche doit être branchée dans une prise appropriée correctement installée et mise à la terre conformément aux règlements et ordonnances municipaux.

### ⚠ AVERTISSEMENT !

Un conducteur de terre mal raccordé peut entraîner un risque de choc électrique. Consulter un électricien ou un technicien d'entretien qualifié si vous n'êtes pas certain que la prise est correctement mise à la terre. Ne pas modifier la fiche fournie avec l'appareil - si elle ne peut être insérée dans la prise, faire installer une prise adéquate par un électricien qualifié.

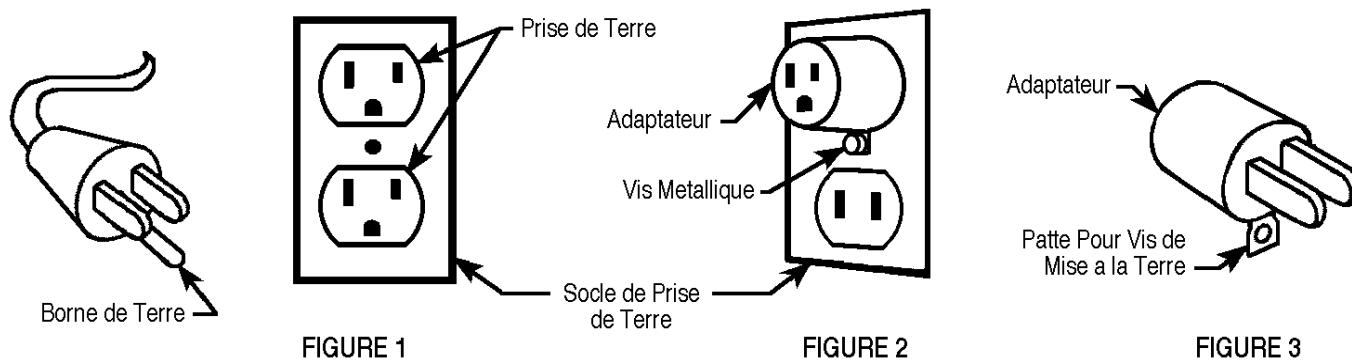
Cet appareil est destiné à un circuit de 120 V et est muni d'une fiche de terre semblable à celle illustrée par le croquis 1. Un adaptateur temporaire semblable à celui illustré par le croquis 2 et C peut être utilisé pour brancher cette fiche à une prise bipolaire comme l'illustre le croquis 2 si une prise avec mise à la terre n'est pas disponible. L'adaptateur temporaire devrait être utilisé seulement jusqu'à ce qu'une prise avec mise à la terre soit installée par un électricien qualifié. L'oreille rigide ou le crochet ou autre dispositif semblable, de couleur verte, prolongeant l'adaptateur doit être raccordé à un élément correctement mis à la terre comme le couvercle d'une boîte de sortie mise à la terre. L'adaptateur doit être fixé par une vis métallique. **Note:** Au Canada, l'utilisation d'un adaptateur temporaire n'est pas autorisée par le *Code canadien de l'électricité*.

Remplacez la prise si la prise de terre est abîmée ou cassée.

Le fil Vert (ou Vert/Jaune) dans la gaine est le fil de terre. Lors du remplacement d'une prise, ce fil doit être raccordé à la prise de terre uniquement.

Les rallonges connectées à cette machine doivent avoir 12 mesures, trois ganses de fil ayant **trois fiches masculines féminines tree-prong plugs and outlets**. N'UTILISEZ PAS de rallonge de plus de 15 m (50 pieds) de long.

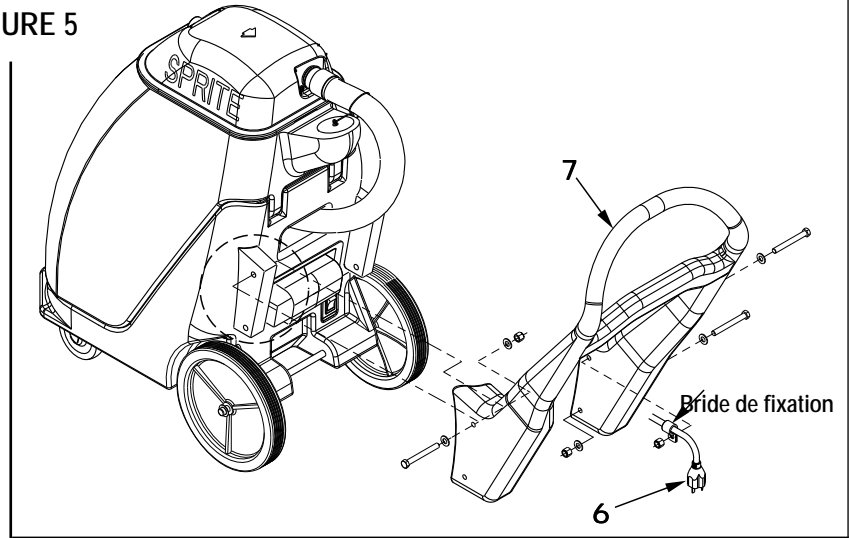
**VEUILLEZ NOTER: CES INSTRUCTIONS CONCERNENT UNIQUEMENT L'AMÉRIQUE DU NORD**



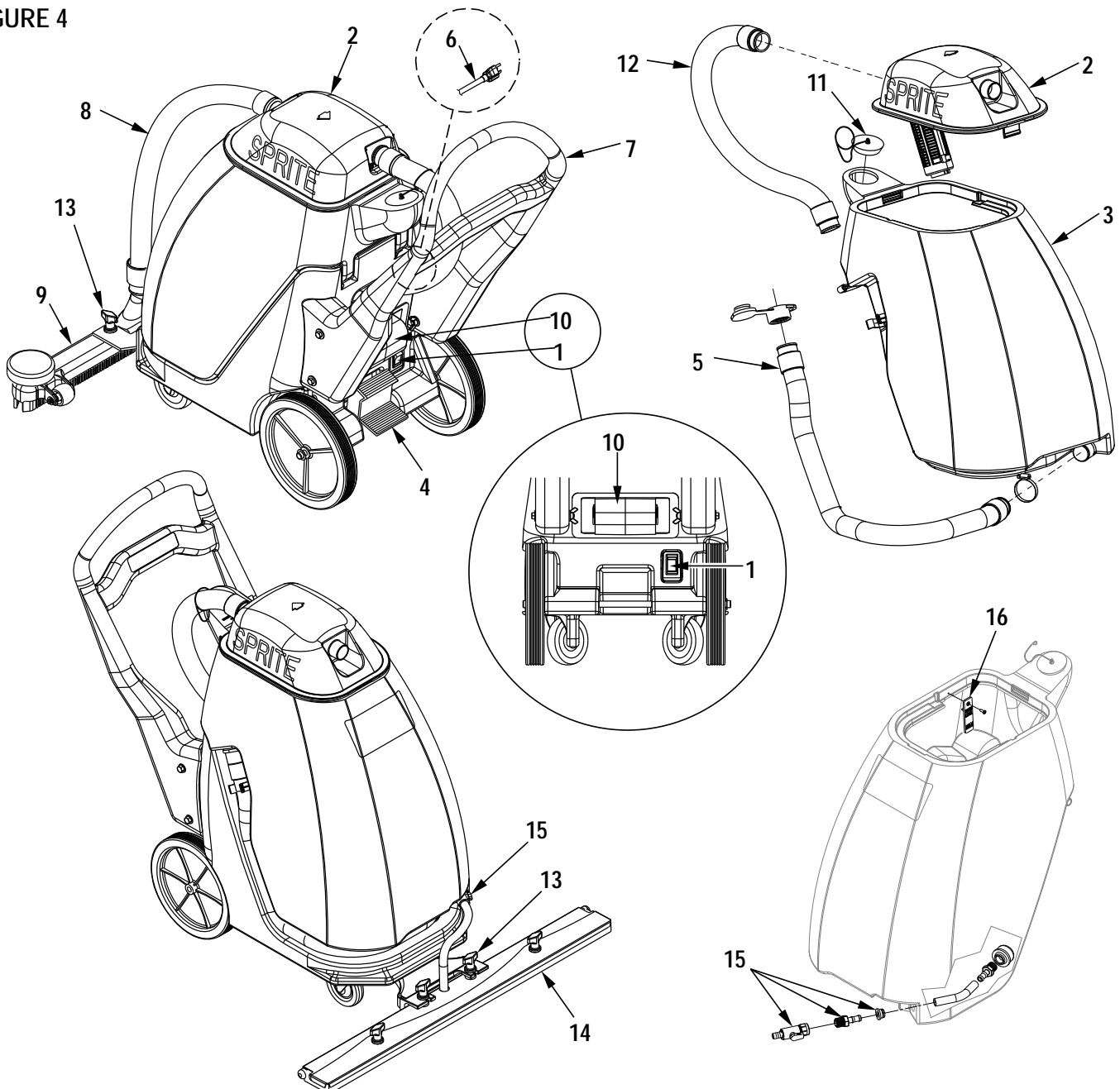
## CONNAISSEZ VOTRE MACHINE

- 1 Commutateur d'Alimentation Principal
- 2 Couvercle Dôme
- 3 Réservoir de Récupération
- 4 Pédale Monter / Abaisser de l'Embouchure
- 5 Tuyau de Vidange
- 6 Cordon d'Alimentation
- 7 Poignée
- 8 Tuyau de Récupération
- 9 Embouchure (Sprite 16 et Sprite 16 Pro)
- 10 Silencieux d'Échappement du Moteur d'Aspiration
- 11 Bouchon de Vidange du Réservoir de Récupération  
Renverser-et-vider
- 12 Tuyau du Moteur d'Aspiration
- 13 Écrou à oreilles
- 14 Applicateur de décapant (Sprite 16 Pro uniquement)
- 15 Clapet à bille à deux voies (Sprite 16 Pro uniquement)
- 16 Jauge de niveau d'eau (Sprite 16 Pro uniquement)

### FIGURE 5



### FIGURE 4



## POUR RAMASSER L'EAU

- 1 Si la machine a été utilisée pour un ramassage à sec, retirez le système d'assemblage du filtre (si utilisé).
- 2 Placez le Couvercle Dôme (2) au-dessus du Réservoir de récupération (3). Assurez - vous que le Commutateur d'Alimentation Principal (1) est sur la position OFF, puis branchez le Cordon d'Alimentation (6) dans une prise de terre au mur.
- 3 Attachez le Tuyau de Récupération et le Tuyau du Moteur d'Aspiration (12) au Couvercle Dôme (2).
- 4 Connectez l'autre bout du Tuyau de Récupération (8) à l'Embouchure ou Baguette. Les tuyaux et baguettes accessoires et autres attachements sont disponibles chez votre Détaillant Advance local.
- 5 Tournez le Commutateur d'Alimentation Principal (1) sur ON.
- 6 Relâchez la Pédale Monter / Abaisser de l'Embouchure (4) pour abaisser l'Embouchure jusqu'au sol. L'Embouchure ramassera lors des déplacements en avant ou en arrière. **(Ce point ne s'applique qu'à la Prise d'Air uniquement).**
- 7 Ajoutez un produit chimique détruisant la mousse lors du ramassage d'eau savonneuse. Pour ajouter ce produit, tournez d'abord le Commutateur d'Alimentation Principal (1) OFF. Puis retirez le Couvercle Dôme (2) et versez le produit chimique dé moussant dans le Réservoir de Récupération (3). Voyez les recommandations du fabricant pour la quantité appropriée. Remplacez le Couvercle Dôme (2) sur le Réservoir de Récupération (3) et tournez le Commutateur d'Alimentation Principal (1) sur ON. Ajoutez le produit dé moussant chaque fois que le réservoir est vide.
- 8 Le Réservoir de Récupération (3) a un flotteur d'arrêt automatique pour bloquer le système d'aspiration quand le réservoir est plein. Vous pouvez vous rendre compte que le flotteur ferme par le changement soudain du bruit dans le moteur d'aspiration. Quand le flotteur ferme, le réservoir doit être vidé. La machine ne ramassera plus d'eau avec le flotteur fermé.

## POUR RAMASSER LA POUSSIERE ET LA SALETE

- 1 Si la machine a été utilisée pour un ramassage humide, videz le réservoir de récupération (3), rincez-le et séchez-le complètement.  
**NOTE :** le système d'assemblage du filtre optionnel peut également être installé au-dessus de la cage du flotteur sur le couvercle dôme (2) pour un filtrage de l'air d'échappement supplémentaire pendant un ramassage à sec. Le système d'assemblage du filtre est fourni avec des instructions d'installation lorsqu'il est commandé
- 2 Puis placez le Couvercle Dôme (2) au - dessus du Réservoir de Récupération (3).
- 3 Attachez le Tuyau de Récupération (8) et le Tuyau du Moteur d'Aspiration (12) au Couvercle Dôme (2).
- 4 Connectez l'autre bout du tuyau à une baguette fixée sur un instrument de ramassage à sec. Les tuyaux, baguettes et autres attachements accessoires sont disponibles chez votre Détaillant Advance local.
- 5 Branchez le Cordon d'Alimentation (6) dans une prise au mur et tournez le Commutateur d'Alimentation Principal (1) sur ON.

## UTILISATION DE L'APPLICATEUR DE DÉCAPANT

- 1 Si la machine a été utilisée pour un ramassage à sec, retirez le système d'assemblage du filtre (si utilisé).
- 2 Débranchez le cordon électrique de la machine au niveau de la prise murale.
- 3 Si la machine a été utilisée pour un ramassage humide, videz le réservoir de récupération (3) et rincez-le.
- 4 Placez la solution chimique que vous utilisez dans le réservoir de récupération (3) et ne dépassez pas le niveau d'eau MAX indiqué sur la jauge de niveau d'eau (16).
- 5 Place le couvercle dôme (2) au sommet du réservoir de récupération (3). Vérifiez que le commutateur d'alimentation principal (1) est en position d'arrêt (OFF).
- 6 Retirez la raclette (9) et installez l'applicateur de décapant (14) sur le support avant, en serrant à l'aide des deux écrous à oreilles (13). Branchez le tuyau de l'applicateur de décapant (14) au clapet à bille à deux voies (15).
- 7 Relâchez la pédale Monter / Abaisser la raclette (4) pour abaisser l'applicateur de décapant sur le sol. L'applicateur est utilisé pendant un déplacement de la machine en marche arrière.
- 8 Le débit de solution vers l'applicateur est contrôlé en ouvrant et en fermant le clapet à bille à deux voies (15) au niveau du coin avant inférieur gauche du réservoir de récupération (3).

## APRES L'EMPLOI - RAMASSAGE MOUILLE

- 1 Appuyez sur la Pédale Monter / Abaisser de l'Embouchure (4) pour lever l'Embouchure (Prise d'Air uniquement). Tournez le Commutateur d'Alimentation Principal (1) sur OFF et débranchez le Cordon d'Alimentation (6).
- 2 Déplacez la machine vers un lieu assigné aux eaux usées "Lieu de Vidange".
- 3 Retirez le Tuyau de Vidange (5) de son support, dirigez le bout du tuyau vers une zone de vidange assignée et retirez le bouchon. Si une vidange au sol n'est pas disponible, faites reculer la machine jusqu'à des toilettes et retirez le Bouchon de Vidange du Réservoir de Récupération Renvoyer - et - Vider (11). Déconnectez le Tuyau de Récupération (8) et le Tuyau du Moteur d'Aspiration (12). Placez - vous à l'avant de la machine et soulevez le devant du Réservoir de Récupération (3) jusqu'à ce que toute l'eau usée soit drainée dans la cuvette des toilettes, remplacez le bouchon (11).
- 4 Retirez le Couvreclé Dôme (2) du Réservoir de Récupération (3) et rincez le réservoir à l'eau chaude.
- 5 Retirez l'Embouchure (9) ou Baguette et le Tuyau de Récupération (8) et rincez les dans de l'eau chaude.
- 6 Placez le Couvreclé Dôme (2) sur le réservoir pour que l'un des coins du couvercle pointe vers l'avant. Ceci permettra au réservoir de faire circuler l'air.
- 7 Essuyez la machine avec un chiffon humide. Contrôlez le Cahier d'Entretien et procédez à tous travaux d'entretien nécessaires avant l'emmagasinage.
- 8 Emmagasinage la machine à l'intérieur dans un endroit propre et sec.

## APRES L'EMPLOI - RAMASSAGE A SEC

- 1 Tournez le Commutateur d'Alimentation Principal (1) sur OFF et débranchez le Cordon d'Alimentation (6). Retirez le Couvreclé Dôme (2) du Réservoir de Récupération (3).
- 2 Retirez le Système du Récipient Sec et secouez, brossez et aspirez pour un entretien normal.
- 3 Réinstallez le Système du Récipient Sec dans le Réservoir de Récupération (3).
- 4 Si vous utilisez le Système d'Assemblage du Filtre optionnel, retirez le Filtre Sec et secouez et lavez - le.
- 5 Réinstallez le Couvreclé Dôme (2) sur le Réservoir de Récupération (3).
- 6 Essuyez la machine avec un chiffon humide. Contrôlez le Cahier d'Entretien et procédez à tous travaux d'entretien nécessaire avant l'emmagasinage.
- 7 Emmagasinage la machine à l'intérieur dans un endroit propre et sec.

## APRÈS L'UTILISATION – APPLICATEUR DE DÉCAPANT

- 1 Fermez le clapet à bille à deux voies (15) au niveau du coin avant inférieur gauche du réservoir de récupération (3).
- 2 Appuyez sur la pédale Monter / Abaisser la raclette (4) pour monter l'applicateur.
- 3 Retirez le Couvreclé Dôme (2) du Réservoir de Récupération (3) et rincez le réservoir à l'eau chaude.
- 4 Retirez l'applicateur de décapant (14) et rincez-le à l'eau chaude.
- 5 Placez le Couvreclé Dôme (2) sur le réservoir pour que l'un des coins du couvercle pointe vers l'avant. Ceci permettra au réservoir de faire circuler l'air.
- 6 Essuyez la machine avec un chiffon humide. Contrôlez le Cahier d'Entretien et procédez à tous travaux d'entretien nécessaires avant l'emmagasinage.
- 7 Emmagasinage la machine à l'intérieur dans un endroit propre et sec.

## LUBRIFICATION

Lubrifiez les pivots crénelés et les points de pivots haut / bas de l'embouchure avec de l'huile claire pour machine.

## LES BROSSES DU MOTEUR D'ASPIRATION

Demandez à votre détaillant Advance de contrôler les brosses du moteur carbone une fois par an ou après 500 heures de fonctionnement.

## IMPORTANT !

Un dommage du moteur résultant d'un manque d'entretien des brosses de carbone n'est pas couvert par la garantie. Consultez la Déclaration de Garantie Limitée.

## PRUDENCE !

Débranchez le Cordon d'Alimentation (6) avant de procéder à tout entretien de la machine.





**CAHIER D'ENTRETIEN**

Sujet D'entretien	Quotidien	Mensuel	Annuel
Nettoyer le Réservoir de Récupération	X		
Nettoyer l'Ecran du Flotteur	X		
Nettoyer l'Embouchure	X		
Nettoyer le Système du Récipient Sec	X		
Inspecter les réservoirs et les tuyaux	X		
Lubrification		X	
Inspecter et Nettoyer le Moteur d'Aspiration			
Filtres d'entrée et de sortie		X	
* Contrôler Brosses du Moteur d'Aspiration			X

\* Demandez à votre détaillant Advance de contrôler les brosses du moteur carbone une fois par an ou après 500 heures de fonctionnement.

**SPECIFICATIONS TECHNIQUES**

Modelo		Sprite 16	Sprite 16 Pro
Numéro du Modèle		56381746	56381727
Voltage/Fréquence	V/Hz	120V / 50-60Hz	120V / 50-60Hz
Puissance graduée	W	800	800
Classe de Protection (électrique)			
Niveau de pression du son (IEC 60704-2-1)	dBLpA, 3dB KpA	71.8	71.8
Poids total	livres/kg	76/34.5	80/36.3







**Advance**

14600 21st Avenue North  
Plymouth, MN 55447-3408

[www.advance-us.com](http://www.advance-us.com)

Phone: 800-989-2235

Fax: 800-989-6566

©2010 Nilfisk-Advance, Inc.

---

**A Nilfisk-Advance Brand**