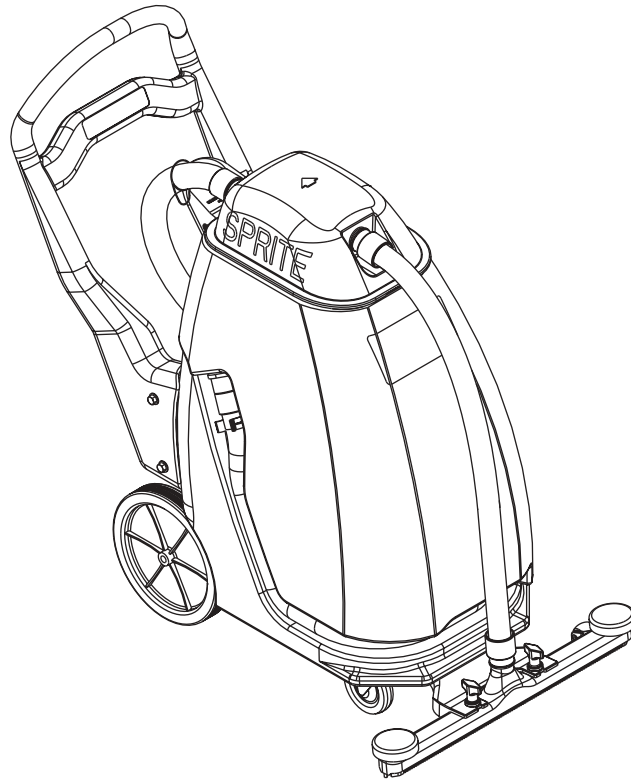


# Sprite Air Scoop™ 12, 16

## Sprite™ 12, 16



### **PARTS LIST**

**Advance MODELS 56209091, 56209092, 56209071, 56209072, the following MODELS are Obsolete 56209169, 56209170, 56209199, 56209220, 56209225, 56209123, 56209124, 56209144**

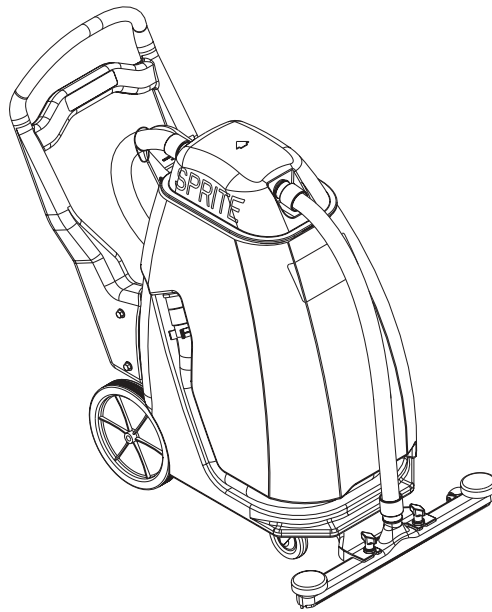
This parts list is for machines after serial number 1149855



# Advance

*by Nilfisk-Advance*

8/96 revised 6/02 FORM NO. 56042311

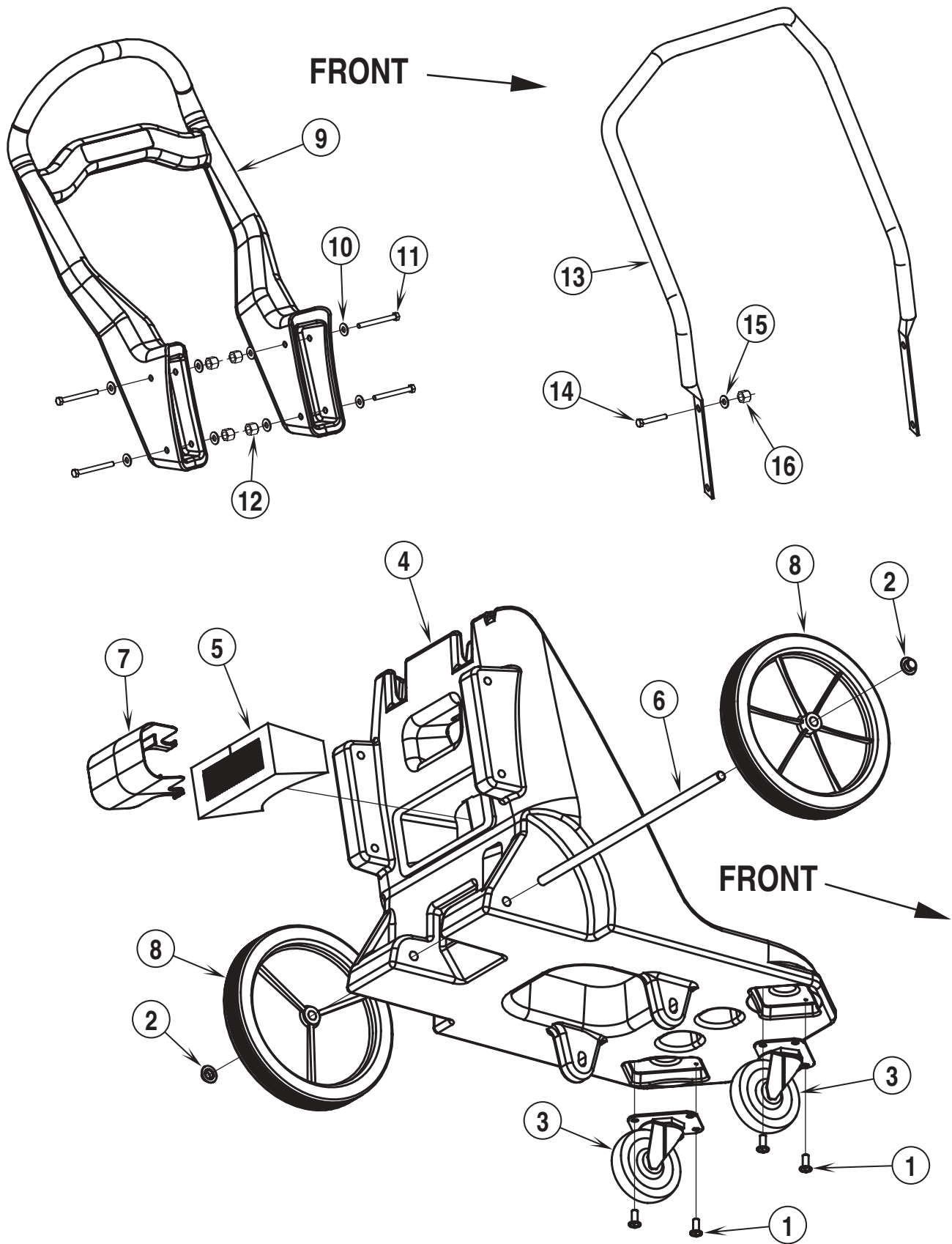


DESCRIPTION	PAGE
Handle and Chassis System .....	4-5
Vacuum Motor System .....	6-7
Tank System .....	8-9
Squeegee Lift System (Air Scoop) .....	10-11
Secondary Filter Kit .....	12
Dry Filter Bag Kit (optional) .....	13
Tip and Pour Assist Kit (optional) .....	14-15
Wiring Diagrams .....	16-17
Optional Tool Kits .....	18

#### WHEN ORDERING PARTS

- \* Use the 8 digit numbers from the "Ref. No." columns in this parts list.
- \* Specify the model and serial number of the machine.
- \* Use the space below to record the model and serial number for future reference.

Model \_\_\_\_\_ Serial No. \_\_\_\_\_

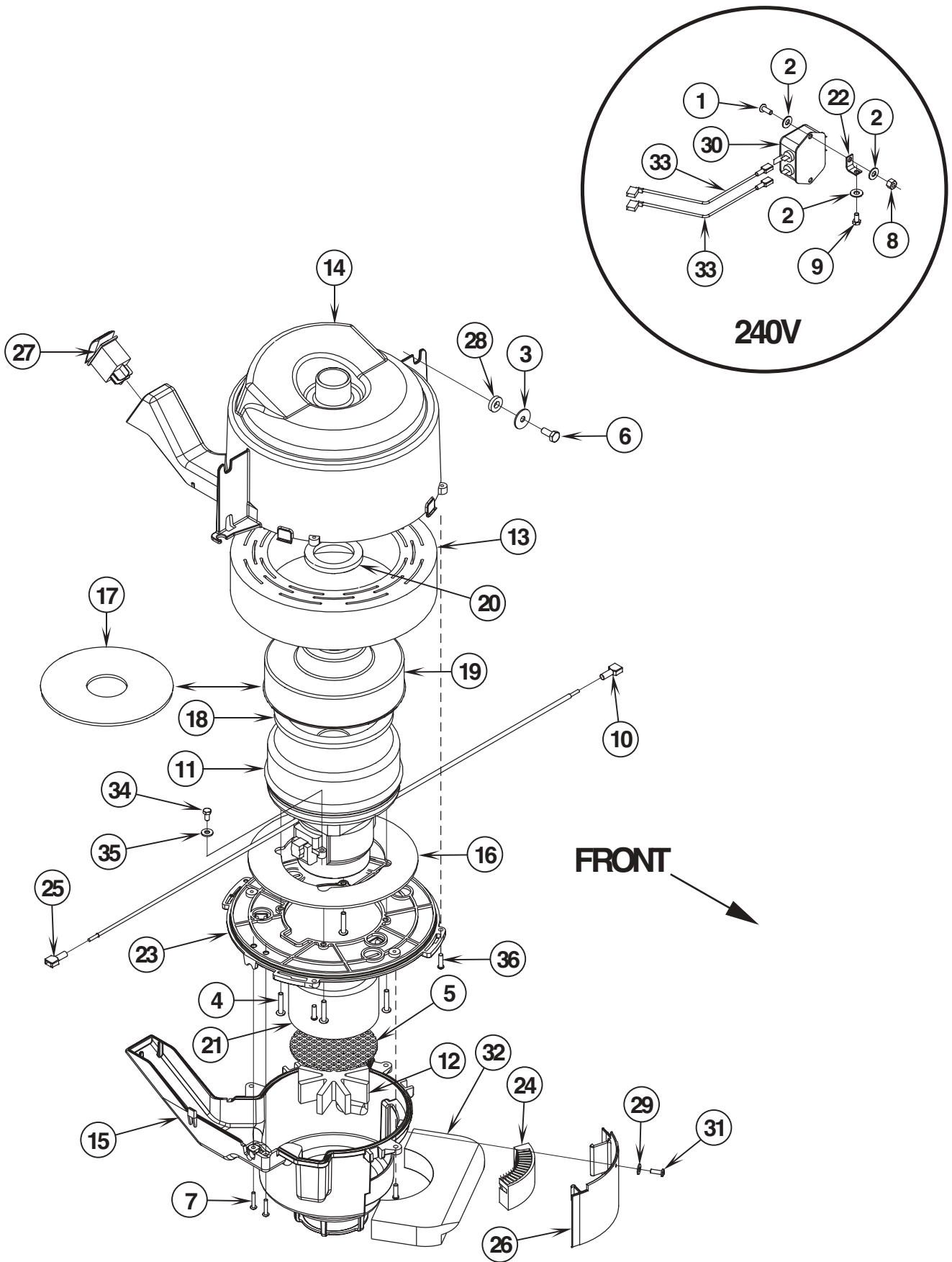


96-8	<b>HANDLE AND CHASSIS SYSTEM</b>		
01-5	<b>Sprite 12/16</b>		<b>5</b>

Item	Ref. No.	Qty	Description
1	56002155	4	Scr, Hex Hd 1/4-20 x .75
2	56009097	2	Nut, Push Cap 1/2
3	56209076	2	Caster, 4"
4	56209077	1	Chassis
5	56209087	1	Silencer
6	56209094	1	Axle, Wheel
7	56209177	1	Deflector, Exhaust
8	56249505	2	Wheel
9	56209079	1	Handle <b>(Sprite) NOTE</b>
*	56209202	1	Handle <b>(Air Scoop-HP) NOTE</b>
*	56209202	1	Handle <b>(Sprite-HP) NOTE</b>
*	56209079	1	Handle <b>(Air Scoop) NOTE</b>
10	56002910	8	Wsh, Flt SAE SS 3/8
11	56002284	4	Scr, Hex Hd 3/8-16 x 3.25
12	56002769	4	Nut, Hex Nyl Loc 3/8-16
13	56209247	1	Handle, Metal <b>(240V)</b>
	56209222	1	Handle, Metal <b>(100V)</b>
14	56002684	4	Scr, Hex Hd 3/8-16 x 1.75 <b>(100V / 240V)</b>
15	56002063	1	Wsh, Flt SAE 3/8
16	56002769	4	Nut, Hex Nyl Loc 3/8-16

\* = Not Shown

**NOTE:** These handles are for 120V models only.

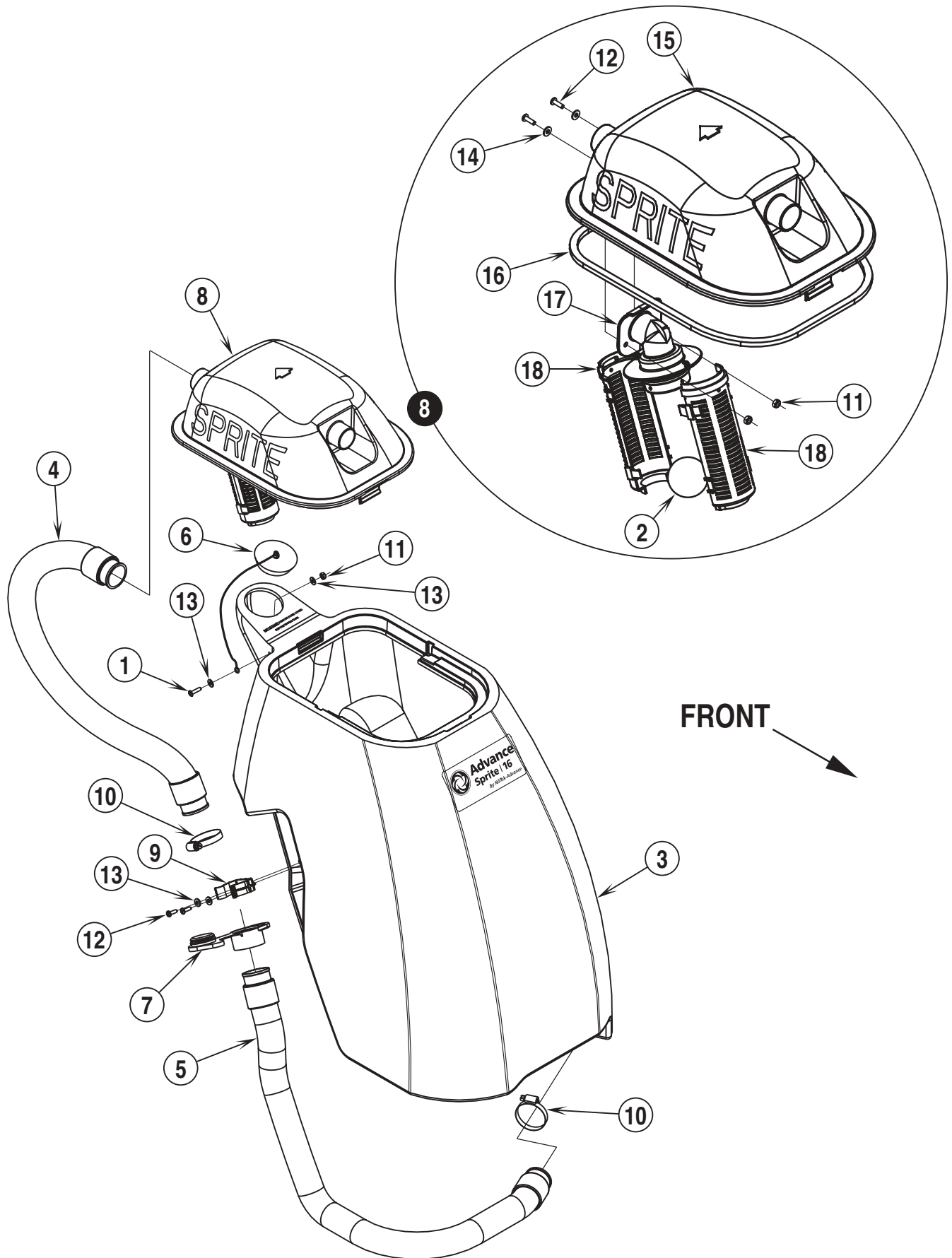


96-8	<b>VACUUM MOTOR SYSTEM</b>			
02-6	<b>Sprite 12/16</b>			<b>7</b>

Item	Ref. No.	Qty	Description
1	56001993	1	Scr, Pan Phil 10-24 x .50 (240V)
2	56002053	3	Wsh, Flt STD #10 (240V)
3	56009002	4	Wsh, Flt .266 x .906 x .060
4	56003112	4	Scr, Pan Phil Plastite 10-14 x 1.00
5	56209253	1	Screen
6	56001836	4	Scr, Hex Hd 1/4-20 x .62
7	56003331	2	Scr, Pan Phil SS 6-32 x .75
8	56009009	1	Nut, Hex Machine 10-24 (240V)
9	56009012	1	Scr, Hex Thd Form 10-24 x .38 (240V)
10	56469382	1	Term .250 Ins Tab
11	56209142	1	Motor, Vacuum (120V STD)
	56209095	1	Motor, Vacuum (120V HP)
	56209151	1	Motor, Vacuum (100V STD)
	56209152	1	Motor, Vacuum (100V HP)
	56209153	1	Motor, Vacuum (240V HP)
*	56203518	1	Carbon Brush Set (STD)
*	56228051	2	Bearing (STD)
*	56208191	2	Rotating Fan (STD)
12	56209080	1	Filter, Cool Air Intake
13	56209086	1	Dampener, Acoustical
14	56209097	1	Cover, Upper Motor <b>TSBUS2002-818</b>
15	56209099	1	Cover, Lower Motor <b>TSBUS2002-818</b>
16	56209116	1	Gasket, Motor
17	56209126	1	Plate, Stiffener (HP Model)
18	56209127	1	Gasket, Upper
19	56209210	1	Plate, Stiffener (STD Model)
20	56209129	1	Gasket, Motor Cover
21	56209172	1	Seal, Motor Lower
22	56209189	1	Bracket, RFI Filter (240V)
23	56209192	1	Base Assy, Motor <b>TSBUS2002-818</b>
24	56209195	1	Dampener, Cooling Air Acoustical
25	56469384	1	Receptacle Tab .25
26	56209251	1	Guard
27	56209321	1	Switch, Rocker DPST
28	56706095	4	Washer, Rubber
29	56002140	1	Wsh, Flt SAE #8
30	56324365	1	Filter Assy, RFI (240V)
31	56003093	1	Scr, Pan Phil Plastite 8-15 x .50
32	56209252	1	Deflector
33	56209200	2	Wire Assy (240V)
34	56009012	1	Scr, Hex Thd Form 10-24 x .38 (120V)
35	56009011	1	Wsh, Int Shprf #10 (120V)
36	56002738	7	Scr, Pan Phil Plastite 8-15 x .62
*	56209341	1	Cord Set, 14 x 2 x 50' Black (100V)
*	56209221	1	Cord Set, 14/3 x 50' Black (120V)
*	56209340	1	Cord Set, 2 x 1.00 x 50' Black (240V)
**	56209628	1	120V STD Power Module Kit (all items on this page)
**	56209629	1	100V STD Power Module Kit (all items on this page)
**	56209631	1	120V HP Power Module Kit (all items on this page)
**	56209632	1	240V HP Power Module Kit (all items on this page)
**	56209633	1	100V HP Power Module Kit (all items on this page)

\* = Not Shown

\*\* = Optional

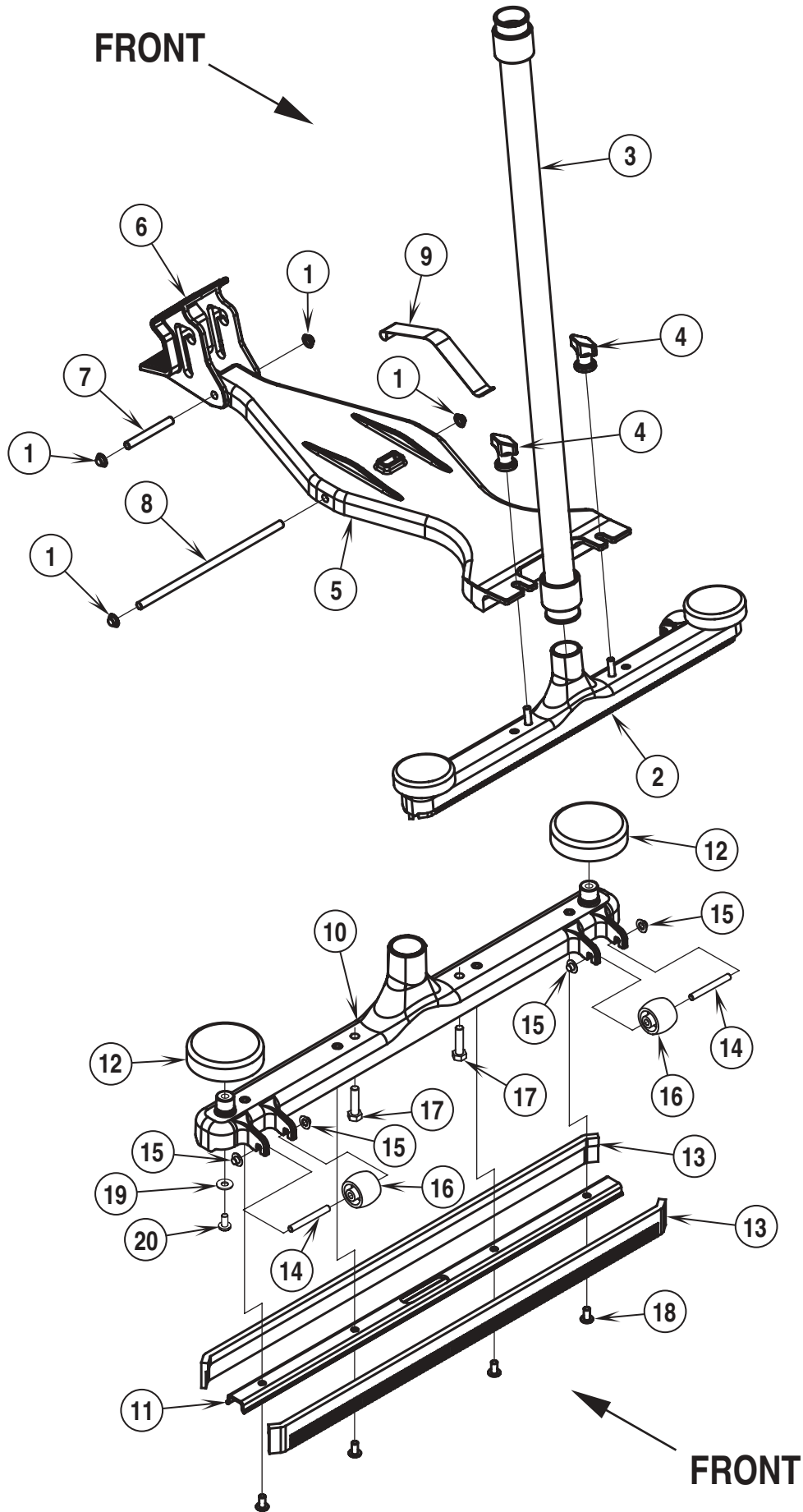


96-8	<b>TANK SYSTEM</b>		
01-5	<b>Sprite 12/16</b>		<b>9</b>

Item	Ref. No.	Qty	Description
1	56002894	1	Scr, Pan Phil SS 10-24 x .75
2	56391690	1	Ball, Float
3	56209078	1	12 Gallon Tank
*	56209178	1	16 Gallon Tank
4	56209108	1	Vacuum Motor Hose
5	56209109	1	Drain Hose
6	56209114	1	Stopper, Rubber
7	56209176	1	Plug, Hose
8	56209081	1	Printed Gray Cover Assembly ( <b>std / 120V models</b> ) (#2, 11-18)
	56209229	1	Printed Clear Cover Assembly ( <b>optional / 120V models</b> ) (#2, 11-18)
	56209184	1	Gray Cover Assembly ( <b>std 240V models</b> ) (#2, 11-18)
	56209230	1	Clear Cover Assembly ( <b>optional 240V models</b> ) (#2, 1-18)
	56209135	1	Clear Cover Assembly ( <b>100V 12A/S</b> ) (#2, 11, 12, 14-18)
9	56250266	1	Clamp, Plastic
10	56329145	2	Clamp, Hose 324
11	56002849	3	Nut, Hex Nyl Loc-Thin SS 10-24 ( <b>Qty. 2 - 56209135</b> )
12	56002896	4	Scr, Pan Phil SS 10-24 x .62 ( <b>Qty. 2 - 56209135</b> )
13	56002916	4	Wsh, Flt SAE SS #10
14	56209261	2	Washer, Sealing 9/16
15	56209082	1	Cover, Printed Gray Dome ( <b>std / 120V models</b> )
	56209197	1	Cover, Printed Clear Dome ( <b>optional / 120V models &amp; model #56209220</b> )
	56209110	1	Cover, Gray Dome ( <b>std / 240V models</b> )
	56209196	1	Cover, Clear Dome ( <b>std / 240V models</b> )
16	56209083	1	Gasket, Cover
17	56209084	1	Elbow, Float
18	56324497	2	Cage, Float

\* = Not Shown





96-8	<b>SQUEEGEE LIFT SYSTEM (AIR SCOOP)</b>		
01-5	<b>Sprite 12/16</b>		<b>11</b>

Item	Ref. No.	Qty	Description
1	56009123	4	Nut, Push Cap 3/8
2	56209088	1	24" Squeegee Assy <b>STD (#10-20)</b>
	56209089	1	30" Squeegee Assy <b>OPT (#10-20)</b>
3	56209109	1	Hose Ass'y 1.50
4	56209154	2	Nut, Thumb
5	56209158	1	Squeegee Lift
6	56209159	1	Pedal
7	56209160	1	Axle,Pedal
8	56209161	1	Axle,Base
9	56209162	1	Spring
10	56209155	1	Housing, Squeegee 24"
*	56209156	1	Housing, Squeegee 30"
11	56209130	1	Retainer, Squeegee 24"
*	56209131	1	Retainer, Squeegee 30"
12	56209157	2	Bumper,Side Roller
13	56105533	2	Blade 24"
*	56105509	2	Blade 30"
14	56209150	2	Axle
15	56009132	4	Nut, Push Cap 1/4
16	56329554	2	Roller
17	56002884	2	Scr,Hex Hd SS 5/16-18X1.25
18	56003119	4	Scr,Pan Phil SS 1/4-20X.50
19	56009205	2	Wsh, Flt SS #10
20	56009237	2	Scr, Pan Phil SS Type 8 10-16 x .38
**	56209254	A/R	24" Squeegee Lift Kit <b>(#1-20)</b>
**	56209219	A/R	30" Squeegee Lift Kit <b>(#1-20)</b>

\* = Not Shown

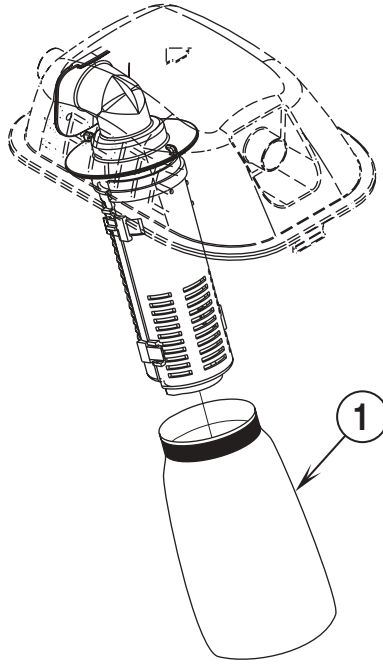
\*\* = Optional

**SECONDARY FILTER KIT**

96-8

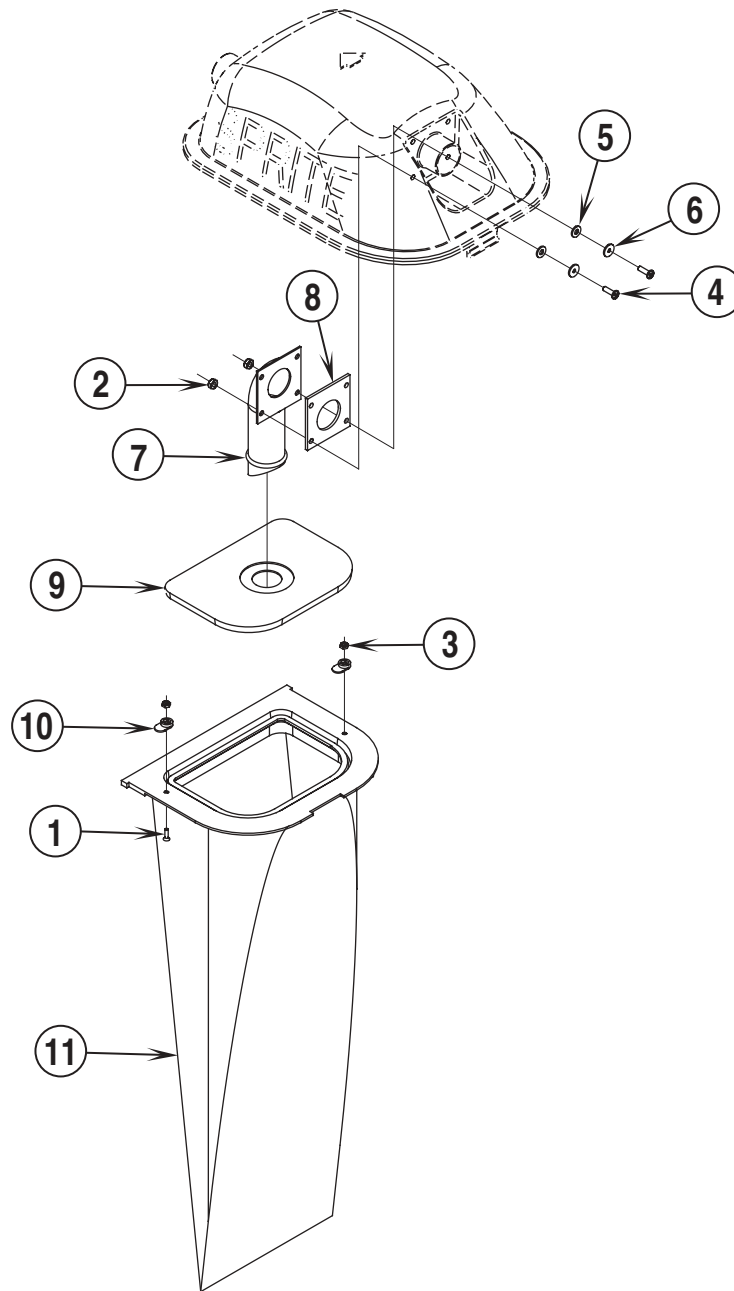
**12****Sprite 12/16**

01-5



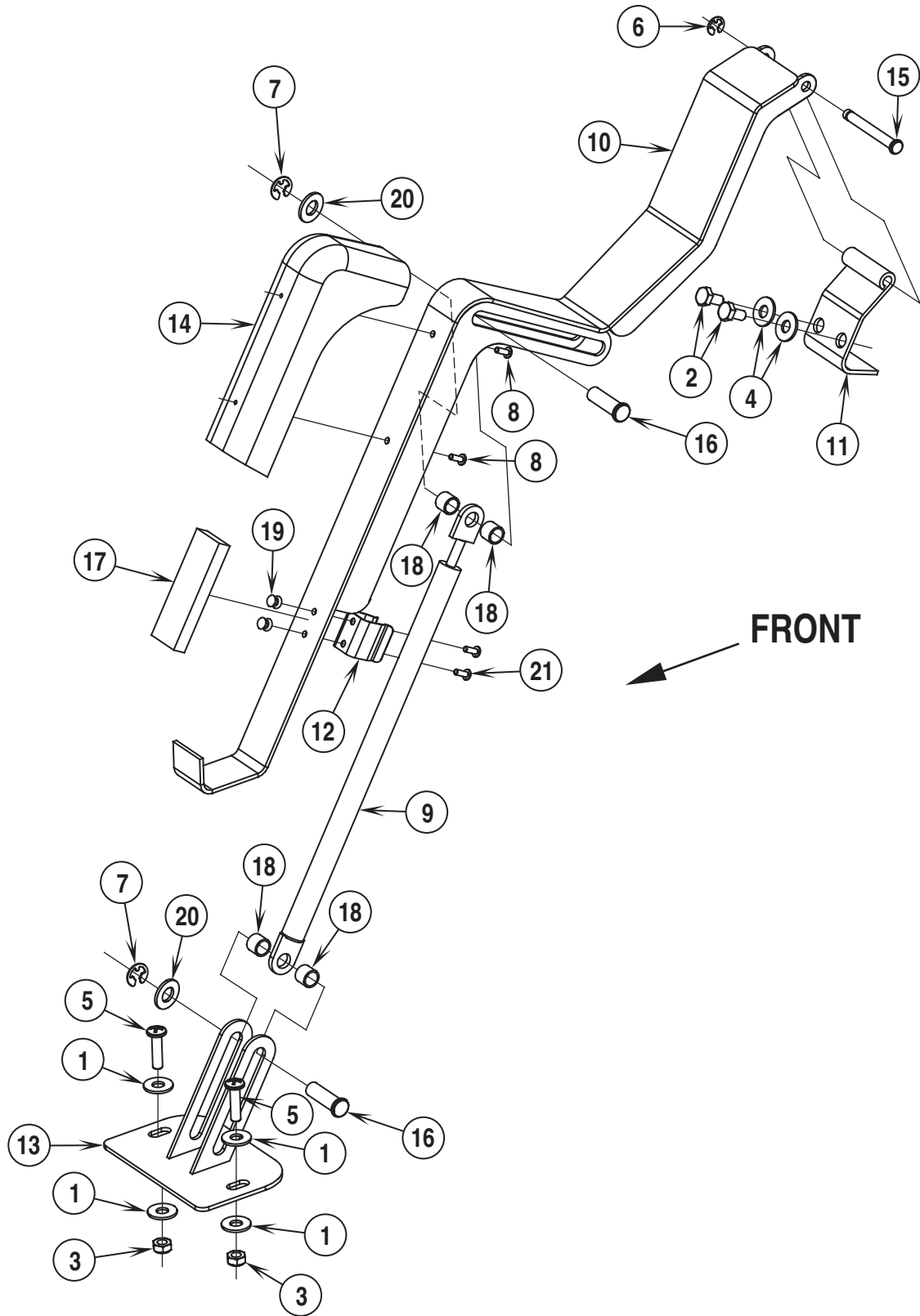
Item	Ref. No.	Qty	Description
	56209490	1	Secondary Filter Kit 70 PPI ( <b>std.</b> )
	56209268	1	Secondary Filter Kit 100 PPI ( <b>opt.</b> )
	56040624	1	Instruction Sheet
1	56209269	1	Filter, 70 PPI ( <b>kit 56209490</b> )
	56209267	1	Filter, 100 PPI ( <b>kit 56209268</b> )

**\*Note:** Standard on Sprite, optional on Sprite Air Scoop.



Item	Ref. No.	Qty	Description
	56209256	1	Dry Filter Bag Kit (#1-11)
*	56040577	1	Instruction Sheet
1	56002816	2	Scr, Flt Phil 6-32 x .50
2	56002849	4	Nut, Hex Nyl Loc-Thin SS 10-24
3	56002864	2	Nut, Hex Nyl Loc-Thin 6-32
4	56002896	4	Scr, Pan Phil SS 10-24 x .62
5	56002916	4	Wsh, Flt SAE SS #10
6	56009200	4	Wsh, Flt Neoprene
7	56209239	1	Tube
8	56209240	1	Gasket
9	56209241	1	Cloth Bag Cover Assy
10	56209244	2	Clip, Bag
11	56209246	1	Cloth Bag Assy
*	56209258	1	Template

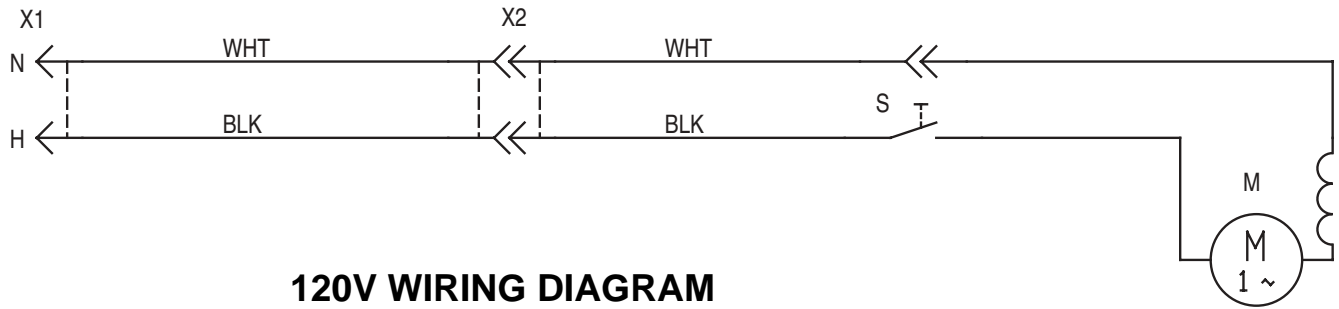
\* = Not Shown



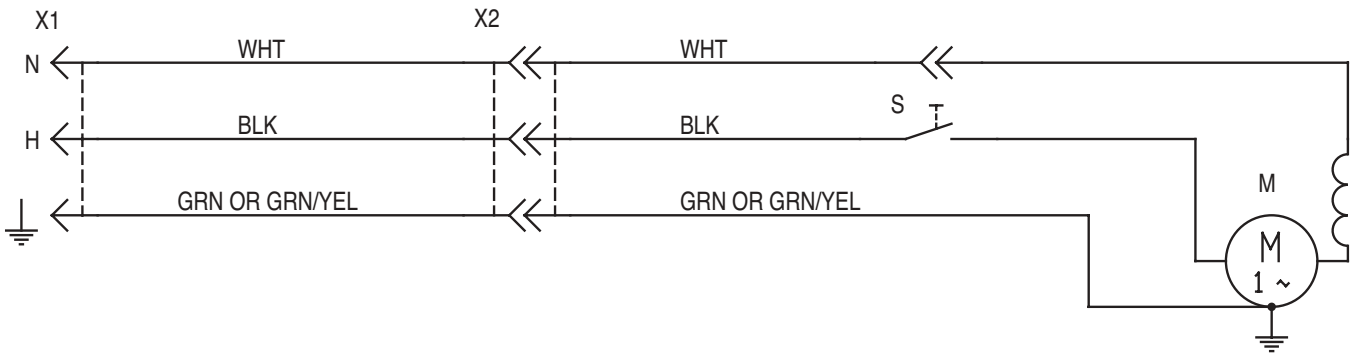
Item	Ref. No.	Qty	Description
	56209257	1	Tip and Pour Assist Kit (#1-21)
*	56040578	1	Instruction Sheet
1	56001906	4	Wsh, Flt Std 1/4
2	56002801	2	Scr,Hex Hd SS 1/4-20X.50
3	56002850	2	Nut,Hex Nyl Loc-Thin SS 1/4-20
4	56002914	2	Wsh, Flt STD SS 1/4
5	56003067	2	Scr,Pan Phil SS 1/4-20X1.00
6	56003268	1	Ring, Ret Ext Type E Reinf. 0.25 Dia
7	56003269	2	Ring, Ret Ext Type E Reinf. 0.38 Dia
8	56009178	2	Scr, Pan Phil Thd Form 6-32X.38
9	56209119	1	Cylinder, Gas
10	56209120	1	Weldment, Lift Assist
11	56209121	1	Hinge, Assist
12	56209194	1	Spring Clip
13	56209205	1	Weldment, Base
14	56209208	1	Bracket, Lift Assist
15	56209211	1	Pin, Grooved, .250X1.190
16	56209213	2	Pin, .375X1.25
17	56209214	1	Pad, Foam
18	56209235	4	Bushing
19	56002864	2	Nut, Hex Nyl Loc-Thin 6-32
20	56009047	2	Wsh, Flt .39 x .62 x .06
21	56009044	2	Scr, Pan Phil 6-32 x .31

\* = Not Shown

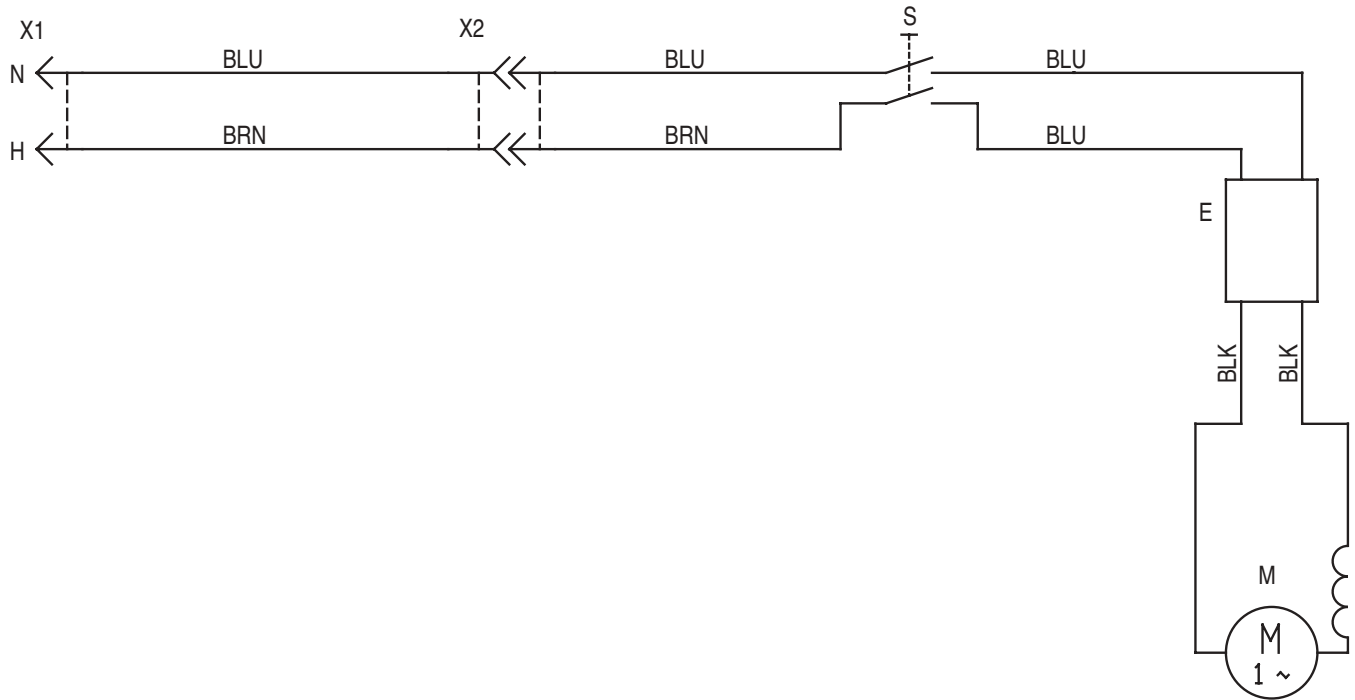
100V WIRING DIAGRAM



120V WIRING DIAGRAM



240V WIRING DIAGRAM



**100V WIRING DIAGRAM**

Item	Ref. No.	Qty	Description
S	56262551	1	Switch, Main
M	56209151	1	Motor, Vacuum (STD Model)
	56209152	1	Motor, Vacuum (HP Model)

**120V WIRING DIAGRAM**

Item	Ref. No.	Qty	Description
S	56262551	1	Switch, Main
M	56207802	1	Motor, Vacuum (STD Model)
	56209095	1	Motor, Vacuum (HP Model)

**240V WIRING DIAGRAM**

Item	Ref. No.	Qty	Description
E	56324365	1	Filter Assy, RFI
S	56260204	1	Switch, Main
M	56209153	1	Motor, Vacuum



	<b>OPTIONAL TOOL KITS</b>	96-8
<b>18</b>	<b>Sprite 12/16</b>	01-5

Ref. No.	Qty	Description
56209224	1	Standard Tool Kit ( <b>standard on Sprite / optional for Sprite Air Scoop</b> )
56204213	1	Vacuum Hose 1.50" Assembly
56100376	1	11" Crevice Tool
56100375	1	5" Upholstery Tool
56100377	1	3" Round Dusting Brush
56209233	1	14" ABS Squeegee
56209234	1	54" Two Piece Two Bend Chromed Steel Wand
56100372	1	14" Hard Floor Tool
56100373	1	14" Soft Floor Tool
56390001	1	Dry Pick Up Kit ( <b>optional</b> )
56205314	1	14" Vandar Carpet Tool
56205414	1	14" Vandar Bristle Tool
56204528	1	Crevice Tool
56701088	1	Dust Brush Tool
56701093	1	Upholstery Tool
56701023	1	Slide-On Brush
56390000	1	Wet Pick Up Kit ( <b>optional</b> )
56205114	1	14" Vandar Squeegee Tool
56202088	1	Steel Wand
56204213	1	1.50" x 10' Hose Assembly
56209514	1	Tool Caddy ( <b>optional</b> ) (holds tools listed above)



Nilfisk-Advance, Inc.  
14600 21st Avenue North  
Plymouth, MN, 55447-3408  
[www.nilfisk-advance.com](http://www.nilfisk-advance.com)  
Phone: 800-989-2235  
Fax: 800-989-6566  
©2000 Nilfisk-Advance, Inc.,  
Plymouth, MN 55447-3408  
Printed in the U.S.A.