**DESCRIPTION****PLAN**

Motor and motor parts	2
Electrical parts	4
Container parts	6
Straps	8
Filters	10
Nozzles 1.5 Inch, 38 mm	12
Wands, hose 1.5 Inch, 38 mm	14
Wiring diagram	15

WHEN ORDERING PARTS

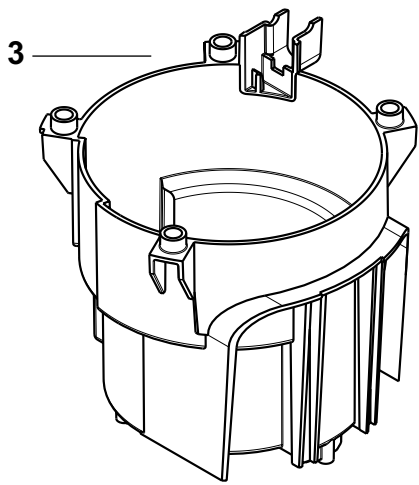
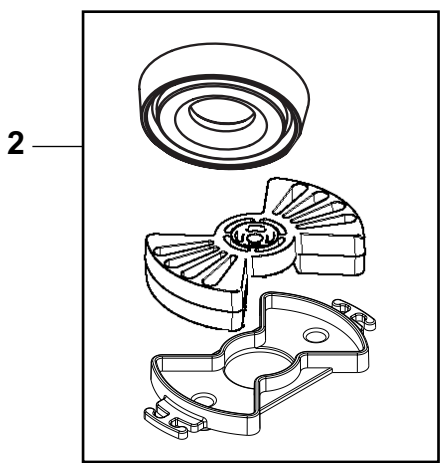
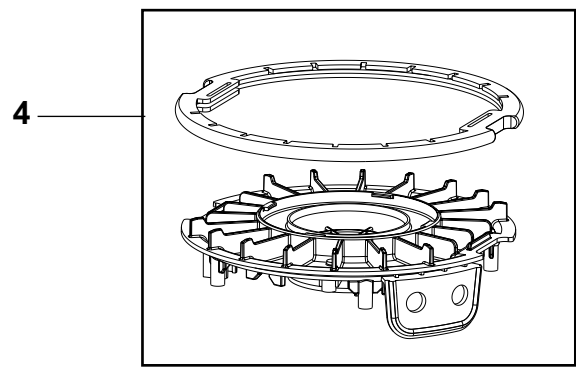
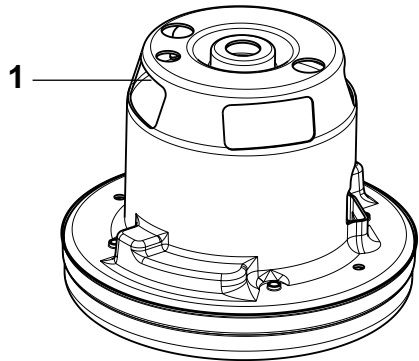
- * Use the digit numbers from the "Part No." columns in this spare parts list.
- * Specify the model and serial number of the machine.
- * Use the space below to record the model and serial number for future reference.

Model _____ Serial no. _____

USA
 Nilfisk-Advance Inc.
 14600 21st Avenue North
 Plymouth, MN 55447-3408
 Tel.: (763) 745 3500
 Fax : (763) 745 3718

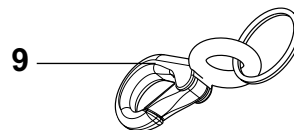
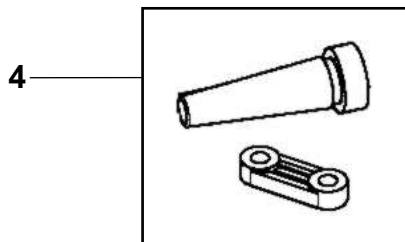
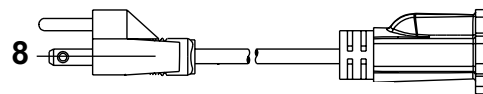
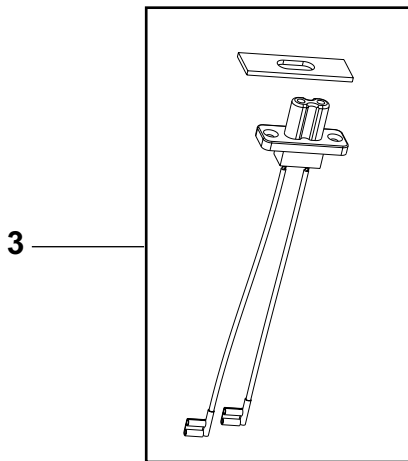
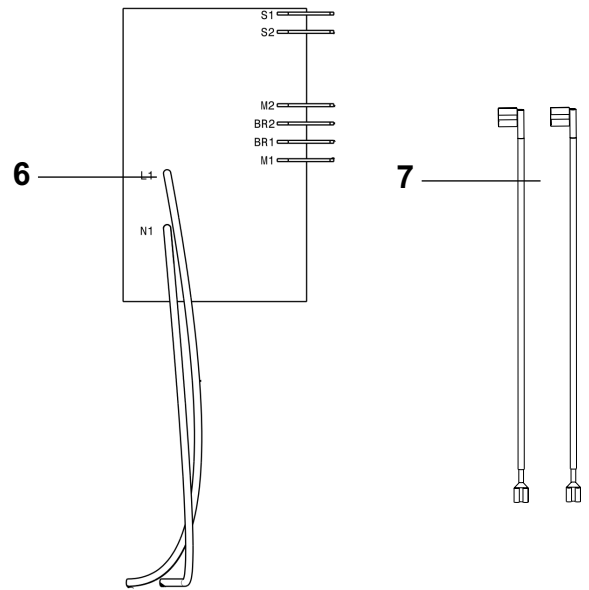
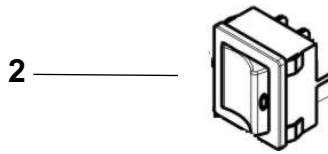
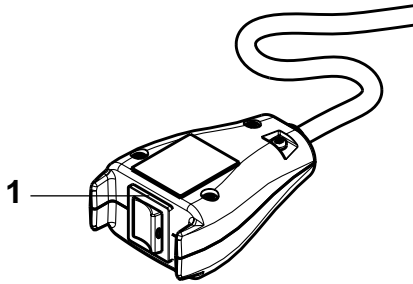
Canada
 Nilfisk-Advance Canada Company
 396 Watline Avenue
 Mississauga
 Ontario, L4Z 1X2
 Tel.: 905-712-3260
 Fax: 905-712-3255

www.mn.nilfisk-advance.com



08-02	Advance Adgility 6XP, 10XP	823 0101 000		
	MOTOR AND MOTOR PARTS			3

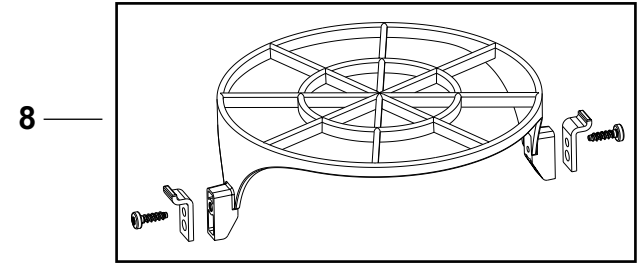
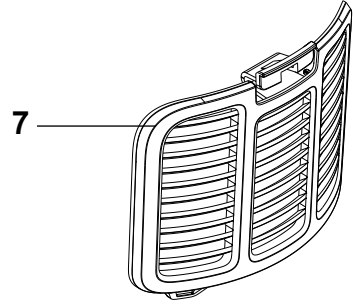
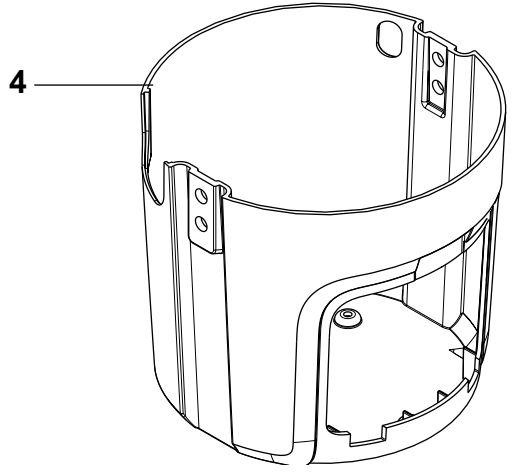
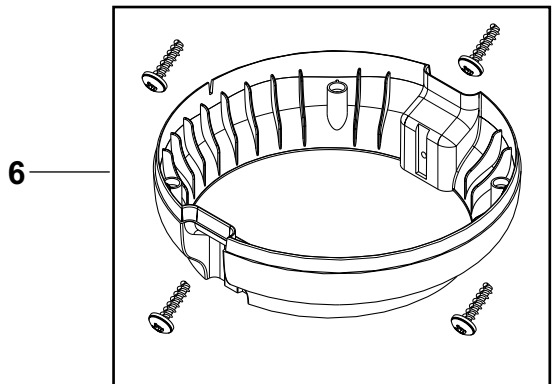
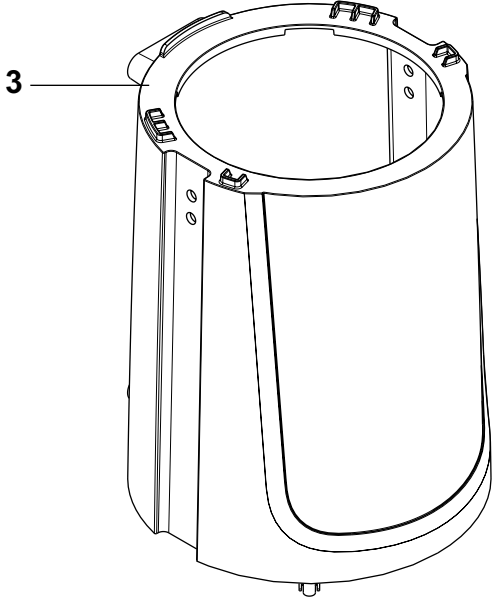
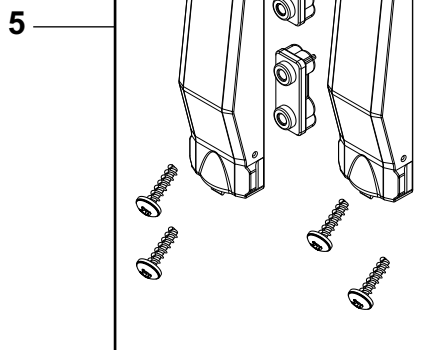
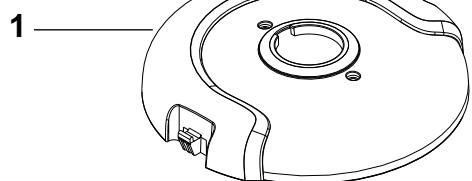
Item	Part No.	Qty.	Description	Note
1	147 1109 500	1	Fan unit 100 -120V, 1300W	
2	147 1111 500	1	Motor suspension kit	
3	147 1088 510	1	Motor cover, UL-approved	
4	147 1086 510	1	Chassis, UL-approved	



08-02	Advance Adgility 6XP, 10XP	823 0101 000		
	ELECTRICAL PARTS			5

Item	Part No.	Qty.	Description	Note
1	147 1105 500	1	Switch cpl.	
2	140 5496 510	1	Switch	
3	140 8497 530	1	Connector	
4	140 7035 510	1	Sleeve kit	Anti strain clip incl.
5	140 3859 500	1	Cord set US/TW plug, machine end.	1.3 ft (400 mm)
6	147 1231 510	1	Curcuit board 100-120V	
7	140 7042 520	1	Internal wire kit	2 Wires incl.
8	147 1243 500	1	Cord extension	50 ft (15.5 m) Colour: Yellow. 16 AWG
9	147 1346 500	1	Anti strain snap hook	

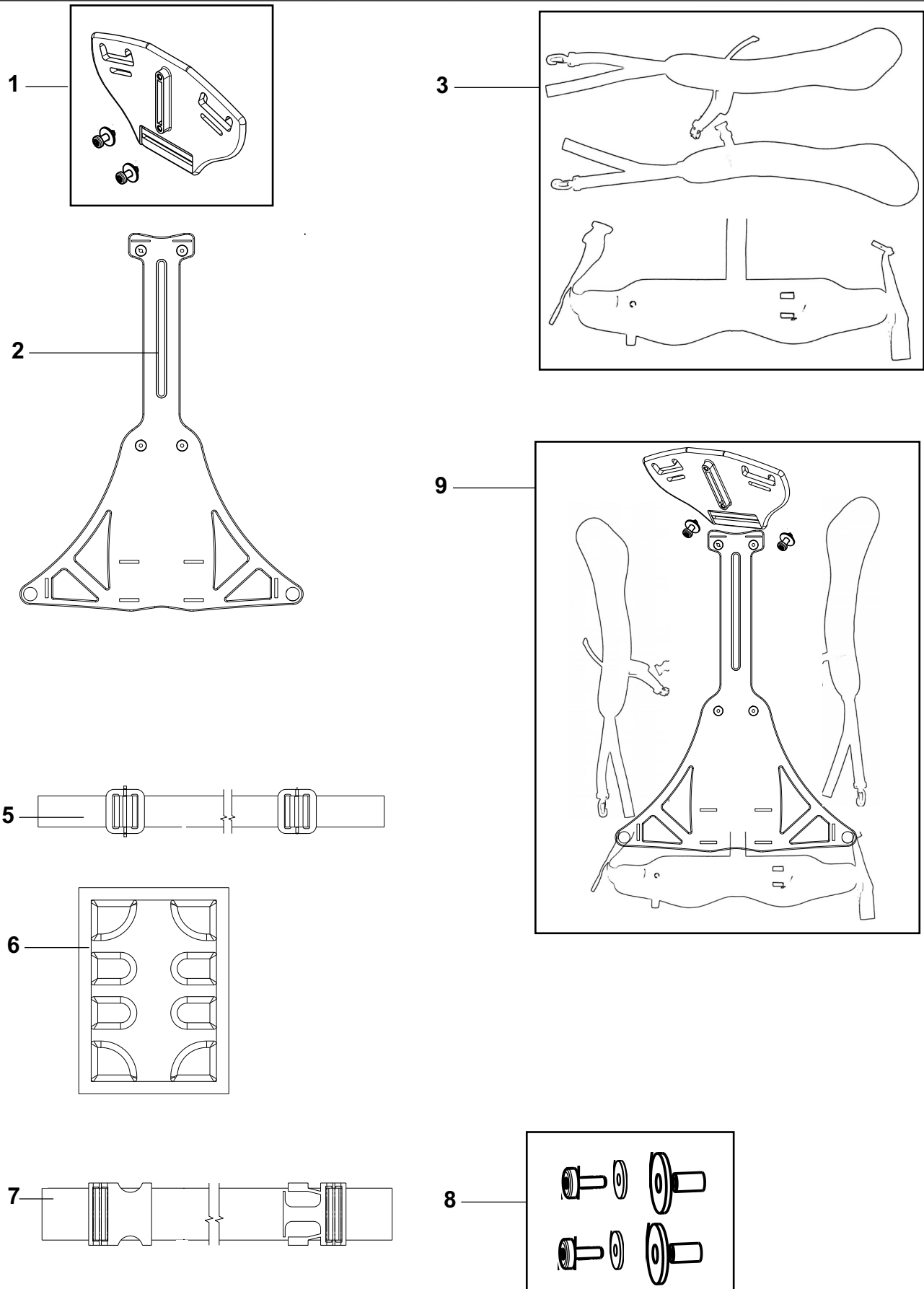
CONTAINER PARTS



08-02	Advance Adgility 6XP, 10XP	823 0101 000		
	CONTAINER PARTS			7

Item	Part No.	Qty.	Description	Note
1	147 1077 500	1	Outer lid, for 6XP	Grey
1	147 1080 500	1	Outer lid, for 10XP	Grey
3	147 1076 500	1	Container, for 6XP	Grey
3	147 1079 500	1	Container, for 10XP	Grey
4	147 1075 520	1	Cover outer	
4	147 1075 530	1	Cover outer, power outlet	Gasket incl.
5	147 1101 500	1	Latch kit	2 latches, screws and screw towers.
6	147 1078 500	1	Adapter, for 10XP	Screws incl.
7	147 1082 500	1	Grid exhaust	
8	147 1115 500	1	Basket sack filter	Hooks and screws incl.

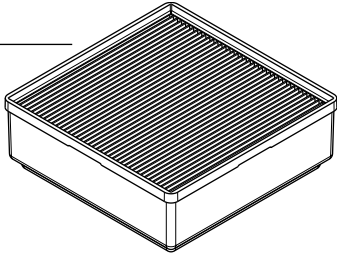
STRAPS PARTS



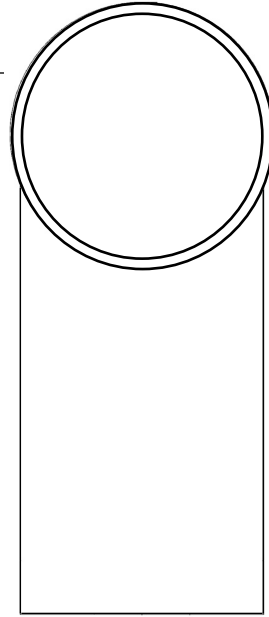
08-02	Advance Adgility 6XP, 10XP	823 0101 000		
	STRAPS PARTS			9

Item	Part No.	Qty.	Description	Note
1	147 1092 500	1	Adjusting plate	
2	147 1091 500	1	Harness support	
3	147 1246 500	1	Harness premium	Screws and washers incl.
5	147 1247 500	1	Lifting strap	
6	147 1248 500	1	Padding, back plate	
7	147 1249 500	1	Extension belt	L=400 mm
8	147 1246 600	1	Screw kit	For harness premium
9	147 1246 510	1	Harness premium cpl.	

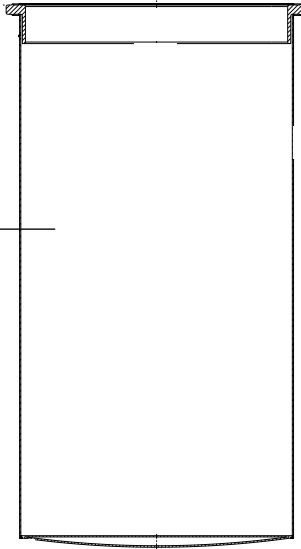
1



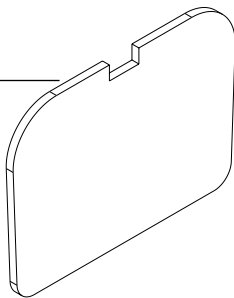
4



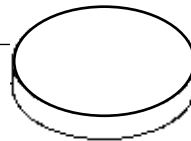
2



3

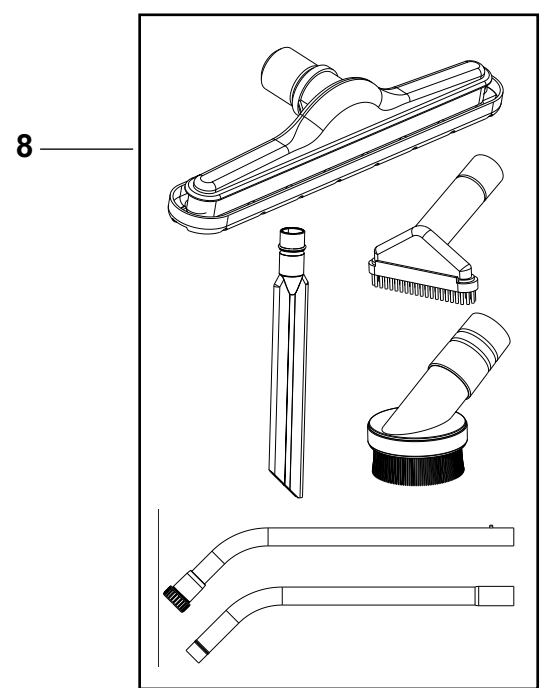
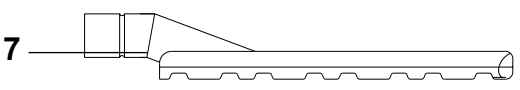
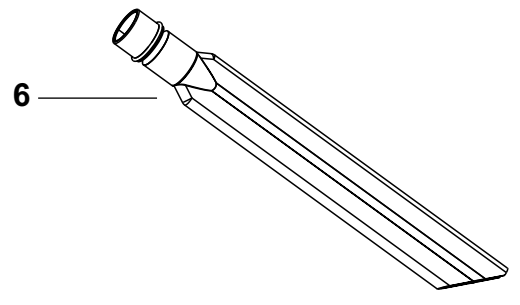
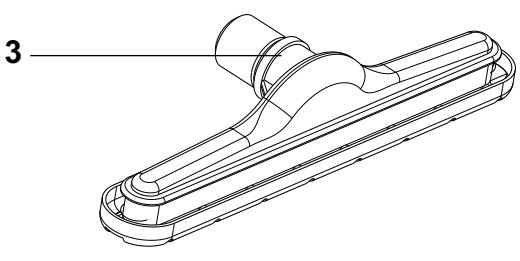
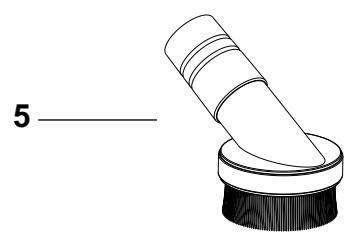
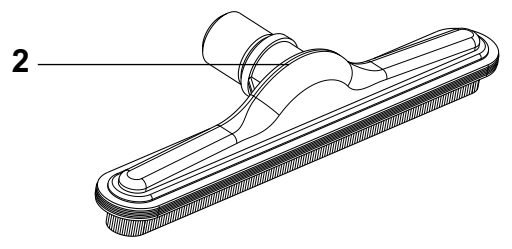
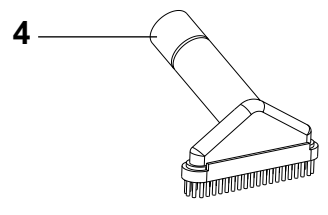
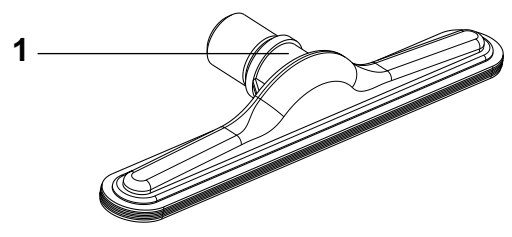


5



08-02	Advance Adgility 6XP, 10XP	823 0101 000		
	FILTERS			11

Item	Part No.	Qty.	Description	Note
1	147 1104 500	1	HEPA-filter cpl.	
2	147 1100 500	1	Sack filter, for 6XP	
2	147 1099 500	1	Sack filter, for 10XP	
3	147 1089 500	1	Exhaust filter	3 pcs.
4	147 1098 500	1	Dustbag, for 6XP (1.3 Gallon, 5L)	5 pcs.
4	147 1097 500	1	Dustbag, for 10XP (2.6 Gallon, 10 L)	5 pcs.
5	147 1095 500	1	Prefilter	3 psc.



08-02	Advance Adgility 6XP, 10XP	823 0101 000		
	NOZZLES Ø 1.5 Inch, 38 mm			13

Item	Part No.	Qty.	Description	Note
1	147 1383 520	1	Scallop carpet floor tool	
2	147 1383 510	1	Hard floor brush tool	
3	147 1383 500	1	Quick-Glide multi surface floor tool	
4	147 1384 500	1	Upholstery tool	
5	147 1385 500	1	Dust tool	
6	147 1386 500	1	Crevice tool	
7	140 7547 500	1	Paddle nozzle	
8	147 1388 500	5	Standard accessory kit	Kit with Item # 3,4,5,6 and a S-wand.

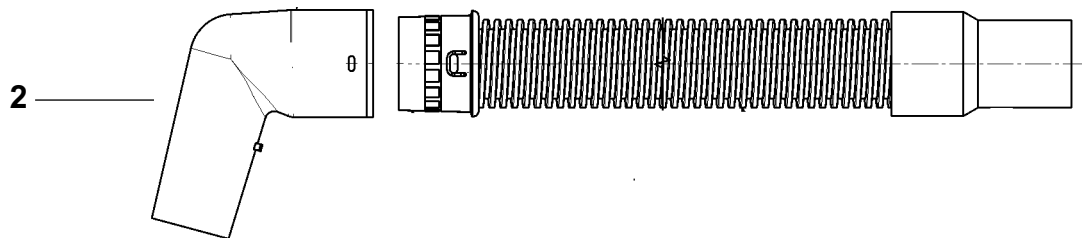
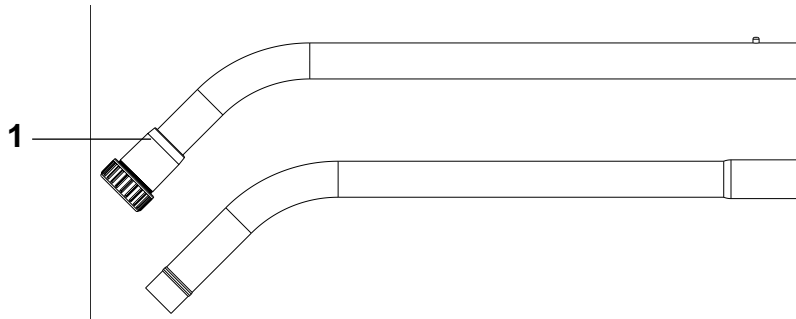
823 0101 000

Advance Adgility 6XP, 10XP

08-02

14

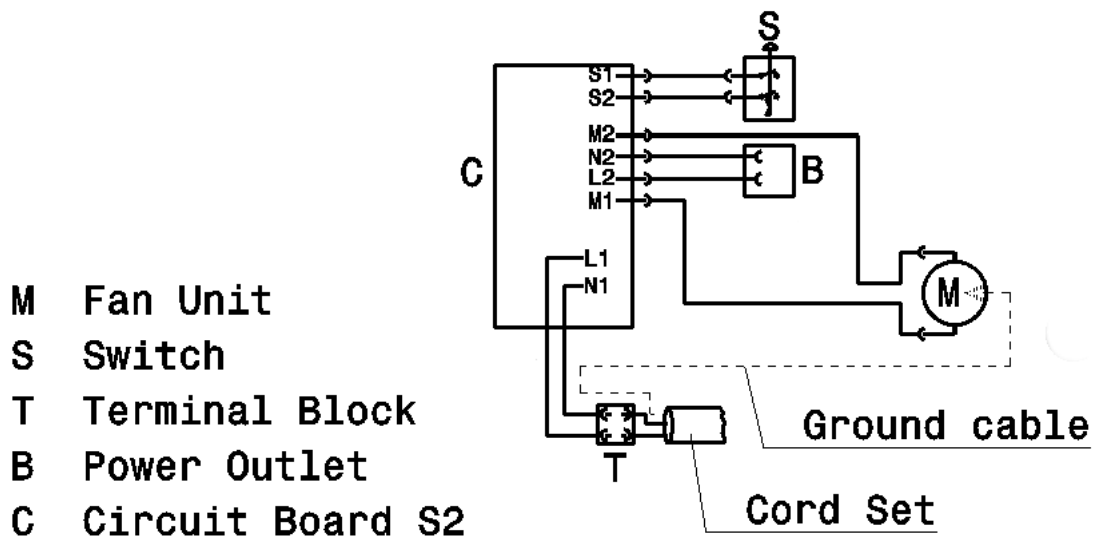
WANDS AND HOSE Ø 1.5 Inch, 38 mm



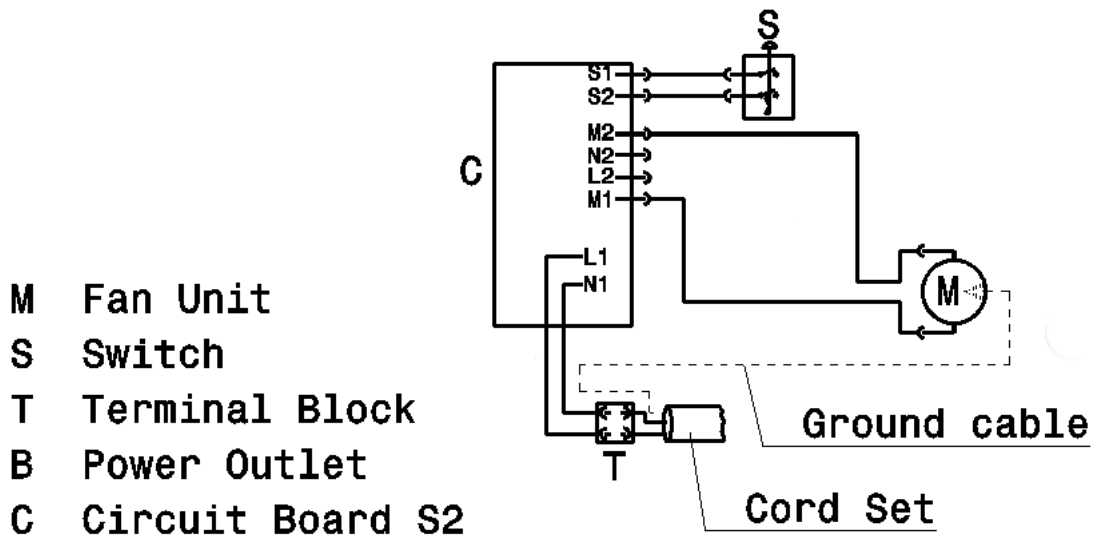
08-02	Advance Adgility 6XP, 10XP	823 0101 000		
	WANDS AND HOSE Ø 1.5 Inch, 38 mm			15

Item	Part No.	Qty.	Description	Note	EAN code
1	147 1387 500	1	S-wands	Aluminium	
2	147 1237 500	1	Hose cpl. 49 in. (1250 mm)		

Wiring diagram - Grounded



Model 10 XP, with power outlet



Model 6 XP, no power outlet