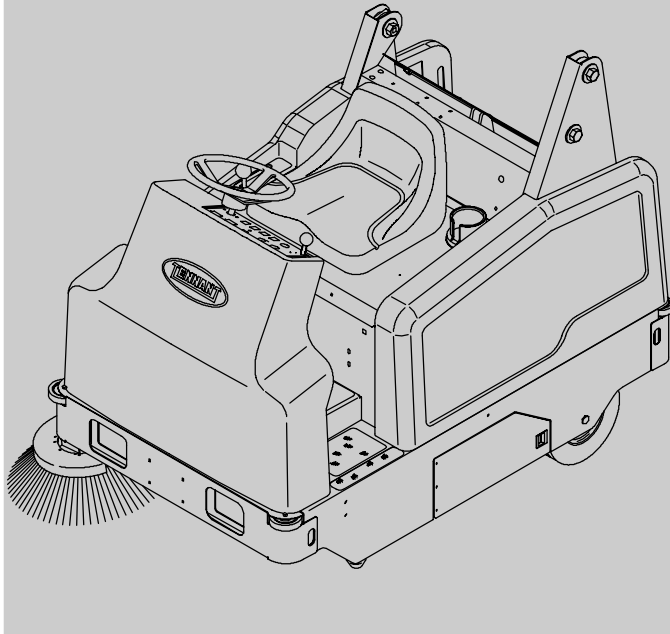
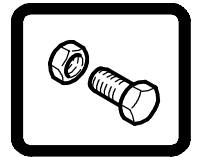




# 6200

(Electric)

## Sweeper Parts Manual



**North America / International**

[www.tennantco.com](http://www.tennantco.com)

**330410**  
Rev. 11 (2-2010)



When ordering replacement parts, use the illustrated parts list section in this manual. Before ordering parts or supplies, be sure to have your machine model number and serial number available. Parts and supplies may be ordered online, by phone, or mail from any authorized parts and service center, distributor or from any of the manufacturer's subsidiaries.

This machine will provide excellent service. However, the best results will be obtained at minimum costs if:

- The machine is operated with reasonable care.
- The machine is maintained regularly - per the machine maintenance instructions provided.
- The machine is maintained with manufacturer supplied or equivalent parts.

#### **MACHINE DATA**

Please fill out at time of installation for future reference.

Model No. - \_\_\_\_\_

Serial No. - \_\_\_\_\_

Machine Options - \_\_\_\_\_

Sales Rep. - \_\_\_\_\_

Sales Rep. phone no. - \_\_\_\_\_

Customer Number - \_\_\_\_\_

Installation Date - \_\_\_\_\_

#### **Tennant Company**

PO Box 1452

Minneapolis, MN 55440

Phone: (800) 553-8033 or (763) 523-2850

[www.tennantco.com](http://www.tennantco.com)

Quick Mop, VCS, Instant Access filter, and Thermo Sentry are US registered and unregistered trademarks of Tennant Company.

Specifications and parts are subject to change without notice.

Copyright © 1999-2003, 2005-2008, 2010 TENNANT, Printed in U.S.A.

## HOW TO USE THIS MANUAL

This section on *HOW TO USE THIS MANUAL* will tell you how to:

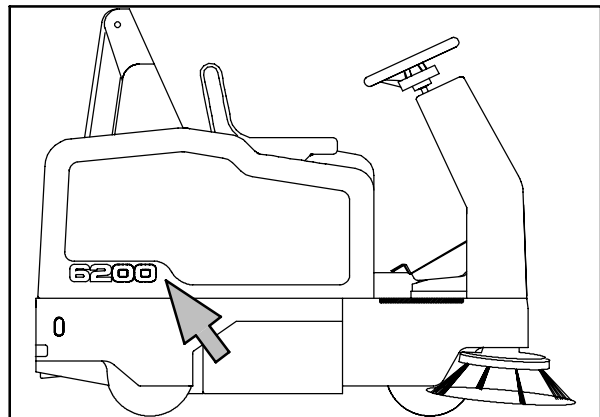
- Find important machine information for ordering correct repair parts.
- Find TENNANT part numbers.
- Order TENNANT parts and supplies.

### IMPORTANT INFORMATION

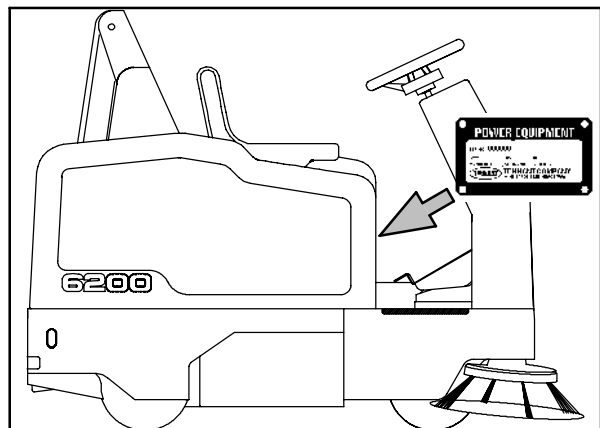
When placing an order for parts, the machine model and machine serial number are important. Refer to the *MACHINE DATA* box which is filled out during the installation of your machine. The *MACHINE DATA* box is located on the inside of the front cover of this manual.

MACHINE DATA	
<i>Please fill out at time of installation for future reference.</i>	
Machine Model Number -	6200E
Machine Serial Number -	_____
Machine Options -	_____
TENNANT Representative/phone no. -	_____
Customer ID Number -	_____
Date of Installation -	_____
Manual Number -	330410
Revision:	00
Published:	6-99

The model number of your machine is on the side of the machine.



The serial number of your machine is printed on the machine data plate located as shown.



# HOW TO USE THIS MANUAL

## FINDING A TENNANT PART NUMBER

This manual contains the following sections:

- HOW TO USE THIS MANUAL
- STANDARD PARTS
- OPTIONS
- BREAKDOWNS
- CROSS REFERENCE

The STANDARD PARTS section lists repair parts for standard machines. They are grouped in this general order:

- General wear parts.
- Machine frame and related parts.
- Machine propelling system.
- Sweeping components.
- Electrical parts.

The OPTION section lists repair parts of options.

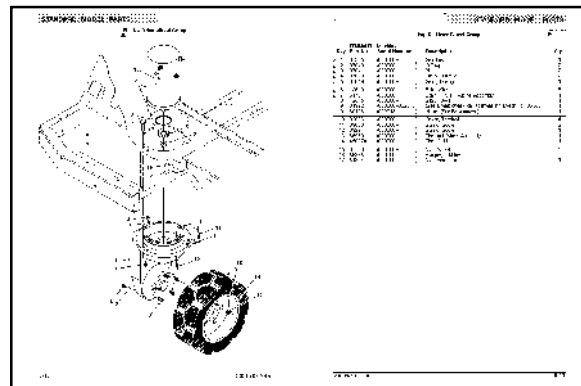
The BREAKDOWN section lists available repair parts of major components.

All sections in this manual consist of parts illustrations and corresponding parts lists.

The parts illustrations are numbered with **Ref** numbers which refer to corresponding parts lists.

The parts lists include a number of columns of information:

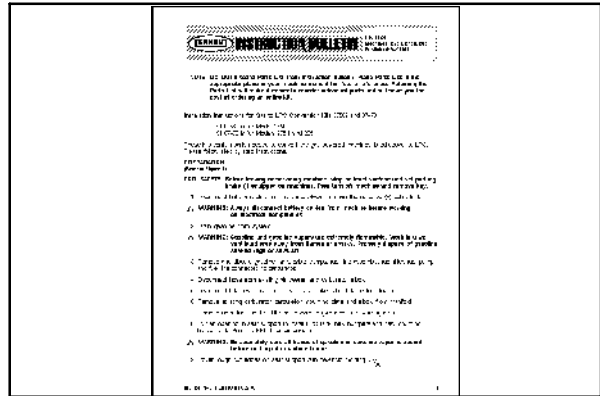
- **Ref** - column refers to the reference number on the parts illustration.
- ∇ - indicates the part is an assembly.
- ▲ - indicates the part is included in the assembly listed just before it.
- **Part No.** - column lists the TENNANT part number for the part.
- **Serial Number** - column indicates the set of machines the part number is applicable to. Serial numbers change when the machine design has been modified. The most current design of the machine is shown in the main illustration, older designs are boxed in a corner of the illustration.
- **Description** - column is a brief description of the part.
- **Qty.** - column lists the quantity of that part used in that area of the machine.



Key	TENNANT Part No.	Machine Serial Number	Description	Qty.
∇	1 87255	Q000C0	Gearbox	1
▲	2 87640	Q000C0	O-Ring	1
▲	3 87641	Q000C0	Plug	1
▲	4 87639	Q000C0	Fitting, Grasp	1
▲	5 87640	Q000C0	Gear, Driving	1
▲	6 12610	Q000C0	Bolt, Wheel	5
▲	7 61791	Q000C0	Beating and Housing Assembly	1
▲	8 12649	Q000C0	Seal, O-Ring	1
▲	9 31592	Q000C0-C03C17	See Breakdowns; Replacement Kit Motor For 86366	1
▲	9 63196	Q02018-	Motor (See Breakdowns)	1
1C	02C76	Q000C0-	Cover, Terminal	4
11	09C00	Q000C0-	Screw, Socket	2
12	09294	Q000C0-	Screw, Socket	1
15	R5C70	Q000C0-	Tire and Wheel Assembly	1
14	45C27A	Q000C0-	Tire, Solid	1
1E	87750	Q000C0-	Mnt, Wheel	5
1E	55655	Q000C0	Bumper, Rubber	2
17	61624	Q000C0-	Rub, Pat, Thin	1

**NOTE:** If a service kit is installed on your machine, be sure to keep the **INSTRUCTION BULLETIN** which came with the kit. It contains repair parts numbers needed for ordering future parts.

**NOTE:** Fasteners used in this machine may be metric or non-metric. Take care when replacing hardware to replace with same thread size.



## PLACING AN ORDER

Orders may be placed by phone, fax, or by mail. Phone orders may need written confirmation. Follow the steps below to insure prompt delivery:

1. Identify the model number of your machine.
2. Identify the serial number of your machine.
3. Find the part number of the part you need. Do not order by page number or reference number. If you are not able to find the part number, call your TENNANT representative for help or send the old part as a sample.
4. Determine the quantity of the part you need.
5. Provide the following company information:
  - Company name
  - Customer ID Number
  - Shipping address
  - Billing address
  - First and last name of person ordering parts
  - Telephone number
  - Purchase order number
6. Provide definitive shipping instructions.

## HOW TO USE THIS MANUAL

---

Any claim for loss or damage to a shipment in transit should be filed promptly with the transportation company making the delivery. Shipments will be complete unless the packing list or order acknowledgement indicates items back ordered.

If parts received are suspected to be incorrect or defective, please contact the TENNANT representative from whom you ordered the part. They will give authorization for return and/or handle replacement shipments when required.

## SECTION 2

Contents	Page
Fig. 1 - General Recommended Maintenance Items .....	2-2
Fig. 2 - Replacement Brushes .....	2-4
Fig. 3 - Main Frame Group .....	2-6
Fig. 4 - Brush Door Group .....	2-8
Fig. 5 - Seat and Shroud Group .....	2-10
Fig. 6 - Steering Group .....	2-12
Fig. 7 - Instrument Panel Group .....	2-14
Fig. 8 - Electrical Panel Group .....	2-16
Fig. 9 - Front Wheel Pivot Group (000000-003467) .....	2-18
Fig. 10 - Front Drive Wheel Group (000000-003467) .....	2-20
Fig. 11 - Front Drive Wheel Group (003468- ) .....	2-22
Fig. 12 - Brake Group (000000-003467) .....	2-24
Fig. 13 - Directional Pedal Group (000000-003434) .....	2-26
Fig. 14 - Directional and Brake Pedals Group (003435- ) .....	2-28
Fig. 15 - Rear Wheel Group .....	2-30
Fig. 16 - Main Brush Skirts Group .....	2-32
Fig. 17 - Main Brush Front Flap Group .....	2-34
Fig. 18 - Main Brush Idler Group .....	2-36
Fig. 19 - Main Brush Drive Group .....	2-38
Fig. 20 - Side Brush Lift Group .....	2-40
Fig. 21 - Side Brush Motor Group .....	2-42
Fig. 22 - Vacuum Fan Group .....	2-44
Fig. 23 - Hopper and Filter Box Group .....	2-46
Fig. 24 - Hopper Lift Arms Group .....	2-48
Fig. 25 - Hopper Dump Door Group .....	2-50
Fig. 26 - Hydraulic Hopper Lift Group .....	2-52
Fig. 27 - Battery Cable Group .....	2-54
Fig. 28 - Hydraulic Schematic .....	2-56
Fig. 29 - Electrical Schematic (000000-002089) .....	2-58
Fig. 30 - Electrical Schematic (002090-003467) .....	2-60
Fig. 31 - Electrical Schematic (003468- ) .....	2-62
Fig. 32 - Electrical Wire Harnesses Group .....	2-64
Fig. 33 - Label Group .....	2-81

**Fig. 1 - General Recommended Maintenance Items**

Ref.	Part No.	Serial Number	Description	Qty.
∇	383734	(000000-	) Kit, Perf, Sweeper, [6200 E]	1
▲	83189	(000000-	) Kit, Replmt, Knob Assy, [6100]	2
▲∇	83038	(000000-	) Kit, Replmt, Bearing, Vacuum Fan, [6100]	1
▲▲	81838	(000000-	) Housing, Brg, Vacfan	1
▲▲	81830	(000000-	) Bearing, Ball, 0.47b 1.26d 0.39w	2
▲▲	81828	(000000-	) Shaft, Drive, Vacfan	1
▲▲	41722	(000000-	) Washer, 0.52b 0.90d .07, Stl, PI	1
▲	360275	(000000-	) Shoe Assy, Brake, 180 X 30mm	2
▲	383861	(000000-	) Belt, V, [3] 33.9l	1
▲	384102	(000000-	) Belt, V, [3] 50.0l	1
▲	1037210	(000000-	) Filter, Panl, Dust, 4.2 X 16.0 X 24.0	1
▲	81748	(000000-	) Skirt, Side, Lh	1
▲	08712	(000000-	) Nut, Hex, Lock, M06 X 1.0, NI, Ss	10
▲	81715	(000000-	) Skirt, Side, Rh	1
▲	383522	(000000-	) Skirt, Recirculation, Rear	1
▲	361339	(000000-	) Screw, Hex, M06 X 1.0 X 16, Fmg	3
▲	222159	(000000-	) Screw, Hex, M06 X 1.0 X 25, Fmg	1
▲	383523	(000000-	) Skirt, Recirculation	1
▲	360821	(000000-	) Screw, Flt, M08 X 1.25 X 16, 10.9	5
▲	383653	(000000-	) Skirt, Recirculation, Front	1
▲	361339	(000000-	) Screw, Hex, M06 X 1.0 X 16, Fmg	7
▲	383519	(000000-	) Skirt, Front	1
▲	08712	(000000-	) Nut, Hex, Lock, M06 X 1.0, NI, Ss	5
▲	383659	(000000-	) Skirt, Side	2
▲	361339	(000000-	) Screw, Hex, M06 X 1.0 X 16, Fmg	2
▲	30013	(000000-	) Washer, Flat, .31 Fender	4
▲	17288	(000000-	) Screw, Btn, M8 X 1.25 X 35, Ss	2
▲	08713	(000000-	) Nut, Hex, Lock, M08 X 1.25, NI, Ss	2
▲	1015271	(000000-	) Seal, Afmkt, Bulb, Str, 0.76, 0.93w 08ft	1
▲	1015272	(000000-	) Seal, Afmkt, Bulb, Str, 0.76, 0.93w 03ft	1
▲	1015272	(000000-	) Seal, Afmkt, Bulb, Str, 0.76, 0.93w 03ft	1
▲	1015274	(000000-	) Seal, Afmkt, Bulb, Str, 0.76, 0.93w 01ft	2
∇	398333	(000000-	) Kit, Maint, 800hr [6200 E]	1
▲	83189	(000000-	) Kit, Replmt, Knob Assy, [6100]	1
▲	384023	(000000-	) Kit, Skirt, [6200]	1
▲	1015271	(000000-	) Seal, Afmkt, Bulb, Str, 0.76, 0.93w 08ft	1
▲	1015272	(000000-	) Seal, Afmkt, Bulb, Str, 0.76, 0.93w 03ft	1
▲	1015272	(000000-	) Seal, Afmkt, Bulb, Str, 0.76, 0.93w 03ft	1
▲	1015274	(000000-	) Seal, Afmkt, Bulb, Str, 0.76, 0.93w 01ft	2
▲	383445	(000000-	) Seal, Hppr, Lip	1
▲	83038	(000000-	) Kit, Replmt, Bearing, Vacuum Fan, [6100]	1
▲	360275	(000000-	) Shoe Assy, Brake, 180 X 30mm	2
▲	384102	(000000-	) Belt, V, [3] 50.0l	1
▲	383861	(000000-	) Belt, V, [3] 33.9l	1
▲	1037210	(000000-	) Filter, Panl, Dust, 4.2 X 16.0 X 24.0	1



Fig. 1 - General Recommended Maintenance Items

Ref.	Part No.	Serial Number	Description	Qty.
	83269	(000000-	) Bag, Vac Wand (10 Bags)	1
	83289	(000000-	) Hose, Flex	1
	16411	(000000-	) Paint, Airdry, Off-White, 12oz	1
	16412	(000000-	) Paint, Airdry, Teal, 12oz, Solid	1
	377540	(000000-	) Paint, Airdry, Blk, 12oz	1
	377538	(000000-	) Paint, Airdry, Gray, 12oz [Enamel]	1
	377537	(000000-	) Paint, Airdry, Iron Gray, 12oz[Pwdr Coat]	1

Fig. 2 - Replacement Brushes

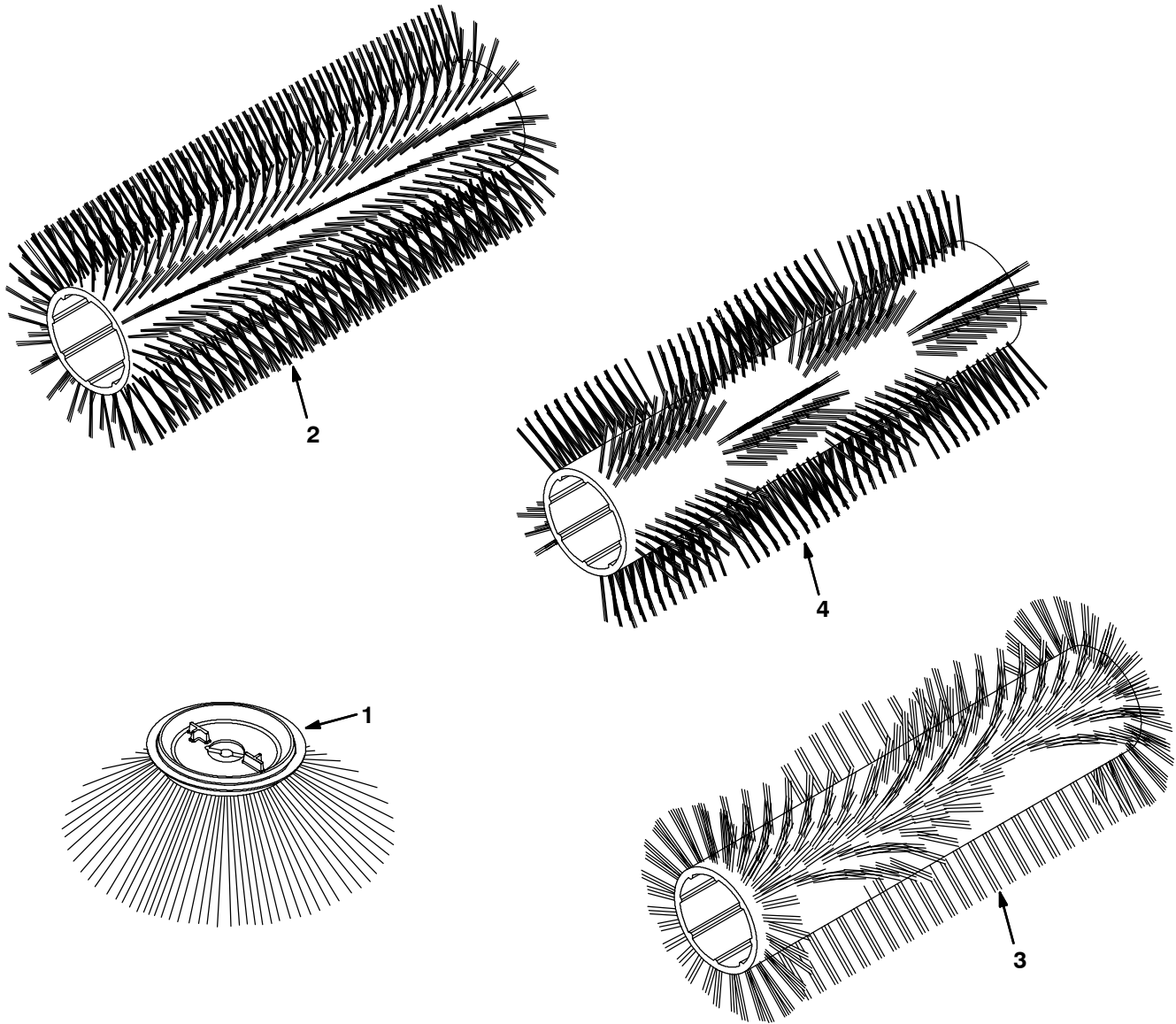


Fig. 2 - Replacement Brushes

Ref.	Part No.	Serial Number	Description	Qty.
1	383753	(000000-	) Brush, Disk, Polypropylene	1
1	384474	(000000-	) Brush, Disk, Polypropylene	1
1	384068	(000000-	) Brush, Disk, H. D. Polypropylene	1
2	383487	(000000-	) Brush, Swp, Polypropylene	1
2	383993	(000000-	) Brush, Swp, Natural Fiber	1
3	383992	(000000-	) Brush, Swp, Wedge, Polypropylene	1
4	370049	(000000-	) Brush, Swp, Window, Polypropylene	1

Fig. 3 - Main Frame Group

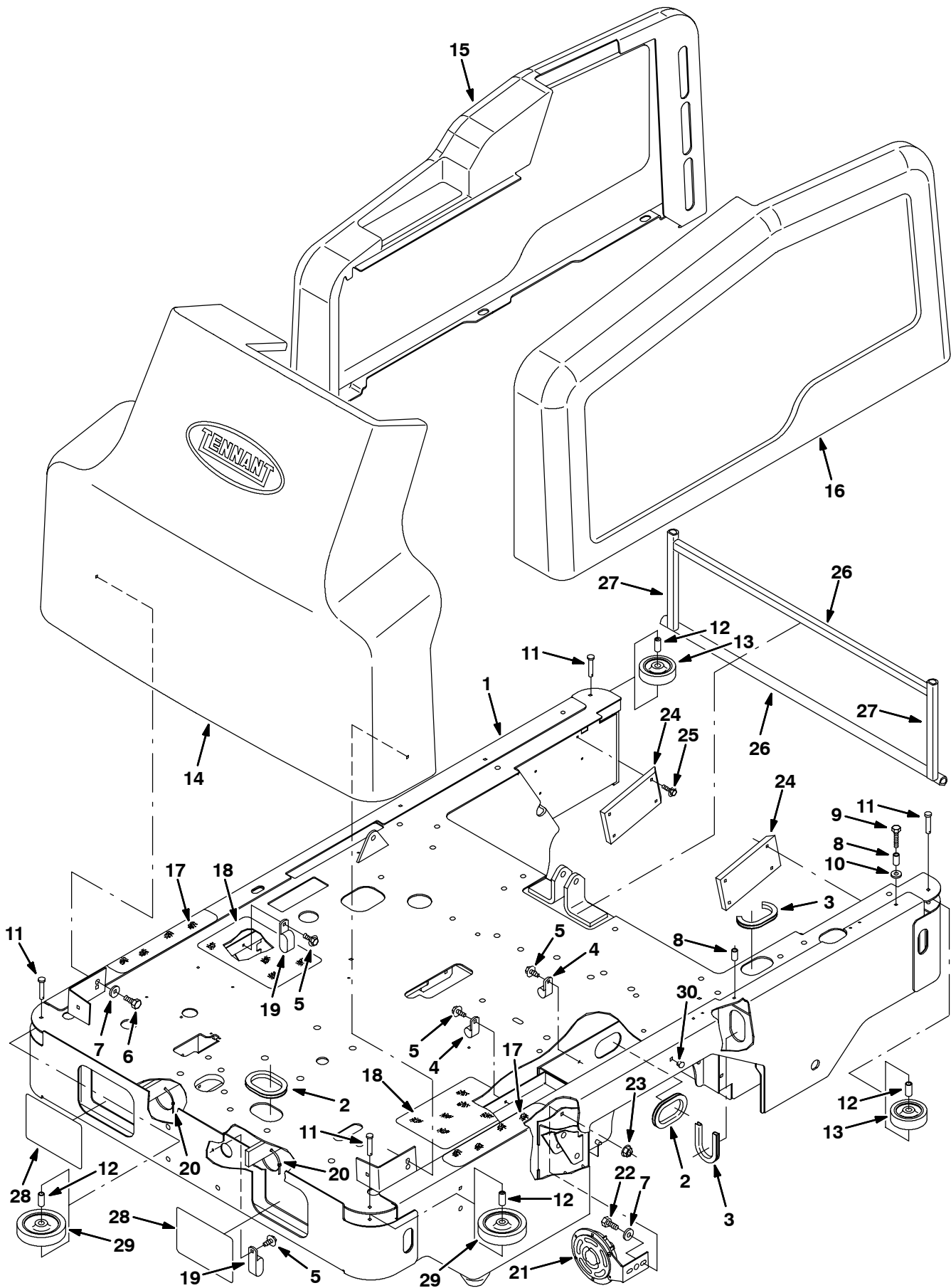


Fig. 3 - Main Frame Group

Ref.	Part No.	Serial Number	Description	Qty.
1	383600	(000000-	) Frame Wldt, Main, 6200	1
2	62595-16	(000000-	) Molding, Trim 11-14Ga 8.50	2
3	57569	(000000-	) Molding, Trim 11-14Ga 6.75	1
4	40678-1	(000000-	) Clamp, Cable	3
5	361339	(000000-	) Screw, Hex 6X 1.0 16 Pltd	6
6	16735	(000000-	) Screw, Hex, M08-1.25 X 16, 8.8	2
7	32491	(000000-	) Washer, Flat, .31 Hard	3
8	222496	(000000-	) Sleeve	2
9	06947	(000000-	) Screw, Hex, M06-1.0 X 40, 8.8	2
10	32490	(000000-	) Washer, Flat, .25 Hard	2
11	81581	(000000-	) Pin, Clevis, .31 Dia X 1.75 Lg	4
12	383910	(000000-	) Sleeve, P/M, 0.437d 0.318b 1.15l 430 Ss	4
13	81582	(000000-	) Wheel, Bumper 3.0 Od	2
14	383561	(000000-	) Shroud, Front	1
15	384150	(000000-	) Shroud, Rh, 6200	1
16	384151	(000000-	) Shroud, Lh, 6200	1
17	58819	(000000-	) Pad	2
18	32646	(000000-	) Floor Tread, Anti-Slip	2
19	09570	(000000-	) Clamp	3
20	49266	(000000-	) Tie, Cable 1.75D Max 7.50Lg	2
21	369702	(000000-	) Horn, 36Vdc	1
22	16931	(000000-	) Screw, Hex, M08-1.25 X 20, 8.8	1
23	07791	(000000-	) Nut, Hex, Flange, M08-1.25	1
24	384071	(000000-	) Plate, Poly, Slide	2
25	222159	(000000-	) Screw, Hex, Fmg, M06-1.0 X 25	8
26	1015272	(000000-	) Seal, Afrmkt, Bulb, Str, 0.76, 0.93w 03ft	2
27	1015274	(000000-	) Seal, Afrmkt, Bulb, Str, 0.76, 0.93w 01ft	2
29	81580	(000000-	) Wheel, Bumper, 4 In Dia	2
30	01314	(000000-	) Button, Plug	6
31	384270	(000000-	) Label, Headlight	2

Fig. 4 - Brush Door Group

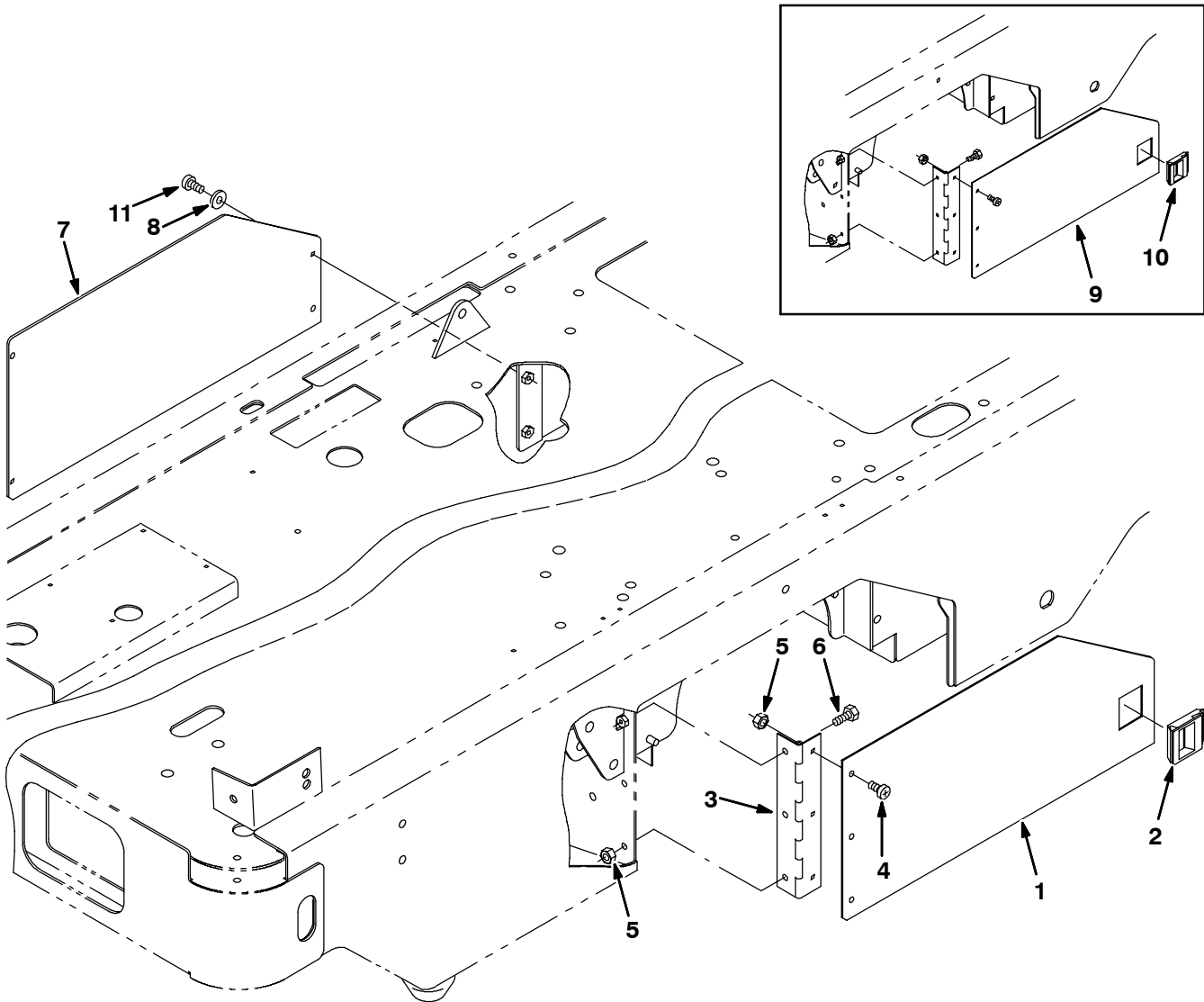


Fig. 4 - Brush Door Group

Ref.	Part No.	Serial Number	Description	Qty.
▽	<del>384289 378920</del>	(001470-	) Door <del>Assy, Brush, Lh</del> Kit, Brush	1
▲	1 384281	(000000-	) Plate, Door, Brush, Lh	1
▲	2 384423	(000000-	) Latch, Push, 1.0 X 1.5	1
✗	3 81721	(000000-	) Hinge (Not part of door assembly)	1
▲	4 363503	(000000-	) Screw, Pan, M06-1.0 X 12, Ss	3
▲	5 08712	(000000-	) Nut, Hex, Lock, M06-1.0, NI,Ss	5
	6 87308	(000000-	) Screw, Hex, M06-1.0 X 12, 8.8	3
	7 383751	(000000-	) Plate, Door, Brush, Rh	1
	8 32483	(000000-	) Washer, Flat, .25 Sae	4
	9 383704	(000000-001469	) Plate, Door, Brush, Lh	1
	10 81855	(000000-001469	) Latch, Push, 1.5 X 1.8	1
	11 363503	(000000-	) Screw, Pan, M06-1.0 X 12, Ss	4

Fig. 5 - Seat and Shroud Group

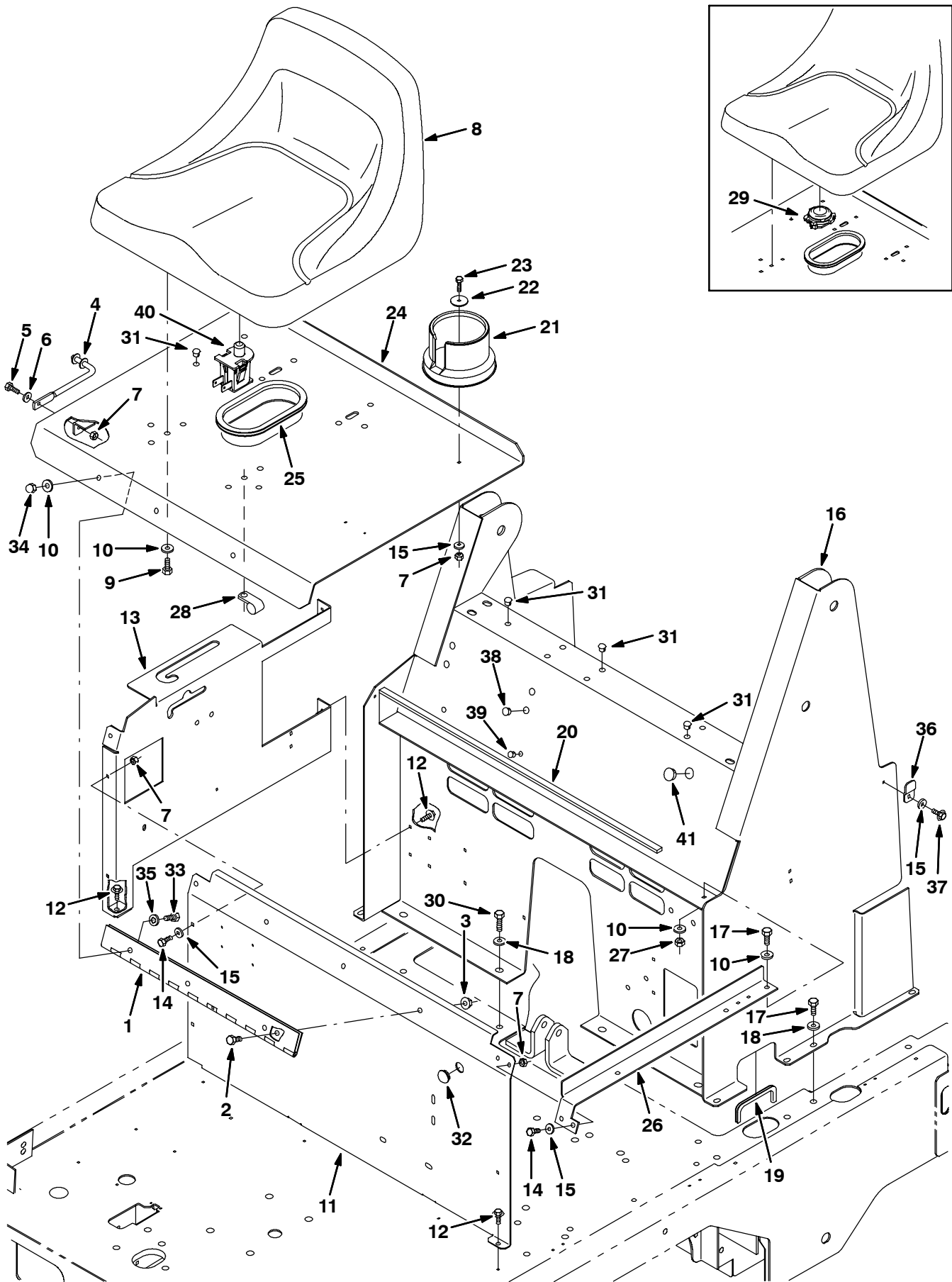




Fig. 5 - Seat and Shroud Group

Ref.	Part No.	Serial Number	Description	Qty.
1	75272	(000000-	) Hinge	1
2	50388	(000000-	) Screw, Hex, M08-1.25 X 12, 8.8	3
3	07791	(000000-	) Nut, Hex, Flange, M08-1.25	3
4	383770	(000000-	) Rod, Sppt, Seat	1
5	06943	(000000-	) Screw, Hex, M06-1.0 X 20, 8.8	1
6	32490	(000000-	) Washer, Flat, .25 Hard	1
7	08708	(000000-	) Nut, Hex, Lock, M06-1.0, NI	4
8	9005082	(000000-003540	) Seat Kit, Std, Replmt	1
8	1048932	(003541-	) Seat, Std [Michigan, Model V-2505]	1
9	54396	(000000-003540	) Screw, Hex, .31-18 X 0.75, G5	4
9	76955	(003541-	) Screw, Hex, .31-18 X 1.00, G5	4
10	32491	(000000-	) Washer, Flat, .31 Hard	8
11	383765	(000000-	) Panel, Sppt, Seat, Front	1
12	361339	(000000-	) Screw, Hex 6X 1.0 16 Pltd	7
13	383766	(000000-	) Panel, Sppt, Seat, Rh	1
14	06942	(000000-	) Screw, Hex, M06-1.0 X 16, 8.8	5
15	32483	(000000-	) Washer, Flat, .25 Sae	7
16	384193	(000000-	) Tower Assy, Electric, W/Label, 6200	1
17	16931	(000000-	) Screw, Hex, M08-1.25 X 20, 8.8	10
18	39349	(000000-	) Washer, Flat, .31 Sae	11
19	62595-16	(000000-	) Molding, Trim 11-14Ga 8.50	1
20	383853	(000000-	) Seal, Rbr, Close, .25T .50W	1
21	223599	(000000-	) Cup Holder	1
22	30013	(000000-	) Washer, Flat, .31 Fender	1
23	06944	(000000-	) Screw, Hex, M06-1.0 X 25, 8.8	1
24	384191	(000000-	) Seat Assy, Electric, W/Label 6200	1
25	81995	(000000-	) Molding, Trim 11-14Ga 19.	1
26	383767	(000000-	) Bracket, Sppt, Seat, Lh	1
27	08709	(000000-	) Nut, Hex, Lock, M08-1.25,NI	1
28	40678-1	(000000-	) Clamp, Cable	1
29	223078	(000000-003540	) Switch, Seat	1
30	76570	(000000-	) Screw, Hex, M08-1.25 X 30, 8.8	2
31	33807	(000000-	) Button, Plug	17
32	47178-17	(000000-	) Button, Plug	1
33	54395	(000000-	) Screw, Hex, .31-18 X 0.62	3
34	41128	(000000-	) Nut-Low Crown, .31-18	3
35	32984	(000000-	) Washer, Lock, Int, .31	3
36	384308	(000000-	) Bracket, Mtg, Shroud	1
37	222158	(000000-	) Screw, Hex, Fmg M06-1.0 X 10	1
38	56992	(000000-	) Button, Plug, 0.50H 0.03 - 0.12	4
39	01314	(000000-	) Button, Plug, 0.38H 0.03 - 0.12	2
40	1048955	(003541-	) Switch, Seat, No [Delta 6440-04]	1
41	75428	(000000-	) Button, Plug, 0.75H 0.03 - 12	1

Fig. 6 - Steering Group

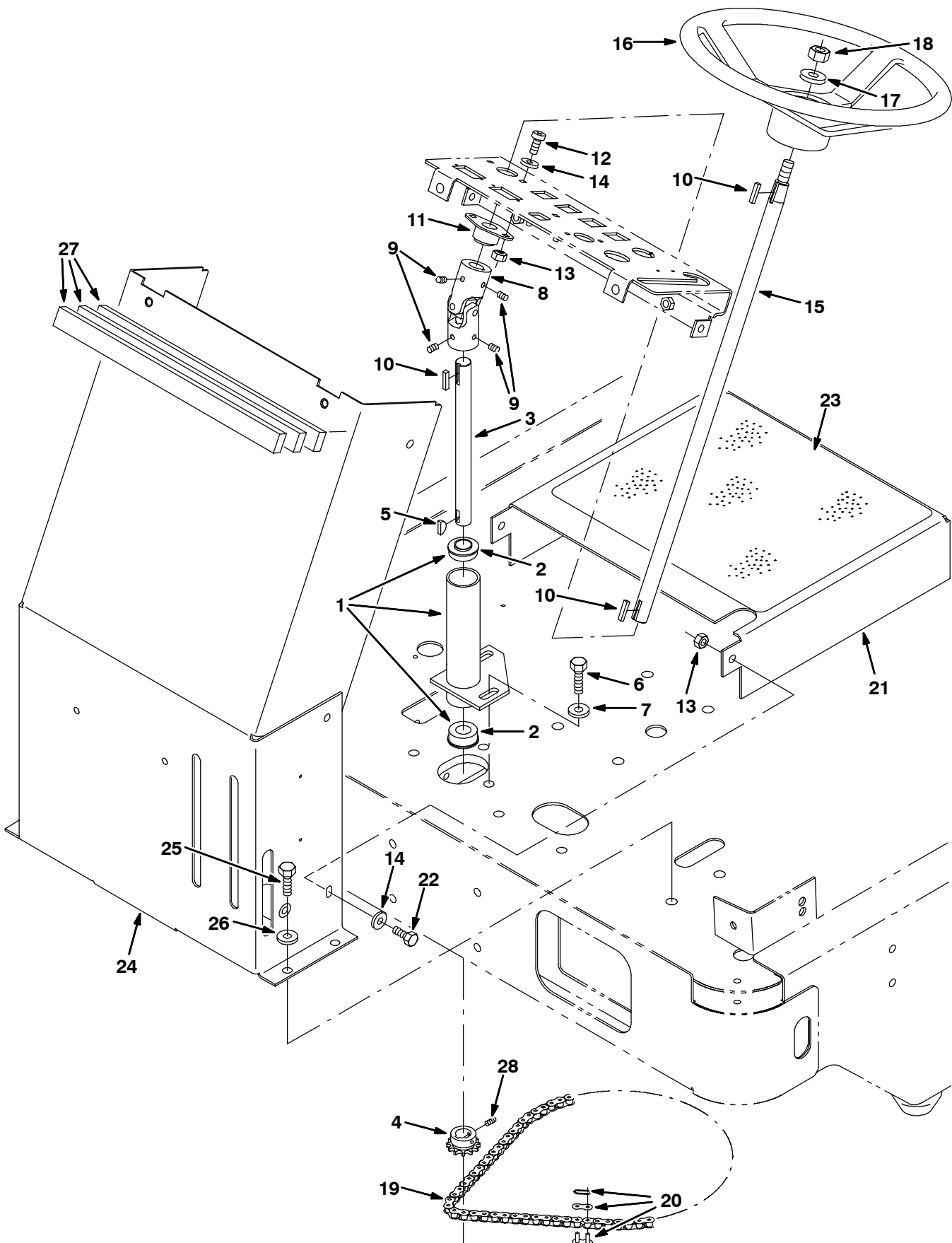


Fig. 6 - Steering Group

	Ref.	Part No.	Serial Number	Description	Qty.
▽	1	384022	(000000-	) Housing Assy, Steering, 6200	1
▲	2	223073	(000000-	) Bearing, Flange	2
	3	383509	(000000-	) Shaft, Steering, Lower	1
	4	223070	(000000-	) Sprocket, Steering	1
	5	00500-10	(000000-	) Key, Woodruff	1
	6	39284	(000000-	) Screw, Hex, M10-1.5 X 35, 8.8	2
	7	41187	(000000-	) Washer, Belleville, .38	2
	8	1040295	(000000-	) Joint, U, 0.75id	1
	9	46820	(000000-	) Screw, Set, .31-18 X 0.38, NI	4
	10	00912	(000000-	) Key, Square	3
	11	223065	(000000-	) Bearing, Flange	1
	12	09737	(000000-	) Screw, Pan, M08-1.25X 20, 4.8	2
	13	08709	(000000-	) Nut, Hex, Lock, M08-1.25,NI	4
	14	39349	(000000-	) Washer, Flat, .31 Sae	4
	15	223061	(000000-	) Shaft, Steering	1
	16	223075	(000000-	) Wheel, Steering	1
	17	32493	(000000-	) Washer, Flat, .50 Hard	1
	18	08711	(000000-	) Nut, Hex, Lock, M12-1.75,NI	1
▽	19	383480	(000000-	) Chain, Roller #35,.375 Pitch	1
▲	20	14799	(000000-	) Link, Chain	1
	21	383510	(000000-	) Channel, Foot Rest	1
	22	16931	(000000-	) Screw, Hex, M08-1.25 X 20, 8.8	2
	23	69571	(000000-	) Mat, Floor	1
	24	383505	(000000-	) Channel Wldt, Steering	1
	25	03192	(000000-	) Screw, Hex, M10-1.5 X 30, 8.8	6
	26	32492	(000000-	) Washer, Flat, .38 Hard	6
	27	223508	(000000-	) Seal, Panel	3
	28	39326	(000000-	) Screw, Set, .25-20 X 0.25, AI	2

Fig. 7 - Instrument Panel Group

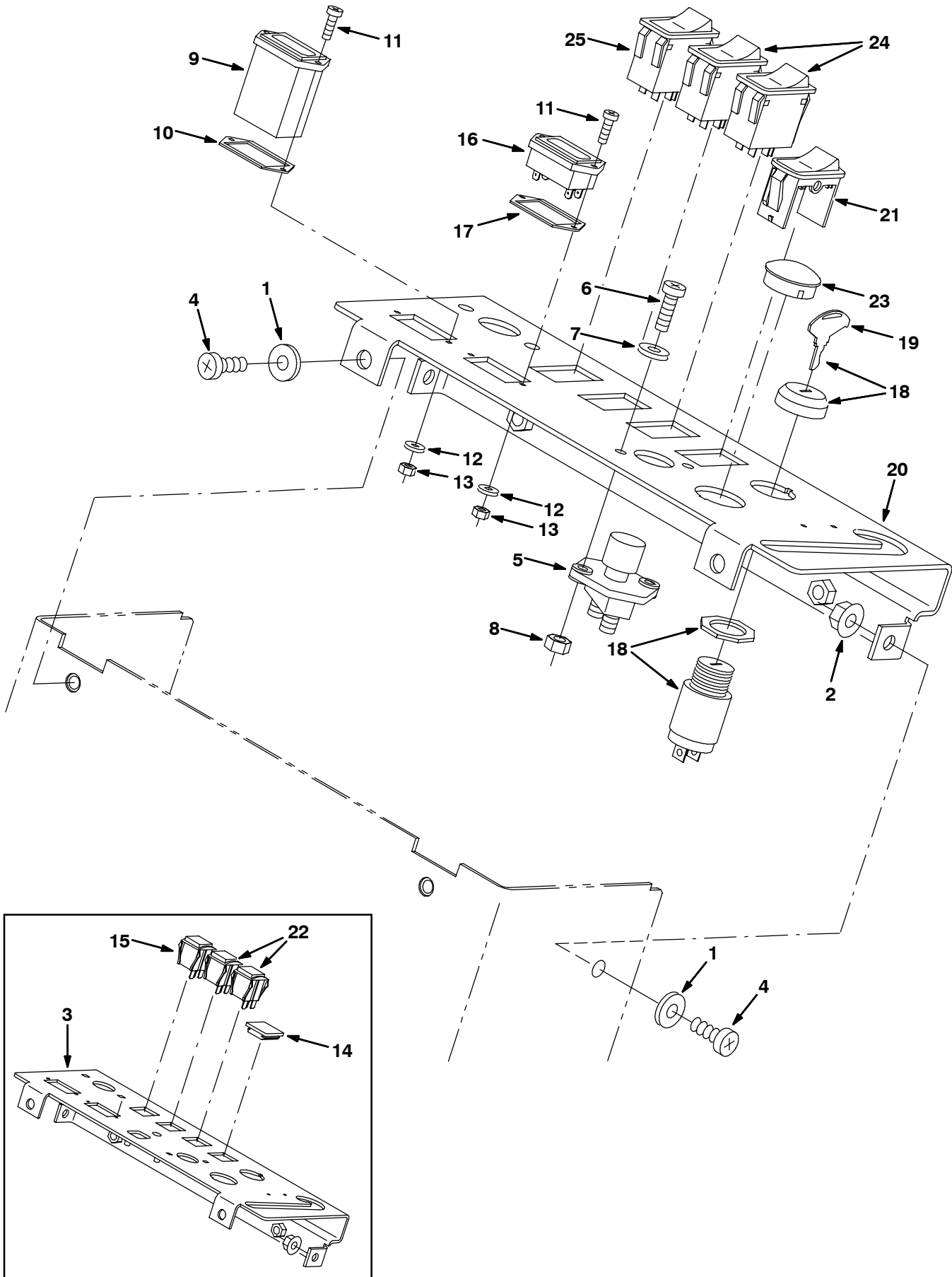


Fig. 7 - Instrument Panel Group

Ref.	Part No.	Serial Number	Description	Qty.	
1	32491	(000000-	) Washer, Flat, .31 Hard	4	
2	07791	(000000-	) Nut, Hex, Flange, M08-1.25	2	
3	383551	(000000-002626	) Panel, Instrument	1	
4	09737	(000000-	) Screw, Pan, M08-1.25X 20, 4.8	4	
5	44078	(000000-	) Switch, Pushmom, Spst100A 12V	1	
6	09164	(000000-	) Screw, Pan, M06-1.0 X 20, 4.8	2	
7	32483	(000000-	) Washer, Flat, .25 Sae	2	
8	08708	(000000-	) Nut, Hex, Lock, M06-1.0, NI	2	
9	377324	(000000-003179	) Gauge Kit, Hourmeter, F/31988 [10k]	1	
9	377433	(003180-	) Gauge, Hourmeter, 12-60vdc, Analog [10k]	1	
10	222683	(000000-	) Gasket	1	
11	09146	(000000-	) Screw, Pan, M03-0.5 X 12, 4.8	4	
12	39658	(000000-	) Washer, Lock, Int, #04	4	
13	01754	(000000-	) Nut, Hex, Std, M03-0.5	4	
14	222534	(000000-002626	) Plug	1	
15	383831	(000000-002626	) Switch, Rocker, Mom, On-Off,	1	
16	1038957	(000000-	) Gauge, Discharge, Battery, 36vdc, Led	1	
17	222683	(000000-	) Gasket	1	
▽	18	361076	(000000-	) Switch, Ignition	1
▲	19	361144	(000000-	) Key, Ignition	1
20	384329	(002627-	) Panel, Instrument, Ele	1	
21	398501	(002627-	) Switch, Rocker, Hole Plug	1	
22	222116	(000000-002626	) Switch, Rocker, Dpdt	2	
23	76888	(000000-	) Plugbtn 1.25H.12 Max Blacknyl	1	
24	398508	(002627-	) Switch, Rocker, 36vdc, 05a Dpdt Mo/Off/Mo	2	
25	398528	(002627-	) Switch, Rocker, 36vdc, 05a Dpdt On/Off/Mo	1	



Fig. 8 - Electrical Panel Group

Ref.	Part No.	Serial Number	Description	Qty.
1	374260	(000000-003467 )	Controller, Motor, 36vdc 90a	1
1	1044870	(003468-	Controller, Motor, 36vdc 200a	1
2	09164	(000000-	Screw, Pan, M06-1.0 X 20, 4.8	3
3	32483	(000000-	Washer, Flat, .25 Sae	14
4	08708	(000000-	Nut, Hex, Lock, M06-1.0, NI	9
5	383719	(000000-	Contactor, No 36Vdc	1
6	06933	(000000-	Screw, Pan, M05-0.8 X 16, 4.8	2
7	32490	(000000-	Washer, Flat, .25 Hard	3
8	06549	(000000-	Nut, Hex, Lock, M05-0.8, NI	2
9	33807	(000000-	Button, Plug	2
10	383724	(000000-	Circuitbreaker, 25Amp	2
11	383723	(000000-	Circuitbreaker, 20Amp	1
12	87318	(000000-	Fuse	1
13	20170	(000000-	Nut, Hex, Jam, .31-24	8
14	32984	(000000-	Washer, Lock, Int, .31	8
15	39349	(000000-	Washer, Flat, .31 Sae	8
16	223058	(000000-	Hinge, Electric	1
17	384190	(000000-	Panel, Electric, W/Label, 6200	1
18	383722	(000000-	Circuitbreaker, 15Amp	4
19	383731	(000000-003621 )	Contactor, No, 36Vdc	4
20	09145	(000000-	Screw, Pan, M06-1.0 X 16, 4.8	5
21	32982	(000000-	Washer, Lock, Int, .25	6
22	19312	(000000-	Nut, Hex, Std, .25-20	1
23	76062	(000000-	Insulator, Panel & Switchboard	3
24	41702	(000000-	Rod, Threaded	1
25	19314	(000000-	Screw, Hex, .25-20 X 0.38, G5	2
26	19315	(000000-	Screw, Hex, .25-20 X 0.50, G5	3
27	86393	(000000-	Wire Assy, 9.0 Lg., 4 Ga.	3
28	81922	(000000-	Timer, 36vdc, 5a [25hz Pwm, 70%duty]	1
29	33944	(000000-	Screw, Pan, M06-1.0 X 35, 4.8	1
30	69234	(000000-	Clamp, Cable	1
31	16931	(000000-	Screw, Hex, M08-1.25 X 20, 8.8	7
32	32491	(000000-	Washer, Flat, .31 Hard	7
33	07791	(000000-	Nut, Hex, Flange, M08-1.25	5
34	398526	(003468-	Relay, 36vdc, 005a, Spdt No [Greenwich]	1
35	386810	(003622-	Contactor, 36vdc, 100a, Sp, No	4
36	606404	(003622-	Diode Assy, W/ Ring Terminals	4

**Fig. 9 - Front Wheel Pivot Group (000000-003467)**

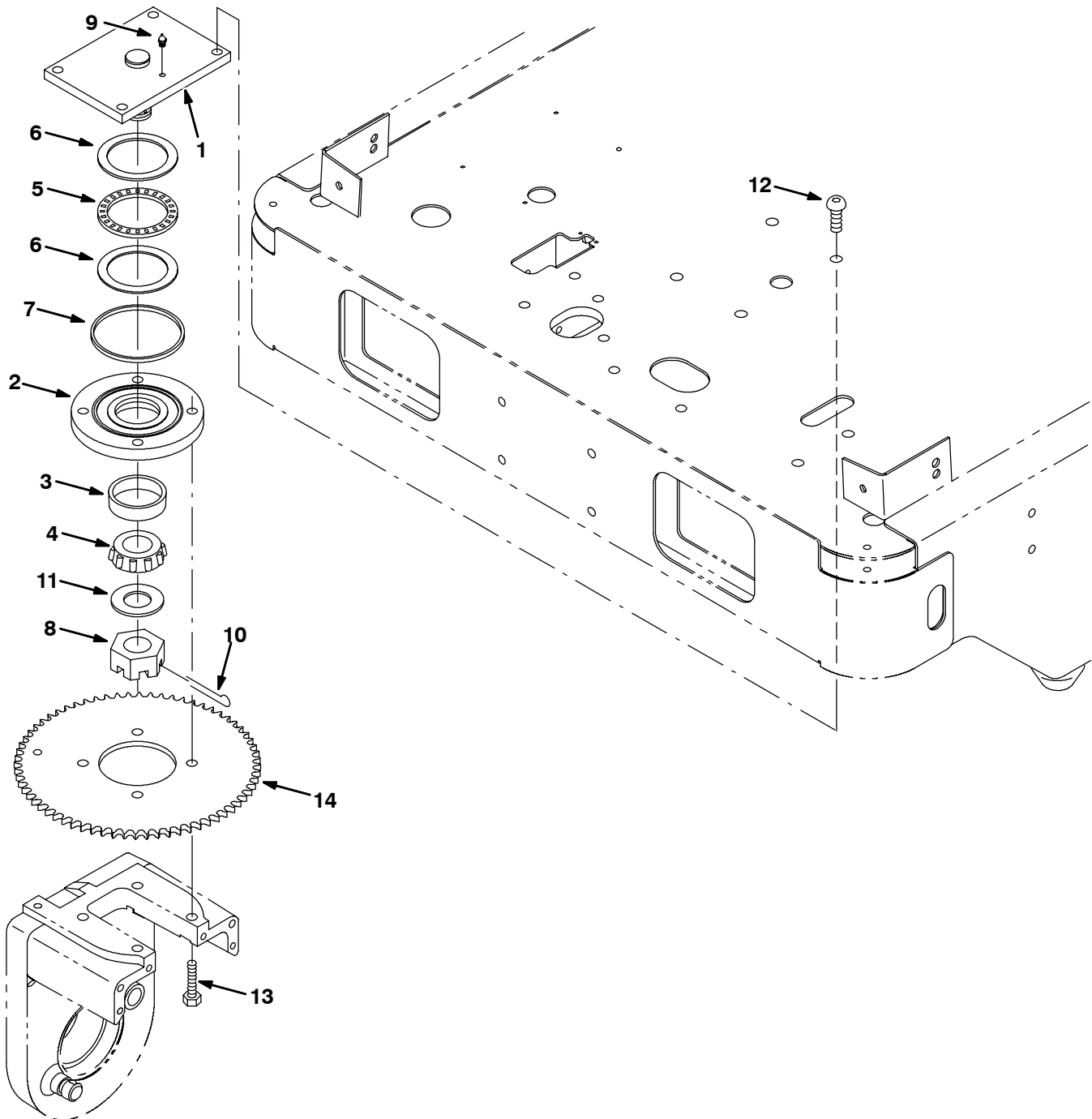




Fig. 9 - Front Wheel Pivot Group (000000-003467)

	Ref.	Part No.	Serial Number	Description	Qty.
▽		223152	(000000-003467 )	Caster Assy	1
▲	1	223158	(000000-003467 )	Plate, Swivel	1
▲	2	223157	(000000-003467 )	Plate, Swivel	1
▲▽		374299	(000000-003467 )	Bearing Kit, Ci, Front Drive Wheel	1
▲▲	3	24989	(000000-003467 )	Bearing, Cup, 2.33d 0.47w	1
▲▲	4	24988	(000000-003467 )	Bearing, Cone, 1.25b 0.63w	1
▲▲	5	223154	(000000-003467 )	Bearing, Thrust, 2.75b 3.63d 0.13w	1
▲▲	6	223161	(000000-003467 )	Washer, Thrust, 2.75b 3.62d .03 Torring	2
▲▲	7	223160	(000000-003467 )	Seal, Felt, .19, 4.3d 04.0h	1
▲	8	223159	(000000-003467 )	Nut, Hexslot 1.25-12	1
▲	9	07259	(000000-003467 )	Fitting, Grease	1
▲	10	08171	(000000-003467 )	Pin, Cotter	1
▲	11	223153	(000000-003467 )	Washer, 1.27b 2.38d .08, Stl, Pl	1
	12	223197	(000000-003467 )	Screw, Butn, M12-1.75X 30, NI	4
	13	223164	(000000-003467 )	Screw, Hex	4
	14	385650	(000000-003467 )	Sprocket, #35, 92tooth, 3.625b	1

**Fig. 10 - Front Drive Wheel Group (000000-003467)**

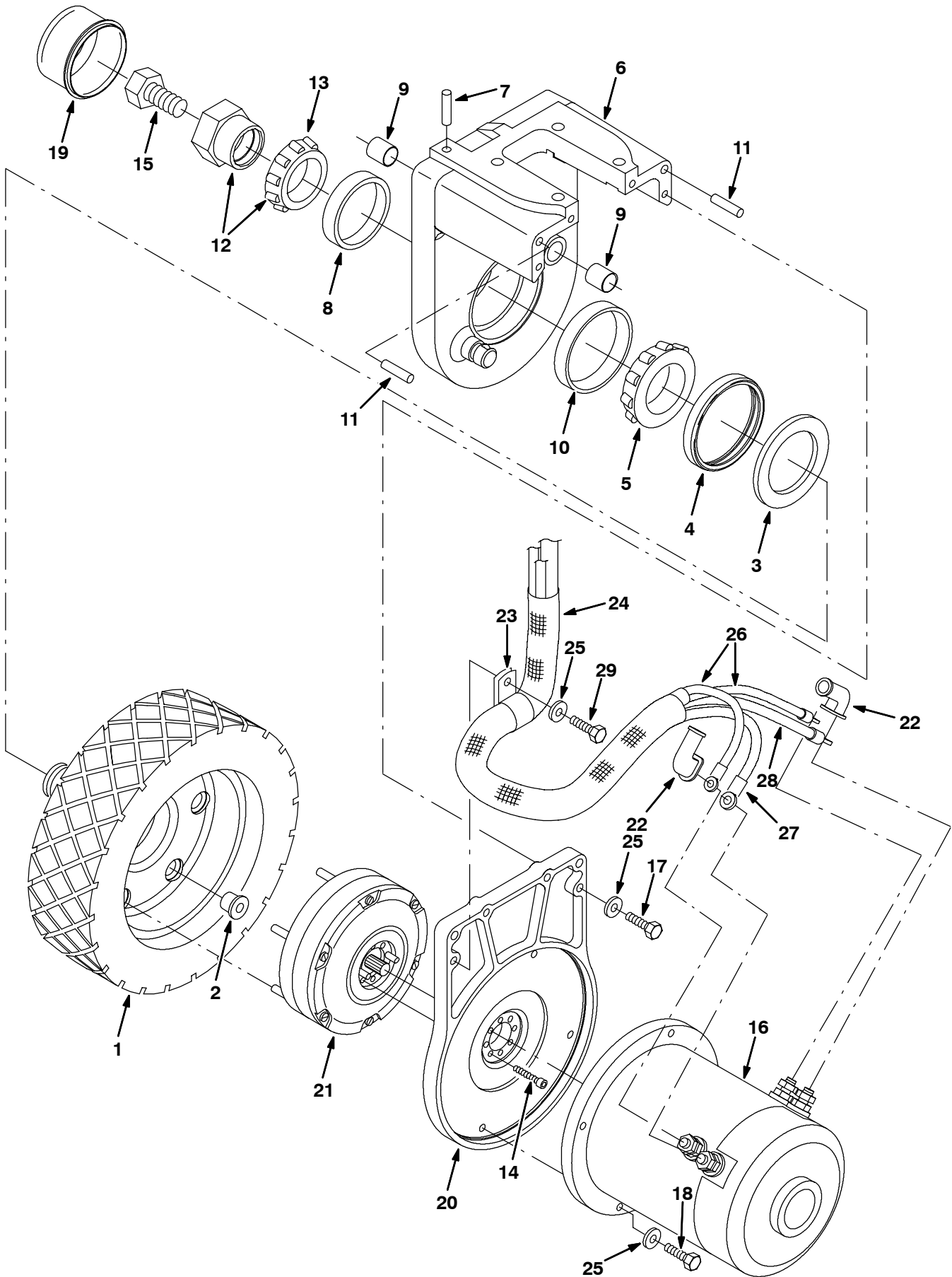


Fig. 10 - Front Drive Wheel Group (000000-003467)

	Ref.	Part No.	Serial Number	Description	Qty.
▽		383670	(000000-003467 )	Wheel Assy, Front, 6200	1
▲	1	1036685	(000000-003467 )	Tire Assy, Solid, 12.0 X 4.0 2.3d Hub	1
▲	2	223181	(000000-003467 )	Isolator	6
▲	3	223193	(000000-003467 )	Washer	1
▲	4	223631	(000000-003467 )	Seal	1
▲	5	223168	(000000-003467 )	Bearing, Cone	1
▽	6	223150	(000000-003467 )	Housing, Drive Wheel	1
▲	7	56106	(000000-003467 )	Pin, Dowel	1
▲	8	223169	(000000-003467 )	Bearing, Cup	1
▲	9	360271	(000000-003467 )	Bushing	2
▲	10	223167	(000000-003467 )	Bearing, Cup	1
▲	11	223610	(000000-003467 )	Pin, Dowel, .375X2.000	2
▽	12	223151	(000000-003467 )	Sleeve Assy, Bearing	1
▲	13	223170	(000000-003467 )	Bearing, Cone	1
	14	57824	(000000-003467 )	Screw, Soc, M6 X 1.0 X 20, 12.9, NI	6
	15	223162	(000000-003467 )	Screw, Hex	1
	16	383699	(000000-003467 )	Motor, Traction 1.5 Hp (See Breakdowns)	1
	17	223163	(000000-003467 )	Screw, Hex	3
	18	12333	(000000-003467 )	Screw, Hex, M08-1.25 X 25 Nylonloc	4
	19	223166	(000000-003467 )	Cap, Wheel	1
	20	223208	(000000-003467 )	Plate, Mtg	1
	21	223171	(000000-003467 )	Gearbox	1
	22	02076	(000000-003467 )	Boot	4
	23	58366	(000000-003467 )	Clamp, Cable, Stl, 1.25d X 1.00w, 1h	1
	24	223545	(000000-003467 )	Sleeve, Nylon	1
	25	32491	(000000-003467 )	Washer, Flat, .31 Hard	8
	26	383707	(000000-003467 )	Harness, Motor	1
	27	383712	(000000-003467 )	Wire Assy, Cable-48.0, 6Ga, BI	1
	28	383713	(000000-003467 )	Wire Assy, Cable-46.0, 6Ga, BI	1
	29	59658	(000000-003467 )	Screw, Hex, M08-1.25 X 35, Ss	1

**Fig. 11 - Front Drive Wheel Group (003468- )**

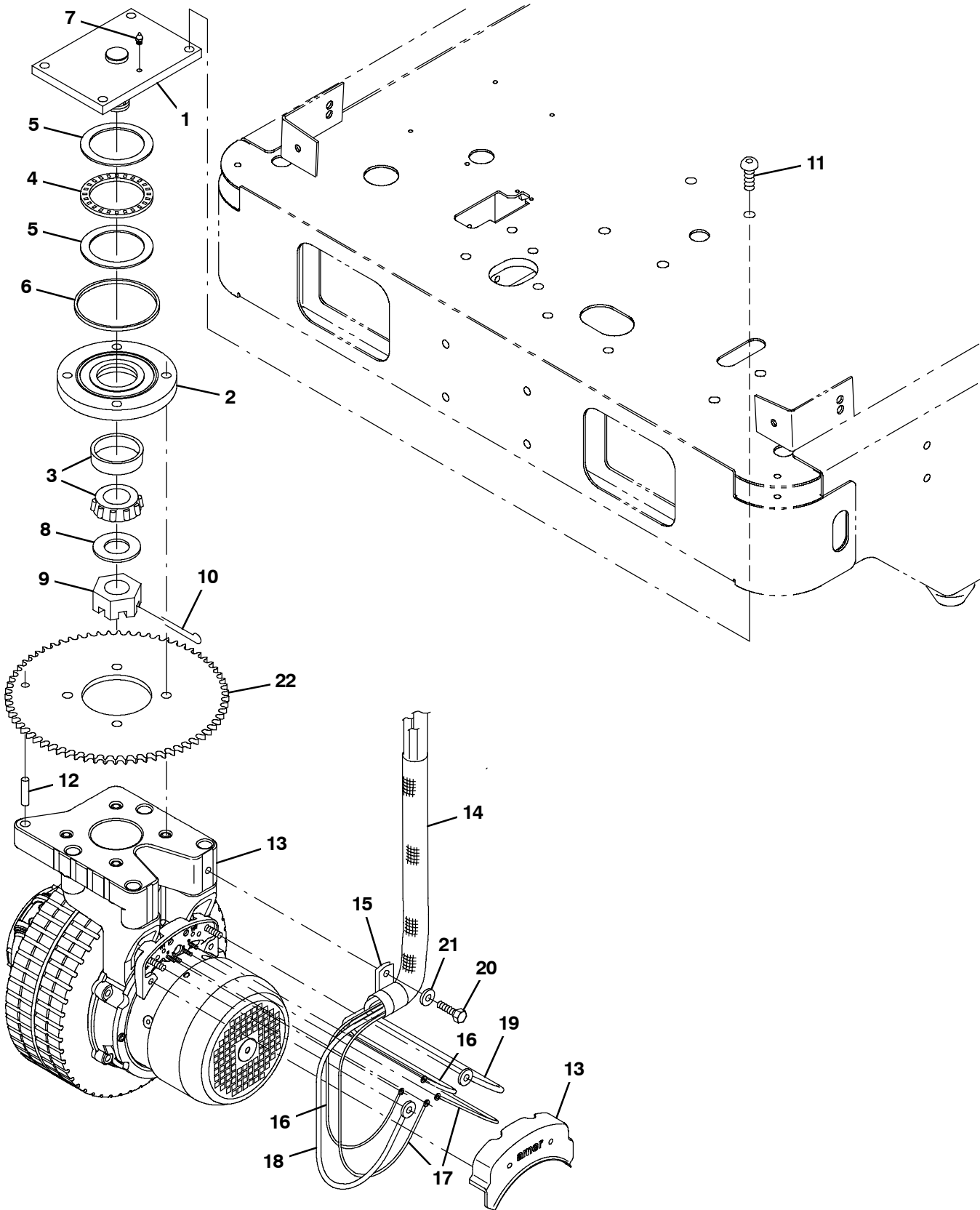


Fig. 11 - Front Drive Wheel Group (003468- )

Ref.	Part No.	Serial Number	Description	Qty.
▽		223152	(003468- ) Caster Assy	1
▲	1	223158	(003468- ) Plate Wldt, Swivel	1
▲	2	223157	(003468- ) Housing, Brg, Wheel, Front, Swivel	1
▲▽		374299	(003468- ) Bearing Kit, Wheel, Front Drive, Ci	1
▲▲	3	49225	(003468- ) Bearing Assy, 2.33d 1.25b Cup / Cone Kit	1
▲▲	4	223154	(003468- ) Bearing, Thrust, 2.75b 3.63d 0.13w	1
▲▲	5	223161	(003468- ) Washer, Thrust, 2.75b 3.62d 0.03	2
▲▲	6	223160	(003468- ) Seal, Felt, 0.19th, 4.3d 04.0h	1
▲	7	07259	(003468- ) Fitting, Grease, Str Pm04 .47l	1
▲	8	223153	(003468- ) Washer, Flat, 1.27b 2.38d .08, Crs, Pl	1
▲	9	223159	(003468- ) Nut, Hex, Sltd, 1.25-12	1
▲	10	08171	(003468- ) Pin, Cotter, .156 X 2.00	1
	11	223197	(003468- ) Screw, Btn, M12 X 1.75 X 30, 10.9 NI	4
	12	56106	(003468- ) Pin, Dowel, 0.5002d X 1.50l	1
	13	1033016	(003468- ) Wheel Assy, Drive (See Breakdowns)	1
	14	223545	(003468- ) Sleeve, Nyl, #17 30.0l	1
	15	58366	(003468- ) Clamp, Cable, Stl, 1.25d X 1.00w, 1hole	1
	16	1037102	(003468- ) Harness, Motor	1
	17	1037103	(003468- ) Harness, Brake, Ele [T15]	1
	18	1039367	(003468- ) Cable, 06ga 52.0l Blk .34ring /.34ring	1
	19	383713	(003468- ) Cable, 06ga 46.0l Blk .34ring /.34ring	1
	20	59658	(003468- ) Screw, Hex, M8 X 1.25 X 35, Ss, NI	1
	21	32491	(003468- ) Washer, Flat, 0.31, Std	1
	22	385650	(003468- ) Sprocket, #35, 92tooth, 3.625b	1

**Fig. 12 - Brake Group (000000-003467)**

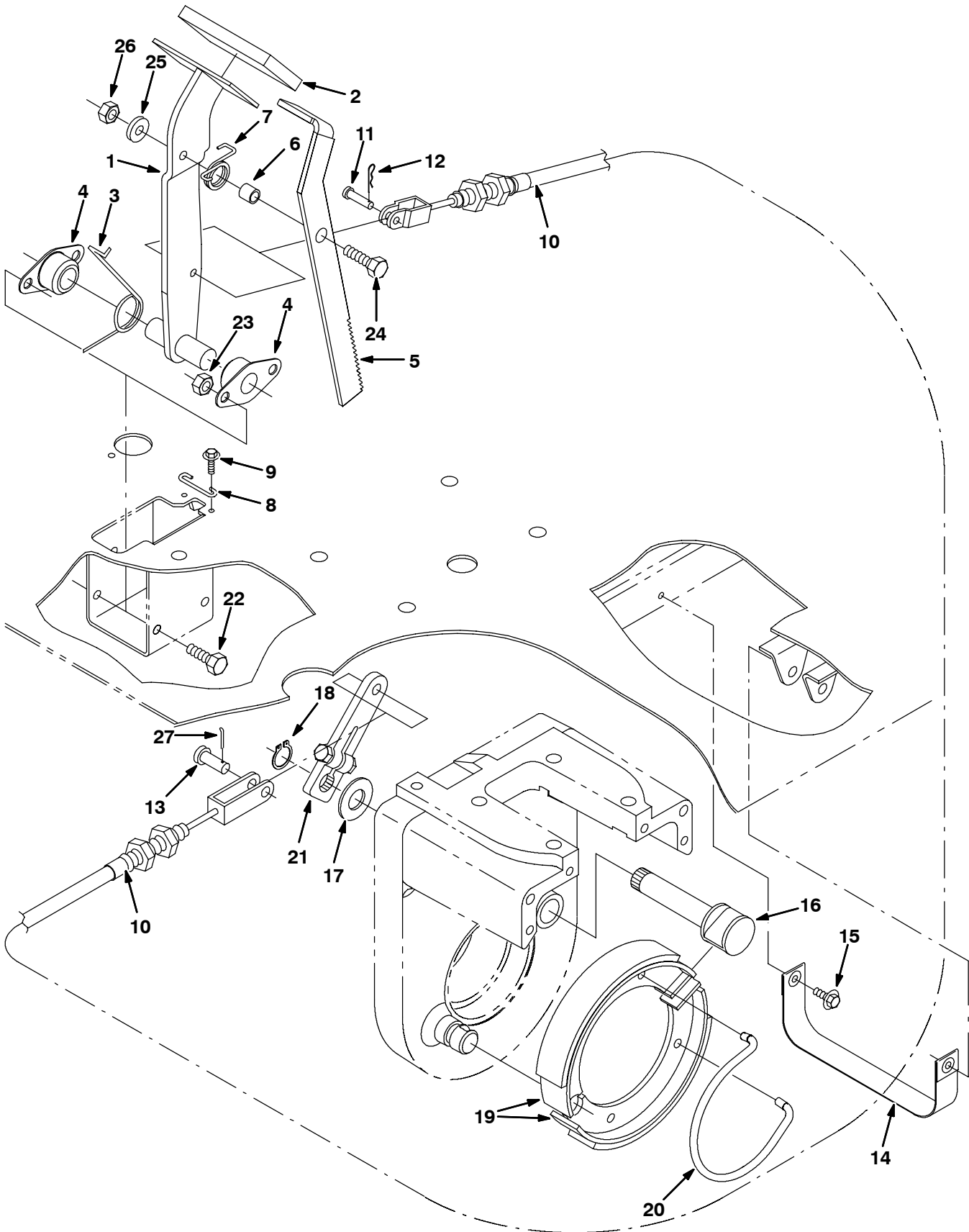


Fig. 12 - Brake Group (000000-003467)

Ref.	Part No.	Serial Number	Description	Qty.
1	223201	(000000-003467 )	Pedal, Brake	1
2	51109	(000000-003467 )	Pad	1
3	54607	(000000-003467 )	Spring, Torsion	1
4	223065	(000000-003467 )	Bearing, Flange	2
5	22731	(000000-003467 )	Pedal	1
6	46563	(000000-003467 )	Bushing, Sleeve	1
7	59009	(000000-003467 )	Spring, Torsion	1
8	97031	(000000-003467 )	Spring, Parking Brake	1
9	223198	(000000-003467 )	Screw, Hex	2
10	1024331	(000000-003467 )	Cable, Pull, 61.0l, Clevis / Clevis	1
11	14605	(000000-003467 )	Pin, Clevis	1
12	08085	(000000-003467 )	Pin, Hair Cotter	1
13	09088	(000000-003467 )	Pin, Clevis	1
14	383711	(000000-003467 )	Strap, Nylon	1
15	361339	(000000-003467 )	Screw, Hex 6X 1.0 16 Pltd	1
16	223186	(000000-003467 )	Cam, Brake	1
17	360273	(000000-003467 )	Washer, Flat, M20, 21 X37X3	1
18	360274	(000000-003467 )	Retainer, Ring	1
19	360275	(000000-003467 )	Shoe, Brake	2
20	360276	(000000-003467 )	Spring, Return, Brake	1
21	223204	(000000-003467 )	Lever, Brake, 102Mm Long	1
22	16931	(000000-003467 )	Screw, Hex, m08-1.25 X 20, 8.8	4
23	07791	(000000-003467 )	Nut, Hex, Flange, M08-1.25	4
24	06955	(000000-003467 )	Screw, Hex, M08-1.25 X 35, 8.8	1
25	32491	(000000-003467 )	Washer, Flat, .31 Hard	1
26	08709	(000000-003467 )	Nut, Hex, Lock, M08-1.25,NI	1
27	39005	(000000-003467 )	Pin, Cotter	1

Fig. 13 - Directional Pedal Group (00000-003434)

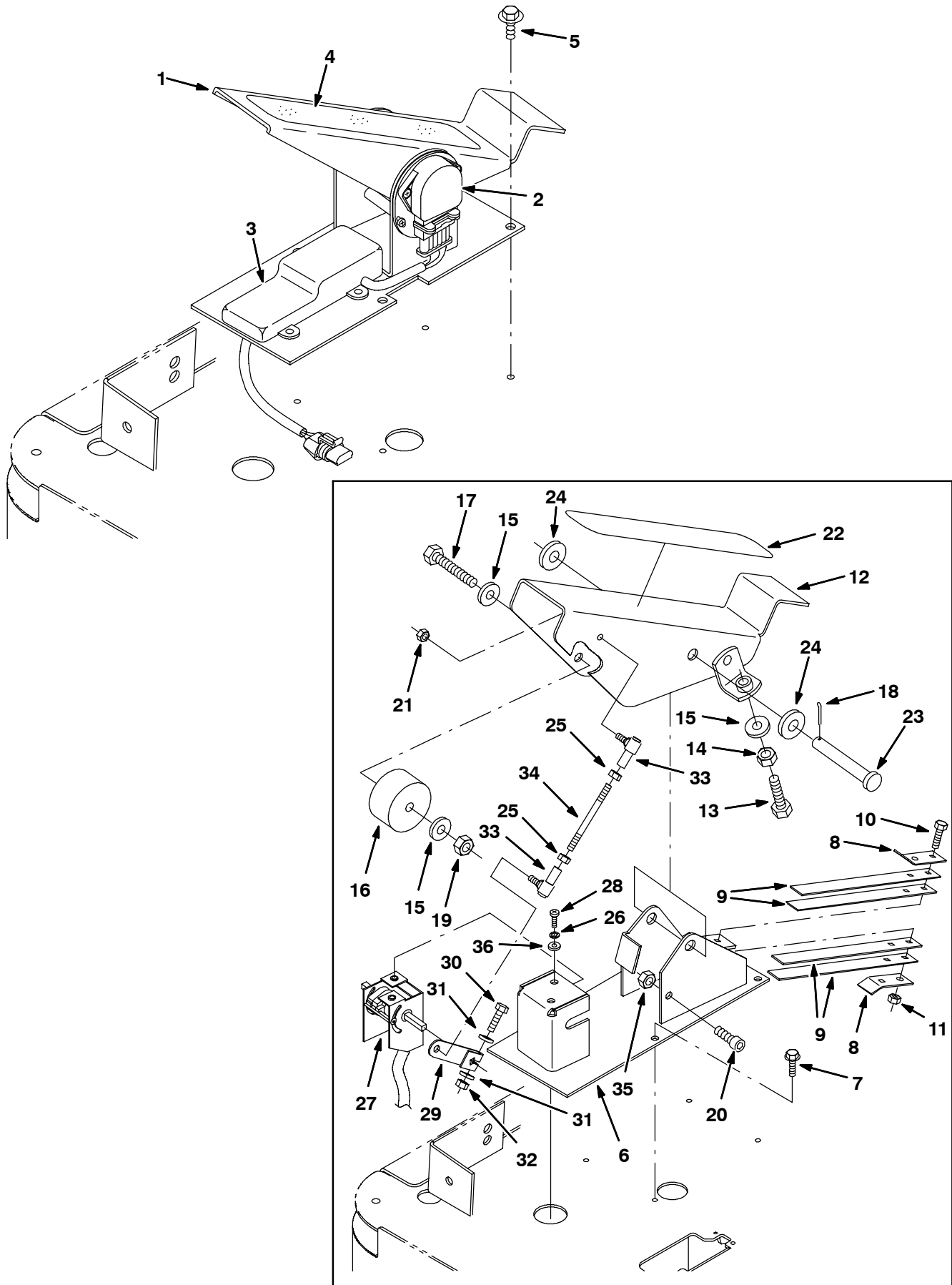
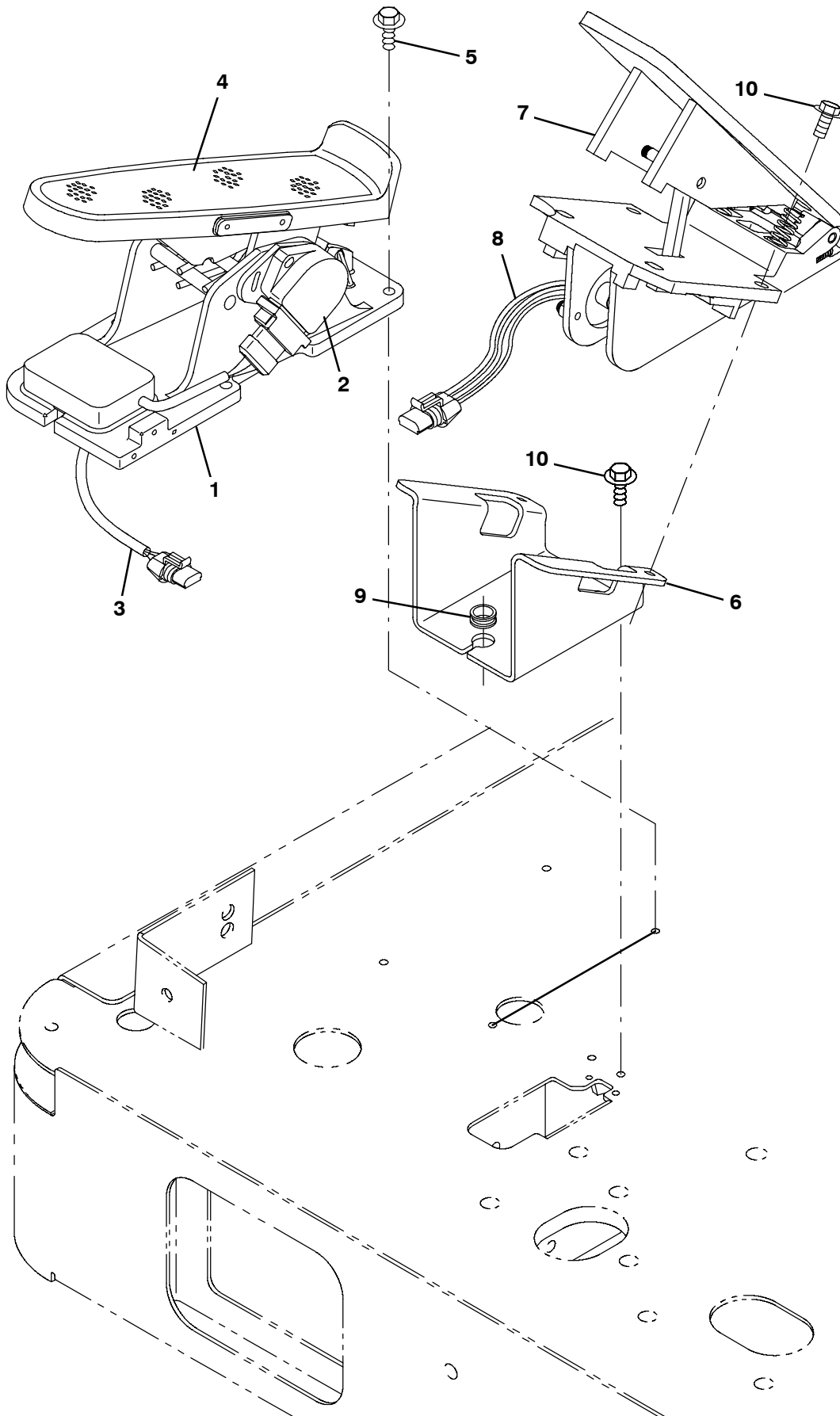




Fig. 13 - Directional Pedal Group (000000-003434)

Ref.	Part No.	Serial Number	Description	Qty.
1	1042524	(002526-003434 )	Pedal Kit, Propel, 36vdc	1
2	385726	(002526-003434 )	Sensor, Pedal Position	1
3	385727	(002526-003434 )	Circuitboard, Pedal	1
4	82839	(002526-003434 )	Tread, Non Skid, 2.2w 11.5l	1
5	74455	(002526-003434 )	Screw, Hex, M06-1.0 X 12, Fmg	4
6	223093	(000000-002525 )	Plate, Directional Control	1
7	74455	(000000-002525 )	Screw, Hex, M06-1.0 X 12, Fmg	4
8	223601	(000000-002525 )	Retainer, Spring	2
9	223600	(000000-002525 )	Strip, Control Spring	4
10	06944	(000000-002525 )	Screw, Hex, M06-1.0 X 25, 8.8	2
11	08708	(000000-002525 )	Nut, Hex, Lock, M06-1.0, NI	2
12	223320	(000000-002525 )	Pedal, Accelerator	1
13	39284	(000000-002525 )	Screw, Hex, M10-1.5 X 35, 8.8	1
14	39312	(000000-002525 )	Nut, Hex, Std, M10-1.5	1
15	32485	(000000-002525 )	Washer, Flat, .38 Sae	3
16	87725	(000000-002525 )	Spacer	1
17	06963	(000000-002525 )	Screw, Hex, M10-1.5 X 60, 8.8	1
18	08182	(000000-002525 )	Pin, Cotter	1
19	41430	(000000-002525 )	Nut, Hex, Lock, M10-1.5, NI	1
20	49609	(000000-002525 )	Screw, Soc, M08-1.25 X 16, Al	2
21	13513	(000000-002525 )	Nut, Hex, Lock, .25-28, NI	2
22	82839	(000000-002525 )	Tread, Non Skid, 2.2w 11.5l	1
23	06474A	(000000-002525 )	Pin, Clevis	1
24	32486	(000000-002525 )	Washer, Flat, .50 Sae	2
25	01714	(000000-002525 )	Nut, Hex, Std, .25-28	2
26	32980	(000000-002525 )	Washer, Lock, Int, #10	2
27	223094	(000000-002525 )	Box, Accelerator	1
28	06931	(000000-002525 )	Screw, Pan M05-0.8 X 6	2
29	223239	(000000-002525 )	Lever, Accelerator	1
30	25047	(000000-002525 )	Screw, Hex, .25-20 X 1.25, G5	1
31	32490	(000000-002525 )	Washer, Flat, .25 Hard	2
32	32981	(000000-002525 )	Nut, Hex, Lock, .25-20, NI	1
33	14601	(000000-002525 )	Balljoint	2
34	223090	(000000-002525 )	Rod, Thread	1
35	08709	(000000-002525 )	Nut, Hex, Lock, M08-1.25,NI	2
36	01683	(000000-002525 )	Washer, Flat, #10 Ss	2

Fig. 14 - Directional and Brake Pedals Group (003435- )



**Fig. 14 - Directional and Brake Pedals Group (003435- )**

	<b>Ref.</b>	<b>Part No.</b>	<b>Serial Number</b>	<b>Description</b>	<b>Qty.</b>
▽	1	1034891	(003435-	) Pedal Assy, Propel, 36vdc	1
▲	2	385726	(003435-	) Sensor, Position, Pedal	1
▲	3	1042513	(003435-	) Circuitboard, Pedal	1
▲	4	1042514	(003435-	) Tread, Non-Skid	1
	5	361339	(003468-	) Screw, Hex, M6 X 1.0 X 16, Fmg	4
	6	1034485	(003468-	) Bracket, Mtg, Brake Pedal	1
▽	7	1034413	(003468-	) Pedal Assy, Brake	1
▲	8	9003614	(003468-	) Switch, Snap, 1.0A Spdt, Rlr	1
	9	10632-12	(003468-	) Grommet, Rbr, 0.38ld, F/0.5H, .12 Matl	1
	10	74455	(003468-	) Screw, Hex, M6 X 1.0 X 12, Fmg	4

Fig. 15 - Rear Wheel Group

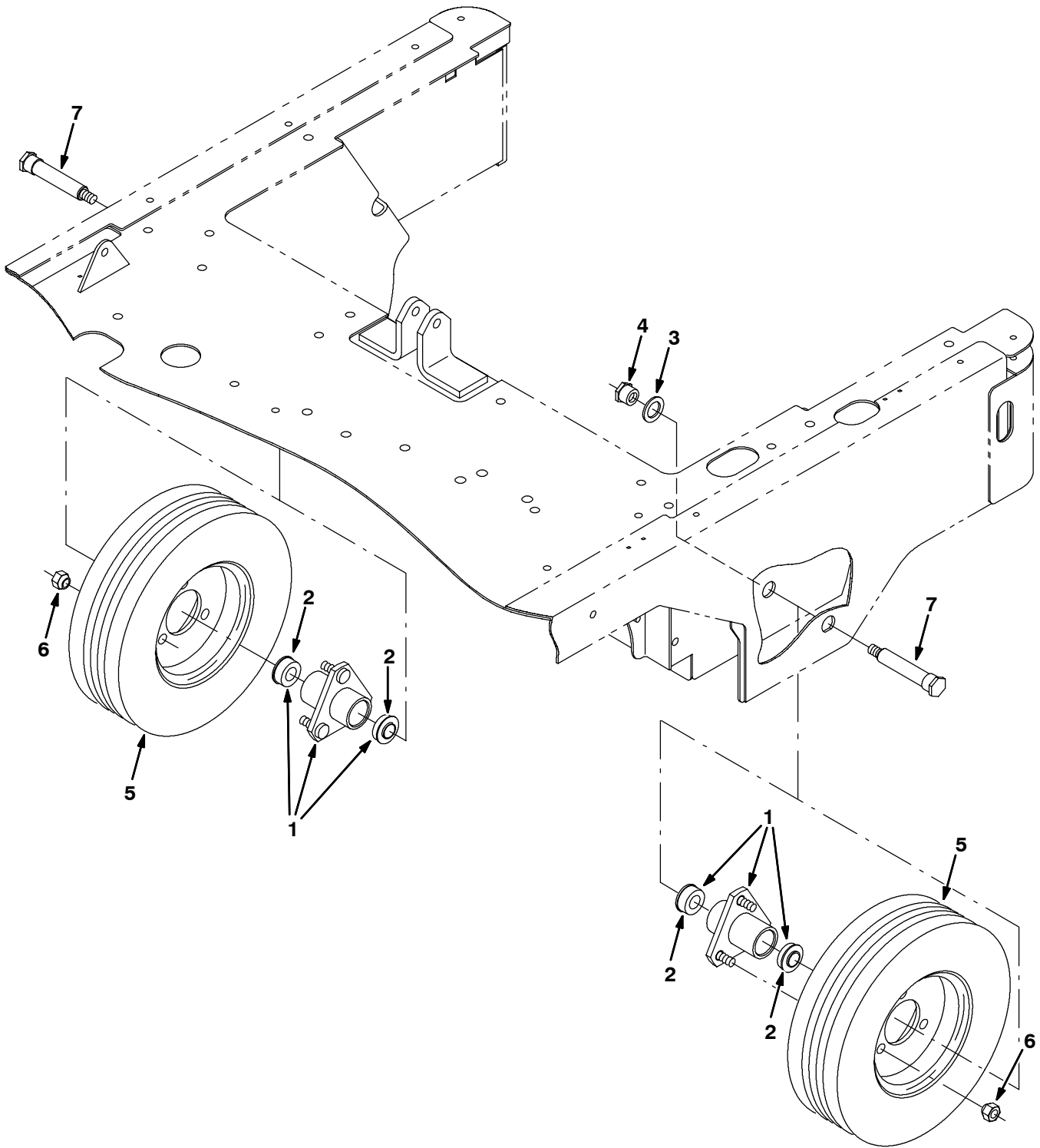


Fig. 15 - Rear Wheel Group

	Ref.	Part No.	Serial Number	Description	Qty.
▽	1	383669	(000000-	) Housing Assy, Wheel, Rear	2
▲	2	369319	(000000-	) Bearing, Ball	2
	3	82226	(000000-	) Washer	2
	4	383563	(000000-	) Nut, Hex, M12X1.75 Special	2
	5	369345	(000000-	) Tire & Rim Assy	2
	6	11109	(000000-	) Nut, Wheel, .44-20 X 60 Angle	6
	7	383538	(000000-	) Axle, Wheel, Rear	2

Fig. 16 - Main Brush Skirts Group

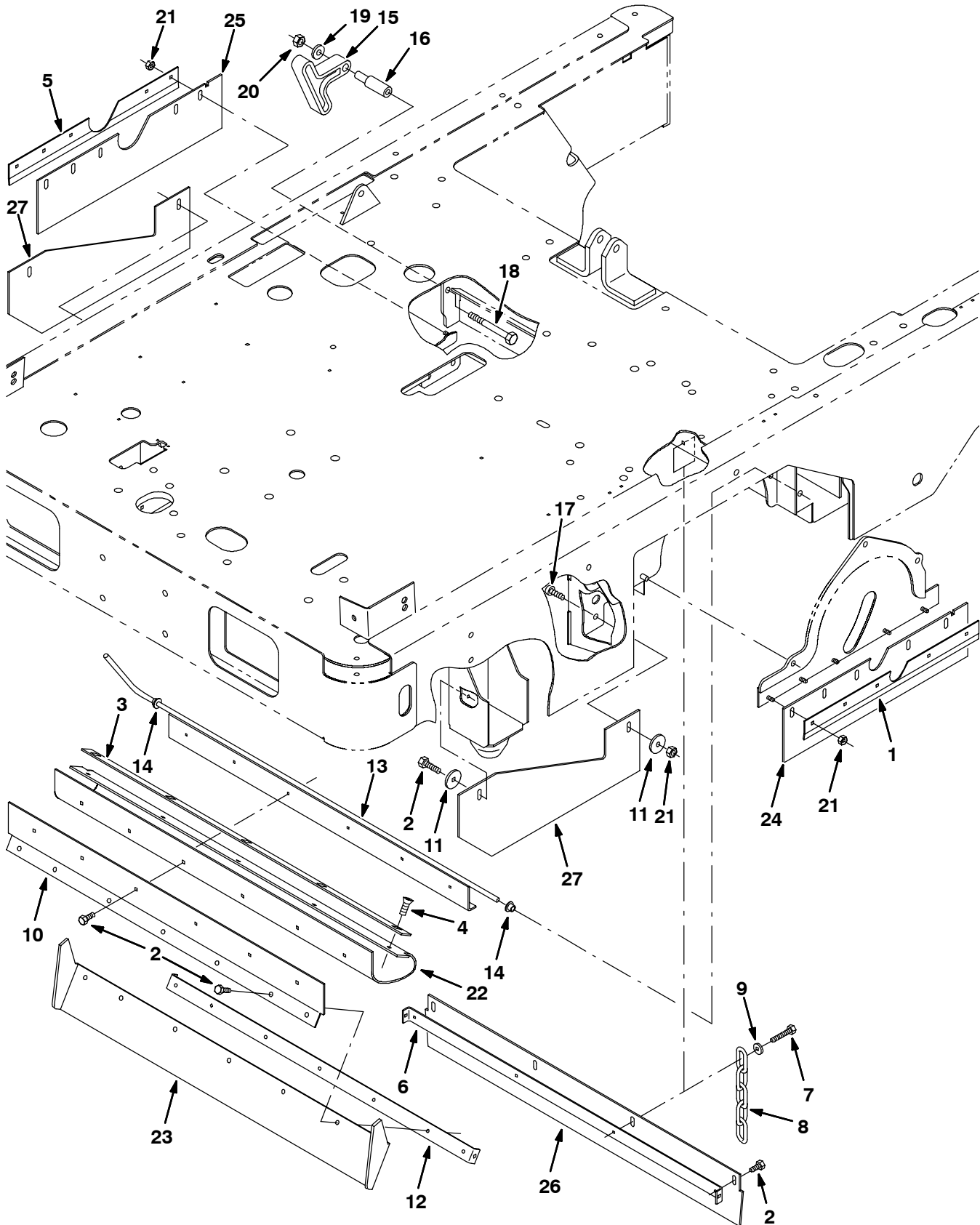


Fig. 16 - Main Brush Skirts Group

Ref.	Part No.	Serial Number	Description	Qty.	
1	81747	(000000-	) Retainer, Recirc, Flap	1	
2	361339	(000000-	) Screw, Hex 6X 1.0 16 Pltd	18	
3	383525	(000000-	) Retainer, Flap	1	
4	360821	(000000-	) Screw, Flat, M08-1.25X 16,10.9	5	
5	81716	(000000-	) Retainer, Recirculation Flap	1	
6	383526	(000000-	) Retainer, Flap, Recirculation	1	
7	222159	(000000-	) Screw, Hex, Fmg, M06-1.0 X 25	1	
8	40758	(000000-	) Chain, Link	1	
9	32490	(000000-	) Washer, Flat, .25 Hard	1	
10	383527	(000000-	) Bracket, Support, Recirculatio	1	
11	30013	(000000-	) Washer, Flat, .31 Fender	4	
12	383528	(000000-	) Strip, Retainer	1	
13	383521	(000000-	) Support Wldt, Recirculation	1	
14	384034	(000000-	) Bearing, Snap-In, .31B, .41Od	2	
15	81797	(000000-	) Lever, Recirc Adj	1	
16	383834	(000000-	) Tube	1	
17	17288	(000000-	) Screw, Btn, M8 X 1.25 X 35, Ss	2	
18	39281	(000000-	) Screw, Hex, M08-1.25 X 90, 8.8	1	
19	32491	(000000-	) Washer, Flat, .31 Hard	1	
20	08709	(000000-	) Nut, Hex, Lock, M08-1.25,NI	1	
21	08712	(000000-	) Nut, Hex, Lock, M06-1.0, NI,Ss	12	
▽	384023	(000000-	) Kit, Skirt, 6200	1	
▲	22	383523	(000000-	) Skirt, Recirculation	1
▲	23	383653	(000000-	) Skirt, Recirculation	1
▲	24	81748	(000000-	) Skirt, Recirculation	1
▲	25	81715	(000000-	) Skirt, Recirc	1
▲	26	383522	(000000-	) Skirt, Recirculation	1
▲	27	383659	(000000-	) Skirt, Deflector, Sidebrush	2

Fig. 17 - Main Brush Front Flap Group

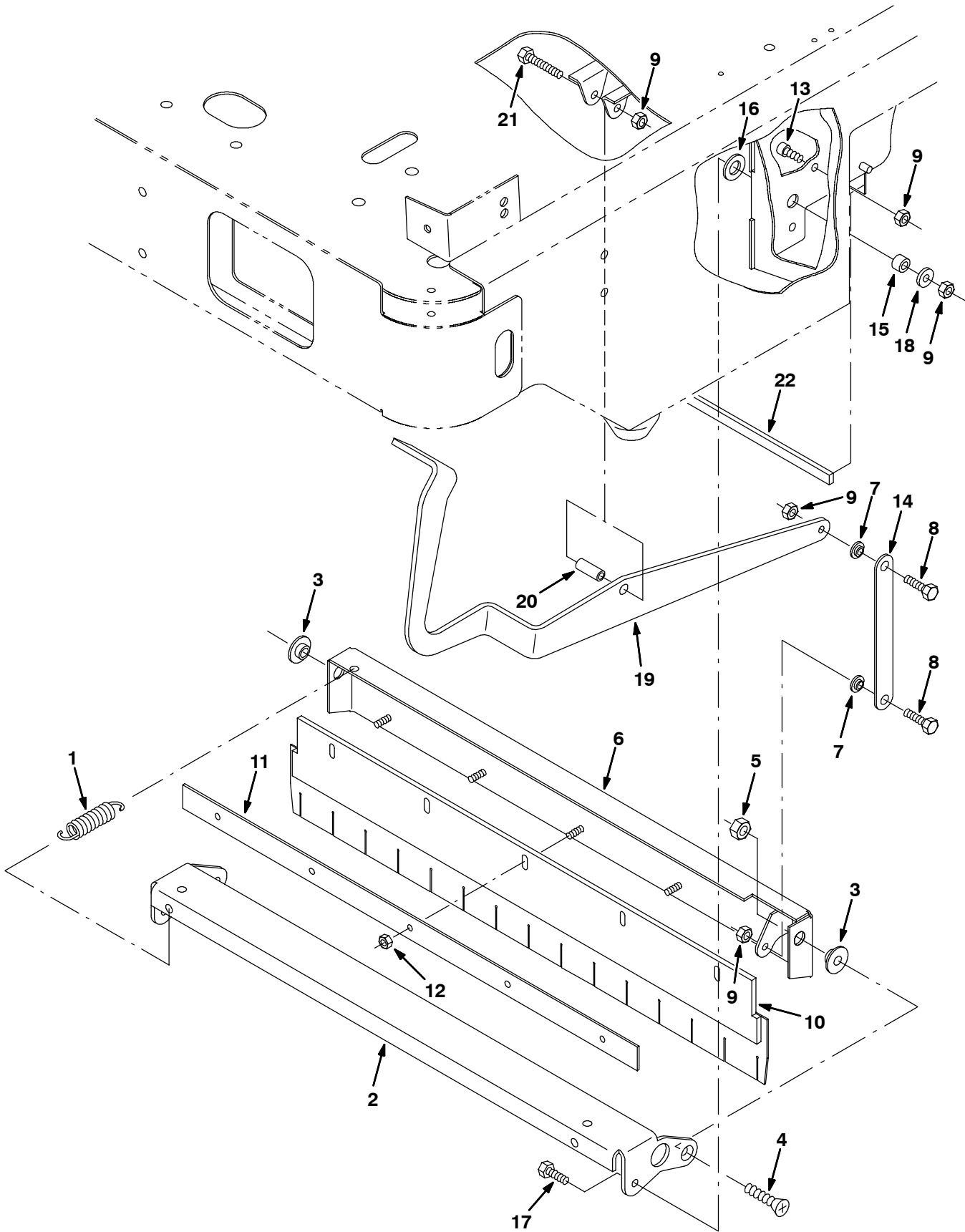




Fig. 17 - Main Brush Front Flap Group

Ref.	Part No.	Serial Number	Description	Qty.
1	75575	(000000-	) Spring, Tension	1
2	383516	(000000-	) Bracket, Skirt, Front	1
3	81897	(000000-	) Retainer	2
4	06535	(000000-	) Screw, Flat, M10-1.5 X 35,10.9	2
5	41430	(000000-	) Nut, Hex, Lock, M10-1.5, NI	2
6	383518	(000000-	) Bracket Wldt, Flap, Front	1
7	01047	(000000-	) Retainer	2
8	16931	(000000-	) Screw, Hex, M08-1.25 X 20, 8.8	2
9	08709	(000000-	) Nut, Hex, Lock, M08-1.25,NI	6
10	383519	(000000-	) Skirt, Front	1
11	383520	(000000-	) Retainer	1
12	08712	(000000-	) Nut, Hex, Lock, M06-1.0, NI,Ss	5
13	49609	(000000-	) Screw, Soc, M08-1.25 X 16, Al	2
14	81759	(000000-	) Plate, Link, Flap	1
15	222556	(000000-	) Sleeve	2
16	20536-1	(000000-	) Washer	2
17	39277	(000000-	) Screw, Hex, M08-1.25 X 25, 8.8	2
18	32491	(000000-	) Washer, Flat, .31 Hard	2
19	383514	(000000-	) Pedal, Front, Skirt	1
20	222497	(000000-	) Sleeve	1
21	39278	(000000-	) Screw, Hex, M08-1.25 X 50, 8.8	1
22	384043	(000000-	) Seal, Rbr, Clsd, 0.25, 0.50w 31.2l Adh	1

Fig. 18 - Main Brush Idler Group

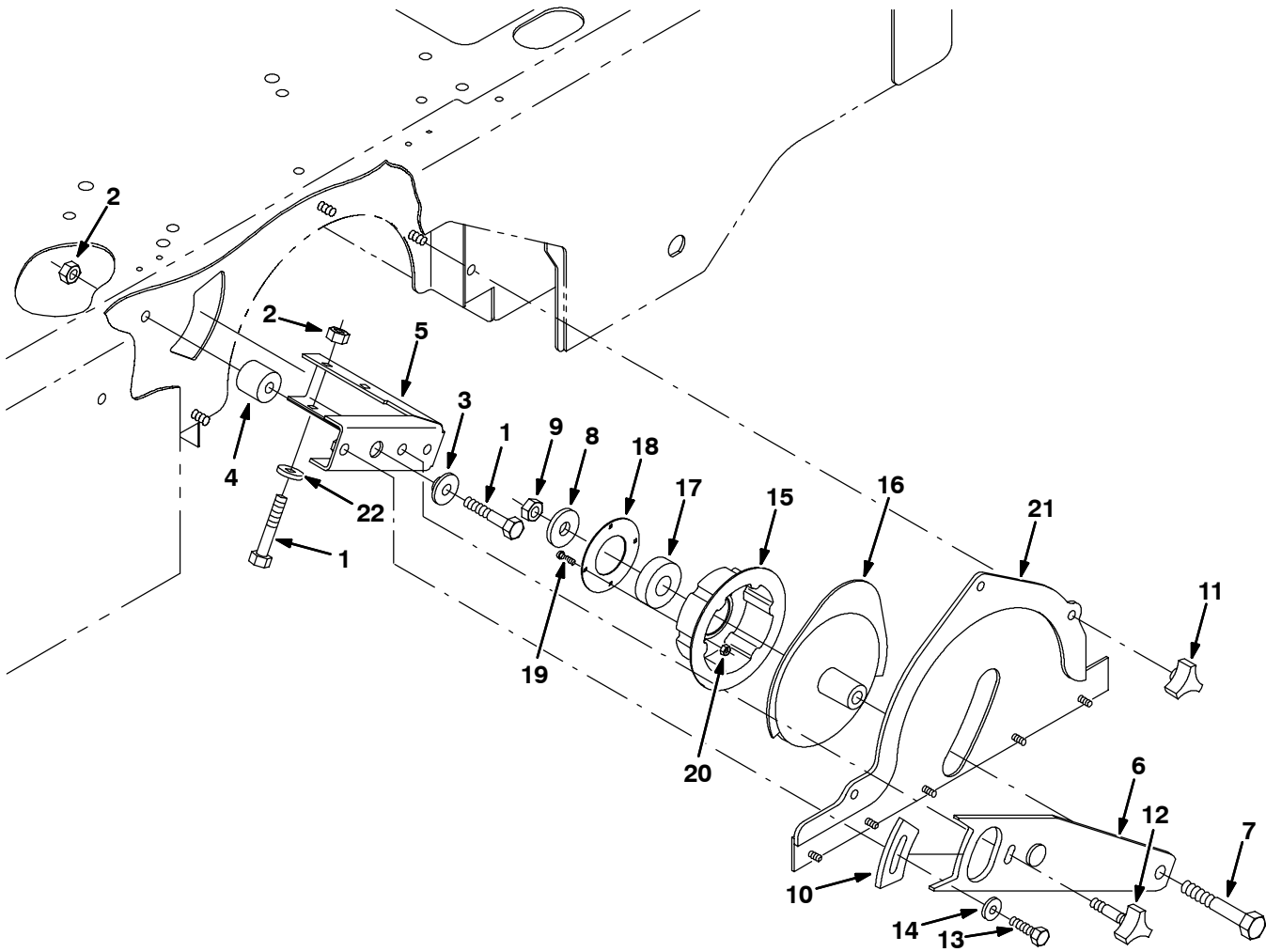


Fig. 18 - Main Brush Idler Group

Ref.	Part No.	Serial Number	Description	Qty.
1	06963	(000000-	) Screw, Hex, M10-1.5 X 60, 8.8	3
2	41430	(000000-	) Nut, Hex, Lock, M10-1.5, NI	3
3	81897	(000000-	) Retainer	1
4	81729	(000000-	) Spacer	1
5	383705	(000000-	) Bracket, Arm, Brush	1
6	383703	(000000-	) Plate, Arm, Idler	1
7	12138	(000000-	) Screw, Hex, M12-1.75 X120, 8.8	1
8	36328	(000000-	) Washer, Bellville	1
9	09741	(000000-	) Nut, Hex, Lock, M12-1.75,NI,Ss	1
10	81884	(000000-	) Plate, Arm Adj	1
11	222470	(000000-	) Knob, M8X1.25 Insert	3
12	83189	(000000-	) Knob Assy	1
13	39277	(000000-	) Screw, Hex, M08-1.25 X 25, 8.8	1
14	32491	(000000-	) Washer, Flat, .31 Hard	1
15	81818	(000000-	) Plug, Brush, Drive	1
16	81735	(000000-	) Plug	1
17	46390	(000000-	) Bearing, Ball, 0.79b 1.85d 0.55w	1
18	35836	(000000-	) Retainer	1
19	12312	(000000-	) Screw, Hex, M05-0.8 X 12, 8.8	4
20	06549	(000000-	) Nut, Hex, Lock, M05-0.8, NI	4
21	81775	(000000-	) Brush Door Wldt	1
22	32492	(000000-	) Washer, Flat, .38 Hard	2

**Fig. 19 - Main Brush Drive Group**

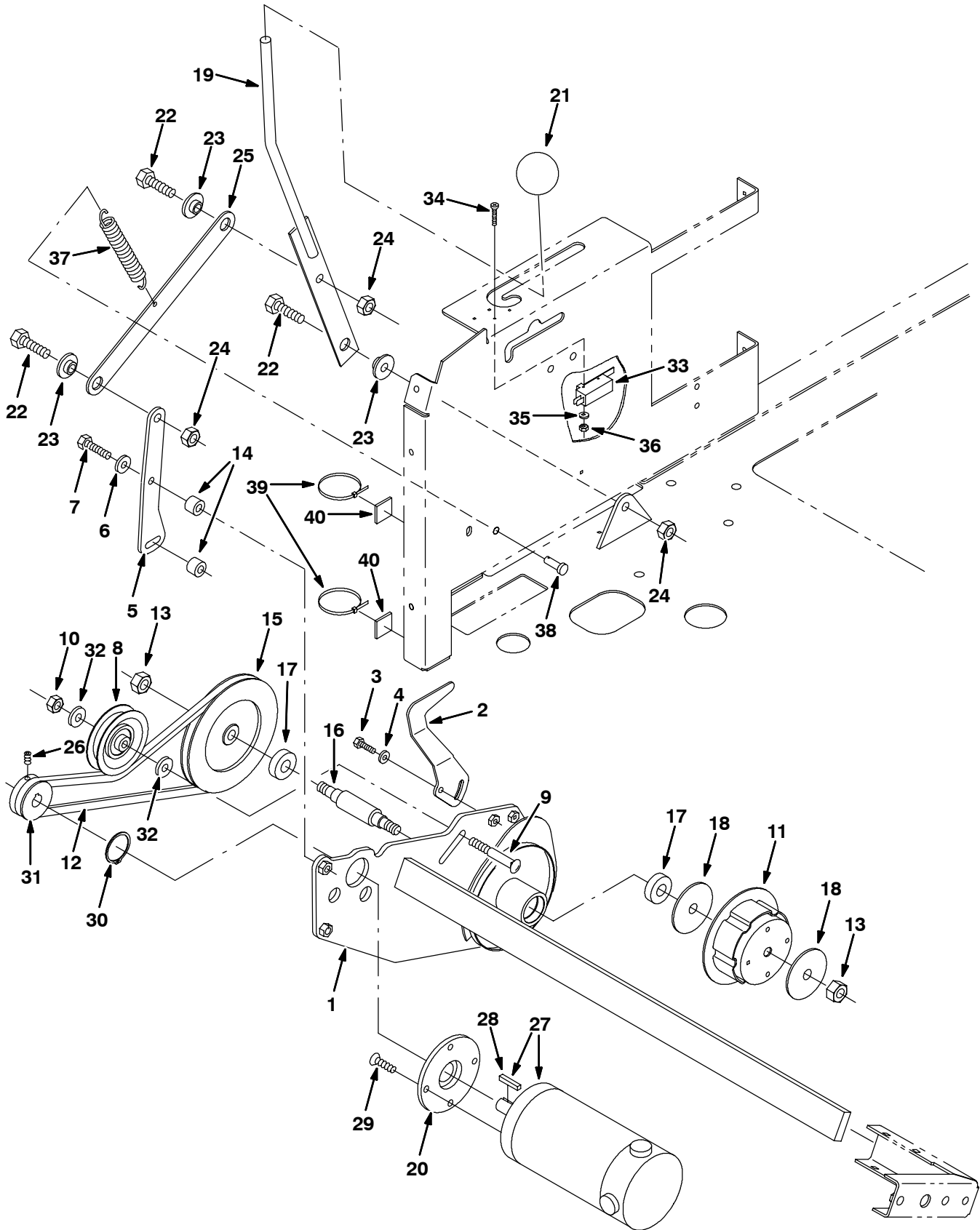


Fig. 19 - Main Brush Drive Group

Ref.	Part No.	Serial Number	Description	Qty.	
1	383530	(000000-	) Arm Wldt, Brush	1	
2	383655	(000000-	) Plate, Door, Brush	1	
3	06943	(000000-	) Screw, Hex, M06-1.0 X 20, 8.8	2	
4	32490	(000000-	) Washer, Flat, .25 Hard	2	
5	81894	(000000-	) Link, Brush Arm	1	
6	32491	(000000-	) Washer, Flat, .31 Hard	2	
7	06955	(000000-	) Screw, Hex, M08-1.25 X 35, 8.8	2	
8	81710	(000000-	) Sheave	1	
9	378964	(000000-	) Bolt, Carriage, .38-16 X 2.00	1	
10	59156	(000000-	) Nut, Hex, Lock, .38-16, NI, Ss	1	
11	81819	(000000-	) Plug, Brush Drive, Splined	1	
12	383861	(000000-	) Belt, V, 3L 33.90L	1	
13	35846	(000000-	) Nut, Hex, Std, .50-13, Lh	2	
14	383981	(000000-	) Spacer, Round, Brush, Main	2	
15	383660	(000000-	) Pulley	1	
16	81711	(000000-	) Shaft, Brush Drive .88Dx5.2L .	1	
17	28010	(000000-	) Bearing, Ball	2	
18	02384	(000000-	) Washer	2	
19	383532	(000000-	) Handle Wldt	1	
20	81705	(000000-	) Pivot, Motor	1	
21	81796	(000000-	) Knob, Round, Press On .50	1	
22	03192	(000000-	) Screw, Hex, M10-1.5 X 30, 8.8	3	
23	81897	(000000-	) Retainer	3	
24	41430	(000000-	) Nut, Hex, Lock, M10-1.5, NI	3	
25	81733	(000000-	) Strip, Link, Brush Lift	1	
26	09162	(000000-	) Screw, Set, M06-1.0 X 8, NI	2	
27	383709	(000000-002796)	) Motor, Brush Drive (See Breakdowns) (Replaced by 374267)	1	
▽	27	374267	(002797-003623)	) Motor, Ele, 36vdc 0.90hp 1800rpm (See Breakdowns) (Replaced by 1055615)	1
▲	28	00912	(000000-003623)	) Key, Sq, 0.19 X 0.19, 1.00l	1
▽	27	1055615	(003624-	) Motor, Ele, 36vdc 1800rpm 0.90hp	1
▲	28	00916	(003624-	) Key, Sq, 0.19 X 0.19, 1.50l	1
29	222692	(000000-	) Screw, Flat, M08-1.25X 25, Ss	4	
30	81798	(000000-	) Ring, Retaining, 32Mm	1	
31	383661	(000000-	) Pulley	1	
32	32492	(000000-	) Washer, Flat, .38 Hard	2	
33	1008142	(000000-	) Switch, Snap Actn, 250vdc 25a Spdt	1	
34	06923	(000000-	) Screw, Pan, M03-0.5 X 25, 4.8	2	
35	39658	(000000-	) Washer, Lock, Int, #04	2	
36	01754	(000000-	) Nut, Hex, Std, M03-0.5	2	
37	29499	(000000-	) Spring, Tension	1	
38	46800	(000000-	) Pin, Clevis	1	
39	49266	(000000-	) Tie, Cable 1.75D Max 7.50Lg	2	
40	55248	(000000-	) Mount, Cable Tie	2	

Fig. 20 - Side Brush Lift Group

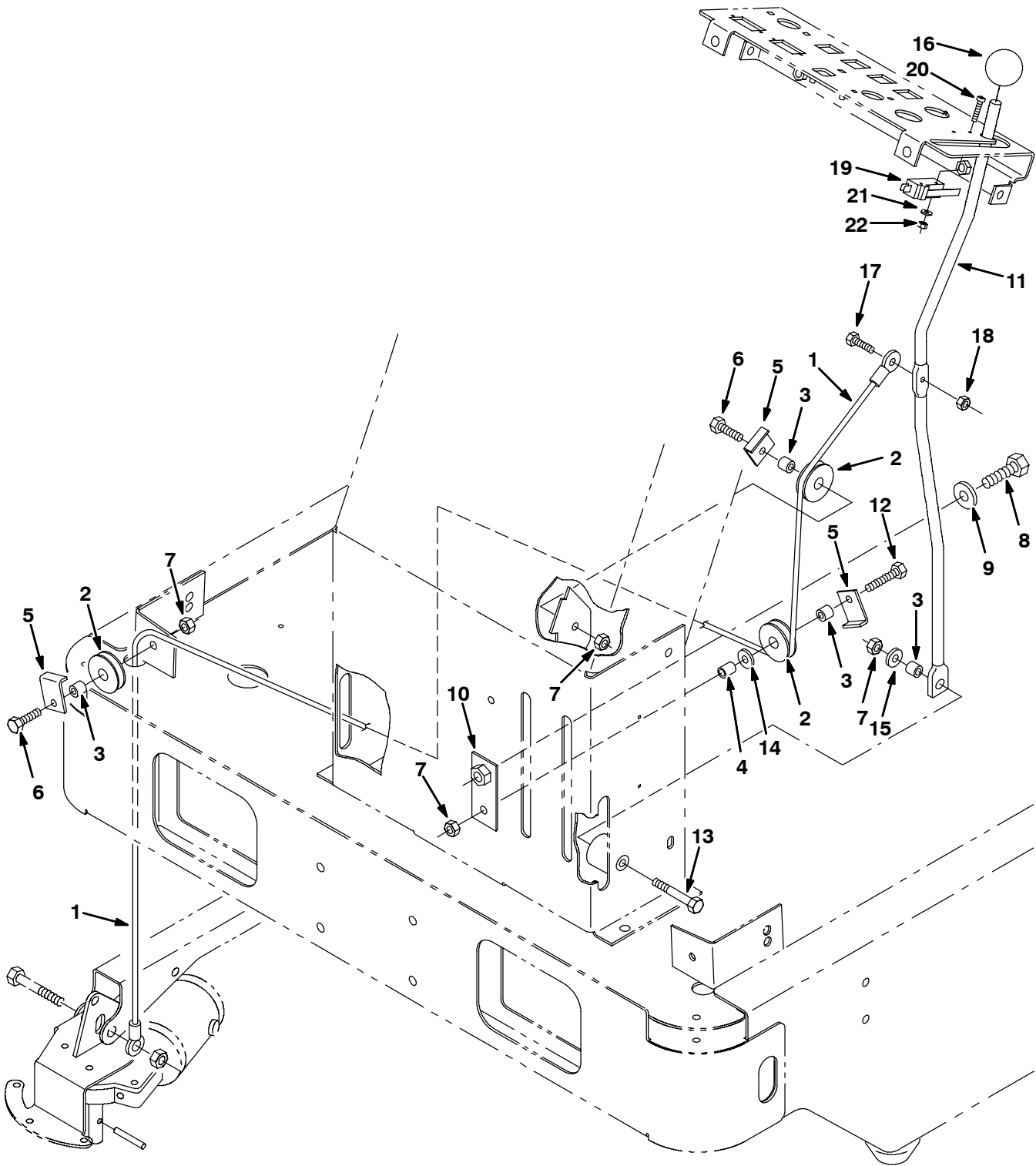


Fig. 20 - Side Brush Lift Group

Ref.	Part No.	Serial Number	Description	Qty.
1	383511	(000000-	) Cable, Brush, Side, Rh	1
2	369781	(000000-	) Pulley, Cable, 1.5d, Nyl	3
3	222460	(000000-	) Sleeve	4
4	80395	(000000-	) Sleeve	1
5	54400	(000000-	) Angle	3
6	76570	(000000-	) Screw, Hex, M08-1.25 X 30, 8.8	2
7	08709	(000000-	) Nut, Hex, Lock, M08-1.25,NI	4
8	06967	(000000-	) Scr Hex M12X1.75 20	1
9	32493	(000000-	) Washer, Flat, .50 Hard	1
10	81955	(000000-	) Plate, Sidebrush Lift	1
11	383552	(000000-	) Handle, Brush, Lift, Side	1
12	06956	(000000-	) Screw, Hex, M08-1.25 X 45, 8.8	1
13	06957	(000000-	) Screw, Hex, M08-1.25 X 60,8.8	1
14	32491	(000000-	) Washer, Flat, .31 Hard	1
15	39349	(000000-	) Washer, Flat, .31 Sae	1
16	81796	(000000-	) Knob, Round, Press On .50	1
17	06944	(000000-	) Screw, Hex, M06-1.0 X 25, 8.8	1
18	08708	(000000-	) Nut, Hex, Lock, M06-1.0, NI	1
19	1008147	(000000-	) Switch, Snap Actn, 250vdc 20a Dpdt	1
20	06923	(000000-	) Screw, Pan, M03-0.5 X 25, 4.8	2
21	39658	(000000-	) Washer, Lock, Int, #04	2
22	01754	(000000-	) Nut, Hex, Std, M03-0.5	2

Fig. 21 - Side Brush Motor Group

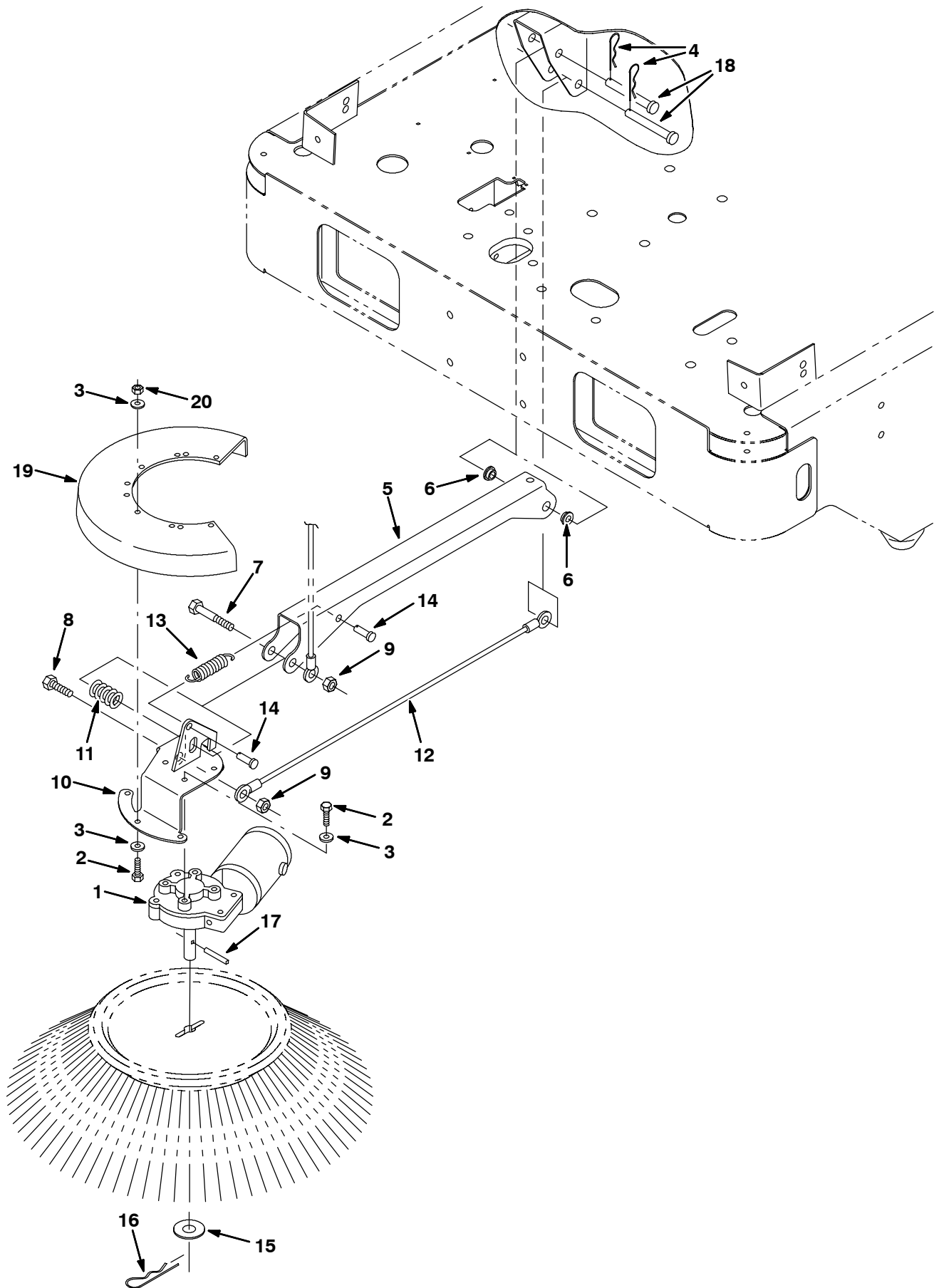




Fig. 21 - Side Brush Motor Group

	Ref.	Part No.	Serial Number	Description	Qty.
▽	1	1008274	(000000-	) Motor, Ele, 36vdc 0.08hp 0068rpm 04.5a	1
▲		81919	(000000-	) Brush&Spring Assy	2
▲		80127	(000000-	) Cap, Brush	2
▲		369795	(000000-	) Brushholder	2
▲		369796	(000000-	) Clip	2
	2	15678	(000000-	) Screw, Hex, M06-1.0 X 16, Ss	9
	3	01684	(000000-	) Washer, Flat, .25 Ss	14
	4	44906	(000000-	) Pin, Hair Cotter	2
	5	383533	(000000-	) Channel, Mtg, Sidebrush	1
	6	15648	(000000-	) Bearing, Flange	2
	7	06972	(000000-	) Screw, Hex, M12-1.75 X 60, 8.8	1
	8	41345	(000000-	) Screw, Hex, M12-1.75 X 25, 8.8	1
	9	08711	(000000-	) Nut, Hex, Lock, M12-1.75,NI	2
	10	81786	(000000-	) Bracket Wldt, Side Brush	1
	11	87242	(000000-	) Spring,Die .50 Id 1.00 Od 1.25	1
	12	367375	(000000-	) Cable, Brush, Side	1
	13	15047	(000000-	) Spring, Extension	1
	14	39019	(000000-	) Pin, Clevis	2
	15	04400	(000000-	) Washer, Flat, M16, 17 X30X3Ss	1
	16	02942	(000000-	) Pin, Hair Cotter	1
	17	11516	(000000-	) Pin	1
	18	06279	(000000-	) Pin, Clevis	2
	19	384049	(000000-	) Guard, Brush, Side	1
	20	08712	(000000-	) Nut, Hex, Lock, M06-1.0, NI, Ss	5

Fig. 22 - Vacuum Fan Group

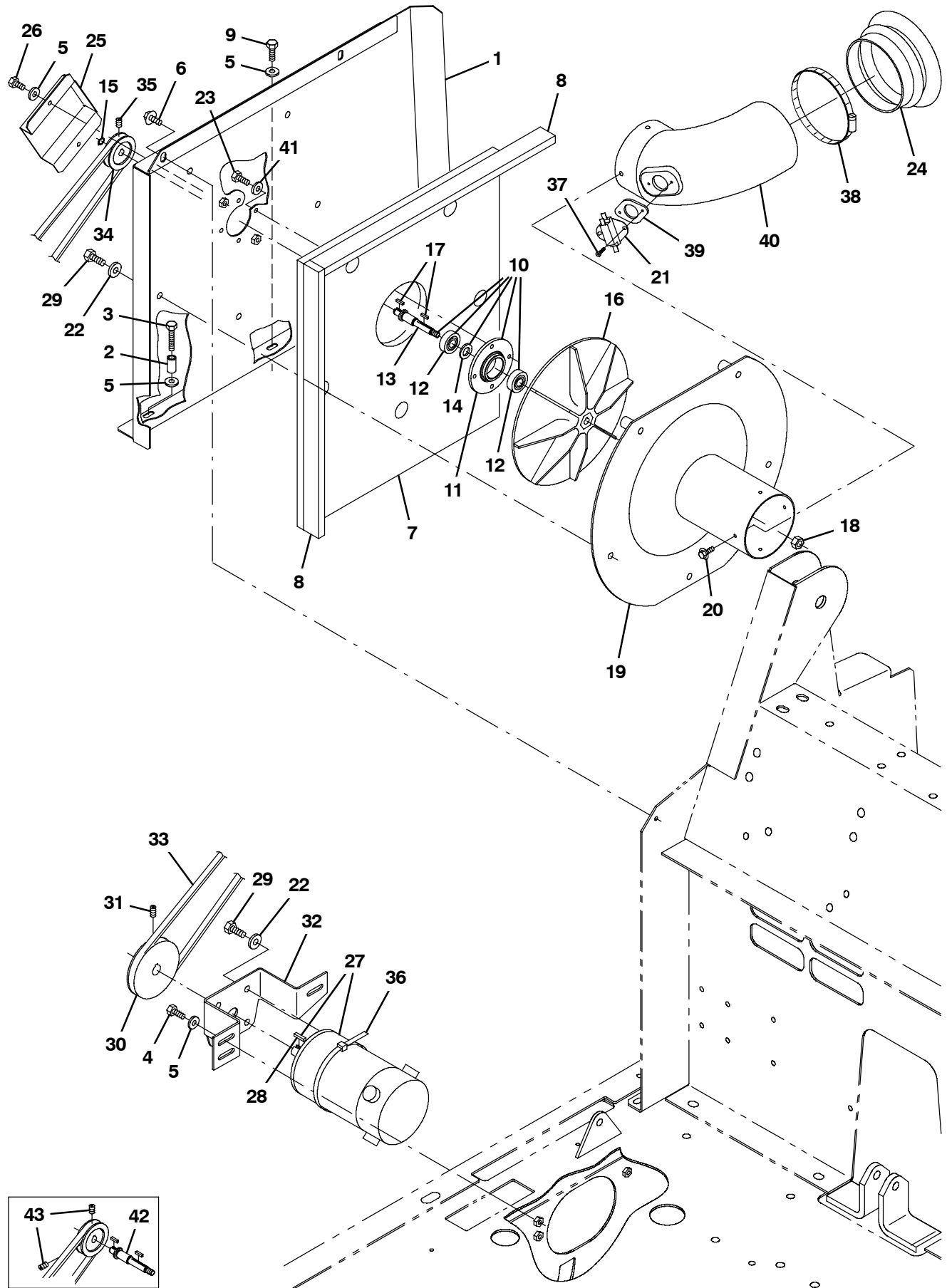


Fig. 22 - Vacuum Fan Group

Ref.	Part No.	Serial Number	Description	Qty.	
1	384103	(000000-	) Housing, Fan	1	
2	222496	(000000-	) Sleeve	2	
3	06947	(000000-	) Screw, Hex, M06-1.0 X 40, 8.8	2	
4	06942	(000000-	) Screw, Hex, M06-1.0 X 16, 8.8	3	
5	32490	(000000-	) Washer, Flat, .25 Hard	8	
6	74455	(000000-	) Screw, Hex, Fmg, M06-1.0 X 12	2	
7	384105	(000000-	) Insulation, Acoustic	1	
8	384106	(000000-	) Insulation, Acoustic	2	
9	06943	(000000-	) Screw, Hex, M06-1.0 X 20, 8.8	1	
▽	10	83038	(000000-	) Bearing Assy, Vac Fan	1
▲	11	81838	(000000-	) Housing, Bearing	1
▲	12	81830	(000000-	) Bearing, Ball	2
▲	13	1039403	(003370-	) Shaft, Drive, Vacfan, .66d 03.4l	1
▲	14	41722	(000000-	) Washer	1
▲	15	23524-1	(000000-	) Ring, Retaining, Ext, 0.38d, [Selflock]	1
16	81890	(000000-	) Impeller, 9.06 D X 0.375 B	1	
17	00960	(000000-	) Key, Square	2	
18	87299	(000000-	) Nut, Hex, Flexlock, .31-24	1	
19	384109	(000000-	) Plate Wldt, Inlet, Fan	1	
20	55845	(000000-	) Screw, Hex, Fmg, M05-0.8 X 16	4	
21	367679	(000000-	) Thermostat, Spdt Switch	1	
22	32491	(000000-	) Washer, Flat, .31 Hard	9	
23	11635	(000000-	) Screw, Hex, M06-1.0 X 12, Ss	4	
24	384202	(000000-	) Seal, Inlet, Fan	1	
25	81917	(000000-	) Guard, Fan Sheave	1	
26	87308	(000000-	) Screw, Hex, M06-1.0 X 12, 8.8	2	
27	222409	(000000-002563	) Motor, .75Hp, 36V, 2500Rpm (See Breakdowns) (Replaced by 374201)	1	
▽	27	374201	(002564-	) Motor, Ele, 36vdc 0.75hp 2500rpm. (See Breakdowns)	1
▲	28	00912	(000000-	) Key, Sq, 0.19 X 0.19, 1.00l	1
29	16931	(000000-	) Screw, Hex, M8 X 1.25 X 20, 8.8	4	
30	81875	(000000-	) Sheave, 3L,1G,3.750Pd,0.625ld	1	
31	01750	(000000-	) Screw, Set, M06-1.0 X 16, 45H	2	
32	384111	(000000-	) Bracket, Motor, Fan	1	
33	384102	(000000-	) Belt, V, 3L 50.0L	1	
34	81835	(000000-	) Sheave, 3L,1G,2.011Pd,0.375ld	1	
35	09162	(003370-	) Screw, Set, M06-1.0 X 8, NI	1	
36	44961	(000000-	) Tie, Cable 4.00 Max 14.50Lg	1	
37	360973	(000000-	) Screw, Pan, #12- X 0.50	2	
38	23498	(000000-	) Clamp, Wormdrive	1	
39	82733	(000000-	) Gasket	1	
40	384201	(000000-	) Duct, Inlet, Fan	1	
41	41185	(000000-	) Washer, Belleville, .25	4	
42	81828	(000000-003369	) Shaft, Fan	1	
43	09162	(000000-003369	) Screw, Set, M06-1.0 X 8, NI	2	

Fig. 23 - Hopper and Filter Box Group

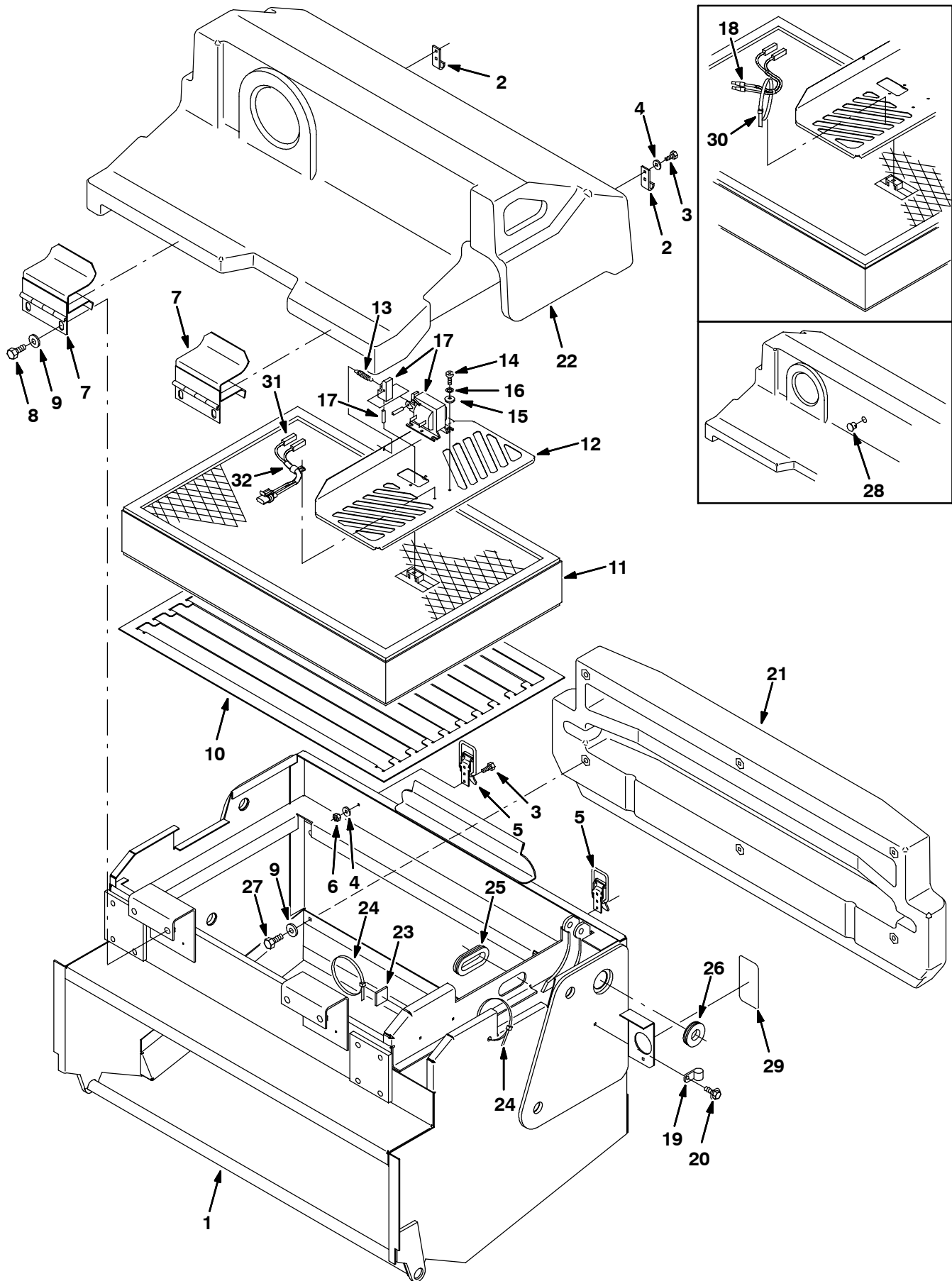


Fig. 23 - Hopper and Filter Box Group

Ref.	Part No.	Serial Number	Description	Qty.
1	383787	(000000-	) Hopper Wldt, 6200	1
2	81816	(000000-	) Bracket, Latch	2
3	12312	(000000-	) Screw, Hex, M05-0.8 X 12, 8.8	8
4	19324	(000000-	) Washer, Flat, #10 Sae	8
5	23709	(000000-	) Catch, Draw Pull	2
6	06549	(000000-	) Nut, Hex, Lock, M05-0.8, NI	4
7	384206	(000000-	) Hinge Wldt, Cover	2
8	16931	(000000-	) Screw, Hex, M08-1.25 X 20, 8.8	4
9	32491	(000000-	) Washer, Flat, .31 Hard	10
10	383793	(000000-	) Plate, Baffle, Filter	1
11	1037210	(000000-	) Filter, Panl, Dust, 4.2 X 16.0 X 24.0	1
12	383461	(000000-	) Angle, Mtg, Shaker, Filter	1
13	1045426	(000000-	) Spring, Extn, 0.43od 0.05wir 01.4l	1
14	49697	(000000-	) Screw, Pan, M04-0.7 X 10, Ss	4
15	19065	(000000-	) Washer, Flat, #08	4
16	32978	(000000-	) Washer, Lock, Int, #08	4
17	379891	(000000-	) Solenoid, Filter Shaker	1
18	383835	(000000-002040)	) Harness, Solenoid, Shaker	1
19	26395-1	(000000-	) Clamp, Cable	1
20	361339	(000000-	) Screw, Hex 6X 1.0 16 Pltd	1
21	384160	(000000-	) Bumper, Rear	1
22	384200	(000000-	) Cover, Filter	1
23	55248	(000000-	) Mount, Cable Tie	1
24	49266	(000000-	) Tie, Cable 1.75D Max 7.50Lg	2
25	54345	(000000-	) Grommet, Rubber	1
26	384282	(000000-	) Grommet, Rubber	1
27	16735	(000000-	) Screw, Hex, M08-1.25 X 16, 8.8	6
28	65584	(000000- xxxxxx)	) Button, Plug	1
29	384269	(000000-	) Label, Tailight	2
30	49266	(000000-002040)	) Tie, Cable 1.75D Max 7.50Lg	1
31	83384	(002041-	) Harness, Solenoid, Shaker	1
32	26395-2	(002041-	) Clamp, Cable	1

**Fig. 24 - Hopper Lift Arms Group**

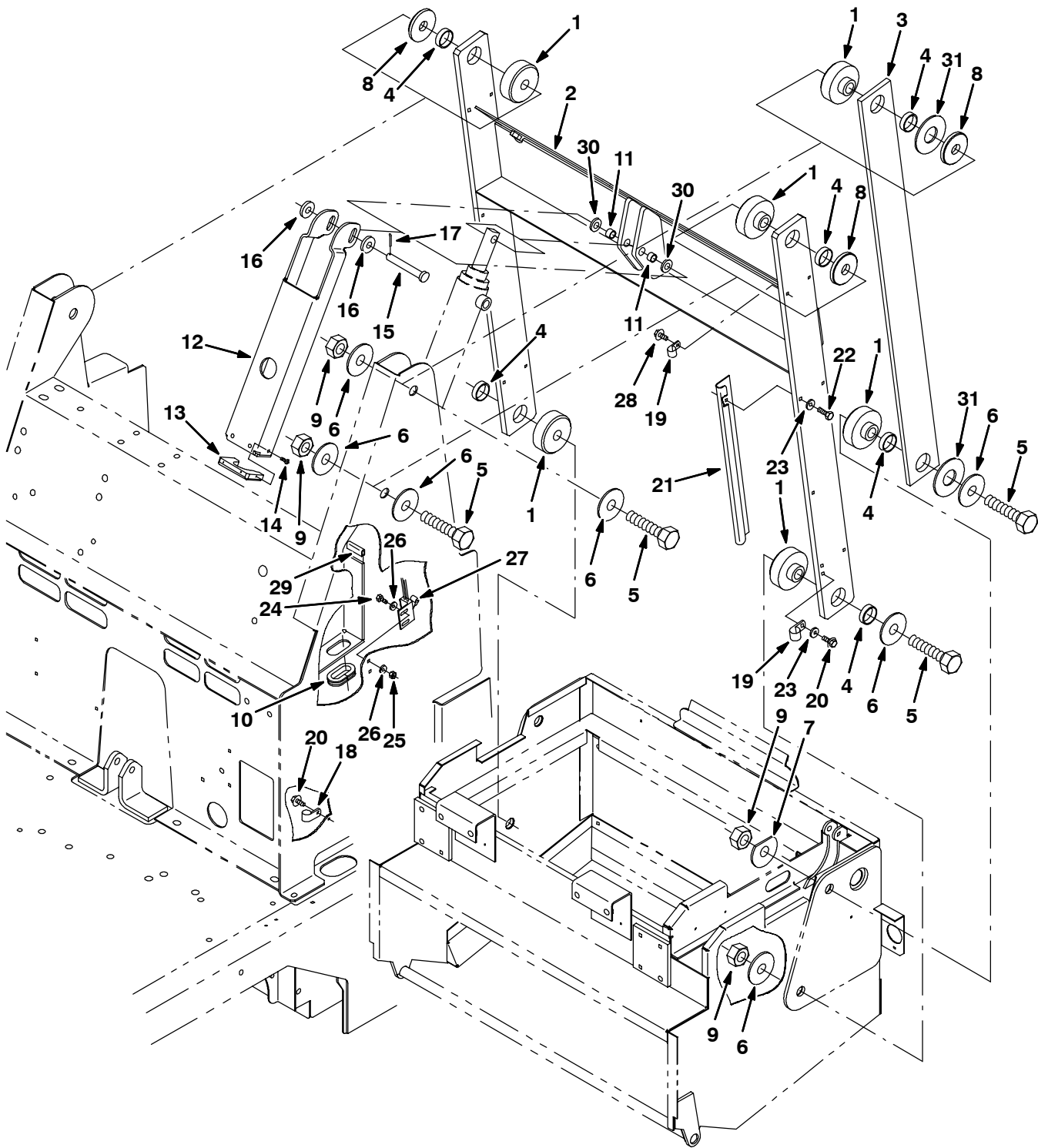


Fig. 24 - Hopper Lift Arms Group

Ref.	Part No.	Serial Number	Description	Qty.
1	383475	(000000-	) Spacer, Pivot, Arm, Lift	6
2	384196	(000000-	) Arm, W/Label, 6200	1
3	383560	(000000-	) Arm, Hopper Lift	1
4	70627	(000000-	) Bearing	6
5	06996	(000000-	) Screw, Hex, M20-2.5 X 80, 8.8	6
6	383474	(000000-	) Washer, .81B 295Od .12, Stl	11
7	384009	(000000-	) Washer, .875B 2.5Od, .12W Rewo	1
8	383990	(000000-	) Tube, Stl, .875B 3.25D .30I	3
9	07783	(000000-	) Nut, Hex, Std, M20-2.5	6
10	10632-13	(000000-	) Grommet, Rubber	1
11	64173	(000000-	) Bushing, Sleeve, 0.50b 0.59d 0.38l, Stl	2
12	383763	(000000-	) Arm, Safety, Hppr	1
13	383940	(000000-	) Follower, Cyl, Plastic	1
14	360973	(000000-	) Screw, Pan, #12- X 0.50	4
15	23683	(000000-	) Pin, Clevis	1
16	32486	(000000-	) Washer, Flat, .50 Sae	2
17	08182	(000000-	) Pin, Cotter	1
18	40678-1	(000000-	) Clamp, Cable, Stl, 0.88d X 0.62w, 1hole	1
19	26395-1	(000000-	) Clamp, Cable, Stl, 0.56d X 0.38w, 1hole	2
20	361339	(000000-	) Screw, Hex 6X 1.0 16 Pltd	2
21	384070	(000000-	) Angle, Cover, Harness	1
22	06943	(000000-	) Screw, Hex, M06-1.0 X 20, 8.8	2
23	32483	(000000-	) Washer, Flat, .25 Sae	3
24	09244	(000000-	) Screw, Hex, M05-0.8 X 16, 8.8	2
25	06549	(000000-	) Nut, Hex, Lock, M05-0.8, NI	2
26	19066	(000000-	) Washer, Flat, #10	4
27	367404	(000000-	) Switch Assy, Roller, No	1
28	16958	(000000-	) Screw, Hex, Fmg, .31-18 X .50	1
29	384156	(000000-	) Molding, Trim 3/16-5/16 1.50	1
30	89710	(000000-	) Washer, .510B 1.00D .03Nylon	2
31	384306	(000000-	) Spacer, 3.00D 1.25ld .12Nyl	2

**Fig. 25 - Hopper Dump Door Group**

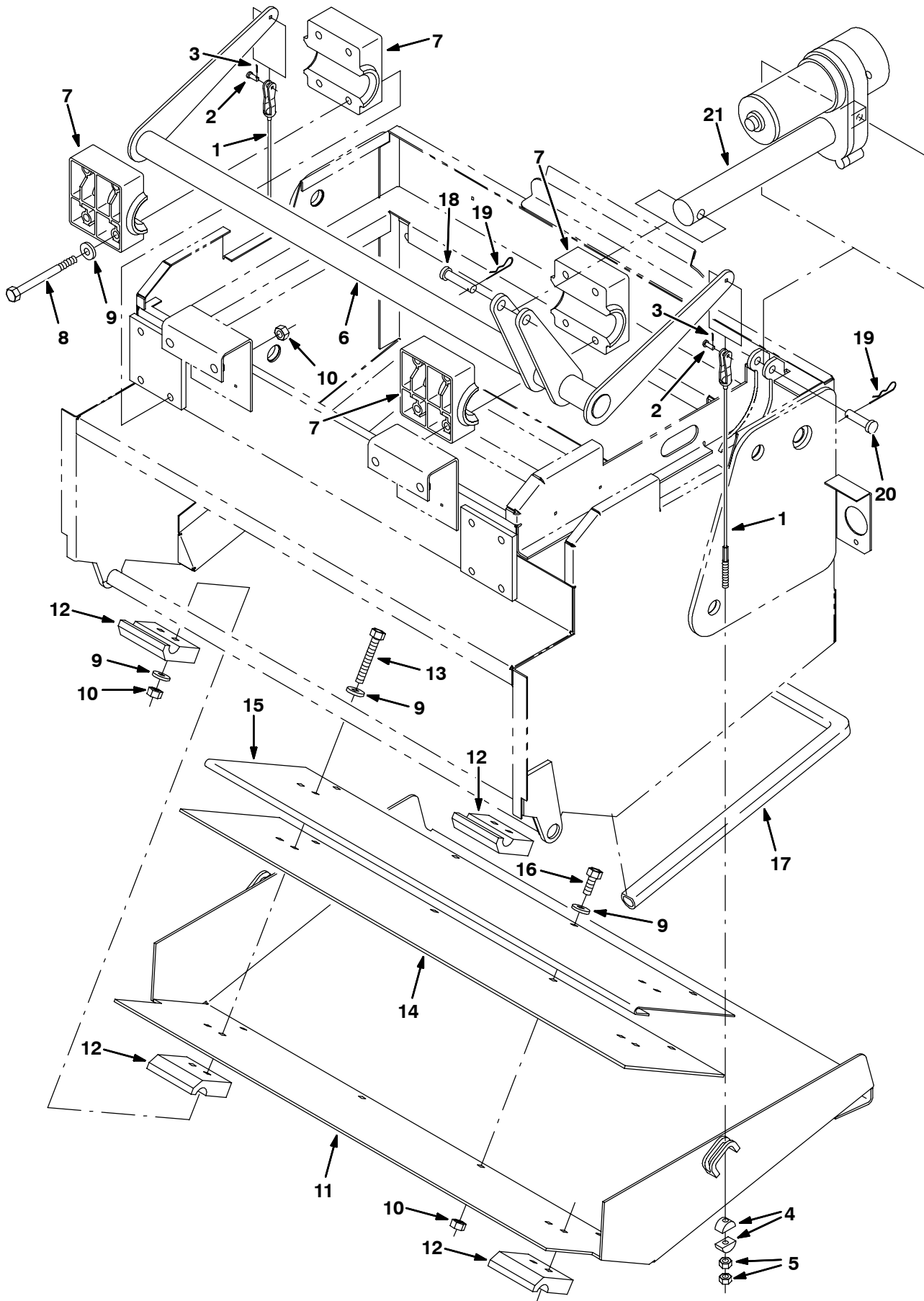




Fig. 25 - Hopper Dump Door Group

Ref.	Part No.	Serial Number	Description	Qty.
1	383590	(000000-	) Cable, Door, .12Dia, 13.50L	2
2	36376	(000000-	) Pin, Clevis	2
3	08170	(000000-	) Pin, Cotter	2
4	383598	(000000-	) Pivot, Cable, Dump Door	4
5	32520	(000000-	) Nut, Hex, Jam, .25-20	4
6	383796	(000000-	) Shaft Wldt, Actuator, Door	1
7	383745	(000000-	) Bearing, Block, Nylon	4
8	39281	(000000-	) Screw, Hex, M08-1.25 X 90, 8.8	8
9	32491	(000000-	) Washer, Flat, .31 Hard	20
10	08709	(000000-	) Nut, Hex, Lock, M08-1.25, NI	16
11	383424	(000000-	) Door Wldt, Dump	1
12	383410	(000000-	) Hinge, Door, Dump	4
13	06957	(000000-	) Screw, Hex, M08-1.25 X 60,8.8	4
14	383445	(000000-	) Seal, Hopper, Lip	1
15	383409	(000000-	) Plate, Hopper, Lip	1
16	16931	(000000-	) Screw, Hex, M08-1.25 X 20, 8.8	4
17	1015271	(000000-	) Seal, Afrmkt, Bulb, Str, 0.76, 0.93w 08ft	1
18	21722	(000000-	) Pin, Clevis	1
19	86866	(000000-	) Pin, Hair Cotter	2
20	29558	(000000-	) Pin, Clevis	1
21	383829	(000000-	) Actuator Kit, 36vdc, F/383680, Replmt	1



Fig. 26 - Hydraulic Hopper Lift Group

Ref.	Part No.	Serial Number	Description	Qty.	
1	383826	(000000-	) Pump Assy, Hyd, 36V (See Breakdowns)	1	
2	383912	(000000-	) Sleeve, .438ld X 1.00Od X 1.00	2	
3	39310	(000000-	) Screw, Soc, M10 X 1.5 X 40, 12.9	2	
4	32492	(000000-	) Washer, Flat, .38 Hard	2	
▽	5	383430	(000000-003350 ) Cylinder, Hyd, 2.0B 15.8S 2500	1	
▲		373367	(000000-003350 ) Kit, Seal, Cylinder	1	
	5	9006214	(003351-003539 ) Cylinder Kit, Hyd, Replmt [6200]	1	
	5	1040908	(003540-	) Cylinder, Hyd, 2.0b 21.1l 15.75strk 2500	1
	6	55586	(000000-	) Fitting, Hyd, Str	3
	7	71748	(000000-	) Hose, Hyd	1
	8	57965	(000000-	) Hose, Hyd	1
	9	77097	(000000-	) Fitting, Hyd, Elbow	1
	10	363616	(000000-	) Bushing, Sleeve	2
	11	06279	(000000-	) Pin, Clevis, 0.50d X 2.50l	1
	12	08182	(000000-	) Pin, Cotter	1
	13	16455	(000000-	) Fitting, Hyd, Rst Jm04/.047	1
	14	06946	(002443-	) Screw, Hex, M06 X 1.0 X 35, 8.8	4
	15	1014491	(002443-	) Washer, Flat, 0.28b 1.38d .12, Hrs Pl	8
	16	62172	(002443-	) Isolator, Vib, Ring, 1.4d 0.7l 0.8b	4
	17	393421	(002443-	) Plate, Mtg, Hyd Pump	1
	18	64905	(002443-	) Tube, 00.38d 00.26b 00.6l Stl Plt	4
	19	62173	(002443-	) Isolator, Vib, Bshg, 1.4d 0.7l .4b 0.68h	4
	20	08708	(002443-	) Nut, Hex, Lock, M06 X 1.0, NI	4
	21	374693	(002443-	) Insulation, Acstc, Front	1
	22	374694	(002443-	) Insulation, Acstc, Side	1

Fig. 27 - Battery Cable Group

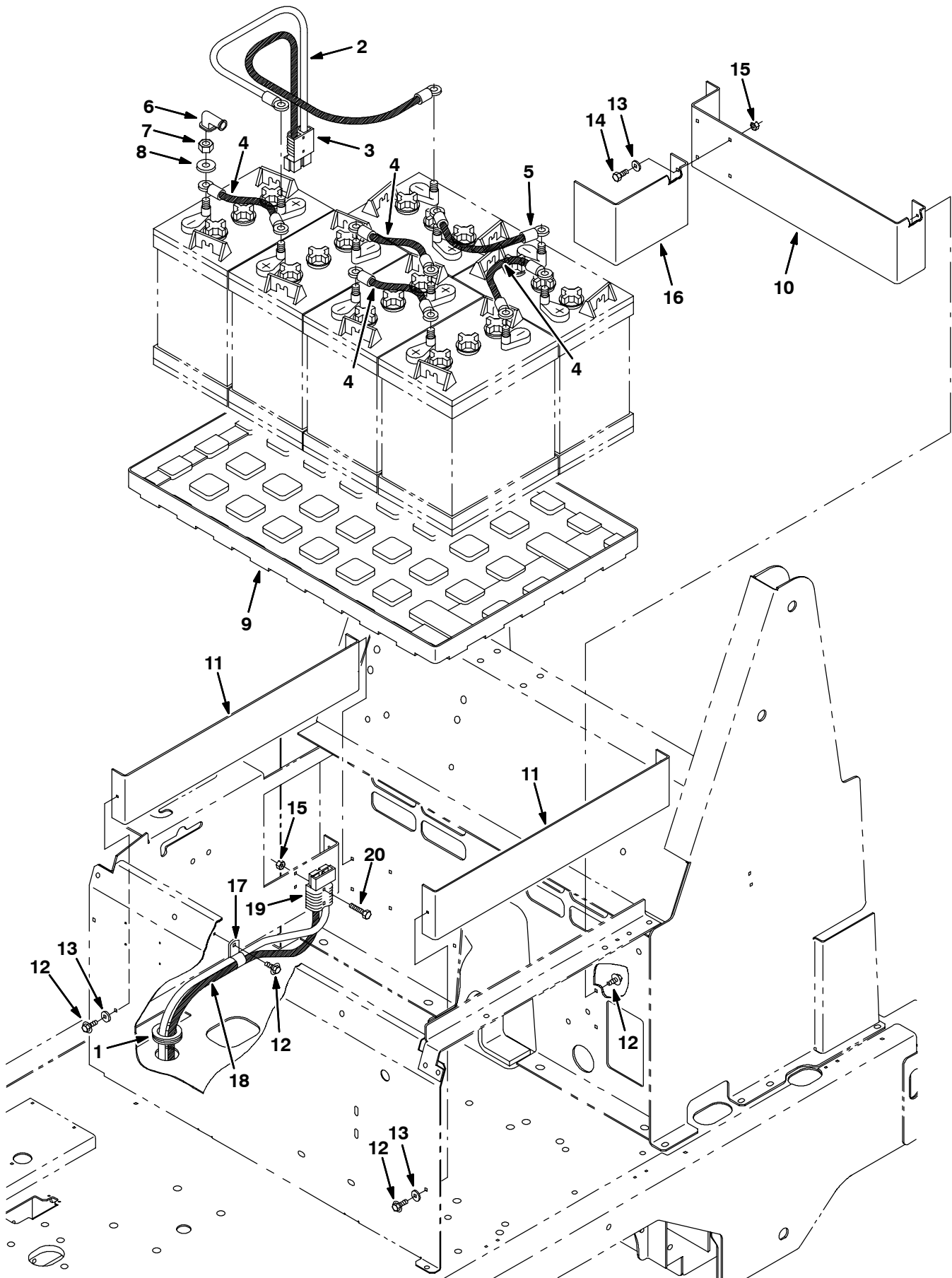


Fig. 27 - Battery Cable Group

	Ref.	Part No.	Serial Number	Description	Qty.
	1	04051	(000000-	) Grommet, Rubber	1
▽	2	223361	(000000-	) Harness, Wire	1
▲	3	22892	(000000-	) Connector, Gray	1
	4	223355	(000000-	) Wire	4
	5	223356	(000000-	) Wire	1
	6	02076	(000000-	) Boot	12
	7	87435	(000000-	) Nut, Hex, Flexlock, .31-18	12
	8	01685	(000000-	) Washer, Flat, .31 Ss	12
	9	369409	(000000-	) Tray, Battery	1
	10	383558	(000000-	) Brace, Battery, Rear	1
	11	383768	(000000-	) Brace, Battery	2
	12	361339	(000000-	) Screw, Hex 6X 1.0 16 Pltd	11
	13	32483	(000000-	) Washer, Flat, .25 Sae	4
	14	06942	(000000-	) Screw, Hex, M06-1.0 X 16, 8.8	2
	15	08708	(000000-	) Nut, Hex, Lock, M06-1.0, NI	4
	16	383944	(000000-	) Brace, Battery, Side	1
	17	40678-1	(000000-	) Clamp, Cable	1
▽	18	223362	(000000-	) Harness, Wire	1
▲	19	22892	(000000-	) Connector, Gray	1
	20	06946	(000000-	) Screw, Hex, M06-1.0 X 35, 8.8	2

Fig. 28 - Hydraulic Schematic

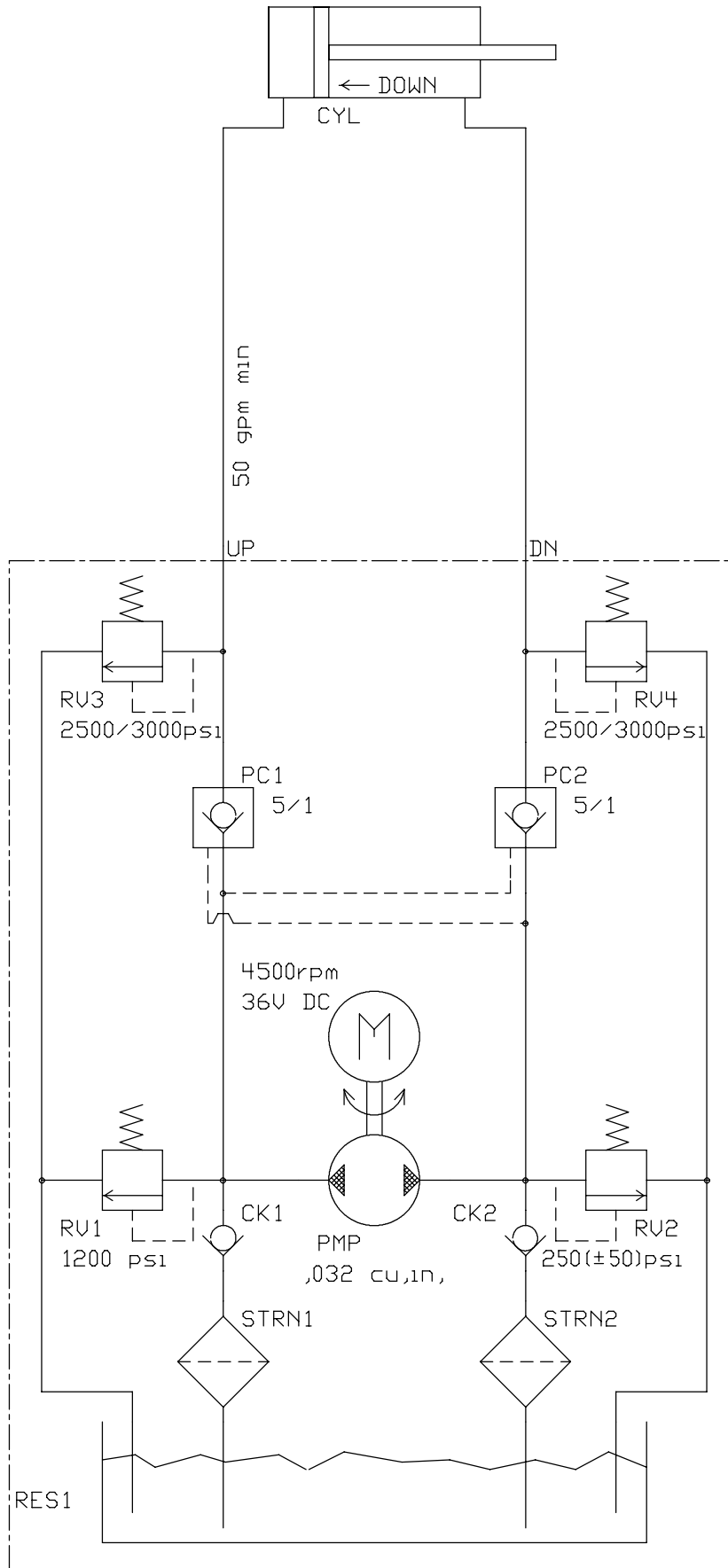
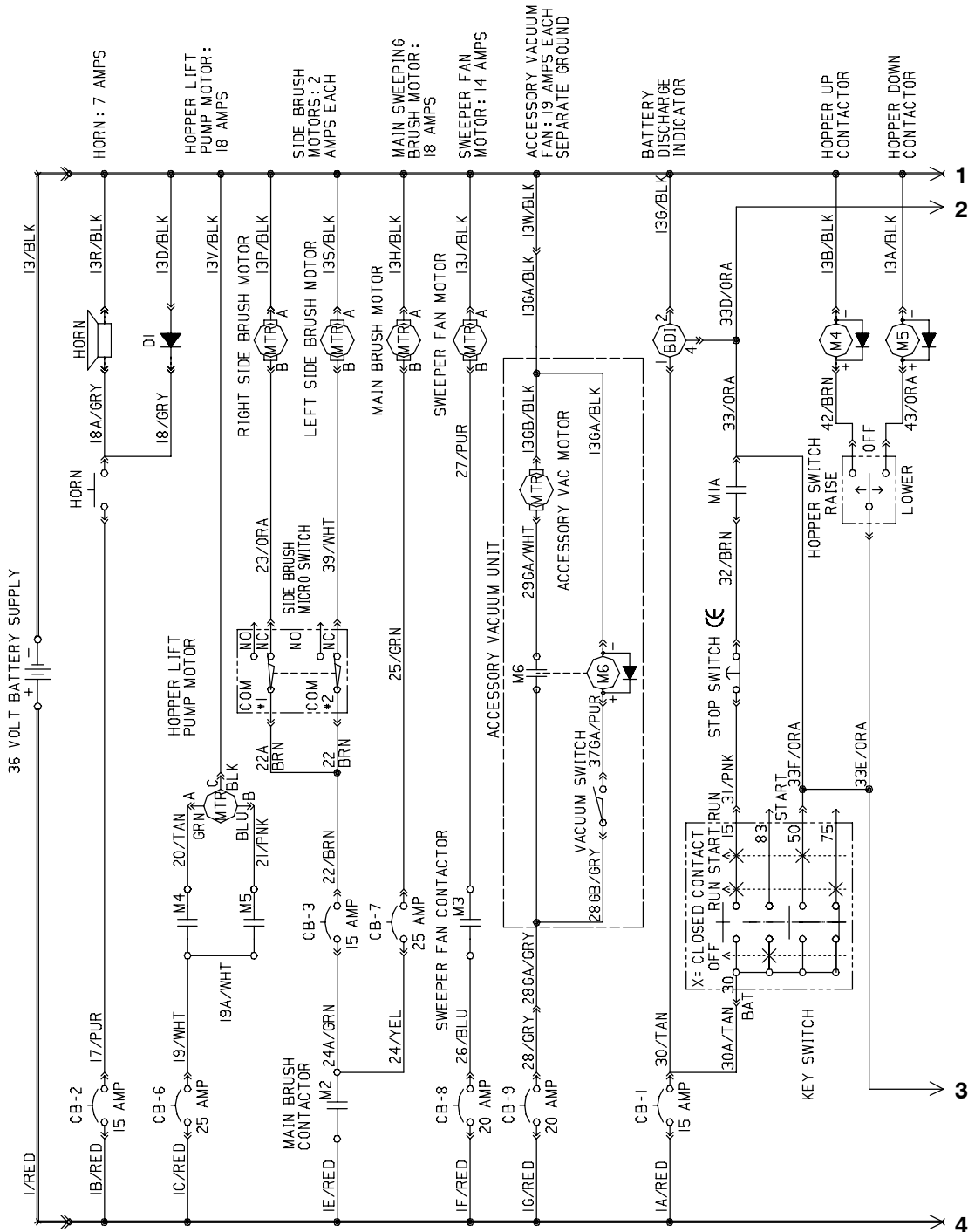




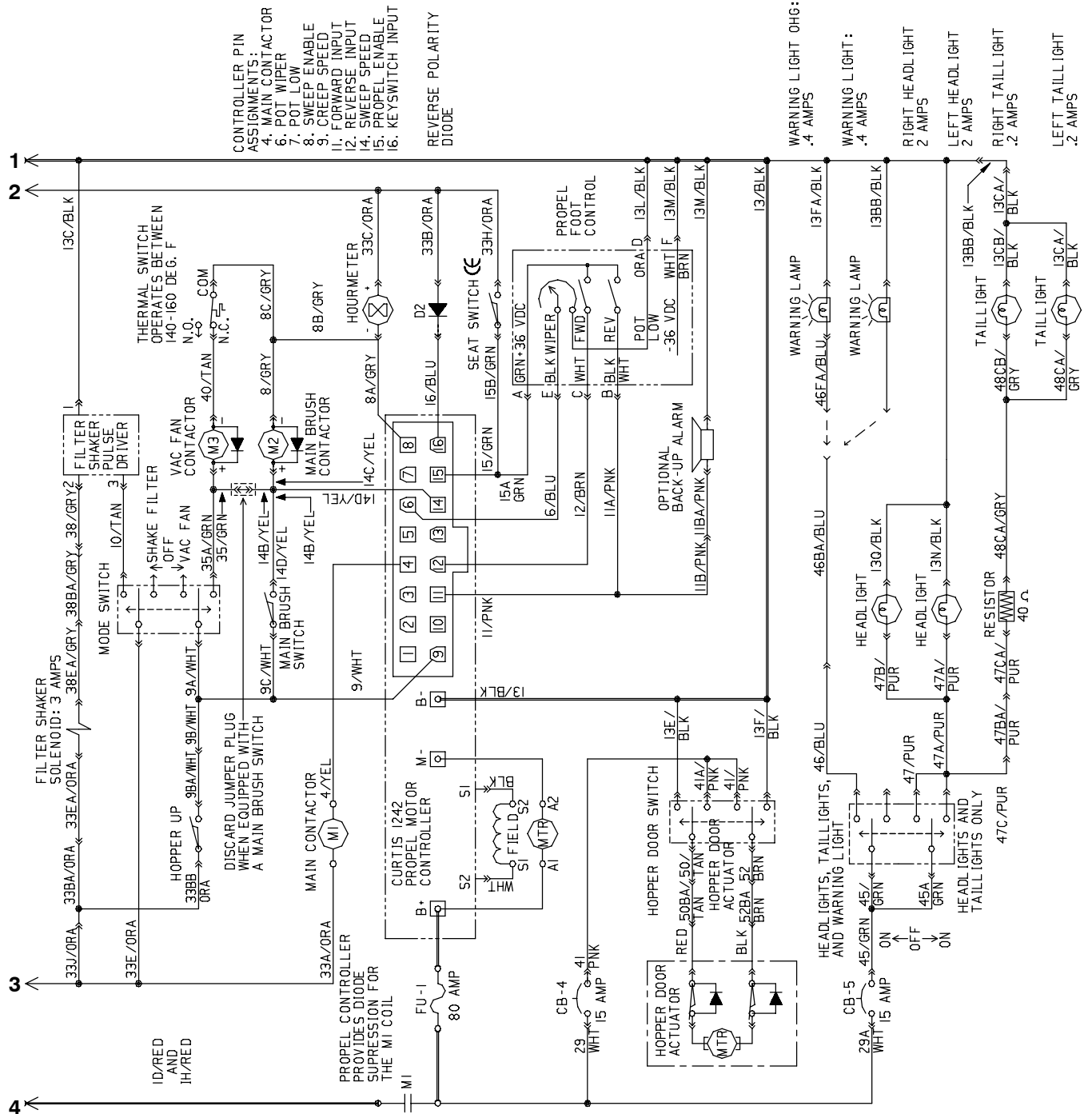
Fig. 29 - Electrical Schematic (000000-002089)



352868 - E

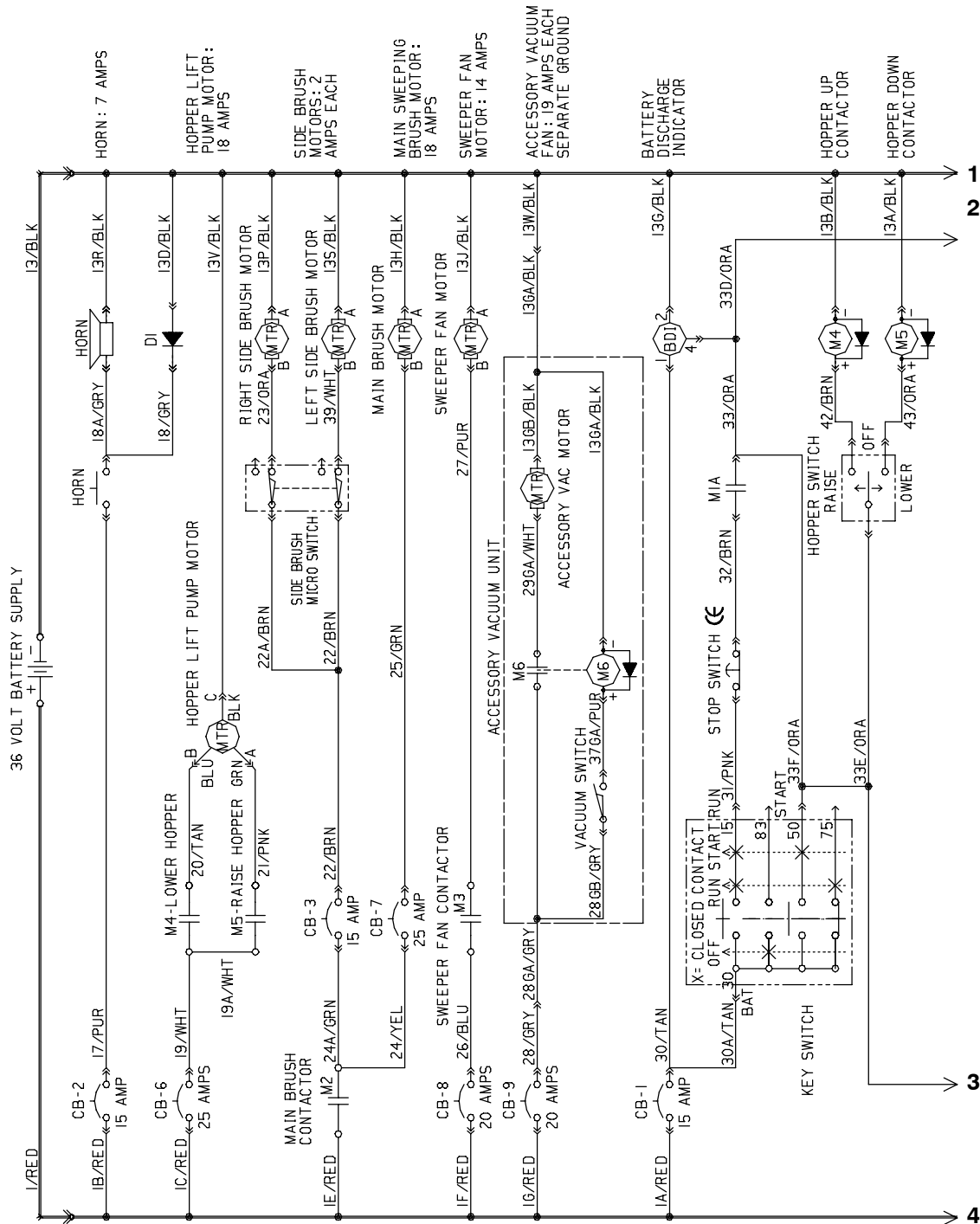


Fig. 29 - Electrical Schematic (000000-002089)



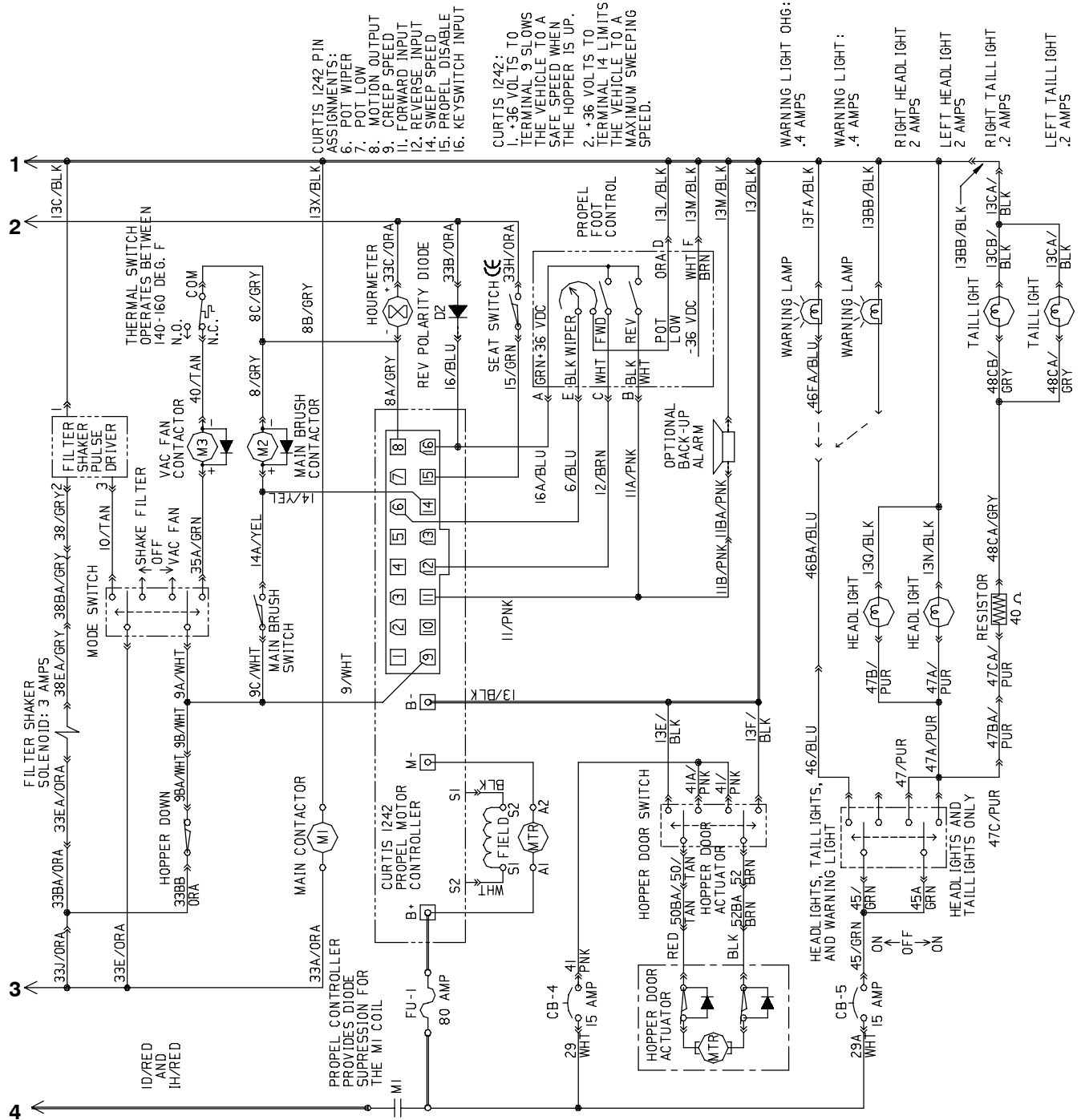
352868 - E

Fig. 30 - Electrical Schematic (002090-003467)



352868 - E

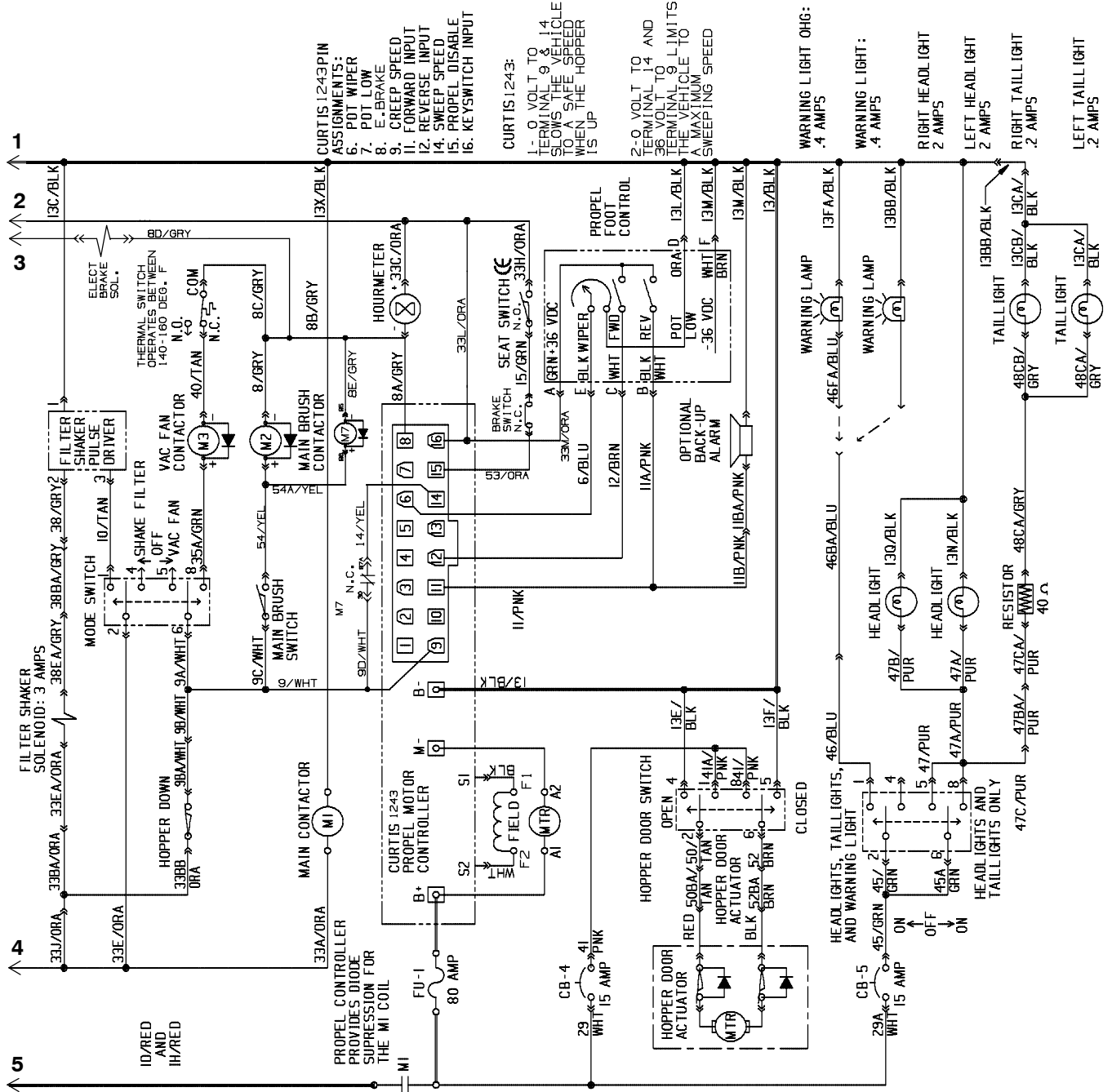
Fig. 30 - Electrical Schematic (002090-003467)



352868 - E



Fig. 31 - Electrical Schematic (003468- )



CURTIS 1243 PIN ASSIGNMENTS:  
 6. POT WIPER  
 7. E. BRAKE  
 8. CREEP SPEED  
 9. FORWARD INPUT  
 11. REVERSE INPUT  
 14. SWEEP SPEED  
 15. PROPEL DISABLE  
 16. KEYSWITCH INPUT

CURTIS 1243:  
 1. 0 VOLT TO TERMINAL 9 & 14 TO SHOWS SAFETY WHEN THE HOPPER IS UP  
 2. 0 VOLT TO TERMINAL 14 AND 36 VOLT TO TERMINAL 9 LIMITS THE VEHICLE TO A MAXIMUM SWEEPING SPEED

WARNING LIGHT OHG: .4 AMPs  
 WARNING LIGHT: .4 AMPs  
 RIGHT HEADLIGHT: 2 AMPs  
 LEFT HEADLIGHT: 2 AMPs  
 RIGHT TAILLIGHT: 2 AMPs  
 LEFT TAILLIGHT: 2 AMPs

354797, 1043846 - E

Fig. 32 - Electrical Wire Harness Group

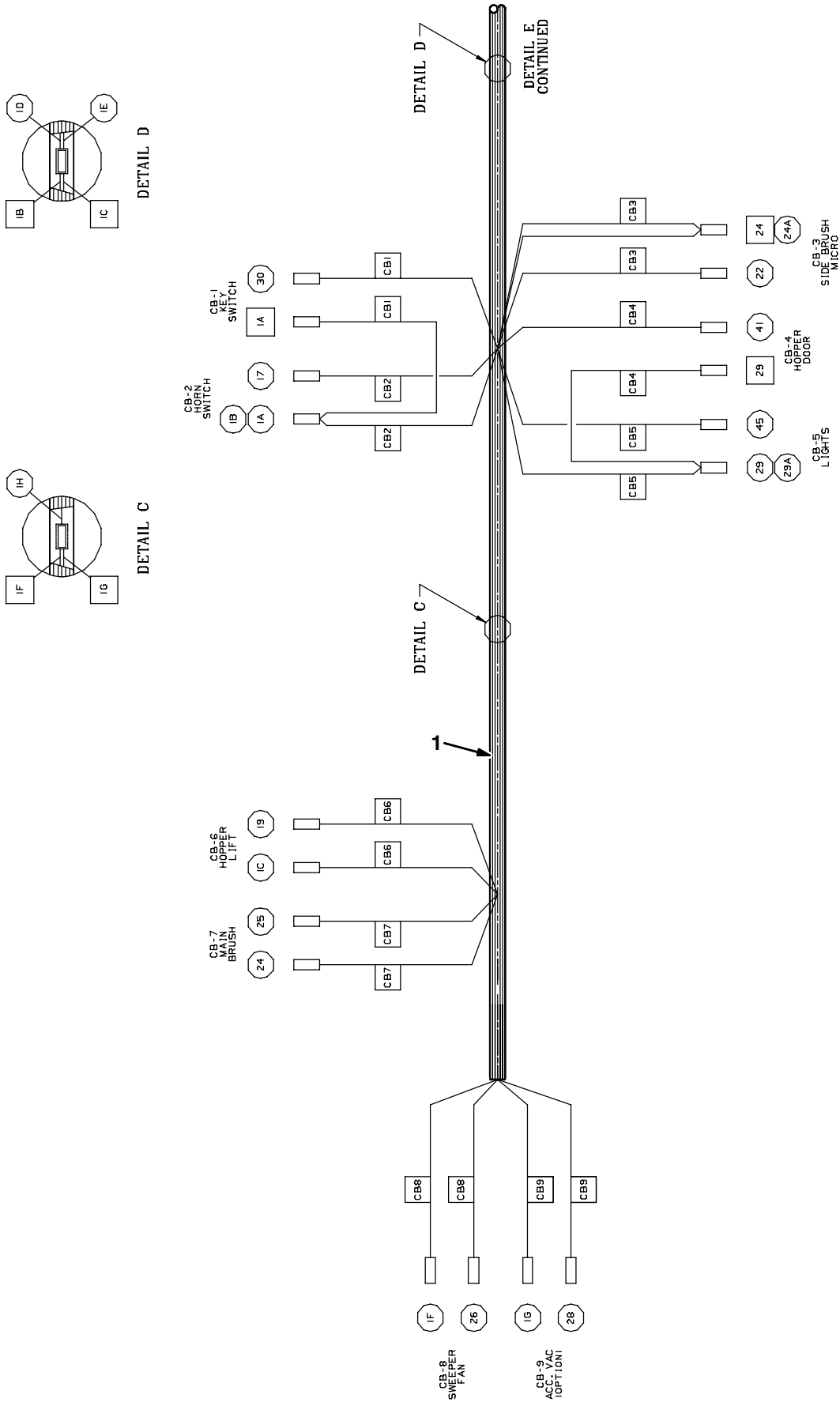


Fig. 32 - Electrical Wire Harness Group

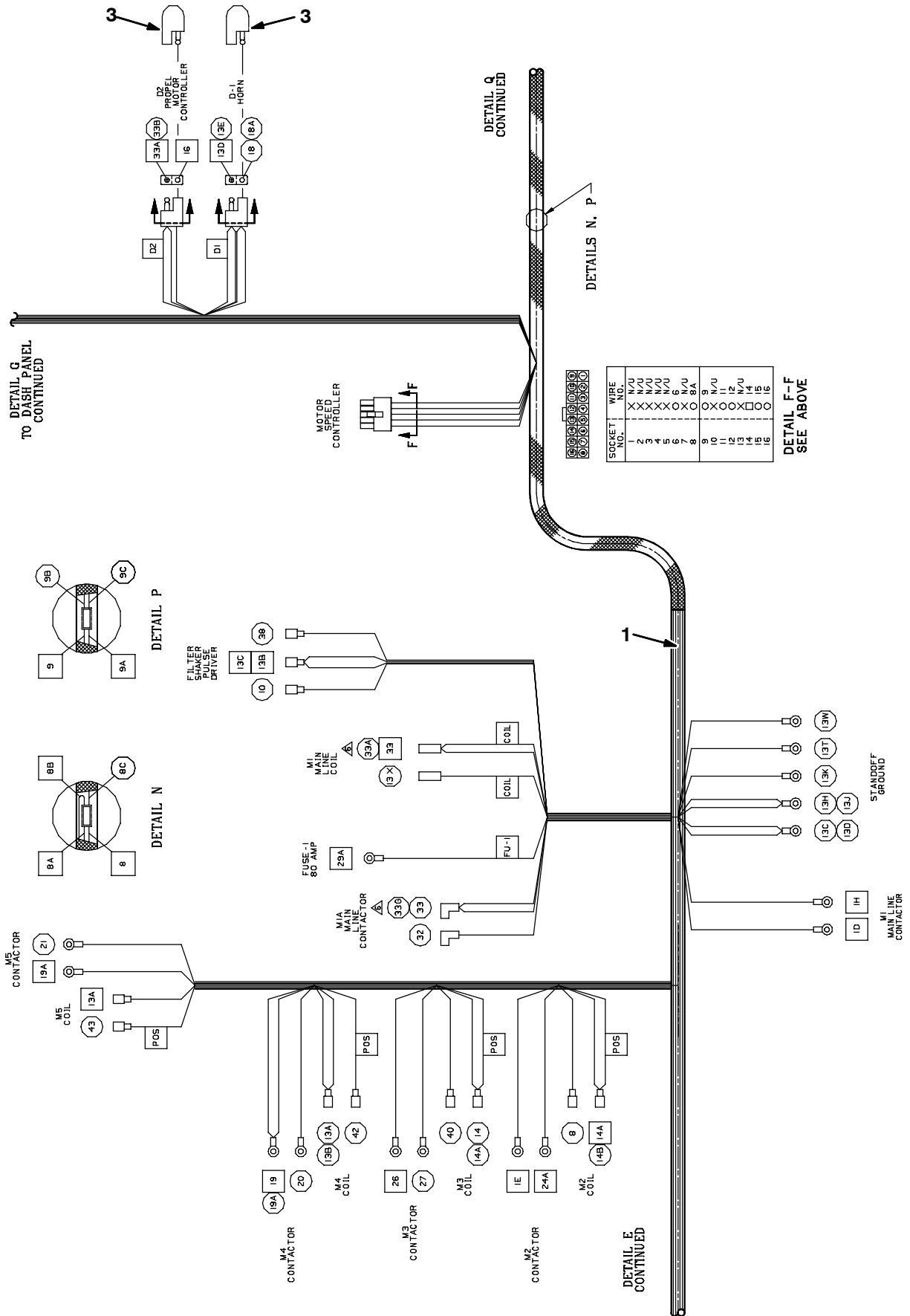


Fig. 32 - Electrical Wire Harness Group

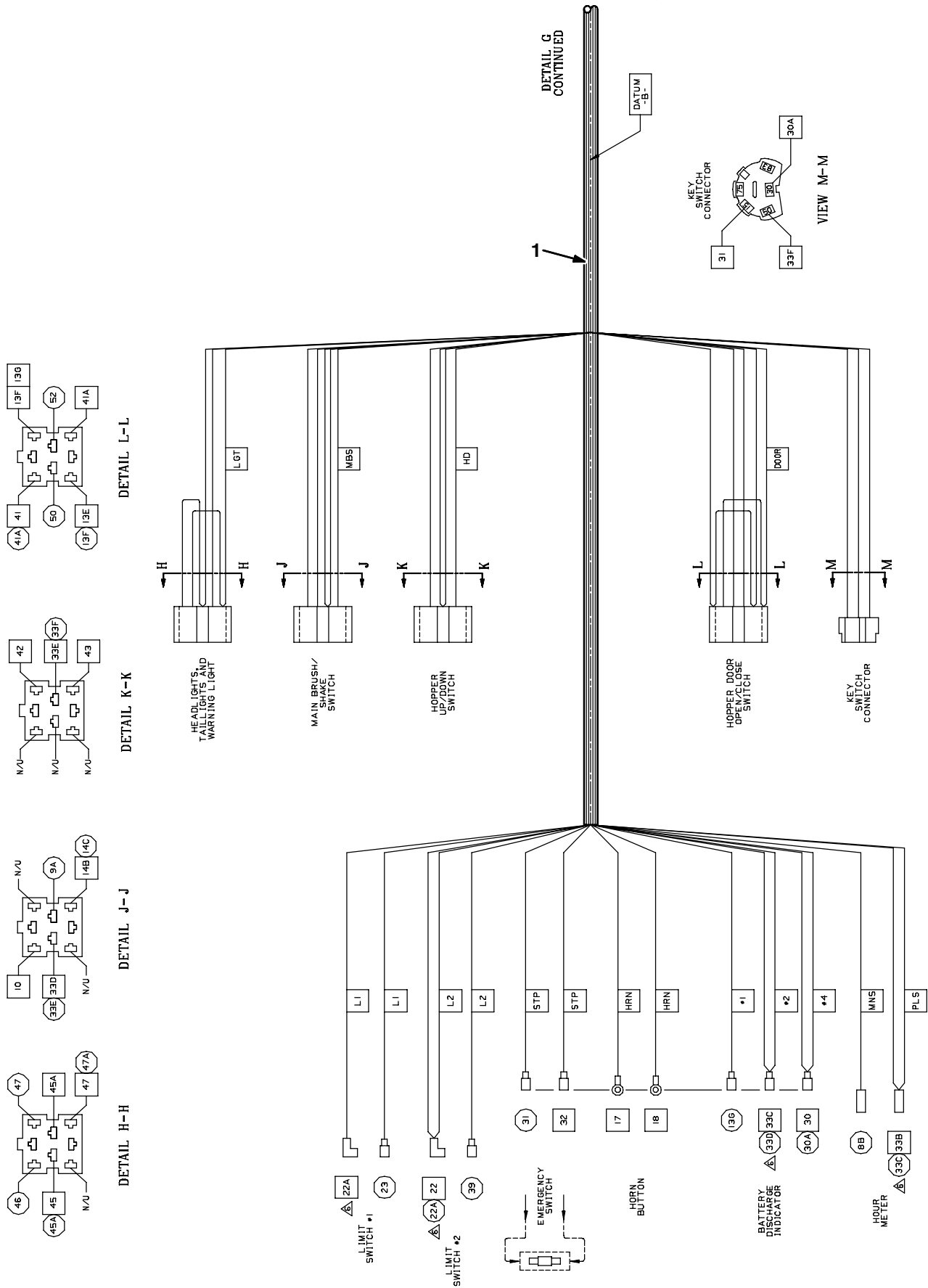




Fig. 32 - Electrical Wire Harness Group

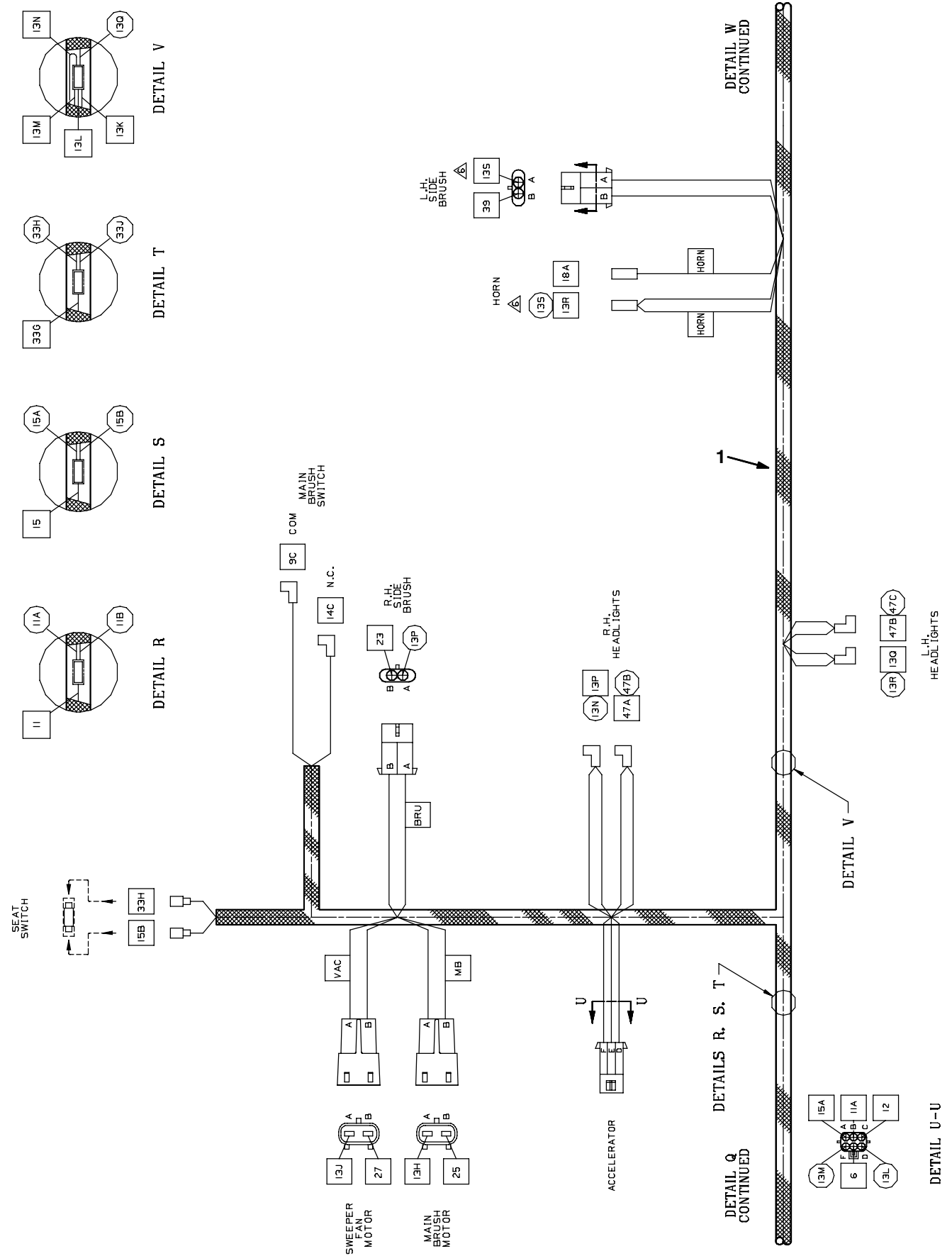


Fig. 32 - Electrical Wire Harness Group

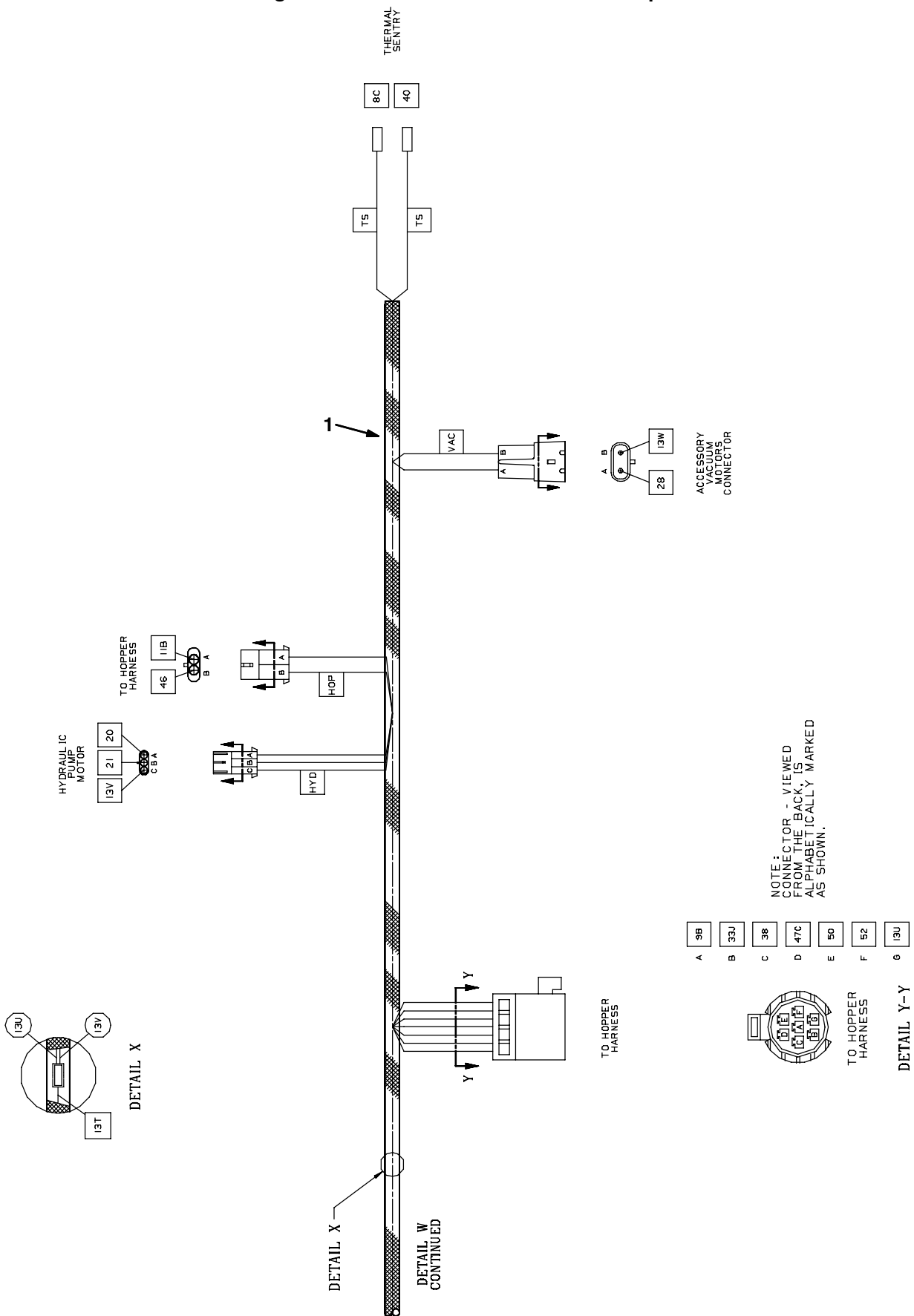
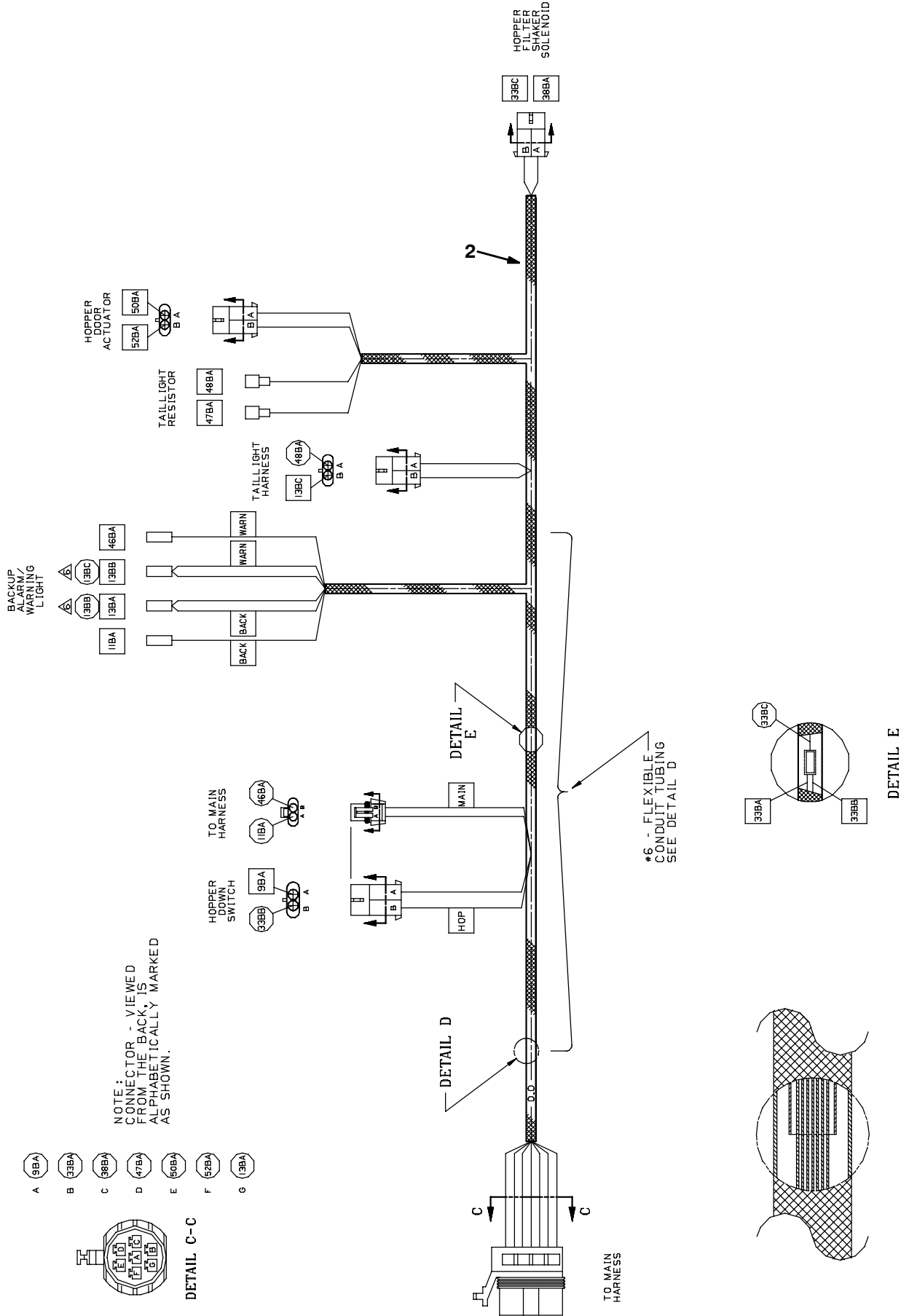


Fig. 32 - Electrical Wire Harnesses Group



- A 5BA
- B 33BA
- C 38BA
- D 47BA
- E 50BA
- F 52BA
- G 39BA

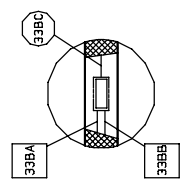
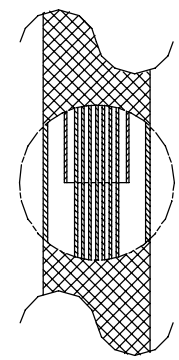
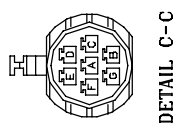


Fig. 32 - Electrical Wire Harness Group

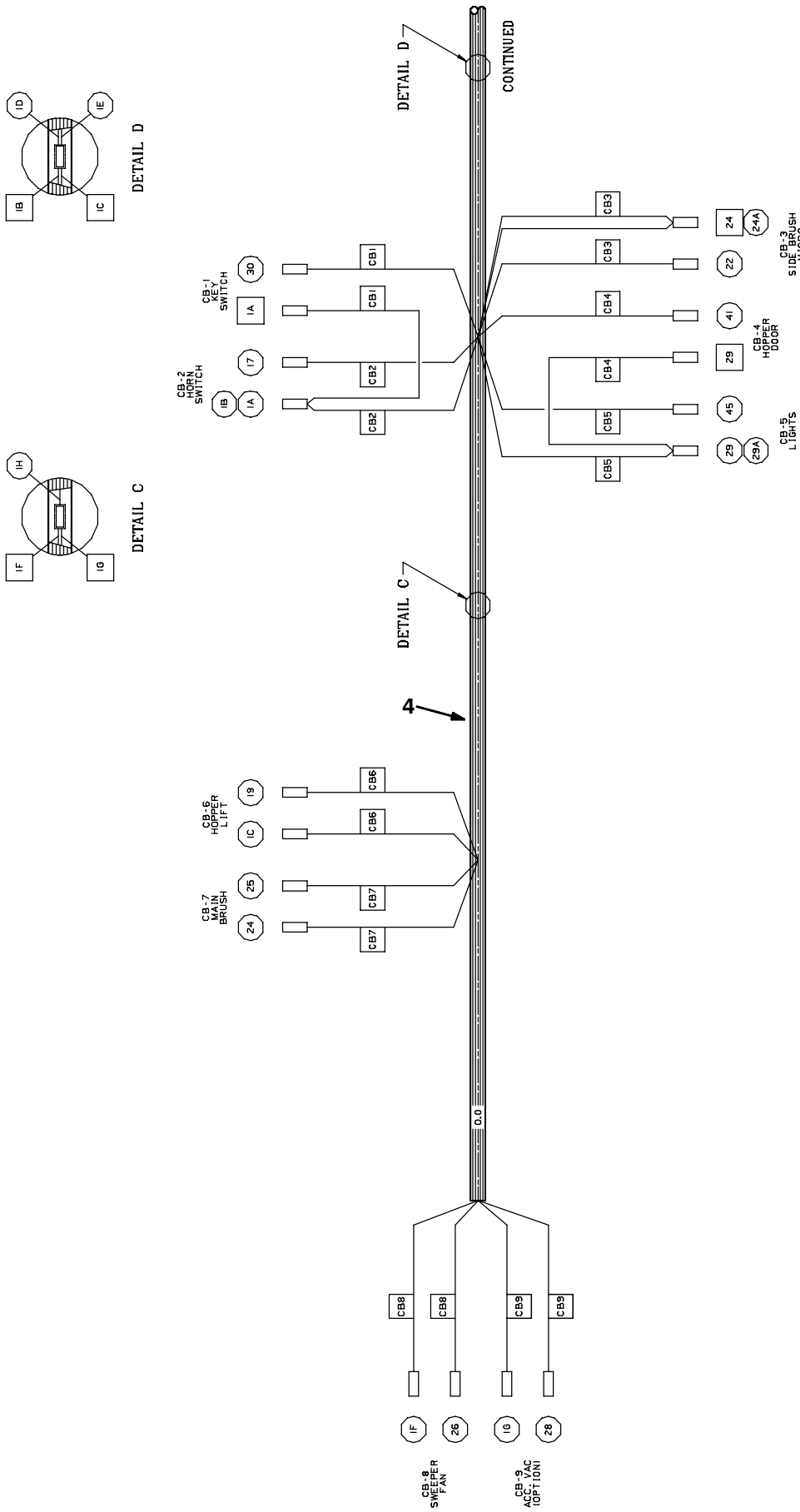




Fig. 32 - Electrical Wire Harnesses Group

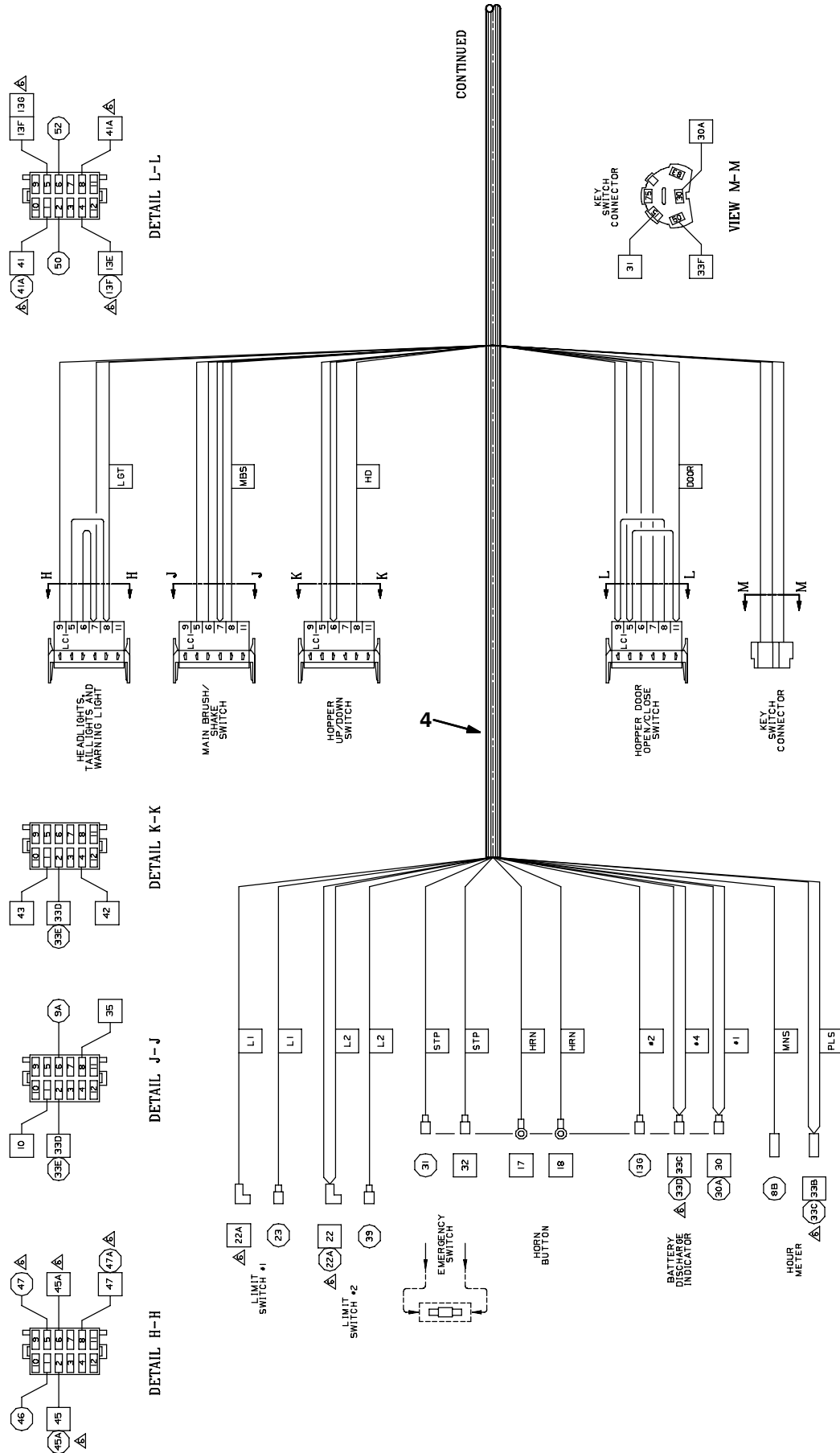


Fig. 32 - Electrical Wire Harness Group

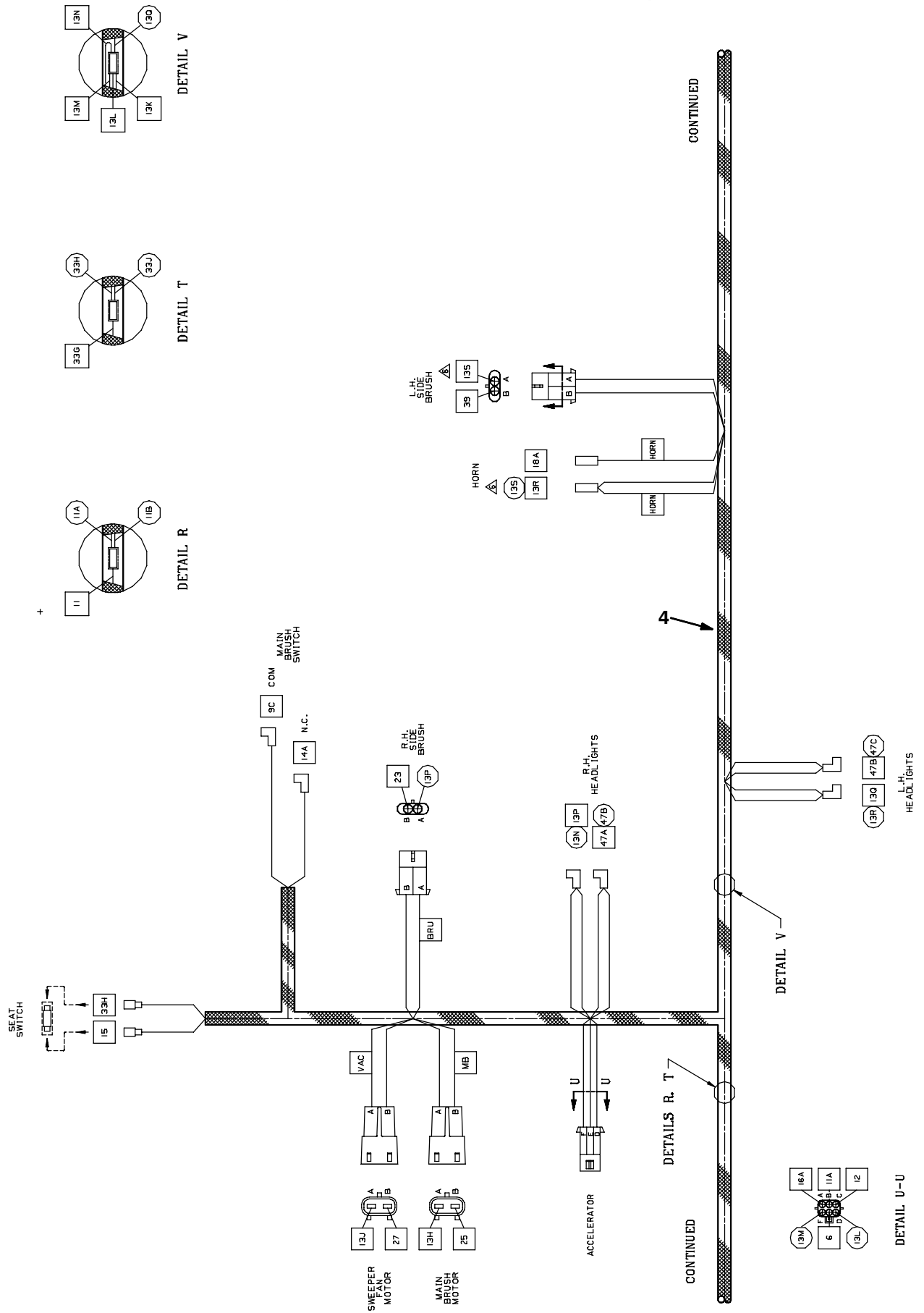


Fig. 32 - Electrical Wire Harness Group

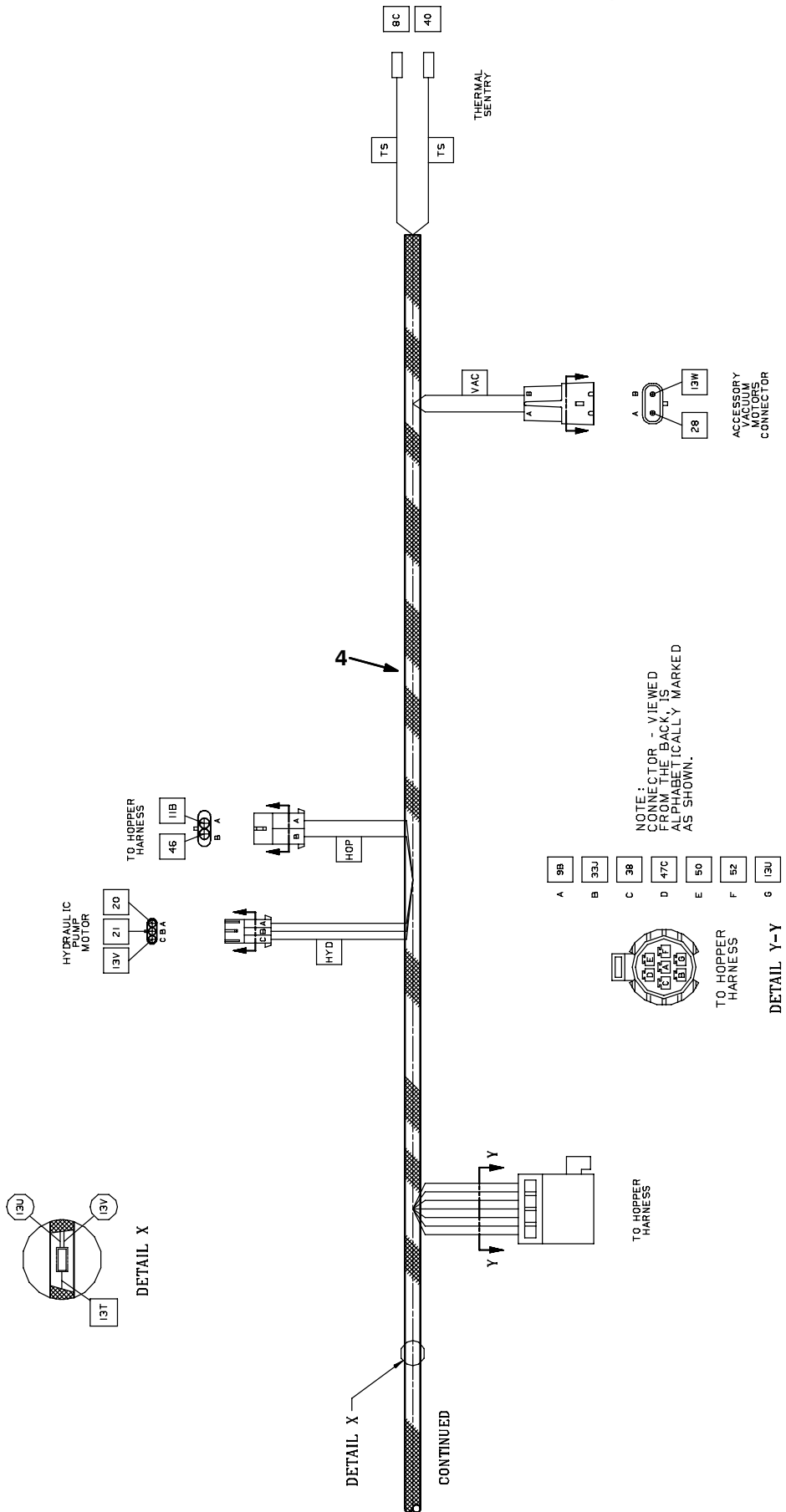




Fig. 32 - Electrical Wire Harness Group

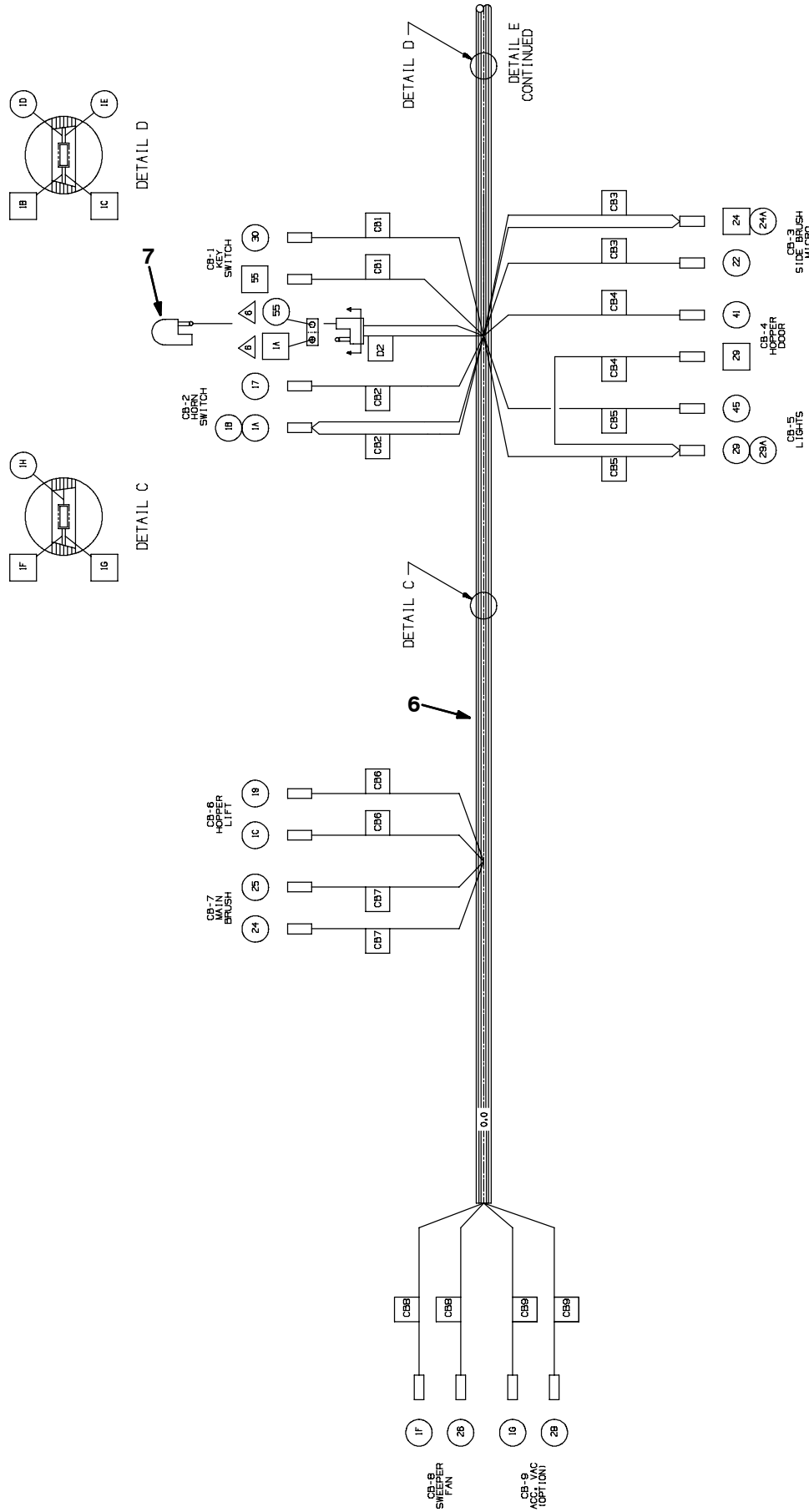


Fig. 32 - Electrical Wire Harness Group

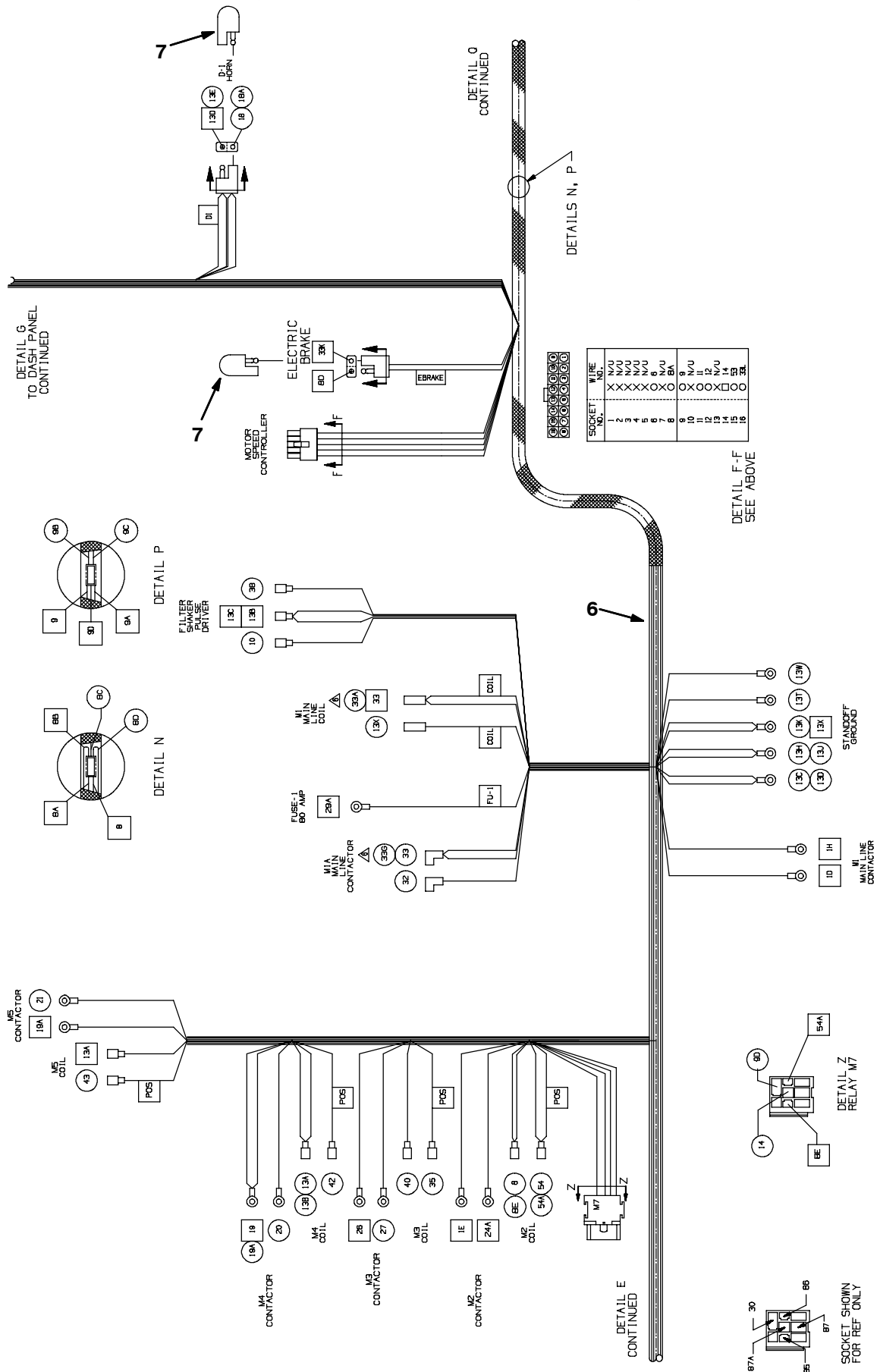




Fig. 32 - Electrical Wire Harness Group

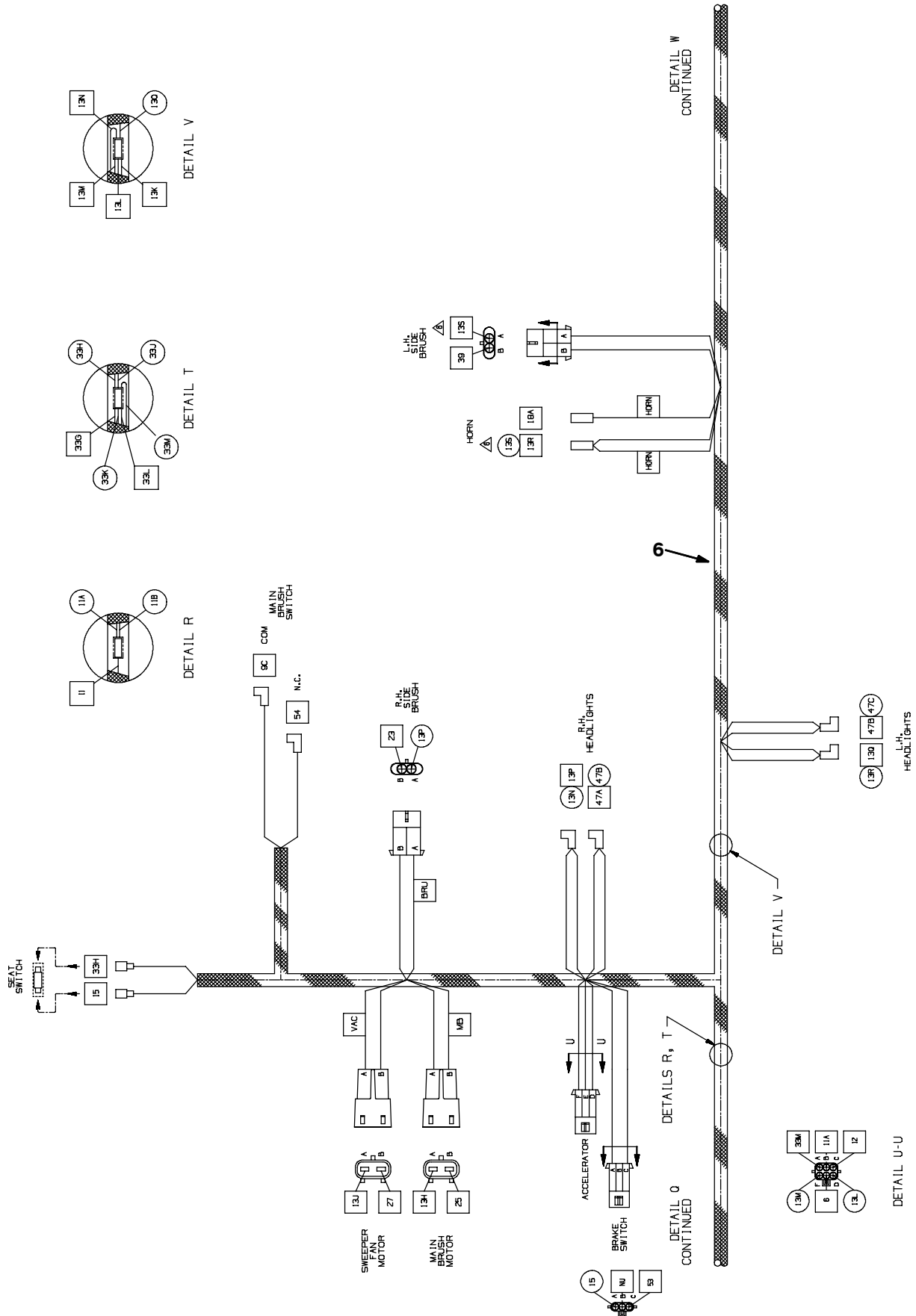
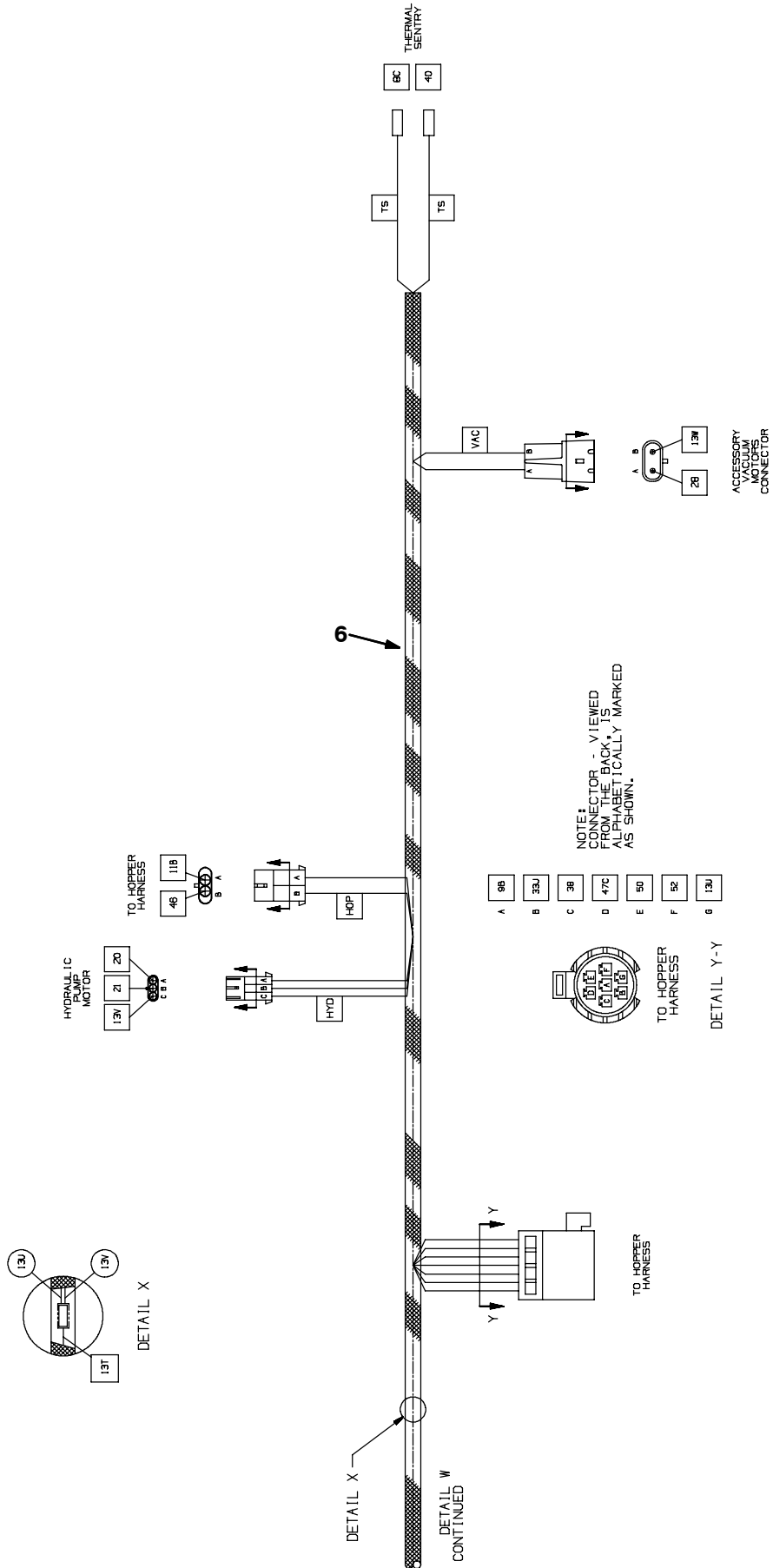


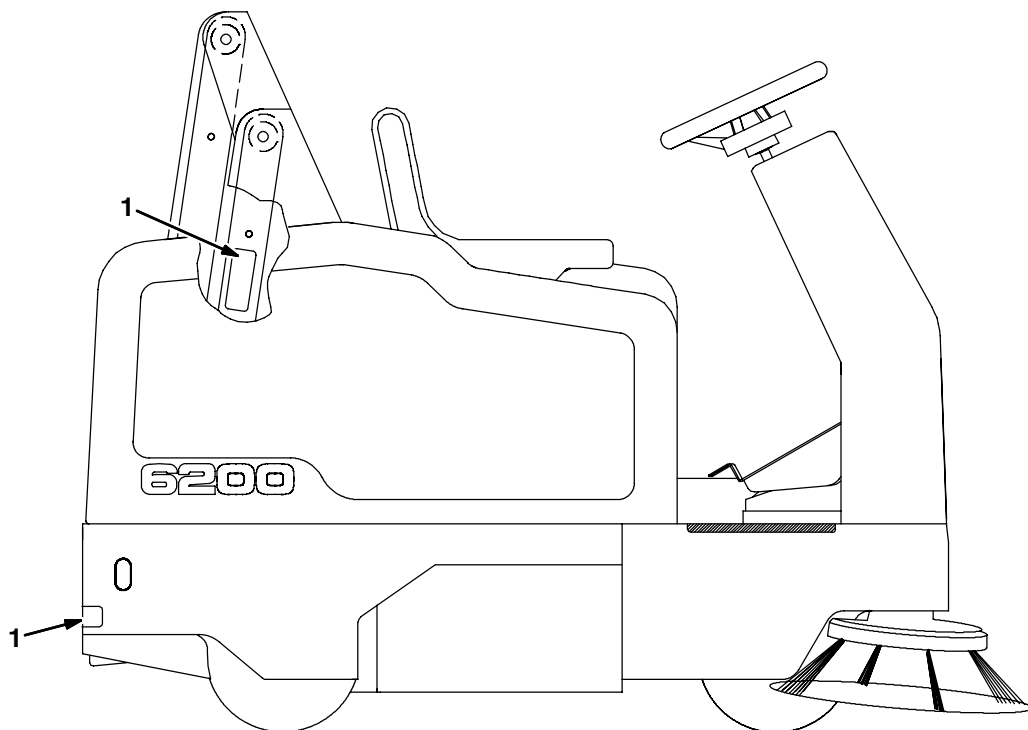
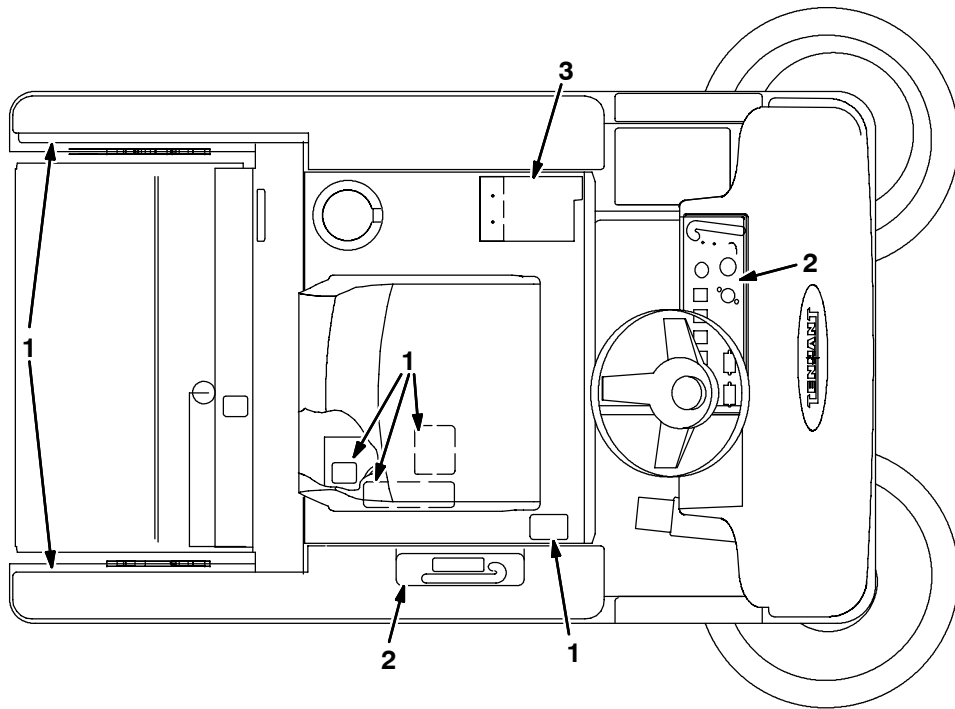
Fig. 32 - Electrical Wire Harness Group



**Fig. 32 - Electrical Wire Harnesses Group**

<b>Ref.</b>	<b>Part No.</b>	<b>Serial Number</b>	<b>Description</b>	<b>Qty.</b>
1	383809	(000000-002089 )	Kit, Harness, Repl F/383494	1
1	383810	(002090-002626 )	Harness, Main, Ele, 6200	1
2	383496	(000000- )	Harness, Hopper, Ele, 6200	1
3	222290	(000000-002626 )	Diode, Electric Plug	2
4	384320	(002627-003467 )	Harness, Main, Ele, 6200	1
5	222290	(002627-003467 )	Diode, Electric Plug	2
6	1040552	(003468- )	Harness, Main, [6200 Ele]	1
7	222290	(003468- )	Diode, Electric Plug	3

Fig. 33 - Label Group



352926 - E, NA

Ref.	Part No.	Serial Number	Description	Qty.
1	383966	(000000- )	Label Set, Info/Hzrd, 6200	1
2	384198	(000000-002626 )	Label Set, Opertnl, Ele, 6200	1
2	384325	(002627- )	Label Set, Opertnl, Ele, 6200	1
3	383998	(000000- )	Instr, Use And Care, 6200	1

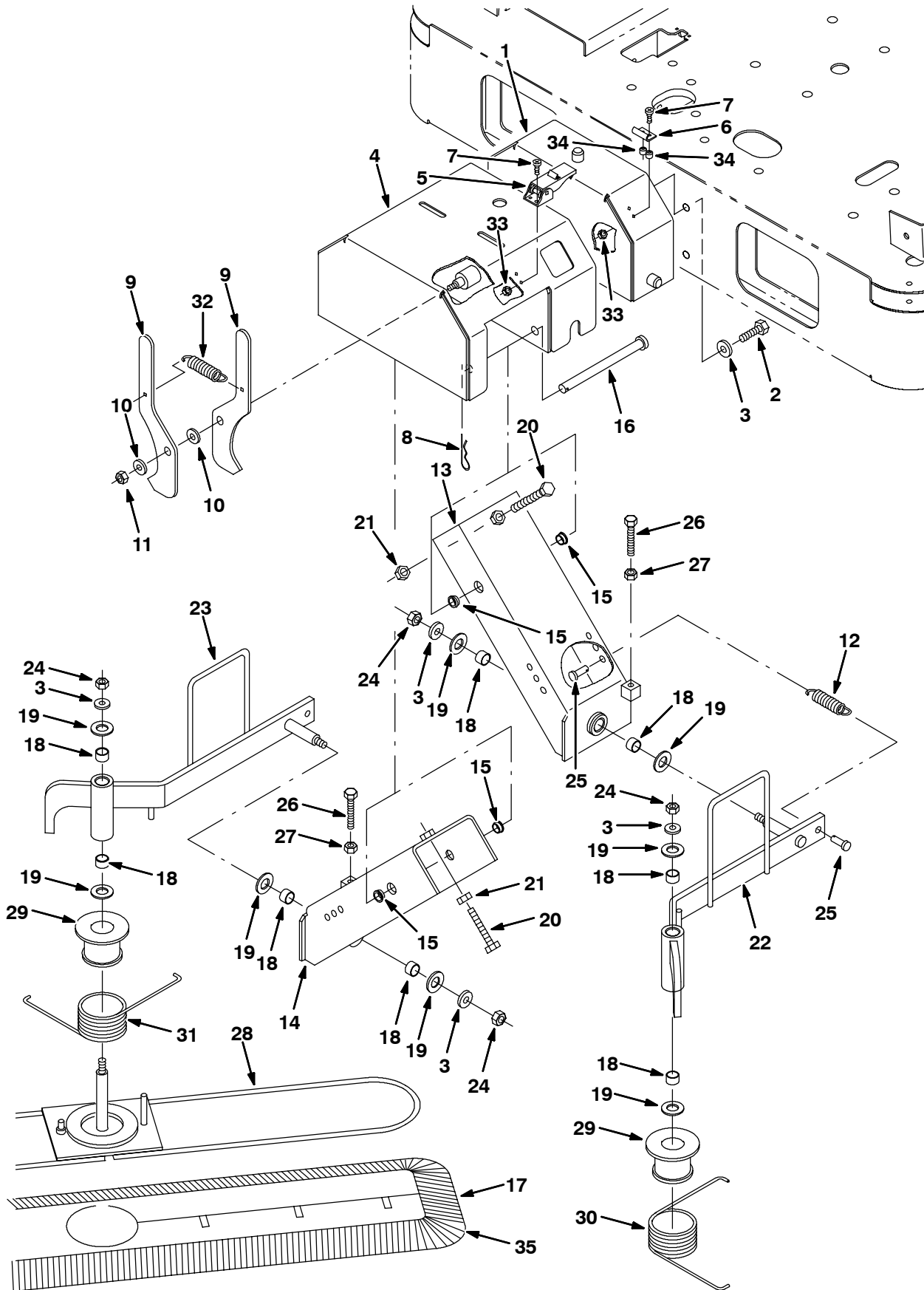




# SECTION 3

Contents	Page
Fig. 1 - Quick Mop Kit .....	3-2
Fig. 2 - Vacuum Wand Group .....	3-4
Fig. 3 - Vacuum Wand Box Group .....	3-6
Fig. 4 - Vacuum Wand Fan Group .....	3-8
Fig. 5 - Side Brush Lift Group, Left Hand .....	3-10
Fig. 6 - Side Brush Motor Group, Left Hand ..	3-12
Fig. 7 - Rollout Battery Case Kit .....	3-14
Fig. 8 - Rollout Battery Pack Kit .....	3-16
Fig. 9 - Rollout Battery Cart Kit .....	3-18
Fig. 10 - Revolving Light Kit .....	3-20
Fig. 11 - Flashing Light Kit .....	3-22
Fig. 12 - Revolving Light Kit, Overhead Guard ..	3-24
Fig. 13 - Flashing Light Kit, Overhead Guard ..	3-26
Fig. 14 - Overhead Guard Kit .....	3-28
Fig. 15 - Light Kit .....	3-30
Fig. 16 - Backup Alarm Kit .....	3-32
Fig. 17 - Battery Kit, Wet, 220AH .....	3-34
Fig. 18 - Battery Kit, Wet, 235AH .....	3-36
Fig. 19 - Battery Kit, Wet, 335AH .....	3-38
Fig. 20 - Battery Charger Group .....	3-40
Fig. 21 - Battery Charger and Harness Group, International Only .....	3-41
Fig. 22 - Fire Extinguisher Kit .....	3-42
Fig. 23 - Seat Slide Kit .....	3-43
Fig. 24 - Suspension Seat Kit .....	3-44
Fig. 25 - Seat Belt Kit .....	3-45
Fig. 26 - Solid Non-Marking Tire Assembly, Front .....	3-46
Fig. 27 - Solid Non-Marking Tire Assembly, Rear .....	3-47
Fig. 28 - Power Kill Switch Kit .....	3-48
Fig. 29 - Documentation Group .....	3-49

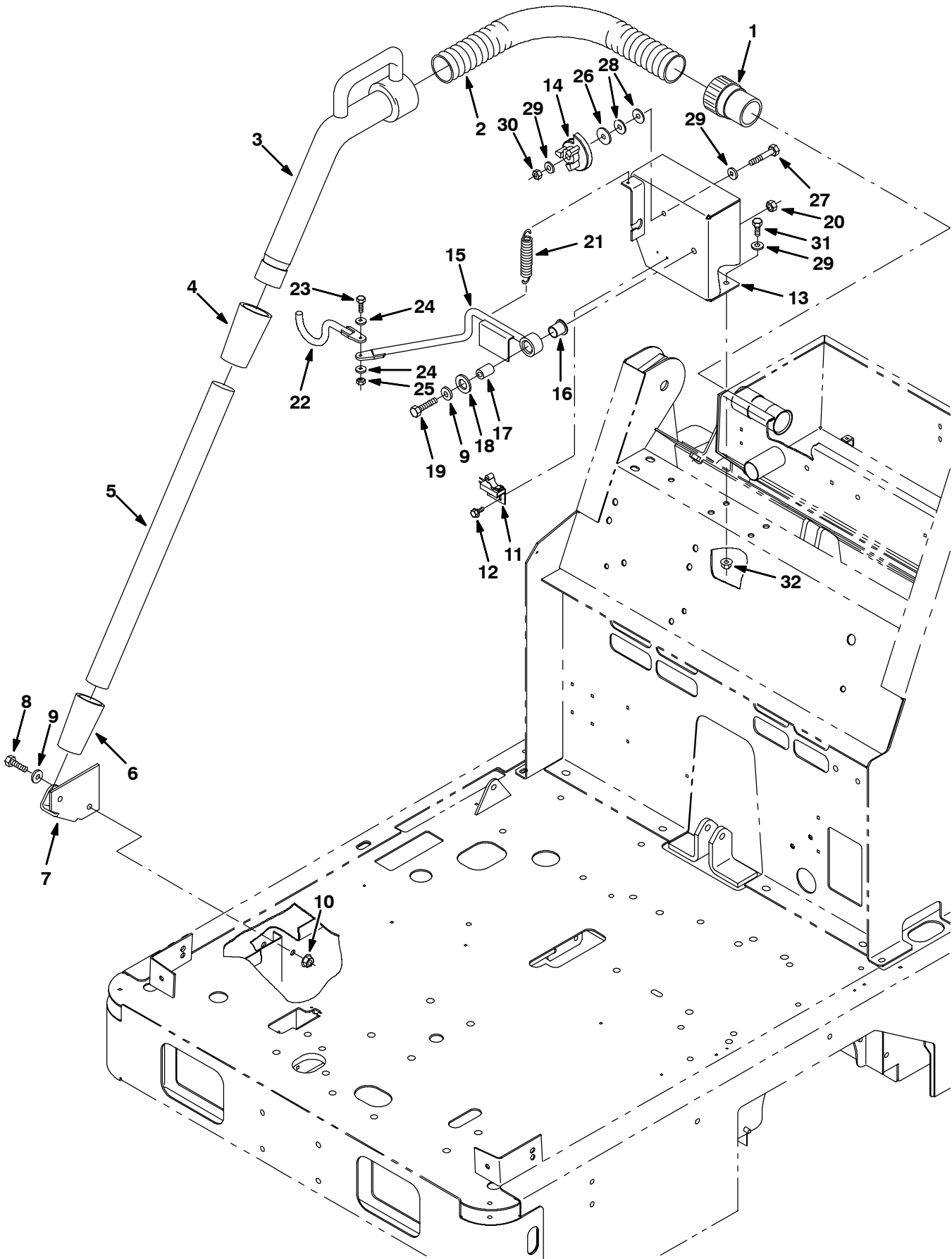
Fig. 1 - Quick Mop Kit



**Fig. 1 - Quick Mop Kit**

	<b>Ref.</b>	<b>Part No.</b>	<b>Serial Number</b>	<b>Description</b>	<b>Qty.</b>
▽		383997	(000000-	) Kit, Mop, V, 6200	1
▲	1	384246	(000000-	) Bumper Wldt, V-Mop	1
▲	2	39283	(000000-	) Screw, Hex, M10-1.5 X 25, 8.8	4
▲	3	32492	(000000-	) Washer, Flat, .38 Hard	8
▲	4	384247	(000000-	) Housing Wldt, V-Mop	1
▲	5	384418	(000000-	) Latch, Door	2
▲	6	384419	(000000-	) Bracket, Keeper	2
▲	7	49697	(000000-	) Screw, Pan, M04-0.7 X 10, Ss	8
▲	8	02942	(000000-	) Pin, Hair Cotter	2
▲	9	83338	(000000-	) Plate, Latch	2
▲	10	86860	(000000-	) Bearing, Thrust	2
▲	11	08709	(000000-	) Nut, Hex, Lock, M08-1.25,NI	1
▲	12	15047	(000000-	) Spring, Extension	2
▲	13	83313	(000000-	) Channel Wldt, Lift Lh	1
▲	14	83315	(000000-	) Channel Wldt, Lift Rh	1
▲	15	15648	(000000-	) Bearing, Flange	4
▲	16	51225-1	(000000-	) Pin, Clevis	2
▲	17	83347	(000000-	) Mop, V Dust	2
▲	18	07449	(000000-	) Bearing, Fiberglide	8
▲	19	64425	(000000-	) Washer	8
▲	20	76438	(000000-	) Screw, Hex, M10-1.5 X 90, FI	2
▲	21	39312	(000000-	) Nut, Hex, Std, M10-1.5	2
▲	22	83318	(000000-	) Arm Wldt, Lift, Mop, V	1
▲	23	83324	(000000-	) Arm Wldt, Lift, Rh	1
▲	24	41430	(000000-	) Nut, Hex, Lock, M10-1.5, NI	4
▲	25	39019	(000000-	) Pin, Clevis	4
▲	26	363976	(000000-	) Scr-Hex M 8X1.25 60 Full Th	2
▲	27	39311	(000000-	) Nut, Hex, Std, M08-1.25	2
▲	28	83325	(000000-	) Frame Wldt, V-Mop	2
▲	29	83332	(000000-	) Spacer, Spring	2
▲	30	80317	(000000-	) Spring, Torsion	1
▲	31	80318	(000000-	) Spring, Torsion	1
▲	32	87816	(000000-	) Spring, Extension	1
▲	33	02850	(000000-	) Nut, Hex, Lock, M04-0.7	8
▲	34	65441	(000000-	) Spacer	4
	35	83348	(000000-	) Mop, V Dust	2

Fig. 2 - Vacuum Wand Group

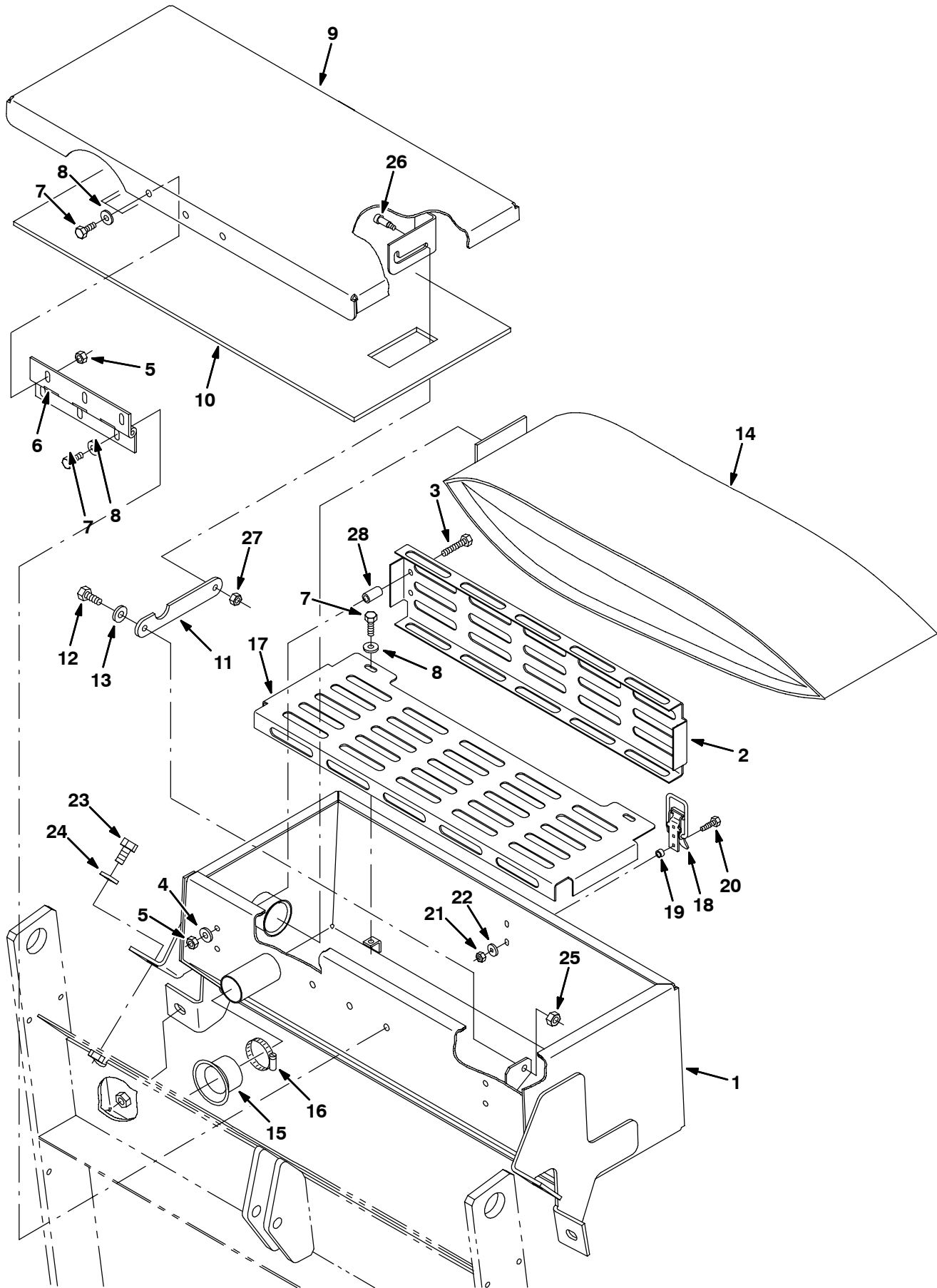


**Fig. 2 - Vacuum Wand Group**

NOTE: Vacuum Wand Kit, Part Number 383887, includes Fig. 2, Fig. 3, and Fig. 4.

Ref.	Part No.	Serial Number	Description	Qty.
1	83285	(000000-	) Cuff, Hose	1
2	83289	(000000-	) Hose, Flex	1
3	83286	(000000-	) Nozzle, Vac Wand	1
4	83287	(000000-	) Coupling, Vac Wand	1
5	83288	(000000-	) Tube, Vac Wand	1
6	80299	(000000-	) Coupling, Vac-Wand	1
7	83296	(000000-	) Bracket, Wand	1
8	39283	(000000-	) Screw, Hex, M10-1.5 X 25, 8.8	2
9	32492	(000000-	) Washer, Flat, .38 Hard	3
10	07792	(000000-	) Nut, Hex, Flange, M10-1.5	2
11	367403	(000000-	) Switch Assy, Roller, No	1
12	223198	(000000-	) Screw, Hex	2
13	383893	(000000-	) Bracket Wldt, Mtg, Switch	1
14	222244	(000000-	) Cam, Squeegee	1
15	383879	(000000-	) Rod Wldt, Handle	1
16	72763	(000000-	) Bearing, Flange	1
17	73370	(000000-	) Sleeve	1
18	04846	(000000-	) Washer, Thrust	1
19	06962	(000000-	) Screw, Hex, M10-1.5 X 45, 8.8	1
20	41430	(000000-	) Nut, Hex, Lock, M10-1.5, NI	1
21	25737	(000000-	) Spring, Tension	1
22	83309	(000000-	) Rod Wldt, Vac Wand	1
23	06943	(000000-	) Screw, Hex, M06-1.0 X 20, 8.8	1
24	32490	(000000-	) Washer, Flat, .25 Hard	2
25	08708	(000000-	) Nut, Hex, Lock, M06-1.0, NI	1
26	222268	(000000-	) Washer, Neoprene	1
27	39278	(000000-	) Screw, Hex, M08-1.25 X 50, 8.8	1
28	64153	(000000-	) Washer	2
29	32491	(000000-	) Washer, Flat, .31 Hard	5
30	08709	(000000-	) Nut, Hex, Lock, M08-1.25,NI	1
31	16931	(000000-	) Screw, Hex, M08-1.25 X 20, 8.8	3
32	07791	(000000-	) Nut, Hex, Flange, M08-1.25	3

Fig. 3 - Vacuum Wand Box Group



**Fig. 3 - Vacuum Wand Box Group**

NOTE: Vacuum Wand Kit, Part Number 383887, includes Fig. 2, Fig. 3, and Fig. 4.

Ref.	Part No.	Serial Number	Description	Qty.
1	383865	(000000-	) Box Wldt, Wand, Vacuum	1
2	383870	(000000-	) Channel, Screen, Horiz	1
3	06947	(000000-	) Screw, Hex, M06-1.0 X 40, 8.8	4
4	32490	(000000-	) Washer, Flat, .25 Hard	4
5	08708	(000000-	) Nut, Hex, Lock, M06-1.0, NI	7
6	86430	(000000-	) Hinge	1
7	06942	(000000-	) Screw, Hex, M06-1.0 X 16, 8.8	8
8	32483	(000000-	) Washer, Flat, .25 Sae	8
9	383881	(000000-	) Cover Wldt, Wand, Vacuum	1
10	383877	(000000-	) Gasket, Cover	1
11	384211	(000000-	) Bar, Safety, Cover	1
12	16931	(000000-	) Screw, Hex, M08-1.25 X 20, 8.8	1
13	32491	(000000-	) Washer, Flat, .31 Hard	1
14	83269	(000000-	) Bag, Vac Wand (10 Bags)	1
15	383896	(000000-	) Seal, Inlet, Wand, Vacuum	1
16	11531	(000000-	) Clamp, Wormdrive	1
17	384027	(000000-	) Bracket, Screen, Horiz	1
18	23709	(000000-	) Catch, Draw Pull	1
19	65441	(000000-	) Spacer	2
20	09252	(000000-	) Screw, Hex, M05-0.8 X 20, 8.8	2
21	06549	(000000-	) Nut, Hex, Lock, M05-0.8, NI	2
22	19066	(000000-	) Washer, Flat, #10	2
23	06961	(000000-	) Screw, Hex, M10-1.5 X 20, 8.8	4
24	32485	(000000-	) Washer, Flat, .38 Sae	4
25	08709	(000000-	) Nut, Hex, Lock, M08-1.25, NI	1
26	40823	(000000-	) Screw, Shoulder, .312D X 0.62L .25-20	1
27	32981	(000000-	) Nut, Hex, Lock, .25-20 NI	1
28	222496	(000000-	) Sleeve, .318B .496D .929Ss	4



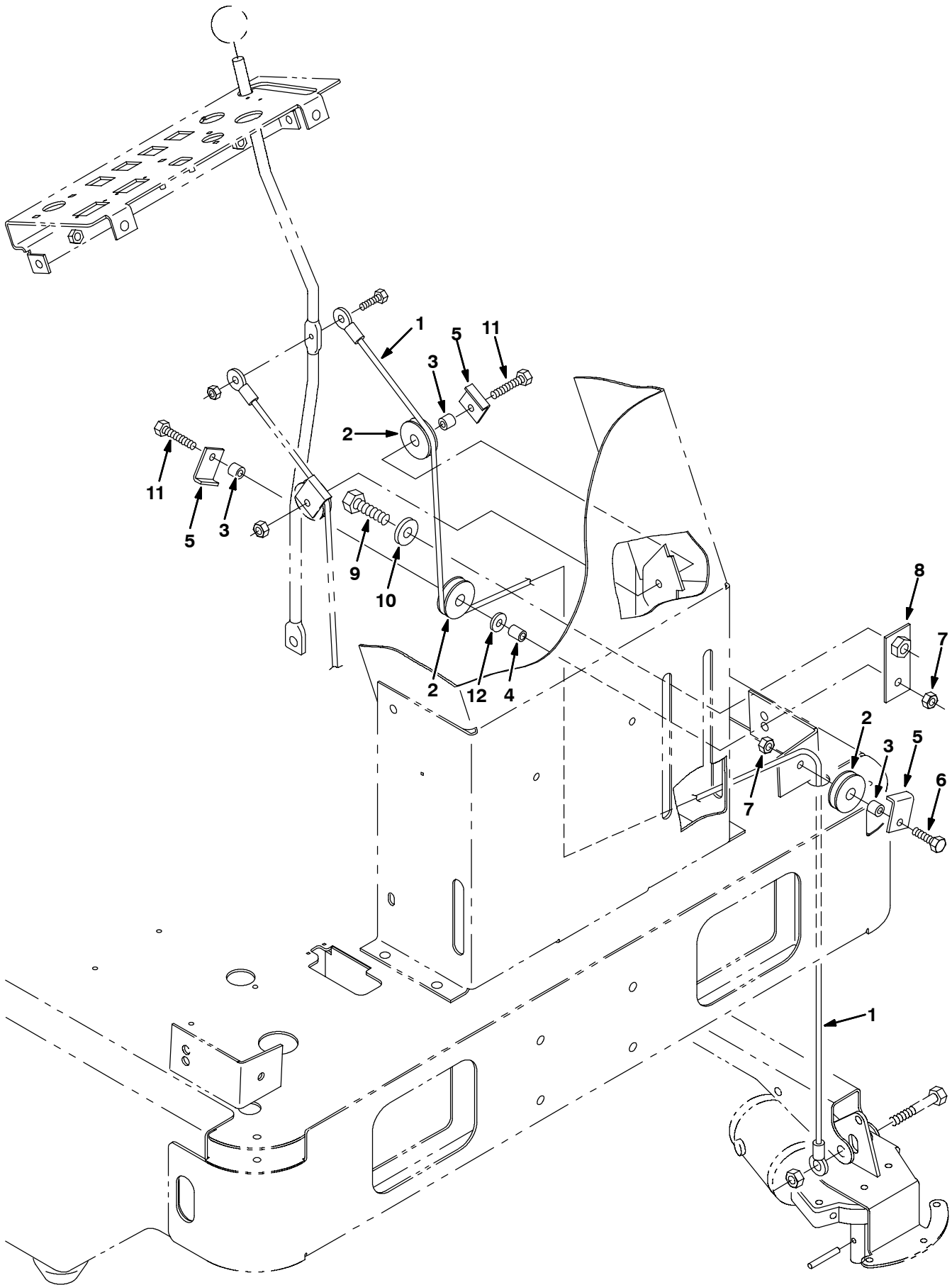


**Fig. 4 - Vacuum Wand Fan Group**

NOTE: Vacuum Wand Kit, Part Number 383887, includes Fig. 2, Fig. 3, and Fig. 4.

	Ref.	Part No.	Serial Number	Description	Qty.
▽	1	17363	(000000- xxxxxx )	Fan, Vacuum (See Bardowns)	1
▲	2	223264	(000000- xxxxxx )	Seal, Vac Fan	1
	3	383885	(000000- )	Bracket Wldt, Mtg, Wand, Vacuu	1
	4	18811	(000000-003475 )	Tube, Steel .26X.50X3.16L	3
	4	1042580	(003476- )	Tube, 0.25id 0.52od 03.4l, Stl	3
	5	09773	(000000-003475 )	Screw, Hex, M06-1.0 X100, Ss	3
	5	1043003	(003476- )	Screw, Hex, M6 X 1.00 X 110mm, Ss	3
	6	08712	(000000- )	Nut, Hex, Lock, M06-1.0, NI,Ss	3
	7	383731	(000000- )	Contacto, No, 36Vdc	1
	8	10632-13	(000000- )	Grommet, Rubber	1
	9	32984	(000000- )	Washer, Lock, Int, .31	2
	10	20170	(000000- )	Nut, Hex, Jam, .31-24	2
	11	39349	(000000- )	Washer, Flat, .31 Sae	2
	12	06942	(000000- )	Screw, Hex, M06-1.0 X 16, 8.8	2
	13	32483	(000000- )	Washer, Flat, .25 Sae	2
	14	08708	(000000- )	Nut, Hex, Lock, M06-1.0, NI	2
	15	16931	(000000- )	Screw, Hex, M08-1.25 X 20, 8.8	4
	16	32491	(000000- )	Washer, Flat, .31 Hard	4
	17	383723	(000000-003475 )	Circuitbreaker, 20Amp	1
	17	383724	(003476- )	Circuitbreaker, 25.0a, Resetable	1
▽	18	398520	( xxxxxx-003475 )	Fan Assy, Vacuum (See Bardowns) (Replaced by 9004054)	1
▲	19	223264	( xxxxxx-003475 )	Seal, Vac Fan	1
▽	20	1039617	(003476- )	Fan, Vacuum, 5.7d, 036vdc, 3 Stage	1
▲		1041772	(003476- )	Brush Kit, Motor [1pick=1kit]	1
▲		1041766	(003476- )	Cover, Cooling Fan	1
	21	10912	(003476- )	Seal, Rbr, Clsd, 0.375, 5.0d 2.5h	1

Fig. 5 - Side Brush Lift Group, Left Hand

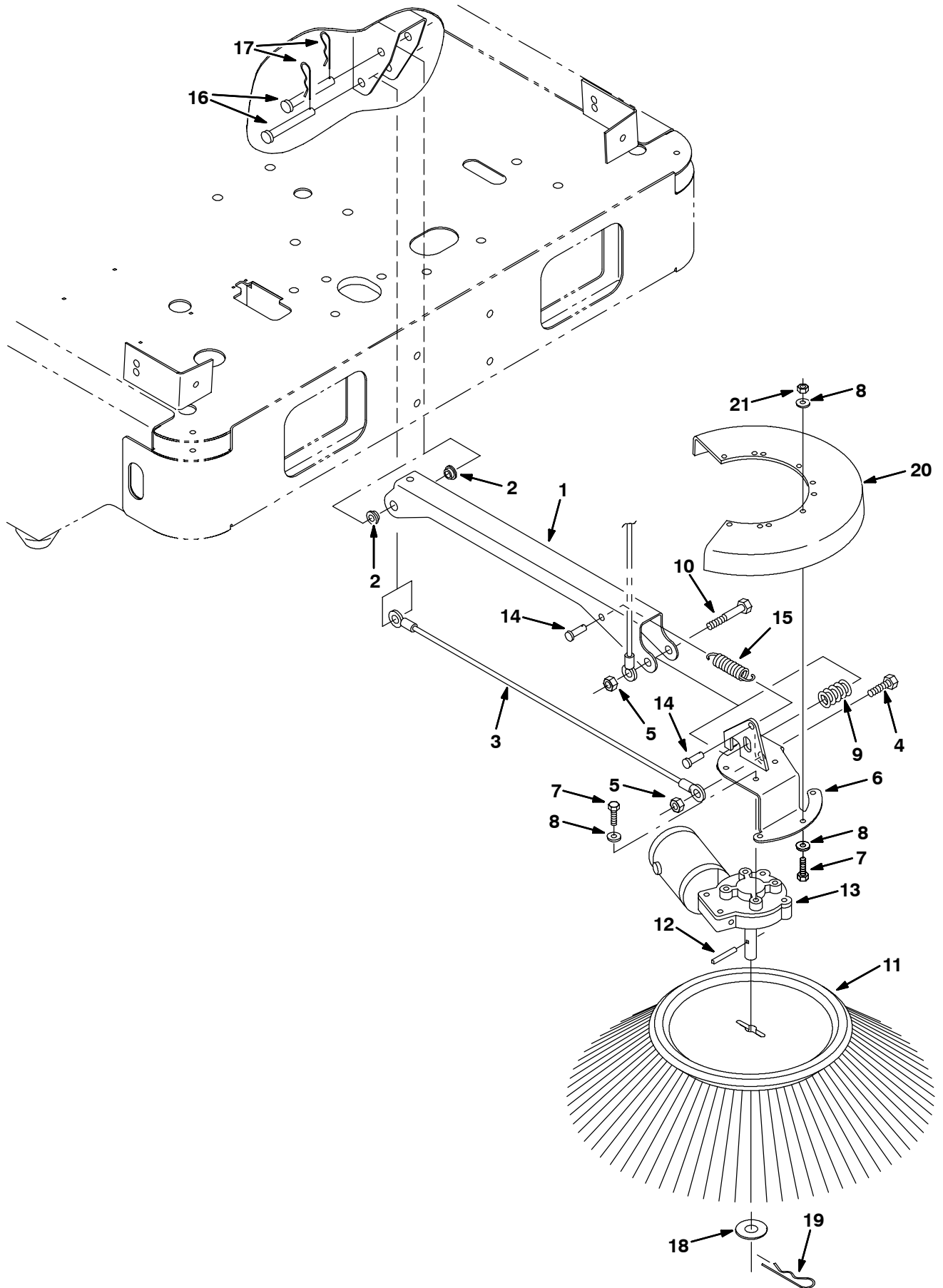


**Fig. 5 - Side Brush Lift Group, Left Hand**

*NOTE: Side Brush Kit, Left Hand, Part Number 383945, includes Fig. 5 and Fig. 6.*

<b>Ref.</b>	<b>Part No.</b>	<b>Serial Number</b>	<b>Description</b>	<b>Qty.</b>
1	81785	(000000-	) Cable, Sidebrush Lift Lh	1
2	369781	(000000-	) Pulley, Cable, 1.5d, Nyl	3
3	222460	(000000-	) Sleeve	3
4	80395	(000000-	) Sleeve	1
5	54400	(000000-	) Angle	3
6	76570	(000000-	) Screw, Hex, M08-1.25 X 30, 8.8	1
7	08709	(000000-	) Nut, Hex, Lock, M08-1.25,NI	2
8	81955	(000000-	) Plate, Sidebrush Lift	1
9	06967	(000000-	) Scr Hex M12X1.75 20	1
10	32493	(000000-	) Washer, Flat, .50 Hard	1
11	06956	(000000-	) Screw, Hex, M08-1.25 X 45, 8.8	2
12	32491	(000000-	) Washer, Flat, .31 Hard	1

Fig. 6 - Side Brush Motor Group, Left Hand

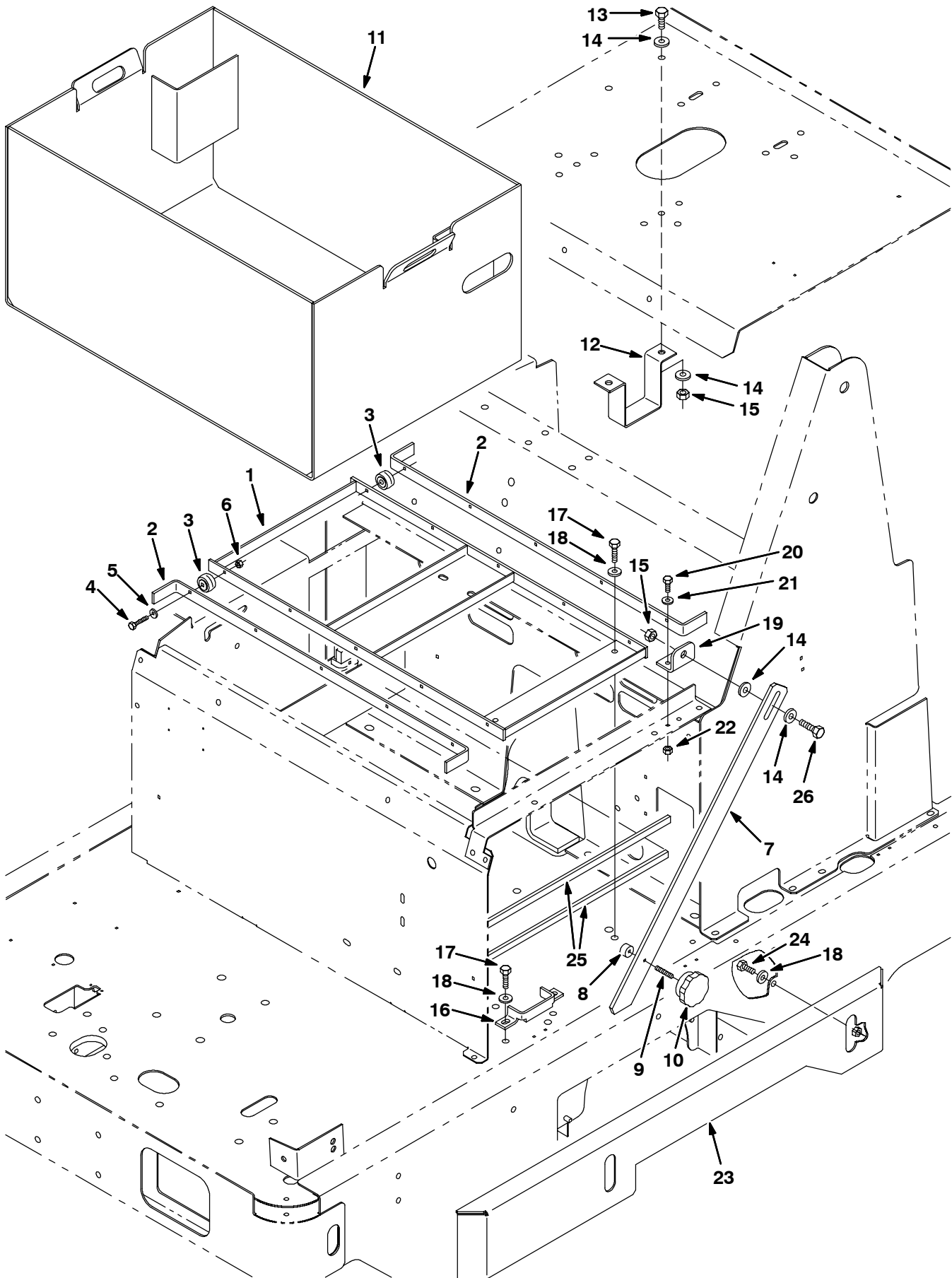


**Fig. 6 - Side Brush Motor Group, Left Hand**

NOTE: Side Brush Kit, Left Hand, Part Number 383945, includes Fig. 5 and Fig. 6.

Ref.	Part No.	Serial Number	Description	Qty.
1	383533	(000000-	) Channel, Mtg, Sidebrush	1
2	15648	(000000-	) Bearing, Flange	2
3	367375	(000000-	) Cable, Brush, Side	1
4	41345	(000000-	) Screw, Hex, M12-1.75 X 25, 8.8	1
5	08711	(000000-	) Nut, Hex, Lock, M12-1.75,NI	2
6	81750	(000000-	) Bracket Wldt, Sidebrush	1
7	15678	(000000-	) Screw, Hex, M06-1.0 X 16, Ss	9
8	01684	(000000-	) Washer, Flat, .25 Ss	14
9	87242	(000000-	) Spring,Die .50 Id 1.00 Od 1.25	1
10	06972	(000000-	) Screw, Hex, M12-1.75 X 60, 8.8	1
11	383753	(000000-	) Brush, Disk, Swp, 20.5 D	1
12	11516	(000000-	) Pin	1
▽	13	1008275	(000000-) Motor, Ele, 36vdc 0.08hp 0068rpm 04.5a	1
▲		81919	(000000-) Brush&Spring Assy	1
▲		80127	(000000-) Cap, Brush	2
▲		369795	(000000-) Brushholder	2
▲		369796	(000000-) Clip	2
	14	39019	(000000-) Pin, Clevis	2
	15	15047	(000000-) Spring, Extension	1
	16	06279	(000000-) Pin, Clevis	2
	17	44906	(000000-) Pin, Hair Cotter	2
	18	04400	(000000-) Washer, Flat, M16, 17 X30X3Ss	1
	19	02942	(000000-) Pin, Hair Cotter	1
	20	384049	(000000-) Guard, Brush, Side	1
	21	08712	(000000-) Nut, Hex, Lock, M06-1.0, NI, Ss	5

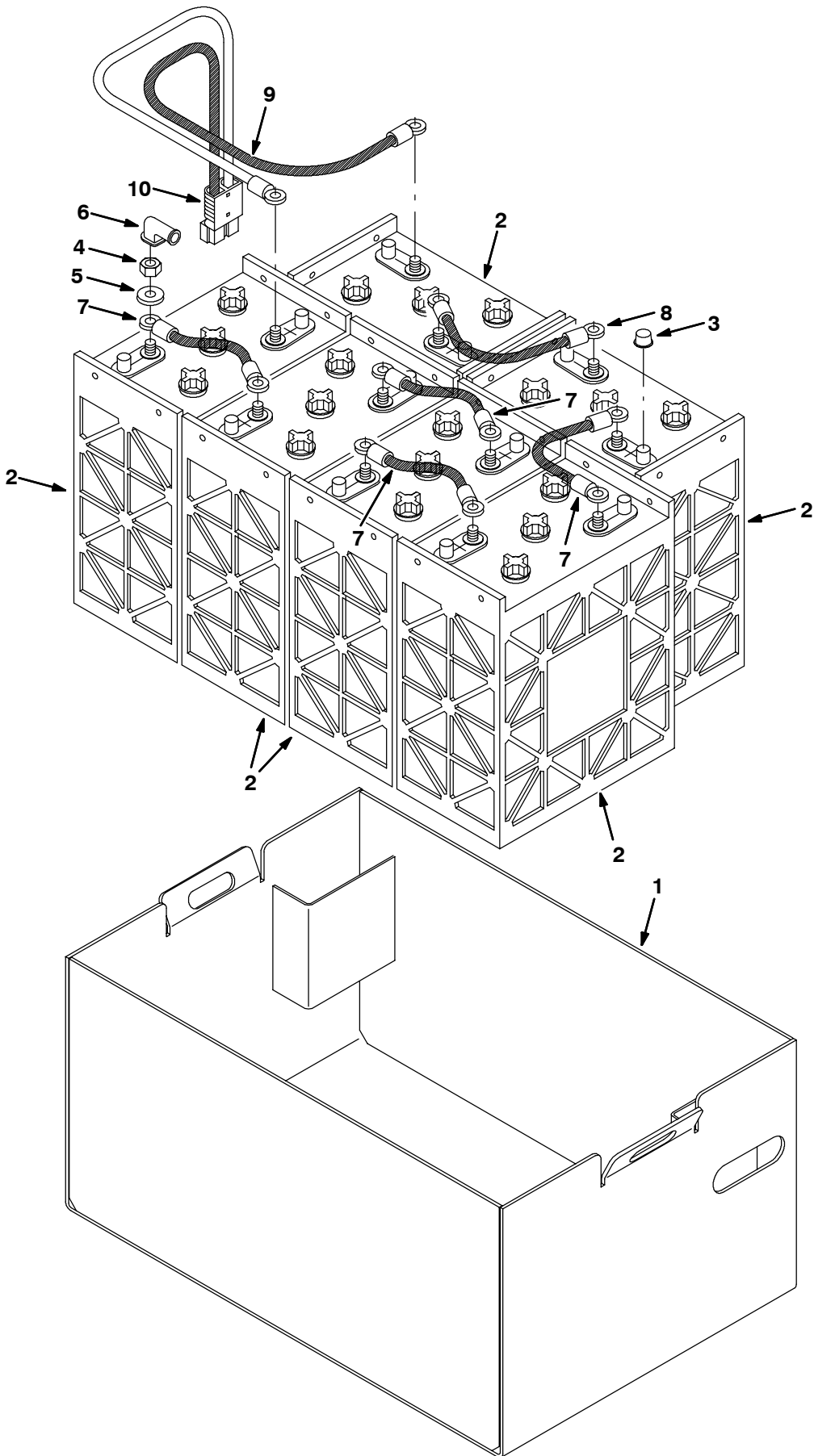
Fig. 7 - Rollout Battery Case Kit



**Fig. 7 - Rollout Battery Case Kit**

	<b>Ref.</b>	<b>Part No.</b>	<b>Serial Number</b>	<b>Description</b>	<b>Qty.</b>
▽		383983	(000000-	) Kit, Battery, Rollout, 6200	1
▲	1	223466	(000000-	) Bar, Mounting, Batt Rollers	1
▲	2	223476	(000000-	) Channel, Stiffener, Batt Roll	2
▲	3	369415	(000000-	) Bearing, Cam Follower	10
▲	4	33930	(000000-	) Screw, Hex, M06-1.0 X 40, Ss	10
▲	5	01684	(000000-	) Washer, Flat, .25 Ss	10
▲	6	08712	(000000-	) Nut, Hex, Lock, M06-1.0, NI,Ss	10
▲	7	383667	(000000-	) Brace, Battery, Case	1
▲	8	83377	(000000-	) Bumper, Rubber	1
▲	9	83381	(000000-	) Rod, Threaded, M6 X 1.50 Lg	1
▲	10	83361	(000000-	) Knob, 2.38D .88H M6 Insert	1
▲	11	369483	(000000-	) Case, Roll Out Battery	1
▲	12	384031	(000000-	) Bracket, Stop, Battery	1
▲	13	06961	(000000-	) Screw, Hex, M10-1.5 X 20, 8.8	2
▲	14	32492	(000000-	) Washer, Flat, .38 Hard	6
▲	15	41430	(000000-	) Nut, Hex, Lock, M10-1.5, NI	3
▲	16	83363	(000000-	) Bracket, Support, Brace	1
▲	17	76570	(000000-	) Screw, Hex, M08-1.25 X 30, 8.8	6
▲	18	32491	(000000-	) Washer, Flat, .31 Hard	12
▲	19	383986	(000000-	) Bracket, Brace, Battery	1
▲	20	06942	(000000-	) Screw, Hex, M06-1.0 X 16, 8.8	2
▲	21	32483	(000000-	) Washer, Flat, .25 Sae	2
▲	22	08708	(000000-	) Nut, Hex, Lock, M06-1.0, NI	2
▲	23	383979	(000000-	) Channel Wldt, Bumper	1
▲	24	16931	(000000-	) Screw, Hex, M08-1.25 X 20, 8.8	6
▲	25	384043	(000000-	) Seal, Rbr, Close, .25T .50W	2
▲	26	39284	(000000-	) Screw, Hex, M10-1.5 X 35, 8.8	1

Fig. 8 - Rollout Battery Pack Kit

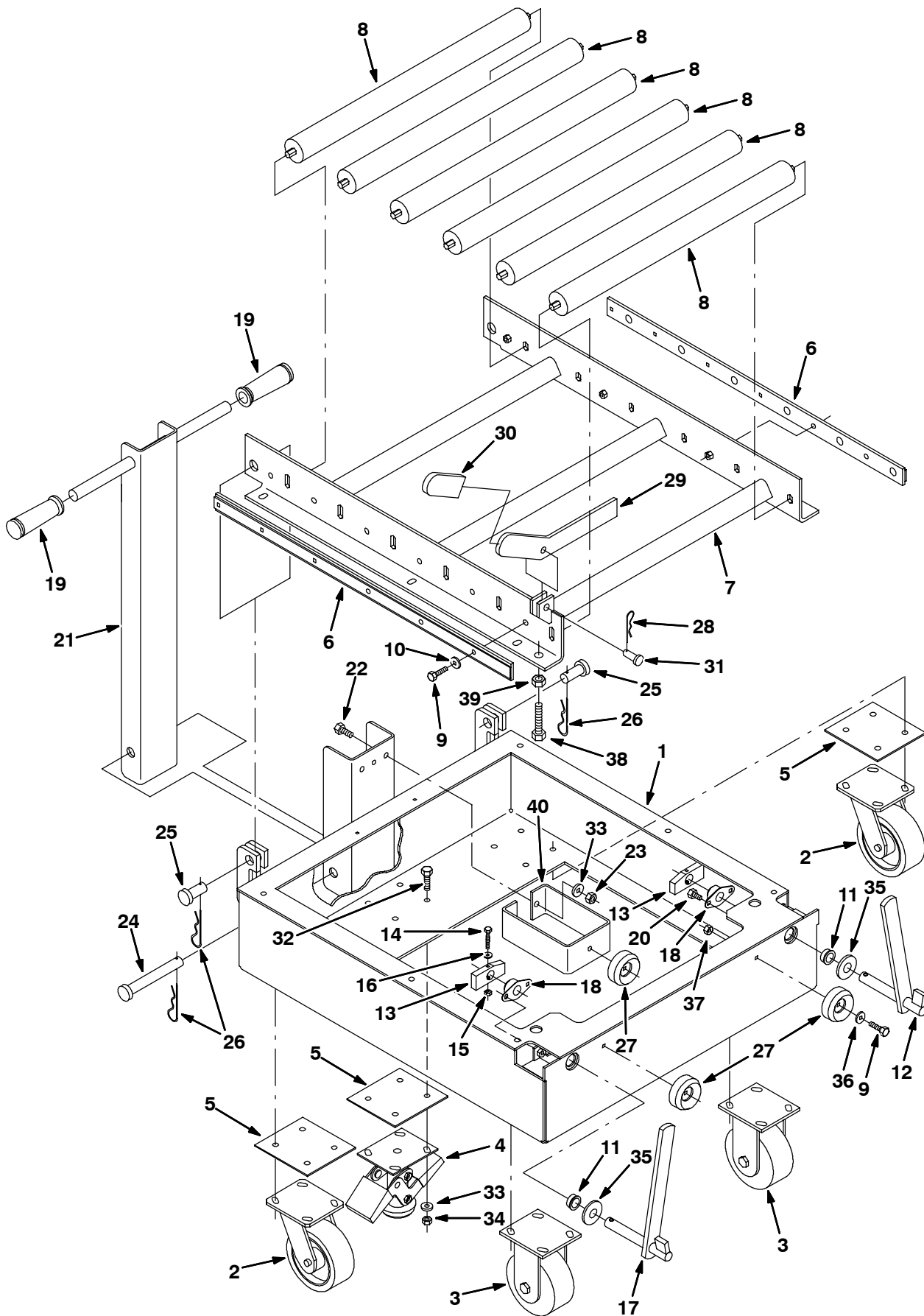




**Fig. 8 - Rollout Battery Pack Kit**

	<b>Ref.</b>	<b>Part No.</b>	<b>Serial Number</b>	<b>Description</b>	<b>Qty.</b>
▽		383999	(000000-	) Kit, Battery W/Case, F/Rollout	1
▲	1	369483	(000000-	) Case, Roll Out Battery	1
▲	2	222846	(000000-	) Battery, 6V, Wet	6
▲	3	223641	(000000-	) Cap, Battery	6
▲	4	87435	(000000-	) Nut, Hex, Flexlock, .31-18	12
▲	5	01685	(000000-	) Washer, Flat, .31 Ss	12
▲	6	02076	(000000-	) Boot	12
▲	7	223355	(000000-	) Wire	4
▲	8	223356	(000000-	) Wire	1
▲▽	9	223361	(000000-	) Harness, Wire	1
▲▲	10	22892	(000000-	) Connector, Gray	1

Fig. 9 - Rollout Battery Cart Kit



**Fig. 9 - Rollout Battery Cart Kit**

	<b>Ref.</b>	<b>Part No.</b>	<b>Serial Number</b>	<b>Description</b>	<b>Qty.</b>
▽		369362	(000000-	) Dolly, Battery Kit	1
▲	1	369435	(000000-	) Frame, Batt Cart, 7200	1
▲	2	222467	(000000-	) Caster	2
▲	3	369373	(000000-	) Caster, Battery, Cart	2
▲	4	369374	(000000-	) Floor Lock	1
▲	5	369372	(000000-	) Plate, Spacer, Caster	3
▲	6	369466	(000000-	) Cap Wldt, Roller Shaft	2
▲	7	369462	(000000-	) Frame Wldt, Mtg, Roller	1
▲	8	369371	(000000-	) Roller Assy, 24 In, Batt Cart	6
▲	9	09010	(000000-	) Screw, Hex, M08-1.25 X 25, Ss	12
▲	10	01685	(000000-	) Washer, Flat, .31 Ss	12
▲	11	369487	(000000-	) Grommet,Nylon, .75ld,1.00Dmtg	2
▲	12	369473	(000000-	) Lock Wldt, Lh, Batt Cart	1
▲	13	369478	(000000-	) Block, Stop, Batt Cart Lock	2
▲	14	06947	(000000-	) Screw, Hex, M06-1.0 X 40, 8.8	2
▲	15	08708	(000000-	) Nut, Hex, Lock, M06-1.0, NI	2
▲	16	01684	(000000-	) Washer, Flat, .25 Ss	2
▲	17	369474	(000000-	) Lock Wldt, Rh, Batt Cart	1
▲	18	223065	(000000-	) Bearing, Flange	2
▲	19	222648	(000000-	) Grip, Handle, Round	2
▲	20	15675	(000000-	) Screw, Hex, M08-1.25 X 16, Ss	4
▲	21	369470	(000000-	) Handel Wldt, Batt Cart	1
▲	22	39283	(000000-	) Screw, Hex, M10-1.5 X 25, 8.8	2
▲	23	66185	(000000-	) Nut-Hx Std M10X1.25	2
▲	24	54660	(000000-	) Pin, Clevis	1
▲	25	02141	(000000-	) Pin, Clevis	2
▲	26	55094	(000000-	) Pin, Hair Cotter	3
▲	27	369481	(000000-	) Bumper, Rubr. 2.50DiaX 1.00	3
▲	28	21120	(000000-	) Pin, Haircotter	1
▲	29	369496	(000000-	) Bar, Batt.Stop	1
▲	30	385612	(000000-	) Grip, Handle	1
▲	31	58078	(000000-	) Pin, Clevis	1
▲	32	03192	(000000-	) Screw, Hex, M10-1.5 X 30, 8.8	20
▲	33	32492	(000000-	) Washer, Flat, .38 Hard	22
▲	34	41430	(000000-	) Nut, Hex, Lock, M10-1.5, NI	20
▲	35	39350	(000000-	) Washer, Flat, .75 Sae	2
▲	36	32491	(000000-	) Washer, Flat, .31 Hard	3
▲	37	08709	(000000-	) Nut, Hex, Lock, M08-1.25,NI	3
▲	38	06416	(000000-	) Screw, Hex, M12-1.75 X 50, FI	2
▲	39	39313	(000000-	) Nut, Hex, Std, M12-1.75	2
▲	40	83380	(000000-	) Bracket, Stop, Battery Case	1
▲	41	39283	(000000-	) Screw, Hex, M10-1.5 X 25, 8.8	2
▲	42	66185	(000000-	) Nut-Hx Std M10X1.25	2

Fig. 10 - Revolving Light Kit

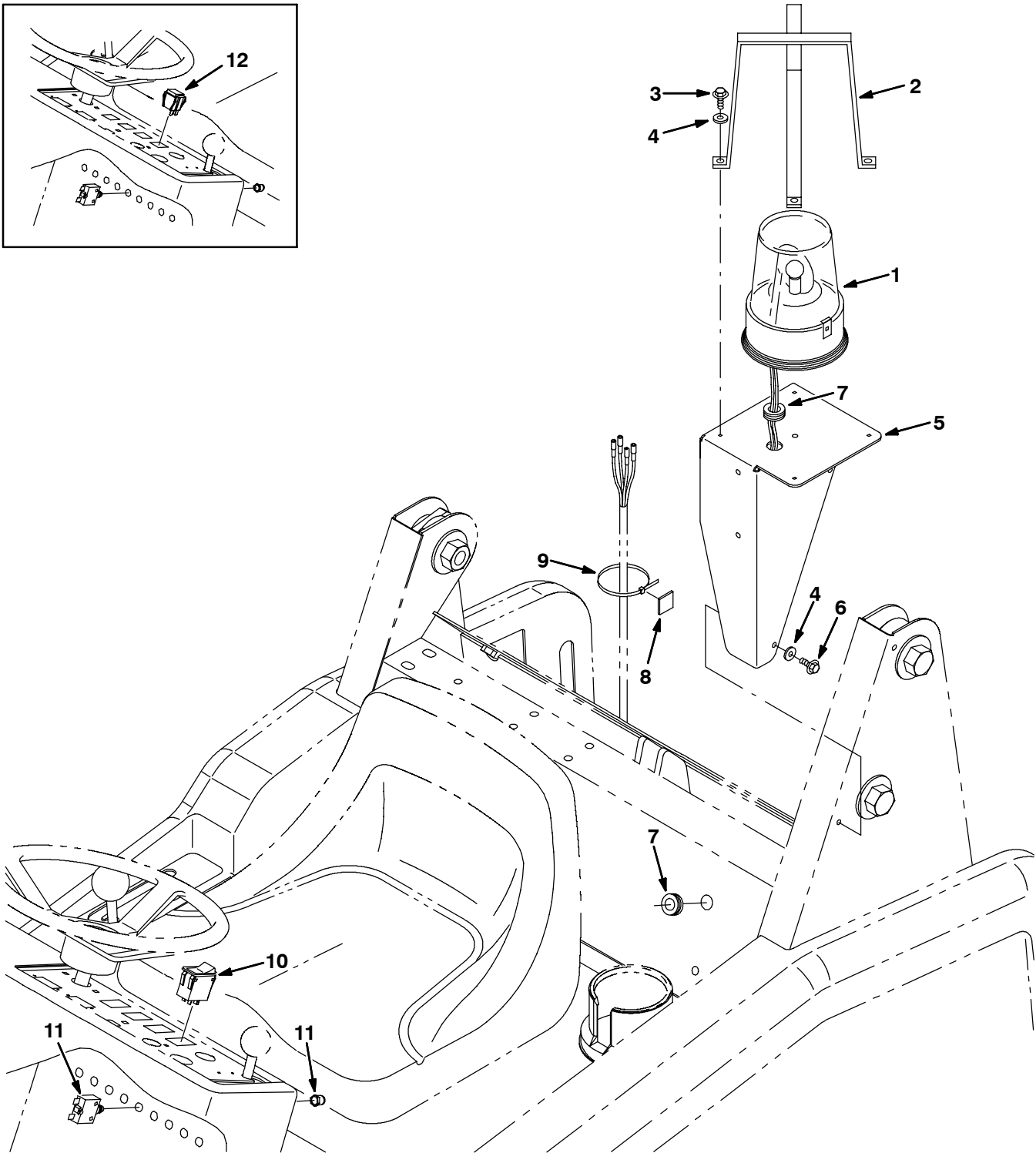
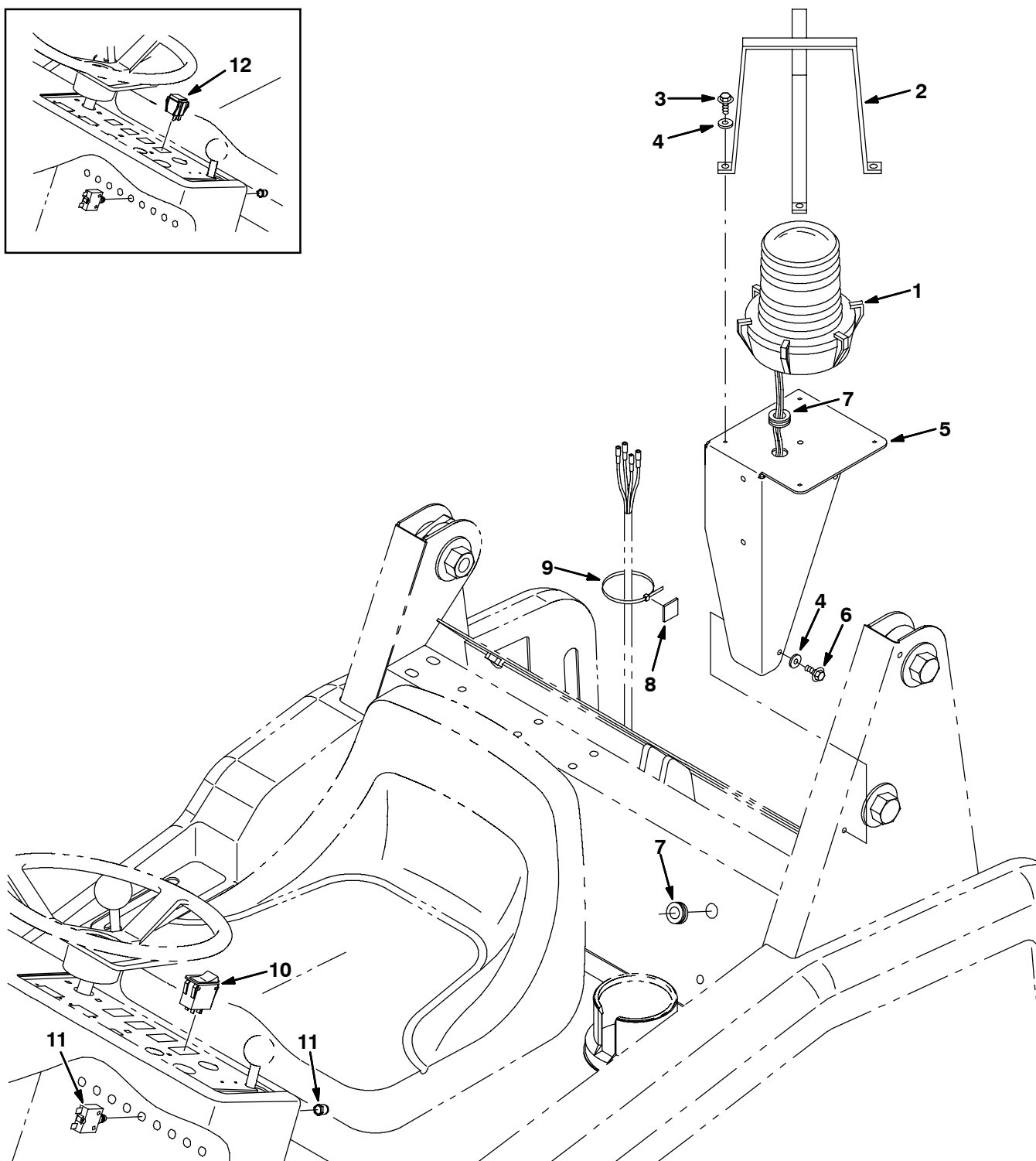
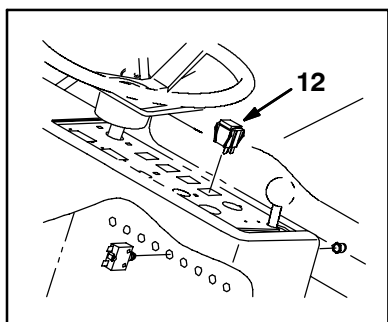


Fig. 10 - Revolving Light Kit

	Ref.	Part No.	Serial Number	Description	Qty.
▽		384129	(000000-	) Kit, Light, Revl, 36Vdc, 6200	1
▲▽	1	383976	(000000-	) Lamp, Revl, Amb, 36Vdc Rework	1
▲▲		44681-1	(000000-	) Lens,Rev.Light,Amber	1
▲▲		45283	(000000-	) Lamp	1
▲	2	45272	(000000-	) Guard, Lamp	1
▲	3	12459	(000000-	) Screw, Hex, Frng, M06-1.0 X 20	4
▲	4	32490	(000000-	) Washer, Flat, .25 Hard	6
▲	5	384165	(000000-	) Angle, Mtg, Light	1
▲	6	361339	(000000-	) Screw, Hex 6X 1.0 16 Pltd	2
▲	7	10632-2	(000000-	) Grommet, Rubber	2
▲	8	55248	(000000-	) Mount, Cable Tie	1
▲	9	49266	(000000-	) Tie, Cable 1.75D Max 7.50Lg	1
▲	10	392171	(002627-	) Switch, Rocker, 36vdc 05a Dpdt On/Of/On	1
▲	11	383722	(000000-	) Circuitbreaker, 15Amp	1
	12	360520	(000000-002626	) Switch, Rocker, Spdt, 3Pos	1
		44681	(000000-	) Lens,Rev.Light,Red	1
		44681-2	(000000-	) Lens,Rev.Light,Blue	1

Fig. 11 - Flashing Light Kit



**Fig. 11 - Flashing Light Kit**

	<b>Ref.</b>	<b>Part No.</b>	<b>Serial Number</b>	<b>Description</b>	<b>Qty.</b>
▽		384127	(000000-	) Kit, Light, Flsh, 36Vdc, 6200	1
▲▽	1	383975	(000000-	) Lamp, Flsh, Amb, 36Vdc Rework	1
▲▲		58520	(000000-	) Lens,Flashing Lite Fr207 Amber	1
▲▲		45283	(000000-	) Lamp	1
▲	2	45272	(000000-	) Guard, Lamp	1
▲	3	12459	(000000-	) Screw, Hex, Frng, M06-1.0 X 20	4
▲	4	32490	(000000-	) Washer, Flat, .25 Hard	6
▲	5	384165	(000000-	) Angle, Mtg, Light	1
▲	6	361339	(000000-	) Screw, Hex 6X 1.0 16 Pltd	2
▲	7	10632-2	(000000-	) Grommet, Rubber	2
▲	8	55248	(000000-	) Mount, Cable Tie	1
▲	9	49266	(000000-	) Tie, Cable 1.75D Max 7.50Lg	1
▲	10	392171	(002627-	) Switch, Rocker, 36vdc 05a Dpdt On/Of/On	1
▲	11	383722	(000000-	) Circuitbreaker, 15Amp	1
	12	360520	(000000-002626	) Switch, Rocker, Spdt, 3Pos	1
		58518	(000000-	) Lens,Flashing Lite Fr207 Red	1
		58519	(000000-	) Lens,Flashing Lite Fr207 Blue	1

Fig. 12 - Revolving Light Kit, Overhead Guard

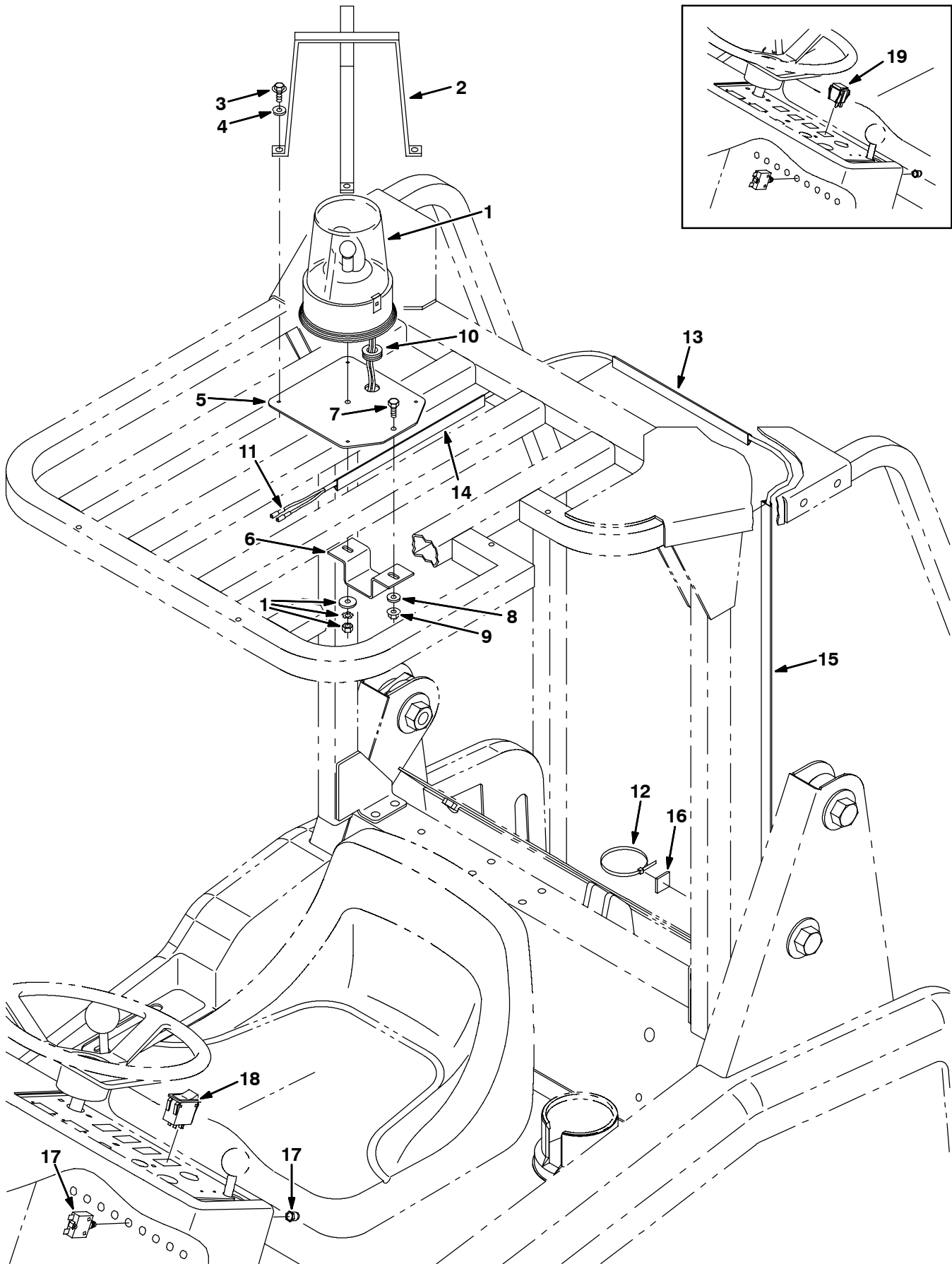
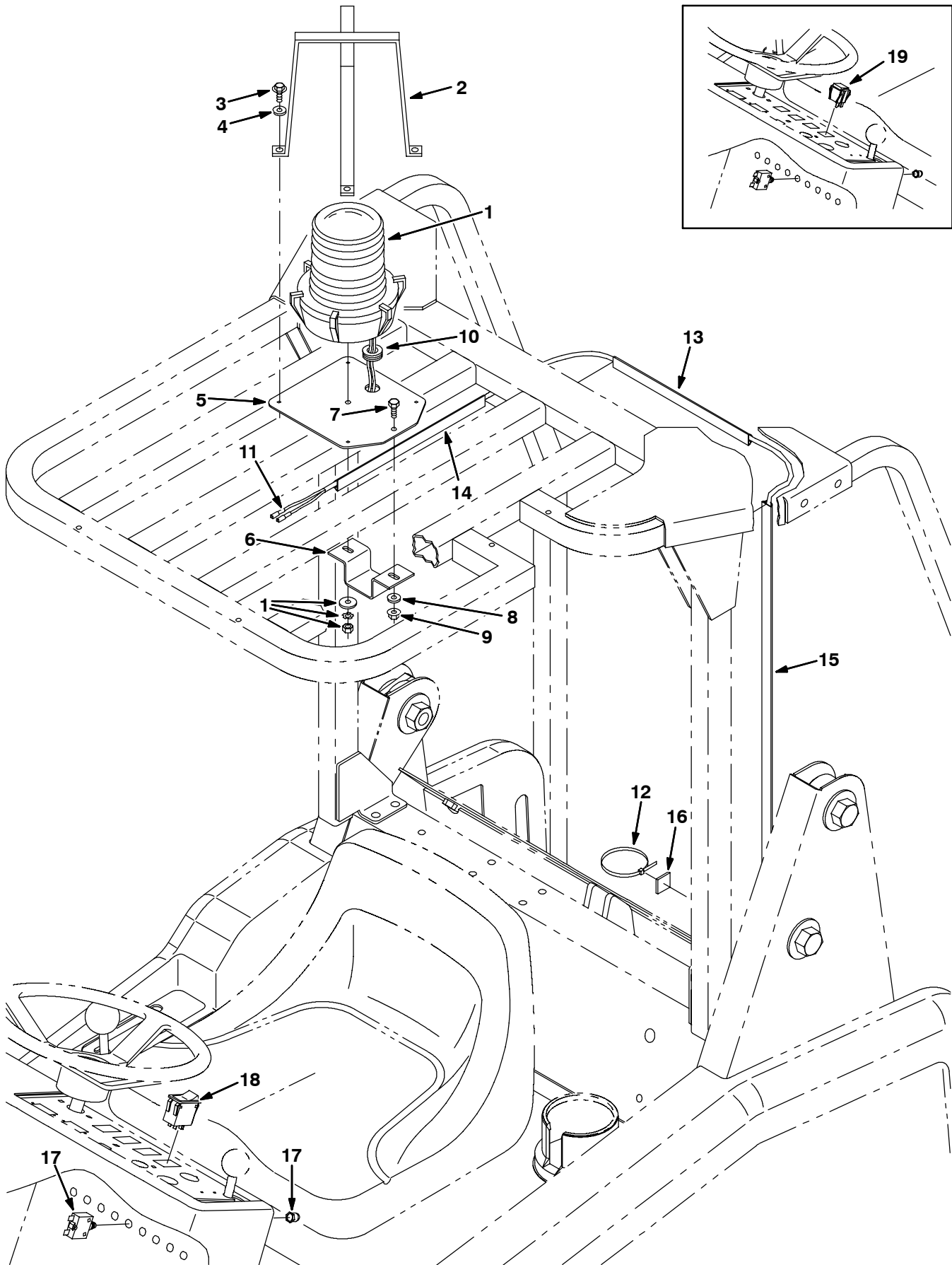




Fig. 12 - Revolving Light Kit, Overhead Guard

	Ref.	Part No.	Serial Number	Description	Qty.
▽		384125	(000000-	) Kit, Light, Revl, Ohg, 36Vdc	1
▲▽	1	383976	(000000-	) Lamp, Revl, Amb, 36Vdc Rework	1
▲▲		44681-1	(000000-	) Lens,Rev.Light,Amber	1
▲▲		45283	(000000-	) Lamp	1
▲	2	45272	(000000-	) Guard, Lamp	1
▲	3	12459	(000000-	) Screw, Hex, Frng, M06-1.0 X 20	4
▲	4	32490	(000000-	) Washer, Flat, .25 Hard	4
▲	5	384145	(000000-	) Plate, Mtg, Light, Ohg	1
▲	6	384146	(000000-	) Channel, Mtg, Light, Ohg	1
▲	7	06942	(000000-	) Screw, Hex, M06-1.0 X 16, 8.8	1
▲	8	32483	(000000-	) Washer, Flat, .25 Sae	1
▲	9	07790	(000000-	) Nut, Hex, Flange, M06-1.0	1
▲	10	10632-2	(000000-	) Grommet, Rubber	1
▲	11	383942	(000000-	) Harness, Light, Revl, Ohg, 6200	1
▲	12	49266	(000000-	) Tie, Cable 1.75D Max 7.50Lg	2
▲	13	384021	(000000-	) Duct, Vinyl, 11.0L	1
▲	14	384020	(000000-	) Duct, Vinyl, 12.0L	1
▲	15	384019	(000000-	) Duct, Vinyl, 31.0L	1
▲	16	55248	(000000-	) Mount, Cable Tie	2
▲	17	383722	(000000-	) Circuitbreaker, 15Amp	1
▲	18	392171	(002627-	) Switch, Rocker, 36vdc 05a Dpdt On/Of/On	1
	19	360520	(000000-002626	) Switch, Rocker, Spdt, 3Pos	1
		44681	(000000-	) Lens,Rev.Light,Red	1
		44681-2	(000000-	) Lens,Rev.Light,Blue	1

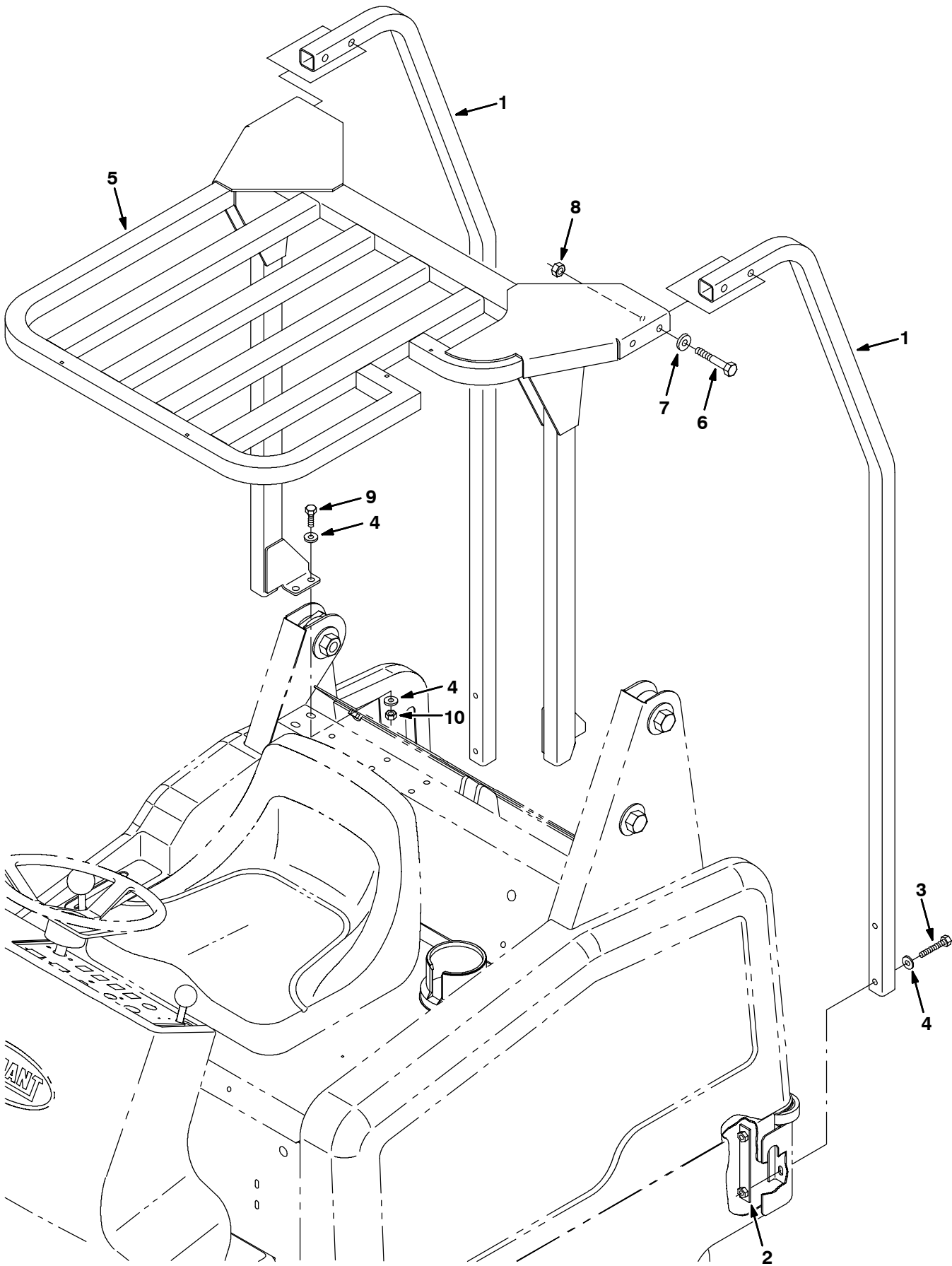
Fig. 13 - Flashing Light Kit, Overhead Guard



**Fig. 13 - Flashing Light Kit, Overhead Guard**

	<b>Ref.</b>	<b>Part No.</b>	<b>Serial Number</b>	<b>Description</b>	<b>Qty.</b>
▽		384123	(000000-	) Kit, Light, Flsh, Ohg, 36Vdc,	1
▲▽	1	383975	(000000-	) Lamp, Flsh, Amb, 36Vdc Rework	1
▲▲		58520	(000000-	) Lens,Flashing Lite Fr207 Amber	1
▲▲		45283	(000000-	) Lamp	1
▲	2	45272	(000000-	) Guard, Lamp	1
▲	3	12459	(000000-	) Screw, Hex, Frng, M06-1.0 X 20	4
▲	4	32490	(000000-	) Washer, Flat, .25 Hard	4
▲	5	384145	(000000-	) Plate, Mtg, Light, Ohg	1
▲	6	384146	(000000-	) Channel, Mtg, Light, Ohg	1
▲	7	06942	(000000-	) Screw, Hex, M06-1.0 X 16, 8.8	1
▲	8	32483	(000000-	) Washer, Flat, .25 Sae	1
▲	9	07790	(000000-	) Nut, Hex, Flange, M06-1.0	1
▲	10	10632-2	(000000-	) Grommet, Rubber	1
▲	11	383942	(000000-	) Harness, Light, Revl, Ohg, 6200	1
▲	12	49266	(000000-	) Tie, Cable 1.75D Max 7.50Lg	2
▲	13	384021	(000000-	) Duct, Vinyl, 11.0L	1
▲	14	384020	(000000-	) Duct, Vinyl, 12.0L	1
▲	15	384019	(000000-	) Duct, Vinyl, 31.0L	1
▲	16	55248	(000000-	) Mount, Cable Tie	2
▲	17	383722	(000000-	) Circuitbreaker, 15Amp	1
▲	18	392171	(002627-	) Switch, Rocker, 36vdc 05a Dpdt On/Of/On	1
	19	360520	(000000-002626	) Switch, Rocker, Spdt, 3Pos	1
		58518	(000000-	) Lens,Flashing Lite Fr207 Red	1
		58519	(000000-	) Lens,Flashing Lite Fr207 Blue	1

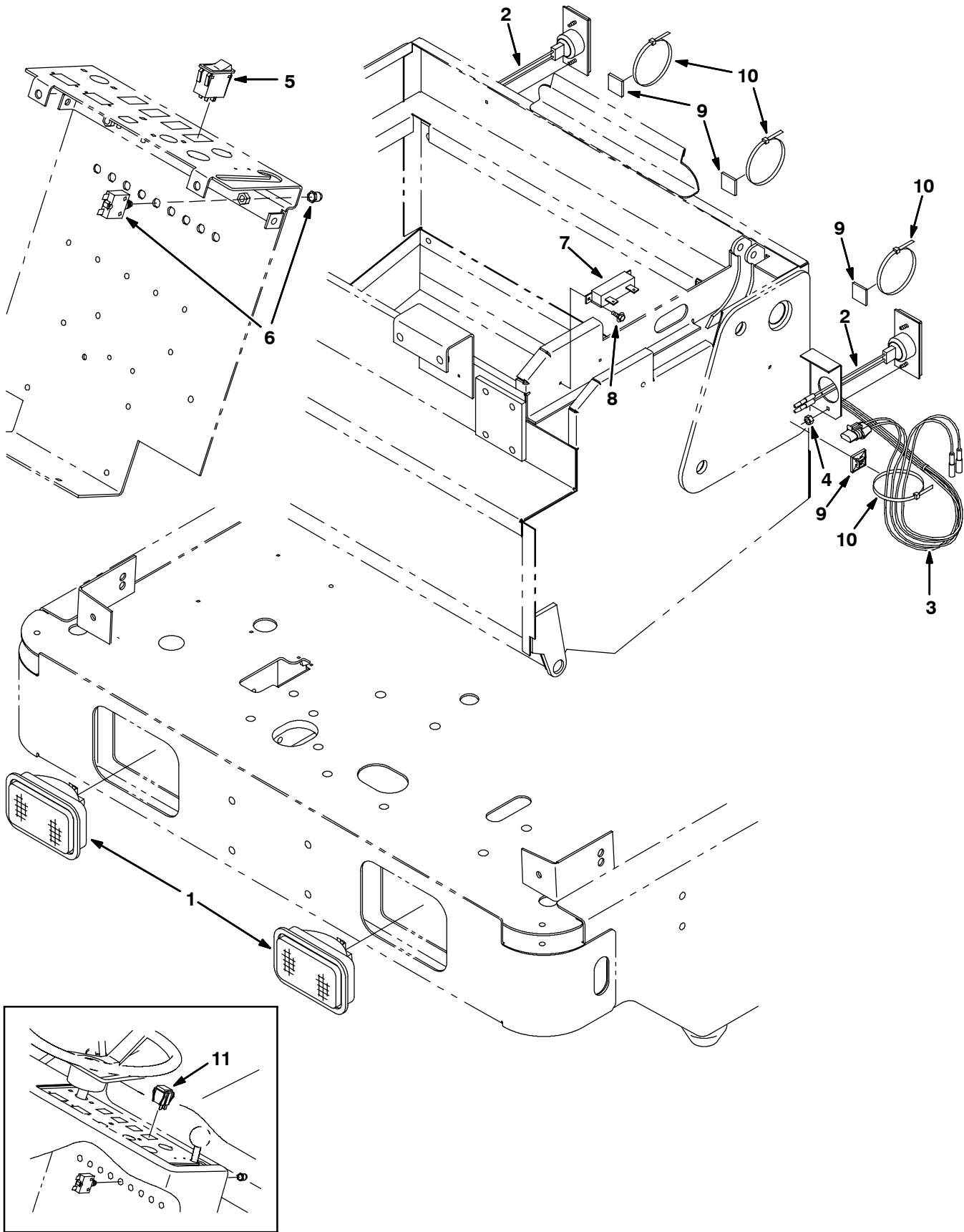
Fig. 14 - Overhead Guard Kit



**Fig. 14 - Overhead Guard Kit**

	<b>Ref.</b>	<b>Part No.</b>	<b>Serial Number</b>	<b>Description</b>	<b>Qty.</b>
▽		384188	(000000-	) Kit, Ohg, 6200	1
▲	1	383668	(000000-	) Leg, Ohg, Rear, Paint	2
▲	2	384183	(000000-	) Plate, Ohg, Leg, Rear	2
▲	3	06963	(000000-	) Screw, Hex, M10-1.5 X 60, 8.8	4
▲	4	32485	(000000-	) Washer, Flat, .38 Sae	12
▲	5	384170	(000000-	) Guard Wldt, Ohg, Top	1
▲	6	33950	(000000-	) Screw, Hex, M12-1.75 X 80, Ss	4
▲	7	32486	(000000-	) Washer, Flat, .50 Sae	4
▲	8	08711	(000000-	) Nut, Hex, Lock, M12-1.75,NI	4
▲	9	03192	(000000-	) Screw, Hex, M10-1.5 X 30, 8.8	4
▲	10	41430	(000000-	) Nut, Hex, Lock, M10-1.5, NI	4

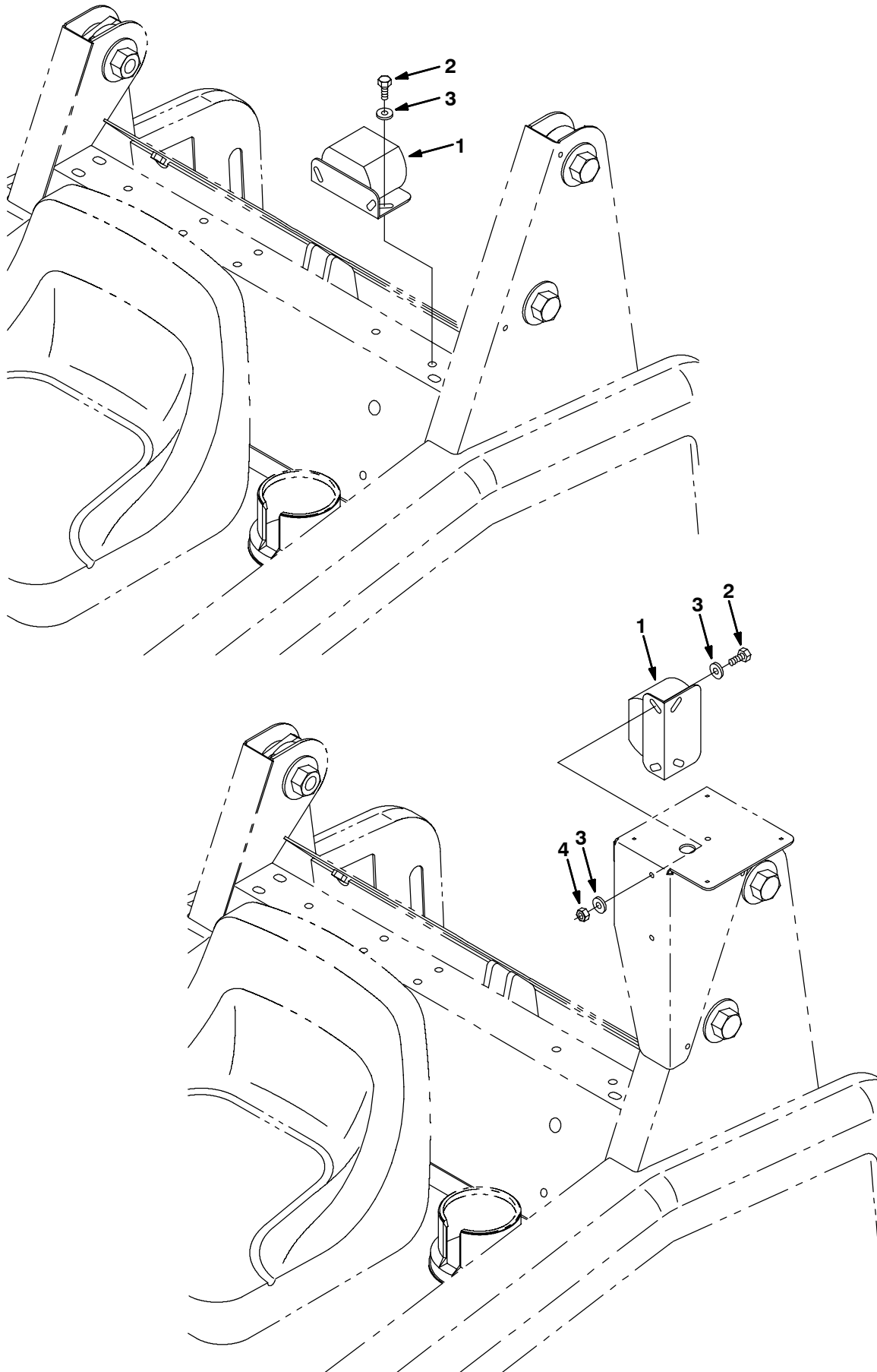
Fig. 15 - Light Kit



**Fig. 15 - Light Kit**

	<b>Ref.</b>	<b>Part No.</b>	<b>Serial Number</b>	<b>Description</b>	<b>Qty.</b>
▽		384065	(000000-	) Kit, Headlight, Taillight, 36V	1
▲▽	1	383894	(000000-	) Headlight, 36Vdc	2
▲▲		360518	(000000-	) Lamp	1
▲▽	2	87346	(000000-	) Light Assy Tail	2
▲▲		87948	(000000-	) Lamp	1
▲▲		87949	(000000-	) Lampholder	1
▲	3	383836	(000000-	) Harness, Taillight, 6200	1
▲	4	01713	(000000-	) Nut, Hex, Std, #10-32, G2	4
▲	5	392171	(002627-	) Switch, Rocker, 36vdc 05a Dpdt On/Of/On	1
▲	6	383722	(000000-	) Circuitbreaker, 15Amp	1
▲	7	87349	(000000-	) Resistor	1
▲	8	223198	(000000-	) Screw, Hex	2
▲	9	55248	(000000-	) Mount, Cable Tie	5
▲	10	49266	(000000-	) Tie, Cable 1.75D Max 7.50Lg	5
	11	360520	(000000-002626	) Switch, Rocker, Spdt, 3Pos	1

Fig. 16 - Backup Alarm Kit

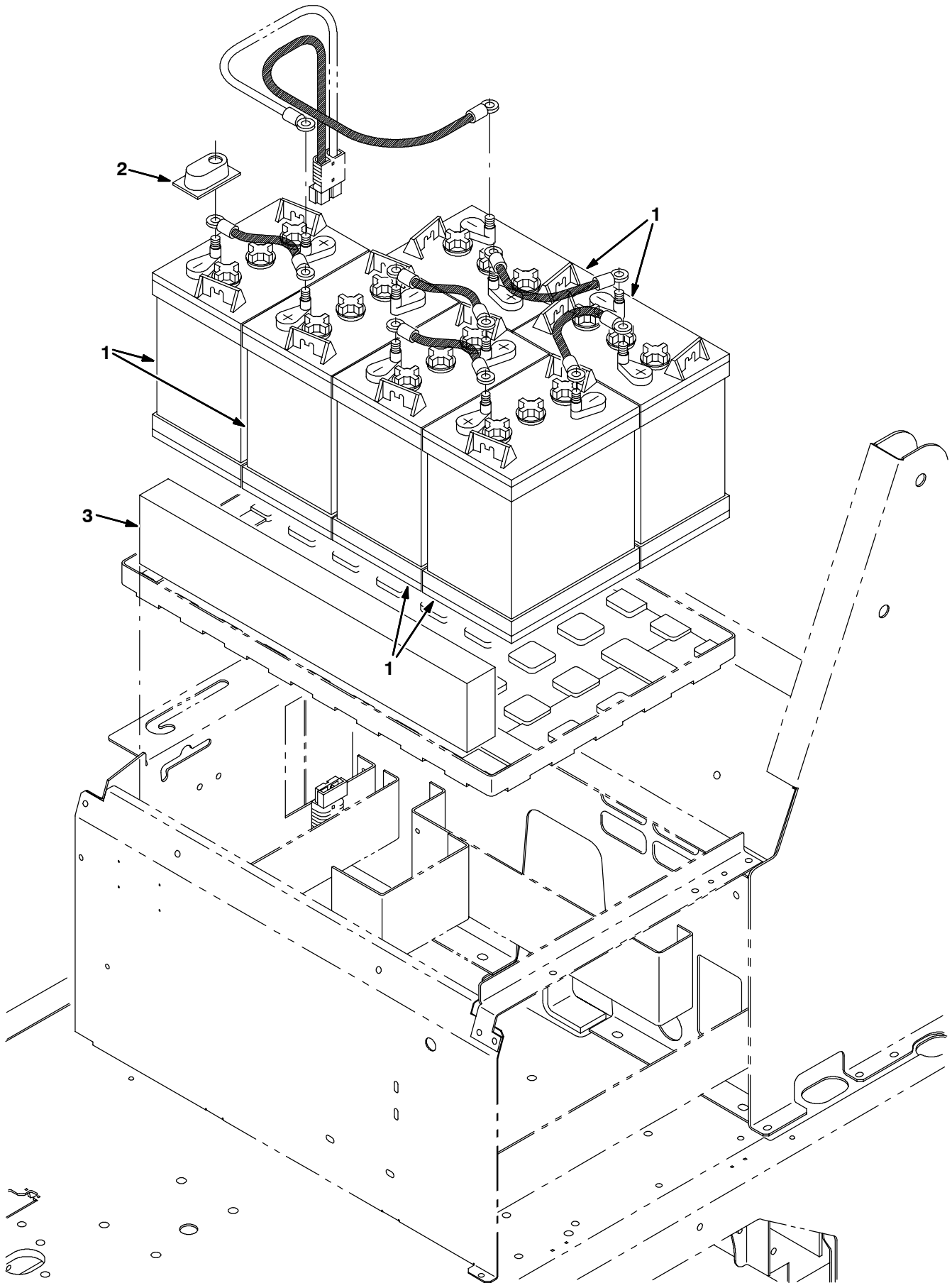




**Fig. 16 - Backup Alarm Kit**

	<b>Ref.</b>	<b>Part No.</b>	<b>Serial Number</b>	<b>Description</b>	<b>Qty.</b>
▽		384121	(000000-	) Kit, Alarm, Backup, 36Vdc 6200	1
▲	1	83254	(000000-	) Kit, Horn, Back-Up Alarm	1
▲	2	16931	(000000-	) Screw, Hex, M08-1.25 X 20, 8.8	2
▲	3	32491	(000000-	) Washer, Flat, .31 Hard	4
▲	4	08709	(000000-	) Nut, Hex, Lock, M08-1.25,NI	2

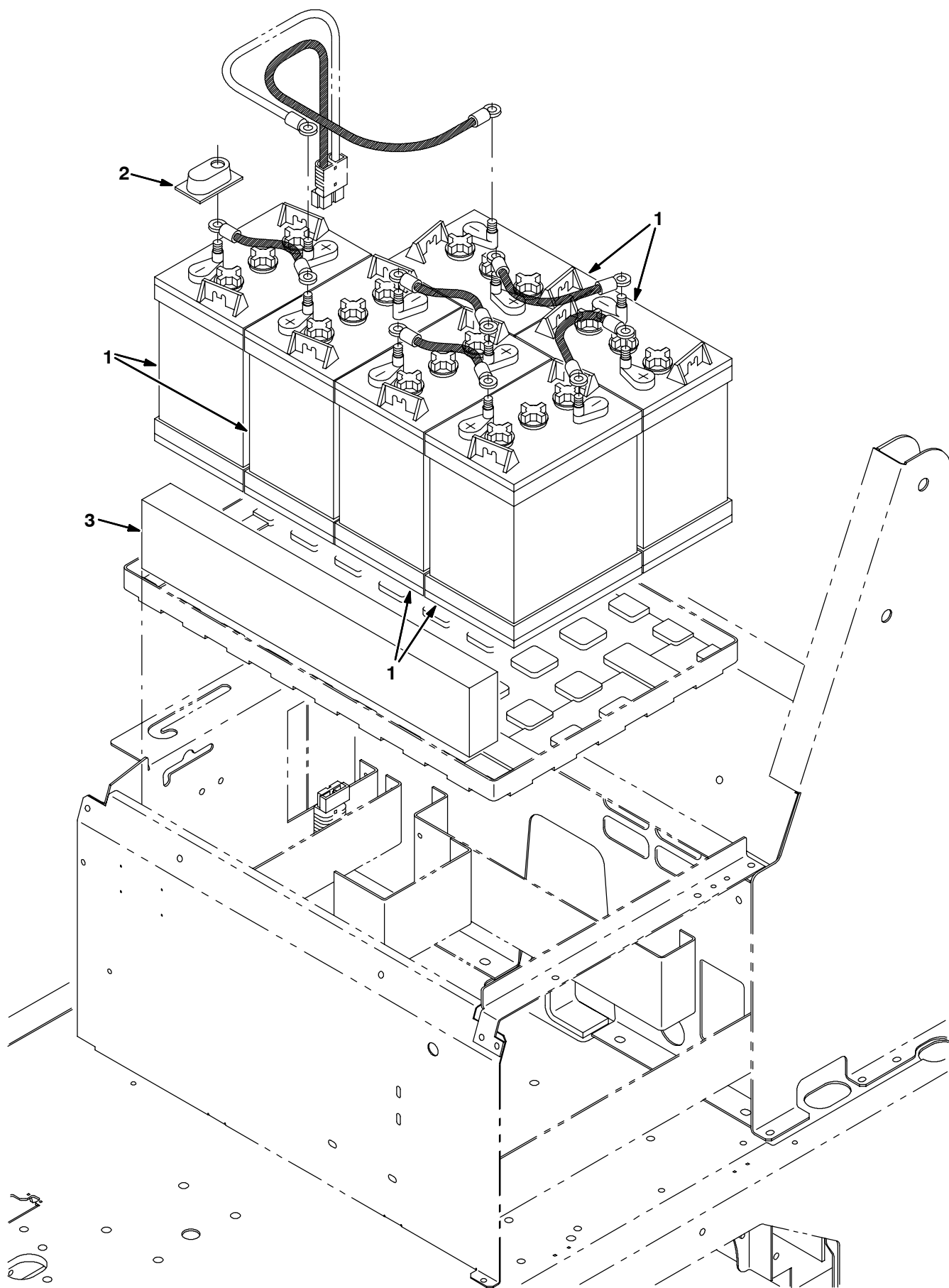
Fig. 17 - Battery Kit, Wet, 220AH



**Fig. 17 - Battery Kit, Wet, 220AH**

	<b>Ref.</b>	<b>Part No.</b>	<b>Serial Number</b>	<b>Description</b>	<b>Qty.</b>
▽		383948	(000000-	) Kit, Battery, 36V 220Ah Wet	1
▲	1	10155	(000000-	) Battery, 6V, Wet	6
▲	2	45962	(000000-	) Boot, Terminal	12
▲	3	223638	(000000-	) Spacer, Battery 2.25X4.75X26.0	1

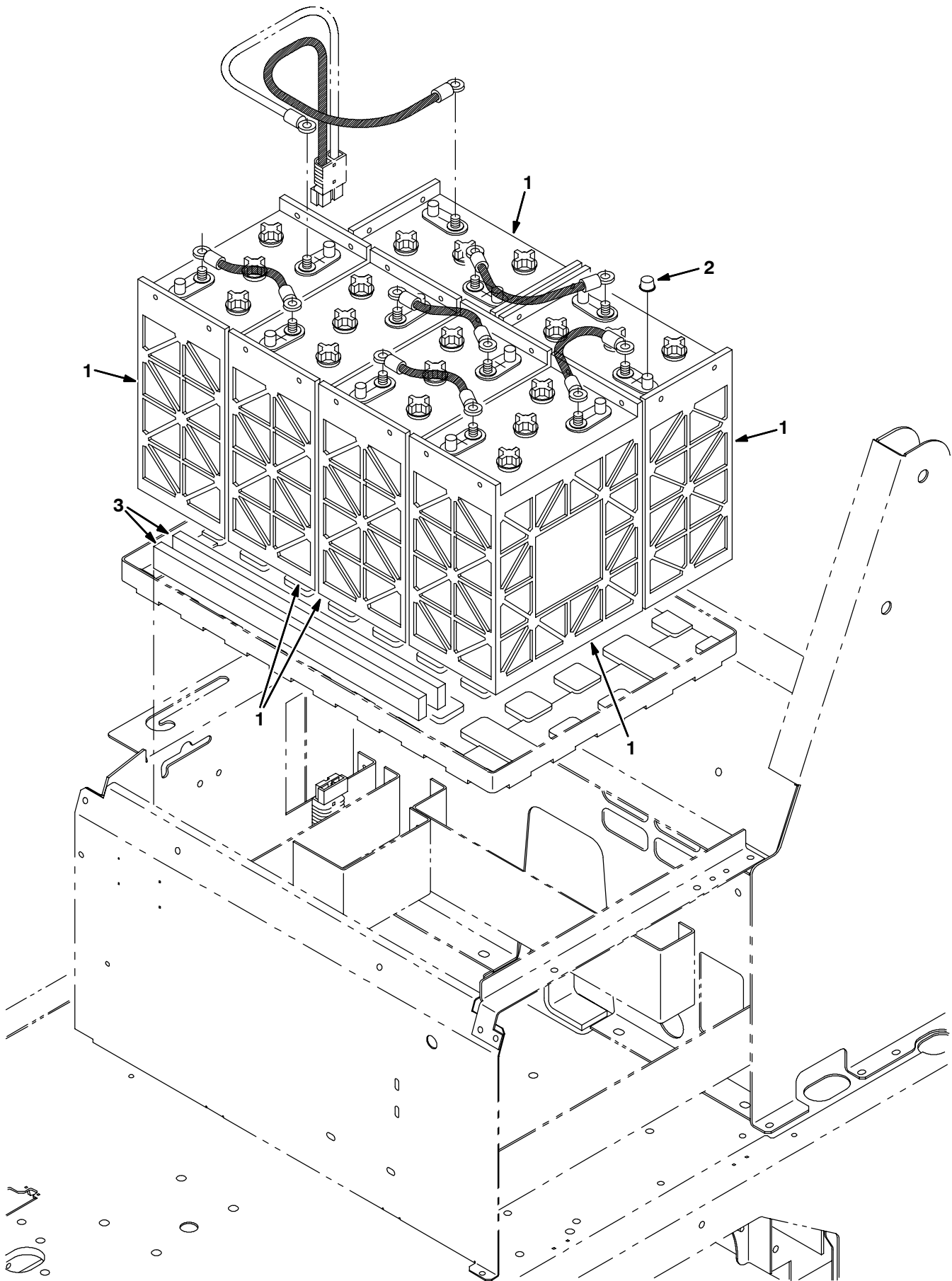
Fig. 18 - Battery Kit, Wet, 235AH



**Fig. 18 - Battery Kit, Wet, 235AH**

	<b>Ref.</b>	<b>Part No.</b>	<b>Serial Number</b>	<b>Description</b>	<b>Qty.</b>
▽		383951	(000000-	) Kit, Battery, 36V 235Ah Wet	1
▲	1	222280	(000000-	) Battery, 6V, Wet	6
▲	2	45962	(000000-	) Boot, Terminal	12
▲	3	223638	(000000-	) Spacer, Battery 2.25X4.75X26.0	1

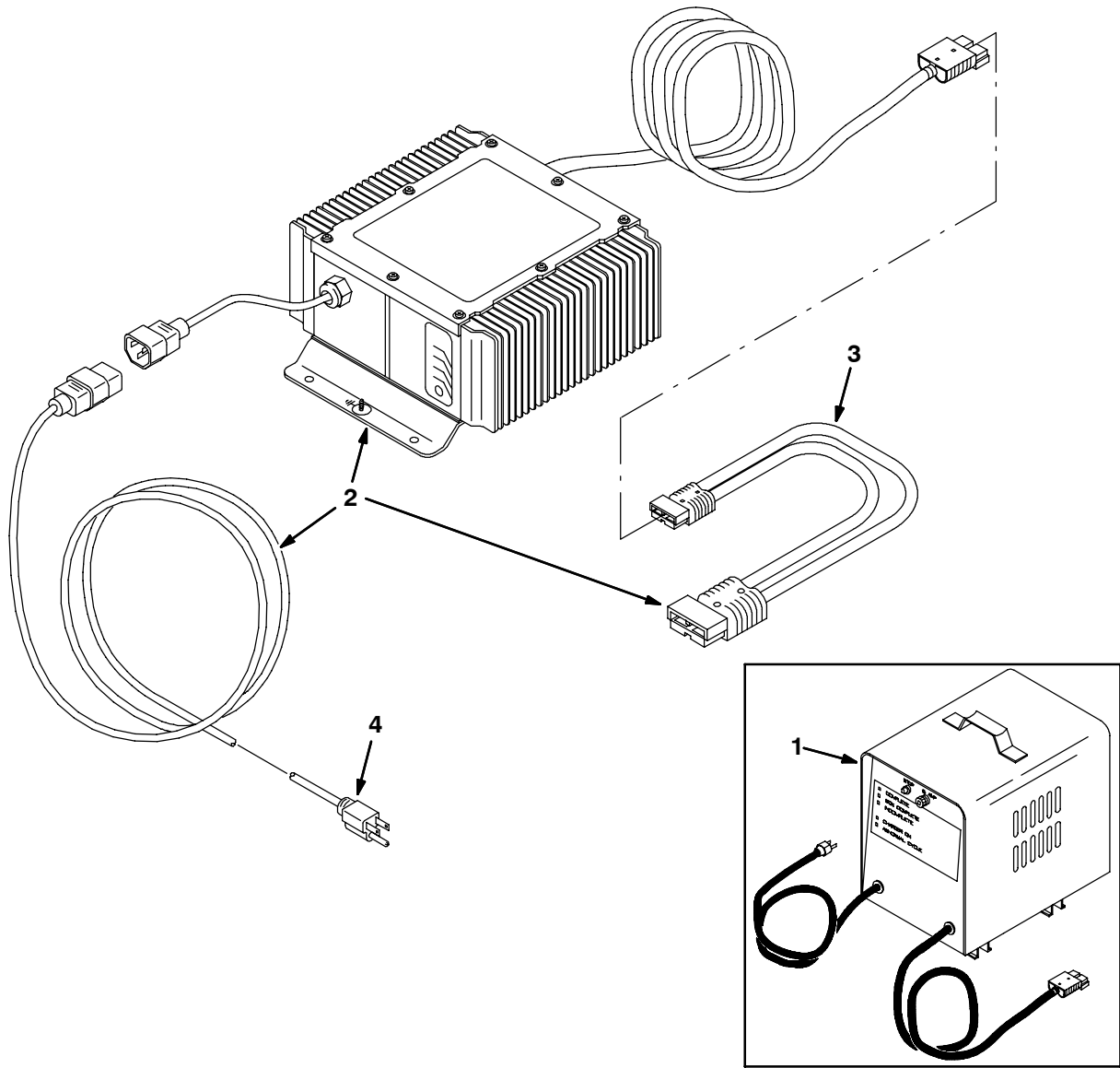
Fig. 19 - Battery Kit, Wet, 335AH



**Fig. 19 - Battery Kit, Wet, 335AH**

	<b>Ref.</b>	<b>Part No.</b>	<b>Serial Number</b>	<b>Description</b>	<b>Qty.</b>
▽		383955	(000000-	) Kit, Battery, 36V 335Ah Wet	1
▲	1	222846	(000000-	) Battery, 6V, Wet	6
▲	2	223641	(000000-	) Cap, Battery	6
▲	3	222473	(000000-	) Spacer	2

**Fig. 20 - Battery Charger Group**

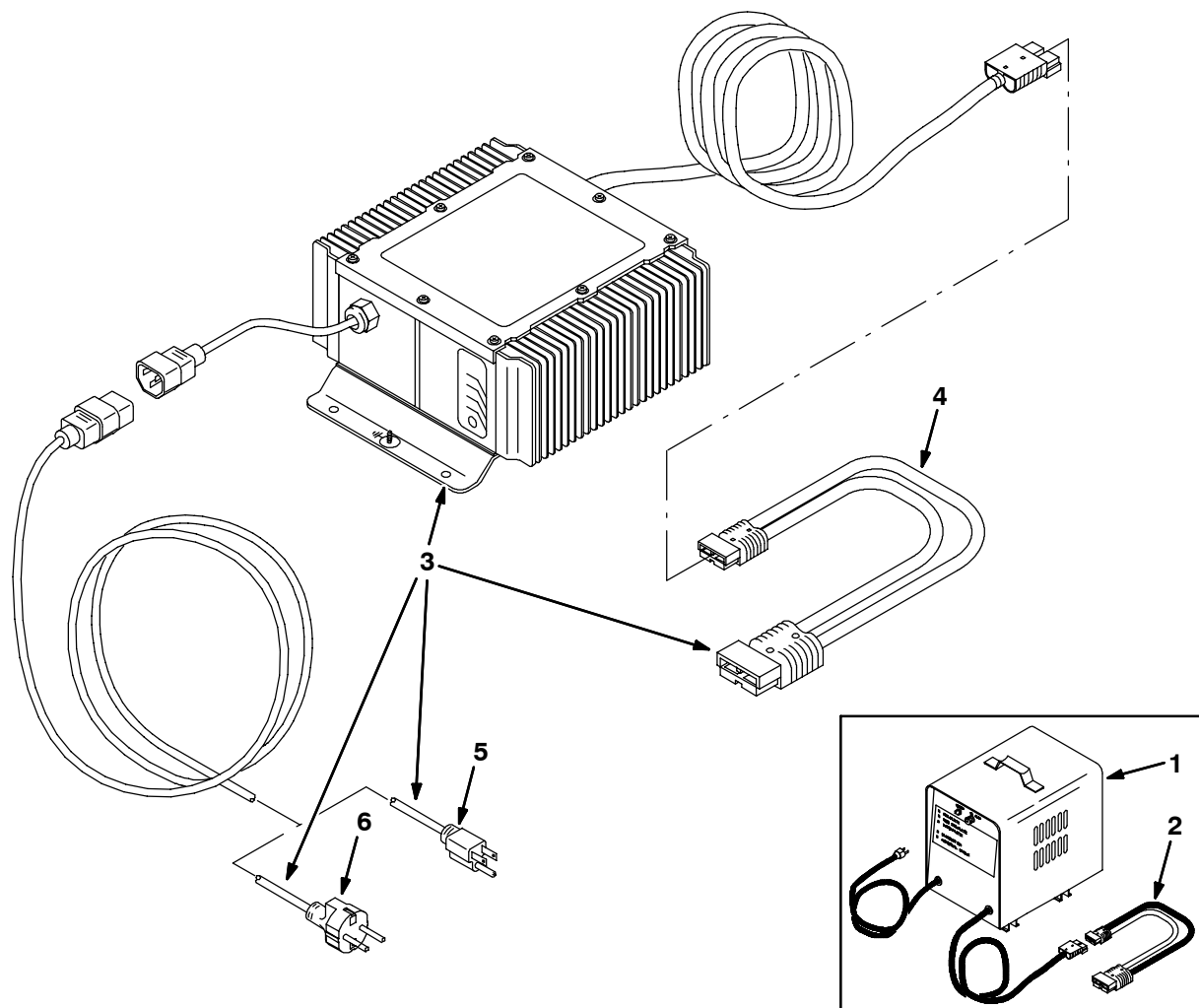


354318, 08080 - E, NA

Ref.	Part No.	Serial Number	Description	Qty.
1	223681	(000000- xxxxxx )	Charger, 36V/20A 60Hz/120V (See Breakdowns)	1
1	223683	(000000- xxxxxx )	Charger, 36V/30A 60Hz/120V (See Breakdowns)	1
▽	2	9001056	( xxxxxx- ) Charger Kit, 36vdc, Ci [Domestic/Export]	1
▲	3	223679	( xxxxxx- ) Cable Assy, 06ga Red / Blk, 050a /175a	1
▲	4	1017079	( xxxxxx- ) Cord, Extn, 16ga /3, 010ft [Sjt]	1



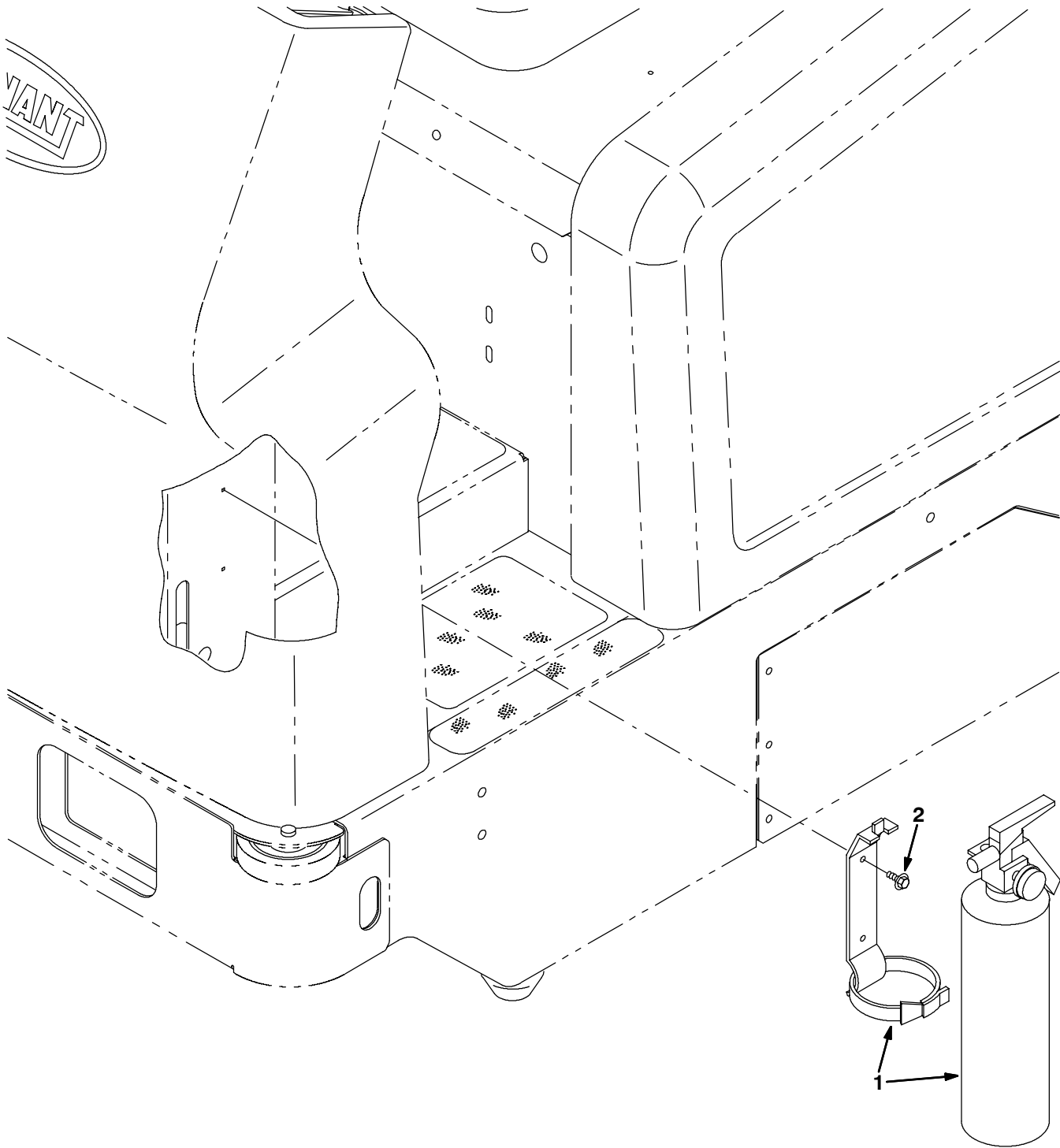
Fig. 21 - Battery Charger and Harness Group, International Only



354318, 350771 - E, NA

Ref.	Part No.	Serial Number	Description	Qty.
▽	223685	(000000- xxxxxx )	Charger Kit 36V/20A 50Hz/230V	1
▲	1 65540	(000000- xxxxxx )	Charger, 36V/20A 50H/ Ph 230V (See Breakdowns)	1
▲	2 223679	(000000- xxxxxx )	Harness, Charger Jumper	1
▽	223687	(000000- xxxxxx )	Charger Kit, 36V/20A 50Hz/245V	1
▲	1 65740	(000000- xxxxxx )	Charger, 36V/20A 50H/1Ph 245V (See Breakdowns)	1
▲	2 223679	(000000- xxxxxx )	Harness, Charger Jumper	1
▽	223689	(000000- xxxxxx )	Charger Kit 36V/30A 50Hz/230V	1
▲	1 222595	(000000- xxxxxx )	Charger, 36V/30A 50H/1Ph 230V (See Breakdowns)	1
▲	2 223679	(000000- xxxxxx )	Harness, Charger Jumper	1
▽	223691	(000000- xxxxxx )	Charger Kit, 36V/30A 50Hz/240V	1
▲	1 222691	(000000- xxxxxx )	Charger, 36V/30A 50H/1Ph 245V (See Breakdowns)	1
▲	2 223679	(000000- xxxxxx )	Harness, Charger Jumper	1
▽	3 9001061	( xxxxxx- )	Charger Kit, 36vdc, Ci[Export/Euro/Asia]	1
▲	4 223679	( xxxxxx- )	Cable Assy, 06ga Red / Blk, 050a /175a	1
▲	5 1019242	( xxxxxx- )	Cord, Chrgr, Ele [European]	1
▽	3 9001057	( xxxxxx- )	Charger Kit, 36Vdc 021A, 1Ph, Ci [TJ] (Japan Only)	1
▲	4 223679	( xxxxxx- )	Cable Assy, 06ga Red / Blk, 050a /175a	1
▲	6 1019426	( xxxxxx- )	Cord, Chrgr, Ele, Tj (Japan Only)	1

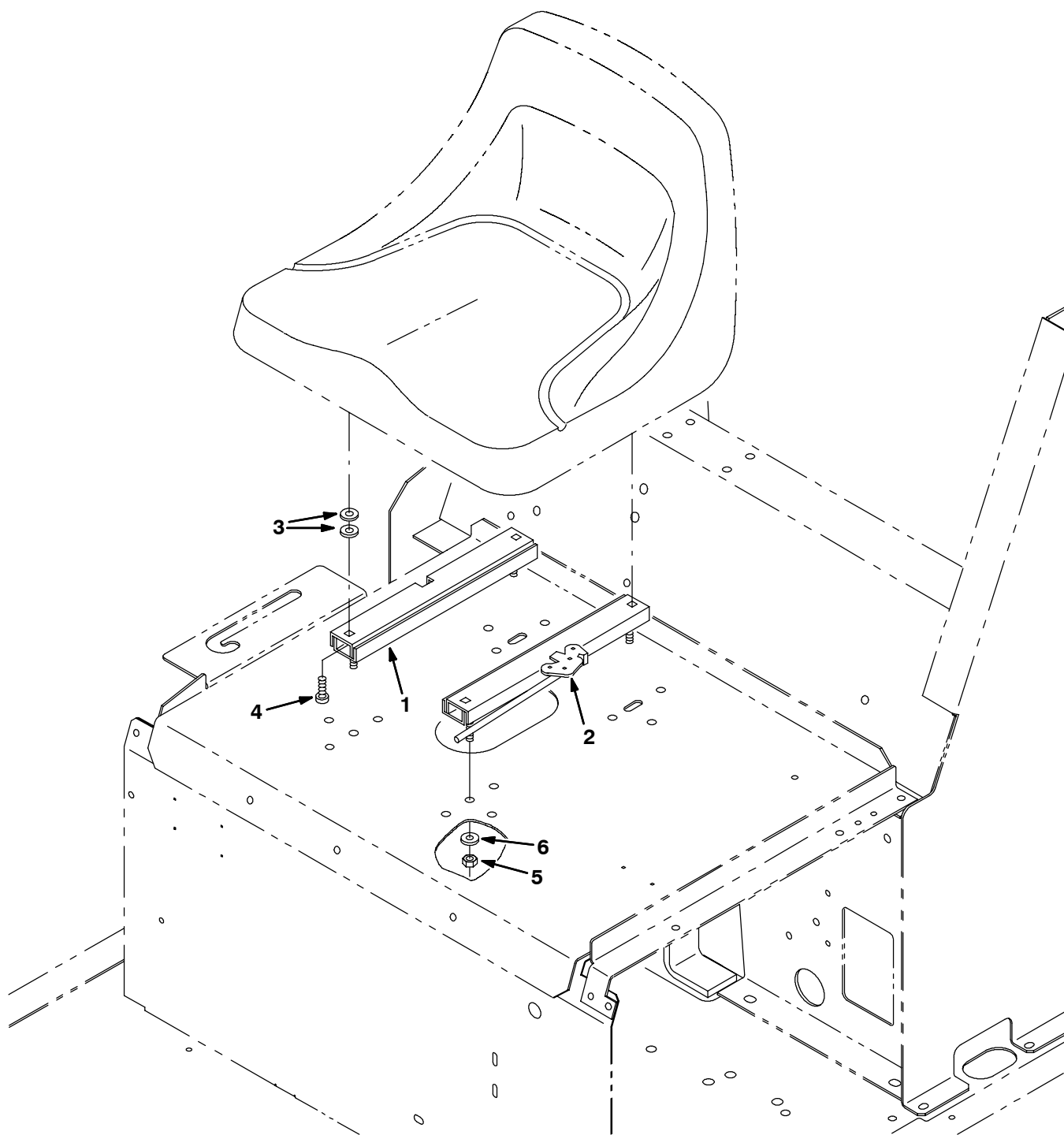
**Fig. 22 - Fire Extinguisher Kit**



352888 - NA

Ref.	Part No.	Serial Number	Description	Qty.
▽	384149	(000000-	) Kit, Extinguisher, Fire, 6200	1
▲	1 25312	(000000-	) Extinguisher, Fire	1
▲	2 223198	(000000-	) Screw, Hex	2

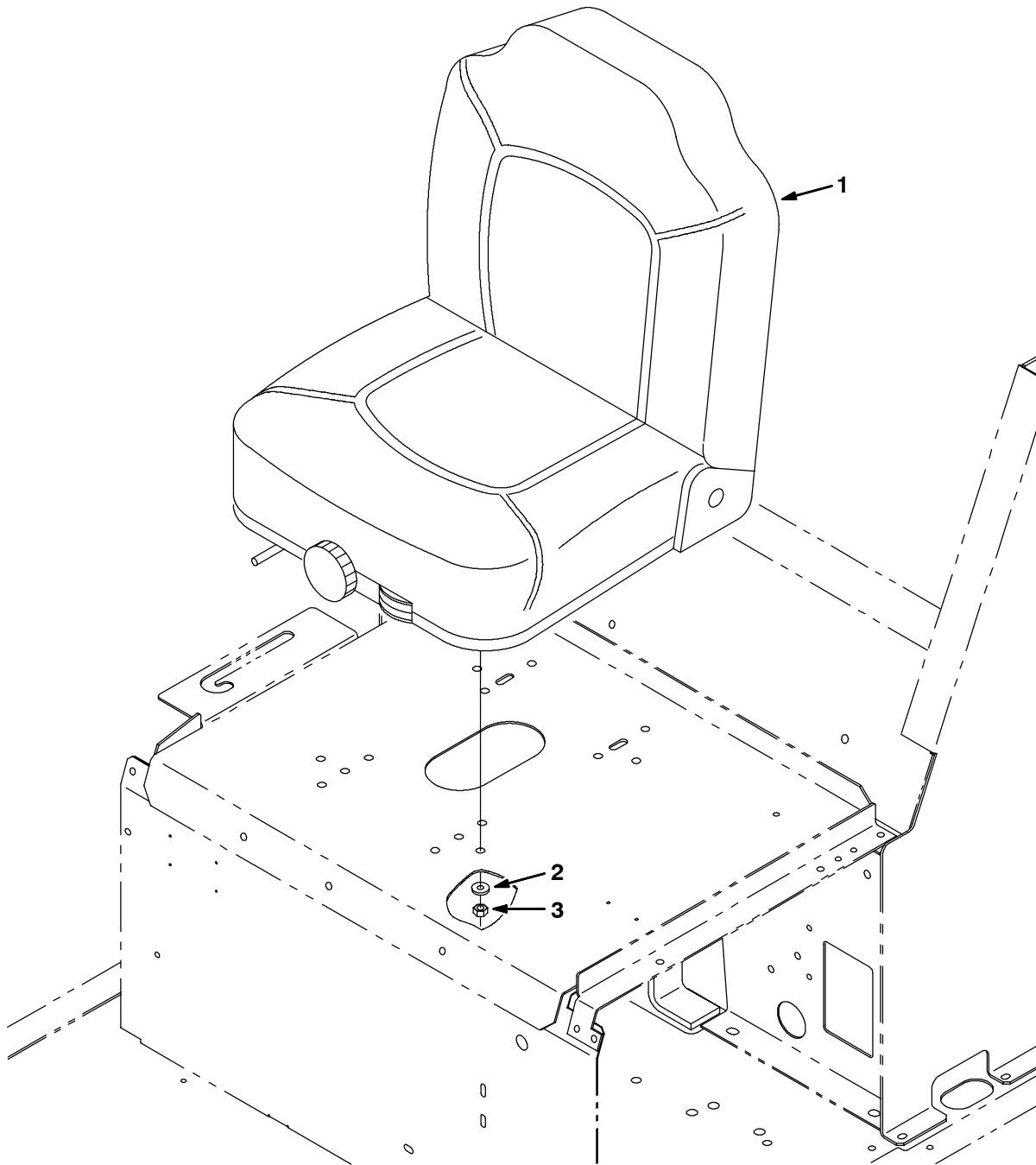
Fig. 23 - Seat Slide Kit



352890 - NA, CE

Ref.	Part No.	Serial Number	Description	Qty.
▽	383971	(000000-	) Kit, Rail, Slide, Seat	1
▲	1 360369	(000000-	) Rail	1
▲	2 360370	(000000-	) Rail	1
▲	3 69461	(000000-	) Washer	8
▲	4 25537	(000000-	) Screw, Pan, .31-18 X 0.75, G1	4
▲	5 32983	(000000-	) Nut, Hex, Lock, .31-18, NI	4
▲	6 32491	(000000-	) Washer, Flat, .31 Hard	4

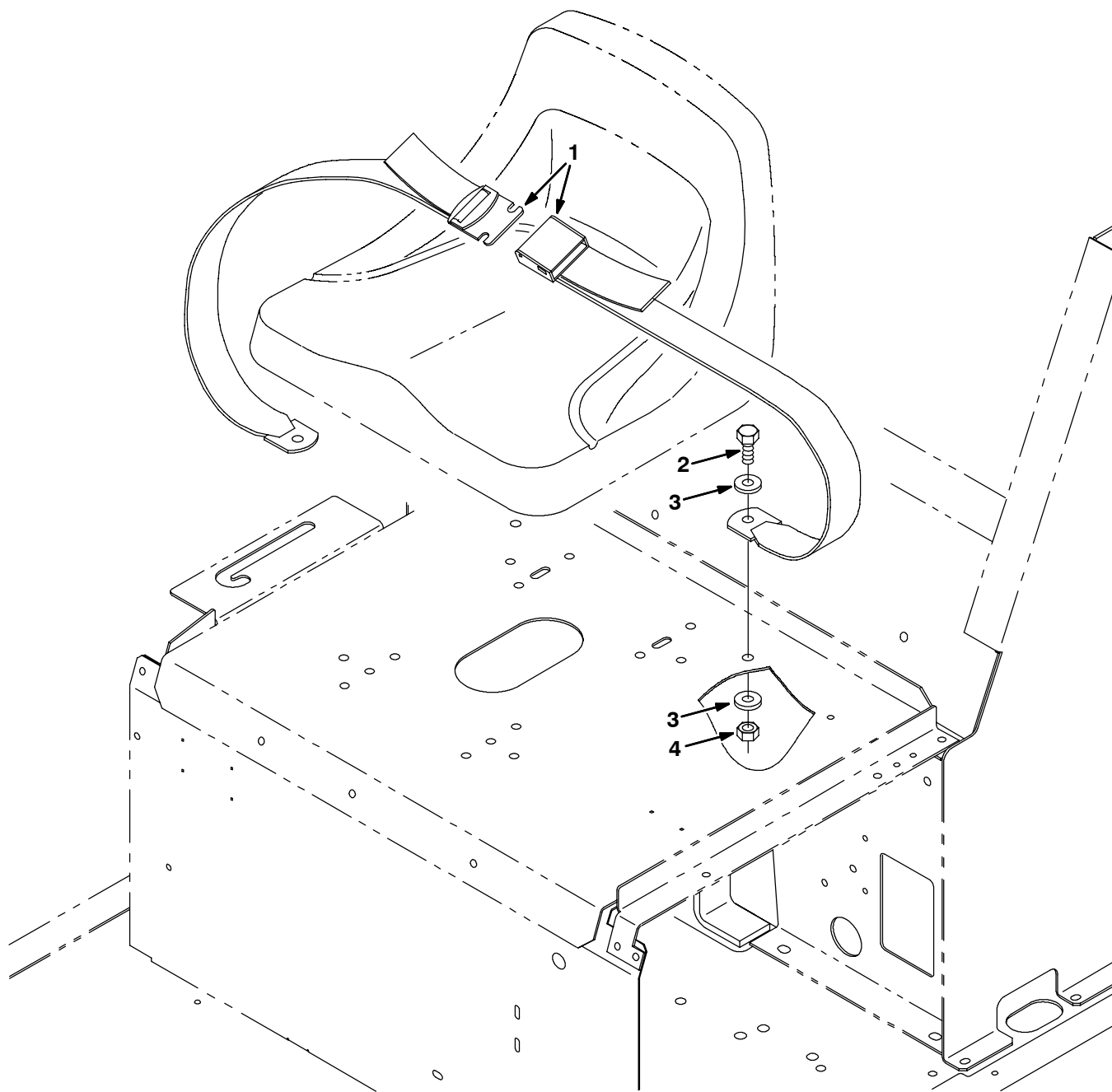
**Fig. 24 - Suspension Seat Kit**



352892 - NA, CE

Ref.	Part No.	Serial Number	Description	Qty.
▽	383969	(000000-	) Kit, Seat, Suspension	1
▲	1 223595	(000000-	) Seat, Suspension	1
▲	2 32491	(000000-	) Washer, Flat, .31 Hard	4
▲	3 32983	(000000-	) Nut, Hex, Lock, .31-18, NI	4

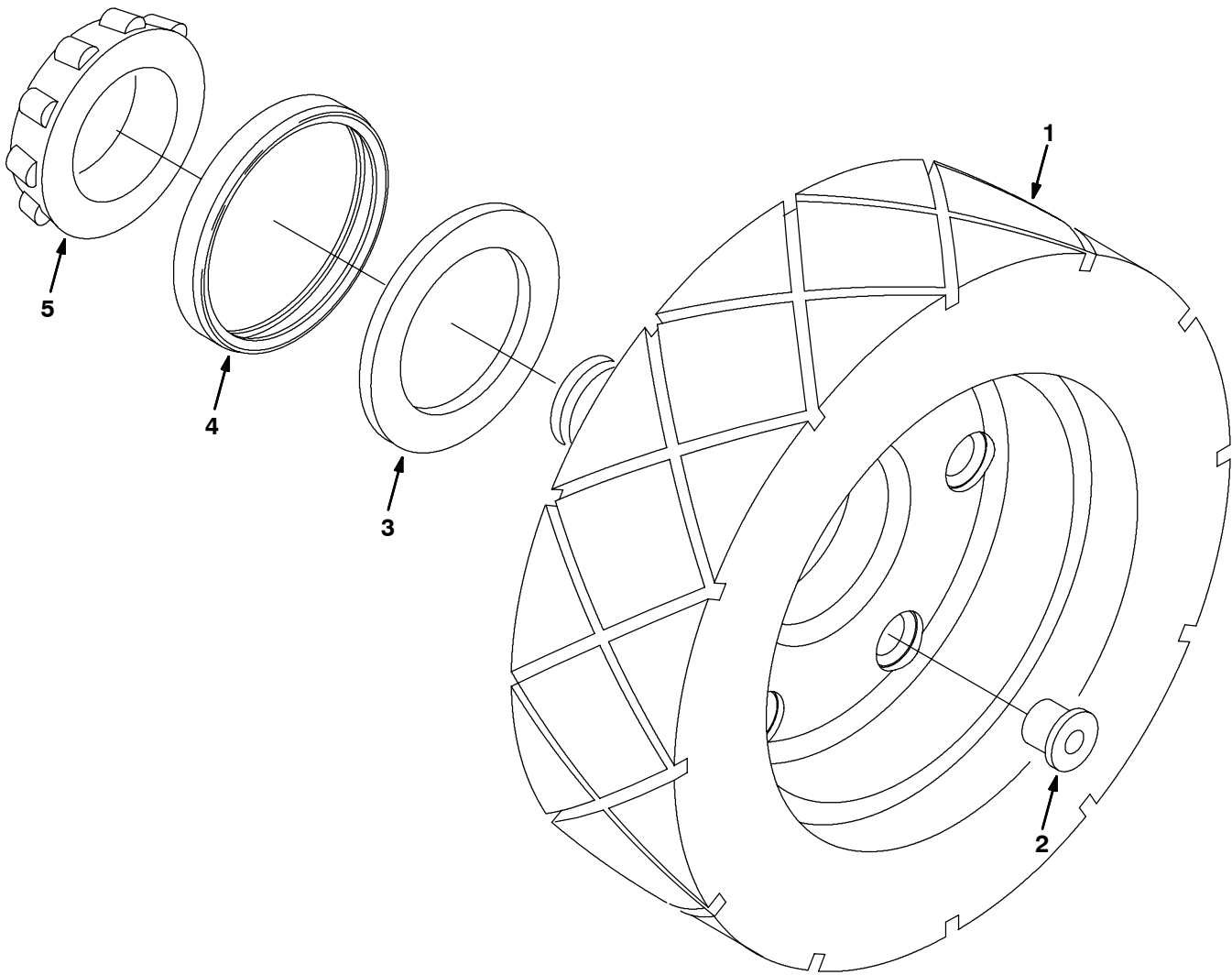
Fig. 25 - Seat Belt Kit



352912 - NA, CE

Ref.	Part No.	Serial Number	Description	Qty.
▽	384036	(000000-	) Seatbelt Kit 6200	1
▲	1 30533	(000000-	) Belt, Seat	1
▲	2 41345	(000000-	) Screw, Hex, M12-1.75 X 25, 8.8	2
▲	3 32486	(000000-	) Washer, Flat, .50 Sae	4
▲	4 08711	(000000-	) Nut, Hex, Lock, M12-1.75,NI	2

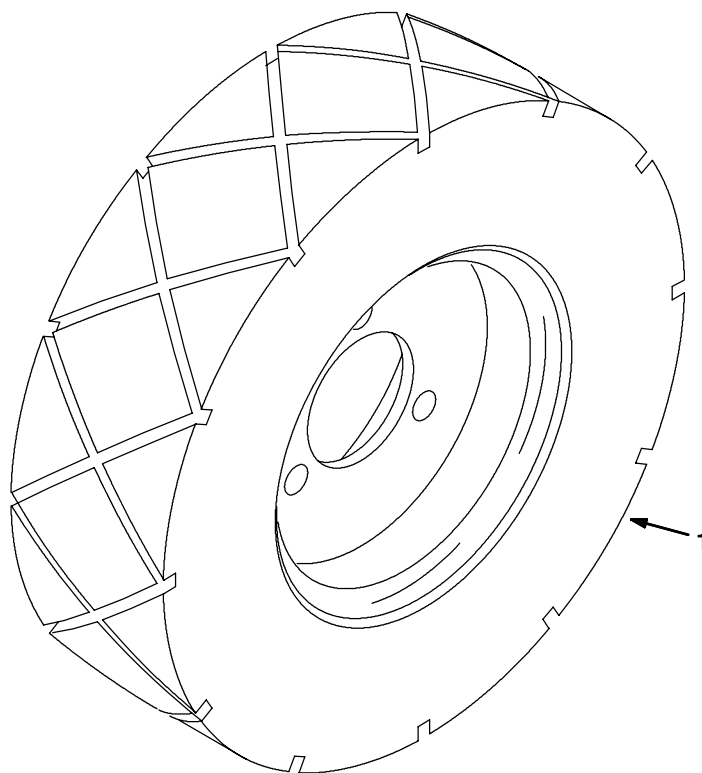
**Fig. 26 - Solid Non-Marking Tire Assembly, Front**



352894 - NA, CE

	<b>Ref.</b>	<b>Part No.</b>	<b>Serial Number</b>	<b>Description</b>	<b>Qty.</b>
▽		223559	(000000-	) Wheel Assy, Front	1
▲	1	1036685	(000000-	) Tire Assy, Solid, 12.0 X 4.0 2.3d Hub	1
▲	2	223181	(000000-	) Isolator	6
▲	3	223193	(000000-	) Washer	1
▲	4	223631	(000000-	) Seal	1
▲	5	223168	(000000-	) Bearing, Cone	1

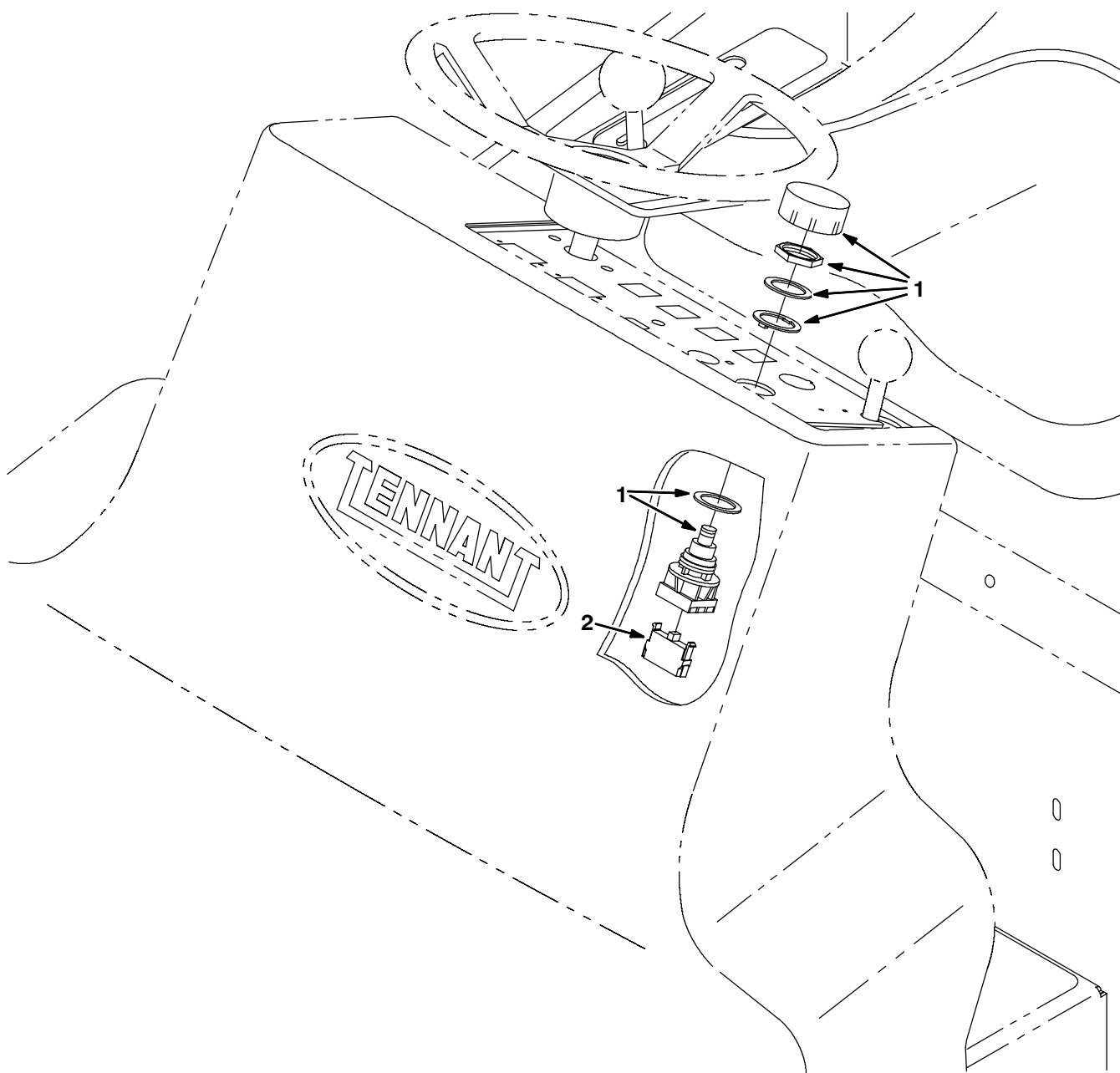
Fig. 27 - Solid Non-Marking Tire Assembly, Rear



352896 - NA, CE

Ref.	Part No.	Serial Number	Description	Qty.
1	1036256	(000000-	) Tire Assy, Solid, 12.0 X 3.5 3.5bc 3bolt	2

**Fig. 28 - Power Kill Switch Kit**



352910 - E, JP

Ref.	Part No.	Serial Number	Description	Qty.
▽	383967	(000000- )	Kit, Switch, Stop	1
▲	1 1053842	(003641- )	Switch, Safety, Shutoff	1
	1 78553	(000000-003640 )	Switch, Pushbutton	1
	2 65665	(000000-003640 )	Contact, Switch	1



**Fig. 29 - Documentation Group**

07501 - E, NA

<b>Ref.</b>	<b>Part No.</b>	<b>Serial Number</b>	<b>Description</b>	<b>Qty.</b>
	330410	(000000-	) Manual Pkg, 6200E	1
	330414	(000000-	) Manual Pkg, 6200E Jp	1
	330415	(000000-	) Manual, Service, 6200E	1
	1041855	(000000-	) Video, Oprtr, Dvd [6200]	1
	330412	(000000-	) Manual, Oprtr, 6200E Es Na	1
	330413	(000000-	) Manual, Oprtr, 6200E Fr Na	1



## SECTION 4

Contents	Page
Fig. 1 - Electric Motor Breakdown, 17363 . . . . .	4-2
Fig. 2 - Electric Motor Breakdown, 398520 . . . . .	4-2
Fig. 3 - Electric Motor Breakdown, 222409 . . . . .	4-6
Fig. 4 - Electric Motor Breakdown, 374201 . . . . .	4-7
Fig. 5 - Electric Motor Breakdown, 383709 . . . . .	4-8
Fig. 6 - Electric Motor Breakdown, 374267 . . . . .	4-9
Fig. 7 - Electric Motor Breakdown, 383699 . . . . .	4-10
Fig. 8 - Hydraulic Motor Breakdown, 383826 . . . . .	4-11
Fig. 9 - Battery Charger Breakdown, 60 Hz, 120V, 223681 . . . . .	4-12
Fig. 10 - Battery Charger Breakdown, 60 Hz, 120V, 223683 . . . . .	4-13
Fig. 11 - Battery Charger Breakdown, 50 Hz, 230V, 65540 . . . . .	4-14
Fig. 12 - Battery Charger Breakdown, 50 Hz, 245V, 65740 . . . . .	4-15
Fig. 13 - Battery Charger Breakdown, 50 Hz, 230V, 222595 . . . . .	4-16
Fig. 14 - Battery Charger Breakdown, 50 Hz, 245V, 222691 . . . . .	4-17
Fig. 15 - Drive Wheel Breakdown, 1033016 . . . . .	4-18

Fig. 1 - Electric Motor Breakdown, 17363

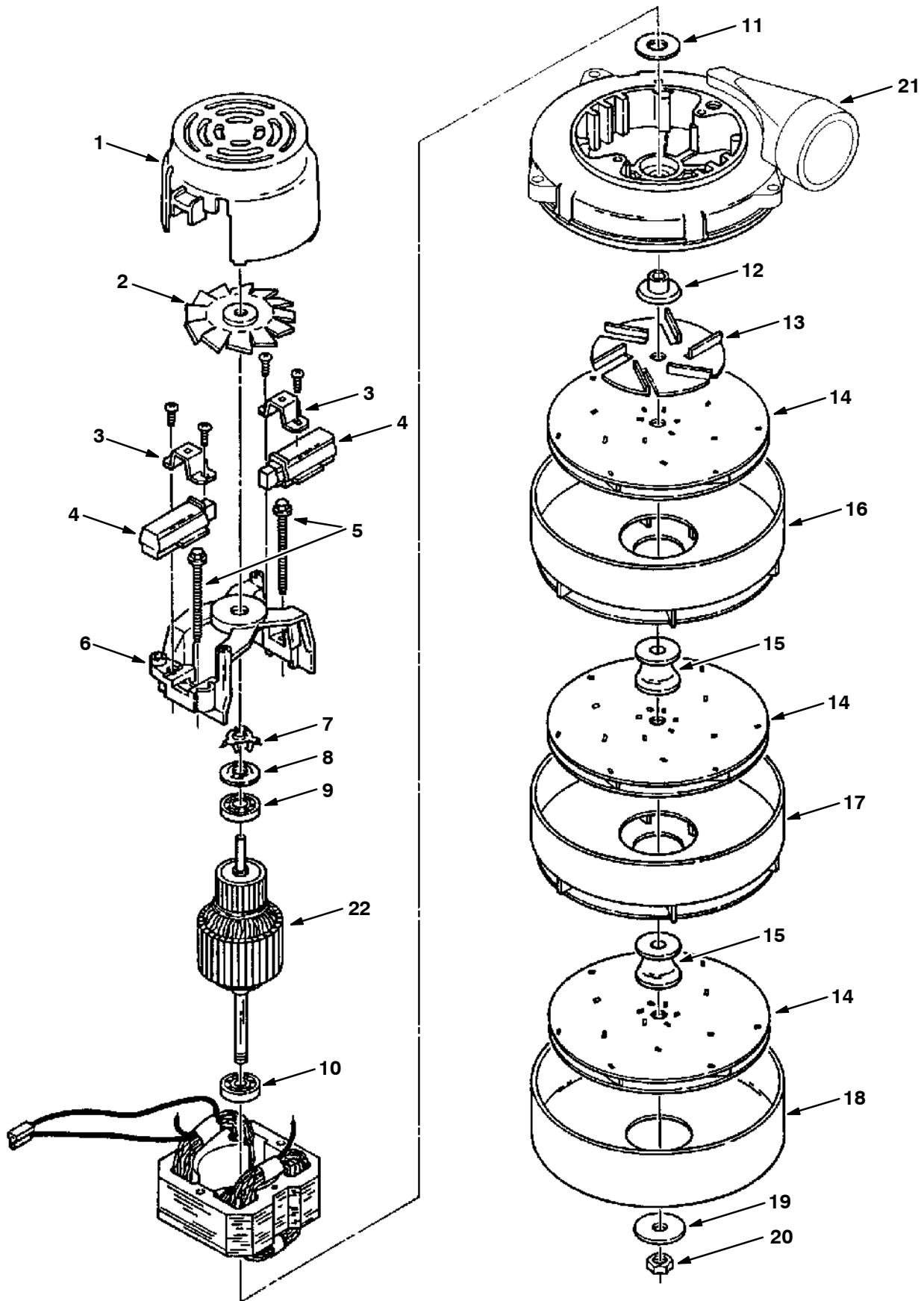


Fig. 1 - Electric Motor Breakdown, 17363

	Ref.	Part No.	Serial Number	Description	Qty.
▽		17363	(000000-	) Fan, Vacuum	1
▲	1	37926	(000000-	) Housing	1
▲	2	61298	(000000-	) Fan	1
▲	3	01982	(000000-	) Clamp	2
▲	4	11756	(000000-	) Brush Mechanism	2
▲	5	01969	(000000-	) Screw	2
▲	6	01983	(000000-	) Comm. Bracket	1
▲	7	01856	(000000-	) Spring	1
▲	8	37909	(000000-	) Disc	1
▲	9	01842	(000000-	) Bearing	1
▲	10	01837	(000000-	) Bearing	1
▲	11	37912	(000000-	) Washer, Neo.	1
▲	12	18627	(000000-	) Spacer	1
▲	13	01971	(000000-	) Fan	1
▲	14	18628	(000000-	) Vacuum Fan	3
▲	15	18630	(000000-	) Spacer	2
▲	16	61300	(000000-	) Stationary Fan	1
▲	17	61297	(000000-	) Stationary Fan	1
▲	18	61301	(000000-	) Shell	1
▲	19	378983	(000000-	) Washer	1
▲	20	37929	(000000-	) Nut	1
▲	21	60386	(000000-	) Bracket, Fan End	1
▲	22	21765	(000000-	) Armature	1
▲		223264	(000000-	) Seal, Fan	1
▲		10925	(000000-	) Connector, 2 Conductor	1
▲		10926	(000000-	) Terminal, Female	2

Fig. 2 - Electric Motor Breakdown, 398520

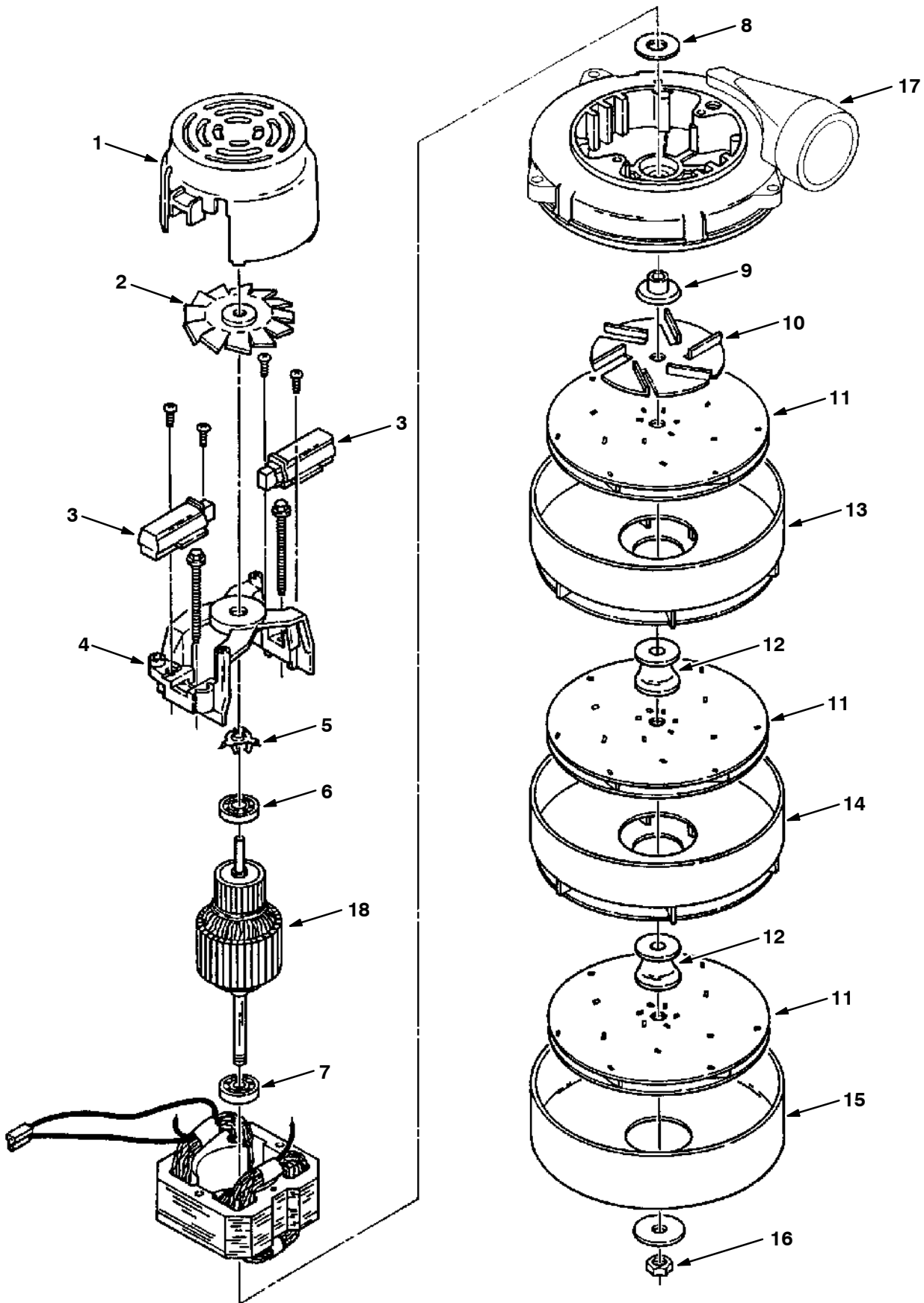
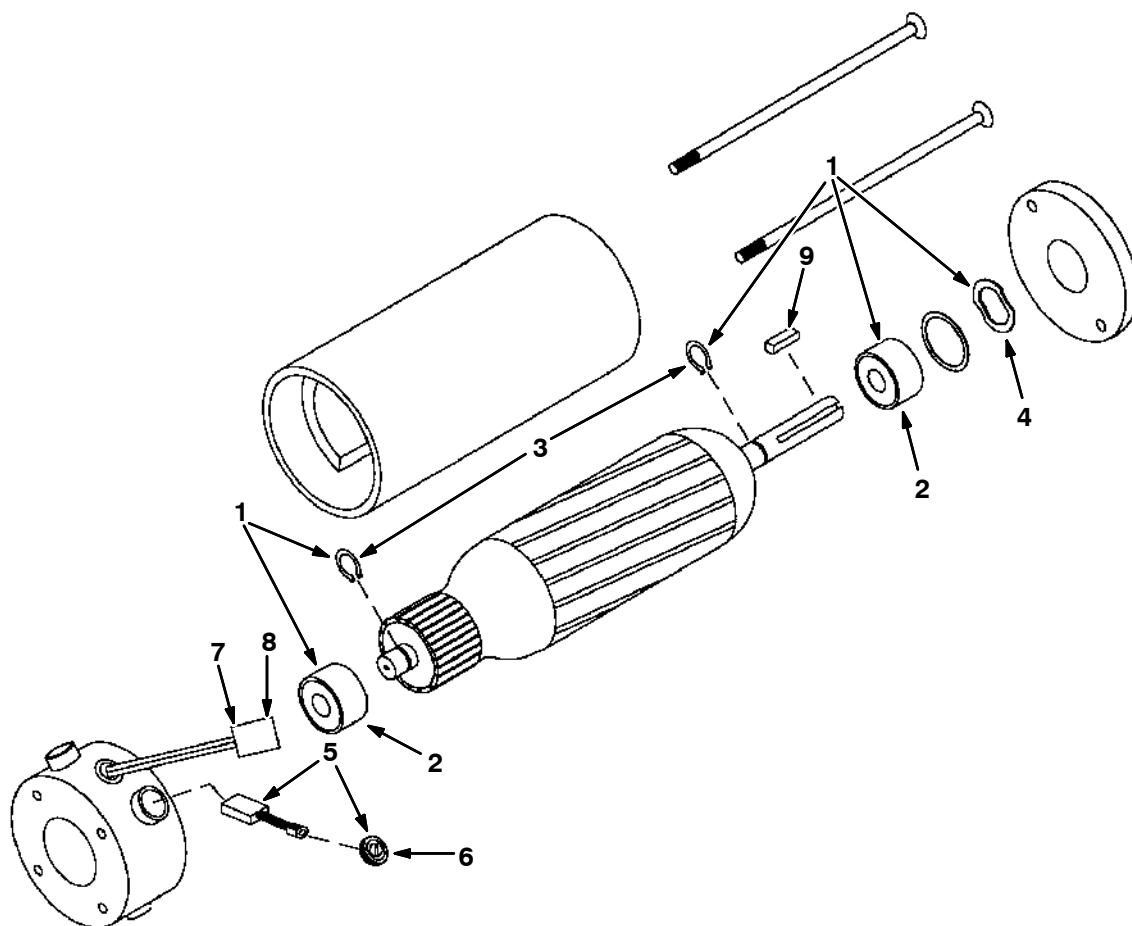


Fig. 2 - Electric Motor Breakdown, 398520

	Ref.	Part No.	Serial Number	Description	Qty.
▽		398520	(000000-	) Fan, Vacuum	1
▲	1	398511	(000000-	) Housing	1
▲	2	398512	(000000-	) Fan	1
▲	3	398513	(000000-	) Brush Mechanism	2
▲	4	398514	(000000-	) Comm. Bracket	1
▲	5	01856	(000000-	) Spring	1
▲	6	398515	(000000-	) Bearing	1
▲	7	01837	(000000-	) Bearing	1
▲	8	37912	(000000-	) Washer, Neo.	1
▲	9	398516	(000000-	) Spacer	1
▲	10	01971	(000000-	) Fan	1
▲	11	18628	(000000-	) Vacuum Fan	3
▲	12	398517	(000000-	) Spacer	2
▲	13	61300	(000000-	) Stationary Fan	1
▲	14	61297	(000000-	) Stationary Fan	1
▲	15	398518	(000000-	) Shell	1
▲	16	37929	(000000-	) Nut	1
▲	17	60386	(000000-	) Bracket, Fan End	1
▲	18	398519	(000000-	) Armature	1
▲		223264	(000000-	) Seal, Fan	1
▲		10925	(000000-	) Connector, 2 Conductor	1
▲		10926	(000000-	) Terminal, Female	2

Fig. 3 - Electric Motor Breakdown, 222409

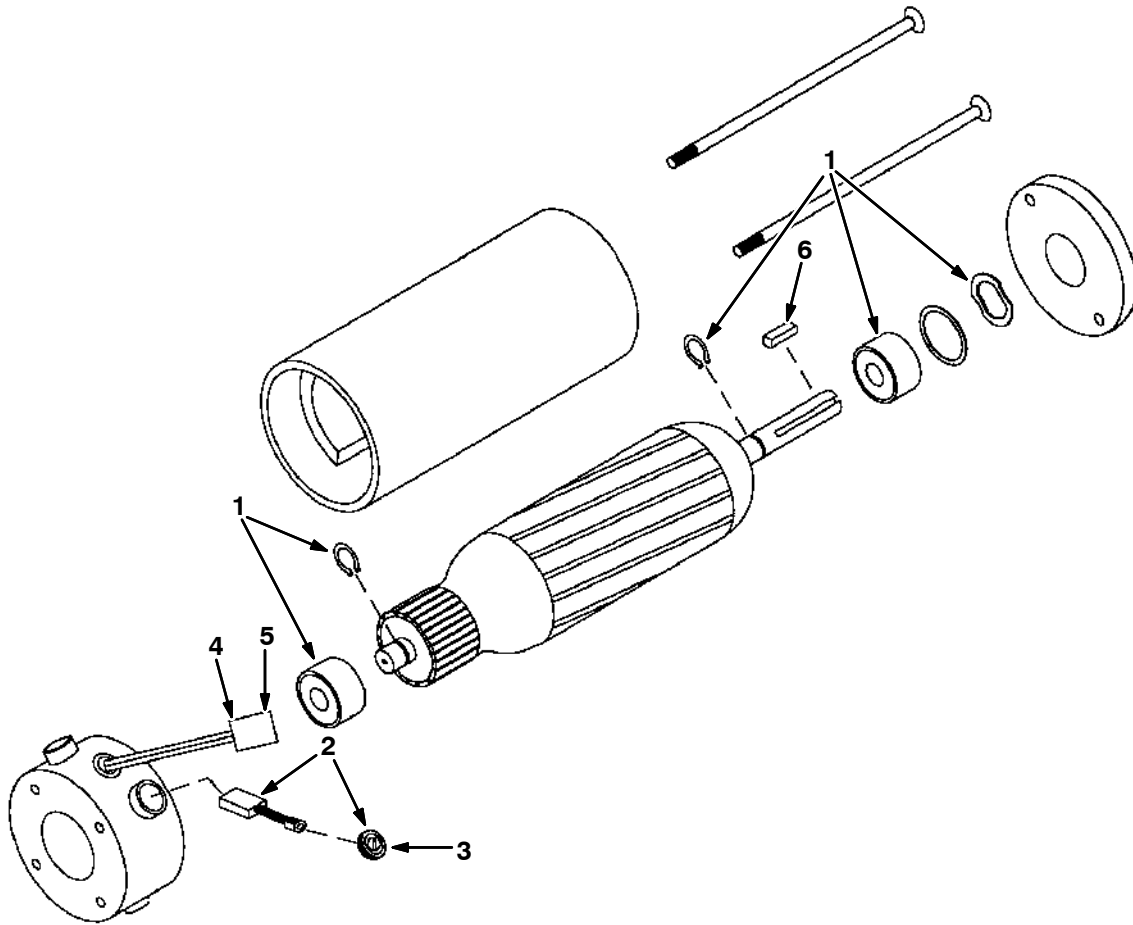


10426 - E

Ref.	Part No.	Serial Number	Description	Qty.
▽	222409	(000000- )	Motor, Ele, 36vdc, 0.75hp ( Replaced.by 374201)	1
▲▽	1 222623	(000000- )	Bearing Kit	1
▲▲	2 222635	(000000- )	Bearing	2
▲▲	3 222637	(000000- )	Snap Ring	2
▲▲	4 222638	(000000- )	Wavy Washer	1
▲▽	5 222625	(000000- )	Brush Kit	1
▲▲	6 222629	(000000- )	Brush Holder Cap	4
▲	7 10925	(000000- )	Connector, 2 Conductor	1
▲	8 24537	(000000- )	Terminal, Female	2
▲	9 00912	(000000- )	Key, Sq, 0.19 X 0.19, 1.00	1



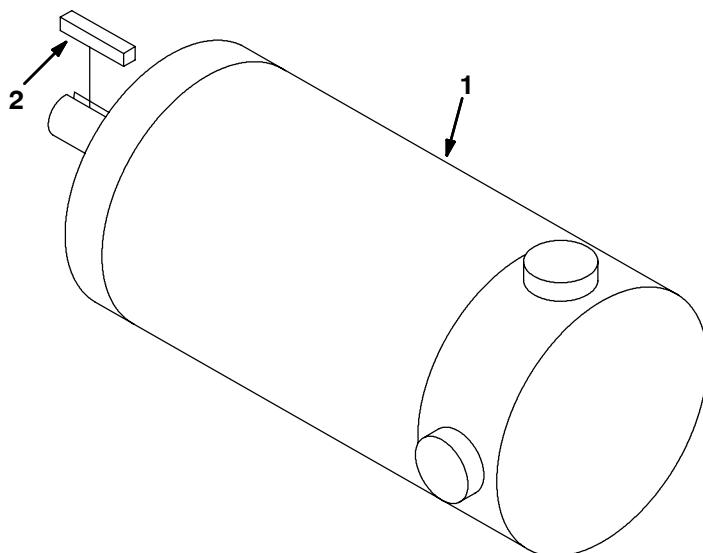
**Fig. 4 - Electric Motor Breakdown, 374201**



10426 - E

Ref.	Part No.	Serial Number	Description	Qty.
▽	374201	(000000-	) Motor, Ele, 36vdc 0.75hp 2500rpm	1
▲	1 375176	(000000-	) Bearing Kit, Motor, Ele,Hd	1
▲▽	2 222625	(000000-	) Brush Kit	1
▲▲	3 222629	(000000-	) Brush Holder Cap	4
▲	4 10925	(000000-	) Connector, 2 Conductor	1
▲	5 24537	(000000-	) Terminal, Female	2
▲	6 00912	(000000-	) Key, Sq, 0.19 X 0.19, 1.00l	1

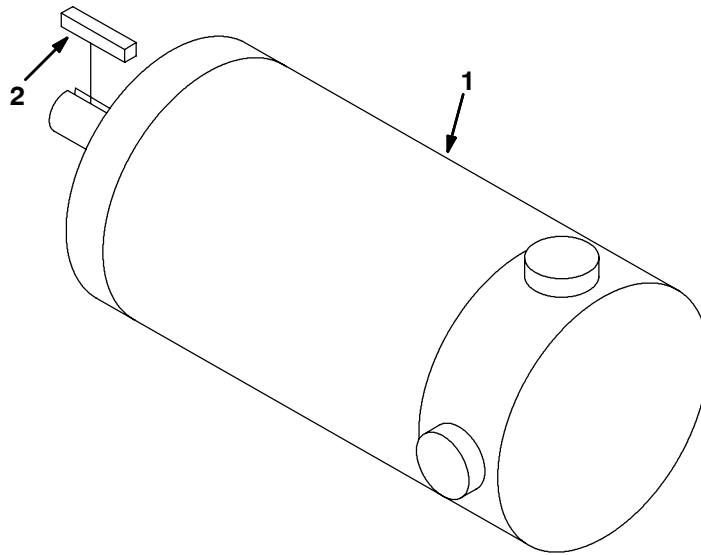
**Fig. 5 - Electric Motor Breakdown, 383709**



383107 - E

	<b>Ref.</b>	<b>Part No.</b>	<b>Serial Number</b>	<b>Description</b>	<b>Qty.</b>
▽	1	383709	(000000-	) Motor, Ele, 36vdc 0.90hp 1800rpm	1
▲		384256	(000000-	) Bearing	2
▲		222637	(000000-	) Snap Ring	2
▲		384257	(000000-	) Brush	2
▲		384258	(000000-	) Screw, 6-32	2
▲		384259	(000000-	) Spring, Retaining, Brush	2
▲	2	00912	(000000-	) Key, Sq, 0.19 X 0.19, 1.00l	1

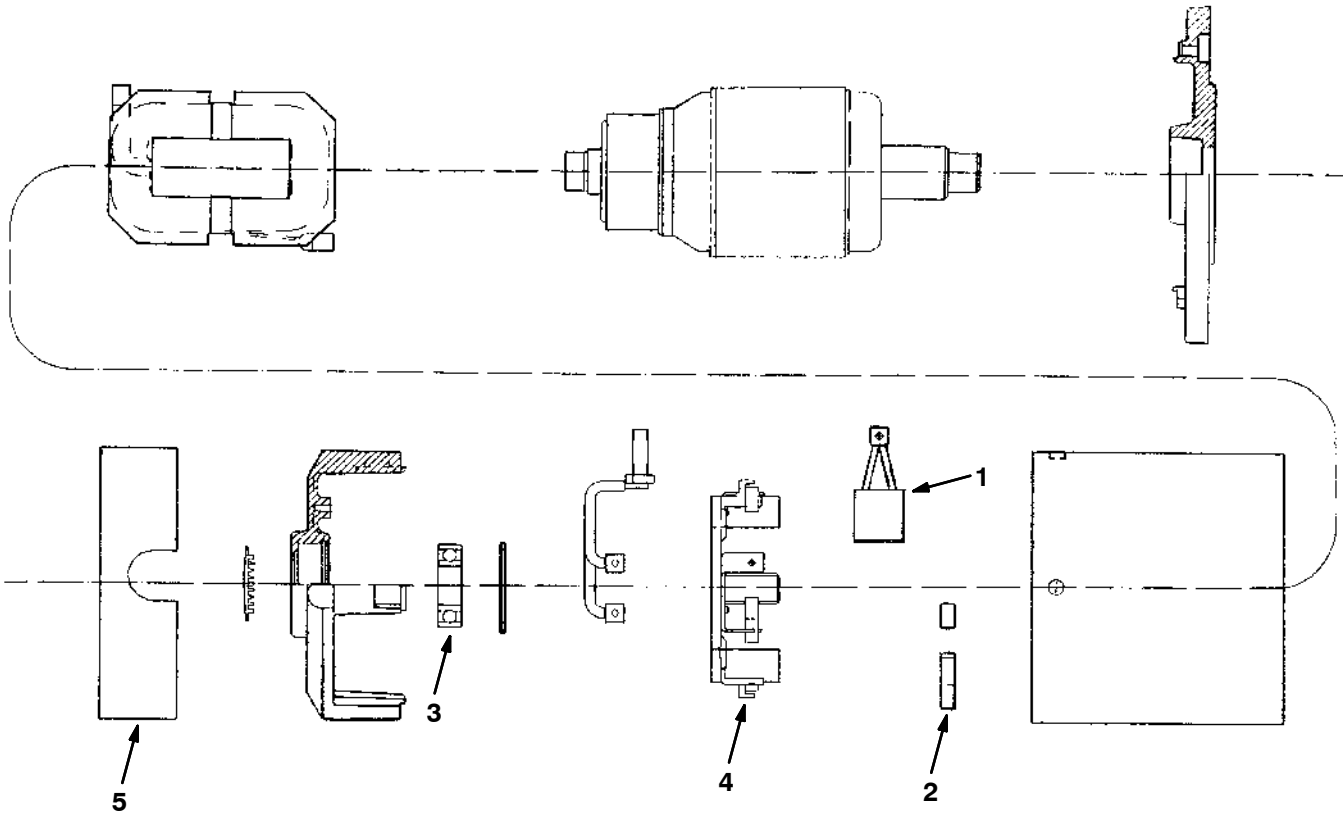
**Fig. 6 - Electric Motor Breakdown, 374267**



383107 - E

	<b>Ref.</b>	<b>Part No.</b>	<b>Serial Number</b>	<b>Description</b>	<b>Qty.</b>
∇	1	374267	(000000-	) Motor, Ele, 36vdc 0.90hp 1800rpm	1
▲		374272	(000000-	) Bearing Kit, Motor, Ele	1
▲		384257	(000000-	) Brush	2
▲		384258	(000000-	) Screw, 6-32	2
▲		384259	(000000-	) Spring, Retaining, Brush	2
▲	2	00912	(000000-	) Key, Sq, 0.19 X 0.19, 1.00l	1

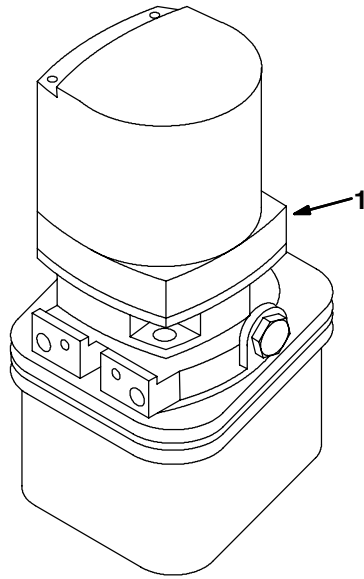
**Fig. 7 - Electric Motor Breakdown, 383699**



350786 - E

	<b>Ref.</b>	<b>Part No.</b>	<b>Serial Number</b>	<b>Description</b>	<b>Qty.</b>
▽		383699	(000000-	) Motor, Propel 1.5Hp 36Vdc	1
▲	1	385742	(000000-	) Brush <del>Kit</del> , Propelling Motor	<del>1</del> 4
▲	2	48755	(000000-	) Brush Spring	4
▲	3	48758	(000000-	) Bearing	1
▲	4	223677	(000000-	) Brush Plate	1
▲	5	223678	(000000-	) Headband	1

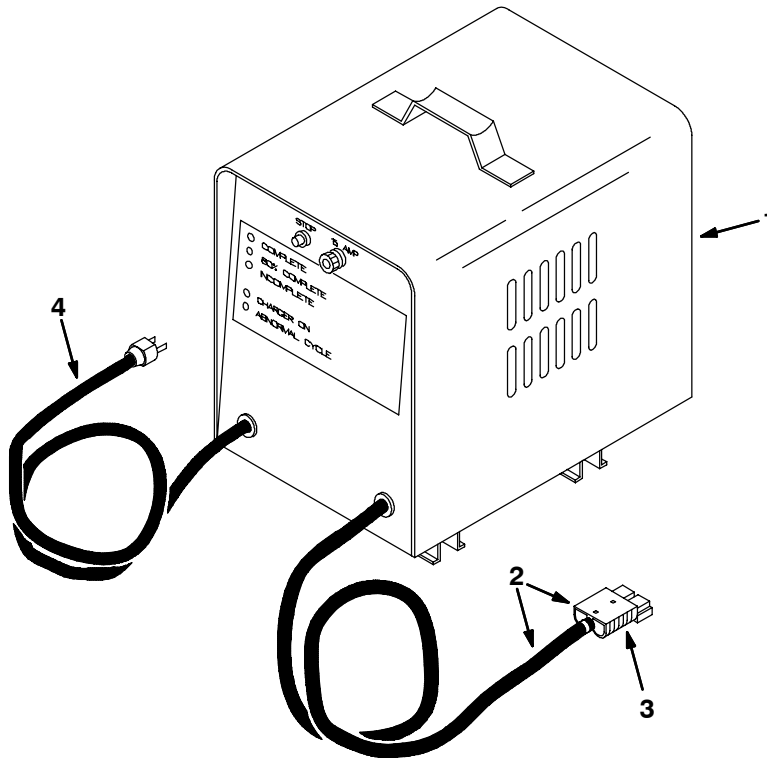
**Fig. 8 - Hydraulic Motor Breakdown, 383826**



352874 - E

	<b>Ref.</b>	<b>Part No.</b>	<b>Serial Number</b>	<b>Description</b>	<b>Qty.</b>
▽	1	383826	(000000-	) Kit, Pump Assy, Hyd, 36V	1
▲		384044	(000000-	) Coupling	1
▲		384045	(000000-	) Pump Assy	1
▲		384046	(000000-	) Reservoir Assy	1
▲		384047	(000000-	) Motor, 36V	1
▲		25831	(000000-	) Connector	1
▲		78954	(000000-	) Connector, Wire Lock	1
▲		25836	(000000-	) Terminal, Metripk Female 10ga	3
▲		25829	(000000-	) Seal, Metripk Plug	3
▲		374189	(000000-	) Cap, Reservoir, Pump, Hyd	1

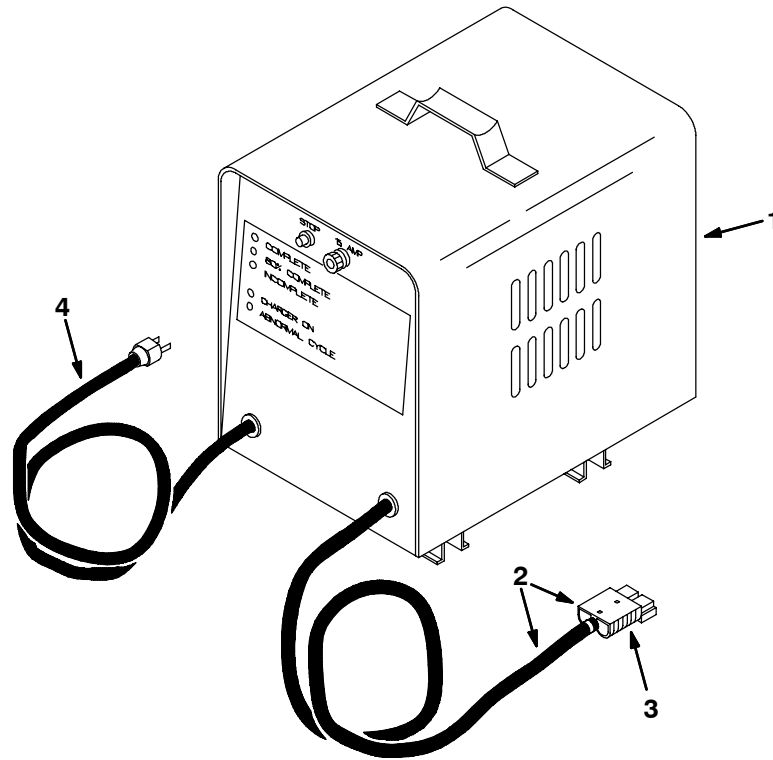
**Fig. 9 - Battery Charger Breakdown, 60 Hz, 120V, 223681**



08080 - E

	Ref.	Part No.	Serial Number	Description	Qty.
▽	1	223681	(000000-	) Charger, 36V/20A 60Hz/120V	1
▲▽	2	223349	(000000-	) Cord Assy D. C.	1
▲▲	3	22892	(000000-	) Connector, Grey, SB175	1
▲	4	223345	(000000-	) Cord Assy A.C.	1
▲		374017	(000000-	) Circuit Break 15A	1
▲		65954	(000000-	) Circuit Breaker	1
▲		374018	(000000-	) Control Circuit	1
▲		223347	(000000-	) Rectifier Assy	2
▲		374022	(000000-	) Rectifier Scr 20A	2
▲		21776	(000000-	) Strain Relief, D.C.	1
▲		21775	(000000-	) Relief, Strain A/C	1
▲		374023	(000000-	) Switch, Red Stop	1
▲		65630	(000000-	) Varistor	1

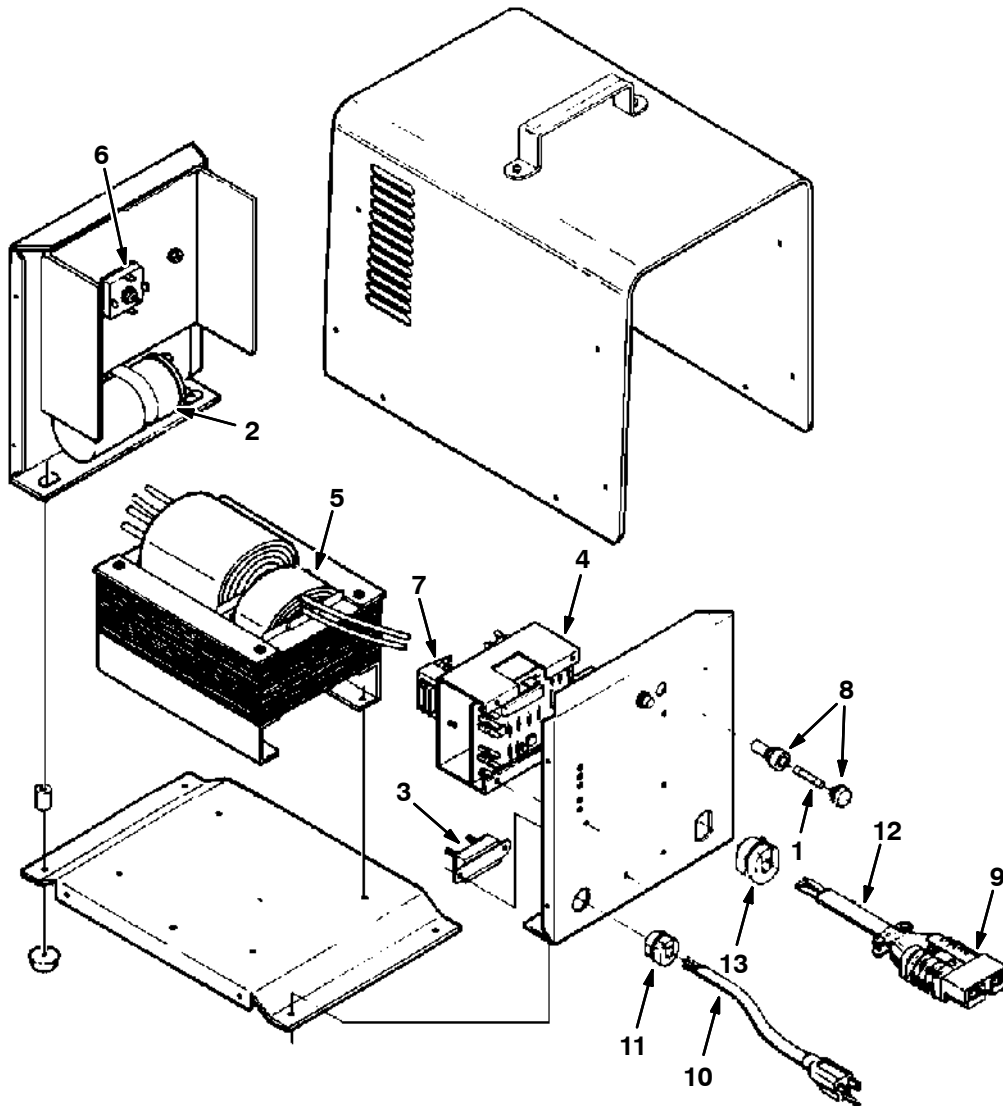
**Fig. 10 - Battery Charger Breakdown, 60 Hz, 120V, 223683**



08080 - E

	Ref.	Part No.	Serial Number	Description	Qty.
▽	1	223683	(000000-	) Charger, 36V/30A 60Hz/120V	1
▲▽	2	223341	(000000-	) Cord Assy D. C.	1
▲▲	3	22892	(000000-	) Connector, Grey, SB175	1
▲	4	223342	(000000-	) Cord Assy A.C.	1
▲		223344	(000000-	) Circuit Break 20Amp	1
▲		65954	(000000-	) Circuit Breaker	1
▲		374027	(000000-	) Control Circuit. 36V30A	1
▲		374029	(000000-	) Rectifier Assy	2
▲		21776	(000000-	) Strain Relief, D.C.	1
▲		21775	(000000-	) Relief, Strain A/C	1
▲		374023	(000000-	) Switch, Red Stop	1
▲		65630	(000000-	) Varistor	1

Fig. 11 - Battery Charger Breakdown, 50 Hz, 230V, 65540

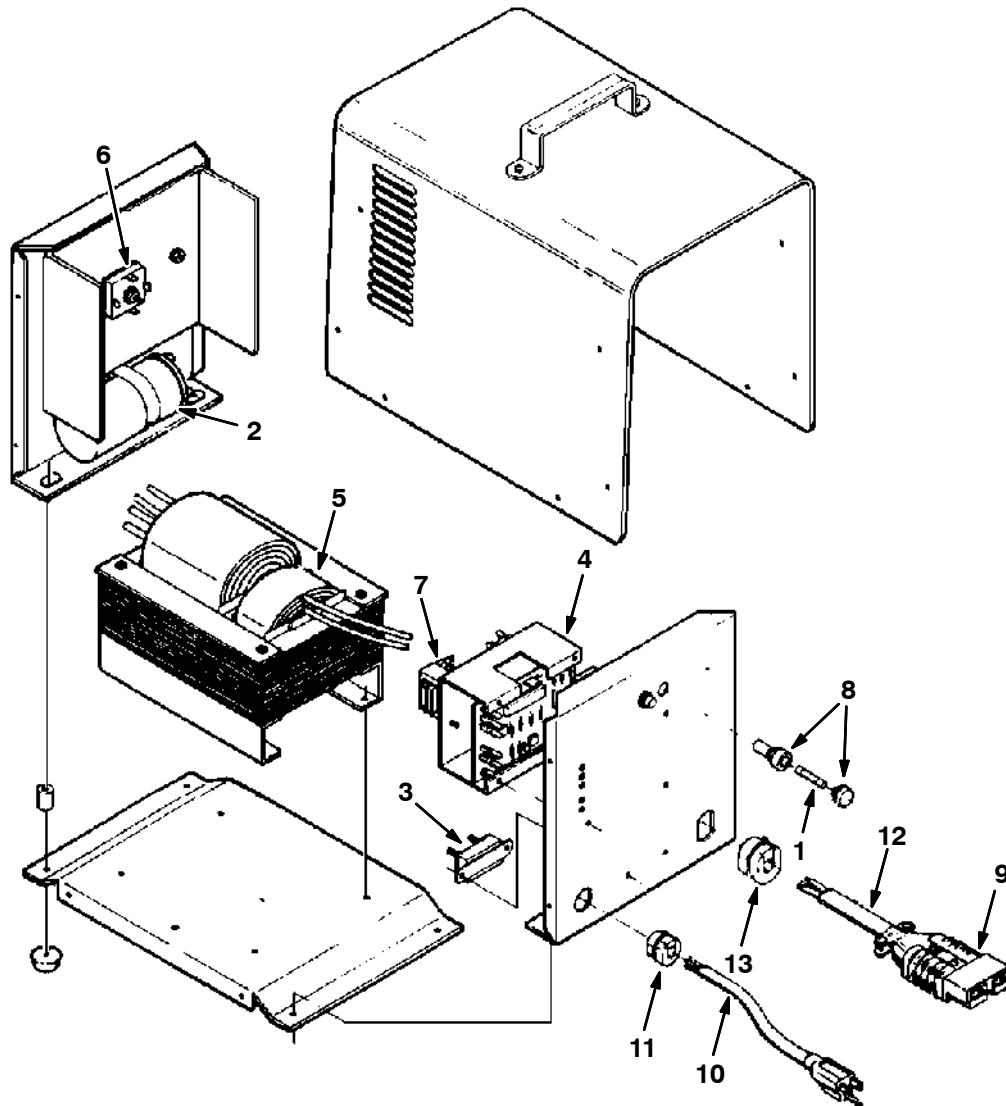


10262 - E

Ref.	Part No.	Serial Number	Description	Qty.	
▽	65540	(000000-	) Charger, 36V/20A 50H/ Ph 230V	1	
▲	1	65632	(000000-	) Fuse, A.C. 10 Amp	1
▲	2	65958	(000000-	) Condenser	1
▲	3	65954	(000000-	) Circuit Breaker	1
▲	4	65620	(000000-	) Control Assy	1
▲	5	65634	(000000-	) Transformer, Power	1
▲	6	61837	(000000-	) Bridge Rectifier Kit	1
▲	7	65959	(000000-	) Control Transformer	1
▲	8	30058	(000000-	) Holder, Fuse Ac	1
▲	9	130155	(000000-	) Connector, Battery, 6ga 50a, Gray[2cont]	1
▲	10	21770	(000000-	) A.C.Cord Set W/Plug	1
▲	11	21775	(000000-	) A.C.Strain Relief	1
▲	12	21772	(000000-	) D.C.Cord Set Wo/Plug	1
▲	13	21776	(000000-	) D.C.Strain Relief	1



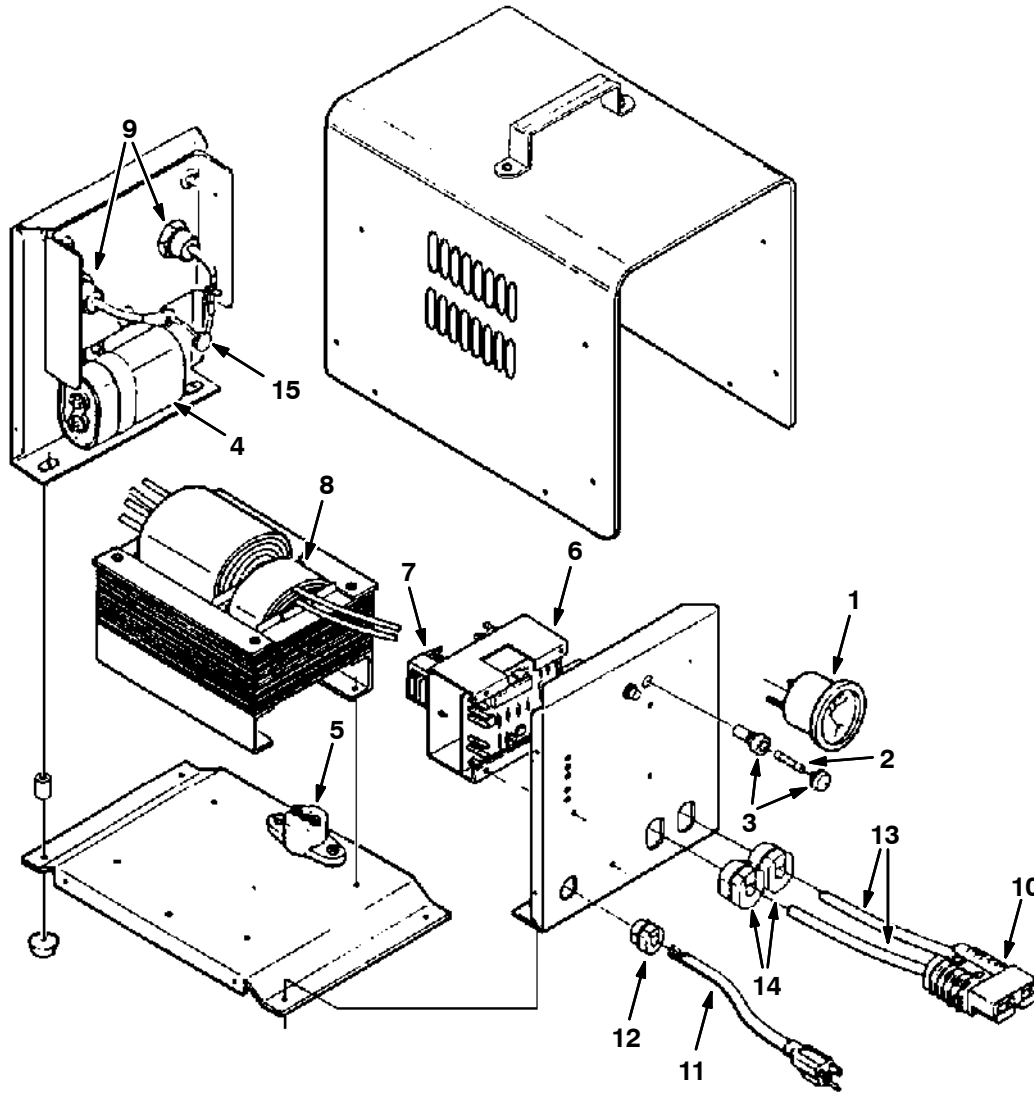
**Fig. 12 - Battery Charger Breakdown, 50 Hz, 245V, 65740**



10262 - E

	<b>Ref.</b>	<b>Part No.</b>	<b>Serial Number</b>	<b>Description</b>	<b>Qty.</b>
▽		65740	(000000-	) Charger, 36V/20A 50H/1Ph 245V	1
▲	1	65632	(000000-	) Fuse, A.C. 10 Amp	1
▲	2	65958	(000000-	) Condenser	1
▲	3	65954	(000000-	) Circuit Breaker	1
▲	4	65620	(000000-	) Control Assy	1
▲	5	65724	(000000-	) Power Tran	1
▲	6	61837	(000000-	) Bridge Rectifier Kit	1
▲	7	65959	(000000-	) Control Transformer	1
▲	8	30058	(000000-	) Holder, Fuse Ac	1
▲	9	130155	(000000-	) Connector, Battery, 6ga 50a, Gray[2cont]	1
▲	10	21770	(000000-	) A.C.Cord Set W/Plug	1
▲	11	21775	(000000-	) A.C.Strain Relief	1
▲	12	21772	(000000-	) D.C.Cord Set Wo/Plug	1
▲	13	21776	(000000-	) D.C.Strain Relief	1

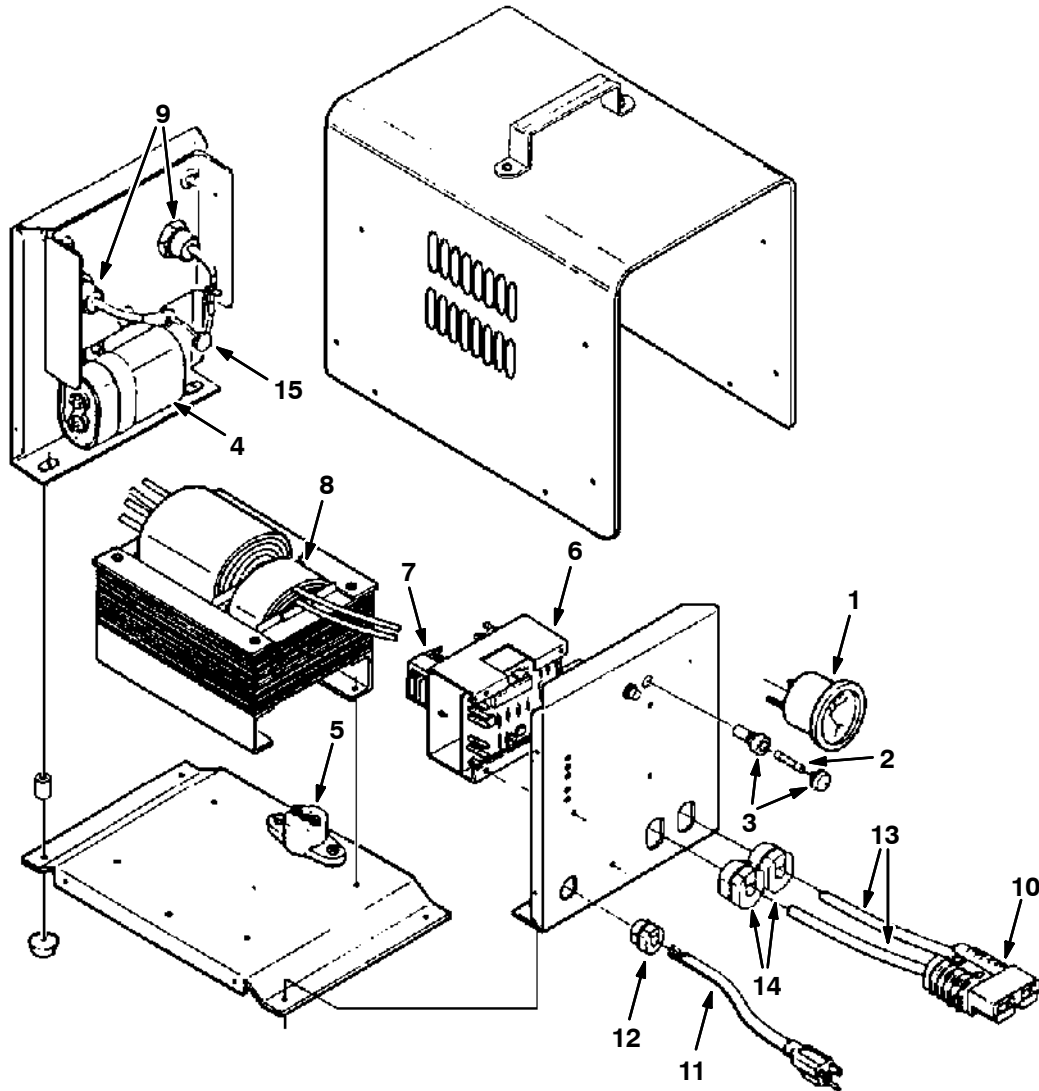
Fig. 13 - Battery Charger Breakdown, 50 Hz,230V, 222595



10263 - E

Ref.	Part No.	Serial Number	Description	Qty.	
▽	222595	(000000-	) Charger, 36V/30A 50H/1Ph 230V	1	
▲	1	38889	(000000-	) Ammeter	1
▲	2	65614	(000000-	) Fuse, A.C. 15 Amp	1
▲	3	30058	(000000-	) Holder, Fuse Ac	1
▲	4	65613	(000000-	) Condensor 12.5Mfd	1
▲	5	65619	(000000-	) Circuit Breaker	1
▲	6	65620	(000000-	) Control Assy	1
▲	7	65959	(000000-	) Control Transformer	1
▲	8	65618	(000000-	) Power Transformer	1
▲	9	65616	(000000-	) Diode	2
▲	10	130155	(000000-	) Connector, Battery, 6ga 50a, Gray[2cont]	1
▲	11	21770	(000000-	) A.C.Cordset W/Plug	1
▲	12	21775	(000000-	) A.C.Strain Relief	1
▲	13	21773	(000000-	) D.C.Cordset W/Plug	1
▲	14	21776	(000000-	) D.C.Strain Relief	2
▲	15	65630	(000000-	) Varistor	1

**Fig. 14 - Battery Charger Breakdown, 50 Hz, 245V, 222691**



10263 - E

Ref.	Part No.	Serial Number	Description	Qty.	
▽	222691	(000000-	) Charger, 36V/30A 50H/1Ph 245V	1	
▲	1	38889	(000000-	) Ammeter	1
▲	2	65614	(000000-	) Fuse, A.C. 15 Amp	1
▲	3	30058	(000000-	) Holder, Fuse Ac	1
▲	4	65726	(000000-	) Capasitor 15Mfd	1
▲	5	65619	(000000-	) Circuit Breaker	1
▲	6	65620	(000000-	) Control Assy	1
▲	7	65959	(000000-	) Control Transformer	1
▲	8	65727	(000000-	) Power Transformer	1
▲	9	65616	(000000-	) Diode	2
▲	10	130155	(000000-	) Connector, Battery, 6ga 50a, Gray[2cont]	1
▲	11	21770	(000000-	) A.C.Cordset W/Plug	1
▲	12	21775	(000000-	) A.C.Strain Relief	1
▲	13	21773	(000000-	) D.C.Cordset W/Plug	1
▲	14	21776	(000000-	) D.C.Strain Relief	2
▲	15	65630	(000000-	) Varistor	1

**Fig. 15 - Drive Wheel Breakdown, 1033016**

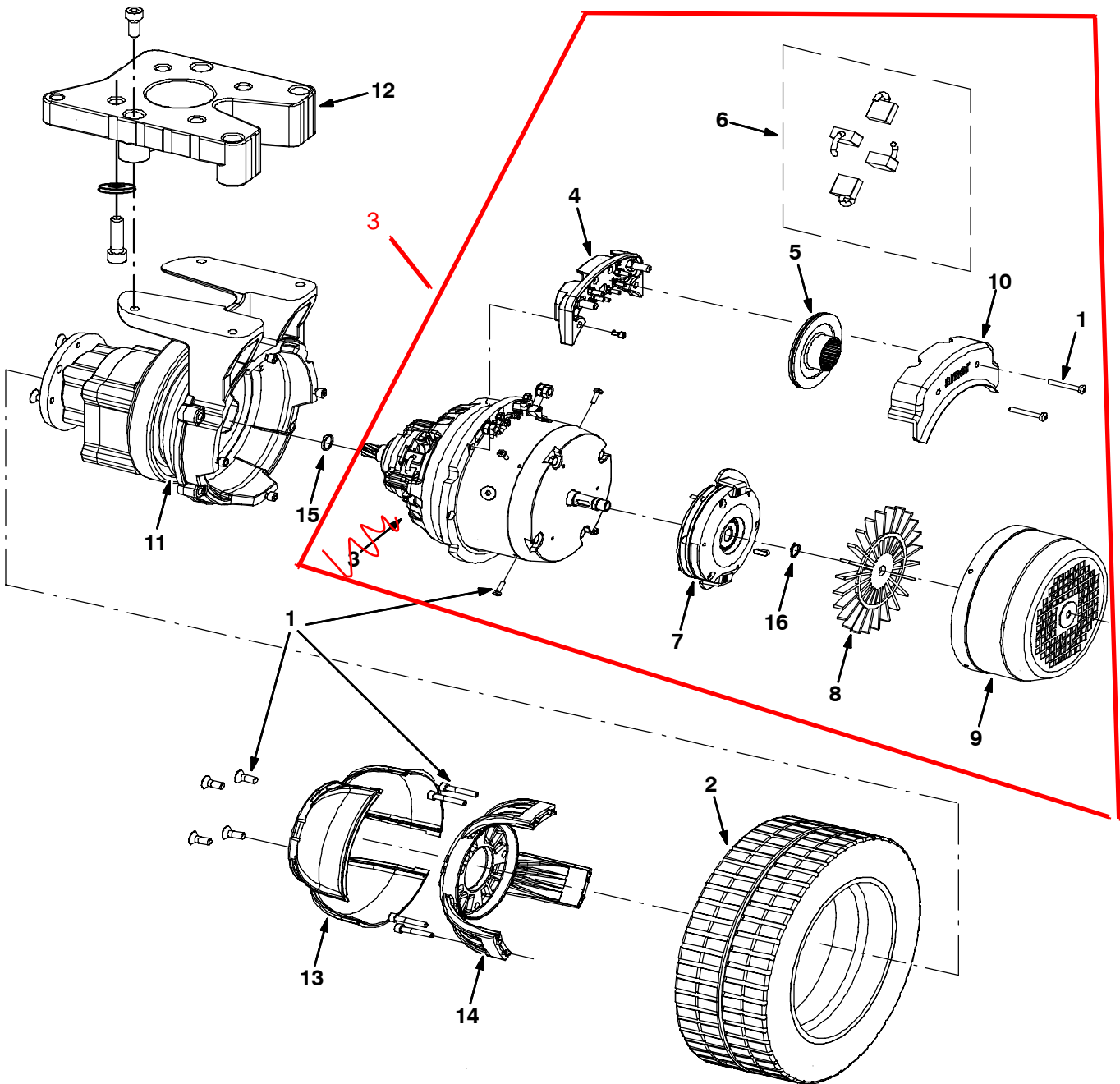


Fig. 15 - Drive Wheel Breakdown, 1033016

	Ref.	Part No.	Serial Number	Description	Qty.
▽		1033016	(000000-	) Wheel Assy, Drive	1
▲	1	9003530	(000000-	) Screw Kit, Motor	1
▲	2	9003514	(000000-	) Tire, Solid, 300Mm X 100Mm Red	1
▲	3	9003515	(000000-	) Motor	1
▲	4	9003516	(000000-	) Box, Ele, Connection	1
▲	5	9003517	(000000-	) Disc, Brake	1
▲	6	9003518	(000000-	) Brush Kit, Carbon	1
▲	7	9003519	(000000-	) Brake Kit, Gearbox, W/Connector	1
▲	8	9003520	(000000-	) Fan	1
▲	9	9003522	(000000-	) Cover, Motor	1
▲	10	9003523	(000000-	) Cover, Ele, Connection	1
▲	11	9003524	(000000-	) Bearing, Ball, Brush Side	1
▲	12	9003525	(000000-	) Spacer, Alm	1
▲	13	9003526	(000000-	) Cover, Hub	1
▲	14	9003527	(000000-	) Hub	1
▲	15	9003528	(000000-	) Seal, Ring	1
▲	16	9003529	(000000-	) Ring, Retaining	1



# SECTION 5

**CONTENTS**

**PAGE**

PART NUMBER TO PAGE NUMBER CROSS REFERENCE LIST ..... 5-2  
PART DESCRIPTION TO PAGE NUMBER CROSS REFERENCE LIST ..... 5-8

# CROSS REFERENCE

## PART NUMBER TO PAGE NUMBER CROSS REFERENCE LIST

Part Number	Page Number	Part Number	Page Number	Part Number	Page Number
00500-10	2-13	06996	2-49	1037102	2-23
00912	2-13, 2-39, 2-45, 4-6, 4-7, 4-8, 4-9	07259	2-19, 2-23	1037103	2-23
00916	2-39	07449	3-3	1037210	2-2, 2-47
00960	2-45	07783	2-49	1038957	2-15
01047	2-35	07790	3-25, 3-27	1039367	2-23
01314	2-7, 2-11	07791	2-7, 2-11, 2-15, 2-17, 2-25, 3-5	1039403	2-45
01683	2-27	07792	3-5	1039617	3-9
01684	2-43, 3-13, 3-15, 3-19	08085	2-25	1040295	2-13
01685	2-55, 3-17, 3-19	08170	2-51	1040552	2-80
01713	3-31	08171	2-19, 2-23	1040908	2-53
01714	2-27	08182	2-27, 2-49, 2-53	1041722	3-9
01750	2-45	08708	2-11, 2-15, 2-17, 2-27, 2-41, 2-53, 2-55, 3-5, 3-7, 3-9, 3-15, 3-19	1041766	3-9
01754	2-15, 2-39, 2-41	08709	2-11, 2-13, 2-25, 2-27, 2-33, 2-35, 2-41, 2-51, 3-3, 3-5, 3-7, 3-11, 3-19, 3-33	1041855	3-49
01837	4-3, 4-5	08711	2-13, 2-43, 3-13, 3-29, 3-45	1042513	2-29
01842	4-3	08712	2-2, 2-9, 2-33, 2-35, 2-43, 3-9, 3-13, 3-15	1042514	2-29
01856	4-3, 4-5	08713	2-2	1042524	2-27
01969	4-3	09010	3-19	1042580	3-9
01971	4-3, 4-5	09088	2-25	1043003	3-9
01982	4-3	09145	2-17	1044870	2-17
01983	4-3	09146	2-15	1045426	2-47
02076	2-21, 2-55, 3-17	09162	2-39, 2-45	1048932	2-11
02141	3-19	09164	2-15, 2-17	1048955	2-11
02384	2-39	09244	2-49	1053842	3-48
02850	3-3	09252	3-7	1055615	2-39
02942	2-43, 3-3, 3-13	09570	2-7	10632-12	2-29
03192	2-13, 2-39, 3-19, 3-29	09737	2-13, 2-15	10632-13	2-49, 3-9
04051	2-55	09741	2-37	10632-2	3-21, 3-23, 3-25, 3-27
04400	2-43, 3-13	09773	3-9	10912	3-9
04846	3-5	1008142	2-39	10925	4-3, 4-5, 4-6, 4-7
06279	2-43, 2-53, 3-13	1008147	2-41	10926	4-3, 4-5
06416	3-19	1008274	2-43	11109	2-31
06474A	2-27	1008275	3-13	11516	2-43, 3-13
06535	2-35	1014491	2-53	11531	3-7
06549	2-17, 2-37, 2-47, 2-49, 3-7	1015271	2-2, 2-51	11635	2-45
06923	2-39, 2-41	1015272	2-2, 2-7	11756	4-3
06931	2-27	1015274	2-2, 2-7	12138	2-37
06933	2-17	10155	3-35	12312	2-37, 2-47
06942	2-11, 2-45, 2-55, 3-7, 3-9, 3-15, 3-25, 3-27	1017079	3-40	12333	2-21
06943	2-11, 2-39, 2-45, 2-49, 3-5	1019242	3-41	12459	3-21, 3-23, 3-25, 3-27
06944	2-11, 2-27, 2-41	1019426	3-41	130155	4-14, 4-15, 4-16, 4-17
06946	2-53, 2-55	1024331	2-25	13513	2-27
06947	2-7, 2-45, 3-7, 3-19	1033016	2-23, 4-19	14601	2-27
06955	2-25, 2-39	1034413	2-29	14605	2-25
06956	2-41, 3-11	1034485	2-29	14799	2-13
06957	2-41, 2-51	1034891	2-29	15047	2-43, 3-3, 3-13
06961	3-7, 3-15	1036256	3-47	15648	2-43, 3-3, 3-13
06962	3-5	1036685	2-21, 3-46	15675	3-19
06963	2-27, 2-37, 3-29			15678	2-43, 3-13
06967	2-41, 3-11			16411	2-3
06972	2-43, 3-13			16412	2-3
				16455	2-53
				16735	2-7, 2-47



# CROSS REFERENCE

Part Number	Page Number	Part Number	Page Number	Part Number	Page Number
16931	2-7, 2-11, 2-13, 2-17, 2-25, 2-35, 2-45, 2-47, 2-51, 3-5, 3-7, 3-9, 3-15, 3-33	223061	2-13	223631	2-21, 3-46
16958	2-49	223065	2-13, 2-25, 3-19	223638	3-35, 3-37
17288	2-2, 2-33	223070	2-13	223641	3-17, 3-39
17363	3-9, 4-3	223073	2-13	223677	4-10
18627	4-3	223075	2-13	223678	4-10
18628	4-3, 4-5	223078	2-11	223679	3-40, 3-41
18630	4-3	223090	2-27	223681	3-40, 4-12
18811	3-9	223093	2-27	223683	3-40, 4-13
19065	2-47	223094	2-27	223685	3-41
19066	2-49, 3-7	223150	2-21	223687	3-41
19312	2-17	223151	2-21	223689	3-41
19314	2-17	223152	2-19, 2-23	223691	3-41
19315	2-17	223153	2-19, 2-23	22731	2-25
19324	2-47	223154	2-19, 2-23	22892	2-55, 3-17, 4-12, 4-13
20170	2-17, 3-9	223157	2-19, 2-23	23498	2-45
20536-1	2-35	223158	2-19, 2-23	23524-1	2-45
21120	3-19	223159	2-19, 2-23	23683	2-49
21722	2-51	223160	2-19, 2-23	23709	2-47, 3-7
21765	4-3	223161	2-19, 2-23	24537	4-6, 4-7
21770	4-14, 4-15, 4-16, 4-17	223162	2-21	24988	2-19
21772	4-14, 4-15	223163	2-21	24989	2-19
21773	4-16, 4-17	223164	2-19	25047	2-27
21775	4-12, 4-13, 4-14, 4-15, 4-16, 4-17	223166	2-21	25312	3-42
21776	4-12, 4-13, 4-14, 4-15, 4-16, 4-17	223167	2-21	25537	3-43
222116	2-15	223168	2-21, 3-46	25737	3-5
222158	2-11	223169	2-21	25829	4-11
222159	2-2, 2-7, 2-33	223170	2-21	25831	4-11
222244	3-5	223171	2-21	25836	4-11
222268	3-5	223181	2-21, 3-46	26395-1	2-47, 2-49
222280	3-37	223186	2-25	26395-2	2-47
222290	2-80	223193	2-21, 3-46	28010	2-39
222409	2-45, 4-6	223197	2-19, 2-23	29499	2-39
222460	2-41, 3-11	223198	2-25, 3-5, 3-31, 3-42	29558	2-51
222467	3-19	223201	2-25	30013	2-2, 2-11, 2-33
222470	2-37	223204	2-25	30058	4-14, 4-15, 4-16, 4-17
222473	3-39	223208	2-21	30533	3-45
222496	2-7, 2-45, 3-7	223239	2-27	32483	2-9, 2-11, 2-15, 2-17, 2-49, 2-55, 3-7, 3-9, 3-15, 3-25, 3-27
222497	2-35	223264	3-9, 4-3, 4-5	32485	2-27, 3-7, 3-29
222534	2-15	223320	2-27	32486	2-27, 2-49, 3-29, 3-45
222556	2-35	223341	4-13	32490	2-7, 2-11, 2-17, 2-27, 2-33, 2-39, 2-45, 3-5, 3-7, 3-21, 3-23, 3-25, 3-27
222595	3-41, 4-16	223342	4-13	32491	2-7, 2-11, 2-15, 2-17, 2-21, 2-23, 2-25, 2-33, 2-35, 2-37, 2-39, 2-41, 2-45, 2-47, 2-51, 3-5, 3-7, 3-9, 3-11, 3-15, 3-19, 3-33, 3-43, 3-44
222623	4-6	223344	4-13		
222625	4-6, 4-7	223345	4-12		
222629	4-6, 4-7	223347	4-12		
222635	4-6	223349	4-12		
222637	4-6, 4-8	223355	2-55, 3-17		
222638	4-6	223356	2-55, 3-17		
222648	3-19	223361	2-55, 3-17		
222683	2-15	223362	2-55		
222691	3-41, 4-17	223466	3-15		
222692	2-39	223476	3-15		
222846	3-17, 3-39	223508	2-13		
223058	2-17	223545	2-21, 2-23		
		223559	3-46		
		223595	3-44		
		223599	2-11		
		223600	2-27		
		223601	2-27		
		223610	2-21		

# CROSS REFERENCE

Part Number	Page Number	Part Number	Page Number	Part Number	Page Number
32492	2-13, 2-37, 2-39, 2-53, 3-3, 3-5, 3-15, 3-19	369462	3-19	383516	2-35
32493	2-13, 2-41, 3-11	369466	3-19	383518	2-35
32520	2-51	369470	3-19	383519	2-2, 2-35
32646	2-7	369473	3-19	383520	2-35
32978	2-47	369474	3-19	383521	2-33
32980	2-27	369478	3-19	383522	2-2, 2-33
32981	2-27, 3-7	369481	3-19	383523	2-2, 2-33
32982	2-17	369483	3-15, 3-17	383525	2-33
32983	3-43, 3-44	369487	3-19	383526	2-33
32984	2-11, 2-17, 3-9	369496	3-19	383527	2-33
330410	3-49	369702	2-7	383528	2-33
330412	3-49	369781	2-41, 3-11	383530	2-39
330413	3-49	369795	2-43, 3-13	383532	2-39
330414	3-49	369796	2-43, 3-13	383533	2-43, 3-13
330415	3-49	370049	2-5	383538	2-31
33807	2-11, 2-17	373367	2-53	383551	2-15
33930	3-15	374017	4-12	383552	2-41
33944	2-17	374018	4-12	383558	2-55
33950	3-29	374022	4-12	383560	2-49
35836	2-37	374023	4-12, 4-13	383561	2-7
35846	2-39	374027	4-13	383563	2-31
360271	2-21	374029	4-13	383590	2-51
360273	2-25	374189	4-11	383598	2-51
360274	2-25	374201	2-45, 4-7	383600	2-7
360275	2-2, 2-25	374260	2-17	383653	2-2, 2-33
360276	2-25	374267	2-39, 4-9	383655	2-39
360369	3-43	374272	4-9	383659	2-2, 2-33
360370	3-43	374299	2-19, 2-23	383660	2-39
360518	3-31	374693	2-53	383661	2-39
360520	3-21, 3-23, 3-25, 3-27, 3-31	374694	2-53	383667	3-15
360821	2-2, 2-33	375176	4-7	383668	3-29
360973	2-45, 2-49	377324	2-15	383669	2-31
361076	2-15	377433	2-15	383670	2-21
361144	2-15	377537	2-3	383699	2-21, 4-10
361339	2-2, 2-7, 2-11, 2-25, 2-29, 2-33, 2-47, 2-49, 2-55, 3-21, 3-23	377538	2-3	383703	2-37
36328	2-37	377540	2-3	383704	2-9
363503	2-9	378920	2-9	383705	2-37
363616	2-53	378964	2-39	383707	2-21
36376	2-51	378983	4-3	383709	2-39, 4-8
363976	3-3	37909	4-3	383711	2-25
367375	2-43, 3-13	37912	4-3, 4-5	383712	2-21
367403	3-5	37926	4-3	383713	2-21, 2-23
367404	2-49	37929	4-3, 4-5	383719	2-17
367679	2-45	379891	2-47	383722	2-17, 3-21, 3-23, 3-25, 3-27, 3-31
369319	2-31	383409	2-51	383723	2-17, 3-9
369345	2-31	383410	2-51	383724	2-17, 3-9
369362	3-19	383424	2-51	383731	2-17, 3-9
369371	3-19	383430	2-53	383734	2-2
369372	3-19	383445	2-2, 2-51	383745	2-51
369373	3-19	383461	2-47	383751	2-9
369374	3-19	383474	2-49	383753	2-5, 3-13
369409	2-55	383475	2-49	383763	2-49
369415	3-15	383480	2-13	383765	2-11
369435	3-19	383487	2-5	383766	2-11
		383496	2-80	383767	2-11
		383505	2-13	383768	2-55
		383509	2-13	383770	2-11
		383510	2-13	383787	2-47
		383511	2-41	383793	2-47
		383514	2-35		

# CROSS REFERENCE

Part Number	Page Number	Part Number	Page Number	Part Number	Page Number
383796	2-51	384065	3-31	386810	2-17
383809	2-80	384068	2-5	38889	4-16, 4-17
383810	2-80	384070	2-49	39005	2-25
383826	2-53, 4-11	384071	2-7	39019	2-43, 3-3, 3-13
383829	2-51	384102	2-2, 2-45	392171	3-21, 3-23, 3-25, 3-27, 3-31
383831	2-15	384103	2-45	39277	2-35, 2-37
383834	2-33	384105	2-45	39278	2-35, 3-5
383835	2-47	384106	2-45	39281	2-33, 2-51
383836	3-31	384109	2-45	39283	3-3, 3-5, 3-19
383853	2-11	384111	2-45	39284	2-13, 2-27, 3-15
383861	2-2, 2-39	384121	3-33	39310	2-53
383865	3-7	384123	3-27	39311	3-3
383870	3-7	384125	3-25	39312	2-27, 3-3
383877	3-7	384127	3-23	39313	3-19
383879	3-5	384129	3-21	39326	2-13
383881	3-7	384145	3-25, 3-27	393421	2-53
383885	3-9	384146	3-25, 3-27	39349	2-11, 2-13, 2-17, 2-41, 3-9
383893	3-5	384149	3-42	39350	3-19
383894	3-31	384150	2-7	39658	2-15, 2-39, 2-41
383896	3-7	384151	2-7	398333	2-2
383910	2-7	384156	2-49	398501	2-15
383912	2-53	384160	2-47	398508	2-15
383940	2-49	384165	3-21, 3-23	398511	4-5
383942	3-25, 3-27	384170	3-29	398512	4-5
383944	2-55	384183	3-29	398513	4-5
383948	3-35	384188	3-29	398514	4-5
383951	3-37	384190	2-17	398515	4-5
383955	3-39	384191	2-11	398516	4-5
383966	2-81	384193	2-11	398517	4-5
383967	3-48	384196	2-49	398518	4-5
383969	3-44	384198	2-81	398519	4-5
383971	3-43	384200	2-47	398520	3-9, 4-5
383975	3-23, 3-27	384201	2-45	398526	2-17
383976	3-21, 3-25	384202	2-45	398528	2-15
383979	3-15	384206	2-47	40678-1	2-7, 2-11, 2-49, 2-55
383981	2-39	384211	3-7	40758	2-33
383983	3-15	384211	3-7	40823	3-7
383986	3-15	384246	3-3	41128	2-11
383990	2-49	384247	3-3	41185	2-45
383992	2-5	384256	4-8	41187	2-13
383993	2-5	384257	4-8, 4-9	41345	2-43, 3-13, 3-45
383997	3-3	384258	4-8, 4-9	41430	2-27, 2-35, 2-37, 2-39, 3-3, 3-5, 3-15, 3-19, 3-29
383998	2-81	384259	4-8, 4-9	41702	2-17
383999	3-17	384269	2-47	41722	2-2, 2-45
384009	2-49	384270	2-7	44078	2-15
384019	3-25, 3-27	384281	2-9	44681-1	3-21, 3-25
384020	3-25, 3-27	384282	2-47	44681-2	3-21, 3-25
384021	3-25, 3-27	384306	2-49	44681	3-21, 3-25
384022	2-13	384308	2-11	44906	2-43, 3-13
384023	2-2, 2-33	384320	2-80	44961	2-45
384027	3-7	384325	2-81	45272	3-21, 3-23, 3-25, 3-27
384031	3-15	384329	2-15	45283	3-21, 3-23, 3-25, 3-27
384034	2-33	384418	3-3	45962	3-35, 3-37
384036	3-45	384419	3-3		
384043	2-35, 3-15	384423	2-9		
384044	4-11	384474	2-5		
384045	4-11	385612	3-19		
384046	4-11	385650	2-19, 2-23		
384047	4-11	385726	2-27, 2-29		
384049	2-43, 3-13	385727	2-27		
		385742	4-10		

# CROSS REFERENCE

Part Number	Page Number	Part Number	Page Number	Part Number	Page Number
46390	2-37	65614	4-16, 4-17	81750	3-13
46563	2-25	65616	4-16, 4-17	81759	2-35
46800	2-39	65618	4-16	81775	2-37
46820	2-13	65619	4-16, 4-17	81785	3-11
47178-17	2-11	65620	4-14, 4-15, 4-16, 4-17	81786	2-43
48755	4-10	65630	4-12, 4-13, 4-16, 4-17	81796	2-39, 2-41
48758	4-10	65632	4-14, 4-15	81797	2-33
49225	2-23	65634	4-14	81798	2-39
49266	2-7, 2-39, 2-47, 3-21, 3-23, 3-25, 3-27, 3-31	65665	3-48	81816	2-47
49609	2-27, 2-35	65724	4-15	81818	2-37
49697	2-47, 3-3	65726	4-17	81819	2-39
50388	2-11	65727	4-17	81828	2-2, 2-45
51109	2-25	65740	3-41, 4-15	81830	2-2, 2-45
51225-1	3-3	65954	4-12, 4-13, 4-14, 4-15	81835	2-45
54345	2-47	65958	4-14, 4-15	81838	2-2, 2-45
54395	2-11	65959	4-14, 4-15, 4-16, 4-17	81855	2-9
54396	2-11	66185	3-19	81875	2-45
54400	2-41, 3-11	69234	2-17	81884	2-37
54607	2-25	69461	3-43	81890	2-45
54660	3-19	69571	2-13	81894	2-39
55094	3-19	70627	2-49	81897	2-35, 2-37, 2-39
55248	2-39, 2-47, 3-21, 3-23, 3-25, 3-27, 3-31	71748	2-53	81917	2-45
55586	2-53	72763	3-5	81919	2-43, 3-13
55845	2-45	73370	3-5	81922	2-17
56106	2-21, 2-23	74455	2-27, 2-29, 2-45	81955	2-41, 3-11
56992	2-11	75272	2-11	81995	2-11
57569	2-7	75428	2-11	82226	2-31
57824	2-21	75575	2-35	82733	2-45
57965	2-53	76062	2-17	82839	2-27
58078	3-19	76438	3-3	83038	2-2, 2-45
58366	2-21, 2-23	76570	2-11, 2-41, 3-11, 3-15	83189	2-2, 2-37
58518	3-23, 3-27	76888	2-15	83254	3-33
58519	3-23, 3-27	76955	2-11	83269	2-3, 3-7
58520	3-23, 3-27	77097	2-53	83285	3-5
58819	2-7	78553	3-48	83286	3-5
59009	2-25	78954	4-11	83287	3-5
59156	2-39	80127	2-43, 3-13	83288	3-5
59658	2-21, 2-23	80299	3-5	83289	2-3, 3-5
60386	4-3, 4-5	80317	3-3	83296	3-5
606404	2-17	80318	3-3	83309	3-5
61297	4-3, 4-5	80395	2-41, 3-11	83313	3-3
61298	4-3	81580	2-7	83315	3-3
61300	4-3, 4-5	81581	2-7	83318	3-3
61301	4-3	81582	2-7	83324	3-3
61837	4-14, 4-15	81587	2-7	83325	3-3
62172	2-53	81705	2-39	83332	3-3
62173	2-53	81710	2-39	83338	3-3
62595-16	2-7, 2-11	81711	2-39	83347	3-3
64153	3-5	81715	2-2, 2-33	83348	3-3
64173	2-49	81716	2-33	83361	3-15
64425	3-3	81721	2-9	83363	3-15
64905	2-53	81729	2-37	83377	3-15
65441	3-3, 3-7	81733	2-39	83380	3-19
65540	3-41, 4-14	81735	2-37	83381	3-15
65584	2-47	81747	2-33	83384	2-47
65613	4-16	81748	2-2, 2-33	86393	2-17
				86430	3-7
				86860	3-3
				86866	2-51
				87242	2-43, 3-13

<b>Part Number</b>	<b>Page Number</b>
87299 .....	2-45
87308 .....	2-9, 2-45
87318 .....	2-17
87346 .....	3-31
87349 .....	3-31
87435 .....	2-55, 3-17
87725 .....	2-27
87816 .....	3-3
87948 .....	3-31
87949 .....	3-31
89710 .....	2-49
9001056 .....	3-40
9001057 .....	3-41
9001061 .....	3-41
9003514 .....	4-19
9003515 .....	4-19
9003516 .....	4-19
9003517 .....	4-19
9003518 .....	4-19
9003519 .....	4-19
9003520 .....	4-19
9003522 .....	4-19
9003523 .....	4-19
9003524 .....	4-19
9003525 .....	4-19
9003526 .....	4-19
9003527 .....	4-19
9003528 .....	4-19
9003529 .....	4-19
9003530 .....	4-19
9003614 .....	2-29
9005082 .....	2-11
9006214 .....	2-53
97031 .....	2-25

**PART DESCRIPTION TO PAGE NUMBER CROSS REFERENCE LIST****A**

A.C.Cord Set W/Plug, 4-14, 4-15  
 A.C.Cordset W/Plug, 4-16, 4-17  
 A.C.Strain Relief, 4-14, 4-15, 4-16,  
 4-17  
 Actuator Kit, 36vdc, F/383680, Replmt,  
 2-51  
 Ammeter, 4-16, 4-17  
 Angle, Cover, Harness, 2-49  
 Angle, Mtg, Light, 3-21, 3-23  
 Angle, Mtg, Shaker, Filter, 2-47  
 Angle, 2-41, 3-11  
 Arm Wldt, Brush, 2-39  
 Arm Wldt, Lift, Mop, V, 3-3  
 Arm Wldt, Lift, Rh, 3-3  
 Arm, Hopper Lift, 2-49  
 Arm, Safety, Hppr, 2-49  
 Arm, W/Label, 6200, 2-49  
 Armature, 4-3, 4-5  
 Axle, Wheel, Rear, 2-31

**B**

Bag, Vac Wand (10 Bags), 2-3, 3-7  
 Balljoint, 2-27  
 Bar, Batt.Stop, 3-19  
 Bar, Mounting, Batt Rollers, 3-15  
 Bar, Safety, Cover, 3-7  
 Battery, 6V, Wet, 3-17, 3-35, 3-37, 3-39  
 Bearing Assy, 2.33d 1.25b Cup / Cone  
 Kit, 2-23  
 Bearing Assy, Vac Fan, 2-45  
 Bearing Kit, Ci, Front Drive Wheel, 2-19  
 Bearing Kit, Motor, Ele,Hd, 4-7  
 Bearing Kit, Motor, Ele, 4-9  
 Bearing Kit, Wheel, Front Drive, Ci, 2-23  
 Bearing Kit, 4-6  
 Bearing, Ball, 0.47b 1.26d 0.39w, 2-2  
 Bearing, Ball, 0.79b 1.85d 0.55w, 2-37  
 Bearing, Ball, Brush Side, 4-19  
 Bearing, Ball, 2-31, 2-39, 2-45  
 Bearing, Block, Nylon, 2-51  
 Bearing, Cam Follower, 3-15  
 Bearing, Cone, 1.25b 0.63w, 2-19  
 Bearing, Cone, 2-21, 3-46  
 Bearing, Cup, 2.33d 0.47w, 2-19  
 Bearing, Cup, 2-21  
 Bearing, Fiberglide, 3-3  
 Bearing, Flange, 2-13, 2-25, 2-43, 3-3,  
 3-5, 3-13, 3-19  
 Bearing, Snap-In, .31B, .41Od, 2-33  
 Bearing, Thrust, 2.75b 3.63d 0.13w,  
 2-19, 2-23  
 Bearing, Thrust, 3-3  
 Bearing, 2-49, 4-3, 4-5, 4-6, 4-8, 4-10  
 Belt, Seat, 3-45  
 Belt, V, [3I] 33.9I, 2-2  
 Belt, V, [3I] 50.0I, 2-2  
 Belt, V, 3L 33.90L, 2-39  
 Belt, V, 3L 50.0L, 2-45  
 Block, Stop, Batt Cart Lock, 3-19

Bolt, Carriage, .38-16 X 2.00, 2-39  
 Boot, Terminal, 3-35, 3-37  
 Boot, 2-21, 2-55, 3-17  
 Box Wldt, Wand, Vacuum, 3-7  
 Box, Accelerator, 2-27  
 Box, Ele, Connection, 4-19  
 Brace, Battery, Case, 3-15  
 Brace, Battery, Rear, 2-55  
 Brace, Battery, Side, 2-55  
 Brace, Battery, 2-55  
 Bracket Wldt, Flap, Front, 2-35  
 Bracket Wldt, Mtg, Switch, 3-5  
 Bracket Wldt, Mtg, Wand, Vacuu, 3-9  
 Bracket Wldt, Side Brush, 2-43  
 Bracket Wldt, Sidebrush, 3-13  
 Bracket, Arm, Brush, 2-37  
 Bracket, Brace, Battery, 3-15  
 Bracket, Fan End, 4-3, 4-5  
 Bracket, Keeper, 3-3  
 Bracket, Latch, 2-47  
 Bracket, Motor, Fan, 2-45  
 Bracket, Mtg, Brake Pedal, 2-29  
 Bracket, Mtg, Shroud, 2-11  
 Bracket, Screen, Horiz, 3-7  
 Bracket, Skirt, Front, 2-35  
 Bracket, Sppt, Seat, Lh, 2-11  
 Bracket, Stop, Battery Case, 3-19  
 Bracket, Stop, Battery, 3-15  
 Bracket, Support, Brace, 3-15  
 Bracket, Support, Recirculatio, 2-33  
 Bracket, Wand, 3-5  
 Brake Kit, Gearbox, W/Connector, 4-19  
 Bridge Rectifier Kit, 4-14, 4-15  
 Brush Door Wldt, 2-37  
 Brush Holder Cap, 4-6, 4-7  
 Brush Kit, Carbon, 4-19  
 Brush Kit, Propelling Motor, 4-10  
 Brush Kit, 4-6, 4-7  
 Brush Mechanism, 4-3, 4-5  
 Brush Plate, 4-10  
 Brush Spring, 4-10  
 Brush, Disk, H. D. Polypropylene, 2-5  
 Brush, Disk, Polypropylene, 2-5  
 Brush, Disk, Swp, 20.5 D, 3-13  
 Brush, Swp, Natural Fiber, 2-5  
 Brush, Swp, Polypropylene, 2-5  
 Brush, Swp, Wedge, Polypropylene, 2-5  
 Brush, Swp, Window, Polypropylene, 2-5  
 Brush&Spring Assy, 2-43, 3-13  
 Brush, 4-8, 4-9  
 Brushholder, 2-43, 3-13  
 Bumper Wldt, V-Mop, 3-3  
 Bumper, Rear, 2-47  
 Bumper, Rubber, 3-15  
 Bumper, Rubr. 2.50Diax 1.00, 3-19  
 Bushing, Sleeve, 0.50b 0.59d 0.38I, Stl,  
 2-49  
 Bushing, Sleeve, 2-25, 2-53  
 Bushing, 2-21  
 Button, Plug, 0.38H 0.03 - 0.12, 2-11  
 Button, Plug, 0.50H 0.03 - 0.12, 2-11

Button, Plug, 0.75H 0.03 - 12, 2-11  
 Button, Plug, 2-7, 2-11, 2-17, 2-47

**C**

Cable Assy, 06ga Red / Blk, 050a /175a,  
 3-40, 3-41  
 Cable, 06ga 46.0I Blk .34ring /.34ring,  
 2-23  
 Cable, 06ga 52.0I Blk .34ring /.34ring,  
 2-23  
 Cable, Brush, Side, Rh, 2-41  
 Cable, Brush, Side, 2-43, 3-13  
 Cable, Door, .12Dia, 13.50L, 2-51  
 Cable, Pull, 61.0I, Clevis / Clevis, 2-25  
 Cable, Sidebrush Lift Lh, 3-11  
 Cam, Brake, 2-25  
 Cam, Squeegee, 3-5  
 Cap Wldt, Roller Shaft, 3-19  
 Cap, Battery, 3-17, 3-39  
 Cap, Brush, 2-43, 3-13  
 Cap, Reservoir, Pump, Hyd, 4-11  
 Cap, Wheel, 2-21  
 Capacitor 15Mfd, 4-17  
 Case, Roll Out Battery, 3-15, 3-17  
 Caster Assy, 2-19, 2-23  
 Caster, Battery, Cart, 3-19  
 Caster, 3-19  
 Catch, Draw Pull, 2-47, 3-7  
 Chain, Link, 2-33  
 Chain, Roller #35, .375 Pitch, 2-13  
 Channel Wldt, Bumper, 3-15  
 Channel Wldt, Lift Lh, 3-3  
 Channel Wldt, Lift Rh, 3-3  
 Channel Wldt, Steering, 2-13  
 Channel, Foot Rest, 2-13  
 Channel, Mtg, Light, Ohg, 3-25, 3-27  
 Channel, Mtg, Sidebrush, 2-43, 3-13  
 Channel, Screen, Horiz, 3-7  
 Channel, Stiffener, Batt Roll, 3-15  
 Charger Kit 36V/20A 50Hz/230V, 3-41  
 Charger Kit 36V/30A 50Hz/230V, 3-41  
 Charger Kit, 36V/20A 50Hz/245V, 3-41  
 Charger Kit, 36V/30A 50Hz/240V, 3-41  
 Charger Kit, 36Vdc 021A, 1Ph, Ci [TJ]  
 (Japan Only), 3-41  
 Charger Kit, 36vdc, Ci [Domestic/Export],  
 3-40  
 Charger Kit, 36vdc, Ci[Export/Euro/Asia],  
 3-41  
 Charger, 36V/20A 50H/ Ph 230V (See  
 Breakdowns), 3-41  
 Charger, 36V/20A 50H/ Ph 230V, 4-14  
 Charger, 36V/20A 50H/1Ph 245V (See  
 Breakdowns), 3-41  
 Charger, 36V/20A 50H/1Ph 245V, 4-15  
 Charger, 36V/20A 60Hz/120V (See  
 Breakdowns), 3-40  
 Charger, 36V/20A 60Hz/120V, 4-12  
 Charger, 36V/30A 50H/1Ph 230V (See  
 Breakdowns), 3-41

Charger, 36V/30A 50H/1Ph 230V, 4-16  
 Charger, 36V/30A 50H/1Ph 245V (See Breakdowns), 3-41  
 Charger, 36V/30A 50H/1Ph 245V, 4-17  
 Charger, 36V/30A 60Hz/120V (See Breakdowns), 3-40  
 Charger, 36V/30A 60Hz/120V, 4-13  
 Circuit Break 15A, 4-12  
 Circuit Break 20Amp, 4-13  
 Circuit Breaker, 4-12, 4-13, 4-14, 4-15, 4-16, 4-17  
 Circuitboard, Pedal, 2-27, 2-29  
 Circuitbreaker, 15Amp, 2-17, 3-21, 3-23, 3-25, 3-27, 3-31  
 Circuitbreaker, 20Amp, 2-17, 3-9  
 Circuitbreaker, 25.0a, Resetable, 3-9  
 Circuitbreaker, 25Amp, 2-17  
 Clamp, Cable, Stl, 0.56d X 0.38w, 1hole, 2-49  
 Clamp, Cable, Stl, 0.88d X 0.62w, 1hole, 2-49  
 Clamp, Cable, Stl, 1.25d X 1.00w, 1h, 2-21  
 Clamp, Cable, Stl, 1.25d X 1.00w, 1hole, 2-23  
 Clamp, Cable, 2-7, 2-11, 2-17, 2-47, 2-55  
 Clamp, Wormdrive, 2-45, 3-7  
 Clamp, 2-7, 4-3  
 Clip, 2-43, 3-13  
 Comm. Bracket, 4-3, 4-5  
 Condenser, 4-14, 4-15  
 Condensor 12.5Mfd, 4-16  
 Connector, 2 Conductor, 4-3, 4-5, 4-6, 4-7  
 Connector, Battery, 6ga 50a, Gray[2cont], 4-14, 4-15, 4-16, 4-17  
 Connector, Gray, 2-55, 3-17  
 Connector, Grey, SB175, 4-12, 4-13  
 Connector, Wire Lock, 4-11  
 Connector, 4-11  
 Contact, Switch, 3-48  
 Contactor, 36vdc, 100a, Sp, No, 2-17  
 Contactor, No 36Vdc, 2-17  
 Contactor, No, 36Vdc, 2-17, 3-9  
 Control Assy, 4-14, 4-15, 4-16, 4-17  
 Control Circuit. 36V30A, 4-13  
 Control Circuit, 4-12  
 Control Transformer, 4-14, 4-15, 4-16, 4-17  
 Controller, Motor, 36vdc 200a, 2-17  
 Controller, Motor, 36vdc 90a, 2-17  
 Cord Assy A.C., 4-12, 4-13  
 Cord Assy D. C., 4-12, 4-13  
 Cord, Chrgr, Ele [European], 3-41  
 Cord, Chrgr, Ele, Tj (Japan Only), 3-41  
 Cord, Extn, 16ga /3, 010ft [Sjt], 3-40  
 Coupling, Vac Wand, 3-5  
 Coupling, Vac-Wand, 3-5  
 Coupling, 4-11  
 Cover Wldt, Wand, Vacuum, 3-7  
 Cover, Ele, Connection, 4-19

Cover, Filter, 2-47  
 Cover, Hub, 4-19  
 Cover, Motor, 4-19  
 Cuff, Hose, 3-5  
 Cup Holder, 2-11  
 Cylinder Kit, Hyd, Replmt [6200], 2-53  
 Cylinder, Hyd, 2.0B 15.8S 2500, 2-53  
 Cylinder, Hyd, 2.0b 21.1l 15.75strk 2500, 2-53

**D**

D.C.Cord Set Wo/Plug, 4-14, 4-15  
 D.C.Cordset W/Plug, 4-16, 4-17  
 D.C.Strain Relief, 4-14, 4-15, 4-16, 4-17  
 Diode Assy, W/ Ring Terminals, 2-17  
 Diode, Electric Plug, 2-80  
 Diode, 4-16, 4-17  
 Disc, Brake, 4-19  
 Disc, 4-3  
 Dolly, Battery Kit, 3-19  
 Door Assy, Brush, Lh, 2-9  
 Door Wldt, Dump, 2-51  
 Duct, Inlet, Fan, 2-45  
 Duct, Vinyl, 11.0L, 3-25, 3-27  
 Duct, Vinyl, 12.0L, 3-25, 3-27  
 Duct, Vinyl, 31.0L, 3-25, 3-27

**E**

Extinguisher, Fire, 3-42

**F**

Fan Assy, Vacuum (See Breadowns) (Replaced by 9004054), 3-9  
 Fan, Vacuum (See Breadowns), 3-9  
 Fan, Vacuum, 5.7d, 036vdc, 3 Stage, 3-9  
 Fan, Vacuum, 4-3, 4-5  
 Fan, 4-3, 4-5, 4-19  
 Filter, Panl, Dust, 4.2 X 16.0 X 24.0, 2-2, 2-47  
 Fitting, Grease, Str Pm04 .47l, 2-23  
 Fitting, Grease, 2-19  
 Fitting, Hyd, Elbow, 2-53  
 Fitting, Hyd, Rst Jm04/.047, 2-53  
 Fitting, Hyd, Str, 2-53  
 Floor Lock, 3-19  
 Floor Tread, Anti-Slip, 2-7  
 Follower, Cyl, Plastic, 2-49  
 Frame Wldt, Main, 6200, 2-7  
 Frame Wldt, Mtg, Roller, 3-19  
 Frame Wldt, V-Mop, 3-3  
 Frame, Batt Cart, 7200, 3-19  
 Fuse, A.C. 10 Amp, 4-14, 4-15  
 Fuse, A.C. 15 Amp, 4-16, 4-17  
 Fuse, 2-17

**G**

Gasket, Cover, 3-7  
 Gasket, 2-15, 2-45  
 Gauge Kit, Hourmeter, F/31988 [10k], 2-15  
 Gauge, Discharge, Battery, 36vdc, Led, 2-15  
 Gauge, Hourmeter, 12-60vdc, Analog [10k], 2-15  
 Gearbox, 2-21  
 Grip, Handle, Round, 3-19  
 Grip, Handle, 3-19  
 Grommet, Rbr, 0.38ld, F/0.5H, .12 Matl, 2-29  
 Grommet, Rubber, 2-47, 2-49, 2-55, 3-9, 3-21, 3-23, 3-25, 3-27  
 Grommet, Nylon, .75ld, 1.00Dmtg, 3-19  
 Guard Wldt, Ohg, Top, 3-29  
 Guard, Brush, Side, 2-43, 3-13  
 Guard, Fan Sheave, 2-45  
 Guard, Lamp, 3-21, 3-23, 3-25, 3-27

**H**

Handel Wldt, Batt Cart, 3-19  
 Handle Wldt, 2-39  
 Handle, Brush, Lift, Side, 2-41  
 Harness, Brake, Ele [T15], 2-23  
 Harness, Charger Jumper, 3-41  
 Harness, Hopper, Ele, 6200, 2-80  
 Harness, Light, Revl, Ohg, 6200, 3-25, 3-27  
 Harness, Main, [6200 Ele], 2-80  
 Harness, Main, Ele, 6200, 2-80  
 Harness, Motor, 2-21, 2-23  
 Harness, Solenoid, Shaker, 2-47  
 Harness, Taillight, 6200, 3-31  
 Harness, Wire, 2-55, 3-17  
 Headband, 4-10  
 Headlight, 36Vdc, 3-31  
 Hinge Wldt, Cover, 2-47  
 Hinge, Door, Dump, 2-51  
 Hinge, Electric, 2-17  
 Hinge, 2-9, 2-11, 3-7  
 Holder, Fuse Ac, 4-14, 4-15, 4-16, 4-17  
 Hopper Wldt, 6200, 2-47  
 Horn, 36Vdc, 2-7  
 Hose, Flex, 2-3, 3-5  
 Hose, Hyd, 2-53  
 Housing Assy, Steering, 6200, 2-13  
 Housing Assy, Wheel, Rear, 2-31  
 Housing Wldt, V-Mop, 3-3  
 Housing, Bearing, 2-45  
 Housing, Brg, Vacfan, 2-2  
 Housing, Brg, Wheel, Front, Swivel, 2-23  
 Housing, Drive Wheel, 2-21  
 Housing, Fan, 2-45  
 Housing, 4-3, 4-5  
 Hub, 4-19

## CROSS REFERENCE

### I

Impeller, 9.06 D X 0.375 B, 2-45  
Instr, Use And Care, 6200, 2-81  
Insulation, Acoustic, 2-45  
Insulation, Acstc, Front, 2-53  
Insulation, Acstc, Side, 2-53  
Insulator, Panel & Switchboard, 2-17  
Isolator, Vib, Bshg, 1.4d 0.7l .4b 0.68h, 2-53  
Isolator, Vib, Ring, 1.4d 0.7l 0.8b, 2-53  
Isolator, 2-21, 3-46

### J

Joint, U, 0.75id, 2-13

### K

Key, Ignition, 2-15  
Key, Sq, 0.19 X 0.19, 1.00, 4-6  
Key, Sq, 0.19 X 0.19, 1.00l, 2-39, 2-45, 4-7, 4-8, 4-9  
Key, Sq, 0.19 X 0.19, 1.50l, 2-39  
Key, Square, 2-13, 2-45  
Key, Woodruff, 2-13  
Kit, Alarm, Backup, 36Vdc 6200, 3-33  
Kit, Battery W/Case, F/Rollout, 3-17  
Kit, Battery, 36V 220Ah Wet, 3-35  
Kit, Battery, 36V 235Ah Wet, 3-37  
Kit, Battery, 36V 335Ah Wet, 3-39  
Kit, Battery, Rollout, 6200, 3-15  
Kit, Extinguisher, Fire, 6200, 3-42  
Kit, Harness, Repl F/383494, 2-80  
Kit, Headlight, Taillight, 36V, 3-31  
Kit, Horn, Back-Up Alarm, 3-33  
Kit, Light, Flsh, 36Vdc, 6200, 3-23  
Kit, Light, Flsh, Ohg, 36Vdc, 3-27  
Kit, Light, Revl, 36Vdc, 6200, 3-21  
Kit, Light, Revl, Ohg, 36Vdc, 3-25  
Kit, Maint, 800hr [6200 E], 2-2  
Kit, Mop, V, 6200, 3-3  
Kit, Ohg, 6200, 3-29  
Kit, Perf, Sweeper, [6200 E], 2-2  
Kit, Pump Assy, Hyd, 36V, 4-11  
Kit, Rail, Slide, Seat, 3-43  
Kit, Replmt, Bearing, Vacuum Fan, [6100], 2-2  
Kit, Replmt, Knob Assy, [6100], 2-2  
Kit, Seal, Cylinder, 2-53  
Kit, Seat, Suspension, 3-44  
Kit, Skirt, [6200], 2-2  
Kit, Skirt, 6200, 2-33  
Kit, Switch, Stop, 3-48  
Knob Assy, 2-37  
Knob, 2.38D .88H M6 Insert, 3-15  
Knob, M8X1.25 Insert, 2-37  
Knob, Round, Press On .50, 2-39, 2-41

### L

Label Set, Info/Hzrd, 6200, 2-81  
Label Set, Opertnl, Ele, 6200, 2-81  
Label, Headlight, 2-7  
Label, Taillight, 2-47  
Lamp, Flsh, Amb, 36Vdc Rework, 3-23, 3-27  
Lamp, Revl, Amb, 36Vdc Rework, 3-21, 3-25  
Lamp, 3-21, 3-23, 3-25, 3-27, 3-31  
Lampholder, 3-31  
Latch, Door, 3-3  
Latch, Push, 1.0 X 1.5, 2-9  
Latch, Push, 1.5 X 1.8, 2-9  
Leg, Ohg, Rear, Paint, 3-29  
Lens, Flashing Lite Fr207 Amber, 3-23, 3-27  
Lens, Flashing Lite Fr207 Blue, 3-23, 3-27  
Lens, Flashing Lite Fr207 Red, 3-23, 3-27  
Lens, Rev. Light, Amber, 3-21, 3-25  
Lens, Rev. Light, Blue, 3-21, 3-25  
Lens, Rev. Light, Red, 3-21, 3-25  
Lever, Accelerator, 2-27  
Lever, Brake, 102Mm Long, 2-25  
Lever, Recirc Adj, 2-33  
Light Assy Tail, 3-31  
Link, Brush Arm, 2-39  
Link, Chain, 2-13  
Lock Wldt, Lh, Batt Cart, 3-19  
Lock Wldt, Rh, Batt Cart, 3-19

### M

Manual Pkg, 6200E Jp, 3-49  
Manual Pkg, 6200E, 3-49  
Manual, Oprtr, 6200E Es Na, 3-49  
Manual, Oprtr, 6200E Fr Na, 3-49  
Manual, Service, 6200E, 3-49  
Mat, Floor, 2-13  
Molding, Trim 11-14Ga 6.75, 2-7  
Molding, Trim 11-14Ga 8.50, 2-7, 2-11  
Molding, Trim 11-14Ga 19., 2-11  
Molding, Trim 3/16-5/16 1.50, 2-49  
Mop, V Dust, 3-3  
Motor, .75Hp, 36V, 2500Rpm (See Breakdowns) (Replaced by 374201), 2-45  
Motor, 36V, 4-11  
Motor, Brush Drive (See Breakdowns) (Replaced by 374267), 2-39  
Motor, Ele, 36vdc 0.08hp 0068rpm 04.5a, 2-43, 3-13  
Motor, Ele, 36vdc 0.75hp 2500rpm. (See Breakdowns), 2-45  
Motor, Ele, 36vdc 0.75hp 2500rpm, 4-7  
Motor, Ele, 36vdc 0.90hp 1800rpm (See Breakdowns) (Replaced by 1055615), 2-39  
Motor, Ele, 36vdc 0.90hp 1800rpm, 4-8  
Motor, Ele, 36vdc 0.90hp 1800rpm, 4-9

Motor, Ele, 36vdc 1800rpm 0.90hp, 2-39  
Motor, Ele, 36vdc, 0.75hp ( Replaced by 374201), 4-6  
Motor, Propel 1.5Hp 36Vdc, 4-10  
Motor, Traction 1.5 Hp (See Breakdowns), 2-21  
Motor, 4-19  
Mount, Cable Tie, 2-39, 2-47, 3-21, 3-23, 3-25, 3-27, 3-31

### N

Nozzle, Vac Wand, 3-5  
Nut, Hex, Flange, M06-1.0, 3-25, 3-27  
Nut, Hex, Flange, M08-1.25, 2-7, 2-11, 2-15, 2-17, 2-25, 3-5  
Nut, Hex, Flange, M10-1.5, 3-5  
Nut, Hex, Flexlock, .31-18, 2-55, 3-17  
Nut, Hex, Flexlock, .31-24, 2-45  
Nut, Hex, Jam, .25-20, 2-51  
Nut, Hex, Jam, .31-24, 2-17, 3-9  
Nut, Hex, Lock, .25-20 NI, 3-7  
Nut, Hex, Lock, .25-20, NI, 2-27  
Nut, Hex, Lock, .25-28, NI, 2-27  
Nut, Hex, Lock, .31-18, NI, 3-43, 3-44  
Nut, Hex, Lock, .38-16, NI, Ss, 2-39  
Nut, Hex, Lock, M04-0.7, 3-3  
Nut, Hex, Lock, M05-0.8, NI, 2-17, 2-37, 2-47, 2-49, 3-7  
Nut, Hex, Lock, M06 X 1.0, NI, Ss, 2-2  
Nut, Hex, Lock, M06 X 1.0, NI, 2-53  
Nut, Hex, Lock, M06-1.0, NI, Ss, 2-43, 3-13  
Nut, Hex, Lock, M06-1.0, NI, Ss, 2-9, 2-33, 2-35, 3-9, 3-15  
Nut, Hex, Lock, M06-1.0, NI, 2-11, 2-15, 2-17, 2-27, 2-41, 2-55, 3-5, 3-7, 3-9, 3-15, 3-19  
Nut, Hex, Lock, M08 X 1.25, NI, Ss, 2-2  
Nut, Hex, Lock, M08-1.25, NI, 2-51, 3-7  
Nut, Hex, Lock, M08-1.25, NI, 2-11, 2-13, 2-25, 2-27, 2-33, 2-35, 2-41, 3-3, 3-5, 3-11, 3-19, 3-33  
Nut, Hex, Lock, M10-1.5, NI, 2-27, 2-35, 2-37, 2-39, 3-3, 3-5, 3-15, 3-19, 3-29  
Nut, Hex, Lock, M12-1.75, NI, Ss, 2-37  
Nut, Hex, Lock, M12-1.75, NI, 2-13, 2-43, 3-13, 3-29, 3-45  
Nut, Hex, M12X1.75 Special, 2-31  
Nut, Hex, Std, 1.25-12, 2-23  
Nut, Hex, Std, .25-20, 2-17  
Nut, Hex, Std, .25-28, 2-27  
Nut, Hex, Std, .50-13, Lh, 2-39  
Nut, Hex, Std, #10-32, G2, 3-31  
Nut, Hex, Std, M03-0.5, 2-15, 2-39, 2-41  
Nut, Hex, Std, M08-1.25, 3-3  
Nut, Hex, Std, M10-1.5, 2-27, 3-3  
Nut, Hex, Std, M12-1.75, 3-19  
Nut, Hex, Std, M20-2.5, 2-49  
Nut, Hexslot 1.25-12, 2-19  
Nut, Wheel, .44-20 X 60 Angle, 2-31



Nut-Hx Std M10X1.25, 3-19  
 Nut-Low Crown, .31-18, 2-11  
 Nut, 4-3, 4-5

**P**

Pad, 2-7, 2-25  
 Paint, Airdry, Blk, 12oz, 2-3  
 Paint, Airdry, Gray, 12oz [Enamel], 2-3  
 Paint, Airdry, Iron Gray, 12oz[Pwdr Coat], 2-3  
 Paint, Airdry, Off-White, 12oz, 2-3  
 Paint, Airdry, Teal, 12oz, Solid, 2-3  
 Panel, Electric, W/Label, 6200, 2-17  
 Panel, Instrument, Ele, 2-15  
 Panel, Instrument, 2-15  
 Panel, Sppt, Seat, Front, 2-11  
 Panel, Sppt, Seat, Rh, 2-11  
 Pedal Assy, Brake, 2-29  
 Pedal Assy, Propel, 36vdc, 2-29  
 Pedal Kit, Propel, 36vdc, 2-27  
 Pedal, Accelerator, 2-27  
 Pedal, Brake, 2-25  
 Pedal, Front, Skirt, 2-35  
 Pedal, 2-25  
 Pin, Clevis, .31 Dia X 1.75 Lg, 2-7  
 Pin, Clevis, 0.50d X 2.50l, 2-53  
 Pin, Clevis, 2-25, 2-27, 2-39, 2-43, 2-49, 2-51, 3-3, 3-13, 3-19  
 Pin, Cotter, .156 X 2.00, 2-23  
 Pin, Cotter, 2-19, 2-25, 2-27, 2-49, 2-51, 2-53  
 Pin, Dowel, .375X2.000, 2-21  
 Pin, Dowel, 0.5002d X 1.50l, 2-23  
 Pin, Dowel, 2-21  
 Pin, Hair Cotter, 2-25, 2-43, 2-51, 3-3, 3-13, 3-19  
 Pin, Haircotter, 3-19  
 Pin, 2-43, 3-13  
 Pivot, Cable, Dump Door, 2-51  
 Pivot, Motor, 2-39  
 Plate Wldt, Inlet, Fan, 2-45  
 Plate Wldt, Swivel, 2-23  
 Plate, Arm Adj, 2-37  
 Plate, Arm, Idler, 2-37  
 Plate, Baffel, Filter, 2-47  
 Plate, Directional Control, 2-27  
 Plate, Door, Brush, Lh, 2-9  
 Plate, Door, Brush, Rh, 2-9  
 Plate, Door, Brush, 2-39  
 Plate, Hopper, Lip, 2-51  
 Plate, Latch, 3-3  
 Plate, Link, Flap, 2-35  
 Plate, Mtg, Hyd Pump, 2-53  
 Plate, Mtg, Light, Ohg, 3-25, 3-27  
 Plate, Mtg, 2-21  
 Plate, Ohg, Leg, Rear, 3-29  
 Plate, Poly, Slide, 2-7  
 Plate, Sidebrush Lift, 2-41, 3-11  
 Plate, Spacer, Caster, 3-19  
 Plate, Swivel, 2-19  
 Plug, Brush Drive, Splined, 2-39  
 Plug, Brush, Drive, 2-37

Plug, 2-15, 2-37  
 Plugbtn 1.25H.12 Max Blacknyl, 2-15  
 Power Tran, 4-15  
 Power Transformer, 4-16, 4-17  
 Pulley, Cable, 1.5d, Nyl, 2-41, 3-11  
 Pulley, 2-39  
 Pump Assy, Hyd, 36V (See Breakdowns), 2-53  
 Pump Assy, 4-11

**R**

Rail, 3-43  
 Rectifier Assy, 4-12, 4-13  
 Rectifier Scr 20A, 4-12  
 Relay, 36vdc, 005a, Spdt No [Greenwich], 2-17  
 Relief, Strain A/C, 4-12, 4-13  
 Reservoir Assy, 4-11  
 Resistor, 3-31  
 Retainer, Flap, Recirculation, 2-33  
 Retainer, Flap, 2-33  
 Retainer, Recirc, Flap, 2-33  
 Retainer, Recirculation Flap, 2-33  
 Retainer, Ring, 2-25  
 Retainer, Spring, 2-27  
 Retainer, 2-35, 2-37, 2-39  
 Ring, Retaining, 32Mm, 2-39  
 Ring, Retaining, Ext, 0.38d, [Selflock], 2-45  
 Ring, Retaining, 4-19  
 Rod Wldt, Handle, 3-5  
 Rod Wldt, Vac Wand, 3-5  
 Rod, Sppt, Seat, 2-11  
 Rod, Thread, 2-27  
 Rod, Threaded, M6 X 1.50 Lg, 3-15  
 Rod, Threaded, 2-17  
 Roller Assy, 24 In, Batt Cart, 3-19

**S**

Scr Hex M12X1.75 20, 2-41, 3-11  
 Scr-Hex M 8X1.25 60 Full Th, 3-3  
 Screw Kit, Motor, 4-19  
 Screw, 6-32, 4-8, 4-9  
 Screw, Btn, M12 X 1.75 X 30, 10.9 NI, 2-23  
 Screw, Btn, M8 X 1.25 X 35, Ss, 2-2, 2-33  
 Screw, Butn, M12-1.75X 30, NI, 2-19  
 Screw, Flat, M08-1.25X 16, 10.9, 2-33  
 Screw, Flat, M08-1.25X 25, Ss, 2-39  
 Screw, Flat, M10-1.5 X 35, 10.9, 2-35  
 Screw, Flt, M08 X 1.25 X 16, 10.9, 2-2  
 Screw, Hex 6X 1.0 16 Pltd, 2-7, 2-11, 2-25, 3-21, 3-23  
 Screw, Hex 6X 1.0 16 Pltd, 2-33, 2-47, 2-49, 2-55  
 Screw, Hex, .25-20 X 0.38, G5, 2-17  
 Screw, Hex, .25-20 X 0.50, G5, 2-17  
 Screw, Hex, .25-20 X 1.25, G5, 2-27  
 Screw, Hex, .31-18 X 0.62, 2-11

Screw, Hex, .31-18 X 0.75, G5, 2-11  
 Screw, Hex, .31-18 X 1.00, G5, 2-11  
 Screw, Hex, Fmg M06-1.0 X 10, 2-11  
 Screw, Hex, Fmg, .31-18 X .50, 2-49  
 Screw, Hex, Fmg, M05-0.8 X 16, 2-45  
 Screw, Hex, Fmg, M06-1.0 X 12, 2-45  
 Screw, Hex, Fmg, M06-1.0 X 20, 3-21, 3-23, 3-25, 3-27  
 Screw, Hex, Fmg, M06-1.0 X 25, 2-7, 2-33  
 Screw, Hex, M05-0.8 X 12, 8.8, 2-37, 2-47  
 Screw, Hex, M05-0.8 X 16, 8.8, 2-49  
 Screw, Hex, M05-0.8 X 20, 8.8, 3-7  
 Screw, Hex, M06 X 1.0 X 16, Fmg, 2-2  
 Screw, Hex, M06 X 1.0 X 25, Fmg, 2-2  
 Screw, Hex, M06 X 1.0 X 35, 8.8, 2-53  
 Screw, Hex, M06-1.0 X 12, 8.8, 2-9  
 Screw, Hex, M06-1.0 X 16, 8.8, 2-11, 3-25, 3-27  
 Screw, Hex, M06-1.0 X 20, 8.8, 2-11  
 Screw, Hex, M06-1.0 X 25, 8.8, 2-11  
 Screw, Hex, M06-1.0 X 40, 8.8, 2-7, 3-19  
 Screw, Hex, M06-1.0 X100, Ss, 3-9  
 Screw, Hex, M06-1.0 X 12, 8.8, 2-45  
 Screw, Hex, M06-1.0 X 12, Fmg, 2-27  
 Screw, Hex, M06-1.0 X 12, Ss, 2-45  
 Screw, Hex, M06-1.0 X 16, 8.8, 2-45, 2-55, 3-7, 3-9, 3-15  
 Screw, Hex, M06-1.0 X 16, Ss, 2-43, 3-13  
 Screw, Hex, M06-1.0 X 20, 8.8, 2-39, 2-45, 2-49, 3-5  
 Screw, Hex, M06-1.0 X 25, 8.8, 2-27, 2-41  
 Screw, Hex, M06-1.0 X 35, 8.8, 2-55  
 Screw, Hex, M06-1.0 X 40, 8.8, 2-45, 3-7  
 Screw, Hex, M06-1.0 X 40, Ss, 3-15  
 Screw, Hex, M08-1.25 X 12, 8.8, 2-11  
 Screw, Hex, M08-1.25 X 16, 8.8, 2-7, 2-47  
 Screw, Hex, M08-1.25 X 16, Ss, 3-19  
 Screw, Hex, M08-1.25 X 20, 8.8, 2-7, 2-11, 2-13, 2-17, 2-35, 2-47, 2-51, 3-5, 3-7, 3-9, 3-15, 3-33  
 Screw, Hex, m08-1.25 X 20, 8.8, 2-25  
 Screw, Hex, M08-1.25 X 25 Nylonloc, 2-21  
 Screw, Hex, M08-1.25 X 25, 8.8, 2-35, 2-37  
 Screw, Hex, M08-1.25 X 25, Ss, 3-19  
 Screw, Hex, M08-1.25 X 30, 8.8, 2-11, 2-41, 3-11, 3-15  
 Screw, Hex, M08-1.25 X 35, 8.8, 2-25, 2-39  
 Screw, Hex, M08-1.25 X 35, Ss, 2-21  
 Screw, Hex, M08-1.25 X 45, 8.8, 2-41, 3-11  
 Screw, Hex, M08-1.25 X 50, 8.8, 2-35, 3-5

## CROSS REFERENCE

- Screw, Hex, M08-1.25 X 60, 8.8, 2-41, 2-51
- Screw, Hex, M08-1.25 X 90, 8.8, 2-33, 2-51
- Screw, Hex, M10-1.5 X 25, 8.8, 3-19
- Screw, Hex, M10-1.5 X 30, 8.8, 3-19
- Screw, Hex, M10-1.5 X 20, 8.8, 3-7, 3-15
- Screw, Hex, M10-1.5 X 25, 8.8, 3-3, 3-5
- Screw, Hex, M10-1.5 X 30, 8.8, 2-13, 2-39, 3-29
- Screw, Hex, M10-1.5 X 35, 8.8, 2-13, 2-27, 3-15
- Screw, Hex, M10-1.5 X 45, 8.8, 3-5
- Screw, Hex, M10-1.5 X 60, 8.8, 2-27, 2-37, 3-29
- Screw, Hex, M10-1.5 X 90, Fl, 3-3
- Screw, Hex, M12-1.75 X 25, 8.8, 2-43, 3-13, 3-45
- Screw, Hex, M12-1.75 X 50, Fl, 3-19
- Screw, Hex, M12-1.75 X 60, 8.8, 2-43, 3-13
- Screw, Hex, M12-1.75 X 80, Ss, 3-29
- Screw, Hex, M12-1.75 X 120, 8.8, 2-37
- Screw, Hex, M20-2.5 X 80, 8.8, 2-49
- Screw, Hex, M6 X 1.0 X 12, Fmg, 2-29
- Screw, Hex, M6 X 1.0 X 16, Fmg, 2-29
- Screw, Hex, M6 X 1.00 X 110mm, Ss, 3-9
- Screw, Hex, M8 X 1.25 X 20, 8.8, 2-45
- Screw, Hex, M8 X 1.25 X 35, Ss, NI, 2-23
- Screw, Hex, 2-19, 2-21, 2-25, 3-5, 3-31, 3-42
- Screw, Pan M05-0.8 X 6, 2-27
- Screw, Pan, .31-18 X 0.75, G1, 3-43
- Screw, Pan, #12- X 0.50, 2-45, 2-49
- Screw, Pan, M03-0.5 X 12, 4.8, 2-15
- Screw, Pan, M03-0.5 X 25, 4.8, 2-39, 2-41
- Screw, Pan, M04-0.7 X 10, Ss, 2-47, 3-3
- Screw, Pan, M05-0.8 X 16, 4.8, 2-17
- Screw, Pan, M06-1.0 X 12, Ss, 2-9
- Screw, Pan, M06-1.0 X 16, 4.8, 2-17
- Screw, Pan, M06-1.0 X 20, 4.8, 2-15, 2-17
- Screw, Pan, M06-1.0 X 35, 4.8, 2-17
- Screw, Pan, M08-1.25X 20, 4.8, 2-13, 2-15
- Screw, Set, .25-20 X 0.25, Al, 2-13
- Screw, Set, .31-18 X 0.38, NI, 2-13
- Screw, Set, M06-1.0 X 8, NI, 2-45
- Screw, Set, M06-1.0 X 16, 45H, 2-45
- Screw, Set, M06-1.0 X 8, NI, 2-39
- Screw, Shoulder, .312D X 0.62L .25-20, 3-7
- Screw, Soc, M08-1.25 X 16, Al, 2-27, 2-35
- Screw, Soc, M10 X 1.5 X 40, 12.9, 2-53
- Screw, Soc, M6 X 1.0 X 20, 12.9, NI, 2-21
- Screw, 4-3
- Seal, Afmkt, Bulb, Str, 0.76, 0.93w 01ft, 2-2, 2-7
- Seal, Afmkt, Bulb, Str, 0.76, 0.93w 03ft, 2-2, 2-7
- Seal, Afmkt, Bulb, Str, 0.76, 0.93w 08f, 2-51
- Seal, Afmkt, Bulb, Str, 0.76, 0.93w 08ft, 2-2
- Seal, Fan, 4-3, 4-5
- Seal, Felt, .19, 4.3d 04.0h, 2-19
- Seal, Felt, 0.19th, 4.3d 04.0h, 2-23
- Seal, Hopper, Lip, 2-51
- Seal, Hppr, Lip, 2-2
- Seal, Inlet, Fan, 2-45
- Seal, Inlet, Wand, Vacuum, 3-7
- Seal, Metripk Plug, 4-11
- Seal, Panel, 2-13
- Seal, Rbr, Close, .25T .50W, 2-11, 3-15
- Seal, Rbr, Clsd, 0.25, 0.50w 31.2l Adh, 2-35
- Seal, Rbr, Clsd, 0.375, 5.0d 2.5h, 3-9
- Seal, Ring, 4-19
- Seal, Vac Fan, 3-9
- Seal, 2-21, 3-46
- Seat Assy, Electric, W/Label 6200, 2-11
- Seat Kit, Std, Replmt, 2-11
- Seat, Std [Michigan, Model V-2505], 2-11
- Seat, Suspension, 3-44
- Seatbelt Kit 6200, 3-45
- Sensor, Pedal Position, 2-27
- Sensor, Position, Pedal, 2-29
- Shaft Wldt, Actuator, Door, 2-51
- Shaft, Brush Drive .88Dx5.2L ., 2-39
- Shaft, Drive, Vacfan, .66d 03.4l, 2-45
- Shaft, Drive, Vacfan, 2-2
- Shaft, Fan, 2-45
- Shaft, Steering, Lower, 2-13
- Shaft, Steering, 2-13
- Sheave, 3L, 1G, 2.011Pd, 0.375ld, 2-45
- Sheave, 3L, 1G, 3.750Pd, 0.625ld, 2-45
- Sheave, 2-39
- Shell, 4-3, 4-5
- Shoe Assy, Brake, 180 X 30mm, 2-2
- Shoe, Brake, 2-25
- Shroud, Front, 2-7
- Shroud, Lh, 6200, 2-7
- Shroud, Rh, 6200, 2-7
- Skirt, Deflector, Sidebrush, 2-33
- Skirt, Front, 2-2, 2-35
- Skirt, Recirc, 2-33
- Skirt, Recirculation, Front, 2-2
- Skirt, Recirculation, Rear, 2-2
- Skirt, Recirculation, 2-2, 2-33
- Skirt, Side, Lh, 2-2
- Skirt, Side, Rh, 2-2
- Skirt, Side, 2-2
- Sleeve Assy, Bearing, 2-21
- Sleeve, .318B .496D .929Ss, 3-7
- Sleeve, .438ld X 1.00Od X 1.00, 2-53
- Sleeve, Nyl, #17 30.0l, 2-23
- Sleeve, Nylon, 2-21
- Sleeve, P/M, 0.437d 0.318b 1.15l 430 Ss, 2-7
- Sleeve, 2-7, 2-35, 2-41, 2-45, 3-5, 3-11
- Snap Ring, 4-6, 4-8
- Solenoid, Filter Shaker, 2-47
- Spacer, 3.00D 1.25ld .12Nyl, 2-49
- Spacer, Alm, 4-19
- Spacer, Battery 2.25X4.75X26.0, 3-35, 3-37
- Spacer, Pivot, Arm, Lift, 2-49
- Spacer, Round, Brush, Main, 2-39
- Spacer, Spring, 3-3
- Spacer, 2-27, 2-37, 3-3, 3-7, 3-39, 4-3, 4-5
- Spring, Extension, 2-43, 3-3, 3-13
- Spring, Extn, 0.43od 0.05wir 01.4l, 2-47
- Spring, Parking Brake, 2-25
- Spring, Retaining, Brush, 4-8, 4-9
- Spring, Return, Brake, 2-25
- Spring, Tension, 2-35, 2-39, 3-5
- Spring, Torsion, 2-25, 3-3
- Spring, Die .50 ld 1.00 Od 1.25, 2-43, 3-13
- Spring, 4-3, 4-5
- Sprocket, #35, 92tooth, 3.625b, 2-19, 2-23
- Sprocket, Steering, 2-13
- Stationary Fan, 4-3, 4-5
- Strain Relief, D.C., 4-12, 4-13
- Strap, Nylon, 2-25
- Strip, Control Spring, 2-27
- Strip, Link, Brush Lift, 2-39
- Strip, Retainer, 2-33
- Support Wldt, Recirculation, 2-33
- Switch Assy, Roller, No, 2-49, 3-5
- Switch, Ignition, 2-15
- Switch, Pushbutton, 3-48
- Switch, Pushmom, Spst100A 12V, 2-15
- Switch, Red Stop, 4-12, 4-13
- Switch, Rocker, 36vdc 05a Dpdt On/Off/On, 3-21, 3-23, 3-25, 3-27, 3-31
- Switch, Rocker, 36vdc, 05a Dpdt Mo/Off/Mo, 2-15
- Switch, Rocker, 36vdc, 05a Dpdt On/Off/Mo, 2-15
- Switch, Rocker, Dpdt, 2-15
- Switch, Rocker, Hole Plug, 2-15
- Switch, Rocker, Mom, On-Off,, 2-15
- Switch, Rocker, Spdt, 3Pos, 3-21, 3-23, 3-25, 3-27, 3-31
- Switch, Safety, Shutoff, 3-48
- Switch, Seat, No [Delta 6440-04], 2-11
- Switch, Seat, 2-11
- Switch, Snap Actn, 250vdc 20a Dpdt, 2-41
- Switch, Snap Actn, 250vdc 25a Spdt, 2-39
- Switch, Snap, 1.0A Spdt, Rlr, 2-29

**T**

Terminal, Female, 4-3, 4-5, 4-6, 4-7  
 Terminal, Metripk Female 10ga, 4-11  
 Thermostat, Spdt Switch, 2-45  
 Tie, Cable 1.75D Max 7.50Lg, 2-7, 2-39,  
 2-47, 3-21, 3-23, 3-25, 3-27, 3-31  
 Tie, Cable 4.00 Max 14.50Lg, 2-45  
 Timer, 36vdc, 5a [25hz Pwm, 70%duty],  
 2-17  
 Tire & Rim Assy, 2-31  
 Tire Assy, Solid, 12.0 X 3.5 3.5bc 3bolt,  
 3-47  
 Tire Assy, Solid, 12.0 X 4.0 2.3d Hub,  
 2-21, 3-46  
 Tire, Solid, 300Mm X 100Mm Red, 4-19  
 Tower Assy, Electric, W/Label, 6200,  
 2-11  
 Transformer, Power, 4-14  
 Tray, Battery, 2-55  
 Tread, Non Skid, 2.2w 11.5l, 2-27  
 Tread, Non-Skid, 2-29  
 Tube, 0.25id 0.52od 0.34l, Stl, 3-9  
 Tube, 0.38d 0.26b 0.6l Stl Plt,  
 2-53  
 Tube, Steel .26X.50X3.16L, 3-9  
 Tube, Stl, .875B 3.25D .30l, 2-49  
 Tube, Vac Wand, 3-5  
 Tube, 2-33

**V**

Vacuum Fan, 4-3, 4-5  
 Varistor, 4-12, 4-13, 4-16, 4-17  
 Video, Oprtr, Dvd [6200], 3-49

**W**

Washer, .510B 1.00D .03Nylon, 2-49  
 Washer, .81B 295Od .12, Stl, 2-49  
 Washer, .875B 2.5Od, .12W Rewo, 2-49  
 Washer, 0.52b 0.90d .07, Stl, Pl, 2-2  
 Washer, 1.27b 2.38d .08, Stl, Pl, 2-19  
 Washer, Belleville, .25, 2-45  
 Washer, Belleville, .38, 2-13  
 Washer, Belleville, 2-37  
 Washer, Flat, .25 Hard, 2-7, 2-11, 2-17,  
 2-27, 2-33, 2-39, 2-45, 3-5, 3-7,  
 3-21, 3-23, 3-25, 3-27  
 Washer, Flat, .25 Sae, 2-9, 2-11, 2-15,  
 2-17, 2-49, 2-55, 3-7, 3-9, 3-15,  
 3-25, 3-27  
 Washer, Flat, .25 Ss, 2-43, 3-13, 3-15,  
 3-19  
 Washer, Flat, .31 Fender, 2-2, 2-11,  
 2-33  
 Washer, Flat, .31 Hard, 2-7, 2-11, 2-15,  
 2-17, 2-21, 2-25, 2-33, 2-35,  
 2-37, 2-39, 2-41, 2-45, 2-47,  
 2-51, 3-5, 3-7, 3-9, 3-11, 3-15,  
 3-19, 3-33, 3-43, 3-44  
 Washer, Flat, .31 Sae, 2-11, 2-13, 2-17,  
 2-41, 3-9

Washer, Flat, .31 Ss, 2-55, 3-17, 3-19  
 Washer, Flat, .38 Hard, 2-13, 2-37,  
 2-39, 2-53, 3-3, 3-5, 3-15, 3-19  
 Washer, Flat, .38 Sae, 2-27, 3-7, 3-29  
 Washer, Flat, .50 Hard, 2-13, 2-41, 3-11  
 Washer, Flat, .50 Sae, 2-27, 2-49, 3-29,  
 3-45  
 Washer, Flat, .75 Sae, 3-19  
 Washer, Flat, #08, 2-47  
 Washer, Flat, #10 Sae, 2-47  
 Washer, Flat, #10 Ss, 2-27  
 Washer, Flat, #10, 2-49, 3-7  
 Washer, Flat, 0.28b 1.38d .12, Hrs Pl,  
 2-53  
 Washer, Flat, 0.31, Std, 2-23  
 Washer, Flat, 1.27b 2.38d .08, Crs, Pl,  
 2-23  
 Washer, Flat, M16, 17 X30X3Ss, 2-43,  
 3-13  
 Washer, Flat, M20, 21 X37X3, 2-25  
 Washer, Lock, Int, .25, 2-17  
 Washer, Lock, Int, .31, 2-11, 2-17, 3-9  
 Washer, Lock, Int, #04, 2-15, 2-39, 2-41  
 Washer, Lock, Int, #08, 2-47  
 Washer, Lock, Int, #10, 2-27  
 Washer, Neo., 4-3, 4-5  
 Washer, Neoprene, 3-5  
 Washer, Thrust, 2.75b 3.62d .03 Toring,  
 2-19  
 Washer, Thrust, 2.75b 3.62d 0.03, 2-23  
 Washer, Thrust, 3-5  
 Washer, 2-21, 2-31, 2-35, 2-39, 2-45,  
 3-3, 3-5, 3-43, 3-46, 4-3  
 Wavy Washer, 4-6  
 Wheel Assy, Drive (See Breakdowns),  
 2-23  
 Wheel Assy, Drive, 4-19  
 Wheel Assy, Front, 6200, 2-21  
 Wheel Assy, Front, 3-46  
 Wheel, Bumper 3.0 Od, 2-7  
 Wheel, Bumper, 4 In Dia, 2-7  
 Wheel, Steering, 2-13  
 Wire Assy, 9.0 Lg., 4 Ga., 2-17  
 Wire Assy, Cable-46.0, 6Ga, Bl, 2-21  
 Wire Assy, Cable-48.0, 6Ga, Bl, 2-21  
 Wire, 2-55, 3-17



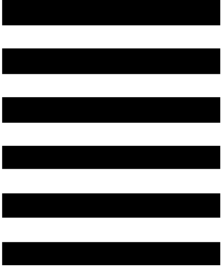




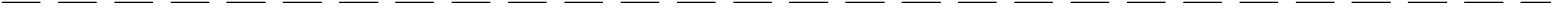
**TENNANT COMPANY**  
 Technical Publications #15  
 701 North Lilac Drive  
 P.O. Box 1452  
 Minneapolis, MN 55440-9947

POSTAGE WILL BE PAID BY ADDRESSEE

**BUSINESS REPLY MAIL**  
 FIRST CLASS MAIL PERMIT NO. 94 MINNEAPOLIS, MN

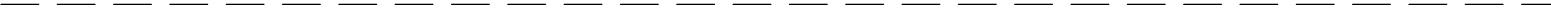


NO POSTAGE  
 NECESSARY  
 IF MAILED  
 IN THE  
 UNITED STATES



Fold along dotted lines

Tape here



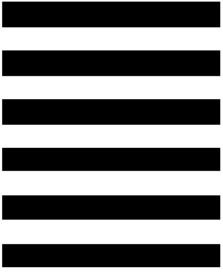




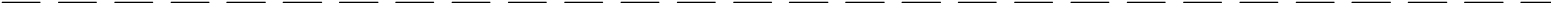
**TENNANT COMPANY**  
 Technical Publications #15  
 701 North Lilac Drive  
 P.O. Box 1452  
 Minneapolis, MN 55440-9947

POSTAGE WILL BE PAID BY ADDRESSEE

**BUSINESS REPLY MAIL**  
 FIRST CLASS MAIL PERMIT NO. 94 MINNEAPOLIS, MN



NO POSTAGE  
 NECESSARY  
 IF MAILED  
 IN THE  
 UNITED STATES



Fold along dotted lines

Tape here

