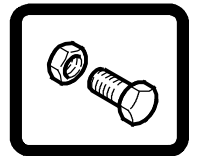




T600e/T600

Walk-Behind Floor Scrubber

Parts Manual



(S/N 10000000-20000000)



Hygenic[®] Fully Cleanable Recovery Tank
Tennant True[®] Parts
IRIS[®] a Tennant Technology
Pro-Panel[®] Controls
Insta-Fit[™] Adapter
Smart-Fill[™] Automatic Battery Watering



North America / International

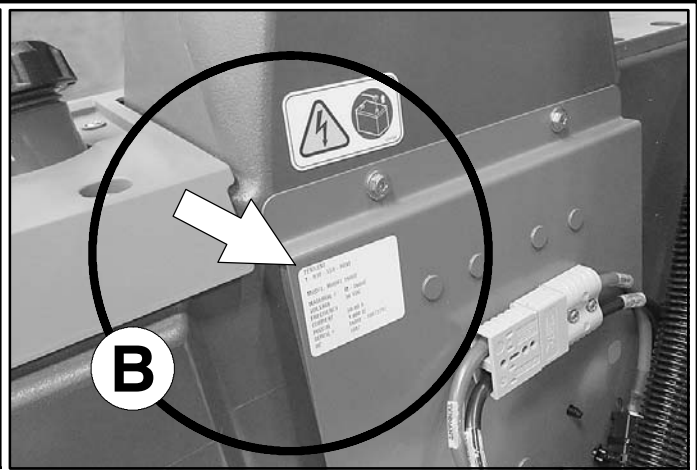
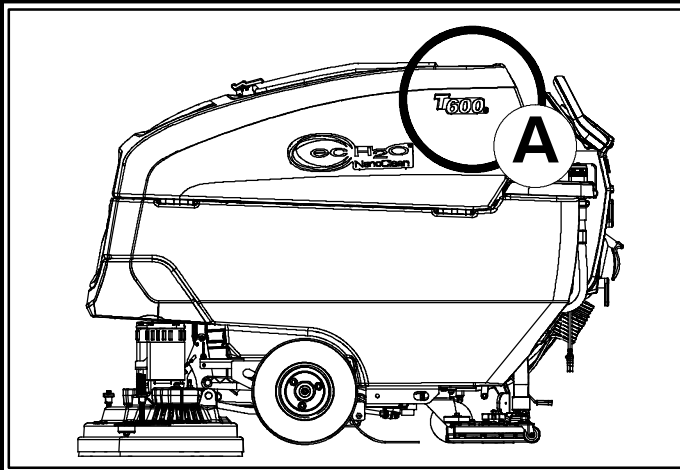


For the latest Parts manuals and other language Operator manuals, visit:

www.tennantco.com/manual

9016599
Rev. 00 (01-2018)





Ref	Part No.	Serial Number	Description	Qty.
1	82681	(000000-)	Bracket Wldt, Lpg Mount	1
∇ 2	63810	(000000-)	Latch Assy, Lpg Tank Mtg, W/Nut	4
▲ 3	51839	(000000-)	Nut Adjustable, Lpg Tank Mtg	2
4	49263	(000000-)	Tie, Cable	3
(D)	82556	(000000- 001039)	Bracket, Vaporizer	1
	54930	(000000-)	Vaporizer, LPG	1

HOW TO ORDER PARTS - See diagram above

Only use TENNANT Company supplied or equivalent parts. Parts and supplies may be ordered online, by phone, by fax or by mail.

Follow the steps below to ensure prompt delivery.

1. (A) Identify the machine model.
2. (B) Identify the machine serial number from the data label.
3. (C) Ensure the proper serial number is used from the parts list.
4. Identify the part number and quantity.
Do not order by page or reference numbers.
5. Provide your name, company name, customer ID number, billing and shipping address, phone number and purchase order number.
6. Provide detail shipping instructions.

- (D) ∇ - identifies an assembly
 ▲ - identifies parts included in assembly

Please fill out at time of installation for future reference.

Model No. - _____

Serial No. - _____

Machine Options - _____

Sales Rep. - _____

Sales Rep. phone no. - _____

Customer ID Number - _____

Installation Date - _____

Tennant Company
 PO Box 1452
 Minneapolis, MN 55440 USA
 Phone: (800) 553-8033
 www.tennantco.com

Specifications and parts are subject to change without notice.

Copyright © 2018 TENNANT Company, Printed in U.S.A.

ES	<p>CÓMO SOLICITAR PIEZAS - Consulte el diagrama anterior.</p> <p>Utilice sólo las piezas suministradas por TENNANT Company o piezas equivalentes. Puede solicitar las piezas a través de internet, por teléfono, por fax o por correo.</p> <p>Siga los siguientes pasos para que la entrega sea rápida.</p> <ol style="list-style-type: none"> 1. (A) Indique el modelo de máquina. 2. (B) Indique el número de serie de la etiqueta de datos. 3. (C) Asegúrese de que indica el número de serie correcto de la lista de piezas. 4. Indique la cantidad y el número de la pieza. No realice el pedido indicando el número de página o el de referencia. 5. Incluya su nombre, el nombre de la empresa, el ID de cliente, las direcciones de envío y facturación, el número de teléfono y el número del pedido de compra. 6. Facilite instrucciones de envío. <hr/> <p>(D) ▽ - identifica un conjunto ▲ - identifica piezas de un conjunto</p>	<p>Rellene estos datos cuando realice la instalación para utilizarlos como referencia en el futuro.</p> <p>Nº modelo - _____</p> <p>Nº serie - _____</p> <p>Opciones de la máquina - _____</p> <p>Vendedor - _____</p> <p>Nº teléfono vendedor - _____</p> <p>Nº cliente - _____</p> <p>Fecha de instalación - _____</p>
-----------	-------------------------------------------------------------------------------------------------------------------------------------------------------------------------------------------------------------------------------------------------------------------------------------------------------------------------------------------------------------------------------------------------------------------------------------------------------------------------------------------------------------------------------------------------------------------------------------------------------------------------------------------------------------------------------------------------------------------------------------------------------------------------------------------------------------------------------------------------------------------------------------------------------------------------------------------------------------------------------------------------------------------------------------------------------------------	---------------------------------------------------------------------------------------------------------------------------------------------------------------------------------------------------------------------------------------------------------------------------------------------------------------------------------

FR	<p>COMMENT COMMANDER DES PIÈCES DÉTACHÉES - Voir le schéma ci-dessus.</p> <p>Utilisez uniquement des pièces fournies par la société TENNANT ou équivalentes. Les pièces et fournitures peuvent être commandées en ligne, par téléphone, fax, ou par courrier.</p> <p>Suivez les étapes ci-dessous pour assurer une livraison rapide.</p> <ol style="list-style-type: none"> 1. (A) Identifiez le modèle de la machine. 2. (B) Identifiez le numéro de série de la machine, à partir de l'étiquette signalétique. 3. (C) Assurez-vous que le numéro de série correct est utilisé à partir de la liste de pièces détachées. 4. Identifiez le numéro de pièce et la quantité. Ne commandez pas par page ou numéros de référence. 5. Fournissez votre nom, le nom de votre société, votre numéro d'identification de client, l'adresse de facturation et d'expédition, le numéro de téléphone et le numéro du bon de commande. 6. Fournissez des instructions d'expédition détaillées. <hr/> <p>(D) ▽ - identifie un assemblage ▲ - identifie les pièces composant l'assemblage</p>	<p>A remplir au moment de l'installation à titre de référence.</p> <p>Nº du modèle - _____</p> <p>Nº de série - _____</p> <p>Options de la machine - _____</p> <p>Agent commercial - _____</p> <p>Nº tél. de l'agent commercial - _____</p> <p>Numéro d'identification client - _____</p> <p>Date d'installation - _____</p>
-----------	-------------------------------------------------------------------------------------------------------------------------------------------------------------------------------------------------------------------------------------------------------------------------------------------------------------------------------------------------------------------------------------------------------------------------------------------------------------------------------------------------------------------------------------------------------------------------------------------------------------------------------------------------------------------------------------------------------------------------------------------------------------------------------------------------------------------------------------------------------------------------------------------------------------------------------------------------------------------------------------------------------------------------------------------------------------------------------------------------------------------------------------------------------------------------------------------------	-------------------------------------------------------------------------------------------------------------------------------------------------------------------------------------------------------------------------------------------------------------------------------------------------------------------------------------

STANDARD PARTS

GENERAL RECOMMENDED MAINTENANCE ITEMS	7
REPLACEMENT BRUSHES AND PAD DRIVER DISK	10
REPLACEMENT BRUSHES CYLINDRICAL	12
REPLACEMENT PADS ORBITAL	13
SCRUB HEAD GROUP, DISK 700MM / 28IN ...	14
SCRUB HEAD GROUP, DISK 800MM / 32IN ...	16
SCRUB HEAD GROUP, DISK 900MM / 36IN ...	18
SCRUB HEAD GROUP, CYLINDRICAL 700MM / 28IN	20
SCRUB HEAD GROUP, CYLINDRICAL 700MM / 28IN - CONT'D	22
SCRUB HEAD GROUP, CYLINDRICAL 800MM / 32IN	24
SCRUB HEAD GROUP, CYLINDRICAL 800MM / 32IN - CONT'D	26
SCRUB HEAD GROUP, ORBITAL 700MM / 28IN	28
RECOVERY TANK GROUP	30
RECOVERY TANK COVER GROUP	32
RECOVERY TANK FILTER AND HOSE GROUP, PINCH TWIST CAP	34
SOLUTION TANK GROUP, STANDARD FILL ...	36
SOLUTION TANK GROUP, AUTO- FILL	38
STANDARD ELECTRICAL GROUP (T600e MODEL)	40
STANDARD ELECTRICAL GROUP (T600 MODEL)	42
FRAME AND DRIVE GROUP, WITHOUT PARK LOCK	44
FRAME AND DRIVE GROUP, WITH PARK LOCK	46
HEAD LIFT GROUP, DISK	48
HEAD LIFT GROUP, CYLINDRICAL	50
HEAD LIFT GROUP, ORBITAL	52

SHROUD GROUP, DISK AND ORBITAL	54
SHROUD GROUP, CYLINDRICAL	55
LOWER CONSOLE GROUP, ON- BOARD CHARGER	56
LOWER CONSOLE GROUP, OFF- BOARD CHARGER	58
CONSOLE HANDLE, MEMBRANE PANEL (T600e MODEL)	60
CONSOLE HANDLE, PRO- MEMBRANE PANEL (T600 MODEL)	62
CONSOLE HANDLE, PRO- PANEL LCD (T600 MODEL)	64
SQUEEGEE LIFT GROUP	66
SQUEEGEE ASSEMBLY, 650MM / 26IN (Intended for 700MM Scrub Head Size)	68
SQUEEGEE ASSEMBLY, 700MM / 28IN (Intended for 800MM Scrub Head Size)	70
SQUEEGEE ASSEMBLY, 800MM / 32IN (Intended for 900MM Scrub Head Size)	72
STANDARD SOLUTION GROUP	74
STANDARD LABEL GROUP	76
ELECTRICAL DIAGRAM T600e MODEL	78
ELECTRICAL DIAGRAM T600 MODEL	82
ELECTRICAL HARNESS, MAIN T600e MODEL .	86
ELECTRICAL HARNESS, OPERATOR STATION T600e MODEL	92
ELECTRICAL HARNESS, MAIN T600 MODEL ..	94
ELECTRICAL HARNESS, OPERATOR STATION T600 MODEL	100
ELECTRICAL HARNESS, BAIL SWITCH	102

TABLE OF CONTENTS

OPTIONS

BATTERY GROUP, WET 210AH	104
BATTERY GROUP, WET 240AH	106
BATTERY GROUP, WET 360AH	108
BATTERY GROUP, TPPL (FAST CHARGE)	110
SMART-FILL™ AUTOMATIC BATTERY WATERING GROUP	112
HYDROLINK® MANUAL BATTERY WATERING KIT	114
TELEMETRY GROUP (T600e MODEL)	116
TELEMETRY GROUP (T600 MODEL)	118
ec-H2O SOLUTION GROUP	120
SEVERE ENVIRONMENT SOLUTION GROUP .	122
RECOVERY TANK RINSE, WITH CONVENTIONAL (T600 MODEL)	124
RECOVERY TANK RINSE, WITH ec- H2O (T600 MODEL)	126
RECOVERY TANK HOSE GROUP, VALVE	128
SOLUTION TANK AUTO-FILL KIT	130
TALL WET FLOOR SIGN HANGER KIT	131
TRANSPORT KIT	132
DOCUMENTATION GROUP	133

BREAKDOWNS

ec- H2O NANOCLEAN MODULE BREAKDOWN	134
ORBITAL HEAD ECCENTRIC DRIVE BREAKDOWN	136

RECOMMENDED MAINTENANCE ITEMS

GENERAL RECOMMENDED MAINTENANCE ITEMS

Part No.	Serial Number	Description	Qty.
1234464	(10000000- 20000000)	Brush Assy, Disk, Scb, 14.0d, Pyp	2
1234463	(10000000- 20000000)	Brush Assy, Disk, Scb, 14.0d, Nyl	2
1234465	(10000000- 20000000)	Brush Assy, Disk, Scb, 14.0d, Sab	2
1234524	(10000000- 20000000)	Brush Assy, Disk, Scb, 16.0d, Pyp	2
1234525	(10000000- 20000000)	Brush Assy, Disk, Scb, 16.0d, Hd Pyp	2
1234523	(10000000- 20000000)	Brush Assy, Disk, Scb, 16.0d, Nyl	2
1234526	(10000000- 20000000)	Brush Assy, Disk, Scb, 16.0d, Sab	2
1230859	(10000000- 20000000)	Brush Assy, Disk, Scb, 18.0d, Pyp	2
1230858	(10000000- 20000000)	Brush Assy, Disk, Scb, 18.0d, Nyl	2
1230860	(10000000- 20000000)	Brush Assy, Disk, Scb, 18.0d, Sab	2
222327	(10000000- 20000000)	Pad, Stripping, 14.0d, Brown[1pick=1pad]	2
222326	(10000000- 20000000)	Pad, Scb, 14.0d, Blu [1pick=1pad]	2
222325	(10000000- 20000000)	Pad, Buff, 14.0d, Red	2
222324	(10000000- 20000000)	Pad, Polish, 14.0d, White [1pick=1pad]	2
370091	(10000000- 20000000)	Pad, Stripping, 14.0d, Blk [Hi Prod]	2
1051026	(10000000- 20000000)	Pad, Surf Prep, 14.0d [Mar, 1pick=1pad]	2
63248- 1	(10000000- 20000000)	Pad, Stripping, 16.0d, Brown[1pick=1pad]	2
63248- 2	(10000000- 20000000)	Pad, Scb, 16.0d, Blu [1pick=1pad]	2
63248- 3	(10000000- 20000000)	Pad, Buff, 16.0d, Red [1pick=1pad]	2
63248- 4	(10000000- 20000000)	Pad, Polish, 16.0d, White [1pick=1pad]	2
370092	(10000000- 20000000)	Pad, Stripping, 16.0d, Blk [Hi Prod]	2
1051027	(10000000- 20000000)	Pad, Surf Prep, 16.0d [Mar, 1pick=1pad]	2
11777	(10000000- 20000000)	Pad, Stripping, 18.0d, Brown[1pick=1pad]	2
11778	(10000000- 20000000)	Pad, Scb, 18.0d, Blu [1pick=1pad]	2
11780	(10000000- 20000000)	Pad, Buff, 18.0d, Red [1pick=1pad]	2
11781	(10000000- 20000000)	Pad, Polish, 18.0d, White [1pick=1pad]	2
370093	(10000000- 20000000)	Pad, Stripping, 18.0d, Blk [1pick=1pad]	2
222304	(10000000- 20000000)	Brush, Scb, 28l, 18sr, Pyp, Spl	2
374041	(10000000- 20000000)	Brush, Scb, 28l, 18sr, Hd Pyp, Spl	2
222305	(10000000- 20000000)	Brush, Scb, 28l, 18sr, Nyl, Spl	2
222306	(10000000- 20000000)	Brush, Scb, 28l, 18sr, Abr, Spl	2
222307	(10000000- 20000000)	Brush, Scb, 32l, 18sr, Pyp, Spl [Grout]	2
374042	(10000000- 20000000)	Brush, Scb, 32l, 18sr, Hd Pyp, Spl	2
222308	(10000000- 20000000)	Brush, Scb, 32l, 18sr, Nyl, Spl	2
222309	(10000000- 20000000)	Brush, Scb, 32l, 18sr, Abr, Spl	2
1223247	(10000000- 20000000)	Pad, Scb, 28 X 14, Blu [1pick=1pc]	1
1218157	(10000000- 20000000)	Pad, Buff, 28 X 14, Red [1pick=1pc]	1
1223246	(10000000- 20000000)	Pad, Polish, 28 X 14, White [1pick=1pc]	1
1223248	(10000000- 20000000)	Pad, Surf Prep, 28 X 14, Mar [1pick=1pc]	1
1223250	(10000000- 20000000)	Pad, Scb, 28 X 14, Green [1pick=1ctn]	1
1075563	(10000000- 20000000)	Pad, Stripping, 28 X 14, Blk [1pick=1ctn]	1
1228002	(10000000- 20000000)	Pad, Melamine, 14" X 28" [Case Of 5]	1
1221839	(10000000- 20000000)	Pad, Backer, 28 X 14 (Includes Velcro Fasteners)	1

RECOMMENDED MAINTENANCE ITEMS

GENERAL RECOMMENDED MAINTENANCE ITEMS

	Part No.	Serial Number	Description	Qty.
▽	9015734	(10000000- 20000000)	Blade Kit, 650mm, Linatex/Linard (Standard - Intended for 700mm Scrub Head Size)	1
▲	1221585	(10000000- 20000000)	Blade, Sqge, Rear, 1166l, Linatex[650mm] (Standard)	1
▲	1232680	(10000000- 20000000)	Blade, Sqge, Front, 1072l Linard[650mm] (Standard)	1
▽	9015735	(10000000- 20000000)	Blade Kit, 650mm, Urethane (Option - Intended for 700mm Scrub Head Size)	1
▲	1228909	(10000000- 20000000)	Blade, Sqge, Rear, 1136l,Urethane[650mm] (Option)	1
▲	1228915	(10000000- 20000000)	Blade, Sqge, Front,1072l,Urethane[650mm] (Option)	1
▽	9015733	(10000000- 20000000)	Blade Kit, 650mm, Gum (Option - Intended for 700mm Scrub Head Size)	1
▲	1228910	(10000000- 20000000)	Blade, Sqge, Rear, 1136l, Gum[650mm] (Option)	1
▲	1228919	(10000000- 20000000)	Blade, Sqge, Front, 1072l Gum[650mm] (Option)	1
▽	9015737	(10000000- 20000000)	Blade Kit, 700mm, Linatex/Linard (Standard - Intended for 800mm Scrub Head Size)	1
▲	1221572	(10000000- 20000000)	Blade, Sqge, Rear, 1204l, Linatex[700mm] (Standard)	1
▲	1232679	(10000000- 20000000)	Blade, Sqge, Front, 1148l Linard[700mm] (Standard)	1
▽	9015738	(10000000- 20000000)	Blade Kit, 700mm, Urethane (Option - Intended for 800mm Scrub Head Size)	1
▲	1228904	(10000000- 20000000)	Blade, Sqge, Rear, 1204l,Urethane[700mm] (Option)	1
▲	1228906	(10000000- 20000000)	Blade, Sqge, Front,1148l Urethane[700mm] (Option)	1
▽	9015736	(10000000- 20000000)	Blade Kit, 700mm, Gum (Option - Intended for 800mm Scrub Head Size)	1
▲	1228905	(10000000- 20000000)	Blade, Sqge, Rear, 1204l, Gum[700mm] (Option)	1
▲	1228907	(10000000- 20000000)	Blade, Sqge, Front, 1148l Gum[700mm] (Option)	1
▽	9015740	(10000000- 20000000)	Blade Kit, 800mm, Linatex/Linard (Standard - Intended for 900mm Scrub Head Size)	1
▲	1221115	(10000000- 20000000)	Blade, Sqge, Rear, 1306l, Linatex[800mm] (Standard)	1
▲	1232681	(10000000- 20000000)	Blade, Sqge, Front, 1256l Linard[800mm] (Standard)	1
▽	9015741	(10000000- 20000000)	Blade Kit, 800mm, Urethane (Option - Intended for 900mm Scrub Head Size)	1
▲	1228920	(10000000- 20000000)	Blade, Sqge, Rear, 1306l,Urethane[800mm] (Option)	1
▲	1228922	(10000000- 20000000)	Blade, Sqge, Front,1256l Urethane[800mm] (Option)	1
▽	9015739	(10000000- 20000000)	Blade Kit, 800mm, Gum (Option - Intended for 900mm Scrub Head Size)	1
▲	1228921	(10000000- 20000000)	Blade, Sqge, Rear, 1306l, Gum[800mm] (Option)	1
▲	1228923	(10000000- 20000000)	Blade, Sqge, Front, 1256l Gum[800mm] (Option)	1

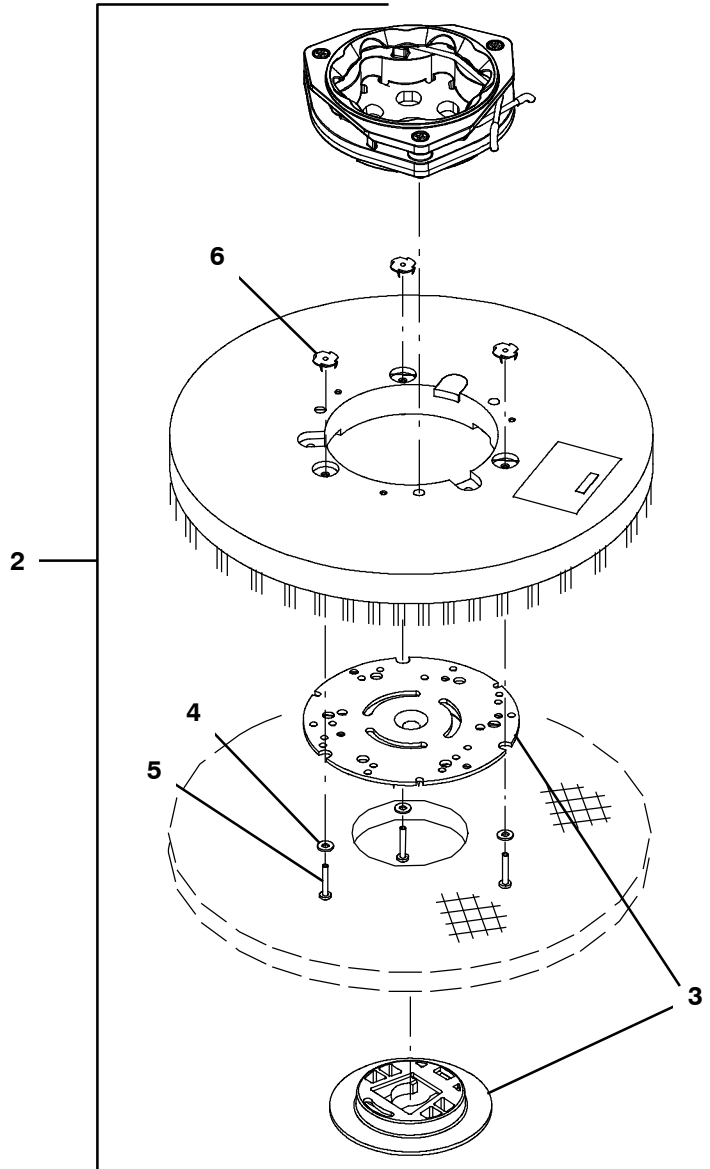
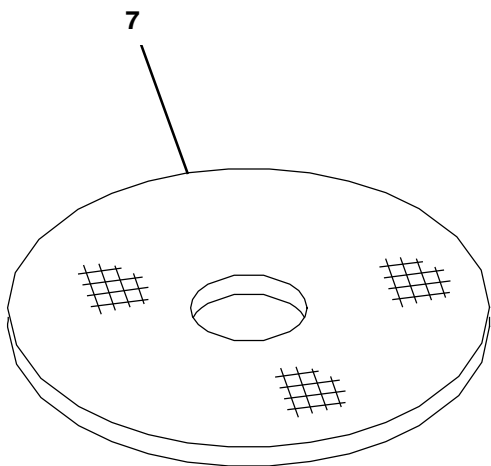
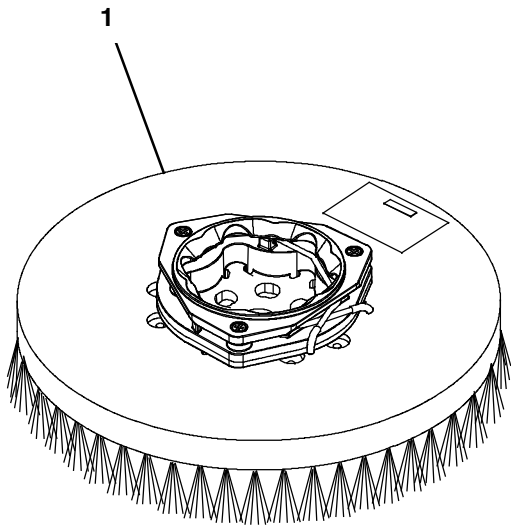
RECOMMENDED MAINTENANCE ITEMS

GENERAL RECOMMENDED MAINTENANCE ITEMS

	Part No.	Serial Number	Description	Qty.
▽	9017498	(10000000- 20000000)	Parts Kit, Maint, Afmkt 650 [T600/E] (Intended for 700MM Scrub Head Size)	1
▲	1230171	(10000000- 20000000)	Tray, Debris [T600]	1
▲	9017507	(10000000- 20000000)	Hose Kit, Drain, Pvc, Ci [T600/T600e]	1
▲	9017505	(10000000- 20000000)	Hose Kit, Recvy, Pvc, Ci [T600/T600e]	1
▲	609531	(10000000- 20000000)	Float, Shutoff, Vacuum, 1- Ball, 1.50d	1
▲	1221585	(10000000- 20000000)	Blade, Sqge, Rear, 1166l, Linatex[650mm]	1
▲	1232680	(10000000- 20000000)	Blade, Sqge, Front, 1072l Linard[650mm]	1
▲	1211537	(10000000- 20000000)	Filter, In- Line, Pf06/Pf06 080m 2.6l Epd	1
▽	9017499	(10000000- 20000000)	Parts Kit, Maint, Afmkt 700 [T600/E] (Intended for 800MM Scrub Head Size)	1
▲	1230171	(10000000- 20000000)	Tray, Debris [T600]	1
▲	9017507	(10000000- 20000000)	Hose Kit, Drain, Pvc, Ci [T600/T600e]	1
▲	9017505	(10000000- 20000000)	Hose Kit, Recvy, Pvc, Ci [T600/T600e]	1
▲	609531	(10000000- 20000000)	Float, Shutoff, Vacuum, 1- Ball, 1.50d	1
▲	1221572	(10000000- 20000000)	Blade, Sqge, Rear, 1204l, Linatex[700mm]	1
▲	1232679	(10000000- 20000000)	Blade, Sqge, Front, 1148l Linard[700mm]	1
▲	1211537	(10000000- 20000000)	Filter, In- Line, Pf06/Pf06 080m 2.6l Epd	1
▽	9017500	(10000000- 20000000)	Parts Kit, Maint, Afmkt 800 [T600/E] (Intended for 900MM Scrub Head Size)	1
▲	1230171	(10000000- 20000000)	Tray, Debris [T600]	1
▲	9017507	(10000000- 20000000)	Hose Kit, Drain, Pvc, Ci [T600/T600e]	1
▲	9017505	(10000000- 20000000)	Hose Kit, Recvy, Pvc, Ci [T600/T600e]	1
▲	609531	(10000000- 20000000)	Float, Shutoff, Vacuum, 1- Ball, 1.50d	1
▲	1221115	(10000000- 20000000)	Blade, Sqge, Rear, 1306l, Linatex[800mm]	1
▲	1232681	(10000000- 20000000)	Blade, Sqge, Front, 1256l Linard[800mm]	1
▲	1211537	(10000000- 20000000)	Filter, In- Line, Pf06/Pf06 080m 2.6l Epd	1

REPLACEMENT BRUSHES AND PAD DRIVER DISK

355620



REPLACEMENT BRUSHES AND PAD DRIVER DISK

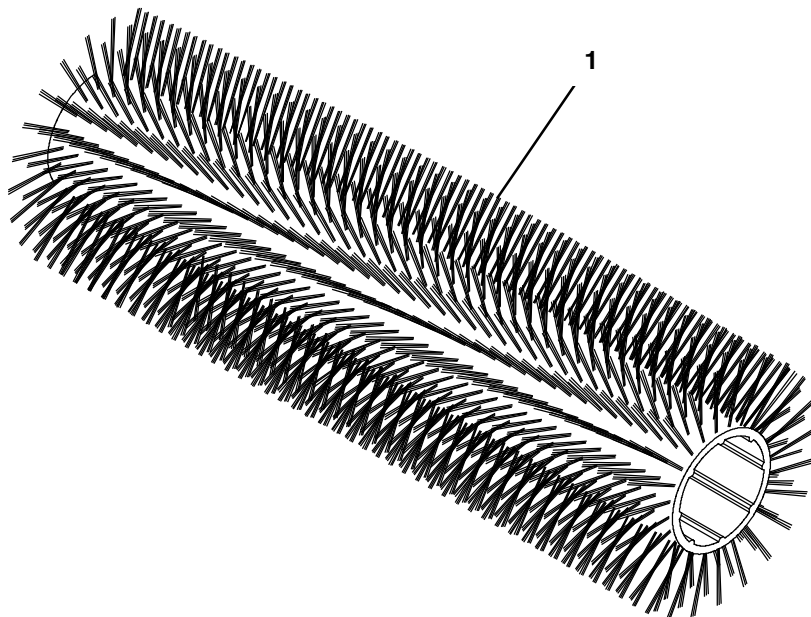
Ref.	Part No.	Serial Number	Description	Qty.
1	1234464	(10000000- 20000000)	Brush Assy, Disk, Scb, 14.0d, Pyp	2
1	1234463	(10000000- 20000000)	Brush Assy, Disk, Scb, 14.0d, Nyl	2
1	1234465	(10000000- 20000000)	Brush Assy, Disk, Scb, 14.0d, Sab	2
1	1234524	(10000000- 20000000)	Brush Assy, Disk, Scb, 16.0d, Pyp	2
1	1234525	(10000000- 20000000)	Brush Assy, Disk, Scb, 16.0d, Hd Pyp	2
1	1234523	(10000000- 20000000)	Brush Assy, Disk, Scb, 16.0d, Nyl	2
1	1234526	(10000000- 20000000)	Brush Assy, Disk, Scb, 16.0d, Sab	2
1	1230859	(10000000- 20000000)	Brush Assy, Disk, Scb, 18.0d, Pyp	2
1	1230858	(10000000- 20000000)	Brush Assy, Disk, Scb, 18.0d, Nyl	2
1	1230860	(10000000- 20000000)	Brush Assy, Disk, Scb, 18.0d, Sab	2
▽	2	1234467	(10000000- 20000000) Driver Assy, Pad, 14.0d, Brush	2
▽	2	1234527	(10000000- 20000000) Driver Assy, Pad, 16.0d, Brush	2
▽	2	1230881	(10000000- 20000000) Driver Assy, Pad, 18.0d, Brush	2
▲	3	370095	(10000000- 20000000) Device, Centering, Clip On, TI [Gf Pp]	1
▲	4	41579	(10000000- 20000000) Washer, Flat, 08, Ss	3
▲	5	04403	(10000000- 20000000) Screw, Pan, Phl, M4 X 0.70 X 25, Nl, Ss	3
▲	6	10908	(10000000- 20000000) Nut, T, M4 X 0.70	3
	7	222327	(10000000- 20000000) Pad, Stripping, 14.0d, Brown[1pick=1pad]	2
	7	222326	(10000000- 20000000) Pad, Scb, 14.0d, Blu [1pick=1pad]	2
	7	222325	(10000000- 20000000) Pad, Buff, 14.0d, Red	2
	7	222324	(10000000- 20000000) Pad, Polish, 14.0d, White [1pick=1pad]	2
	7	370091	(10000000- 20000000) Pad, Stripping, 14.0d, Blk [Hi Prod]	2
	7	1051026	(10000000- 20000000) Pad, Surf Prep, 14.0d [Mar, 1pick=1pad]	2
	7	63248- 1	(10000000- 20000000) Pad, Stripping, 16.0d, Brown[1pick=1pad]	2
	7	63248- 2	(10000000- 20000000) Pad, Scb, 16.0d, Blu [1pick=1pad]	2
	7	63248- 3	(10000000- 20000000) Pad, Buff, 16.0d, Red [1pick=1pad]	2
	7	63248- 4	(10000000- 20000000) Pad, Polish, 16.0d, White [1pick=1pad]	2
	7	370092	(10000000- 20000000) Pad, Stripping, 16.0d, Blk [Hi Prod]	2
	7	1051027	(10000000- 20000000) Pad, Surf Prep, 16.0d [Mar, 1pick=1pad]	2
	7	11777	(10000000- 20000000) Pad, Stripping, 18.0d, Brown[1pick=1pad]	2
	7	11778	(10000000- 20000000) Pad, Scb, 18.0d, Blu [1pick=1pad]	2
	7	11780	(10000000- 20000000) Pad, Buff, 18.0d, Red [1pick=1pad]	2
	7	11781	(10000000- 20000000) Pad, Polish, 18.0d, White [1pick=1pad]	2
	7	370093	(10000000- 20000000) Pad, Stripping, 18.0d, Blk [1pick=1pad]	2

▽ ASSEMBLY

▲ INCLUDED IN ASSEMBLY

REPLACEMENT BRUSHES CYLINDRICAL

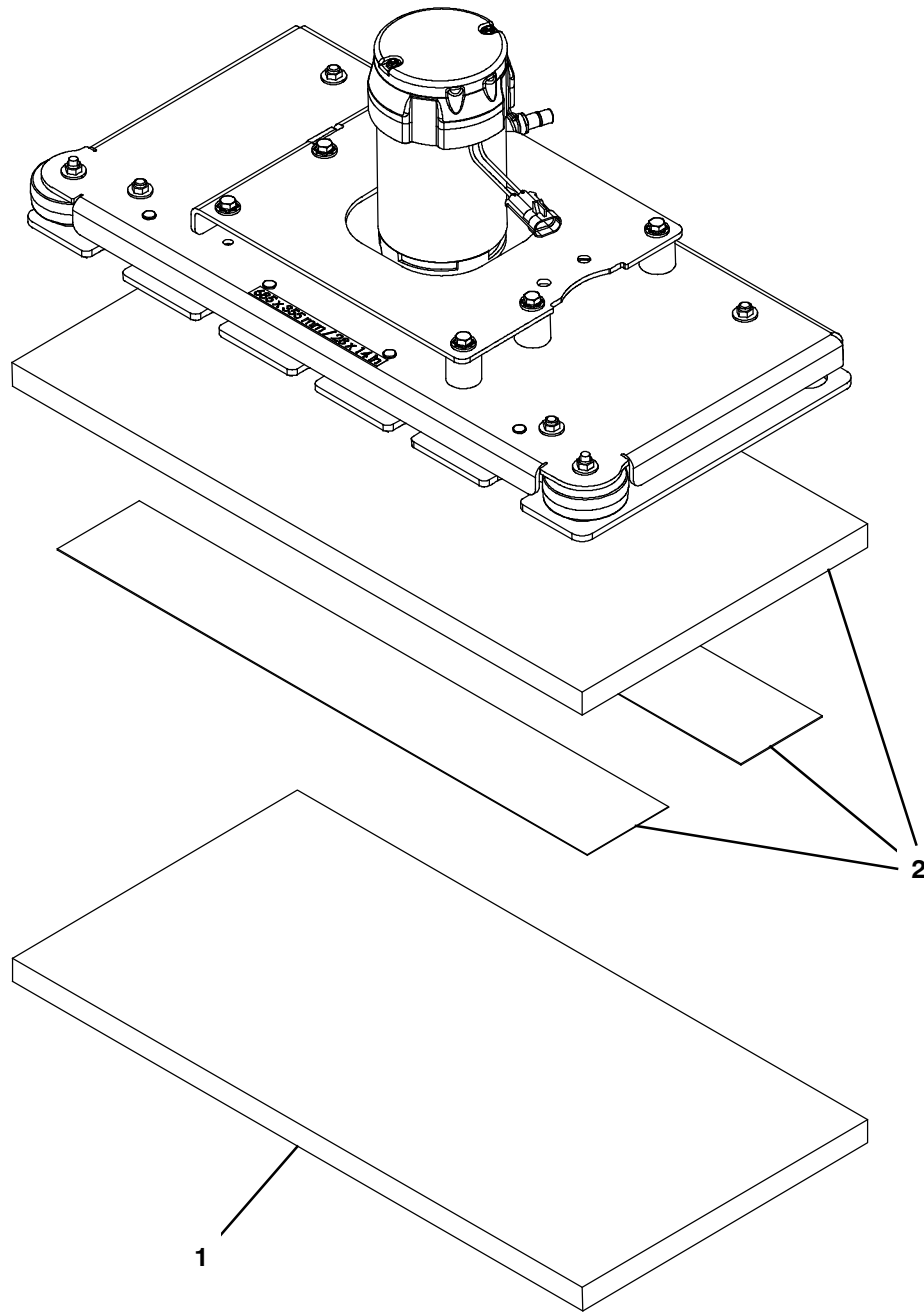
355427



Ref.	Part No.	Serial Number	Description	Qty.
1	222304	(10000000-20000000)	Brush, Scb, 28l, 18sr, Pyp, Spl	2
1	374041	(10000000-20000000)	Brush, Scb, 28l, 18sr, Hd Pyp, Spl	2
1	222305	(10000000-20000000)	Brush, Scb, 28l, 18sr, Nyl, Spl	2
1	222306	(10000000-20000000)	Brush, Scb, 28l, 18sr, Abr, Spl	2
1	222307	(10000000-20000000)	Brush, Scb, 32l, 18sr, Pyp, Spl [Grout]	2
1	374042	(10000000-20000000)	Brush, Scb, 32l, 18sr, Hd Pyp, Spl	2
1	222308	(10000000-20000000)	Brush, Scb, 32l, 18sr, Nyl, Spl	2
1	222309	(10000000-20000000)	Brush, Scb, 32l, 18sr, Abr, Spl	2

REPLACEMENT PADS ORBITAL

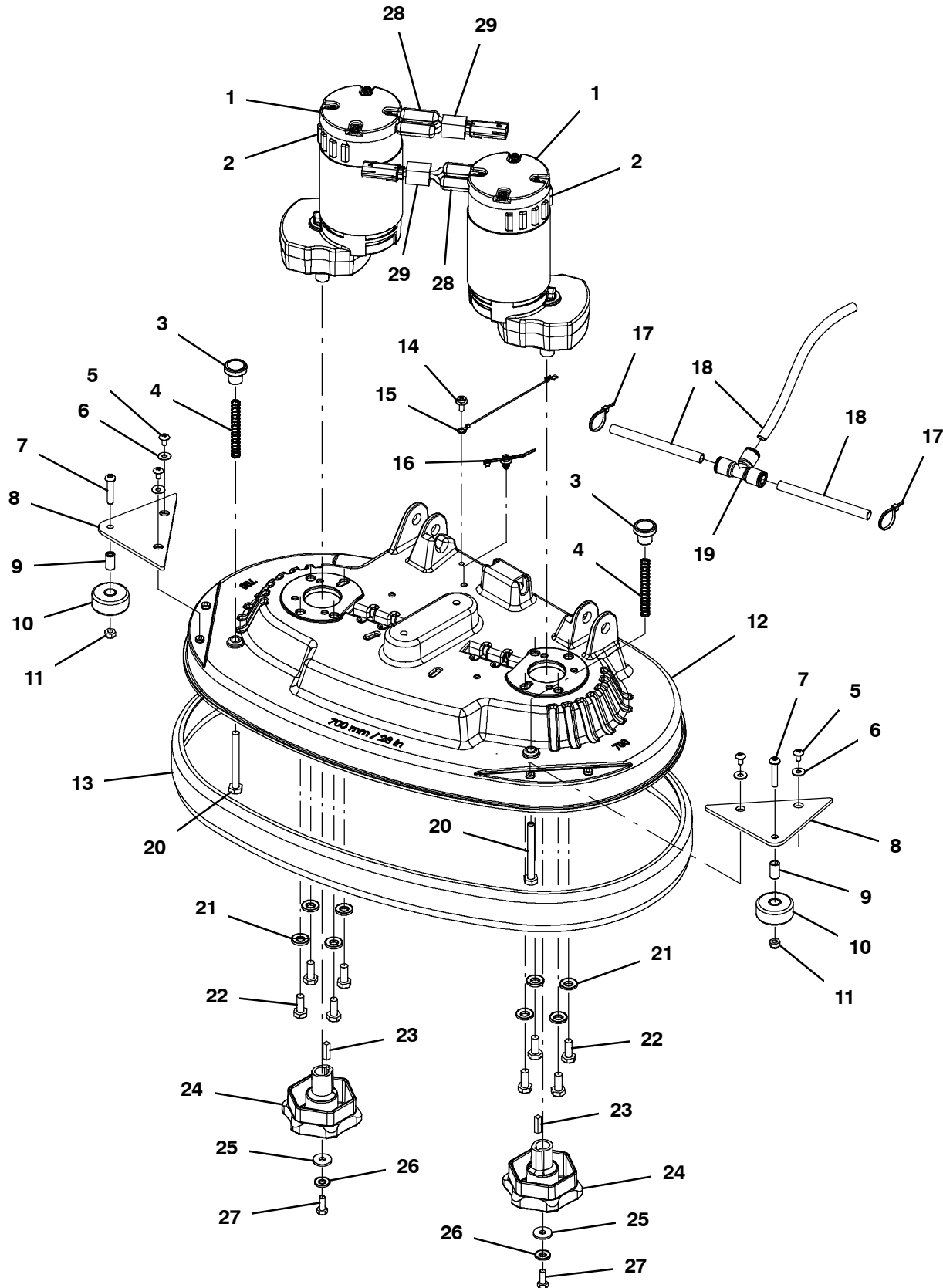
355478



Ref.	Part No.	Serial Number	Description	Qty.
1	1223247	(10000000- 20000000)	Pad, Scb, 28 X 14, Blu [1pick=1pc]	1
1	1218157	(10000000- 20000000)	Pad, Buff, 28 X 14, Red [1pick=1pc]	1
1	1223246	(10000000- 20000000)	Pad, Polish, 28 X 14, White [1pick=1pc]	1
1	1223248	(10000000- 20000000)	Pad, Surf Prep, 28 X 14, Mar [1pick=1pc]	1
1	1223250	(10000000- 20000000)	Pad, Scb, 28 X 14, Green [1pick=1ctn]	1
1	1075563	(10000000- 20000000)	Pad, Stripping, 28 X 14, Blk [1pick=1ctn]	1
1	1228002	(10000000- 20000000)	Pad, Melamine, 14" X 28" [Case Of 5]	1
2	1221839	(10000000- 20000000)	Pad, Backer, 28 X 14 (Includes Velcro Fasteners)	1

SCRUB HEAD GROUP, DISK 700MM / 28IN

355622



SCRUB HEAD GROUP, DISK 700MM / 28IN

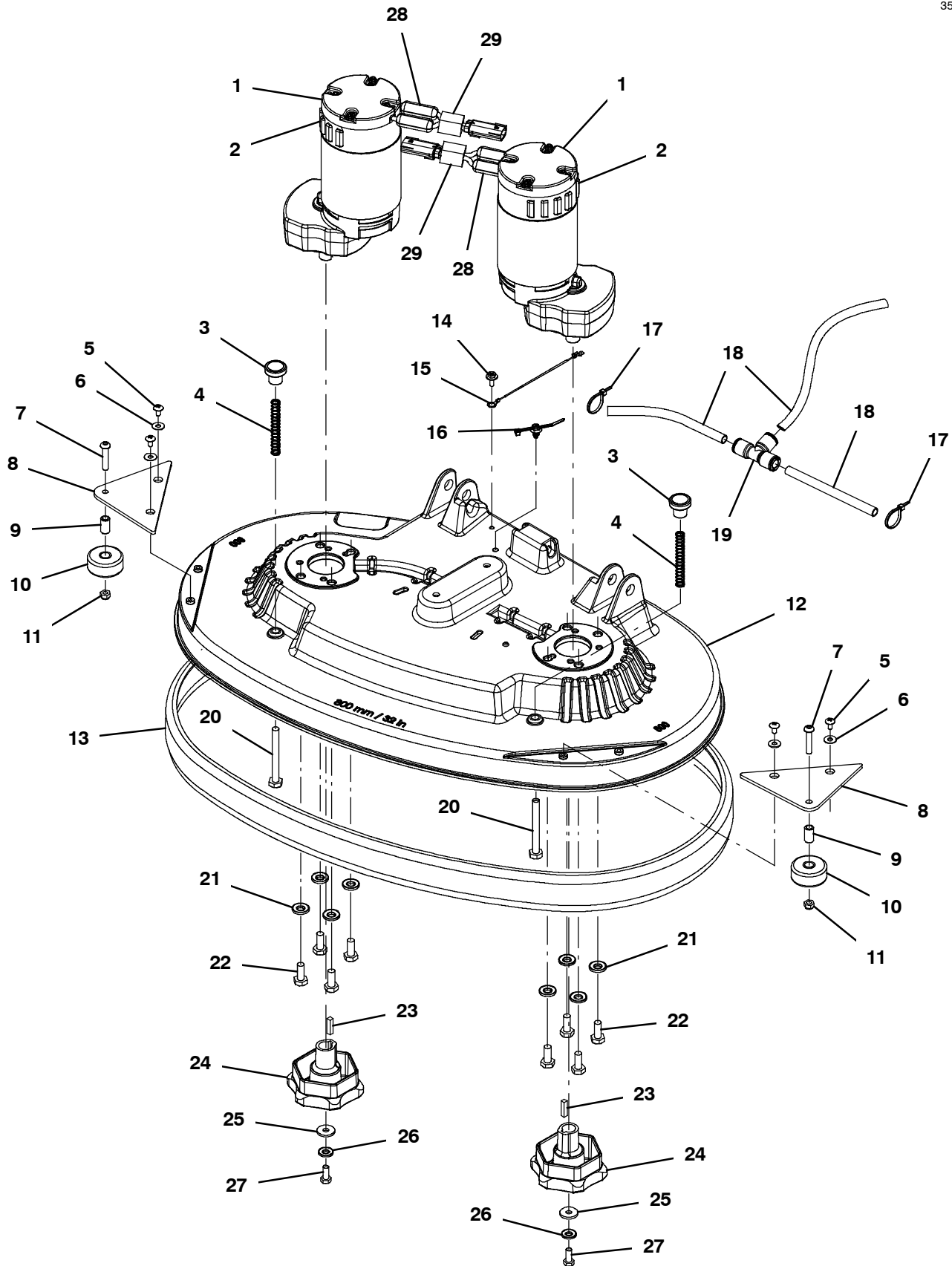
Ref.	Part No.	Serial Number	Description	Qty.
▽	1	1063103	(10000000- 20000000) Motor, Ele, 36vdc 200rpm .75hp Gear (T600e Models) (Also Requires Ferrites)	2
▲	2	1066573	(10000000- 20000000) Vr, Brush Kit, Motor 1 Pick = 4 Pcs	1
▽	1	1063463	(10000000- 20000000) Motor, Ele, 36vdc 300rpm 1.0hp Gear (T600 Models) (Also Requires Ferrites)	2
▲	2	1066573	(10000000- 20000000) Vr, Brush Kit, Motor 1 Pick = 4 Pcs	1
	3	1222988	(10000000- 20000000) Knob, Rnd, 31.0d 27.0l M10, Plstc	2
	4	626081	(10000000- 20000000) Spring, Cmpr, 0.48od .04wir 03.5l	2
	5	1227865	(10000000- 20000000) Screw, Trs, M6 X 1.0 X 12, Phl, Ss, NI	4
	6	01684	(10000000- 20000000) Washer, Flat, 0.27b 0.69d .05, Ss	4
	7	397826	(10000000- 20000000) Screw, Btn, M8 X 1.25 X 40, Ss	2
	8	1227709	(10000000- 20000000) Bracket, Roller, Wall	2
	9	222496	(10000000- 20000000) Sleeve, P/M, 0.32b 0.50d 0.9l [430ss]	2
	10	222403	(10000000- 20000000) Wheel, 02.0d 0.88w 0.50b	2
	11	08713	(10000000- 20000000) Nut, Hex, Lock, M8 X 1.25, NI, Ss	2
	12	9016846	(10000000- 20000000) Housing, Disc, 70cm, Afmkt [T600, Na,Ce] (With Label)	1
	13	1232325	(10000000- 20000000) Bumper, Head, 70cm, Skirt, Im	1
	14	1034731	(10000000- 20000000) Screw, Hex, M6 X 1.00 X 16, Sems, Ss	1
	15	1074344	(10000000- 20000000) Harness, Ele [Ring With .250m Tail]	1
	16	1210807	(10000000- 20000000) Wire, Tie [W/.25" Fir Tree Clip]	1
	17	130773	(10000000- 20000000) Tie, Cable, Nyl, 11.0l, .14w, 3.0 Max. D	2
	18	9014145	(10000000- 20000000) Hose, Afmkt, Pe, .375id .50od, 05ft	1
	19	1212858	(10000000- 20000000) Fitting, Plstc, Tee, Qf08/Qf08/Qf08	1
	20	09746	(10000000- 20000000) Screw, Hex, M10 X 1.50 X 90, Ss	2
	21	41187	(10000000- 20000000) Washer, Flat, Belleville, .38	8
	22	09028	(10000000- 20000000) Screw, Hex, M10 X 1.50 X 25, Ss	8
	23	00928	(10000000- 20000000) Key, Sq, 0.25 X 0.25, 1.00l	2
	24	1226989	(10000000- 20000000) Hub, Drive, Brush, Disk	2
	25	1017218	(10000000- 20000000) Washer, Flat, 0.32b 1.00d .12, Ss	2
	26	41186	(10000000- 20000000) Washer, Flat, Belleville, .31	2
	27	12273	(10000000- 20000000) Screw, Hex, M8 X 1.25 X 20, NI, Ss	2
	28	1227867	(10000000- 20000000) Inductor, Ferrite [Split Case,407@100hz]	4
	29	1065665	(10000000- 20000000) Inductor, 32.3mml [Ferrite 10- 250mhz]	2

▽ ASSEMBLY

▲ INCLUDED IN ASSEMBLY

SCRUB HEAD GROUP, DISK 800MM / 32IN

355623



SCRUB HEAD GROUP, DISK 800MM / 32IN

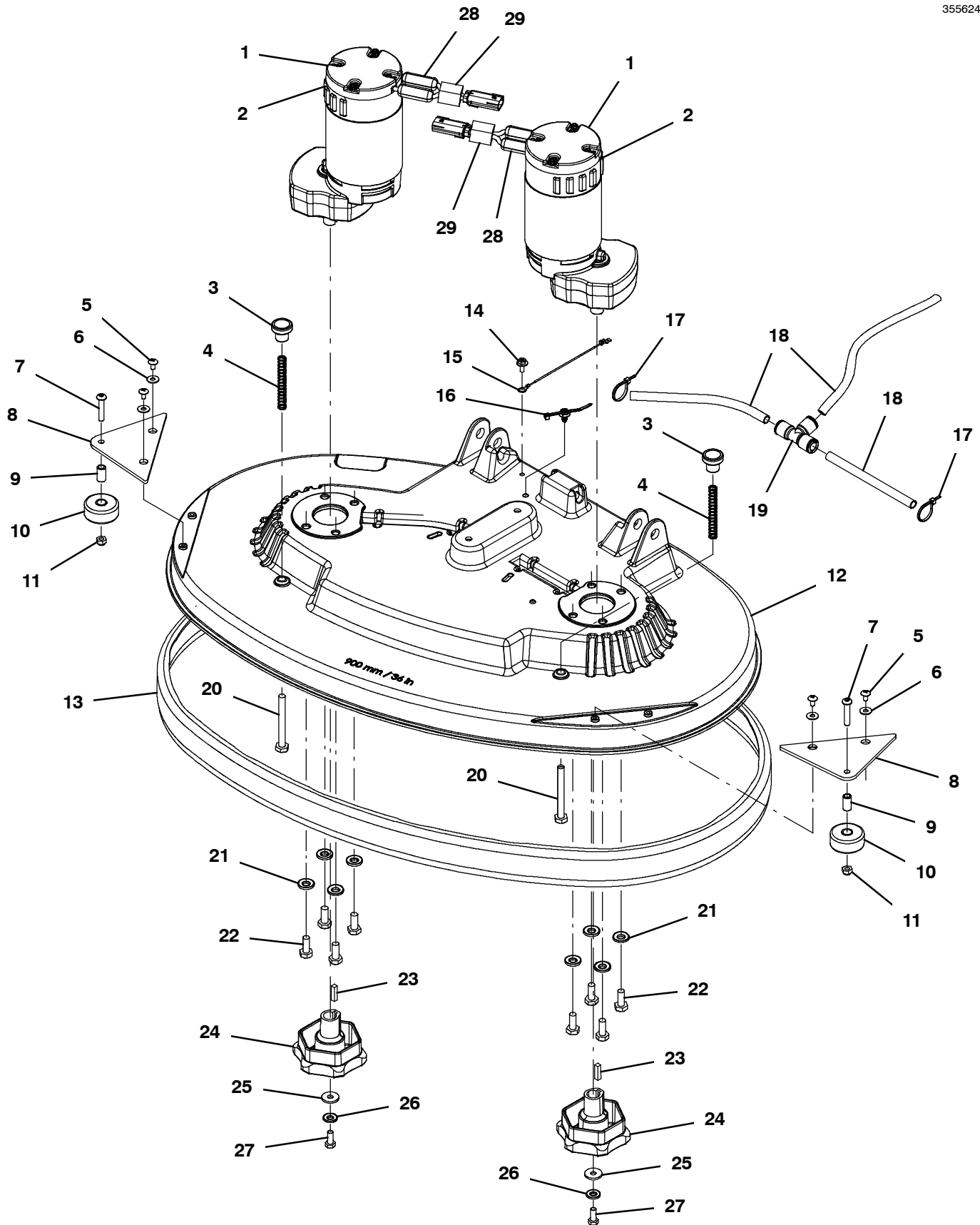
Ref.	Part No.	Serial Number	Description	Qty.
▽	1	1063103	(10000000- 20000000) Motor, Ele, 36vdc 200rpm .75hp Gear (T600e / T600e Heavy Duty Down Pressure Models) (Also Requires Ferrites)	2
▲	2	1066573	(10000000- 20000000) Vr, Brush Kit, Motor 1 Pick = 4 Pcs	1
▽	1	1063463	(10000000- 20000000) Motor, Ele, 36vdc 300rpm 1.0hp Gear (T600 / T600 Heavy Duty Down Pressure Models) (Also Requires Ferrites)	2
▲	2	1066573	(10000000- 20000000) Vr, Brush Kit, Motor 1 Pick = 4 Pcs	1
	3	1222988	(10000000- 20000000) Knob, Rnd, 31.0d 27.0l M10, Plstc	2
	4	626081	(10000000- 20000000) Spring, Cmpr, 0.48od .04wir 03.5l	2
	5	1227865	(10000000- 20000000) Screw, Trs, M6 X 1.0 X 12, Phl, Ss, NI	4
	6	01684	(10000000- 20000000) Washer, Flat, 0.27b 0.69d .05, Ss	4
	7	397826	(10000000- 20000000) Screw, Btn, M8 X 1.25 X 40, Ss	2
	8	1227709	(10000000- 20000000) Bracket, Roller, Wall	2
	9	222496	(10000000- 20000000) Sleeve, P/M, 0.32b 0.50d 0.9l [430ss]	2
	10	222403	(10000000- 20000000) Wheel, 02.0d 0.88w 0.50b	2
	11	08713	(10000000- 20000000) Nut, Hex, Lock, M8 X 1.25, NI, Ss	2
	12	9016847	(10000000- 20000000) Housing, Disc, 80cm, Afrmkt [T600, Na,Ce] (With Label)	1
	13	1232326	(10000000- 20000000) Bumper, Head, 80cm, Skirt, Im	1
	14	1034731	(10000000- 20000000) Screw, Hex, M6 X 1.00 X 16, Sems, Ss	1
	15	1074344	(10000000- 20000000) Harness, Ele [Ring With .250m Tail]	1
	16	1210807	(10000000- 20000000) Wire, Tie [W/.25" Fir Tree Clip]	1
	17	130773	(10000000- 20000000) Tie, Cable, Nyl, 11.0l, .14w, 3.0 Max. D	2
	18	9014145	(10000000- 20000000) Hose, Afrmkt, Pe, .375id .50od, 05ft	1
	19	1212858	(10000000- 20000000) Fitting, Plstc, Tee, Qf08/Qf08/Qf08	1
	20	09746	(10000000- 20000000) Screw, Hex, M10 X 1.50 X 90, Ss	2
	21	41187	(10000000- 20000000) Washer, Flat, Belleville, .38	8
	22	09028	(10000000- 20000000) Screw, Hex, M10 X 1.50 X 25, Ss	8
	23	00928	(10000000- 20000000) Key, Sq, 0.25 X 0.25, 1.00l	2
	24	1226989	(10000000- 20000000) Hub, Drive, Brush, Disk	2
	25	1017218	(10000000- 20000000) Washer, Flat, 0.32b 1.00d .12, Ss	2
	26	41186	(10000000- 20000000) Washer, Flat, Belleville, .31	2
	27	12273	(10000000- 20000000) Screw, Hex, M8 X 1.25 X 20, NI, Ss	2
	28	1227867	(10000000- 20000000) Inductor, Ferrite [Split Case,407@100hz]	4
	29	1065665	(10000000- 20000000) Inductor, 32.3mml [Ferrite 10- 250mhz]	2

▽ ASSEMBLY

▲ INCLUDED IN ASSEMBLY

SCRUB HEAD GROUP, DISK 900MM / 36IN

355624



SCRUB HEAD GROUP, DISK 900MM / 36IN

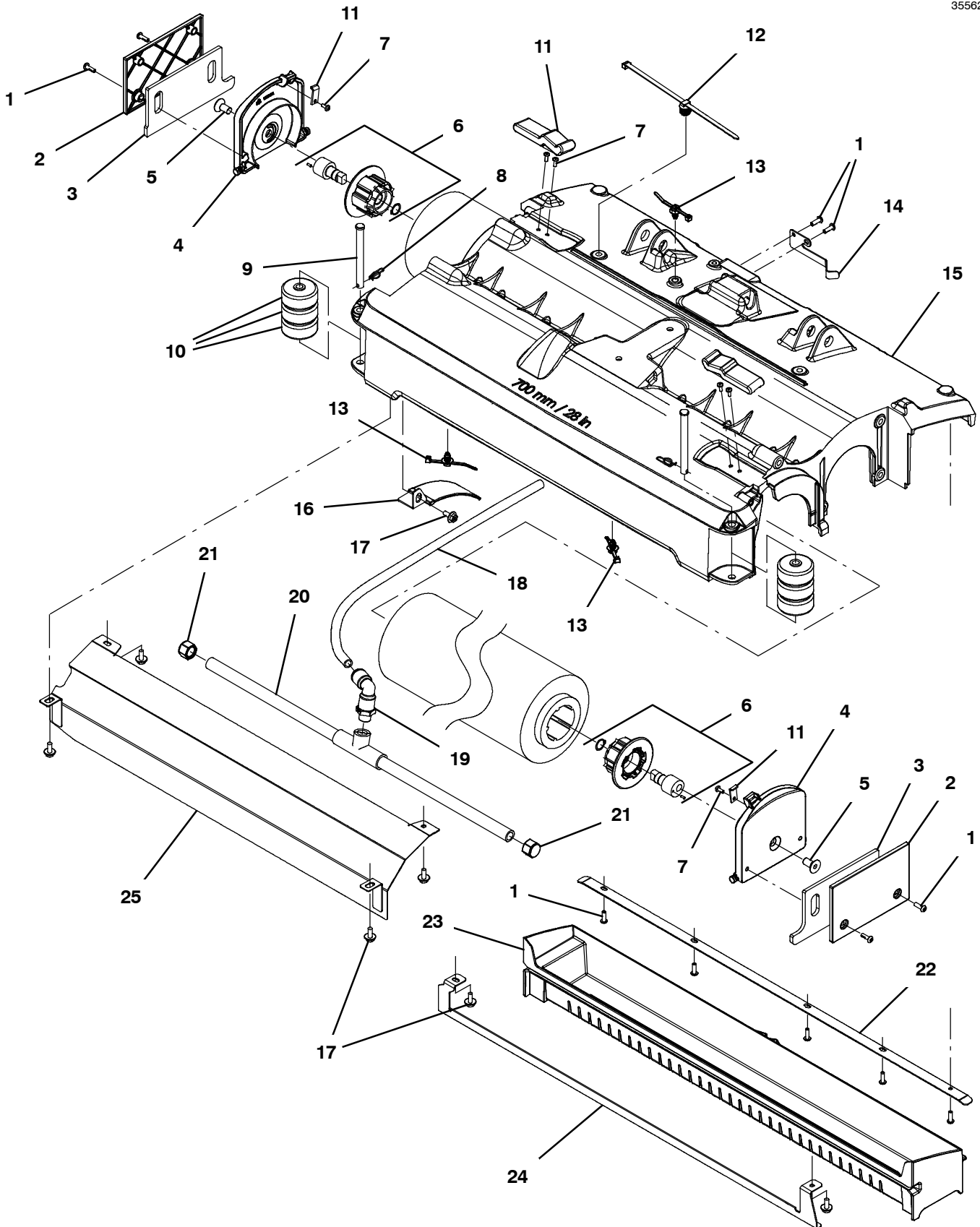
Ref.	Part No.	Serial Number	Description	Qty.
▽	1	1063103	(10000000- 20000000) Motor, Ele, 36vdc 200rpm .75hp Gear (T600e Models) (Also Requires Ferrites)	2
▲	2	1066573	(10000000- 20000000) Vr, Brush Kit, Motor 1 Pick = 4 Pcs	1
▽	1	1063463	(10000000- 20000000) Motor, Ele, 36vdc 300rpm 1.0hp Gear (T600 Models) (Also Requires Ferrites)	2
▲	2	1066573	(10000000- 20000000) Vr, Brush Kit, Motor 1 Pick = 4 Pcs	1
	3	1222988	(10000000- 20000000) Knob, Rnd, 31.0d 27.0l M10, Plstc	2
	4	626081	(10000000- 20000000) Spring, Cmpr, 0.48od .04wir 03.5l	2
	5	1227865	(10000000- 20000000) Screw, Trs, M6 X 1.0 X 12, Phl, Ss, NI	4
	6	01684	(10000000- 20000000) Washer, Flat, 0.27b 0.69d .05, Ss	4
	7	397826	(10000000- 20000000) Screw, Btn, M8 X 1.25 X 40, Ss	2
	8	1227709	(10000000- 20000000) Bracket, Roller, Wall	2
	9	222496	(10000000- 20000000) Sleeve, P/M, 0.32b 0.50d 0.9l [430ss]	2
	10	222403	(10000000- 20000000) Wheel, 02.0d 0.88w 0.50b	2
	11	08713	(10000000- 20000000) Nut, Hex, Lock, M8 X 1.25, NI, Ss	2
	12	9016848	(10000000- 20000000) Housing, Disc, 90cm, Afmkt [T600, Na,Ce] (With Label)	1
	13	1226723	(10000000- 20000000) Bumper, Head, 90cm, Skirt, Im	1
	14	1034731	(10000000- 20000000) Screw, Hex, M6 X 1.00 X 16, Sems, Ss	1
	15	1074344	(10000000- 20000000) Harness, Ele [Ring With .250m Tail]	1
	16	1210807	(10000000- 20000000) Wire, Tie [W/.25" Fir Tree Clip]	1
	17	130773	(10000000- 20000000) Tie, Cable, Nyl, 11.0l, .14w, 3.0 Max. D	2
	18	9014145	(10000000- 20000000) Hose, Afmkt, Pe, .375id .50od, 05ft	1
	19	1212858	(10000000- 20000000) Fitting, Plstc, Tee, Qf08/Qf08/Qf08	1
	20	09746	(10000000- 20000000) Screw, Hex, M10 X 1.50 X 90, Ss	2
	21	41187	(10000000- 20000000) Washer, Flat, Belleville, .38	8
	22	09028	(10000000- 20000000) Screw, Hex, M10 X 1.50 X 25, Ss	8
	23	00928	(10000000- 20000000) Key, Sq, 0.25 X 0.25, 1.00l	2
	24	1226989	(10000000- 20000000) Hub, Drive, Brush, Disk	2
	25	1017218	(10000000- 20000000) Washer, Flat, 0.32b 1.00d .12, Ss	2
	26	41186	(10000000- 20000000) Washer, Flat, Belleville, .31	2
	27	12273	(10000000- 20000000) Screw, Hex, M8 X 1.25 X 20, NI, Ss	2
	28	1227867	(10000000- 20000000) Inductor, Ferrite [Split Case,407@100hz]	4
	29	1065665	(10000000- 20000000) Inductor, 32.3mml [Ferrite 10- 250mhz]	2

▽ ASSEMBLY

▲ INCLUDED IN ASSEMBLY

SCRUB HEAD GROUP, CYLINDRICAL 700MM / 28IN

355625



SCRUB HEAD GROUP, CYLINDRICAL 700MM / 28IN

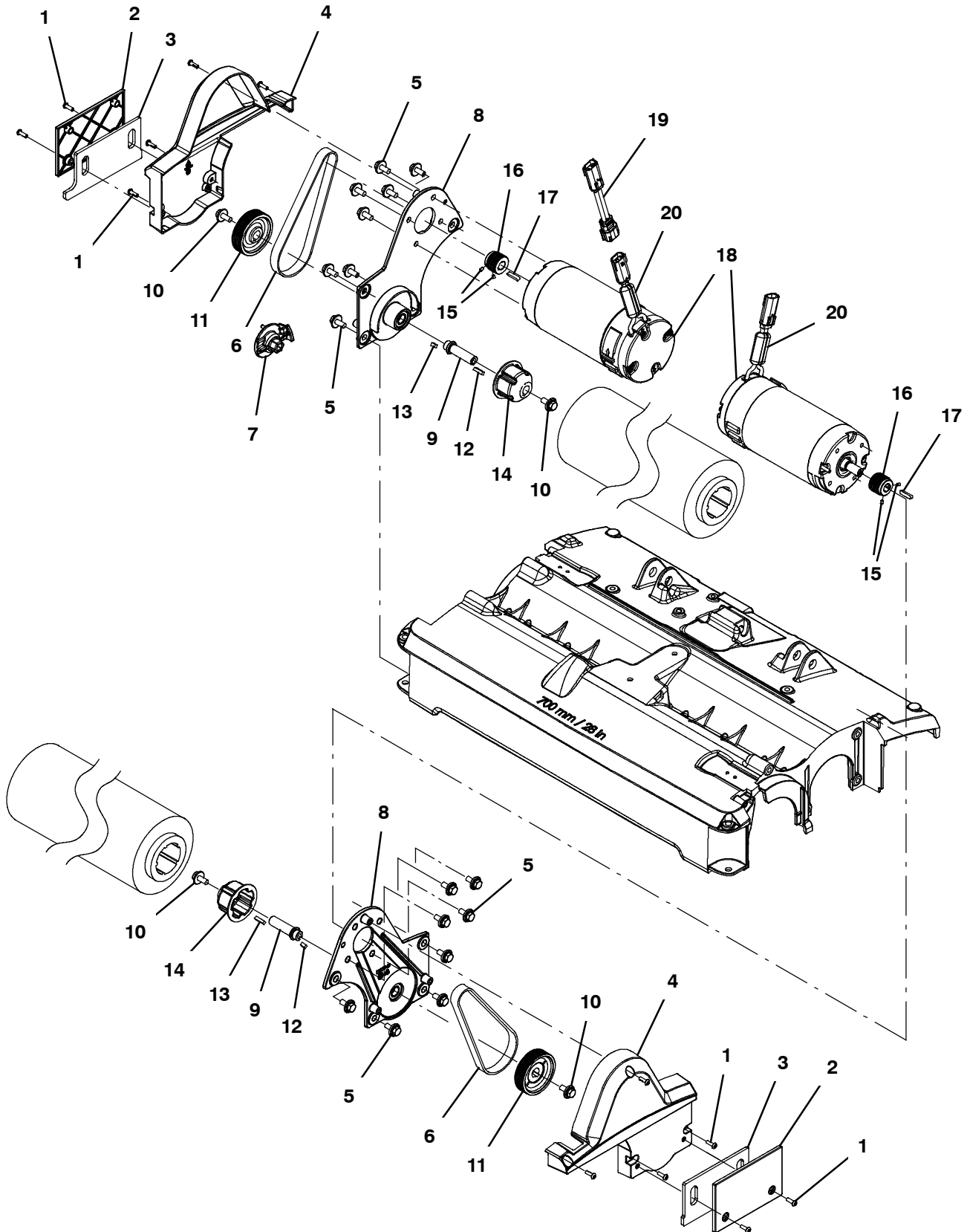
Ref.	Part No.	Serial Number	Description	Qty.	
1	1205799	(10000000-20000000)	Screw, Btn, M5 X 0.8 X 16, 8.8, NI, Torx	11	
2	1218032	(10000000-20000000)	Cover, Skirt, 2cyl [T500]	2	
3	1218573	(10000000-20000000)	Skirt, Side, Scrub, Cyl [T500]	2	
▽	4	9017656	(10000000-20000000)	Door Assy, Idler, Cylrc	2
▲	5	390996	(10000000-20000000)	Screw, Flt, Soc, M10 X 1.50 X 20, 10.9, NI	1
▲	6	222752	(10000000-20000000)	Plug Assy, Idler, Brush (Includes Idler Plug, Shaft, Retaining Ring & Roll Pin - Not Available Separately)	1
7	49697	(10000000-20000000)	Screw, Pan, Phl, M4 X 0.70 X 10, Ss	6	
8	1216647	(10000000-20000000)	Pin, Cotter, Hair, 0.38d .054 Wir	2	
9	49914	(10000000-20000000)	Pin, Clevis, 0.37d X 4.00l	2	
10	630477	(10000000-20000000)	Wheel, Pyu, 02.0d 0.38w, Gray	6	
11	1207285	(10000000-20000000)	Latch, Draw, Rbr, W/ Keeper, Yellow	2	
12	1221161	(10000000-20000000)	Tie, Cable, Nyl, Push Mount, 76mm Max D	1	
13	1210807	(10000000-20000000)	Wire, Tie [W/.25" Fir Tree Clip]	3	
14	1218242	(10000000-20000000)	Bracket, Spring, Tray, Debris [T500]	1	
15	9016854	(10000000-20000000)	Housing, Cyl, 70cm, Afmkt [T600, Na,Ce] (With Label)	1	
16	1029358	(10000000-20000000)	Deflector, Water, Cyl Head	1	
17	1034731	(10000000-20000000)	Screw, Hex, M6 X 1.00 X 16, Sems, Ss	7	
18	9014145	(10000000-20000000)	Hose, Afmkt, Pe, .375id .50od, 05ft	1	
19	1212987	(10000000-20000000)	Fitting, Plstc, E90, Qf08/Pm06, Swivel	1	
20	1046049	(10000000-20000000)	Tube Assy, Bar, Spray, 70cm [T5, 5680]	1	
21	1025580	(10000000-20000000)	Fitting, Pipe, Cap, P06, Nyl	2	
22	1218153	(10000000-20000000)	Bracket, Tray, Debris [T500]	1	
23	1218144	(10000000-20000000)	Tray, Debris, 700mm [lm] [Rhine]	1	
24	1218577	(10000000-20000000)	Bracket, Slide, Tray, Debris	1	
25	1219969	(10000000-20000000)	Panel Wldt, Wrap, Brush [T500]	1	

▽ ASSEMBLY

▲ INCLUDED IN ASSEMBLY

SCRUB HEAD GROUP, CYLINDRICAL 700MM / 28IN - CONT'D

355637



SCRUB HEAD GROUP, CYLINDRICAL 700MM / 28IN - CONT'D

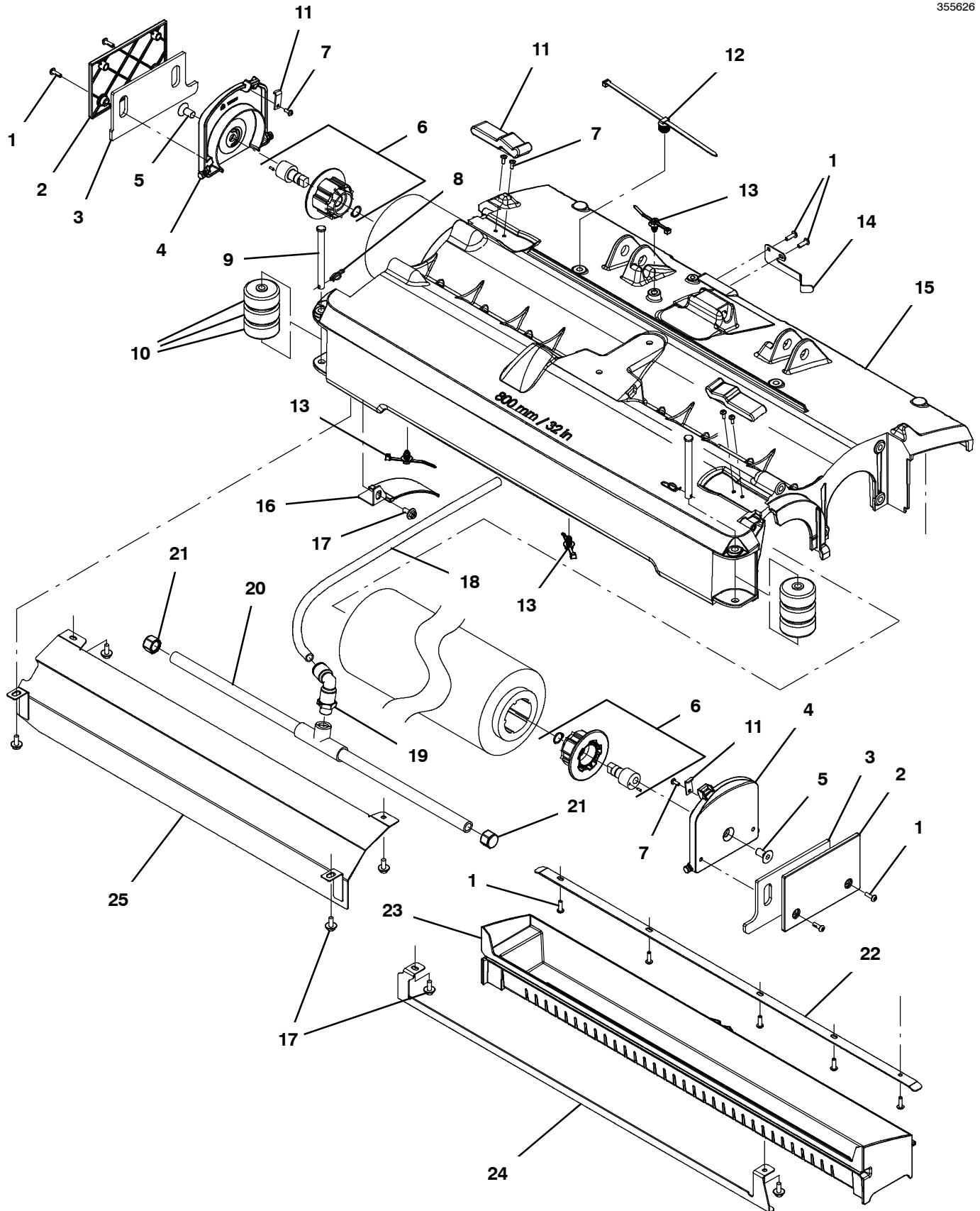
Ref.	Part No.	Serial Number	Description	Qty.	
1	1205799	(10000000- 20000000)	Screw, Btn, M5 X 0.8 X 16, 8.8, NI, Torx	12	
2	1218032	(10000000- 20000000)	Cover, Skirt, 2cyl [T500]	2	
3	1218573	(10000000- 20000000)	Skirt, Side, Scrub, Cyl [T500]	2	
4	1218012	(10000000- 20000000)	Cover, Belt, 2 Cyl [T500]	2	
5	1020341	(10000000- 20000000)	Screw, Hex, M8 X 1.25 X 20, Ss, Sems	16	
▽	6	9016885	(10000000- 20000000)	Belt Kit, Motor, Afmkt (Includes Qty 2 Belts & Install Tool)	1
▲		1231688	(10000000- 20000000)	Belt, 7 Rib, 19.5l	1
▲	7	1234733	(10000000- 20000000)	Tool, Installation, Belt	1
▽	8	9016863	(10000000- 20000000)	Bracket, Assy, Motor, Afmkt [T600] (Also Includes Bearing And Spacer - Not Available Separately)	2
▲	9	1233393	(10000000- 20000000)	Shaft, Drive	1
	10	1020341	(10000000- 20000000)	Screw, Hex, M8 X 1.25 X 20, Ss, Sems	2
	11	1231277	(10000000- 20000000)	Sheave, 07grv, 2.89pd 0.63b	1
	12	1233950	(10000000- 20000000)	Key, Sq, 5mm X 5mm X 9mm	1
	13	00911	(10000000- 20000000)	Key, Sq, 0.19 X 0.19, 0.75l	1
	14	1057629	(10000000- 20000000)	Plug, Idler, Brush [Sgl Brg]	1
	15	222818	(10000000- 20000000)	Screw, Set, Soc, 08- 32 X 0.25, NI	4
	16	1236053	(10000000- 20000000)	Sheave, 07Grv, 1.22Pd 0.55B [Pj]	2
	17	1014328	(10000000- 20000000)	Key, Sq, 05mm X 05mm, 25mml	2
▽	18	1230332	(10000000- 20000000)	Motor, Ele, 36vdc 1800rpm 0.9hp (Also Requires Ferrites)	2
▲		9011916	(10000000- 20000000)	Vr, Brush Kit, Motor	1
	19	1075585	(10000000- 20000000)	Harness, Ele [Motor Rev., Molex Mx150l]	1
	20	1227867	(10000000- 20000000)	Inductor, Ferrite [Split Case,407@100hz]	4

▽ ASSEMBLY

▲ INCLUDED IN ASSEMBLY

SCRUB HEAD GROUP, CYLINDRICAL 800MM / 32IN

355626



SCRUB HEAD GROUP, CYLINDRICAL 800MM / 32IN

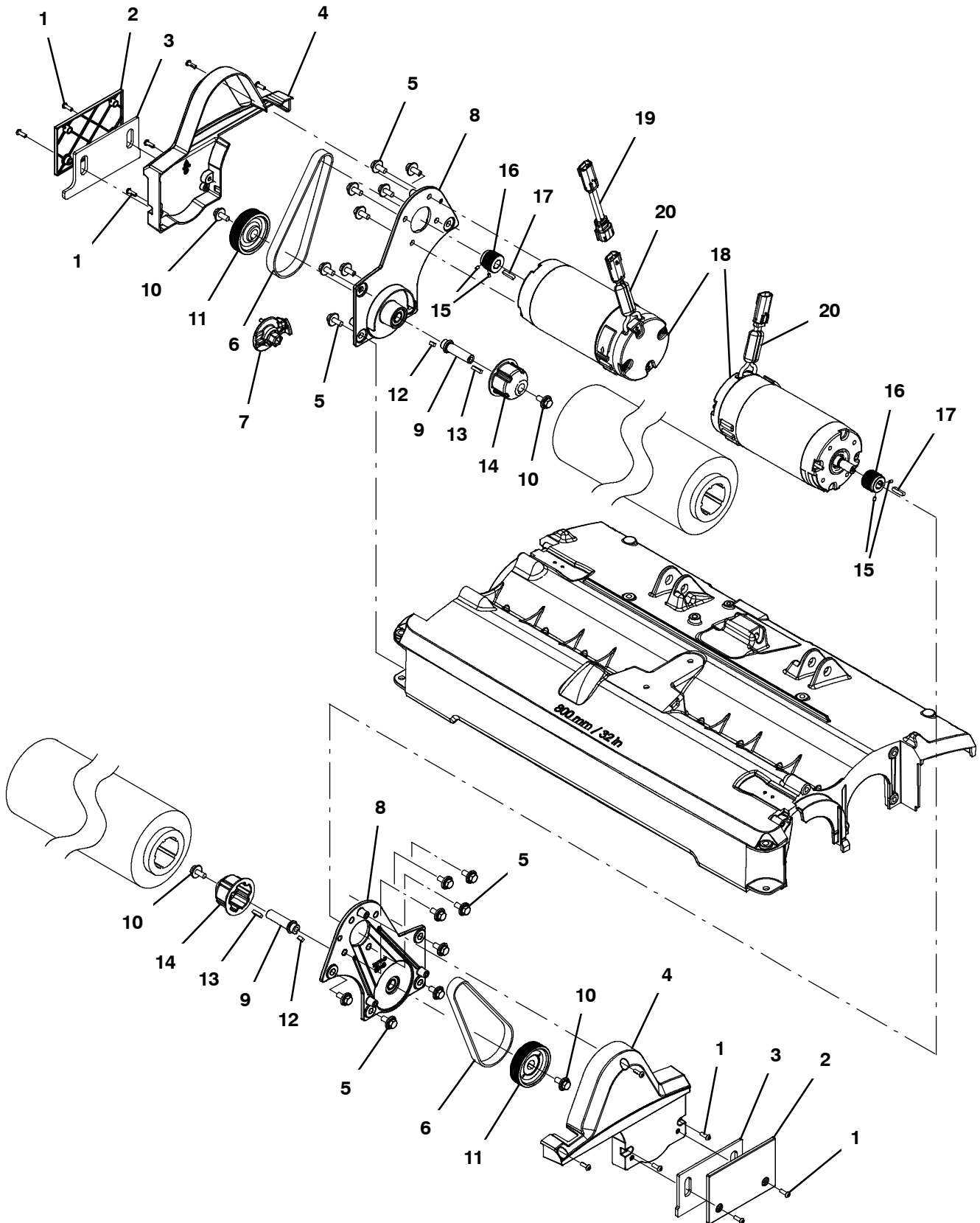
Ref.	Part No.	Serial Number	Description	Qty.	
1	1205799	(10000000-20000000)	Screw, Btn, M5 X 0.8 X 16, 8.8, NI, Torx	11	
2	1218032	(10000000-20000000)	Cover, Skirt, 2cyl [T500]	2	
3	1218573	(10000000-20000000)	Skirt, Side, Scrb, Cyl [T500]	2	
▽	4	9017656	(10000000-20000000)	Door Assy, Idler, Cylrcl	2
▲	5	390996	(10000000-20000000)	Screw, Flt, Soc, M10 X 1.50 X 20, 10.9, NI	1
▲	6	222752	(10000000-20000000)	Plug Assy, Idler, Brush (Includes Idler Plug, Shaft, Retaining Ring & Roll Pin - Not Available Separately)	1
7	49697	(10000000-20000000)	Screw, Pan, Phl, M4 X 0.70 X 10, Ss	6	
8	1216647	(10000000-20000000)	Pin, Cotter, Hair, 0.38d .054 Wir	2	
9	49914	(10000000-20000000)	Pin, Clevis, 0.37d X 4.00l	2	
10	630477	(10000000-20000000)	Wheel, Pyu, 02.0d 0.38w, Gray	6	
11	1207285	(10000000-20000000)	Latch, Draw, Rbr, W/ Keeper, Yellow	2	
12	1221161	(10000000-20000000)	Tie, Cable, Nyl, Push Mount, 76mm Max D	1	
13	1210807	(10000000-20000000)	Wire, Tie [W/.25" Fir Tree Clip]	3	
14	1218242	(10000000-20000000)	Bracket, Spring, Tray, Debris [T500]	1	
15	9016855	(10000000-20000000)	Housing, Cyl, 80cm, Afmkt [T600, Na,Ce] (With Label)	1	
16	1029358	(10000000-20000000)	Deflector, Water, Cyl Head	1	
17	1034731	(10000000-20000000)	Screw, Hex, M6 X 1.00 X 16, Sems, Ss	7	
18	9014145	(10000000-20000000)	Hose, Afmkt, Pe, .375id .50od, 05ft	1	
19	1212987	(10000000-20000000)	Fitting, Plstc, E90, Qf08/Pm06, Swivel	1	
20	1046049	(10000000-20000000)	Tube Assy, Bar, Spray, 70cm [T5, 5680]	1	
21	1025580	(10000000-20000000)	Fitting, Pipe, Cap, P06, Nyl	2	
22	1230278	(10000000-20000000)	Bracket, Tray, Debris	1	
23	1226867	(10000000-20000000)	Tray, Debris, 800mm	1	
24	1226875	(10000000-20000000)	Bracket, Slide, Tray, Debris, 800mm	1	
25	1226910	(10000000-20000000)	Panel Wldt, Wrap, Brush, 800mm	1	

▽ ASSEMBLY

▲ INCLUDED IN ASSEMBLY

SCRUB HEAD GROUP, CYLINDRICAL 800MM / 32IN - CONT'D

355638



SCRUB HEAD GROUP, CYLINDRICAL 800MM / 32IN - CONT'D

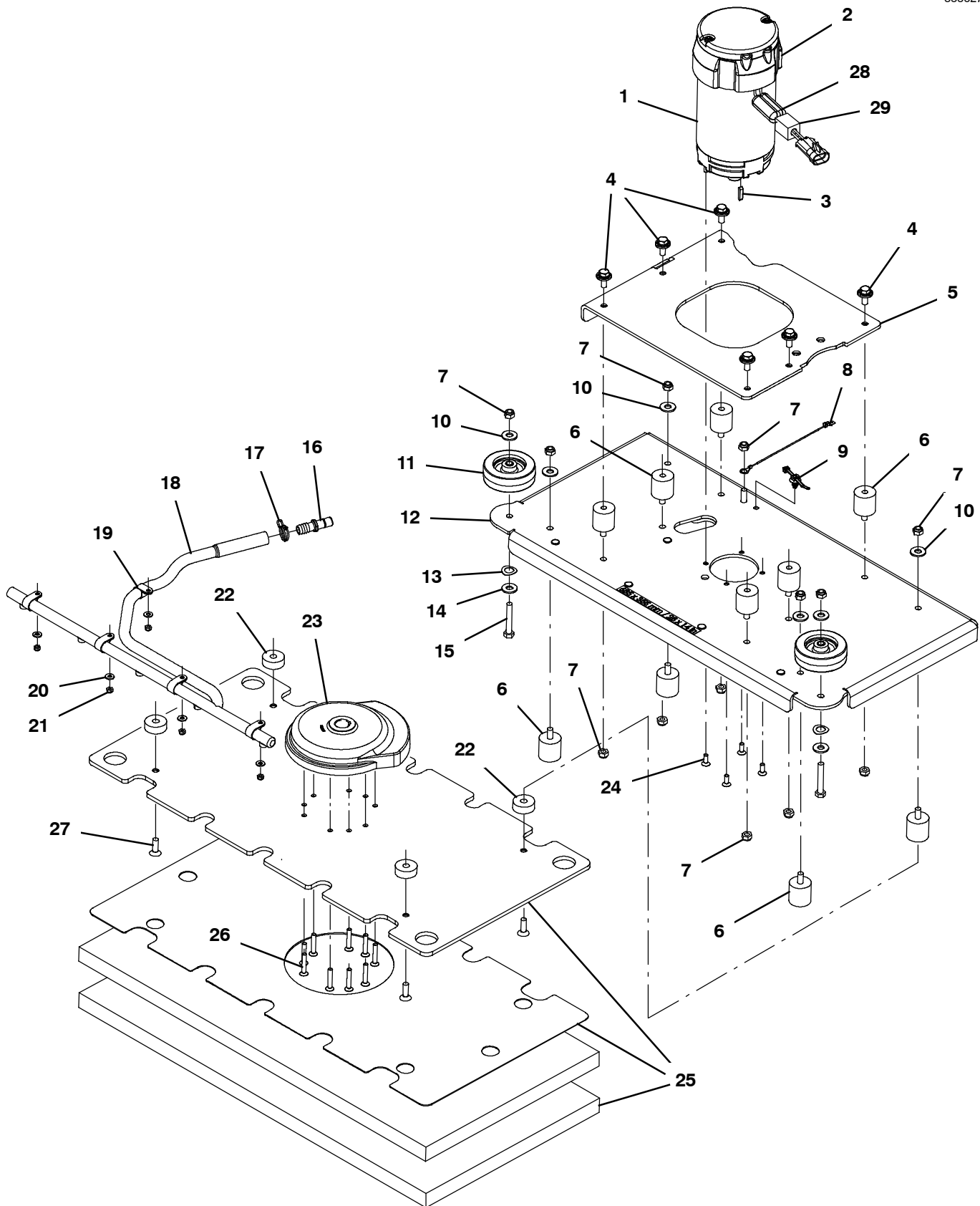
Ref.	Part No.	Serial Number	Description	Qty.	
1	1205799	(10000000- 20000000)	Screw, Btn, M5 X 0.8 X 16, 8.8, NI, Torx	12	
2	1218032	(10000000- 20000000)	Cover, Skirt, 2cyl [T500]	2	
3	1218573	(10000000- 20000000)	Skirt, Side, Scrub, Cyl [T500]	2	
4	1218012	(10000000- 20000000)	Cover, Belt, 2 Cyl [T500]	2	
5	1020341	(10000000- 20000000)	Screw, Hex, M8 X 1.25 X 20, Ss, Sems	16	
▽	6	9016885	(10000000- 20000000)	Belt Kit, Motor, Afmkt (Includes Qty 2 Belts & Install Tool)	1
▲		1231688	(10000000- 20000000)	Belt, 7 Rib, 19.5l	1
▲	7	1234733	(10000000- 20000000)	Tool, Installation, Belt	1
▽	8	9016863	(10000000- 20000000)	Bracket, Assy, Motor, Afmkt [T600] (Also Includes Bearing And Spacer - Not Available Separately)	2
▲	9	1233393	(10000000- 20000000)	Shaft, Drive	1
	10	1020341	(10000000- 20000000)	Screw, Hex, M8 X 1.25 X 20, Ss, Sems	2
	11	1231277	(10000000- 20000000)	Sheave, 07grv, 2.89pd 0.63b	1
	12	1233950	(10000000- 20000000)	Key, Sq, 5mm X 5mm X 9mm	1
	13	00911	(10000000- 20000000)	Key, Sq, 0.19 X 0.19, 0.75l	1
	14	1057629	(10000000- 20000000)	Plug, Idler, Brush [Sgl Brg]	1
	15	222818	(10000000- 20000000)	Screw, Set, Soc, 08- 32 X 0.25, NI	4
	16	1236053	(10000000- 20000000)	Sheave, 07Grv, 1.22Pd 0.55B [Pj]	2
	17	1014328	(10000000- 20000000)	Key, Sq, 05mm X 05mm, 25mml	2
▽	18	1230332	(10000000- 20000000)	Motor, Ele, 36vdc 1800rpm 0.9hp (Also Requires Ferrites)	2
▲		9011916	(10000000- 20000000)	Vr, Brush Kit, Motor	1
	19	1075585	(10000000- 20000000)	Harness, Ele [Motor Rev., Molex Mx150l]	1
	20	1227867	(10000000- 20000000)	Inductor, Ferrite [Split Case,407@100hz]	4

▽ ASSEMBLY

▲ INCLUDED IN ASSEMBLY

SCRUB HEAD GROUP, ORBITAL 700MM / 28IN

355627



SCRUB HEAD GROUP, ORBITAL 700MM / 28IN

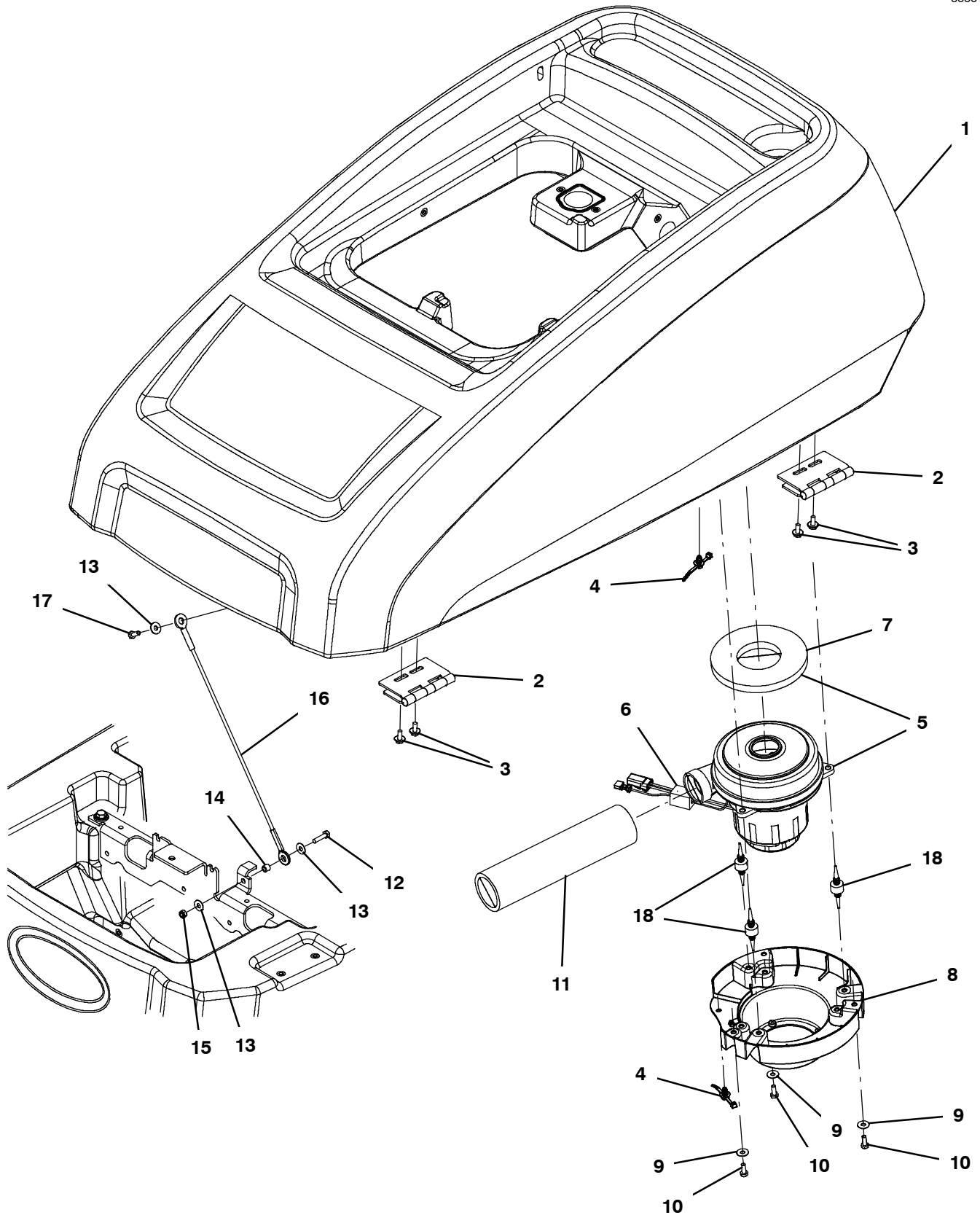
Ref.	Part No.	Serial Number	Description	Qty.
▽	1	1230329	(10000000- 20000000) Motor, Ele, 36vdc, 2200rpm, 0.75hp 18.5a (Also Requires Ferrites)	1
▲	2	1059370	(10000000- 20000000) Brush, Motor, Replmt [Bag Of 4)	1
	3	1231238	(10000000- 20000000) Key, Sq, 5mm X 5mm X 22mm	1
	4	1020341	(10000000- 20000000) Screw, Hex, M8 X 1.25 X 20, Ss, Sems	6
	5	1220910	(10000000- 20000000) Bracket Wldt, Mtg, Head	1
	6	1212543	(10000000- 20000000) Isolator, Neoprene, 1.25" X 1.25", M8	10
	7	08713	(10000000- 20000000) Nut, Hex, Lock, M8 X 1.25, NI, Ss	12
	8	1074344	(10000000- 20000000) Harness, Ele [Ring With .250m Tail]	1
	9	1210807	(10000000- 20000000) Wire, Tie [W/.25" Fir Tree Clip]	1
	10	01685	(10000000- 20000000) Washer, Flat, 0.38b 0.88d .08, Ss	6
	11	1014918	(10000000- 20000000) Wheel, 03.0d 0.88w 0.31b, W/ Bshg, Rbr	2
	12	1221766	(10000000- 20000000) Housing Wldt, Brush	1
	13	1210221	(10000000- 20000000) Washer, Wave, .515b, .875d, .013, Ss	2
	14	01685	(10000000- 20000000) Washer, Flat, 0.38b 0.88d .08, Ss	2
	15	49694	(10000000- 20000000) Screw, Hex, M8 X 1.25 X 50, Ss	2
	16	1212807	(10000000- 20000000) Fitting, Plstc, Str, Qm08/Bm08	1
	17	607776	(10000000- 20000000) Clamp, Hose, Wir, .73 - .77, Silver	1
	18	1234853	(10000000- 20000000) Manifold, Bar, Spray [28in]	1
	19	140916	(10000000- 20000000) Clamp, Cable, Nyl, 0.62d, Nat	5
	20	01683	(10000000- 20000000) Washer, Flat, 10, Ss	5
	21	09739	(10000000- 20000000) Nut, Hex, Lock, M5 X 0.80, NI, Ss	5
	22	1221850	(10000000- 20000000) Spacer, Head	4
	23	9015774	(10000000- 20000000) Eccentric Drive Kit, Orbital	1
	24	09163	(10000000- 20000000) Screw, Flt, Soc, M6 X 1.00 X 16, 18- 8,Ss	4
	25	9015416	(10000000- 20000000) Driver Kit, Pad, Ci [T500] (Includes Driver Plate, Driver Face, & Red Buffing Pad)	1
	26	1212710	(10000000- 20000000) Screw, Flt, Soc, M6 X 1.00 X 35, 10.9,NI	9
	27	74077	(10000000- 20000000) Screw, Flt, Soc, M8 X 1.25 X 25, Ss	4
	28	1227867	(10000000- 20000000) Inductor, Ferrite [Split Case,407@100hz]	2
	29	1065665	(10000000- 20000000) Inductor, 32.3mml [Ferrite 10- 250mhz]	1

▽ ASSEMBLY

▲ INCLUDED IN ASSEMBLY

RECOVERY TANK GROUP

355619



RECOVERY TANK GROUP

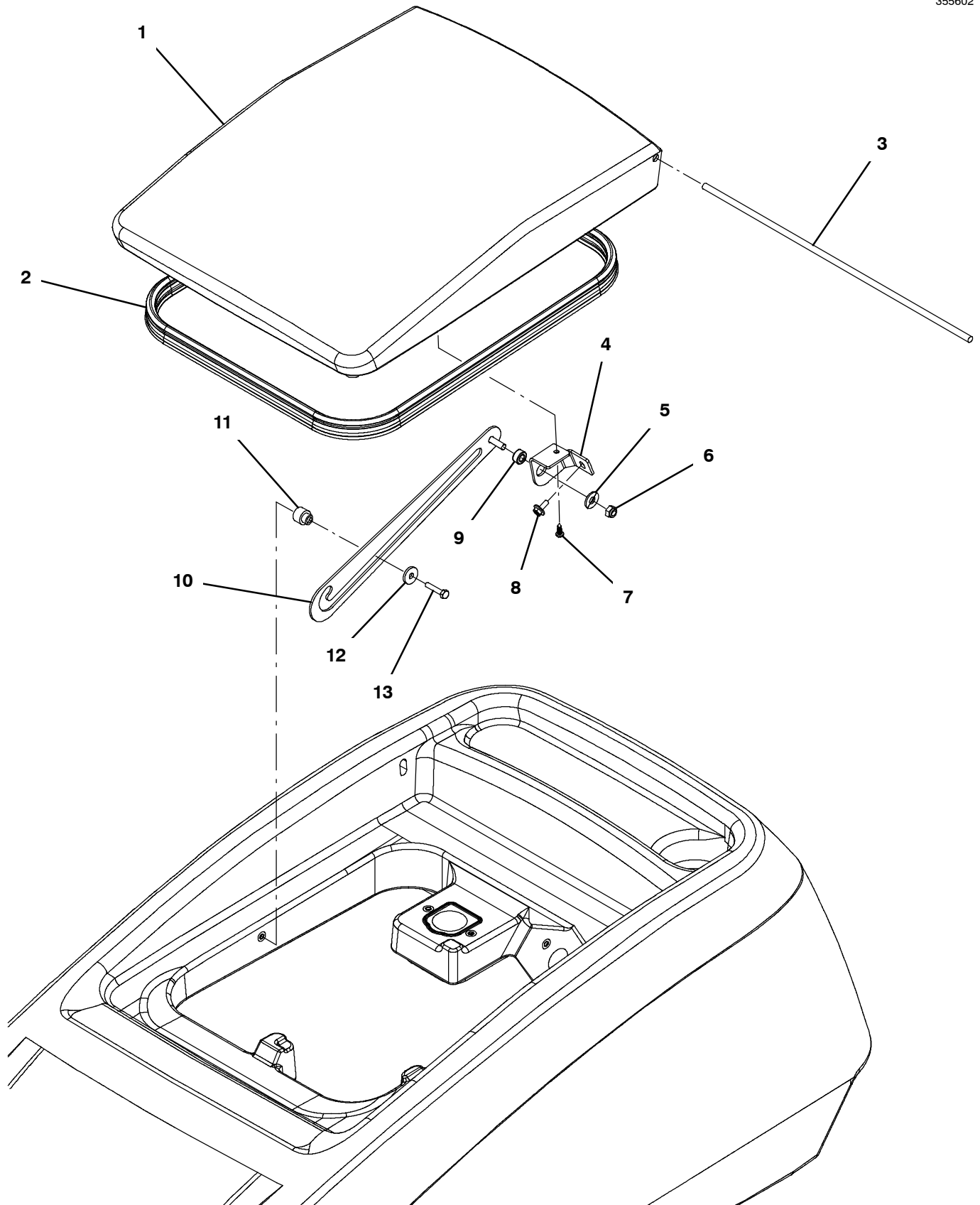
Ref.	Part No.	Serial Number	Description	Qty.	
1	9016812	(10000000- 20000000)	Tank, Recvy, W/Labels, Afmkt [T600, Na]	1	
1	9016814	(10000000- 20000000)	Tank, Recvy, W/Labels, Afmkt [T600e, Na]	1	
2	1217669	(10000000- 20000000)	Hinge Assy, 7.0 Pin, 11 Ga, 100l X 105w	2	
3	1034731	(10000000- 20000000)	Screw, Hex, M6 X 1.00 X 16, Sems, Ss	4	
4	1210807	(10000000- 20000000)	Wire, Tie [W/.25" Fir Tree Clip]	2	
▽	5	9017504	(10000000- 20000000)	Fan Kit, Vacuum, Ci [T600/T600e] (Ferrite Included)	1
▲		1206774	(10000000- 20000000)	Vr, Brush Kit, Motor, Fan	1
▲	6	1065665	(10000000- 20000000)	Inductor, 32.3mml [Ferrite 10- 250mhz]	1
▲	7	100038	(10000000- 20000000)	Gasket, .50, 02.63id 05.75od, Adh [Epdm]	1
	8	1233700	(10000000- 20000000)	Mount, Vacfan	1
	9	01684	(10000000- 20000000)	Washer, Flat, 0.27b 0.69d .05, Ss	3
	10	11329	(10000000- 20000000)	Screw, Hex, M6 X 1.00 X 16, NI, Ss	3
	11	1054231	(10000000- 20000000)	Muffler, Vacfan	1
	12	06944	(10000000- 20000000)	Screw, Hex, M6 X 1.00 X 25, 8.8	1
	13	01684	(10000000- 20000000)	Washer, Flat, 0.27b 0.69d .05, Ss	3
	14	140154	(10000000- 20000000)	Sleeve, P/M, 0.25b 0.38d 0.3l, PI	1
	15	08712	(10000000- 20000000)	Nut, Hex, Lock, M6 X 1.00, NI, Ss	1
	16	1230075	(10000000- 20000000)	Cable, Glv .13d 15.0l .38eye /.38eye	1
	17	11329	(10000000- 20000000)	Screw, Hex, M6 X 1.00 X 16, NI, Ss	1
	18	1062016	(10000000- 20000000)	Isolator, Vib, .75d	3

▽ ASSEMBLY

▲ INCLUDED IN ASSEMBLY

RECOVERY TANK COVER GROUP

355602



RECOVERY TANK COVER GROUP

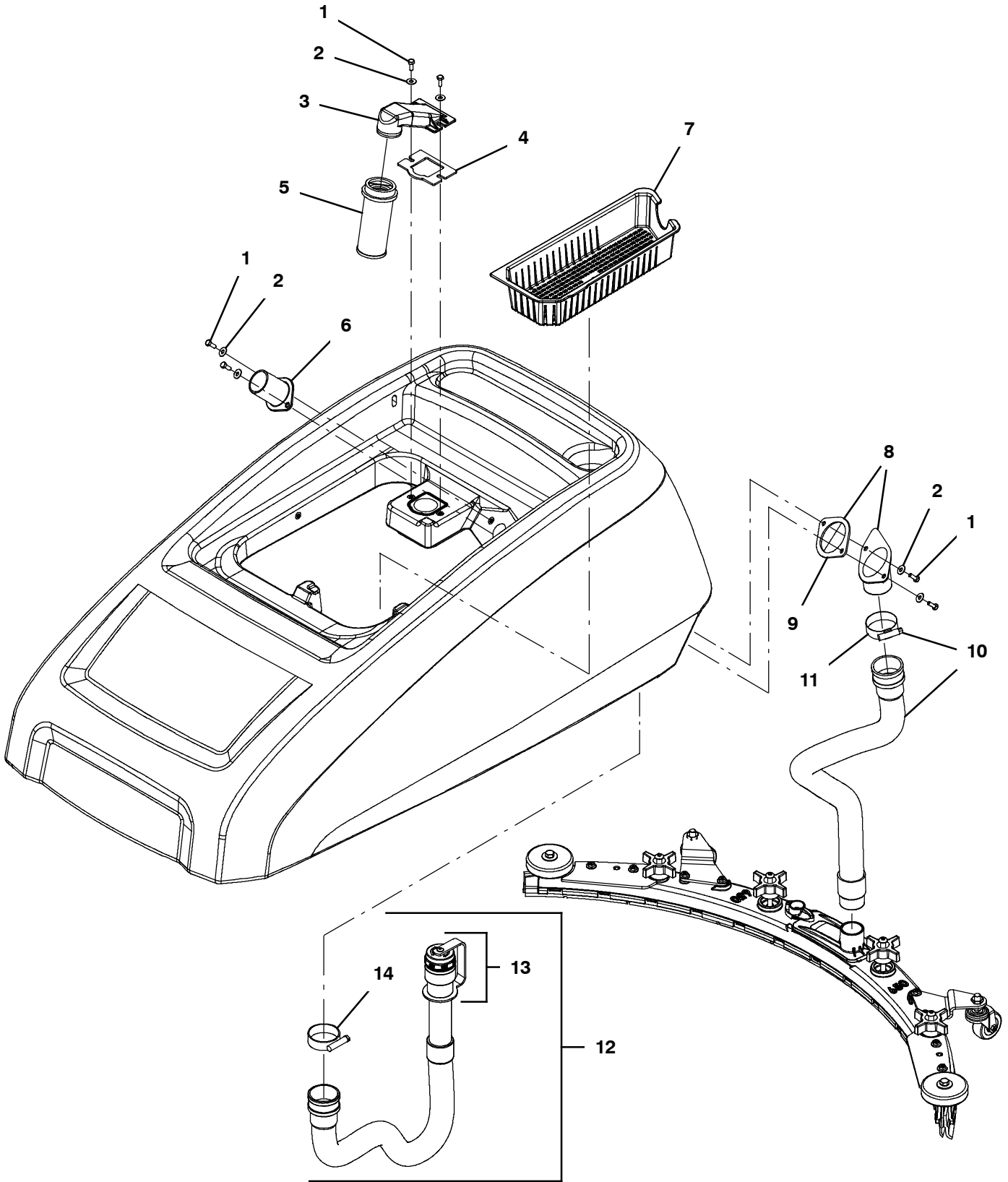
	Ref.	Part No.	Serial Number	Description	Qty.
▽	1	9016824	(10000000- 20000000)	Cover, Tank, Recvy, Afmkt [T600, Na Wlab] (With Label)	1
▲	2	1066433	(10000000- 20000000)	Seal, Afmkt, Bulb, Dual, 08ft [F/.30gap]	1
	3	1230116	(10000000- 20000000)	Bar, Rnd, Plstc, 0.31d 18.4l	1
	4	1229908	(10000000- 20000000)	Bracket, Mtg, Rod, Prop	1
	5	01685	(10000000- 20000000)	Washer, Flat, 0.38b 0.88d .08, Ss	1
	6	08713	(10000000- 20000000)	Nut, Hex, Lock, M8 X 1.25, NI, Ss	1
	7	1018155	(10000000- 20000000)	Screw, Pan, Phl, M5 X 0.80 X 16, Tcut, Ss	1
	8	1034731	(10000000- 20000000)	Screw, Hex, M6 X 1.00 X 16, Sems, Ss	1
	9	61289	(10000000- 20000000)	Bushing, Sleeve, 0.34b 0.66d 0.30l	1
	10	1229911	(10000000- 20000000)	Plate Wldt, Cover, Rcvy	1
	11	230735	(10000000- 20000000)	Sleeve, P/M, FIng, 0.33b 0.75/0.50d 0.8l	1
	12	01685	(10000000- 20000000)	Washer, Flat, 0.38b 0.88d .08, Ss	1
	13	1016399	(10000000- 20000000)	Screw, Hex, M8 X 1.25 X 30, NI, Ss	1

▽ ASSEMBLY

▲ INCLUDED IN ASSEMBLY

RECOVERY TANK FILTER AND HOSE GROUP, PINCH TWIST CAP

355600



RECOVERY TANK FILTER AND HOSE GROUP, PINCH TWIST CAP

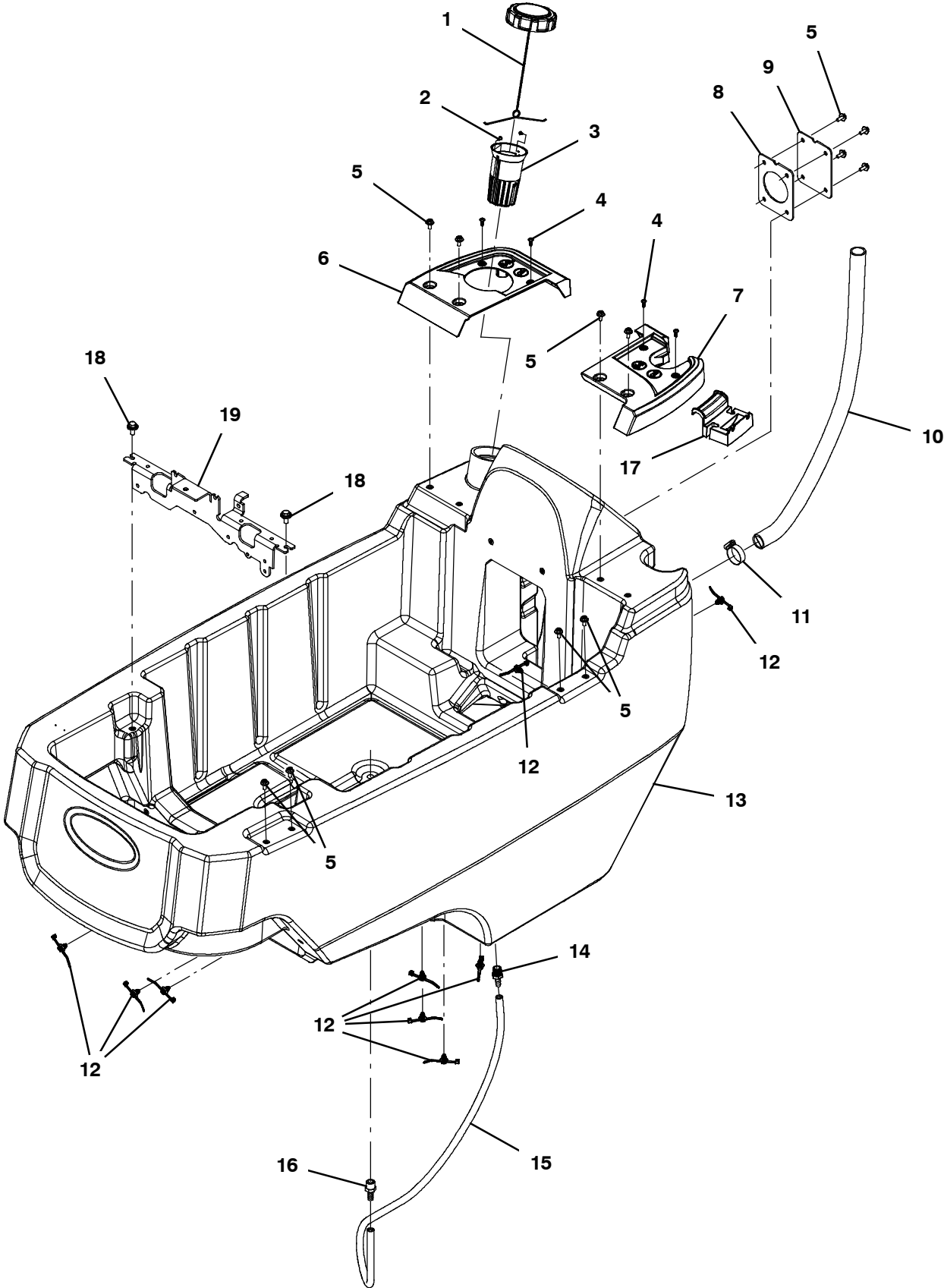
Ref.	Part No.	Serial Number	Description	Qty.	
1	11329	(10000000- 20000000)	Screw, Hex, M6 X 1.00 X 16, NI, Ss	6	
2	01684	(10000000- 20000000)	Washer, Flat, 0.27b 0.69d .05, Ss	6	
3	1011777	(10000000- 20000000)	Mount, Float, Mold	1	
4	1013628	(10000000- 20000000)	Gasket, Mtg, Float, .125th, Neo, Adh	1	
5	609531	(10000000- 20000000)	Float, Shutoff, Vacuum, 1- Ball, 1.50d	1	
6	1229076	(10000000- 20000000)	Tube, Adapter, 1.7d [T600]	1	
7	1230171	(10000000- 20000000)	Tray, Debris [T600]	1	
▽	8	9017581	(10000000- 20000000)	Tube Kit, Adapter, Afmkt [T600/T600e]	1
▲	9	1230613	(10000000- 20000000)	Gasket, Adapter, Hose, Neo	1
▽	10	9017505	(10000000- 20000000)	Hose Kit, Recvy, Pvc, Ci [T600/T600e] (Black)	1
▲	11	22297	(10000000- 20000000)	Clamp, Hose, Wormdrive, 1.56- 2.50d, .50w	1
▽	12	9017507	(10000000- 20000000)	Hose Kit, Drain, Pvc, Ci [T600/T600e] (Black)	1
▲▽	13	1218955	(10000000- 20000000)	Cap, Drain Assy [Black]	1
▲▲		1008637	(10000000- 20000000)	Seal, Org, 1.48id 1.76od	1
▲▲		1007069	(10000000- 20000000)	Cap, Drain Hose	1
▲▲		1218952	(10000000- 20000000)	Strap, Drain Cap [Black]	1
▲	14	22297	(10000000- 20000000)	Clamp, Hose, Wormdrive, 1.56- 2.50d, .50w	1

▽ ASSEMBLY

▲ INCLUDED IN ASSEMBLY

SOLUTION TANK GROUP, STANDARD FILL

355617

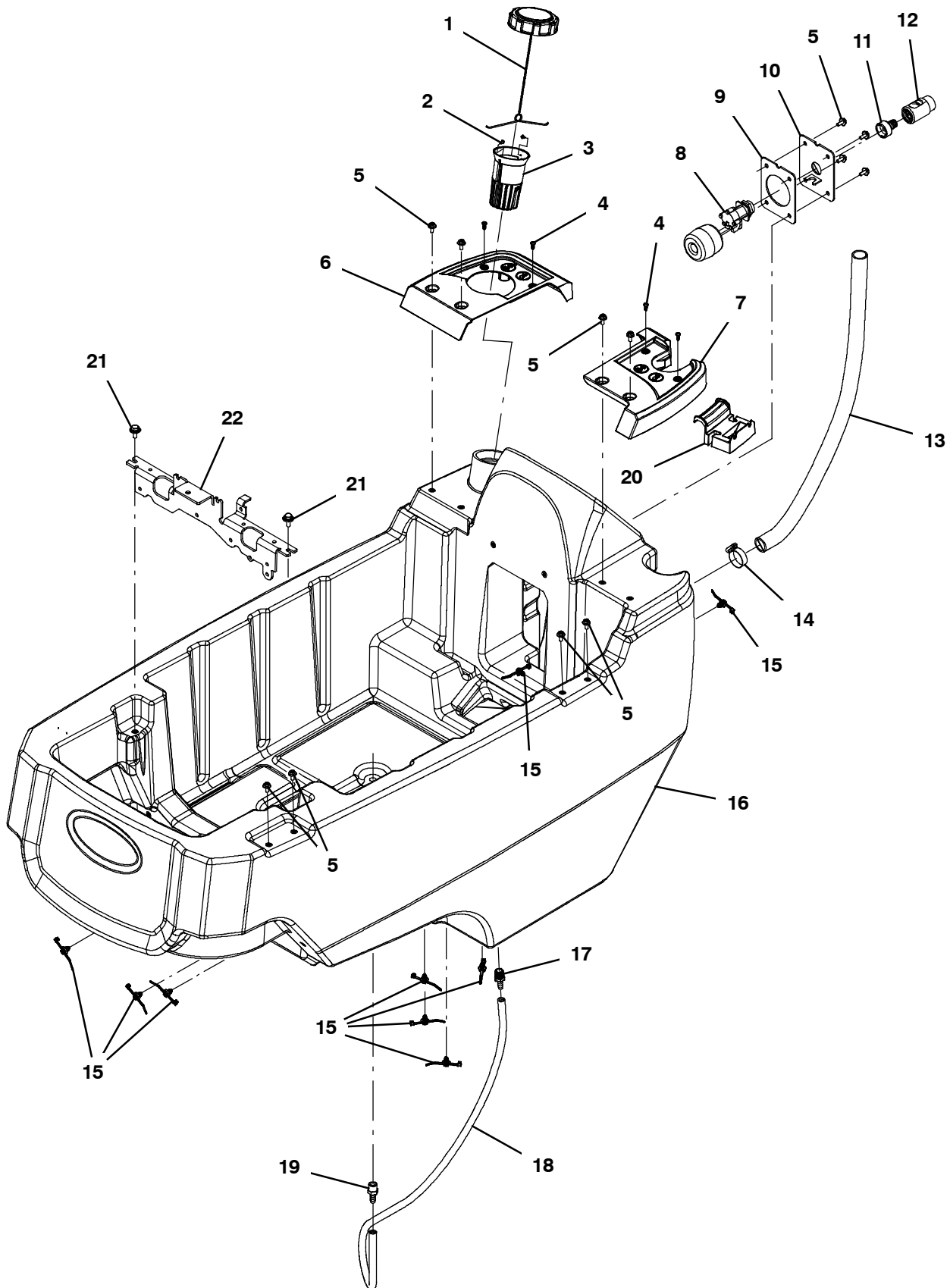


SOLUTION TANK GROUP, STANDARD FILL

Ref.	Part No.	Serial Number	Description	Qty.
1	1011885	(10000000- 20000000)	Cap, Tank	1
2	3701.6	(10000000- 20000000)	Screw, Pan, Phl, 06- 32 X 0.38, Shtmtl,Ss	2
3	1231617	(10000000- 20000000)	Strainer, Port, Fill, Taper	1
4	1018155	(10000000- 20000000)	Screw, Pan, Phl, M5 X 0.80 X 16, Tcut,Ss	4
5	1034731	(10000000- 20000000)	Screw, Hex, M6 X 1.00 X 16, Sems, Ss	12
6	1232011	(10000000- 20000000)	Tray, Accssry, Fill, Rh [T600/T600e]	1
7	1228885	(10000000- 20000000)	Tray, Accssry, Drain, Lh [T600/T600e]	1
8	1228286	(10000000- 20000000)	Gasket, Bracket, Fill, Auto	1
9	1229588	(10000000- 20000000)	Bracket, Cover, Fill	1
10	9015728	(10000000- 20000000)	Hose Kit, Drain, Soln, Ci [T500/T500e]	1
11	11399	(10000000- 20000000)	Clamp, Hose, Wormdrive, 0.81- 1.50d, .50w	1
12	1210807	(10000000- 20000000)	Wire, Tie [W/.25" Fir Tree Clip]	9
13	9016823	(10000000- 20000000)	Tank, Soltn, Afmkt [T600, T600e] (With Labels)	1
14	1233349	(10000000- 20000000)	Fitting, Plstc, Str, Bm06/Pm06 [Vented]	1
15	41295	(10000000- 20000000)	Hose, Pvc, Clr, 0.38id 0.56od 048.0l	1
16	150538	(10000000- 20000000)	Fitting, Plstc, Str, Bm06/Pm06	1
17	1214292	(10000000- 20000000)	Bracket, Hanger, Rail, Lrg (Option)	1
18	1020341	(10000000- 20000000)	Screw, Hex, M8 X 1.25 X 20, Ss, Sems	2
19	1229460	(10000000- 20000000)	Bracket, Sppt	1

SOLUTION TANK GROUP, AUTO-FILL

355603

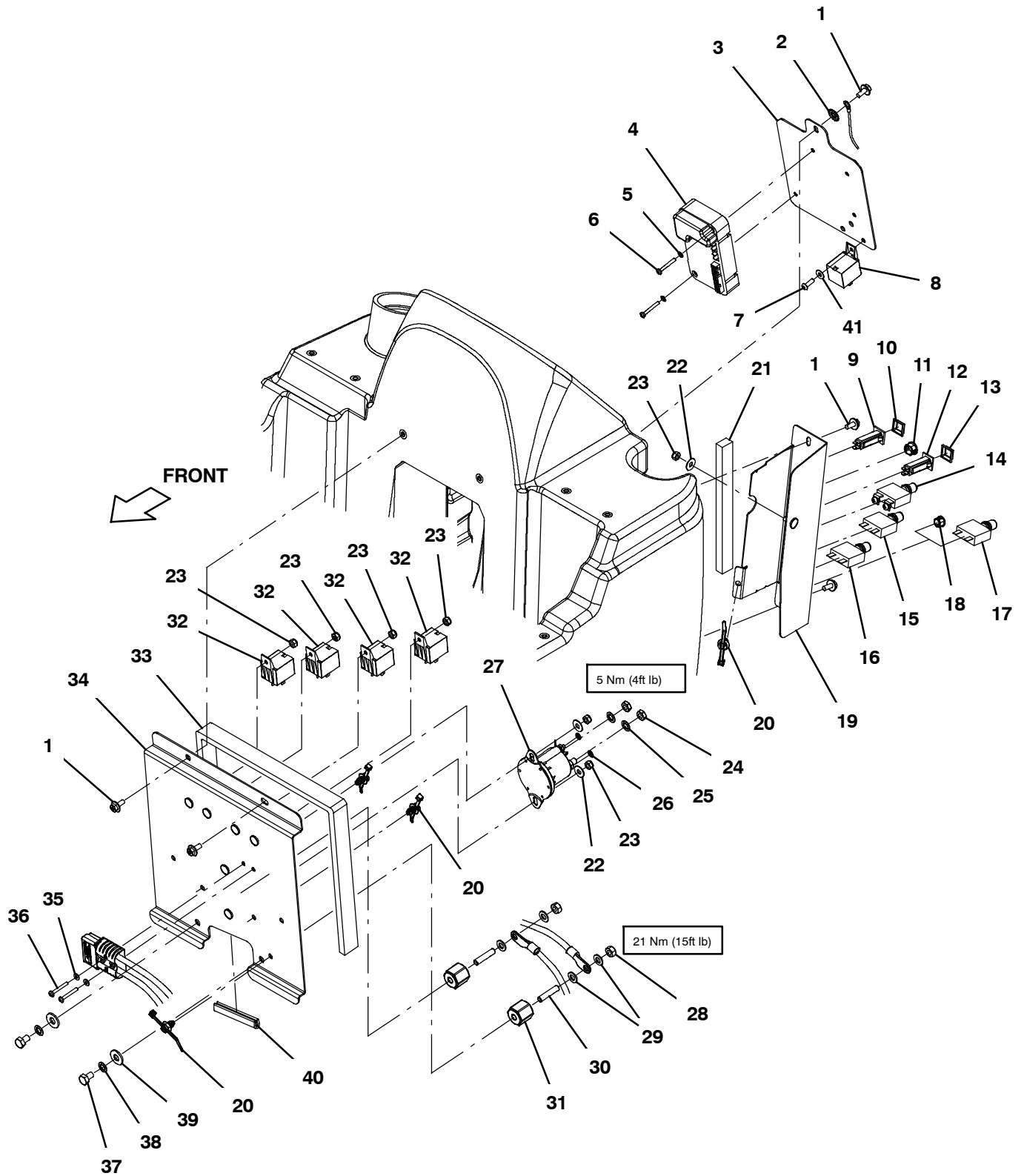


SOLUTION TANK GROUP, AUTO-FILL

Ref.	Part No.	Serial Number	Description	Qty.
1	1011885	(10000000- 20000000)	Cap, Tank	1
2	3701.6	(10000000- 20000000)	Screw, Pan, Phl, 06- 32 X 0.38, Shtmtl, Ss	2
3	1231617	(10000000- 20000000)	Strainer, Port, Fill, Taper	1
4	1018155	(10000000- 20000000)	Screw, Pan, Phl, M5 X 0.80 X 16, Tcut, Ss	4
5	1034731	(10000000- 20000000)	Screw, Hex, M6 X 1.00 X 16, Sems, Ss	12
6	1232011	(10000000- 20000000)	Tray, Accssry, Fill, Rh [T600/T600e]	1
7	1228885	(10000000- 20000000)	Tray, Accssry, Drain, Lh [T600/T600e]	1
8	1219566	(10000000- 20000000)	Valve, Float, 6.7gpm	1
9	1228286	(10000000- 20000000)	Gasket, Bracket, Fill, Auto	1
10	1231938	(10000000- 20000000)	Bracket Wldt, Fill, Auto	1
11	1227400	(10000000- 20000000)	Fitting, Plstc, Qd, Male	1
12	1227512	(10000000- 20000000)	Fitting, Plstc, Qd, Female	1
13	9015728	(10000000- 20000000)	Hose Kit, Drain, Soln, Ci [T500/T500e]	1
14	11399	(10000000- 20000000)	Clamp, Hose, Wormdrive, 0.81- 1.50d, .50w	1
15	1210807	(10000000- 20000000)	Wire, Tie [W/.25" Fir Tree Clip]	9
16	9016823	(10000000- 20000000)	Tank, Soltn, Afmkt [T600, T600e] (With Labels)	1
17	1233349	(10000000- 20000000)	Fitting, Plstc, Str, Bm06/Pm06 [Vented]	1
18	41295	(10000000- 20000000)	Hose, Pvc, Clr, 0.38id 0.56od 048.0l	1
19	150538	(10000000- 20000000)	Fitting, Plstc, Str, Bm06/Pm06	1
20	1214292	(10000000- 20000000)	Bracket, Hanger, Rail, Lrg (Option)	1
21	1020341	(10000000- 20000000)	Screw, Hex, M8 X 1.25 X 20, Ss, Sems	2
22	1229460	(10000000- 20000000)	Bracket, Sppt	1

STANDARD ELECTRICAL GROUP (T600e MODEL)

355650



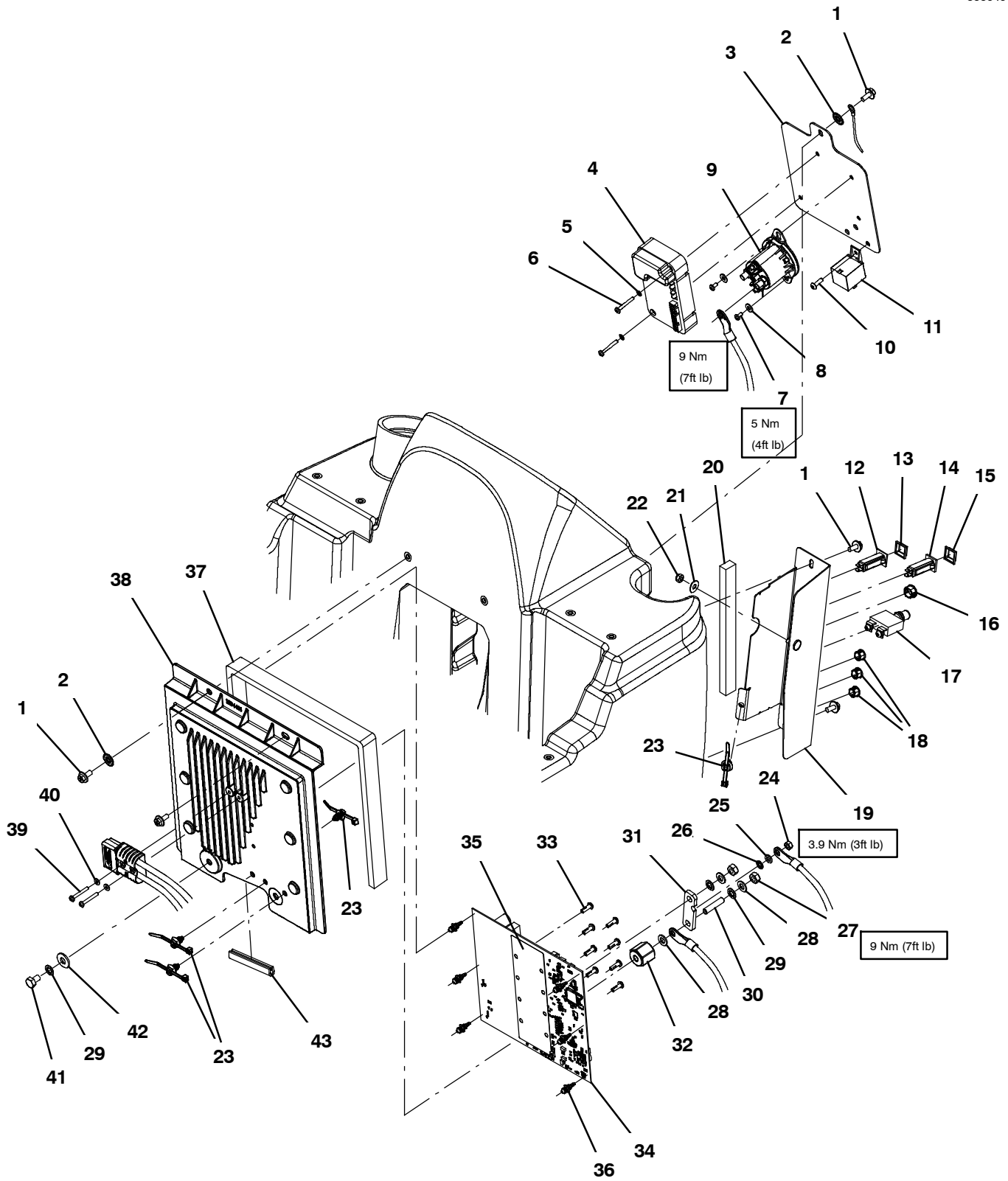
STANDARD ELECTRICAL GROUP (T600e MODEL)

Ref.	Part No.	Serial Number	Description	Qty.
1	1034731	(10000000- 20000000)	Screw, Hex, M6 X 1.00 X 16, Sems, Ss	3
2	41140	(10000000- 20000000)	Washer, Lock, Int- Ext, 0.25	2
3	1232434	(10000000- 20000000)	Bracket Wldt, Mtg, Control, Full	1
4	9017641*	(10000000- 20000000)	Controller Kit, Drive, Ci [T600/T600e]	1
5	02938	(10000000- 20000000)	Washer, Lock, Int, 08, Ss	2
6	33931	(10000000- 20000000)	Screw, Pan, Phl, M4 X 0.70 X 30, Ss	2
7	579237	(10000000- 20000000)	Screw, Pan, Phl, M4 X 0.70 X 12, Ss	1
8	1229172	(10000000- 20000000)	Relay, 36vdc, 025a, Spdt (ABW & ecH2O Models)	1
9	1064184	(10000000- 20000000)	Circuitbreaker, 02.5a, Resetable (Key Switch)	1
10	1064191	(10000000- 20000000)	Boot, Circuitbreaker	1
11	1058340	(10000000- 20000000)	Plug, Hole, Rnd, 0.63h 0.1l, Blk	1
12	1064187	(10000000- 20000000)	Circuitbreaker, 10.0a, Resetable (Actuator)	1
13	1064191	(10000000- 20000000)	Boot, Circuitbreaker	1
14	383727	(10000000- 20000000)	Circuitbreaker, 40.0a, Resetable (I- Drive)	1
15	383724	(10000000- 20000000)	Circuitbreaker, 25.0a, Resetable (Vacuum Fan)	1
16	383725	(10000000- 20000000)	Circuitbreaker, 30.0a, Resetable (Left Scrub Motor Disk & Cyld)	1
16	383725	(10000000- 20000000)	Circuitbreaker, 30.0a, Resetable (Scrub Motor Orbital)	1
17	383725	(10000000- 20000000)	Circuitbreaker, 30.0a, Resetable (Right Scrub Motor Disk & Cyld)	1
18	1232354	(10000000- 20000000)	Plug, Hole, Double D, 12.7 Dia (Orbital Head Only)	1
19	9016844	(10000000- 20000000)	Bracket, Circuitbreaker, Afmkt [T600]	5
20	1210807	(10000000- 20000000)	Wire, Tie [W/.25" Fir Tree Clip]	4
21	1230333	(10000000- 20000000)	Gasket, Neo, .50 X .75, Psa	1
22	01684	(10000000- 20000000)	Washer, Flat, 0.27b 0.69d .05, Ss	3
23	08712	(10000000- 20000000)	Nut, Hex, Lock, M6 X 1.00, NI, Ss	7
24	20170	(10000000- 20000000)	Nut, Hex, Jam, .31- 24	2
25	32984	(10000000- 20000000)	Washer, Lock, Int, 0.31	2
26	32980	(10000000- 20000000)	Washer, Lock, Int, 10	2
27	1228368	(10000000- 20000000)	Relay, 36vdc, 125a, No	1
28	41361	(10000000- 20000000)	Nut, Hex, Std, M8 X 1.25, Brs	2
29	1209373	(10000000- 20000000)	Washer, Flat, M8.4b X 16d X 1.6, Brs	4
30	607461	(10000000- 20000000)	Screw, Set, M8 X 1.25 X 35, NI	1
31	1205345	(10000000- 20000000)	Stand- Off, Wir, M8, Insulator, Panel	2
32	1229172	(10000000- 20000000)	Relay, 36vdc, 025a, Spdt	4
33	1219045	(10000000- 20000000)	Gasket, Cover, Circuitboard	1
34	1229346	(10000000- 20000000)	Plate Wldt, Mtg, Ele	1
35	41578	(10000000- 20000000)	Washer, Flat, 06, Ss	2
36	33931	(10000000- 20000000)	Screw, Pan, Phl, M4 X 0.70 X 30, Ss	2
37	386868	(10000000- 20000000)	Screw, Hex, M8 X 1.25 X 12, Ss	2
38	43952	(10000000- 20000000)	Washer, Lock, Int, 0.31, Ss	2
39	01685	(10000000- 20000000)	Washer, Flat, 0.38b 0.88d .08, Ss	2
40	1020168	(10000000- 20000000)	Molding, Afmkt, Trim, Pvc, .08 .11, 01ft	1
41	01683	(10000000- 20000000)	Washer, Flat, 10, Ss	1

* Requires Tennant *True* service or an authorized Tennant service provider.

STANDARD ELECTRICAL GROUP (T600 MODEL)

355649



STANDARD ELECTRICAL GROUP (T600 MODEL)

Ref.	Part No.	Serial Number	Description	Qty.	
1	1034731	(10000000- 20000000)	Screw, Hex, M6 X 1.00 X 16, Sems, Ss	3	
2	41140	(10000000- 20000000)	Washer, Lock, Int- Ext, 0.25	2	
3	1232434	(10000000- 20000000)	Bracket Wldt, Mtg, Control, Full	1	
4	9017641*	(10000000- 20000000)	Controller Kit, Drive, Ci [T600/T600e]	1	
5	02938	(10000000- 20000000)	Washer, Lock, Int, 08, Ss	2	
6	33931	(10000000- 20000000)	Screw, Pan, Phl, M4 X 0.70 X 30, Ss	2	
7	391403	(10000000- 20000000)	Screw, Pan, Phl, M4 X 0.70 X 8, Ss	2	
8	01683	(10000000- 20000000)	Washer, Flat, 10, Ss	2	
9	1228368	(10000000- 20000000)	Relay, 36vdc, 125a, No	1	
10	1205799	(10000000- 20000000)	Screw, Btn, M5 X 0.8 X 16, 8.8, NI, Torx	1	
11	1229172	(10000000- 20000000)	Relay, 36vdc, 025a, Spdt	1	
12	1064184	(10000000- 20000000)	Circuitbreaker, 02.5a, Resetable (Key Switch)	1	
13	1064191	(10000000- 20000000)	Boot, Circuitbreaker	1	
14	1064187	(10000000- 20000000)	Circuitbreaker, 10.0a, Resetable (Main Control Board)	1	
15	1064191	(10000000- 20000000)	Boot, Circuitbreaker	1	
16	1058340	(10000000- 20000000)	Plug, Hole, Rnd, 0.63h 0.1l, Blk	1	
17	383727	(10000000- 20000000)	Circuitbreaker, 40.0a, Resetable (I- Drive)	1	
18	1232354	(10000000- 20000000)	Plug, Hole, Double D, 12.7 Dia	3	
19	9016844	(10000000- 20000000)	Bracket, Circuitbreaker, Afmkt [T600]	1	
20	1230333	(10000000- 20000000)	Gasket, Neo, .50 X .75, Psa	1	
21	01684	(10000000- 20000000)	Washer, Flat, 0.27b 0.69d .05, Ss	1	
22	08712	(10000000- 20000000)	Nut, Hex, Lock, M6 X 1.00, NI, Ss	1	
23	1210807	(10000000- 20000000)	Wire, Tie [W/.25" Fir Tree Clip]	3	
24	1061910	(10000000- 20000000)	Nut, Hex, Std, M6 X 1.00, Brs	1	
25	1061918	(10000000- 20000000)	Washer, Flat, 0.25b 0.47d .06, Brs	1	
26	07515	(10000000- 20000000)	Washer, Lock, Int, 0.25, Ss	1	
27	41361	(10000000- 20000000)	Nut, Hex, Std, M8 X 1.25, Brs	2	
28	1209373	(10000000- 20000000)	Washer, Flat, M8.4b X 16d X 1.6, Brs	3	
29	43952	(10000000- 20000000)	Washer, Lock, Int, 0.31, Ss	3	
30	607461	(10000000- 20000000)	Screw, Set, M8 X 1.25 X 35, NI	1	
31	1212780	(10000000- 20000000)	Busbar, 125a 0.188 0.750w 2.638l	1	
32	1205345	(10000000- 20000000)	Stand- Off, Wir, M8, Insulator, Panel	1	
33	1205799	(10000000- 20000000)	Screw, Btn, M5 X 0.8 X 16, 8.8, NI, Torx	8	
▽	34	9017501	(10000000- 20000000)	Circuitboard Kit, Ci [T600]	1
▲	27964	(10000000- 20000000)	Strap, Ground, Static, Disposable	1	
▲	1071235	(10000000- 20000000)	Cable [Usb, 2m, A- Male To Mini- B- Male]	1	
35	1220930	(10000000- 20000000)	Circuitboard, Silpad [T500, Main Scrub]	1	
36	1209448	(10000000- 20000000)	Standoff, Circuitboard, .25	6	
37	1219045	(10000000- 20000000)	Gasket, Cover, Circuitboard	1	
38	1234401	(10000000- 20000000)	Heatsink, Mtg, Circuitboard, Machined	1	
39	33931	(10000000- 20000000)	Screw, Pan, Phl, M4 X 0.70 X 30, Ss	2	
40	41578	(10000000- 20000000)	Washer, Flat, 06, Ss	2	
41	386868	(10000000- 20000000)	Screw, Hex, M8 X 1.25 X 12, Ss	1	
42	01685	(10000000- 20000000)	Washer, Flat, 0.38b 0.88d .08, Ss	1	
43	1020168	(10000000- 20000000)	Molding, Afmkt, Trim, Pvc, .08 .11, 01ft	1	

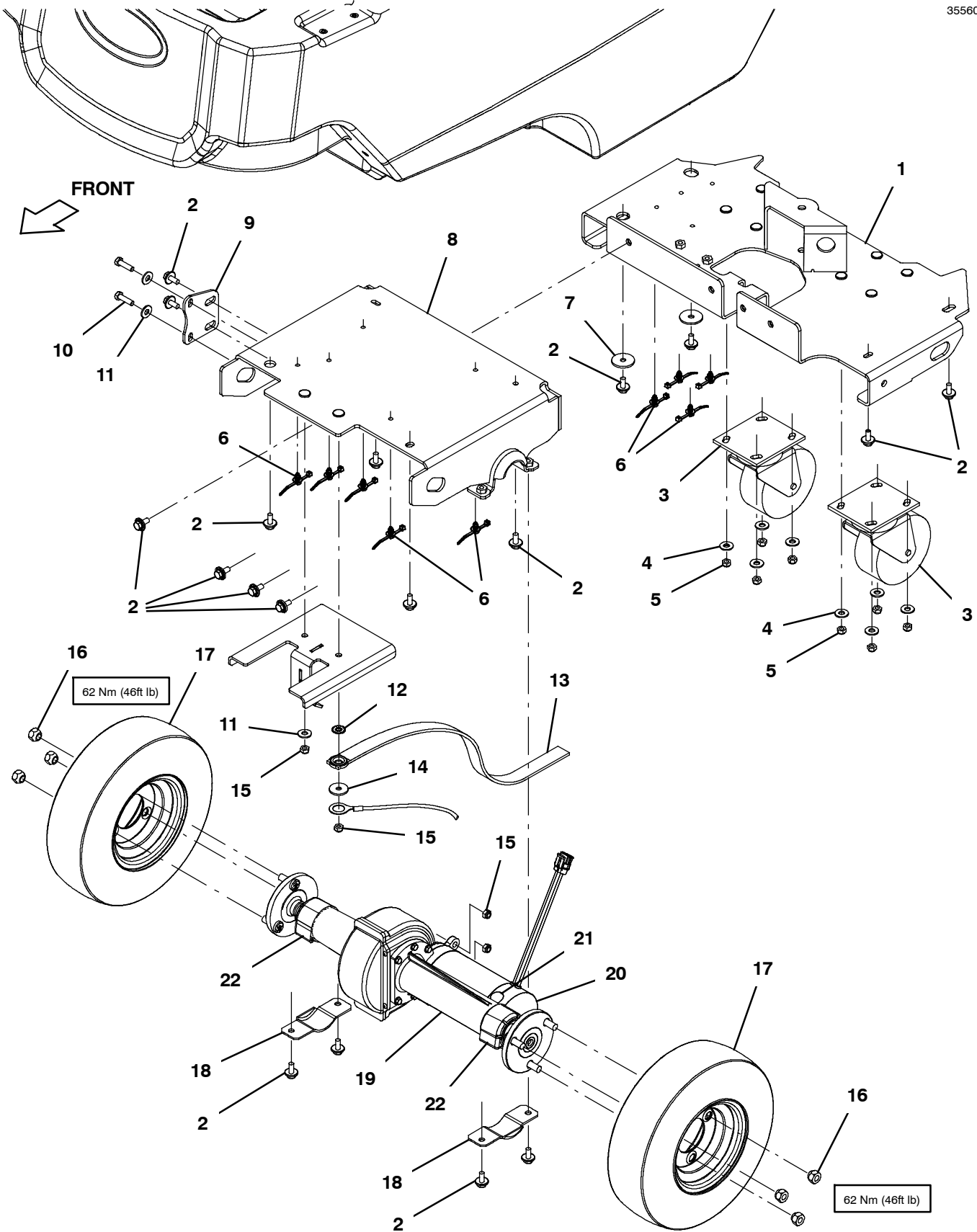
* Requires Tennant *True* service or an authorized Tennant service provider.

▽ ASSEMBLY

▲ INCLUDED IN ASSEMBLY

FRAME AND DRIVE GROUP, WITHOUT PARK LOCK

355606



FRAME AND DRIVE GROUP, WITHOUT PARK LOCK

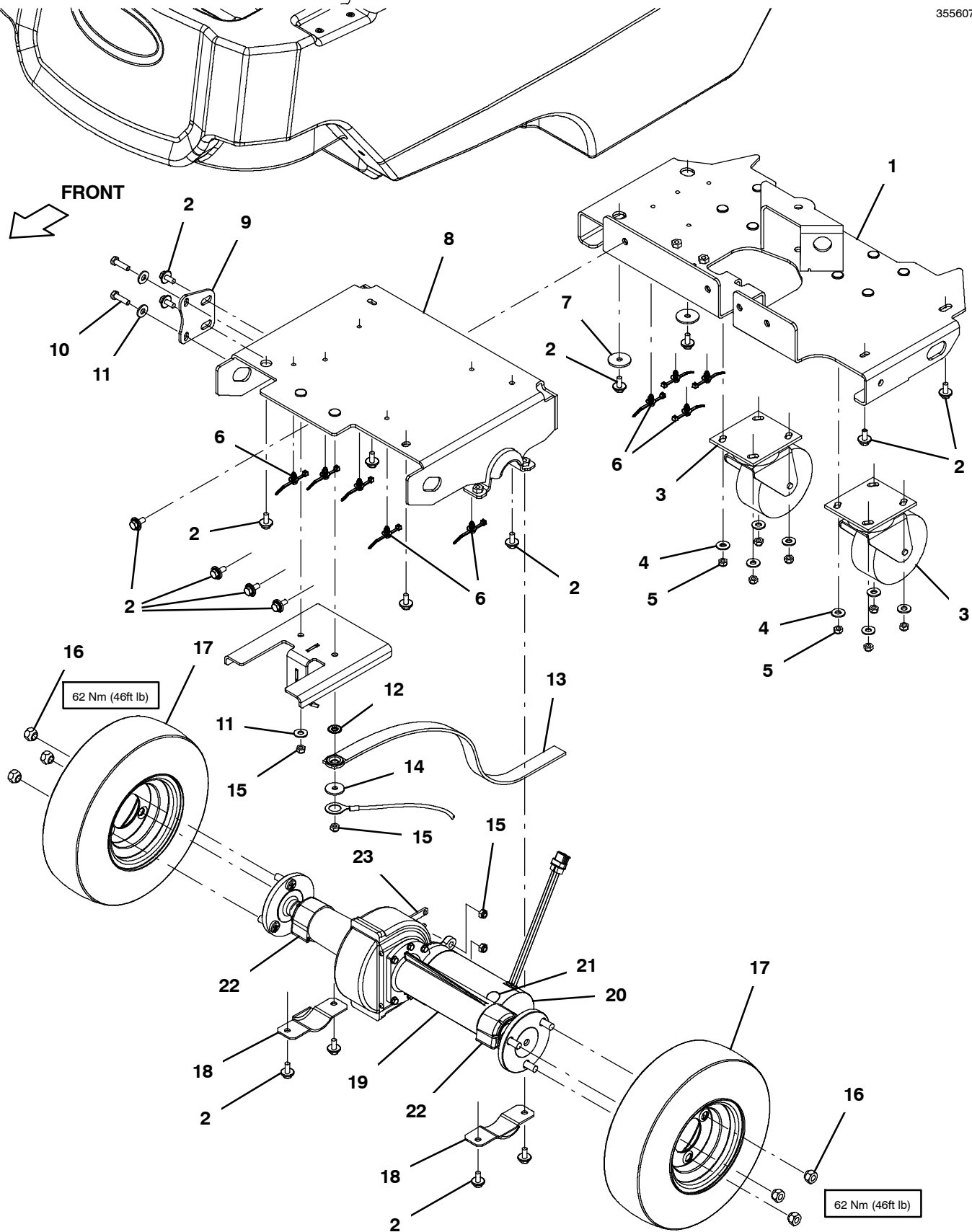
Ref.	Part No.	Serial Number	Description	Qty.	
1	9016858	(10000000- 20000000)	Frame, Afmkt [T600, T600e] (With Label)	1	
2	1020341	(10000000- 20000000)	Screw, Hex, M8 X 1.25 X 20, Ss, Sems	18	
3	1049046	(10000000- 20000000)	Caster, Swivel, 5.0d 2.0w, 4hole, Gray	2	
4	01685	(10000000- 20000000)	Washer, Flat, 0.38b 0.88d .08, Ss	8	
5	08713	(10000000- 20000000)	Nut, Hex, Lock, M8 X 1.25, NI, Ss	8	
6	1210807	(10000000- 20000000)	Wire, Tie [W/.25" Fir Tree Clip]	9	
7	1016331	(10000000- 20000000)	Washer, Flat, 0.34b 1.25d .11, Ss	2	
8	1228962	(10000000- 20000000)	Frame Wldt, Front	1	
9	1230091	(10000000- 20000000)	Bracket, Frame, Anti- Rotate	1	
10	1016399	(10000000- 20000000)	Screw, Hex, M8 X 1.25 X 30, NI, Ss	2	
11	01685	(10000000- 20000000)	Washer, Flat, 0.38b 0.88d .08, Ss	3	
12	41141	(10000000- 20000000)	Washer, Lock, Int- Ext, 0.31	1	
13	71579	(10000000- 20000000)	Strap, Static, W/Grommet, .19 1.1w 25.0l	1	
14	01685	(10000000- 20000000)	Washer, Flat, 0.38b 0.88d .08, Ss	1	
15	08713	(10000000- 20000000)	Nut, Hex, Lock, M8 X 1.25, NI, Ss	4	
16	11109	(10000000- 20000000)	Nut, Wheel, .44- 20 X 60 Angle	6	
17	1236073	(10000000- 20000000)	Tire Assy, Solid, 4.1/3.5- 06 3.5bc/3bolt (Standard)	2	
17	1059450	(10000000- 20000000)	Tire Assy, Pneu, Blk, 4.10/3.5- 06 3.5bc (Option)	2	
17	1231001	(10000000- 20000000)	Tire Assy, Foam, 4.10/3.5- 06 3.5bc/3bolt (Option)	2	
18	222036	(10000000- 20000000)	Bracket, Mtg, Isolator	2	
▽	19	1230428	(10000000- 20000000)	Transaxle Assy, W/O Park Lock	1
▲▽	20	1072554	(10000000- 20000000)	Vr, Motor Kit, Transaxle [5680/5700]	1
▲▲	21	1072555	(10000000- 20000000)	Vr, Brush Kit, Motor 1072554	1
▲	22	222035	(10000000- 20000000)	Isolator, Vib, Transaxle	2

▽ ASSEMBLY

▲ INCLUDED IN ASSEMBLY

FRAME AND DRIVE GROUP, WITH PARK LOCK

355607



FRAME AND DRIVE GROUP, WITH PARK LOCK

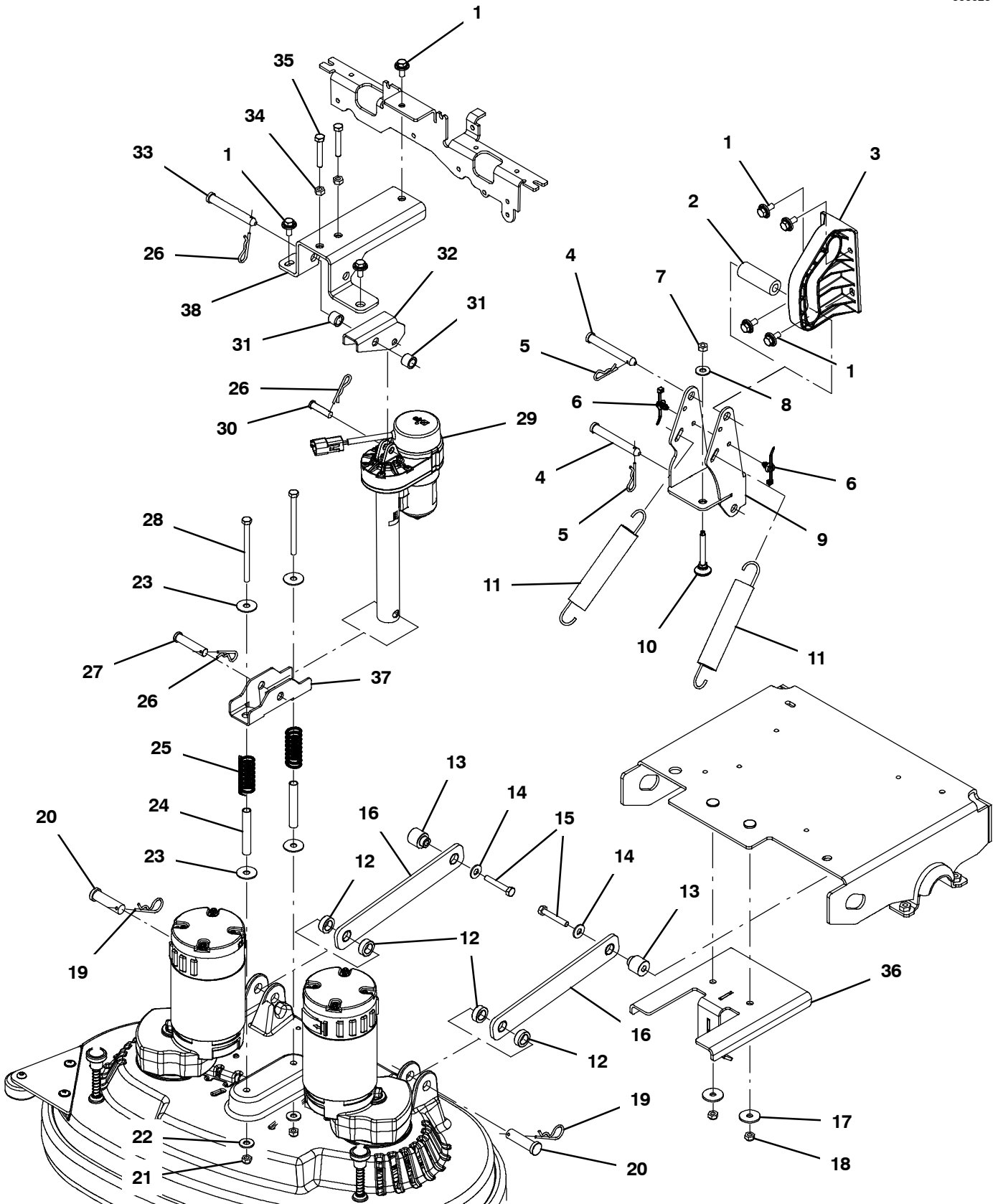
Ref.	Part No.	Serial Number	Description	Qty.	
1	9016858	(10000000- 20000000)	Frame, Afmkt [T600, T600e] (With Label)	1	
2	1020341	(10000000- 20000000)	Screw, Hex, M8 X 1.25 X 20, Ss, Sems	18	
3	1049046	(10000000- 20000000)	Caster, Swivel, 5.0d 2.0w, 4hole, Gray	2	
4	01685	(10000000- 20000000)	Washer, Flat, 0.38b 0.88d .08, Ss	8	
5	08713	(10000000- 20000000)	Nut, Hex, Lock, M8 X 1.25, NI, Ss	8	
6	1210807	(10000000- 20000000)	Wire, Tie [W/.25" Fir Tree Clip]	9	
7	1016331	(10000000- 20000000)	Washer, Flat, 0.34b 1.25d .11, Ss	2	
8	1228962	(10000000- 20000000)	Frame Wldt, Front	1	
9	1230091	(10000000- 20000000)	Bracket, Frame, Anti- Rotate	1	
10	1016399	(10000000- 20000000)	Screw, Hex, M8 X 1.25 X 30, NI, Ss	2	
11	01685	(10000000- 20000000)	Washer, Flat, 0.38b 0.88d .08, Ss	3	
12	41141	(10000000- 20000000)	Washer, Lock, Int- Ext, 0.31	1	
13	71579	(10000000- 20000000)	Strap, Static, W/Grommet, .19 1.1w 25.0l	1	
14	01685	(10000000- 20000000)	Washer, Flat, 0.38b 0.88d .08, Ss	1	
15	08713	(10000000- 20000000)	Nut, Hex, Lock, M8 X 1.25, NI, Ss	4	
16	11109	(10000000- 20000000)	Nut, Wheel, .44- 20 X 60 Angle	6	
17	1236073	(10000000- 20000000)	Tire Assy, Solid, 4.1/3.5- 06 3.5bc/3bolt (Standard)	2	
17	1059450	(10000000- 20000000)	Tire Assy, Pneu, Blk, 4.10/3.5- 06 3.5bc (Option)	2	
17	1231001	(10000000- 20000000)	Tire Assy, Foam, 4.10/3.5- 06 3.5bc/3bolt (Option)	2	
18	222036	(10000000- 20000000)	Bracket, Mtg, Isolator	2	
▽	19	1230422	(10000000- 20000000)	Transaxle Assy, [W/Park Lock]	1
▲▽	20	1072554	(10000000- 20000000)	Vr, Motor Kit, Transaxle [5680/5700]	1
▲▲	21	1072555	(10000000- 20000000)	Vr, Brush Kit, Motor 1072554	1
▲	22	222035	(10000000- 20000000)	Isolator, Vib, Transaxle	2
▲	23	1074732	(10000000- 20000000)	Brake, Transaxle	1

▽ ASSEMBLY

▲ INCLUDED IN ASSEMBLY

HEAD LIFT GROUP, DISK

355628

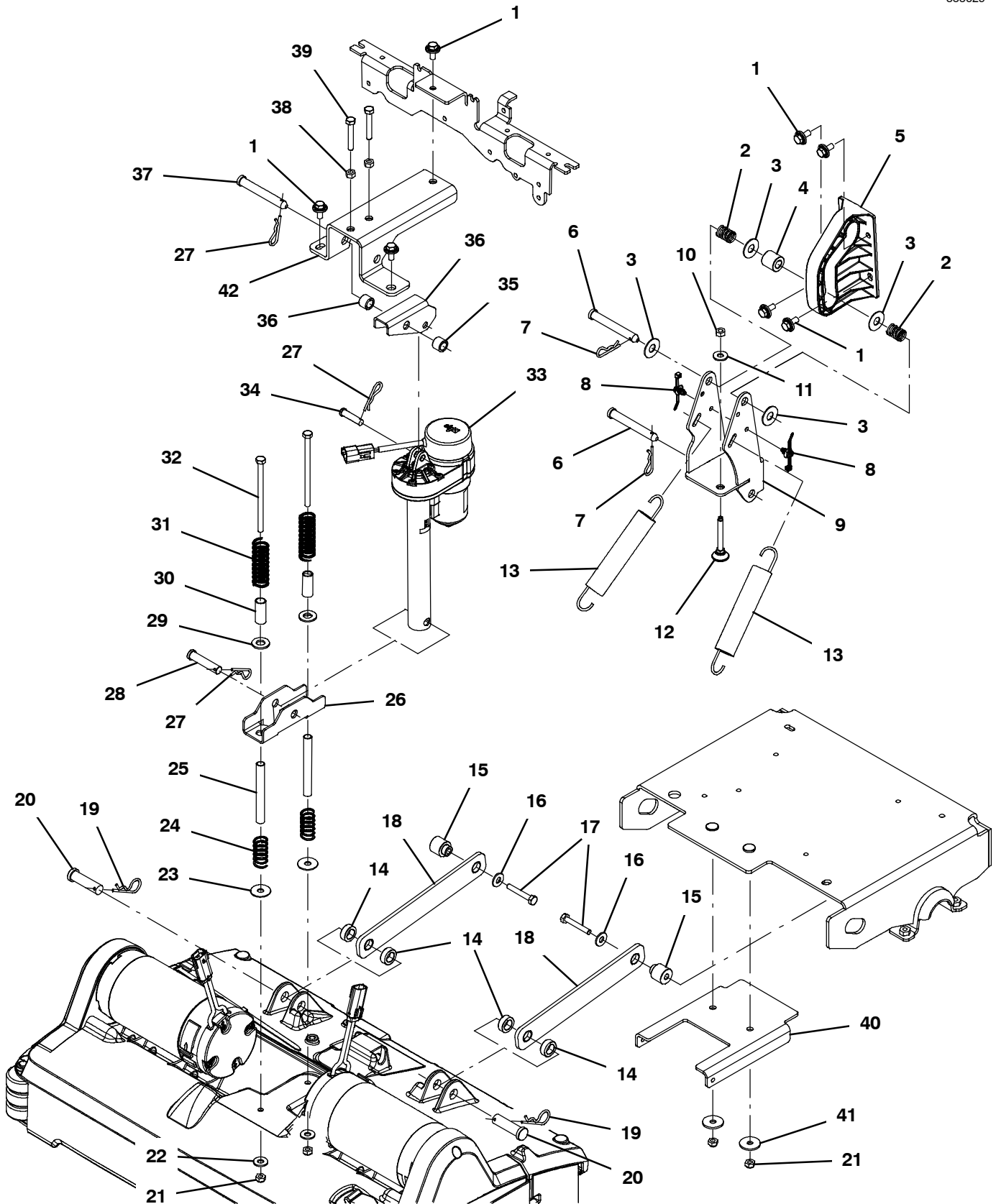


HEAD LIFT GROUP, DISK

Ref.	Part No.	Serial Number	Description	Qty.
1	1020341	(10000000- 20000000)	Screw, Hex, M8 X 1.25 X 20, Ss, Sems	7
2	1220305	(10000000- 20000000)	Tube, Plstc, 0.51id 0.98od 02.8l	1
3	1219912	(10000000- 20000000)	Bracket, Guide, Head[T500]	1
4	374225	(10000000- 20000000)	Pin, Clevis, 0.50d X 3.75l	2
5	140626	(10000000- 20000000)	Pin, Cotter, Hair, 0.25d .125 Wir	2
6	1210807	(10000000- 20000000)	Wire, Tie [W/.25" Fir Tree Clip]	2
7	07786	(10000000- 20000000)	Nut, Hex, Std, M8 X 1.25, Ss	1
8	01685	(10000000- 20000000)	Washer, Flat, 0.38b 0.88d .08, Ss	1
9	1221507	(10000000- 20000000)	Pivot Wldt, Head, Scrub [T500]	1
10	1227530	(10000000- 20000000)	Screw, Leveler, M8x75	1
11	222363	(10000000- 20000000)	Spring, Extn, 1.23od 0.15wir 06.5l	2
12	1235274	(10000000- 20000000)	Spacer, Head	4
13	1235275	(10000000- 20000000)	Spacer, Frame	2
14	01685	(10000000- 20000000)	Washer, Flat, 0.38b 0.88d .08, Ss	2
15	73399	(10000000- 20000000)	Screw, Hex, M8 X 1.25 X 50, NI, Ss	2
16	9016859	(10000000- 20000000)	Arm Assy, Lift, Hd, Scb, Afmkt [T600]	2
17	1016331	(10000000- 20000000)	Washer, Flat, 0.34b 1.25d .11, Ss	2
18	08713	(10000000- 20000000)	Nut, Hex, Lock, M8 X 1.25, NI, Ss	2
19	02942	(10000000- 20000000)	Pin, Hair, Cotter, 0.62d .120 Wir	2
20	222210	(10000000- 20000000)	Pin, Clevis, 0.62d X 2.12l	2
21	08713	(10000000- 20000000)	Nut, Hex, Lock, M8 X 1.25, NI, Ss	2
22	01685	(10000000- 20000000)	Washer, Flat, 0.38b 0.88d .08, Ss	2
23	32662	(10000000- 20000000)	Washer, Flat, 0.38b 1.22d .06, Ss	4
24	1230697	(10000000- 20000000)	Sleeve, 0.4id .50d 3.2l	2
25	1230441	(10000000- 20000000)	Spring, Cmpr, 0.97od .11wir 2.50l (T600e / T600 Models)	2
25	1230442	(10000000- 20000000)	Spring, Cmpr, 0.93od .14wir 2.03l (T600e / T600 Heavy Down Pressure Models)	2
26	140626	(10000000- 20000000)	Pin, Cotter, Hair, 0.25d .125 Wir	3
27	11211	(10000000- 20000000)	Pin, Clevis, 0.50d X 2.25l	1
28	364441	(10000000- 20000000)	Screw, Hex, M8 X 1.25 X 110, Ss	2
29	9016971	(10000000- 20000000)	Actuator, Replmt, 36vdc, 04.4strk (T600e Model)	1
29	9016972	(10000000- 20000000)	Actuator, Replmt, 36vdc, 04.5strk [Hd] (T600e Heavy Down Pressure Model)	1
29	9016969	(10000000- 20000000)	Actuator, Replmt, 36vdc, 7.00strk (T600 / T600 Heavy Duty Down Pressure Models)	1
30	29558	(10000000- 20000000)	Pin, Clevis, 0.37d X 1.50l	1
31	1230044	(10000000- 20000000)	Sleeve, 0.50b 0.75d 0.59l	2
32	1229682	(10000000- 20000000)	Bracket, Mount, Tilt, Actuator [T600]	1
33	374225	(10000000- 20000000)	Pin, Clevis, 0.50d X 3.75l	1
34	07786	(10000000- 20000000)	Nut, Hex, Std, M8 X 1.25, Ss	2
35	578717	(10000000- 20000000)	Screw, Hex, M8 X 1.25 X 50, FI, Ss	2
36	1230097	(10000000- 20000000)	Bracket Wldt, Frame, Stop	1
37	1230622	(10000000- 20000000)	Brkt, Spring, Suspension, Head	1
38	1229680	(10000000- 20000000)	Bracket Wldt, Mount, Actuator [T600]	1

HEAD LIFT GROUP, CYLINDRICAL

355629

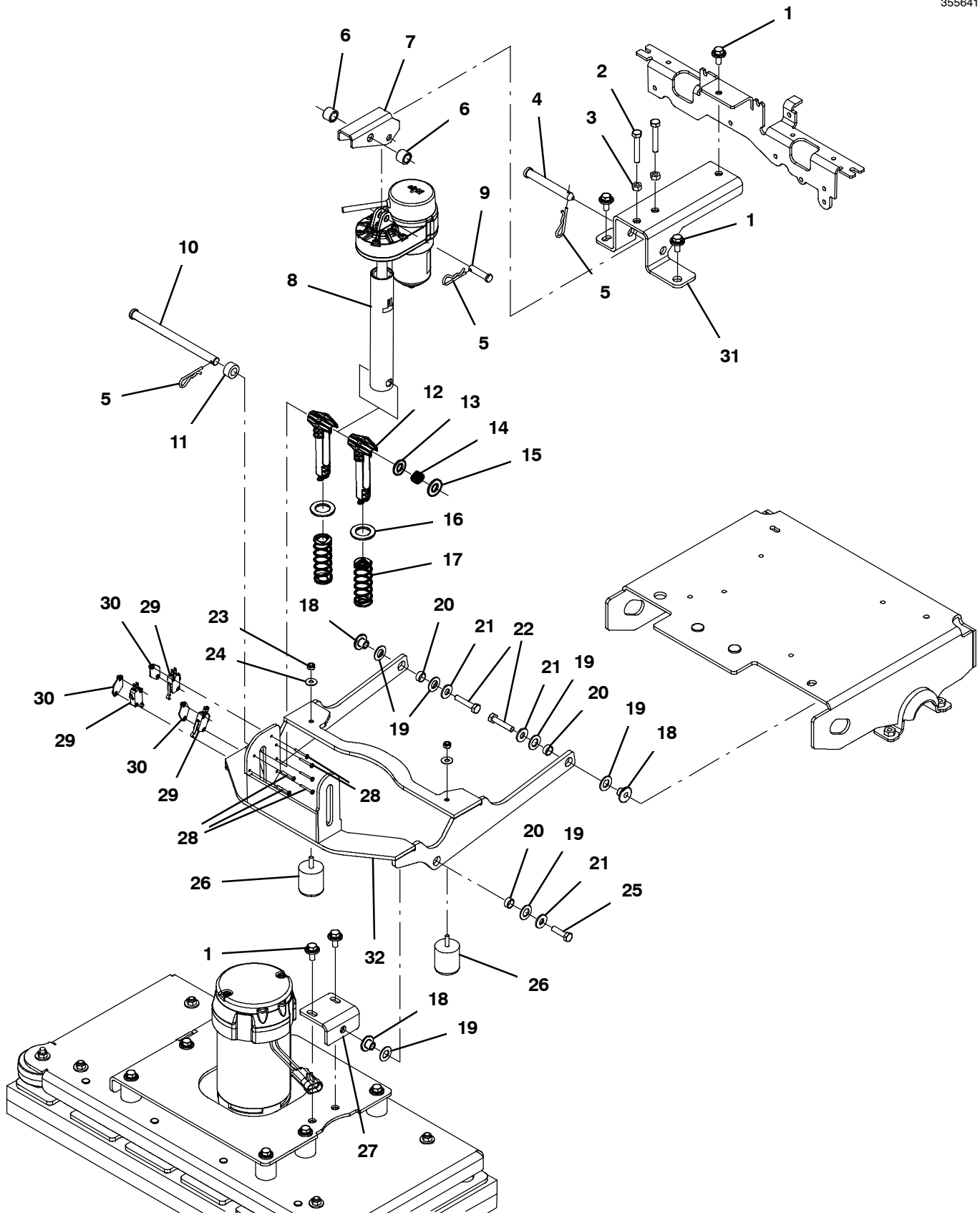


HEAD LIFT GROUP, CYLINDRICAL

Ref.	Part No.	Serial Number	Description	Qty.
1	1020341	(10000000- 20000000)	Screw, Hex, M8 X 1.25 X 20, Ss, Sems	7
2	607920	(10000000- 20000000)	Spring, Cmpr, 0.70od .10wir 01.0l, Mw	2
3	140045	(10000000- 20000000)	Washer, Flat, 0.51b 1.25d .06, Ss	4
4	1014020	(10000000- 20000000)	Roller, 0.99d 0.50b 0.95l, Acetal	1
5	1219912	(10000000- 20000000)	Bracket, Guide, Head[T500]	1
6	374225	(10000000- 20000000)	Pin, Clevis, 0.50d X 3.75l	2
7	140626	(10000000- 20000000)	Pin, Cotter, Hair, 0.25d .125 Wir	2
8	1210807	(10000000- 20000000)	Wire, Tie [W/.25" Fir Tree Clip]	2
9	1221507	(10000000- 20000000)	Pivot Wldt, Head, Scrub [T500]	1
10	07786	(10000000- 20000000)	Nut, Hex, Std, M8 X 1.25, Ss	1
11	01685	(10000000- 20000000)	Washer, Flat, 0.38b 0.88d .08, Ss	1
12	1227530	(10000000- 20000000)	Screw, Leveler, M8x75	1
13	222363	(10000000- 20000000)	Spring, Extn, 1.23od 0.15wir 06.5l	2
14	1235274	(10000000- 20000000)	Spacer, Head	4
15	1235275	(10000000- 20000000)	Spacer, Frame	2
16	01685	(10000000- 20000000)	Washer, Flat, 0.38b 0.88d .08, Ss	2
17	73399	(10000000- 20000000)	Screw, Hex, M8 X 1.25 X 50, NI, Ss	2
18	9016859	(10000000- 20000000)	Arm Assy, Lift, Hd, Scb, Afmkt [T600]	2
19	02942	(10000000- 20000000)	Pin, Hair, Cotter, 0.62d .120 Wir	2
20	222210	(10000000- 20000000)	Pin, Clevis, 0.62d X 2.12l	2
21	08713	(10000000- 20000000)	Nut, Hex, Lock, M8 X 1.25, NI, Ss	4
22	01685	(10000000- 20000000)	Washer, Flat, 0.38b 0.88d .08, Ss	2
23	32662	(10000000- 20000000)	Washer, Flat, 0.38b 1.22d .06, Ss	2
24	1230754	(10000000- 20000000)	Spring, Cmpr, 0.85od .09wir 1.86l	2
25	1219491	(10000000- 20000000)	Sleeve, 0.40id .50d 4.25l, Ss	2
26	1230622	(10000000- 20000000)	Brkt, Spring, Suspension, Head	1
27	140626	(10000000- 20000000)	Pin, Cotter, Hair, 0.25d .125 Wir	3
28	11211	(10000000- 20000000)	Pin, Clevis, 0.50d X 2.25l	1
29	32486	(10000000- 20000000)	Washer, Flat, 0.53b 1.06d .10, Stl, PI	2
30	1224334	(10000000- 20000000)	Sleeve, P/M, 0.51b 0.63d 1.5l, PI	2
31	1230753	(10000000- 20000000)	Spring, Cmpr, 0.97od .11wir 3.1l	2
32	387431	(10000000- 20000000)	Screw, Hex, M8 X 1.25 X 130, Ss	2
33	9016971	(10000000- 20000000)	Actuator, Replmt, 36vdc, 04.4strk (T600e Models)	1
33	9016969	(10000000- 20000000)	Actuator, Replmt, 36vdc, 7.00strk (T600 Models)	1
34	29558	(10000000- 20000000)	Pin, Clevis, 0.37d X 1.50l	1
35	1230044	(10000000- 20000000)	Sleeve, 0.50b 0.75d 0.59l	2
36	1229682	(10000000- 20000000)	Bracket, Mount, Tilt, Actuator [T600]	1
37	374225	(10000000- 20000000)	Pin, Clevis, 0.50d X 3.75l	1
38	07786	(10000000- 20000000)	Nut, Hex, Std, M8 X 1.25, Ss	2
39	578717	(10000000- 20000000)	Screw, Hex, M8 X 1.25 X 50, FI, Ss	2
40	1234936	(10000000- 20000000)	Bracket, Frame, Cyl, Stop	1
41	1016331	(10000000- 20000000)	Washer, Flat, 0.34b 1.25d .11, Ss	1
42	1229680	(10000000- 20000000)	Bracket Wldt, Mount, Actuator [T600]	1

HEAD LIFT GROUP, ORBITAL

355641

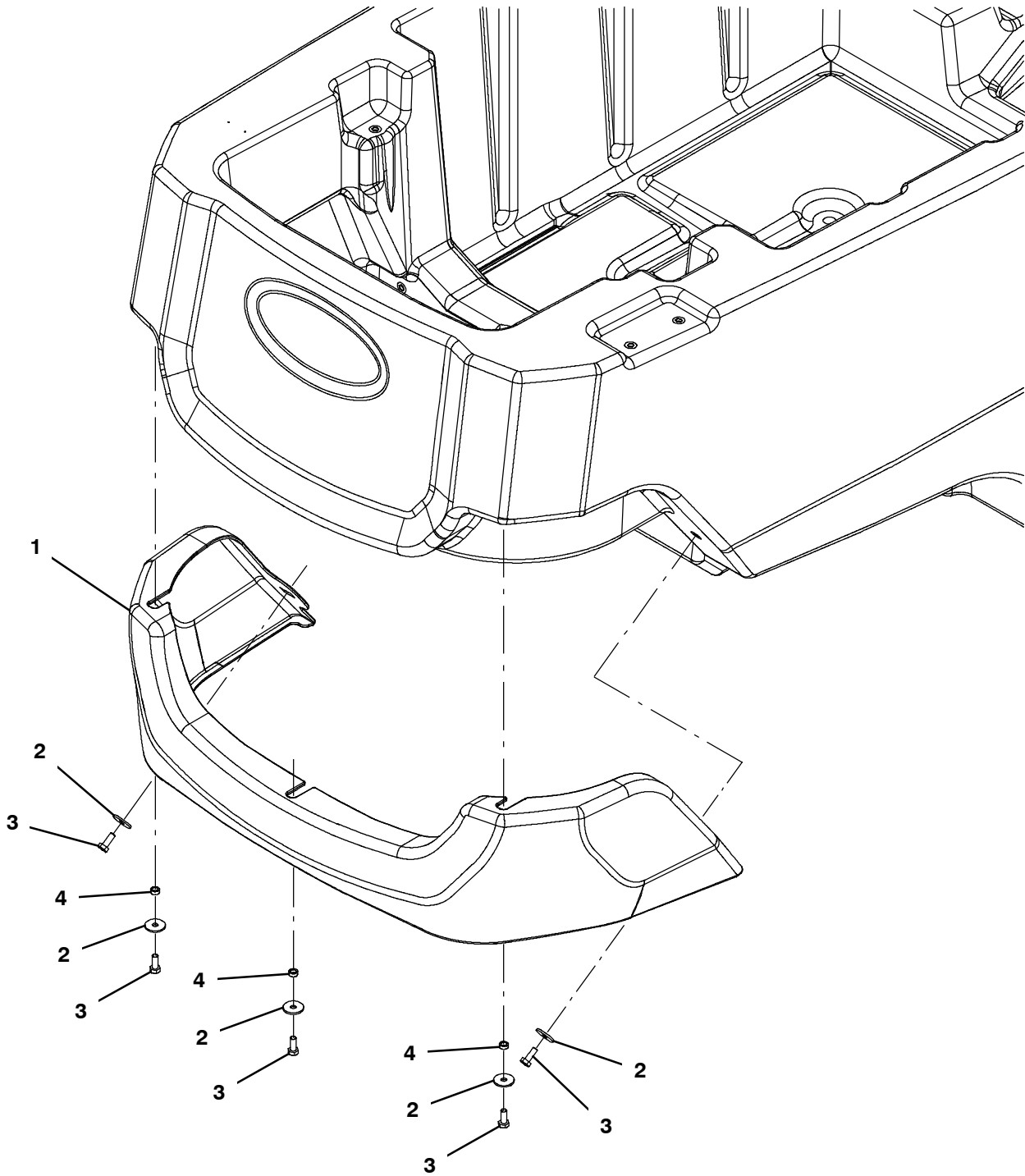


HEAD LIFT GROUP, ORBITAL

Ref.	Part No.	Serial Number	Description	Qty.
1	1020341	(10000000- 20000000)	Screw, Hex, M8 X 1.25 X 20, Ss, Sems	5
2	578717	(10000000- 20000000)	Screw, Hex, M8 X 1.25 X 50, Fl, Ss	2
3	07786	(10000000- 20000000)	Nut, Hex, Std, M8 X 1.25, Ss	2
4	374225	(10000000- 20000000)	Pin, Clevis, 0.50d X 3.75l	1
5	140626	(10000000- 20000000)	Pin, Cotter, Hair, 0.25d .125 Wir	3
6	1230044	(10000000- 20000000)	Sleeve, 0.50b 0.75d 0.59l	2
7	1229682	(10000000- 20000000)	Bracket, Mount, Tilt, Actuator [T600]	1
8	9016969	(10000000- 20000000)	Actuator, Replmt, 36vdc, 7.00strk	1
9	29558	(10000000- 20000000)	Pin, Clevis, 0.37d X 1.50l	1
10	1226754	(10000000- 20000000)	Pin, Clevis, .50d X 7.00l	1
11	1226759	(10000000- 20000000)	Spacer, .500 ld X .875 Od	1
12	1224233	(10000000- 20000000)	Pin, Guide, Spring, Head	2
13	1013936	(10000000- 20000000)	Washer, Flat, 0.51b 0.94d .10, Nyl	1
14	1226640	(10000000- 20000000)	Spring, Wave, .512 ld X .709 Od X .375	1
15	32486	(10000000- 20000000)	Washer, Flat, 0.53b 1.06d .10, Stl, Pl	1
16	1225960	(10000000- 20000000)	Washer, Thrust, 0.89b 1.50d 0.13w, Bnz	2
17	1227036	(10000000- 20000000)	Spring, Cmpr, 1.10od .085wir 03.0l	2
18	1059990	(10000000- 20000000)	Sleeve, Flng, 0.32b 1.00/0.50d 0.6l, Ss	3
19	608562	(10000000- 20000000)	Washer, Flat, 0.51b 0.94d .06, Nyl	7
20	630188	(10000000- 20000000)	Bearing, Journal, .50id X .25l	4
21	01685	(10000000- 20000000)	Washer, Flat, 0.38b 0.88d .08, Ss	4
22	74440	(10000000- 20000000)	Screw, Hex, M8 X 1.25 X 40, NI, Ss	2
23	08712	(10000000- 20000000)	Nut, Hex, Lock, M6 X 1.00, NI, Ss	2
24	01684	(10000000- 20000000)	Washer, Flat, 0.27b 0.69d .05, Ss	2
25	1016399	(10000000- 20000000)	Screw, Hex, M8 X 1.25 X 30, NI, Ss	2
26	1061741	(10000000- 20000000)	Isolator, Neoprene, 1.25" X 1.25", M8	2
27	1224295	(10000000- 20000000)	Brkt Wldt, Lift	1
28	33933	(10000000- 20000000)	Screw, Pan, Phl, M3 X 0.50 X 25, Ss	4
29	1215716	(10000000- 20000000)	Switch, 0.1a, Spdt[Micro, Gold Contacts] (T600e Model)	2
29	1215716	(10000000- 20000000)	Switch, 0.1a, Spdt[Micro, Gold Contacts] (T600 Model)	3
30	1013705	(10000000- 20000000)	Plate, Thread, Switch, M3 Nut, 96hr PI (T600e Model)	2
30	1013705	(10000000- 20000000)	Plate, Thread, Switch, M3 Nut, 96hr PI (T600 Model)	3
31	1229680	(10000000- 20000000)	Bracket Wldt, Mount, Actuator [T600]	1
32	1221043	(10000000- 20000000)	Arm Wldt, Lift	1

SHROUD GROUP, DISK AND ORBITAL

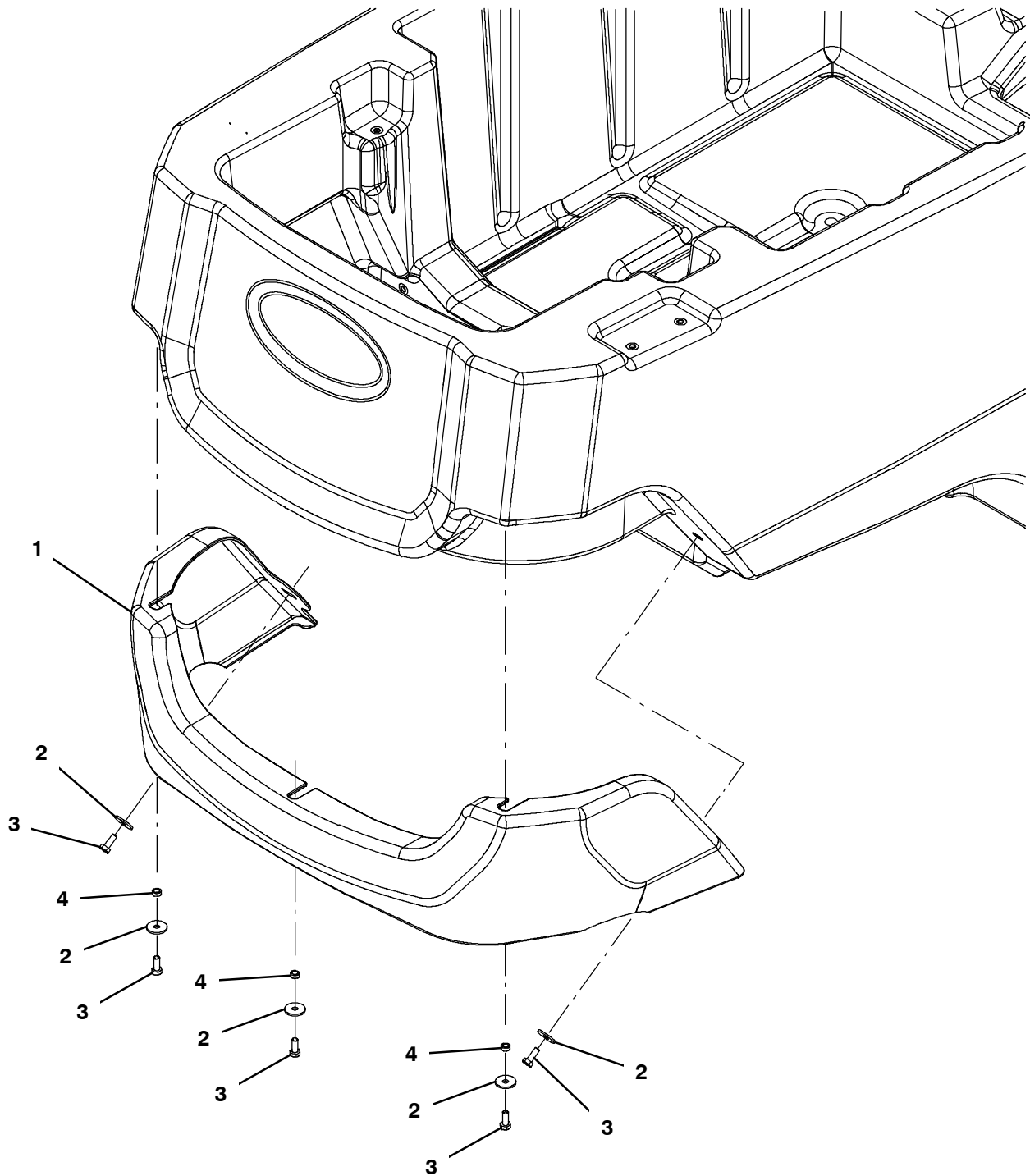
355604



Ref.	Part No.	Serial Number	Description	Qty.
1	1226928	(10000000-20000000)	Cover, Head, Disc [T600]	1
2	19680127	(10000000-20000000)	Washer, Flat, 6.2mm Id X 22.0mm Od X 1.9	5
3	11329	(10000000-20000000)	Screw, Hex, M6 X 1.00 X 16, NI, Ss	5
4	80491	(10000000-20000000)	Sleeve, P/M, 0.25b 0.38d 0.2l [430ss]	3

SHROUD GROUP, CYLINDRICAL

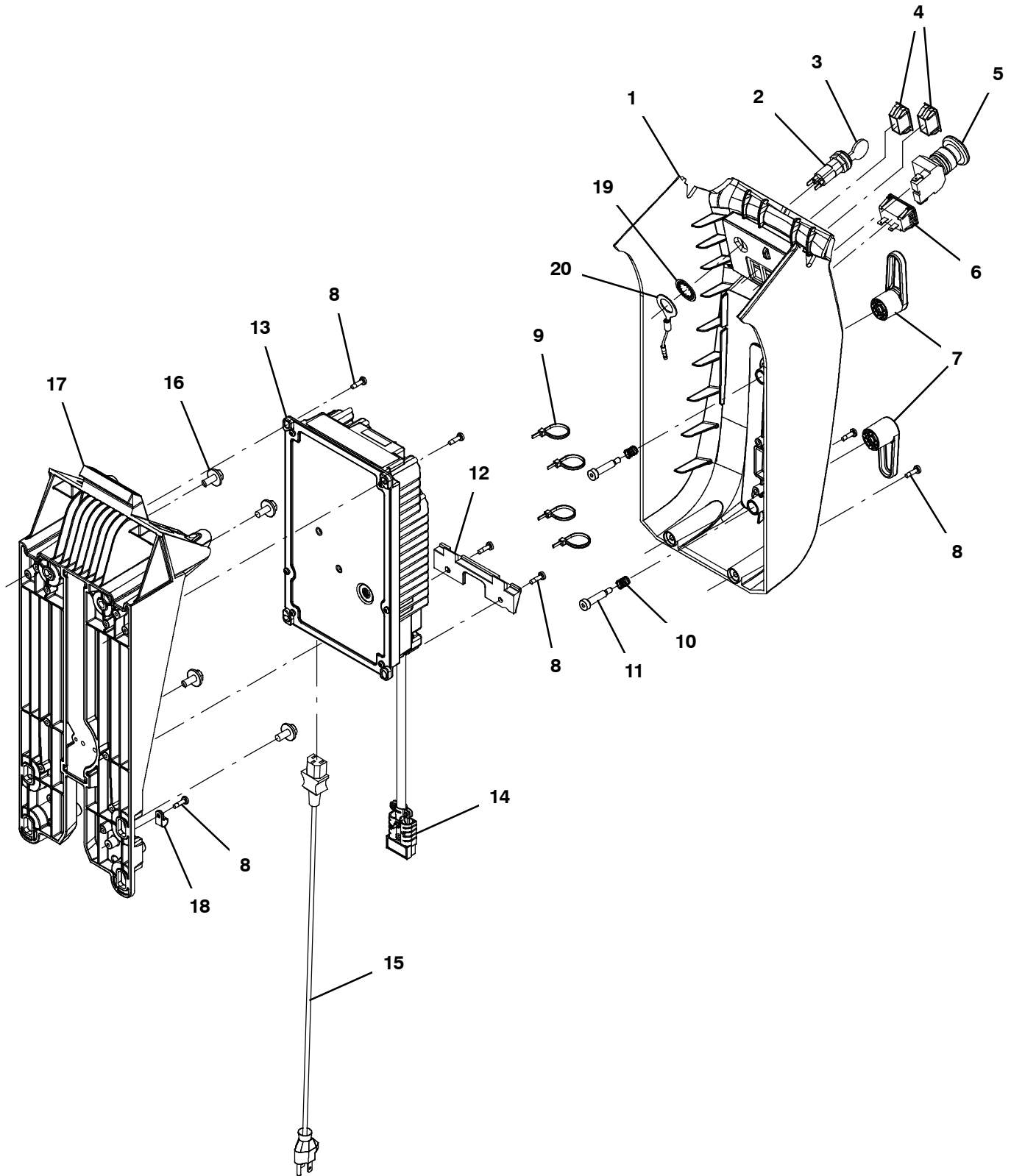
355605



Ref.	Part No.	Serial Number	Description	Qty.
1	1230034	(10000000- 20000000)	Cover, Head, Cylrcl [T600]	1
2	19680127	(10000000- 20000000)	Washer, Flat, 6.2mm Id X 22.0mm Od X 1.9	5
3	11329	(10000000- 20000000)	Screw, Hex, M6 X 1.00 X 16, NI, Ss	5
4	80491	(10000000- 20000000)	Sleeve, P/M, 0.25b 0.38d 0.2l [430ss]	3

LOWER CONSOLE GROUP, ON-BOARD CHARGER

355608



LOWER CONSOLE GROUP, ON-BOARD CHARGER

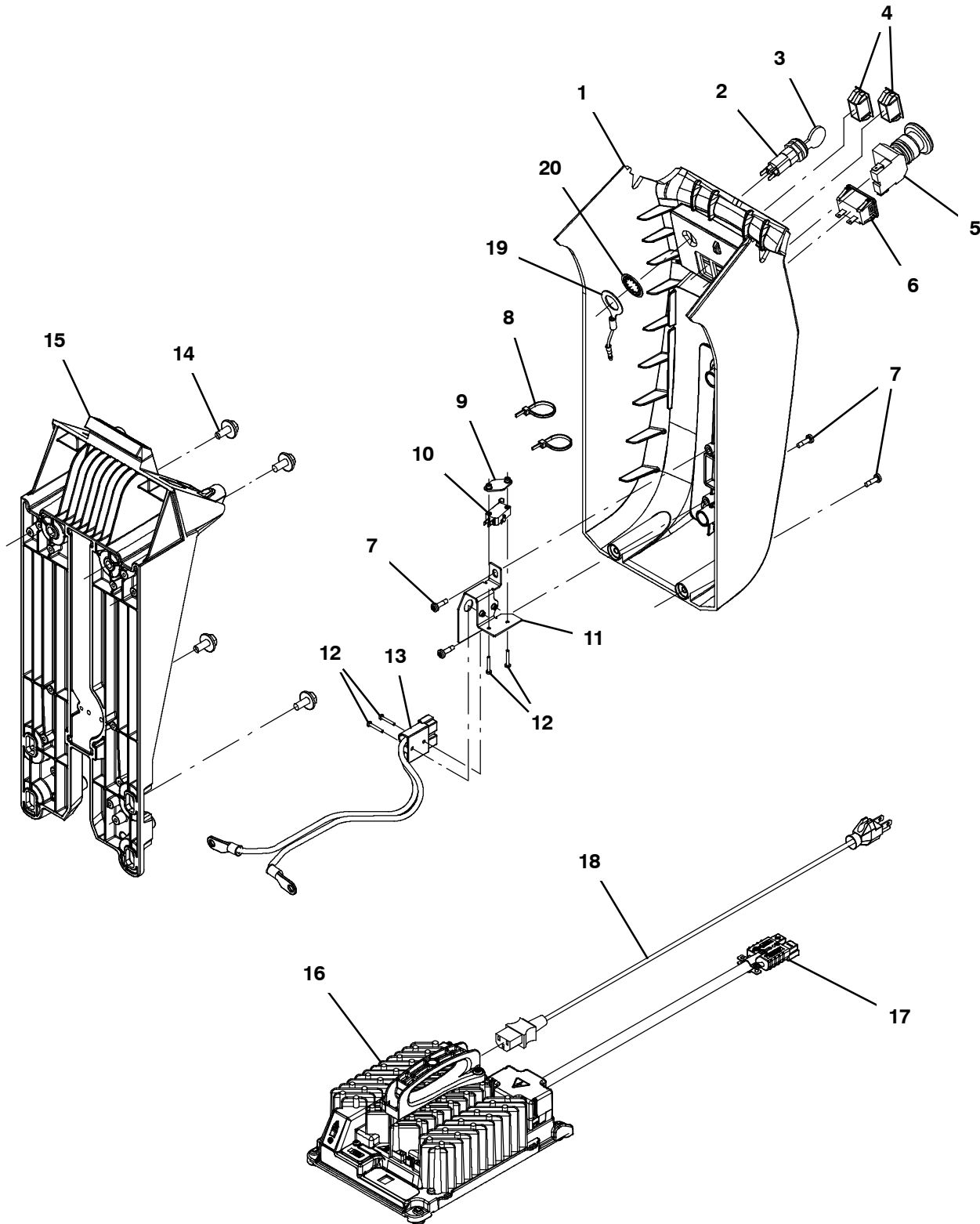
Ref.	Part No.	Serial Number	Description	Qty.
	1	9016861	(10000000-20000000) Cover, Console, Afmkt [T600, Na] (With Label)	1
▽	2	1011402	(10000000-20000000) Switch, Key	1
▲	3	1017696	(10000000-20000000) Key Set, Replmt [F/ Keyswitch 1011402]	1
	4	582150	(10000000-20000000) Plug, Hole, Rt, 1.23 X 1.12, Nyl	2
	5	1011735	(10000000-20000000) Switch, Safety, Shutoff	1
	6	1064038	(10000000-20000000) Gauge, Hourmeter, 05-277 Volt, Ac / Dc	1
	7	1205496	(10000000-20000000) Hook, Cord	2
	8	1043573	(10000000-20000000) Screw, #10-14 X 0.675, Spl[Shcs,Selftap]	9
	9	130773	(10000000-20000000) Tie, Cable, Nyl, 11.0l, .14w, 3.0 Max. D	4
	10	611311	(10000000-20000000) Spring, Cmpr, 0.40od .05wir 00.5l, Pl,Mw	2
	11	1024965	(10000000-20000000) Bolt, Shld, 08mmd X 030mm, M06 X 1.0	2
	12	1231133	(10000000-20000000) Bracket, Mtg, Chrgr, Plastic	1
▽	13	1229621	(10000000-20000000) Charger, 36vdc 900w 100-240vac [On Brd] (Note: Not For Use With TPPL Battery #1229441)	1
▽	13	1229475	(10000000-20000000) Charger 36vdc 1200w 100-240vac [On Brd]	1
▲	14	130155	(10000000-20000000) Connector, Battery, 6ga 50a, Gray[2cont]	1
	15	1025642	(10000000-20000000) Cord, Power, 16/3, 15ft Blk [Us]	1
	16	1020341	(10000000-20000000) Screw, Hex, M8 X 1.25 X 20, Ss, Sems	4
	17	1231373	(10000000-20000000) Frame, Column, Cntrl [Im], T600	1
	18	26395-2	(10000000-20000000) Clamp, Cable, Stl, 0.38d X 0.38w, 1hole	1
	19	32991	(10000000-20000000) Washer, Lock, Int, 0.75	1
	20	1073037	(10000000-20000000) Harness, Ele [Key Sw.,Static Gnd]	1

▽ ASSEMBLY

▲ INCLUDED IN ASSEMBLY

LOWER CONSOLE GROUP, OFF-BOARD CHARGER

355609



LOWER CONSOLE GROUP, OFF- BOARD CHARGER

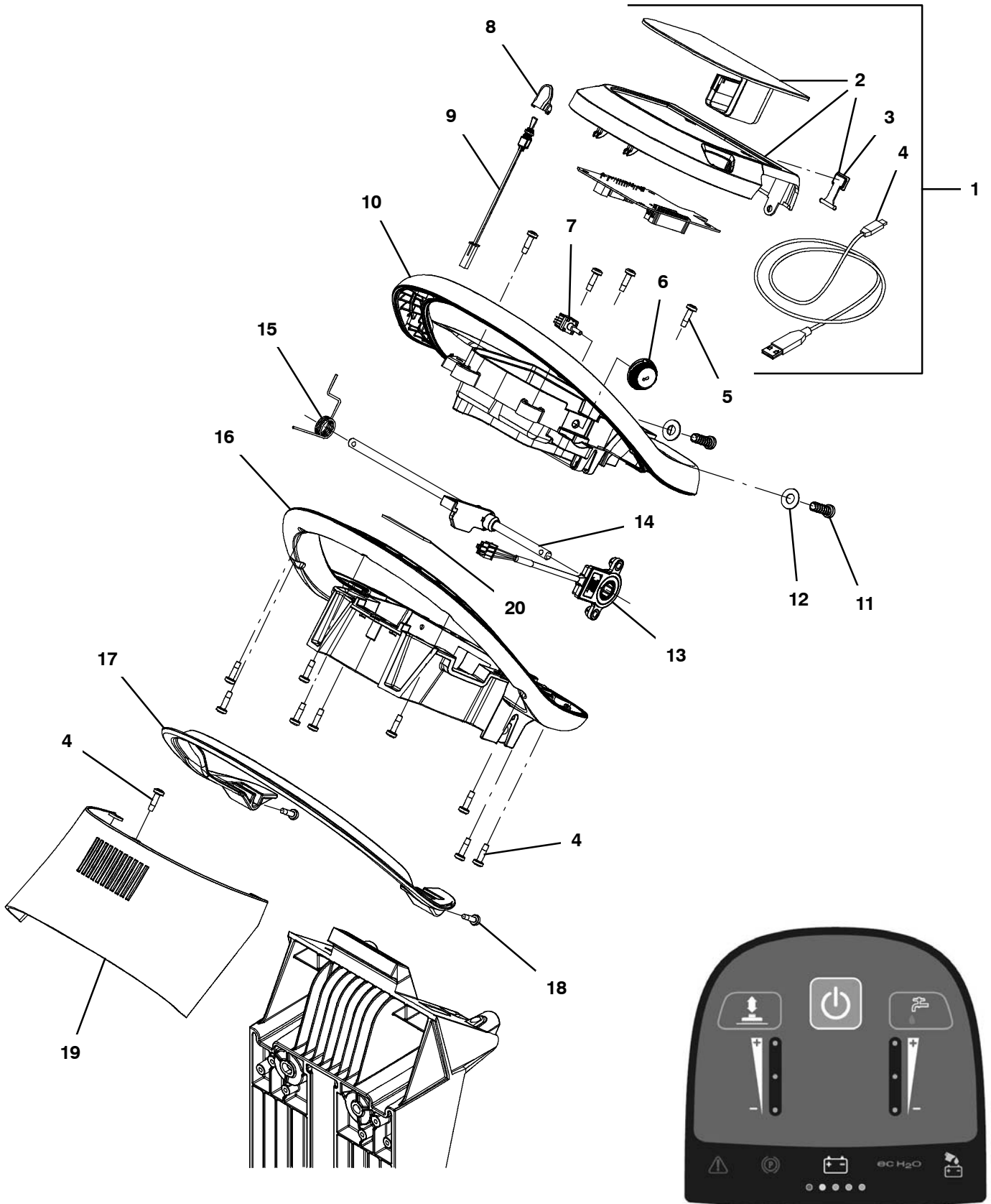
Ref.	Part No.	Serial Number	Description	Qty.
	1	9016861	(10000000- 20000000) Cover, Console, Afmkt [T600, Na] (With Label)	1
▽	2	1011402	(10000000- 20000000) Switch, Key	1
▲	3	1017696	(10000000- 20000000) Key Set, Replmt [F/ Keyswitch 1011402]	1
	4	582150	(10000000- 20000000) Plug, Hole, Rt, 1.23 X 1.12, Nyl	2
	5	1011735	(10000000- 20000000) Switch, Safety, Shutoff	1
	6	1064038	(10000000- 20000000) Gauge, Hourmeter, 05- 277 Volt, Ac / Dc	1
	7	1043573	(10000000- 20000000) Screw, #10- 14 X 0.675, Spl[Shcs,Selftap]	6
	8	130773	(10000000- 20000000) Tie, Cable, Nyl, 11.0l, .14w, 3.0 Max. D	2
	9	1013705	(10000000- 20000000) Plate, Thread, Switch, M3 Nut, 96hr PI	1
	10	1215716	(10000000- 20000000) Switch, 0.1a, Spdt[Micro, Gold Contacts]	1
	11	1208599	(10000000- 20000000) Bracket Assy, Plug, Charger	1
	12	06922	(10000000- 20000000) Screw, Pan, Phl, M3 X 0.50 X 20, 4.8	4
	13	1075458	(10000000- 20000000) Harness, Chrgr, 10ga [M8 Ring/M8 Ring]	1
	14	1020341	(10000000- 20000000) Screw, Hex, M8 X 1.25 X 20, Ss, Sems	4
	15	1231373	(10000000- 20000000) Frame, Column, Cntrl [Im], T600	1
▽	16	9042253	(10000000- 20000000) Charger Assy, Off Board [T600/T600e]	1
▲	17	130155	(10000000- 20000000) Connector, Battery, 6ga 50a, Gray[2cont]	1
	18	1025642	(10000000- 20000000) Cord, Power, 16/3, 15ft Blk [Us]	1
	19	1073037	(10000000- 20000000) Harness, Ele [Key Sw.,Static Gnd]	1
	20	32991	(10000000- 20000000) Washer, Lock, Int, 0.75	1

▽ ASSEMBLY

▲ INCLUDED IN ASSEMBLY

CONSOLE HANDLE, MEMBRANE PANEL (T600e MODEL)

355614



CONSOLE HANDLE, MEMBRANE PANEL (T600e MODEL)

Ref.	Part No.	Serial Number	Description	Qty.
▽	1	9015780*	(10000000- 20000000) Bezel Kit, Membrane, Ci [T500e]	1
▲▽	2	9015781	(10000000- 20000000) Screen Kit, Membrane, Ci [T500e]	1
▲▲	3	1205618	(10000000- 20000000) Cap, Usb	1
▲	4	1071235	(10000000- 20000000) Cable [Usb, 2m, A- Male To Mini- B- Male]	1
	5	1043573	(10000000- 20000000) Screw, #10- 14 X 0.675, Spl[Shcs,Selftap]	15
	6	1234365	(10000000- 20000000) Dial, Range, Speed	1
	7	1204930	(10000000- 20000000) Potentiometer [100k, 1 Turn, B5/B7]	1
	8	1209730	(10000000- 20000000) Cap, Toggle, Direction	1
	9	1209673	(10000000- 20000000) Switch Assy, Toggle, Direction	1
	10	1203787	(10000000- 20000000) Housing, Handle, Cntrl, Top	2
	11	1215863	(10000000- 20000000) Screw, Pan, Torx, M8 X 3.5 X 25[Remform]	2
	12	140027	(10000000- 20000000) Washer, Flat, 0.35b 0.75d .04, Ss	3
	13	1205127	(10000000- 20000000) Sensor, Rotary [B5/B7, Bail Sensor]	1
	14	1205143	(10000000- 20000000) Shaft Assy, Bail, Handle	1
	15	1205781	(10000000- 20000000) Spring, Return, Bail	1
	16	1222608	(10000000- 20000000) Housing, Handle, Cntrl, Bottom, Slotted	1
	17	1205778	(10000000- 20000000) Handle, Bail [Machined]	1
	18	1205799	(10000000- 20000000) Screw, Btn, M5 X 0.8 X 16, 8.8, NI, Torx	2
	19	1207004	(10000000- 20000000) Cover, Handle, Cntrl	1
	20	1020280	(10000000- 20000000) Seal, Afmkt, Rbr, Clsd, Adh, 01ft	1

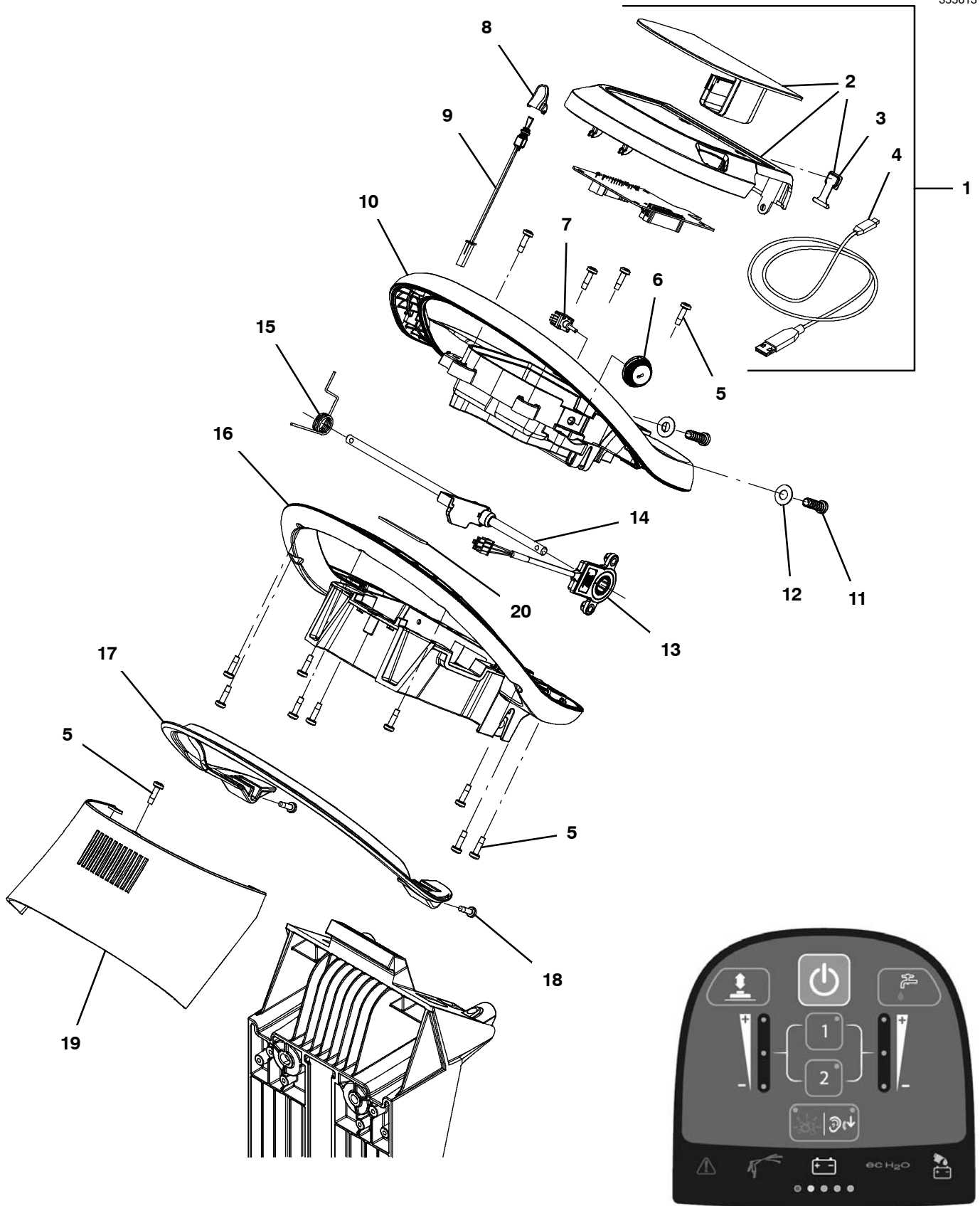
* Requires Tennant *True* service or an authorized Tennant service provider.

▽ ASSEMBLY

▲ INCLUDED IN ASSEMBLY

CONSOLE HANDLE, PRO-MEMBRANE PANEL (T600 MODEL)

355613



CONSOLE HANDLE, PRO- MEMBRANE PANEL (T600 MODEL)

Ref.	Part No.	Serial Number	Description	Qty.
▽	1	9015778*	(10000000- 20000000) Bezel Kit, Membrane, Ci [T500]	1
▲▽	2	9015779	(10000000- 20000000) Screen Kit, Membrane, Ci [T500]	1
▲▲	3	1205618	(10000000- 20000000) Cap, Usb	1
▲	4	1071235	(10000000- 20000000) Cable [Usb, 2m, A- Male To Mini- B- Male]	1
	5	1043573	(10000000- 20000000) Screw, #10- 14 X 0.675, Spl[Shcs,Selftap]	15
	6	1234365	(10000000- 20000000) Dial, Range, Speed	1
	7	1204930	(10000000- 20000000) Potentiometer [100k, 1 Turn, B5/B7]	1
	8	1209730	(10000000- 20000000) Cap, Toggle, Direction	1
	9	1209673	(10000000- 20000000) Switch Assy, Toggle, Direction	1
	10	1203787	(10000000- 20000000) Housing, Handle, Cntrl, Top	2
	11	1215863	(10000000- 20000000) Screw, Pan, Torx, M8 X 3.5 X 25[Remform]	2
	12	140027	(10000000- 20000000) Washer, Flat, 0.35b 0.75d .04, Ss	3
	13	1205127	(10000000- 20000000) Sensor, Rotary [B5/B7, Bail Sensor]	1
	14	1205143	(10000000- 20000000) Shaft Assy, Bail, Handle	1
	15	1205781	(10000000- 20000000) Spring, Return, Bail	1
	16	1222608	(10000000- 20000000) Housing, Handle, Cntrl, Bottom, Slotted	1
	17	1205778	(10000000- 20000000) Handle, Bail [Machined]	1
	18	1205799	(10000000- 20000000) Screw, Btn, M5 X 0.8 X 16, 8.8, NI, Torx	2
	19	1207004	(10000000- 20000000) Cover, Handle, Cntrl	1
	20	1020280	(10000000- 20000000) Seal, Afmkt, Rbr, Clsd, Adh, 01ft	1

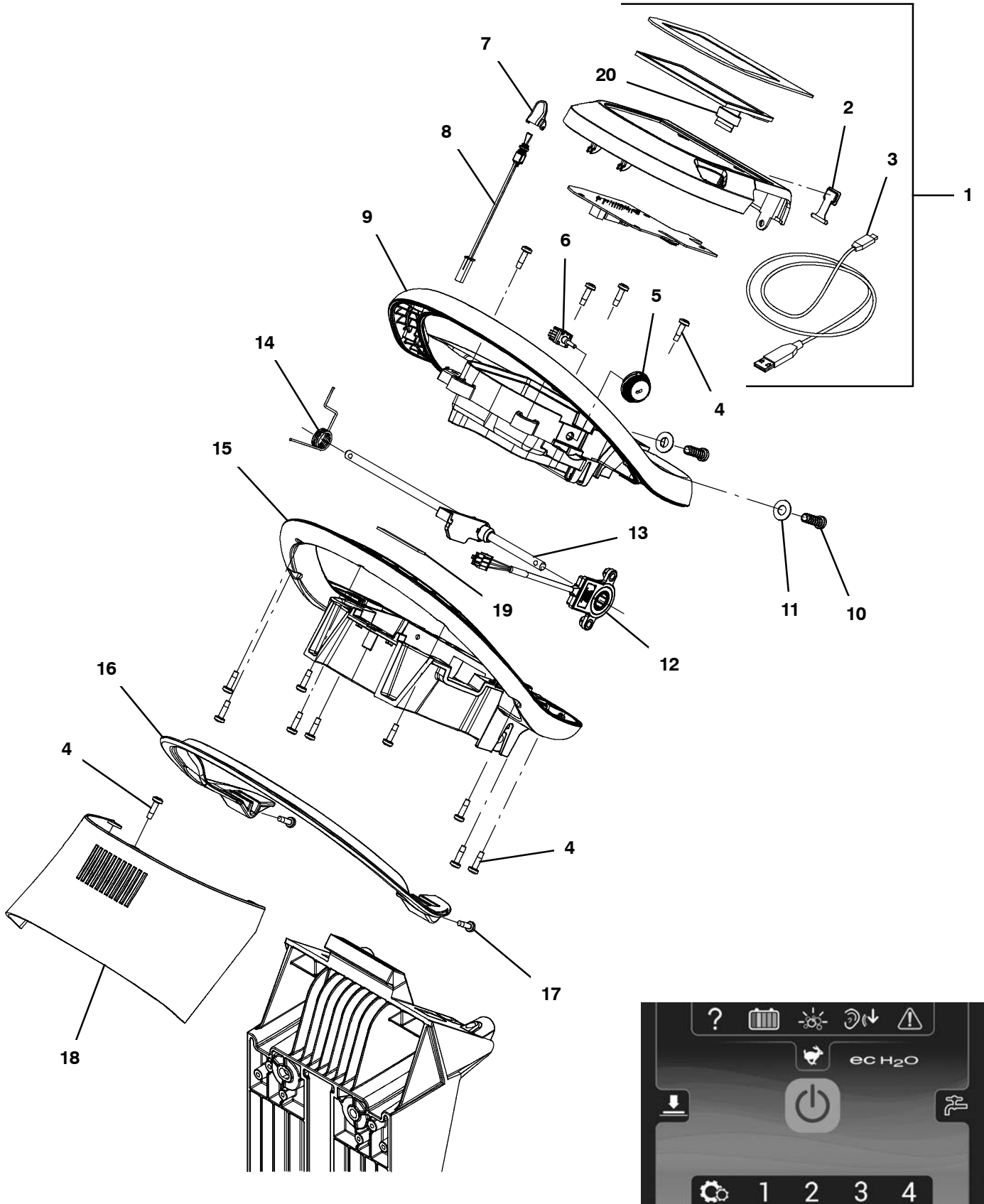
* Requires Tennant *True* service or an authorized Tennant service provider.

▽ ASSEMBLY

▲ INCLUDED IN ASSEMBLY

CONSOLE HANDLE, PRO-PANEL LCD (T600 MODEL)

355612



CONSOLE HANDLE, PRO- PANEL LCD (T600 MODEL)

Ref.	Part No.	Serial Number	Description	Qty.
▽	1	9014135*	(10000000- 20000000) Bezel Kit, Propel, Lcd Pro- Panl,Ci (Also Requires Ferrite)	1
▲	2	1205618	(10000000- 20000000) Cap, Usb	1
▲	3	1071235	(10000000- 20000000) Cable [Usb, 2m, A- Male To Mini- B- Male]	1
	4	1043573	(10000000- 20000000) Screw, #10- 14 X 0.675, Spl[Shcs,Selftap]	15
	5	1234365	(10000000- 20000000) Dial, Range, Speed	1
	6	1204930	(10000000- 20000000) Potentiometer [100k, 1 Turn, B5/B7]	1
	7	1209730	(10000000- 20000000) Cap, Toggle, Direction	1
	8	1209673	(10000000- 20000000) Switch Assy, Toggle, Direction	1
	9	1203787	(10000000- 20000000) Housing, Handle, Cntrl, Top	2
	10	1215863	(10000000- 20000000) Screw, Pan, Torx, M8 X 3.5 X 25[Remform]	2
	11	140027	(10000000- 20000000) Washer, Flat, 0.35b 0.75d .04, Ss	2
	12	1205127	(10000000- 20000000) Sensor, Rotary [B5/B7, Bail Sensor]	2
	13	1205143	(10000000- 20000000) Shaft Assy, Bail, Handle	1
	14	1205781	(10000000- 20000000) Spring, Return, Bail	1
	15	1222608	(10000000- 20000000) Housing, Handle, Cntrl, Bottom, Slotted	1
	16	1205778	(10000000- 20000000) Handle, Bail [Machined]	1
	17	1205799	(10000000- 20000000) Screw, Btn, M5 X 0.8 X 16, 8.8, NI, Torx	2
	18	1207004	(10000000- 20000000) Cover, Handle, Cntrl	1
	19	1020280	(10000000- 20000000) Seal, Afmkt, Rbr, Clsd, Adh, 01ft	1
	20	1233769	(10000000- 20000000) Inductor, Ribbon Cable	1

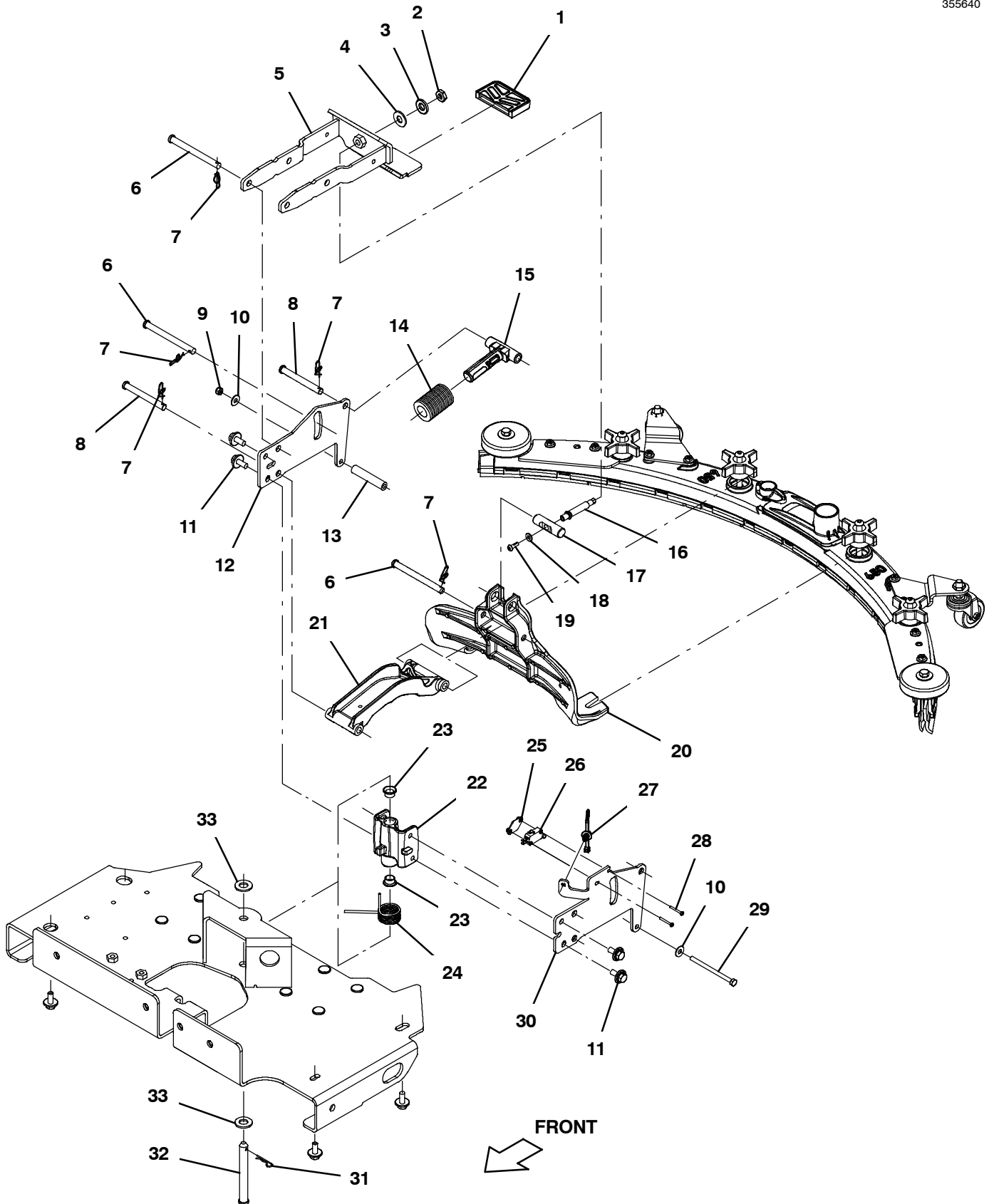
* Requires Tennant *True* service or an authorized Tennant service provider.

▽ ASSEMBLY

▲ INCLUDED IN ASSEMBLY

SQUEEGEE LIFT GROUP

355640



SQUEEGEE LIFT GROUP

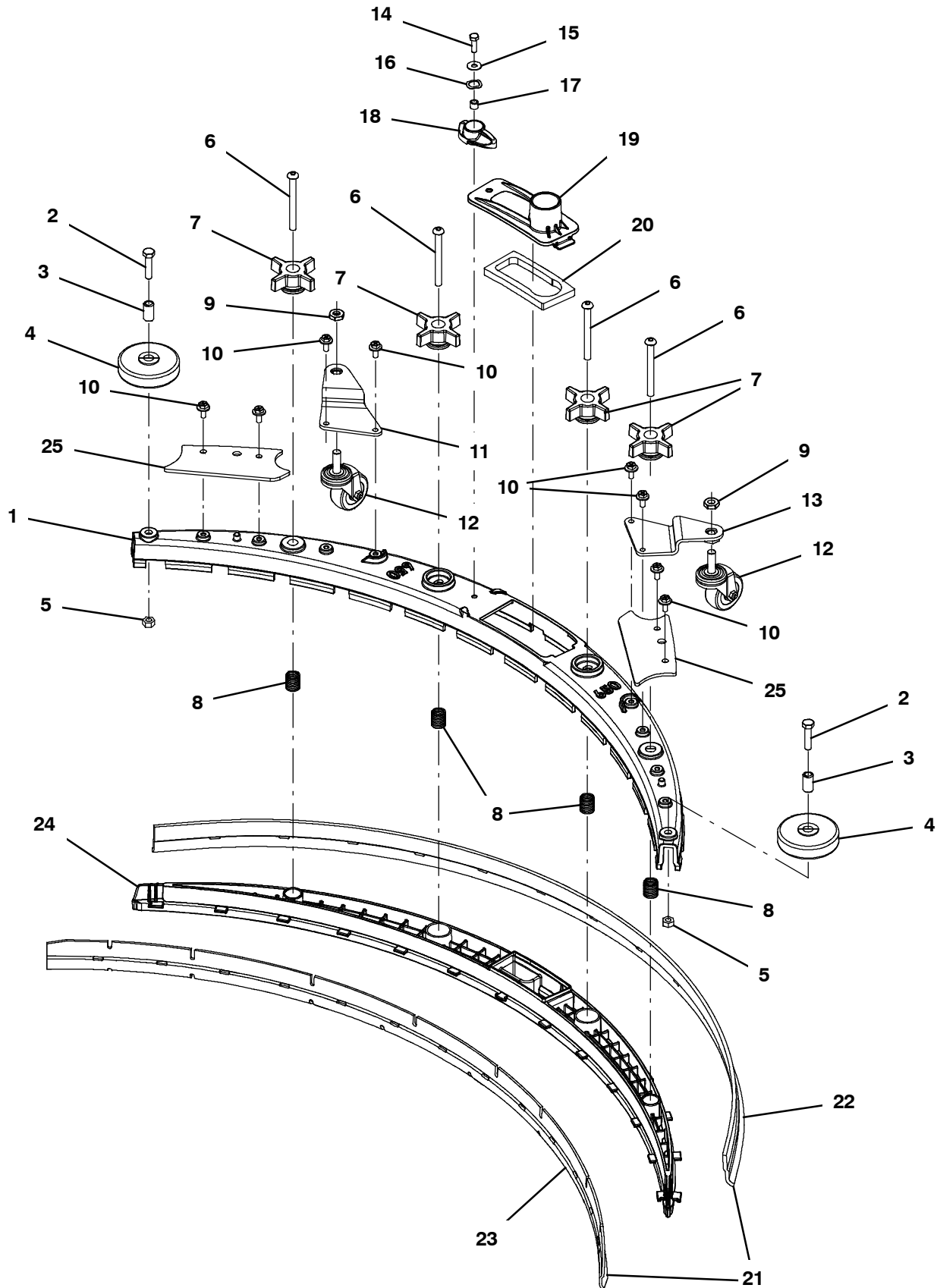
Ref.	Part No.	Serial Number	Description	Qty.	
1	1230670	(10000000- 20000000)	Cover, Pedal, Lift	1	
2	32716	(10000000- 20000000)	Nut, Hex, Jam, M10 X 1.5, Ss	1	
3	41187	(10000000- 20000000)	Washer, Flat, Belleville, .38	1	
4	01686	(10000000- 20000000)	Washer, Flat, 0.44b 1.00d .08, Ss	1	
5	9016840	(10000000- 20000000)	Arm, Lift, Sqge, Afmkt [T600,T600e] (With Label)	1	
6	49914	(10000000- 20000000)	Pin, Clevis, 0.37d X 4.00l	2	
7	1216647	(10000000- 20000000)	Pin, Cotter, Hair, 0.38d .054 Wir	4	
8	57598	(10000000- 20000000)	Pin, Clevis, 0.37d X 3.25l	2	
9	08712	(10000000- 20000000)	Nut, Hex, Lock, M6 X 1.00, NI, Ss	1	
10	01684	(10000000- 20000000)	Washer, Flat, 0.27b 0.69d .05, Ss	2	
11	1020341	(10000000- 20000000)	Screw, Hex, M8 X 1.25 X 20, Ss, Sems	4	
12	1231347	(10000000- 20000000)	Plate, Lift, Sqge, Rh	1	
13	1231343	(10000000- 20000000)	Tube, 0.26id 0.50od 02.6l, Stl, PI	1	
14	1228773	(10000000- 20000000)	Spring, Cmpr, 1.402od, .812id, 2.0l	1	
15	1235860	(10000000- 20000000)	Guide, Spring	1	
16	1230714	(10000000- 20000000)	Shaft, Adjmt	1	
17	1230625	(10000000- 20000000)	Pin, 0.63d 02.2l, 1/.34h, 2cham	1	
18	01683	(10000000- 20000000)	Washer, Flat, 10, Ss	1	
19	1205799	(10000000- 20000000)	Screw, Btn, M5 X 0.8 X 16, 8.8, NI, Torx	1	
20	1231340	(10000000- 20000000)	Mount, Sqge	1	
21	1233229	(10000000- 20000000)	Arm, Lower [Machined]	1	
▽	22	9016973	(10000000- 20000000)	Pivot Assy, Replmt, Sqge	1
▲	23	15648	(10000000- 20000000)	Bushing, Flng, 0.50b 0.59d 0.38l	2
	24	1231436	(10000000- 20000000)	Spring, Tors, 1.10id .13wir 05.5coil	1
	25	1013705	(10000000- 20000000)	Plate, Thread, Switch, M3 Nut, 96hr PI	1
	26	1215716	(10000000- 20000000)	Switch, 0.1a, Spdt[Micro, Gold Contacts]	1
	27	1210807	(10000000- 20000000)	Wire, Tie [W/.25" Fir Tree Clip]	1
	28	33933	(10000000- 20000000)	Screw, Pan, Phl, M3 X 0.50 X 25, Ss	2
	29	06952	(10000000- 20000000)	Screw, Hex, M6 X 1.00 X 90, 8.8	1
	30	1231335	(10000000- 20000000)	Plate, Lift, Sqge, Lh	1
	31	86866	(10000000- 20000000)	Pin, Cotter, Hair, 0.38d .072 Wir	1
	32	1233450	(10000000- 20000000)	Pin, Clevis, 0.50d X 4.30l	1
	33	32486	(10000000- 20000000)	Washer, Flat, 0.53b 1.06d .10, Stl, PI	2

▽ ASSEMBLY

▲ INCLUDED IN ASSEMBLY

SQUEEGEE ASSEMBLY, 650MM / 26IN (Intended for 700MM Scrub Head Size)

355438



SQUEEGEE ASSEMBLY, 650MM / 26IN (Intended for 700MM Scrub Head Size)

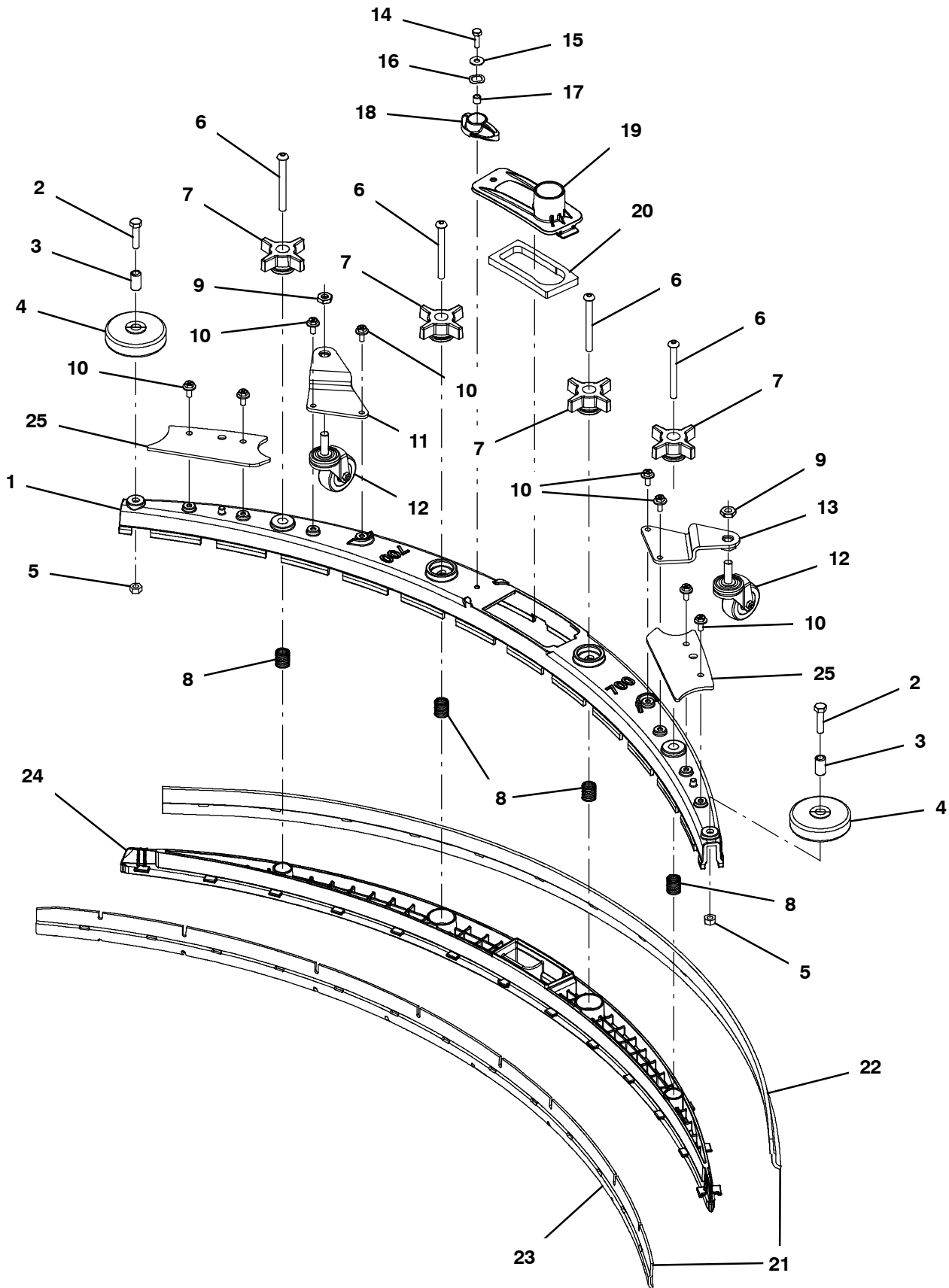
Ref.	Part No.	Serial Number	Description	Qty.
▽	9015301	(10000000- 20000000)	Squeegee Kit, 650mm, Ci	1
▲	1 1221259	(10000000- 20000000)	Frame, Sqge, 65cm, Mach [T500]	1
▲	2 59658	(10000000- 20000000)	Screw, Hex, M8 X 1.25 X 35, NI, Ss	2
▲	3 222496	(10000000- 20000000)	Sleeve, P/M, 0.32b 0.50d 0.9l [430ss]	2
▲	4 222066	(10000000- 20000000)	Wheel, 03.0d 0.88w 0.50b	2
▲	5 07786	(10000000- 20000000)	Nut, Hex, Std, M8 X 1.25, Ss	2
▲	6 1212755	(10000000- 20000000)	Screw, Btn, M8 X 1.25 X 80, Ss	4
▲	7 1074204	(10000000- 20000000)	Knob,Star,2.75d 4ear 1.1l M8x1.25,Thru,Y	4
▲	8 22290	(10000000- 20000000)	Spring, Cmpr, 0.72od .06wir 02.3l	4
▲	9 32716	(10000000- 20000000)	Nut, Hex, Jam, M10 X 1.5, Ss	2
▲	10 1034731	(10000000- 20000000)	Screw, Hex, M6 X 1.00 X 16, Sems, Ss	8
▲	11 1222236	(10000000- 20000000)	Bracket Wldt, Caster, Rh Sqge[T500]	1
▲	12 1006343	(10000000- 20000000)	Caster, Swivel, 50mmd, M10 X 30, Clr PI	2
▲	13 1222001	(10000000- 20000000)	Bracket Wldt, Caster, Lh Sqge [T500]	1
▲	14 12277	(10000000- 20000000)	Screw, Hex, M6 X 1.00 X 20, NI, Ss	1
▲	15 01684	(10000000- 20000000)	Washer, Flat, 0.27b 0.69d .05, Ss	1
▲	16 140060	(10000000- 20000000)	Washer, Wave- Spring, .505 .750 .045	1
▲	17 140154	(10000000- 20000000)	Sleeve, P/M, 0.25b 0.38d 0.3l, PI	1
▲	18 1222109	(10000000- 20000000)	Knob, Sqge, 58l, M6 X 1.00, Plstc	1
▲	19 1209631	(10000000- 20000000)	Cover, Trap, Water, Sqge	1
▲	20 1210756	(10000000- 20000000)	Gasket, Trap, Water, Sqge	1
▲▽	21 9015734	(10000000- 20000000)	Blade Kit, 650mm, Linatex/Linard (Standard)	1
▲▲	22 1221585	(10000000- 20000000)	Blade, Sqge, Rear, 1166l, Linatex[650mm] (Standard)	1
▲▲	23 1232680	(10000000- 20000000)	Blade, Sqge, Front, 1072l Linard[650mm] (Standard)	1
▲	24 1221260	(10000000- 20000000)	Retainer, Sqge, 65cm [T500]	1
▲	25 1230738	(10000000- 20000000)	Bracket, Sqge Bumper	2
▽	21 9015735	(10000000- 20000000)	Blade Kit, 650mm, Urethane (Option)	1
▲	22 1228909	(10000000- 20000000)	Blade, Sqge, Rear, 1136l,Urethane[650mm] (Option)	1
▲	23 1228915	(10000000- 20000000)	Blade, Sqge, Front,1072l,Urethane[650mm] (Option)	1
▽	21 9015733	(10000000- 20000000)	Blade Kit, 650mm, Gum (Option)	1
▲	22 1228910	(10000000- 20000000)	Blade, Sqge, Rear, 1136l, Gum[650mm] (Option)	1
▲	23 1228919	(10000000- 20000000)	Blade, Sqge, Front, 1072l Gum[650mm] (Option)	1

▽ ASSEMBLY

▲ INCLUDED IN ASSEMBLY

SQUEEGEE ASSEMBLY, 700MM / 28IN (Intended for 800MM Scrub Head Size)

355439



SQUEEGEE ASSEMBLY, 700MM / 28IN (Intended for 800MM Scrub Head Size)

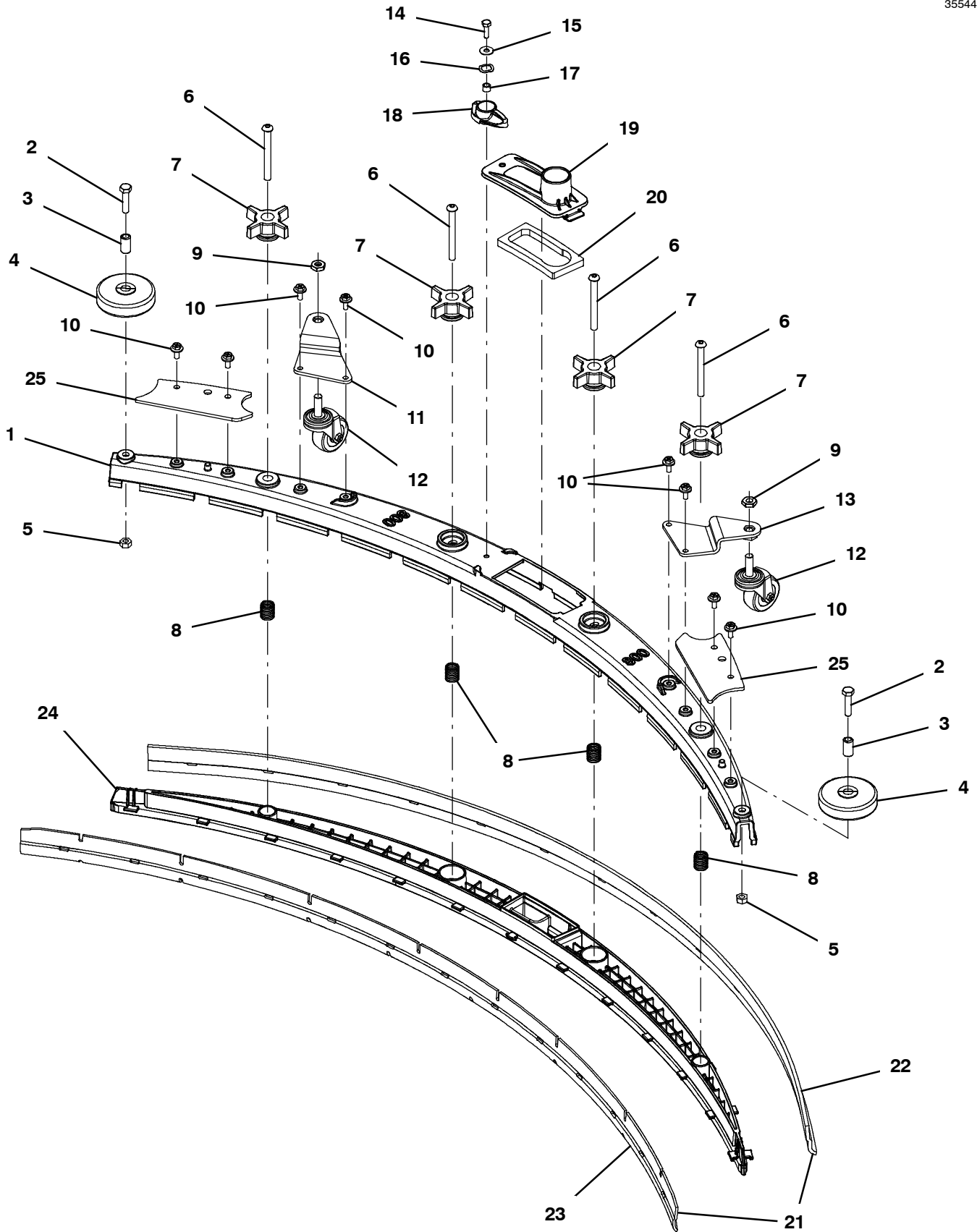
Ref.	Part No.	Serial Number	Description	Qty.
▽	9015302	(10000000- 20000000)	Squeegee Kit, 700mm, Ci	1
▲	1 1220309	(10000000- 20000000)	Frame, Sqge, 70cm, Mach [T500]	1
▲	2 59658	(10000000- 20000000)	Screw, Hex, M8 X 1.25 X 35, NI, Ss	2
▲	3 222496	(10000000- 20000000)	Sleeve, P/M, 0.32b 0.50d 0.9l [430ss]	2
▲	4 222066	(10000000- 20000000)	Wheel, 03.0d 0.88w 0.50b	2
▲	5 07786	(10000000- 20000000)	Nut, Hex, Std, M8 X 1.25, Ss	2
▲	6 1212755	(10000000- 20000000)	Screw, Btn, M8 X 1.25 X 80, Ss	4
▲	7 1074204	(10000000- 20000000)	Knob,Star,2.75d 4ear 1.1l M8x1.25,Thru,Y	4
▲	8 22290	(10000000- 20000000)	Spring, Cmpr, 0.72od .06wir 02.3l	4
▲	9 32716	(10000000- 20000000)	Nut, Hex, Jam, M10 X 1.5, Ss	2
▲	10 1034731	(10000000- 20000000)	Screw, Hex, M6 X 1.00 X 16, Sems, Ss	8
▲	11 1222236	(10000000- 20000000)	Bracket Wldt, Caster, Rh Sqge[T500]	1
▲	12 1006343	(10000000- 20000000)	Caster, Swivel, 50mmd, M10 X 30, Clr PI	2
▲	13 1222001	(10000000- 20000000)	Bracket Wldt, Caster, Lh Sqge [T500]	1
▲	14 12277	(10000000- 20000000)	Screw, Hex, M6 X 1.00 X 20, NI, Ss	1
▲	15 01684	(10000000- 20000000)	Washer, Flat, 0.27b 0.69d .05, Ss	1
▲	16 140060	(10000000- 20000000)	Washer, Wave- Spring, .505 .750 .045	1
▲	17 140154	(10000000- 20000000)	Sleeve, P/M, 0.25b 0.38d 0.3l, PI	1
▲	18 1222109	(10000000- 20000000)	Knob, Sqge, 58l, M6 X 1.00, Plstc	1
▲	19 1209631	(10000000- 20000000)	Cover, Trap, Water, Sqge	1
▲	20 1210756	(10000000- 20000000)	Gasket, Trap, Water, Sqge	1
▲▽	21 9015737	(10000000- 20000000)	Blade Kit, 700mm, Linatex/Linard (Standard)	1
▲▲	22 1221572	(10000000- 20000000)	Blade, Sqge, Rear, 1204l, Linatex[700mm] (Standard)	1
▲▲	23 1232679	(10000000- 20000000)	Blade, Sqge, Front, 1148l Linard[700mm] (Standard)	1
▲	24 1220783	(10000000- 20000000)	Retainer, Sqge, 70cm [T500]	1
▲	25 1230738	(10000000- 20000000)	Bracket, Sqge Bumper	2
▽	21 9015738	(10000000- 20000000)	Blade Kit, 700mm, Urethane (Option)	1
▲	22 1228904	(10000000- 20000000)	Blade, Sqge, Rear, 1204l,Urethane[700mm] (Option)	1
▲	23 1228906	(10000000- 20000000)	Blade, Sqge, Front,1148l Urethane[700mm] (Option)	1
▽	21 9015736	(10000000- 20000000)	Blade Kit, 700mm, Gum (Option)	1
▲	22 1228905	(10000000- 20000000)	Blade, Sqge, Rear, 1204l, Gum[700mm] (Option)	1
▲	23 1228907	(10000000- 20000000)	Blade, Sqge, Front, 1148l Gum[700mm] (Option)	1

▽ ASSEMBLY

▲ INCLUDED IN ASSEMBLY

SQUEEGEE ASSEMBLY, 800MM / 32IN (Intended for 900MM Scrub Head Size)

355440



SQUEEGEE ASSEMBLY, 800MM / 32IN (Intended for 900MM Scrub Head Size)

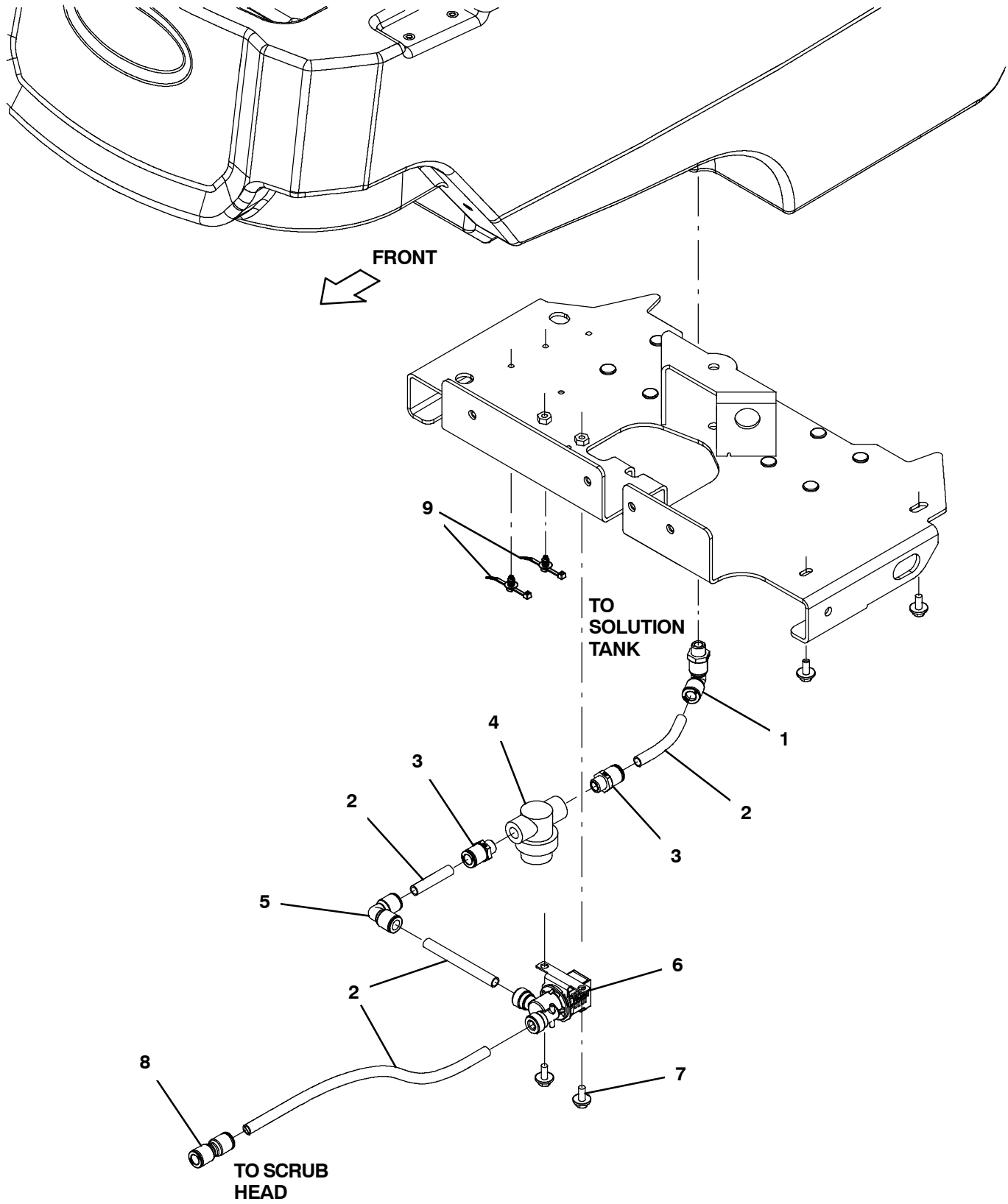
Ref.	Part No.	Serial Number	Description	Qty.
▽	9015303	(10000000- 20000000)	Squeegee Kit, 800mm, Ci	1
▲	1 1219894	(10000000- 20000000)	Frame, Sqge, 80cm, Mach [T500]	1
▲	2 59658	(10000000- 20000000)	Screw, Hex, M8 X 1.25 X 35, NI, Ss	2
▲	3 222496	(10000000- 20000000)	Sleeve, P/M, 0.32b 0.50d 0.9l [430ss]	2
▲	4 222066	(10000000- 20000000)	Wheel, 03.0d 0.88w 0.50b	2
▲	5 07786	(10000000- 20000000)	Nut, Hex, Std, M8 X 1.25, Ss	2
▲	6 1212755	(10000000- 20000000)	Screw, Btn, M8 X 1.25 X 80, Ss	4
▲	7 1074204	(10000000- 20000000)	Knob,Star,2.75d 4ear 1.1l M8x1.25,Thru,Y	4
▲	8 22290	(10000000- 20000000)	Spring, Cmpr, 0.72od .06wir 02.3l	4
▲	9 32716	(10000000- 20000000)	Nut, Hex, Jam, M10 X 1.5, Ss	2
▲	10 1034731	(10000000- 20000000)	Screw, Hex, M6 X 1.00 X 16, Sems, Ss	8
▲	11 1222236	(10000000- 20000000)	Bracket Wldt, Caster, Rh Sqge[T500]	1
▲	12 1006343	(10000000- 20000000)	Caster, Swivel, 50mmd, M10 X 30, Clr PI	2
▲	13 1222001	(10000000- 20000000)	Bracket Wldt, Caster, Lh Sqge [T500]	1
▲	14 12277	(10000000- 20000000)	Screw, Hex, M6 X 1.00 X 20, NI, Ss	1
▲	15 01684	(10000000- 20000000)	Washer, Flat, 0.27b 0.69d .05, Ss	1
▲	16 140060	(10000000- 20000000)	Washer, Wave- Spring, .505 .750 .045	1
▲	17 140154	(10000000- 20000000)	Sleeve, P/M, 0.25b 0.38d 0.3l, PI	1
▲	18 1222109	(10000000- 20000000)	Knob, Sqge, 58l, M6 X 1.00, Plstc	1
▲	19 1209631	(10000000- 20000000)	Cover, Trap, Water, Sqge	1
▲	20 1210756	(10000000- 20000000)	Gasket, Trap, Water, Sqge	1
▲▽	21 9015740	(10000000- 20000000)	Blade Kit, 800mm, Linatex/Linard (Standard)	1
▲▲	22 1221115	(10000000- 20000000)	Blade, Sqge, Rear, 1306l, Linatex[800mm] (Standard)	1
▲▲	23 1232681	(10000000- 20000000)	Blade, Sqge, Front, 1256l Linard[800mm] (Standard)	1
▲	24 1219405	(10000000- 20000000)	Retainer, Sqge, 80cm [T500]	1
▲	25 1230738	(10000000- 20000000)	Bracket, Sqge Bumper	2
▽	21 9015741	(10000000- 20000000)	Blade Kit, 800mm, Urethane (Option)	1
▲	22 1228920	(10000000- 20000000)	Blade, Sqge, Rear, 1306l,Urethane[800mm] (Option)	1
▲	23 1228922	(10000000- 20000000)	Blade, Sqge, Front,1256l Urethane[800mm] (Option)	1
▽	21 9015739	(10000000- 20000000)	Blade Kit, 800mm, Gum (Option)	1
▲	22 1228921	(10000000- 20000000)	Blade, Sqge, Rear, 1306l, Gum[800mm] (Option)	1
▲	23 1228923	(10000000- 20000000)	Blade, Sqge, Front, 1256l Gum[800mm] (Option)	1

▽ ASSEMBLY

▲ INCLUDED IN ASSEMBLY

STANDARD SOLUTION GROUP

355634

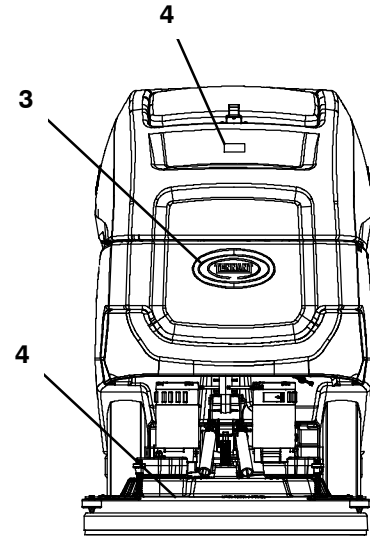
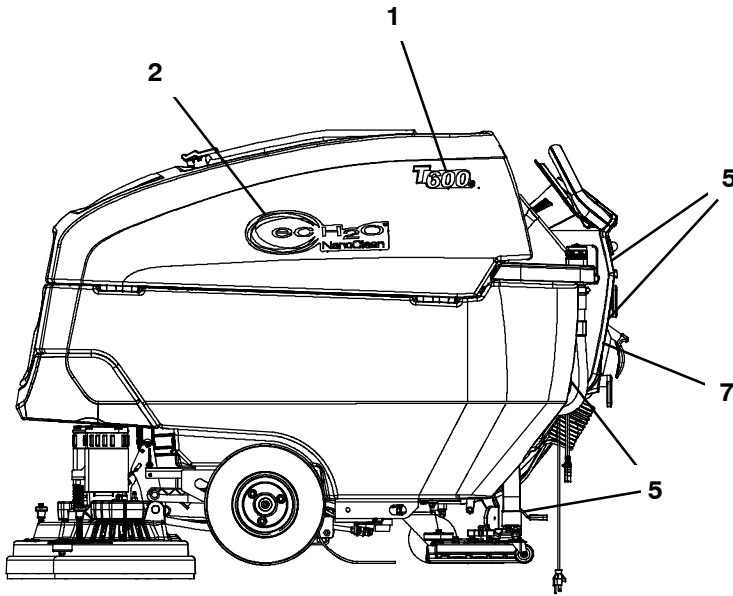


STANDARD SOLUTION GROUP

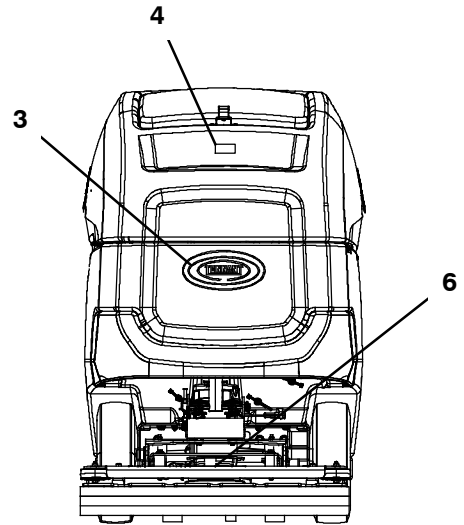
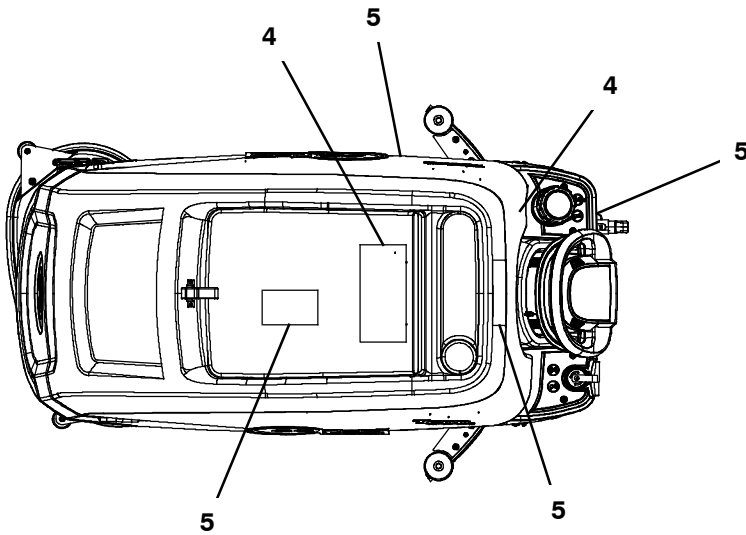
Ref.	Part No.	Serial Number	Description	Qty.
1	1212987	(10000000- 20000000)	Fitting, Plstc, E90, Qf08/Pm06, Swivel	1
2	9014145	(10000000- 20000000)	Hose, Afmkt, Pe, .375id .50od, 05ft	1
3	1212813	(10000000- 20000000)	Fitting, Plstc, Str, Qf08/Pm06	2
4	1211537	(10000000- 20000000)	Filter, In- Line, Pf06/Pf06 080m 2.6l Epd	1
5	1221945	(10000000- 20000000)	Fitting, Plstc, E90, Qf08/Qf08	1
6	1228697	(10000000- 20000000)	Valve, Water, Solenoid, 36vdc Qf08/Qf08	1
7	1020341	(10000000- 20000000)	Screw, Hex, M8 X 1.25 X 20, Ss, Sems	2
8	1212859	(10000000- 20000000)	Fitting, Plstc, Str, Qf08/Qf08	1
9	1210807	(10000000- 20000000)	Wire, Tie [W/.25" Fir Tree Clip]	2

STANDARD LABEL GROUP

355660



DISK & CYLINDRICAL HEAD

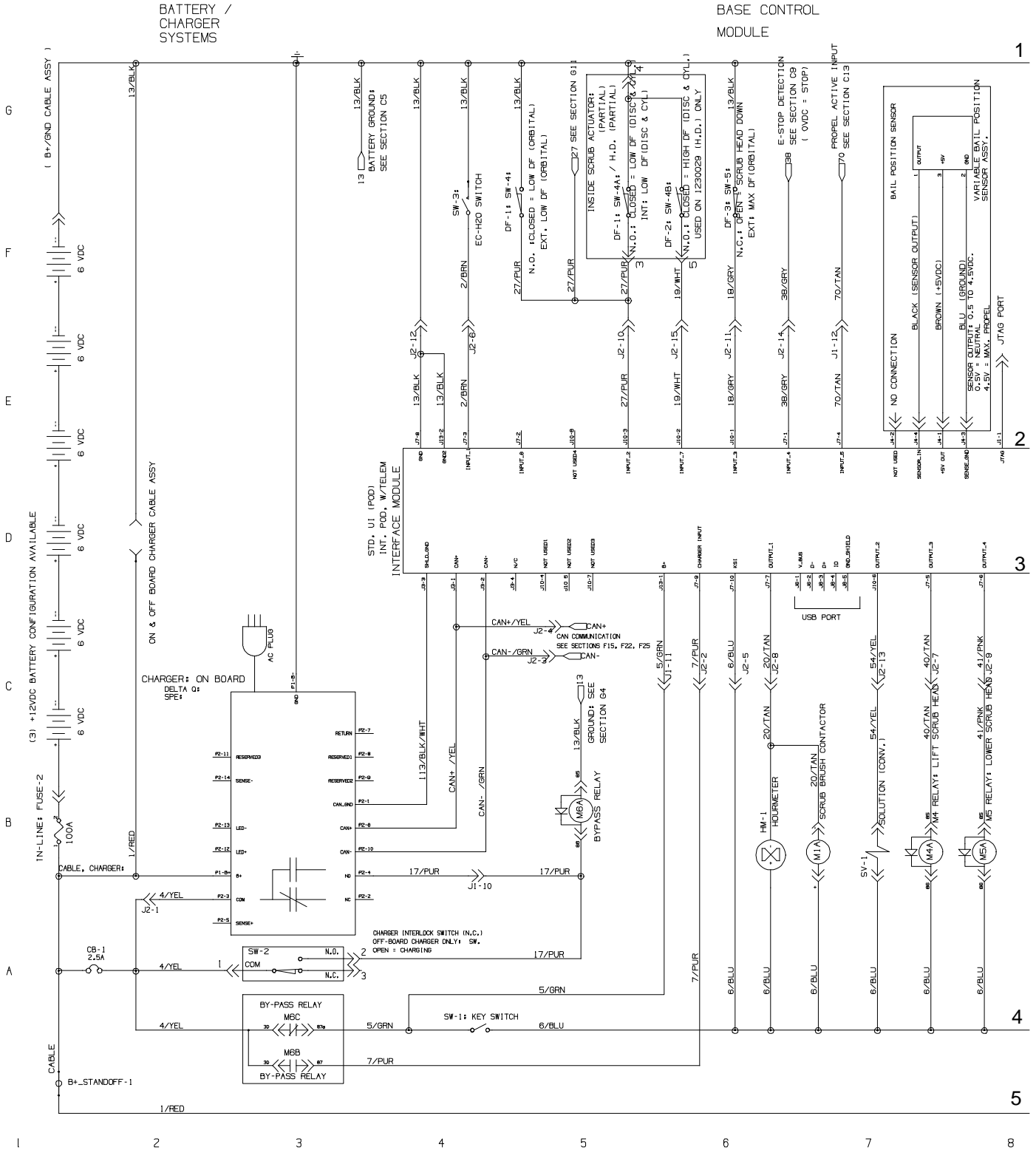


ORBITAL HEAD

Ref.	Part No.	Serial Number	Description	Qty.
1	1231361	(10000000- 20000000)	Label, Logo, [T600e]	2
1	1231360	(10000000- 20000000)	Label, Logo, [T600]	2
2	1216520	(10000000- 20000000)	Label, Logo [Ech2o Nano]	2
3	1231367	(10000000- 20000000)	Label, Logo, 7.00l, Blk/Stl [Tennant]	1
4	1220962	(10000000- 20000000)	Label Sheet, Info/Hzrd [T500, Na]	1
5	1234509	(10000000- 20000000)	Label Sheet, Operational [T600/T600e]	1
6	1224995	(10000000- 20000000)	Label, Orbital, Size, 70cm	1
7	1225763	(10000000- 20000000)	Label, Decal, Charger, Off- Board	1

ELECTRICAL DIAGRAM T600e MODEL (PAGE 1 OF 4)

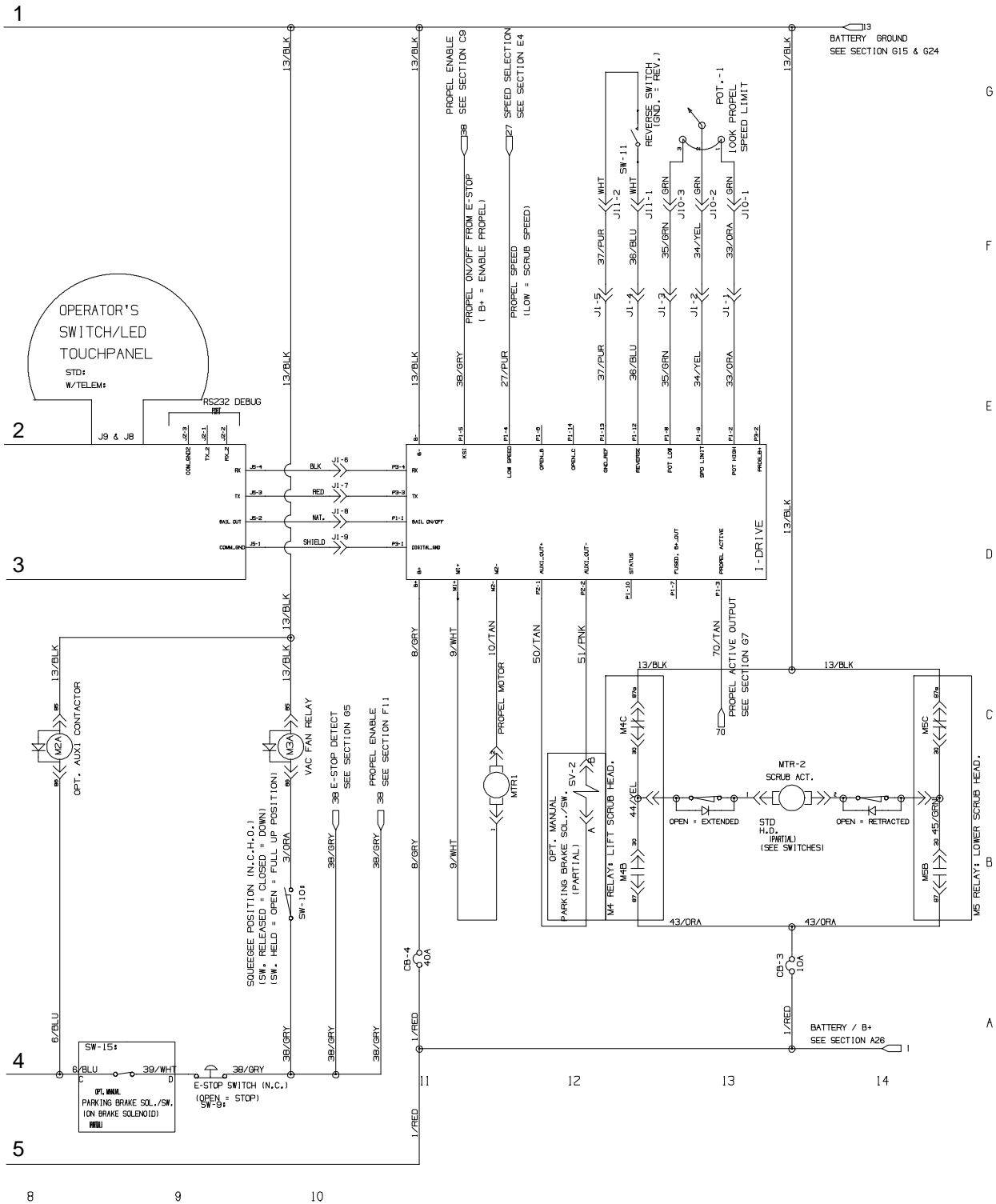
1076283_00



ELECTRICAL DIAGRAM T600e MODEL (PAGE 2 OF 4)

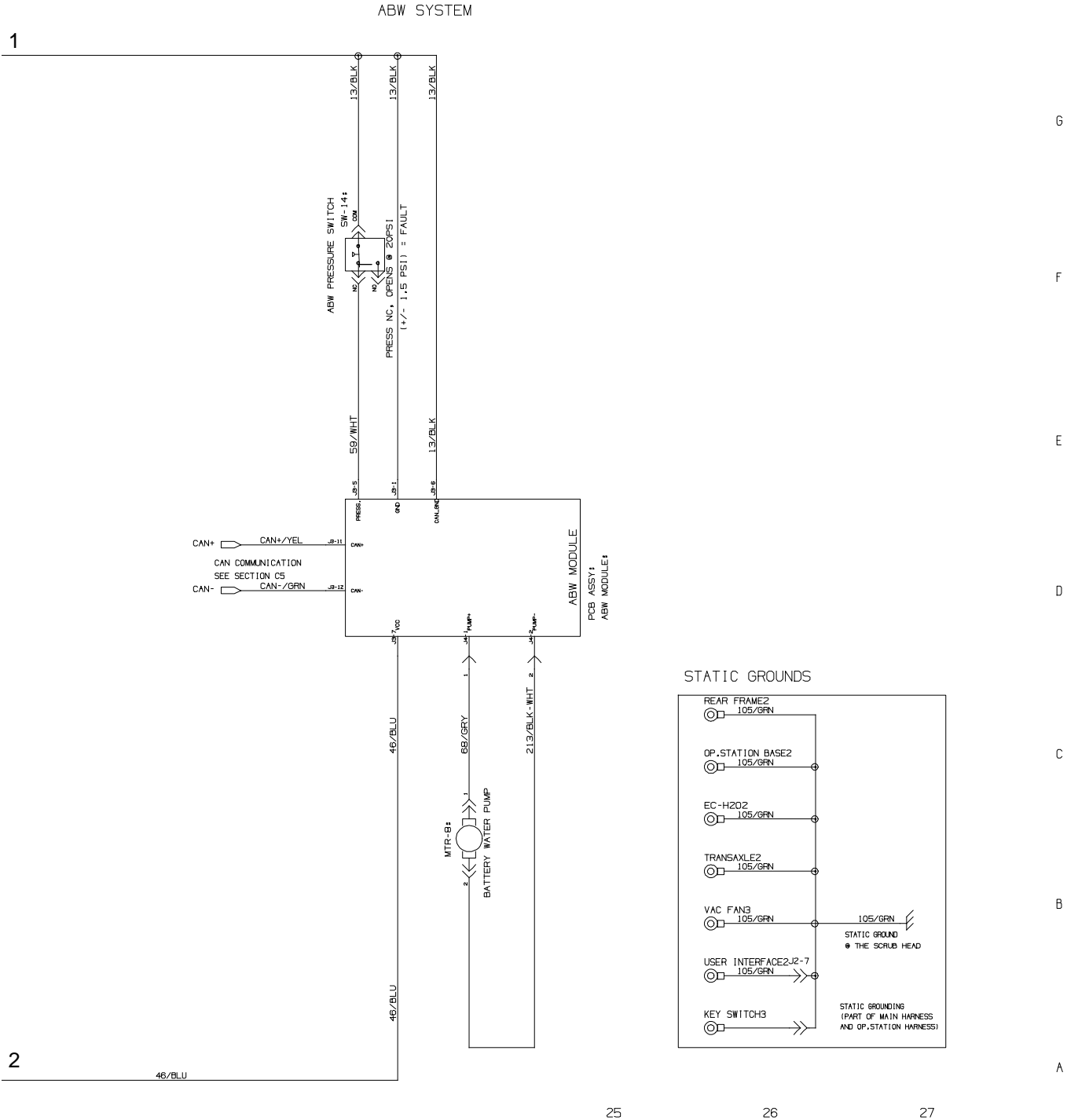
1076283_00

PROPEL SYSTEM



ELECTRICAL DIAGRAM T600e MODEL (PAGE 4 OF 4)

1076283_00



1

2

22

23

24

25

26

27

G

F

E

D

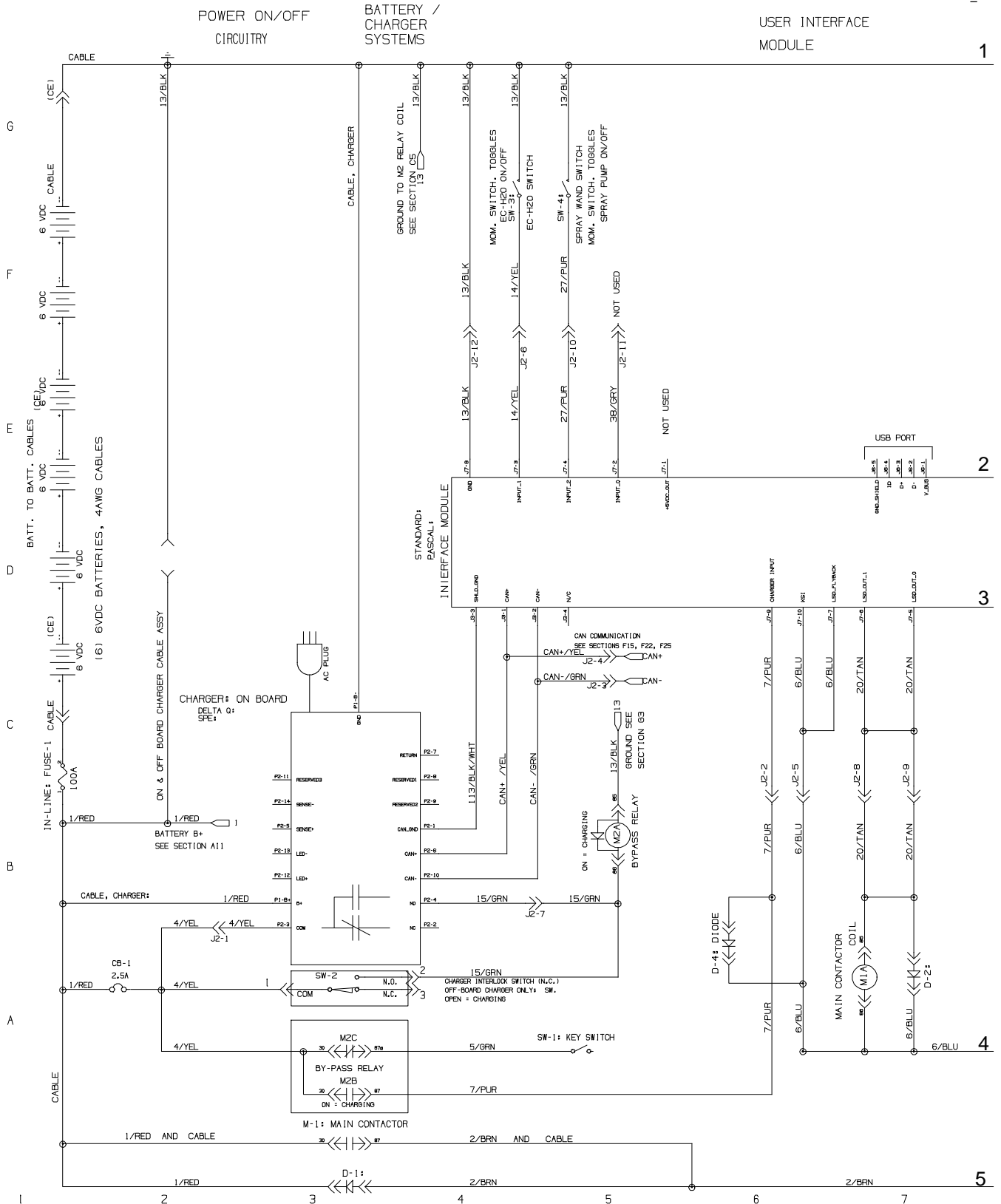
C

B

A

ELECTRICAL DIAGRAM T600 MODEL (PAGE 1 OF 4)

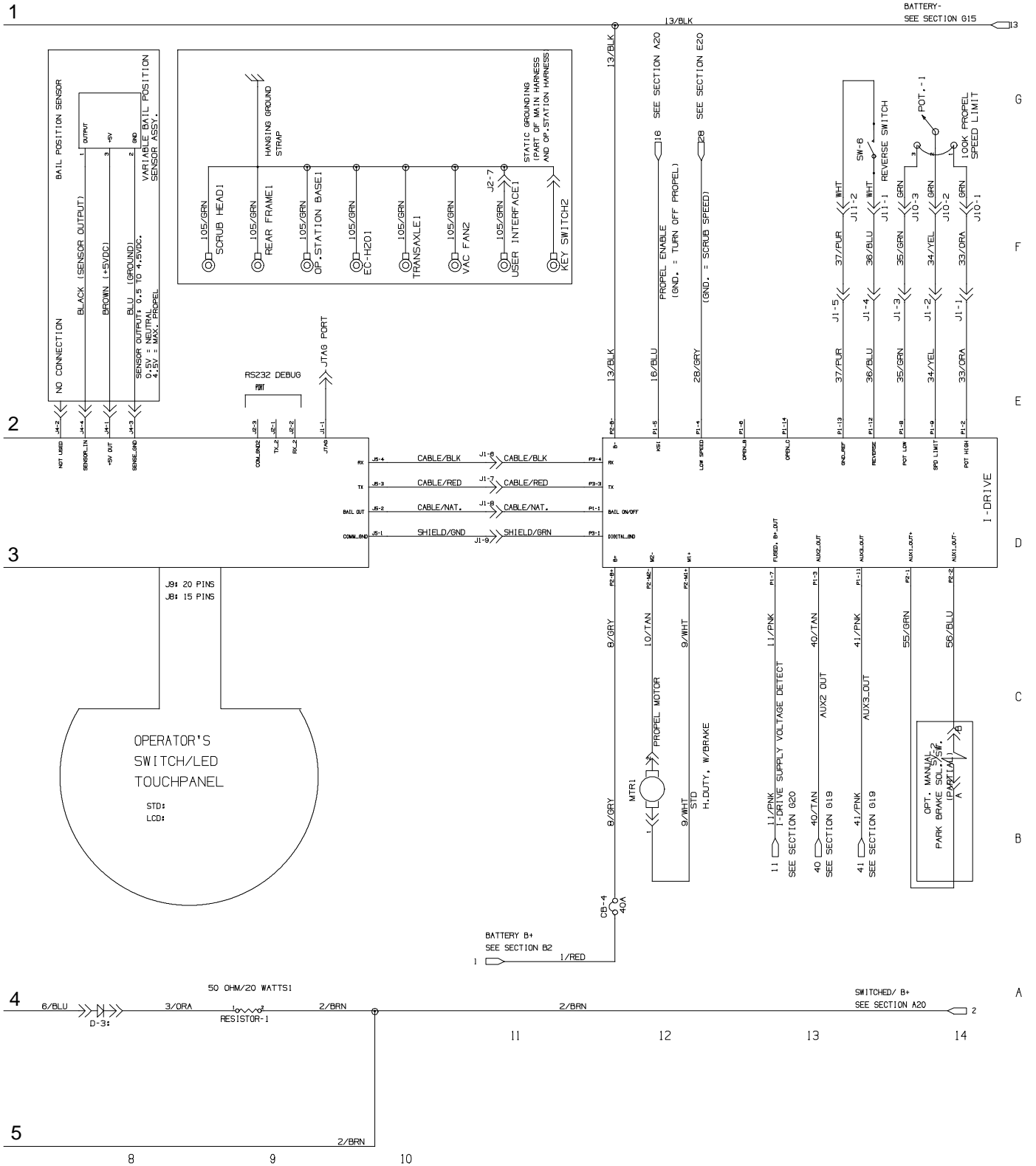
1076325_00



ELECTRICAL DIAGRAM T600 MODEL (PAGE 2 OF 4)

1076325_00

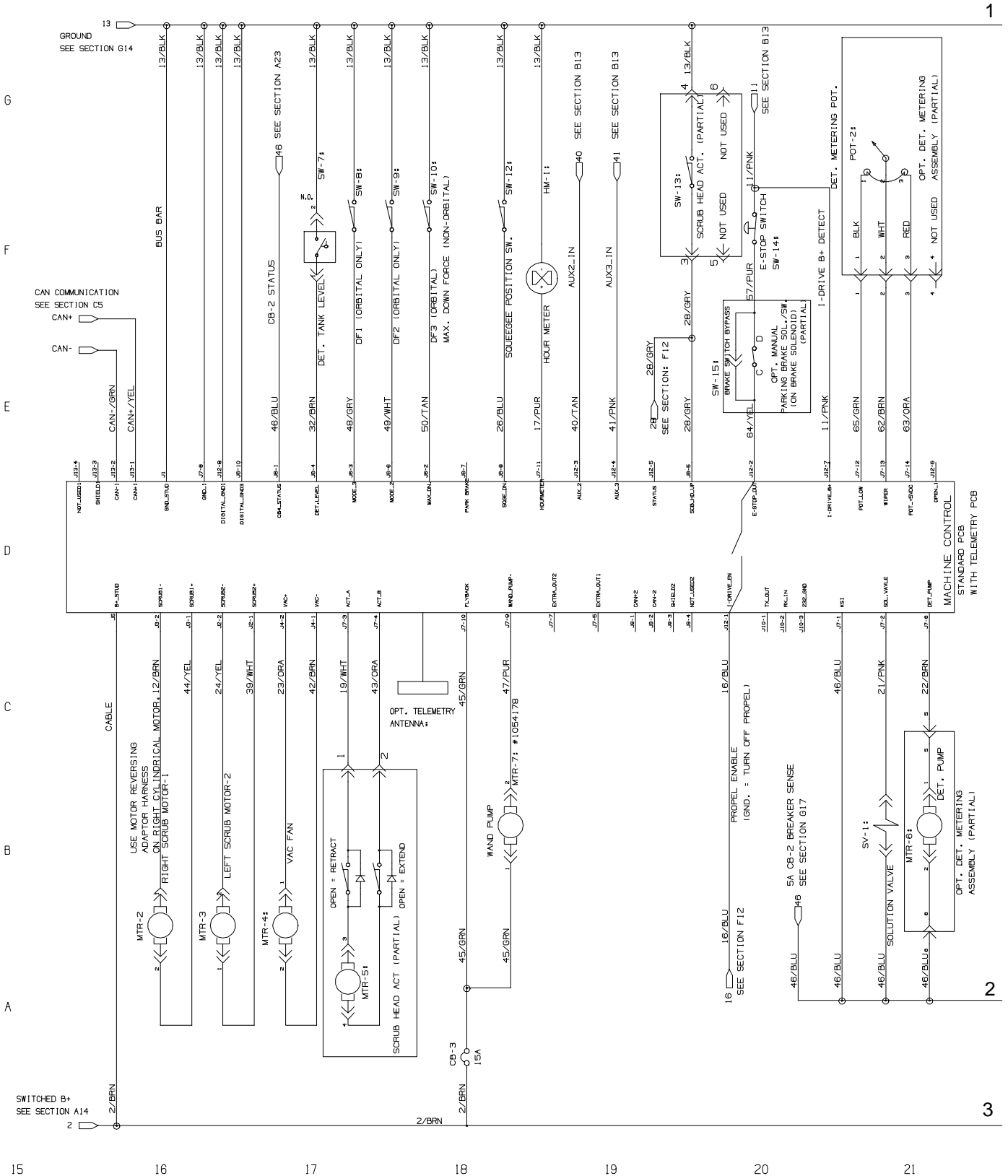
PROPEL SYSTEM



ELECTRICAL DIAGRAM T600 MODEL (PAGE 3 OF 4)

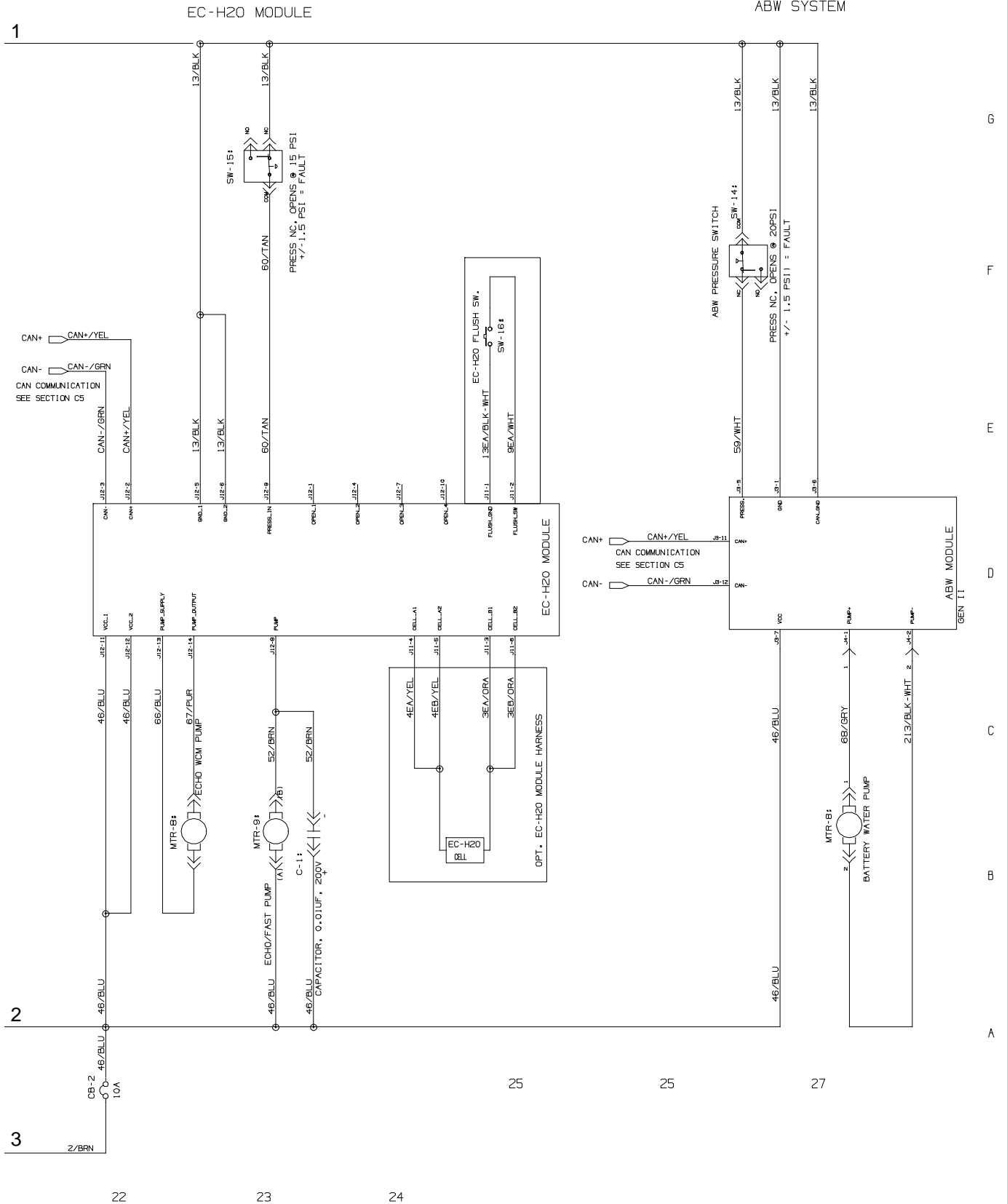
1076325_00

PREMIUM CONTROLLER



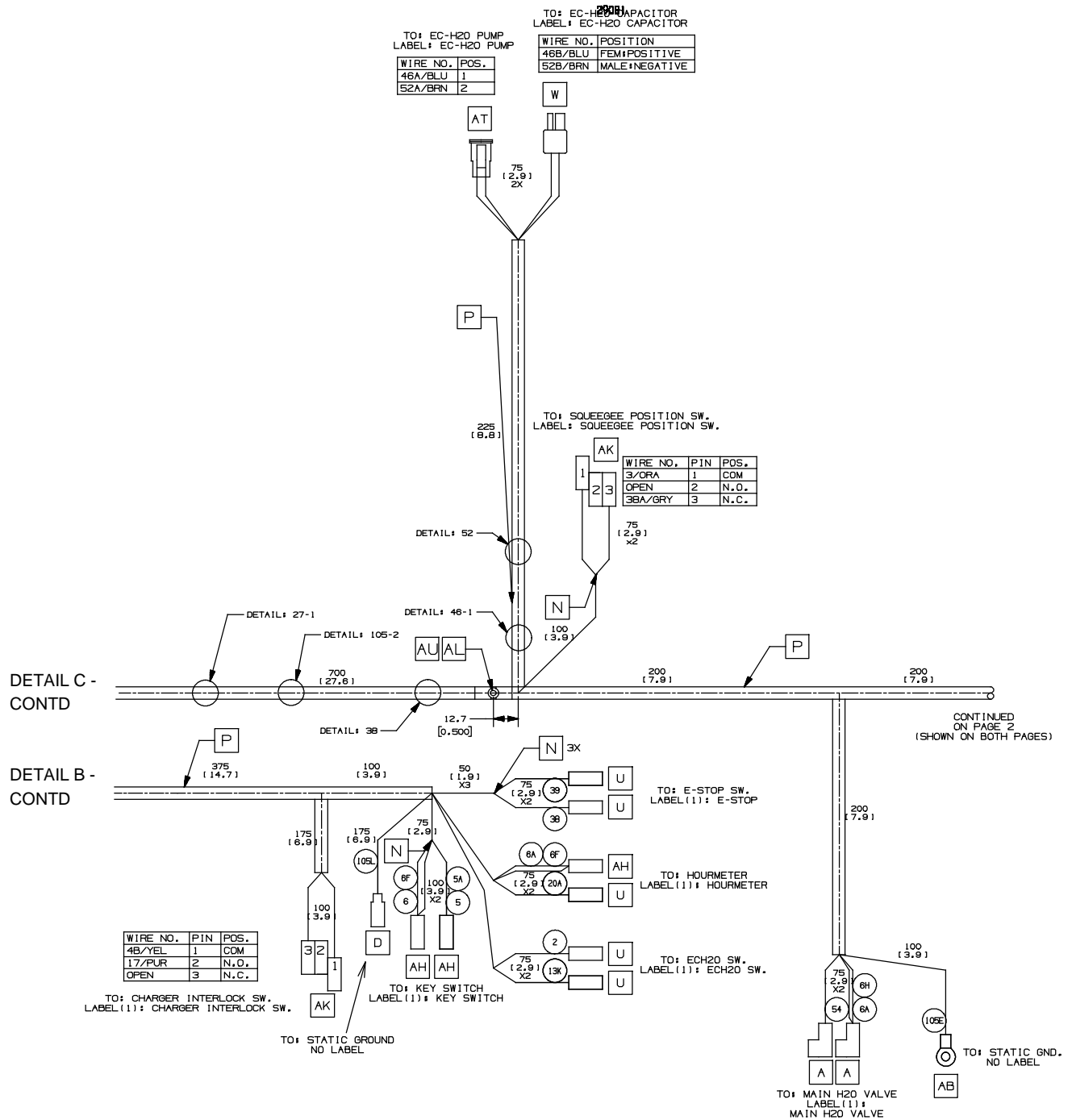
ELECTRICAL DIAGRAM T600 MODEL (PAGE 4 OF 4)

1076325_00



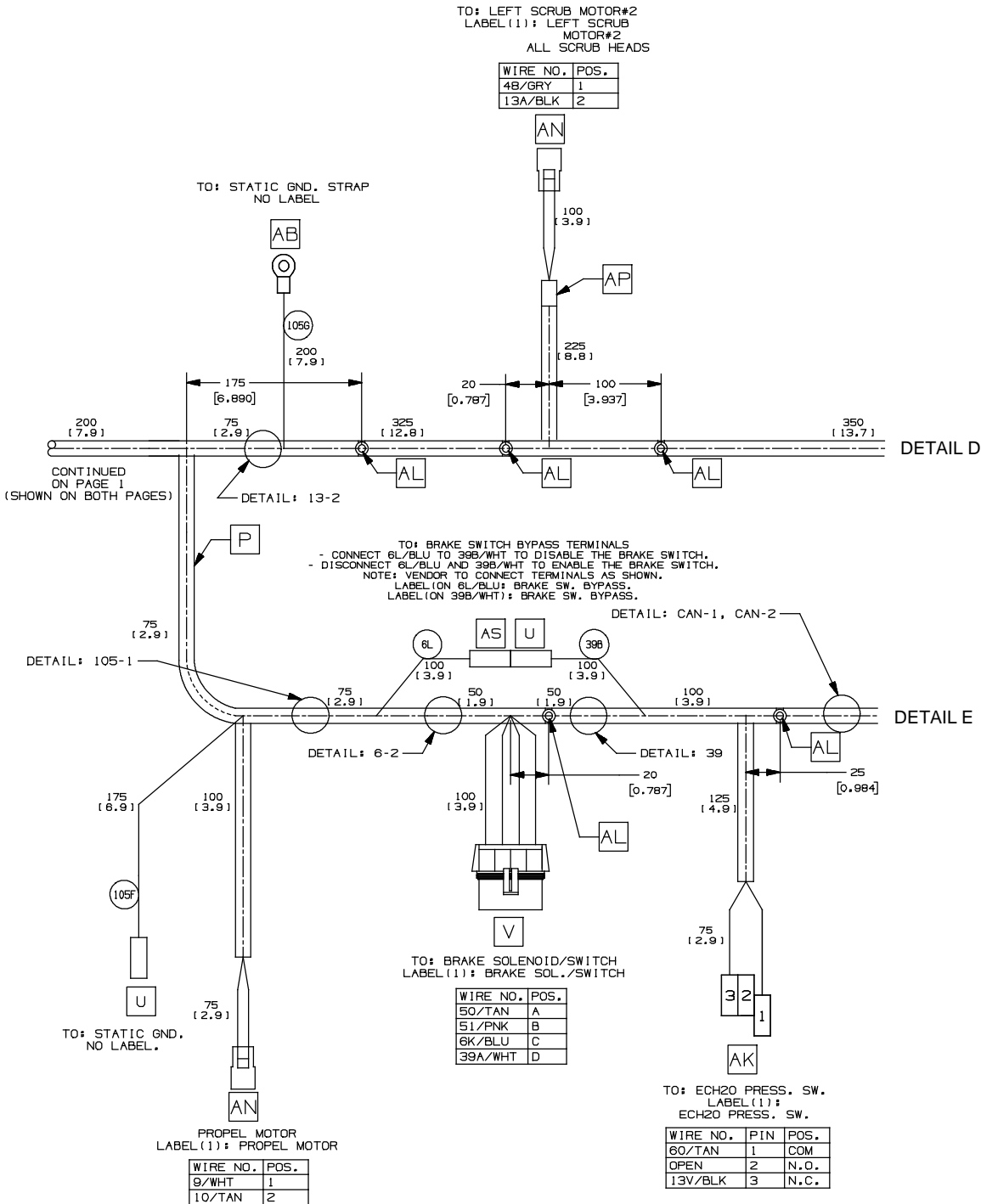
ELECTRICAL HARNESS, MAIN T600e MODEL (PAGE 2 OF 5)

1075507_03



ELECTRICAL HARNESS, MAIN T600e MODEL (PAGE 3 OF 5)

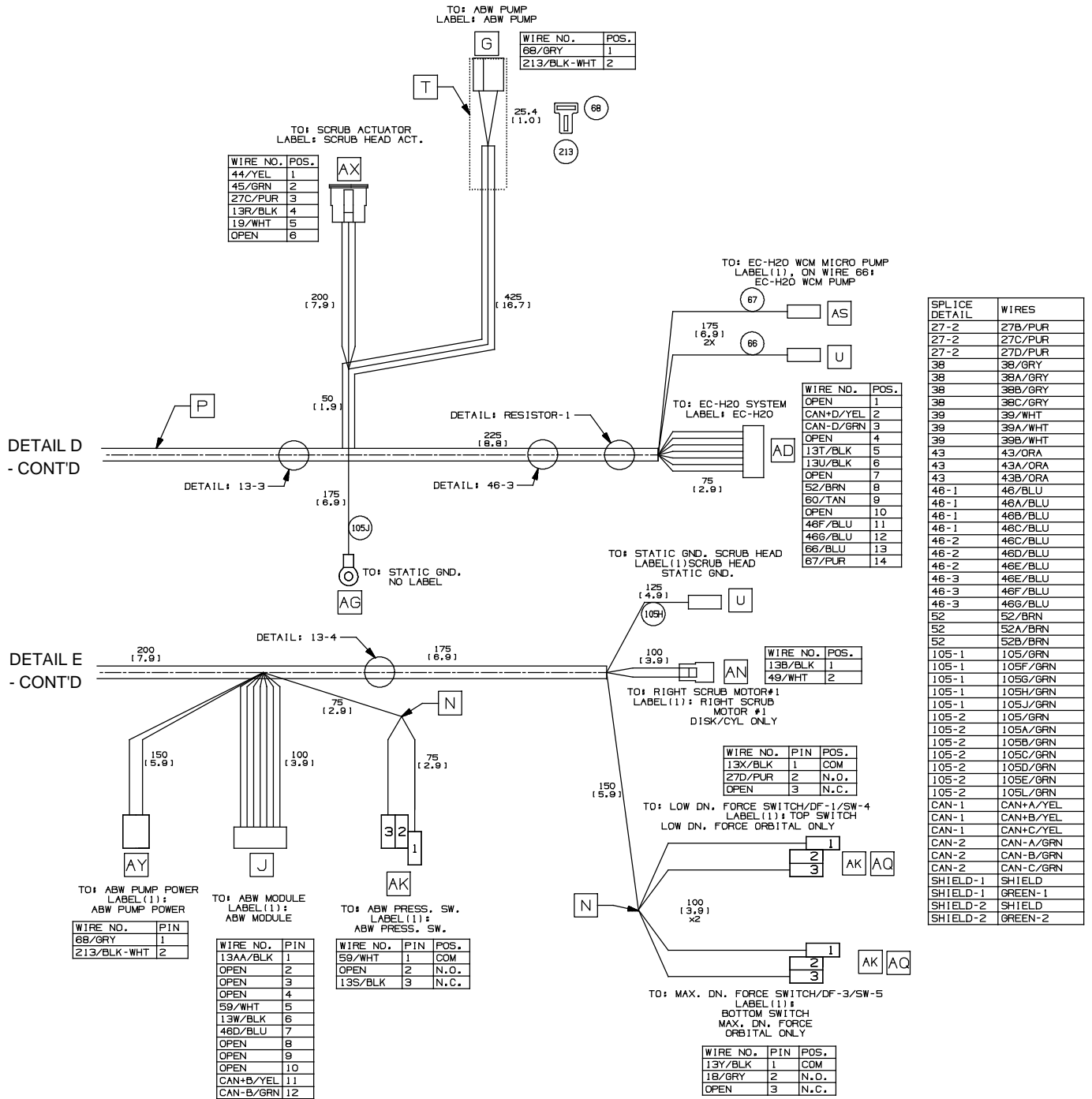
1075507_03



SPLICE DETAIL	WIRES
1	1B/RED
1	1C/RED
1	1D/RED
1	1E/RED
1	1G/RED
4	4/YEL
4	4A/YEL
4	4B/YEL
4	4C/YEL
6-1	6/BLU
6-1	6B/BLU
6-1	6C/BLU
6-1	6D/BLU
6-1	6E/BLU
6-1	6F/BLU
6-2	6H/BLU
6-2	6K/BLU
6-2	6L/BLU
13-1	13D/BLK
13-1	13F/BLK
13-1	13G/BLK
13-1	13H/BLK
13-1	13J/BLK
13-1	13AB/BLK
13-2	13L/BLK
13-2	13M/BLK
13-2	13N/BLK
13-3	13M/BLK
13-3	13R/BLK
13-3	13T/BLK
13-3	13U/BLK
13-4	13N/BLK
13-4	13V/BLK
13-4	13W/BLK
13-4	13X/BLK
13-4	13Y/BLK
13-4	13AA/BLK
13-4	13S/BLK
13-5	13AC/BLK
13-5	13K/BLK
13-5	13E/BLK
17	17/PUR
17	17A/PUR
17	17B/PUR
27-1	27/PUR
27-1	27A/PUR
27-1	27B/PUR

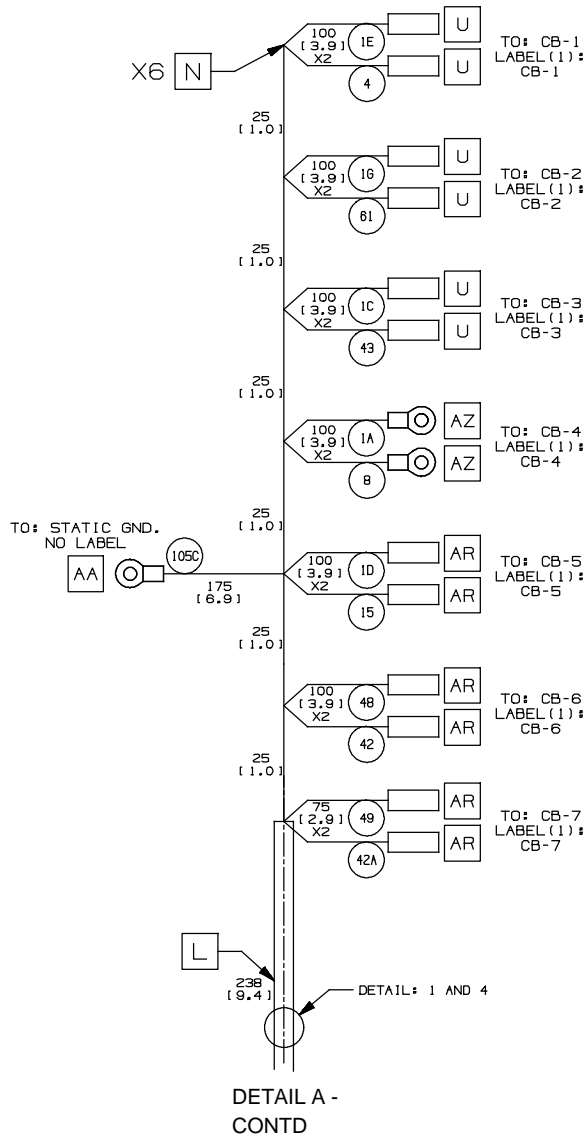
ELECTRICAL HARNESS, MAIN T600e MODEL (PAGE 4 OF 5)

1075507_03



ELECTRICAL HARNESS, MAIN T600e MODEL (PAGE 5 OF 5)

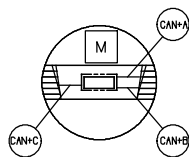
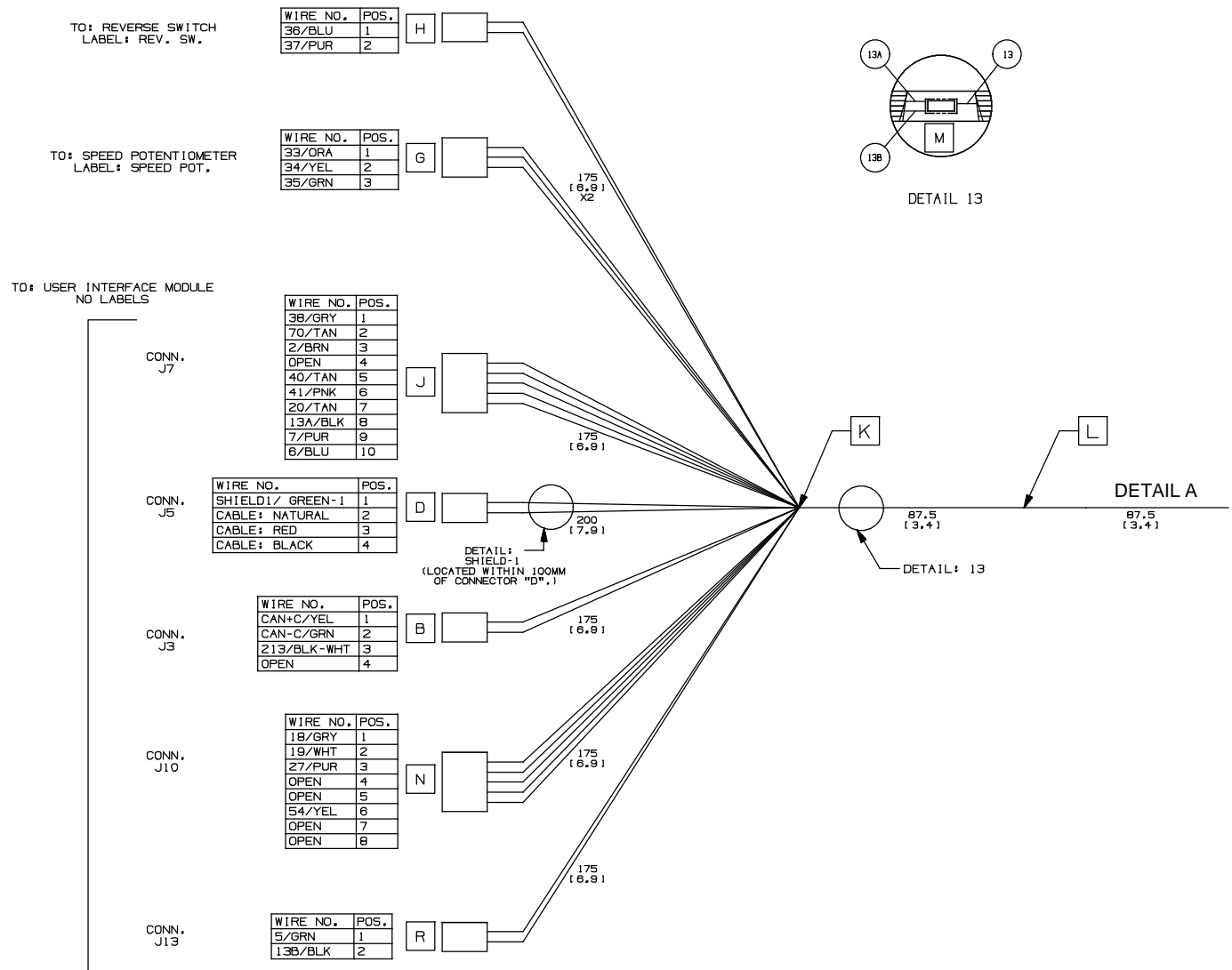
1075507_03



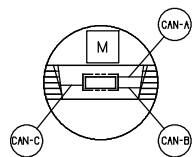
Part No.	Serial Number	Description	Qty.
1075507	(10000000-20000000)	Harness, Main, Ele [T600e]	1

ELECTRICAL HARNESS, OPERATOR STATION T600e MODEL

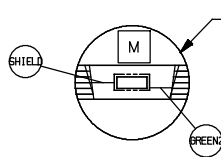
1075512_03



DETAIL CAN 1



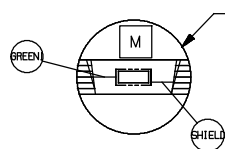
DETAIL CAN 2



DETAIL CABLE SHIELD-2

NOTE:

- REMOVE CABLE COVERING RIGHT OF THIS POINT.
- SPLICE SHIELD TO THE SHIELD2:GREEN WIRE.
- ROUTE THE (4) WIRES RIGHT TO THE SPECIFIED CONNECTORS.
- COVER THE EXPOSED END OF THE CABLE COVER WITH DEFINED HEATSHRINK.



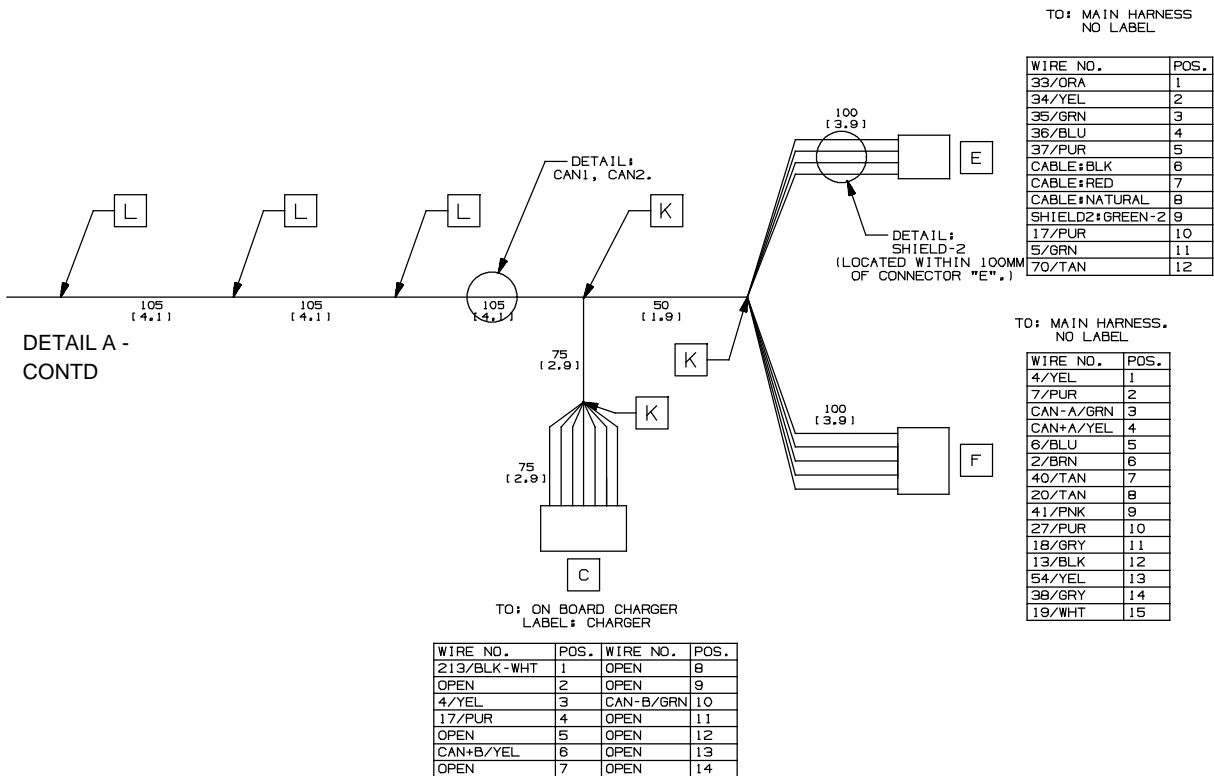
DETAIL CABLE SHIELD-1

NOTE:

- REMOVE CABLE COVERING LEFT OF THIS POINT.
- SPLICE SHIELD TO THE SHIELD1:GREEN WIRE.
- ROUTE THE (4) WIRES LEFT TO THE SPECIFIED CONNECTORS.
- COVER THE EXPOSED END OF THE CABLE COVER WITH DEFINED HEATSHRINK.

ELECTRICAL HARNESS, OPERATOR STATION T600e MODEL

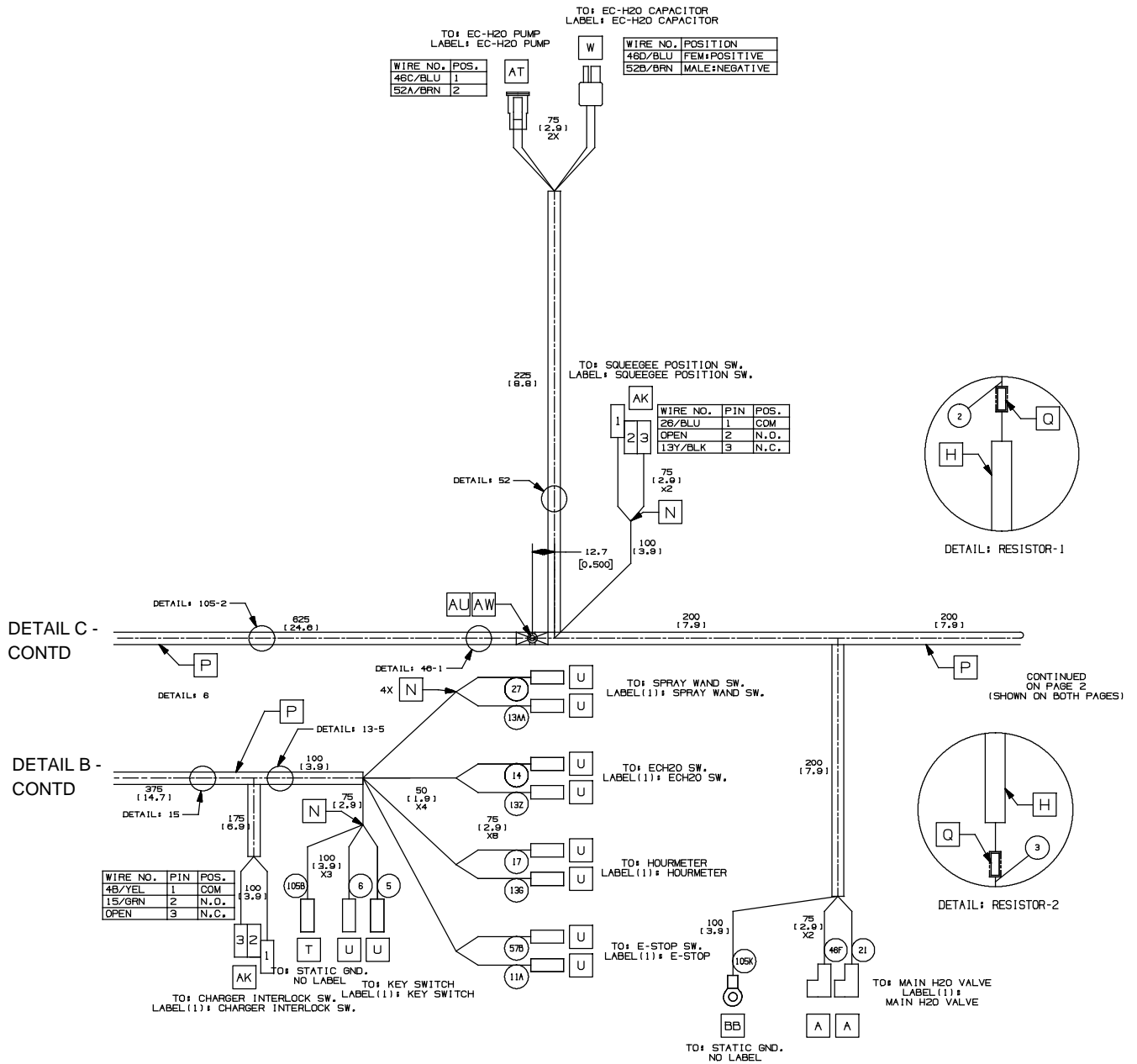
1075512_03



Part No.	Serial Number	Description	Qty.
1075512	(10000000- 20000000)	Harness, Ele [Op. Station, T600e]	1

ELECTRICAL HARNESS, MAIN T600 MODEL (PAGE 2 OF 5)

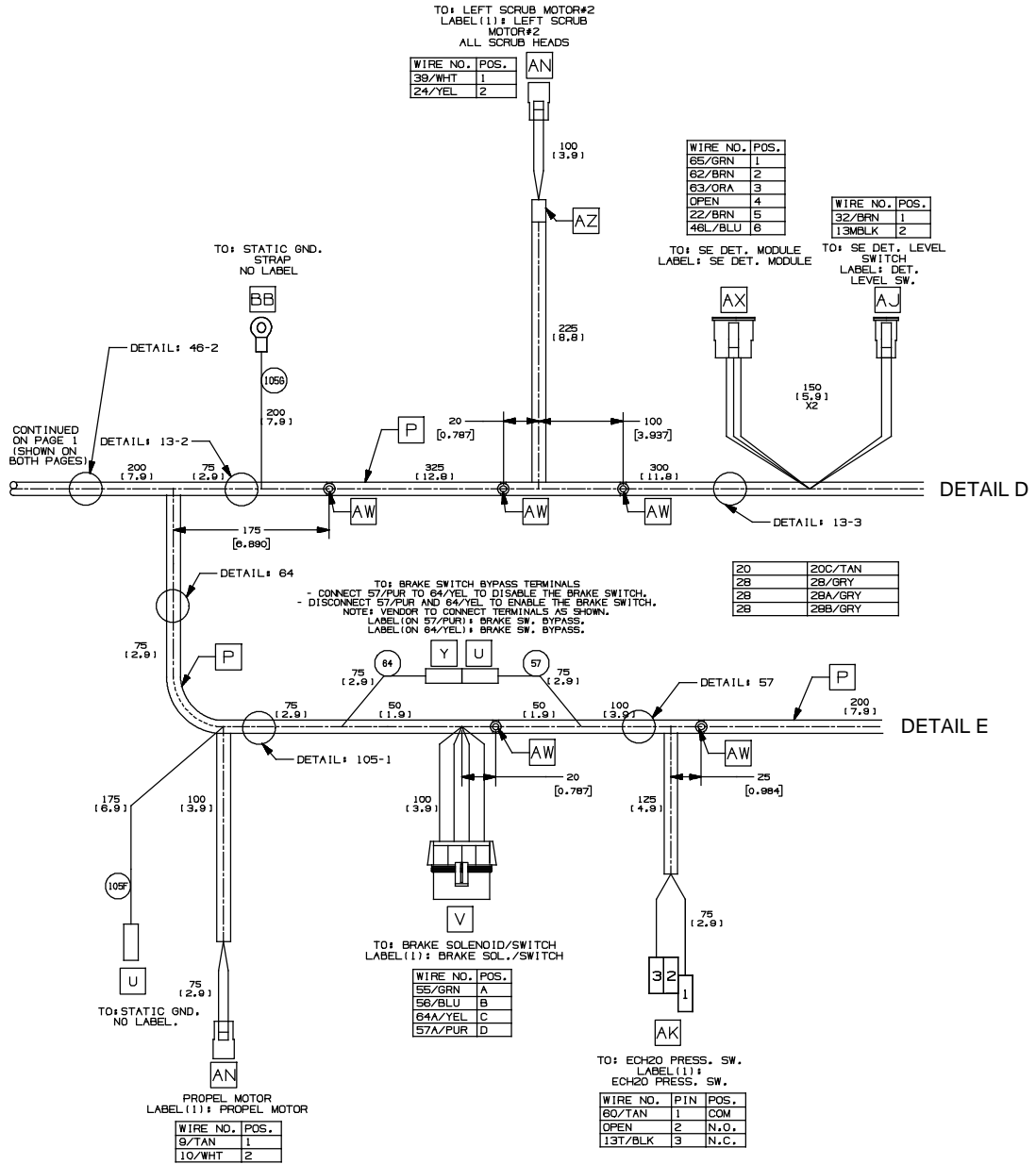
1075520_03



ELECTRICAL HARNESS, MAIN T600 MODEL (PAGE 3 OF 5)

1075520_03

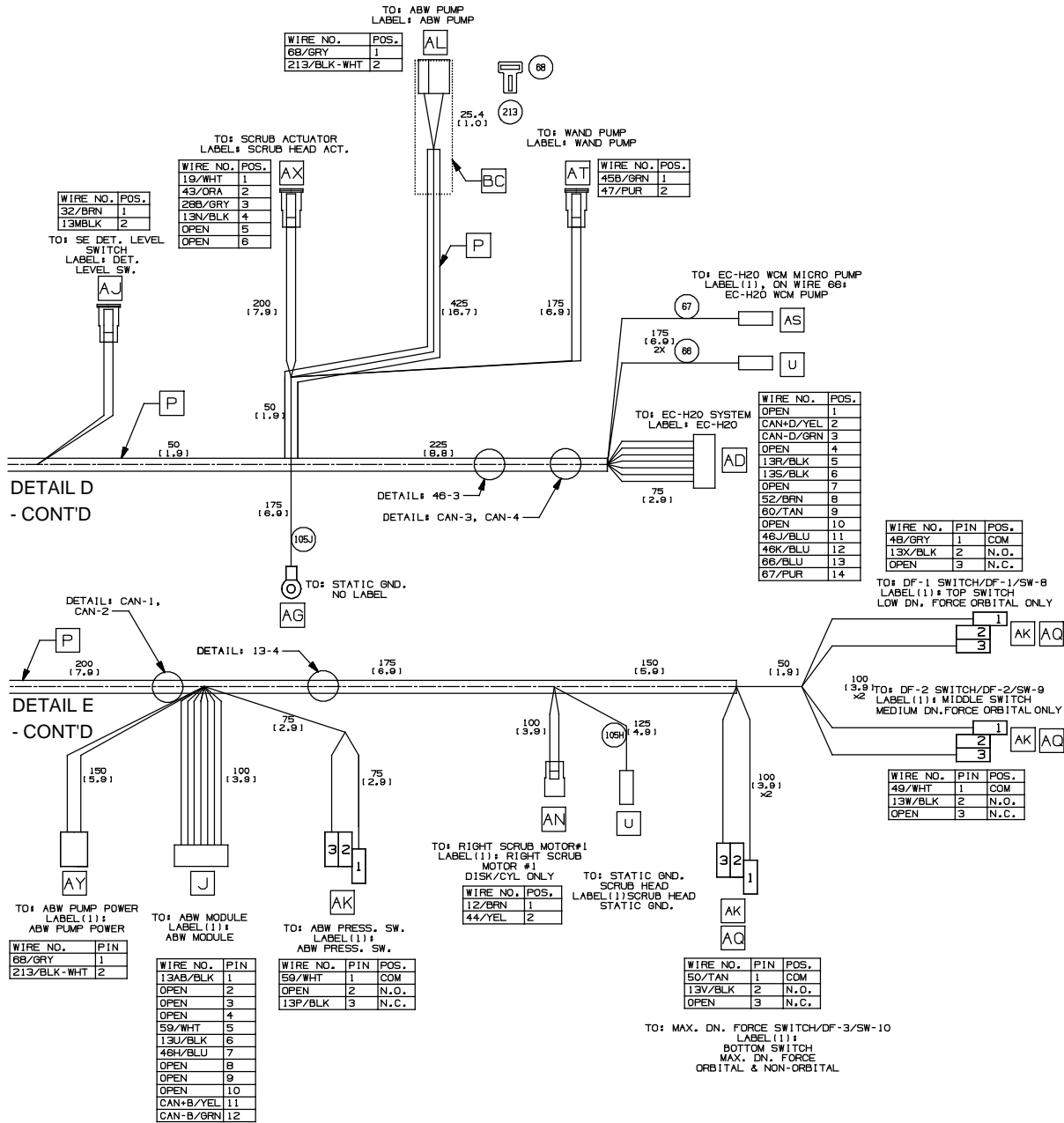
SPLICE DETAIL	WIRES
4	4/YEL
4	4A/YEL
4	4B/YEL
4	4C/YEL
6	6/BLU
6	6A/BLU
6	6B/BLU
6	6C/BLU
6	6D/BLU
6	6E/BLU
7	7/PUR
7	7A/PUR
7	7B/PUR
11	11/PNK
11	11A/PNK
11	11B/PNK
13-1	13A/BLK
13-1	13B/BLK
13-1	13C/BLK
13-1	13D/BLK
13-1	13E/BLK
13-1	13F/BLK
13-1	13G/BLK
13-2	13H/BLK
13-2	13I/BLK
13-2	13J/BLK
13-2	13K/BLK
13-2	13L/BLK
13-2	13M/BLK
13-2	13N/BLK
13-2	13O/BLK
13-2	13P/BLK
13-2	13Q/BLK
13-2	13R/BLK
13-2	13S/BLK
13-2	13T/BLK
13-2	13U/BLK
13-2	13V/BLK
13-2	13W/BLK
13-2	13X/BLK
13-2	13Y/BLK
13-2	13Z/BLK
13-2	13AA/BLK
15	15/GRN
15	15A/GRN
15	15B/GRN
20	20/TAN
20	20A/TAN
20	20B/TAN



ELECTRICAL HARNESS, MAIN T600 MODEL (PAGE 4 OF 5)

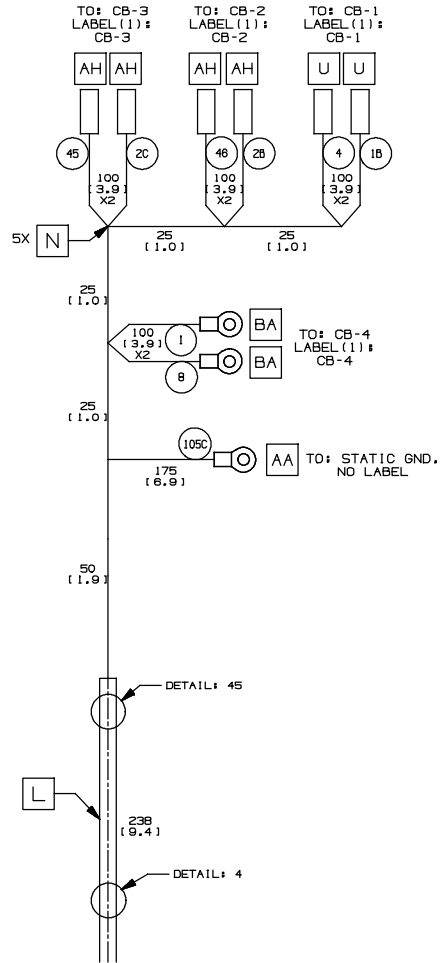
1075520_03

SPLICE DETAIL	WIRES
45	45/GRN
45	45A/GRN
45	45B/GRN
46-1	46/BLU
46-1	46A/BLU
46-1	46B/BLU
46-1	46C/BLU
46-1	46D/BLU
46-1	46E/BLU
46-1	46F/BLU
46-2	46G/BLU
46-2	46H/BLU
46-2	46I/BLU
46-3	46J/BLU
46-3	46K/BLU
46-3	46L/BLU
52	52/BRN
52	52A/BRN
52	52B/BRN
57	57/PUR
57	57A/PUR
57	57B/PUR
64	64/YEL
64	64A/YEL
64	64B/YEL
105-1	105/GRN
105-1	105F/GRN
105-1	105G/GRN
105-1	105H/GRN
105-1	105J/GRN
105-2	105/GRN
105-2	105A/GRN
105-2	105B/GRN
105-2	105C/GRN
105-2	105D/GRN
105-2	105E/GRN
105-2	105K/GRN
CAN-1	CAN+A/YEL
CAN-1	CAN+B/YEL
CAN-1	CAN+C/YEL
CAN-2	CAN-A/GRN
CAN-2	CAN-B/GRN
CAN-2	CAN-C/GRN
CAN-3	CAN+C/YEL
CAN-3	CAN+D/YEL
CAN-3	CAN+E/YEL
CAN-4	CAN-C/GRN
CAN-4	CAN-D/GRN
CAN-4	CAN-E/GRN
SHIELD-1	SHIELD
SHIELD-1	GREEN-1
SHIELD-2	SHIELD
SHIELD-2	GREEN-2



ELECTRICAL HARNESS, MAIN T600 MODEL (PAGE 5 OF 5)

1075520_03

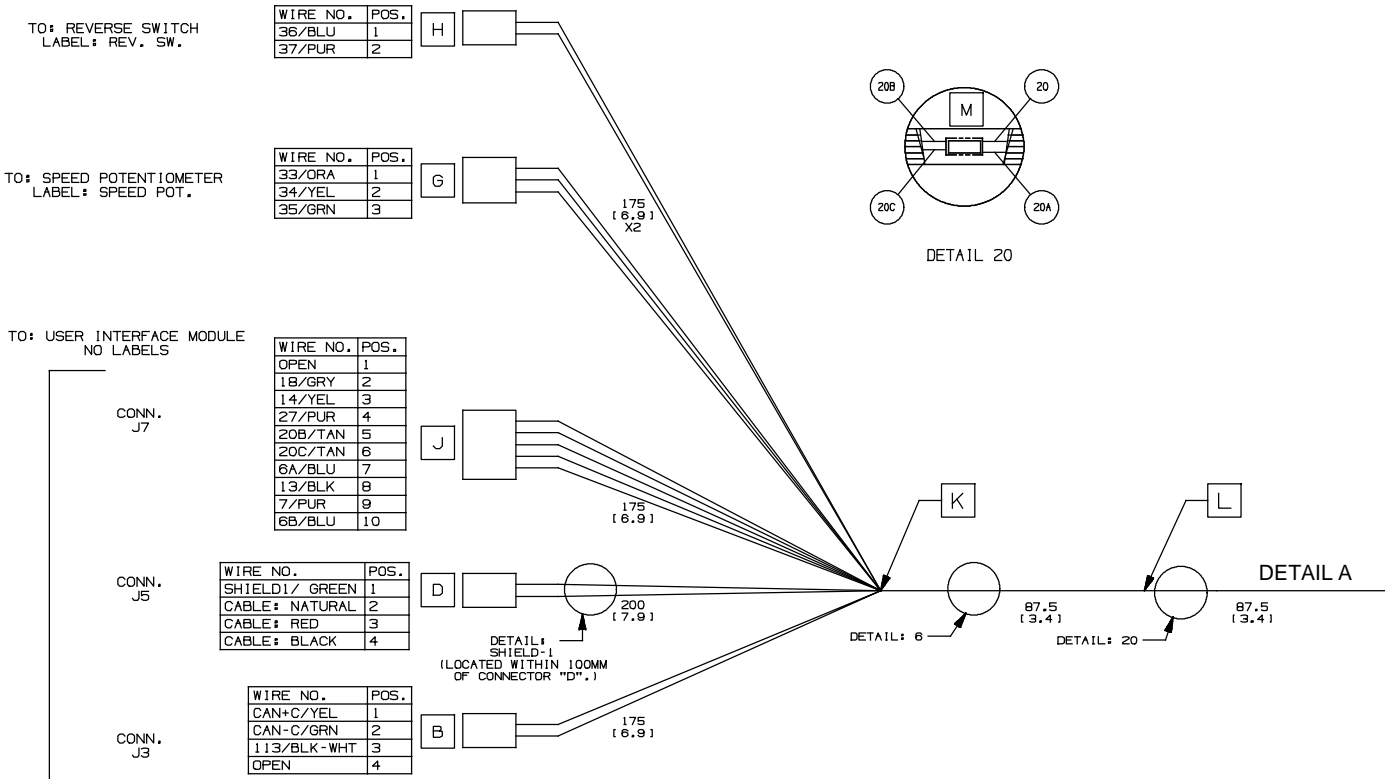


DETAIL A -
CONTD

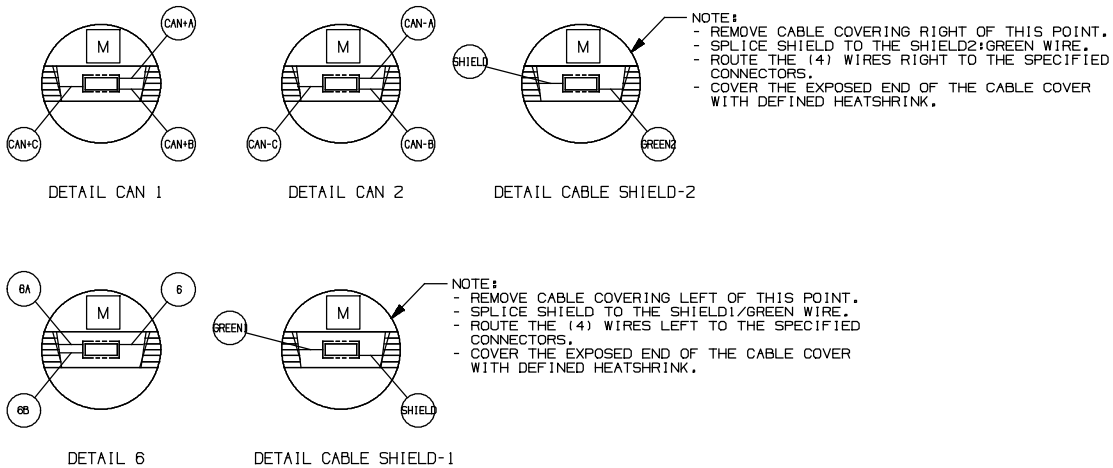
Part No.	Serial Number	Description	Qty.
1075520	(10000000-20000000)	Harness, Main, Ele [T600]	1
222290	(10000000-20000000)	Diode, Ele, Plug	4

ELECTRICAL HARNESS, OPERATOR STATION T600 MODEL

1075519_01

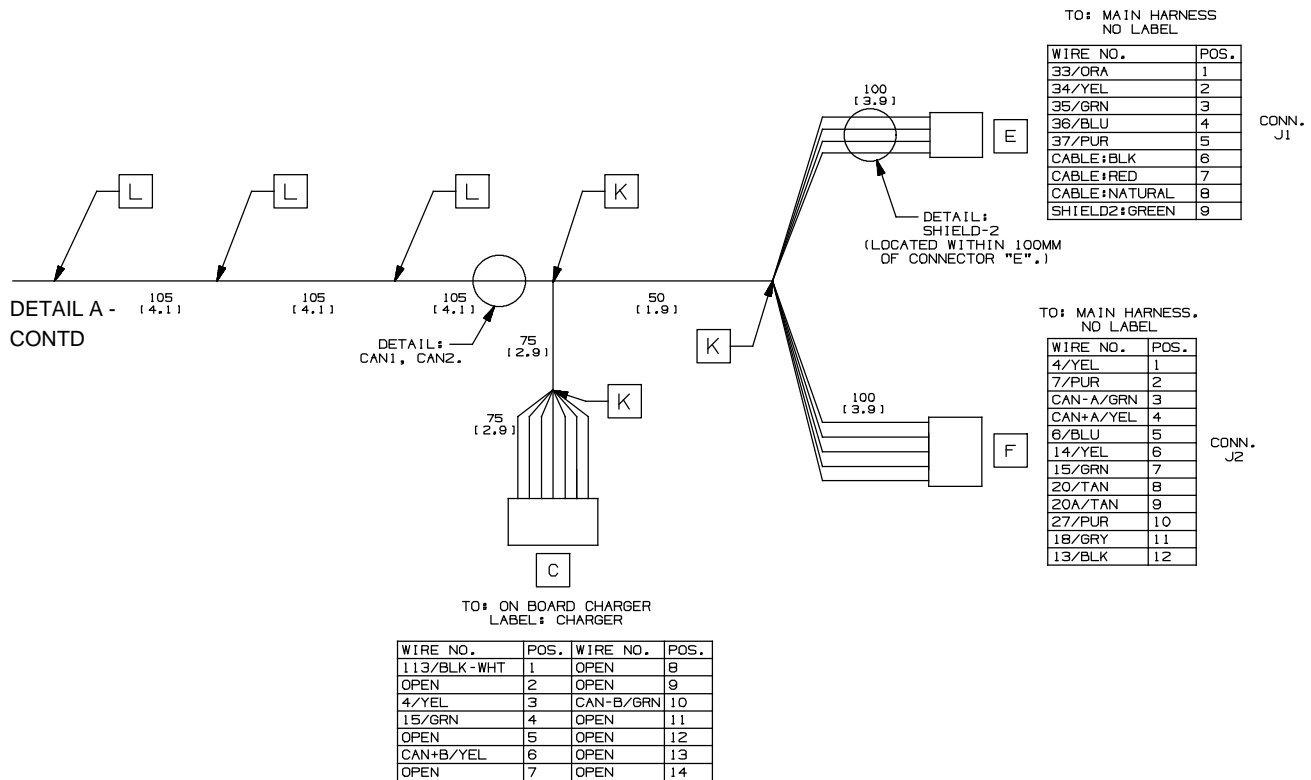


STATIC GROUND
LABEL(1): STATIC GND.



ELECTRICAL HARNESS, OPERATOR STATION T600 MODEL

1075519_01



Part No.	Serial Number	Description	Qty.
1075519	(10000000-20000000)	Harness, Ele [Op. Station, T600]	1

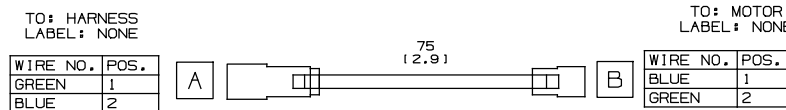
STANDARD PARTS

ELECTRICAL HARNESS, BAIL SWITCH

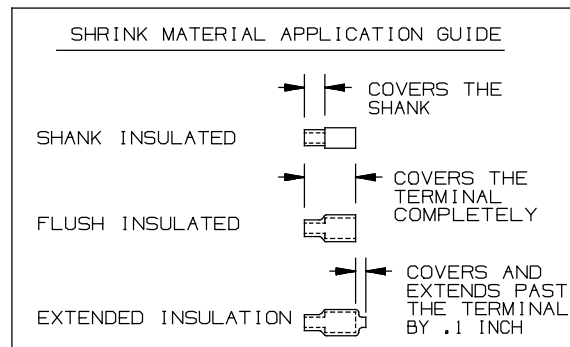
1075585_00

COMPONENT ALPHA	COMPONENT DESCRIPTIONS
A	CONNECTOR BODY(1), MOLEX, MX150L SERIES, .300" PITCH, 2M, 1x2, #19433-0013. TERMINALS, MALE, 10-12GA, #19431-0016.
B	CONNECTOR BODY(1), MOLEX, MX150L SERIES, .300" PITCH, 2F, 1x2, #19432-0013. TERMINALS, FEMALE, 10-12GA, #19434-0003.

NOTE: THIS HARNESS IS USED TO REVERSE THE DIRECTION THE ATTACHED MOTOR SPINS.



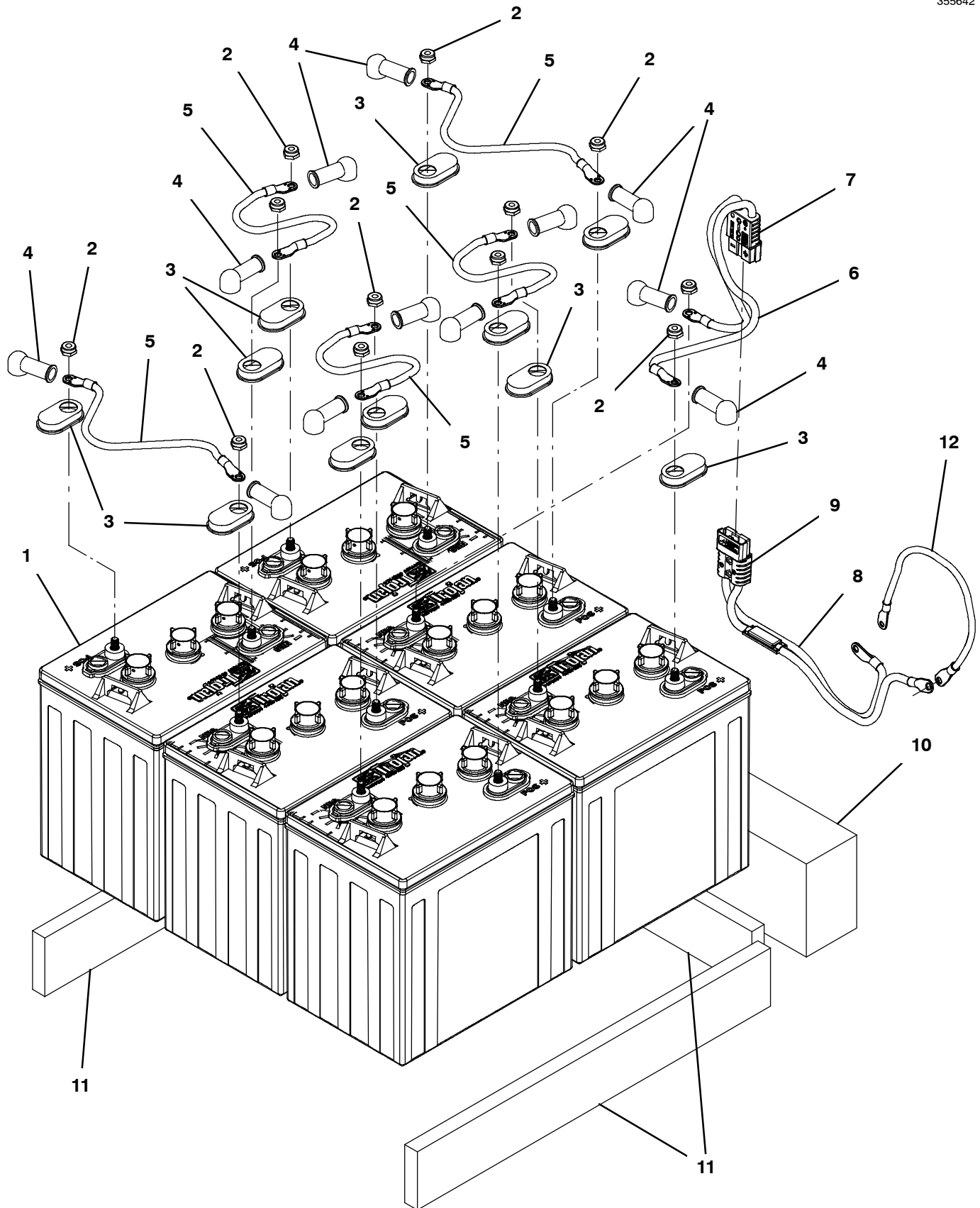
WIRE NO.	COLOR	GAUGE	TYPE
NONE	GREEN	10	SEE NOTE #12
NONE	BLUE	10	SEE NOTE #12



Part No.	Serial Number	Description	Qty.
1075585	(10000000-20000000)	Harness, Ele [Motor Rev., Molex Mx150]	1

BATTERY GROUP, WET 210AH

355642



BATTERY GROUP, WET 210AH

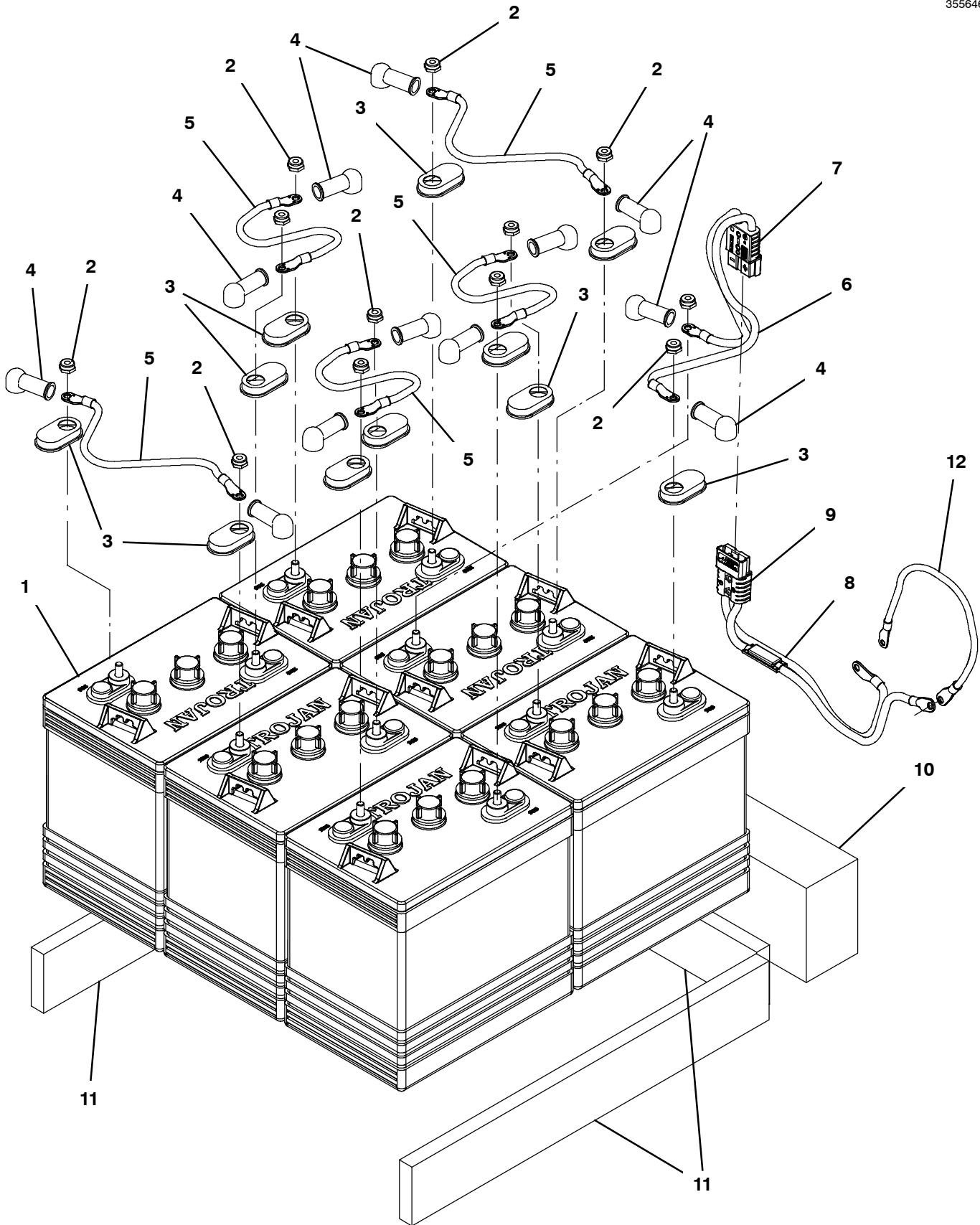
	Ref.	Part No.	Serial Number	Description	Qty.
▽	1	1227180	(10000000- 20000000)	Battery, Wet, 6vdc, 210ah, C/20, W/carton	6
▲	2	87435	(10000000- 20000000)	Nut, Hex, Flexlock, .31- 18	2
	3	1041030	(10000000- 20000000)	Cap, Battery, Black [For 155ah]	12
	4	611221	(10000000- 20000000)	Boot, Terminal, Battery, 25.4mm, Blk	12
	5	63735	(10000000- 20000000)	Cable, 06ga 11.0l Blk .38ring /.38ring	5
▽	6	1075455	(10000000- 20000000)	Cable, Assy [T600, T600e]	1
▲	7	1238858	(10000000- 20000000)	Connector, Battery, Gray [Sb120 Grey]	1
▽	8	1075457	(10000000- 20000000)	Cable, Assy [T600, T600e, Ce]	1
▲	9	1238858	(10000000- 20000000)	Connector, Battery, Gray [Sb120 Grey]	1
	10	222474	(10000000- 20000000)	Spacer, Battery, Foam, 3.00 X 4.8 X 21.0	1
	11	222473	(10000000- 20000000)	Spacer, Battery, 0.75 X 3.0 X 21.0	3
	12	1074945	(10000000- 20000000)	Cable, 04ga 15.0l Red [M8 Ring/M6 Ring] (T600 Model)	1

▽ ASSEMBLY

▲ INCLUDED IN ASSEMBLY

BATTERY GROUP, WET 240AH

355646



BATTERY GROUP, WET 240AH

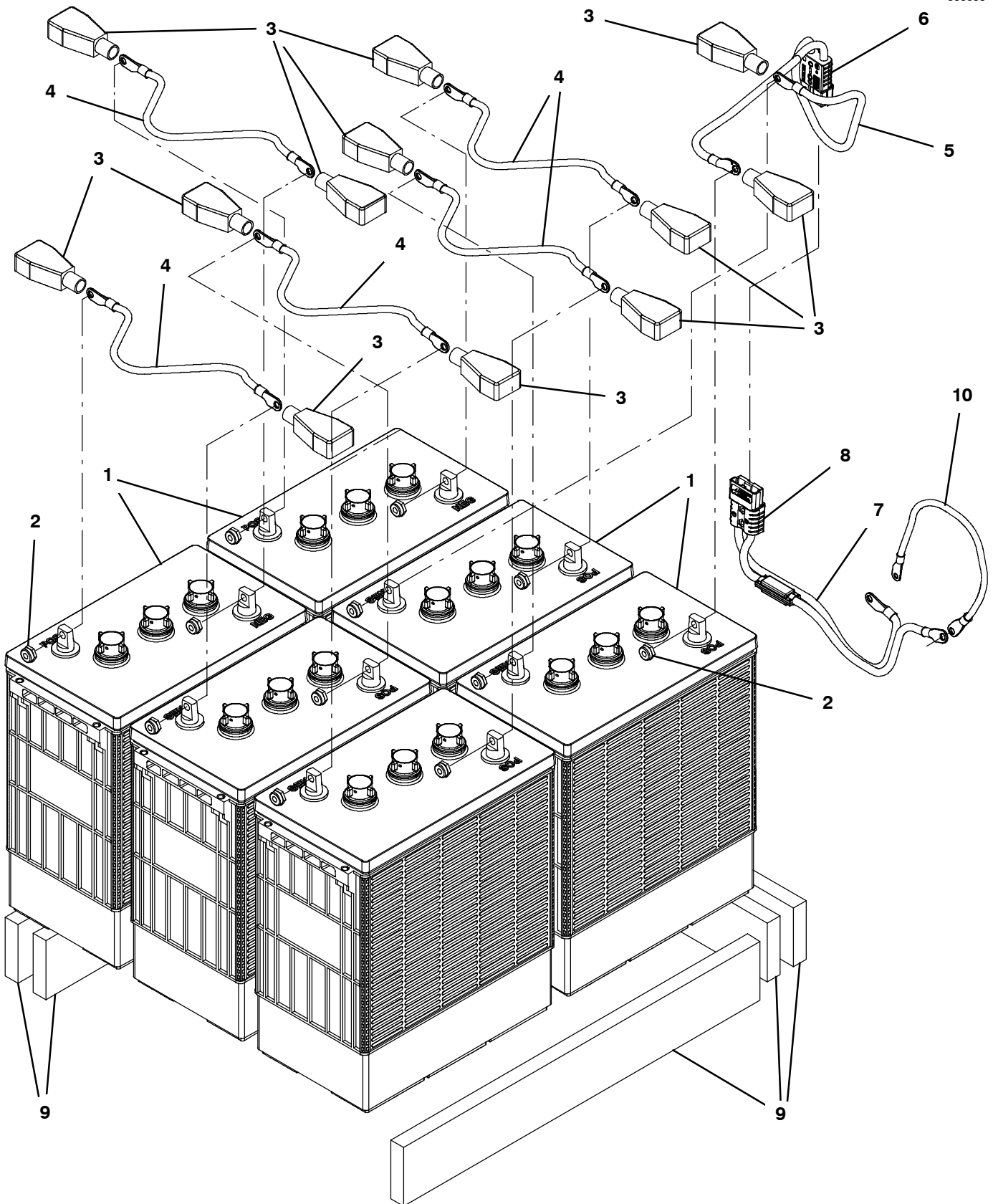
	Ref.	Part No.	Serial Number	Description	Qty.
▽	1	222280	(10000000- 20000000)	Battery, Wet, 06vdc 0240ah	6
▲	2	87435	(10000000- 20000000)	Nut, Hex, Flexlock, .31- 18	2
	3	1041030	(10000000- 20000000)	Cap, Battery, Black [For 155ah]	12
	4	611221	(10000000- 20000000)	Boot, Terminal, Battery, 25.4mm, Blk	12
	5	63735	(10000000- 20000000)	Cable, 06ga 11.0l Blk .38ring /.38ring	5
▽	6	1075455	(10000000- 20000000)	Cable, Assy [T600, T600e]	1
▲	7	1238858	(10000000- 20000000)	Connector, Battery, Gray [Sb120 Grey]	1
▽	8	1075457	(10000000- 20000000)	Cable, Assy [T600, T600e, Ce]	1
▲	9	1238858	(10000000- 20000000)	Connector, Battery, Gray [Sb120 Grey]	1
	10	222474	(10000000- 20000000)	Spacer, Battery, Foam, 3.00 X 4.8 X 21.0	1
	11	222473	(10000000- 20000000)	Spacer, Battery, 0.75 X 3.0 X 21.0	3
	12	1074945	(10000000- 20000000)	Cable, 04ga 15.0l Red [M8 Ring/M6 Ring] (T600 Model)	1

▽ ASSEMBLY

▲ INCLUDED IN ASSEMBLY

BATTERY GROUP, WET 360AH

355633



BATTERY GROUP, WET 360AH

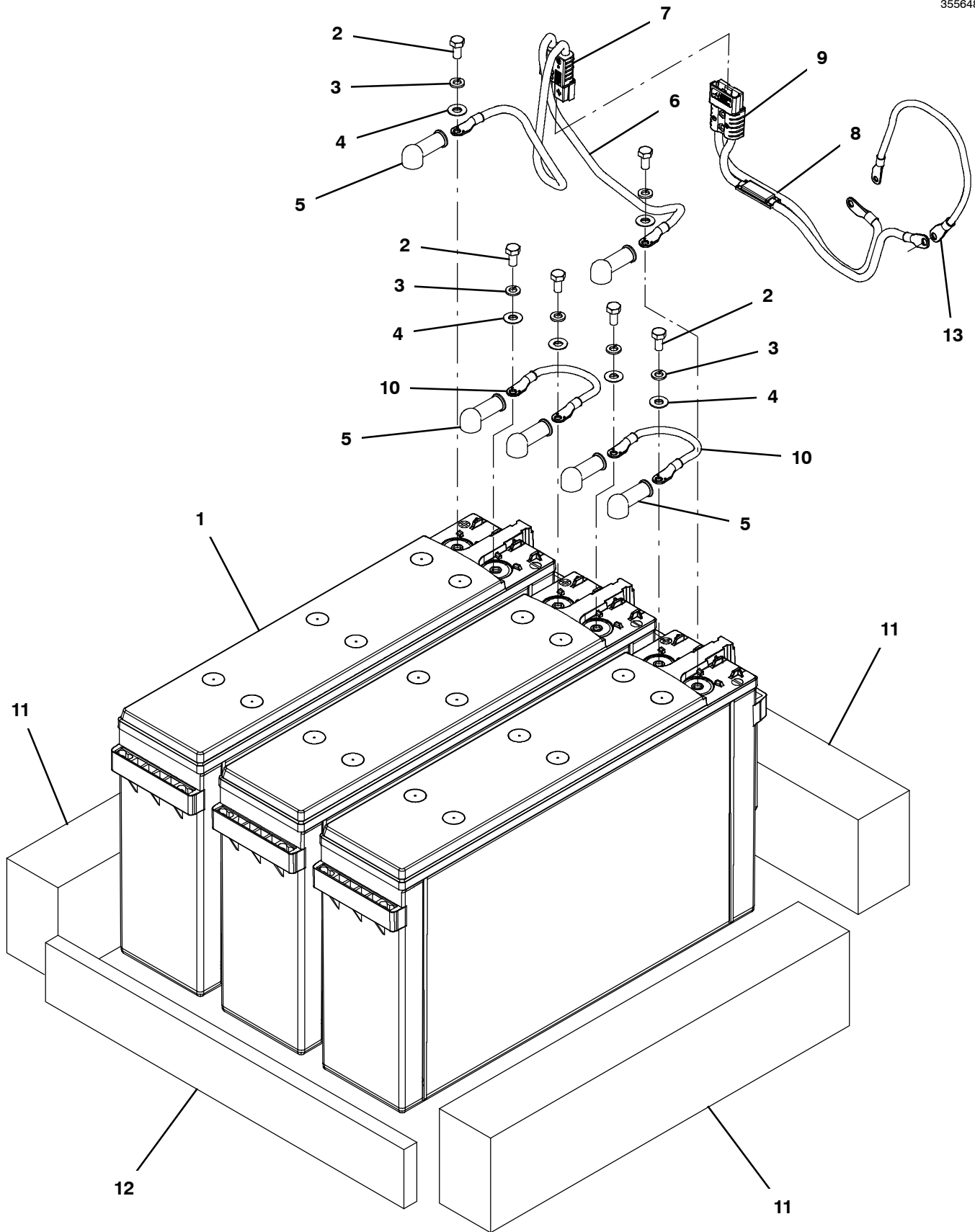
	Ref.	Part No.	Serial Number	Description	Qty.
▽	1	1070587	(10000000- 20000000)	Battery, Wet, 06vdc 0360ah, W/ Cart [Tr]	6
▲	2	87435	(10000000- 20000000)	Nut, Hex, Flexlock, .31- 18	2
	3	611221	(10000000- 20000000)	Boot, Terminal, Battery, 25.4mm, Blk	12
	4	63735	(10000000- 20000000)	Cable, 06ga 11.0l Blk .38ring /.38ring	5
▽	5	1075455	(10000000- 20000000)	Cable, Assy [T600, T600e]	1
▲	6	1238858	(10000000- 20000000)	Connector, Battery, Gray [Sb120 Grey]	1
▽	7	1075457	(10000000- 20000000)	Cable, Assy [T600,T600e, Ce]	1
▲	8	1238858	(10000000- 20000000)	Connector, Battery, Gray [Sb120 Grey]	1
	9	222473	(10000000- 20000000)	Spacer, Battery, 0.75 X 3.0 X 21.0	3
	10	1074945	(10000000- 20000000)	Cable, 04ga 15.0l Red [M8 Ring/M6 Ring] (T600 Model)	1

▽ ASSEMBLY

▲ INCLUDED IN ASSEMBLY

BATTERY GROUP, TPPL (FAST CHARGE)

355648



BATTERY GROUP, TPPL (FAST CHARGE)

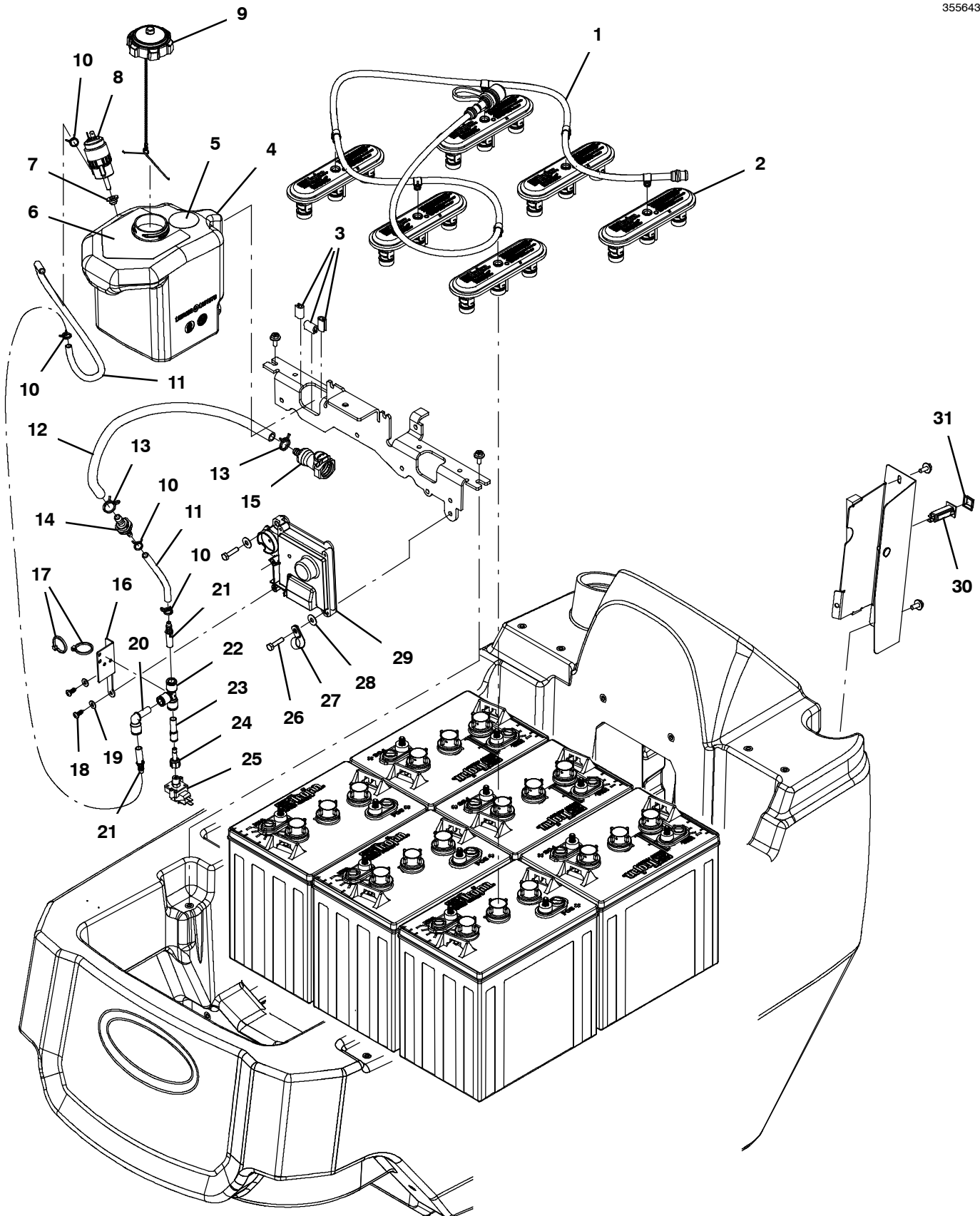
	Ref.	Part No.	Serial Number	Description	Qty.
▽	1	1238358	(10000000- 20000000)	Battery, Tppl, 12vdc, 186ah, W/cart	3
▲	2	15675	(10000000- 20000000)	Screw, Hex, M8 X 1.25 X 16, Ss	2
▲	3	140015	(10000000- 20000000)	Washer, Lock, Split, 0.31, Ss	2
▲	4	140027	(10000000- 20000000)	Washer, Flat, 0.35b 0.75d .04, Ss	2
	5	611221	(10000000- 20000000)	Boot, Terminal, Battery, 25.4mm, Blk	6
▽	6	1075455	(10000000- 20000000)	Cable, Assy [T600, T600e]	1
▲	7	1238858	(10000000- 20000000)	Connector, Battery, Gray [Sb120 Grey]	1
▽	8	1075457	(10000000- 20000000)	Cable, Assy [T600,T600e, Ce]	1
▲	9	1238858	(10000000- 20000000)	Connector, Battery, Gray [Sb120 Grey]	1
	10	223355	(10000000- 20000000)	Cable, 04ga 08.0l Blk .34ring /.34ring	2
	11	222474	(10000000- 20000000)	Spacer, Battery, Foam, 3.00 X 4.8 X 21.0	3
	12	222473	(10000000- 20000000)	Spacer, Battery, 0.75 X 3.0 X 21.0	1
	13	1074945	(10000000- 20000000)	Cable, 04ga 15.0l Red [M8 Ring/M6 Ring] (T600 Model)	1

▽ ASSEMBLY

▲ INCLUDED IN ASSEMBLY

SMART-FILL™ AUTOMATIC BATTERY WATERING GROUP

355643



SMART-FILL™ AUTOMATIC BATTERY WATERING GROUP

Ref.	Part No.	Serial Number	Description	Qty.
	1	1201997	(10000000- 20000000) Tube, Water, Battery, 36vdc [Trojan]	1
	2	1204142	(10000000- 20000000) Cap, Fill, Battery [Trojan]	6
	3	1020168	(10000000- 20000000) Molding, Afmkt, Trim, Pvc, .08 .11, 01ft	1
▽	4	9016843	(10000000- 20000000) Tank Assy, Soltn, 4.0l, Afmkt [T600,Abw]	1
▲	5	1224988	(10000000- 20000000) Label, Automated Battery Watering	1
▲	6	1228813	(10000000- 20000000) Label, Warning, No Detgt	1
▲	7	1231338	(10000000- 20000000) Grommet, Pump	1
▲	8	1231018	(10000000- 20000000) Pump, In- Tank, 13.5vdc 3.5lpm	1
	9	1235763	(10000000- 20000000) Cap, Tank, 2.25 [Blue,Vented W/Lanyard]	1
	10	613735	(10000000- 20000000) Clamp, Hose, Wir, .40 - .42, Yel	4
	11	1014985	(10000000- 20000000) Hose, Afmkt, Pvc, Clr, 0.25id, 08ft	1
	12	63182- 2	(10000000- 20000000) Hose, Pvc, Clr, 0.38id 0.56od 036.0l	1
	13	607775	(10000000- 20000000) Clamp, Hose, Wir, .63 - .66, Blk	2
	14	1225185	(10000000- 20000000) Valve, Check, 0002psi Bm04/Bm06	1
	15	1221589	(10000000- 20000000) Fitting, Plstc, Str, Bm06, Cplg, Fem[HI]	1
	16	1234378	(10000000- 20000000) Bracket, Mtg, Abw	1
	17	49263	(10000000- 20000000) Tie, Cable, Nyl, 11.4l .19w 3.0 Max D	2
	18	1018155	(10000000- 20000000) Screw, Pan, Phl, M5 X 0.80 X 16, Tcut,Ss	2
	19	01683	(10000000- 20000000) Washer, Flat, 10, Ss	2
	20	1215186	(10000000- 20000000) Fitting, Plstc, E90, Qf06/Qm06	2
	21	1212857	(10000000- 20000000) Fitting, Plstc, Str, Qm06/Bm04	2
	22	1212573	(10000000- 20000000) Fitting, Plstc, Tee, Qf06/Qf06/Qf06	1
	23	1212934	(10000000- 20000000) Fitting, Plstc, Str, Qf04/Qm06	1
	24	1231855	(10000000- 20000000) Fitting, Plstc, Str, Qm04/Pf02	1
	25	1055254	(10000000- 20000000) Switch, Press, 25 Psi, Pm02	1
	26	1016005	(10000000- 20000000) Screw, Hex, M6 X 1.00 X 25, NI, Fl, Ss	2
	27	33584	(10000000- 20000000) Clamp, Cable, Stl, 0.63d X 0.50w, 1hole	1
	28	01684	(10000000- 20000000) Washer, Flat, 0.27b 0.69d .05, Ss	2
	29	9016770*	(10000000- 20000000) Controller Kit, Battery, 24vdc, Ci [Abw]	1
	30	1064187	(10000000- 20000000) Circuitbreaker, 10.0a, Resetable (ABW Option)	1
	31	1064191	(10000000- 20000000) Boot, Circuitbreaker	1

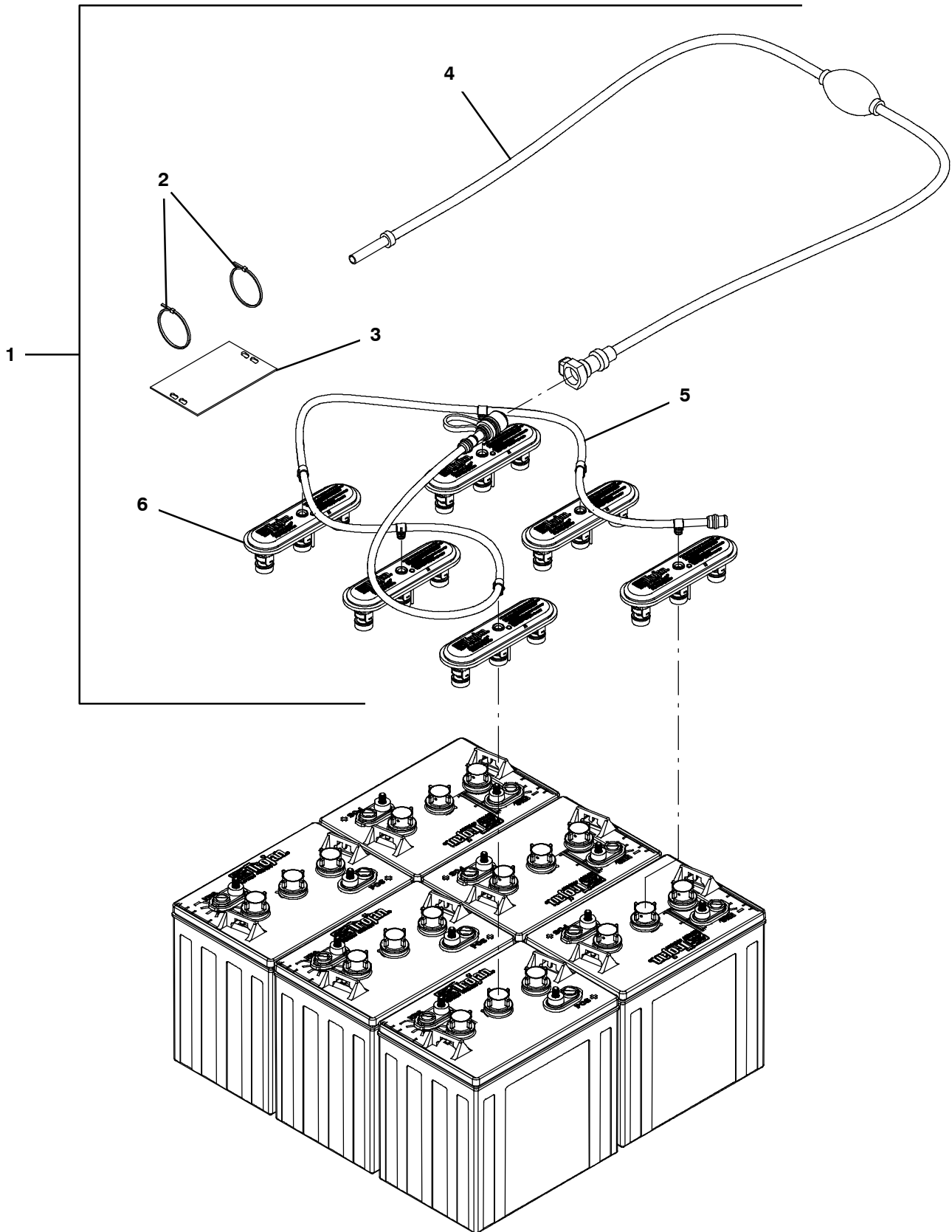
*** Requires Tennant *True* service or an authorized Tennant service provider.**

▽ ASSEMBLY

▲ INCLUDED IN ASSEMBLY

HYDROLINK® MANUAL BATTERY WATERING KIT

355644



HYDROLINK® MANUAL BATTERY WATERING KIT

	Ref.	Part No.	Serial Number	Description	Qty.
▽	1	9010301	(10000000- 20000000)	Battery Fill Kit, 36v, Ci [Hydrolink]	1
▲	2	130773	(10000000- 20000000)	Tie, Cable, Nyl, 11.0l, .14w, 3.0 Max. D	2
▲	3	1071084	(10000000- 20000000)	Label, Tag, Battery [Hydrolink Watering]	1
▲	4	1058939	(10000000- 20000000)	Pump Kit, Fill, Battery	1
▲	5	1201997	(10000000- 20000000)	Tube, Water, Battery, 36vdc [Trojan]	1
▲	6	1204142	(10000000- 20000000)	Cap, Fill, Battery [Trojan]	6

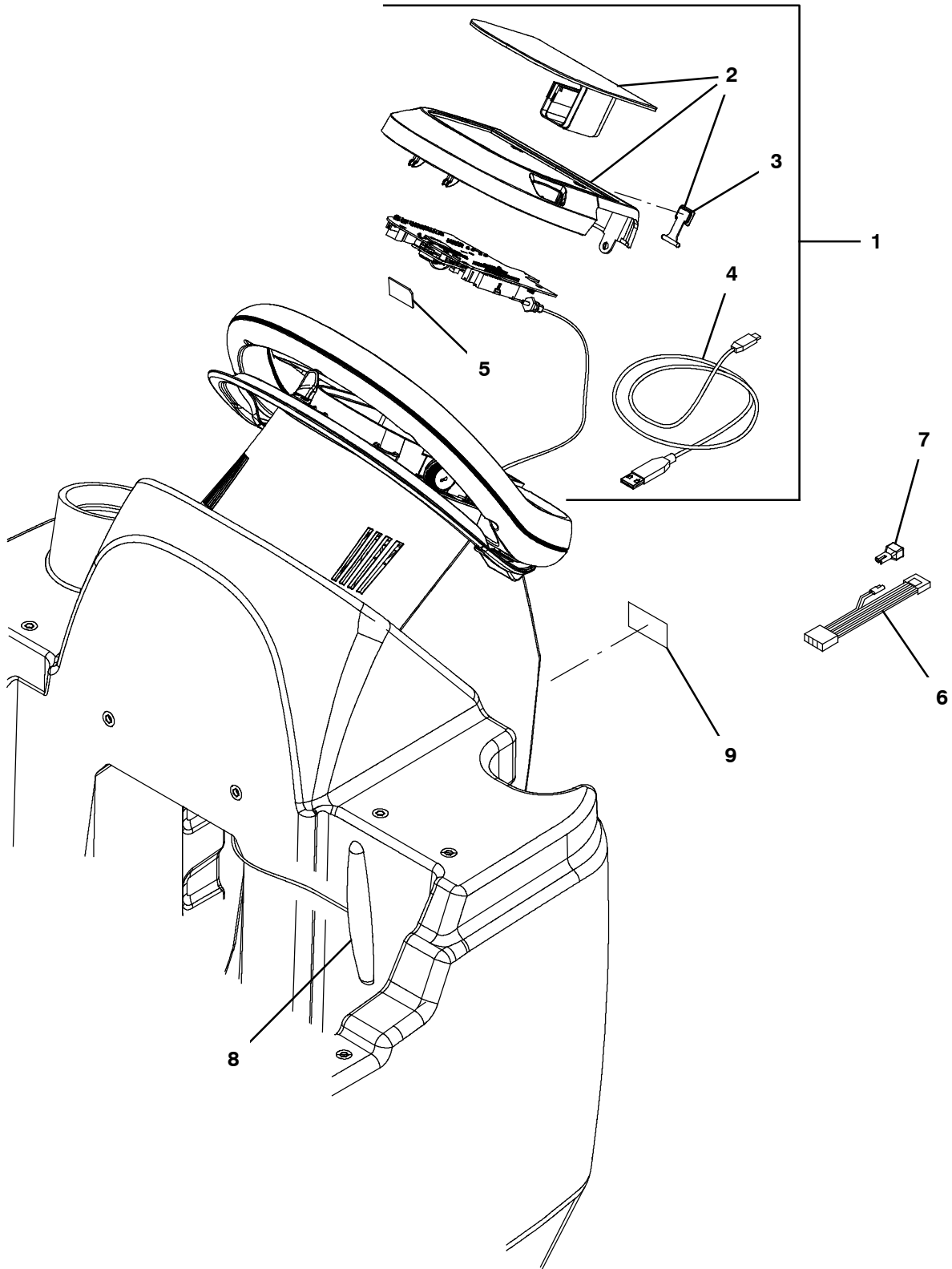
▽ ASSEMBLY

▲ INCLUDED IN ASSEMBLY

HYDROLINK® IS A REGISTERED TRADEMARK OF TROJAN BATTERY COMPANY.

TELEMETRY GROUP (T600e MODEL)

355652



TELEMETRY GROUP (T600e MODEL)

	Ref.	Part No.	Serial Number	Description	Qty.
▽	1	9016980*	(10000000- 20000000)	Bezel Kit, Membrane, Telem, Ci [T600e]	1
▲▽	2	9015781	(10000000- 20000000)	Screen Kit, Membrane, Ci [T500e]	1
▲▲	3	1205618	(10000000- 20000000)	Cap, Usb	1
▲	4	1071235	(10000000- 20000000)	Cable [Usb, 2m, A- Male To Mini- B- Male]	1
	5	9014186	(10000000- 20000000)	Kit, Telem, Ci [Sim, Usa, T300]	1
	5	9014187	(10000000- 20000000)	Kit, Telem, Ci [Sim, Intl, T300]	1
	6	1075195	(10000000- 20000000)	Harness, Ele, Adaptor [T300, Amii]	1
	7	222290	(10000000- 20000000)	Diode, Ele, Plug	1
	8	315724	(10000000- 20000000)	Antenna, Telem, 18.0 In [Gprs]	1
	9	1069580	(10000000- 20000000)	Label, Mach, Telem [Usa, Intl]	1

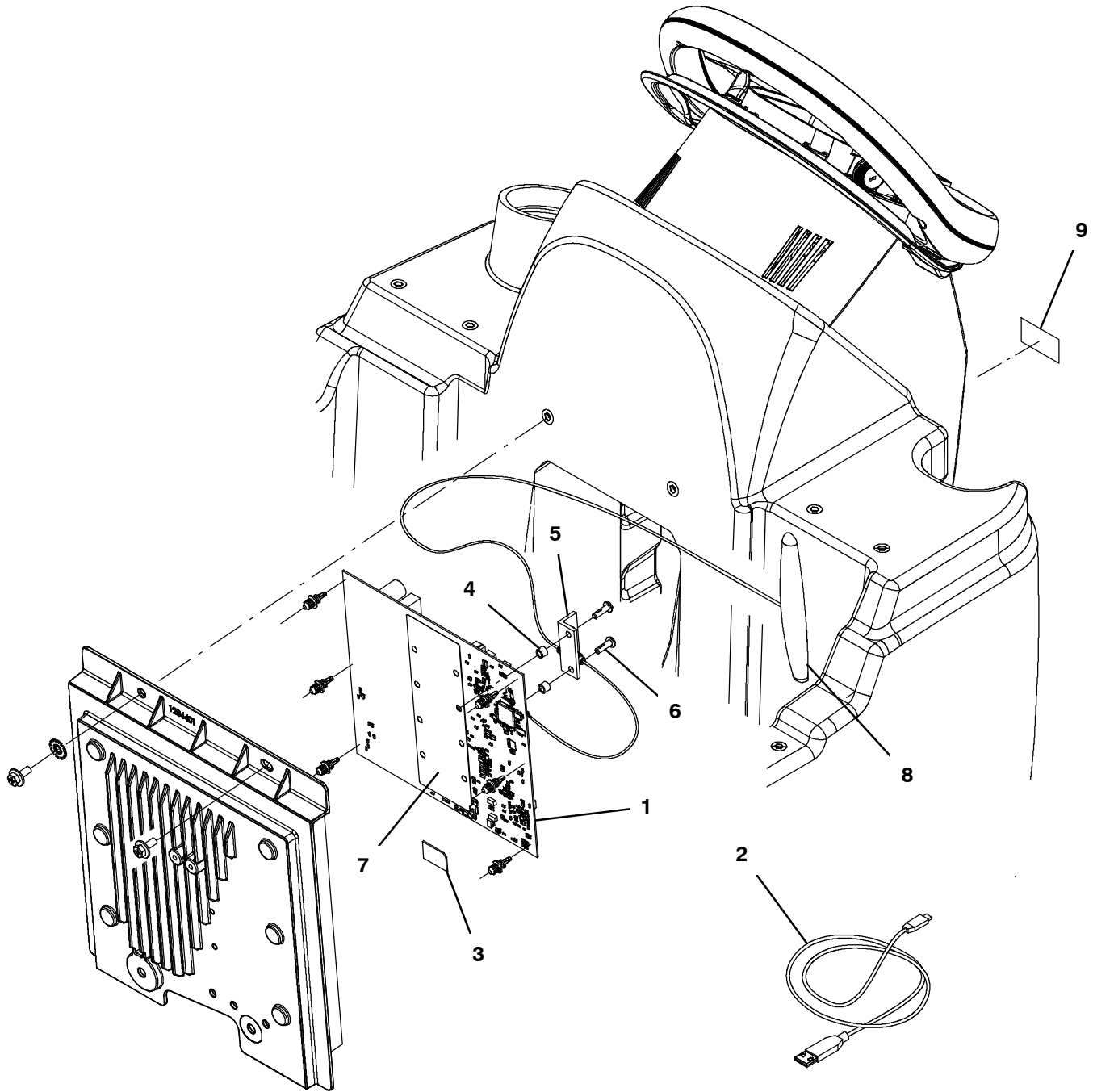
* Requires Tennant *True* service or an authorized Tennant service provider.

▽ ASSEMBLY

▲ INCLUDED IN ASSEMBLY

TELEMETRY GROUP (T600 MODEL)

355651



TELEMETRY GROUP (T600 MODEL)

Ref.	Part No.	Serial Number	Description	Qty.
▽	1	9017503*	(10000000- 20000000) Circuitboard Kit, W/Telem, Ci [T600]	1
▲		27964	(10000000- 20000000) Strap, Ground, Static, Disposable	1
▲	2	1071235	(10000000- 20000000) Cable [Usb, 2m, A- Male To Mini- B- Male]	1
	3	9014186	(10000000- 20000000) Kit, Telem, Ci [Sim, Usa, T300]	1
	3	9014187	(10000000- 20000000) Kit, Telem, Ci [Sim, Intl, T300]	1
	4	1227815	(10000000- 20000000) Spacer, Unthreaded, Aluminium	2
	5	1227812	(10000000- 20000000) Bracket, Sma Connector	1
	6	1205799	(10000000- 20000000) Screw, Btn, M5 X 0.8 X 16, 8.8, NI, Torx	2
	7	1220930	(10000000- 20000000) Circuitboard, Silpad [T500, Main Scrub]	1
	8	315724	(10000000- 20000000) Antenna, Telem, 18.0 In [Gprs]	1
	9	1069580	(10000000- 20000000) Label, Mach, Telem [Usa, Intl]	1

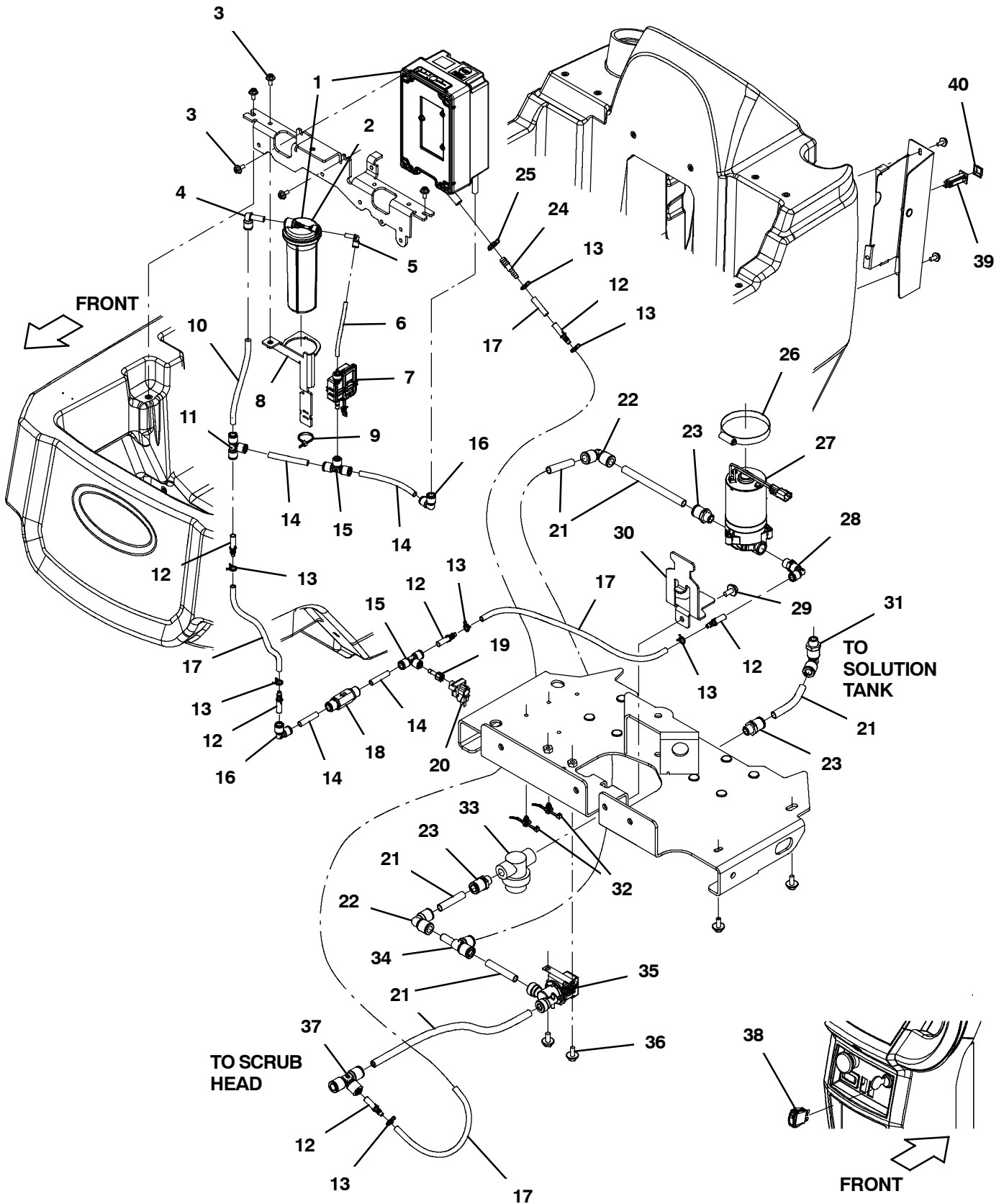
* Requires Tennant *True* service or an authorized Tennant service provider.

▽ ASSEMBLY

▲ INCLUDED IN ASSEMBLY

ec-H2O SOLUTION GROUP

355635



ec-H2O SOLUTION GROUP

Ref.	Part No.	Serial Number	Description	Qty.
▽	1	9011810*	(10000000- 20000000) Module Kit, Replmt [Ec- H2o, B 02] (See Breakdowns)	1
▲	2	9013646	(10000000- 20000000) Cartridge, Ec- H2o Nanoclean Wcm, 270ml	1
	3	1034731	(10000000- 20000000) Screw, Hex, M6 X 1.00 X 16, Sems, Ss	4
	4	1215186	(10000000- 20000000) Fitting, Plstc, E90, Qf06/Qm06	1
	5	1214339	(10000000- 20000000) Fitting, Plstc, E90, Qfo4/Qm04	1
	6	9014147	(10000000- 20000000) Hose, Afmkt, Pvc, 0.06id .25od, 05ft	1
	7	1216973	(10000000- 20000000) Pump Assy, Dispenser	1
	8	1221926	(10000000- 20000000) Bracket Wldt, Mtg, Ec- H20 [T500]	1
	9	130773	(10000000- 20000000) Tie, Cable, Nyl, 11.0l, .14w, 3.0 Max. D	1
	10	9014146	(10000000- 20000000) Hose, Afmkt, Pvc, 0.06id .38od, 05ft	1
	11	1212573	(10000000- 20000000) Fitting, Plstc, Tee, Qf06/Qf06/Qf06	1
	12	1212857	(10000000- 20000000) Fitting, Plstc, Str, Qm06/Bm04	6
	13	613735	(10000000- 20000000) Clamp, Hose, Wir, .40 - .42, Yel	7
	14	9014148	(10000000- 20000000) Hose, Afmkt, Nat, 0.25id 0.375od, 06ft	1
	15	1212855	(10000000- 20000000) Fitting, Plstc, Tee, Qf04/Qf06/Qf06	2
	16	1212856	(10000000- 20000000) Fitting, Plstc, E90, Qf06/Qf06	1
	17	1014985	(10000000- 20000000) Hose, Afmkt, Pvc, Clr, 0.25id, 08ft	1
	18	1215527	(10000000- 20000000) Valve, Check, 1.0 Psi Qf06/Qf06	1
	19	1231855	(10000000- 20000000) Fitting, Plstc, Str, Qm04/Pf02	1
	20	1044415	(10000000- 20000000) Switch, Press, 20psi, Pm02	1
	21	9014145	(10000000- 20000000) Hose, Afmkt, Pe, .375id .50od, 05ft	1
	22	1221945	(10000000- 20000000) Fitting, Plstc, E90, Qf08/Qf08	2
	23	1212813	(10000000- 20000000) Fitting, Plstc, Str, Qf08/Pm06	3
	24	1039557	(10000000- 20000000) Fitting, Plstc, Str, Bm04/Bm06	1
	25	607775	(10000000- 20000000) Clamp, Hose, Wir, .63 - .66, Blk	1
	26	43555	(10000000- 20000000) Clamp, Hose, Wormdrive, 2.62- 3.50d	1
	27	1210517	(10000000- 20000000) Pump, Soltn, Ele, 24vdc, 35 Psi	1
	28	1212812	(10000000- 20000000) Fitting, Plstc, E90, Qf06/Pm06, Swivel	1
	29	1020341	(10000000- 20000000) Screw, Hex, M8 X 1.25 X 20, Ss, Sems	1
	30	1229972	(10000000- 20000000) Bracket, Mtg, Pump	1
	31	1212987	(10000000- 20000000) Fitting, Plstc, E90, Qf08/Pm06, Swivel	1
	32	1210807	(10000000- 20000000) Wire, Tie [W/.25" Fir Tree Clip]	2
▽	33	1211537	(10000000- 20000000) Filter, In- Line, Pf06/Pf06 080m 2.6l Epd	1
▲		1218885	(10000000- 20000000) Gasket [Epdm, F/1211537]	1
▲		1218883	(10000000- 20000000) Screen, Fltr, 80 Mesh, Ss [W/ Cage]	1
▲		613991	(10000000- 20000000) Bowl, Clr, Short, F/1005302	1
	34	1212806	(10000000- 20000000) Fitting, Plstc, Tee, Qf08/Qf08/Qm08	1
	35	1228697	(10000000- 20000000) Valve, Water, Solenoid, 36vdc Qf08/Qf08	1
	36	1020341	(10000000- 20000000) Screw, Hex, M8 X 1.25 X 20, Ss, Sems	2
	37	1212875	(10000000- 20000000) Fitting, Plstc, Tee, Qf06/Qf08/Qf08	1
	38	1044393	(10000000- 20000000) Switch, Rocker, Spst, Mom (ecH2O Option)	1
	39	1064187	(10000000- 20000000) Circuitbreaker, 10.0a, Resetable (ecH2O Option)	1
	40	1064191	(10000000- 20000000) Boot, Circuitbreaker	1

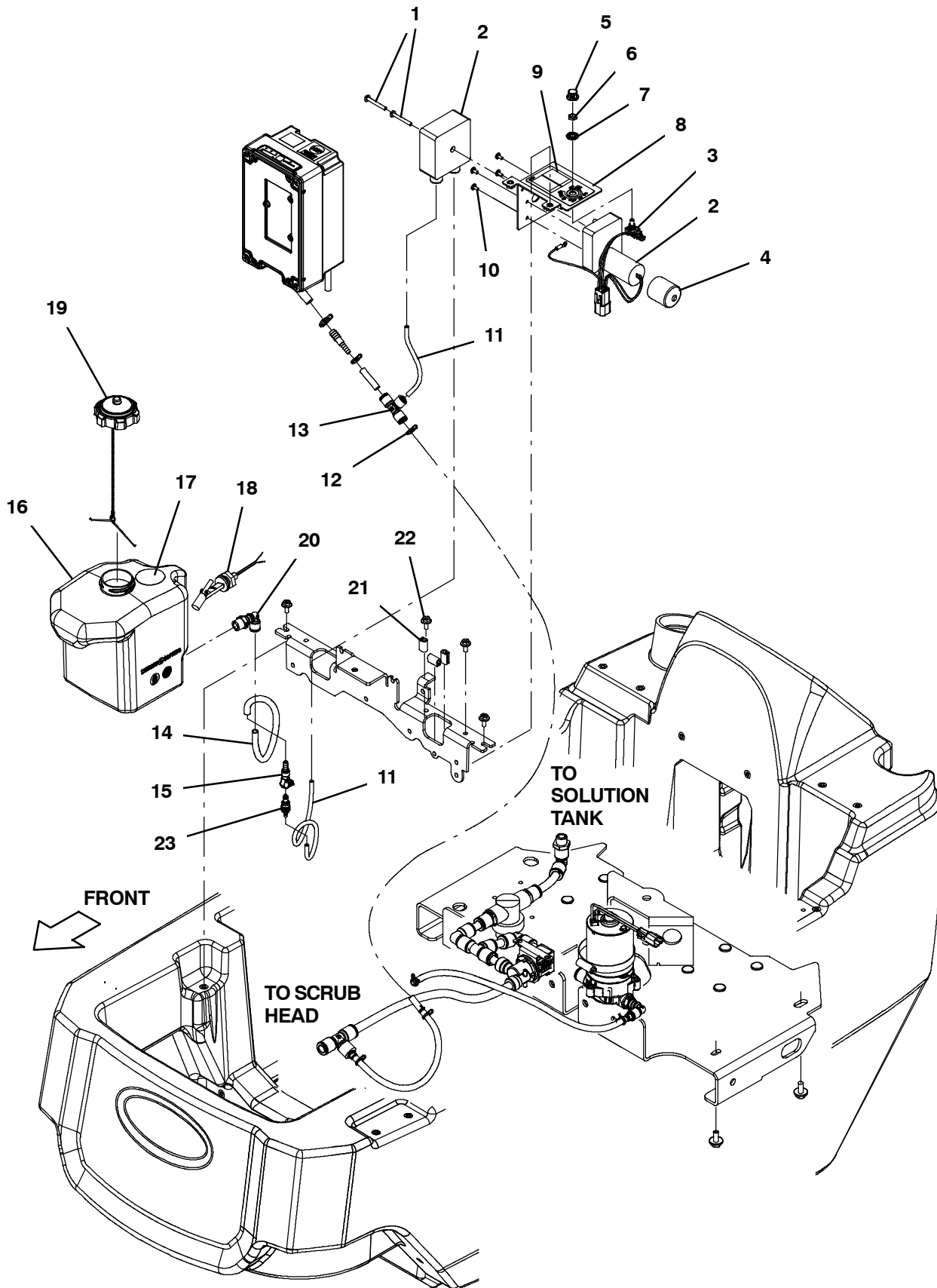
* Requires Tennant *True* service or an authorized Tennant service provider.

▽ ASSEMBLY

▲ INCLUDED IN ASSEMBLY

SEVERE ENVIRONMENT SOLUTION GROUP

355636



SEVERE ENVIRONMENT SOLUTION GROUP

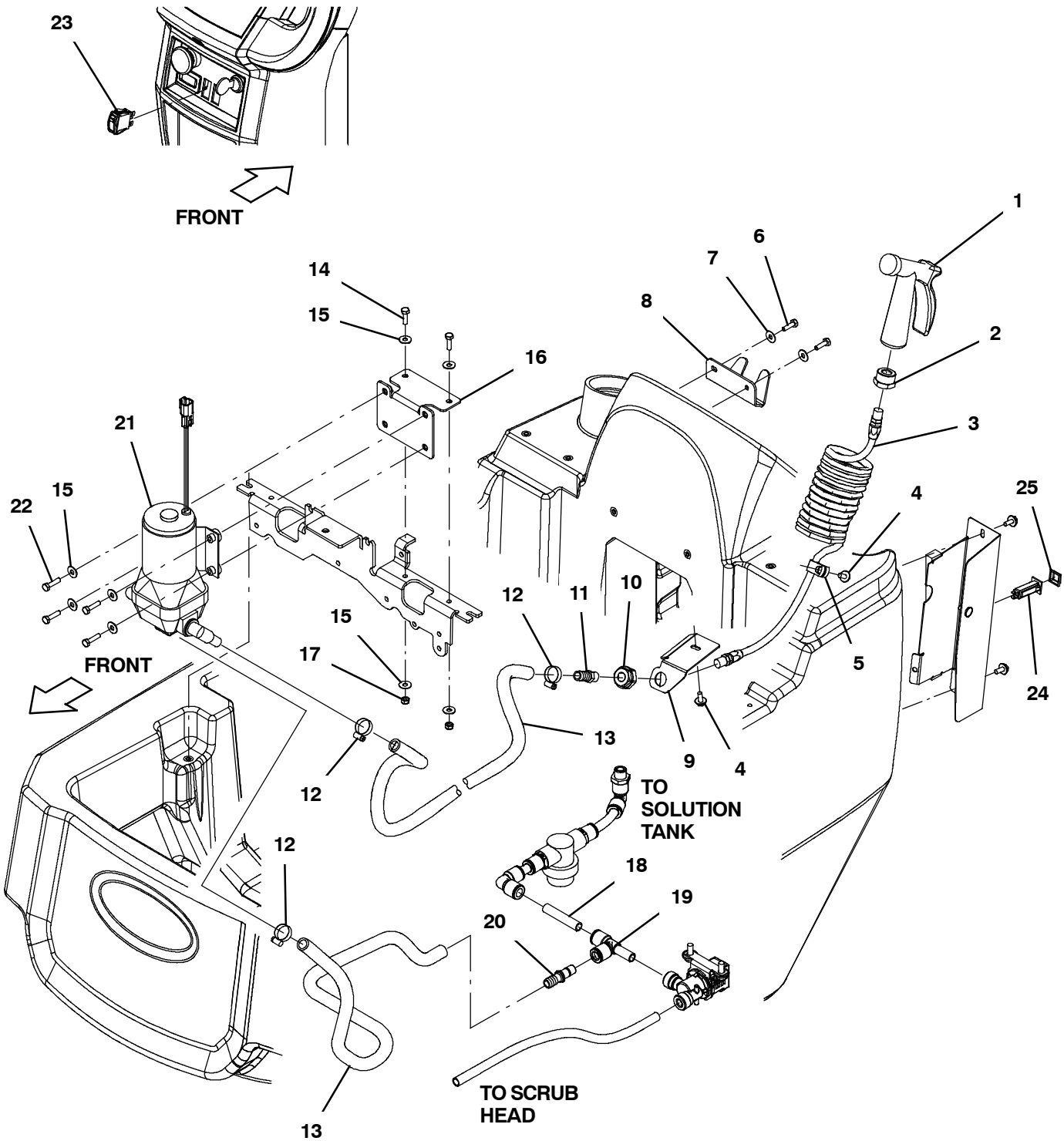
Ref.	Part No.	Serial Number	Description	Qty.
	1	17185	(10000000- 20000000) Screw, Pan, Phl, M5 X 0.80 X 40, Ss	2
▽	2	1215698	(10000000- 20000000) Pump Assy, Detgt, 24 Vdc [T300]	1
▲		1208721	(10000000- 20000000) Pump, Detgt, 24vdc, 120rpm	1
▲		1219077	(10000000- 20000000) Hose Kit, Detgt [0.5cc]	1
▲	3	1211775	(10000000- 20000000) Potentiometer [5k, W/Leads And Conn.]	1
	4	605064	(10000000- 20000000) Cap, Vinyl, 1.38 D 1.6l	1
	5	630265	(10000000- 20000000) Knob, Rnd, 0.75d 0.50l 0.25b, Plstc	1
	6	222607	(10000000- 20000000) Nut, Hex, Thin, .38- 32	1
	7	43953	(10000000- 20000000) Washer, Lock, Int, 0.38, Ss	1
▽	8	9016841	(10000000- 20000000) Bracket, Pump, Detgt, Afmkt [T600]	1
▲	9	1210440	(10000000- 20000000) Label, Opertnl, Detergent Metering	1
	10	609980	(10000000- 20000000) Screw, Trs, Phl, 08- 32 X 0.38, Sems	4
	11	613461	(10000000- 20000000) Hose, Pvc, Clr, 0.12id 0.25od 048.0l	1
	12	613735	(10000000- 20000000) Clamp, Hose, Wir, .40 - .42, Yel	1
	13	1212855	(10000000- 20000000) Fitting, Plstc, Tee, Qf04/Qf06/Qf06	1
	14	1006415	(10000000- 20000000) Hose, Afmkt, Pvc, Clr, 0.25id, 03ft	1
	15	1230862	(10000000- 20000000) Fitting, Plstc, Str, Bm04/Cplg Female	1
▽	16	9016842	(10000000- 20000000) Tank, Soltn, 4.0l, Afmkt [T600, Se]	1
▲	17	1224989	(10000000- 20000000) Label, Detergent Metering Tank	1
▲	18	1212430	(10000000- 20000000) Sensor, Level, Liq, 30watt, Spst	1
▲	19	1236124	(10000000- 20000000) Cap, Tank, 2.25 [Blk, Vented W/Lanyard]	1
	20	1212812	(10000000- 20000000) Fitting, Plstc, E90, Qf06/Pm06, Swivel	1
	21	1020168	(10000000- 20000000) Molding, Afmkt, Trim, Pvc, .08 .11, 01ft	1
	22	1034731	(10000000- 20000000) Screw, Hex, M6 X 1.00 X 16, Sems, Ss	2
	23	1230863	(10000000- 20000000) Fitting, Plstc, Str, Bm02/Cplg Male	1

▽ ASSEMBLY

▲ INCLUDED IN ASSEMBLY

RECOVERY TANK RINSE, WITH CONVENTIONAL (T600 MODEL)

355658

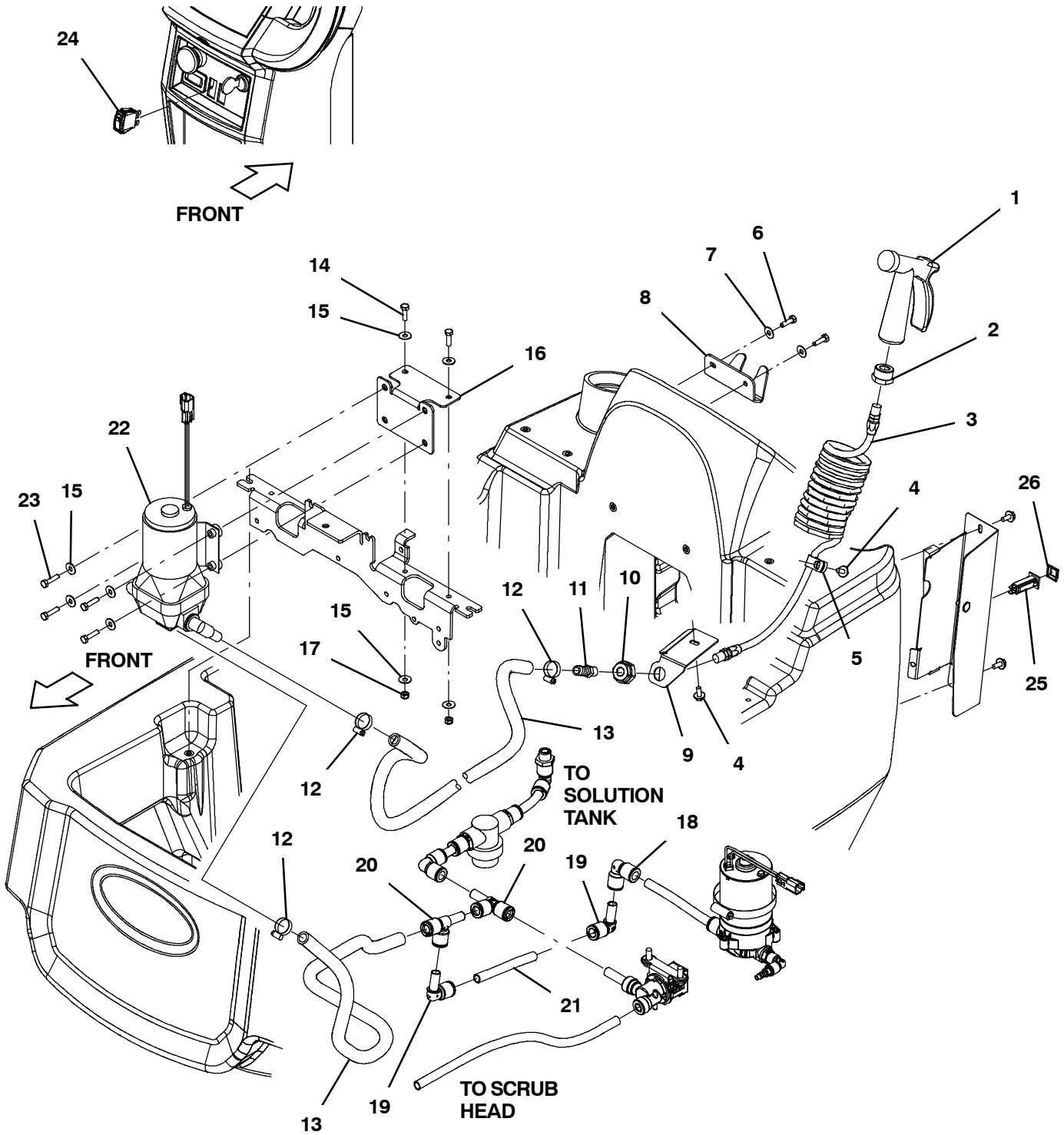


RECOVERY TANK RINSE, WITH CONVENTIONAL (T600 MODEL)

Ref.	Part No.	Serial Number	Description	Qty.
1	769785	(10000000- 20000000)	Nozzle, Spray, Hand	1
2	1220554	(10000000- 20000000)	Fitting, Brs, Str, Pf04/Garden Hose	1
3	160132	(10000000- 20000000)	Hose Assy, 0.25id X 12ft Coil	1
4	1034731	(10000000- 20000000)	Screw, Hex, M6 X 1.00 X 16, Sems, Ss	2
5	40678	(10000000- 20000000)	Clamp, Cable, Stl, 0.44d X 0.62w, 1hole	1
6	12277	(10000000- 20000000)	Screw, Hex, M6 X 1.00 X 20, NI, Ss	2
7	01684	(10000000- 20000000)	Washer, Flat, 0.27b 0.69d .05, Ss	2
8	1228493	(10000000- 20000000)	Bracket, Nozzle, Spray	1
9	1230338	(10000000- 20000000)	Bracket, Mtg, Hose	1
10	78122	(10000000- 20000000)	Fitting, Brs, Str, Pm08/Pf04	1
11	1010775	(10000000- 20000000)	Fitting, Plstc, Str, Bm08/Pm04, Nyl	1
12	54333	(10000000- 20000000)	Clamp, Hose, Wormdrive, 0.31- 0.88d, .31w	3
13	1011837	(10000000- 20000000)	Hose, Afmkt, Pvc, Brd, 0.50id, 12ft, Clr	1
14	08716	(10000000- 20000000)	Screw, Hex, M6 X 1.00 X 20, Ss	2
15	01684	(10000000- 20000000)	Washer, Flat, 0.27b 0.69d .05, Ss	8
16	1229579	(10000000- 20000000)	Bracket, Pump, Spray	1
17	08712	(10000000- 20000000)	Nut, Hex, Lock, M5 X 0.80, NI, Ss	2
18	9014145	(10000000- 20000000)	Hose, Afmkt, Pe, .375id .50od, 05ft (Bulk 1212862)	1
19	1212806	(10000000- 20000000)	Fitting, Plstc, Tee, Qf08/Qf08/Qm08	1
20	1212807	(10000000- 20000000)	Fitting, Plstc, Str, Qm08/Bm08	1
21	1054178	(10000000- 20000000)	Pump, Soltn, Ele, 36vdc, 45psi	1
22	1016005	(10000000- 20000000)	Screw, Hex, M6 X 1.00 X 25, NI, FI, Ss	2
23	1044393	(10000000- 20000000)	Switch, Rocker, Spst, Mom (Rinse Option)	1
24	1064188	(10000000- 20000000)	Circuitbreaker, 15.0a, Resetable (Rinse Option)	1
25	1064191	(10000000- 20000000)	Boot, Circuitbreaker	1

RECOVERY TANK RINSE, WITH ec- H2O (T600 MODEL)

355639

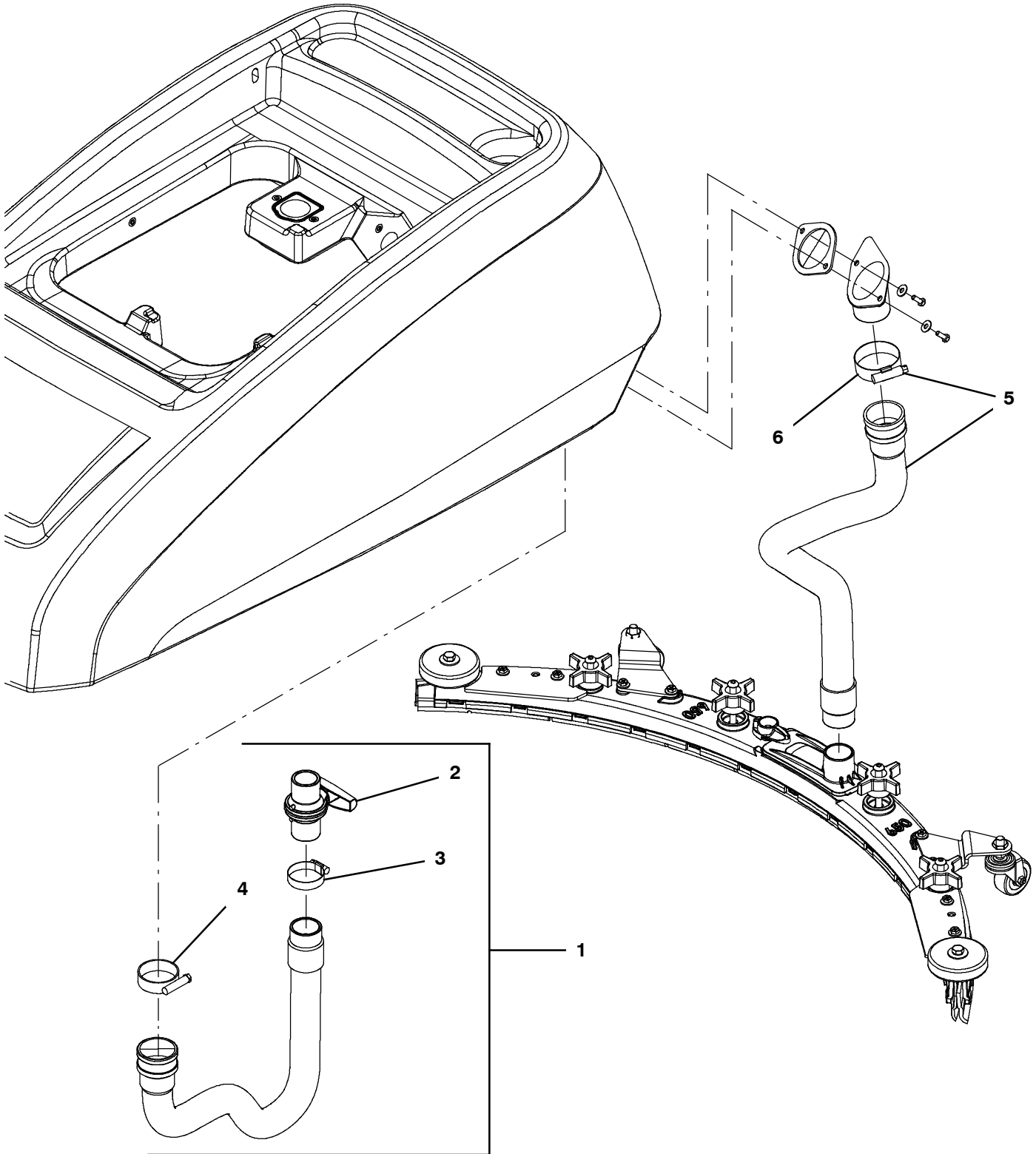


RECOVERY TANK RINSE, WITH ec- H2O (T600 MODEL)

Ref.	Part No.	Serial Number	Description	Qty.
1	769785	(10000000- 20000000)	Nozzle, Spray, Hand	1
2	1220554	(10000000- 20000000)	Fitting, Brs, Str, Pf04/Garden Hose	1
3	160132	(10000000- 20000000)	Hose Assy, 0.25id X 12ft Coil	1
4	1034731	(10000000- 20000000)	Screw, Hex, M6 X 1.00 X 16, Sems, Ss	2
5	40678	(10000000- 20000000)	Clamp, Cable, Stl, 0.44d X 0.62w, 1hole	1
6	12277	(10000000- 20000000)	Screw, Hex, M6 X 1.00 X 20, NI, Ss	2
7	01684	(10000000- 20000000)	Washer, Flat, 0.27b 0.69d .05, Ss	2
8	1228493	(10000000- 20000000)	Bracket, Nozzle, Spray	1
9	1230338	(10000000- 20000000)	Bracket, Mtg, Hose	1
10	78122	(10000000- 20000000)	Fitting, Brs, Str, Pm08/Pf04	1
11	1010775	(10000000- 20000000)	Fitting, Plstc, Str, Bm08/Pm04, Nyl	1
12	54333	(10000000- 20000000)	Clamp, Hose, Wormdrive, 0.31- 0.88d, .31w	3
13	1011837	(10000000- 20000000)	Hose, Afmkt, Pvc, Brd, 0.50id, 12ft, Clr	1
14	08716	(10000000- 20000000)	Screw, Hex, M6 X 1.00 X 20, Ss	2
15	01684	(10000000- 20000000)	Washer, Flat, 0.27b 0.69d .05, Ss	8
16	1229579	(10000000- 20000000)	Bracket, Pump, Spray	1
17	08712	(10000000- 20000000)	Nut, Hex, Lock, M5 X 0.80, NI, Ss	2
18	1221945	(10000000- 20000000)	Fitting, Plstc, E90, Qf08/Qf08	1
19	1212809	(10000000- 20000000)	Fitting, Plstc, E90, Qf08/Qm08	2
20	1212806	(10000000- 20000000)	Fitting, Plstc, Tee, Qf08/Qf08/Qm08	2
21	9014145	(10000000- 20000000)	Hose, Afmkt, Pe, .375id .50od, 05ft (Bulk 1212862)	1
22	1054178	(10000000- 20000000)	Pump, Soltn, Ele, 36vdc, 45psi	1
23	1016005	(10000000- 20000000)	Screw, Hex, M6 X 1.00 X 25, NI, FI, Ss	4
24	1044393	(10000000- 20000000)	Switch, Rocker, Spst, Mom (Rinse Option)	1
25	1064188	(10000000- 20000000)	Circuitbreaker, 15.0a, Resetable (Rinse Option)	1
26	1064191	(10000000- 20000000)	Boot, Circuitbreaker	1

RECOVERY TANK HOSE GROUP, VALVE

355611



RECOVERY TANK HOSE GROUP, VALVE

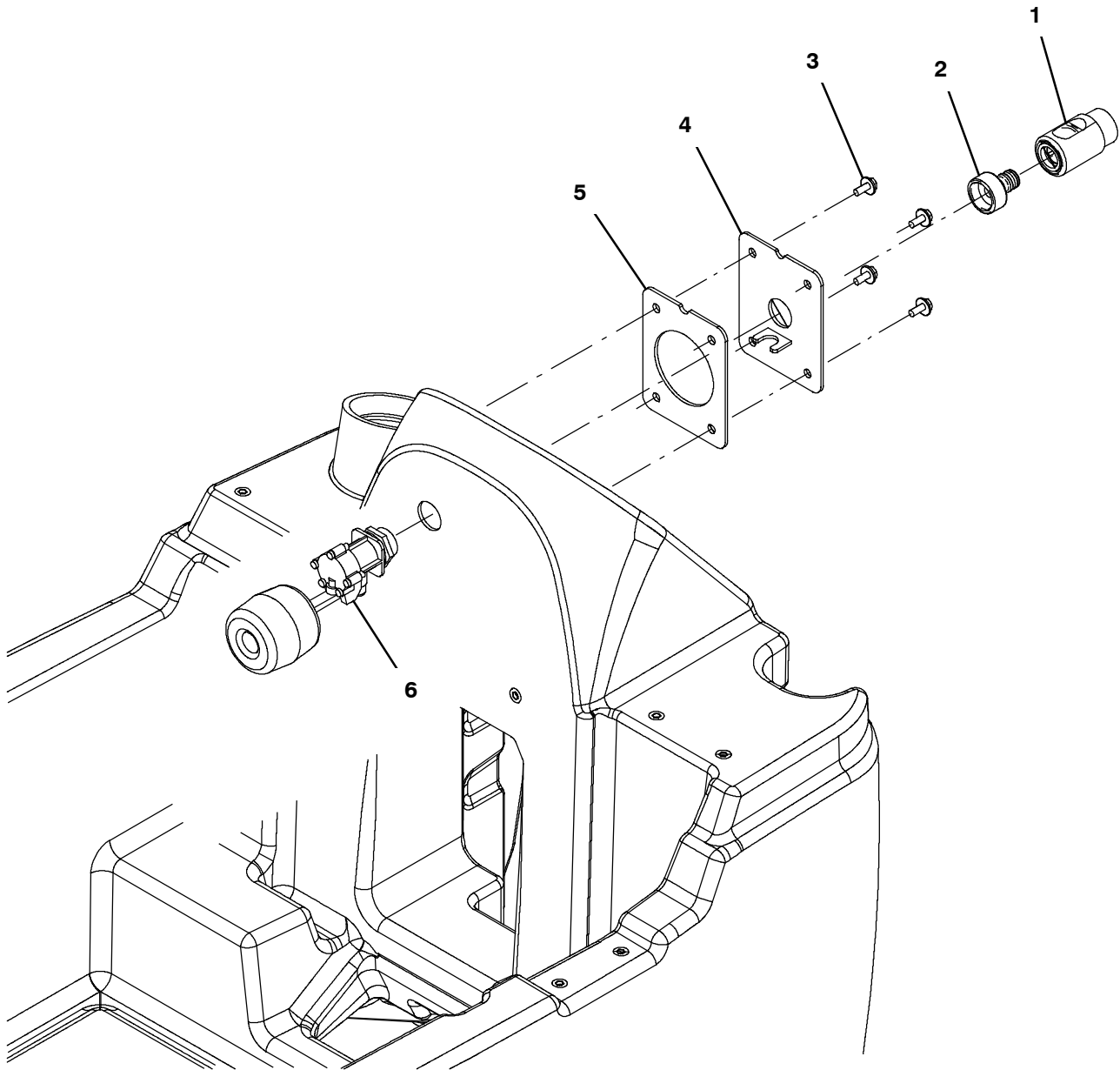
	Ref.	Part No.	Serial Number	Description	Qty.
▽	1	9017510	(10000000- 20000000)	Hose Kit, Drain, W/Valve, Pu, Ci [T600] (Gray)	1
▲	2	1051986	(10000000- 20000000)	Valve, Ball, 2way, 1.0id Pvc, W/Handle	1
▲	3	11531	(10000000- 20000000)	Clamp, Hose, Wormdrive, 1.06- 2.00d, .56w	1
▲	4	22297	(10000000- 20000000)	Clamp, Hose, Wormdrive, 1.56- 2.50d, .50w	1
▽	5	9017506	(10000000- 20000000)	Hose Kit, Recvy, Pu, Ci [T600/T600e] (Gray)	1
▲	6	22297	(10000000- 20000000)	Clamp, Hose, Wormdrive, 1.56- 2.50d, .50w	1

▽ ASSEMBLY

▲ INCLUDED IN ASSEMBLY

SOLUTION TANK AUTO-FILL KIT

355616



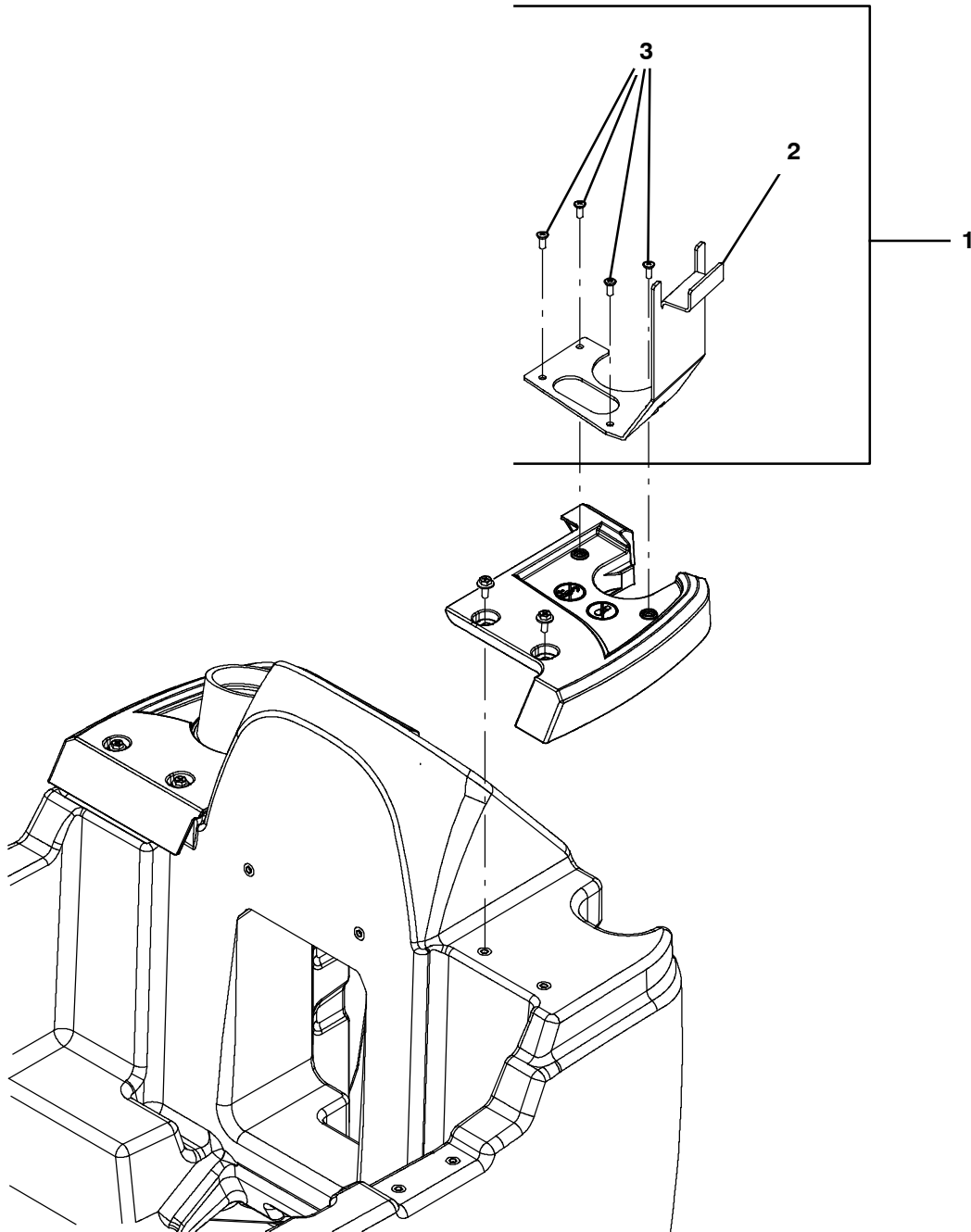
Ref.	Part No.	Serial Number	Description	Qty.
▽	9042171	(10000000-20000000)	Parts Kit, Autofill, Ci [T600e]	1
▲	1 1227512	(10000000-20000000)	Fitting, Plstc, Qd, Female	1
▲	2 1227400	(10000000-20000000)	Fitting, Plstc, Qd, Male	1
▲	3 1034731	(10000000-20000000)	Screw, Hex, M6 X 1.00 X 16, Sems, Ss	4
▲	4 1231938	(10000000-20000000)	Bracket Wldt, Fill, Auto	1
▲	5 1228286	(10000000-20000000)	Gasket, Bracket, Fill, Auto	1
▲	6 1219566	(10000000-20000000)	Valve, Float, 6.7gpm	1

▽ ASSEMBLY

▲ INCLUDED IN ASSEMBLY

TALL WET FLOOR SIGN HANGER KIT

355664



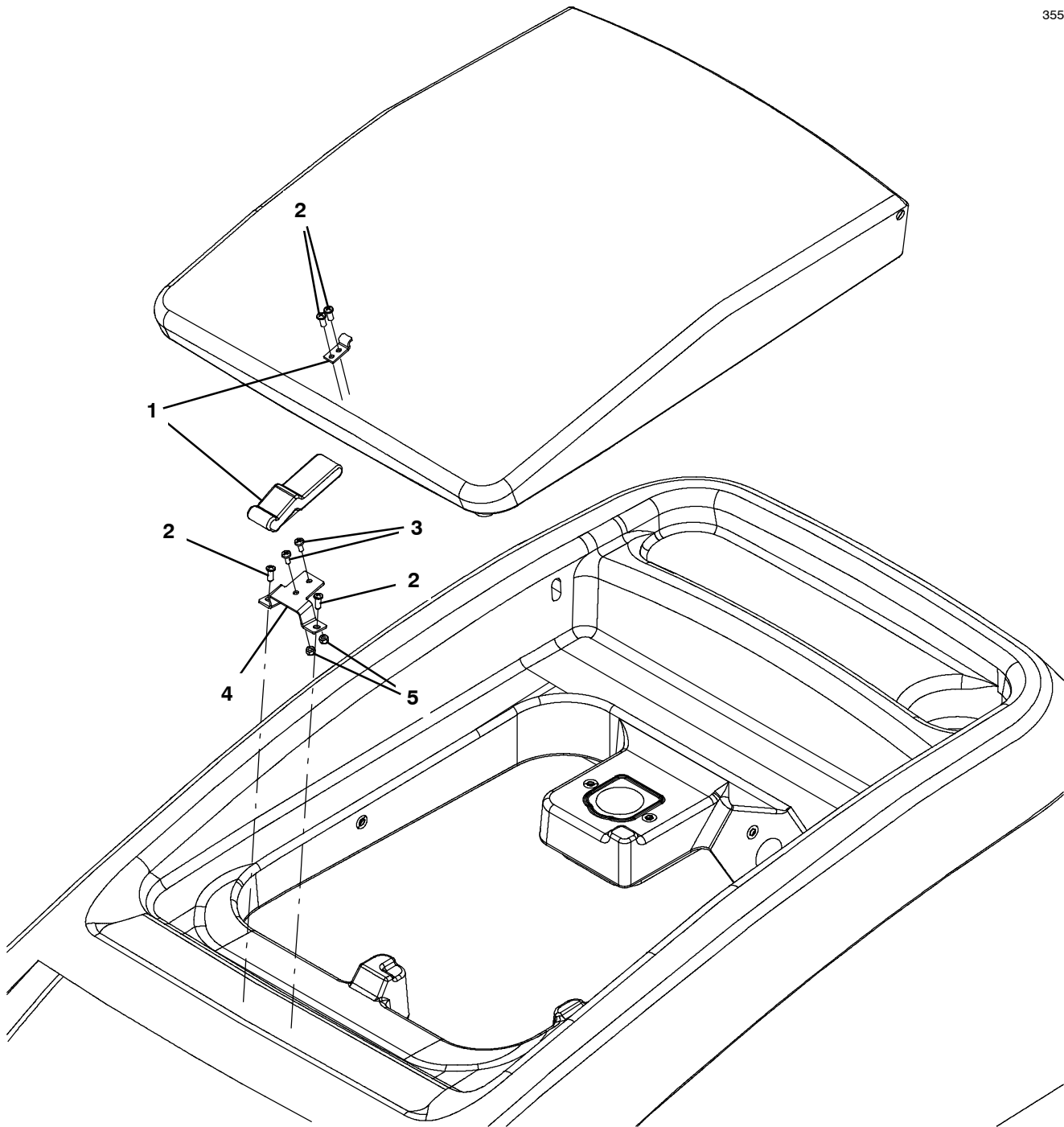
	Ref.	Part No.	Serial Number	Description	Qty.
▽	1	9016988	(10000000- 20000000)	Support Kit, Sign, Ci [T600]	1
▲	2	1237354	(10000000- 20000000)	Bracket Wldt, Hanger, Sign [T600]	1
▲	3	360973	(10000000- 20000000)	Screw, Pan, Phl, 12- 16 X 0.50, F/ Plstc	4

▽ ASSEMBLY

▲ INCLUDED IN ASSEMBLY

TRANSPORT KIT

355621



Ref.	Part No.	Serial Number	Description	Qty.
▽	9042166	(10000000-20000000)	Transport Kit, Ci [T600/T600e]	1
▲ 1	140932	(10000000-20000000)	Latch, Draw, Rbr, W/ Keeper, Fr/49800	1
▲ 2	140825	(10000000-20000000)	Screw, Pan, Phl, 06 X 0.50, Fmg/Ab, Blk	4
▲ 3	49697	(10000000-20000000)	Screw, Pan, Phl, M4 X 0.70 X 10, Ss	2
▲ 4	1230140	(10000000-20000000)	Bracket, Mtg, Latch	1
▲ 5	33932	(10000000-20000000)	Nut, Hex, Lock, M4 X 0.70, NI, Ss	2

▽ ASSEMBLY

▲ INCLUDED IN ASSEMBLY

DOCUMENTATION GROUP

Ref.	Part No.	Serial Number	Description	Qty.
9016599		(10000000- 20000000)	Manual, Parts [T600/T600e, Na]	1
9016600		(10000000- 20000000)	Manual, Oprtr [T600/T600e, En,Na]	1
9016601		(10000000- 20000000)	Manual, Oprtr [T600/T600e, Es,Na]	1
9016602		(10000000- 20000000)	Manual, Oprtr [T600/T600e, Fr,Na]	1
9016603		(10000000- 20000000)	Manual, Oprtr [T600/T600e, Ptbr]	1
9016604		(10000000- 20000000)	Instr, Wall Chart [T600/T600e, Na]	1
9016605		(10000000- 20000000)	Manual, Service [T600/T600e, En]	1

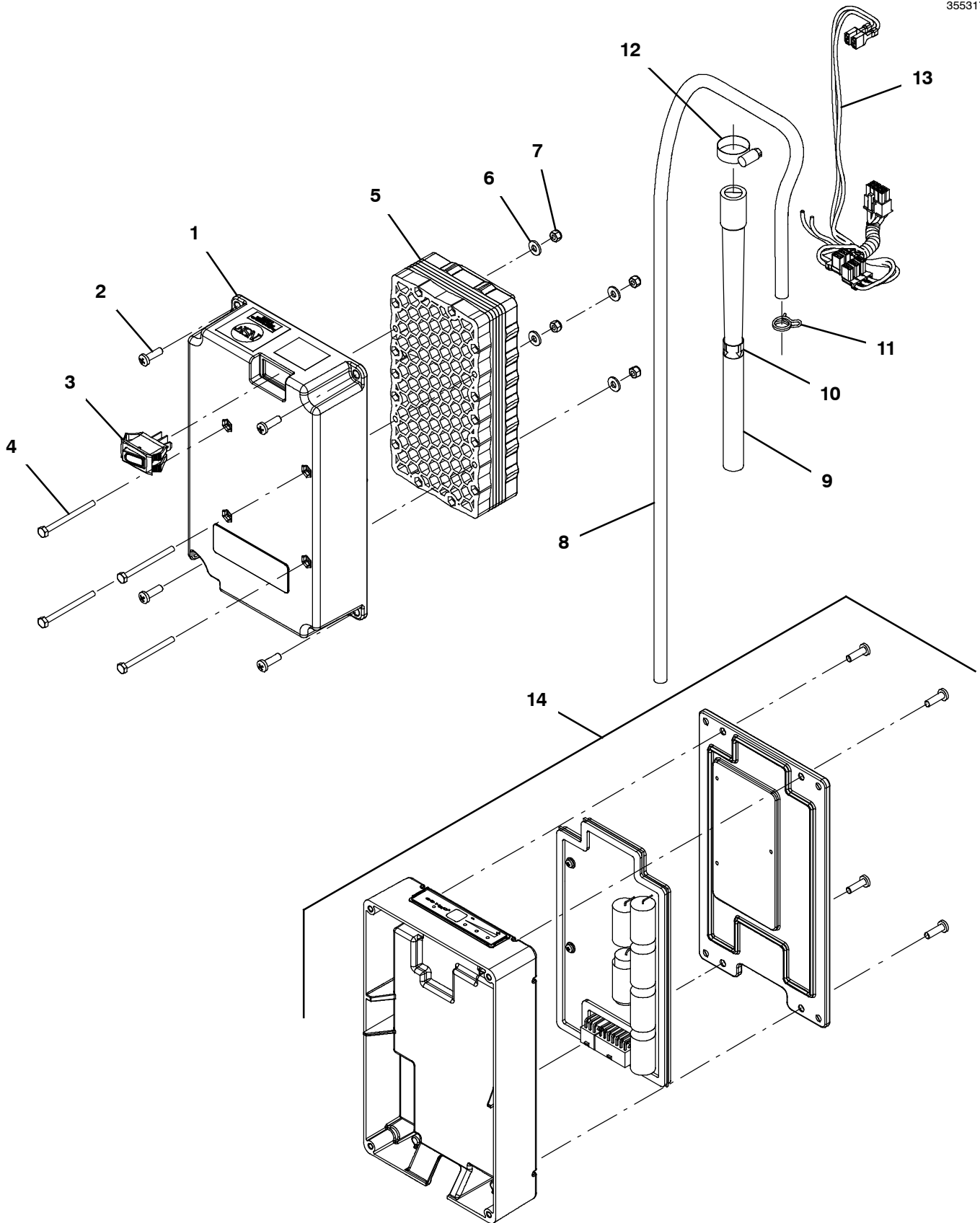


To view, print, order, download the latest Parts manual, other language Operator manuals, and Use and Care Guides (wall charts), visit:

www.tennantco.com/manual

ec-H2O NANOCLEAN MODULE BREAKDOWN

355317



ec- H2O NANOCLEAN MODULE BREAKDOWN

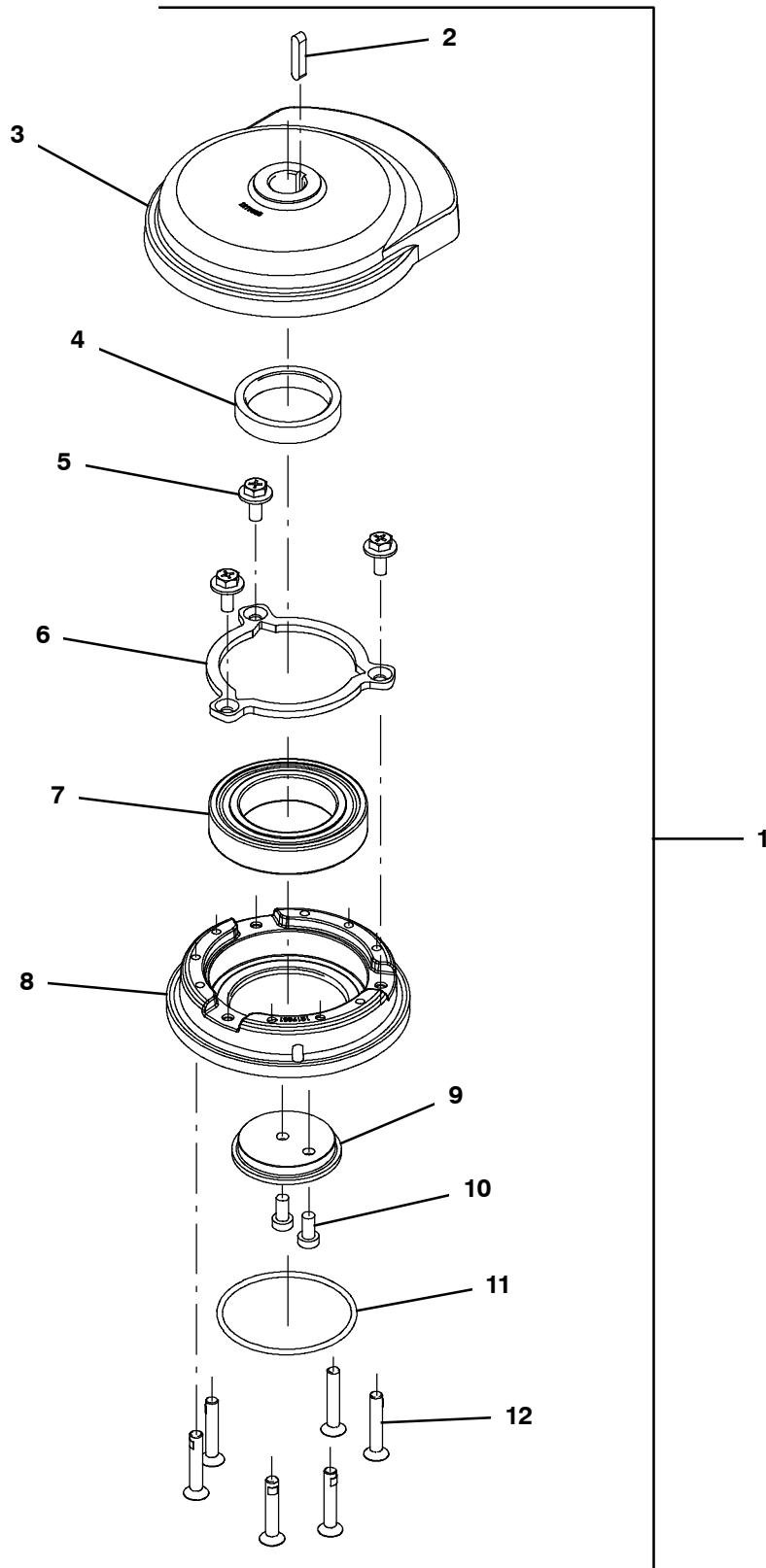
Ref.	Part No.	Serial Number	Description	Qty.
▽	9011810	(10000000- 20000000)	Module Kit, Replmt [Ec- H2o, B 02] (Includes ec- H2O NanoClean Cartridge)	1
▲▽	9014126	(10000000- 20000000)	Ec- H2o Nc Kit [Module B, Plumbing]	1
▲▲	1 1208823	(10000000- 20000000)	Housing, Module, Upper, Ec- H2o	1
▲▲	2 1015506	(10000000- 20000000)	Screw, Pan, Phl, M5 X 16, Tcut [Plastic]	4
▲▲	3 1044393	(10000000- 20000000)	Switch, Rocker, Spst, Mom	1
▲▲	4 32509	(10000000- 20000000)	Screw, Hex, M4 X 0.70 X 50, Ss	4
▲▲	5 1208164	(10000000- 20000000)	Electrode, 5 Plate, High Flow	1
▲▲	6 41579	(10000000- 20000000)	Washer, Flat, 08, Ss	4
▲▲	7 33932	(10000000- 20000000)	Nut, Hex, Lock, M4 X 0.70, NI, Ss	4
▲▲	8 1006415	(10000000- 20000000)	Hose, Afmkt, Pvc, Clr, 0.25id, 03ft	1
▲▲	9 1208526	(10000000- 20000000)	Hose, Molded, Bm08/Bm06	1
▲▲	10 1049637	(10000000- 20000000)	Label, Direction [Ec- H2o]	1
▲▲	11 613735	(10000000- 20000000)	Clamp, Hose, Wir, .40 - .42, Yel	1
▲▲	12 54333	(10000000- 20000000)	Clamp, Hose, Wormdrive, 0.31- 0.88d, .31w	1
▲▲	13 1073286	(10000000- 20000000)	Harness, Ele, Module B2 [Ec- H2o]	1
▲	14 9014127	(10000000- 20000000)	Controller Kit, Replmt [Ec- H2o Nc] (Includes ec- H2O NanoClean Cartridge)	1

▽ ASSEMBLY

▲ INCLUDED IN ASSEMBLY

ORBITAL HEAD ECCENTRIC DRIVE BREAKDOWN

355477



ORBITAL HEAD ECCENTRIC DRIVE BREAKDOWN

	Ref.	Part No.	Serial Number	Description	Qty.
▽	1	9015774	(10000000- 20000000)	Eccentric Drive Kit, Orbital	1
▲	2	1231238	(10000000- 20000000)	Key, Sq, 5mm X 5mm X 22mm	1
▲	3	N/A	(10000000- 20000000)	Balance, Eccentric, Step [Machined]	1
▲	4	N/A	(10000000- 20000000)	Spacer, Eccentric	1
▲	5	N/A	(10000000- 20000000)	Screw, Hex, M6 X 1.00 X 16, Sems	3
▲	6	N/A	(10000000- 20000000)	Plate, Retainer, Brg, Outer	1
▲	7	1220452	(10000000- 20000000)	Bearing, Ball, 2.17b 3.54d .71w	1
▲	8	N/A	(10000000- 20000000)	Housing, Bearing, Outer [Machined]	1
▲	9	N/A	(10000000- 20000000)	Retainer, Bearing, Inner [Qpq]	1
▲	10	N/A	(10000000- 20000000)	Screw, Soc, M6 X 1.00 X 12, 8.8, Low	2
▲	11	1221394	(10000000- 20000000)	Seal, Org, .125 X 02.63id	1
▲	12	1212710	(10000000- 20000000)	Screw, Flt, Soc, M6 X 1.00 X 35, 10.9,NI	6

▽ ASSEMBLY

▲ INCLUDED IN ASSEMBLY