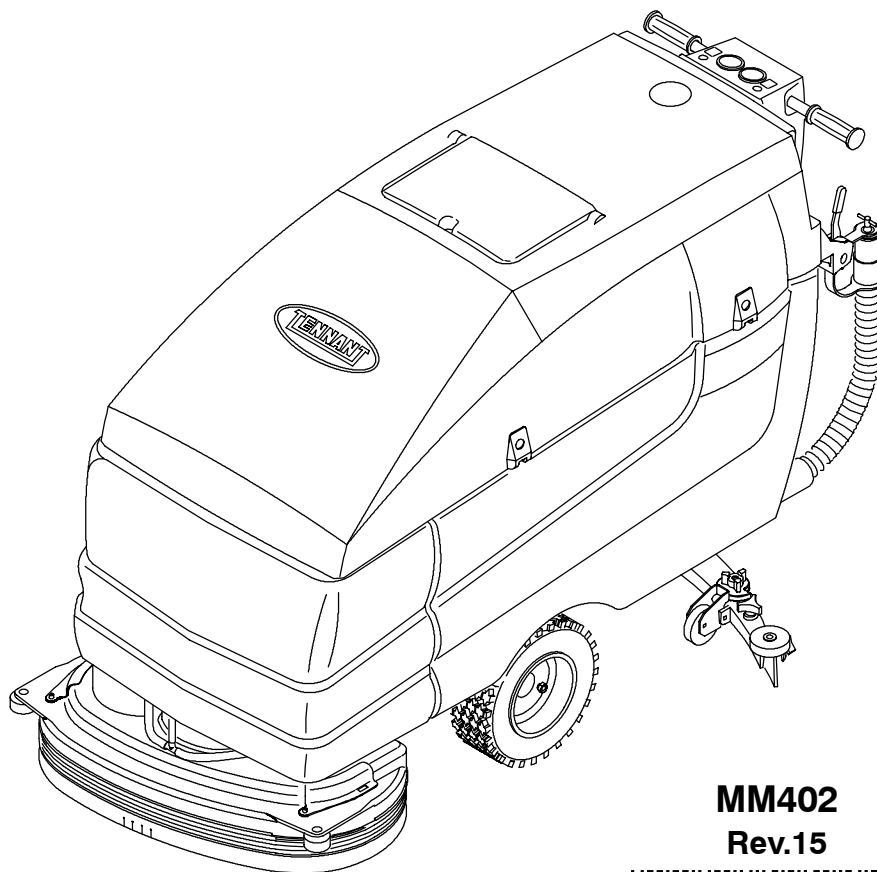




5700XPS

Parts Manual



MM402
Rev.15





This manual is furnished with each new TENNANT Model 5700XPS.

This manual consists of the How To Use This Manual; Standard Parts; Options; Breakdowns; and Cross Reference sections.

MACHINE DATA

Please fill out at time of installation for future reference.

Machine Model Number - 5700XPS

Machine Serial Number - _____

Machine Options - _____

TENNANT Representative/phone no. - _____

Customer ID Number - _____

Date of Installation - _____

Manual Number - MM402

Revision: 15

Published: 6-02

HOW TO USE THIS MANUAL

This section on *HOW TO USE THIS MANUAL* will tell you how to:

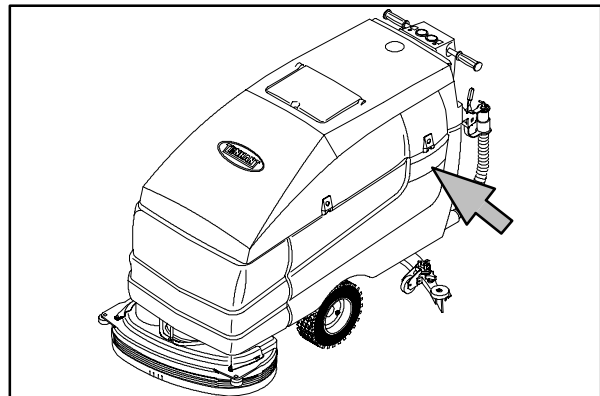
- Find important machine information for ordering correct repair parts.
- Find TENNANT part numbers.
- Order TENNANT parts and supplies.

IMPORTANT INFORMATION

When placing an order for parts, the machine model and machine serial number are important. Refer to the *MACHINE DATA* box which is filled out during the installation of your machine. The *MACHINE DATA* box is located on the inside of the front cover of this manual.

MACHINE DATA	
<i>Please fill out at time of installation for future reference.</i>	
Machine Model Number -	5700XPS
Machine Serial Number -	_____
Machine Options -	_____
TENNANT Representative/phone no. -	_____
Customer ID Number -	_____
Date of Installation -	_____
Manual Number -	MM402
Revision:	00
Published:	1-95

The model number of your machine is on the side of the machine.



The serial number of your machine is printed on the machine data plate located as shown.



HOW TO USE THIS MANUAL

FINDING A TENNANT PART NUMBER

This manual contains the following sections:

- HOW TO USE THIS MANUAL
- STANDARD PARTS
- OPTIONS
- BREAKDOWNS
- CROSS REFERENCE

The STANDARD PARTS section lists repair parts for standard machines. They are grouped in this general order:

- General wear parts.
- Machine frame and related parts.
- Machine propelling system.
- Scrubbing components.
- Electrical parts.

The OPTION section lists repair parts of options.

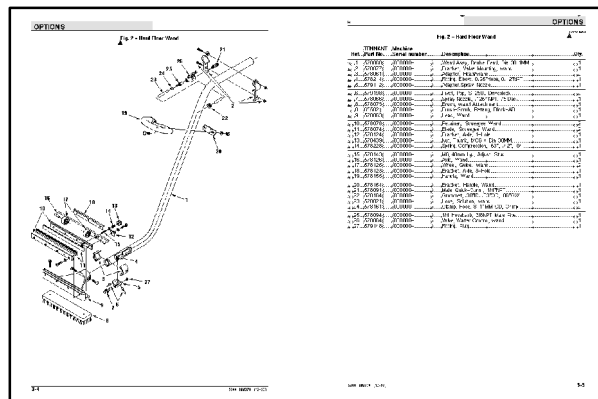
The BREAKDOWN section lists available repair parts of major components.

All sections in this manual consist of parts illustrations and corresponding parts lists.

The parts illustrations are numbered with **Ref** numbers which refer to corresponding parts lists.

The parts lists include a number of columns of information:

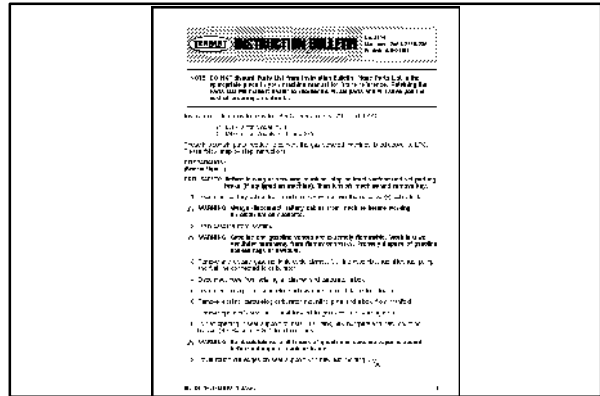
- **Ref** - column refers to the reference number on the parts illustration.
- ▽ - indicates the part is an assembly.
- ▲ - indicates the part is included in the assembly listed just before it.
- **TENNANT Part No.** - column lists the TENNANT part number for the part.
- **Serial Number** - column indicates the set of machines the part number is applicable to. Serial numbers change when the machine design has been modified. The most current design of the machine is shown in the main illustration, older designs are boxed in a corner of the illustration.
- **Description** - column is a brief description of the part.
- **Qty.** - column lists the quantity of that part used in that area of the machine.



Ref.	TENNANT Part No.	Serial Number	Description	Qty.
1	578318	000000	Fitting, Quick conn.	1
2	578160	000000	Clamp, hose	2
3	578820	000000	Hose	1
4	578072	000000	Cuff, swivel	2
5	578276	000000	Hose, vacuum	1
6	578071	000000	Connector, quick F.	1
7	573265	000000	Hose Coupling	1

NOTE: If a service kit is installed on your machine, be sure to keep the **INSTRUCTION BULLETIN** which came with the kit. It contains repair parts numbers needed for ordering future parts.

NOTE: Fasteners used in this machine may be metric or non-metric. Take care when replacing hardware to replace with same thread size.



PLACING AN ORDER

Orders may be placed by phone, fax, or by mail. Phone orders may need written confirmation. Follow the steps below to insure prompt delivery:

1. Identify the model number of your machine.
2. Identify the serial number of your machine.
3. Find the part number of the part you need. Do not order by page number or reference number. If you are not able to find the part number, call your TENNANT representative for help or send the old part as a sample.
4. Determine the quantity of the part you need.
5. Provide the following company information:
 - Company name
 - Customer ID Number
 - Shipping address
 - Billing address
 - First and last name of person ordering parts
 - Telephone number
 - Purchase order number
6. Provide definitive shipping instructions.

HOW TO USE THIS MANUAL

Any claim for loss or damage to a shipment in transit should be filed promptly with the transportation company making the delivery. Shipments will be complete unless the packing list or order acknowledgement indicates items back ordered.

If parts received are suspected to be incorrect or defective, please contact the TENNANT representative from whom you ordered the part. They will give authorization for return and/or handle replacement shipments when required.

SECTION 2

Contents	Page
Fig. 1 - Recommended General Maintenance Items	2-3
Fig. 2 - Model 700 Replacement Brushes, 700 mm (28 in)	2-4
Fig. 3 - Model 800 Replacement Brushes, 800 mm (32 in)	2-6
Fig. 4 - Model 900 Replacement Brushes, 900 mm (36 in)	2-8
Fig. 5 - Main Frame and Drive Group	2-10
Fig. 6 - Tire and Rim Assembly, Black	2-12
Fig. 7 - Scrub Head Lift Group	2-14
Fig. 8 - Model 700D Scrub Head Kit, 700 mm (28 in)	2-16
Fig. 9 - Model 800D Scrub Head Kit, 800 mm (32 in)	2-18
Fig. 10 - Model 900D Scrub Head Kit, 900 mm (36 in)	2-20
Fig. 11 - Model 800D Heavy Duty Scrub Head Kit, 800 mm (32 in)	2-22
Fig. 12 - Model 700C Scrub Head Drive Group, 700 mm (28 in)	2-24
Fig. 13 - Model 700C Scrub Head Frame Group, 700 mm (28 in)	2-26
Fig. 14 - Model 800C Scrub Head Drive Group, 800 mm (32 in)	2-28
Fig. 15 - Model 800C Scrub Head Frame Group, 800 mm (32 in)	2-30
Fig. 16 - Model 900C Scrub Head Drive Group, 900 mm (36 in)	2-32
Fig. 17 - Model 900C Scrub Head Frame Group, 900 mm (36 in)	2-34
Fig. 18 - Recovery Tank Group	2-36
Fig. 19 - Solution Tank Group	2-38
Fig. 20 - Vacuum Fan Group	2-40
Fig. 21 - Solution Control Group	2-42
Fig. 22 - Battery Group	2-44
Fig. 23 - Power Steering Control Group	2-46
Fig. 24 - Operator Console Group (000000-017945)	2-48
Fig. 25 - Operator Console Group (017946-)	2-50
Fig. 26 - Electrical Panel Group	2-52
Fig. 27 - Squeegee Lift Group	2-54
Fig. 28 - Auto Squeegee Lift Group	2-56
Fig. 29 - Squeegee Linkage Group	2-58
Fig. 30 - Tight-Aisle Squeegee Group, 550 mm (22 in)	2-60
Fig. 31 - Model 700 Squeegee Group, 700 mm (28 in)	2-62
Fig. 32 - Model 800 Squeegee Group, 800 mm (32 in)	2-64
Fig. 33 - Model 900 Squeegee Group, 900 mm (36 in)	2-66
Fig. 34 - Electrical Schematic	2-68

Contents	Page
Fig. 35 - Wire Harness Group	2-70
Fig. 36 - Label Group	2-73

Fig. 1 - Recommended General Maintenance Items

Ref.	Tenant Part No.	Machine Serial Number	Description	Qty.
	222381	(000000-) Blade, Squeegee,Front, 28"	1
	222382	(000000-) Blade, Squeegee,Rear, 28"	1
▽	222422	(000000-) Squeegee Kit F/Tile Gumrbr 700	1
▲	222385	(000000-) Blade, Squeegee,Tile, 28"	1
▲	222387	(000000-) Blade, Sqge,Rear,Gum, 28"	1
▽	222428	(000000-) Squeegee Kit Oil Rs Urethn 700	1
▲	222391	(000000-) Blade, Sqge, Front, 28", Oil Rst	1
▲	222389	(000000-) Blade, Sqge, Rear, 28", Oil Rst	1
	222241	(000000-) Blade, Squeegee,Front, 32"	1
	222242	(000000-) Blade, Squeegee,Rear, 32"	1
▽	222423	(000000-) Squeegee Kit F/Tile Gumrbr 800	1
▲	222384	(000000-) Blade, Squeegee,Tile, 32"	1
▲	222386	(000000-) Blade, Sqge,Rear,Gum, 32"	1
▽	222429	(000000-) Squeegee Kit Oil Rs Urethn 800	1
▲	222392	(000000-) Blade, Sqge, Front, 32", Oil Rst	1
▲	222388	(000000-) Blade, Sqge, Rear, 32", Oil Rst	1
	222413	(000000-) Blade, Squeegee,Front, 36"	1
	222415	(000000-) Blade, Squeegee,Rear, 36"	1
▽	222424	(000000-) Squeegee Kit F/Tile Gumrbr 900	1
▲	222414	(000000-) Blade, Squeegee,Tile, 36"	1
▲	222416	(000000-) Blade, Sqge,Rear,Gum, 36"	1
▽	222433	(000000-) Squeegee Kit Oil Rs Urethn 900	1
▲	222434	(000000-) Blade, Sqge, Front, 36", Oil Rst	1
▲	222435	(000000-) Blade, Sqge, Rear, 36", Oil Rst	1
	222066	(000000-) Wheel, 3.0 Dia	4
	82138	(000000-) Nut Speed,Retainer, .25-20 Thd	2
	222178	(000000-) Roller, Bumper	2
	222403	(000000-) Wheel, 2.0 Dia	2
	222430	(000000-) Skirt Assy, Disk Head, 28"	1
	222431	(000000-) Skirt Assy, Disk Head, 32"	1
	222432	(000000-) Skirt, Assy, Disk Head, 36"	1
▽	222711	(000000-) Replm Kit, Brush Skirts	1
▲	222180	(000000-) Skirt, Scrub Head	4
▲	222511	(000000-008920) Skirt, Deflector	2
	223568	(008921-) Skirt, Deflector	2

Fig. 2 - Model 700 Replacement Brushes, 700 mm (28 in)

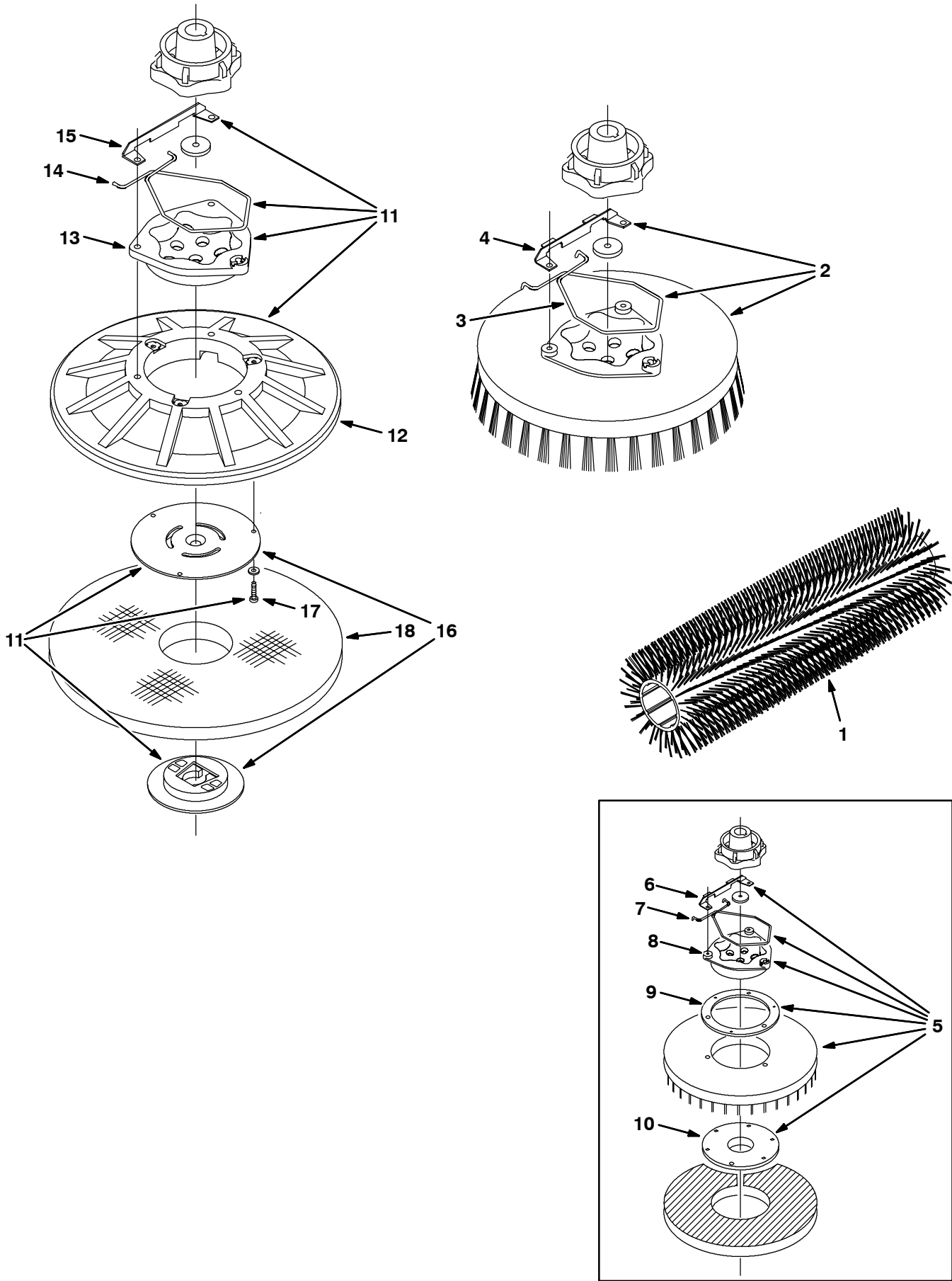


Fig. 2 - Model 700 Replacement Brushes, 700 mm (28 in)

Ref.	Tennant Part No.	Machine Serial Number	Description	Qty.	
1	222304	(000000-) Brush-Scr Grout 28"Lg 18Sr Poly	2	
1	374041	(000000-) Brush-Scrub 28"Lg 18Sr Poly	2	
1	222305	(000000-) Brush-Scrub 28"Lg 18Sr Nylon	2	
1	222306	(000000-) Brush-Scrub 28"Lg 18Sr Ab	2	
▽	2	222321	(000000-) Brush-Disk Scr 14 D Assy-Nylon	2
▲	3	14838	(000000-) Spring, Brush Retaining	1
▲	4	24299	(000000-) Bracket, Spring Retainer	1
▽	2	222320	(000000-) Brush-Disk Scr 14 D Assy-Poly	2
▲	3	14838	(000000-) Spring, Brush Retaining	1
▲	4	24299	(000000-) Bracket, Spring Retainer	1
▽	2	222322	(000000-) Brush-Disk Scr 14 D-Assy-Ab	2
▲	3	14838	(000000-) Spring, Brush Retaining	1
▲	4	24299	(000000-) Bracket, Spring Retainer	1
▽	5	222323	(000000- xxxxxx)	Driver, Pad 14 D Assy (Replaced by 370014)	2
▲	6	24299	(000000- xxxxxx)	Bracket, Spring Retainer	1
▲	7	14838	(000000- xxxxxx)	Spring, Brush Retaining	1
▲	8	15539	(000000- xxxxxx)	Adaptor, Brush	1
▲	9	11218	(000000- xxxxxx)	Spacer, Pad Holder	1
▲	10	19783	(000000- xxxxxx)	Holder, Pad	1
▽	11	370014	(xxxxxx-) Driver, Pad 14 D Assy	2
▲	12	370074	(xxxxxx-) Back, Pad Drive W/Face 14 Dia.	1
▲	13	15539	(xxxxxx-) Adaptor, Brush	1
▲	14	14838	(xxxxxx-) Spring, Brush Retaining	1
▲	15	24299	(xxxxxx-) Bracket, Spring Retainer	1
▲	16	370095	(xxxxxx-) Centering Device, F/Pad Driver	1
▲	17	09198	(xxxxxx-) Scr Panssm 4X0.7 35	3
	18	222324	(000000-) Pad, Polish 14D White	2
	18	222325	(000000-) Pad, Buff 14D Red	2
	18	222326	(000000-) Pad, Scrub 14D Blue	2
	18	222327	(000000-) Pad, Strip 14D Brown	2
	18	370091	(000000-) Pad, Strip-Hd 14D Black	2

Fig. 3 - Model 800 Replacement Brushes, 800 mm (32 in)

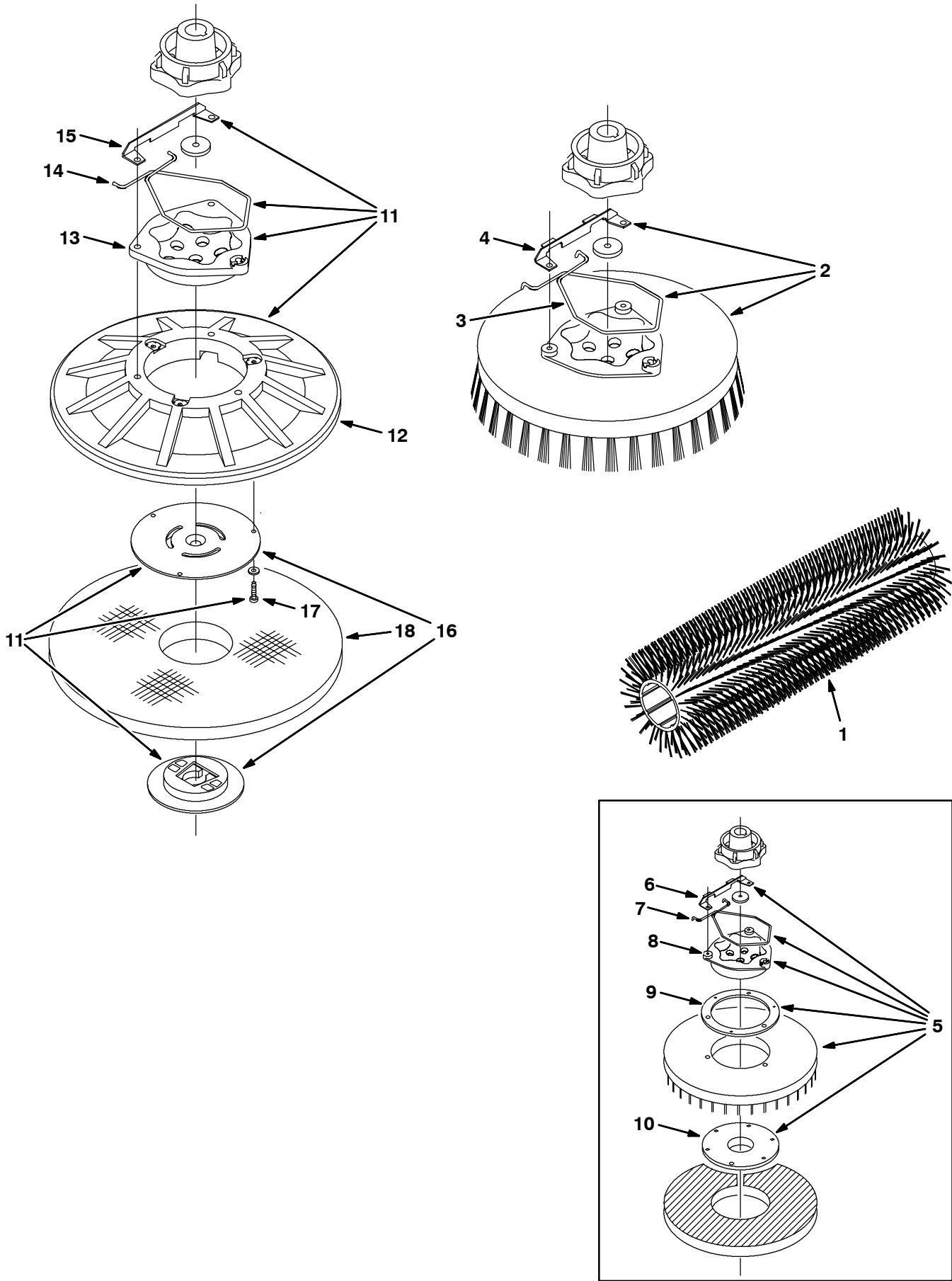


Fig. 3 - Model 800 Replacement Brushes, 800 mm (32 in)

Ref.	Tennant Part No.	Machine Serial Number	Description	Qty.	
1	222307	(000000-) Brush-Scr Grout 32"Lg 18Sr Poly	2	
1	374042	(000000-) Brush-Scrub 32"Lg 18Sr Poly	2	
1	222308	(000000-) Brush-Scrub -32Lg-18Sr-Nyl	2	
1	222309	(000000-) Brush-Scrub 32"Lg 18Sr Ab	2	
▽	2	05724	(000000-) Brush-Disk Scr 16 D-Assy-Nyl	2
▲	3	14838	(000000-) Spring, Brush Retaining	1
▲	4	24299	(000000-) Bracket, Spring Retainer	1
▽	2	30241	(000000-) Brush-Disk Scr 16 D Assy Poly	2
▲	3	14838	(000000-) Spring, Brush Retaining	1
▲	4	24299	(000000-) Bracket, Spring Retainer	1
▽	2	05726	(000000-) Brush-Disk Scr 16 D-Assy-S Ab	2
▲	3	14838	(000000-) Spring, Brush Retaining	1
▲	4	24299	(000000-) Bracket, Spring Retainer	1
▽	5	30216	(000000- xxxxxx)	Driver, Pad 16 D Assy (Replaced by 370016)	2
▲	6	24299	(000000- xxxxxx)	Bracket, Spring Retainer	1
▲	7	14838	(000000- xxxxxx)	Spring, Brush Retaining	1
▲	8	15539	(000000- xxxxxx)	Adaptor, Brush	1
▲	9	11218	(000000- xxxxxx)	Spacer, Pad Holder	1
▲	10	19783	(000000- xxxxxx)	Holder, Pad	1
▽	11	370016	(xxxxxx-) Driver, Pad 16 D Assy	2
▲	12	370076	(xxxxxx-) Back, Pad Drive W/Face 16 Dia.	1
▲	13	15539	(xxxxxx-) Adaptor, Brush	1
▲	14	14838	(xxxxxx-) Spring, Brush Retaining	1
▲	15	24299	(xxxxxx-) Bracket, Spring Retainer	1
▲	16	370095	(xxxxxx-) Centering Device, F/Pad Driver	1
▲	17	09198	(xxxxxx-) Scr Panssm 4X0.7 35	3
	18	63248-1	(000000-) Pad, Strip 16D Brown	2
	18	63248-2	(000000-) Pad, Scrub 16D Blue	2
	18	63248-3	(000000-) Pad, Buff 16D Red	2
	18	63248-4	(000000-) Pad, Polish 16D White	2
	18	370092	(000000-) Pad, Strip-Hd 16D Black	2

Fig. 4 - Model 900 Replacement Brushes, 900 mm (36 in)

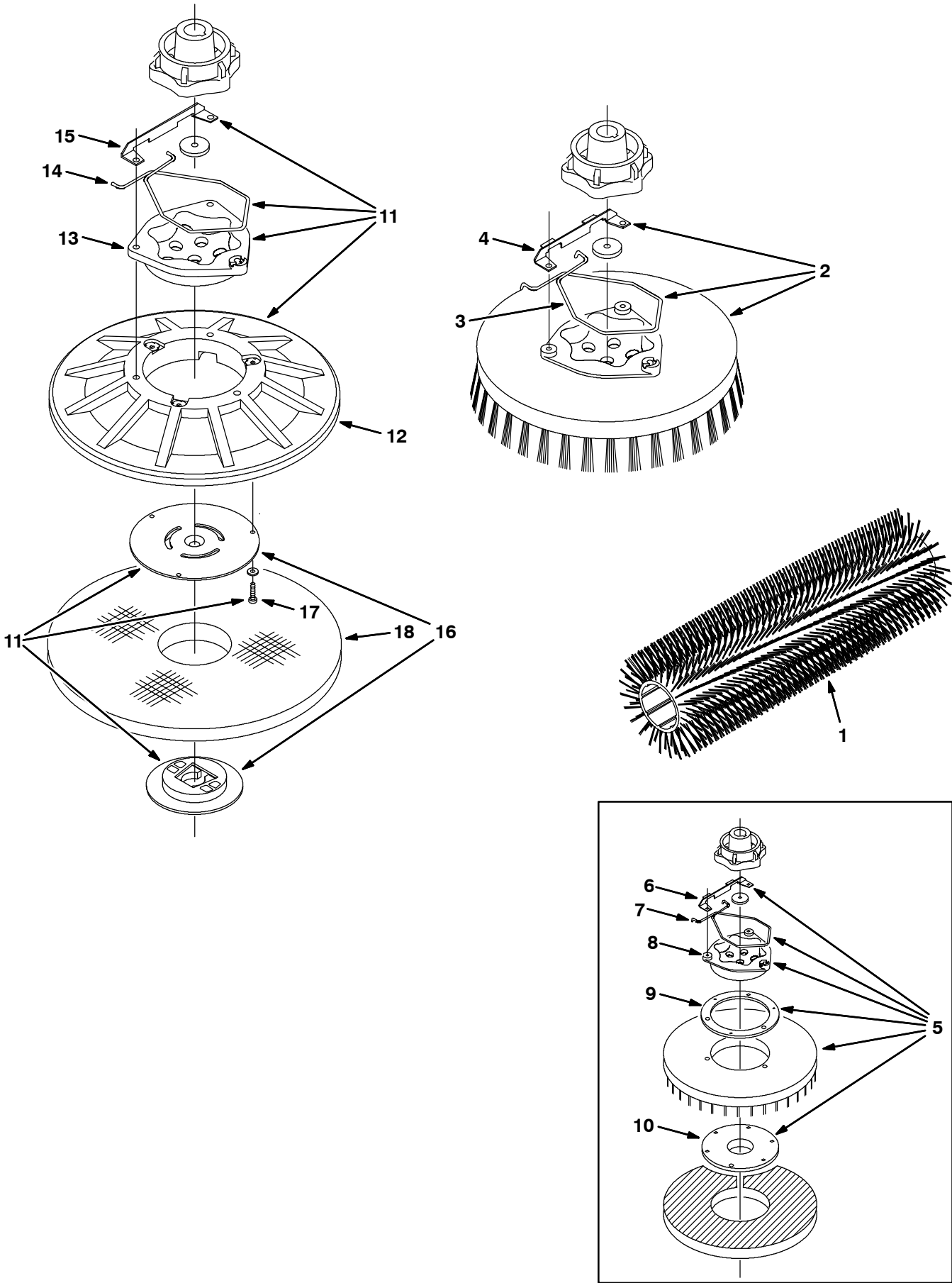


Fig. 4 - Model 900 Replacement Brushes, 900 mm (36 in)

Ref.	Tennant Part No.	Machine Serial Number	Description	Qty.	
1	222310	(000000-) Brush-Scr Grout 36"Lg 18Sr Poly	2	
1	374043	(000000-) Brush-Scrub 36"Lg 18Sr Poly	2	
1	222311	(000000-) Brush-Scrub 36"Lg 18Sr Nylon	2	
1	222312	(000000-) Brush-Scrub 36"Lg 18Sr Ab	2	
▽	2	11773	(000000-) Brush-Disk Scr 18 D Assy Nylon	2
▲	3	14838	(000000-) Spring, Brush Retaining	1
▲	4	24299	(000000-) Bracket, Spring Retainer	1
▽	2	11771	(000000-) Brush-Disk Scr-18 D-Assy-Poly	2
▲	3	14838	(000000-) Spring, Brush Retaining	1
▲	4	24299	(000000-) Bracket, Spring Retainer	1
▽	2	11772	(000000-) Brush-Disk Scr-18 D Assy Ab	2
▲	3	14838	(000000-) Spring, Brush Retaining	1
▲	4	24299	(000000-) Bracket, Spring Retainer	1
▽	5	11776	(000000- xxxxxx)	Driver, Pad 18 D Assy (Replaced by 370018)	2
▲	6	24299	(000000- xxxxxx)	Bracket, Spring Retainer	1
▲	7	14838	(000000- xxxxxx)	Spring, Brush Retaining	1
▲	8	15539	(000000- xxxxxx)	Adaptor, Brush	1
▲	9	11218	(000000- xxxxxx)	Spacer, Pad Holder	1
▲	10	19783	(000000- xxxxxx)	Holder, Pad	1
▽	11	370018	(xxxxxx-) Driver, Pad 18 D Assy	2
▲	12	370078	(xxxxxx-) Back, Pad Drive W/Face 18 Dia.	1
▲	13	15539	(xxxxxx-) Adaptor, Brush	1
▲	14	14838	(xxxxxx-) Spring, Brush Retaining	1
▲	15	24299	(xxxxxx-) Bracket, Spring Retainer	1
▲	16	370095	(xxxxxx-) Centering Device, F/Pad Driver	1
▲	17	09198	(xxxxxx-) Scr Panssm 4X0.7 35	3
	18	11777	(000000-) Pad, Strip 18D Brown	2
	18	370093	(000000-) Pad, Strip-Hd 18D Black	2
	18	11778	(000000-) Pad, Scrub 18D Blue	2
	18	11780	(000000-) Pad, Buff 18D Red	2
	18	11781	(000000-) Pad, Polish 18D White	2

Fig. 5 - Main Frame and Drive Group

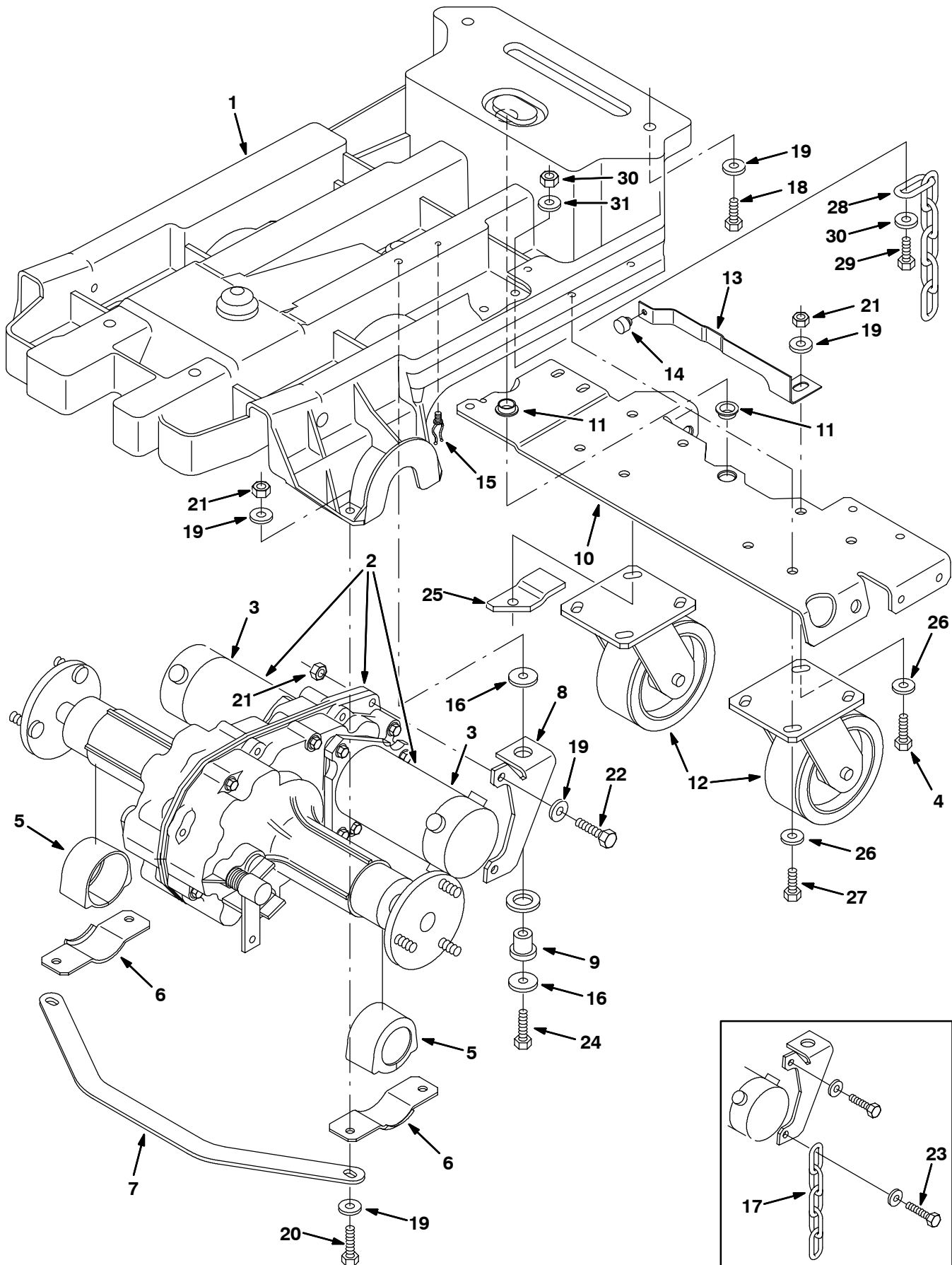


Fig. 5 - Main Frame and Drive Group

Ref.	Tennant Part No.	Machine Serial Number	Description	Qty.
1	398311	(000000-) Frame, Main	1
▽ 2	222038	(000000-) Transaxle Dual Motor Assy 22Lg (See Breakdowns)	1
▲ 3	222372	(000000-) Motor, Elec, 0.2Hp36V.Dc, 2100Rpm (See Breakdowns)	2
4	09010	(000000-) Scr Hexssm 8X1.25 25	2
5	222035	(000000-) Isolator, Transaxle	2
6	222036	(000000-) Bracket, Mtg, Isolator	2
7	222098	(000000-) Bracket, Support, Frame	1
8	222039	(000000-) Bracket, Mtg, Transaxle	1
9	54274	(000000-) Isolator-Vibration, 125Lb. Ratng	1
10	222085	(000000-) Bracket, Caster Pad	1
11	04843	(000000-) Bearing, Flange .625 Bore	2
12	222467	(000000-) Caster, 5.0 Dia Wheel	2
13	222469	(000000-) Spring, Centering	1
14	51787	(000000-) Bumper, Rubber	1
15	30406	(000000-) Clip, Keeper, St	1
16	32662	(000000-) Washer .380B 1.22D .06 Ss18-8	2
17	46307	(000000-012766) Chain, Link#2/0, 4Links	1
18	12273	(000000-) Scr-Hexssm 8X1.25 20 Nylnloc	4
19	01685	(000000-) Washer Flt .31 Ss	16
20	09011	(000000-) Scr Hexssm 8X1.25 30	4
21	08713	(000000-) Nut-Hxlocnyln M 8X1.25 Reg Ss	8
22	09026	(000000-) Scr Hexssm 8X1.25 40	1
23	222505	(000000-012766) Scr Hexssm 8X1.25 45	1
24	59658	(000000-) Scr Hexssm 8X1.25 35 Nylonloc	1
25	222800	(000000-) Bracket, Support	1
26	41186	(000000-) Washer, Bellville .31 Pltd	8
27	12333	(000000-) Scr.-Hexssm 8 X 1.25 25 Nyloc	6
28	43500	(012767-) Chain, Coil, Str, #210, 09.0L 07 Link	1
29	09010	(012767-) Scr Hexssm 8X1.25 25	1
30	01685	(012767-) Washer Flt .31 Ss	2
31	08713	(012767-) Nut-Hxlocnyln M 8X1.25 Reg Ss	1

Fig. 6 - Tire and Rim Assembly, Black

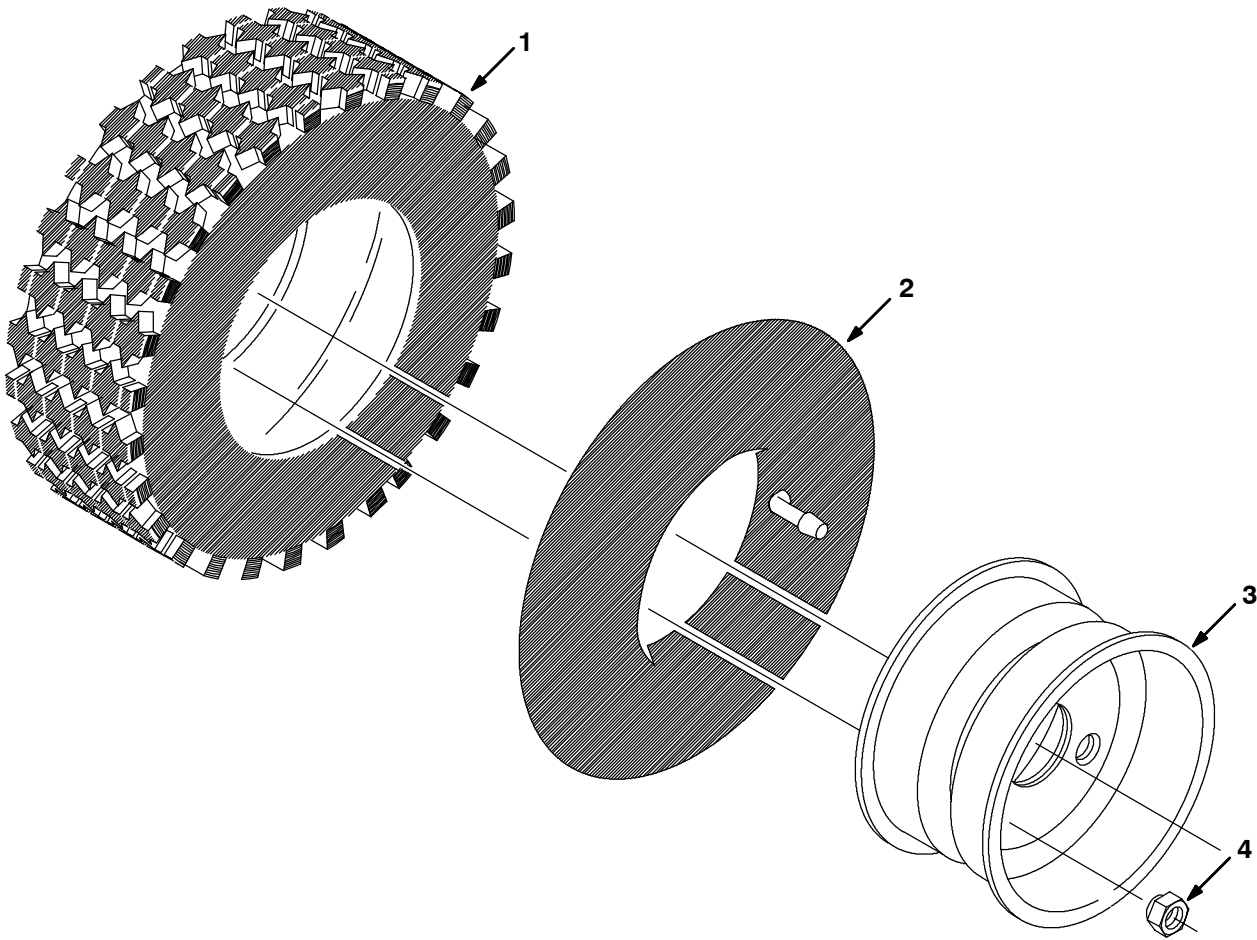


Fig. 6 - Tire and Rim Assembly, Black

	Ref.	Tennant Part No.	Machine Serial Number	Description	Qty.
▽		78572	(000000-) Tire and Rim Assembly, Black	2
▲	1	374049	(000000-) Tire, 4.10/3.5-6, Black	1
▲	2	04658	(000000-) Tube, Inner	1
▲	3	04657	(000000-) Rim	1
	4	11109	(000000-) Nut, Wheel	6

Fig. 7 - Scrub Head Lift Group

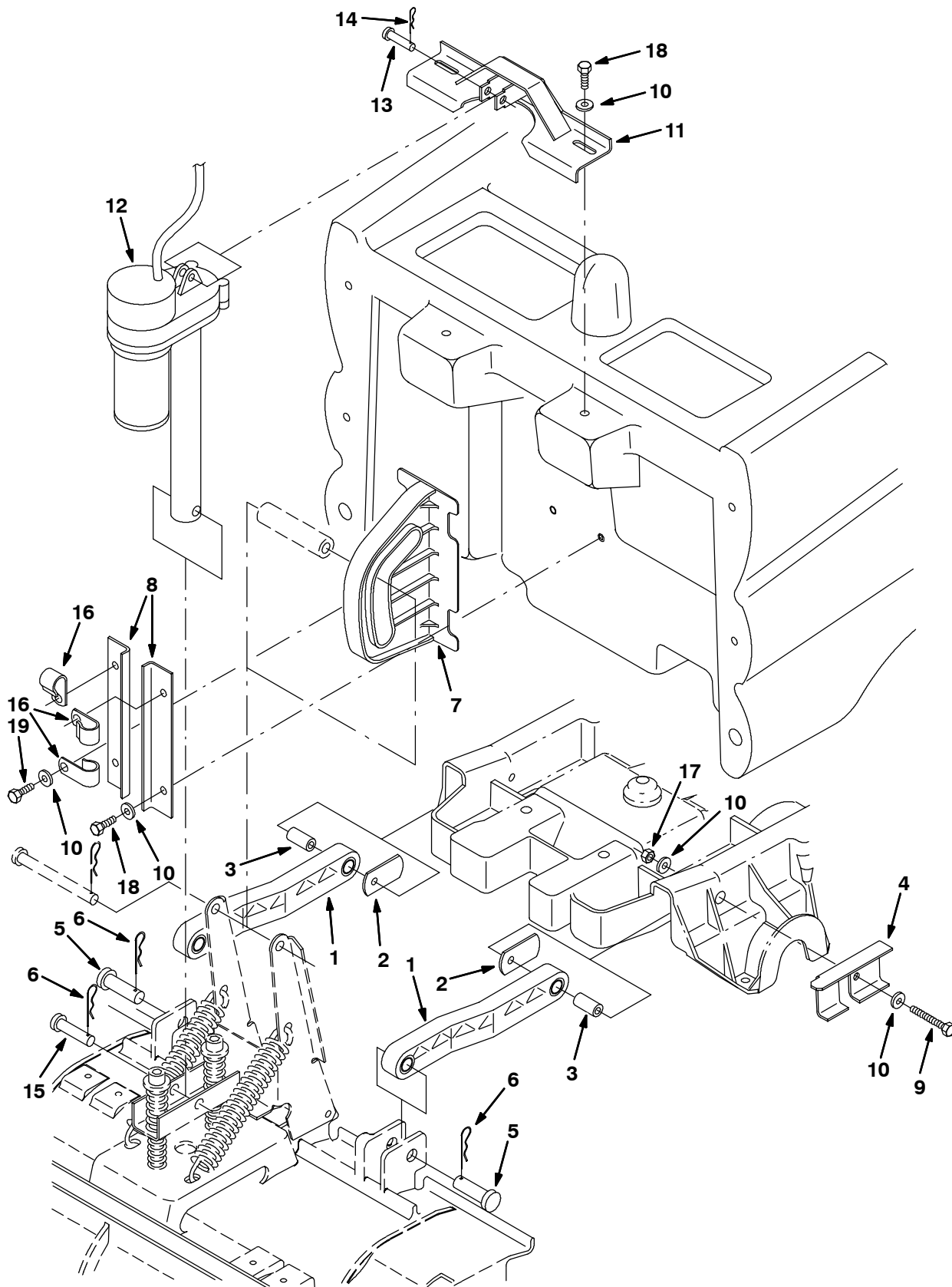


Fig. 7 - Scrub Head Lift Group

Ref.	Tennant Part No.	Machine Serial Number	Description	Qty.
1	222027	(000000-) Arm, Lift, Head	2
2	222099	(000000-) Spacer, Lift Arm	2
3	222028	(000000-) Sleeve, .344B .62D1.3 Bronze	2
4	222488	(000000-) Bracket, Tank Support	1
5	222210	(000000-) Pin, Clevis, 0.62 Dia X 2.00Lg	2
6	02942	(000000-) Pin,Hair Cotter .12Wire 2.37Sl	3
7	222034	(000000-) Bracket, Guide, Roller	1
8	222054	(000000-) Bracket, Roller Guide	2
9	222504	(000000-) Scr Hexssm 8X1.25 55	2
10	01685	(000000-) Washer Flt .31 Ss	9
11	222051	(000000-) Bracket, Mounting, Actuator	1
12	222219	(000000-) Actuator, Electronic	1
13	29558	(000000-) Pin,Clevis,0.37 Dia.X 1.50 Lg	1
14	86866	(000000-) Pin, Hair Cotter .375D .072Wir	1
15	51534	(000000-) Pin,Clevis,0.50 Dia.X 2.00 Lg	1
16	30407	(000000-) Clip, Keeper, Open	3
17	08713	(000000-) Nut-Hxlocnyln M 8X1.25 Reg Ss	2
18	09740	(000000-) Scr-Hexssm 8X1.25 20	6
19	49826	(000000-) Scr-Hexssm 8X1.25 16 Nylon Loc	1

Fig. 8 - Model 700D Scrub Head Kit, 700 mm (28 in)

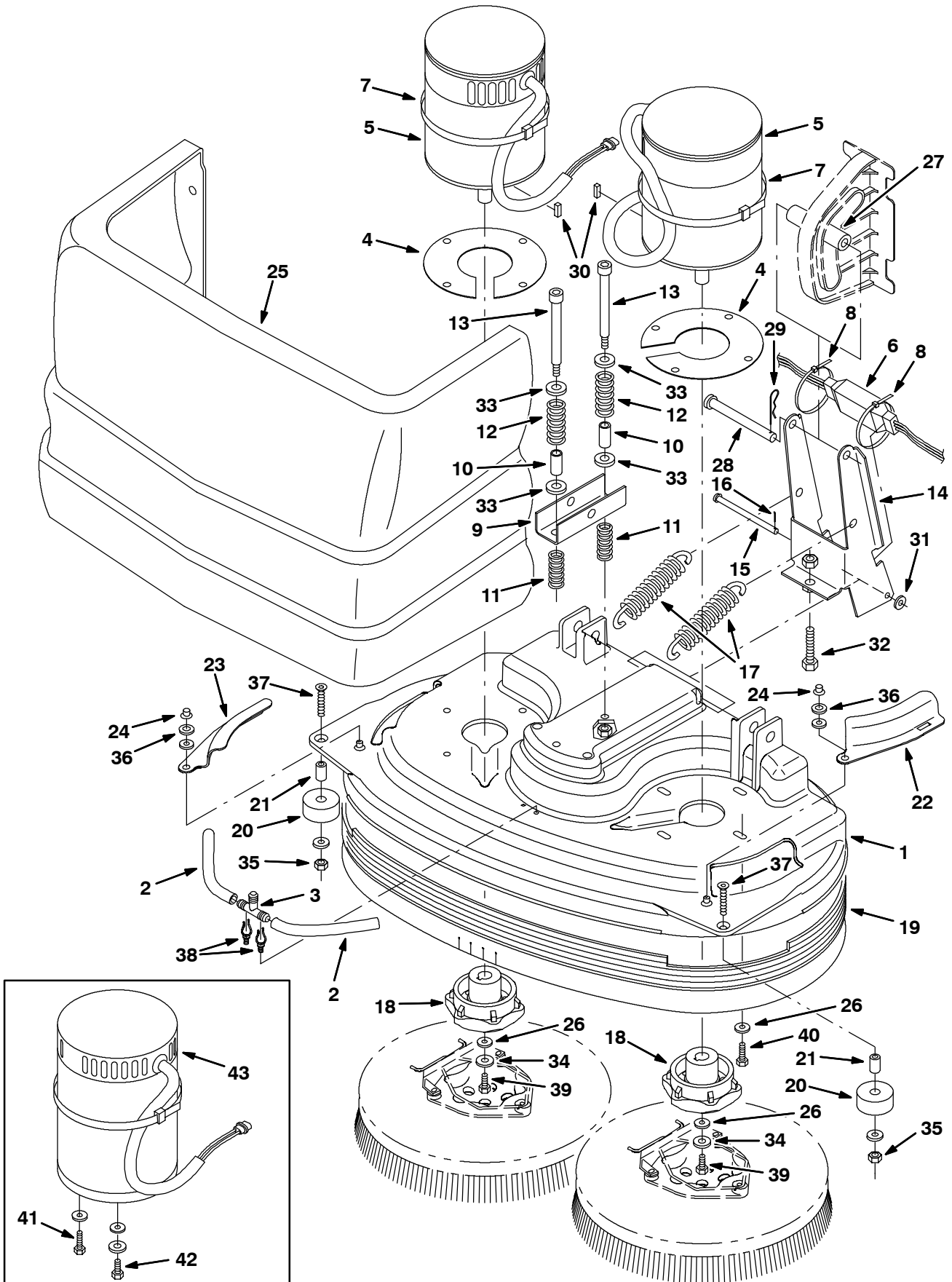


Fig. 8 - Model 700D Scrub Head Kit, 700 mm (28 in)

Ref.	Tennant Part No.	Machine Serial Number	Description	Qty.
▽	222012	(000000-	Scrub Head Kit 700D 5700	1
▲ 1	222221	(000000-	Cover, Scrub Head 28 Disk	1
▲ 2	222535	(000000-	Hose, Vinyl .38Id .56Od 8.0L	2
▲ 3	222536	(000000-	Fitting-Plastic Tee 06Bm/06Bm/	1
▲ 4	222440	(000000-	Gasket, End Bell	2
▲ 5	222806	(xxxxxx-	Motor, Electric (See Breakdowns)	2
▲ 6	222836	(000000-	Harness, Wire, Disk Head, Elec	1
▲ 7	44961	(000000-	Tie, Cable 4.00 Max 14.50Lg	4
▲ 8	49263	(000000-	Tie Cable 3.00D Max 11.41Lg	2
▲ 9	222056	(000000-	Bracket, Mtg, Spring	1
▲ 10	50682	(000000-	Sleeve, .500B .62D1.31 Stl	2
▲ 11	63185	(000000-	Spring,Comp,.84Odx.10Wire 2.0L	2
▲ 12	45261	(000000-	Sprng,Comp,0.74Idx.11Wire 2.5L	2
▲ 13	45960	(000000-	Scr-Shld .500Dx4.25L .38- 16	2
▲ 14	222838	(000000-	Bracket, Pivot	1
▲ 15	222207	(000000-	Pin, Clevis, 0.31Dia X4.5Lg	1
▲ 16	08346	(000000-	Pin, Cotter .125X0.75	1
▲ 17	222363	(000000-	Spring, Tension	2
▲ 18	222506	(000000-	Hub, Brush Drive	2
▲ 19	222430	(000000-	Skirt Assy, Disk Head, 28"	1
▲ 20	222403	(000000-	Wheel, 2.0 Dia	2
▲ 21	222496	(000000-	Sleeve	2
▲ 22	222404	(000000-	Door, Scrub Head, Lh	1
▲ 23	222405	(000000-	Door, Scrub Head, Rh	1
▲ 24	59849	(000000-	Nut, Retainer R/.312 Dia	2
▲ 25	398444	(000000-	Cover, Front	1
▲ 26	41186	(000000-	Washer-Belleville .31 Pltd	10
▲ 27	222055	(000000-	Roller, Linkage, Head	1
▲ 28	222197	(000000-	Pin, Clevis 0.50 Dia X 4.75Lg	1
▲ 29	02942	(000000-	Pin,Hair Cotter .12Wire 2.37Sl	1
▲ 30	00926	(xxxxxx-	Key, Square 0.25 0.25 0.75Lg	2
▲ 31	01685	(000000-	Washer Flt .31 Ss	1
▲ 32	05720	(000000-	Scr-Hexssm10X1.5 40 Full Thd	1
▲ 33	32486	(000000-	Washer, Flt .50 SAE	4
▲ 34	01686	(000000-	Washer Flt .38 Ss	2
▲ 35	08713	(000000-	Nut-Hxlocnyln M 8X1.25 Reg Ss	2
▲ 36	32713	(000000-	Washer, .406B .81D .09Ureth	2
▲ 37	33943	(000000-	Scr-Flt M8 X 1.25 40	2
▲ 38	30406	(000000-	Clip, Keeper, St	2
▲ 39	09740	(xxxxxx-	Scr Hexss M8 X 1.25 20	2
▲ 40	09007	(xxxxxx-	Scr Hexss M6 X 1.0 25	8
41	01698	(000000- xxxxxx)	Scr Hexss.25-20X1.00	8
42	02991	(000000- xxxxxx)	Scr Hexss.31-18X0.75	2
43	222490	(000000- xxxxxx)	Motor Assy, Elec, (Replaced by 374002) (See Breakdowns)	2

Fig. 9 - Model 800D Scrub Head Kit, 800 mm (32 in)

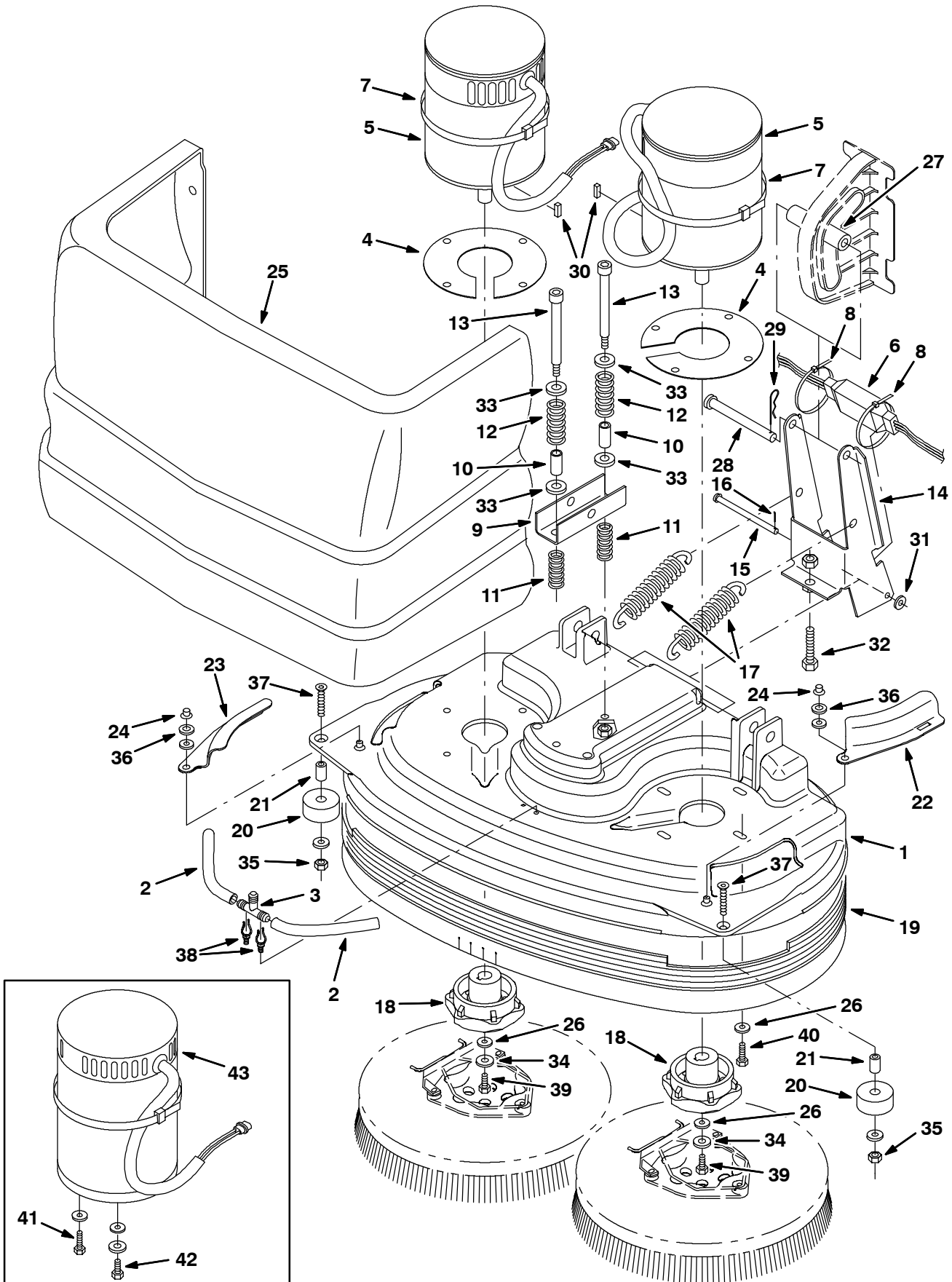


Fig. 9 - Model 800D Scrub Head Kit, 800 mm (32 in)

Ref.	Tennant Part No.	Machine Serial Number	Description	Qty.
▽	222013	(000000-	Scrub Head Kit 800D 5700	1
▲ 1	222222	(000000-	Cover, Scrub Head 32 Disk	1
▲ 2	222535	(000000-	Hose, Vinyl .38Id .56Od 8.0L	2
▲ 3	222536	(000000-	Fitting-Plastic Tee 06Bm/06Bm/	1
▲ 4	222440	(000000-	Gasket, End Bell	2
▲ 5	222806	(xxxxxx-	Motor, Electric (See Breakdowns)	2
▲ 6	222836	(000000-	Harness, Wire, Disk Head, Elec	1
▲ 7	44961	(000000-	Tie, Cable 4.00 Max 14.50Lg	4
▲ 8	49263	(000000-	Tie Cable 3.00D Max 11.41Lg	2
▲ 9	222056	(000000-	Bracket, Mtg, Spring	1
▲ 10	50682	(000000-	Sleeve, .500B .62D1.31 Stl	2
▲ 11	63185	(000000-	Spring,Comp,.84Odx.10Wire 2.0L	2
▲ 12	45261	(000000-	Sprng,Comp,0.74Idx.11Wire 2.5L	2
▲ 13	45960	(000000-	Scr-Shld .500Dx4.25L .38- 16	2
▲ 14	222838	(000000-	Bracket, Pivot	1
▲ 15	222207	(000000-	Pin, Clevis, 0.31Dia X4.5Lg	1
▲ 16	08346	(000000-	Pin, Cotter .125X0.75	1
▲ 17	222363	(000000-	Spring, Tension	2
▲ 18	222506	(000000-	Hub, Brush Drive	2
▲ 19	222431	(000000-	Skirt Assy, Disk Head, 32"	1
▲ 20	222403	(000000-	Wheel, 2.0 Dia	2
▲ 21	222496	(000000-	Sleeve	2
▲ 22	222404	(000000-	Door, Scrub Head, Lh	1
▲ 23	222405	(000000-	Door, Scrub Head, Rh	1
▲ 24	59849	(000000-	Nut, Retainer R/.312 Dia	2
▲ 25	398444	(000000-	Cover, Front	1
▲ 26	41186	(000000-	Washer-Belleville .31 Pltd	10
▲ 27	222055	(000000-	Roller, Linkage, Head	1
▲ 28	222197	(000000-	Pin, Clevis 0.50 Dia X 4.75Lg	1
▲ 29	02942	(000000-	Pin,Hair Cotter .12Wire 2.37Sl	1
▲ 30	00926	(xxxxxx-	Key, Square 0.25 0.25 0.75Lg	2
▲ 31	01685	(000000-	Washer Flt .31 Ss	1
▲ 32	05720	(000000-	Scr-Hexssm10X1.5 40 Full Thd	1
▲ 33	32486	(000000-	Washer, Flt .50 SAE	4
▲ 34	01686	(000000-	Washer Flt .38 Ss	2
▲ 35	08713	(000000-	Nut-Hxlocnyln M 8X1.25 Reg Ss	2
▲ 36	32713	(000000-	Washer, .406B .81D .09Ureth	2
▲ 37	33943	(000000-	Scr-Flt M8 X 1.25 40	2
▲ 38	30406	(000000-	Clip, Keeper, St	2
▲ 39	09740	(xxxxxx-	Scr Hexss M8 X 1.25 20	2
▲ 40	09007	(xxxxxx-	Scr Hexss M6 X 1.0 25	8
41	01698	(000000- xxxxxx)	Scr Hexss.25-20X1.00	8
42	02991	(000000- xxxxxx)	Scr Hexss.31-18X0.75	2
43	222490	(000000- xxxxxx)	Motor Assy, Elec, (Replaced by 374002) (See Breakdowns)	2

STANDARD PARTS

Fig. 10 - Model 900D Scrub Head Kit, 900 mm (36 in)

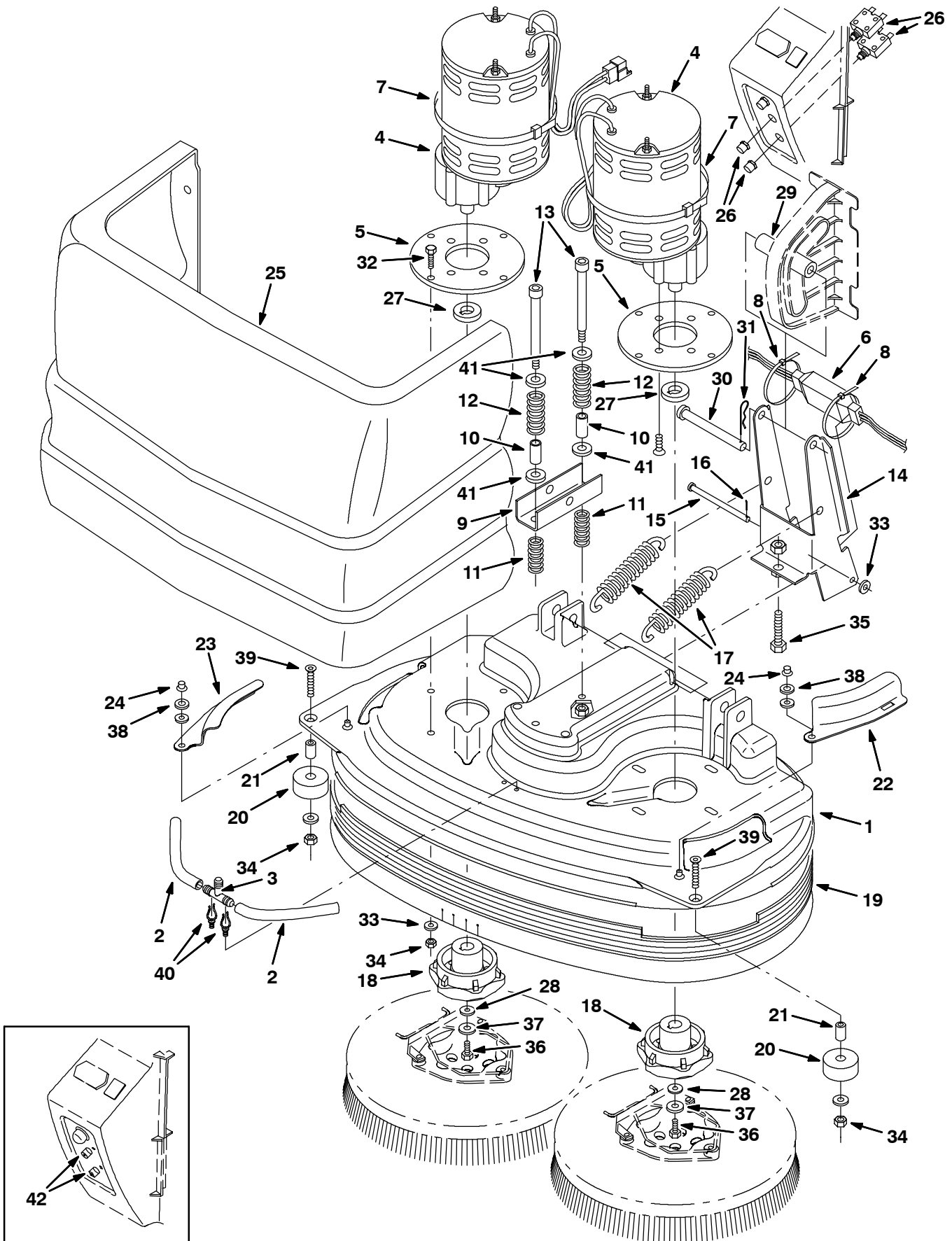


Fig. 10 - Model 900D Scrub Head Kit, 900 mm (36 in)

Ref.	Tennant Part No.	Machine Serial Number	Description	Qty.
▽	222014	(000000-	Scrub Head Kit 900D 5700	1
▲	1 222223	(000000-	Cover, Scrub Head 36 Disk	1
▲	2 222535	(000000-	Hose, Vinyl .38Id .56Od 8.0L	2
▲	3 222536	(000000-	Fitting-Plastic Tee 06Bm/06Bm/	1
▲	4 222255	(000000-	Motor, Gear, 1.0Hp 36V (See Breakdowns)	2
▲	5 222053	(000000-	Plate, Adaptor, Motor	2
▲	6 222837	(000000-	Harness, Wire, Disk Head, Elec	1
▲	7 44961	(000000-	Tie, Cable 4.00 Max 14.50Lg	6
▲	8 49263	(000000-	Tie Cable 3.00D Max 11.41Lg	2
▲	9 222056	(000000-	Bracket, Mtg, Spring	1
▲	10 50682	(000000-	Sleeve, .500B .62D1.31 Stl	2
▲	11 63185	(000000-	Spring,Comp,.84Odx.10Wire 2.0L	2
▲	12 45261	(000000-	Sprng,Comp,0.74Idx.11Wire 2.5L	2
▲	13 45960	(000000-	Scr-Shld .500Dx4.25L .38-16	2
▲	14 222838	(000000-	Bracket, Pivot	1
▲	15 222207	(000000-	Pin, Clevis, 0.31Dia X4.5Lg	1
▲	16 08346	(000000-	Pin, Cotter .125X0.75	1
▲	17 222363	(000000-	Spring, Tension	2
▲	18 222506	(000000-	Hub, Brush Drive	2
▲	19 222432	(000000-	Skirt, Assy, Disk Head 36	1
▲	20 222403	(000000-	Wheel, 2.0 Dia	2
▲	21 222496	(000000-	Sleeve	2
▲	22 222404	(000000-	Door, Scrub Head, Lh	1
▲	23 222405	(000000-	Door, Scrub Head, Rh	1
▲	24 59849	(000000-	Nut, Retainer R/.312 Dia	2
▲	25 398444	(000000-	Cover, Front	1
▲	26 383726	(017946-	Breaker, Circuit, 35Amp	2
▲	27 222067	(000000-	Ring, Spacer	2
▲	28 41186	(000000-	Washer-Belleville .31 Pltd	2
▲	29 222055	(000000-	Roller, Linkage, Head	1
▲	30 222197	(000000-	Pin, Clevis 0.50 Dia X 4.75Lg	1
▲	31 02942	(000000-	Pin,Hair Cotter .12Wire 2.37Sl	1
▲	32 09011	(000000-	Scr Hexssm 8X1.25 30	8
▲	33 01685	(000000-	Washer Flt .31 Ss	9
▲	34 08713	(000000-	Nut-Hxlocnyln M 8X1.25 Reg Ss	10
▲	35 05720	(000000-	Scr-Hexssm10X1.5 40 Full Thd	1
▲	36 02993	(000000-	Scr-Hex .31-18X1.50 Ss	2
▲	37 01686	(000000-	Washer Flt .38 Ss	2
▲	38 32713	(000000-	Washer, .406B .81D .09Ureth	2
▲	39 33943	(000000-	Scr-Flt M8 X 1.25 40	2
▲	40 30406	(000000-	Clip, Keeper, St	2
▲	41 32486	(000000-	Washer, Flt .50 SAE	4
▲	42 222299	(000000-017945)	Breaker, Circuit, 35Amp	2

STANDARD PARTS

Fig. 11 - Model 800D Heavy Duty Scrub Head Kit, 800 mm (32 in)

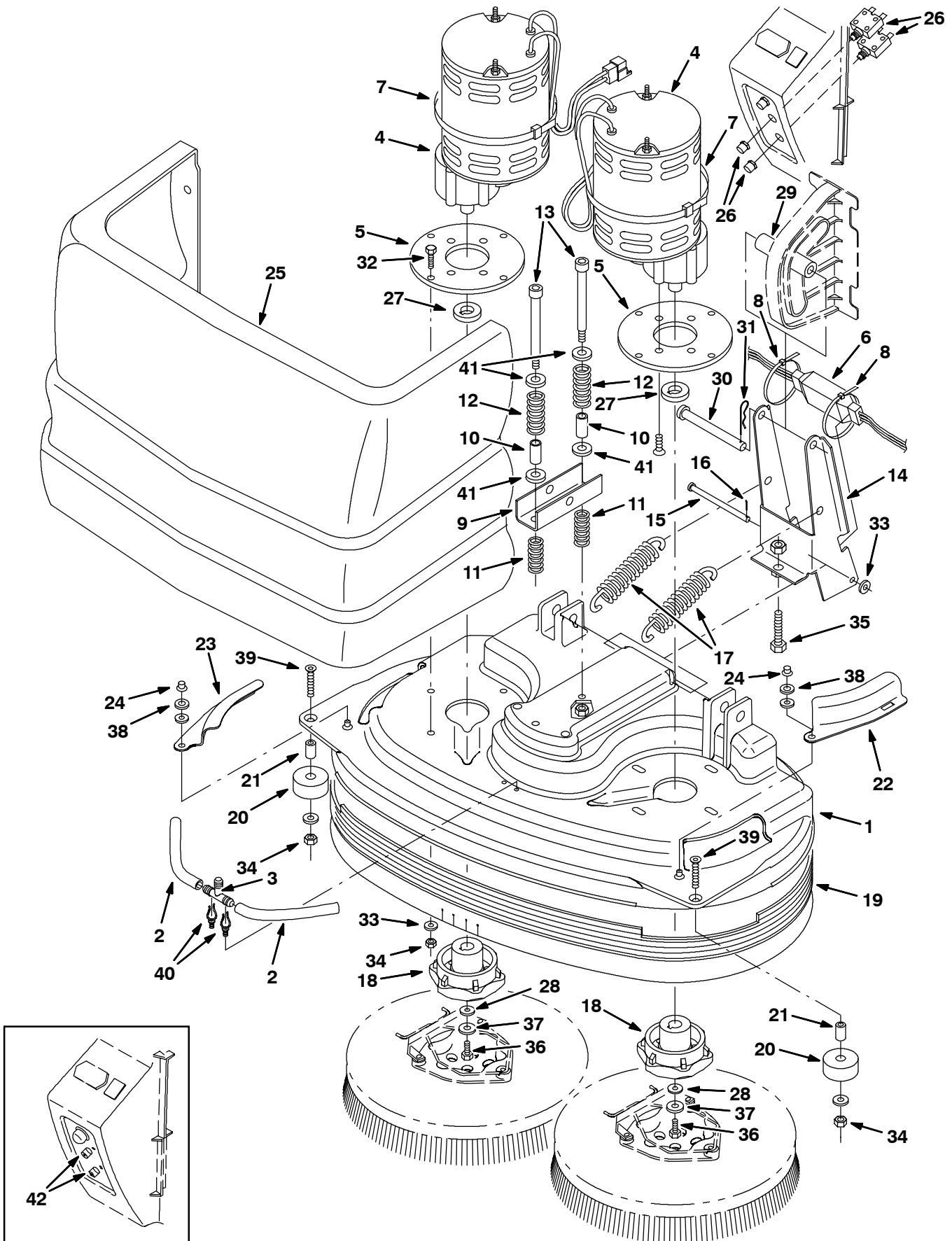


Fig. 11 - Model 800D Heavy Duty Scrub Head Kit, 800 mm (32 in)

Ref.	Tennant Part No.	Machine Serial Number	Description	Qty.
▽	222022	(000000-	Scrub Head Kit Hd 800D5700	1
▲ 1	222222	(000000-	Cover, Scrub Head 32 Disk	1
▲ 2	222535	(000000-	Hose, Vinyl .38Id .56Od 8.0L	2
▲ 3	222536	(000000-	Fitting-Plastic Tee 06Bm/06Bm/	1
▲ 4	222255	(000000-	Motor, Gear, 1.0Hp 36V (See Breakdowns)	2
▲ 5	222053	(000000-	Plate, Adaptor, Motor	2
▲ 6	222837	(000000-	Harness, Wire, Disk Head, Elec	1
▲ 7	44961	(000000-	Tie, Cable 4.00 Max 14.50Lg	6
▲ 8	49263	(000000-	Tie Cable 3.00D Max 11.41Lg	2
▲ 9	222056	(000000-	Bracket, Mtg, Spring	1
▲ 10	50682	(000000-	Sleeve, .500B .62D1.31 Stl	2
▲ 11	63185	(000000-	Spring,Comp,.84Odx.10Wire 2.0L	2
▲ 12	45261	(000000-	Sprng,Comp,0.74ldx.11Wire 2.5L	2
▲ 13	45960	(000000-	Scr-Shld .500Dx4.25L .38-16	2
▲ 14	222838	(000000-	Bracket, Pivot	1
▲ 15	222207	(000000-	Pin, Clevis, 0.31Dia X4.5Lg	1
▲ 16	08346	(000000-	Pin, Cotter .125X0.75	1
▲ 17	222363	(000000-	Spring, Tension	2
▲ 18	222506	(000000-	Hub, Brush Drive	2
▲ 19	222431	(000000-	Skirt Assy, Disk Head, 32"	1
▲ 20	222403	(000000-	Wheel, 2.0 Dia	2
▲ 21	222496	(000000-	Sleeve	2
▲ 22	222404	(000000-	Door, Scrub Head, Lh	1
▲ 23	222405	(000000-	Door, Scrub Head, Rh	1
▲ 24	59849	(000000-	Nut, Retainer R/.312 Dia	2
▲ 25	398444	(000000-	Cover, Front	1
▲ 26	383726	(017946-	Breaker, Circuit, 35Amp	2
▲ 27	222067	(000000-	Ring, Spacer	2
▲ 28	41186	(000000-	Washer-Belleville .31 Pltd	2
▲ 29	222055	(000000-	Roller, Linkage, Head	1
▲ 30	222197	(000000-	Pin, Clevis 0.50 Dia X 4.75Lg	1
▲ 31	02942	(000000-	Pin,Hair Cotter .12Wire 2.37Sl	1
▲ 32	09011	(000000-	Scr Hexssm 8X1.25 30	8
▲ 33	01685	(000000-	Washer Flt .31 Ss	9
▲ 34	08713	(000000-	Nut-Hxlocnyln M 8X1.25 Reg Ss	10
▲ 35	05720	(000000-	Scr-Hexssm10X1.5 40 Full Thd	1
▲ 36	02993	(000000-	Scr-Hex .31-18X1.50 Ss	2
▲ 37	01686	(000000-	Washer Flt .38 Ss	2
▲ 38	32713	(000000-	Washer, .406B .81D .09Ureth	2
▲ 39	33943	(000000-	Scr-Flt M8 X 1.25 40	2
▲ 40	30406	(000000-	Clip, Keeper, St	2
▲ 41	32486	(000000-	Washer, Flt .50 SAE	4
▲ 42	222299	(000000-017945)	Breaker, Circuit, 35Amp	2

STANDARD PARTS

Fig. 12 - Model 700C Scrub Head Drive Group, 700 mm (28 in)

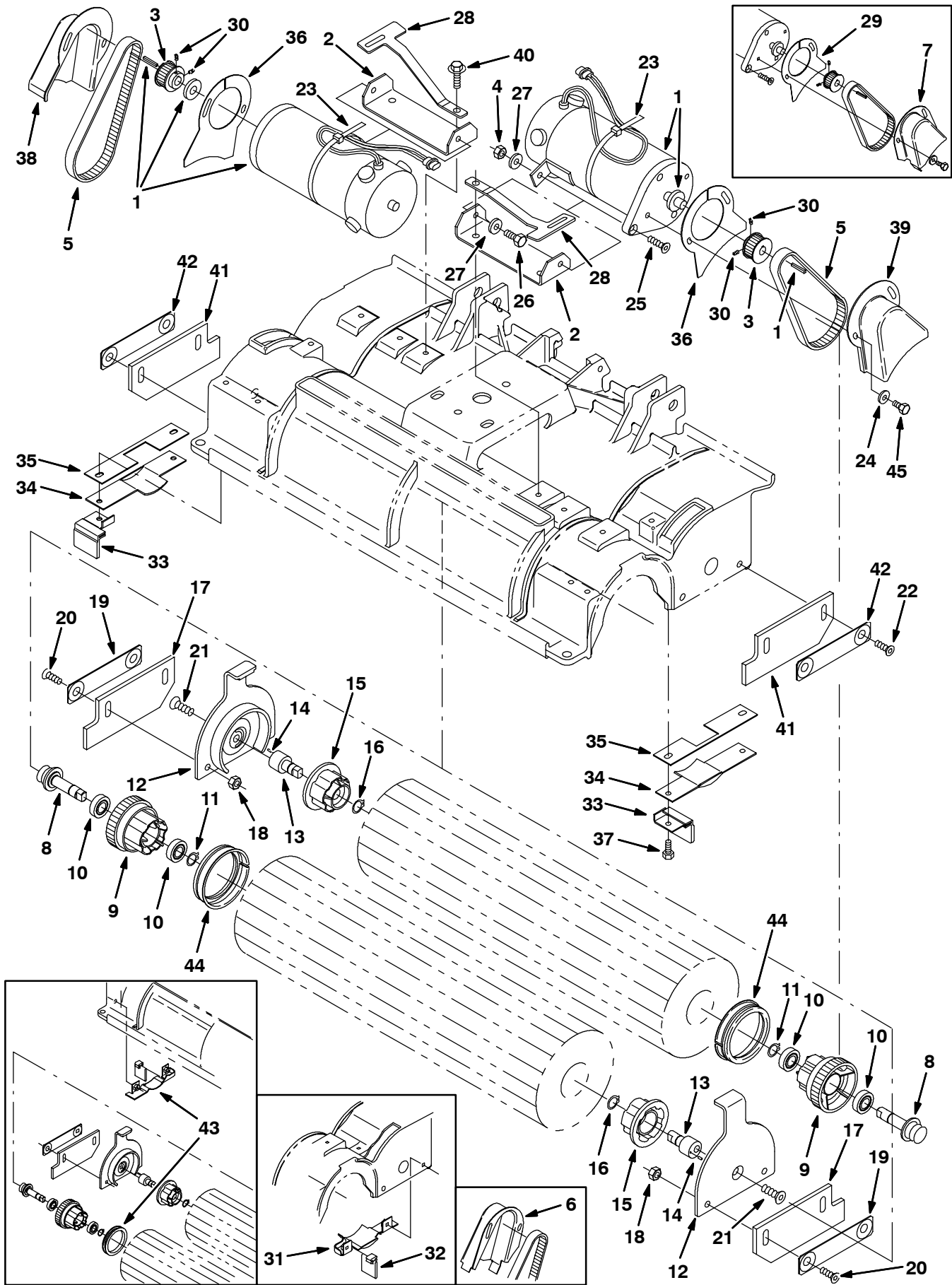


Fig. 12 - Scrub Head Drive Group, Model 700C, 700 mm (28 in)

NOTE: Scrub Head Kit, Tennant Part Number 222015, includes Fig. 12, and Fig. 13.

Ref.	Tennant Part No.	Machine Serial Number	Description	Qty.
1	222753	(000000-018380)	Motor, .75 Hp, 36V, 1700Rpm (See Breakdowns)	2
1	374175	(018381-)	Motor Assy, Ele, 36V, 0.75Hp, 1700Rpm (See Breakdowns)	2
2	222173	(000000-008920)	Bracket, Mounting, Motor	2
2	223564	(008921-)	Bracket, Mounting, Motor	2
3	375195	(000000-)	Sprocket, Drive	2
4	08713	(000000-)	Nut-Hxlocnyln M 8X1.25 Reg Ss	4
5	377505	(000000-)	Belt, Replmt, Brush Drive, F/222201	2
6	222174	(000000-008920)	Guard, Belt, Rh	1
7	222175	(000000-008920)	Guard, Belt, Lh	1
▽	222751	(000000-)	Plug Drive Assy	2
▲	8 222176	(000000-)	Shaft, Drive Plug	1
▲	9 377333	(000000-)	Plug, Drive, Brush, [48 Tooth - Gt/2]	1
▲	10 41360AM	(000000-)	Bearing-Ball,0.59B 1.26D 0.35W	2
▲	11 01516	(000000-)	Ring,Retain,Ex,0.59Od,Basic	1
▽	374082	(000000-)	Door Assy, Brush	2
▲	12 369460	(000000-)	Door, Brush	1
▲▽	222752	(000000-)	Plug Idler Assy	1
▲▲	13 222177	(000000-)	Shaft, Idler Plug	1
▲▲	14 222184	(000000-)	Pin, Roll	1
▲▲	15 379202	(000000-)	Plug, Brush	1
▲▲	16 01516	(000000-)	Ring,Retain,Ex,0.59Od,Basic	1
▲	17 222180	(000000-)	Skirt, Scrub Head	1
▲	18 08713	(000000-)	Nut-Hxlocnylon M 8X1.25 Reg Ss	2
▲	19 222182	(000000-)	Bar, Support	1
▲	20 74077	(000000-)	Scr-Flt M8 X 1.25 25 Ss	2
▲	21 390996	(000000-)	Scr-Flt M10 X 1.5 20, Ss NI	1
	22 07810	(000000-)	Scr Flt M8 x 1.25 25	4
	23 44961	(000000-)	Tie, Cable 4.00D Max 14.50 Lg	2
	24 01684	(000000-)	Washer Flt .25 Ss	4
	25 74077	(000000-)	Screw, Flat,M 8X1.25 Ss	2
	26 09740	(000000-)	Scr Hexssm 8X1.25	2
	27 01685	(000000-)	Washer Flt .31 Ss	6
	28 222209	(000000-)	Spring, Door	2
	29 222791	(000000-008920)	Shield, Belt	2
	30 222818	(000000-)	Scr-Set 8-32 X .25 Nylon Loc	4
	31 222850	(000000-008920)	Bracket, Shield	2
	32 222511	(000000-008920)	Skirt, Deflector	2
	33 223568	(008921-)	Skirt, Deflector	2
	34 223566	(008921-)	Bracket, Shield	2
	35 223569	(008921-)	Gasket, Shield	2
	36 223563	(008921-)	Shield, Belt	2
	37 15678	(008921-)	Screw, Hex, M06 X 1.0 X 16, Ss	4
	38 223560	(008921-)	Guard, Belt, Rh	1
	39 223561	(008921-)	Guard, Belt, Lh	1
	40 76099	(000000-)	Scr-Hxfmg M8 X 1.25 25	4
	41 222180	(000000-)	Skirt, Scrub Head	2
	42 222182	(000000-)	Bar, Support	2
	43 222863	(000000-008920)	Replm Kit, Seal	2
	44 222820	(000000-)	Seal, Ring	2
	45 06942	(000000-)	Screw, Hex, M06-1.0 X 16	4
	46 1010506	(000000-)	Tool, Removal, Shaft, F/ 222176	1

Fig. 13 - Model 700C Scrub Head Frame Group, 700 mm (28 in)

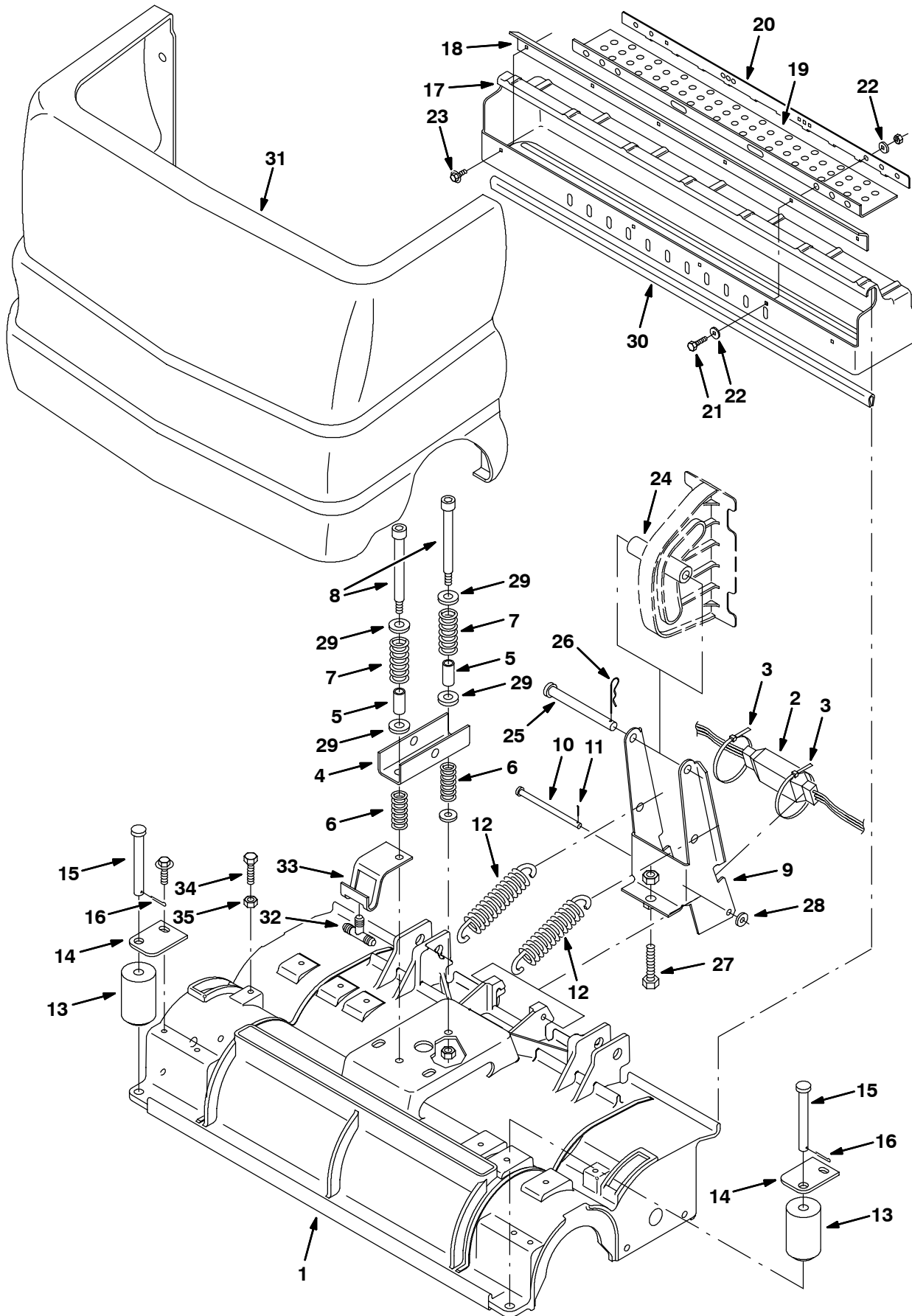


Fig. 13 - Model 700C Scrub Head Frame Group, 700 mm (28 in)

NOTE: Scrub Head Kit, Tennant Part Number 222015, includes Fig. 12, and Fig. 13.

Ref.	Tennant Part No.	Machine Serial Number	Description	Qty.
1	374009	(000000-008920)	Housing, Cyl, Replacement 28	1
1	223571	(008921-	Housing, Cyl, 28	1
2	222835	(000000-	Harness, Wire, Cyl Head, Elec	1
3	49263	(000000-	Tie Cable 3.00D Max 11.41Lg	2
4	222056	(000000-	Bracket, Mtg, Spring	1
5	50682	(000000-	Sleeve, .500B .62D1.31 Stl	2
6	63185	(000000-	Spring,Comp,.84Odx.10Wire 2.0L	2
7	45261	(000000-	Sprng,Comp,0.74Idx.11Wire 2.5L	2
8	45960	(000000-	Scr-Shld .500Dx4.25L .38- 16	2
9	222838	(000000-	Bracket, Pivot	1
10	222207	(000000-	Pin, Clevis, 0.31Dia X4.5Lg	1
11	08346	(000000-	Pin, Cotter .125X0.75	2
12	222363	(000000-	Spring, Tension	2
13	222178	(000000-	Roller, Bumper	2
14	222179	(000000-	Bracket, Mounting, Roller	2
15	222196	(000000-	Pin, Roller	2
16	08346	(000000-	Pin, Cotter .125X0.75	2
▽	222824	(000000-	Debris Tray Kit, 28 in	1
▲	17 222167	(000000-	Tray, Debris, 28	1
▲	18 222203	(000000-	Lip, Debris Tray, 28"	1
▲	19 222669	(000000-	Skirt, Debris Tray	1
▲	20 222670	(000000-	Strip, Debris Tray	1
▲	21 09007	(000000-	Scr-Hexssm6X1.0 25	4
▲	22 01684	(000000-	Washer Flt .25 Ss	8
▲	23 74455	(000000-	Scr-Hxfmg M6 X 1.0 20	2
24	222055	(000000-	Roller, Linkage, Head	1
25	222197	(000000-	Pin, Clevis 0.50 Dia X 4.75Lg	1
26	02942	(000000-	Pin,Hair Cotter .12Wire 2.37Sl	1
27	05720	(000000-	Scr-Hexssm10X1.5 40 Full Thd	1
28	01685	(000000-	Washer Flt .31 Ss	1
29	32486	(000000-	Washer, Flt .50 SAE	4
30	374006	(000000-	Channel	1
31	398445	(000000-	Cover, Front, Rework	1
32	222536	(000000-	Fitting-Plastic Tee 06Bm/06Bm/	1
33	222523	(000000-	Bracket, Hose Guide	1
34	09023	(000000-	Screw, Hex, M08 X 1.25 X 35, Ss	2
35	08713	(000000-	Nut, Hex, Lock, M08 X 1.25, NI, Ss	2

STANDARD PARTS

Fig. 14 - Model 800C Scrub Head Drive Group, 800 mm (32 in)

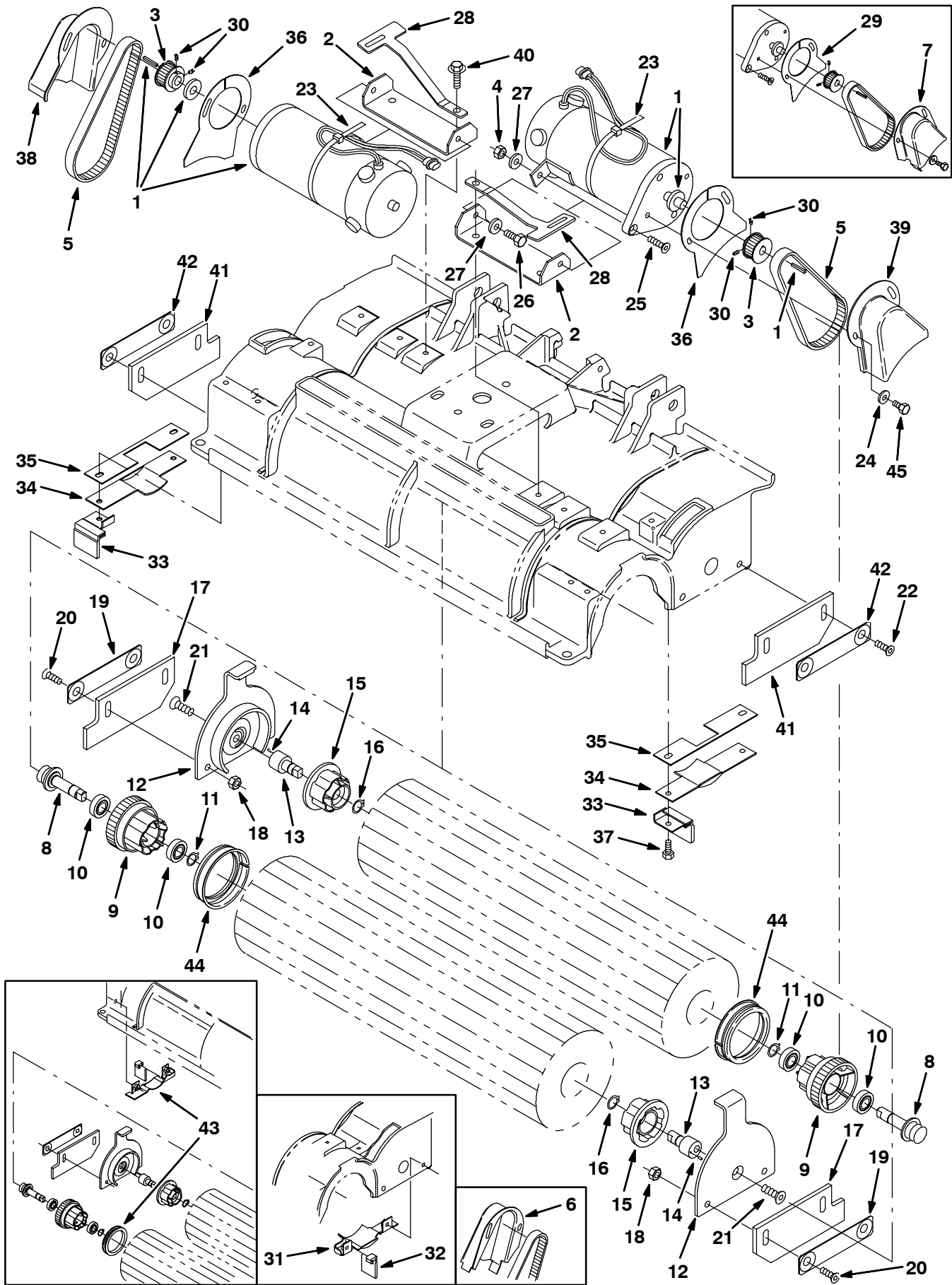


Fig. 14 - Scrub Head Drive Group, Model 800C, 800 mm (32 in)

NOTE: Scrub Head Kit, Tennant Part Number 222016, includes Fig. 14, and Fig. 15.

Ref.	Tennant Part No.	Machine Serial Number	Description	Qty.	
1	222753	(000000-018380)	Motor, .75 Hp, 36V, 1700Rpm (See Breakdowns)	2	
1	374175	(018381-	Motor Assy, Ele, 36V, 0.75Hp, 1700Rpm (See Breakdowns)	2	
2	222173	(000000-008318)	Bracket, Mounting, Motor	2	
2	223564	(008921-	Bracket, Mounting, Motor	2	
3	375195	(000000-	Sprocket, Drive	2	
4	08713	(000000-	Nut-Hxlocnyln M 8X1.25 Reg Ss	4	
5	377505	(000000-	Belt, Replmt, Brush Drive, F/222201	2	
6	222174	(000000-008318)	Guard, Belt, Rh	1	
7	222175	(000000-008318)	Guard, Belt, Lh	1	
▽	222751	(000000-	Plug Drive Assy	2	
▲	8	222176	(000000-	Shaft, Drive Plug	1
▲	9	377333	(000000-	Plug, Drive, Brush, [48 Tooth - Gt/2]	1
▲	10	41360AM	(000000-	Bearing-Ball,0.59B 1.26D 0.35W	2
▲	11	01516	(000000-	Ring,Retain,Ex,0.59Od,Basic	1
▽	374082	(000000-	Door Assy, Brush	2	
▲	12	369460	(000000-	Door, Brush	1
▲▽	222752	(000000-	Plug Idler Assy	1	
▲▲	13	222177	(000000-	Shaft, Idler Plug	1
▲▲	14	222184	(000000-	Pin, Roll	1
▲▲	15	379202	(000000-	Plug, Brush	1
▲▲	16	01516	(000000-	Ring,Retain,Ex,0.59Od,Basic	1
▲	17	222180	(000000-	Skirt, Scrub Head	1
▲	18	08713	(000000-	Nut-Hxlocnylon M 8X1.25 Reg Ss	2
▲	19	222182	(000000-	Bar, Support	1
▲	20	74077	(000000-	Scr-Flt M8 X 1.25 25 Ss	2
▲	21	390996	(000000-	Scr-Flt M10 X 1.5 20, Ss NI	1
	22	07810	(000000-	Scr Flt M8 x 1.25 25	4
	23	44961	(000000-	Tie, Cable 4.00D Max 14.50 Lg	2
	24	01684	(000000-	Washer Flt .25 Ss	4
	25	74077	(000000-	Screw, Flat,M 8X1.25 Ss	2
	26	09740	(000000-	Scr Hexssm 8X1.25	2
	27	01685	(000000-	Washer Flt .31 Ss	6
	28	222209	(000000-	Spring, Door	2
	29	222791	(000000-008318)	Shield, Belt	2
	30	222818	(000000-	Scr-Set 8-32 X .25 Nylon Loc	4
	31	222850	(000000-008318)	Bracket, Shield	2
	32	222511	(000000-008318)	Skirt, Deflector	2
	33	223568	(008319-	Skirt, Deflector	2
	34	223566	(008319-	Bracket, Shield	2
	35	223569	(008319-	Gasket, Shield	2
	36	223563	(008319-	Shield, Belt	2
	37	15678	(008921-	Screw, Hex, M06 X 1.0 X 16, Ss	4
	38	223560	(008319-	Guard, Belt, Rh	1
	39	223561	(008319-	Guard, Belt, Lh	1
	40	76099	(000000-	Scr-Hxfmg M8 X 1.25 25	4
	41	222180	(000000-	Skirt, Scrub Head	2
	42	222182	(000000-	Bar, Support	2
	43	222863	(000000-008318)	Replm Kit, Seal	2
	44	222820	(000000-	Seal, Ring	2
	45	06942	(000000-	Screw, Hex, M06-1.0 X 16	4
	46	1010506	(000000-	Tool, Removal, Shaft, F/ 222176	1

Fig. 15 - Model 800C Scrub Head Frame Group, 800 mm (32 in)

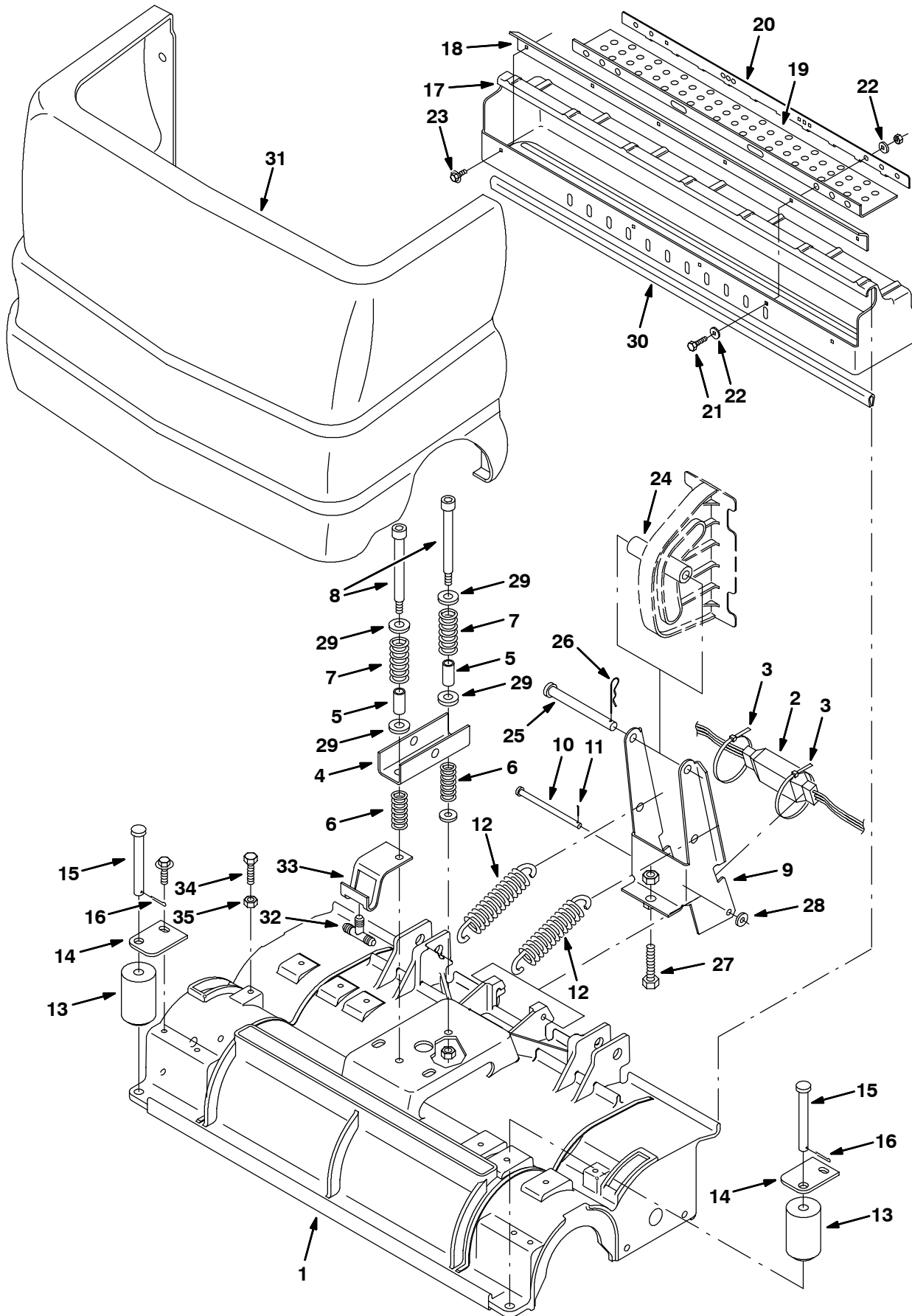


Fig. 15 - Model 800C Scrub Head Frame Group, 800 mm (32 in)

NOTE: Scrub Head Kit, Tennant Part Number 222016, includes Fig. 14, and Fig. 15.

Ref.	Tennant Part No.	Machine Serial Number	Description	Qty.
1	374010	(000000-008318)	Housing, Cyl, Replacement 32	1
1	223573	(008319-	Housing, Cyl, 32	1
2	222835	(000000-	Harness, Wire, Cyl Head, Elec	1
3	49263	(000000-	Tie Cable 3.00D Max 11.41Lg	2
4	222056	(000000-	Bracket, Mtg, Spring	1
5	50682	(000000-	Sleeve, .500B .62D1.31 Stl	2
6	63185	(000000-	Spring,Comp,.84Odx.10Wire 2.0L	2
7	45261	(000000-	Sprng,Comp,0.74Idx.11Wire 2.5L	2
8	45960	(000000-	Scr-Shld .500Dx4.25L .38- 16	2
9	222838	(000000-	Bracket, Pivot	1
10	222207	(000000-	Pin, Clevis, 0.31Dia X4.5Lg	1
11	08346	(000000-	Pin, Cotter .125X0.75	2
12	222363	(000000-	Spring, Tension	2
13	222178	(000000-	Roller, Bumper	2
14	222179	(000000-	Bracket, Mounting, Roller	2
15	222196	(000000-	Pin, Roller	2
16	08346	(000000-	Pin, Cotter .125X0.75	2
▽	222825	(000000-	Debris Tray Kit, 32 in	1
▲	17 391330	(000000-	Tray, Debris, 32	1
▲	18 222204	(000000-	Lip, Debris Tray 32"	1
▲	19 222669	(000000-	Skirt, Debris Tray	1
▲	20 222670	(000000-	Strip, Debris Tray	1
▲	21 09007	(000000-	Scr-Hexssm6X1.0 25	4
▲	22 01684	(000000-	Washer Flt .25 Ss	8
▲	23 74455	(000000-	Scr-Hxfmg M6 X 1.0 20	2
24	222055	(000000-	Roller, Linkage, Head	1
25	222197	(000000-	Pin, Clevis 0.50 Dia X 4.75Lg	1
26	02942	(000000-	Pin,Hair Cotter .12Wire 2.37Sl	1
27	05720	(000000-	Scr-Hexssm10X1.5 40 Full Thd	1
28	01685	(000000-	Washer Flt .31 Ss	1
29	32486	(000000-	Washer, Flt .50 SAE	4
30	374007	(000000-	Channel	1
31	398445	(000000-	Cover, Front, Rework	1
32	222536	(000000-	Fitting-Plastic Tee 06Bm/06Bm/	1
33	222523	(000000-	Bracket, Hose Guide	1
34	09023	(000000-	Screw, Hex, M08 X 1.25 X 35, Ss	2
35	08713	(000000-	Nut, Hex, Lock, M08 X 1.25, NI, Ss	2

STANDARD PARTS

Fig. 16 - Model 900C Scrub Head Drive Group, 900 mm (36 in)

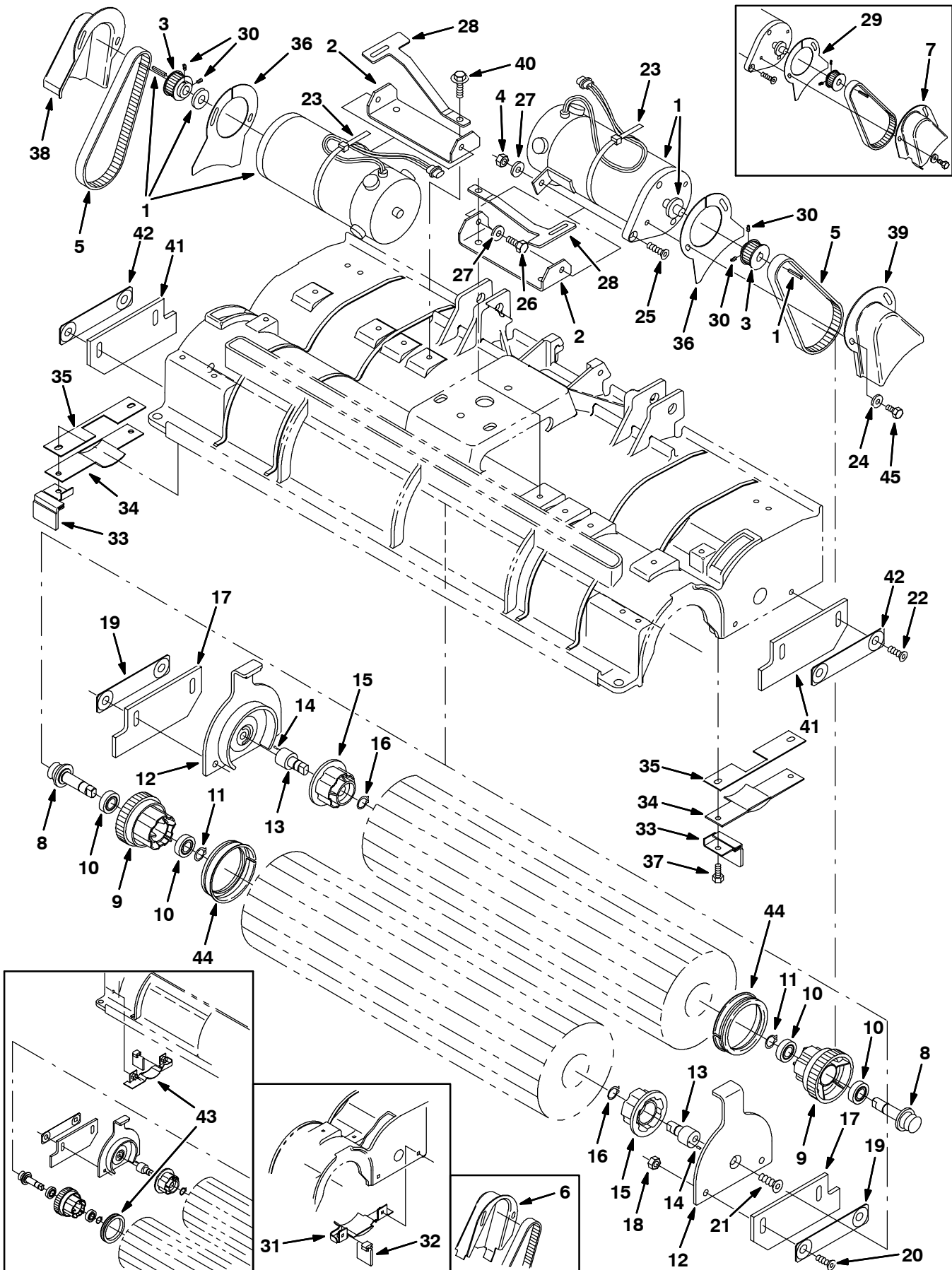


Fig. 16 - Scrub Head Drive Group, Model 900C, 900 mm (36 in)

NOTE: Scrub Head Kit, Tennant Part Number 222017, includes Fig. 16, and Fig. 17.

Ref.	Tennant Part No.	Machine Serial Number	Description	Qty.	
1	222753	(000000-018380)	Motor, .75 Hp, 36V, 1700Rpm (See Breakdowns)	2	
1	374175	(018381-	Motor Assy, Ele, 36V, 0.75Hp, 1700Rpm (See Breakdowns)	2	
2	222173	(000000-009665)	Bracket, Mounting, Motor	2	
2	223564	(008921-	Bracket, Mounting, Motor	2	
3	375195	(000000-	Sprocket, Drive	2	
4	08713	(000000-	Nut-Hxlocnyln M 8X1.25 Reg Ss	4	
5	377505	(000000-	Belt, Replmt, Brush Drive, F/222201	2	
6	222174	(000000-009665)	Guard, Belt, Rh	1	
7	222175	(000000-009665)	Guard, Belt, Lh	1	
▽	222751	(000000-	Plug Drive Assy	2	
▲	8	222176	(000000-	Shaft, Drive Plug	1
▲	9	377333	(000000-	Plug, Drive, Brush, [48 Tooth - Gt/2]	1
▲	10	41360AM	(000000-	Bearing-Ball,0.59B 1.26D 0.35W	2
▲	11	01516	(000000-	Ring,Retain,Ex,0.59Od,Basic	1
▽	374082	(000000-	Door Assy, Brush	2	
▲	12	369460	(000000-	Door, Brush	1
▲▽	222752	(000000-	Plug Idler Assy	1	
▲▲	13	222177	(000000-	Shaft, Idler Plug	1
▲▲	14	222184	(000000-	Pin, Roll	1
▲▲	15	379202	(000000-	Plug, Brush	1
▲▲	16	01516	(000000-	Ring,Retain,Ex,0.59Od,Basic	1
▲	17	222180	(000000-	Skirt, Scrub Head	1
▲	18	08713	(000000-	Nut-Hxlocnylon M 8X1.25 Reg Ss	2
▲	19	222182	(000000-	Bar, Support	1
▲	20	74077	(000000-	Scr-Flt M8 X 1.25 25 Ss	2
▲	21	390996	(000000-	Scr-Flt M10 X 1.5 20, Ss NI	1
	22	07810	(000000-	Scr Flt M8 x 1.25 25	4
	23	44961	(000000-	Tie, Cable 4.00D Max 14.50 Lg	2
	24	01684	(000000-	Washer Flt .25 Ss	4
	25	74077	(000000-	Screw, Flat,M 8X1.25 Ss	2
	26	09740	(000000-	Scr Hexssm 8X1.25	2
	27	01685	(000000-	Washer Flt .31 Ss	6
	28	222209	(000000-	Spring, Door	2
	29	222791	(000000-009665)	Shield, Belt	2
	30	222818	(000000-	Scr-Set 8-32 X .25 Nylon Loc	4
	31	222850	(000000-009665)	Bracket, Shield	2
	32	222511	(000000-009665)	Skirt, Deflector	2
	33	223568	(009666-	Skirt, Deflector	2
	34	223566	(009666-	Bracket, Shield	2
	35	223569	(009666-	Gasket, Shield	2
	36	223563	(009666-	Shield, Belt	2
	37	15678	(009666-	Screw, Hex, M06 X 1.0 X 16, Ss	4
	38	223560	(009666-	Guard, Belt, Rh	1
	39	223561	(009666-	Guard, Belt, Lh	1
	40	76099	(000000-	Scr-Hxfmg M8 X 1.25 25	4
	41	222180	(000000-	Skirt, Scrub Head	2
	42	222182	(000000-	Bar, Support	2
	43	222863	(000000-009665)	Replm Kit, Seal	2
	44	222820	(000000-	Seal, Ring	2
	45	06942	(000000-	Screw, Hex, M06-1.0 X 16	4
	46	1010506	(000000-	Tool, Removal, Shaft, F/ 222176	1

STANDARD PARTS

Fig. 17 - Model 900C Scrub Head Frame Group, 900 mm (36 in)

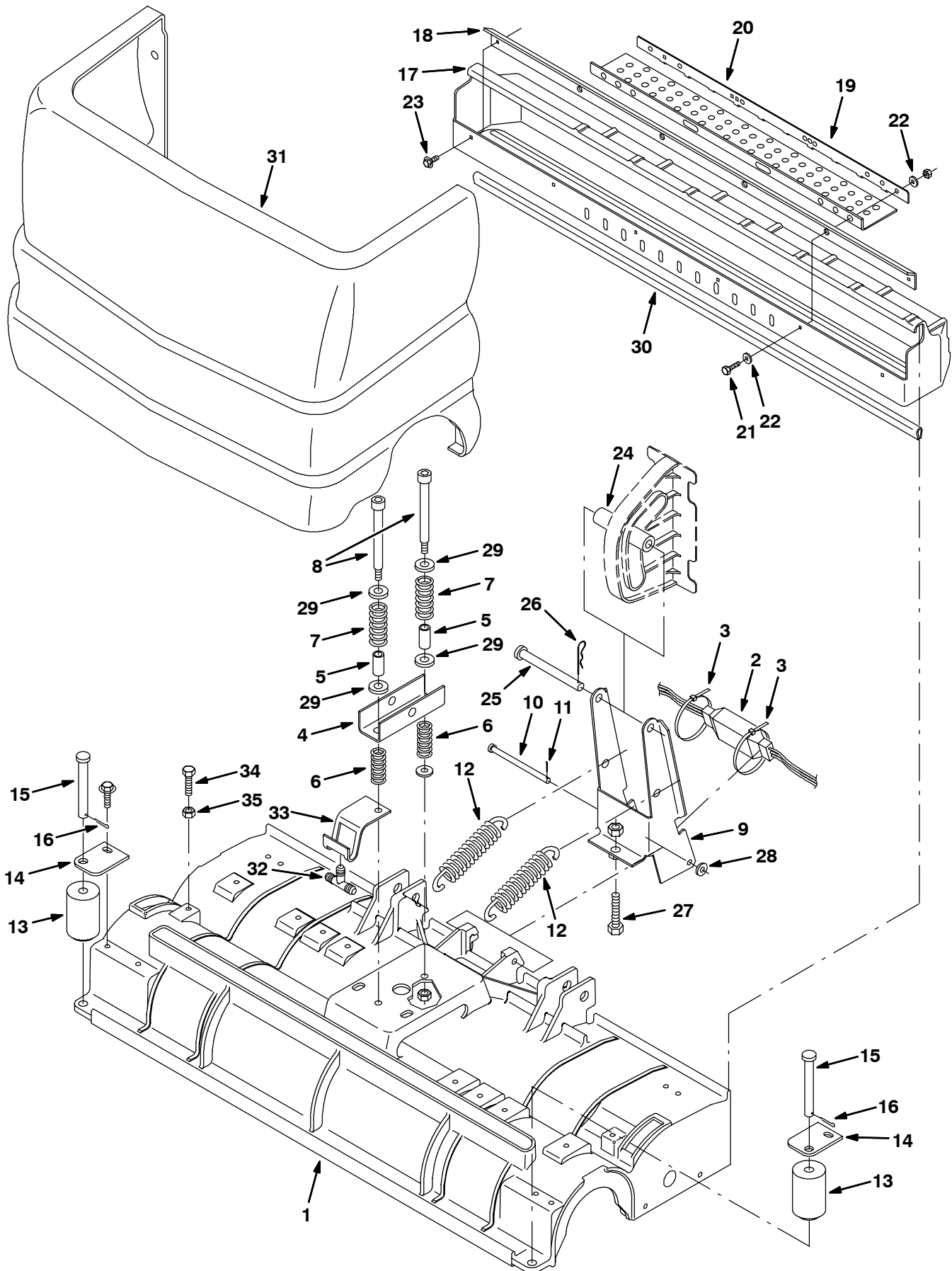


Fig. 17 - Model 900C Scrub Head Frame Group, 900 mm (36 in)

NOTE: Scrub Head Kit, Tennant Part Number 222017, includes Fig. 16, and Fig. 17.

Ref.	Tennant Part No.	Machine Serial Number	Description	Qty.
1	374011	(000000-009665)	Housing, Cyl, Replacement 36	1
1	223575	(009666-	Housing, Cyl, 36	1
2	222835	(000000-	Harness, Wire, Cyl Head, Elec	1
3	49263	(000000-	Tie Cable 3.00D Max 11.41Lg	2
4	222056	(000000-	Bracket, Mtg, Spring	1
5	50682	(000000-	Sleeve, .500B .62D1.31 Stl	2
6	63185	(000000-	Spring,Comp,.84Odx.10Wire 2.0L	2
7	45261	(000000-	Sprng,Comp,0.74Idx.11Wire 2.5L	2
8	45960	(000000-	Scr-Shld .500Dx4.25L .38- 16	2
9	222838	(000000-	Bracket, Pivot	1
10	222207	(000000-	Pin, Clevis, 0.31Dia X4.5Lg	1
11	08346	(000000-	Pin, Cotter .125X0.75	2
12	222363	(000000-	Spring, Tension	2
13	222178	(000000-	Roller, Bumper	2
14	222179	(000000-	Bracket, Mounting, Roller	2
15	222196	(000000-	Pin, Roller	2
16	08346	(000000-	Pin, Cotter .125X0.75	2
▽	222826	(000000-	Debris Tray Kit, 36 in	1
▲	17 223400	(000000-	Tray, Debris, 36	1
▲	18 222205	(000000-	Lip, Debris Tray, 36	1
▲	19 222669	(000000-	Skirt, Debris Tray	1
▲	20 222670	(000000-	Strip, Debris Tray	1
▲	21 09007	(000000-	Scr-Hexssm6X1.0 25	4
▲	22 01684	(000000-	Washer Flt .25 Ss	8
▲	23 74455	(000000-	Scr-Hxfmg M6 X 1.0 20	2
24	222055	(000000-	Roller, Linkage, Head	1
25	222197	(000000-	Pin, Clevis 0.50 Dia X 4.75Lg	1
26	02942	(000000-	Pin,Hair Cotter .12Wire 2.37Sl	1
27	05720	(000000-	Scr-Hexssm10X1.5 40 Full Thd	1
28	01685	(000000-	Washer Flt .31 Ss	1
29	32486	(000000-	Washer, Flt .50 SAE	4
30	374008	(000000-	Channel	1
31	398445	(000000-	Cover, Front, Rework	1
32	222536	(000000-	Fitting-Plastic Tee 06Bm/06Bm/	1
33	222523	(000000-	Bracket, Hose Guide	1
34	09023	(000000-	Screw, Hex, M08 X 1.25 X 35, Ss	2
35	08713	(000000-	Nut, Hex, Lock, M08 X 1.25, NI, Ss	2

Fig. 18 - Recovery Tank Group

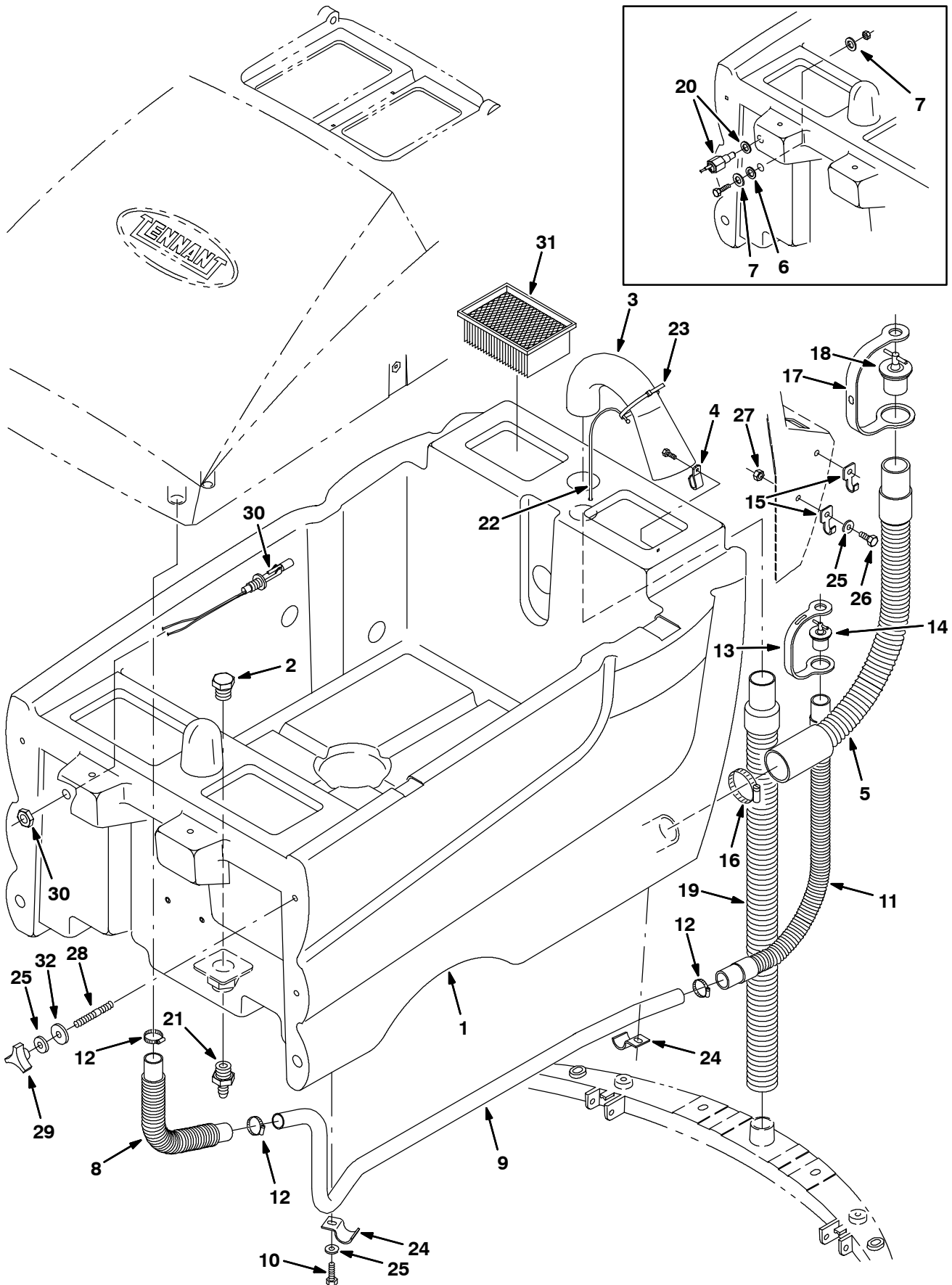


Fig. 18 - Recovery Tank Group

Ref.	Tennant Part No.	Machine Serial Number	Description	Qty.
1	398440	(000000-) Tank, Recovery	1
2	75611	(000000-) Ftg-Plug Npt 12Pm Rd Hd Plstc.	1
3	222361	(000000-) Hose, Inlet Recovery Tank	1
4	222793	(000000-019216) Clip, Hose, Hanger	1
5	374059	(000000-) Hose & Cuff Assy, Drain .5ld 27.5L	1
6	01316	(000000-020102) Washer, .660B 1.00D .12 Rbr	1
7	04400	(000000-020102) Washer- Flt 17 X30X3 Ss M16	2
8	222194	(000000-) Hose, Drain, Flex	1
9	222151	(000000-) Tube, Drain	1
10	09740	(000000-) Scr-Hexssm 8X1.25 20	2
11	222788	(000000-) Hose, Drain, Tank, Solution	1
12	11399	(000000-) Clamp-Wormdrive, 0.81- 1.50D	3
13	222517	(000000-) Strap, Cap Retainer	1
14	374111	(000000-) Plug, Expandable 1.00 Dia	1
15	222793	(000000-) Clip, Hose, Hanger	2
16	14432	(000000-) Clamp-Wormdrive, 1.81- 2.75D	1
17	222383	(000000-) Strap, Drainhose	1
18	398850	(000000-) Plug, Expandable 1.5D X 1.75L	1
19	374060	(000000-) Hose & Cuff Assy, Vacuum 1.51D 32L	1
20	222827	(000000-004327) Sensor Kit, Liq Level	1
21	79273-1	(000000-) Ftg,Plstc,Cplg,Barb.75Pt-.50Hs	1
22	222667	(000000-) Cable Assy, Hose Retainer	1
23	49263	(000000-) Tie, Cable 3.00D Max 11.41Lg	1
24	69234	(000000-) Clamp, Cable, 1.00D 0.62W Stl	2
25	01685	(000000-) Washer Flt .31 Ss	8
26	15675	(000000-) Scr Hexssm 8X1.25	2
27	08713	(000000-) Nut-Hxlocnyln M 8X1.25 Reg Ss	2
28	30324	(000000-) Stud, M8X1.25 20 8.8 Pltd	4
29	222470	(000000-) Knob, M8X1.25 Insert	4
30	222822	(004328-) Switch, Float	1
31	370113	(006956-) Filter, Vac Fan	1
32	30013	(000000-) Washer, Flat, .31 Fender	4

Fig. 19 - Solution Tank Group

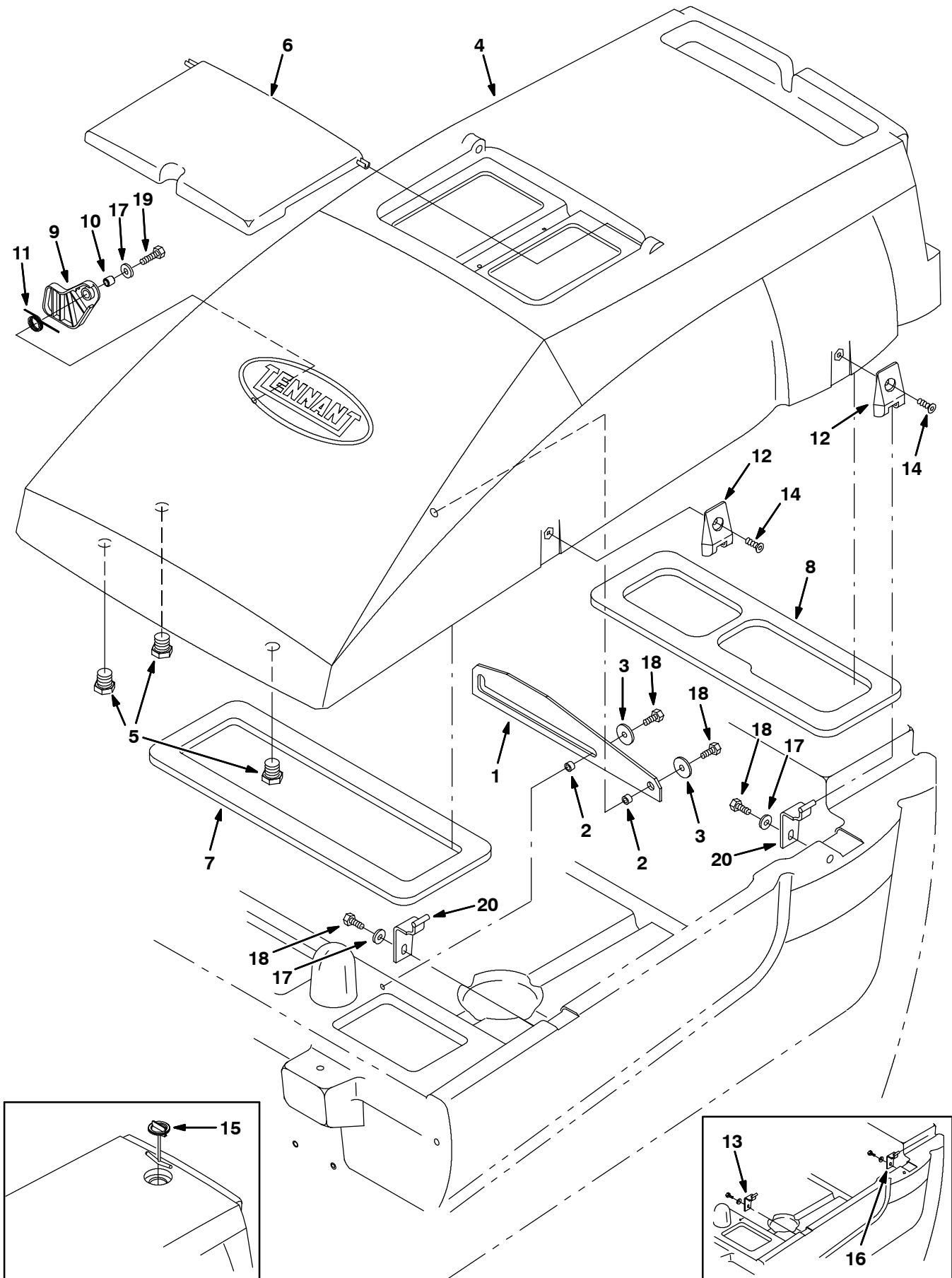


Fig. 19 - Solution Tank Group

Ref.	Tennant Part No.	Machine Serial Number	Description	Qty.
1	397705	(000000-) Bracket, Prop Arm	1
2	222516	(000000-) Sleeve, .318B .496D .312 Ss	2
3	30013	(000000-) Washer-Flt .31 Fender Pltd	2
398430AM 4	222713	(000000-) Tank, Solution, w/Label	1
5	75611	(000000-) Ftg-Plug Npt 12Pm Rd Hd Plstc.	3
6	222712	(000000-) Cover, Solution Tank, w/Label	1
7	222120	(000000-) Gasket, Tank, Front	1
8	222121	(000000-) Gasket, Tank, Rear	1
9	222406	(000000-) Stop, Tank	1
10	222460	(000000-) Sleeve	1
11	222462	(000000-) Spring, Torsion	1
12	222529	(000000-) Hinge Leaf	2
13	222527	(000000-019873) Hinge Wldt, Leaf	1
14	222463	(000000-) Scr-Flt M 8X1.25 20 Blk Nyloc	2
15	222590	(000000-002814) Plug, Solution Tank	1
16	222689	(000000-019873) Hinge Leaf, Wldt, Rear	1
17	01685	(000000-) Washer Flt .31 Ss	3
18	09740	(000000-) Scr-Hexssm 8X1.25 20	4
19	12333	(000000-) Scr-Hexssm 8X1.25 25 Nyloloc	1
20	398485	(019874-) Hinge Wldt, Leaf	2

Fig. 20 - Vacuum Fan Group

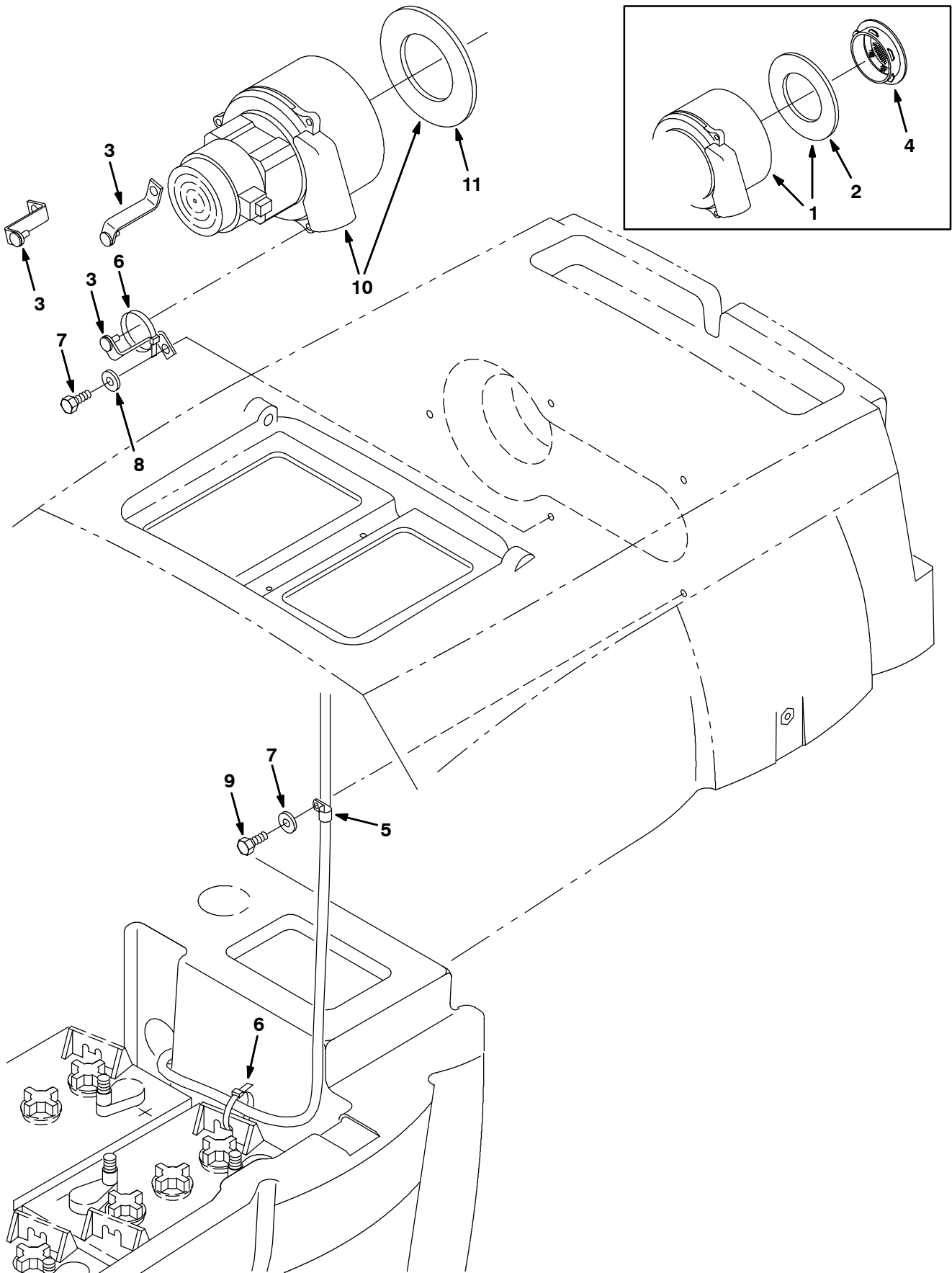


Fig. 20 - Vacuum Fan Group

	Ref.	Tenant Part No.	Machine Serial Number	Description	Qty.
▽	1	17363	(000000-020343)	Fan, Vac (See Breakdowns)	1
▲	2	223264	(000000-020343)	Seal, Vac Fan	1
	3	222122	(000000-)	Bracket, Mounting, Vac Fan	3
	4	370114	(000000-006955)	Filter, Vac Fan 5700, Field Kit	1
	5	40678	(000000-)	Clamp-Cable, 0.44D 0.62W	1
	6	49266	(000000-)	Tie, Cable 1.75D Max 7.50Lg	2
	7	09740	(000000-)	Scr-Hexssm 8X1.25 20	3
	8	01685	(000000-)	Washer Flt .31 Ss	4
	9	15675	(000000-)	Scr Hexssm 8X1.25 16	1
▽	10	398520	(020344-)	Fan Assy, Vacuum (See Breakdowns)	1
▲	11	223264	(020344-)	Seal, Vac Fan	1

Fig. 21 - Solution Control Group

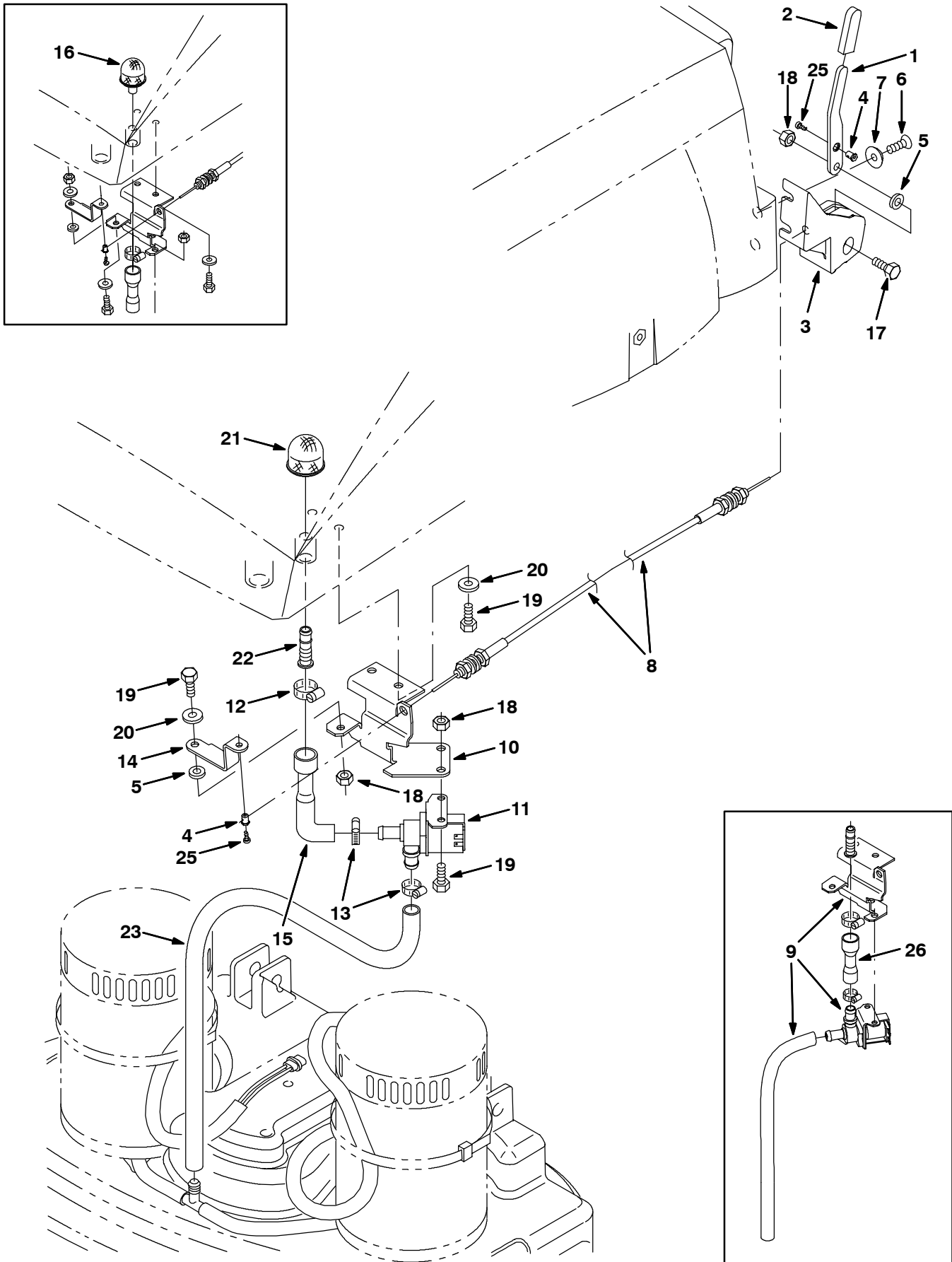


Fig. 21 - Solution Control Group

Ref.	Tennant Part No.	Machine Serial Number	Description	Qty.
1	222185	(000000-) Lever, Control	1
2	222190	(000000-) Grip, Handle	1
3	222186	(000000-) Housing, Control Lever	1
4	43242	(000000-) Swivel	2
5	43454	(000000-) Washer, .344B .69D .06Nylon	2
6	222463	(000000-) Scr-Flt M 8X1.25 20 Blk Nyloc	2
7	222466	(000000-) Washer, Finish M8 Blk	2
8	222188	(000000-) Cable Assy, Water	1
9	374132	(000000-019082) Kit, Ci, Sol Valve [5700]	1
10	397787	(019083-) Bracket, Mtg, Valve	1
11	374752	(019083-) Valve, Solenoid	1
12	86824	(000000-) Clamp-Wormdrive 0.50-1.06D	1
13	54333	(000000-) Clamp-Wormdrive, 0.31- 0.88D	2
14	222097	(000000-) Lever, Valve	1
15	397777	(000000-) Hose, Rbr, E90, .62Id 0.81Id	1
16	222812	(000000-002491) Replm Kit, Screen	1
17	09011	(000000-) Scr Hexssm 8X1.25 30	1
18	08713	(000000-) Nut-Hxlocnyln M 8X1.25 Reg Ss	4
19	09740	(000000-) Scr-Hexssm 8X1.25 20	3
20	01685	(000000-) Washer Flt .31 Ss	3
21	222742	(002492-) Screen, Drain	1
22	222728	(002492-) Ftg Str Plastic	1
23	374753	(019083-) Hose, Pvc	1
24	15675	(019083-) Screw, Hex, M08 X 1.25 X 16, Ss	2
25	32515	(019083-) Screw, Pan, #08 -32 X 0.38	2
26	222090	(000000-019082) Hose, Rbr, Pinch Valve	1

Fig. 22 - Battery Group

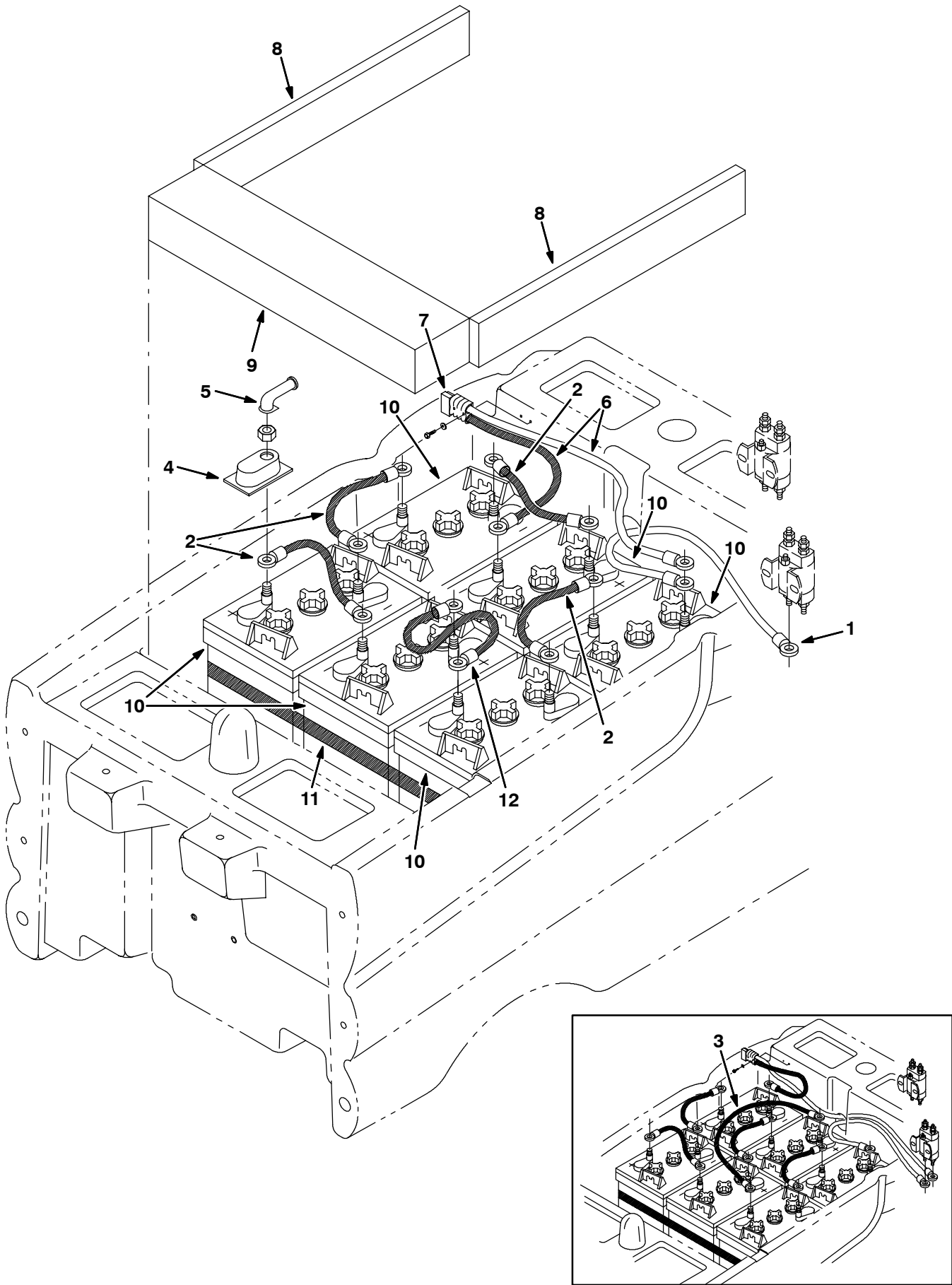


Fig. 22 - Battery Group

Ref.	Tenant Part No.	Machine Serial Number	Description	Qty.	
1	222218	(000000-) Cable, Battery	1	
2	63735	(000000-) Cable Assy-Lead, 11.0, 6Ga	4	
3	222510	(000000-019704) Cable, Battery	1	
4	45962	(000000-) Cover, Terminal,Poly	12	
5	02076	(000000-) Boot, 90Deg .50D .57X .84	12	
▽	6	222217	(000000-) Harness, Cable, Battery	1
▲	7	24881	(000000-) Connector, Grey, SB50	1
▽		222778	(000000-) Battery Kit 36V 235Ah Wet	1
▲	8	222473	(000000-) Spacer, Battery .62X1.5X21.0	2
▲	9	222474	(000000-) Spacer, Battery 3.0X4.3X21.0	1
▲	10	222280	(000000-) Battery, 6V, Res Cap: 129 Wet	6
	11	222682	(000000-) Strap, Poly, Webbing, 100" L	1
	12	63735	(019705-) Cable Assy-Lead, 11.0, 6Ga	1

Fig. 23 - Power Steering Control Group

Ref.	Tennant Part No.	Machine Serial Number	Description	Qty.
1	222740	(000000-) Handle, Speed Control	1
2	222648	(000000-) Grip, Handle Round	2
3	222829	(000000-003054) Seal Kit, Steering Control	2
4	222079	(000000-) Gear, Speed Control	1
5	222501	(000000-) Washer Spacer Speed Control	1
6	222077	(000000-) Handle, Steering	1
7	10632-17	(000000-) Grommet, Rbr,0.50ld,For.12Matl	1
8	49514	(000000-) Bearing, Snap .875 Bore	2
9	222081	(000000-) Spring, Torsion Centering	1
10	222075	(000000-012684) Bracket, Potentiometer	1
11	222211	(000000-001907) Potentiometer, Elect	2
12	222607	(000000-) Nut-Hx Thin .38-32	1
13	27974	(000000-) Gear, 28 T. 24P	2
14	222046	(000000-) Gear, Pivot, Steering	1
15	222042	(000000-) Spring, Torsion	1
16	30013	(000000-) Washer-Flt .31 Fender Pltd	1
17	222076	(000000-) Pivot Wldt, Steering	1
18	04928	(000000-) Bearing, Flg, Du .75 I.D	2
19	222673	(000000-) Bracket, Stop, Spring	1
20	222675	(000000-) Bracket, Clamp, Potentiometer	1
21	222268	(000000-) Washer,.375B1.25D .12 Neopr	1
22	222083	(000000-) Plate, Shield	1
23	222465	(000000-) Scr-Flat M 3X0.5	2
24	222786	(003055-) Washer, Polyethylene	2
25	11635	(000000-) Scr-Hexssm 6X1.0 12 Nylonloc	2
26	49826	(000000-) Scr-Hexssm 8X1.25 16 Nylon Loc	1
27	15678	(000000-) Screw Hexssm 6X1.0	4
28	01684	(000000-) Washer Flt .25 Ss	4
29	222761	(001908-) Potentiometer Assy, Electronic	1
30	222211	(001908-) Potentiometer Assy, Electric	1
31	222785	(003055-) Spring, Compression	2
32	222464	(000000-) Screw, Flat, M06-1.0 X 16, NI	2
33	374091	(012685-) Bracket, Potentiometer	1
34	222158	(012685-) Screw, Hex, Fmg, M06-1.0 X 10	2

Fig. 24 - Operator Console Group (000000-017945)

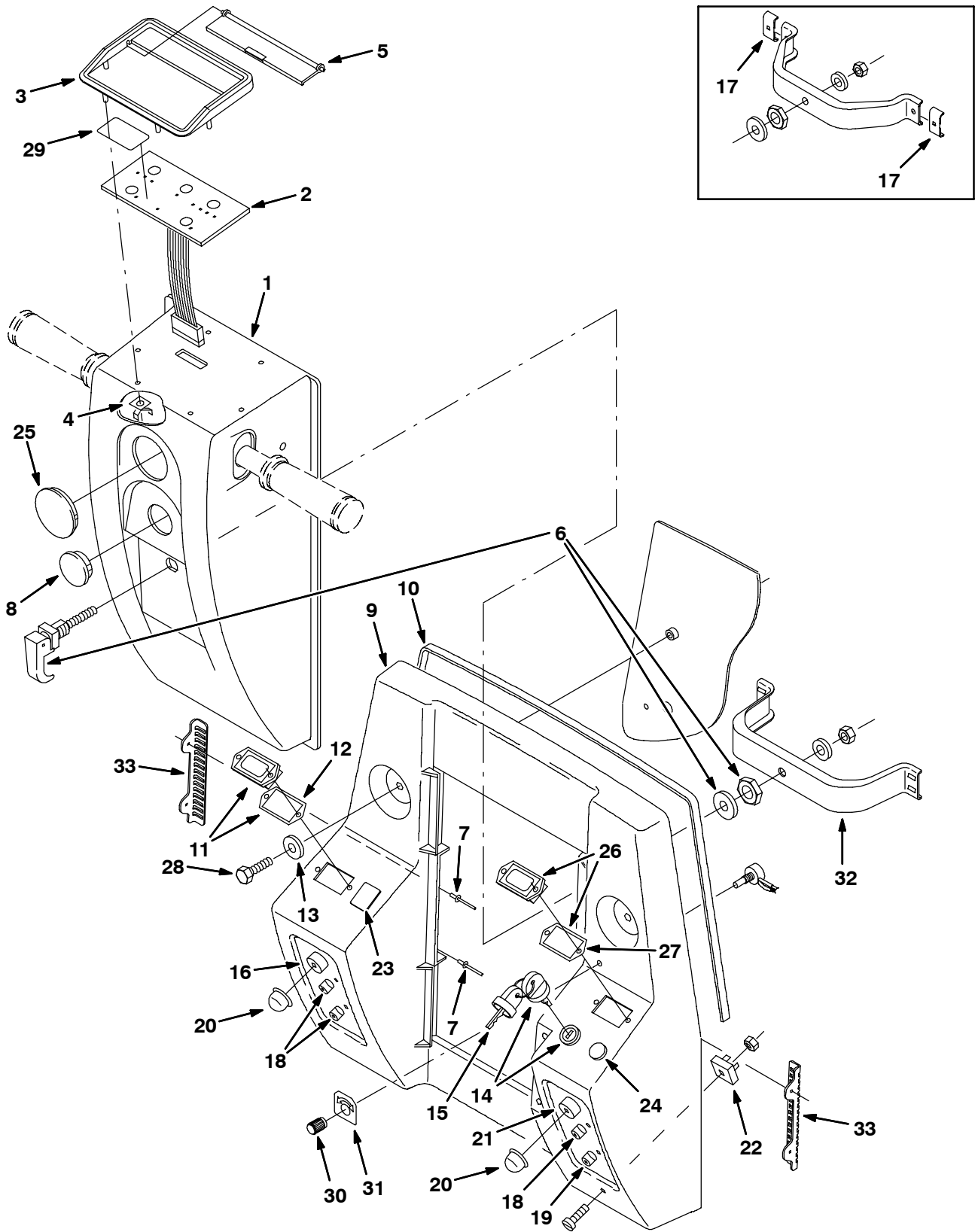


Fig. 24 - Operator Console Group (000000-017945)

Ref.	Tennant Part No.	Machine Serial Number	Description	Qty.	
1	222716	(000000-017945)	Housing, Steering, Adj, Elec, w/Label	1	
2	222101	(000000-017945)	Panel, Touch, Switch	1	
3	222102	(000000-017945)	Bezel, Panel, Touch	1	
4	05280	(000000-017945)	Clip, Stud, Receiver Speed	6	
5	222103	(000000-017945)	Door, Panel, Touch	1	
6	222225	(000000-017945)	Latch	1	
7	34738	(005151-017945)	Rivet, Pop, .125D X .32 X .25Dhd	4	
8	76888	(000000-017945)	Plugbtn 1.25H .12 Max Blacknyl	1	
9	222801	(000000-017945)	Replm Kit, Rear Panel	1	
10	222639	(000000-017945)	Seal, Rbr, .12X .38 X 36.0	1	
▽	11	222115	(000000-017945)	Meter, Discharge, Battery	1
▲	12	222683	(000000-017945)	Gasket, Hourmeter	1
	13	30013	(000000-017945)	Washer-Flt .31 Fender Pltd	2
▽	14	222282	(000000-017945)	Switch Assy, Key Spst	1
▲	15	222684	(000000-017945)	Key Set	1
	16	57164	(000000-017945)	Breaker-Circuit 10 Resetable	1
	17	222679	(000000-002267)	Strip, Stop, Adj. Shroud	2
	18	222296	(000000-017945)	Breaker, Circuit 20 Amp	3
	19	222297	(000000-017945)	Breaker, Circuit, 25 Amp	1
	20	57751	(000000-017945)	Boot-Circuit Breaker	2
	21	87583	(000000-017945)	Breaker-Circuit 2.5 Resetable	1
	22	10962	(000000-017945)	Diode, Bridge 12 Amp	1
	23	222534	(000000-017945)	Plug, Switch	1
	24	56992	(000000-017945)	Plugbtn .50H .03-.12 Blacknyl	1
	25	222834	(000000-017945)	Plug, Power Steering 2.08 Dia	1
▽	26	222114	(000000-017945)	Hourmeter	1
▲	27	222683	(000000-017945)	Gasket, Hourmeter	1
	28	09010	(000000-017945)	Scr Hexssm 8X1.25 25	2
	29	222685	(000000-017945)	Label, Blank, Dark Gray	1
	30	222760	(001908-017945)	Knob, Potentiometer 0.125 Shaft	1
	31	222764	(001908-017945)	Label, Steering Adjustment	1
	32	222747	(002268-017945)	Bracket, Locking, Shroud	1
	33	222879	(005151-017945)	Bracket, Steering Adjustment	2

Fig. 25 - Operator Console Group (017946-)

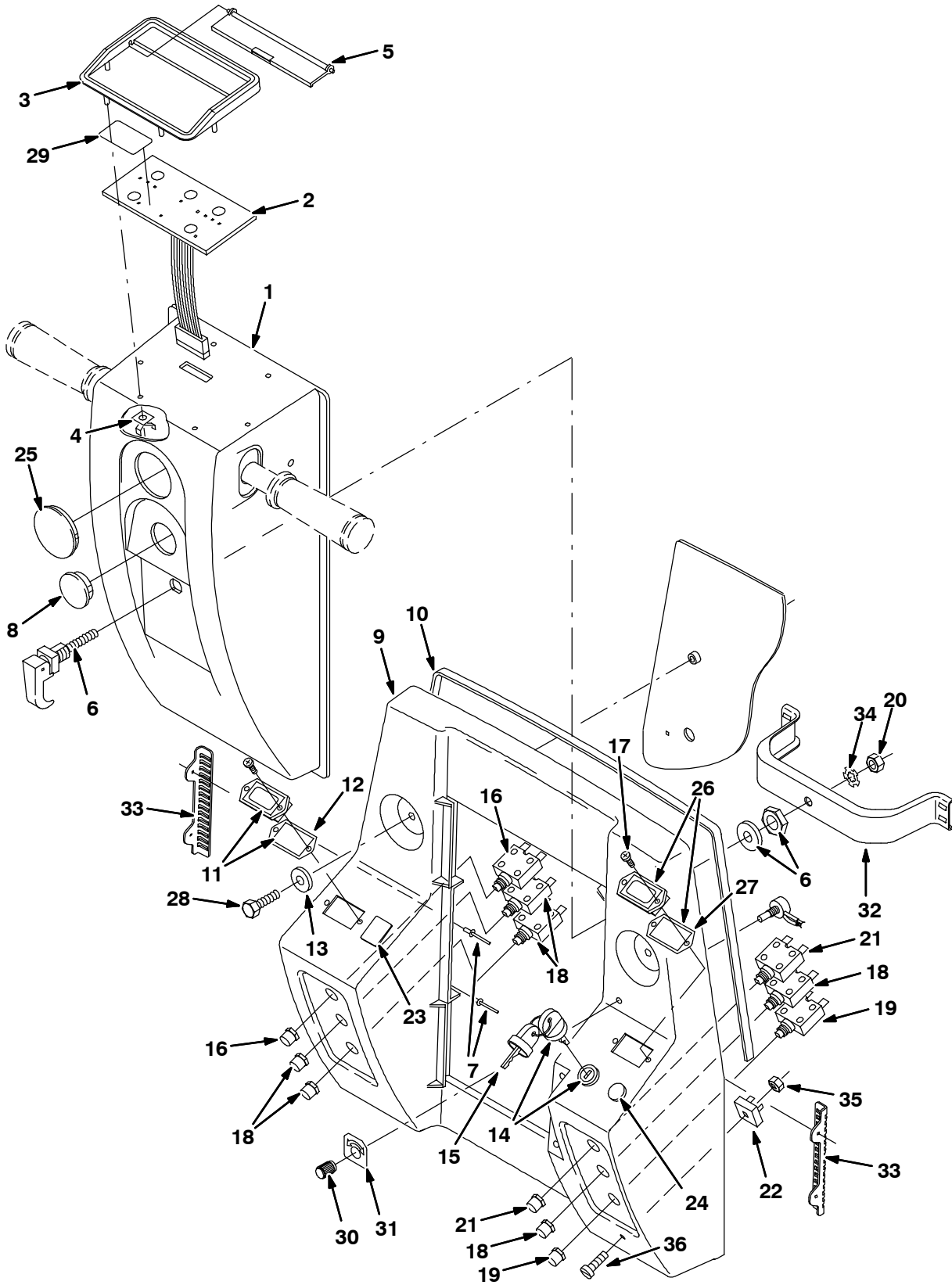


Fig. 25 - Operator Console Group (017946-)

Ref.	Tennant Part No.	Machine Serial Number	Description	Qty.	
1	222716	(017946-)	Housing, Steering, Adj, Elec, w/Label	1	
2	222101	(017946-)	Panel, Touch, Switch	1	
3	222102	(017946-)	Bezel, Panel, Touch	1	
4	05280	(017946-)	Clip, Stud, Receiver Speed	6	
5	222103	(017946-)	Door, Panel, Touch	1	
6	222225	(017946-)	Latch	1	
7	34738	(017946-)	Rivet, Pop, .125D X .32 X .25Dhd	4	
8	76888	(017946-)	Plugbtn 1.25H .12 Max Blacknyl	1	
9	368590	(017946-)	Kit, Ci, Rplmt, Rear Panel	1	
10	222639	(017946-)	Seal, Rbr, .12X .38 X 36.0	1	
▽	11	222115	(017946-)	Meter, Discharge, Battery	1
▲	12	222683	(017946-)	Gasket, Hourmeter	1
	13	30013	(017946-)	Washer-Flt .31 Fender Pltd	2
▽	14	222282	(017946-)	Switch Assy, Key Spst	1
▲	15	222684	(017946-)	Key Set	1
	16	383721	(017946-)	Circuitbreaker, 10.0A	1
	17	222267	(017946-)	Screw, Pan, #06-20 X 0.50, Fmg	4
	18	383723	(017946-)	Circuitbreaker, 20.0A	3
	19	383724	(017946-)	Circuitbreaker, 25.0A	1
	20	39311	(017946-)	Nut, Hex, Std, M08 X 1.25	1
	21	383720	(017946-)	Circuitbreaker, 5.0A	1
	22	10962	(017946-)	Diode, Bridge 12 Amp	1
	23	222534	(017946-)	Plug, Switch	1
	24	56992	(017946-)	Plugbtn .50H .03-.12 Blacknyl	1
	25	222834	(017946-)	Plug, Power Steering 2.08 Dia	1
▽	26	222114	(017946-)	Hourmeter	1
▲	27	222683	(017946-)	Gasket, Hourmeter	1
	28	09010	(017946-)	Scr Hexssm 8X1.25 25	2
	29	222685	(017946-)	Label, Blank, Dark Gray	1
	30	222760	(017946-)	Knob, Potentiometer 0.125 Shaft	1
	31	222764	(017946-)	Label, Steering Adjustment	1
	32	222747	(017946-)	Bracket, Locking, Shroud	1
	33	222879	(017946-)	Bracket, Steering Adjustment	2
	34	41141	(017946-)	Washer, Lock, Int-Ext, .31	1
	35	06549	(017946-)	Nut, Hex, Lock, M05 X 0.8, NI	1
	36	06934	(017946-)	Screw, Pan, M05 X 0.8 X 20, 4.8	1

Fig. 26 - Electrical Panel Group

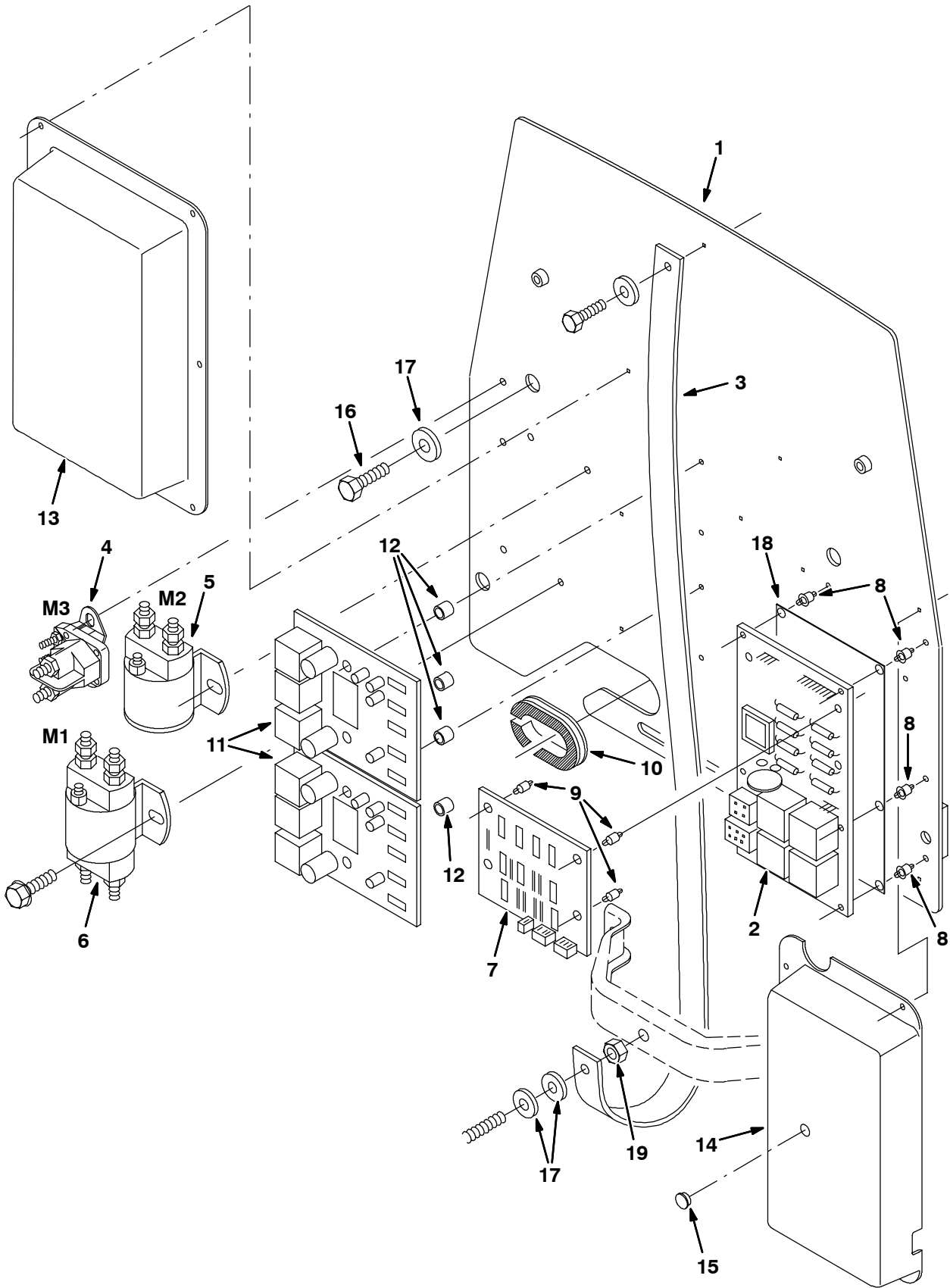


Fig. 26 - Electrical Panel Group

Ref.	Tenant Part No.	Machine Serial Number	Description	Qty.
1	222495	(000000-) Plate Wldt, Electronics	1
2	370174	(000000-) Kit, Replmt, Controller, Mach, 5700Xp	1
3	222450	(000000-) Strap, Lanyard	1
4	375091	(000000-) Contactor, 36Vdc	1
5	45405	(000000-) Contactor, 36Vdc	1
6	63291	(000000-) Contactor, Power	1
7	222773	(000000-001907) Replm Kit, Power Steering	1
7	222756	(001908-) Circuit Board Assy, Power Strg	1
8	222493	(000000-) Clip, Circuit Board	6
9	222266	(000000-) Clip, Circuit Board	4
10	10632-13	(000000-) Grommet,Rbr,1.50ld,For .19Matl	1
11	222294	(000000-) Controller, Propel, 1208A	2
12	222104	(000000-) Spacer, .375 X .375 Od	4
13	222538	(000000-) Cover, Ps Circuit Board	1
14	222472	(000000-) Cover, Electronic Board	1
15	01314	(000000-) Plugbtn .38H .03-.12 Blacknyl	1
16	09740	(000000-) Scr-Hexssm 8X1.25 20	4
17	01685	(000000-) Washer Flt .31 Ss	6
18	222727	(000000-) Insulator, Circuit Board	1
19	39311	(000000-) Nut, Hex, Std, M08 X 1.25	1

Fig. 27 - Squeegee Lift Group

Ref.	Tennant Part No.	Machine Serial Number	Description	Qty.
1	222460	(000000-) Sleeve	1
2	222139	(000000-) Lever, Squeegee Lift	1
3	222448	(000000-) Lever, Squeegee Lift, Upper	1
4	222647	(000000-) Grip, Handle, Oblong	1
5	222665	(000000-) Bumper, Handle	1
6	374745	(000000-) Pivot, Squeegee Lift	1
7	222400	(000000-) Cam, Fan Switch	1
8	222799	(000000-004130) Replm Kit, Squeegee Pivot	1
9	57889	(000000-) Sprng,Comp,0.59Idx.05Wire 0.6L	1
10	222138	(000000-) Bracket, Catch	1
11	222227	(000000-) Cable, Squeegee Lift	1
12	01685	(000000-) Washer Flt .31 Ss	1
13	08713	(000000-) Nut-Hxlocnyln M 8X1.25 Reg Ss	1
14	01684	(000000-) Washer Flt .25 Ss	5
15	15678	(000000-) Screw, Hexssm 6X1.0	1
16	08712	(000000-) Nut Hxlocnyln M 6X1.0 Reg Ss	1
17	79506	(000000-) Scr-Flt M 8X1.25 30 Ss18-8	1
18	222402	(000000-) Bracket, Fan Switch	1
19	11329	(000000-) Screw, Hexssm 6X1.0 16 Nylonloc	2
20	222868	(004131-) Bearing, Flange	1
21	222867	(004131-) Plate, Squeegee Pivot	1
22	34738	(004131-) Rivet, Pop -.125D X .32 X .25Dhd St	2

Fig. 28 - Auto Squeegee Lift Group

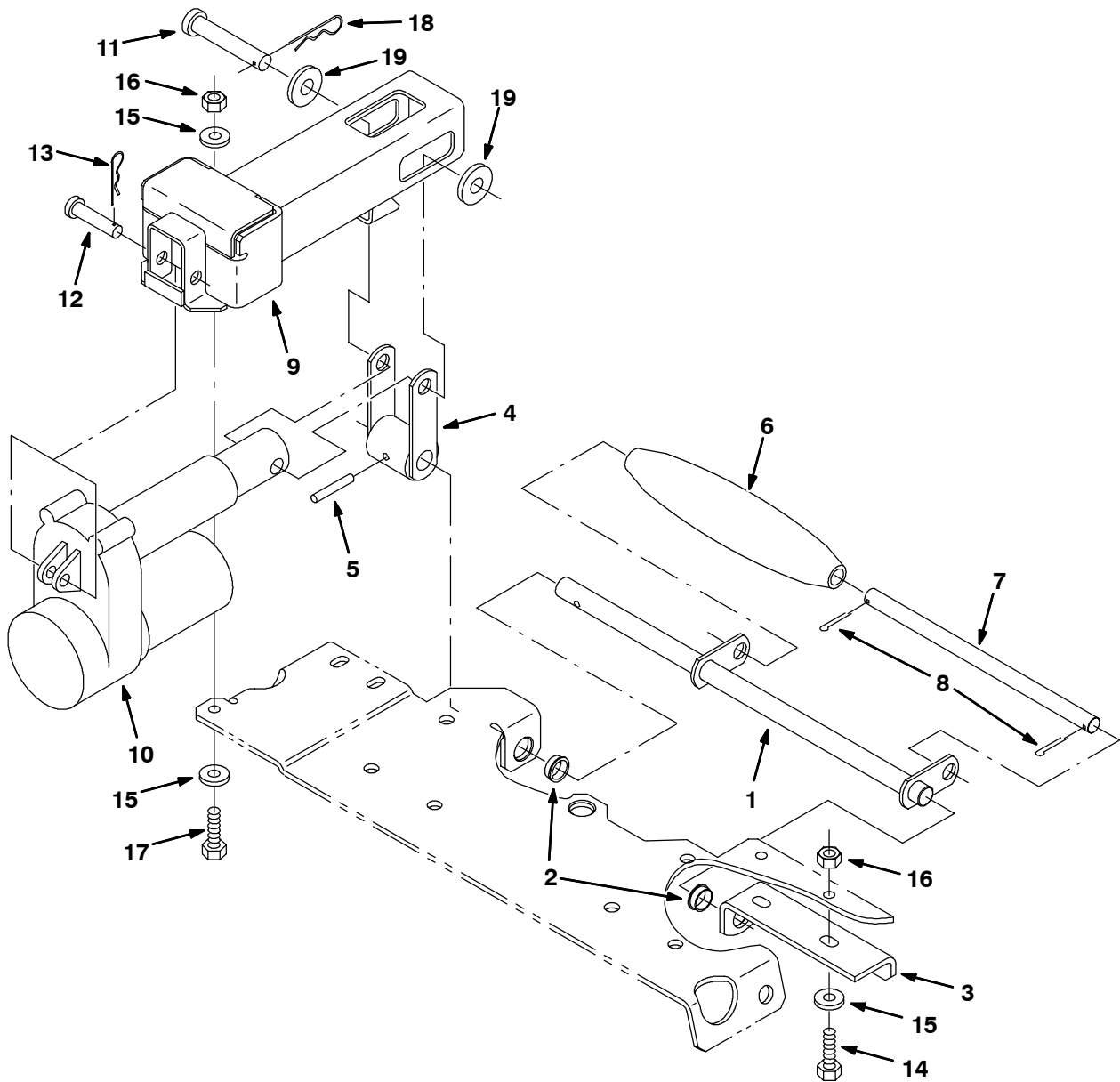


Fig. 28 - Auto Squeegee Lift Group

Ref.	Tennant Part No.	Machine Serial Number	Description	Qty.
1	222251	(000000-) Rod Wldt, Linkage, Sqge	1
2	04843	(000000-) Bearing, Flange .625 Bore	2
3	222651	(000000-) Bracket, Lift Retainer	1
4	222252	(000000-) Lever Wldt	1
5	26315	(000000-) Pin, Roll, .25Odx1.50L, .250/.256	1
6	222249	(000000-) Roller, Sqge, Auto	1
7	222250	(000000-) Pin, Roller	1
8	08179	(000000-) Pin, Cotter .094X1.00	2
9	222584	(000000-) Channel Wldt, Actuator	1
10	222539	(000000-) Actuator, 36V, 1.75 Stroke	1
11	23683	(000000-) Pin, Clevis, 0.50 Dia. X 3.00 Lg	1
12	17461	(000000-) Pin, Clevis, 0.37 Dia. X 1.75 Lg	1
13	86866	(000000-) Pin, Hair Cotter .375D .072Wir	1
14	09010	(000000-) Scr Hexssm 8X1.25 25	2
15	01685	(000000-) Washer Flt .31 Ss	6
16	08713	(000000-) Nut-Hxlocnyln M 8X1.25 Reg Ss	3
17	09740	(000000-) Scr Hexssm 8X1.25	3
18	02942	(000000-) Pin, Hair Cotter .12Wire 2.37Sl	1
19	41619	(000000-) Washer Flt .50 Ss	2

Fig. 29 - Squeegee Linkage Group

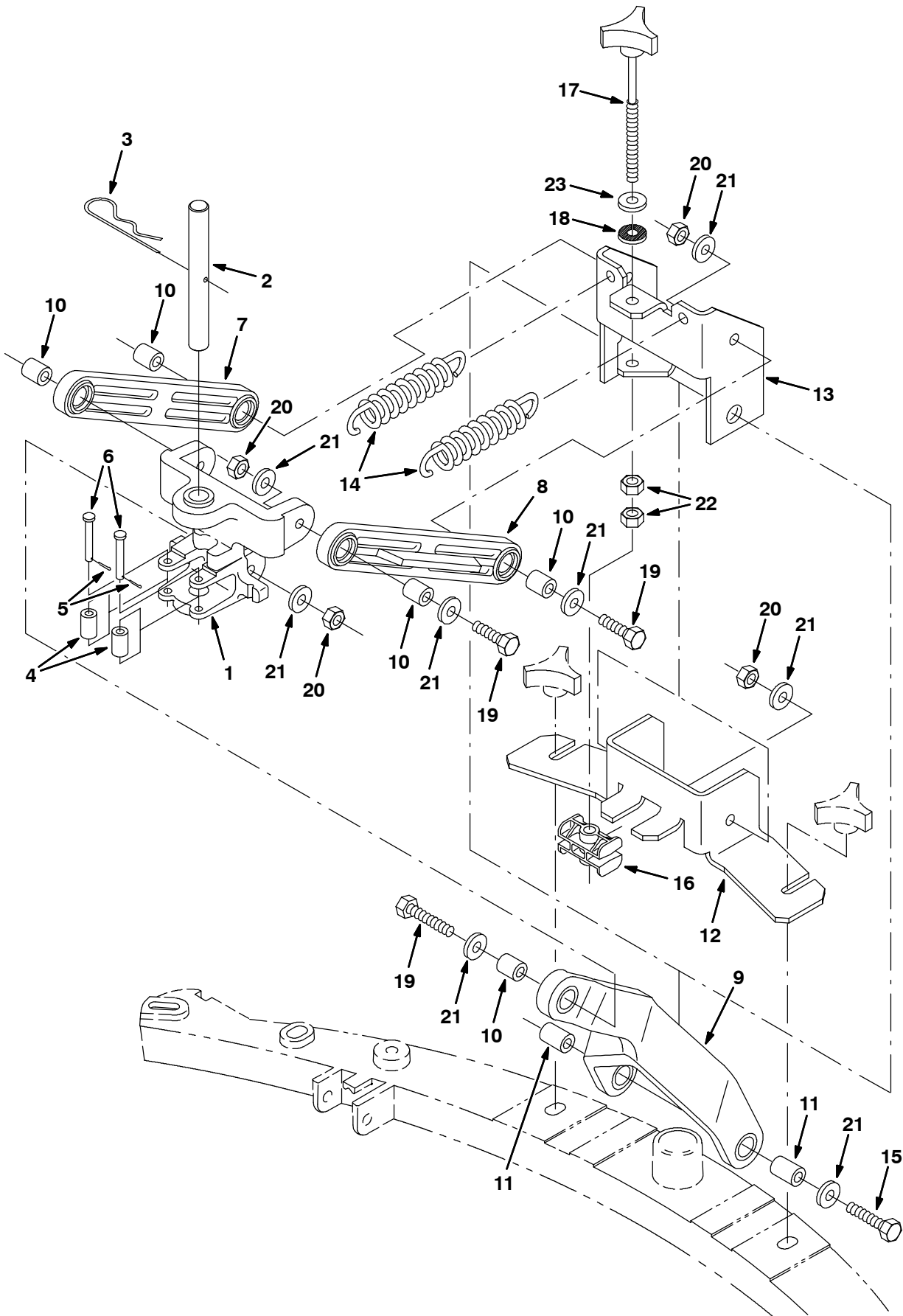


Fig. 29 - Squeegee Linkage Group

Ref.	Tennant Part No.	Machine Serial Number	Description	Qty.
1	222399	(000000-) Block, Pivot, Machined	1
2	222239	(000000-) Pin, Pivot Block	1
3	02942	(000000-) Pin,Hair Cotter .12Wire 2.37Sl	1
4	222468	(000000-) Roller, Sqge Centering	2
5	08178	(000000-) Pin, Cotter .062X0.75	2
6	05283	(000000-) Pin, Clevis 6 Dia X 40 Lg	2
7	222235	(000000-) Link, Squeegee Lift, Upper Rt	1
8	222486	(000000-) Link, Squeegee Lift, Upper Lt	1
9	222234	(000000-) Link, Squeegee Lift, Lower	1
10	222248	(000000-) Sleeve, .344B .62D.72 Bronze	5
11	222277	(000000-) Sleeve, .344B .62D.93 Bronze	2
12	222230	(000000-) Bracket, Linkage, Lower	1
13	222231	(000000-) Bracket, Linkage, Upper	1
14	222236	(000000-) Spring, Tension	2
15	09026	(000000-) Scr Hexssm 8X1.25 40	2
16	222233	(000000-) Block, Squeegee, Adjust	1
17	222153	(000000-) Knob, W/M8 1.25X125Lg Stud	1
18	63416	(000000-) Washer, .31OB .88D .12Rbr	1
19	222505	(000000-) Scr Hexssm 8X1.25 45	5
20	08713	(000000-) Nut-Hxlocnyln M 8X1.25 Reg Ss	7
21	01685	(000000-) Washer Flt .31 Ss	14
22	07786	(000000-) Nut Hx Ss M 8X1.25	2
23	01686	(000000-) Washer Flt .38 Ss	1

Fig. 30 - Tight-Aisle Squeegee Group, 550 mm (22 in)

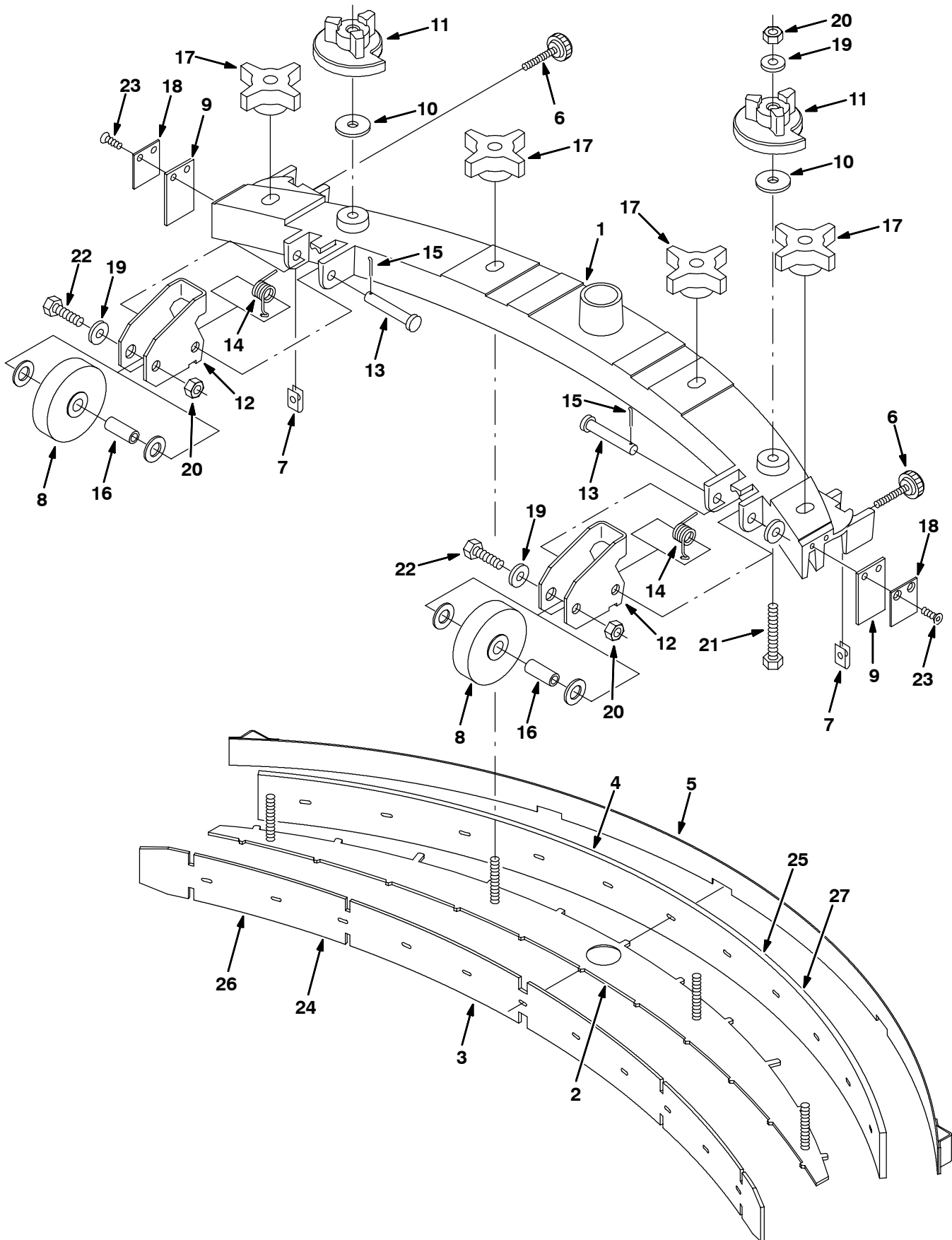


Fig. 30 - Tight-Aisle Squeegee Group, 550 mm (22 in)

Ref.	Tennant Part No.	Machine Serial Number	Description	Qty.
▽	374032 374031	(000000-) Squeegee Assembly, Tight-Aisle	1
▲	1 374033	(000000-) Frame, Sqge, Tight-Aisle	1
▲	2 374034	(000000-) Plate, Blade Retainer, Tight-Aisle	1
▲	3 374035	(000000-) Blade, Squeegee,Front, Tight-Aisle	1
▲	4 374036	(000000-) Blade, Squeegee,Rear, Tight-Aisle	1
▲	5 374037	(000000-) Band Wldt, Sqge, Tight-Aisle	1
▲	6 222794	(000000-) Knob, W1.25-20X1.5Lg Stud	2
▲	7 82138	(000000-) Nut Speed,Retainer, .25-20 Thd	2
▲	8 222066	(000000-) Wheel, 3.0 Dia	4
▲	9 374039	(000000-) Blade, End, Sqge, Tight-Aisle	2
▲	10 222268	(000000-) Washer, .375B 1.25D .12Neopre	2
▲	11 222244	(000000-) Cam, Adj, Sqge	2
▲	12 222245	(000000-) Bracket, Mtg, Wheel	2
▲	13 222260	(000000-) Pin, Clevis, 0.37 Dia 2.25Lg	2
▲	14 222130	(000000-) Spring, Torsion, Wheel	2
▲	15 39005	(000000-) Pin, Cotter .094X0.75	2
▲	16 222497	(000000-) Sleeve	2
▲	17 370100	(000000-) Knob, 4 Prongs w/.31-8 Insert	4
▲	18 374040	(000000-) Retainer, Blade, End, Sqge, Tight-Aisle	2
▲	19 01685	(000000-) Washer Flt .31 Ss	6
▲	20 08713	(000000-) Nut-Hxlocnyln M 8X1.25 Reg Ss	4
▲	21 09767	(000000-) Scr Hexssm 8X1.25 70	2
▲	22 49694	(000000-) Scr Hex Ssm 8X1.25 50	2
▲	23 09120	(000000-) Scr Flt M 5X0.8 16	4
▽	374089	(000000-) Squeegee Kit F/Tile, Tight-Aisle	1
▲	24 374085	(000000-) Blade, Sqge, Front, Tight-Aisle, Tile	1
▲	25 374086	(000000-) Blade, Sqge, Rear, Tight-Aisle, Tile	1
▽	374090	(000000-) Squeegee Kit Oil Rs, Tight-Aisle	1
▲	26 374087	(000000-) Blade, Sqge, Front, Tight-Aisle, Oil Rst	1
▲	27 374088	(000000-) Blade, Sqge, Rear, Tight-Aisle, Oil Rst	1

Fig. 31 - Model 700 Squeegee Group, 700 mm (28 in)

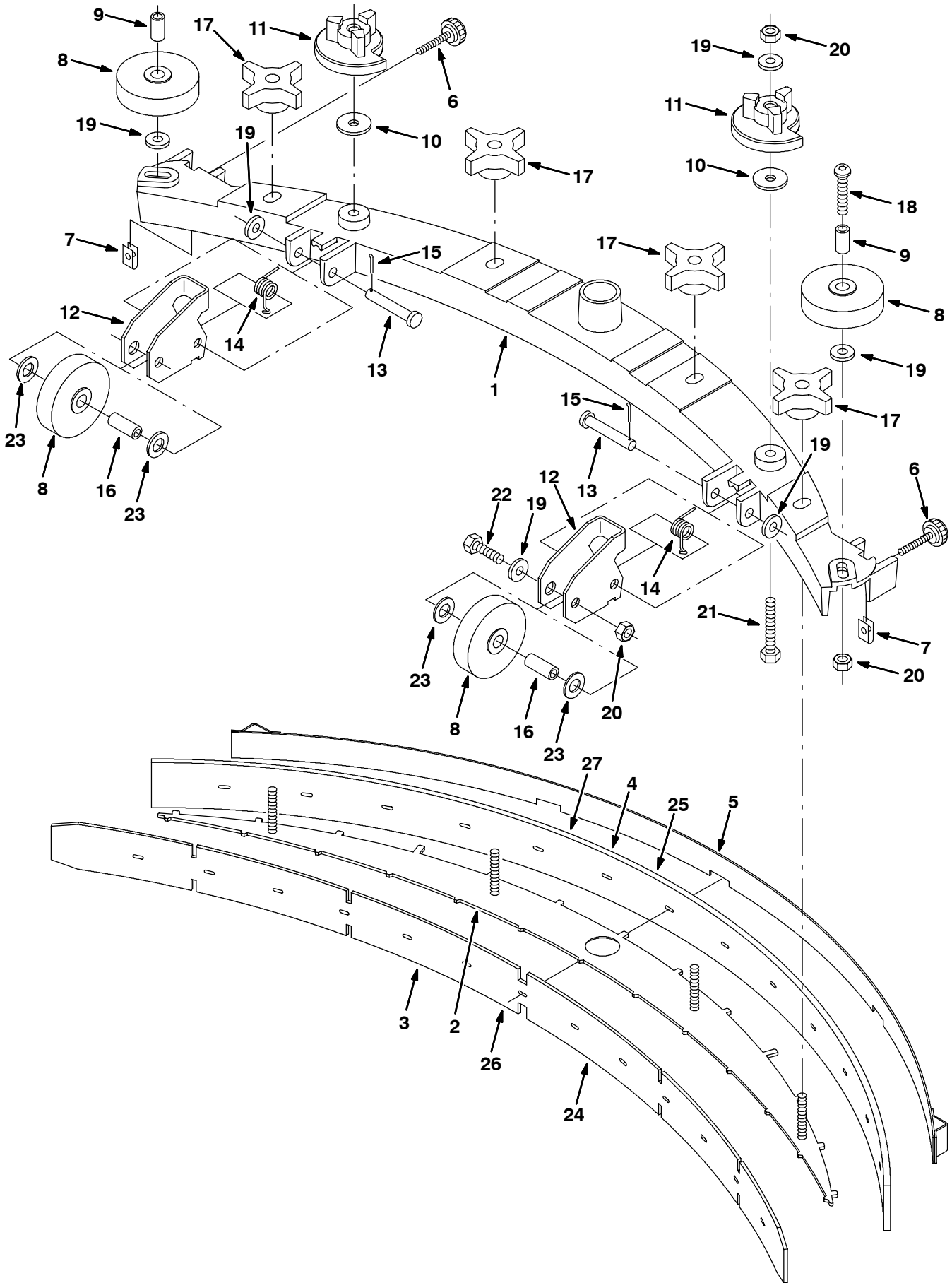


Fig. 31 - Model 700 Squeegee Group, 700 mm (28 in)

Ref.	Tennant Part No.	Machine Serial Number	Description	Qty.
▽	397751	(000000-) Kit, Ci, Sqge, Assy, [5680/5700] [700]	1
▲	1 222131	(000000-) Frame, Sqge 28"	1
▲	2 222368	(000000-) Plate, Blade Retainer 28"	1
▲	3 222381	(000000-) Blade, Squeegee,Front, 28"	1
▲	4 222382	(000000-) Blade, Squeegee,Rear, 28"	1
▲	5 222378	(000000-) Band Wldt, Sqge 28	1
▲	6 222794	(000000-) Knob, W1.25-20X1.5Lg Stud	2
▲	7 82138	(000000-) Nut Speed,Retainer, .25-20 Thd	2
▲	8 222066	(000000-) Wheel, 3.0 Dia	4
▲	9 222496	(000000-) Sleeve	2
▲	10 222268	(000000-) Washer, .375B 1.25D .12Neopre	2
▲	11 222244	(000000-) Cam, Adj, Sqge	2
▲	12 222245	(000000-) Bracket, Mtg, Wheel	2
▲	13 222260	(000000-) Pin, Clevis, 0.37 Dia 2.25Lg	2
▲	14 222130	(000000-) Spring, Torsion, Wheel	2
▲	15 39005	(000000-) Pin, Cotter .094X0.75	2
▲	16 222497	(000000-) Sleeve	2
▲	17 370100	(000000-) Knob, 4 Prongs w/.31-8 Insert	4
▲	18 397826	(000000-) Screw, Btn, M8 X 1.25 X 40, Ss18-8	2
▲	19 01685	(000000-) Washer Flt .31 Ss	8
▲	20 08713	(000000-) Nut-Hxlocnyln M 8X1.25 Reg Ss	6
▲	21 09767	(000000-) Scr Hexssm 8X1.25 70	2
▲	22 49694	(000000-) Scr Hex Ssm 8X1.25 50	2
▲	23 32486	(000000-) Washer, Flt, .50 Sae	4
▽	222422	(000000-) Squeegee Kit, F/Tile Gumrbr700	1
▲	24 222385	(000000-) Blade, Squeegee, Tile 28"	1
▲	25 222387	(000000-) Blade, Squeegee, Rear, Gum 28"	1
▽	222428	(000000-) Squeegee Kit Oil Rs Urethan700	1
▲	26 222391	(000000-) Blade, Sqge, Front 28" Oil Rst	1
▲	27 222389	(000000-) Blade, Sqge, Rear 28"Oil Resis	1

Fig. 32 - Model 800 Squeegee Group, 800 mm (32 in)

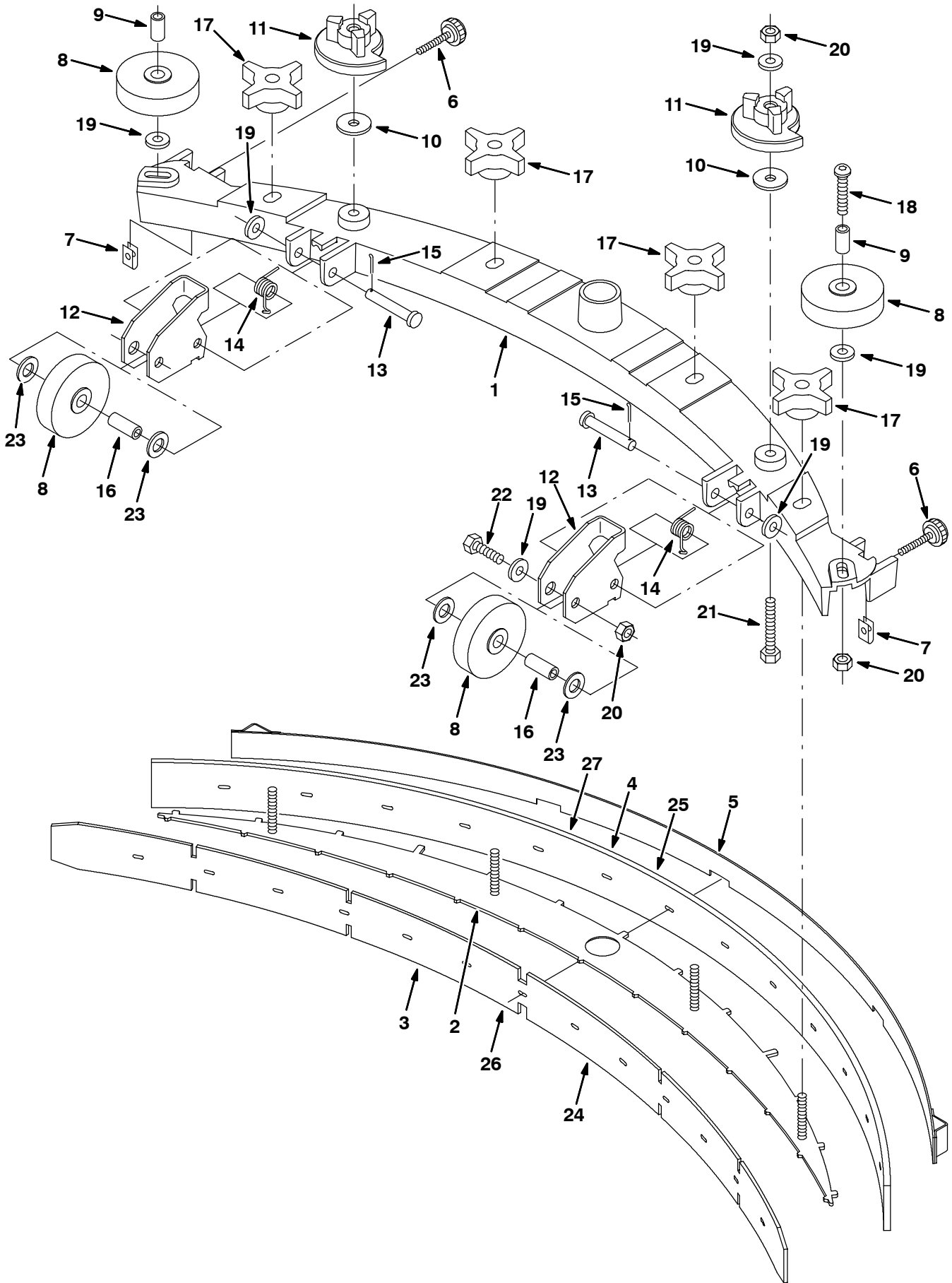


Fig. 32 - Model 800 Squeegee Group, 800 mm (32 in)

Ref.	Tennant Part No.	Machine Serial Number	Description	Qty.
▽	397749	(000000-) Kit, Ci, Sqge, Assy, [5680/5700] [800]	1
▲	1 222134	(000000-) Frame, Squeegee 32"	1
▲	2 222240	(000000-) Plate, Blade Retainer 32	1
▲	3 222241	(000000-) Blade, Squeegee,Front, 32"	1
▲	4 222242	(000000-) Blade, Squeegee,Rear, 32"	1
▲	5 222243	(000000-) Band Wldt, Sqge 32	1
▲	6 222794	(000000-) Knob, W1.25-20X1.5Lg Stud	2
▲	7 82138	(000000-) Nut Speed,Retainer, .25-20 Thd	2
▲	8 222066	(000000-) Wheel, 3.0 Dia	4
▲	9 222496	(000000-) Sleeve	2
▲	10 222268	(000000-) Washer, .375B 1.25D .12Neopre	2
▲	11 222244	(000000-) Cam, Adj, Sqge	2
▲	12 222245	(000000-) Bracket, Mtg, Wheel	2
▲	13 222260	(000000-) Pin, Clevis, 0.37 Dia 2.25Lg	2
▲	14 222130	(000000-) Spring, Torsion, Wheel	2
▲	15 39005	(000000-) Pin, Cotter .094X0.75	2
▲	16 222497	(000000-) Sleeve	2
▲	17 370100	(000000-) Knob, 4 Prongs w/.31-8 Insert	4
▲	18 397826	(000000-) Screw, Btn, M8 X 1.25 X 40, Ss18-8	2
▲	19 01685	(000000-) Washer Flt .31 Ss	8
▲	20 08713	(000000-) Nut-Hxlocnyln M 8X1.25 Reg Ss	6
▲	21 09767	(000000-) Scr Hexssm 8X1.25 70	2
▲	22 49694	(000000-) Scr Hex Ssm 8X1.25 50	2
▲	23 32486	(000000-) Washer, Flt, .50 Sae	4
▽	222423	(000000-) Squeegee Kit F/Tile Gumrbr 800	1
▲	24 222384	(000000-) Blade, Squeegee, Tile, 32"	1
▲	25 222386	(000000-) Blade, Squeegee, Rear,Gum 32"	1
▽	222429	(000000-) Squeegee Kit Oil Rs Urethn 800	1
▲	26 222392	(000000-) Blade, Sqge Front,32" Oil Rst	1
▲	27 222388	(000000-) Blade, Sqge, Rear 32" Oil Resi	1

STANDARD PARTS

Fig. 33 - Model 900 Squeegee Group, 900 mm (36 in)

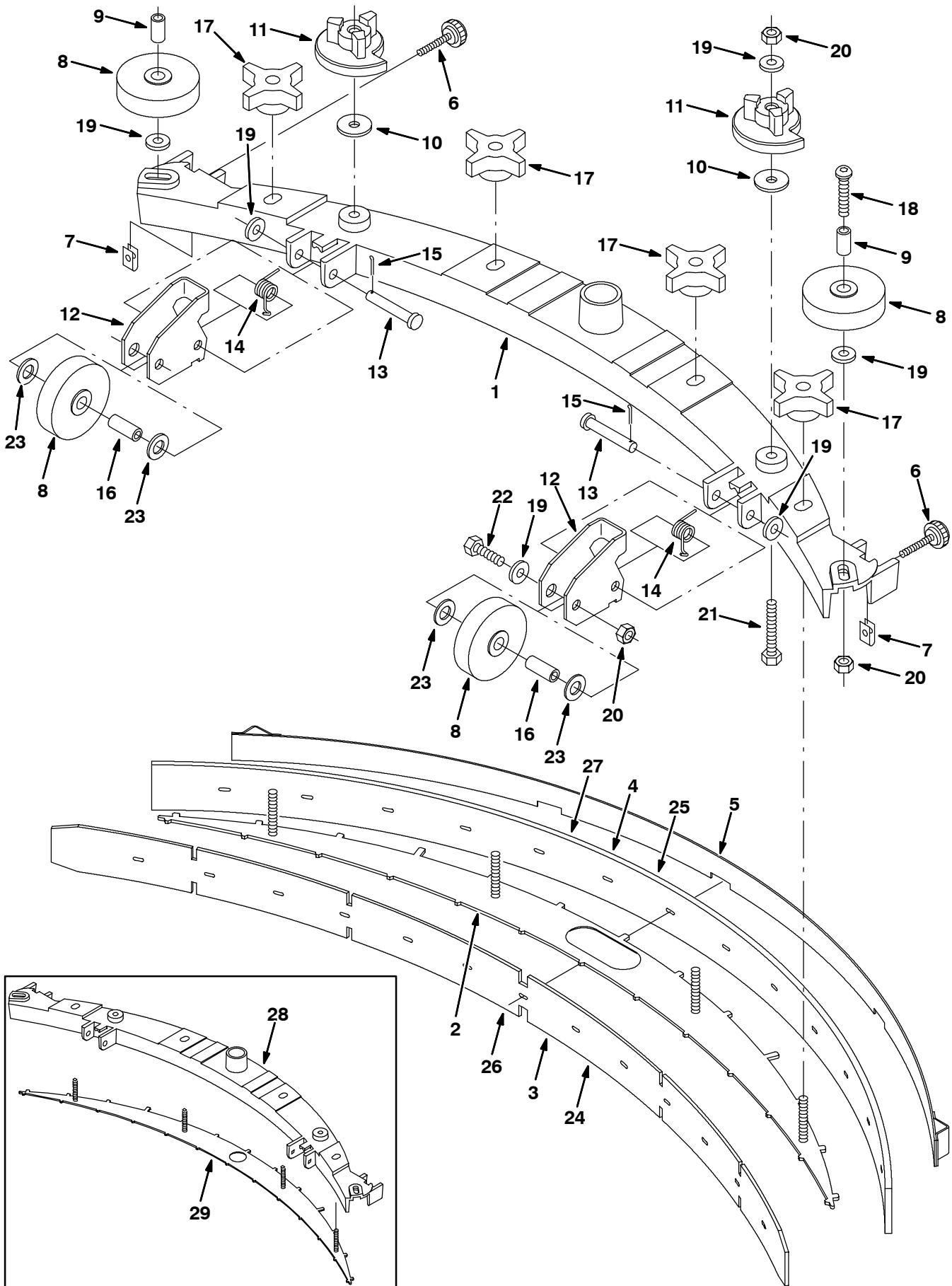


Fig. 33 - Model 900 Squeegee Group, 900 mm (36 in)

Ref.	Tennant Part No.	Machine Serial Number	Description	Qty.
▽	397750	(000000-) Kit, Ci, Sqge, Assy, [5680/5700] [900]	1
▲	1 392206	(xxxxxx-) Frame, Squeegee 36"	1
▲	2 392211	(xxxxxx-) Plate, Blade Retainer 36"	1
▲	3 222413	(000000-) Blade, Squeegee,Front, 36"	1
▲	4 222415	(000000-) Blade, Squeegee,Rear, 36"	1
▲	5 222417	(000000-) Band Wldt, Sqge 36	1
▲	6 222794	(000000-) Knob, W1.25-20X1.5Lg Stud	2
▲	7 82138	(000000-) Nut Speed,Retainer, .25-20 Thd	2
▲	8 222066	(000000-) Wheel, 3.0 Dia	4
▲	9 222496	(000000-) Sleeve	2
▲	10 222268	(000000-) Washer, .375B 1.25D .12Neopre	2
▲	11 222244	(000000-) Cam, Adj, Sqge	2
▲	12 222245	(000000-) Bracket, Mtg, Wheel	2
▲	13 222260	(000000-) Pin, Clevis, 0.37 Dia 2.25Lg	2
▲	14 222130	(000000-) Spring, Torsion, Wheel	2
▲	15 39005	(000000-) Pin, Cotter .094X0.75	2
▲	16 222497	(000000-) Sleeve	2
▲	17 370100	(000000-) Knob, 4 Prongs w/.31-8 Insert	4
▲	18 397826	(000000-) Screw, Btn, M8 X 1.25 X 40, Ss18-8	2
▲	19 01685	(000000-) Washer Flt .31 Ss	8
▲	20 08713	(000000-) Nut-Hxlocnyln M 8X1.25 Reg Ss	6
▲	21 09767	(000000-) Scr Hexssm 8X1.25 70	2
▲	22 49694	(000000-) Scr Hex Ssm 8X1.25 50	2
▲	23 32486	(000000-) Washer, Flt, .50 Sae	4
▽	222424	(000000-) Squeegee Kit F/Tile Gumrbr 900	1
▲	24 222414	(000000-) Blade, Squeegee, Tile, 36"	1
▲	25 222416	(000000-) Blade, Squeegee, Rear Gum, 36"	1
▽	222433	(000000-) Squeegee Kit Oil Rs Urethn 900	1
▲	26 222434	(000000-) Blade, Sqge, Front, 36"Oil Rst	1
▲	27 222435	(000000-) Blade, Sqge, Rear 36" Oil Rst	1
	28 392221	(000000- xxxxxx)	Kit, Replmt, Sqge Frame, F/222411	1
	29 222412	(000000- xxxxxx)	Plate, Blade Retainer 36"	1

Fig. 35 - Wire Harness Group

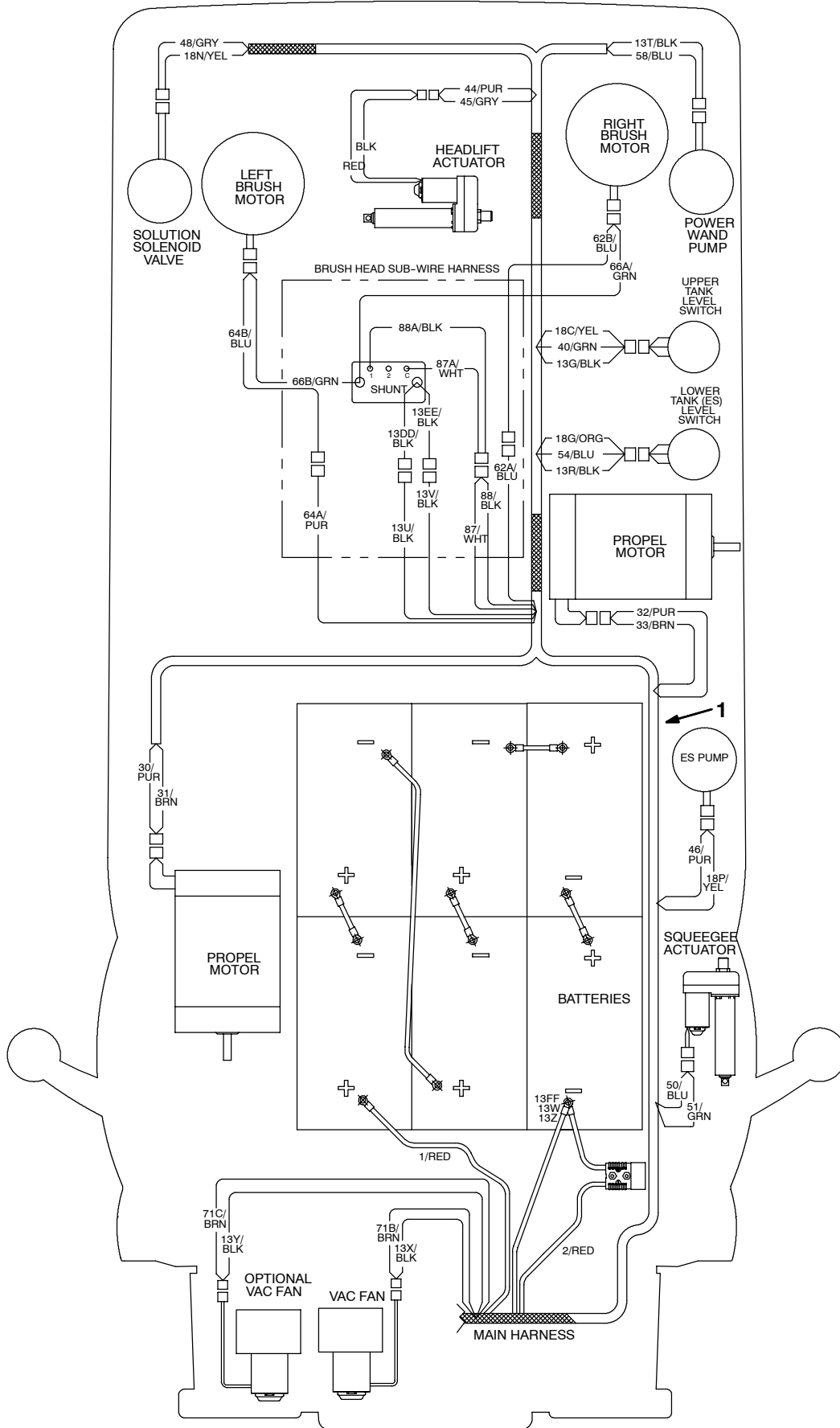


Fig. 35 - Wire Harness Group

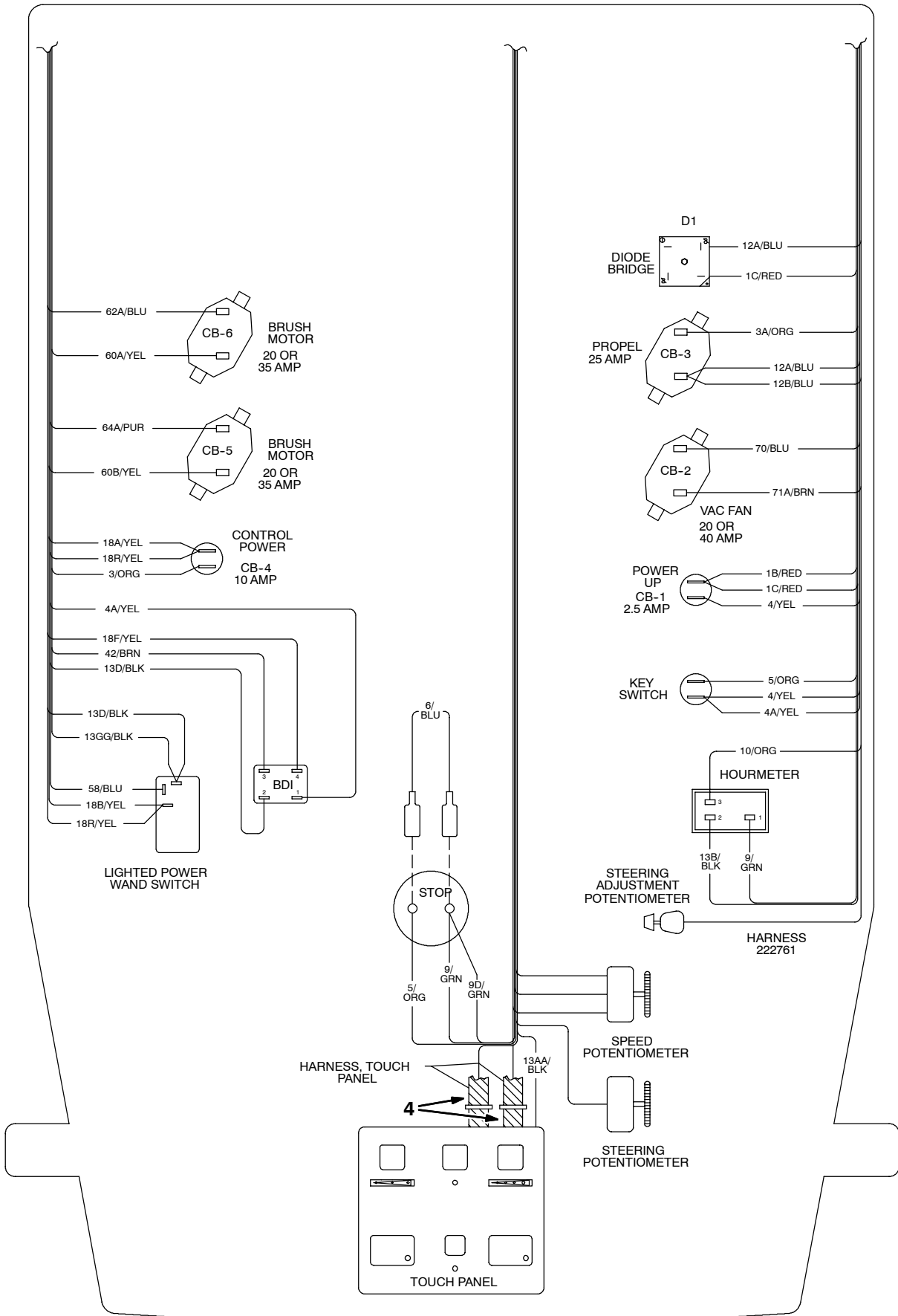
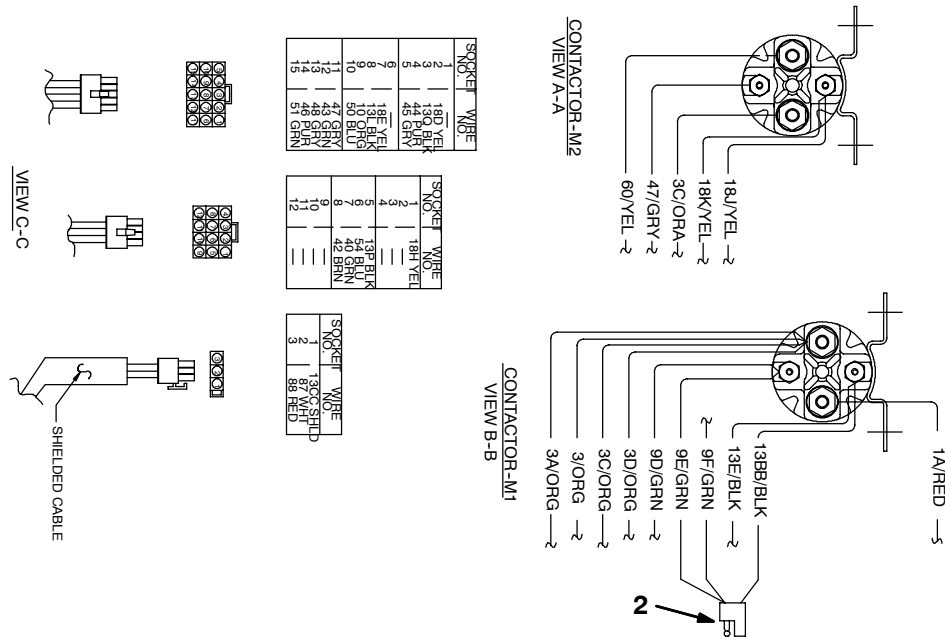
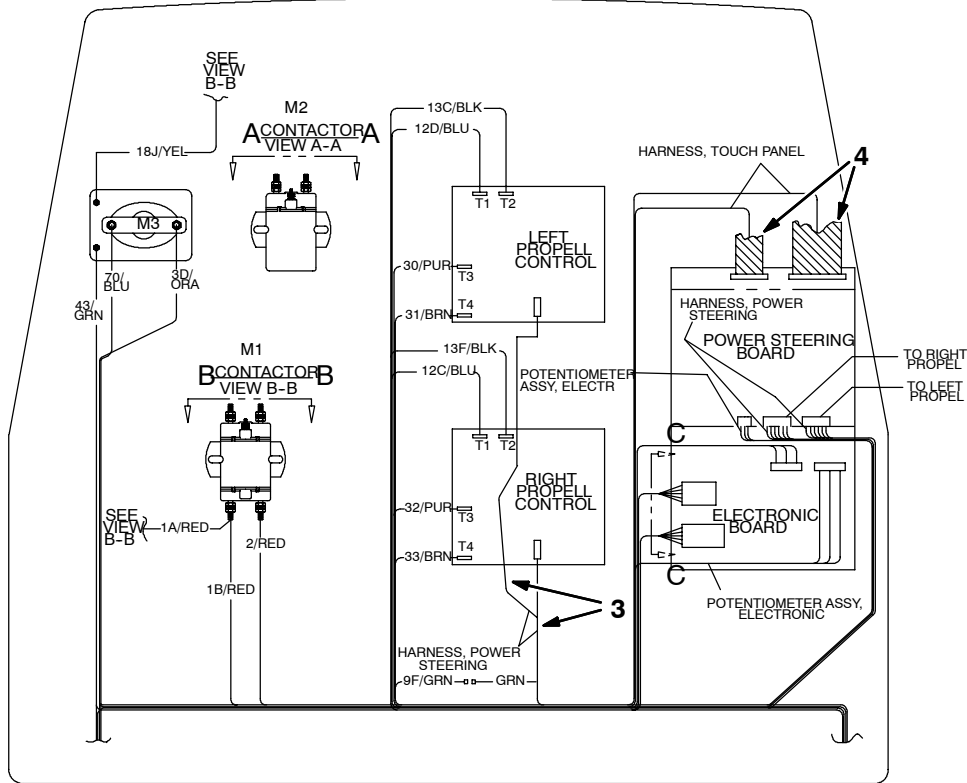


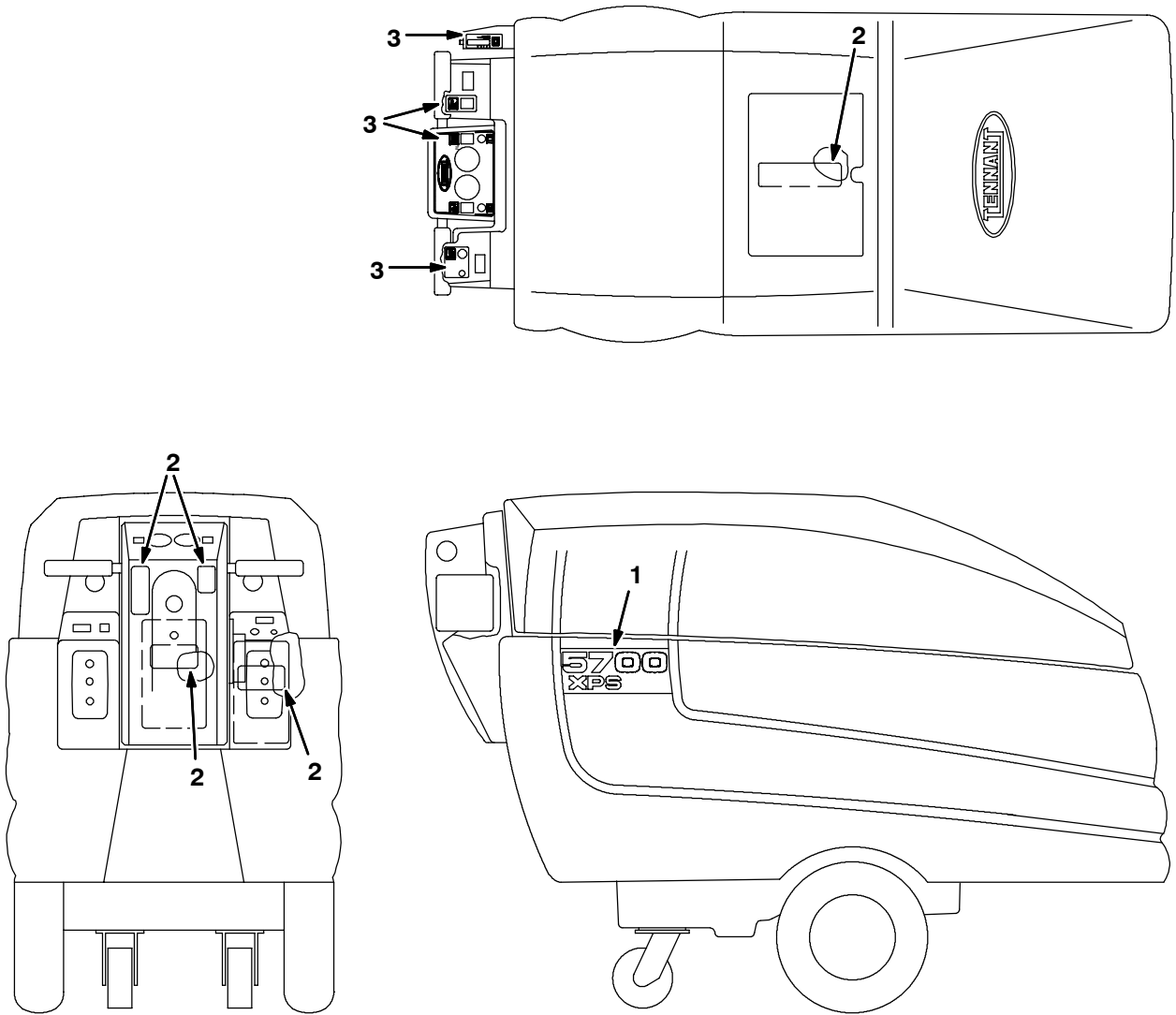
Fig. 35 - Wire Harness Group



10247 - XPS, NA, JP, CE

Ref.	Tenant Part No.	Machine Serial Number	Description	Qty.
1	222856	(000000-017945)	Harness, Main, Electric	1
1	398505	(017946-)	Harness, Main, Electric	1
2	222290	(000000-)	Diode, Elec, Plug	1
3	222292	(000000-001590)	Harness, Electr, Propel P.S.	2
3	222730	(001591-)	Harness, Electr, Propel P.S.	2
4	222293	(000000-)	Harness, Electric Touch Panel	1
	222666	(000000-)	Clamp, Ribbon Cable	2

Fig. 36 - Label Group



10299 - XP, XPS, NA

Ref.	Tennant Part No.	Machine Serial Number	Description	Qty.
1	222678	(000000-)	Label Set, 5700, Xps	1
2	222578	(000000-)	Label Set, Info & Hzd 5700	1
3	222533	(000000-017945)	Label Set, Operational 5700	1
3	369763	(017946-)	Label Set, Operational 5700	1

SECTION 3

Contents	Page
Fig. 1 - ES™ Kit	3-2
Fig. 2 - Vacuum Wand Kit	3-4
Fig. 3 - Power Wand Hose Assembly	3-5
Fig. 4 - Power Wand Assembly	3-6
Fig. 5 - Power Wand Pump and Fittings Group .	3-8
Fig. 6 - Power Wand Mount Group	3-10
Fig. 7 - Parking Brake Kit	3-12
Fig. 8 - Power Kill Switch Kit	3-13
Fig. 9 - Dual Vacuum Fan Kit	3-14
Fig. 10 - Wall Roller Kit	3-16
Fig. 11 - Transport Group	3-18
Fig. 12 - Neoprene Caster Group	3-19
Fig. 13 - Solid Tire Group	3-20
Fig. 14 - Foam Filled Tire Group	3-21
Fig. 15 - Tire and Rim Assembly, Gray	3-22
Fig. 16 - Heavy Duty Battery Kit, Wet, 335AH ..	3-23
Fig. 17 - Battery Charger Group	3-24
Fig. 18 - Urethane Scrub Head Skirt Kit	3-25
Fig. 19 - Drain Hose Extension Kit	3-26
Fig. 20 - Optical Sensor Kit	3-27
Fig. 21 - Shielded Sensor Kit	3-28
Fig. 22 - Sound Reduction Kit	3-29
Fig. 23 - Documentation Group	3-30

Fig. 1 - ES™ Kit

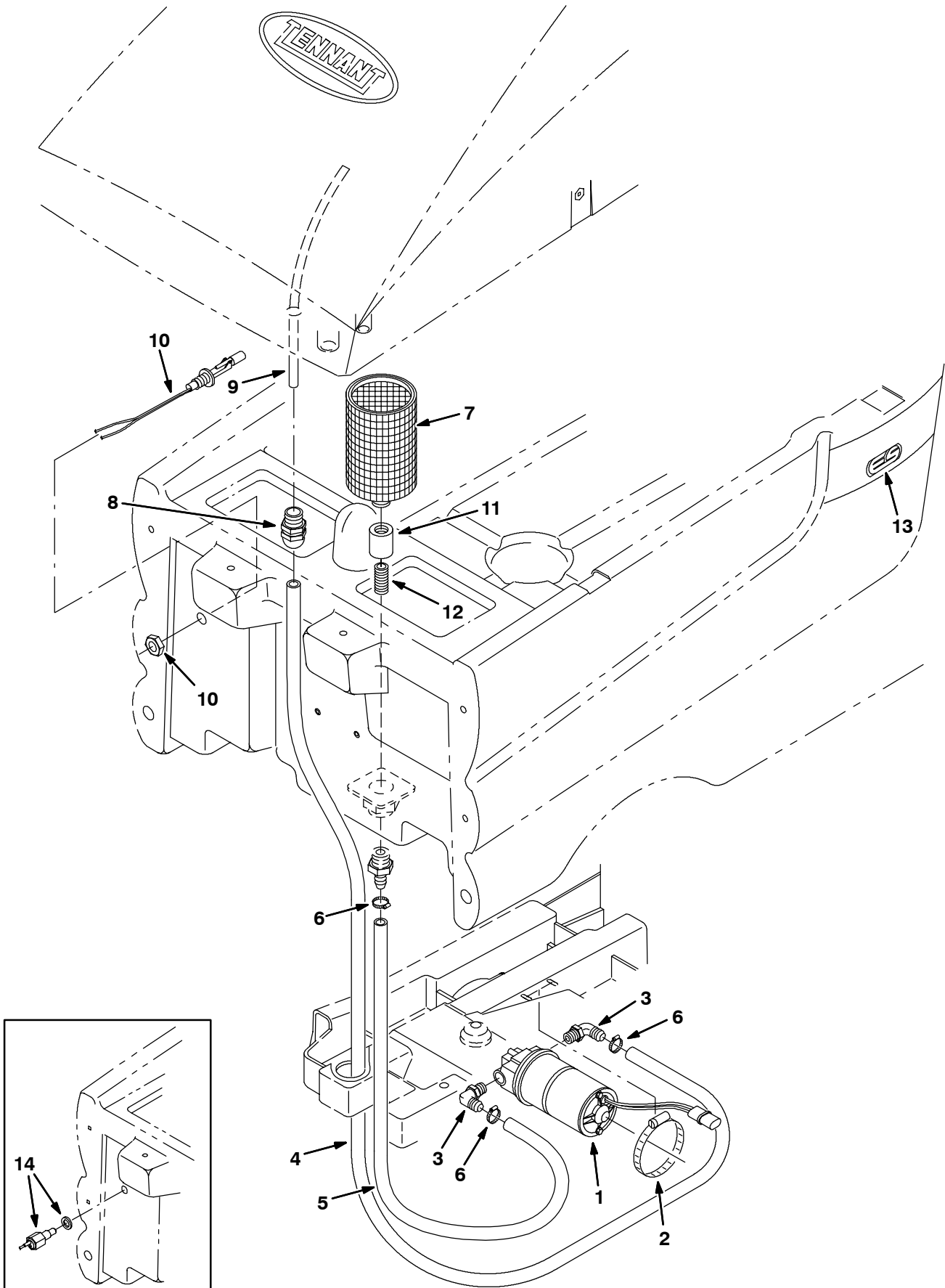
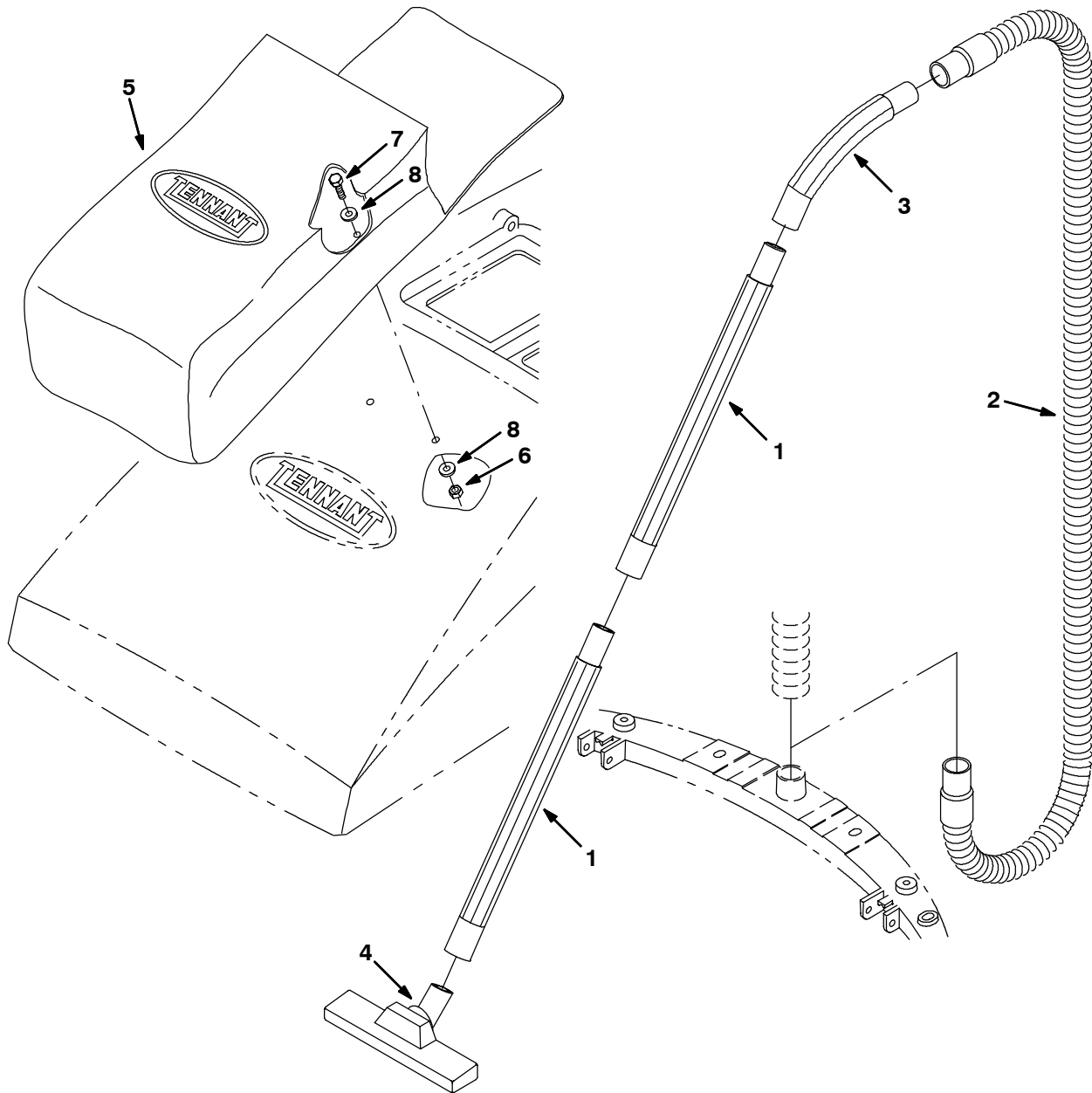


Fig. 1 - ES™ Kit

Ref.	Tennant Part No.	Machine Serial Number	Description	Qty.
▽	222449	(000000-) Es Elect 5700	1
▲ 1	222259	(000000-) Pump Assy, Water 36Vdc (See Breakdowns)	1
▲ 2	17188	(000000-) Clamp-Wormdrive, 1.62-3.50D	1
▲ 3	64778	(000000-) Ftg,Plstc,Elb,Barb.38Pt-.50Hse	2
▲ 4	222451	(000000-) Hose, Vinyl Clr, .50ld X65.0L	1
▲ 5	72953	(000000-) Hose, Pvc .50ldx.73Od 23.0Lg	1
▲ 6	54333	(000000-) Clamp-Wormdrive, 0.31- 0.88D	3
▲ 7	65873	(000000-) Screen, Solution 60 Mesh, Cyl	1
▲ 8	222374	(000000-) Ftg-Plastic Str Specl 12Pm	1
▲ 9	222439	(000000-) Tube, Poly .38ld X .06W X 16L	1
▲ 10	222822	(xxxxxx-) Switch, Float	1
▲ 11	05134	(000000-) Ftg, Pipe, Cplg Plastic 0.75	1
▲ 12	69784	(000000-) Ftg-Plstc Str 12Pm/12Pm	1
▲ 13	222604	(000000-) Label, Es Logo, Off-White	2
14	222827	(000000- xxxxxx)	Sensor Kit, Liq Level	1

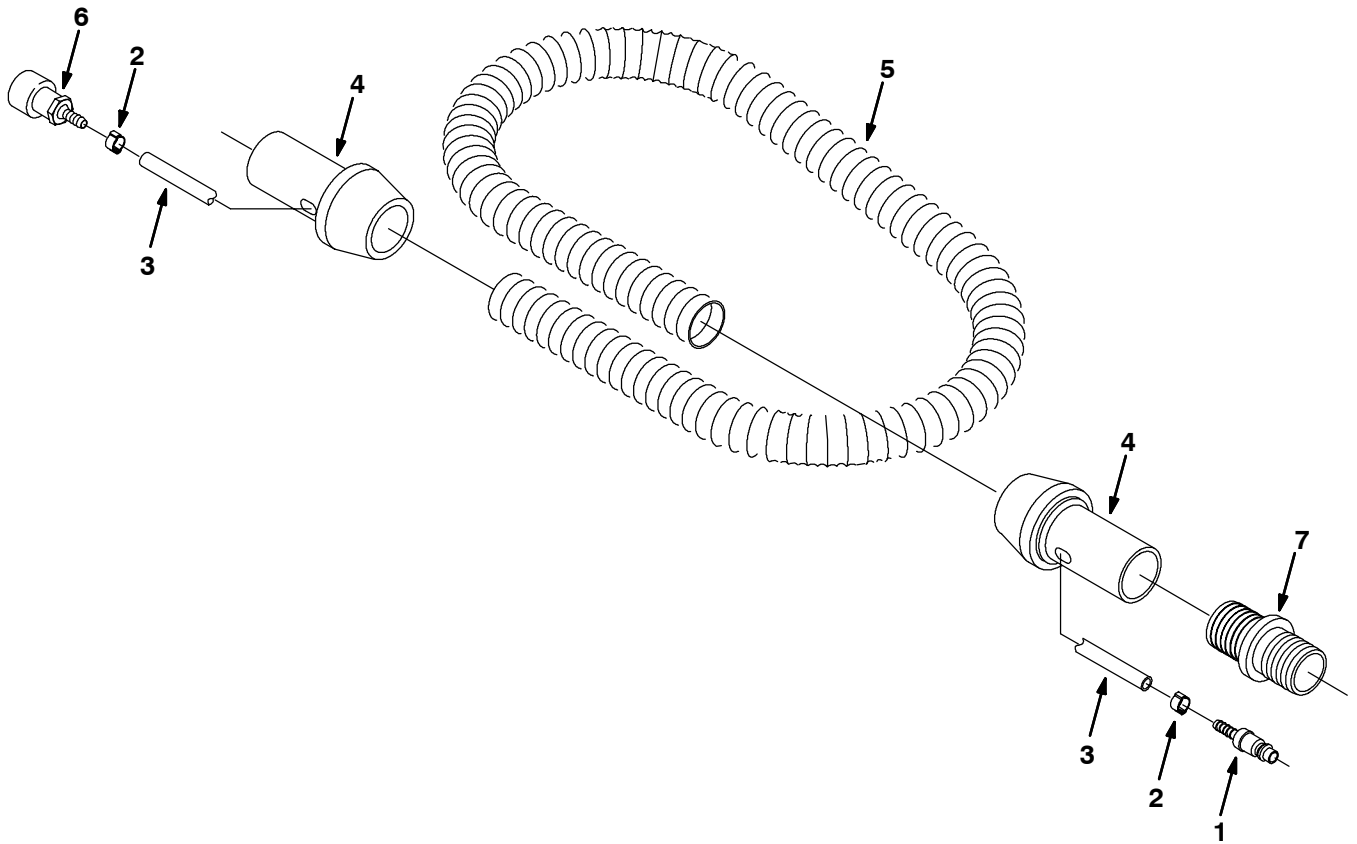
Fig. 2 - Vacuum Wand Kit



10080 - 5700, EE, XP, XPS, NA, JP

Ref.	Tennant Part No.	Machine Serial Number	Description	Qty.
▽	222349	(000000-)	Wand Vacuum 5700	1
▲ 1	05579	(000000-)	Wand, Vacuum	2
▲ 2	05594	(000000-)	Hose Assy, Vacuum Wand	1
▲ 3	05584	(000000-)	Hose End, Curved	1
▲ 4	374077	(000000-)	Nozzle, Vacuum Wand	1
▲ 5	65580	(000000-)	Bag, Power Wand	1
▲ 6	08713	(000000-)	Nut-Hxlocnyln M 8X1.25 Reg Ss	2
▲ 7	09011	(000000-)	Scr Hexssm 8X1.25 30	2
▲ 8	01685	(000000-)	Washer Flt .31 Ss	4

Fig. 3 - Power Wand Hose Assembly



08042 - ALL

NOTE: Power Wand Kit, Tennant Part Number 222352, includes Fig. 3, Fig. 4, Fig. 5, and Fig. 6.

Ref.	Tennant Part No.	Machine Serial Number	Description	Qty.
▽	65341	(000000-) Hose Assembly	1
▲ 1	578318000	(000000-) Fitting, Quick Disconnect	1
▲ 2	578160000	(000000-) Clamp, Hose	2
▲ 3	578820000	(000000-) Hose	1
▲ 4	578072000	(000000-) Cuff, Swivel	2
▲ 5	578276000	(000000-) Hose, Vacuum	1
▲ 6	578071000	(000000-) Fitting, Quick Disconnect	1
7	12694	(000000-) Fitting, Plastic	1

Fig. 4 - Power Wand Assembly

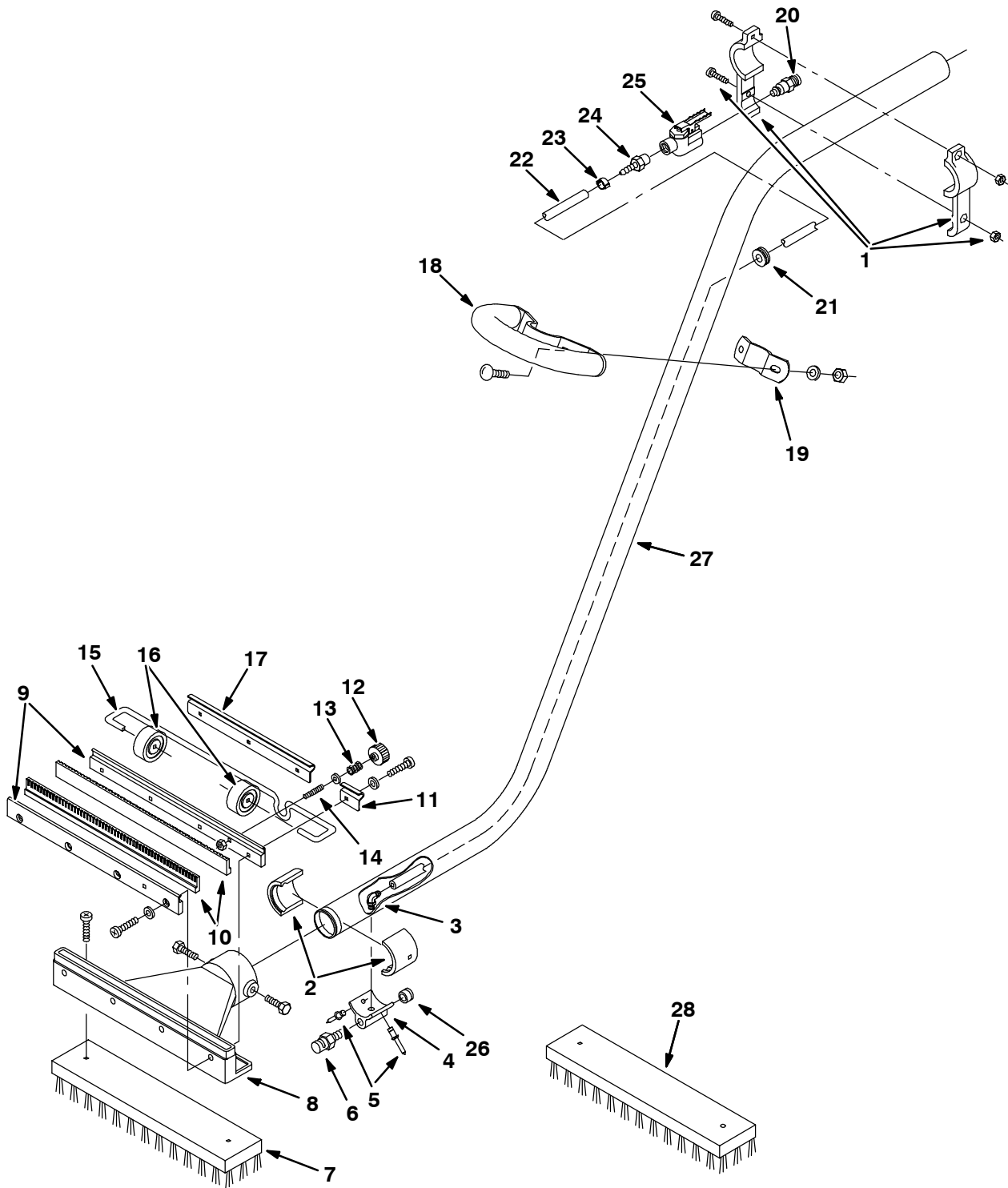


Fig. 4 - Power Wand Assembly

NOTE: Power Wand Kit, Tennant Part Number 222352, includes Fig. 3, Fig. 4, Fig. 5, and Fig. 6.

	Ref.	Tennant Part No.	Machine Serial Number	Description	Qty.
▽		65340	(000000-) Wand Assembly	1
▲	1	578077000	(000000-) Bracket, Valve Mounting	1
▲	2	578061000	(000000-) Adapter, Head	2
▲	3	578214000	(000000-) Fitting, 90° Elbow	1
▲	4	579112	(000000-) Adapter, Nozzle	1
▲	5	602036000	(000000-) Rivet, Pop	2
▲	6	578066000	(000000-) Nozzle, Spray	1
▲	7	65610	(000000-) Brush, Wand, Poly	1
▲	8	578063000	(000000-) Head, Wand	1
▲	9	578078000	(000000-) Strip, Retainer	2
▲	10	578074000	(000000-) Blade, Squeegee	2
▲	11	578124000	(000000-) Bracket, Axle	1
▲	12	578439	(000000-) Knob, Adjustable, Squeegee	1
▲	13	578228000	(000000-) Spring, Compression	1
▲	14	578143000	(000000-) Stud, Adjustable	1
▲	15	578126000	(000000-) Axle, Wand	1
▲	16	578125000	(000000-) Wheel, Guide	2
▲	17	578123000	(000000-) Bracket, Axle	1
▲	18	578155000	(000000-) Handle, Wand	1
▲	19	578154000	(000000-) Bracket, Handle Mounting	1
▲	20	578091000	(000000-) Fitting, Quick Disconnect	1
▲	21	578164000	(000000-) Grommet	1
▲	22	578821000	(000000-) Hose, Solution	1
▲	23	578161000	(000000-) Clamp, Hose	2
▲	24	578094000	(000000-) Fitting, Straight	1
▲	25	578064000	(000000-) Valve, Water	1
▲	26	150208	(000000-) Fitting, Plug	1
▲	27	578060000	(000000-) Wand, Off-Aisle	1
▲	28	65582	(000000-) Brush, Wand AB	1

Fig. 5 - Power Wand Pump and Fittings Group

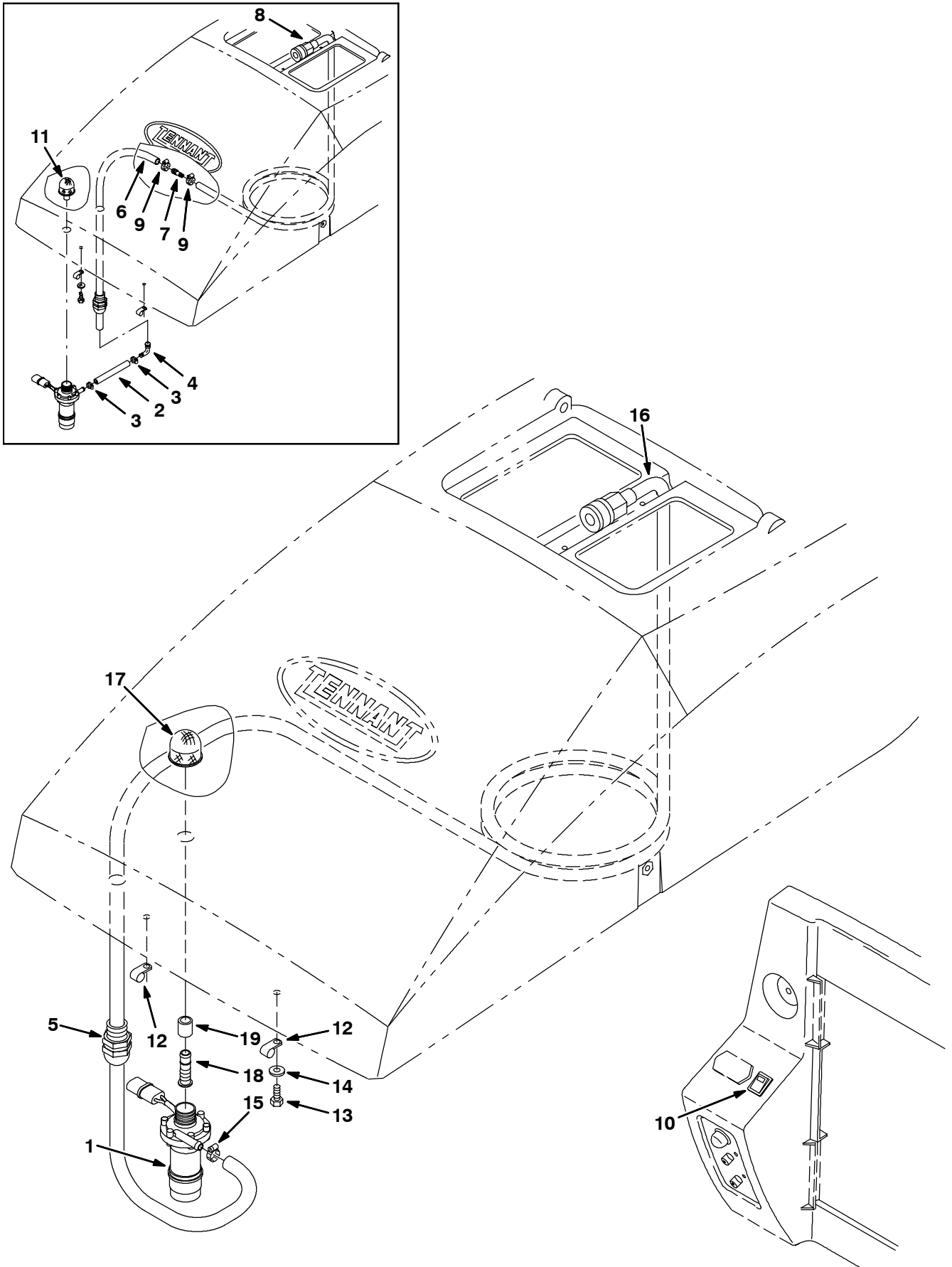


Fig. 5 - Power Wand Pump and Fittings Group

NOTE: Power Wand Kit, Tennant Part Number 222352, includes Fig. 3, Fig. 4, Fig. 5, and Fig. 6.

Ref.	Tennant Part No.	Machine Serial Number	Description	Qty.
1	222258	(000000-	Pump, Water 0.5 Gpm 12Psi 36V	1
2	79580	(000000-xxxxxx)	Hose Vinyl Cl.,0.38 Idx 4.60Lg	1
3	43844	(000000-xxxxxx)	Clamp-Wormdrive, 0.25- 0.62D	2
4	222376	(000000-xxxxxx)	Ftg-Plastic E90 06Bm/08Bm	1
5	222374	(000000-	Ftg-Plastic Str Specl 12Pm	1
6	50178	(000000-xxxxxx)	Hose, .50ld X 26.0	1
7	222375	(000000-xxxxxx)	Ftg-Plastic Str	1
8	222811	(000000-xxxxxx)	Replacement Kit, Hose	1
9	222705	(000000-xxxxxx)	Clamp-Wormdrive, 0.31- 0.88D, Ss	2
10	222117	(000000-	Switch	1
11	222812	(000000-xxxxxx)	Replm Kit, Screen	1
12	40678	(000000-	Clamp,Cable .44D .62Wide	2
13	49826	(000000-	Scr-Hexssm 8X1.25 16 Nylon Loc	2
14	01685	(000000-	Washer Flt .31 Ss	2
15	43844	(xxxxxx-	Clamp-Wormdrive, 0.25 - 0.62D	1
16	222810	(xxxxxx-	Hose Assy, Water	1
17	222742	(xxxxxx-	Screen, Drain	1
18	222728	(xxxxxx-	Ftg, Str, Drain	1
19	222750	(xxxxxx-	Hose	1

Fig. 6 - Power Wand Mount Group

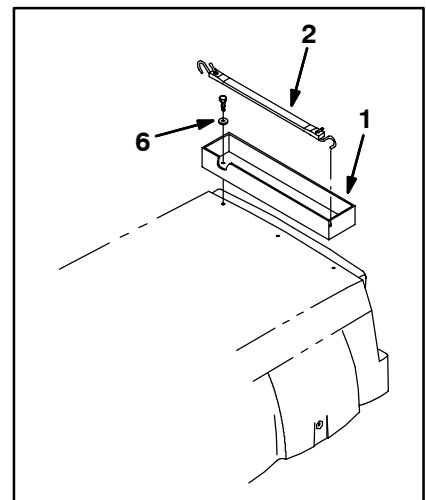
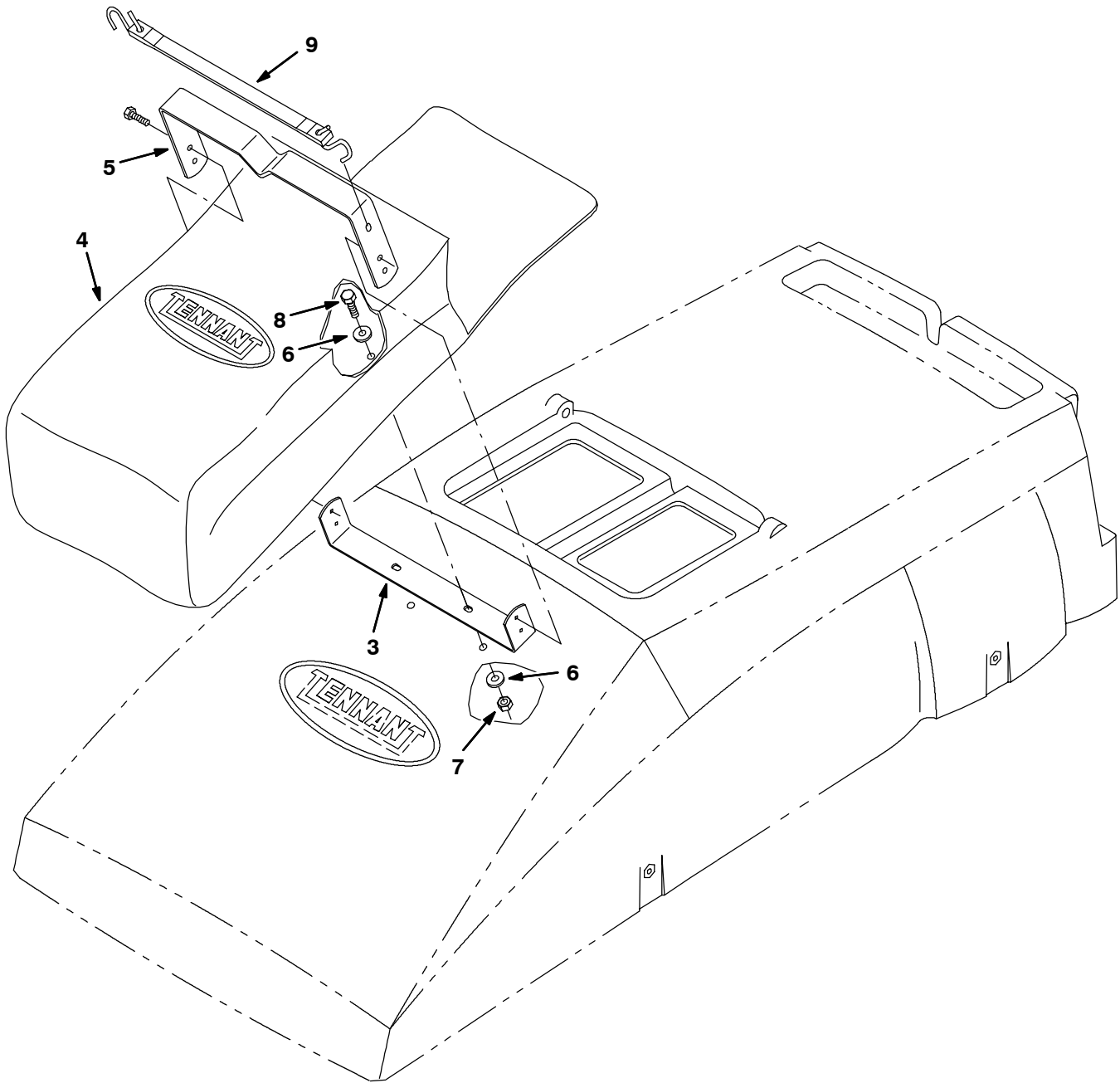
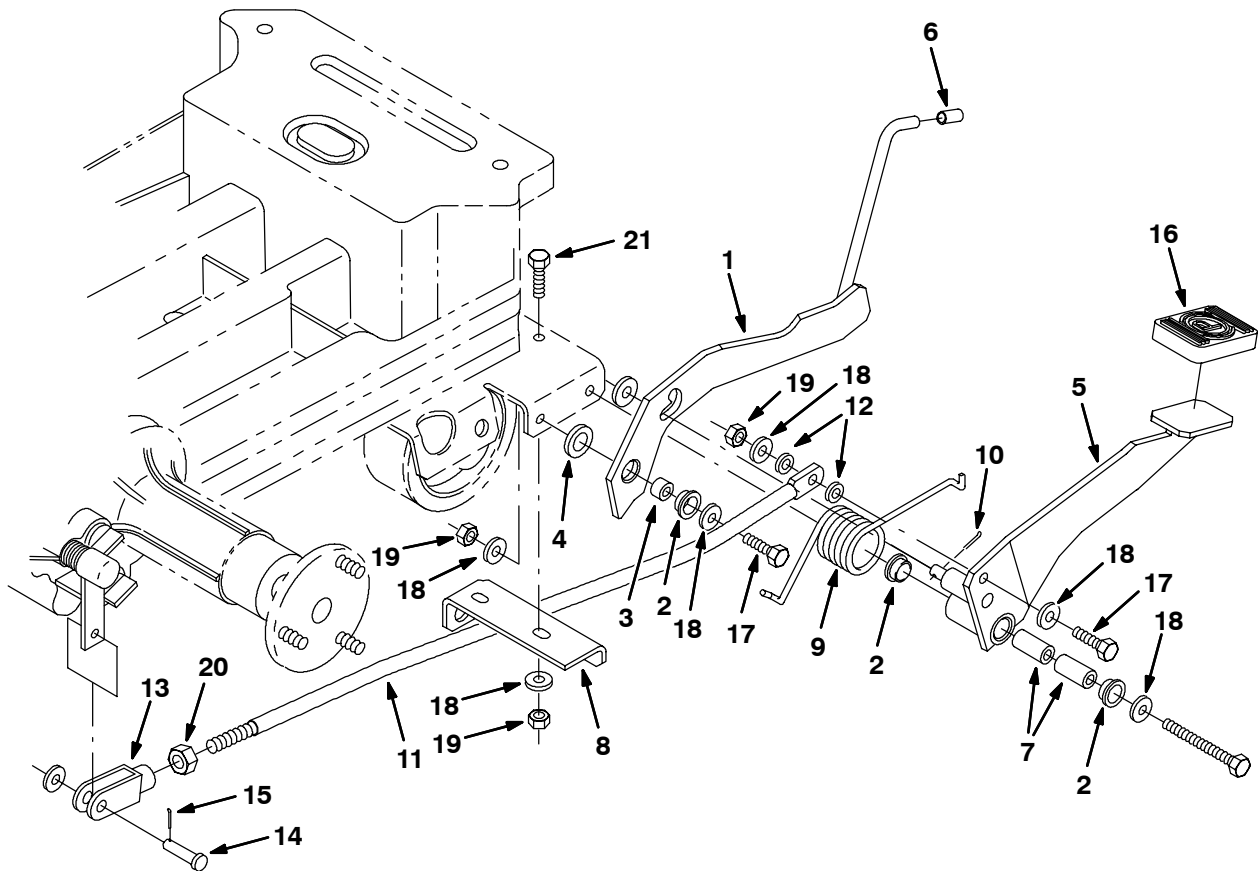


Fig. 6 - Power Wand Mount Group

NOTE: Power Wand Kit, Tennant Part Number 222352, includes Fig. 3, Fig. 4, Fig. 5, and Fig. 6.

Ref.	Tennant Part No.	Machine Serial Number	Description	Qty.
1	61212	(000000-019216)	Tray, Wand	1
2	57769	(000000-019216)	Strap, Rubber	2
3	222367	(000000-	Bracket, Mtg, Bag	1
4	65580	(000000-	Bag, Power Wand	1
5	222366	(000000-	Bracket, Sppt, Wand	1
6	01685	(000000-	Washer Flt .31 Ss	4
7	08713	(000000-	Nut-Hxlocnyln M 8X1.25 Reg Ss	2
8	09011	(000000-	Scr Hexssm 8X1.25 30	2
9	57769	(019217-	Strap, Rubber	2

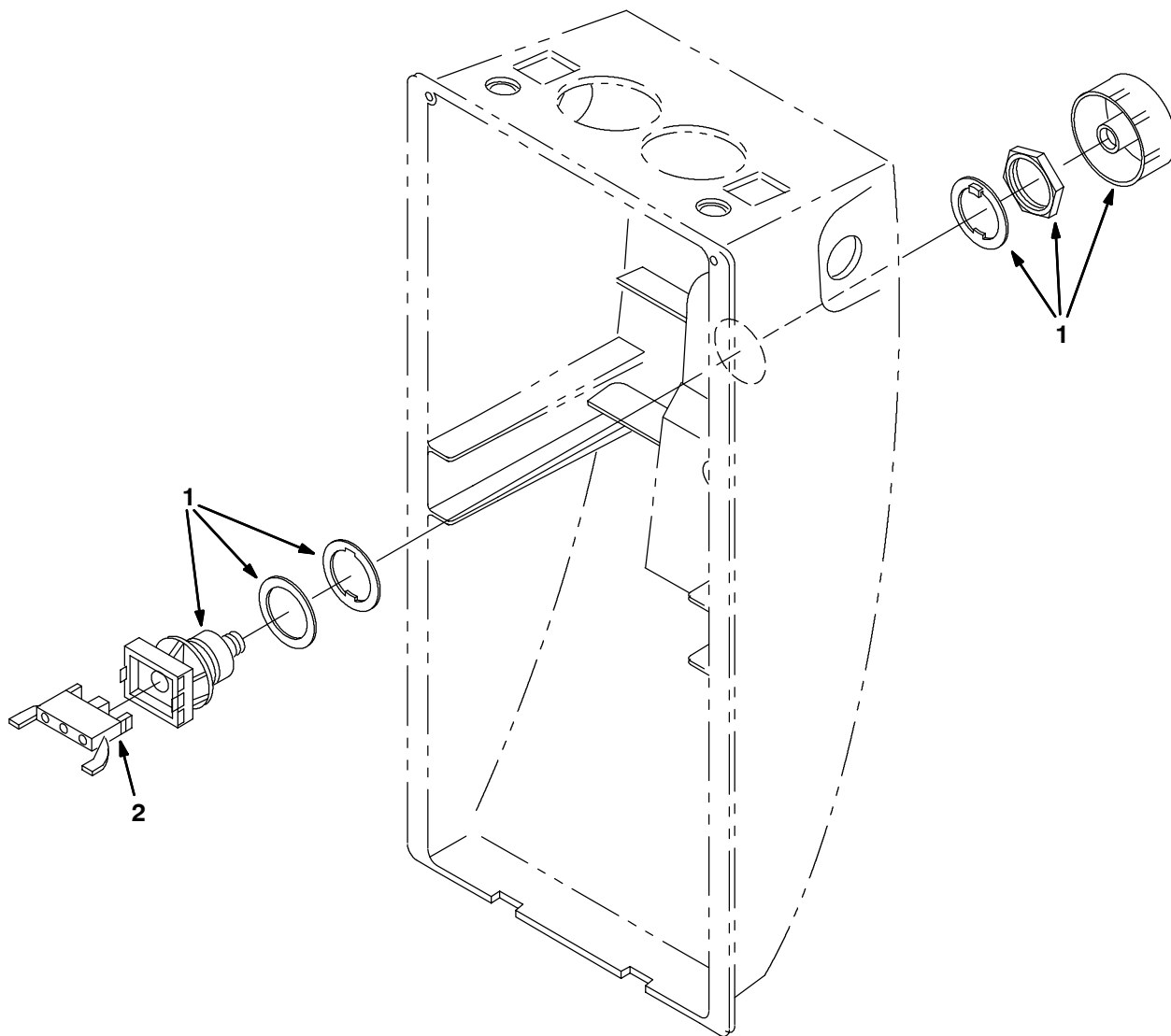
Fig. 7 - Parking Brake Kit



10086 - XPS, NA, JP

Ref.	Tennant Part No.	Machine Serial Number	Description	Qty.
▽	222600	(000000-)	Brake Kit, Parking	1
▲	1 222552	(000000-)	Plate Weldment, Stop	1
▲	2 04843	(000000-)	Bearing, Flange .625 Bore	3
▲	3 222556	(000000-)	Sleeve .62D .34B .38L	1
▲	4 28862	(000000-)	Washer-Thrust	1
▲	5 222547	(000000-)	Brake Weldment, Parking	1
▲	6 222555	(000000-)	Grip, Handle	1
▲	7 222028	(000000-)	Sleeve, .344B .62D1.3 Bronze	2
▲	8 222651	(000000-)	Bracket, Lift Retainer	1
▲	9 222560	(000000-)	Spring, Torsion	1
▲	10 08179	(000000-)	Pin, Cotter .094X1.00	1
▲	11 222546	(000000-)	Rod, Brake .50 D	1
▲	12 43454	(000000-)	Washer, .344B .69D .06Nylon	2
▲	13 222558	(000000-)	Clevis, Adjustable M12	1
▲	14 04743	(000000-)	Pin, Clevis, 0.31 Dia. X 1.12 Lg	1
▲	15 39005	(000000-)	Pin- Cotter .094X0.75	1
▲	16 222593	(000000-)	Pad, Pedal	1
▲	17 09011	(000000-)	Scr Hexssm 8X1.25 30	2
▲	18 01685	(000000-)	Washer Flt .31 Ss	8
▲	19 08713	(000000-)	Nut-Hxlocnyln M 8X1.25 Reg Ss	5
▲	20 07788	(000000-)	Nut Hx Std Ss M12X1.75	1
▲	21 09010	(000000-)	Scr Hexssm 8X1.25 25	2

Fig. 8 - Power Kill Switch Kit



10056 - ALL

Ref.	Tennant Part No.	Machine Serial Number	Description	Qty.
▽	222664	(000000-)	Button Kit Battery Cutout 5700	1
▲ 1	78553	(000000-)	Switch, Pushbutton	1
▲ 2	65665	(000000-)	Contact, Switch	1

Fig. 9 - Dual Vacuum Fan Kit

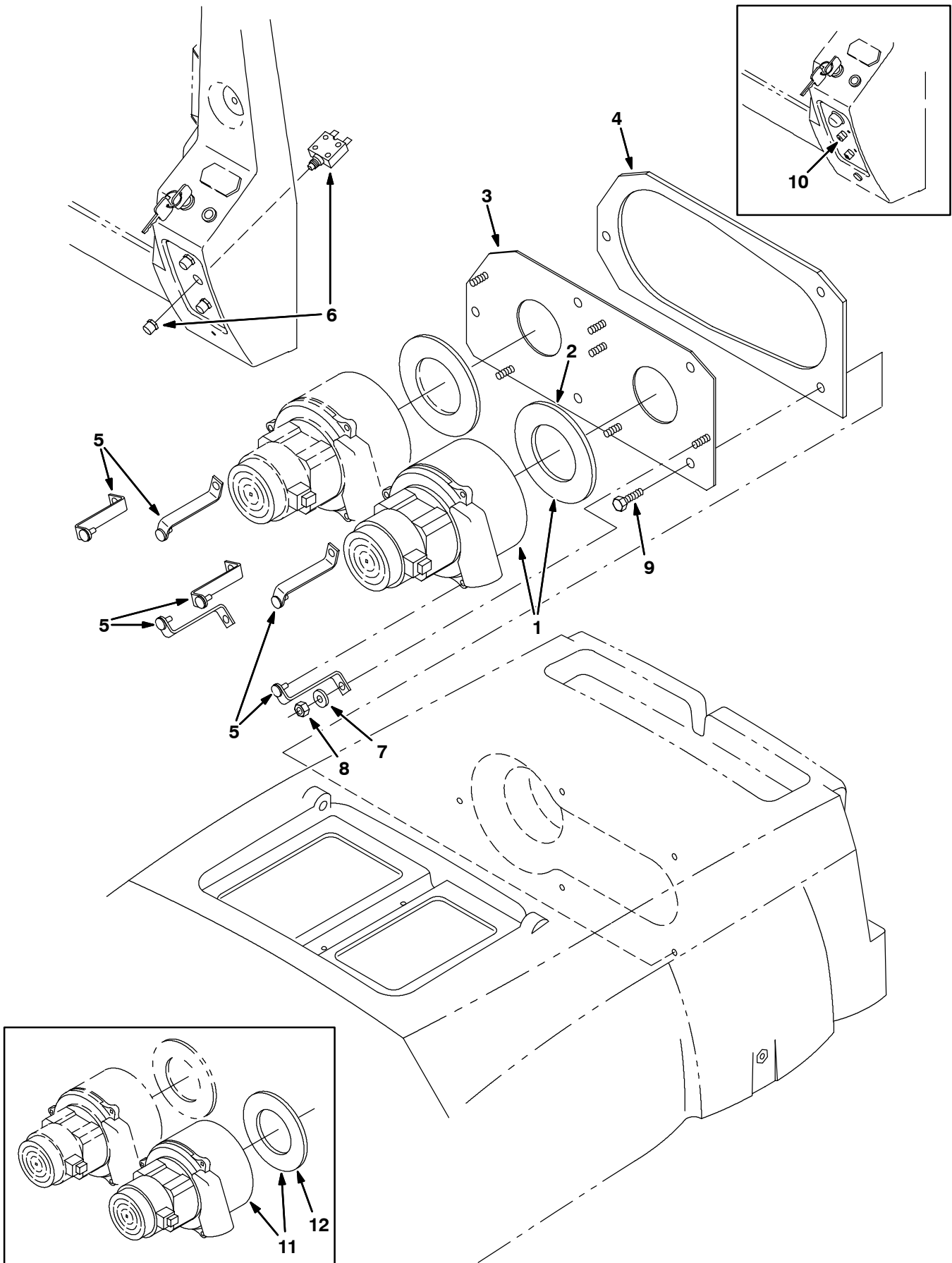


Fig. 9 - Dual Vacuum Fan Kit

	Ref.	Tennant Part No.	Machine Serial Number	Description	Qty.
▽		222355	(000000-) Vacuum Fan Kit, Dual	1
▲▽	1	398520	(020344-) Fan Assy, Vacuum (See Breakdowns)	1
▲▲	2	223264	(020344-) Seal, Vac Fan	1
▲	3	222127	(000000-) Plate, Fan Mtg, Dual	1
▲	4	222129	(000000-) Gasket, Plate, Fan Mtg	1
▲	5	222124	(000000-) Bracket, Mounting, Vac Fan	6
▲	6	383727	(017946-) Breaker, Circuit, 40Amp	1
▲	7	01685	(000000-) Washer Flt .31 Ss	6
▲	8	08713	(000000-) Nut-Hxlocnyln M 8X1.25 Reg Ss	6
▲	9	09010	(000000-) Scr Hexssm 8X1.25 25	3
	10	222283	(000000-017945) Breaker, Circuit, 40Amp	1
▽	11	17363	(000000-020343) Fan, Vac (See Breakdowns)	1
▲	12	223264	(000000-020343) Seal, Vac Fan	1

Fig. 10 - Wall Roller Kit

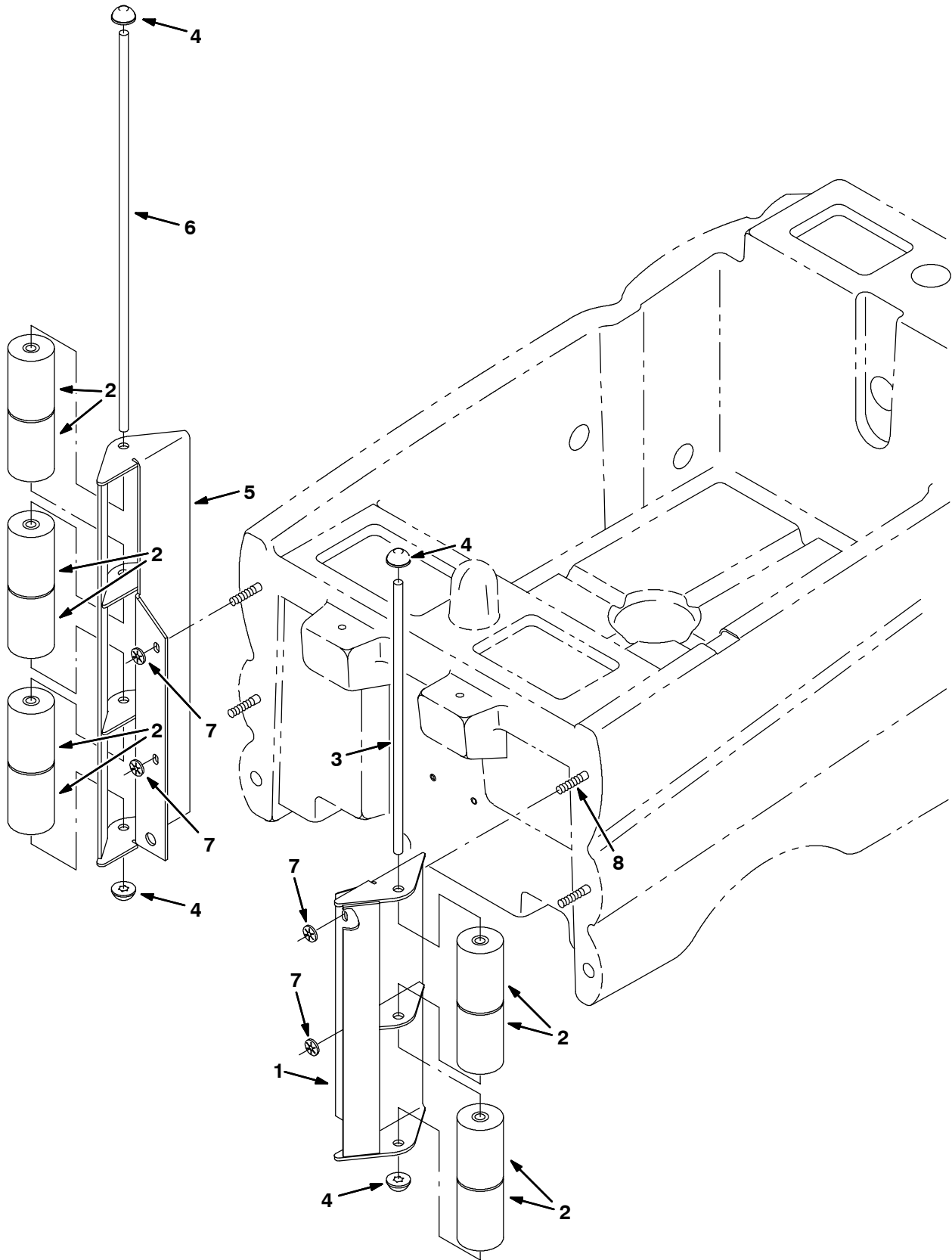
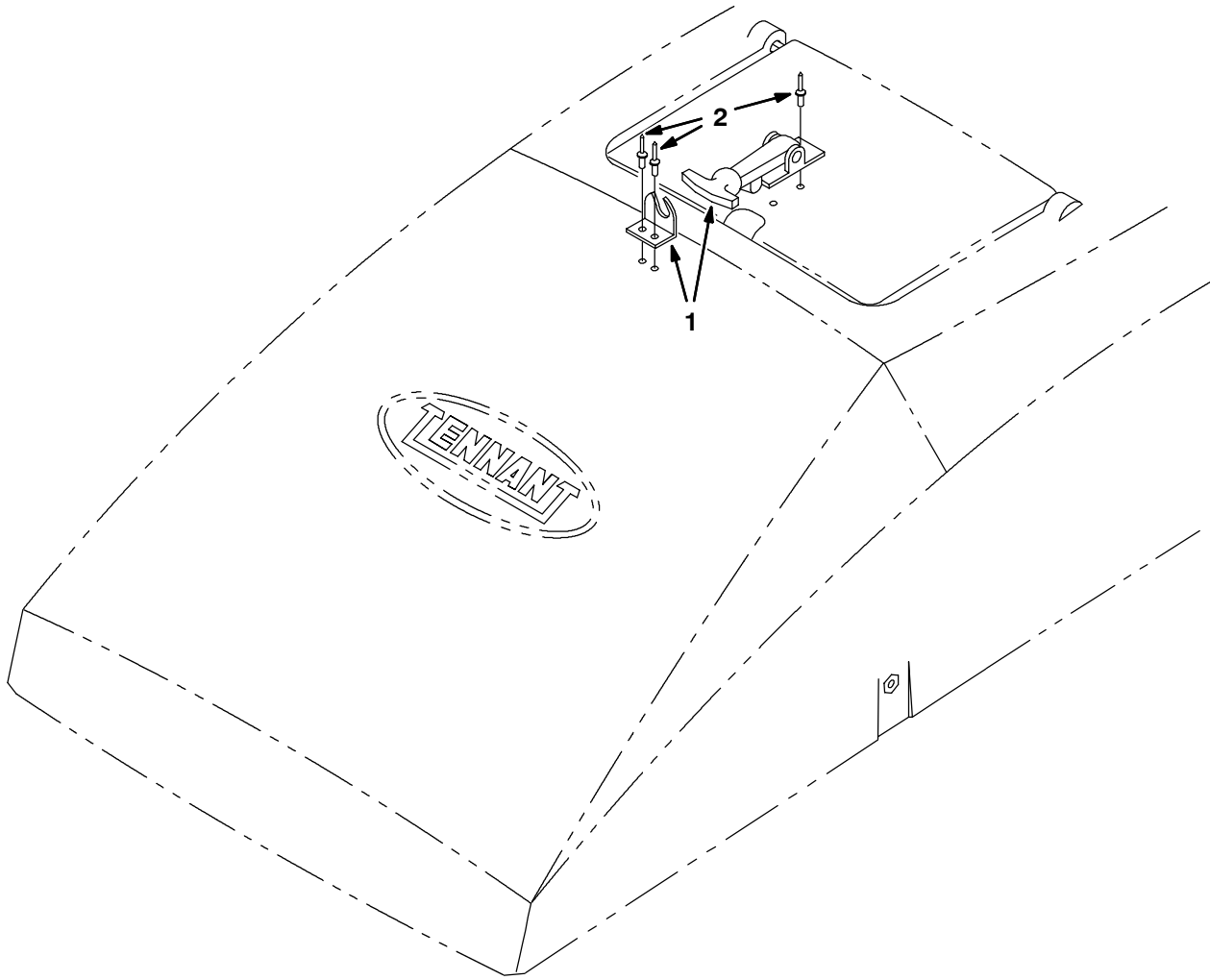


Fig. 10 - Wall Roller Kit

	Ref.	Tennant Part No.	Machine Serial Number	Description	Qty.
▽		222663	(000000-) Wall Roller Kit 5700	1
▲	1	222478	(000000-) Bracket Wldt, Wall Roller, Lh	1
▲	2	222796	(000000-) Roller	10
▲	3	222475	(000000-) Shaft, Roller	1
▲	4	222479	(000000-) Pushnut	4
▲	5	222477	(000000-) Bracket Wldt, Wall Roller, Rh	1
▲	6	222476	(000000-) Shaft, Roller	1
▲	7	222768	(000000-) Pushnut	4
▲	8	30327	(000000-) Rod, Thrd, 2 End M08X1.25 01.4	4

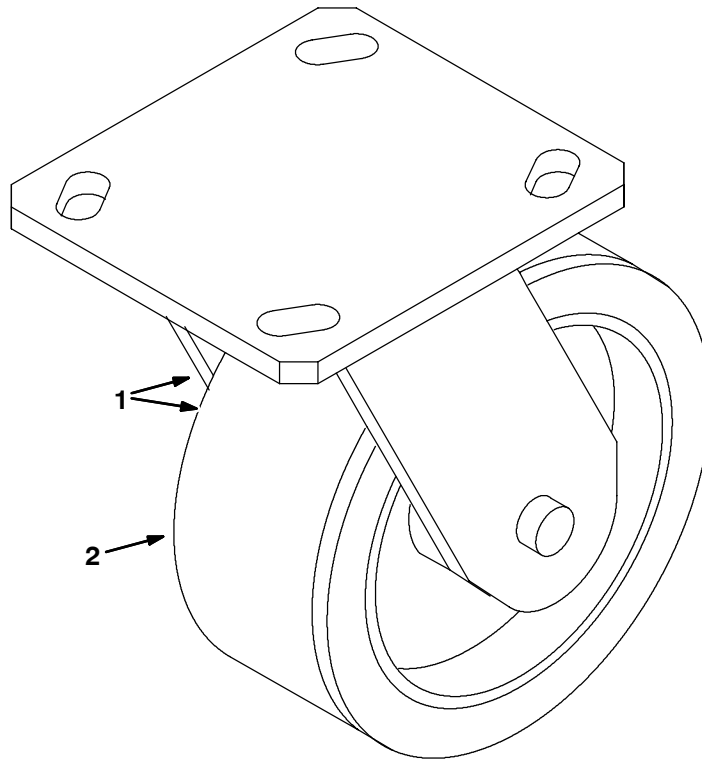
Fig. 11 - Transport Group



10289 - 5700, EE, XP, XPS, NA, JP

Ref.	Tennant Part No.	Machine Serial Number	Description	Qty.
1	11636	(000000-) Latch, Draw, Flexible	1
2	01335	(000000-) Rivet, Pop-.125Dx.44X.25Dhd Al	4

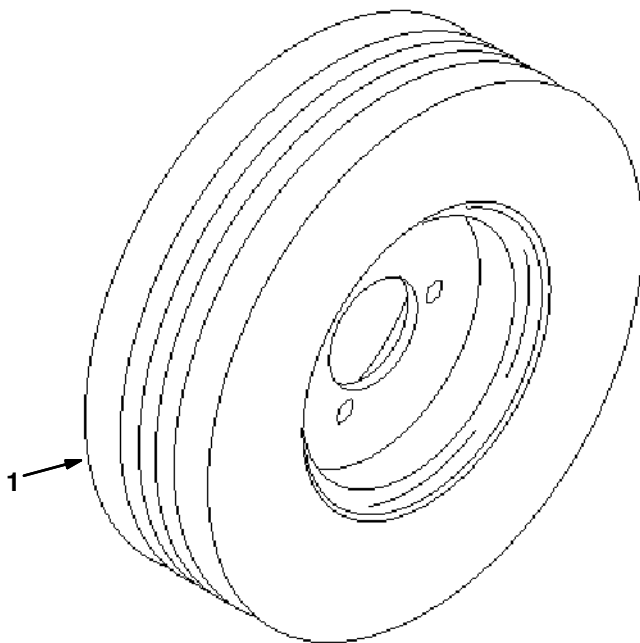
Fig. 12 - Neoprene Caster Group



10274 - 5700, EE, XP, XPS, NA, JP

	Ref.	Tennant Part No.	Machine Serial Number	Description	Qty.
▽	1	222458	(000000-)	Caster, 5.0 Dia Wheel, Neopre	2
▲	2	222354	(000000-)	Wheel Assy, 5.0 Neoprene	1

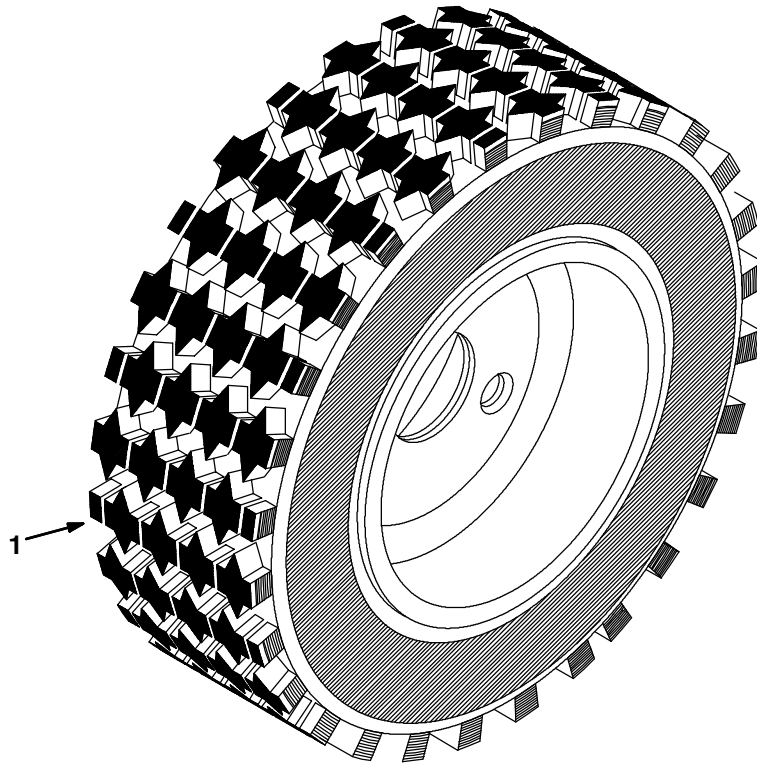
Fig. 13 - Solid Tire Group



10060 - ALL

Ref.	Tennant Part No.	Machine Serial Number	Description	Qty.
1	369345	(000000-) Tire & Rim Assy 12.3 Dia Solid	2

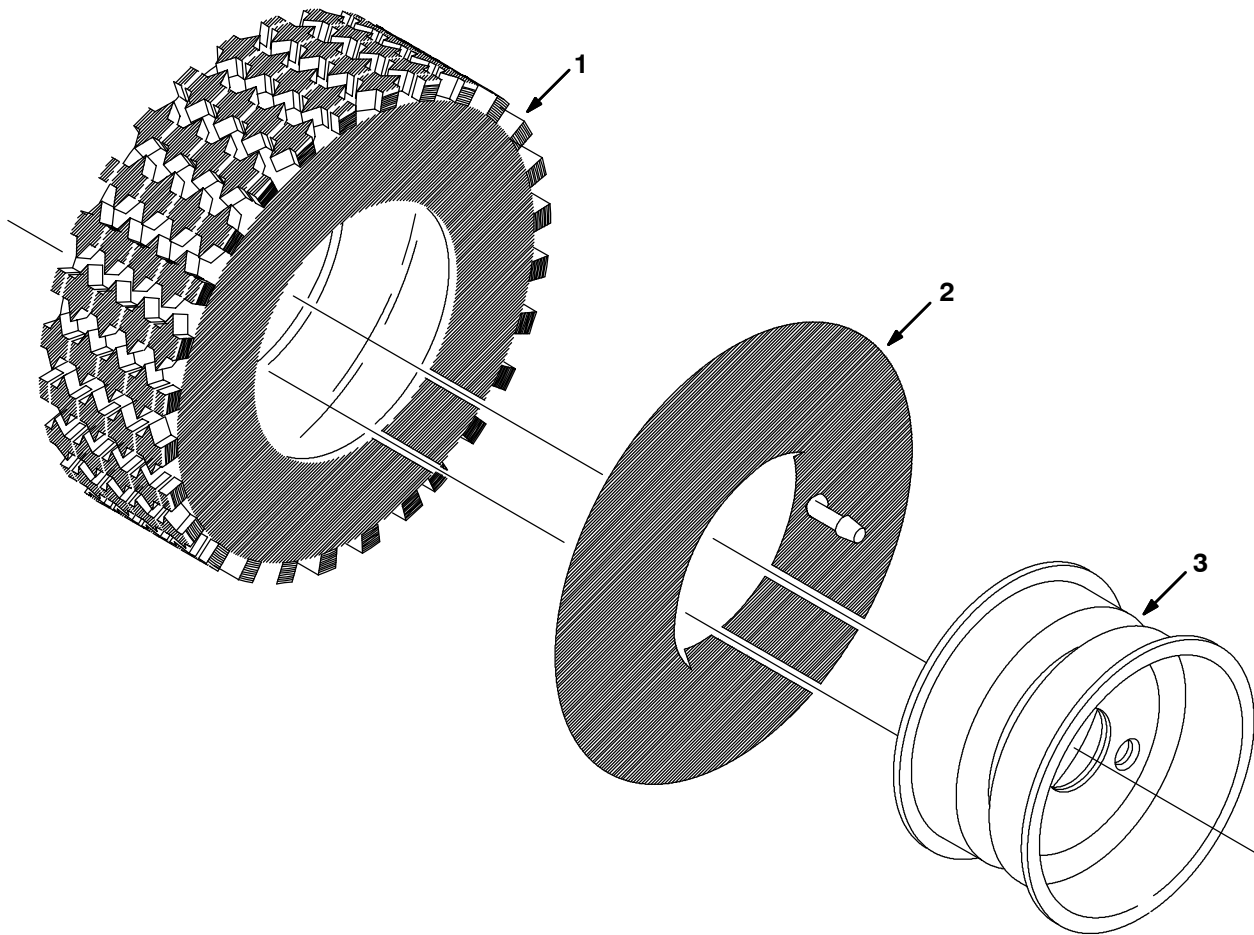
Fig. 14 - Foam Filled Tire Group



10602 - 5700, EE, XP, XPS, NA, JP

Ref.	Tennant Part No.	Machine Serial Number	Description	Qty.
1	374044	(000000-)	Tire & Rim Assy Foam Filled, Black	2
1	61598	(000000-)	Tire & Rim Assy Foam Filled, Gray	2

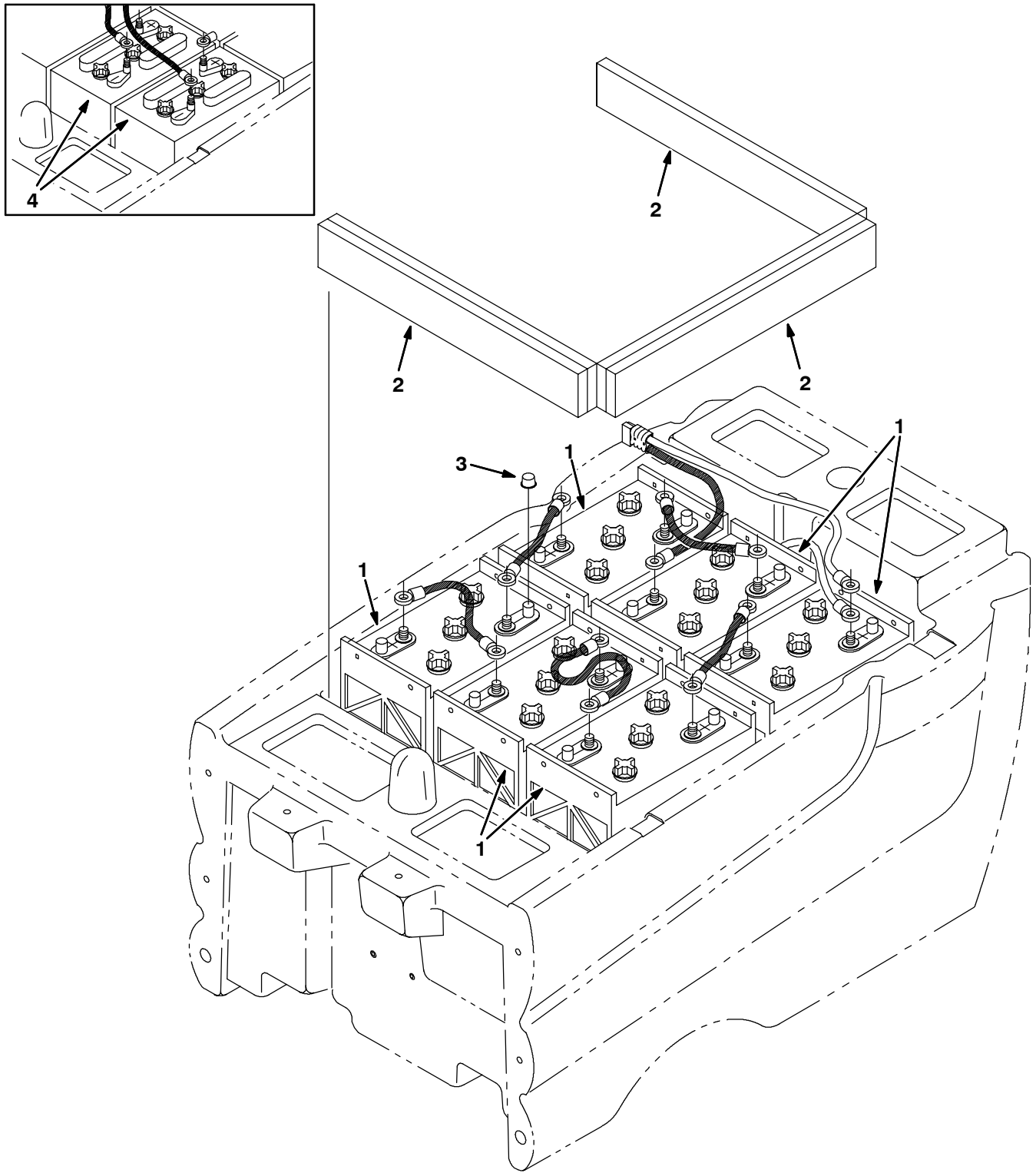
Fig. 15 - Tire and Rim Assembly, Gray



04200 - 5700, EE, XP, XPS, NA, CE

Ref.	Tennant Part No.	Machine Serial Number	Description	Qty.
▽	61597	(000000-) Tire and Rim Assembly, Gray	2
▲ 1	61596	(000000-) Tire, Gray	1
▲ 2	04658	(000000-) Tube, Inner	1
▲ 3	04657	(000000-) Rim	1

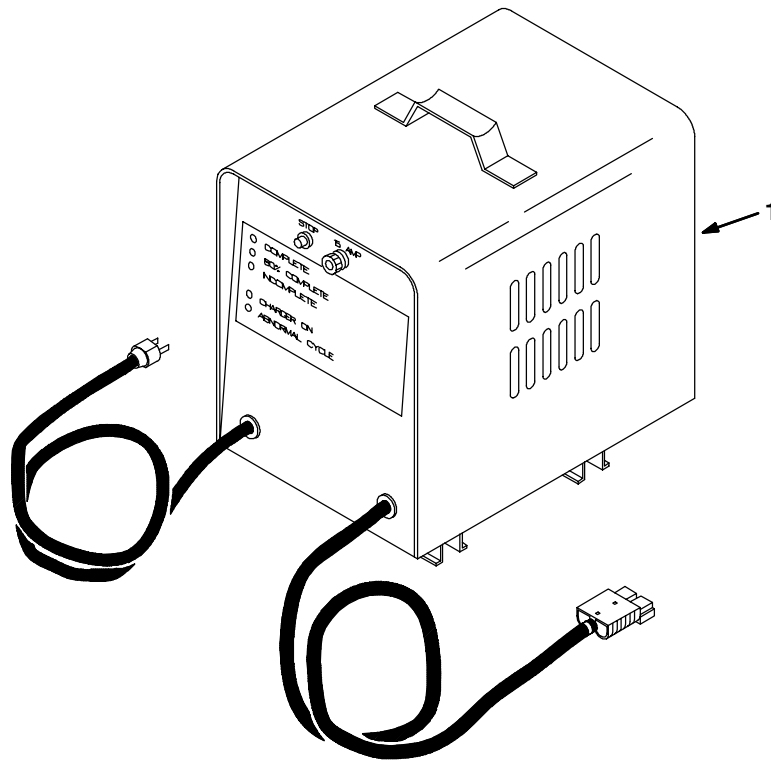
Fig. 16 - Heavy Duty Battery Kit, Wet, 335AH



10270 - 5700, XP, XPS, NA

Ref.	Tennant Part No.	Machine Serial Number	Description	Qty.
▽	222777	(000000-) Battery Kit 36V 335Ah Wet	1
▲	1 222846	(xxxxxx-) Battery, 6V, Res Cap:196 Wet	6
▲	2 222473	(000000-) Spacer, Battery .62X1.5X21.0	5
▲	3 223641	(000000-) Cap, Battery	6
	4 222852	(000000- xxxxxx) Replm Kit, Battery 6V/335 Wet	6

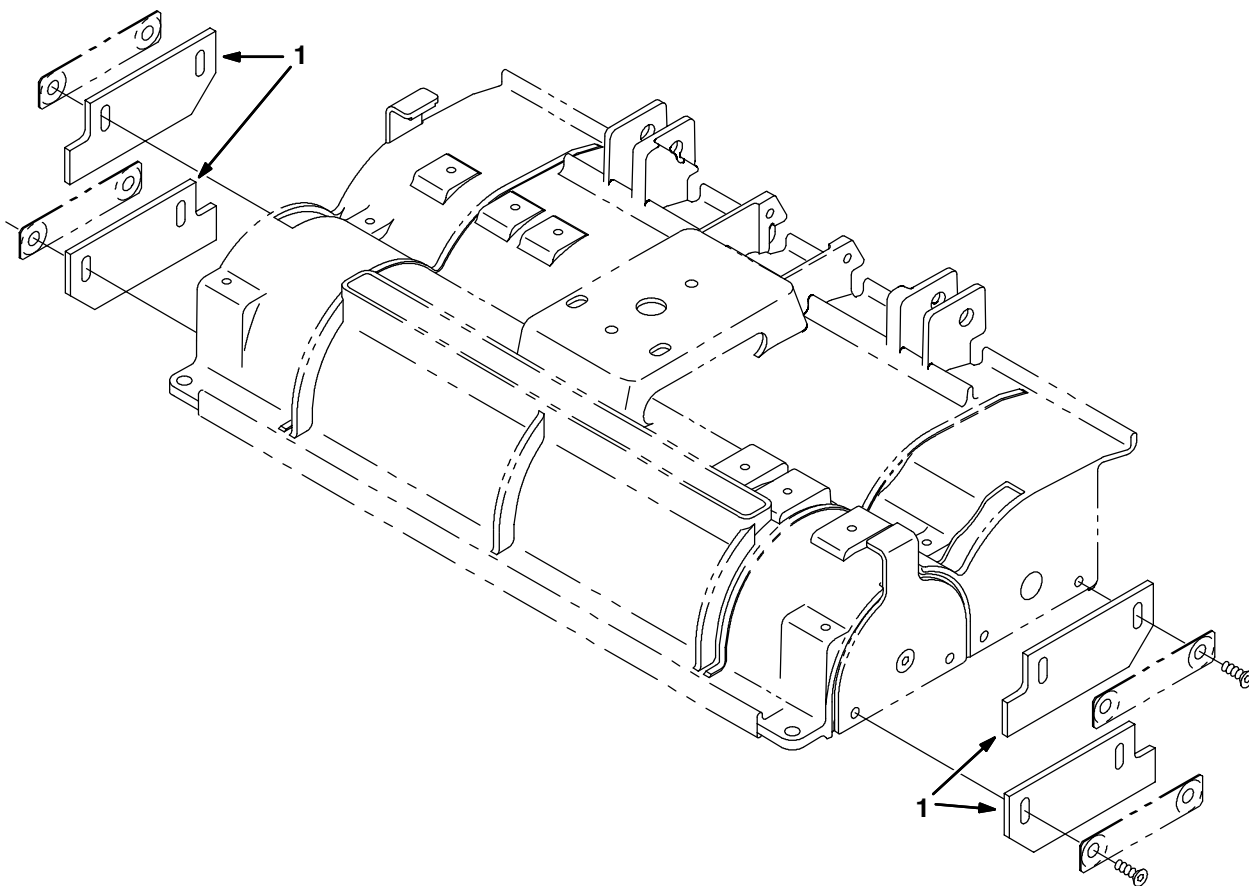
Fig. 17 - Battery Charger Group



08080 - 5700, XP, XPS, NA

Ref.	Tenant Part No.	Machine Serial Number	Description	Qty.
1	24685	(000000- xxxxxx)	Charger, 36V/20A 60H/ Ph 115V (See Breakdowns) (Replaced by 364014)	1
1	374014	(xxxxxx-)	Charger, 36V/20A/60H/1Ph/115V (See Breakdowns)	1
1	222594	(000000- xxxxxx)	Charger, 36V/30A 60H/1Ph 115V (See Breakdowns) (Replaced by 364015)	1
1	374015	(xxxxxx-)	Charger, 36V/30A/60H/1Ph/115V (See Breakdowns)	1
International Only				
1	65540	(000000-)	Charger, 36V/20A 50H/ Ph 230V (See Breakdowns)	1
1	65740	(000000-)	Charger, 36V/20A 50H/1Ph 245V (See Breakdowns)	1
1	222595	(000000-)	Charger, 36V/30A 50H/1Ph 230V (See Breakdowns)	1
1	222691	(000000-)	Charger, 36V/30A 50H/1Ph 245V (See Breakdowns)	1

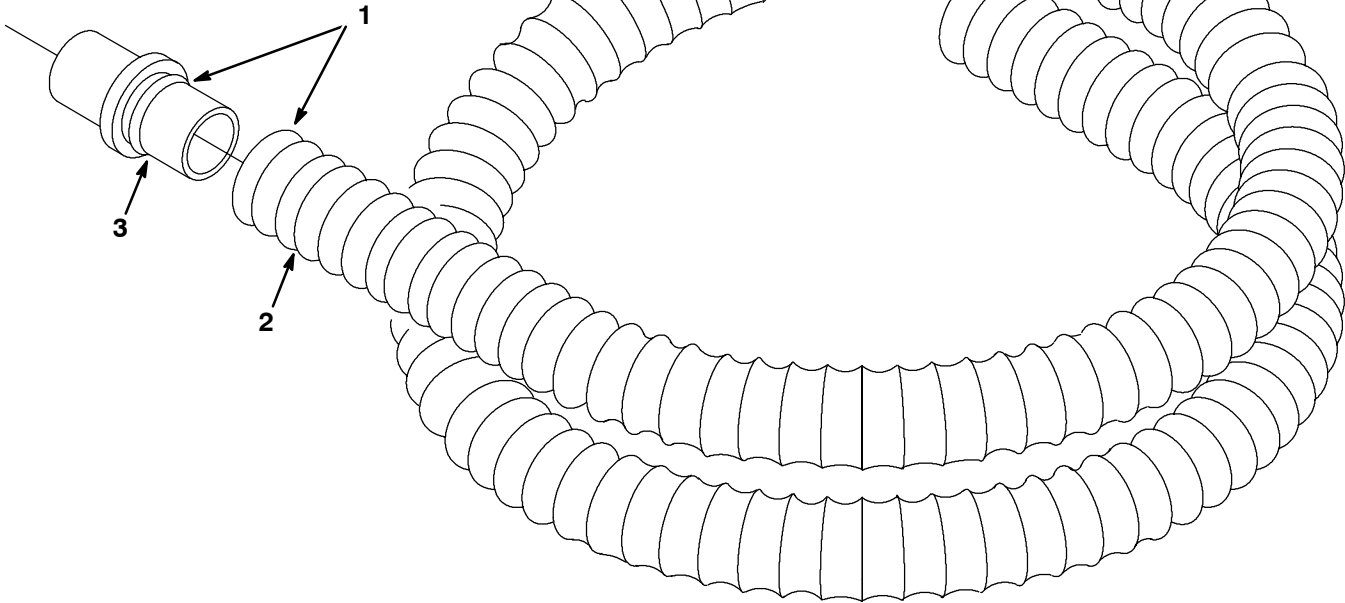
Fig. 18 - Urethane Scrub Head Skirt Kit



10604 - ALL

Ref.	Tennant Part No.	Machine Serial Number	Description	Qty.
▽	222819	(000000-)	Skirt Kit, Urethane, Scrubber Head	1
▲ 1	222808	(000000-)	Skirt, Scrub Head	4

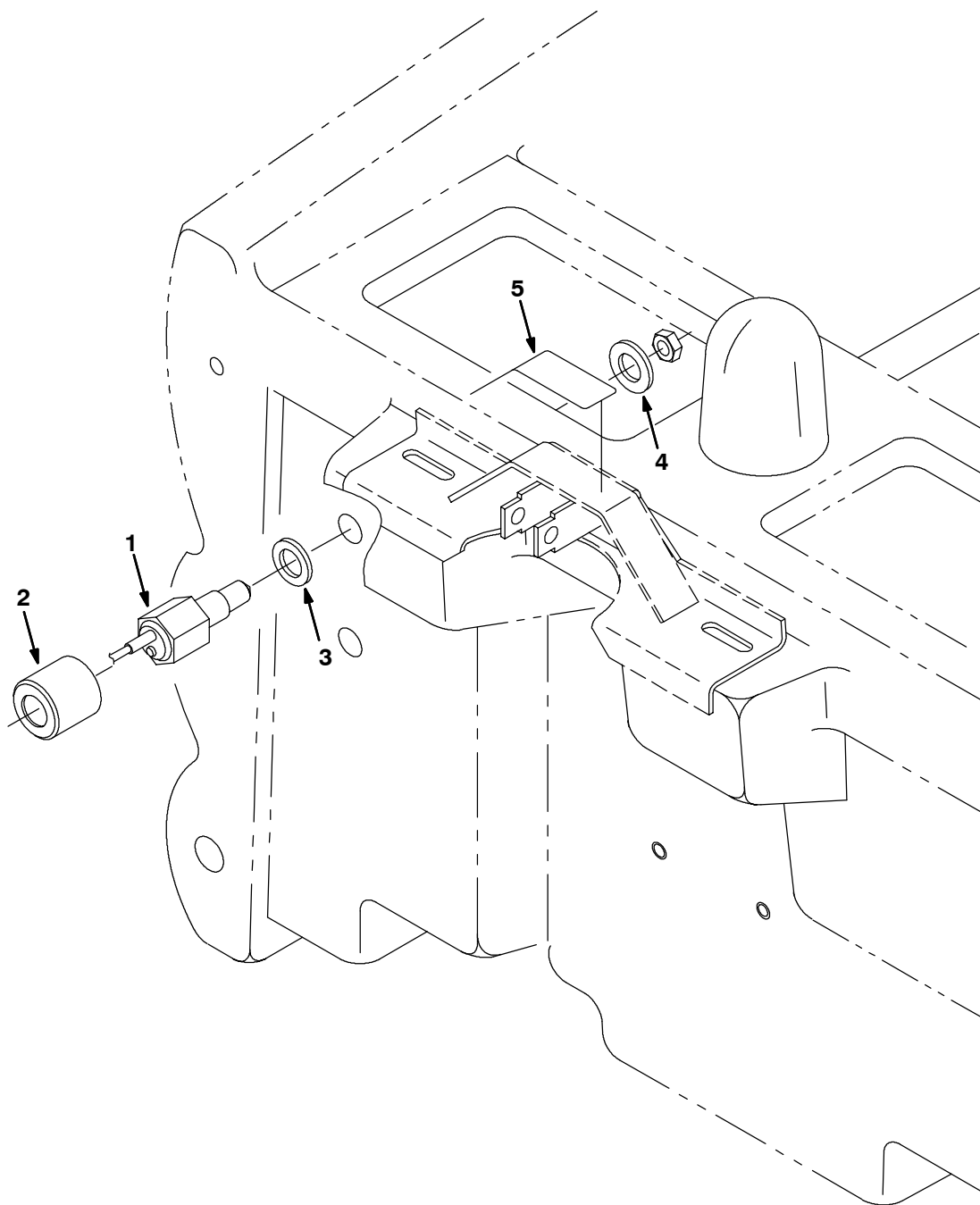
Fig. 19 - Drain Hose Extension Kit



352013 - 5700, EE, XP, XPS, NA, CE

Ref.	Tennant Part No.	Machine Serial Number	Description	Qty.
▽	378729	(000000-) Hose, Drain, Extension	1
▲▽ 1	378728	(000000-) Hose Assy, Drain	1
▲▲ 2	378726	(000000-) Hose, Drain	1
▲▲ 3	12694	(000000-) Ftg, Plastic, Coupling	1

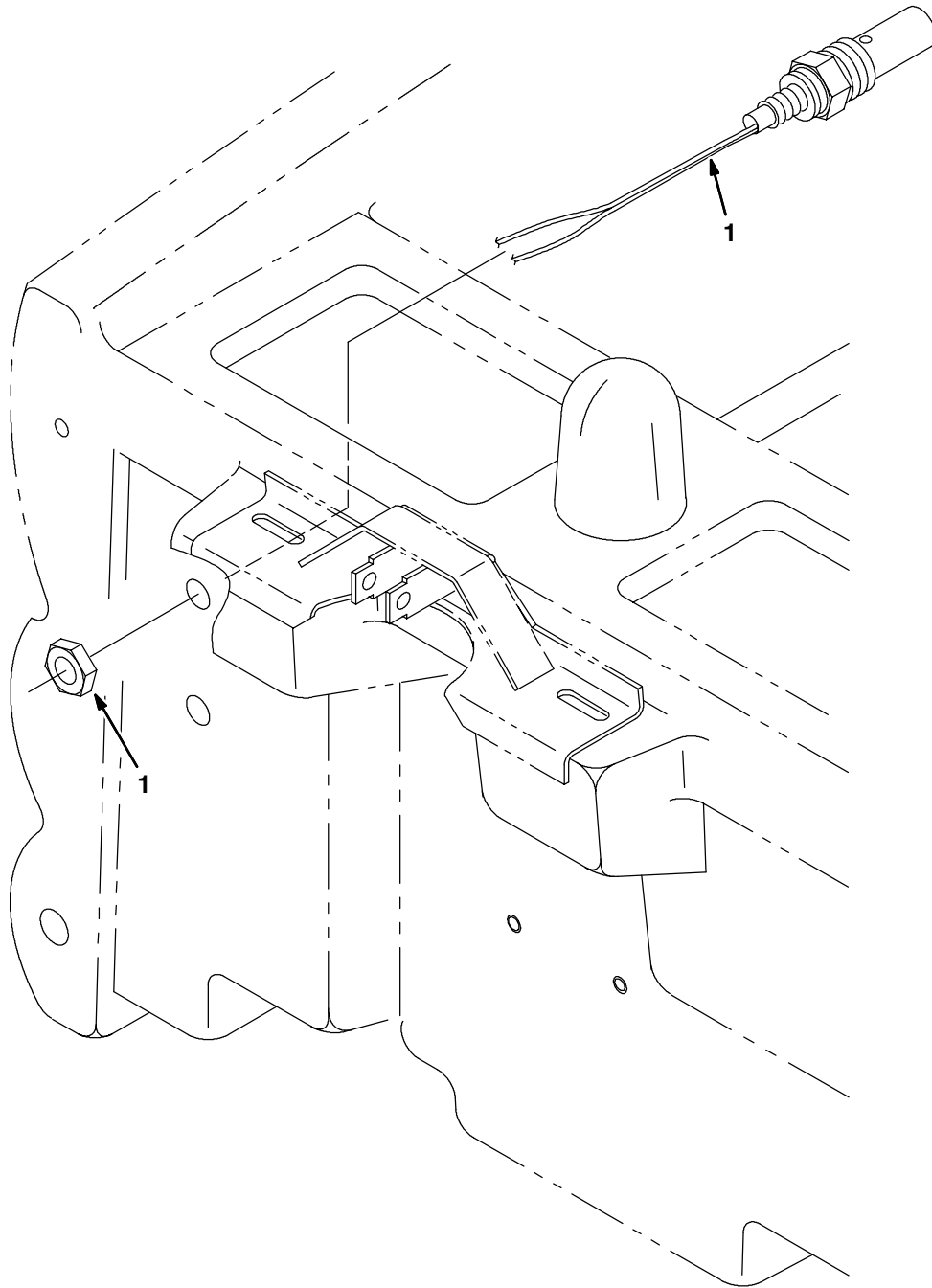
Fig. 20 - Optical Sensor Kit



352090 - 5700, EE, XP, XPS, NA, CE

Ref.	Tennant Part No.	Machine Serial Number	Description	Qty.
▽	374046	(000000-) Kit, Sensor, Optical	1
▲ 1	374045	(000000-) Sensor, Optical	1
▲ 2	374072	(000000-) Cap, Vinyl, 1.25Id, .75Dia	1
▲ 3	01316	(000000-) Washer, .660B 1.00D .12Rbr	1
▲ 4	04400	(000000-) Washer-Flt 17 X 30 X3 Ss M16	1
▲ 5	222845	(000000-) Label, Clean Level Sensor Daily	1

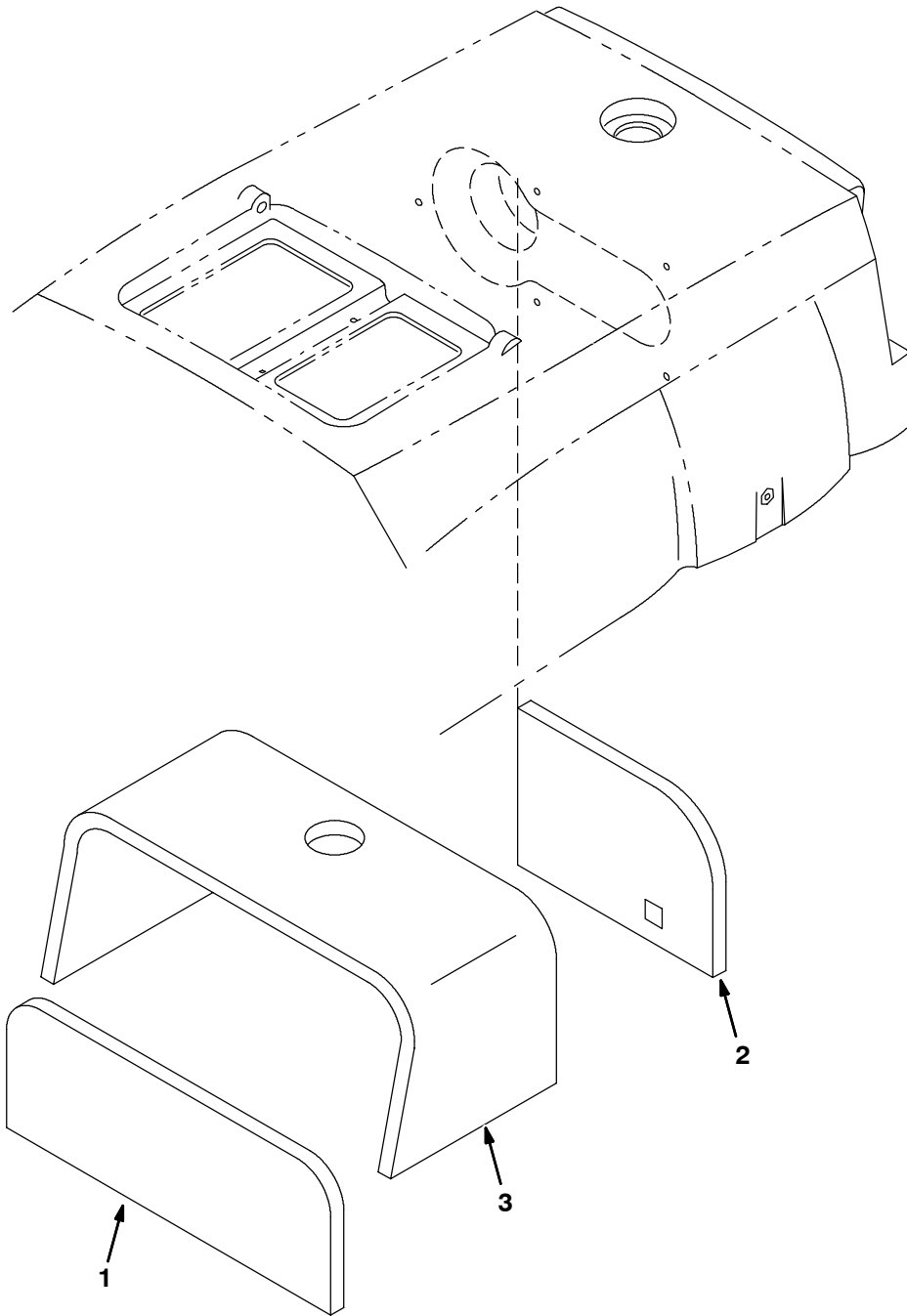
Fig. 21 - Shielded Sensor Kit



353201 - 5700, EE, XP, XPS, NA, CE

Ref.	Tennant Part No.	Machine Serial Number	Description	Qty.
▽	374109	(000000-)	Kit, Sensor, Shielded	1
▲ 1	374078	(000000-)	Switch, Float	1

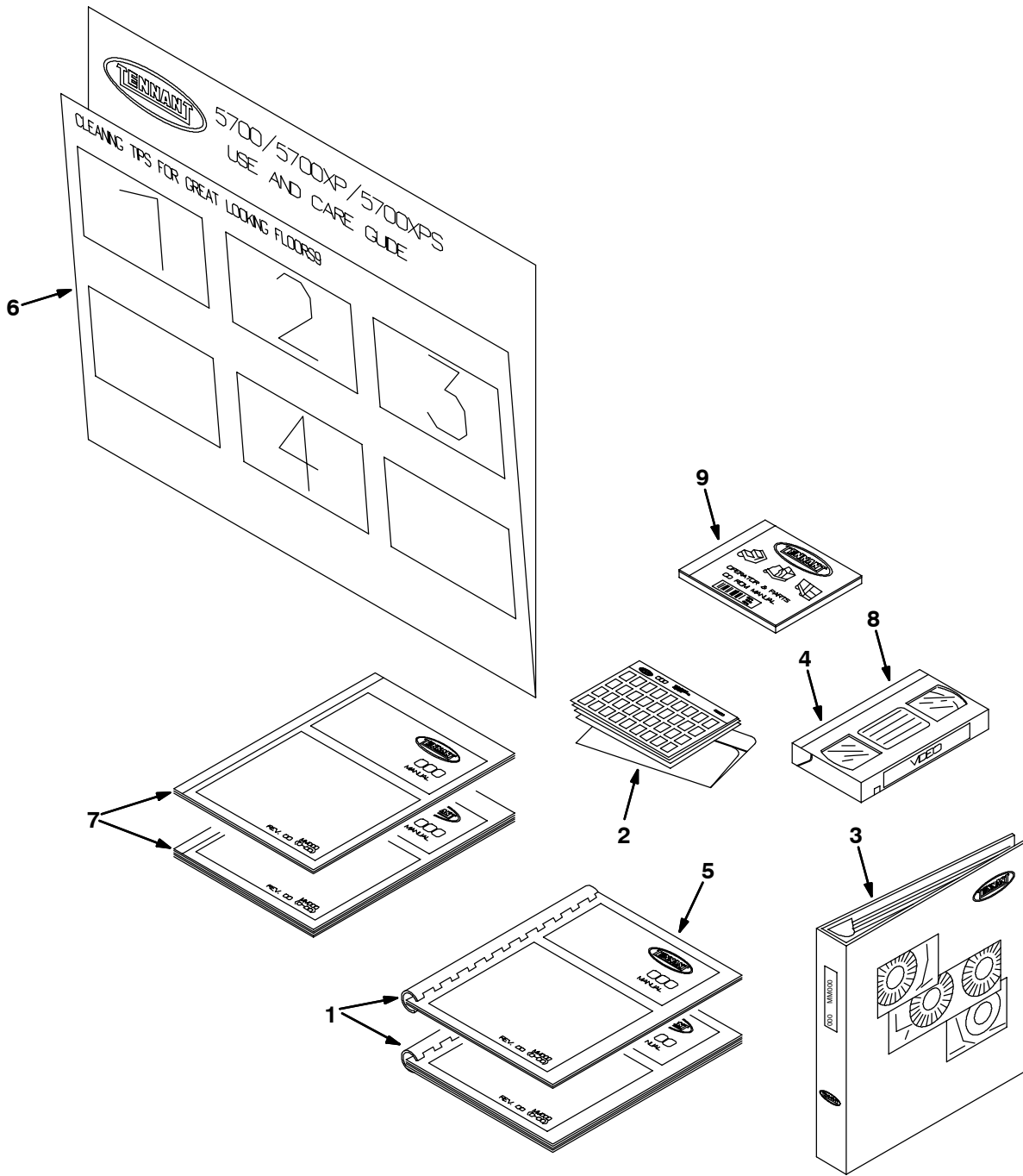
Fig. 22 - Sound Reduction Kit



352092 - 5700, XP, XPS, NA, CE

Ref.	Tennant Part No.	Machine Serial Number	Description	Qty.
▽	374076	(000000-)	Kit, Sound Reduction	1
▲ 1	374073	(000000-)	Insulation, Sound	1
▲ 2	374074	(000000-)	Insulation, Sound	1
▲ 3	374075	(000000-)	Insulation, Sound	1

Fig. 23 - Documentation Group



07501 - XPS, NA

Ref.	Tenant Part No.	Machine Serial Number	Description	Qty.
1	MM402	(000000-)	Manual Package 5700XPS	1
2	85402	(000000-)	Manual-Fiche Pkg 5700XPS	1
3	MM406	(000000-)	Manual, Service 5700	1
4	21556	(000000-)	Sales Video, 5700 Operation	1
5	MM402ES	(000000-)	Manual, OP/MT 5700XPS, Spanish	1
5	MM402FR	(000000-)	Manual, OP/MT 5700XPS, French	1
6	222878	(000000-)	Instructions, Machine, 5700	1
7	MM402JP	(000000-)	Manual Package 5700XPS Japanese	1
8	21557	(000000-)	Video, Sales, Operation, 5700 Pal	1
9	330710	(000000-)	Manual, Cd-Rom, Oprtr & Parts, All (NA)	1

SECTION 4

Contents	Page
Fig. 1 - Transaxle Drive Breakdown, 222038 ...	4-2
Fig. 2 - Transaxle Motor Breakdown, 222372 ..	4-4
Fig. 3 - Electric Motor Breakdown, 222753	4-5
Fig. 4 - Electric Motor Breakdown, 222490	4-6
Fig. 5 - Electric Motor Breakdown, 374175	4-7
Fig. 6 - Electric Motor Breakdown, 222806	4-8
Fig. 7 - Electric Motor Breakdown, 222255	4-9
Fig. 8 - Electric Motor Breakdown, 17363	4-10
Fig. 9 - Electric Motor Breakdown, 398520	4-12
Fig. 10 - Water Pump Breakdown, 222259	4-14
Fig. 11 - Battery Charger Breakdown, 60 Hz, 115V (235 Ah batteries), 24685	4-15
Fig. 12 - Battery Charger Breakdown, 60 Hz, 115V (235 Ah batteries), 374014	4-16
Fig. 13 - Battery Charger Breakdown, 60 Hz, 115V (305 Ah batteries), 222594	4-17
Fig. 14 - Battery Charger Breakdown, 60 Hz, 115V (305 Ah batteries), 374015	4-18
Fig. 15 - Battery Charger Breakdown, 50 Hz, 230V (235 Ah batteries), 65540	4-19
Fig. 16 - Battery Charger Breakdown, 50 Hz, 245V (235 Ah batteries), 65740	4-20
Fig. 17 - Battery Charger Breakdown, 50 Hz (305 Ah batteries), 222595	4-21
Fig. 18 - Battery Charger Breakdown, 50 Hz (305 Ah batteries), 222691	4-22

Fig. 1 - Transaxle Drive Breakdown, 222038

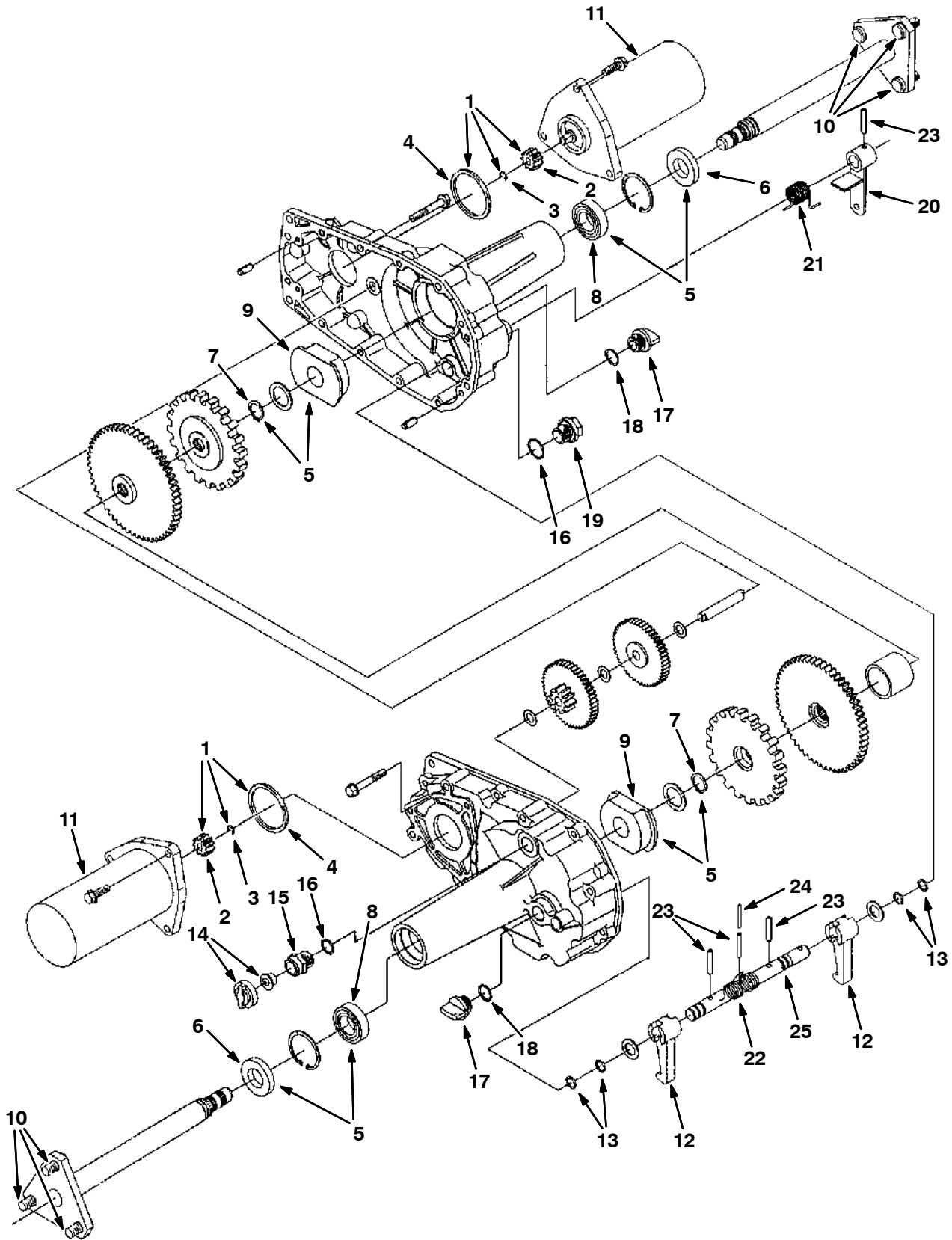
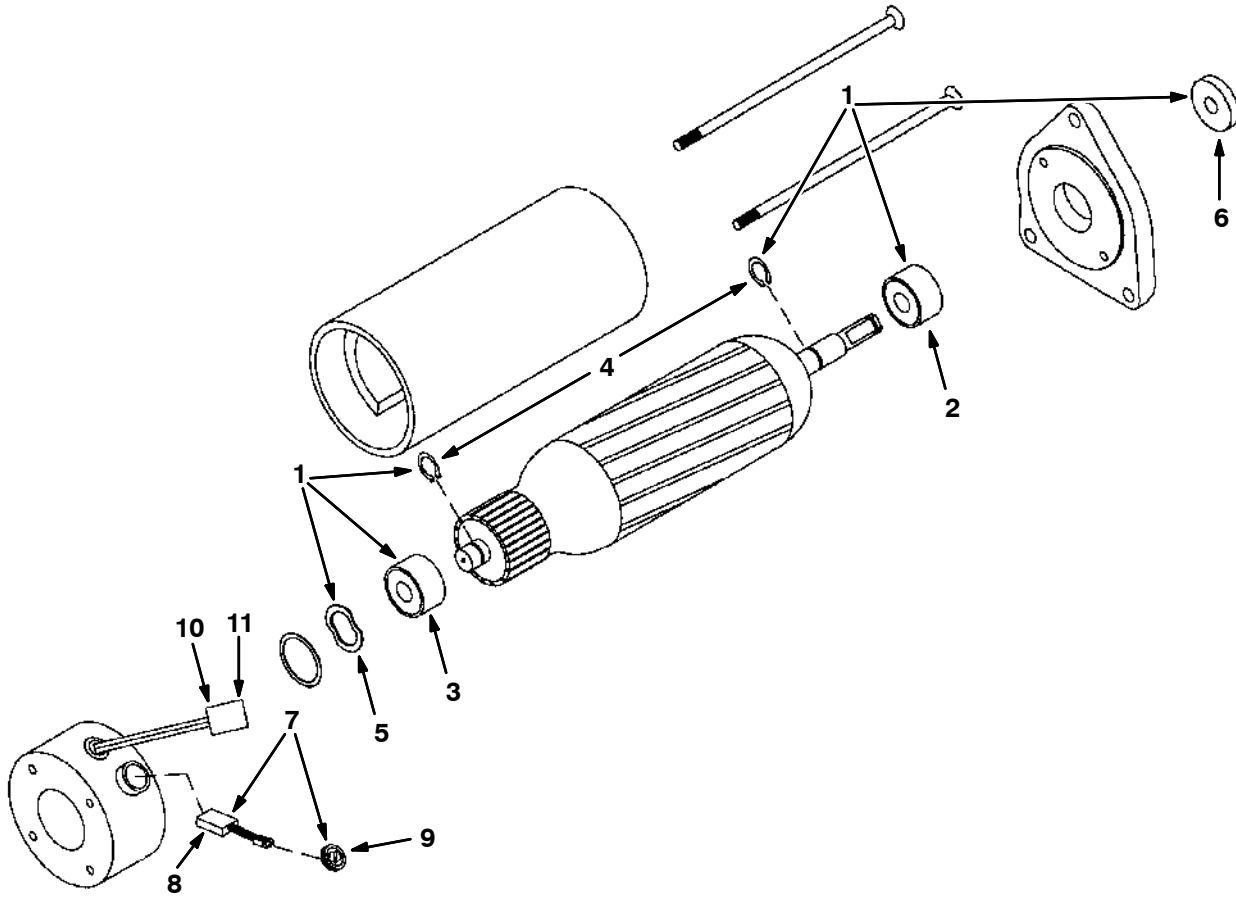


Fig. 1 - Transaxle Drive Breakdown, 222038

	Ref.	Tennant Part No.	Manufacturer Serial Number	Description	Qty.
	▽	222038	(000000-) Transaxle, Dual Drive	1
	▲▽	1 222640	(000000-) Mtr Gear Kit	2
	▲▲	2 222599	(000000-) Pinion Gear	1
	▲▲	3 222656	(000000-) Clip	1
	▲▲	4 222657	(000000-) O-Ring	1
	▲▽	5 222641	(000000-) Brg&Seal Kit	1
	▲▲	6 222658	(000000-) Seal	2
	▲▲	7 222659	(000000-) Snap Ring	2
	▲▲	8 222660	(000000-) Bearing	2
	▲▲	9 222661	(000000-) Bushing	2
	▲	10 11117	(000000-) Stud, Wheel .44-20 X1.22	6
	▲	11 222372	(000000-) Motor,Elec,0.2Hp36V.Dc,2100Rpm (See Breakdowns)	1
	▲	12 374051	(000000-) Pawl, Park	2
	▲	13 374052	(000000-) Packing, Pawl	4
	▲	14 374053	(000000-) Vent, Valve	1
	▲	15 374054	(000000-) Plug, Breather	1
	▲	16 374055	(000000-) Packing, Breather	2
374056	▲	17 375056	(000000-) Cap, Oil	2
	▲	18 374057	(000000-) Packing, Cap	2
	▲	19 374058	(000000-) Plug, Drain	1
	▲	20 374061	(000000-) Arm, Park	1
	▲	21 374062	(000000-) Spring, Return	1
	▲	22 374063	(000000-) Spring, Park	1
	▲	23 374064	(000000-) Pin, Roll 6-32	4
	▲	24 374065	(000000-) Pin, Roll 3.5-32	1
	▲	25 374066	(000000-) Shaft, Parking	1

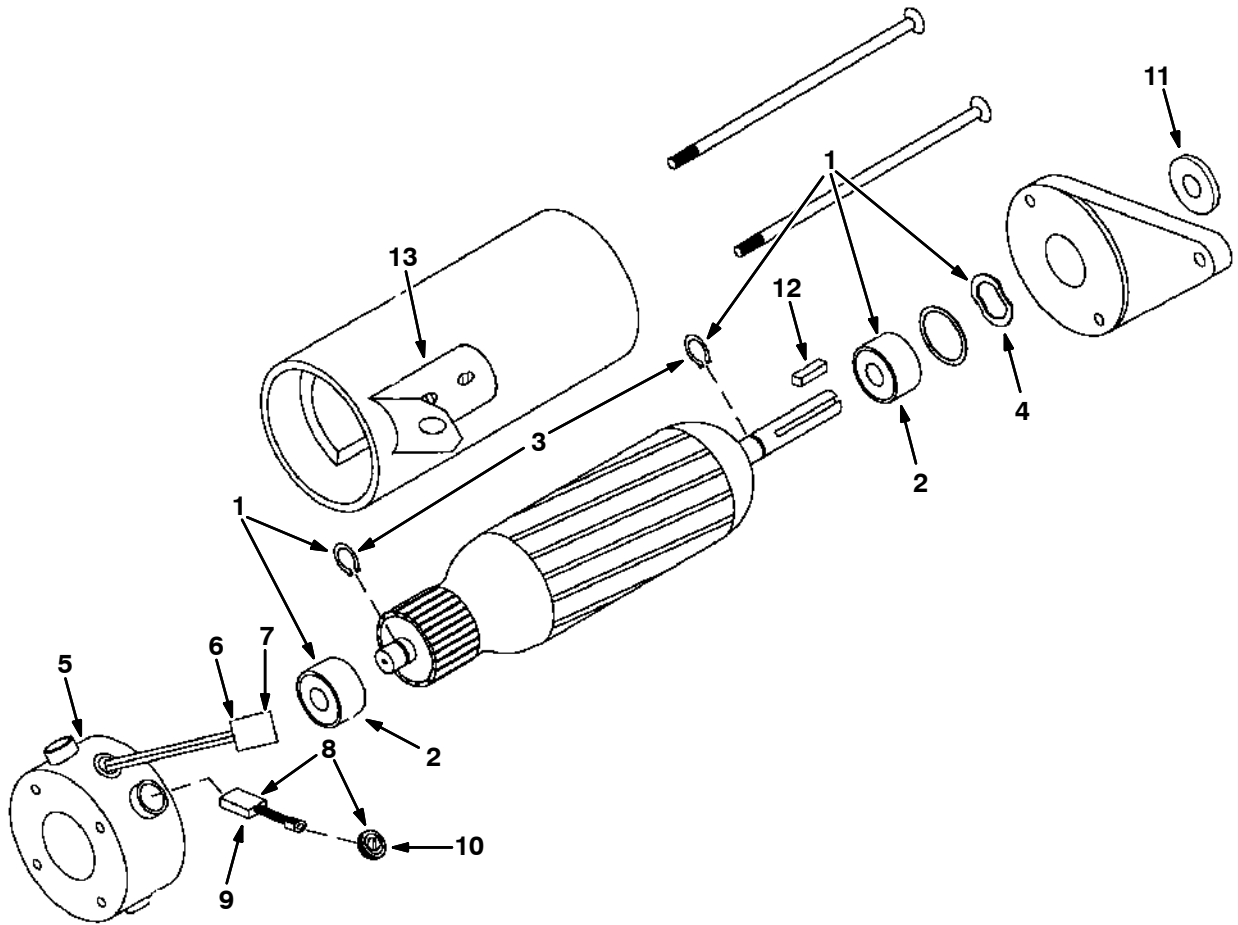
Fig. 2 - Transaxle Motor Breakdown, 222372



10297 - XPS, NA, JP, CE

Ref.	Tennant Part No.	Manufacturer Serial Number	Description	Qty.	
▽	222372	(000000-) Motor, Elec, 0.2Hp36V.Dc, 2100Rpm	1	
▲▽	1	222621	(000000-) Bearing & Seal Kit	1
▲▲	2	222630	(000000-) Bearing	1
▲▲	3	222631	(000000-) Bearing	1
▲▲	4	222632	(000000-) Snap Ring	2
▲▲	5	222633	(000000-) Wavy Washer	1
▲▲	6	222634	(000000-) Seal	1
▲▽	7	222624	(000000-) Brush Kit	1
▲▲	8	222626	(000000-) Brush&Spring Assy	2
▲▲	9	222628	(000000-) Brush Holder Cap	2
▲▽	374081	(000000-) Bracket Assembly, Motor, Rear	1	
▲▲	10	10925	(000000-) Connector, 2 Conductor	1
▲▲	11	24537	(000000-) Terminal, Female	2

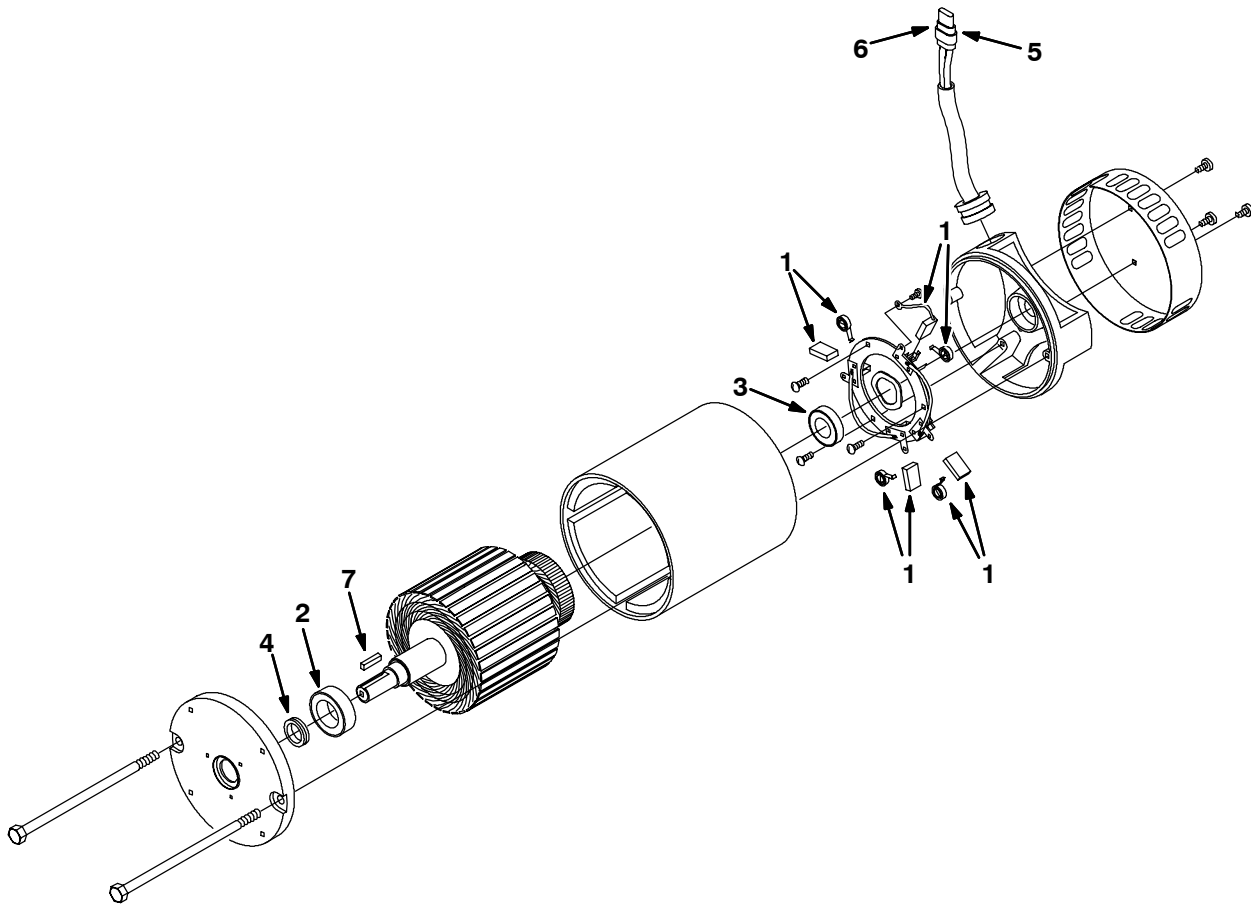
Fig. 3 - Electric Motor Breakdown, 222753



10301 - ALL

Ref.	Tennant Part No.	Manufacturer Serial Number	Description	Qty.
▽	222753	(000000-) Motor, .75 Hp, 36V, 1700Rpm	1
▲▽	1 222623	(000000-) Bearing Kit	1
▲▲	2 222635	(000000-) Bearing	2
▲▲	3 222637	(000000-) Snap Ring	2
▲▲	4 222638	(000000-) Wavy Washer	1
▲▽	5 374004	(000000-) End Ass'y, Brush	1
▲▲	6 10925	(000000-) Connector, 2 Conductor	1
▲▲	7 24537	(000000-) Terminal, Female	2
▲▽	8 222625	(000000-) Brush Kit	1
▲▲	9 222627	(000000-) Brush&Spring Assy	4
▲▲	10 222629	(000000-) Brush Holder Cap	4
▲	11 20536-2	(000000-) Washer, .467B 1.19D .03Nylon	1
▲	12 00954	(000000-) Key, Square 0.12 0.12 0 1.00 Lg	1
▲	13 222877	(000000-) Brace Kit	1

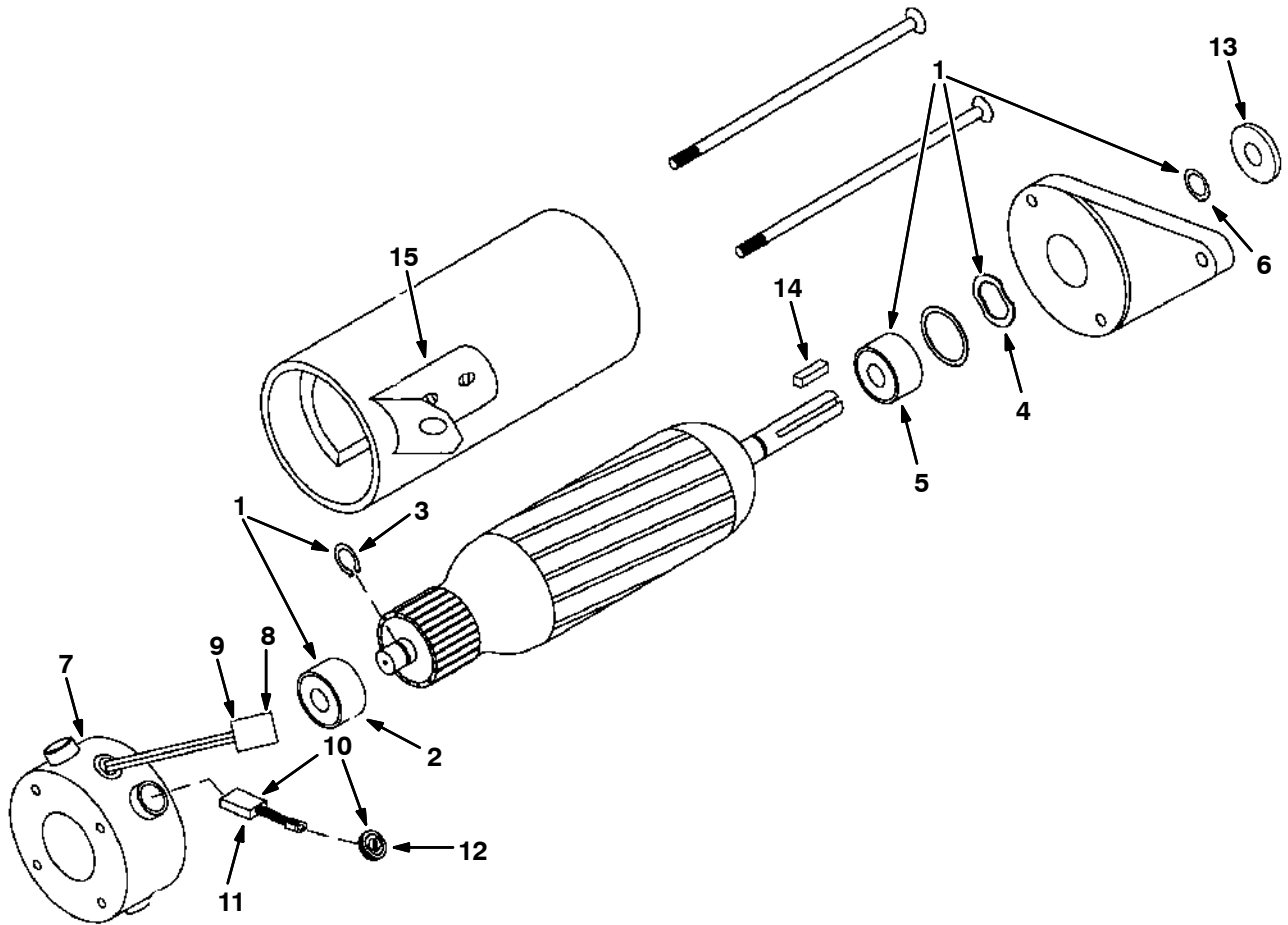
Fig. 4 - Electric Motor Breakdown, 222490



10074 - 5700, XP, XPS, NA, JP, CE

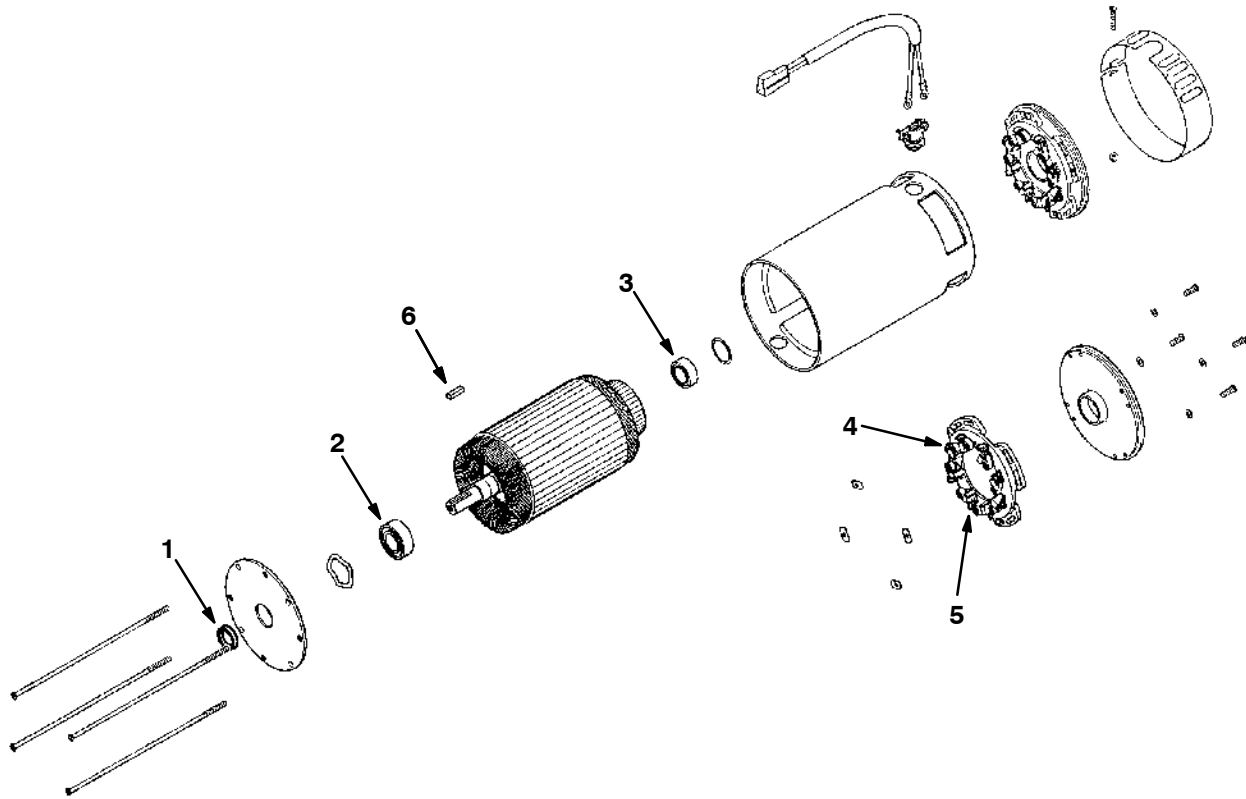
Ref.	Tennant Part No.	Manufacturer Serial Number	Description	Qty.	
▽	222490	(000000-) Motor Assy, Elec, Brush, 0.6Hp	1	
▲	1	222606	(000000-) Brush Kit	1
▲	2	222616	(000000-) Bearing	1
▲	3	222617	(000000-) Bearing	1
▲	4	222619	(000000-) Oil Seal	1
▲	5	10925	(000000-) Connector, 2 Conductor	1
▲	6	24537	(000000-) Terminal, Female	2
▲	7	00928	(000000-) Key Square 0.25 0.25 01.00 Lg	1

Fig. 5 - Electric Motor Breakdown, 374175



Ref.	Tennant Part No.	Manufacturer Serial Number	Description	Qty.	
▽	374175	(000000-) Motor Assy, Ele, 36Vdc, 0.75Hp, 1700Rpm	1	
▲▽	1	375176	(000000-) Kit, Motor Bearing	1
▲▲	2	222635	(000000-) Bearing	1
▲▲	3	222637	(000000-) Ring, Snap	1
▲▲	4	375177	(000000-) Washer, Spring	1
▲▲	5	375178	(000000-) Bearing, Drive End	1
▲▲	6	375179	(000000-) Seal	1
▲▽	7	374004	(000000-) Endbell, Brush End, Motor-Ele	1
▲▲	8	10925	(000000-) Connector, 2-Conductor	1
▲▲	9	24537	(000000-) Terminal, Female	2
▲▽	10	222625	(000000-) Kit, Brush	1
▲▲	11	222627	(000000-) Brush	4
▲▲	12	222629	(000000-) Cap, Brush Holder	4
▲	13	20536-2	(000000-) Washer, 0.47b 1.19d .03, Nyl	1
▲	14	00954	(000000-) Key, Sq, 0.12 X 0.12, 01.00l	1
▲	15	222877	(000000-) Kit, Brace	1

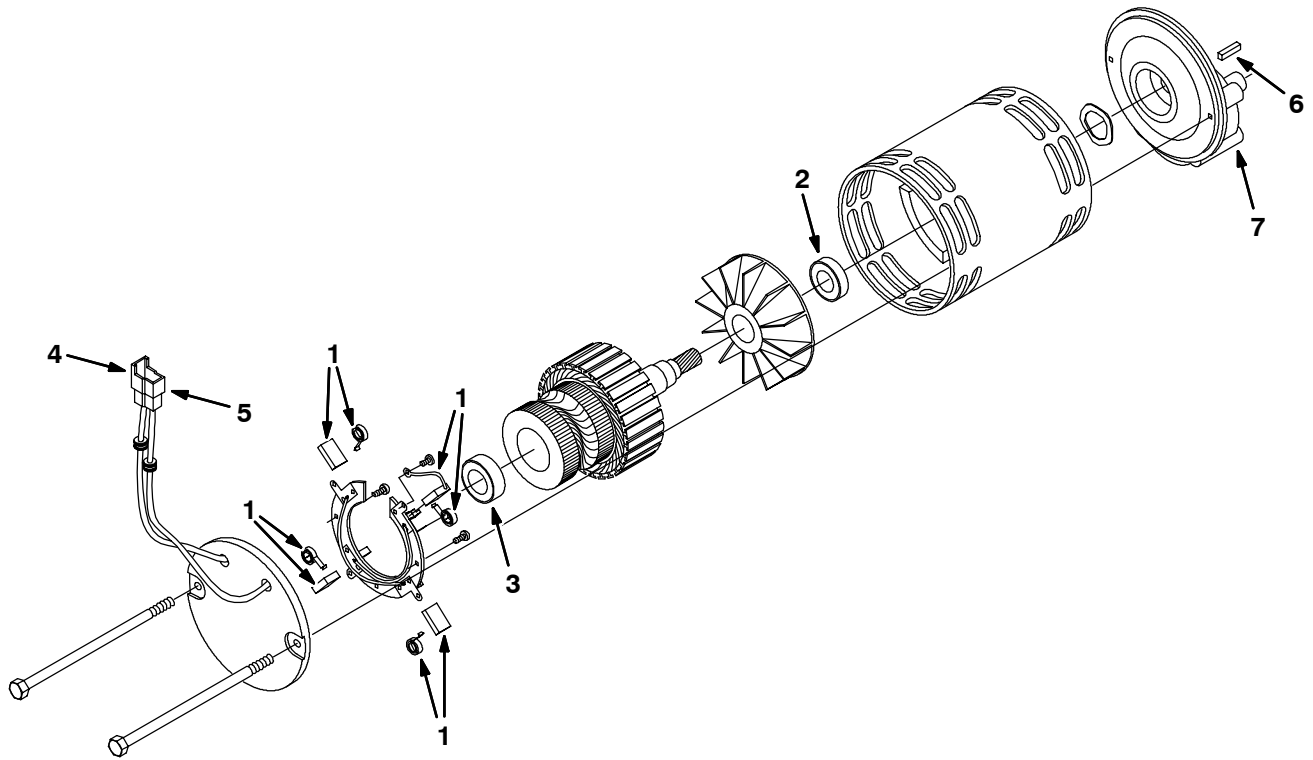
Fig. 6 - Electric Motor Breakdown, 222806



00169 - 5700, XP, XPS, NA, JP

Ref.	Tennant Part No.	Manufacturer Serial Number	Description	Qty.
▽	222806	(000000-) Motor, Electric	1
▲ 1	37637	(000000-) Seal, Oil	1
▲ 2	18626	(000000-) Bearing	1
▲ 3	38378	(000000-) Bearing	1
▲ 4	37643	(000000-) Spring, Brush	4
▲ 5	37638	(000000-) Brush Assembly	4
▲ 6	00926	(000000-) Key, Square 0.25 0.25 0.75 Lg	1

Fig. 7 - Electric Motor Breakdown, 222255



10076 - 5700, XP, XPS, NA, JP, CE

Ref.	Tenant Part No.	Manufacturer Serial Number	Description	Qty.
▽	222255	(000000-) Motor, Gear, 1.0Hp 36V	1
▲	1 222606	(000000-) Brush Kit	1
▲	2 222618	(000000-) Bearing	1
▲	3 222617	(000000-) Bearing	1
▲	4 222620	(000000-) Connector Body	1
▲	5 222649	(000000-) Terminal	2
▲	6 00928	(000000-) Key Square 0.25 0.25 01.00 Lg	1
▲	7 374005	(000000-) Gearbox, Motor	1

Fig. 8 - Electric Motor Breakdown, 17363

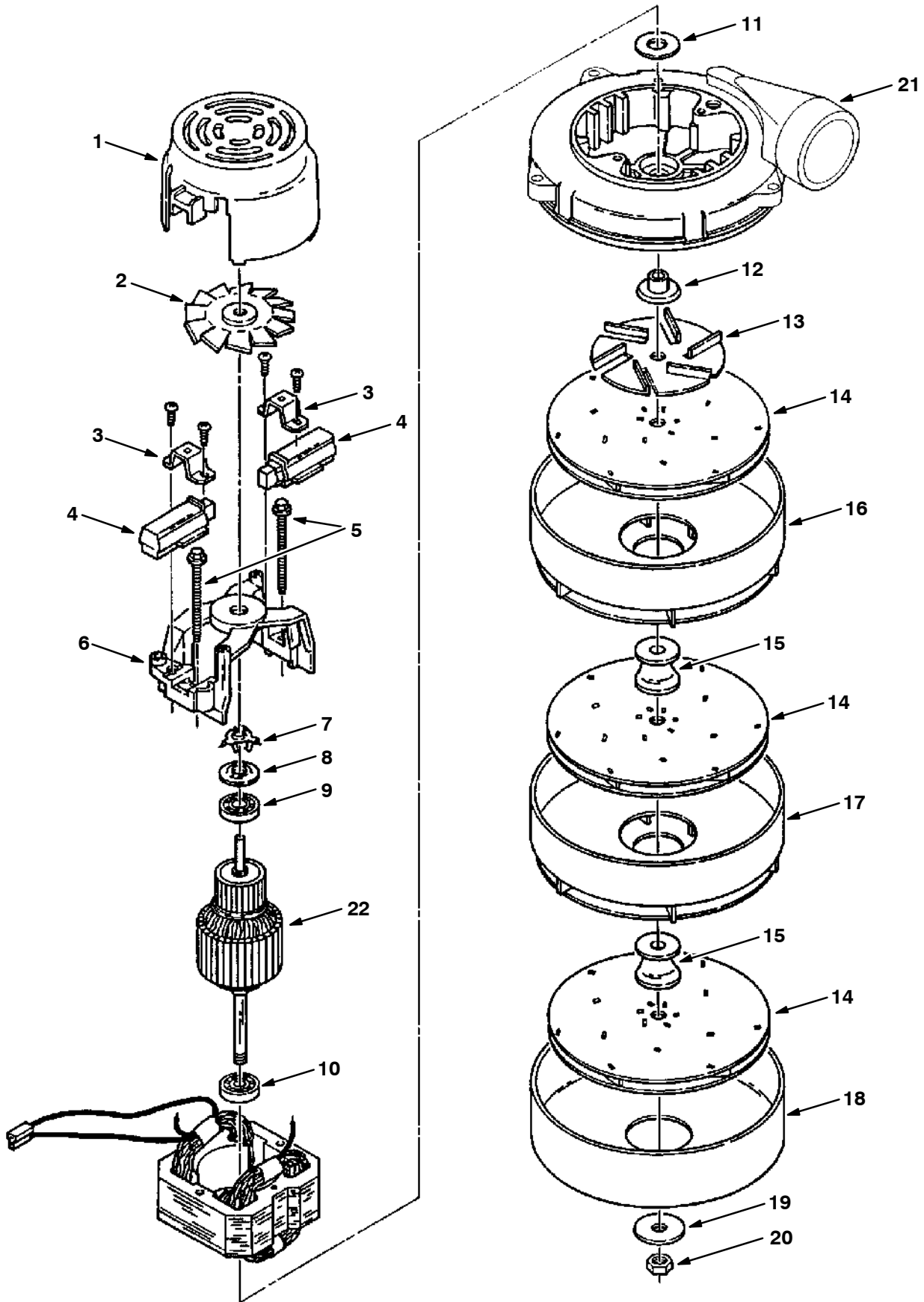


Fig. 8 - Electric Motor Breakdown, 17363

Ref.	Tenant Part No.	Manufacturer Serial Number	Description	Qty.
▽	17363	(000000-) Fan, Vacuum	1
▲	1 37926	(000000-) Housing	1
▲	2 61298	(000000-) Fan	1
▲	3 01982	(000000-) Clamp	2
▲	4 11756	(000000-) Brush Mechanism	2
▲	5 01969	(000000-) Screw	2
▲	6 01983	(000000-) Comm. Bracket	1
▲	7 01856	(000000-) Spring	1
▲	8 37909	(000000-) Disc	1
▲	9 01842	(000000-) Bearing	1
▲	10 01837	(000000-) Bearing	1
▲	11 37912	(000000-) Washer, Neo.	1
▲	12 18627	(000000-) Spacer	1
▲	13 01971	(000000-) Fan	1
▲	14 18628	(000000-) Vacuum Fan	3
▲	15 18630	(000000-) Spacer	2
▲	16 61300	(000000-) Stationary Fan	1
▲	17 61297	(000000-) Stationary Fan	1
▲	18 18631	(000000-) Shell	1
▲	19 378983	(000000-) Washer	1
▲	20 37929	(000000-) Nut	1
▲	21 60386	(000000-) Bracket, Fan End	1
▲	22 21765	(000000-) Armature	1
▲	223264	(000000-) Seal, Fan	1
▲	10925	(000000-) Connector, 2 Conductor	1
▲	10926	(000000-) Terminal, Female	2

Fig. 9 - Electric Motor Breakdown, 398520

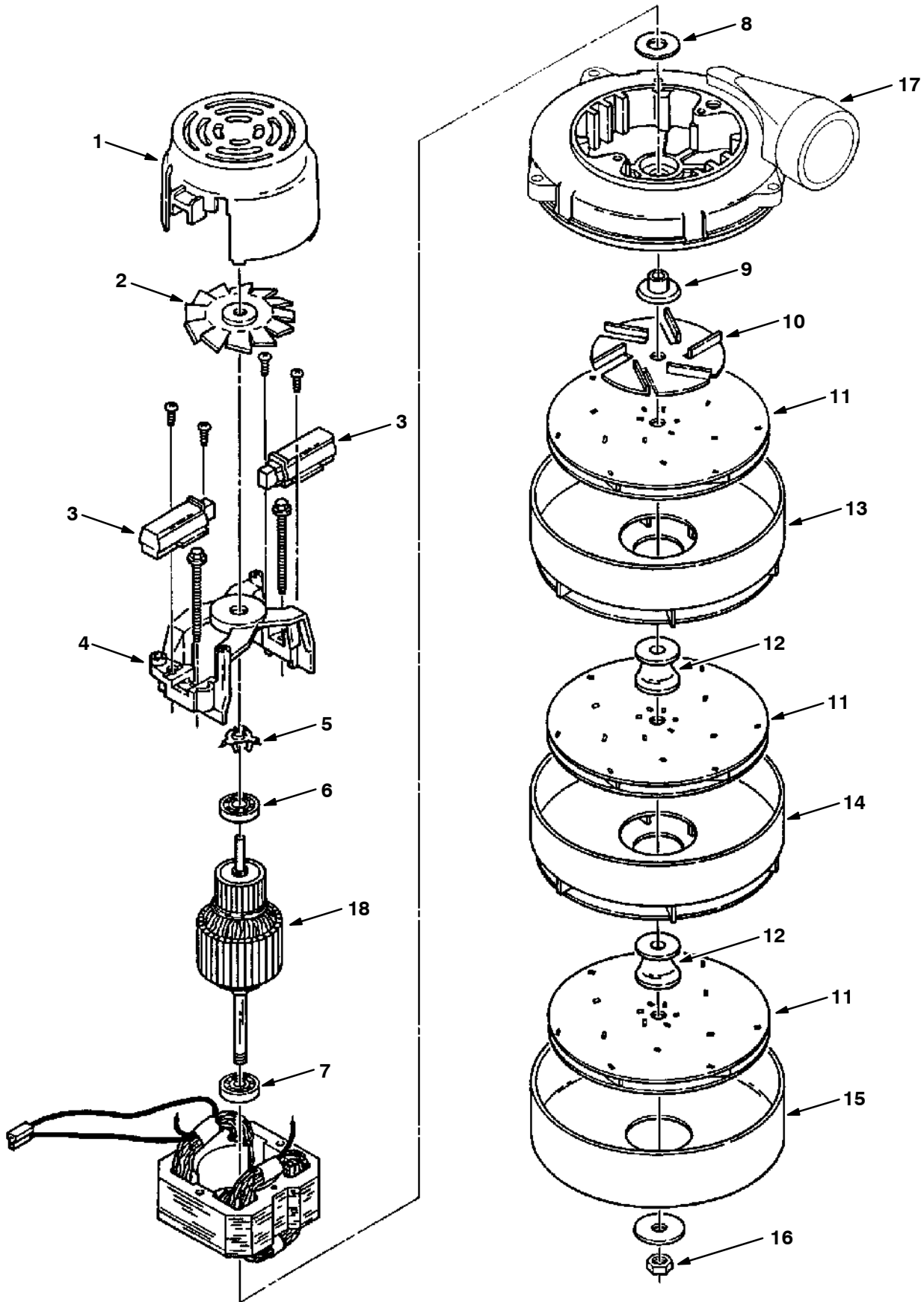
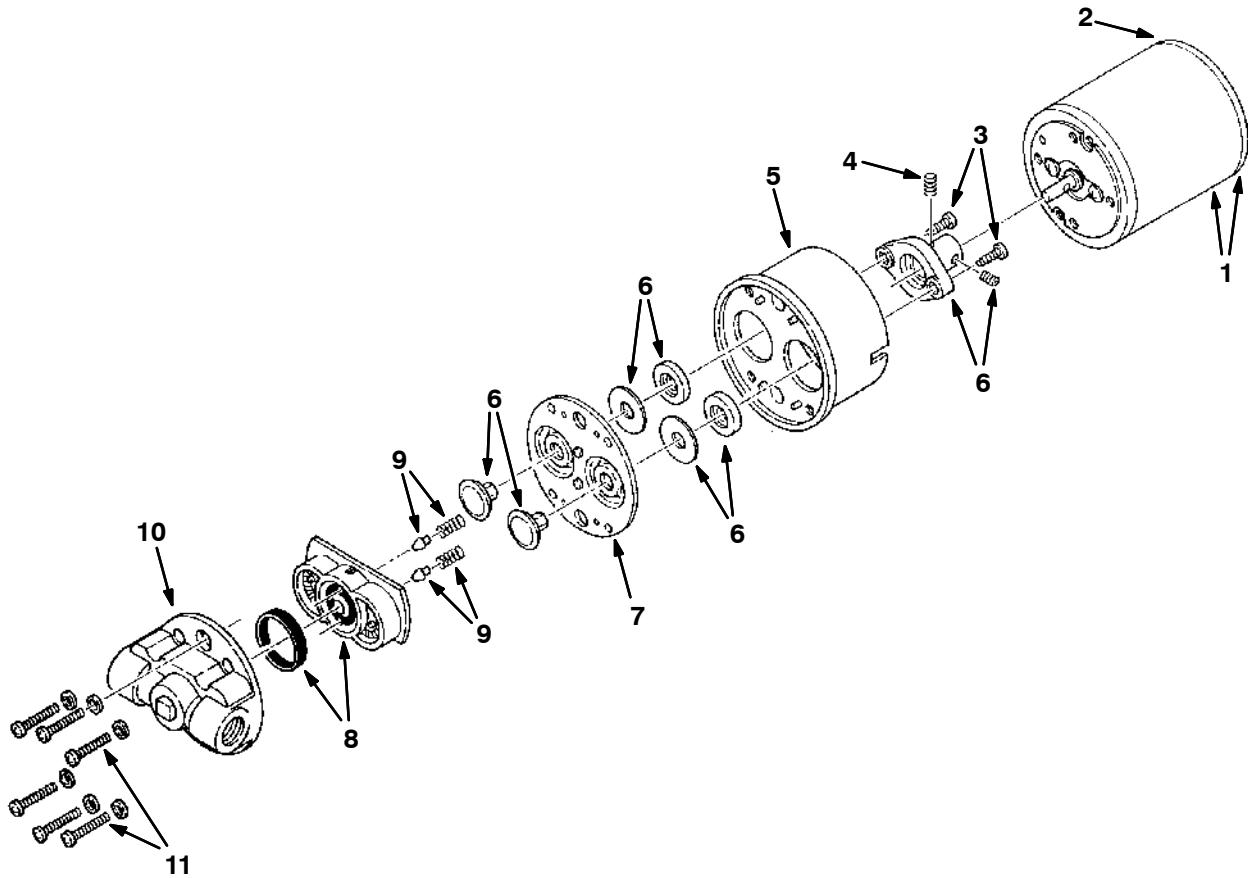


Fig. 9 - Electric Motor Breakdown, 398520

	Ref.	Tennant Part No.	Manufacturer Serial Number	Description	Qty.
▽		398520	(000000-) Fan, Vacuum	1
▲	1	398511	(000000-) Housing	1
▲	2	398512	(000000-) Fan	1
▲	3	398513	(000000-) Brush Mechanism	2
▲	4	398514	(000000-) Comm. Bracket	1
▲	5	01856	(000000-) Spring	1
▲	6	398515	(000000-) Bearing	1
▲	7	01837	(000000-) Bearing	1
▲	8	37912	(000000-) Washer, Neo.	1
▲	9	398516	(000000-) Spacer	1
▲	10	01971	(000000-) Fan	1
▲	11	18628	(000000-) Vacuum Fan	3
▲	12	398517	(000000-) Spacer	2
▲	13	61300	(000000-) Stationary Fan	1
▲	14	61297	(000000-) Stationary Fan	1
▲	15	398518	(000000-) Shell	1
▲	16	37929	(000000-) Nut	1
▲	17	60386	(000000-) Bracket, Fan End	1
▲	18	398219	(000000-) Armature	1
▲		223264	(000000-) Seal, Fan	1
▲		10925	(000000-) Connector, 2 Conductor	1
▲		10926	(000000-) Terminal, Female	2

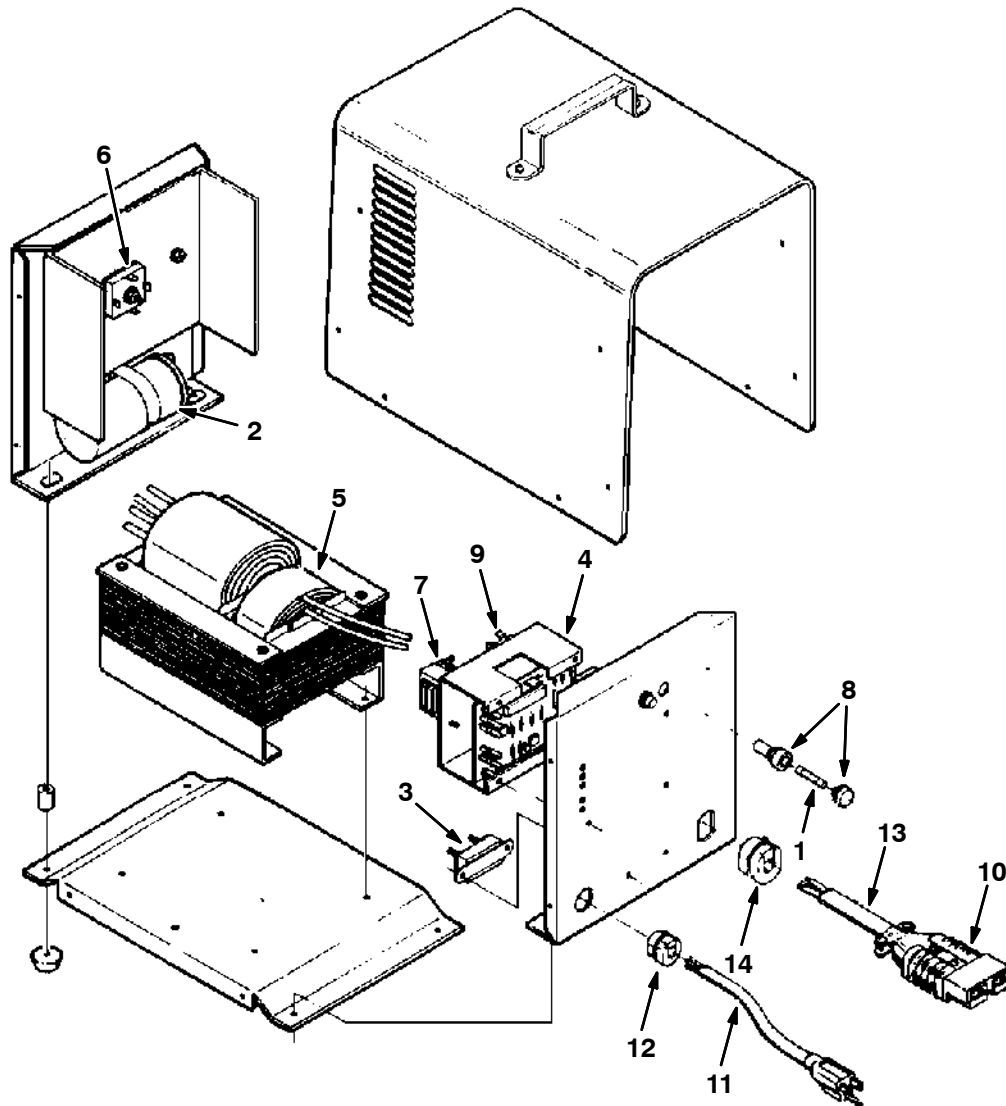
Fig. 10 - Water Pump Breakdown, 222259



10260 - ALL

Ref.	Tennant Part No.	Manufacturer Serial Number	Description	Qty.
▽	222259	(000000-)	Pump Assy, Water 36Vdc	1
▲▽	1 65700	(000000-)	Motor 36V Dc	1
▲▲	2 65701	(000000-)	Brush-Endbell	1
▲▲	65702	(000000-)	Brush Kit	1
▲▽	65710	(000000-)	Pump Head Assembly	1
▲▲	3 65667	(000000-)	Cam/Bearing Scr	2
▲▲	4 65668	(000000-)	Scr-Set Cam Brg	1
▲▲	370924	(000000-)	Cam Brg/Diaph Kit	1
▲▲	5 49901	(000000-)	Bearing Cover	1
▲▲	6 65706	(000000-)	Piston-Inner&Out	1
▲▲	7 65707	(000000-)	Diaphragm Kit	1
▲▲	8 65708	(000000-)	Ck Valve - Buna	1
▲▲	9 65709	(000000-)	Bypass Spgs&Popp	1
▲▲	10 49886	(000000-)	Pump	1
▲▲	11 65675	(000000-)	Pump Screws	6

Fig. 11 - Battery Charger Breakdown, 60 Hz, 115V (235 Ah batteries), 24685

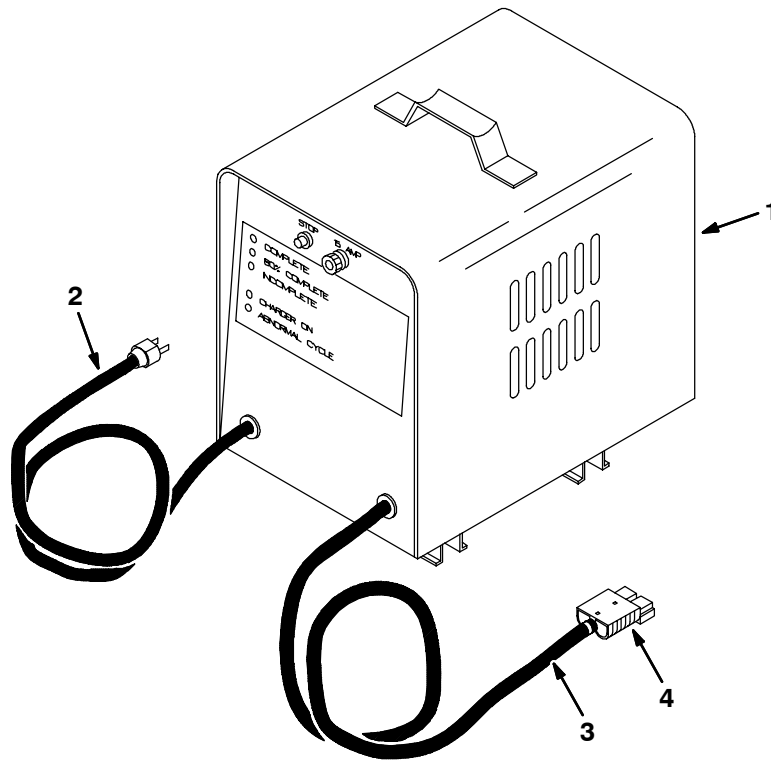


10262 - 5700, EE, XP, XPS, NA

Ref.	Tenant Part No.	Manufacturer Serial Number	Description	Qty.
▽	24685	(000000-)	Charger 36V 20A 60H Ph	1
▲	1	30059 (000000-)	Fuse	1
▲	2	65638 (000000-)	Capacitor	1
▲	3	65954 (000000-)	Circuit Breaker	1
▲	4	65629 (000000-)	Control Circuit	1
▲	5	65621 (000000-)	Power Transformer	1
▲	6	61837 (000000-)	Bridge Rectifier Kit	1
▲	7	65626 (000000-)	Control Circuit Tx2	1
▲	8	30058 (000000-)	Holder, Fuse Ac	1
▲	9	49811 (000000-)	Triac, Charger	1
▲	10	24881 (000000-)	Connector, Grey, SB50	1
▲	11	21769 (000000-)	A.C.Cord Set W/Plug	1
▲	12	21775 (000000-)	A.C.Strain Relief	1
▲	13	21772 (000000-)	D.C.Cord Set Wo/Plug	1
▲	14	21776 (000000-)	D.C.Strain Relief	1

BREAKDOWNS

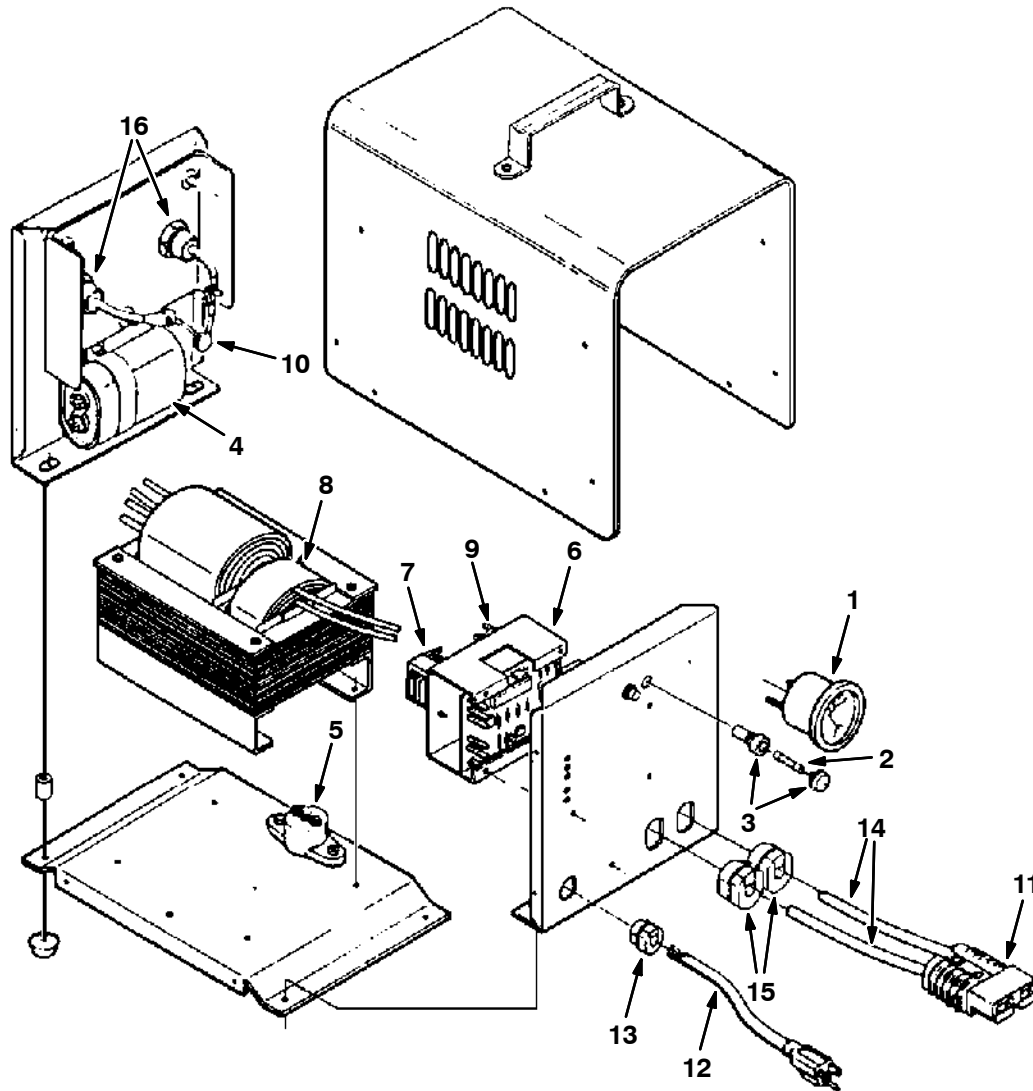
Fig. 12 - Battery Charger Breakdown, 60 Hz, 115V (235 Ah batteries), 374014



08080 - 5700, EE, XP, XPS, NA

Ref.	Tennant Part No.	Manufacturer Serial Number	Description	Qty.
▽ 1	374014	(000000-)	Charger 36V/20A/60Hz/1Ph/115V	1
▲ 2	374020	(000000-)	Cord Assy A.C.	1
▲ 3	374019	(000000-)	Cord Assy D.C.	1
▲ 4	24881	(000000-)	Connector, Grey, SB50	1
▲	374017	(000000-)	Circuit Breaker 15A	1
▲	65954	(000000-)	Circuit Breaker	1
▲	374018	(000000-)	Control Circuit	1
▲	374021	(000000-)	Rectifier Assy	2
▲	374022	(000000-)	Rectifier Scr 20A	2
▲	21776	(000000-)	D.C.Strain Relief	1
▲	21775	(000000-)	A.C.Strain Relief	1
▲	374023	(000000-)	Switch, Red Stop	1
▲	65630	(000000-)	Varistor	1

Fig. 13 - Battery Charger Breakdown, 60 Hz, 115V (305 Ah batteries), 222594

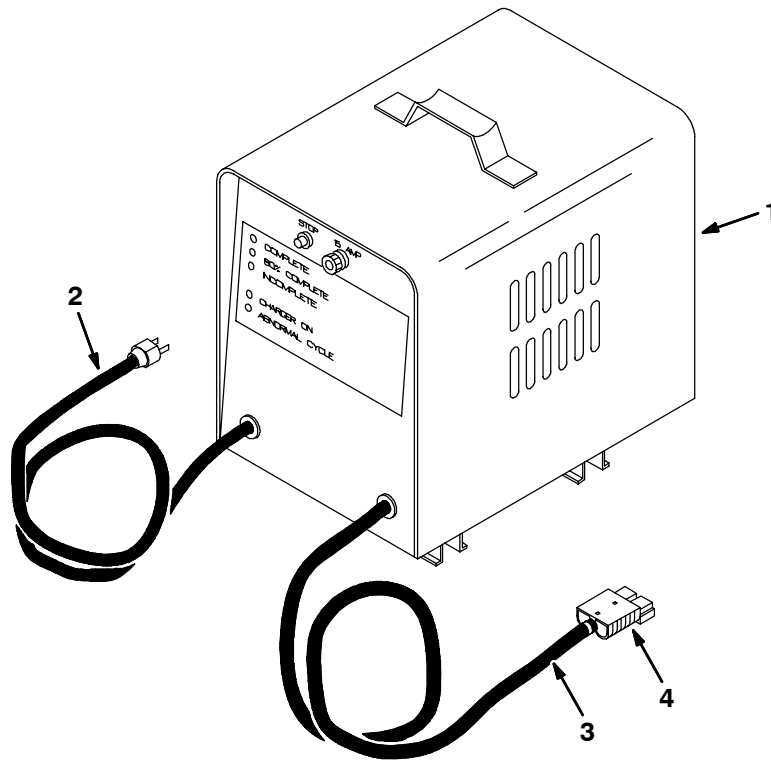


10263 - 5700, XP, XPS, NA

Ref.	Tennant Part No.	Manufacturer Serial Number	Description	Qty.	
▽	222594	(000000-) Charger, 36V/30A 60H/1Ph 115V	1	
▲	1	38889	(000000-) Ammeter	1
▲	2	30059	(000000-) Fuse	1
▲	3	30058	(000000-) Holder, Fuse Ac	1
▲	4	65613	(000000-) Condensior 12.5Mfd	1
▲	5	65619	(000000-) Circuit Breaker	1
▲	6	65629	(000000-) Control Circuit	1
▲	7	65626	(000000-) Control Circuit Tx2	1
▲	8	65628	(000000-) Power Transformer	1
▲	9	49811	(000000-) Triac, Charger	1
▲	10	65630	(000000-) Varistor	1
▲	11	24881	(000000-) Connector, Grey, SB50	1
▲	12	21771	(000000-) A.C.Cordset W/Plug	1
▲	13	21775	(000000-) A.C.Strain Relief	1
▲	14	21773	(000000-) D.C.Cordset W/Plug	1
▲	15	21776	(000000-) D.C.Strain Relief	2
▲	16	65616	(000000-) Diode	2

BREAKDOWNS

Fig. 14 - Battery Charger Breakdown, 60 Hz, 115V (305 Ah batteries), 374015

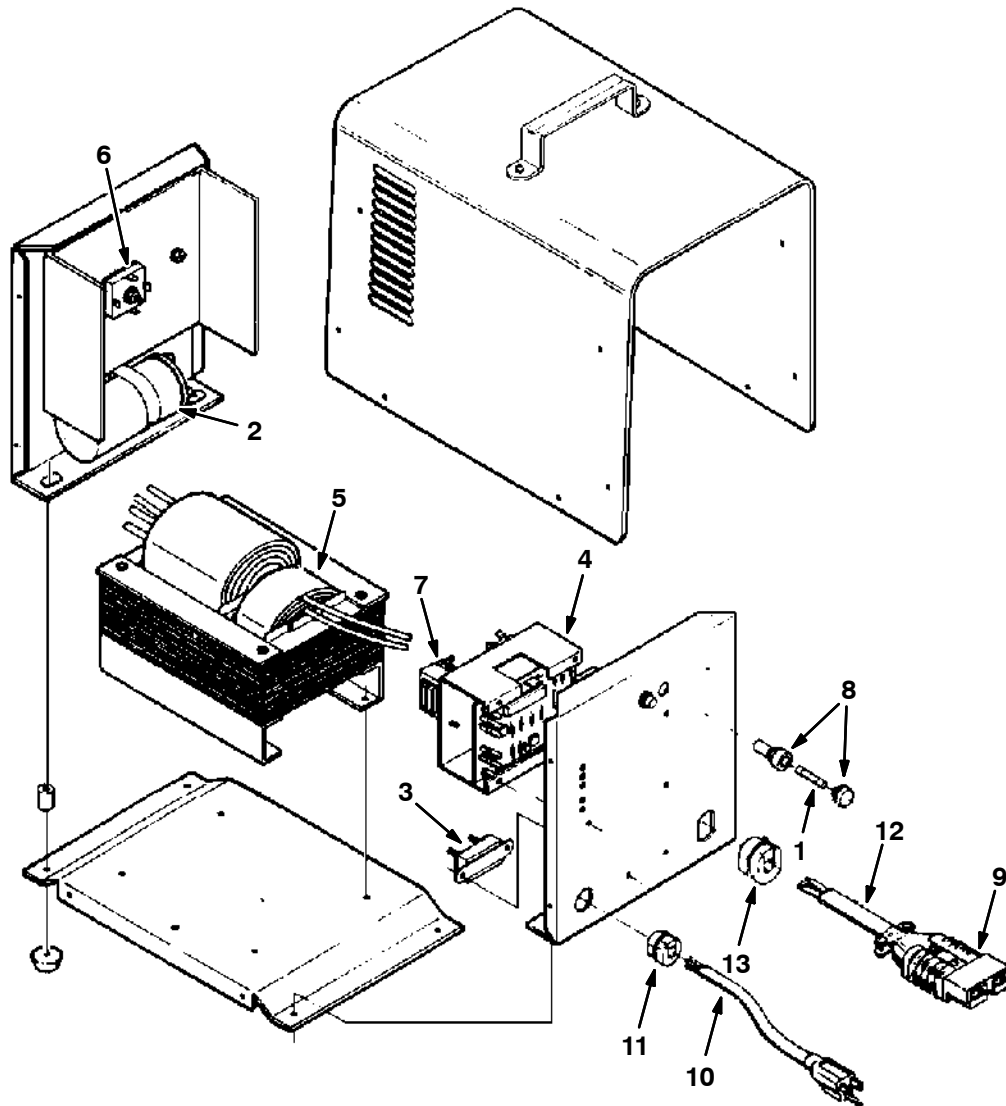


388539

08080 - 5700, XP, XPS, NA

Ref.	Tennant Part No.	Manufacturer Serial Number	Description	Qty.
▽ 1	374015	(000000-)	Charger 36V/30A/60Hz/1Ph/115V	1
▲ 2	374028	(000000-)	Cord Assy A.C.	1
▲ 3	374019	(000000-)	Cord Assy D.C.	1
▲ 4	24881	(000000-)	Connector, Grey, SB50	1
▲	374025	(000000-)	Circuit Breaker 20A/AC	1
▲	374026	(000000-)	Fuse, D.C. 80Amp	1
▲	374027	(000000-)	Control Circuit 36V/30A	1
▲	374029	(000000-)	Rectifier Assy	2
▲	374030	(000000-)	Rectifier Scr 35A	2
▲	21776	(000000-)	D.C.Strain Relief	1
▲	21775	(000000-)	A.C.Strain Relief	1
▲	374023	(000000-)	Switch, Red Stop	1
▲	65630	(000000-)	Varistor	1

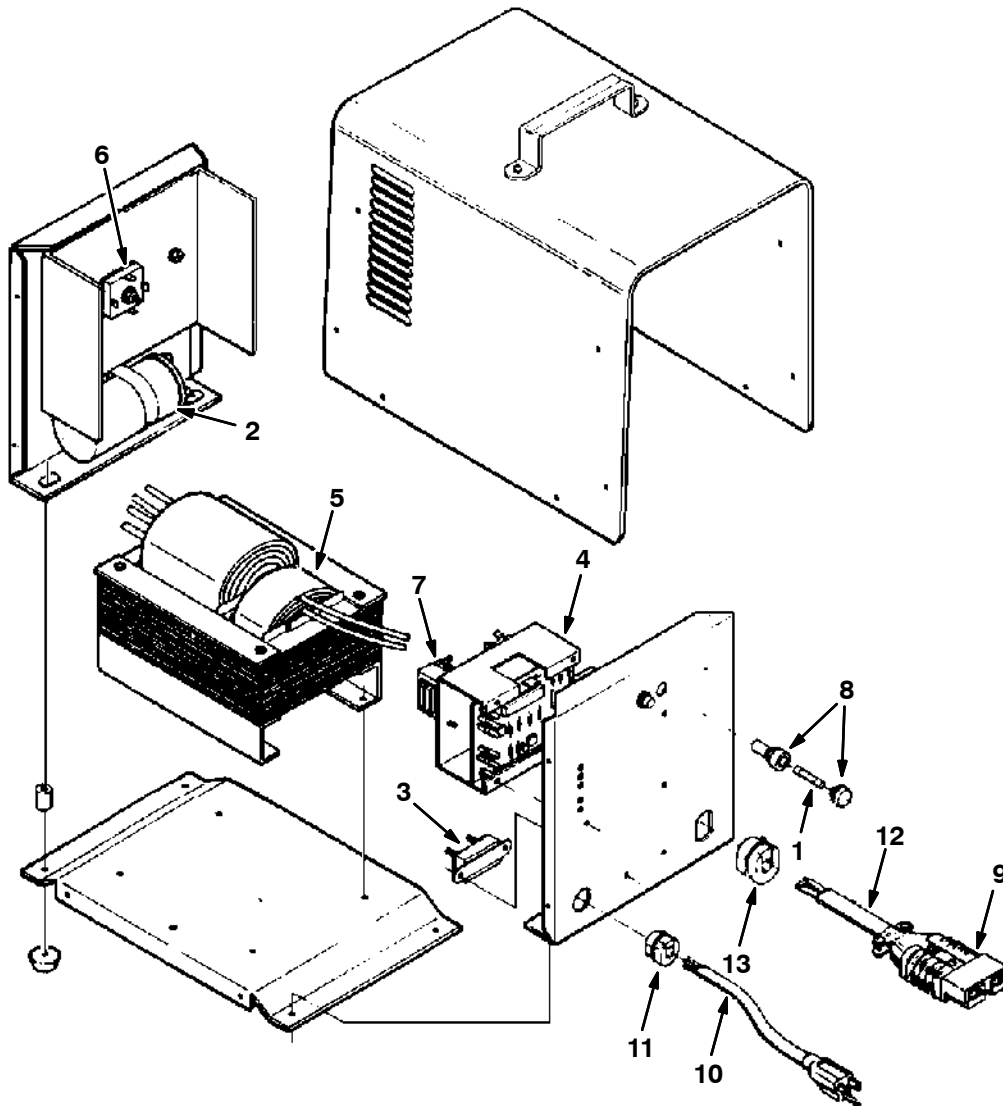
Fig. 15 - Battery Charger Breakdown, 50 Hz, 230V (235 Ah batteries), 65540



10262 - 5700, EE, XP, XPS, NA

Ref.	Tennant Part No.	Manufacturer Serial Number	Description	Qty.
▽	65540	(000000-)	Charger, 36V/20A 50H/ Ph 230V	1
▲	1 65632	(000000-)	Fuse, A.C. 10 Amp	1
▲	2 65958	(000000-)	Condenser	1
▲	3 65954	(000000-)	Circuit Breaker	1
▲	4 65620	(000000-)	Control Assy	1
▲	5 65634	(000000-)	Transformer, Power	1
▲	6 61837	(000000-)	Bridge Rectifier Kit	1
▲	7 65959	(000000-)	Control Transformer	1
▲	8 30058	(000000-)	Holder, Fuse Ac	1
▲	9 24881	(000000-)	Connector, Grey, SB50	1
▲	10 21770	(000000-)	A.C.Cord Set W/Plug	1
▲	11 21775	(000000-)	A.C.Strain Relief	1
▲	12 21772	(000000-)	D.C.Cord Set Wo/Plug	1
▲	13 21776	(000000-)	D.C.Strain Relief	1

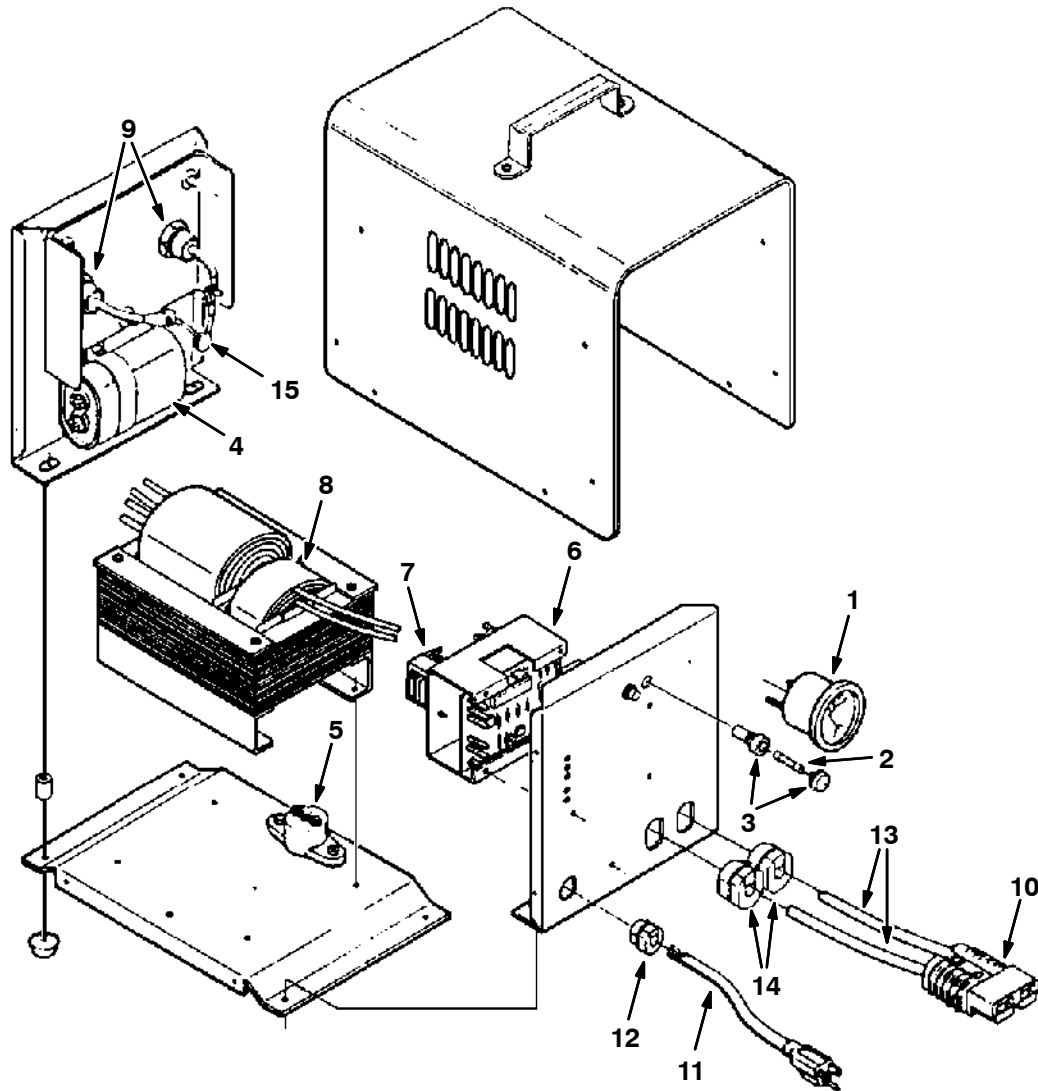
Fig. 16 - Battery Charger Breakdown, 50 Hz, 245V (235 Ah batteries), 65740



10262 - 5700, XP, XPS, NA

Ref.	Tennant Part No.	Manufacturer Serial Number	Description	Qty.
▽	65740	(000000-)	Charger, 36V/20A 50H/1Ph 245V	1
▲	1 65632	(000000-)	Fuse, A.C. 10 Amp	1
▲	2 65958	(000000-)	Condenser	1
▲	3 65954	(000000-)	Circuit Breaker	1
▲	4 65620	(000000-)	Control Assy	1
▲	5 65724	(000000-)	Power Tran	1
▲	6 61837	(000000-)	Bridge Rectifier Kit	1
▲	7 65959	(000000-)	Control Transformer	1
▲	8 30058	(000000-)	Holder, Fuse Ac	1
▲	9 24881	(000000-)	Connector, Grey, SB50	1
▲	10 21770	(000000-)	A.C. Cord Set W/Plug	1
▲	11 21775	(000000-)	A.C. Strain Relief	1
▲	12 21772	(000000-)	D.C. Cord Set Wo/Plug	1
▲	13 21776	(000000-)	D.C. Strain Relief	1

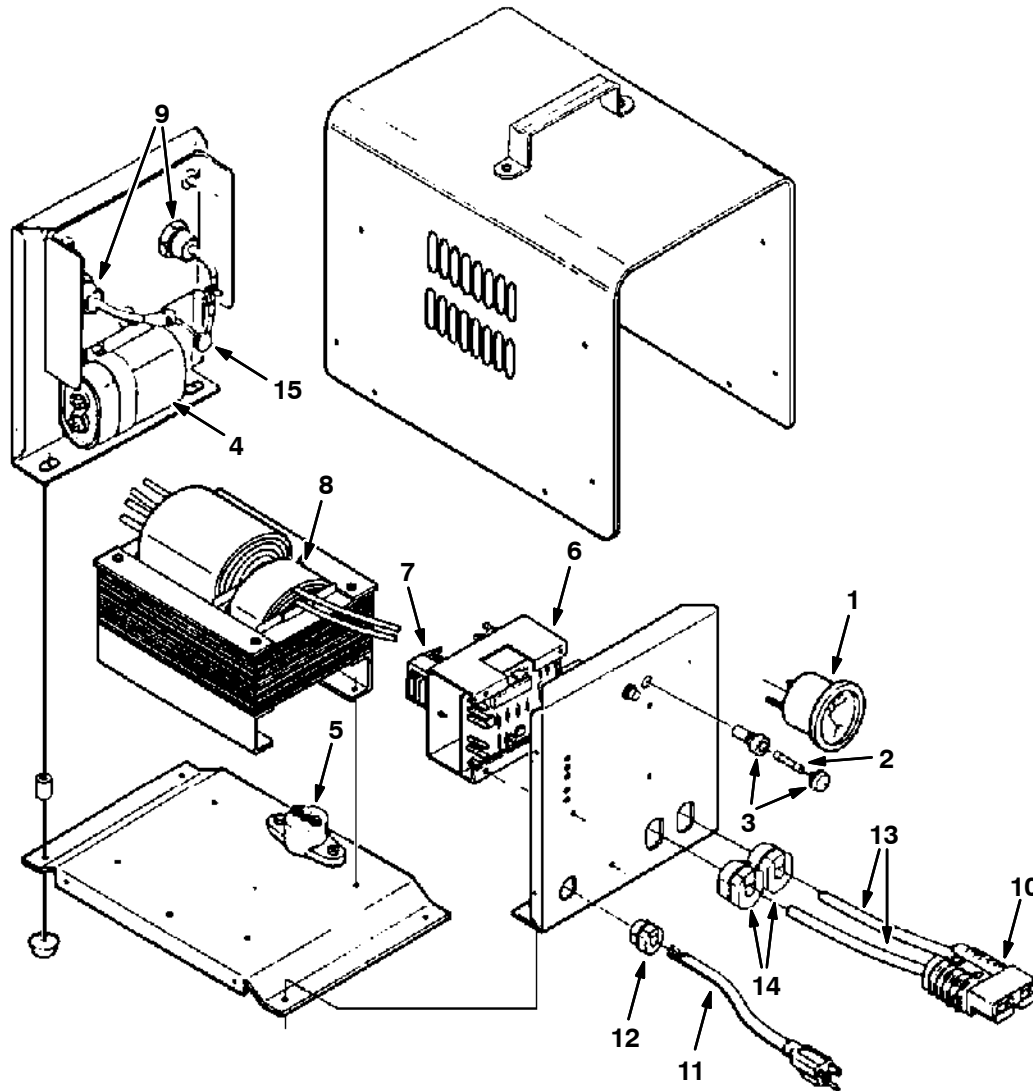
Fig. 17 - Battery Charger Breakdown, 50 Hz (305 Ah batteries), 222595



10263 - 5700, XP, XPS, NA

Ref.	Tennant Part No.	Manufacturer Serial Number	Description	Qty.	
▽	222595	(000000-) Charger, 36V/30A 50H/1Ph 230V	1	
▲	1	38889	(000000-) Ammeter	1
▲	2	65614	(000000-) Fuse, A.C. 15 Amp	1
▲	3	30058	(000000-) Holder, Fuse Ac	1
▲	4	65613	(000000-) Condensior 12.5Mfd	1
▲	5	65619	(000000-) Circuit Breaker	1
▲	6	65620	(000000-) Control Assy	1
▲	7	65959	(000000-) Control Transformer	1
▲	8	65618	(000000-) Power Transformer	1
▲	9	65616	(000000-) Diode	2
▲	10	24881	(000000-) Connector, Grey, SB50	1
▲	11	21770	(000000-) A.C.Cordset W/Plug	1
▲	12	21775	(000000-) A.C.Strain Relief	1
▲	13	21773	(000000-) D.C.Cordset W/Plug	1
▲	14	21776	(000000-) D.C.Strain Relief	2
▲	15	65630	(000000-) Varistor	1

Fig. 18 - Battery Charger Breakdown, 50 Hz (305 Ah batteries), 222691



10263 - 5700, XP, XPS, NA

Ref.	Tennant Part No.	Manufacturer Serial Number	Description	Qty.
▽	222691	(000000-)	Charger, 36V/30A 50H/1Ph 245V	1
▲	1	38889 (000000-)	Ammeter	1
▲	2	65614 (000000-)	Fuse, A.C. 15 Amp	1
▲	3	30058 (000000-)	Holder, Fuse Ac	1
▲	4	65726 (000000-)	Capasitor 15Mfd	1
▲	5	65619 (000000-)	Circuit Breaker	1
▲	6	65620 (000000-)	Control Assy	1
▲	7	65959 (000000-)	Control Transformer	1
▲	8	65727 (000000-)	Power Transformer	1
▲	9	65616 (000000-)	Diode	2
▲	10	24881 (000000-)	Connector, Grey, SB50	1
▲	11	21770 (000000-)	A.C.Cordset W/Plug	1
▲	12	21775 (000000-)	A.C.Strain Relief	1
▲	13	21773 (000000-)	D.C.Cordset W/Plug	1
▲	14	21776 (000000-)	D.C.Strain Relief	2
▲	15	65630 (000000-)	Varistor	1

SECTION 5

CONTENTS	PAGE
PART NUMBER TO PAGE NUMBER CROSS REFERENCE LIST	5-2
PART DESCRIPTION TO PAGE NUMBER CROSS REFERENCE LIST	5-7

CROSS REFERENCE

PART NUMBER TO PAGE NUMBER CROSS REFERENCE LIST

Part Number	Page Number	Part Number	Page Number	Part Number	Page Number
MM402	3-30	07788	3-12	15678	2-25, 2-29, 2-33, 2-49,
MM402ES	3-30	07810	2-25, 2-29, 2-33		2-57
MM402FR	3-30	08178	2-61	17188	3-3
MM402JP	3-30	08179	2-59, 3-12	17363	2-41, 3-15, 4-11
MM406	3-30	08346	2-17, 2-19, 2-21, 2-23,	17461	2-59
00926	2-17, 2-19, 4-8		2-27, 2-31, 2-35	18626	4-8
00928	4-6, 4-9	08712	2-57	18627	4-11
00954	4-5, 4-7	08713	2-11, 2-15, 2-17, 2-19,	18628	4-11, 4-13
01314	2-55		2-21, 2-23, 2-25, 2-27,	18630	4-11
01316	2-37, 3-27		2-29, 2-31, 2-33, 2-35,	18631	4-11
01335	3-18		2-37, 2-43, 2-57, 2-59,	19783	2-5, 2-7, 2-9
01516	2-25, 2-29, 2-33		2-61, 2-63, 2-65, 2-67,	20536-2	4-5, 4-7
01684	2-25, 2-27, 2-29, 2-31,		2-69, 3-4, 3-11, 3-12,	21556	3-30
	2-33, 2-35, 2-49, 2-57		3-15	21557	3-30
01685	2-11, 2-15, 2-17, 2-19,	09007	2-17, 2-19, 2-27, 2-31,	21765	4-11
	2-21, 2-23, 2-25, 2-27,		2-35	21769	4-15
	2-29, 2-31, 2-33, 2-35,	09010	2-11, 2-51, 2-53, 2-59,	21770	4-19, 4-20, 4-21, 4-22
	2-37, 2-39, 2-41, 2-43,		3-12, 3-15	21771	4-17
	2-55, 2-57, 2-59, 2-61,	09011	2-11, 2-21, 2-23, 2-43,	21772	4-15, 4-19, 4-20
	2-63, 2-65, 2-67, 2-69,		3-4, 3-11, 3-12	21773	4-17, 4-21, 4-22
	3-4, 3-9, 3-11, 3-12,	09023	2-27, 2-31, 2-35	21775	4-15, 4-16, 4-17, 4-18,
	3-15	09026	2-11, 2-61		4-19, 4-20, 4-21, 4-22
01686	2-17, 2-19, 2-21, 2-23,	09120	2-63	21776	4-15, 4-16, 4-17, 4-18,
	2-61	09198	2-5, 2-7, 2-9		4-19, 4-20, 4-21, 4-22
01698	2-17, 2-19	09740	2-15, 2-17, 2-19, 2-25,	222012	2-17
01837	4-11, 4-13		2-29, 2-33, 2-37, 2-39,	222013	2-19
01842	4-11		2-41, 2-43, 2-55, 2-59	222014	2-21
01856	4-11, 4-13	09767	2-63, 2-65, 2-67, 2-69	222022	2-23
01969	4-11	10632-13	2-55	222027	2-15
01971	4-11, 4-13	10632-17	2-49	222028	2-15, 3-12
01982	4-11	10925	4-4, 4-5, 4-6, 4-7,	222034	2-15
01983	4-11		4-11, 4-13	222035	2-11
02076	2-46	10926	4-11, 4-13	222036	2-11
02942	2-15, 2-17, 2-19, 2-21,	10962	2-51, 2-53	222038	2-11, 4-3
	2-23, 2-27, 2-31, 2-35,	11109	2-13	222039	2-11
	2-59, 2-61	11117	4-3	222042	2-49
02991	2-17, 2-19	11218	2-5, 2-7, 2-9	222046	2-49
02993	2-21, 2-23	11329	2-57	222051	2-15
04400	2-37, 3-27	11399	2-37	222053	2-21, 2-23
04657	2-13, 3-22	11635	2-49	222054	2-15
04658	2-13, 3-22	11636	3-18	222055	2-17, 2-19, 2-21, 2-23,
04743	3-12	11756	4-11		2-27, 2-31, 2-35
04843	2-11, 2-59, 3-12	11771	2-9	222056	2-17, 2-19, 2-21, 2-23,
04928	2-49	11772	2-9		2-27, 2-31, 2-35
05134	3-3	11773	2-9	222062	2-25, 2-29, 2-33
05280	2-51, 2-53	11776	2-9	222066	2-3, 2-63, 2-65, 2-67,
05283	2-61	11777	2-9		2-69
05579	3-4	11778	2-9	222067	2-21, 2-23
05584	3-4	11780	2-9	222075	2-49
05594	3-4	11781	2-9	222076	2-49
05720	2-17, 2-19, 2-21, 2-23,	12273	2-11	222077	2-49
	2-27, 2-31, 2-35	12333	2-11, 2-39	222079	2-49
05724	2-7	12694	3-5, 3-26	222081	2-49
05726	2-7	14432	2-37	222083	2-49
06549	2-53	14838	2-5, 2-7, 2-9	222085	2-11
06934	2-53	150208	3-7	222090	2-43
06942	2-25, 2-29, 2-33	15539	2-5, 2-7, 2-9	222097	2-43
07786	2-61	15675	2-37, 2-41, 2-43	222098	2-11

CROSS REFERENCE

Part Number	Page Number	Part Number	Page Number	Part Number	Page Number
222099	2-15	222233	2-61	222368	2-65
222101	2-51, 2-53	222234	2-61	222372	2-11, 4-3, 4-4
222102	2-51, 2-53	222235	2-61	222374	3-3, 3-9
222103	2-51, 2-53	222236	2-61	222375	3-9
222104	2-55	222239	2-61	222376	3-9
222114	2-51, 2-53	222240	2-67	222378	2-65
222115	2-51, 2-53	222241	2-3, 2-67	222381	2-3, 2-65
222117	3-9	222242	2-3, 2-67	222382	2-3, 2-65
222120	2-39	222243	2-67	222383	2-37
222121	2-39	222244	2-63, 2-65, 2-67, 2-69	222384	2-3, 2-67
222122	2-41	222245	2-63, 2-65, 2-67, 2-69	222385	2-3, 2-65
222124	3-15	222248	2-61	222386	2-3, 2-67
222127	3-15	222249	2-59	222387	2-3, 2-65
222129	3-15	222250	2-59	222388	2-3, 2-67
222130	2-63, 2-65, 2-67, 2-69	222251	2-59	222389	2-3, 2-65
222131	2-65	222252	2-59	222391	2-3, 2-65
222134	2-67	222255	2-21, 2-23, 4-9	222392	2-3, 2-67
222138	2-57	222258	3-9	222399	2-61
222139	2-57	222259	3-3, 4-14	222400	2-57
222151	2-37	222260	2-63, 2-65, 2-67, 2-69	222402	2-57
222153	2-61	222266	2-55	222403	2-3, 2-17, 2-19, 2-21, 2-23
222158	2-49	222267	2-53		
222167	2-27	222268	2-49, 2-63, 2-65, 2-67, 2-69	222404	2-17, 2-19, 2-21, 2-23
222173	2-25, 2-29, 2-33			222405	2-17, 2-19, 2-21, 2-23
222174	2-25, 2-29, 2-33	222277	2-61	222406	2-39
222175	2-25, 2-29, 2-33	222280	2-46	222412	2-69
222176	2-25, 2-29, 2-33	222282	2-51, 2-53	222413	2-3, 2-69
222177	2-25, 2-29, 2-33	222283	3-15	222414	2-3, 2-69
222178	2-3, 2-27, 2-31, 2-35	222290	2-74	222415	2-3, 2-69
222179	2-27, 2-31, 2-35	222292	2-74	222416	2-3, 2-69
222180	2-3, 2-25, 2-29, 2-33	222293	2-74	222417	2-69
222182	2-25, 2-29, 2-33	222294	2-55	222422	2-3, 2-65
222184	2-25, 2-29, 2-33	222296	2-51	222423	2-3, 2-67
222185	2-43	222297	2-51	222424	2-3, 2-69
222186	2-43	222299	2-21, 2-23	222428	2-3, 2-65
222188	2-43	222304	2-5	222429	2-3, 2-67
222190	2-43	222305	2-5	222430	2-3, 2-17
222194	2-37	222306	2-5	222431	2-3, 2-19, 2-23
222196	2-27, 2-31, 2-35	222307	2-7	222432	2-3, 2-21
222197	2-17, 2-19, 2-21, 2-23, 2-27, 2-31, 2-35	222308	2-7	222433	2-3, 2-69
		222309	2-7	222434	2-3, 2-69
222201	2-25, 2-29, 2-33	222310	2-9	222435	2-3, 2-69
222203	2-27	222311	2-9	222439	3-3
222204	2-31	222312	2-9	222440	2-17, 2-19
222205	2-35	222320	2-5	222448	2-57
222207	2-17, 2-19, 2-21, 2-23, 2-27, 2-31, 2-35	222321	2-5	222449	3-3
		222322	2-5	222450	2-55
222209	2-25, 2-29, 2-33	222323	2-5	222451	3-3
222210	2-15	222324	2-5	222458	3-19
222211	2-49	222325	2-5	222460	2-39, 2-57
222217	2-46	222326	2-5	222462	2-39
222218	2-46	222327	2-5	222463	2-39, 2-43
222219	2-15	222349	3-4	222464	2-49
222221	2-17	222354	3-19	222465	2-49
222222	2-19, 2-23	222355	3-15	222466	2-43
222223	2-21	222361	2-37	222467	2-11
222225	2-51, 2-53	222363	2-17, 2-19, 2-21, 2-23, 2-27, 2-31, 2-35	222468	2-61
222227	2-57			222469	2-11
222230	2-61	222366	3-11	222470	2-37
222231	2-61	222367	3-11	222472	2-55

CROSS REFERENCE

Part Number	Page Number	Part Number	Page Number	Part Number	Page Number
222473	2-46, 3-23	222626	4-4	222764	2-51, 2-53
222474	2-46	222627	4-5, 4-7	222768	3-17
222475	3-17	222628	4-4	222773	2-55
222476	3-17	222629	4-5, 4-7	222777	3-23
222477	3-17	222630	4-4	222778	2-46
222478	3-17	222631	4-4	222785	2-49
222479	3-17	222632	4-4	222786	2-49
222486	2-61	222633	4-4	222788	2-37
222488	2-15	222634	4-4	222791	2-25, 2-29, 2-33
222490	2-17, 2-19, 4-6	222635	4-5, 4-7	222793	2-37
222493	2-55	222637	4-5, 4-7	222794	2-63, 2-65, 2-67, 2-69
222495	2-55	222638	4-5	222796	3-17
222496	2-17, 2-19, 2-21, 2-23, 2-65, 2-67, 2-69	222639	2-51, 2-53	222799	2-57
222497	2-63, 2-65, 2-67, 2-69	222640	4-3	222800	2-11
222501	2-49	222641	4-3	222801	2-51
222504	2-15	222647	2-57	222806	2-17, 2-19, 4-8
222505	2-11, 2-61	222648	2-49	222808	3-25
222506	2-17, 2-19, 2-21, 2-23	222649	4-9	222810	3-9
222510	2-46	222651	2-59, 3-12	222811	3-9
222511	2-3, 2-25, 2-29, 2-33	222656	4-3	222812	2-43, 3-9
222516	2-39	222657	4-3	222818	2-25, 2-29, 2-33
222517	2-37	222658	4-3	222819	3-25
222523	2-27, 2-31, 2-35	222659	4-3	222820	2-25, 2-29, 2-33
222527	2-39	222660	4-3	222822	2-37, 3-3
222529	2-39	222661	4-3	222824	2-27
222533	2-75	222663	3-17	222825	2-31
222534	2-51, 2-53	222664	3-13	222826	2-35
222535	2-17, 2-19, 2-21, 2-23	222665	2-57	222827	2-37, 3-3
222536	2-17, 2-19, 2-21, 2-23, 2-27, 2-31, 2-35	222666	2-74	222829	2-49
222538	2-55	222667	2-37	222834	2-51, 2-53
222539	2-59	222669	2-27, 2-31, 2-35	222835	2-27, 2-31, 2-35
222546	3-12	222670	2-27, 2-31, 2-35	222836	2-17, 2-19
222547	3-12	222673	2-49	222837	2-21, 2-23
222552	3-12	222675	2-49	222838	2-17, 2-19, 2-21, 2-23, 2-27, 2-31, 2-35
222555	3-12	222678	2-75	222845	3-27
222556	3-12	222679	2-51	222846	3-23
222558	3-12	222682	2-46	222850	2-25, 2-29, 2-33
222560	3-12	222683	2-51, 2-53	222852	3-23
222578	2-75	222684	2-51, 2-53	222856	2-74
222584	2-59	222685	2-51, 2-53	222863	2-25, 2-29, 2-33
222590	2-39	222689	2-39	222867	2-57
222593	3-12	222691	3-24, 4-22	222868	2-57
222594	3-24, 4-17	222705	3-9	222877	4-5, 4-7
222595	3-24, 4-21	222711	2-3	222878	3-30
222599	4-3	222712	2-39	222879	2-51, 2-53
222600	3-12	222713	2-39	223264	2-41, 3-15, 4-11, 4-13
222604	3-3	222716	2-39	223400	2-35
222606	4-6, 4-9	222727	2-55	223560	2-25, 2-29, 2-33
222607	2-49	222728	2-43, 3-9	223561	2-25, 2-29, 2-33
222616	4-6	222730	2-74	223563	2-25, 2-29, 2-33
222617	4-6, 4-9	222740	2-49	223564	2-25, 2-29, 2-33
222618	4-9	222742	2-43, 3-9	223566	2-25, 2-29, 2-33
222619	4-6	222747	2-51, 2-53	223568	2-3, 2-25, 2-29, 2-33
222620	4-9	222750	3-9	223569	2-25, 2-29, 2-33
222621	4-4	222751	2-25, 2-29, 2-33	223571	2-27
222623	4-5	222752	2-25, 2-29, 2-33	223573	2-31
222624	4-4	222753	2-25, 2-29, 2-33, 4-5	223575	2-35
222625	4-5, 4-7	222756	2-55	223641	3-23
		222760	2-51, 2-53	23683	2-59
		222761	2-49		

CROSS REFERENCE

Part Number	Page Number	Part Number	Page Number	Part Number	Page Number
24299	2-5, 2-7, 2-9	374017	4-16	374111	2-37
24537	4-4, 4-5, 4-6, 4-7	374018	4-16	374132	2-43
24685	3-24, 4-15	374019	4-16, 4-18	374175	2-25, 2-29, 2-33, 4-7
24881	2-46, 4-15, 4-16, 4-17, 4-18, 4-19, 4-20, 4-21, 4-22	374020	4-16	374745	2-57
26315	2-59	374021	4-16	374752	2-43
27974	2-49	374022	4-16	374753	2-43
28862	3-12	374023	4-16, 4-18	375056	4-3
29558	2-15	374025	4-18	375091	2-55
30013	2-37, 2-39, 2-49, 2-51, 2-53	374026	4-18	375176	4-7
30058	4-15, 4-17, 4-19, 4-20, 4-21, 4-22	374027	4-18	375177	4-7
30059	4-15, 4-17	374028	4-18	375178	4-7
30216	2-7	374029	4-18	375179	4-7
30241	2-7	374030	4-18	375195	2-25, 2-29, 2-33
30324	2-37	374031	2-63	37637	4-8
30327	3-17	374033	2-63	37638	4-8
30406	2-11, 2-17, 2-19, 2-21, 2-23	374034	2-63	37643	4-8
30407	2-15	374035	2-63	378726	3-26
32486	2-17, 2-19, 2-21, 2-23, 2-27, 2-31, 2-35, 2-65, 2-67, 2-69	374036	2-63	378728	3-26
32515	2-43	374037	2-63	378729	3-26
32662	2-11	374039	2-63	378983	4-11
32713	2-17, 2-19, 2-21, 2-23	374040	2-63	37909	4-11
330710	3-30	374041	2-5	37912	4-11, 4-13
33943	2-17, 2-19, 2-21, 2-23	374042	2-7	379202	2-25, 2-29, 2-33
34738	2-51, 2-53, 2-57	374043	2-9	37926	4-11
368590	2-53	374044	3-21	37929	4-11, 4-13
369345	3-20	374045	3-27	383720	2-53
369460	2-25, 2-29, 2-33	374046	3-27	383721	2-53
369763	2-75	374049	2-13	383723	2-53
370014	2-5	374051	4-3	383724	2-53
370016	2-7	374052	4-3	383726	2-21, 2-23
370018	2-9	374053	4-3	383727	3-15
370074	2-5	374054	4-3	38378	4-8
370076	2-7	374055	4-3	38889	4-17, 4-21, 4-22
370078	2-9	374057	4-3	39005	2-63, 2-65, 2-67, 2-69, 3-12
370091	2-5	374058	4-3	390996	2-25, 2-29, 2-33
370092	2-7	374059	2-37	391330	2-31
370093	2-9	374060	2-37	392206	2-69
370095	2-5, 2-7, 2-9	374061	4-3	392211	2-69
370100	2-63, 2-65, 2-67, 2-69	374062	4-3	392221	2-69
370113	2-37	374063	4-3	39311	2-53, 2-55
370114	2-41	374064	4-3	397705	2-39
370174	2-55	374065	4-3	397749	2-67
370924	4-14	374066	4-3	397750	2-69
374004	4-5, 4-7	374072	3-27	397751	2-65
374005	4-9	374073	3-29	397777	2-43
374006	2-27	374074	3-29	397787	2-43
374007	2-31	374075	3-29	397826	2-65, 2-67, 2-69
374008	2-35	374076	3-29	398219	4-13
374009	2-27	374077	3-4	398311	2-11
374010	2-31	374078	3-28	398440	2-37
374011	2-35	374081	4-4	398444	2-17, 2-19, 2-21, 2-23
374014	3-24, 4-16	374082	2-25, 2-29, 2-33	398445	2-27, 2-31, 2-35
374015	3-24, 4-18	374085	2-63	398485	2-39
		374086	2-63	398505	2-74
		374087	2-63	398511	4-13
		374088	2-63	398512	4-13
		374089	2-63	398513	4-13
		374090	2-63	398514	4-13
		374091	2-49	398515	4-13
		374109	3-28		

CROSS REFERENCE

Part Number	Page Number	Part Number	Page Number	Part Number	Page Number
398516	4-13	578143000	3-7	65668	4-14
398517	4-13	578154000	3-7	65675	4-14
398518	4-13	578155000	3-7	65700	4-14
398520	2-41, 3-15, 4-13	578160000	3-5	65701	4-14
398850	2-37	578161000	3-7	65702	4-14
40678	2-41, 3-9	578164000	3-7	65706	4-14
41141	2-53	578214000	3-7	65707	4-14
41186	2-11, 2-17, 2-19, 2-21, 2-23	578228000	3-7	65708	4-14
41360	2-25, 2-29, 2-33	578276000	3-5	65709	4-14
41619	2-59	578318000	3-5	65710	4-14
43242	2-43	578439	3-7	65724	4-20
43454	2-43, 3-12	578820000	3-5	65726	4-22
43500	2-11	578821000	3-7	65727	4-22
43844	3-9	57889	2-57	65740	3-24, 4-20
44961	2-17, 2-19, 2-21, 2-23, 2-25, 2-29, 2-33	579112	3-7	65873	3-3
45261	2-17, 2-19, 2-21, 2-23, 2-27, 2-31, 2-35	59658	2-11	65954	4-15, 4-16, 4-19, 4-20
45405	2-55	59849	2-17, 2-19, 2-21, 2-23	65958	4-19, 4-20
45960	2-17, 2-19, 2-21, 2-23, 2-27, 2-31, 2-35	602036000	3-7	65959	4-19, 4-20, 4-21, 4-22
45962	2-46	60386	4-11, 4-13	69234	2-37
46307	2-11	61212	3-11	69784	3-3
49263	2-17, 2-19, 2-21, 2-23, 2-27, 2-31, 2-35, 2-37	61297	4-11, 4-13	72953	3-3
49266	2-41	61298	4-11	74077	2-25, 2-29, 2-33
49514	2-49	61300	4-11, 4-13	74455	2-27, 2-31, 2-35
49694	2-63, 2-65, 2-67, 2-69	61596	3-22	75611	2-37, 2-39
49811	4-15, 4-17	61597	3-22	76099	2-25, 2-29, 2-33
49826	2-15, 2-49, 3-9	61598	3-21	76888	2-51, 2-53
49886	4-14	61837	4-15, 4-19, 4-20	78553	3-13
49901	4-14	63185	2-17, 2-19, 2-21, 2-23, 2-27, 2-31, 2-35	78572	2-13
50178	3-9	63248-1	2-7	79273-1	2-37
50682	2-17, 2-19, 2-21, 2-23, 2-27, 2-31, 2-35	63248-2	2-7	79506	2-57
51534	2-15	63248-3	2-7	79580	3-9
51787	2-11	63248-4	2-7	82138	2-3, 2-63, 2-65, 2-67, 2-69
54274	2-11	63291	2-55	85402	3-30
54333	2-43, 3-3	63416	2-61	86824	2-43
56992	2-51, 2-53	63735	2-46	86866	2-15, 2-59
57164	2-51	64778	3-3	87583	2-51
57751	2-51	65340	3-7		
57769	3-11	65341	3-5		
578060000	3-7	65540	3-24, 4-19		
578061000	3-7	65580	3-4, 3-11		
578063000	3-7	65582	3-7		
578064000	3-7	65610	3-7		
578066000	3-7	65613	4-17, 4-21		
578071000	3-5	65614	4-21, 4-22		
578072000	3-5	65616	4-17, 4-21, 4-22		
578074000	3-7	65618	4-21		
578077000	3-7	65619	4-17, 4-21, 4-22		
578078000	3-7	65620	4-19, 4-20, 4-21, 4-22		
578091000	3-7	65621	4-15		
578094000	3-7	65626	4-15, 4-17		
578123000	3-7	65628	4-17		
578124000	3-7	65629	4-15, 4-17		
578125000	3-7	65630	4-16, 4-17, 4-18, 4-21, 4-22		
578126000	3-7	65632	4-19, 4-20		
		65634	4-19		
		65638	4-15		
		65665	3-13		
		65667	4-14		

PART DESCRIPTION TO PAGE NUMBER CROSS REFERENCE LIST

A

A.C.Cord Set W/Plug, 4-15, 4-19, 4-20
 A.C.Cordset W/Plug, 4-17, 4-21, 4-22
 A.C.Strain Relief, 4-15, 4-16, 4-17, 4-18,
 4-19, 4-20, 4-21, 4-22
 Actuator, 36V, 1.75 Stroke, 2-59
 Actuator, Electronic, 2-15
 Adapter, Head, 3-7
 Adapter, Nozzle, 3-7
 Adaptor, Brush, 2-5, 2-7, 2-9
 Ammeter, 4-17, 4-21, 4-22
 Arm, Lift, Head, 2-15
 Arm, Park, 4-3
 Armature, 4-11, 4-13
 Axle, Wand, 3-7

B

Back, Pad Drive W/Face 14 Dia., 2-5
 Back, Pad Drive W/Face 16 Dia., 2-7
 Back, Pad Drive W/Face 18 Dia., 2-9
 Bag, Power Wand, 3-4, 3-11
 Band Wldt, Sqge 28, 2-65
 Band Wldt, Sqge 32, 2-67
 Band Wldt, Sqge 36, 2-69
 Band Wldt, Sqge, Tight-Aisle, 2-63
 Bar, Support, 2-25, 2-29, 2-33
 Battery Kit 36V 335Ah Wet, 3-23
 Battery Kit, 36V 235Ah Wet, 2-46
 Battery, 6V, Res Cap:129 Wet, 2-46
 Battery, 6V, Res Cap:196 Wet, 3-23
 Bearing & Seal Kit, 4-4
 Bearing Cover, 4-14
 Bearing Kit, 4-5
 Bearing, Drive End, 4-7
 Bearing, Flange .625 Bore, 2-11, 2-59,
 3-12
 Bearing, Flange, 2-57
 Bearing, Flg, Du .75 I.D, 2-49
 Bearing, Snap .875 Bore, 2-49
 Bearing-Ball,0.59B 1.26D 0.35W, 2-25,
 2-29, 2-33
 Bearing, 4-3, 4-4, 4-5, 4-6, 4-7, 4-8, 4-9,
 4-11, 4-13
 Belt, Drive, Cogged, 2-25, 2-29, 2-33
 Bezel, Panel, Touch, 2-51, 2-53
 Blade, End, Sqge, Tight-Aisle, 2-63
 Blade, Sqge Front,32" Oil Rst, 2-67
 Blade, Sqge, Front 28" Oil Rst, 2-65
 Blade, Sqge, Front, 28", Oil Rst, 2-3
 Blade, Sqge, Front, 32", Oil Rst, 2-3
 Blade, Sqge, Front, 36", Oil Rst, 2-3
 Blade, Sqge, Front, 36"Oil Rst, 2-69
 Blade, Sqge, Front, Tight-Aisle, Oil Rst,
 2-63
 Blade, Sqge, Front, Tight-Aisle, Tile, 2-63
 Blade, Sqge, Rear 28"Oil Resis, 2-65
 Blade, Sqge, Rear 32" Oil Resi, 2-67
 Blade, Sqge, Rear 36" Oil Rst, 2-69
 Blade, Sqge, Rear, 28", Oil Rst, 2-3
 Blade, Sqge, Rear, 32", Oil Rst, 2-3

Blade, Sqge, Rear, 36", Oil Rst, 2-3
 Blade, Sqge, Rear, Tight-Aisle, Oil Rst,
 2-63
 Blade, Sqge, Rear, Tight-Aisle, Tile, 2-63
 Blade, Sqge,Rear,Gum, 28", 2-3
 Blade, Sqge,Rear,Gum, 32", 2-3
 Blade, Sqge,Rear,Gum, 36", 2-3
 Blade, Squeegee, Rear Gum, 36", 2-69
 Blade, Squeegee, Rear, Gum 28", 2-65
 Blade, Squeegee, Rear,Gum 32", 2-67
 Blade, Squeegee, Tile 28", 2-65
 Blade, Squeegee, Tile, 32", 2-67
 Blade, Squeegee, Tile, 36", 2-69
 Blade, Squeegee,Front, 28", 2-3, 2-65
 Blade, Squeegee,Front, 32", 2-3, 2-67
 Blade, Squeegee,Front, 36", 2-3, 2-69
 Blade, Squeegee,Front, Tight-Aisle, 2-63
 Blade, Squeegee,Rear, 28", 2-3, 2-65
 Blade, Squeegee,Rear, 32", 2-3, 2-67
 Blade, Squeegee,Rear, 36", 2-3, 2-69
 Blade, Squeegee,Rear, Tight-Aisle, 2-63
 Blade, Squeegee,Tile, 28", 2-3
 Blade, Squeegee,Tile, 32", 2-3
 Blade, Squeegee,Tile, 36", 2-3
 Blade, Squeegee, 3-7
 Block, Squeegee, Adjust, 2-61
 Block, Pivot, Machined, 2-61
 Boot, 90Deg .50D .57X .84, 2-46
 Boot-Circuit Breaker, 2-51
 Brace Kit, 4-5
 Bracket Assembly, Motor, Rear, 4-4
 Bracket Wldt, Wall Roller, Lh, 3-17
 Bracket Wldt, Wall Roller, Rh, 3-17
 Bracket, Axle, 3-7
 Bracket, Caster Pad, 2-11
 Bracket, Catch, 2-57
 Bracket, Clamp, Potentiometer, 2-49
 Bracket, Fan End, 4-11, 4-13
 Bracket, Fan Switch, 2-57
 Bracket, Guide, Roller, 2-15
 Bracket, Handle Mounting, 3-7
 Bracket, Hose Guide, 2-27, 2-31, 2-35
 Bracket, Lift Retainer, 2-59, 3-12
 Bracket, Linkage, Lower, 2-61
 Bracket, Linkage, Upper, 2-61
 Bracket, Locking, Shroud, 2-51, 2-53
 Bracket, Mounting, Actuator, 2-15
 Bracket, Mounting, Motor, 2-25, 2-29, 2-33
 Bracket, Mounting, Roller, 2-27, 2-31, 2-35
 Bracket, Mounting, Vac Fan, 2-41, 3-15
 Bracket, Mtg, Bag, 3-11
 Bracket, Mtg, Isolator, 2-11
 Bracket, Mtg, Spring, 2-17, 2-19, 2-21,
 2-23, 2-27, 2-31, 2-35
 Bracket, Mtg, Transaxle, 2-11
 Bracket, Mtg, Valve, 2-43
 Bracket, Mtg, Wheel, 2-63, 2-65, 2-67,
 2-69
 Bracket, Pivot, 2-17, 2-19, 2-21, 2-23,
 2-27, 2-31, 2-35
 Bracket, Potentiometer, 2-49

Bracket, Prop Arm, 2-39
 Bracket, Roller Guide, 2-15
 Bracket, Shield, 2-25, 2-29, 2-33
 Bracket, Sppt, Wand, 3-11
 Bracket, Spring Retainer, 2-5, 2-7, 2-9
 Bracket, Steering Adjustment, 2-51, 2-53
 Bracket, Stop, Spring, 2-49
 Bracket, Support, Frame, 2-11
 Bracket, Support, 2-11
 Bracket, Tank Support, 2-15
 Bracket, Valve Mounting, 3-7
 Brake Kit, Parking, 3-12
 Brake Weldment, Parking, 3-12
 Breaker, Circuit 20 Amp, 2-51
 Breaker, Circuit, 25 Amp, 2-51
 Breaker, Circuit, 35Amp, 2-21, 2-23
 Breaker, Circuit, 40Amp, 3-15
 Breaker-Circuit 10 Resetable, 2-51
 Breaker-Circuit 2.5 Resetable, 2-51
 Brg&Seal Kit, 4-3
 Bridge Rectifier Kit, 4-15, 4-19, 4-20
 Brush Assembly, 4-8
 Brush Holder Cap, 4-4, 4-5
 Brush Kit, 4-4, 4-5, 4-6, 4-9, 4-14
 Brush Mechanism, 4-11, 4-13
 Brush, Wand AB, 3-7
 Brush, Wand, Poly, 3-7
 Brush&Spring Assy, 4-4, 4-5
 Brush-Disk Scr 14 D-Assy-Ab, 2-5
 Brush-Disk Scr 14 D Assy-Nylon, 2-5
 Brush-Disk Scr 14 D Assy-Poly, 2-5
 Brush-Disk Scr 16 D Assy Poly, 2-7
 Brush-Disk Scr 16 D-Assy-Nyl, 2-7
 Brush-Disk Scr 16 D-Assy-S Ab, 2-7
 Brush-Disk Scr 18 D Assy Nylon, 2-9
 Brush-Disk Scr-18 D Assy Ab, 2-9
 Brush-Disk Scr-18 D-Assy-Poly, 2-9
 Brush-Endbell, 4-14
 Brush-Scr Grout 28"Lg 18Sr Poly, 2-5
 Brush-Scr Grout 32"Lg 18Sr Poly, 2-7
 Brush-Scr Grout 36"Lg 18Sr Poly, 2-9
 Brush-Scrub -32Lg-18Sr-Nyl, 2-7
 Brush-Scrub 28"Lg 18Sr Ab, 2-5
 Brush-Scrub 28"Lg 18Sr Nylon, 2-5
 Brush-Scrub 28"Lg 18Sr Poly, 2-5
 Brush-Scrub 32"Lg 18Sr Ab, 2-7
 Brush-Scrub 32"Lg 18Sr Poly, 2-7
 Brush-Scrub 36"Lg 18Sr Ab, 2-9
 Brush-Scrub 36"Lg 18Sr Nylon, 2-9
 Brush-Scrub 36"Lg 18Sr Poly, 2-9
 Brush, 4-7
 Bumper, Handle, 2-57
 Bumper, Rubber, 2-11
 Bushing, 4-3
 Button Kit Battery Cutout 5700, 3-13
 Bypass Spgs&Popp, 4-14

C

Cable Assy, Hose Retainer, 2-37
 Cable Assy, Water, 2-43

CROSS REFERENCE

- Cable Assy-Lead, 11.0, 6Ga, 2-46
Cable, Battery, 2-46
Cable, Squeegee Lift, 2-57
Cam Brg/Diaph Kit, 4-14
Cam, Adj, Sqge, 2-63, 2-65, 2-67, 2-69
Cam, Fan Switch, 2-57
Cam/Bearing Scr, 4-14
Cap, Battery, 3-23
Cap, Brush Holder, 4-7
Cap, Oil, 4-3
Cap, Vinyl, 1.25ld, .75Dia, 3-27
Capacitor, 4-15
Capasitor 15Mfd, 4-22
Caster, 5.0 Dia Wheel, Neopre, 3-19
Caster, 5.0 Dia Wheel, 2-11
Centering Device, F/Pad Driver, 2-5, 2-7, 2-9
Chain, Coil, Str, #210, 09.0L 07 Link, 2-11
Chain, Link#2/0, 4Links, 2-11
Channel Wldt, Actuator, 2-59
Channel, 2-27, 2-31, 2-35
Charger 36V 20A 60H Ph, 4-15
Charger 36V/20A/60Hz/1Ph/115V, 4-16
Charger 36V/30A/60Hz/1Ph/115V, 4-18
Charger, 36V/20A 50H/ Ph 230V (See Breakdowns), 3-24
Charger, 36V/20A 50H/ Ph 230V, 4-19
Charger, 36V/20A 50H/1Ph 245V (See Breakdowns), 3-24
Charger, 36V/20A 50H/1Ph 245V, 4-20
Charger, 36V/20A 60H/ Ph 115V (See Breakdowns) (Replaced by 364014), 3-24
Charger, 36V/20A/60H/1Ph/115V (See Breakdowns), 3-24
Charger, 36V/30A 50H/1Ph 230V (See Breakdowns), 3-24
Charger, 36V/30A 50H/1Ph 230V (See Breakdowns), 3-24
Charger, 36V/30A 50H/1Ph 230V, 4-21
Charger, 36V/30A 50H/1Ph 245V (See Breakdowns), 3-24
Charger, 36V/30A 50H/1Ph 245V, 4-22
Charger, 36V/30A 60H/1Ph 115V (See Breakdowns) (Replaced by 364015), 3-24
Charger, 36V/30A 60H/1Ph 115V, 4-17
Charger, 36V/30A/60H/1Ph/115V (See Breakdowns), 3-24
Circuit Board Assy, Power Strg, 2-55
Circuit Breaker 15A, 4-16
Circuit Breaker 20A/AC, 4-18
Circuit Breaker, 4-15, 4-16, 4-17, 4-19, 4-20, 4-21, 4-22
Circuitbreaker, 10.0A, 2-53
Circuitbreaker, 20.0A, 2-53
Circuitbreaker, 25.0A, 2-53
Circuitbreaker, 5.0A, 2-53
Ck Valve - Buna, 4-14
Clamp, Cable, 1.00D 0.62W Stl, 2-37
Clamp, Hose, 3-5, 3-7
Clamp, Ribbon Cable, 2-74
Clamp, Cable .44D .62Wide, 3-9
Clamp-Cable, 0.44D 0.62W, 2-41
Clamp-Wormdrive 0.50-1.06D, 2-43
Clamp-Wormdrive, 0.25 - 0.62D, 3-9
Clamp-Wormdrive, 0.25- 0.62D, 3-9
Clamp-Wormdrive, 0.31- 0.88D, Ss, 3-9
Clamp-Wormdrive, 0.31- 0.88D, 2-43, 3-3
Clamp-Wormdrive, 0.81- 1.50D, 2-37
Clamp-Wormdrive, 1.62-3.50D, 3-3
Clamp-Wormdrive, 1.81- 2.75D, 2-37
Clamp, 4-11
Clevis, Adjustable M12, 3-12
Clip, Circuit Board, 2-55
Clip, Hose, Hanger, 2-37
Clip, Keeper, Open, 2-15
Clip, Keeper, St, 2-11, 2-17, 2-19, 2-21, 2-23
Clip, Stud, Receiver Speed, 2-51, 2-53
Clip, 4-3
Comm. Bracket, 4-11, 4-13
Condenser, 4-19, 4-20
Condensor 12.5Mfd, 4-17, 4-21
Connector Body, 4-9
Connector, 2 Conductor, 4-4, 4-5, 4-6, 4-11, 4-13
Connector, 2-Conductor, 4-7
Connector, Grey, SB50, 2-46, 4-15, 4-16, 4-17, 4-18, 4-19, 4-20, 4-21, 4-22
Contact, Switch, 3-13
Contactor, 36Vdc, 2-55
Contactor, Power, 2-55
Contactor, 36Vdc, 2-55
Control Assy, 4-19, 4-20, 4-21, 4-22
Control Circuit 36V/30A, 4-18
Control Circuit Tx2, 4-15, 4-17
Control Circuit, 4-15, 4-16, 4-17
Control Transformer, 4-19, 4-20, 4-21, 4-22
Controller, Propel, 1208A, 2-55
Cord Assy A.C., 4-16, 4-18
Cord Assy D.C., 4-16, 4-18
Cover, Scrub Head 36 Disk, 2-21
Cover, Electronic Board, 2-55
Cover, Front, Rework, 2-27, 2-31, 2-35
Cover, Front, 2-17, 2-19, 2-21, 2-23
Cover, Ps Circuit Board, 2-55
Cover, Scrub Head 28 Disk, 2-17
Cover, Scrub Head 32 Disk, 2-19, 2-23
Cover, Solution Tank, w/Label, 2-39
Cover, Terminal, Poly, 2-46
Cuff, Swivel, 3-5
- D**
- D.C.Cord Set Wo/Plug, 4-15, 4-19, 4-20
D.C.Cordset W/Plug, 4-17, 4-21, 4-22
D.C.Strain Relief, 4-15, 4-16, 4-17, 4-18, 4-19, 4-20, 4-21, 4-22
Debris Tray Kit, 28 in, 2-27
Debris Tray Kit, 32 in, 2-31
Debris Tray Kit, 36 in, 2-35
Diaphragm Kit, 4-14
Diode, Bridge 12 Amp, 2-51, 2-53
Diode, Elec, Plug, 2-74
Diode, 4-17, 4-21, 4-22
Disc, 4-11
Door Assy, Brush, 2-25, 2-29, 2-33
Door, Brush, 2-25, 2-29, 2-33
Door, Panel, Touch, 2-51, 2-53
Door, Scrub Head, Lh, 2-17, 2-19, 2-21, 2-23
Door, Scrub Head, Rh, 2-17, 2-19, 2-21, 2-23
Driver, Pad 14 D Assy (Replaced by 370014), 2-5
Driver, Pad 14 D Assy, 2-5
Driver, Pad 16 D Assy (Replaced by 370016), 2-7
Driver, Pad 16 D Assy, 2-7
Driver, Pad 18 D Assy (Replaced by 370018), 2-9
Driver, Pad 18 D Assy, 2-9
- E**
- End Ass'y, Brush, 4-5
Endbell, Brush End, Motor-Ele, 4-7
Es Elect 5700, 3-3
- F**
- Fan Assy, Vacuum (See Breakdowns), 2-41, 3-15
Fan, Vac (See Breakdowns), 2-41, 3-15
Fan, Vacuum, 4-11, 4-13
Fan, 4-11, 4-13
Filter, Vac Fan 5700, Field Kit, 2-41
Filter, Vac Fan, 2-37
Fitting, 90_Elbow, 3-7
Fitting, Plastic, 3-5
Fitting, Plug, 3-7
Fitting, Quick Disconnect, 3-5, 3-7
Fitting, Straight, 3-7
Fitting-Plastic Tee 06Bm/06Bm/, 2-17, 2-19, 2-21, 2-23, 2-27, 2-31, 2-35
Frame, Main, 2-11
Frame, Sqge 28", 2-65
Frame, Sqge, Tight-Aisle, 2-63
Frame, Squeegee 32", 2-67
Frame, Squeegee 36", 2-69
Ftg Str Plastic, 2-43
Ftg, Pipe, Cplg Plastic 0.75, 3-3
Ftg, Plastic, Coupling, 3-26
Ftg, Str, Drain, 3-9
Ftg, Plstc, Cplg, Barb. 75Pt-.50Hs, 2-37
Ftg, Plstc, Elb, Barb. 38Pt-.50Hse, 3-3
Ftg-Plastic E90 06Bm/08Bm, 3-9
Ftg-Plastic Str Specl 12Pm, 3-3, 3-9
Ftg-Plastic Str, 3-9
Ftg-Plstc Str 12Pm/12Pm, 3-3
Ftg-Plug Npt 12Pm Rd Hd Plstc., 2-37, 2-39
Fuse, A.C. 10 Amp, 4-19, 4-20
Fuse, A.C. 15 Amp, 4-21, 4-22
Fuse, D.C. 80Amp, 4-18
Fuse, 4-15, 4-17

G

Gasket, End Bell, 2-17, 2-19
 Gasket, Hourmeter, 2-51, 2-53
 Gasket, Plate, Fan Mtg, 3-15
 Gasket, Shield, 2-25, 2-29, 2-33
 Gasket, Tank, Front, 2-39
 Gasket, Tank, Rear, 2-39
 Gear, 28 T. 24P, 2-49
 Gear, Pivot, Steering, 2-49
 Gear, Speed Control, 2-49
 Gearbox, Motor, 4-9
 Grip, Handle Round, 2-49
 Grip, Handle, Oblong, 2-57
 Grip, Handle, 2-43, 3-12
 Grommet, Rbr, 0.50ld, For. 12Matl, 2-49
 Grommet, Rbr, 1.50ld, For .19Matl, 2-55
 Grommet, 3-7
 Guard, Belt, Lh, 2-25, 2-29, 2-33
 Guard, Belt, Rh, 2-25, 2-29, 2-33

H

Handle, Speed Control, 2-49
 Handle, Steering, 2-49
 Handle, Wand, 3-7
 Harness, Cable, Battery, 2-46
 Harness, Electr, Propel P.S., 2-74
 Harness, Electric Touch Panel, 2-74
 Harness, Main, Electric, 2-74
 Harness, Wire, Cyl Head, Elec, 2-27, 2-31, 2-35
 Harness, Wire, Disk Head, Elec, 2-17, 2-19, 2-21, 2-23
 Head, Wand, 3-7
 Hinge Leaf, Wldt, Rear, 2-39
 Hinge Leaf, 2-39
 Hinge Wldt, Leaf, 2-39
 Holder, Fuse Ac, 4-15, 4-17, 4-19, 4-20, 4-21, 4-22
 Holder, Pad, 2-5, 2-7, 2-9
 Hose & Cuff Assy, Drain .5ld 27.5L, 2-37
 Hose & Cuff Assy, Vacuum 1.51D 32L, 2-37
 Hose Assembly, 3-5
 Hose Assy, Drain, 3-26
 Hose Assy, Vacuum Wand, 3-4
 Hose Assy, Water, 3-9
 Hose End, Curved, 3-4
 Hose Vinyl Cl. 0.38 ldx 4.60Lg, 3-9
 Hose, .50ld X 26.0, 3-9
 Hose, Drain, Extension, 3-26
 Hose, Drain, Flex, 2-37
 Hose, Drain, Tank, Solution, 2-37
 Hose, Drain, 3-26
 Hose, Inlet Recovery Tank, 2-37
 Hose, Pvc .50ldx.73Od 23.0Lg, 3-3
 Hose, Pvc, 2-43
 Hose, Rbr, E90, .62ld 0.81ld, 2-43
 Hose, Rbr, Pinch Valve, 2-43
 Hose, Solution, 3-7
 Hose, Vacuum, 3-5

Hose, Vinyl .38ld .56Od 8.0L, 2-17, 2-19, 2-21, 2-23
 Hose, Vinyl Clr, .50ld X65.0L, 3-3
 Hose, 3-5, 3-9
 Hourmeter, 2-51, 2-53
 Housing, Control Lever, 2-43
 Housing, Cyl, 28, 2-27
 Housing, Cyl, 32, 2-31
 Housing, Cyl, 36, 2-35
 Housing, Cyl, Replacement 28, 2-27
 Housing, Cyl, Replacement 32, 2-31
 Housing, Cyl, Replacement 36, 2-35
 Housing, Steering, Adj, Elec, w/Label, 2-51, 2-53
 Housing, 4-11, 4-13
 Hub, Brush Drive, 2-17, 2-19, 2-21, 2-23

I

Instructions, Machine, 5700, 3-30
 Insulation, Sound, 3-29
 Insulator, Circuit Board, 2-55
 Isolator, Transaxle, 2-11
 Isolator-Vibration, 125Lb. Ratng, 2-11

K

Key Set, 2-51, 2-53
 Key Square 0.25 0.25 01.00 Lg, 4-6, 4-9
 Key, Sq, 0.12 X 0.12, 01.00l, 4-7
 Key, Square 0.12 0.12 0 1.00 Lg, 4-5
 Key, Square 0.25 0.25 0.75 Lg, 4-8
 Key, Square 0.25 0.25 0.75Lg, 2-17, 2-19
 Kit, Brace, 4-7
 Kit, Brush, 4-7
 Kit, Ci, Rplmt, Rear Panel, 2-53
 Kit, Ci, Sol Valve [5700], 2-43
 Kit, Ci, Sqge, Assy, [5680/5700] [700], 2-65
 Kit, Ci, Sqge, Assy, [5680/5700] [800], 2-67
 Kit, Ci, Sqge, Assy, [5680/5700] [900], 2-69
 Kit, Motor Bearing, 4-7
 Kit, Replmt, Controller, Mach, 5700Xp, 2-55
 Kit, Replmt, Sqge Frame, F/222411, 2-69
 Kit, Sensor, Optical, 3-27
 Kit, Sensor, Shielded, 3-28
 Kit, Sound Reduction, 3-29
 Knob, 4 Prongs w/.31-8 Insert, 2-63, 2-65, 2-67, 2-69
 Knob, Adjustable, Squeegee, 3-7
 Knob, M8X1.25 Insert, 2-37
 Knob, Potentiometer 0.125 Shaft, 2-51, 2-53
 Knob, W/M8 1.25X125Lg Stud, 2-61
 Knob, W1.25-20X1.5Lg Stud, 2-63, 2-65, 2-67, 2-69

L

Label Set, 5700, Xps, 2-75
 Label Set, Info & Hzd 5700, 2-75
 Label Set, Operational 5700, 2-75
 Label, Blank, Dark Gray, 2-51, 2-53
 Label, Clean Level Sensor Daily, 3-27
 Label, Es Logo, Off-White, 3-3
 Label, Steering Adjustment, 2-51, 2-53
 Latch, Draw, Flexible, 3-18
 Latch, 2-51, 2-53
 Lever Wldt, 2-59
 Lever, Control, 2-43
 Lever, Squeegee Lift, Upper, 2-57
 Lever, Squeegee Lift, 2-57
 Lever, Valve, 2-43
 Link, Squeegee Lift, Lower, 2-61
 Link, Squeegee Lift, Upper Lt, 2-61
 Link, Squeegee Lift, Upper Rt, 2-61
 Lip, Debris Tray 32", 2-31
 Lip, Debris Tray, 28", 2-27
 Lip, Debris Tray, 36, 2-35

M

Manual Package 5700XPS Japanese, 3-30
 Manual Package 5700XPS, 3-30
 Manual, Cd-Rom, Oprtr & Parts, All (NA), 3-30
 Manual, OP/MT 5700XPS, French, 3-30
 Manual, OP/MT 5700XPS, Spanish, 3-30
 Manual, Service 5700, 3-30
 Manual-Fiche Pkg 5700XPS, 3-30
 Meter, Discharge, Battery, 2-51, 2-53
 Motor 36V Dc, 4-14
 Motor Assy, Ele, 36V, 0.75Hp, 1700Rpm (See Breakdowns), 2-25, 2-29, 2-33
 Motor Assy, Ele, 36Vdc, 0.75Hp, 1700Rpm, 4-7
 Motor Assy, Elec, (Replaced by 374002) (See Breakdowns), 2-17, 2-19
 Motor Assy, Elec, Brush, 0.6Hp, 4-6
 Motor, .75 Hp, 36V, 1700Rpm (See Breakdowns), 2-25, 2-29, 2-33
 Motor, .75 Hp, 36V, 1700Rpm, 4-5
 Motor, Electric (See Breakdowns), 2-17, 2-19
 Motor, Electric, 4-8
 Motor, Gear, 1.0Hp 36V (See Breakdowns), 2-21, 2-23
 Motor, Gear, 1.0Hp 36V, 4-9
 Motor, Elec, 0.2Hp36V.Dc, 2100Rpm (See Breakdowns), 2-11, 4-3
 Motor, Elec, 0.2Hp36V.Dc, 2100Rpm, 4-4
 Mtr Gear Kit, 4-3

CROSS REFERENCE

N

Nozzle, Spray, 3-7
Nozzle, Vacuum Wand, 3-4
Nut Hx Ss M 8X1.25, 2-61
Nut Hx Std Ss M12X1.75, 3-12
Nut Hxlocnyln M 6X1.0 Reg Ss, 2-57
Nut Speed, Retainer, .25-20 Thd, 2-3, 2-63, 2-65, 2-67, 2-69
Nut, Hex, Lock, M05 X 0.8, NI, 2-53
Nut, Hex, Lock, M08 X 1.25, NI, Ss, 2-27, 2-31, 2-35
Nut, Hex, Std, M08 X 1.25, 2-53, 2-55
Nut, Retainer R/.312 Dia, 2-17, 2-19, 2-21, 2-23
Nut, Wheel, 2-13
Nut-Hx Thin .38-32, 2-49
Nut-Hxlocnyln M 8X1.25 Reg Ss, 2-11, 2-15, 2-17, 2-19, 2-21, 2-23, 2-25, 2-29, 2-33, 2-37, 2-43, 2-57, 2-59, 2-61, 2-63, 2-65, 2-67, 2-69, 3-4, 3-11, 3-12, 3-15
Nut-Hxlocnylon M 8X1.25 Reg Ss, 2-25, 2-29, 2-33
Nut, 4-11, 4-13

O

O-Ring, 4-3
Oil Seal, 4-6

P

Packing, Breather, 4-3
Packing, Cap, 4-3
Packing, Pawl, 4-3
Pad, Buff 14D Red, 2-5
Pad, Buff 16D Red, 2-7
Pad, Buff 18D Red, 2-9
Pad, Pedal, 3-12
Pad, Polish 14D White, 2-5
Pad, Polish 16D White, 2-7
Pad, Polish 18D White, 2-9
Pad, Scrub 14D Blue, 2-5
Pad, Scrub 16D Blue, 2-7
Pad, Scrub 18D Blue, 2-9
Pad, Strip 14D Brown, 2-5
Pad, Strip 16D Brown, 2-7
Pad, Strip 18D Brown, 2-9
Pad, Strip-Hd 14D Black, 2-5
Pad, Strip-Hd 16D Black, 2-7
Pad, Strip-Hd 18D Black, 2-9
Panel, Touch, Switch, 2-51, 2-53
Pawl, Park, 4-3
Pin, Clevis 0.50 Dia X 4.75Lg, 2-17, 2-19, 2-21, 2-23, 2-27, 2-31, 2-35
Pin, Clevis 6 Dia X 40 Lg, 2-61
Pin, Clevis, 0.31Dia X4.5Lg, 2-17, 2-19, 2-21, 2-23, 2-27, 2-31, 2-35
Pin, Clevis, 0.37 Dia 2.25Lg, 2-63, 2-65, 2-67, 2-69
Pin, Clevis, 0.62 Dia X 2.00Lg, 2-15
Pin, Cotter .125X0.75, 2-27, 2-31, 2-35
Pin, Cotter .062X0.75, 2-61
Pin, Cotter .094X0.75, 2-63, 2-65, 2-67, 2-69
Pin, Cotter .094X1.00, 2-59, 3-12
Pin, Cotter .125X0.75, 2-17, 2-19, 2-21, 2-23
Pin, Hair Cotter .375D .072Wir, 2-15, 2-59
Pin, Pivot Block, 2-61
Pin, Roll 3.5-32, 4-3
Pin, Roll 6-32, 4-3
Pin, Roll, 2-25, 2-29, 2-33
Pin, Roller, 2-27, 2-31, 2-35, 2-59
Pin, Clevis, 0.31 Dia. X 1.12 Lg, 3-12
Pin, Clevis, 0.37 Dia. X 1.50 Lg, 2-15
Pin, Clevis, 0.37 Dia. X 1.75 Lg, 2-59
Pin, Clevis, 0.50 Dia. X 2.00 Lg, 2-15
Pin, Clevis, 0.50 Dia. X 3.00 Lg, 2-59
Pin, Hair Cotter .12Wire 2.37Sl, 2-15, 2-17, 2-19, 2-21, 2-23, 2-27, 2-31, 2-35, 2-59, 2-61
Pin, Roll, .25Odx1.50L, .250/.256, 2-59
Pin- Cotter .094X0.75, 3-12
Pinion Gear, 4-3
Piston-Inner&Out, 4-14
Pivot Wldt, Steering, 2-49
Pivot, Squeegee Lift, 2-57
Plate Weldment, Stop, 3-12
Plate Wldt, Electronics, 2-55
Plate, Adaptor, Motor, 2-21, 2-23
Plate, Blade Retainer 28", 2-65
Plate, Blade Retainer 32, 2-67
Plate, Blade Retainer 36", 2-69
Plate, Blade Retainer, Tight-Aisle, 2-63
Plate, Fan Mtg, Dual, 3-15
Plate, Shield, 2-49
Plate, Squeegee Pivot, 2-57
Plug Drive Assy, 2-25, 2-29, 2-33
Plug Idler Assy, 2-25, 2-29, 2-33
Plug, Breather, 4-3
Plug, Brush Drive, 2-25, 2-29, 2-33
Plug, Brush, 2-25, 2-29, 2-33
Plug, Drain, 4-3
Plug, Expandable 1.00 Dia, 2-37
Plug, Expandable 1.5D X 1.75L, 2-37
Plug, Power Steering 2.08 Dia, 2-51, 2-53
Plug, Solution Tank, 2-39
Plug, Switch, 2-51, 2-53
Plugbtn .38H .03-.12 Blacknyl, 2-55
Plugbtn .50H .03-.12 Blacknyl, 2-51, 2-53
Plugbtn 1.25H .12 Max Blacknyl, 2-51, 2-53
Potentiometer Assy, Electric, 2-49
Potentiometer Assy, Electronic, 2-49
Potentiometer, Elect, 2-49
Power Tran, 4-20
Power Transformer, 4-15, 4-17, 4-21, 4-22
Pump Assy, Water 36Vdc (See Breakdowns), 3-3
Pump Assy, Water 36Vdc, 4-14
Pump Head Assembly, 4-14
Pump Screws, 4-14
Pump, Water 0.5 Gpm 12Psi 36V, 3-9
Pump, 4-14

Pushnut, 3-17

R

Rectifier Assy, 4-16, 4-18
Rectifier Scr 20A, 4-16
Rectifier Scr 35A, 4-18
Replacement Kit, Hose, 3-9
Replm Kit, Battery 6V/335 Wet, 3-23
Replm Kit, Brush Skirts, 2-3
Replm Kit, Power Steering, 2-55
Replm Kit, Rear Panel, 2-51
Replm Kit, Screen, 2-43, 3-9
Replm Kit, Seal, 2-25, 2-29, 2-33
Replm Kit, Squeegee Pivot, 2-57
Retainer, Blade, End, Sqge, Tight-Aisle, 2-63
Rim, 2-13, 3-22
Ring, Snap, 4-7
Ring, Spacer, 2-21, 2-23
Ring, Retain, Ex, 0.59Od, Basic, 2-25, 2-29, 2-33
Rivet, Pop -.125D X .32 X .25Dhd St, 2-57
Rivet, Pop, .125D X .32 X .25Dhd, 2-51, 2-53
Rivet, Pop-.125Dx.44X.25Dhd Al, 3-18
Rivet, Pop, 3-7
Rod Wldt, Linkage, Sqge, 2-59
Rod, Brake .50 D, 3-12
Rod, Thrd, 2 End M08X1.25 01.4, 3-17
Roller, Bumper, 2-3, 2-27, 2-31, 2-35
Roller, Linkage, Head, 2-17, 2-19, 2-21, 2-23, 2-27, 2-31, 2-35
Roller, Sqge Centering, 2-61
Roller, Sqge, Auto, 2-59
Roller, 3-17

S

Sales Video, 5700 Operation, 3-30
Scr Flt M 5X0.8 16, 2-63
Scr Flt M8 x 1.25 25, 2-25, 2-29, 2-33
Scr Hex Ssm 8X1.25 50, 2-63, 2-65, 2-67, 2-69
Scr Hexss M6 X 1.0 25, 2-17, 2-19
Scr Hexss M8 X 1.25 20, 2-17, 2-19
Scr Hexss.25-20X1.00, 2-17, 2-19
Scr Hexss.31-18X0.75, 2-17, 2-19
Scr Hexssm 8X1.25 30, 2-11, 2-21, 2-23, 2-43, 3-4, 3-11, 3-12
Scr Hexssm 8X1.25 25, 2-11, 2-51, 2-53, 2-59, 3-12, 3-15
Scr Hexssm 8X1.25 45, 2-11, 2-61
Scr Hexssm 8X1.25 55, 2-15
Scr Hexssm 8X1.25 70, 2-63, 2-65, 2-67, 2-69
Scr Hexssm 8X1.25 16, 2-41
Scr Hexssm 8X1.25 35 Nylonloc, 2-11
Scr Hexssm 8X1.25 40, 2-11, 2-61
Scr Hexssm 8X1.25, 2-25, 2-29, 2-33, 2-37, 2-59
Scr Panssm 4X0.7 35, 2-5, 2-7, 2-9

Scr.-Hexssm 8 X 1.25 25 Nyloc, 2-11
 Scr-Flat M 3X0.5, 2-49
 Scr-Fit M 8X1.25 30 Ss18-8, 2-57
 Scr-Fit M 8X1.25 20 Blk Nyloc, 2-39, 2-43
 Scr-Fit M10 X 1.5 20, Ss NI, 2-25, 2-29, 2-33
 Scr-Fit M8 X 1.25 25 Ss, 2-25, 2-29, 2-33
 Scr-Fit M8 X 1.25 40, 2-17, 2-19, 2-21, 2-23
 Scr-Hex .31-18X1.50 Ss, 2-21, 2-23
 Scr-Hexssm 6X1.0 12 Nylonloc, 2-49
 Scr-Hexssm 8X1.25 16 Nylon Loc, 2-15, 2-49, 3-9
 Scr-Hexssm 8X1.25 20 Nylnloc, 2-11
 Scr-Hexssm 8X1.25 20, 2-15, 2-37, 2-39, 2-41, 2-43, 2-55
 Scr-Hexssm 8X1.25 25 Nylnloc, 2-39
 Scr-Hexssm10X1.5 40 Full Thd, 2-17, 2-19, 2-21, 2-23, 2-27, 2-31, 2-35
 Scr-Hexssm6X1.0 25, 2-27, 2-31, 2-35
 Scr-Hxfmg M6 X 1.0 20, 2-27, 2-31, 2-35
 Scr-Hxfmg M8 X 1.25 25, 2-25, 2-29, 2-33
 Scr-Set 8-32 X .25 Nylon Loc, 2-25, 2-29, 2-33
 Scr-Set Cam Brg, 4-14
 Scr-Shld .500Dx4.25L .38-16, 2-17, 2-19, 2-21, 2-23, 2-27, 2-31, 2-35
 Screen, Drain, 2-43, 3-9
 Screen, Solution 60 Mesh, Cyl, 3-3
 Screw Hexssm 6X1.0, 2-49
 Screw, Btn, M8 X 1.25 X 40, Ss18-8, 2-65, 2-67, 2-69
 Screw, Flat, M06-1.0 X 16, NI, 2-49
 Screw, Flat, M 8X1.25 Ss, 2-25, 2-29, 2-33
 Screw, Hex, Fmg, M06-1.0 X 10, 2-49
 Screw, Hex, M06 X 1.0 X 16, Ss, 2-25, 2-29, 2-33
 Screw, Hex, M06-1.0 X 16, 2-25, 2-29, 2-33
 Screw, Hex, M08 X 1.25 X 16, Ss, 2-43
 Screw, Hex, M08 X 1.25 X 35, Ss, 2-27, 2-31, 2-35
 Screw, Hexssm 6X1.0 16 Nylonloc, 2-57
 Screw, Hexssm 6X1.0, 2-57
 Screw, Pan, #06-20 X 0.50, Fmg, 2-53
 Screw, Pan, #08 -32 X 0.38, 2-43
 Screw, Pan, M05 X 0.8 X 20, 4.8, 2-53
 Screw, 4-11
 Scrub Head Kit 700D 5700, 2-17
 Scrub Head Kit 800D 5700, 2-19
 Scrub Head Kit 900D 5700, 2-21
 Scrub Head Kit Hd 800D5700, 2-23
 Seal Kit, Steering Control, 2-49
 Seal, Fan, 4-11, 4-13
 Seal, Oil, 4-8
 Seal, Rbr, .12X .38 X 36.0, 2-51, 2-53
 Seal, Ring, 2-25, 2-29, 2-33
 Seal, Vac Fan, 2-41, 3-15
 Seal, 4-3, 4-4, 4-7
 Sensor Kit, Liq Level, 2-37, 3-3
 Sensor, Optical, 3-27
 Shaft, Drive Plug, 2-25, 2-29, 2-33
 Shaft, Idler Plug, 2-25, 2-29, 2-33

Shaft, Parking, 4-3
 Shaft, Roller, 3-17
 Shell, 4-11, 4-13
 Shield, Belt, 2-25, 2-29, 2-33
 Skirt Assy, Disk Head, 28", 2-3, 2-17
 Skirt Kit, Urethane, Scrubber Head, 3-25
 Skirt, Assy, Disk Head 36, 2-21
 Skirt, Assy, Disk Head, 36", 2-3
 Skirt, Debris Tray, 2-27, 2-31, 2-35
 Skirt, Deflector, 2-3, 2-25, 2-29, 2-33
 Skirt, Scrub Head, 2-3, 2-25, 2-29, 2-33, 3-25
 Sleeve .62D .34B .38L, 3-12
 Sleeve, .318B .496D .312 Ss, 2-39
 Sleeve, .344B .62D.72 Bronze, 2-61
 Sleeve, .344B .62D.93 Bronze, 2-61
 Sleeve, .344B .62D1.3 Bronze, 2-15, 3-12
 Sleeve, .500B .62D1.31 Stil, 2-17, 2-19, 2-21, 2-23, 2-27, 2-31, 2-35
 Sleeve, 2-17, 2-19, 2-21, 2-23, 2-39, 2-57, 2-63, 2-65, 2-67, 2-69
 Snap Ring, 4-3, 4-4, 4-5
 Spacer, .375 X .375 Od, 2-55
 Spacer, Battery .62X1.5X21.0, 2-46, 3-23
 Spacer, Battery 3.0X4.3X21.0, 2-46
 Spacer, Lift Arm, 2-15
 Spacer, Pad Holder, 2-5, 2-7, 2-9
 Spacer, 4-11, 4-13
 Spring, Brush Retaining, 2-5, 2-7, 2-9
 Spring, Brush, 4-8
 Spring, Centering, 2-11
 Spring, Compression, 2-49, 3-7
 Spring, Door, 2-25, 2-29, 2-33
 Spring, Park, 4-3
 Spring, Return, 4-3
 Spring, Tension, 2-17, 2-19, 2-21, 2-23, 2-27, 2-31, 2-35, 2-61
 Spring, Torsion Centering, 2-49
 Spring, Torsion, Wheel, 2-63, 2-65, 2-67, 2-69
 Spring, Torsion, 2-39, 2-49, 3-12
 Spring, Comp, .84Odx.10Wire 2.0L, 2-17, 2-19, 2-21, 2-23, 2-27, 2-31, 2-35
 Spring, 4-11, 4-13
 Sprng, Comp, 0.59Idx.05Wire 0.6L, 2-57
 Sprng, Comp, 0.74Idx.11Wire 2.5L, 2-17, 2-19, 2-21, 2-23, 2-27, 2-31, 2-35
 Sprocket, Drive, 2-25, 2-29, 2-33
 Squeegee Assembly, Tight-Aisle, 2-63
 Squeegee Kit F/Tile Gumrbr 700, 2-3
 Squeegee Kit F/Tile Gumrbr 800, 2-3, 2-67
 Squeegee Kit F/Tile Gumrbr 900, 2-3, 2-69
 Squeegee Kit F/Tile, Tight-Aisle, 2-63
 Squeegee Kit Oil Rs Urethan700, 2-65
 Squeegee Kit Oil Rs Urethn 700, 2-3
 Squeegee Kit Oil Rs Urethn 800, 2-3, 2-67
 Squeegee Kit Oil Rs Urethn 900, 2-3, 2-69
 Squeegee Kit Oil Rs, Tight-Aisle, 2-63
 Squeegee Kit, F/Tile Gumrbr700, 2-65
 Stationary Fan, 4-11, 4-13
 Stop, Tank, 2-39
 Strap, Cap Retainer, 2-37

Strap, Drainhose, 2-37
 Strap, Lanyard, 2-55
 Strap, Poly, Webbing, 100" L, 2-46
 Strap, Rubber, 3-11
 Strip, Debris Tray, 2-27, 2-31, 2-35
 Strip, Retainer, 3-7
 Strip, Stop, Adj. Shroud, 2-51
 Stud, Adjustable, 3-7
 Stud, M8X1.25 20 8.8 Pltd, 2-37
 Stud, Wheel .44-20 X1.22, 4-3
 Switch Assy, Key Spst, 2-51, 2-53
 Switch, Float, 2-37, 3-3, 3-28
 Switch, Pushbutton, 3-13
 Switch, Red Stop, 4-16, 4-18
 Switch, 3-9
 Swivel, 2-43

T

Tank, Recovery, 2-37
 Tank, Solution, w/Label, 2-39
 Terminal, Female, 4-4, 4-5, 4-6, 4-7, 4-11, 4-13
 Terminal, 4-9
 Tie Cable 3.00D Max 11.41Lg, 2-17, 2-19, 2-21, 2-23, 2-27, 2-31, 2-35
 Tie, Cable 1.75D Max 7.50Lg, 2-41
 Tie, Cable 3.00D Max 11.41Lg, 2-37
 Tie, Cable 4.00 Max 14.50Lg, 2-17, 2-19, 2-21, 2-23
 Tie, Cable 4.00D Max 14.50 Lg, 2-25, 2-29, 2-33
 Tire & Rim Assy 12.3 Dia Solid, 3-20
 Tire & Rim Assy Foam Filled, Black, 3-21
 Tire & Rim Assy Foam Filled, Gray, 3-21
 Tire and Rim Assembly, Black, 2-13
 Tire and Rim Assembly, Gray, 3-22
 Tire, 4.10/3.5-6, Black, 2-13
 Tire, Gray, 3-22
 Transaxle Dual Motor Assy 22Lg (See Breakdowns), 2-11
 Transaxle, Dual Drive, 4-3
 Transformer, Power, 4-19
 Tray, Debris, 28, 2-27
 Tray, Debris, 32, 2-31
 Tray, Debris, 36, 2-35
 Tray, Wand, 3-11
 Triac, Charger, 4-15, 4-17
 Tube, Drain, 2-37
 Tube, Inner, 2-13, 3-22
 Tube, Poly .38Id X .06W X 16L, 3-3

V

Vacuum Fan Kit, Dual, 3-15
 Vacuum Fan, 4-11, 4-13
 Valve, Solenoid, 2-43
 Valve, Water, 3-7
 Varistor, 4-16, 4-17, 4-18, 4-21, 4-22
 Vent, Valve, 4-3
 Video, Sales, Operation, 5700 Pal, 3-30

CROSS REFERENCE

W

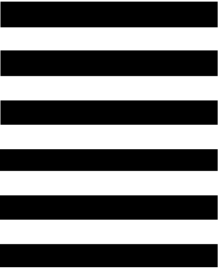
Wall Roller Kit 5700, 3-17
Wand Vacuum 5700, 3-4
Wand Assembly, 3-7
Wand, Off-Aisle, 3-7
Wand, Vacuum, 3-4
Washer .380B 1.22D .06 Ss18-8, 2-11
Washer Flt .25 Ss, 2-25, 2-27, 2-29, 2-31,
2-33, 2-35, 2-49, 2-57
Washer Flt .31 Ss, 2-11, 2-15, 2-17, 2-19,
2-21, 2-23, 2-25, 2-27, 2-29, 2-31,
2-33, 2-35, 2-37, 2-39, 2-41, 2-43,
2-55, 2-57, 2-59, 2-61, 2-63, 2-65,
2-67, 2-69, 3-4, 3-9, 3-11, 3-12, 3-15
Washer Flt .38 Ss, 2-17, 2-19, 2-21, 2-23,
2-61
Washer Flt .50 Ss, 2-59
Washer Spacer Speed Control, 2-49
Washer, .310B .88D .12Rbr, 2-61
Washer, .344B .69D .06Nylon, 2-43, 3-12
Washer, .375B 1.25D .12Neopre, 2-63,
2-65, 2-67, 2-69
Washer, .406B .81D .09Ureth, 2-17, 2-19,
2-21, 2-23
Washer, .467B 1.19D .03Nylon, 4-5
Washer, .660B 1.00D .12 Rbr, 2-37
Washer, .660B 1.00D .12Rbr, 3-27
Washer, 0.47b 1.19d .03, Nyl, 4-7
Washer, Bellville .31 Pltd, 2-11
Washer, Finish M8 Blk, 2-43
Washer, Flat, .31 Fender, 2-37
Washer, Flt .50 SAE, 2-17, 2-19, 2-21,
2-23, 2-27, 2-31, 2-35
Washer, Flt, .50 Sae, 2-65, 2-67, 2-69
Washer, Lock, Int-Ext, .31, 2-53
Washer, Neo., 4-11, 4-13
Washer, Polyethylene, 2-49
Washer, Spring, 4-7
Washer, .375B1.25D .12 Neopr, 2-49
Washer- Flt 17 X30X3 Ss M16, 2-37
Washer-Belleville .31 Pltd, 2-17, 2-19,
2-21, 2-23
Washer-Flt .31 Fender Pltd, 2-39, 2-49,
2-51, 2-53
Washer-Flt 17 X 30 X3 Ss M16, 3-27
Washer-Thrust, 3-12
Washer, 4-11
Wavy Washer, 4-4, 4-5
Wheel Assy, 5.0 Neoprene, 3-19
Wheel, 2.0 Dia, 2-3, 2-17, 2-19, 2-21, 2-23
Wheel, 3.0 Dia, 2-3, 2-63, 2-65, 2-67, 2-69
Wheel, Guide, 3-7



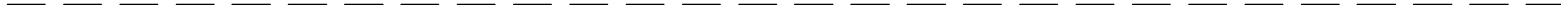
TENNANT COMPANY
 Technical Publications #15
 701 North Lilac Drive
 P.O. Box 1452
 Minneapolis, MN 55440-9947

POSTAGE WILL BE PAID BY ADDRESSEE

BUSINESS REPLY MAIL
 FIRST CLASS MAIL PERMIT NO. 94 MINNEAPOLIS, MN



NO POSTAGE
 NECESSARY
 IF MAILED
 IN THE
 UNITED STATES



Fold along dotted lines

Tape here

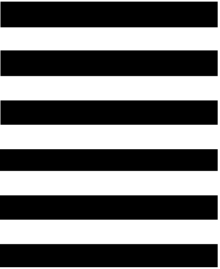




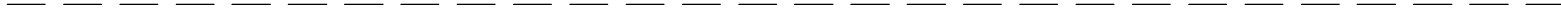
TENNANT COMPANY
 Technical Publications #15
 701 North Lilac Drive
 P.O. Box 1452
 Minneapolis, MN 55440-9947

POSTAGE WILL BE PAID BY ADDRESSEE

BUSINESS REPLY MAIL
 FIRST CLASS MAIL PERMIT NO. 94 MINNEAPOLIS, MN



NO POSTAGE
 NECESSARY
 IF MAILED
 IN THE
 UNITED STATES



Fold along dotted lines

Tape here

