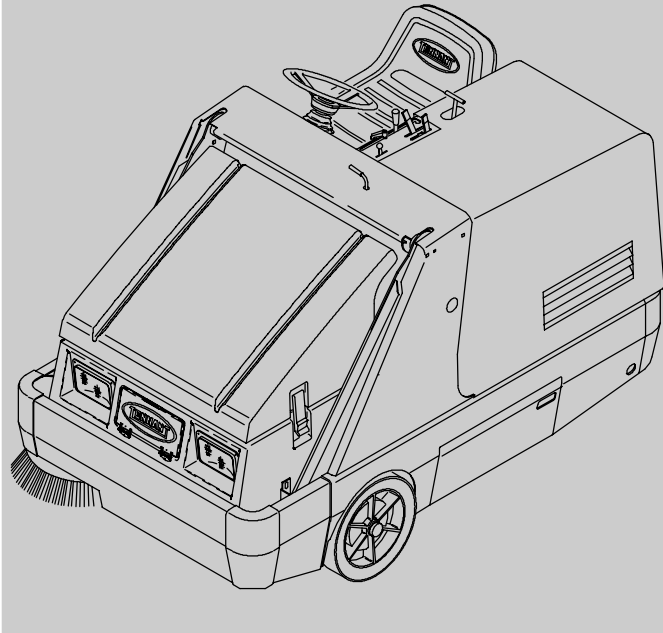




# 6400

(Liquid Cooled)

## Sweeper Parts Manual



**North America / International**

[www.tennantco.com](http://www.tennantco.com)

MM429  
Rev. 12 (04-2009)



When ordering replacement parts, use the illustrated parts list section in this manual. Before ordering parts or supplies, be sure to have your machine model number and serial number available. Only use TENNANT Company supplied or equivalent parts. Parts and supplies may be ordered online, by phone, or mail from any authorized parts and service center, distributor or from any of the manufacturer's subsidiaries.

This machine will provide excellent service. However, the best results will be obtained at minimum costs if:

- The machine is operated with reasonable care.
- The machine is maintained regularly - per the machine maintenance instructions provided.
- The machine is maintained with manufacturer supplied or equivalent parts.

#### **MACHINE DATA**

Please fill out at time of installation for future reference.

Model No. - \_\_\_\_\_

Serial No. - \_\_\_\_\_

Machine Options - \_\_\_\_\_

Sales Rep. - \_\_\_\_\_

Sales Rep. phone no. - \_\_\_\_\_

Customer Number - \_\_\_\_\_

Installation Date - \_\_\_\_\_

#### **Tennant Company**

PO Box 1452

Minneapolis, MN 55440

Phone: (800) 553-8033 or (763) 513-2850

[www.tennantco.com](http://www.tennantco.com)

Thermo-Sentry, Instant Access, and Perma-Filter are US registered and unregistered trademarks of Tennant Company.

Specifications and parts are subject to change without notice.

Original instructions, Copyright © 1996-2000, 2001, 2002, 2004, 2006-2009 TENNANT Company, Printed in U.S.A.

## HOW TO USE THIS MANUAL

This section on *HOW TO USE THIS MANUAL* will tell you how to:

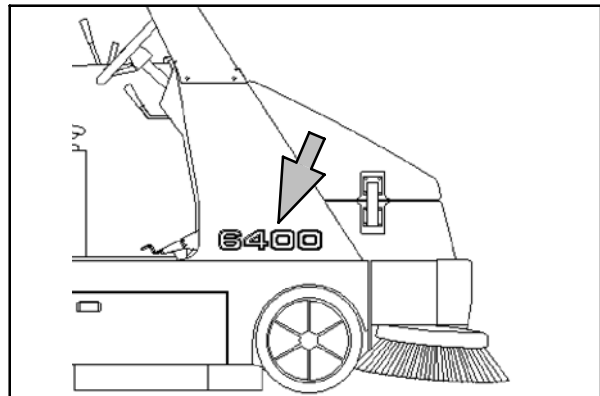
- Find important machine information for ordering correct repair parts.
- Find TENNANT part numbers.
- Order TENNANT parts and supplies.

### IMPORTANT INFORMATION

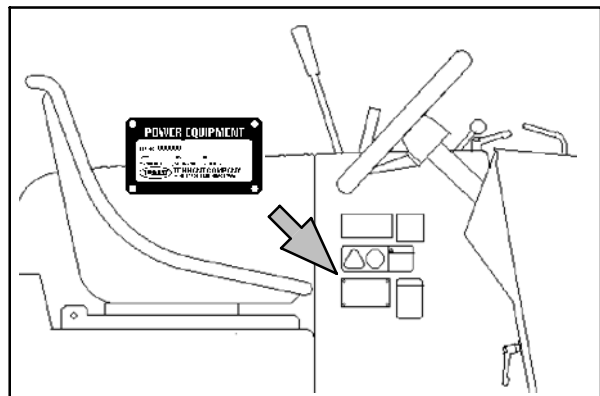
When placing an order for parts, the machine model and machine serial number are important. Refer to the *MACHINE DATA* box which is filled out during the installation of your machine. The *MACHINE DATA* box is located on the inside of the front cover of this manual.

| MACHINE DATA   |  |
|--|--|
| <i>Please fill out at time of installation for future reference.</i> |  |
| Machine Model Number -6400   |  |
| Machine Serial Number - _____  |  |
| Machine Options - _____  |  |
| TENNANT Representative/phone no. - _____                             |  |
| Customer ID Number - _____   |  |
| Date of Installation - _____   |  |
| Manual Number -MM429   |  |
| Revision: 00   |  |
| Published: 9-96  |  |

The model number of your machine is on the side of the machine.



The serial number of your machine is printed on the machine data plate located as shown.



# HOW TO USE THIS MANUAL

## FINDING A TENNANT PART NUMBER

This manual contains the following sections:

- HOW TO USE THIS MANUAL
- STANDARD PARTS
- OPTIONS
- BREAKDOWNS
- ENGINE BREAKDOWNS
- CROSS REFERENCE

The STANDARD PARTS section lists repair parts for standard machines. They are grouped in this general order:

- General wear parts.
- Machine frame and related parts.
- Machine propelling system.
- Sweeping components.
- Electrical parts.

The OPTION section lists repair parts of options.

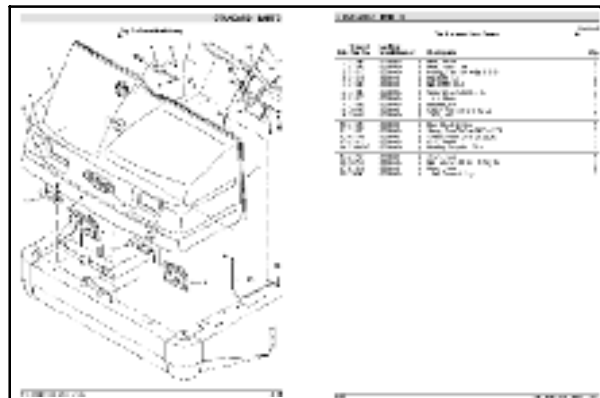
The BREAKDOWN section lists available repair parts of major components.

All sections in this manual consist of parts illustrations and corresponding parts lists.

The parts illustrations are numbered with **Ref** numbers which refer to corresponding parts lists.

The parts lists include a number of columns of information:

- **Ref** - column refers to the reference number on the parts illustration.
- ∇ - indicates the part is an assembly.
- ▲ - indicates the part is included in the assembly listed just before it.
- **Part No.** - column lists the TENNANT part number for the part.
- **Serial Number** - column indicates the set of machines the part number is applicable to. Serial numbers change when the machine design has been modified. The most current design of the machine is shown in the main illustration, older designs are boxed in a corner of the illustration.
- **Description** - column is a brief description of the part.
- **Qty.** - column lists the quantity of that part used in that area of the machine.

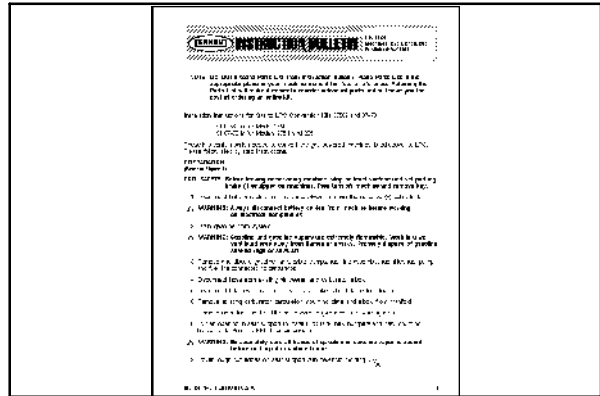


**Fig. 7 - Front Hood Group**

| Tennant Ref. Part No. | Machine Serial Number | Description                    | Qty. |
|-----------------------|-----------------------|--------------------------------|------|
| 1 71205               | (000000-)             | Hood, Front                    | 1    |
| 1 71238               | (000000-)             | Hood, Front, Lpg               | 1    |
| 2 71513               | (000000-)             | Molding, Trim 11-14Ga 116.0    | 1    |
| 3 71554               | (000000-)             | Headlight, 12V                 | 2    |
| 4 21530               | (000000-)             | Nut, U MS X 6.8                | 6    |
| 5 24196               | (000000-)             | Screw PanHex 5/16 X .20        | 6    |
| 6 21523               | (000000-)             | Latch, Hood                    | 1    |
| 7 21528               | (000000-)             | Bracket, Pin                   | 1    |
| 8 08716               | (000000-)             | Screw Hex Ssm 6 X 1.0 20       | 2    |
| 9 69192               | (000000-)             | Latch, Bolt                    | 1    |
| 10 21526              | (000000-)             | Rod, Hood Release              | 1    |
| 11 01076              | (000000-)             | Spring, Tens.50Cdx.04Wire 2.5L | 1    |
| 12 47744              | (000000-)             | Swivel Control .250-.250Ga     | 1    |
| 13 21527              | (000000-)             | Rod, Hood                      | 1    |
| 14 63469-3            | (000000-)             | Bearing, Snap-In .38 Id        | 1    |
| 15 71243              | (000000-)             | Cable, Hood                    | 1    |
| 16 08712              | (000000-)             | Nut H40cnyH M 5X1.0 Peg Se     | 1    |
| 17 71941              | (000000-)             | Hinge, Hood                    | 2    |
| 18 09306              | (000000-)             | Label, Tennant Logo            | 1    |

**NOTE:** If a service kit is installed on your machine, be sure to keep the **INSTRUCTION BULLETIN** which came with the kit. It contains repair parts numbers needed for ordering future parts.

**NOTE:** Fasteners used in this machine may be metric or non-metric. Take care when replacing hardware to replace with same thread size.



## PLACING AN ORDER

Orders may be placed by phone, fax, or by mail. Phone orders may need written confirmation. Follow the steps below to insure prompt delivery:

1. Identify the model number of your machine.
2. Identify the serial number of your machine.
3. Find the part number of the part you need. Do not order by page number or reference number. If you are not able to find the part number, call your TENNANT representative for help or send the old part as a sample.
4. Determine the quantity of the part you need.
5. Provide the following company information:
  - Company name
  - Customer ID Number
  - Shipping address
  - Billing address
  - First and last name of person ordering parts
  - Telephone number
  - Purchase order number
6. Provide definitive shipping instructions.

## HOW TO USE THIS MANUAL

---

Any claim for loss or damage to a shipment in transit should be filed promptly with the transportation company making the delivery. Shipments will be complete unless the packing list or order acknowledgement indicates items back ordered.

If parts received are suspected to be incorrect or defective, please contact the TENNANT representative from whom you ordered the part. They will give authorization for return and/or handle replacement shipments when required.

## SECTION 2

| Contents   | Page | Contents   | Page  |
|--|------|--|-------|
| Fig. 1 - General Recommended Maintenance Items .....                                 | 2-2  | Fig. 38 - Hopper Filter Box Group (000000-005315) .....    | 2-80  |
| Fig. 2 - Brushes, Replacement .....  | 2-8  | Fig. 39 - Hopper Filter Box Group (005316- ) .....         | 2-82  |
| Fig. 3 - Main Frame and Skirts Group .....   | 2-10 | Fig. 40 - Hydraulic Reservoir Group .....                  | 2-84  |
| Fig. 4 - Brush Door Group, Right Side .....  | 2-12 | Fig. 41 - Hydraulic Pumps Group .....                      | 2-86  |
| Fig. 5 - Brush Door Group, Left Side .....   | 2-14 | Fig. 42 - Hydraulic Pump Linkage Group .....               | 2-88  |
| Fig. 6 - Seat and Cover Group .....  | 2-16 | Fig. 43 - Hydraulic Control Valve Group .....              | 2-90  |
| Fig. 7 - Rear Cover Latch Group .....  | 2-18 | Fig. 44 - Hydraulic Solenoid Valve Group .....             | 2-91  |
| Fig. 8 - Operator Station Group .....  | 2-20 | Fig. 45 - Hydraulic Schematic .....                        | 2-92  |
| Fig. 9 - Instrument Panel Group, Gas .....   | 2-22 | Fig. 46 - Hydraulic Hose Group .....                       | 2-94  |
| Fig. 10 - Instrument Panel Group, LPG .....  | 2-24 | Fig. 47 - Electrical Schematic, G/LP (Liquid Cooled) ..... | 2-96  |
| Fig. 11 - Steering Wheel Group .....   | 2-26 | Fig. 48 - Wire Harnesses Group, G/LP (Liquid Cooled) ..... | 2-98  |
| Fig. 12 - Engine and Mount Group, G/LP .....   | 2-28 | Fig. 49 - Label Group .....                                | 2-100 |
| Fig. 13 - Engine Flywheel Housing and Mount Group, G/LP .....                        | 2-30 |  |       |
| Fig. 14 - Engine Air Cleaner Group, G/LP .....                                       | 2-32 |  |       |
| Fig. 15 - Engine Radiator Group, G/LP .....  | 2-34 |  |       |
| Fig. 16 - Engine Fuel Tank Group, Gas .....  | 2-36 |  |       |
| Fig. 17 - Engine Fuel Tank Group, LPG .....  | 2-38 |  |       |
| Fig. 18 - Engine Vaporizer Group, LPG (standard) (Serial Number 000000-001759) ...   | 2-40 |  |       |
| Fig. 19 - Engine Vaporizer Group, LPG (standard) (Serial Number 001760-001839) ...   | 2-42 |  |       |
| Fig. 20 - Engine Vaporizer Group, LPG (California) (Serial Number 000000-001839) ... | 2-44 |  |       |
| Fig. 21 - Engine Vaporizer Group, LPG (standard) (Serial Number 001840-003415) ...   | 2-46 |  |       |
| Fig. 22 - Engine Vaporizer Group, LPG (standard) (Serial Number 003416- ) .....      | 2-48 |  |       |
| Fig. 23 - Engine Muffler Group, G/LP .....   | 2-50 |  |       |
| Fig. 24 - Engine Battery Group, G/LP .....   | 2-52 |  |       |
| Fig. 25 - Directional Pedal Group .....  | 2-54 |  |       |
| Fig. 26 - Wheel and Brake Group, Front .....   | 2-56 |  |       |
| Fig. 27 - Wheel Group, Rear Drive .....  | 2-58 |  |       |
| Fig. 28 - Brush Lift Group, Main .....   | 2-60 |  |       |
| Fig. 29 - Brush Drive Group, Main .....  | 2-62 |  |       |
| Fig. 30 - Brush Lift Group, Side .....   | 2-64 |  |       |
| Fig. 31 - Brush Motor and Pivot Group, Side ..                                       | 2-66 |  |       |
| Fig. 32 - Vacuum Fan Control Group .....   | 2-68 |  |       |
| Fig. 33 - Vacuum Fan Group .....   | 2-70 |  |       |
| Fig. 34 - Hopper Lift Arms Group .....   | 2-72 |  |       |
| Fig. 35 - Hopper Group .....   | 2-74 |  |       |
| Fig. 36 - Hopper Cover and Bumper Group ...  | 2-76 |  |       |
| Fig. 37 - Hopper Dump Door Group .....   | 2-78 |  |       |

**Fig. 1 - General Recommended Maintenance Items**

| Ref. | Part No. | Serial Number | Description                             | Qty. |
|------|----------|---------------|---|------|
| ▽    | 361236   | (000000-      | ) Maint Kit, Recirculation Flap         | 1    |
| ▲    | 360134   | (000000-      | ) Seal, Wrap, Rear Brush                | 1    |
| ▲    | 360136   | (000000-      | ) Flap Recirculation                    | 1    |
| ▽    | 361237   | (000000-      | ) Maint Kit, M Br Door Skirts           | 1    |
| ▲    | 360761   | (000000-      | ) Seal, Side, Lh                        | 1    |
| ▲    | 360784   | (000000-      | ) Seal, Side Rh                         | 1    |
| ▲    | 360786   | (000000-      | ) Skirt, Side Brush                     | 1    |
| ▲    | 72968    | (000000-      | ) Rivet, Plastic .250X.898              | 6    |
| ▽    | 361238   | (000000-      | ) Maint Kit, Hopper Door Skirts         | 1    |
| ▲    | 360603   | (000000-      | ) Seal Wrap, Dump Door                  | 1    |
| ▲    | 87689    | (000000-      | ) Sponge Cord                           | 1    |
| ▲    | 360844   | (000000-      | ) Seal, Dump Door, Side                 | 2    |
| ▲    | 360327   | (000000-      | ) Skirt, Lip                            | 1    |
| ▲    | 360336   | (000000-      | ) Seal, Dump Door, Top                  | 1    |
| ▽    | 361239   | (000000-      | ) Maint Kit, Dump Door Seals            | 1    |
| ▲    | 87181    | (000000-      | ) Seal, Top,Hopper                      | 1    |
| ▲    | 360782   | (000000-      | ) Skirt, Hopper                         | 2    |
| ▲    | 72968    | (000000-      | ) Rivet, Plastic .250X.898              | 19   |
| ▽    | 361242   | (000000-      | ) Maint Kit, Hoppr Filter & Seals       | 1    |
| ▲    | 1037207  | (000000-      | ) Filter, Panl, Dust, 3.6 X 20.0 X 30.0 | 1    |
| ▲    | 360199   | (000000-      | ) Seal, Spacer, Filter                  | 3    |
| ▽    | 361225   | (000000-      | ) Performance Pkg 400Hr Gas Liq         | 1    |
| ▲    | 361594   | (000000-      | ) Filter, Oil , Engine                  | 1    |
| ▲    | 361230   | (000000-      | ) Spark Plug                            | 3    |
| ▲    | 36050    | (000000-      | ) Filter, Fuel                          | 1    |
| ▲    | 55740    | (000000-      | ) Filter, Hydraulic Oil, Spin On        | 1    |
| ▲    | 361201   | (000000-      | ) Element, Air Filter                   | 1    |
| ▲    | 360991   | (000000-      | ) Cap, Breather, Hyd, 5.2 Ds            | 1    |
| ▲    | 361023   | (000000-      | ) Strainer, Hyd, 10gpm 100mesh Psi      | 1    |
| ▲    | 375047   | (000000-      | ) Belt, V, Alternator [Ku]              | 1    |
| ▲    | 387153   | (004342-      | ) Belt, V, 35.5l [3v, 3vx]              | 1    |
| ▽    | 361227   | (000000-      | ) Performance Pkg 400Hr Lp Liq          | 1    |
| ▲    | 361594   | (000000-      | ) Filter, Oil , Engine                  | 1    |
| ▲    | 361230   | (000000-      | ) Spark Plug                            | 3    |
| ▲    | 55740    | (000000-      | ) Filter, Hydraulic Oil, Spin On        | 1    |
| ▲    | 361201   | (000000-      | ) Element, Air Filter                   | 1    |
| ▲    | 360991   | (000000-      | ) Cap, Breather, Hyd, 5.2 Ds            | 1    |
| ▲    | 361023   | (000000-      | ) Strainer, Hyd, 10gpm 100mesh Psi      | 1    |
| ▲    | 375047   | (000000-      | ) Belt, V, Alternator [Ku]              | 1    |
| ▲    | 387153   | (004342-      | ) Belt, V, 35.5l [3v, 3vx]              | 1    |
|      | 16411    | (000000-      | ) Paint, Airdry, Off-White, 12oz        | 1    |
|      | 16412    | (000000-      | ) Paint, Airdry, Teal, 12oz, Solid      | 1    |
|      | 377540   | (000000-      | ) Paint, Airdry, Blk, 12oz              | 1    |
|      | 377538   | (000000-      | ) Paint, Airdry, Gray, 12oz             | 1    |
|      | 377537   | (000000-      | ) Paint, Airdry, Iron Gray, 12oz        | 1    |



Fig. 1 - General Recommended Maintenance Items

| Ref. | Part No. | Serial Number | Description                             | Qty. |
|------|----------|---------------|---|------|
| ▽    | 366070   | (000000-      | ) Yearly Maint Pkg 800hr Gas Liq        | 1    |
| ▲    | 361594   | (000000-      | ) Filter, Oil, Engine                   | 1    |
| ▲    | 361230   | (000000-      | ) Sparkplug                             | 6    |
| ▲    | 36050    | (000000-      | ) Filter, Fuel                          | 1    |
| ▲    | 55740    | (000000-      | ) Filter, Oil, Hyd                      | 2    |
| ▲    | 360991   | (000000-      | ) Breather, Hyd                         | 1    |
| ▲    | 361023   | (000000-      | ) Strainer, Hyd 10Gpm 100Mesh           | 1    |
| ▲    | 65869-1  | (000000-      | ) Oil, Hydr. Shp 15/40 1Gal             | 5    |
| ▲    | 1037207  | (000000-      | ) Filter, Panl, Dust, 3.6 X 20.0 X 30.0 | 1    |
| ▲    | 360199   | (000000-      | ) Seal, Spacer, Filter                  | 12   |
| ▲    | 360134   | (000000-      | ) Seal, Wrap, Rear Brush                | 2    |
| ▲    | 360136   | (000000-      | ) Flap, Recirculation                   | 2    |
| ▲    | 360761   | (000000-      | ) Seal, Side, Lh Hopper                 | 2    |
| ▲    | 360784   | (000000-      | ) Seal, Side Rh Hopper                  | 2    |
| ▲    | 360786   | (000000-      | ) Skirt, Side Brush                     | 2    |
| ▲    | 360603   | (000000-      | ) Seal, Wrap                            | 2    |
| ▲    | 87689    | (000000-      | ) Cord, Sponge                          | 2    |
| ▲    | 360844   | (000000-      | ) Seal, Dump Door, Side                 | 2    |
| ▲    | 360327   | (000000-      | ) Skirt, Lip                            | 2    |
| ▲    | 360336   | (000000-      | ) Seal, Dump Door, Top                  | 2    |
| ▲    | 287181   | (000000-      | ) Seal, Top,Hopper                      | 2    |
| ▲    | 360782   | (000000-      | ) Skirt, Hopper                         | 4    |
| ▲    | 360388   | (000000-      | ) Latch, Swell                          | 2    |
| ▲    | 36192    | (000000-      | ) Lanyard Assy                          | 2    |
| ▲    | 361144   | (000000-      | ) Key, Ignition                         | 1    |
| ▲    | 360079   | (000000-      | ) Cable                                 | 1    |
| ▲    | 360977   | (000000-      | ) Hose, Flexible                        | 1    |
| ▲    | 40870-8  | (000000-      | ) Hose, Vacuum, With Cuff               | 1    |
| ▲    | 361153   | (000000-      | ) Hose, Flexflyte, Formed               | 1    |
| ▲    | 375047   | (000000-      | ) Belt, V, Alternator [Ku]              | 1    |
| ▲    | 387153   | (004342-      | ) Belt, V, 35.5l [3v, 3vx]              | 1    |
| ▲    | 361201   | (000000-      | ) Element, Filter, Air                  | 4    |
| ▲    | 360979   | (000000-      | ) Seal, Vac Inlet                       | 1    |

# STANDARD PARTS

Fig. 1 - General Recommended Maintenance Items

| Ref. | Part No. | Serial Number | Description                           | Qty. |
|------|----------|---------------|---------------------------------------|------|
| ▽    | 366071   | (000000- )    | Yearly Maint Pkg 800hr Lp Liq         | 1    |
| ▲    | 361594   | (000000- )    | Filter, Oil, Engine                   | 8    |
| ▲    | 361230   | (000000- )    | Sparkplug                             | 6    |
| ▲    | 55740    | (000000- )    | Filter, Oil, Hyd                      | 1    |
| ▲    | 360991   | (000000- )    | Breather, Hyd                         | 1    |
| ▲    | 361023   | (000000- )    | Strainer, Hyd 10Gpm 100Mesh           | 1    |
| ▲    | 65869-1  | (000000- )    | Oil, Hydr. Shp 15/40 1Gal             | 5    |
| ▲    | 1037207  | (000000- )    | Filter, Panl, Dust, 3.6 X 20.0 X 30.0 | 1    |
| ▲    | 360199   | (000000- )    | Seal, Spacer, Filter                  | 12   |
| ▲    | 360134   | (000000- )    | Seal, Wrap, Rear Brush                | 2    |
| ▲    | 360136   | (000000- )    | Flap, Recirculation                   | 2    |
| ▲    | 360761   | (000000- )    | Seal, Side, Lh Hopper                 | 2    |
| ▲    | 360784   | (000000- )    | Seal, Side Rh Hopper                  | 2    |
| ▲    | 360786   | (000000- )    | Skirt, Side Brush                     | 2    |
| ▲    | 360603   | (000000- )    | Seal, Wrap                            | 2    |
| ▲    | 87689    | (000000- )    | Cord, Sponge                          | 2    |
| ▲    | 360844   | (000000- )    | Seal, Dump Door, Side                 | 2    |
| ▲    | 360327   | (000000- )    | Skirt, Lip                            | 2    |
| ▲    | 360336   | (000000- )    | Seal, Dump Door, Top                  | 2    |
| ▲    | 87181    | (000000- )    | Seal, Top,Hopper                      | 2    |
| ▲    | 360782   | (000000- )    | Skirt, Hopper                         | 4    |
| ▲    | 360388   | (000000- )    | Latch, Swell                          | 2    |
| ▲    | 36192    | (000000- )    | Lanyard Assy                          | 2    |
| ▲    | 361144   | (000000- )    | Key, Ignition                         | 1    |
| ▲    | 360079   | (000000- )    | Cable                                 | 1    |
| ▲    | 360977   | (000000- )    | Hose, Flexible                        | 1    |
| ▲    | 40870-8  | (000000- )    | Hose, Vacuum, With Cuff               | 1    |
| ▲    | 361153   | (000000- )    | Hose, Flexflyte, Formed               | 1    |
| ▲    | 375047   | (000000- )    | Belt, V, Alternator [Ku]              | 1    |
| ▲    | 387153   | (004342- )    | Belt, V, 35.5l [3v, 3vx]              | 1    |
| ▲    | 361201   | (000000- )    | Element, Filter, Air                  | 4    |
| ▲    | 360979   | (000000- )    | Seal, Vac Inlet                       | 1    |

Fig. 1 - General Recommended Maintenance Items

| Ref. | Part No. | Serial Number | Description                              | Qty. |
|------|----------|---------------|--|------|
| ▽    | 9001545  | (000000- )    | Maint Kit, 800hr [6400 Gas/Lpg,Liq Cool] | 1    |
| ▲    | 361594   | (000000- )    | Filter, Oil, Engine                      | 1    |
| ▲    | 361230   | (000000- )    | Sparkplug                                | 6    |
| ▲    | 36050    | (000000- )    | Filter, Fuel                             | 1    |
| ▲    | 55740    | (000000- )    | Filter, Oil, Hyd                         | 2    |
| ▲    | 360991   | (000000- )    | Breather, Hyd                            | 1    |
| ▲    | 361023   | (000000- )    | Strainer, Hyd 10Gpm 100Mesh              | 1    |
| ▲    | 65869-1  | (000000- )    | Oil, Hydr. Shp 15/40 1Gal                | 5    |
| ▲    | 1037207  | (000000- )    | Filter, Panl, Dust, 3.6 X 20.0 X 30.0    | 1    |
| ▲    | 360199   | (000000- )    | Seal, Spacer, Filter                     | 12   |
| ▲    | 360134   | (000000- )    | Seal, Wrap, Rear Brush                   | 2    |
| ▲    | 360136   | (000000- )    | Flap, Recirculation                      | 2    |
| ▲    | 360761   | (000000- )    | Seal, Side, Lh Hopper                    | 2    |
| ▲    | 360784   | (000000- )    | Seal, Side Rh Hopper                     | 2    |
| ▲    | 360786   | (000000- )    | Skirt, Side Brush                        | 2    |
| ▲    | 360603   | (000000- )    | Seal, Wrap                               | 2    |
| ▲    | 87689    | (000000- )    | Cord, Sponge                             | 2    |
| ▲    | 360844   | (000000- )    | Seal, Dump Door, Side                    | 2    |
| ▲    | 360327   | (000000- )    | Skirt, Lip                               | 2    |
| ▲    | 360336   | (000000- )    | Seal, Dump Door, Top                     | 2    |
| ▲    | 87181    | (000000- )    | Seal, Top,Hopper                         | 2    |
| ▲    | 360782   | (000000- )    | Skirt, Hopper                            | 4    |
| ▲    | 360388   | (000000- )    | Latch, Swell                             | 2    |
| ▲    | 36192    | (000000- )    | Lanyard Assy                             | 2    |
| ▲    | 361144   | (000000- )    | Key, Ignition                            | 1    |
| ▲    | 360079   | (000000- )    | Cable                                    | 1    |
| ▲    | 360977   | (000000- )    | Hose, Flexible                           | 1    |
| ▲    | 40870-8  | (000000- )    | Hose, Vacuum, With Cuff                  | 1    |
| ▲    | 361153   | (000000- )    | Hose, Flexflyte, Formed                  | 1    |
| ▲    | 375047   | (000000- )    | Belt, V, Alternator [Ku]                 | 1    |
| ▲    | 387153   | (004342- )    | Belt, V, 35.5l [3v, 3vx]                 | 1    |
| ▲    | 361201   | (000000- )    | Element, Filter, Air                     | 4    |
| ▲    | 360979   | (000000- )    | Seal, Vac Inlet                          | 1    |

# STANDARD PARTS

Fig. 1 - General Recommended Maintenance Items

| Ref. | Part No. | Serial Number | Description                           | Qty. |
|------|----------|---------------|---------------------------------------|------|
| ▽    | 9001546  | (000000- )    | Maint Kit, 800hr [6400 Lpg, Liq]      | 1    |
| ▲    | 361594   | (000000- )    | Filter, Oil, Engine                   | 8    |
| ▲    | 361230   | (000000- )    | Sparkplug                             | 6    |
| ▲    | 55740    | (000000- )    | Filter, Oil, Hyd                      | 1    |
| ▲    | 360991   | (000000- )    | Breather, Hyd                         | 1    |
| ▲    | 361023   | (000000- )    | Strainer, Hyd 10Gpm 100Mesh           | 1    |
| ▲    | 65869-1  | (000000- )    | Oil, Hydr. Shp 15/40 1Gal             | 5    |
| ▲    | 1037207  | (000000- )    | Filter, Panl, Dust, 3.6 X 20.0 X 30.0 | 1    |
| ▲    | 360199   | (000000- )    | Seal, Spacer, Filter                  | 12   |
| ▲    | 360134   | (000000- )    | Seal, Wrap, Rear Brush                | 2    |
| ▲    | 360136   | (000000- )    | Flap, Recirculation                   | 2    |
| ▲    | 360761   | (000000- )    | Seal, Side, Lh Hopper                 | 2    |
| ▲    | 360784   | (000000- )    | Seal, Side Rh Hopper                  | 2    |
| ▲    | 360786   | (000000- )    | Skirt, Side Brush                     | 2    |
| ▲    | 360603   | (000000- )    | Seal, Wrap                            | 2    |
| ▲    | 87689    | (000000- )    | Cord, Sponge                          | 2    |
| ▲    | 360844   | (000000- )    | Seal, Dump Door, Side                 | 2    |
| ▲    | 360327   | (000000- )    | Skirt, Lip                            | 2    |
| ▲    | 360336   | (000000- )    | Seal, Dump Door, Top                  | 2    |
| ▲    | 87181    | (000000- )    | Seal, Top,Hopper                      | 2    |
| ▲    | 360782   | (000000- )    | Skirt, Hopper                         | 4    |
| ▲    | 360388   | (000000- )    | Latch, Swell                          | 2    |
| ▲    | 36192    | (000000- )    | Lanyard Assy                          | 2    |
| ▲    | 361144   | (000000- )    | Key, Ignition                         | 1    |
| ▲    | 360079   | (000000- )    | Cable                                 | 1    |
| ▲    | 360977   | (000000- )    | Hose, Flexible                        | 1    |
| ▲    | 40870-8  | (000000- )    | Hose, Vacuum, With Cuff               | 1    |
| ▲    | 361153   | (000000- )    | Hose, Flexflyte, Formed               | 1    |
| ▲    | 375047   | (000000- )    | Belt, V, Alternator [Ku]              | 1    |
| ▲    | 387153   | (004342- )    | Belt, V, 35.5l [3v, 3vx]              | 1    |
| ▲    | 361201   | (000000- )    | Element, Filter, Air                  | 4    |
| ▲    | 360979   | (000000- )    | Seal, Vac Inlet                       | 1    |



Fig. 2 - Brushes, Replacement

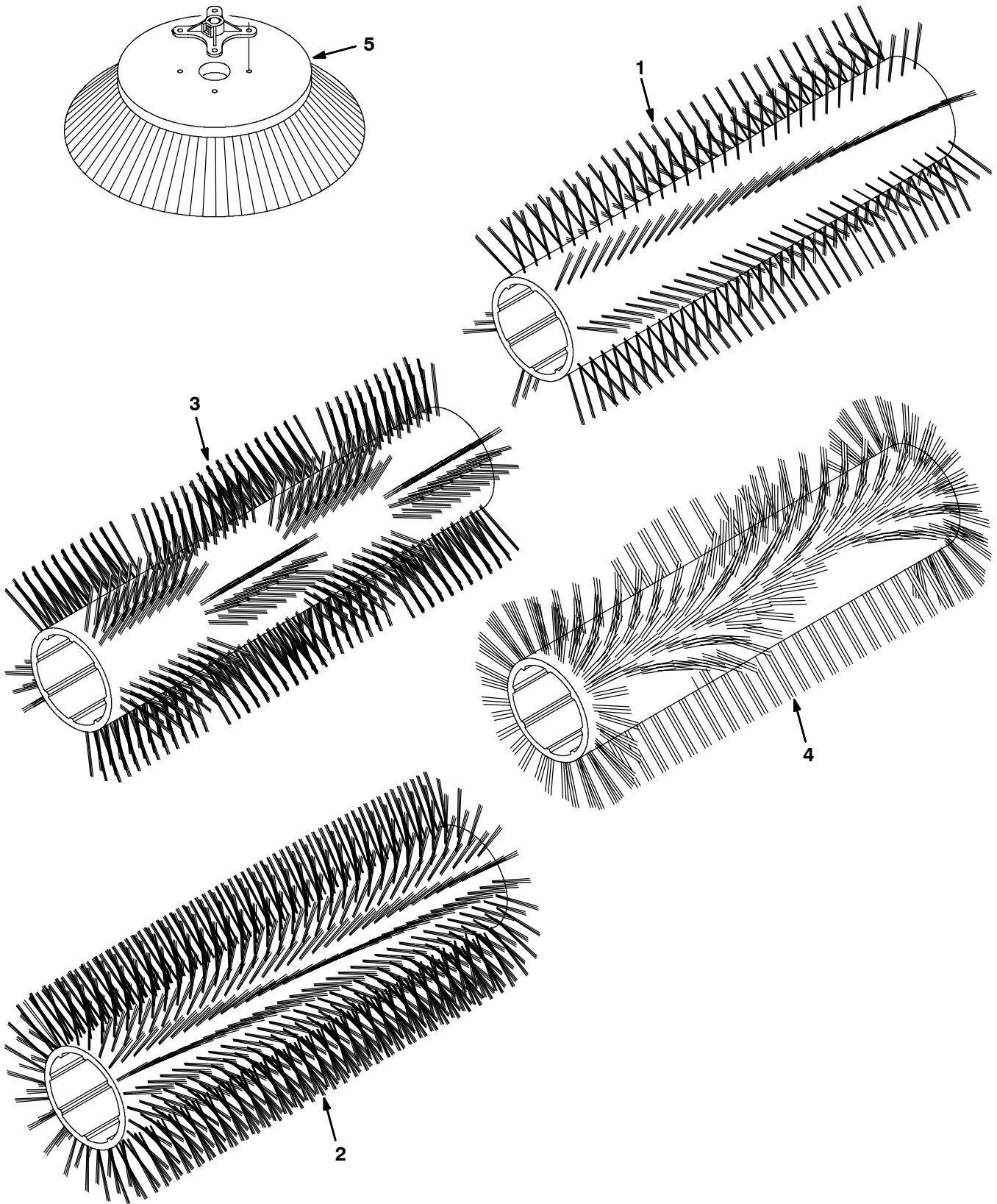


Fig. 2 - Brushes, Replacement

| Ref. | Part No. | Serial Number | Description                           | Qty. |
|------|----------|---------------|---------------------------------------|------|
| 1    | 87334    | (000000-      | ) Brush-Sweep, Polyester              | 1    |
| 1    | 87099    | (000000-      | ) Brush-Sweep, Polypropylene          | 1    |
| 1    | 87097    | (000000-      | ) Brush-Sweep, Polypropylene and Wire | 1    |
| 1    | 385947   | (000000-      | ) Brush-Sweep, Natural Fiber          | 1    |
| 2    | 87333    | (000000-      | ) Brush-Sweep, Polyester              | 1    |
| 3    | 370010   | (000000-      | ) Brush-Sweep, Window, Polypropylene  | 1    |
| 4    | 370025   | (000000-      | ) Brush-Sweep, Wedge, Polypropylene   | 1    |
| 5    | 08013N   | (000000-      | ) Brush-Side Swp, Soft Nylon          | 1    |
| 5    | 59431    | (000000-      | ) Brush-Side Swp, Polypropylene       | 1    |
| 5    | 59432    | (000000-      | ) Brush-Side Swp, Flatwire            | 1    |

Fig. 3 - Main Frame and Skirts Group

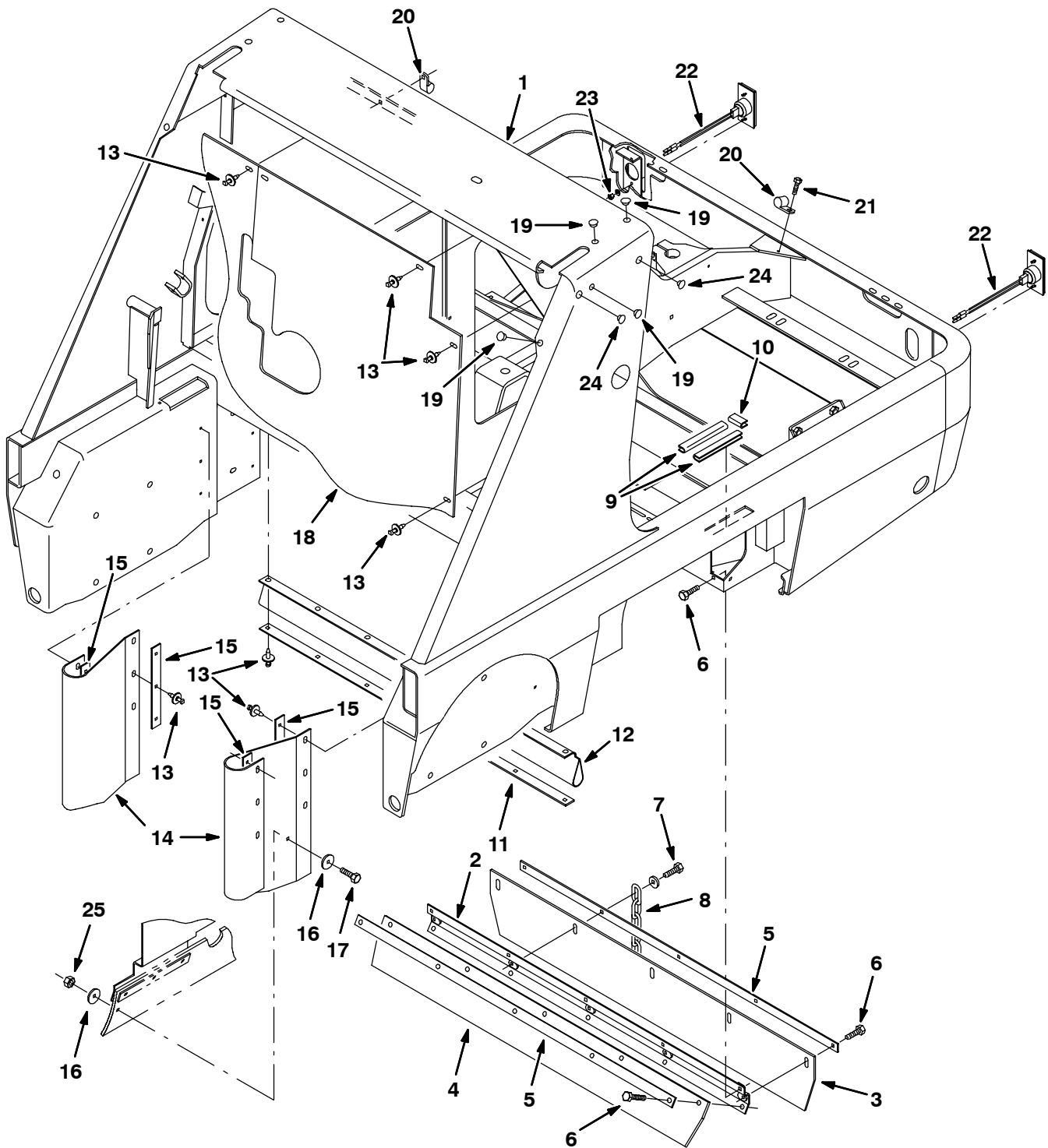




Fig. 3 - Main Frame and Skirts Group

| Ref. | Part No. | Serial Number | Description                      | Qty.               |   |
|------|----------|---------------|----------------------------------|--------------------|---|
| 1    | 360200   | (000000-      | ) Frame, Ic                      | 1                  |   |
| 2    | 360138   | (000000-      | ) Channel, Recirculation Flap    | 1                  |   |
| 3    | 360134   | (000000-      | ) Seal, Wrap, Rear Brush         | 1                  |   |
| 4    | 360136   | (000000-      | ) Flap Recirculation             | 1                  |   |
| 5    | 360137   | (000000-      | ) Strip, Retainer, Flap          | 2                  |   |
| 6    | 12273    | (000000-      | ) Scr-Hexssm 8X1.25 20 Nylnloc   | 14                 |   |
| 7    | 12333    | (000000-      | ) Scr-Hexssm 8X1.25 25 Nylnloc   | 1                  |   |
| 8    | 40758    | (000000-      | ) Chain,Link#2/08 5Links,Br.Zinc | 1                  |   |
| 9    | 57564    | (000000-      | ) Molding, Trim 11-14Ga 5.00     | 2                  |   |
| 10   | 361160   | (000000-      | ) Molding, Rigid                 | 1                  |   |
| 11   | 87180    | (000000-      | ) Retainer, Top Hopper Seal      | 1                  |   |
| 12   | 87181    | (000000-      | ) Seal, Top,Hopper               | 1                  |   |
| 13   | 72968    | (000000-      | ) Rivet, Plastic .250X.898       | 29                 |   |
| 14   | 360782   | (000000-      | ) Skirt, Hopper                  | 2                  |   |
| 15   | 360781   | (000000-      | ) Strip                          | 4                  |   |
| 16   | 30013    | (000000-      | ) Washer-Flt .31 Fender Pltd     | 2                  |   |
| 17   | 09010    | (000000-      | ) Scr Hexssm 8X1.25 25           | 1                  |   |
| 18   | 361121   | (000000-      | ) Seal, Firewall Ic              | 1                  |   |
| 19   | 02431    | (000000-      | ) Plugbtn .56H .03-12 Blacknyl   | 8                  |   |
| 20   | 67767    | (000000-      | ) Clamp-Cable,.69Dia. 62Wth      | 3                  |   |
| 21   | 74455    | (000000-      | ) Scr-Hx Fmgm 6X1.0 12           | 2                  |   |
| ▽    | 22       | 87346         | (000000-                         | ) Light Assy, Tail | 2 |
| ▲    |          | 87948         | (000000-                         | ) Bulb #194        | 1 |
| ▲    |          | 87949         | (000000-                         | ) Socket Assy      | 1 |
| 23   | 01713    | (000000-      | ) Nut-Hx Std 10-32 G2 Pltd       | 4                  |   |
| 24   | 361346   | (000000-      | ) Plug, Cap                      | 4                  |   |
| 25   | 08709    | (000000-      | ) Nut, Hex, Lock, M8 X 1.25, NI  | 1                  |   |

Fig. 4 - Brush Door Group, Right Side

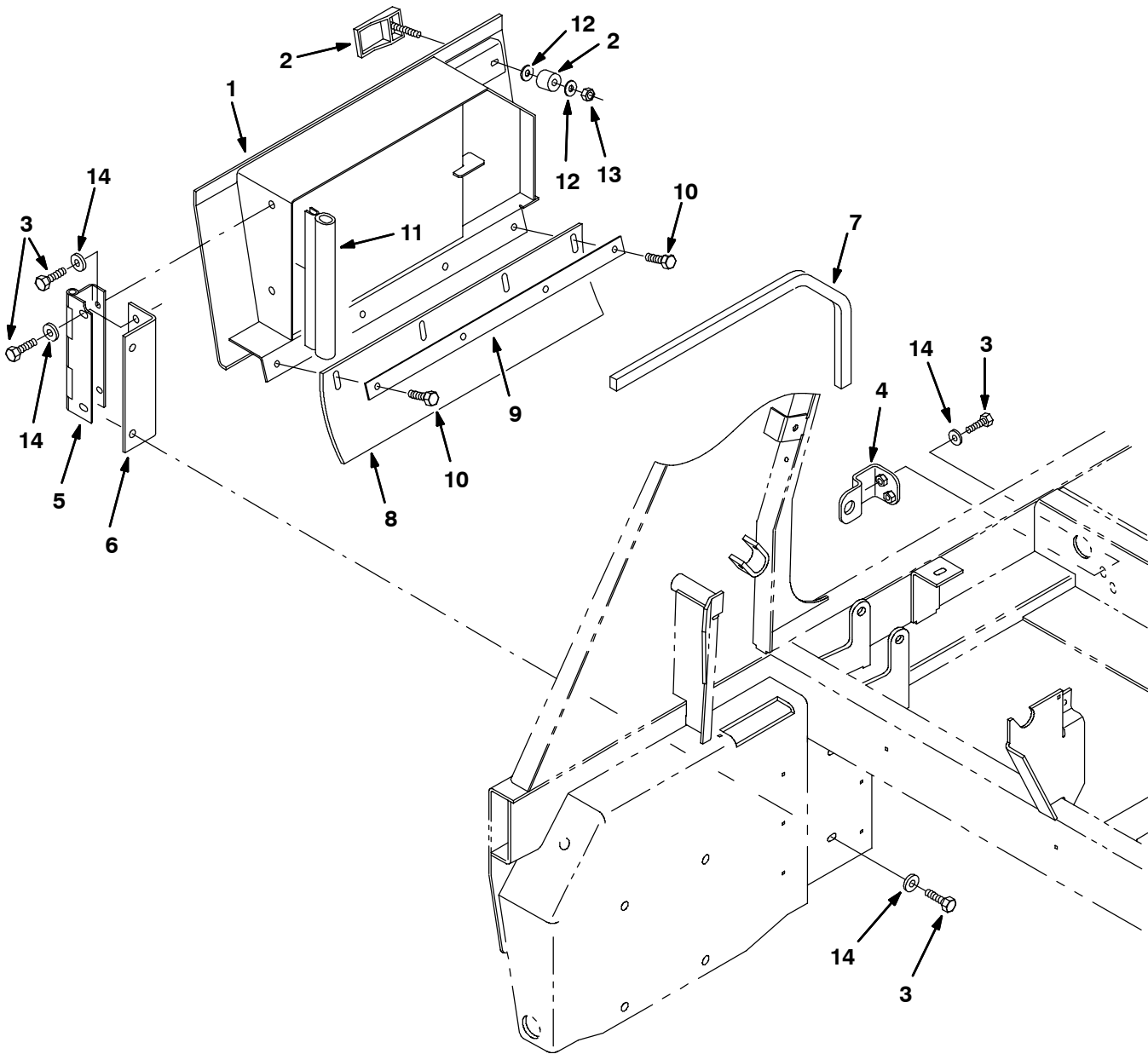


Fig. 4 - Brush Door Group, Right Side

| Ref. | Part No. | Serial Number | Description                             | Qty. |
|------|----------|---------------|---|------|
| 1    | 360395   | (000000-      | ) Door Wldt, Rh                         | 1    |
| 2    | 360388   | (000000-      | ) Latch, Swell                          | 1    |
| 3    | 09740    | (000000-      | ) Scr Hexssm 8X1.25                     | 8    |
| 4    | 360280   | (000000-      | ) Bracket, Stop, Brush Door             | 1    |
| 5    | 360283   | (000000-      | ) Hinge, Door, Brush                    | 1    |
| 6    | 360284   | (000000-      | ) Bracket, Hinge, Brush Door            | 1    |
| 7    | 360319   | (000000-      | ) Seal,Foam Rbr .375 1.25W 25.5L        | 1    |
| 8    | 360784   | (000000-      | ) Seal, Side Rh                         | 1    |
| 9    | 361306   | (000000-      | ) Strip, Retainer, Seal                 | 1    |
| 10   | 49826    | (000000-      | ) Scr-Hexssm 8X1.25 16 Nylon Loc        | 4    |
| 11   | 363502   | (000000-      | ) Seal, Bulb, Str, 0.50d .13grip 009.4l | 1    |
| 12   | 39349    | (000000-      | ) Washer, Flat, 0.31 Sae                | 2    |
| 13   | 32960    | (000000-      | ) Nut, Hex, Lock, .31-24, NI            | 1    |
| 14   | 32491    | (000000-      | ) Washer, Flat, 0.31 Std                | 8    |

Fig. 5 - Brush Door Group, Left Side

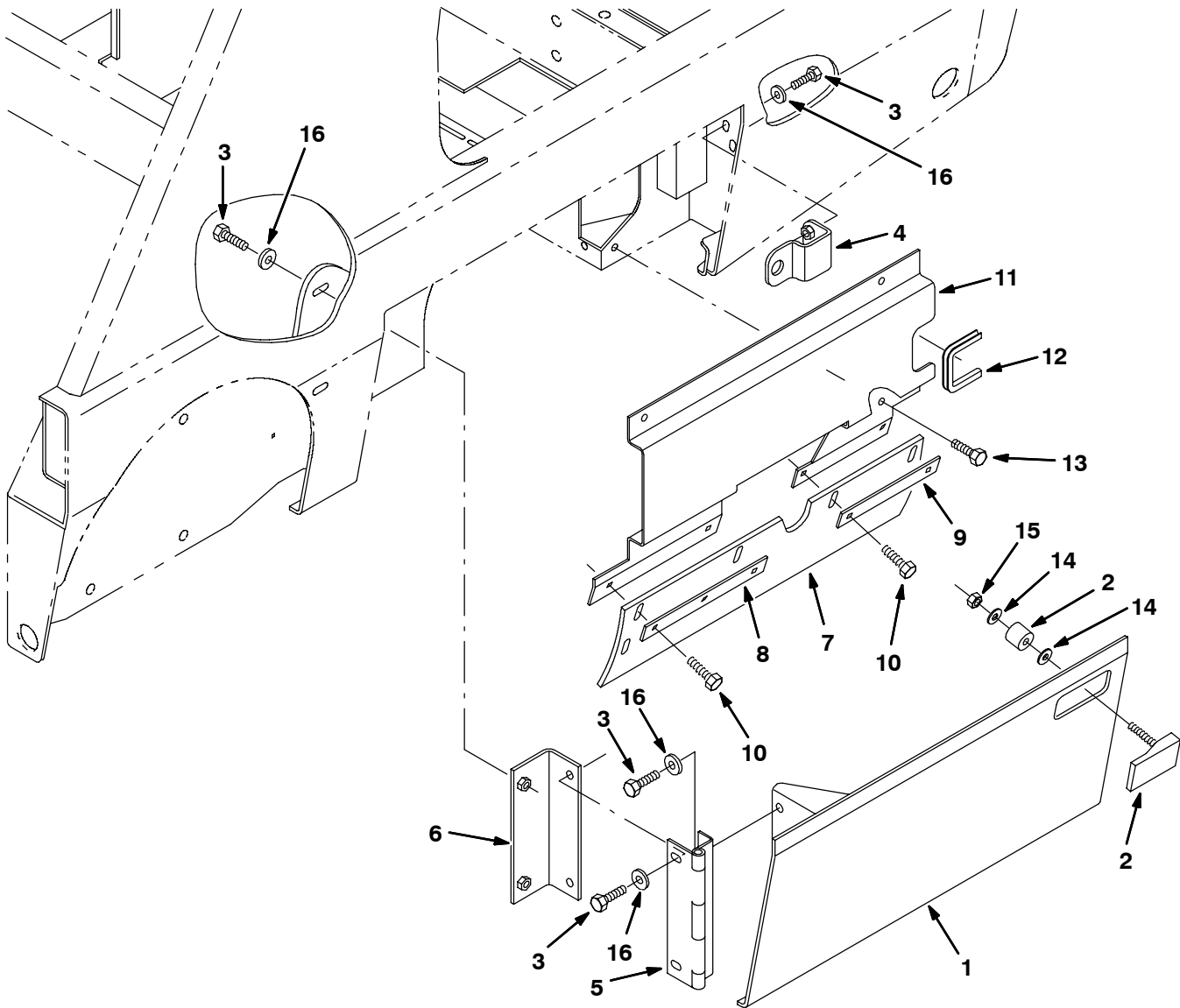


Fig. 5 - Brush Door Group, Left Side

| Ref. | Part No. | Serial Number | Description                      | Qty. |
|------|----------|---------------|----------------------------------|------|
| 1    | 360392   | (000000-      | ) Door Wldt, Lh                  | 1    |
| 2    | 360388   | (000000-      | ) Latch, Swell                   | 1    |
| 3    | 09740    | (000000-      | ) Scr Hexssm 8X1.25              | 8    |
| 4    | 360280   | (000000-      | ) Bracket, Stop, Brush Door      | 1    |
| 5    | 360283   | (000000-      | ) Hinge, Door, Brush             | 1    |
| 6    | 360284   | (000000-      | ) Bracket, Hinge, Brush Door     | 1    |
| 7    | 360761   | (000000-      | ) Seal, Side, Lh                 | 1    |
| 8    | 360781   | (000000-      | ) Strip                          | 1    |
| 9    | 360763   | (000000-      | ) Strip, Retainer, Seal          | 1    |
| 10   | 49826    | (000000-      | ) Scr-Hexssm 8X1.25 16 Nylon Loc | 4    |
| 11   | 360487   | (000000-      | ) Plate, Seal, Hyd Drive         | 1    |
| 12   | 57564    | (000000-      | ) Molding, Trim 11-14Ga 5.00     | 1    |
| 13   | 15675    | (000000-      | ) Scr Hexssm 8X1.25              | 5    |
| 14   | 39349    | (000000-      | ) Washer, Flat, 0.31 Sae         | 2    |
| 15   | 32960    | (000000-      | ) Nut, Hex, Lock, .31-24, NI     | 1    |
| 16   | 32491    | (000000-      | ) Washer, Flat, 0.31 Std         | 8    |

**Fig. 6 - Seat and Cover Group**

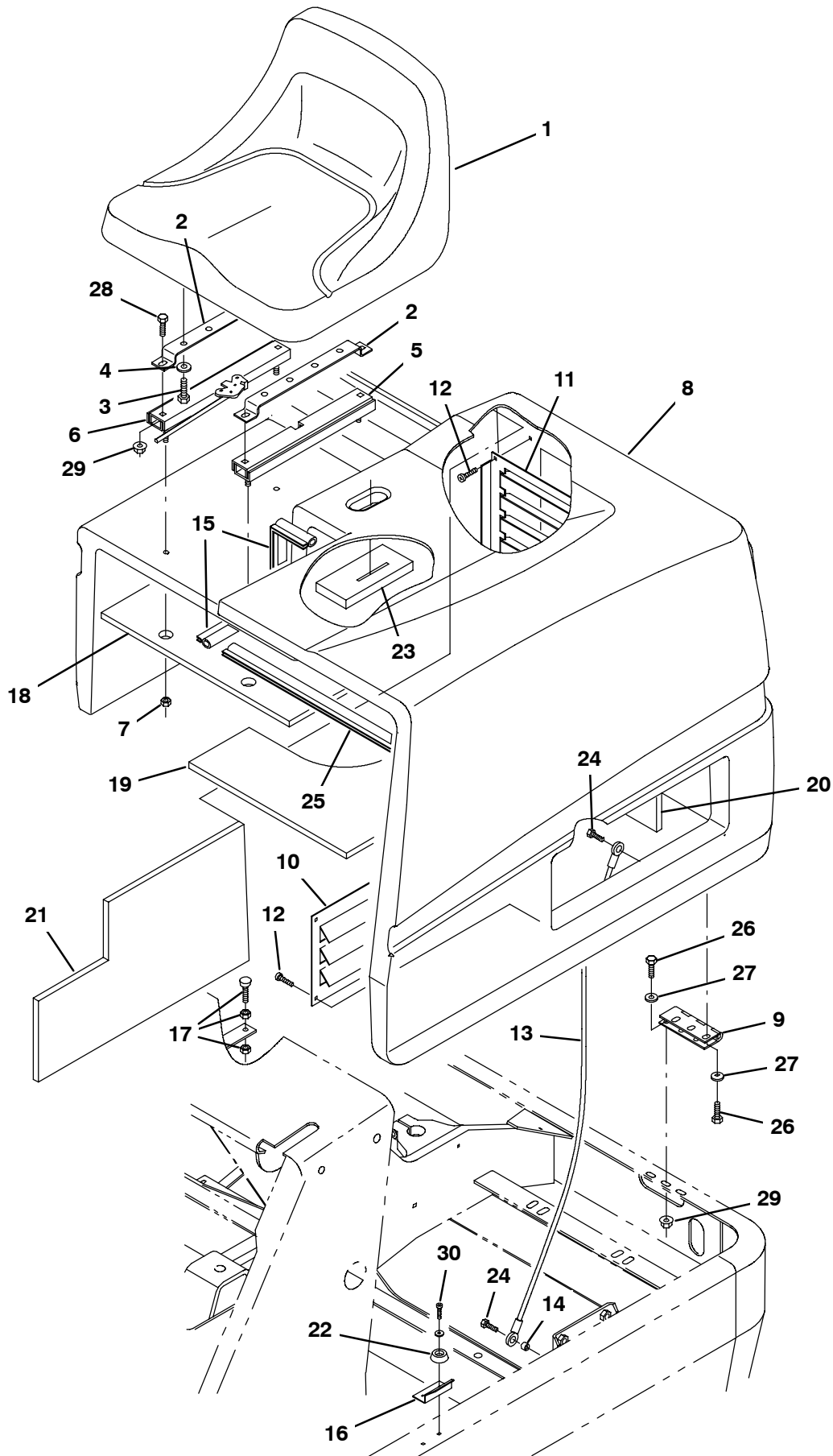


Fig. 6 - Seat and Cover Group

| Ref. | Part No. | Serial Number    | Description                              | Qty. |
|------|----------|------------------|--|------|
| 1    | 9005081  | (000000-005501 ) | Seat Kit, Std, Replmt [6400]             | 1    |
| 1    | 1048932  | (005502-         | Seat, Std [Michigan, Model V-2505]       | 1    |
| 2    | 360309   | (000000-005501 ) | Bracket, Seat Adjuster                   | 2    |
| 2    | 1045229  | (005502-         | Bracket, Seat Adjuster                   | 2    |
| 3    | 54395    | (000000-         | Screw, Hex, .31-18 X 0.62, 5             | 4    |
| 4    | 39349    | (000000-         | Washer, Flt, .31 Sae                     | 4    |
| 5    | 360369   | (000000-         | Rail, Slide, Seat                        | 1    |
| 6    | 360370   | (000000-         | Rail, Slide, Seat, W/Latch               | 1    |
| 7    | 01760    | (000000-         | Nut-Hxlocnyln .31-18 Thin Pltd           | 4    |
| 8    | 1014605  | (000000-         | Shroud, Rear [Trimmed, 6400]             | 1    |
| 9    | 360704   | (000000-         | Hinge                                    | 2    |
| 10   | 360342   | (000000-         | Panel, Louver                            | 1    |
| 11   | 360361   | (000000-         | Panel, Louver                            | 1    |
| 12   | 360973   | (000000-         | Scr-Pan 12 X.50 F/Plst PI                | 8    |
| 13   | 36192    | (000000-         | Lanyard Assy                             | 2    |
| 14   | 222516   | (000000-         | Sleeve,.31Bb.496D .312Ss                 | 2    |
| 15   | 391803   | (000000-         | Seal, Bulb, 90, 1.33 .06-.09grip 032.5l  | 1    |
| 16   | 361550   | (000000-         | Angle, Guide                             | 2    |
| 17   | 75128    | (000000-         | Spindle, Adjustment                      | 1    |
| 18   | 361345   | (000000-         | Insulation, Sound Foam                   | 1    |
| 19   | 361342   | (000000-         | Insulation, Sound Foam                   | 1    |
| 20   | 361344   | (000000-         | Insulation, Sound Foam                   | 1    |
| 21   | 361343   | (000000-         | Insulation, Sound Foam                   | 1    |
| 22   | 361554   | (000000-         | Bumper, Rubber                           | 2    |
| 23   | 361951   | (000000-         | Insulation, Sound Foam                   | 1    |
| 24   | 11329    | (000000-         | Scr Hexssm 6 X 1.0 16 Nyloc              | 2    |
| 25   | 10576    | (000000-         | Seal, Bulb, 90, 0.50d .06-.09grip 022.5l | 1    |
| 26   | 16931    | (000000-         | Screw, Hex, M8 X 1.25 X 20, 8.8          | 8    |
| 27   | 32491    | (000000-         | Washer, Flat, 0.31, Std                  | 8    |
| 28   | 16735    | (000000-         | Screw, Hex, M8 X 1.25 X 16, 8.8          | 4    |
| 29   | 07791    | (000000-         | Nut, Hex, Flng, M8 X 1.25                | 8    |
| 30   | 06927    | (000000-         | Screw, Pan, Phl, M4 X 0.70 X 16, 4.8     | 4    |

Fig. 7 - Rear Cover Latch Group

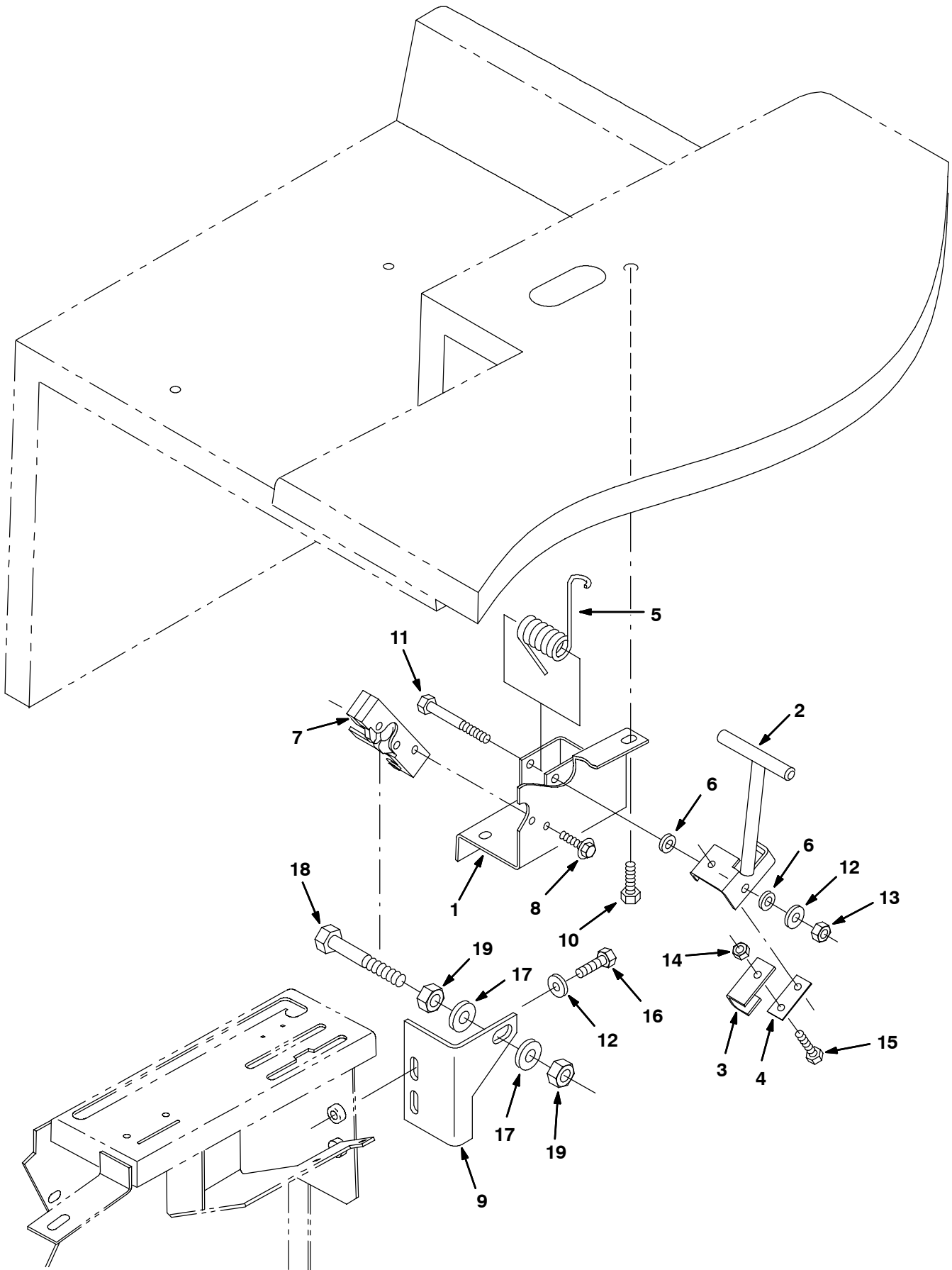




Fig. 7 - Rear Cover Latch Group

| Ref. | Part No. | Serial Number | Description                       | Qty. |
|------|----------|---------------|-----------------------------------|------|
| 1    | 360083   | (000000-      | ) Bracket Wldt, Latch             | 1    |
| 2    | 360831   | (000000-      | ) Latch Wldt, Shroud              | 1    |
| 3    | 361164   | (000000-      | ) Channel, Latch                  | 1    |
| 4    | 361165   | (000000-      | ) Spring, Latch                   | 1    |
| 5    | 87581    | (000000-      | ) Spring, Torsion                 | 1    |
| 6    | 43454    | (000000-      | ) Washer, .344B .69D .06Nylon     | 2    |
| 7    | 72439    | (000000-      | ) Latch                           | 1    |
| 8    | 16949    | (000000-      | ) Scr-Hex .25-20X0.75 Sems Pltd   | 2    |
| 9    | 360873   | (000000-      | ) Angle, Mtg, Latch Pin           | 1    |
| 10   | 15675    | (000000-      | ) Scr Hexssm 8 X 1.25 16          | 4    |
| 11   | 76960    | (000000-      | ) Screw, Hex, .31-18 X 2.25, G5   | 1    |
| 12   | 32491    | (000000-      | ) Washer, Flat, 0.31, Std         | 3    |
| 13   | 32983    | (000000-      | ) Nut, Hex, Lock, .31-18, NI      | 1    |
| 14   | 08708    | (000000-      | ) Nut, Hex, Lock, M6 X 1.00, NI   | 2    |
| 15   | 87308    | (000000-      | ) Screw, Hex, M6 X 1.00 X 12, 8.8 | 2    |
| 16   | 16931    | (000000-      | ) Screw, Hex, M8 X 1.25 X 20, 8.8 | 2    |
| 17   | 32486    | (000000-      | ) Washer Flat,0.50,Sae            | 2    |
| 18   | 27985    | (000000-      | ) Screw, Hex, .50-13 X 2.50, G5   | 1    |
| 19   | 32523    | (000000-      | ) Nut, Hex, Jam, .50-13           | 2    |

Fig. 8 - Operator Station Group

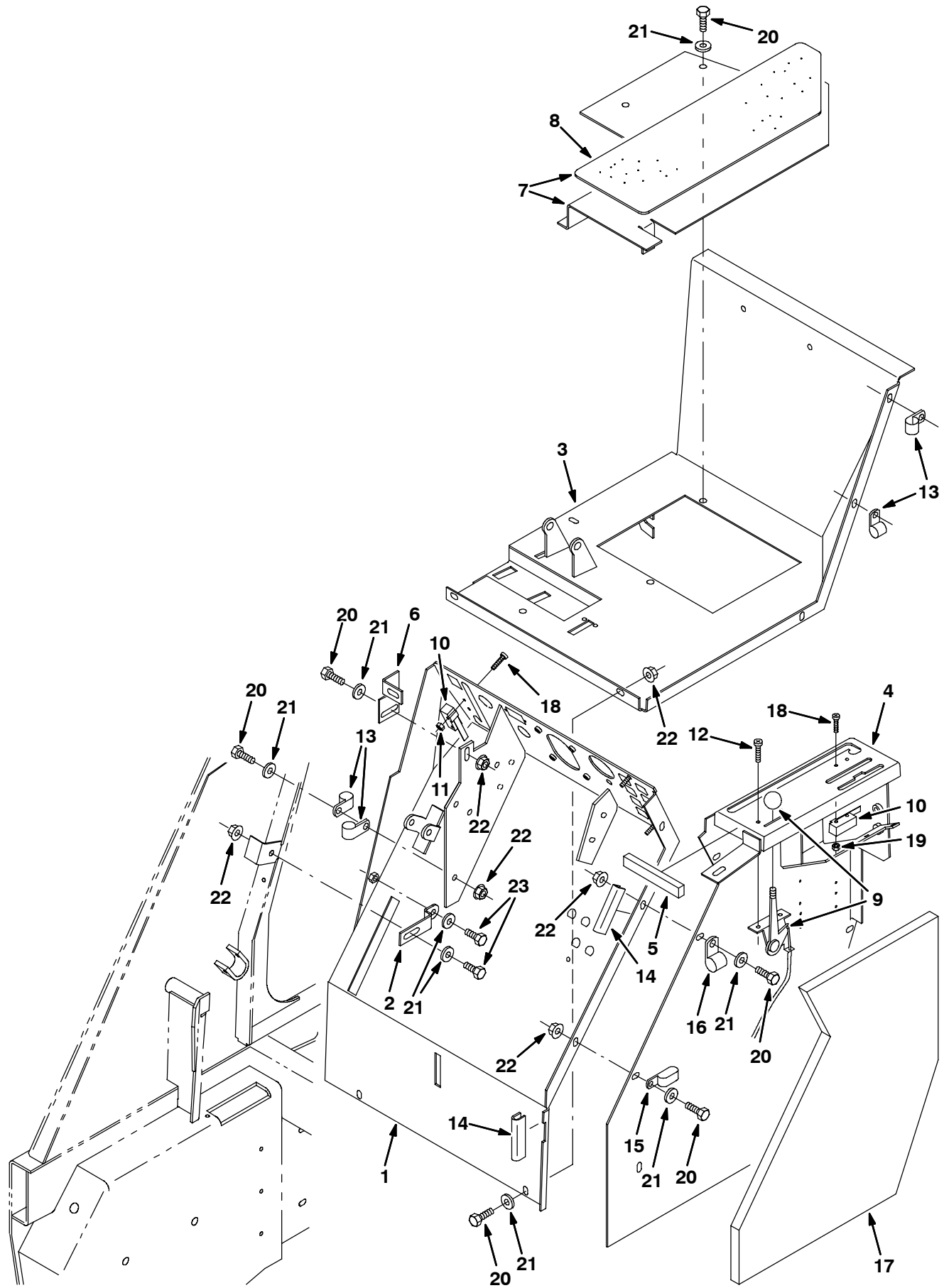


Fig. 8 - Operator Station Group

| Ref. | Part No. | Serial Number | Description                               | Qty.                     |   |
|------|----------|---------------|---|--------------------------|---|
| 1    | 360096   | (000000-      | ) Panel Wldt, Oper Station Instr          | 1                        |   |
| 2    | 360742   | (000000-      | ) Plate                                   | 1                        |   |
| 3    | 360713   | (000000-      | ) Panel Wldt, Oper Station Floor          | 1                        |   |
| 4    | 361293   | (000000-      | ) Panel Wldt, Oper, Ic W/Label            | 1                        |   |
| 5    | 360928   | (000000-      | ) Seal, Ure .50 X .75 X 5.0L              | 1                        |   |
| 6    | 360712   | (000000-      | ) Bracket, Angle                          | 1                        |   |
| ▽    | 7        | 361300        | (000000-                                  | ) Plate, Floor W/Tread   | 1 |
| ▲    | 8        | 360906        | (000000-                                  | ) Tread, Floor, 20.6 6.5 | 1 |
| 9    | 360465   | (000000-      | ) Cable, Throttle                         | 1                        |   |
| 10   | 1008142  | (000000-      | ) Switch, Snap Actn, 250vdc 25a Spdt      | 2                        |   |
| 11   | 01754    | (000000-      | ) Nut, Hex, Std, M3 X 0.5, 8              | 4                        |   |
| 12   | 02863    | (000000-      | ) Scr-Pnfmng 10 X 0.75 Type Ab            | 2                        |   |
| 13   | 67767    | (000000-      | ) Clamp-Cable,.69Dia. .62Wth              | 4                        |   |
| 14   | 13173    | (000000-      | ) Molding, Trim 3/16-5/16 5.0             | 2                        |   |
| 15   | 53468    | (000000-      | ) Clamp, Cable, Stl, 1.75d X 1.00w, 1hole | 1                        |   |
| 16   | 69234    | (000000-      | ) Clamp-Cable, 1.00Dia. .62Wth            | 1                        |   |
| 17   | 361950   | (000000-      | ) Insulation, Sound Foam, Side            | 1                        |   |
| 18   | 33933    | (000000-      | ) Screw, Pan, M3 X 0.5 X 25, Ss           | 4                        |   |
| 19   | 140282   | (000000-      | ) Nut Hex, Lock, M3 X 0.5, NI             | 2                        |   |
| 20   | 16931    | (000000-      | ) Screw, Hex, M8 X 1.25 X 20, 8.8         | 11                       |   |
| 21   | 32491    | (000000-      | ) Washer, Flat, 0.31 Std                  | 13                       |   |
| 22   | 07791    | (000000-      | ) Nut, Hex, Flng, M8 X 1.25               | 9                        |   |
| 23   | 16735    | (000000-      | ) Screw, Hex, M8 X 1.25 X 16, 8.8         | 2                        |   |

Fig. 9 - Instrument Panel Group, Gas

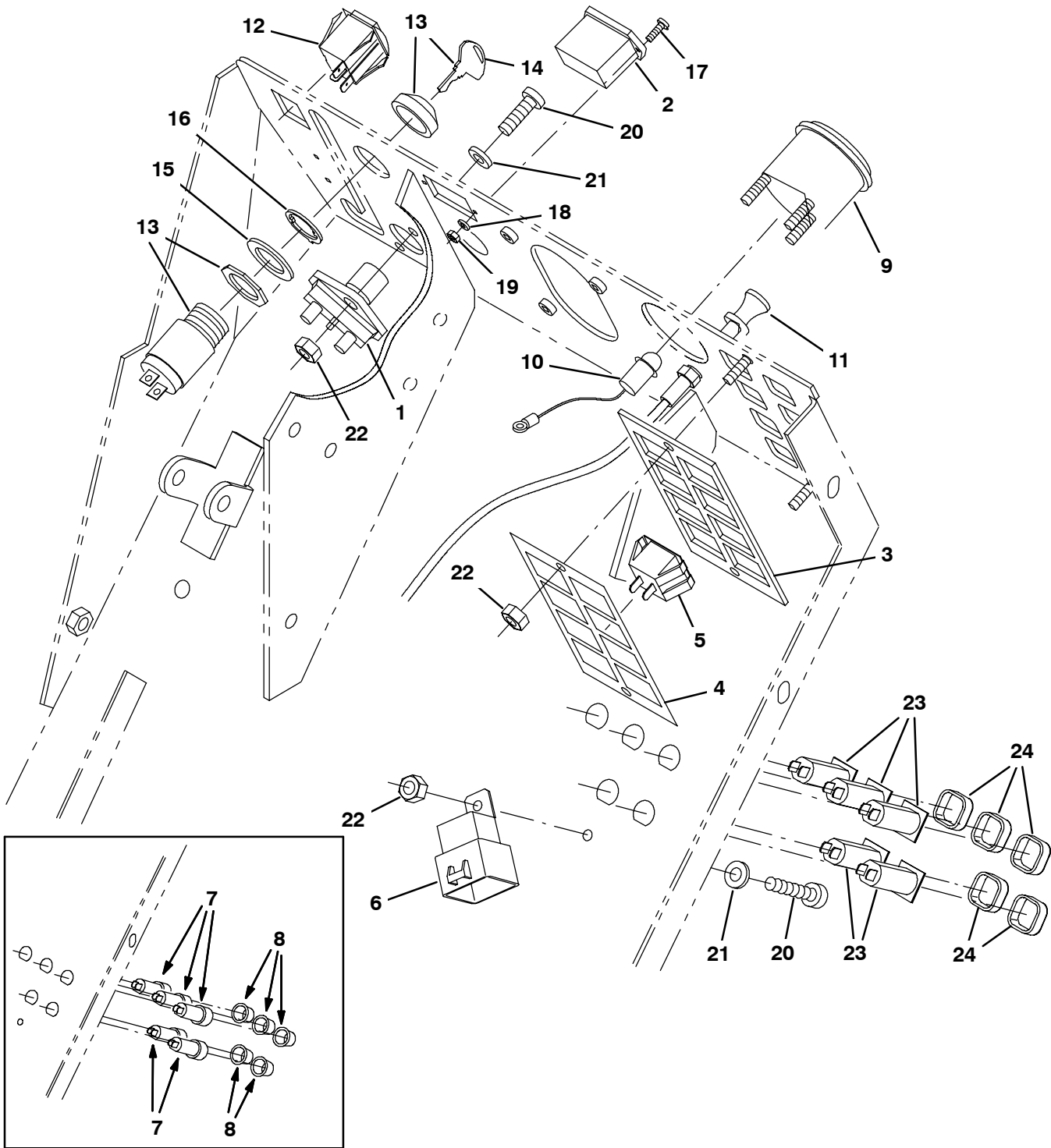


Fig. 9 - Instrument Panel Group, Gas

| Ref. | Part No. | Serial Number  | Description                                | Qty.                   |   |
|------|----------|----------------|--|------------------------|---|
| 1    | 44078    | (000000-       | ) Switch, Pushmom, Spst100A 12V            | 1                      |   |
| 2    | 222114   | (000000-001279 | ) Hourmeter                                | 1                      |   |
| 2    | 377324   | (001280-004619 | ) Gauge Kit, Hourmeter, F/31988 [10k]      | 1                      |   |
| 2    | 377433   | (004620-       | ) Gauge, Hourmeter, 12-60vdc, Analog [10k] | 1                      |   |
| 3    | 361072   | (000000-       | ) Seal, Foam                               | 1                      |   |
| 4    | 360773   | (000000-       | ) Plate, Mtg, Light                        | 1                      |   |
| 5    | 361075   | (000000-       | ) Lamp, Indicator 12 Volt                  | 4                      |   |
| 6    | 56186    | (000000-       | ) Relay, Shrouded, 12 Vdc                  | 1                      |   |
| 7    | 57803    | (000000-005447 | ) Breaker-Circuit, 15A Resetable           | 5                      |   |
| 8    | 57751    | (000000-005447 | ) Boot,Circuit Breaker                     | 5                      |   |
| 9    | 34813    | (000000-       | ) Fuel Gauge                               | 1                      |   |
| 10   | 60752    | (000000-       | ) Light Inst/Clr 12V                       | 1                      |   |
| 11   | 47313A   | (000000-       | ) Cable, Choke                             | 1                      |   |
| 12   | 360521   | (000000-       | ) Switch, Rocker, Spdt, 2 Pos              | 1                      |   |
| ▽    | 13       | 361076         | (000000-                                   | ) Switch, Ignition     | 1 |
| ▲    | 14       | 361144         | (000000-                                   | ) Key, Ignition Switch | 1 |
| 15   | 82226    | (000000-       | ) Washer,.91Bx1.38Dx0.064 Crs              | 1                      |   |
| 16   | 360969   | (000000-       | ) Washer-Loc Spec .886 Pltd                | 1                      |   |
| 17   | 09146    | (000000-       | ) Screw, Pan, M3 X 0.5 X 12, 4.8           | 2                      |   |
| 18   | 39658    | (000000-       | ) Washer, Lock, Int, #04                   | 2                      |   |
| 19   | 01754    | (000000-       | ) Nut, Hex, Std, M3 X 0.5, 8               | 2                      |   |
| 20   | 09164    | (000000-       | ) Screw, Pan, M6 X 1.0 X 20, 4.8           | 3                      |   |
| 21   | 19066    | (000000-       | ) Washer, Flat, #10                        | 4                      |   |
| 22   | 08708    | (000000-       | ) Nut, Hex, Lock, M6 X 1.0, NI             | 5                      |   |
| 23   | 1045858  | (005448-       | ) Circuitbreaker, 15a, Resetable           | 5                      |   |
| 24   | 1046173  | (005448-       | ) Boot, Circuitbreaker                     | 5                      |   |

Fig. 10 - Instrument Panel Group, LPG

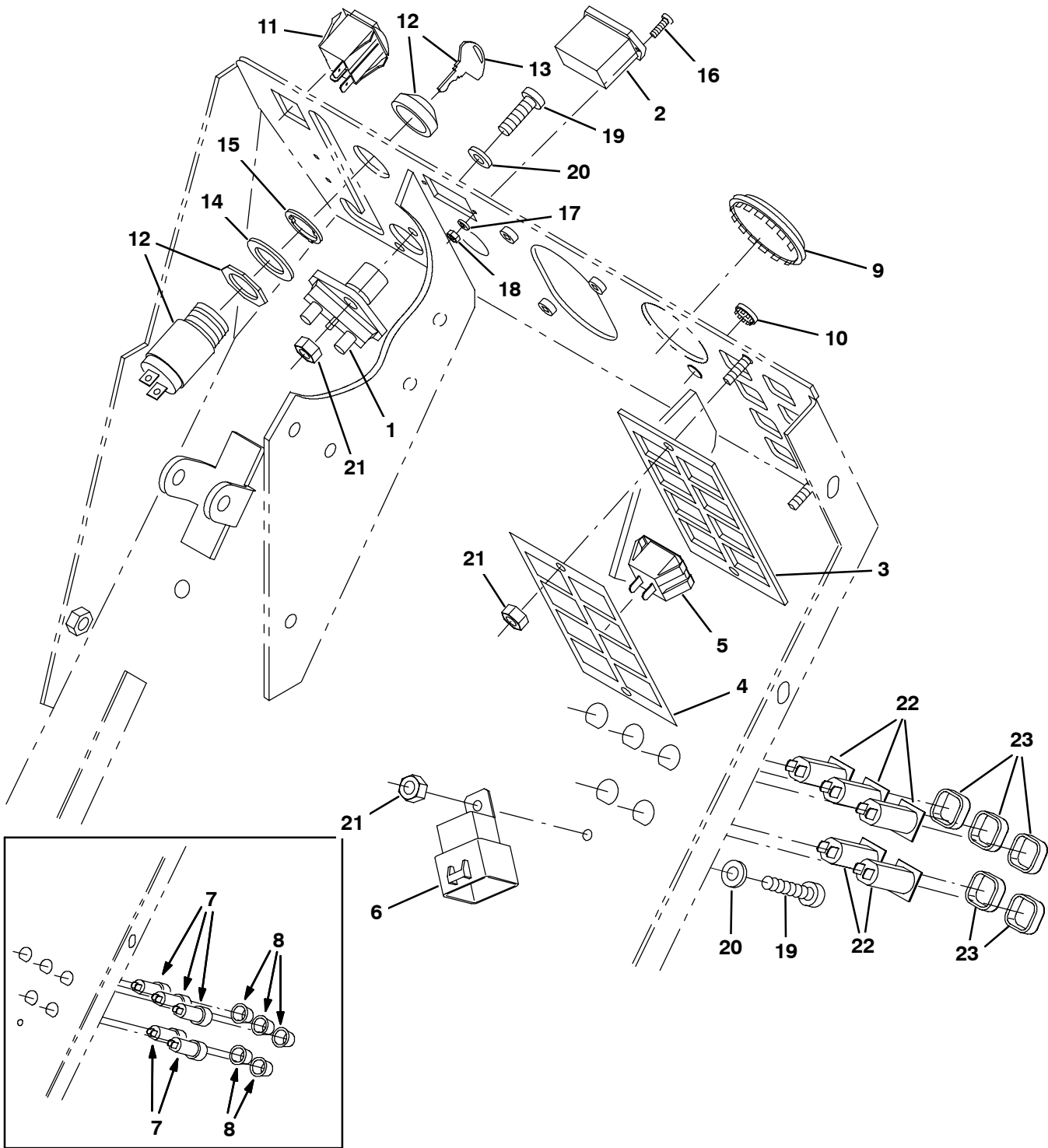


Fig. 10 - Instrument Panel Group, LPG

| Ref. | Part No. | Serial Number  | Description                                | Qty.                   |   |
|------|----------|----------------|--|------------------------|---|
| 1    | 44078    | (000000-       | ) Switch, Pushmom, Spst100A 12V            | 1                      |   |
| 2    | 222114   | (000000-001279 | ) Hourmeter                                | 1                      |   |
| 2    | 377324   | (001280-004619 | ) Gauge Kit, Hourmeter, F/31988 [10k]      | 1                      |   |
| 2    | 377433   | (004620-       | ) Gauge, Hourmeter, 12-60vdc, Analog [10k] | 1                      |   |
| 3    | 361072   | (000000-       | ) Seal, Foam                               | 1                      |   |
| 4    | 360773   | (000000-       | ) Plate, Mtg, Light                        | 1                      |   |
| 5    | 361075   | (000000-       | ) Lamp, Indicator 12 Volt                  | 5                      |   |
| 6    | 56186    | (000000-       | ) Relay, Shrouded, 12 Vdc                  | 1                      |   |
| 7    | 57803    | (000000-005447 | ) Breaker-Circuit, 15A Resetable           | 5                      |   |
| 8    | 57751    | (000000-005447 | ) Boot,Circuit Breaker                     | 5                      |   |
| 9    | 82747    | (000000-       | ) Plugbtn 2.09H .05-.06 Blackstl           | 1                      |   |
| 10   | 33807    | (000000-       | ) Plugbutton .44H                          | 1                      |   |
| 11   | 360521   | (000000-       | ) Switch, Rocker, Spdt, 2 Pos              | 1                      |   |
| ▽    | 12       | 361076         | (000000-                                   | ) Switch, Ignition     | 1 |
| ▲    | 13       | 361144         | (000000-                                   | ) Key, Ignition Switch | 1 |
| 14   | 82226    | (000000-       | ) Washer,.91Bx1.38Dx0.064 Crs              | 1                      |   |
| 15   | 360969   | (000000-       | ) Washer-Loc Spec .886 Pltd                | 1                      |   |
| 16   | 09146    | (000000-       | ) Screw, Pan, M3 X 0.5 X 12, 4.8           | 2                      |   |
| 17   | 39658    | (000000-       | ) Washer, Lock, Int, #04                   | 2                      |   |
| 18   | 01754    | (000000-       | ) Nut, Hex, Std, M3 X 0.5, 8               | 2                      |   |
| 19   | 09164    | (000000-       | ) Screw, Pan, M6 X 1.0 X 20, 4.8           | 3                      |   |
| 20   | 19066    | (000000-       | ) Washer, Flat, #10                        | 3                      |   |
| 21   | 08708    | (000000-       | ) Nut, Hex, Lock, M6 X 1.0, NI             | 5                      |   |
| 22   | 1045858  | (005448-       | ) Circuitbreaker, 15a, Resetable           | 5                      |   |
| 23   | 1046173  | (005448-       | ) Boot, Circuitbreaker                     | 5                      |   |

**Fig. 11 - Steering Wheel Group**

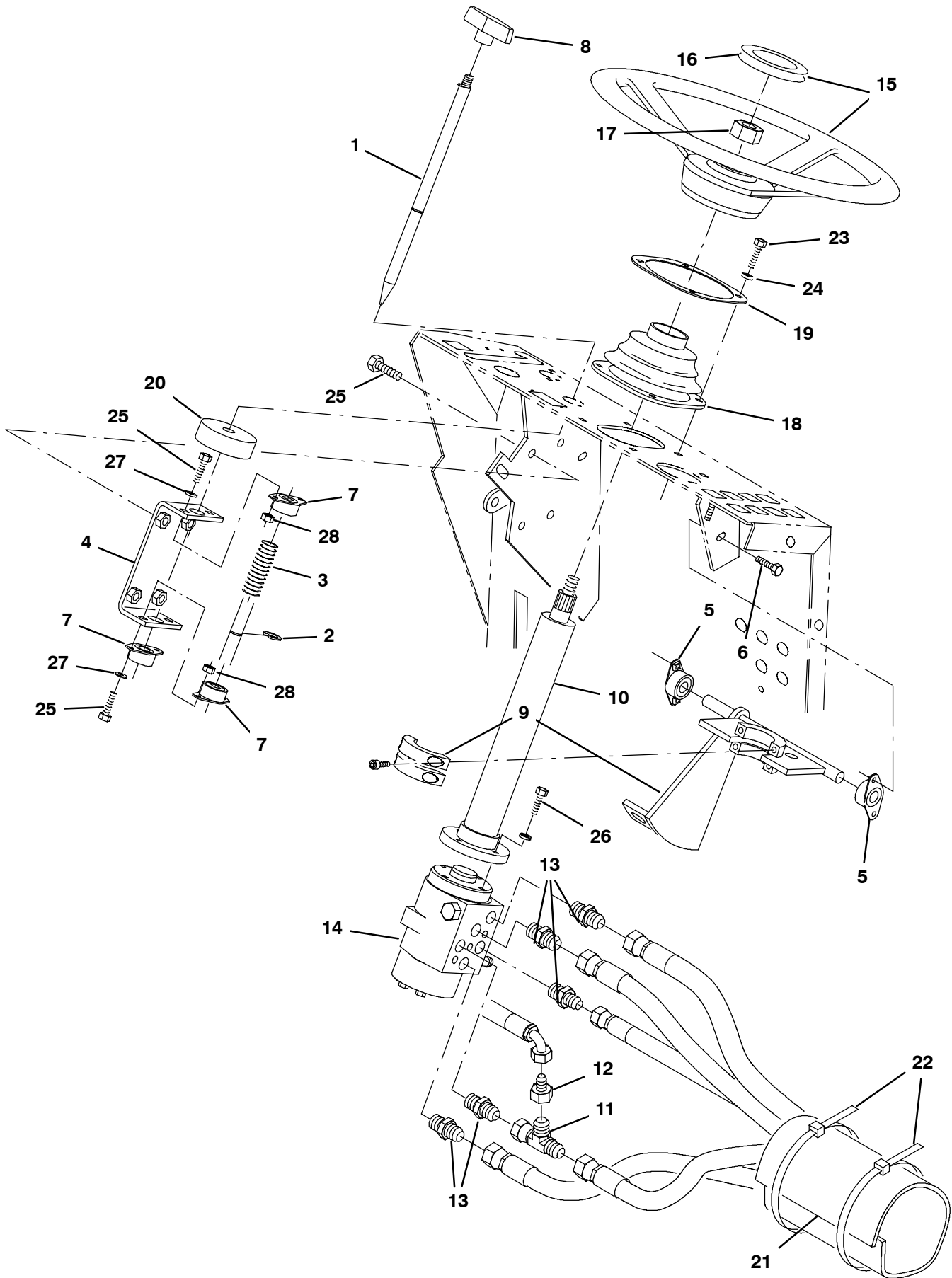




Fig. 11 - Steering Wheel Group

| Ref. | Part No. | Serial Number | Description                            | Qty.                       |   |
|------|----------|---------------|--|----------------------------|---|
| 1    | 360711   | (000000-      | ) Rod, Latch, Steering, Tilt           | 1                          |   |
| 2    | 70717    | (000000-      | ) Ring, Retain, Ex0.50Od,Heavydt       | 1                          |   |
| 3    | 22290    | (000000-      | ) Sprng,Comp,0.62Idx.06Wire 2.3L       | 1                          |   |
| 4    | 64655    | (000000-      | ) Channel, Mounting, Steering La       | 1                          |   |
| 5    | 70709    | (000000-      | ) Bearing, Flange .500B                | 2                          |   |
| 6    | 11329    | (000000-      | ) Scr-Hexssm 6X1.0 16 Nylonloc         | 4                          |   |
| 7    | 47585    | (000000-      | ) Bearing-Flange,2 Hole 0.50Bore       | 3                          |   |
| 8    | 04706    | (000000-      | ) Handle Lift Brush                    | 1                          |   |
| 9    | 73027    | (000000-      | ) Bracket Wldt, Steering, Tilt         | 1                          |   |
| 10   | 73061    | (000000-      | ) Column, Steering #2 10Lg Wire        | 1                          |   |
| 11   | 42215    | (000000-      | ) Ftg-Hyd Tee Jm06Jmjf                 | 1                          |   |
| 12   | 47752    | (000000-      | ) Ftg-Hyd Str Jm04/Jf06                | 1                          |   |
| 13   | 56690    | (000000-      | ) Ftg-Hyd Str Jm06/Om06                | 5                          |   |
| 14   | 71713    | (000000-      | ) Steer Control, Hyd (See Breakdowns)  | 1                          |   |
| ▽    | 15       | 56398         | (000000-                               | ) Wheel Steering 14DiAx36T | 1 |
| ▲    | 16       | 70218         | (000000-                               | ) Cap, Steering Wheel      | 1 |
| ▲    | 70219    | (000000-      | ) Insert, Steering Wheel               | 1                          |   |
| 17   | 56185    | (000000-      | ) Nut-Hx Jam, M20X1.5                  | 1                          |   |
| 18   | 70622    | (000000-      | ) Seal, Boot, Steering Column          | 1                          |   |
| 19   | 360867   | (000000-      | ) Plate, Mtg, Steering Boot            | 1                          |   |
| 20   | 75968    | (000000-      | ) Seal, Bearing                        | 1                          |   |
| 21   | 361250   | (000000-      | ) Skirt, Oil Defelction                | 1                          |   |
| 22   | 49263    | (000000-      | ) Tie Cable 3.00D Max 11.41Lg          | 3                          |   |
| 23   | 09145    | (000000-      | ) Screw, Pan, Phl, M6 X 1.00 X 16, 4.8 | 4                          |   |
| 24   | 19066    | (000000-      | ) Washer, Flat, 10                     | 4                          |   |
| 25   | 06943    | (000000-      | ) Screw, Hex, M6 X 1.00 X 20, 8.8      | 8                          |   |
| 26   | 06942    | (000000-      | ) Screw, Hex, M6 X 1.00 X 16, 8.8      | 4                          |   |
| 27   | 32483    | (000000-      | ) Washer, Flat, 0.25, Sae              | 4                          |   |
| 28   | 08708    | (000000-      | ) Nut, Hex, Lock, M6 X 1.00, NI        | 4                          |   |

**Fig. 12 - Engine and Mount Group, G/LP**

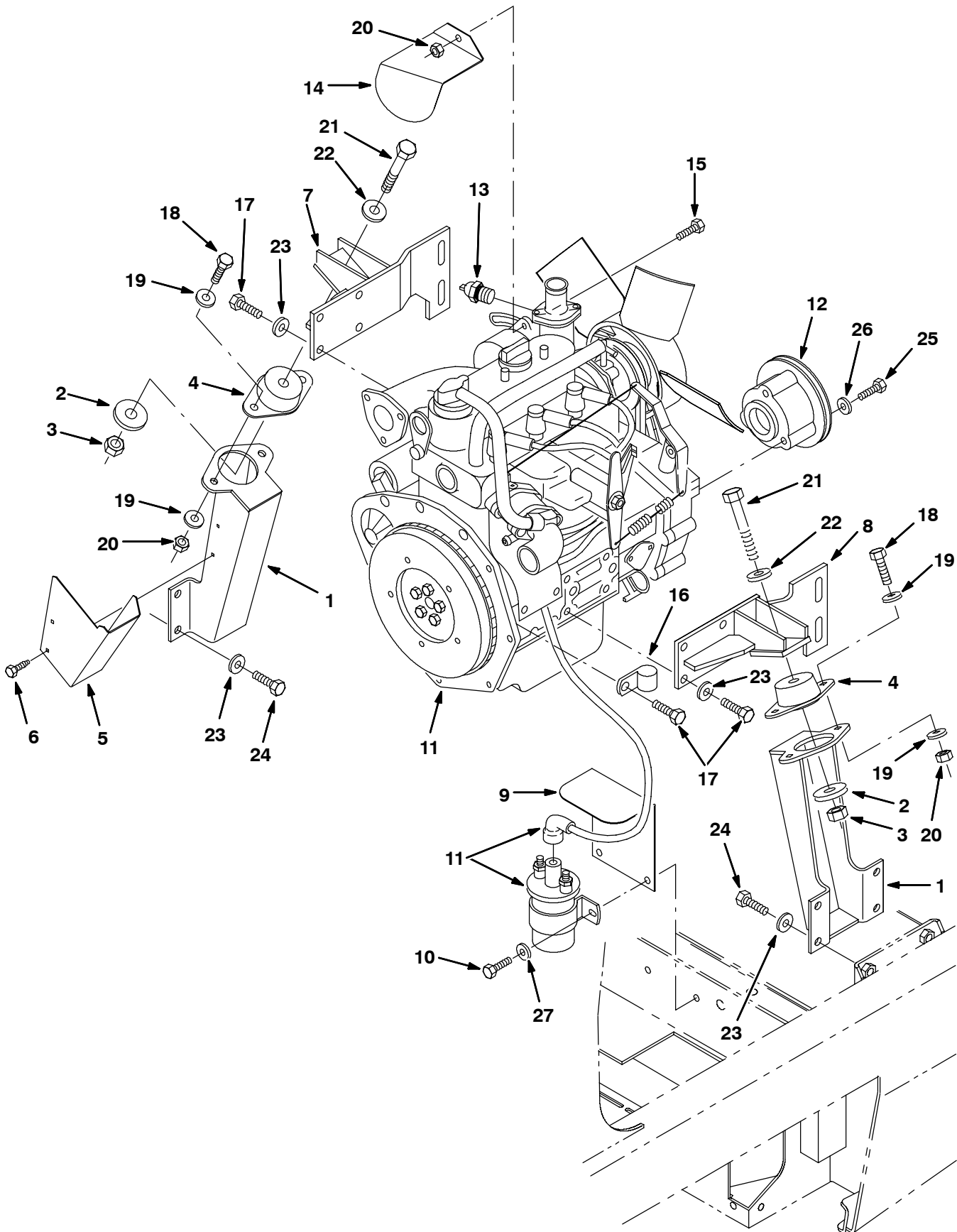


Fig. 12 - Engine and Mount Group, G/LP

| Ref. | Part No. | Serial Number  | Description                                   | Qty. |
|------|----------|----------------|---|------|
| 1    | 1017325  | (000000-       | ) Bracket, Mtg, Eng, Front                    | 2    |
| 2    | 51564    | (000000-       | ) Washer, .531B 1.75D .12Cr Zn                | 2    |
| 3    | 32985    | (000000-       | ) Nut, Hex, Lock, .50-13, NI                  | 2    |
| 4    | 360721   | (000000-       | ) Isolator, Rear                              | 2    |
| 5    | 361259   | (000000-       | ) Shield, Oil Filter                          | 1    |
| 6    | 74455    | (000000-       | ) Scr-Hx Fmgm 6X1.0 12                        | 2    |
| 7    | 360718   | (000000-       | ) Plate Wldt, Rear Mt, Rh, Gas                | 1    |
| 8    | 360719   | (000000-       | ) Plate Wldt, Rear Mt, Lh, Gas                | 1    |
| 9    | 361257   | (000000-       | ) Shield, Coil                                | 1    |
| 10   | 12459    | (000000-       | ) Screw, Hex, M06 X 1.0 X 20, Fmg             | 2    |
| 11   | 361283   | (000000-003426 | ) Engine, Gas, Kubota, (See Engine Breakdown) | 1    |
| 11   | 397695   | (003427-       | ) Engine, Gas, Kubota, (See Engine Breakdown) | 1    |
| 11   | 361244   | (000000-003415 | ) Engine, LPG, Kubota, (See Engine Breakdown) | 1    |
| 11   | 397696   | (003416-       | ) Engine, LPG, Kubota, (See Engine Breakdown) | 1    |
| 12   | 9001607  | (000000-004341 | ) Drive Kit, Vacfan, Ci [6400 G/Lpg]          | 1    |
| 12   | 1021540  | (004342-       | ) Sheave, Drive, Fan, Gas, Mach               | 1    |
| 13   | 9005789  | (000000-005539 | ) Switch Kit, Replmt, Thermostat, Eng         | 1    |
| 13   | 1050757  | (005540-       | ) Switch, Thermostat, Water                   | 1    |
| 14   | 361234   | (000000-       | ) Angle, Shield, Alternator                   | 1    |
| 15   | 04375    | (000000-       | ) Screw Hex M 8X1.25 40 Full Thd              | 1    |
| 16   | 69234    | (000000-       | ) Clamp-Cable, 1.00Dia. .62Wth                | 1    |
| 17   | 58286    | (000000-       | ) Scr-Hex M10X1.25 20 8.8 Pltd                | 9    |
| 18   | 39277    | (000000-       | ) Screw, Hex, M8 X 1.25 X 25, 8.8             | 4    |
| 19   | 32491    | (000000-       | ) Washer, Flat, 0.31 Std                      | 8    |
| 20   | 08709    | (000000-       | ) Nut, Hex, Lock, M8 X 1.25, NI               | 5    |
| 21   | 27985    | (000000-       | ) Screw, Hex, .50-13 X 2.50, 5                | 2    |
| 22   | 32486    | (000000-       | ) Washer, Flat, 0.50 Sae                      | 2    |
| 23   | 32492    | (000000-       | ) Washer, Flat, 0.38 Std                      | 16   |
| 24   | 06961    | (000000-       | ) Screw, Hex, M10 X 1.5 X 20, 8.8             | 8    |
| 25   | 39279    | (000000-       | ) Screw, Hex, M8 X 1.25 X 70, 8.8             | 3    |
| 26   | 39349    | (000000-       | ) Washer, Flat, 0.31 Sae                      | 3    |
| 27   | 32490    | (000000-       | ) Washer, Flat, 0.25, Std                     | 2    |

**Fig. 13 - Engine Flywheel Housing and Mount Group, G/LP**

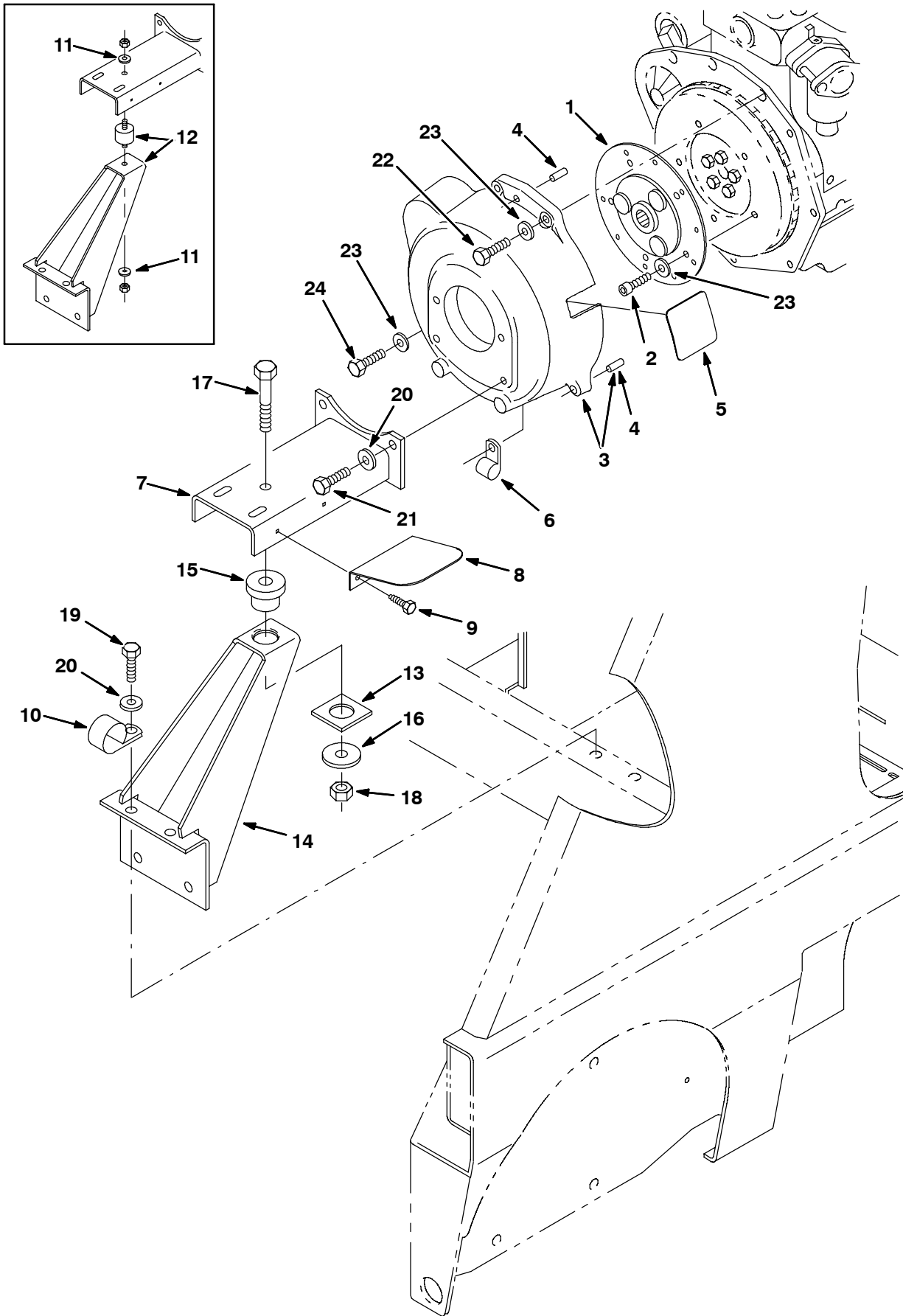


Fig. 13 - Engine Flywheel Housing and Mount Group, G/LP

| Ref. | Part No. | Serial Number  | Description                        | Qty.                           |   |
|------|----------|----------------|------------------------------------|--------------------------------|---|
| 1    | 361118   | (000000-       | ) Coupling Assy, Flywheel, Wg750   | 1                              |   |
| 2    | 39308    | (000000-       | ) Screw Soc M 8X1.25 25            | 5                              |   |
| ▽    | 3        | 360473         | (000000-                           | ) Housing, Flywheel, Gas, Mach | 1 |
| ▲    | 4        | 14296          | (000000-                           | ) Pin, Roll .31 X 0.75         | 2 |
| 5    | 360959   | (000000-       | ) Seal, Flywheel                   | 1                              |   |
| 6    | 40678-1  | (000000-       | ) Clamp-Cable, .88Dia .56Wth       | 1                              |   |
| 7    | 360732   | (000000-       | ) Channel Wldt                     | 1                              |   |
| 8    | 361260   | (000000-       | ) Shield, Battery                  | 1                              |   |
| 9    | 74455    | (000000-       | ) Scr-Hx Fmgm 6X1.0 12             | 2                              |   |
| 10   | 86328    | (000000-       | ) Clamp, Cable 1.5 Dia             | 1                              |   |
| 11   | 32984    | (000000-001138 | ) Washer-Loc Int .31 Pltd          | 2                              |   |
| 12   | 366067   | (000000-001138 | ) Eng Mtg Kit, Rear Gas Lp         | 1                              |   |
| 13   | 361980   | (001139-       | ) Spacer, Isolator                 | 1                              |   |
| 14   | 361924   | (001139-       | ) Angle Wldt, Front Mount, Gas     | 1                              |   |
| 15   | 51176    | (001139-       | ) Dampner, Engine                  | 1                              |   |
| 16   | 51564    | (001139-       | ) Washer, .531B 1.75D .12 Crzn     | 1                              |   |
| 17   | 06972    | (001139-       | ) Screw, Hex, M12 X 1.75 X 60, 8.8 | 1                              |   |
| 18   | 08711    | (000000-       | ) Nut, Hex, Lock, M12 X 1.75,NI    | 1                              |   |
| 19   | 06961    | (000000-       | ) Screw, Hex, M10 X 1.5 X 20, 8.8  | 4                              |   |
| 20   | 32492    | (000000-       | ) Washer, Flat, 0.38 Std           | 6                              |   |
| 21   | 21195    | (000000-       | ) Screw, Hex, .38-16 X 0.75, 5     | 2                              |   |
| 22   | 41342    | (000000-       | ) Screw, Hex, M8 X 1.25 X 40, 8.8  | 2                              |   |
| 23   | 39349    | (000000-       | ) Washer, Flat, 0.31 Sae           | 8                              |   |
| 24   | 76570    | (000000-       | ) Screw, Hex, M8 X 1.25 X 30, 8.8  | 2                              |   |

Fig. 14 - Engine Air Cleaner Group, G/LP

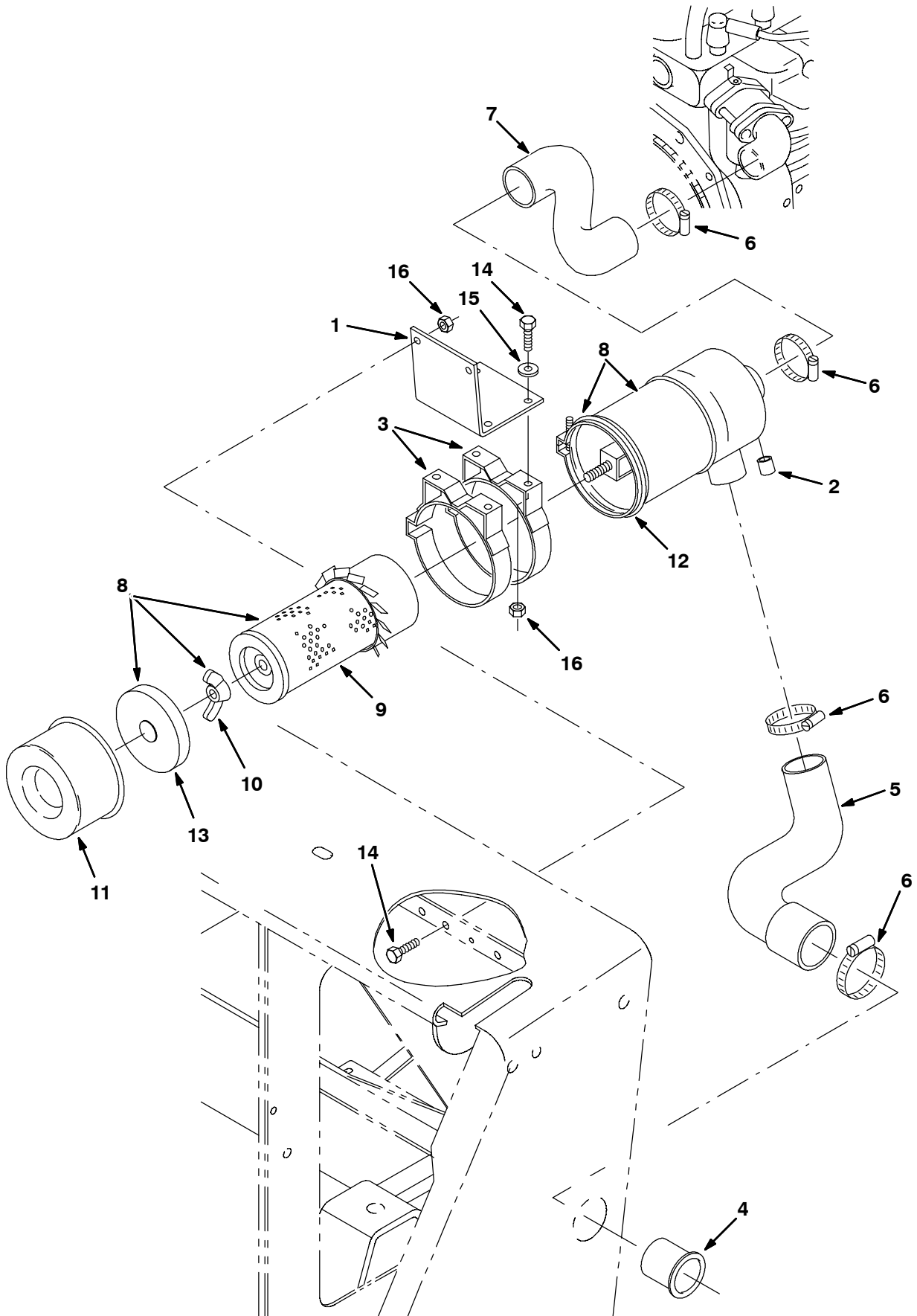


Fig. 14 - Engine Air Cleaner Group, G/LP

| Ref. | Part No. | Serial Number | Description                       | Qty.                  |   |
|------|----------|---------------|-----------------------------------|-----------------------|---|
| 1    | 360627   | (000000-      | ) Angle, Mtg, Air Cleaner         | 1                     |   |
| 2    | 60745    | (000000-      | ) Ftg Cap Npt 02Pf                | 1                     |   |
| 3    | 360708   | (000000-      | ) Band, Mtg, Air Cleaner          | 2                     |   |
| 4    | 58346    | (000000-      | ) Tube - Carb. Air Intake         | 1                     |   |
| 5    | 360833   | (000000-      | ) Hose, Air Intake                | 1                     |   |
| 6    | 22297    | (000000-      | ) Clamp-Wormdrive, 1.56- 2.50D L  | 4                     |   |
| 7    | 360371   | (000000-      | ) Hose, Molded, Intake, Gas/Lpg   | 1                     |   |
| ▽    | 8        | 360707        | (000000-                          | ) Air Cleaner Assy    | 1 |
| ▲    | 9        | 361201        | (000000-                          | ) Element, Air Filter | 1 |
| ▲    | 10       | 361323        | (000000-                          | ) Nut Assy Dn         | 1 |
| ▲    | 11       | 361325        | (000000-                          | ) Cup Assy Dn         | 1 |
| ▲    | 12       | 361324        | (000000-                          | ) Clamp Assy Dn       | 1 |
| 13   | 388426   | (000000-      | ) P102754 Baffle Dn               | 1                     |   |
| 14   | 16931    | (000000-      | ) Screw, Hex, M8 X 1.25 X 20, 8.8 | 6                     |   |
| 15   | 32490    | (000000-      | ) Washer, Flat, 0.25 Std          | 4                     |   |
| 16   | 07791    | (000000-      | ) Nut, Hex, Fing, M8 X 1.25       | 6                     |   |

**Fig. 15 - Engine Radiator Group, G/LP**

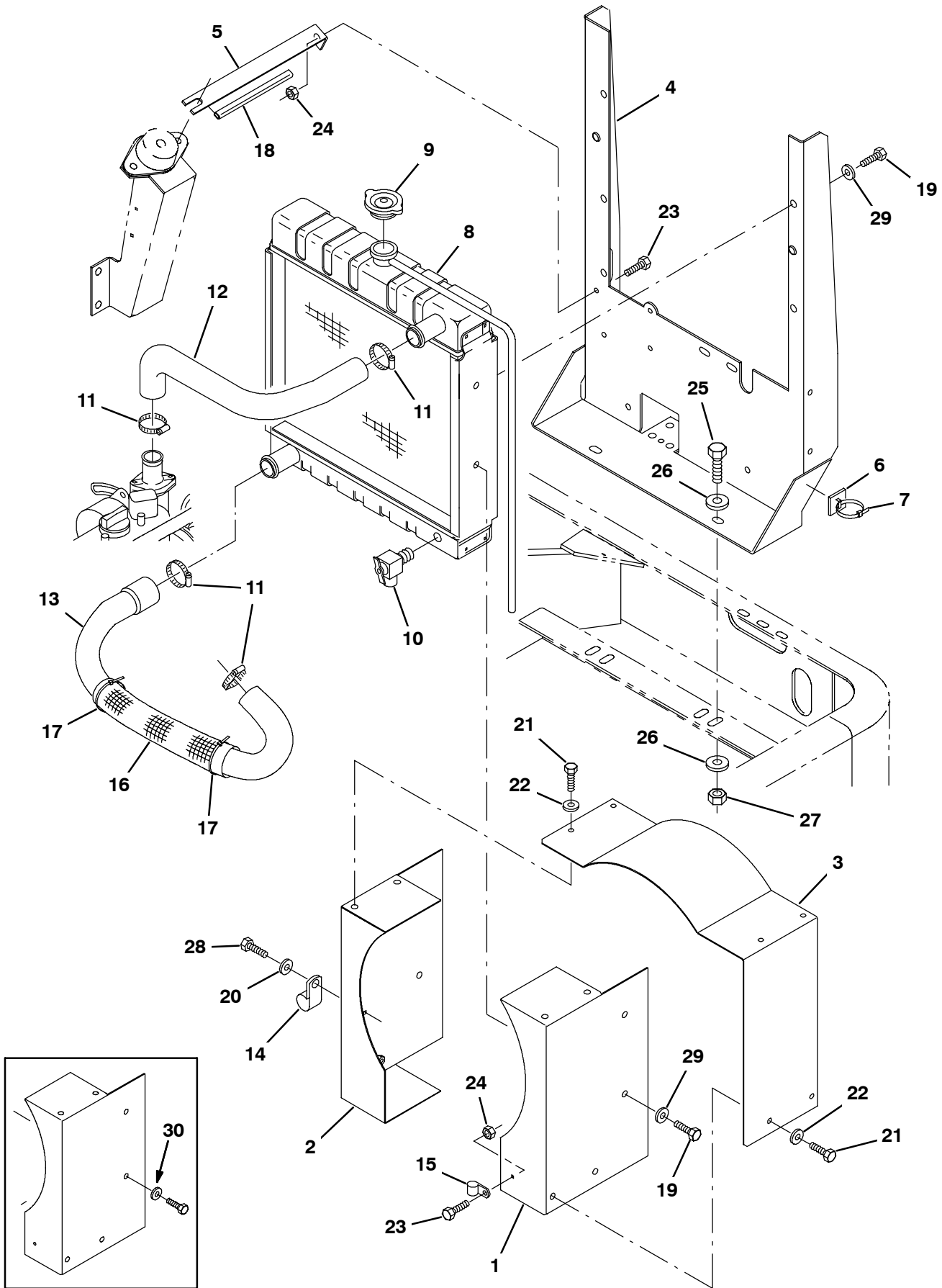




Fig. 15 - Engine Radiator Group, G/LP

| Ref. | Part No. | Serial Number  | Description                               | Qty. |
|------|----------|----------------|---|------|
| 1    | 360620   | (000000-       | ) Panel, Shroud                           | 1    |
| 2    | 360621   | (000000-       | ) Panel, Shroud                           | 1    |
| 3    | 361273   | (000000-       | ) Radiator Guard W/Label                  | 1    |
| 4    | 360799   | (000000-       | ) Angle, Radiator Mt                      | 1    |
| 5    | 360787   | (000000-       | ) Angle, Brace                            | 1    |
| 6    | 55248    | (000000-       | ) Cabletie Mount, Adhesive                | 2    |
| 7    | 49266    | (000000-       | ) Tie, Cable 1.75D Max 7.50Lg             | 2    |
| 8    | 360341   | (000000-004058 | ) Radiator                                | 1    |
| 8    | 1041869  | (004059-       | ) Radiator, Alm                           | 1    |
| 9    | 1045764  | (000000-       | ) Cap, Radiator, 14psi [Stant]            | 1    |
| 10   | 51305    | (000000-       | ) Drain Cock,.25Npt Wh#120 Angl           | 1    |
| 11   | 11399    | (000000-       | ) Clamp-Wormdrive, 0.81- 1.50D            | 4    |
| 12   | 360363   | (000000-       | ) Hose, Radiator, Upper                   | 1    |
| 13   | 360368   | (000000-       | ) Hose, Radiator, Lower G&Lpg             | 1    |
| 14   | 67767    | (000000-       | ) Clamp, Cable, Stl, 0.69D X 0.62w, 1hole | 1    |
| 15   | 40678    | (000000-       | ) Clamp,Cable .44D .62Wide                | 1    |
| 16   | 57224    | (000000-       | ) Sleeve, Nyl #37 16.0L                   | 1    |
| 17   | 49266    | (000000-       | ) Tie, Cable 1.75D Max 7.50Lg             | 2    |
| 18   | 62595-3  | (000000-       | ) Molding, Trim 11-14Ga 5.75              | 1    |
| 19   | 54394    | (000000-004058 | ) Screw, Hex, .31-18 X 0.50, 5            | 8    |
| 19   | 50388    | (004059-       | ) Screw, Hex, M8 X 1.25 X 12, 8.8         | 8    |
| 20   | 32490    | (000000-       | ) Washer, Flat, 0.25 Std                  | 1    |
| 21   | 06942    | (000000-       | ) Screw, Hex, M6 X 1.0 X 16, 8.8          | 6    |
| 22   | 19066    | (000000-       | ) Washer, Flat, #10                       | 6    |
| 23   | 16735    | (000000-       | ) Screw, Hex, M8 X 1.25 X 16, 8.8         | 2    |
| 24   | 07791    | (000000-       | ) Nut, Hex, Flng, M8 X 1.25               | 2    |
| 25   | 39283    | (000000-       | ) Screw, Hex, M10 X 1.50 X 25, 8.8        | 2    |
| 26   | 32492    | (000000-       | ) Washer, Flat, 0.38, Std                 | 4    |
| 27   | 41430    | (000000-       | ) Nut, Hex, Lock, M10 X 1.5, NI           | 2    |
| 28   | 06943    | (000000-       | ) Screw, Hex, M6 X 1.00 X 20, 8.8         | 1    |
| 29   | 39349    | (004059-       | ) Washer, Flat, 0.31, Sae                 | 8    |
| 30   | 32490    | (000000-004058 | ) Washer, Flat, 0.25 Std                  | 8    |

**Fig. 16 - Engine Fuel Tank Group, Gas**

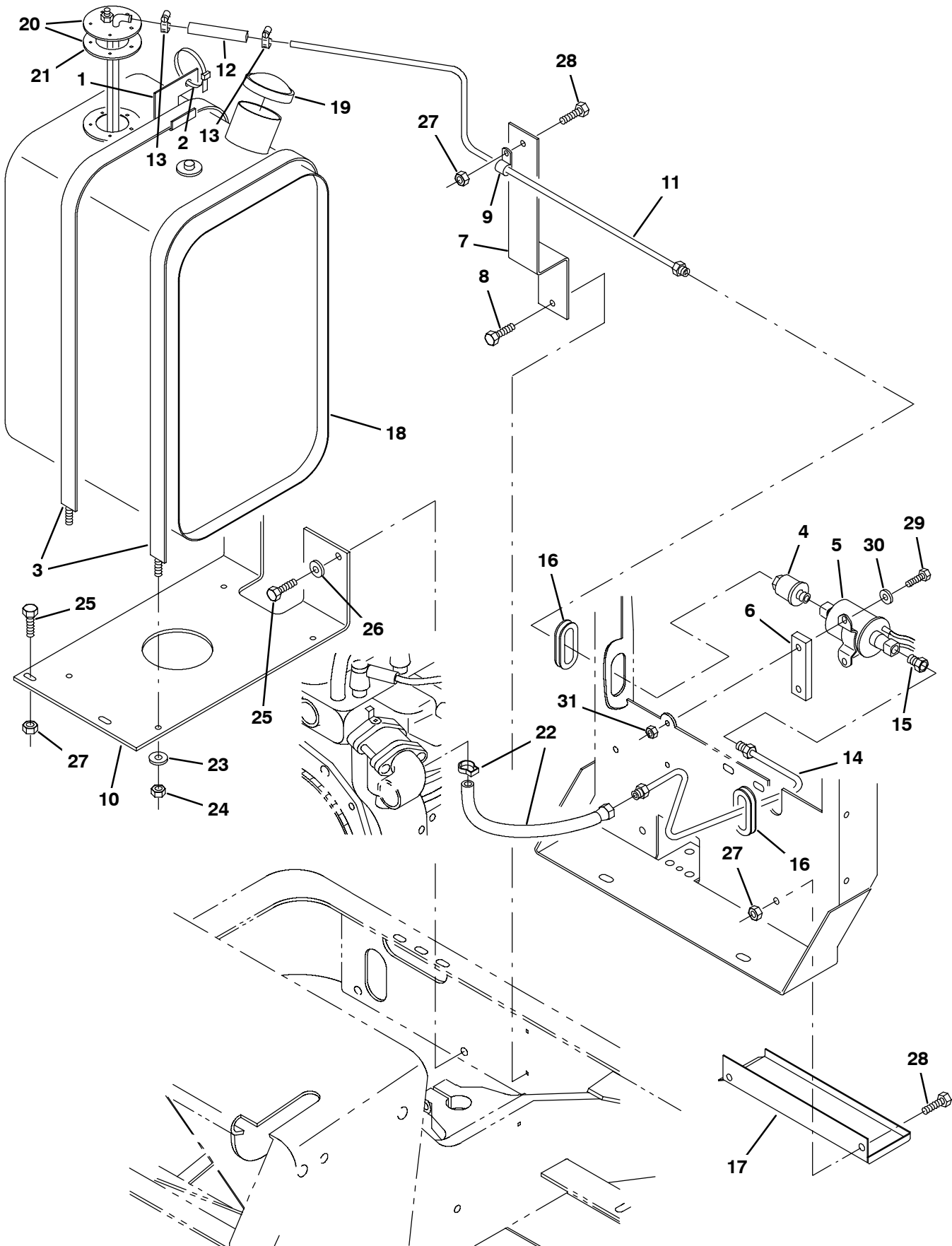


Fig. 16 - Engine Fuel Tank Group, Gas

| Ref. | Part No. | Serial Number | Description                      | Qty.                              |   |
|------|----------|---------------|----------------------------------|-----------------------------------|---|
| 1    | 70767    | (000000-      | ) Tab,Fuelline                   | 1                                 |   |
| 2    | 49266    | (000000-      | ) Tie, Cable 1.75D Max 7.50Lg    | 2                                 |   |
| 3    | 360098   | (000000-      | ) Strap Wldt, Fuel Tank          | 2                                 |   |
| 4    | 36050    | (000000-      | ) Filter, Fuel                   | 1                                 |   |
| 5    | 59015    | (000000-      | ) Pump, Fuel                     | 1                                 |   |
| 6    | 360877   | (000000-      | ) Spacer, Fuel Pump              | 1                                 |   |
| 7    | 360760   | (000000-      | ) Bracket, Support, Fuelline     | 1                                 |   |
| 8    | 74455    | (000000-      | ) Scr-Hx Fmgm 6X1.0 12           | 2                                 |   |
| 9    | 40678    | (000000-      | ) Clamp,Cable .44D .62Wide       | 2                                 |   |
| 10   | 360403   | (000000-      | ) Bracket, Mtg, Fuel Tank        | 1                                 |   |
| 11   | 360836   | (000000-      | ) Fuel Line, Die. Tank-Pump      | 1                                 |   |
| 12   | 81584    | (000000-      | ) Hose, Fuel, 0.31Id 05.0L       | 1                                 |   |
| 13   | 43844    | (000000-      | ) Clamp-Wormdrive, 0.25- 0.62D   | 2                                 |   |
| 14   | 360835   | (000000-      | ) Tube Assy, Fuel Line           | 1                                 |   |
| 15   | 40585    | (000000-      | ) Ftg-Brs Str lf05/Pm02          | 1                                 |   |
| 16   | 54345    | (000000-      | ) Grommet, Rbr1.62Id,For .13Matl | 2                                 |   |
| 17   | 361209   | (000000-      | ) Channel, Fuel Drip Shield      | 1                                 |   |
| ▽    | 18       | 361280        | (000000-                         | ) Tank, Fuel W/Label              | 1 |
| ▲    | 19       | 48267         | (000000-                         | ) Cap, Fuel                       | 1 |
| ▲▽   | 20       | 361113        | (000000-                         | ) 90 Ohm Sending Unit             | 1 |
| ▲▲   | 21       | 14131         | (000000-                         | ) Gasket, 2.7D 1.5B.12T 5/ 2.1Bc  | 1 |
|      | 22       | 361920        | (000000-                         | ) Hose Repl Kit, Special          | 1 |
|      | 23       | 32490         | (000000-                         | ) Washer, Flat, 0.25, Std         | 2 |
|      | 24       | 32981         | (000000-                         | ) Nut, Hex, Lock, .25-20, NI      | 2 |
|      | 25       | 16931         | (000000-                         | ) Screw, Hex, M8 X 1.25 X 20, 8.8 | 3 |
|      | 26       | 32491         | (000000-                         | ) Washer, Flat, 0.31, Std         | 2 |
|      | 27       | 07791         | (000000-                         | ) Nut, Hex, Flng, M8 X 1.25       | 4 |
|      | 28       | 16735         | (000000-                         | ) Screw, Hex, M8 X 1.25 X 16, 8.8 | 3 |
|      | 29       | 06943         | (000000-                         | ) Screw, Hex, M6 X 1.00 X 20, 8.8 | 2 |
|      | 30       | 19066         | (000000-                         | ) Washer, Flat, 10                | 4 |
|      | 31       | 08708         | (000000-                         | ) Nut, Hex, Lock, M6 X 1.00, NI   | 2 |



Fig. 17 - Engine Fuel Tank Group, LPG

| Ref. | Part No. | Serial Number | Description  | Qty. |
|------|----------|---------------|--|------|
|      | 1        | 366103        | (000000- ) Bracket Wldt, Lpg Mount                       | 1    |
| ▽    | 2        | 53400-1       | (000000- ) Latch Assy, Lpg Tank Mtg,W/Nut                | 1    |
| ▲    | 3        | 53400-4       | (000000- ) Nut, Adjustable, Lpg Tank Mtg                 | 1    |
|      | 4        | 361264        | (000000-001039 ) Bracket, Lpg Tank                       | 1    |
|      | 5        | 361275        | (000000- ) Plate Wldt, Mount, Lpg W/Label                | 1    |
|      | 6        | 26496         | (000000- ) Coupling, Quick Disc. Shwd                    | 1    |
|      | 7        | 47720         | (000000- ) Fitting, Hyd, E45, Pf04/Pm04                  | 1    |
|      | 8        | 10754         | (000000- ) Hose Lpg,4Lpg 24In.Lg L                       | 1    |
|      | 9        | 56976A        | (000000- ) Ftg-Tee Npt 04Pm- 04Pf- 04Pf                  | 1    |
|      | 10       | 59892         | (000000- ) Fitting-Str                                   | 1    |
|      | 11       | 54343         | (000000- ) Bracket, Mounting, Relief Valv                | 1    |
|      | 12       | 78122         | (000000- ) Ftg,Bulkhead .25Npt Wh W21204                 | 1    |
|      | 13       | 53268         | (000000- ) Ftg,Brass Tee 04Pf- 04Pm- 04Pf                | 1    |
|      | 14       | 24047         | (000000- ) Valve, Press Relief, Lpg Rego                 | 1    |
|      | 15       | 17414         | (000000- ) Ftg-Hyd Str Pm04/Pf02                         | 1    |
|      | 16       | 23156         | (000000- ) Switch, Pressure, Lpg                         | 1    |
|      | 17       | 360936        | (000000- ) Hose-Lpg Med05 Spcl 04Pm/04Pm                 | 1    |
|      | 18       | 54345         | (000000- ) Grommet, Rbr1.62ld,For .13Matl                | 2    |
|      | 19       | 24928-1       | (000000- ) Tank-Lp,33@,Liq,Both,Fill Ga L                | 1    |
|      | 20       | 67767         | (000000- ) Clamp-Cable,.69Dia. 62Wth                     | 1    |
|      | 21       | 375406        | (000000-002826 ) Kit, Bracket, Support, Lpg Tank, [6400] | 1    |
|      | 22       | 06535         | (000000- ) Screw, Flt, M10 X 1.5 X 35, 10.9              | 2    |
|      | 23       | 06943         | (000000- ) Screw, Hex, M6 X 1.0 X 20, 8.8                | 2    |
|      | 24       | 32490         | (000000- ) Washer, Flat, 0.25 Std                        | 4    |
|      | 25       | 08708         | (000000- ) Nut, Hex, Lock, M6 X 1.0, NI                  | 2    |
|      | 26       | 39283         | (000000- ) Screw, Hex, M10 X 1.5 X 25, 8.8               | 2    |
|      | 27       | 32492         | (000000- ) Washer, Flat, 0.38 Std                        | 2    |

# STANDARD PARTS

Fig. 18 - Engine Vaporizer Group, LPG (standard) (Serial Number 000000-001759)

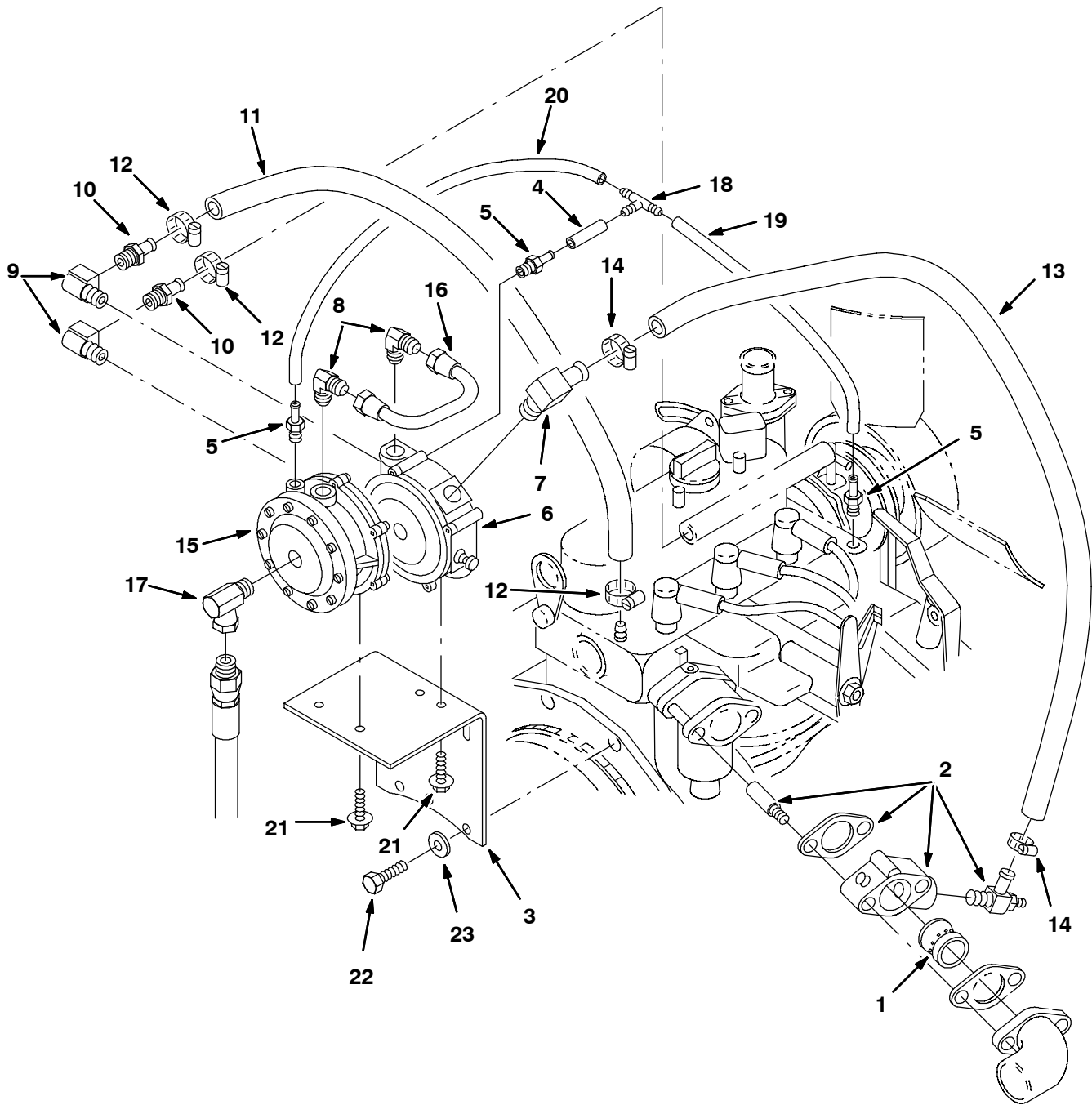


Fig. 18 - Engine Vaporizer Group, LPG (standard) (Serial Number 000000-001759)

| Ref. | Part No. | Serial Number    | Description                  | Qty.                            |   |
|------|----------|------------------|------------------------------|---------------------------------|---|
| 1    | 360494   | (000000-001759 ) | Venturi, Kubota Carb         | 1                               |   |
| 2    | 360493   | (000000-001759 ) | Adaptor, Kubota Carb         | 1                               |   |
| 3    | 361925   | (000000-001759 ) | Bracket, Regulator           | 1                               |   |
| 4    | 17164    | (000000-001759 ) | Hose, Vacuum,.16ld X 1.50 Lg | 1                               |   |
| 5    | 40607    | (000000-001759 ) | Ftg,Brass,St Bm03/Pm02       | 3                               |   |
| ▽    | 6        | 360495           | (000000-001759 )             | Regulator, Kubota Wg750         | 1 |
| ▲    |          | 366078           | (000000-001759 )             | Repair Kit, Vaporizer           | 1 |
|      | 7        | 47388            | (000000-001759 )             | Ftg-Brs E90 Bm08/Pm06           | 1 |
|      | 8        | 52424            | (000000-001759 )             | Ftg-Hyd E90 Pm04/Jm06           | 2 |
|      | 9        | 27048            | (000000-001759 )             | Fitting, EI 90Npt/Npt 04Pf-     | 2 |
|      | 10       | 27769            | (000000-001759 )             | Fitting, Brass Str Em06/Pm04    | 2 |
|      | 11       | 76589-2          | (000000-001759 )             | Hose Rbr,0.38 ld, 10            | 1 |
|      | 12       | 43844            | (000000-001759 )             | Clamp-Wormdrive, 0.25- 0.62D    | 3 |
|      | 13       | 361099           | (000000-001759 )             | Hose, Low Pressure Fuel         | 1 |
|      | 14       | 86824            | (000000-001759 )             | Clamp-Wormdrive 0.50-1.06D      | 2 |
| ▽    | 15       | 73020            | (000000-001759 )             | Filter, Fuellock                | 1 |
| ▲    |          | 65527            | (000000-001759 )             | Fuellock Rep. Kit               | 1 |
|      | 16       | 59808            | (000000-001759 )             | Fuelline, .375 Od               | 1 |
|      | 17       | 11442-1          | (000000-001759 )             | Ftg-EI90 Npt/Npt S04Pf-04Pm     | 1 |
|      | 18       | 59886            | (000000-001759 )             | Fitting, Plastic, Tee, Barb.19  | 1 |
|      | 19       | 09893            | (000000-001759 )             | Hose, Vacuum,.16ld X 12.0Lg     | 1 |
|      | 20       | 57578            | (000000-001759 )             | Hose, Vacuum .16ld X 8.0Lg      | 1 |
|      | 21       | 16949            | (000000-001759 )             | Scr-Hex .25-20X0.75 Sems Pltd   | 4 |
|      | 22       | 41342            | (000000-001759 )             | Screw, Hex, M8 X 1.25 X 40, 8.8 | 2 |
|      | 23       | 39349            | (000000-001759 )             | Washer, Flat, 0.31, Sae         | 2 |

# STANDARD PARTS

Fig. 19 - Engine Vaporizer Group, LPG (standard) (Serial Number 001760-001839)

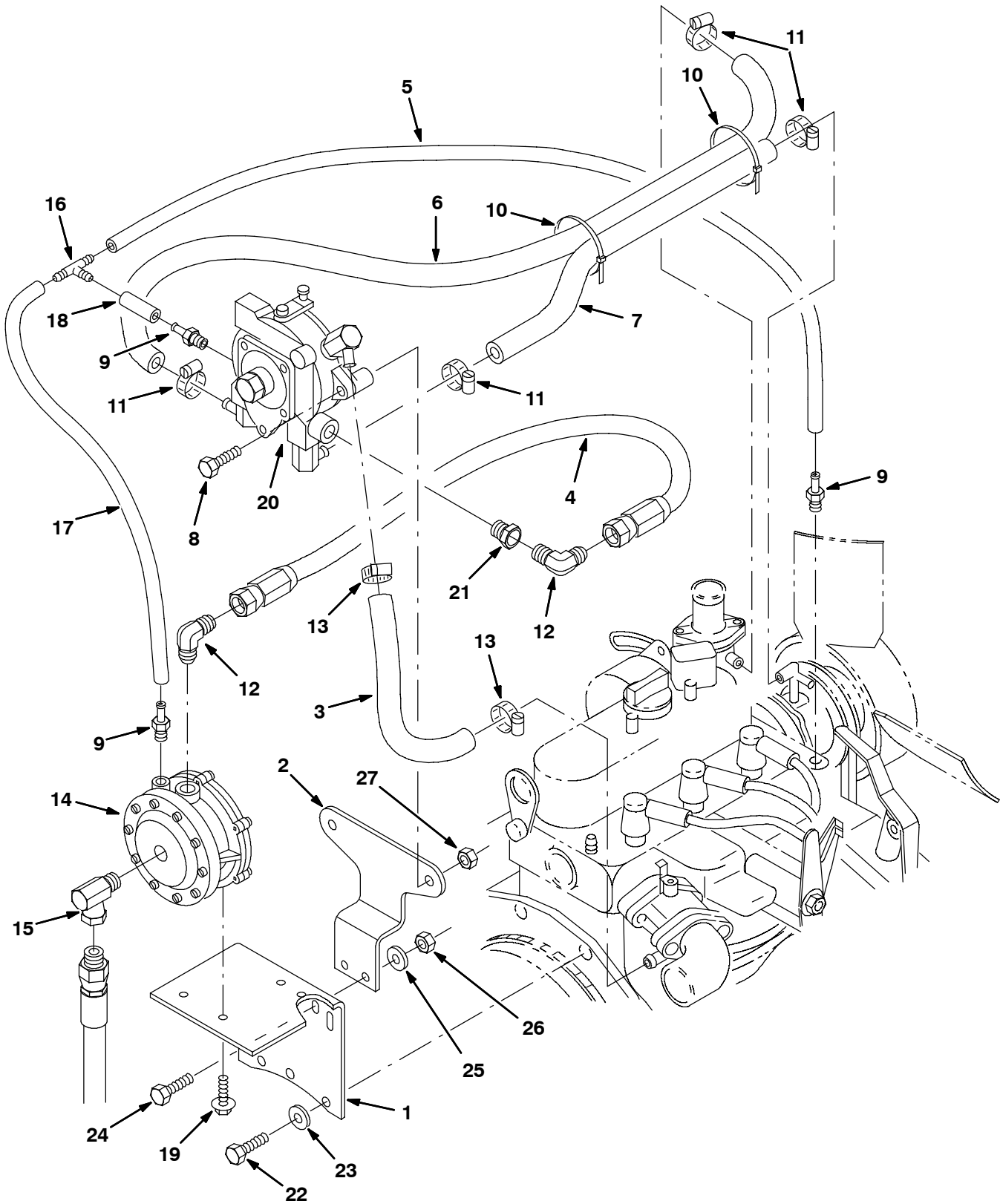




Fig. 19 - Engine Vaporizer Group, LPG (standard) (Serial Number 001760-001839)

| Ref. | Part No. | Serial Number    | Description                     | Qty.             |   |
|------|----------|------------------|---------------------------------|------------------|---|
| 1    | 361925   | (001760-001839 ) | Bracket, Regulator              | 1                |   |
| 2    | 361551   | (001760-001839 ) | Bracket, Regulator              | 1                |   |
| 3    | 361942   | (001760-001839 ) | Hose, Low Pressure Fuel         | 1                |   |
| 4    | 56875    | (001760-001839 ) | Hose-Lpg Med0 Spcl S06jf/06jf   | 1                |   |
| 5    | 19774    | (001760-001839 ) | Hose, Vacuum .16 Id x 15.0 Lg   | 1                |   |
| 6    | 70876    | (001760-001839 ) | Hose, Rbr .38id .62od 21.0L     | 1                |   |
| 7    | 34878    | (001760-001839 ) | Hose, Rbr .38id .62od 15.0L     | 1                |   |
| 8    | 72040    | (001760-001839 ) | Scr-hex M8x1.25 45 10.9pltd     | 2                |   |
| 9    | 40607    | (001760-001839 ) | Ftg-brs Str Bm03/pm02           | 3                |   |
| 10   | 49266    | (001760-001839 ) | Tie, Cable 1.75d Max 7.50lg     | 2                |   |
| 11   | 222705   | (001760-001839 ) | Clamp-wormdrive, .25-.88d       | 4                |   |
| 12   | 52424    | (001760-001839 ) | Ftg-hyd E90 Pm04/jm06           | 2                |   |
| 13   | 86824    | (001760-001839 ) | Clamp-wormdrive, 0.50-1.06d     | 2                |   |
| ▽    | 14       | 73020            | (001760-001839 )                | Filter, Fuelock  | 1 |
| ▲    |          | 65527            | (001760-001839 )                | Fuelock Rep. kit | 1 |
| 15   | 11442-1  | (001760-001839 ) | Ftg-El90 Npt/npt S04pf/04pm     | 1                |   |
| 16   | 59886    | (001760-001839 ) | Ftg-plst Tee 03bm/03bm/03bm     | 1                |   |
| 17   | 57578    | (001760-001839 ) | Hose, Vacuum .16 Id x 8.0 Lg    | 1                |   |
| 18   | 17164    | (001760-001839 ) | Hose, Vacuum .16 Id x 1.5 Lg    | 1                |   |
| 19   | 16949    | (001760-001839 ) | Scr-hex .25-20x0.75 Sems Pltd   | 2                |   |
| 20   | 366064   | (001760-001839 ) | Vaporizer Full Assy             | 1                |   |
| 21   | 366057   | (001760-001839 ) | Fitting, Str, Special           | 1                |   |
| 22   | 41342    | (001760-001839 ) | Screw, Hex, M8 X 1.25 X 40, 8.8 | 2                |   |
| 23   | 39349    | (001760-001839 ) | Washer, Flat, 0.31, Sae         | 2                |   |
| 24   | 06943    | (001760-001839 ) | Screw, Hex, M6 X 1.00 X 20, 8.8 | 2                |   |
| 25   | 32490    | (001760-001839 ) | Washer, Flat, 0.25, Std         | 2                |   |
| 26   | 07790    | (001760-001839 ) | Nut, Hex, Flng, M6 X 1.00       | 2                |   |
| 27   | 07791    | (001760-001839 ) | Nut, Hex, Flng, M8 X 1.25       | 2                |   |

# STANDARD PARTS

Fig. 20 - Engine Vaporizer Group, LPG (California) (Serial Number 00000-001839)

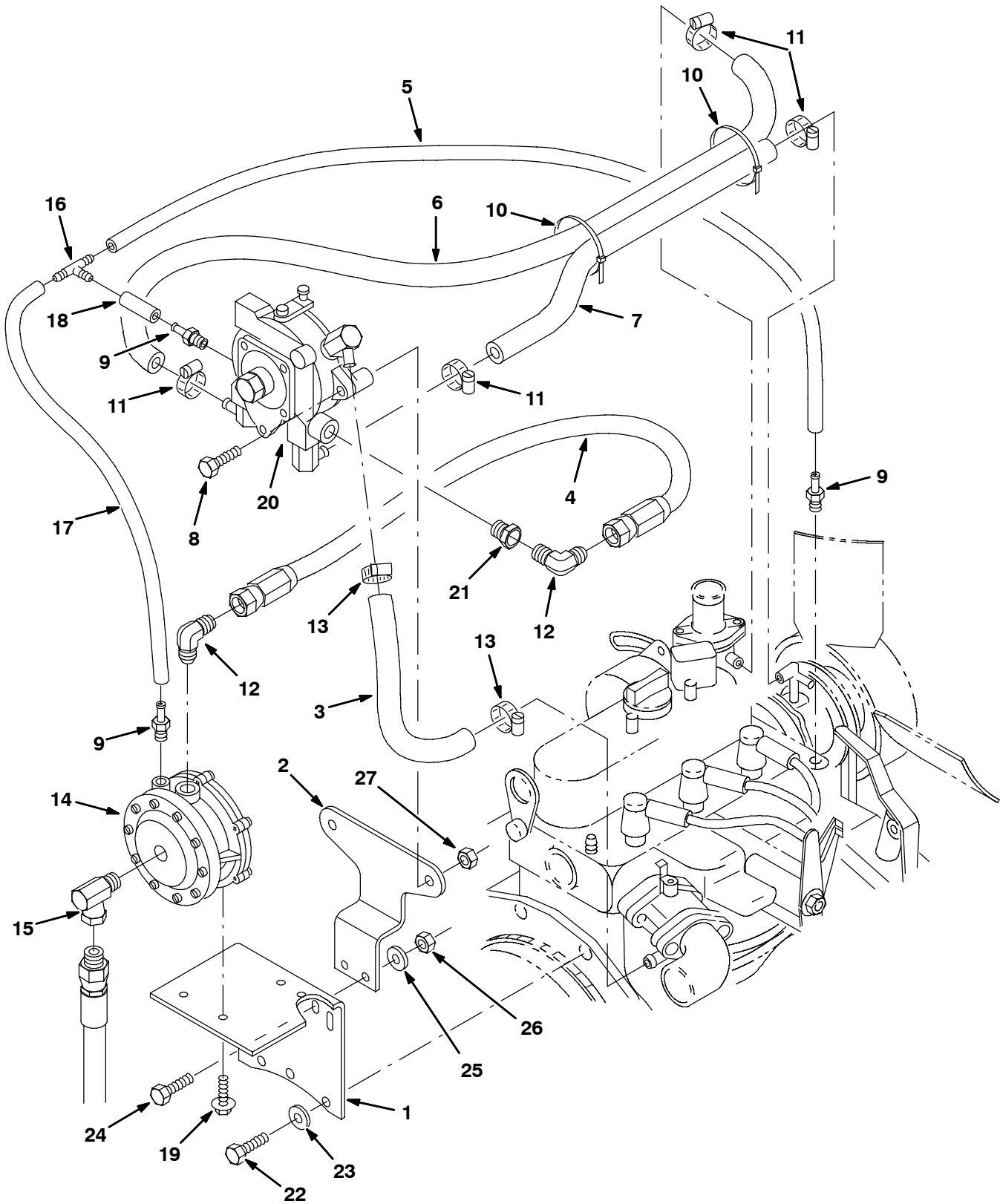


Fig. 20 - Engine Vaporizer Group, LPG (California) (Serial Number 000000-001839)

| Ref. | Part No. | Serial Number    | Description                     | Qty.            |   |
|------|----------|------------------|---------------------------------|-----------------|---|
| 1    | 361925   | (000000-001839 ) | Bracket, Regulator              | 1               |   |
| 2    | 361551   | (000000-001839 ) | Bracket, Regulator              | 1               |   |
| 3    | 361942   | (000000-001839 ) | Hose, Low Pressure Fuel         | 1               |   |
| 4    | 56875    | (000000-001839 ) | Hose-Lpg Med0 Spcl S06jf/06jf   | 1               |   |
| 5    | 19774    | (000000-001839 ) | Hose, Vacuum .16 Id x 15.0 Lg   | 1               |   |
| 6    | 70876    | (000000-001839 ) | Hose, Rbr .38id .62od 21.0L     | 1               |   |
| 7    | 34878    | (000000-001839 ) | Hose, Rbr .38id .62od 15.0L     | 1               |   |
| 8    | 72040    | (000000-001839 ) | Scr-hex M8x1.25 45 10.9pltd     | 2               |   |
| 9    | 40607    | (000000-001839 ) | Ftg-brs Str Bm03/pm02           | 3               |   |
| 10   | 49266    | (000000-001839 ) | Tie, Cable 1.75d Max 7.50lg     | 2               |   |
| 11   | 222705   | (000000-001839 ) | Clamp-wormdrive, .25-.88d       | 4               |   |
| 12   | 52424    | (000000-001839 ) | Ftg-hyd E90 Pm04/jm06           | 2               |   |
| 13   | 86824    | (000000-001839 ) | Clamp-wormdrive, 0.50-1.06d     | 2               |   |
| ▽    | 14       | 73020            | (000000-001839 )                | Filter, Fuelock | 1 |
| ▲    | 65527    | (000000-001839 ) | Fuelock Rep. kit                | 1               |   |
| 15   | 11442-1  | (000000-001839 ) | Ftg-El90 Npt/npt S04pf/04pm     | 1               |   |
| 16   | 59886    | (000000-001839 ) | Ftg-plst Tee 03bm/03bm/03bm     | 1               |   |
| 17   | 57578    | (000000-001839 ) | Hose, Vacuum .16 Id x 8.0 Lg    | 1               |   |
| 18   | 17164    | (000000-001839 ) | Hose, Vacuum .16 Id x 1.5 Lg    | 1               |   |
| 19   | 16949    | (000000-001839 ) | Scr-hex .25-20x0.75 Sems Pltd   | 2               |   |
| 20   | 366064   | (000000-001839 ) | Vaporizer Full Assy             | 1               |   |
| 21   | 366057   | (000000-001839 ) | Fitting, Str, Special           | 1               |   |
| 22   | 41342    | (001760-001839 ) | Screw, Hex, M8 X 1.25 X 40, 8.8 | 2               |   |
| 23   | 39349    | (001760-001839 ) | Washer, Flat, 0.31, Sae         | 2               |   |
| 24   | 06943    | (001760-001839 ) | Screw, Hex, M6 X 1.00 X 20, 8.8 | 2               |   |
| 25   | 32490    | (001760-001839 ) | Washer, Flat, 0.25, Std         | 2               |   |
| 26   | 07790    | (001760-001839 ) | Nut, Hex, Flng, M6 X 1.00       | 2               |   |
| 27   | 07791    | (001760-001839 ) | Nut, Hex, Flng, M8 X 1.25       | 2               |   |

# STANDARD PARTS

Fig. 21 - Engine Vaporizer Group, LPG (standard) (Serial Number 001840-003415)

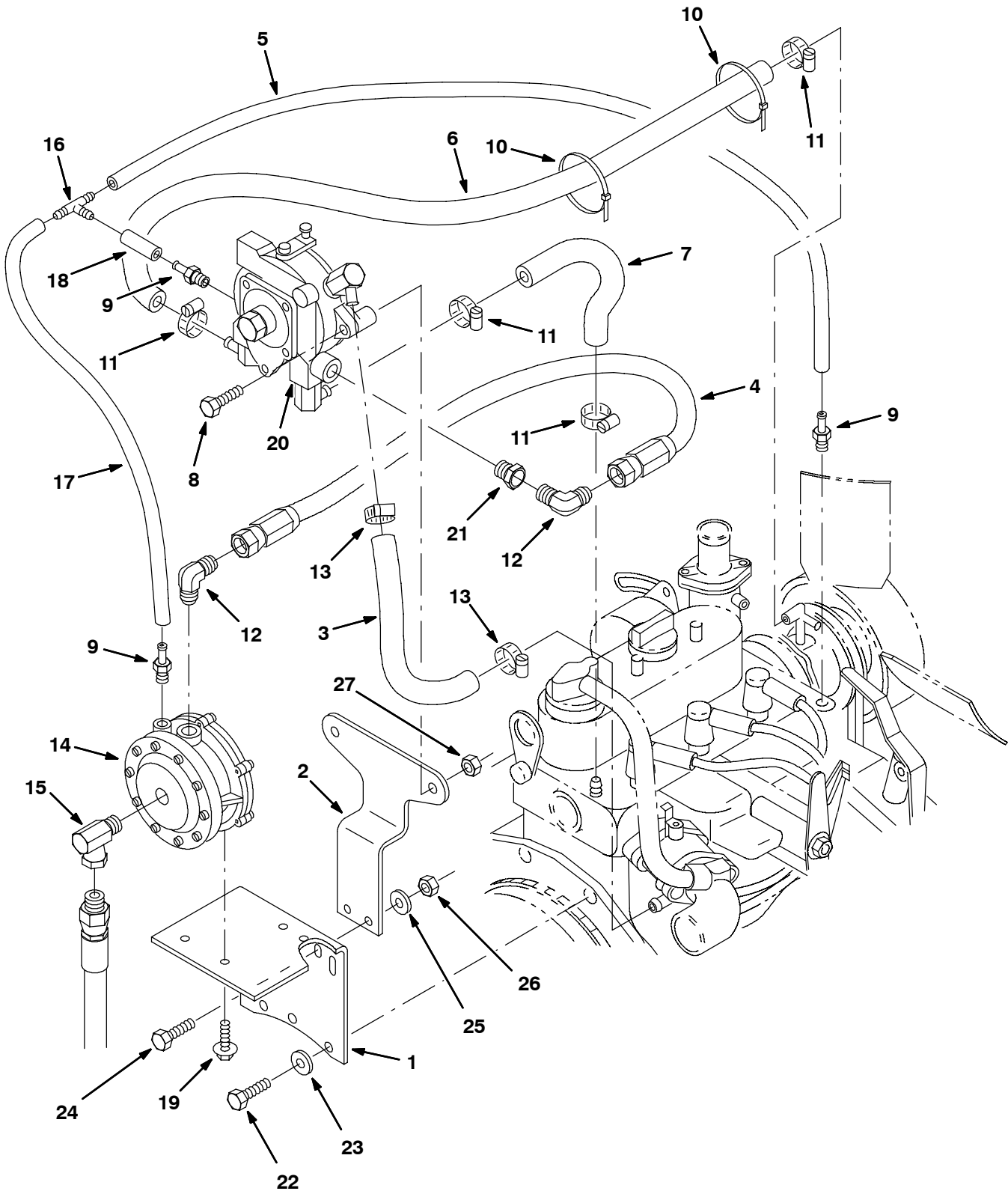


Fig. 21 - Engine Vaporizer Group, LPG (standard) (Serial Number 001840-003415)

| Ref. | Part No. | Serial Number    | Description                     | Qty.             |   |
|------|----------|------------------|---------------------------------|------------------|---|
| 1    | 361925   | (001840-003415 ) | Bracket, Regulator              | 1                |   |
| 2    | 375039   | (001840-003415 ) | Bracket, Regulator              | 1                |   |
| 3    | 375041   | (001840-003415 ) | Hose, Low Pressure Fuel         | 1                |   |
| 4    | 56875    | (001840-003415 ) | Hose-Lpg Med0 Spcl S06jf/06jf   | 1                |   |
| 5    | 19774    | (001840-003415 ) | Hose, Vacuum .16 Id x 15.0 Lg   | 1                |   |
| 6    | 34878    | (001840-003415 ) | Hose, Rbr .38id .62od 15.0L     | 1                |   |
| 7    | 375042   | (001840-003415 ) | Hose, Rbr .38id .62od 5.0L      | 1                |   |
| 8    | 72040    | (001840-003415 ) | Scr-hex M8x1.25 45 10.9pltd     | 2                |   |
| 9    | 40607    | (001840-003415 ) | Ftg-brs Str Bm03/pm02           | 3                |   |
| 10   | 49266    | (001840-003415 ) | Tie, Cable 1.75d Max 7.50lg     | 2                |   |
| 11   | 222705   | (001840-003415 ) | Clamp-wormdrive, .25-.88d       | 4                |   |
| 12   | 52424    | (001840-003415 ) | Ftg-hyd E90 Pm04/jm06           | 2                |   |
| 13   | 86824    | (001840-003415 ) | Clamp-wormdrive, 0.50-1.06d     | 2                |   |
| ▽    | 14       | 73020            | (001840-003415 )                | Filter, Fuelock  | 1 |
| ▲    |          | 65527            | (001840-003415 )                | Fuelock Rep. kit | 1 |
| 15   | 11442-1  | (001840-003415 ) | Ftg-El90 Npt/npt S04pf/04pm     | 1                |   |
| 16   | 59886    | (001840-003415 ) | Ftg-plst Tee 03bm/03bm/03bm     | 1                |   |
| 17   | 57578    | (001840-003415 ) | Hose, Vacuum .16 Id x 8.0 Lg    | 1                |   |
| 18   | 17164    | (001840-003415 ) | Hose, Vacuum .16 Id x 1.5 Lg    | 1                |   |
| 19   | 16949    | (001840-003415 ) | Scr-hex .25-20x0.75 Sems Pltd   | 2                |   |
| 20   | 366064   | (001840-003415 ) | Vaporizer Full Assy             | 1                |   |
| 21   | 366057   | (001840-003415 ) | Fitting, Str, Special           | 1                |   |
| 22   | 41342    | (001840-003415 ) | Screw, Hex, M8 X 1.25 X 40, 8.8 | 2                |   |
| 23   | 39349    | (001840-003415 ) | Washer, Flat, 0.31, Sae         | 2                |   |
| 24   | 06943    | (001840-003415 ) | Screw, Hex, M6 X 1.00 X 20, 8.8 | 2                |   |
| 25   | 32490    | (001840-003415 ) | Washer, Flat, 0.25, Std         | 2                |   |
| 26   | 07790    | (001840-003415 ) | Nut, Hex, Flng, M6 X 1.00       | 2                |   |
| 27   | 07791    | (001840-003415 ) | Nut, Hex, Flng, M8 X 1.25       | 2                |   |

# STANDARD PARTS

Fig. 22 - Engine Vaporizer Group, LPG (standard) (Serial Number 003416- )

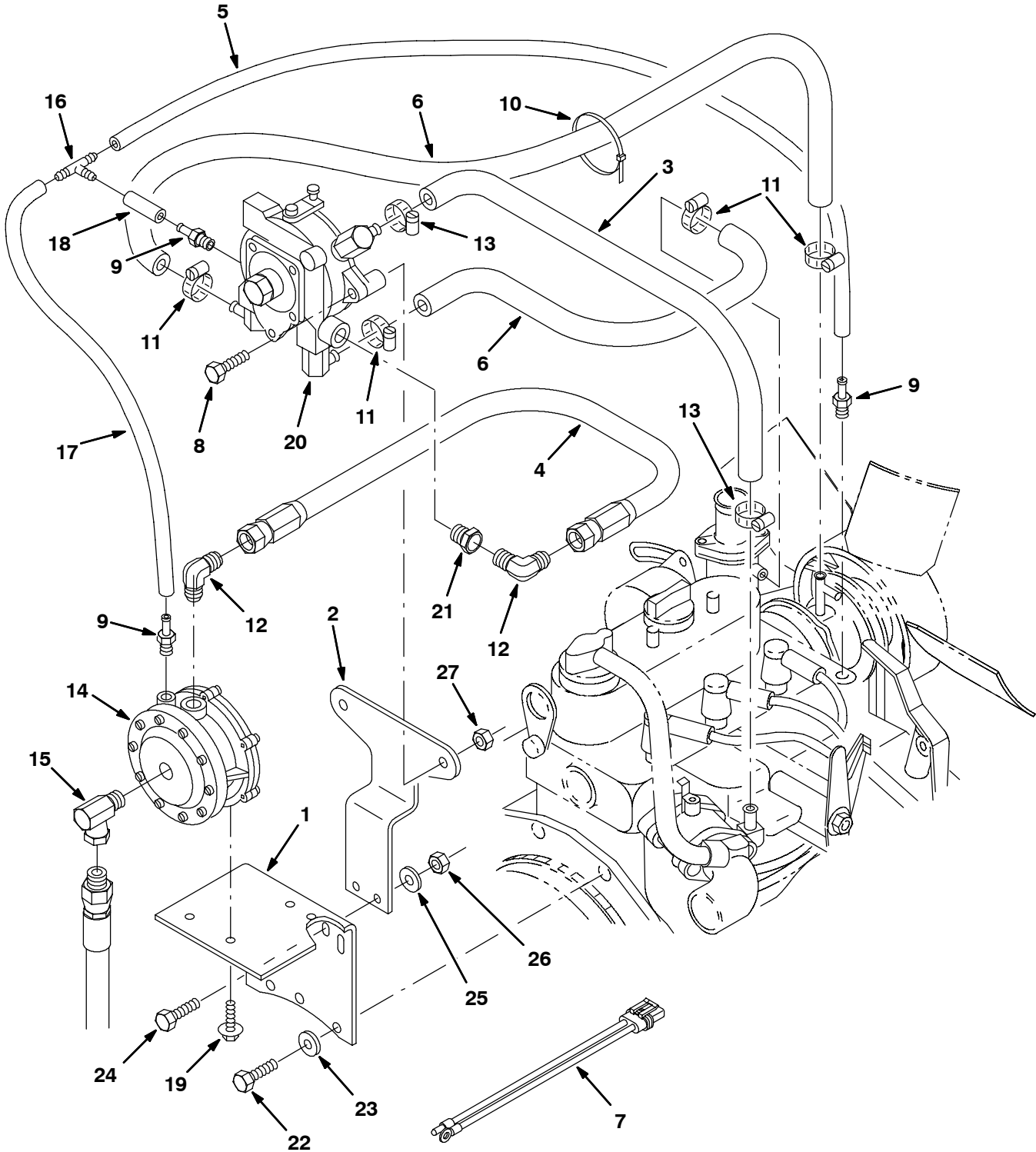


Fig. 22 - Engine Vaporizer Group, LPG (standard) (Serial Number 003416- )

| Ref. | Part No. | Serial Number | Description                                | Qty.              |   |
|------|----------|---------------|--|-------------------|---|
| 1    | 361925   | (003416-      | ) Bracket, Regulator                       | 1                 |   |
| 2    | 375039   | (003416-      | ) Bracket, Regulator                       | 1                 |   |
| 3    | 375041   | (003416-      | ) Hose, Low Pressure Fuel                  | 1                 |   |
| 4    | 56875    | (003416-      | ) Hose-Lpg Med0 Spcl S06jf/06jf            | 1                 |   |
| 5    | 19774    | (003416-      | ) Hose, Vacuum .16 Id x 15.0 Lg            | 1                 |   |
| 6    | 34878    | (003416-      | ) Hose, Rbr .38id .62od 15.0L              | 2                 |   |
| 7    | 372248   | (003416-      | ) Harness, Wire, Jumper, Lpg [Kubota]      | 1                 |   |
| 8    | 72040    | (003416-      | ) Scr-hex M8x1.25 45 10.9pltd              | 2                 |   |
| 9    | 40607    | (003416-      | ) Ftg-brs Str Bm03/pm02                    | 3                 |   |
| 10   | 49266    | (003416-      | ) Tie, Cable 1.75d Max 7.50lg              | 2                 |   |
| 11   | 43844    | (003416-      | ) Clamp, Hose, Wormdrive, 0.25-0.62d, .31w | 4                 |   |
| 12   | 52424    | (003416-      | ) Ftg-hyd E90 Pm04/jm06                    | 2                 |   |
| 13   | 86824    | (003416-      | ) Clamp-wormdrive, 0.50-1.06d              | 2                 |   |
| ▽    | 14       | 73020         | (003416-                                   | ) Filter, Fuelock | 1 |
| ▲    | 65527    | (003416-      | ) Fuelock Rep. kit                         | 1                 |   |
| 15   | 11442-1  | (003416-      | ) Ftg-El90 Npt/npt S04pf/04pm              | 1                 |   |
| 16   | 59886    | (003416-      | ) Ftg-plst Tee 03bm/03bm/03bm              | 1                 |   |
| 17   | 57578    | (003416-      | ) Hose, Vacuum .16 Id x 8.0 Lg             | 1                 |   |
| 18   | 17164    | (003416-      | ) Hose, Vacuum .16 Id x 1.5 Lg             | 1                 |   |
| 19   | 16949    | (003416-      | ) Scr-hex .25-20x0.75 Sems Pltd            | 2                 |   |
| 20   | 372249   | (003416-      | ) Vaporizer, Lpg [Kubota]                  | 1                 |   |
| 21   | 366057   | (003416-      | ) Fitting, Str, Special                    | 1                 |   |
| 22   | 41342    | (003416-      | ) Screw, Hex, M8 X 1.25 X 40, 8.8          | 2                 |   |
| 23   | 39349    | (003416-      | ) Washer, Flat, 0.31, Sae                  | 2                 |   |
| 24   | 06943    | (003416-      | ) Screw, Hex, M6 X 1.00 X 20, 8.8          | 2                 |   |
| 25   | 32490    | (003416-      | ) Washer, Flat, 0.25, Std                  | 2                 |   |
| 26   | 07790    | (003416-      | ) Nut, Hex, Flng, M6 X 1.00                | 2                 |   |
| 27   | 07791    | (003416-      | ) Nut, Hex, Flng, M8 X 1.25                | 2                 |   |

Fig. 23 - Engine Muffler Group, G/LP

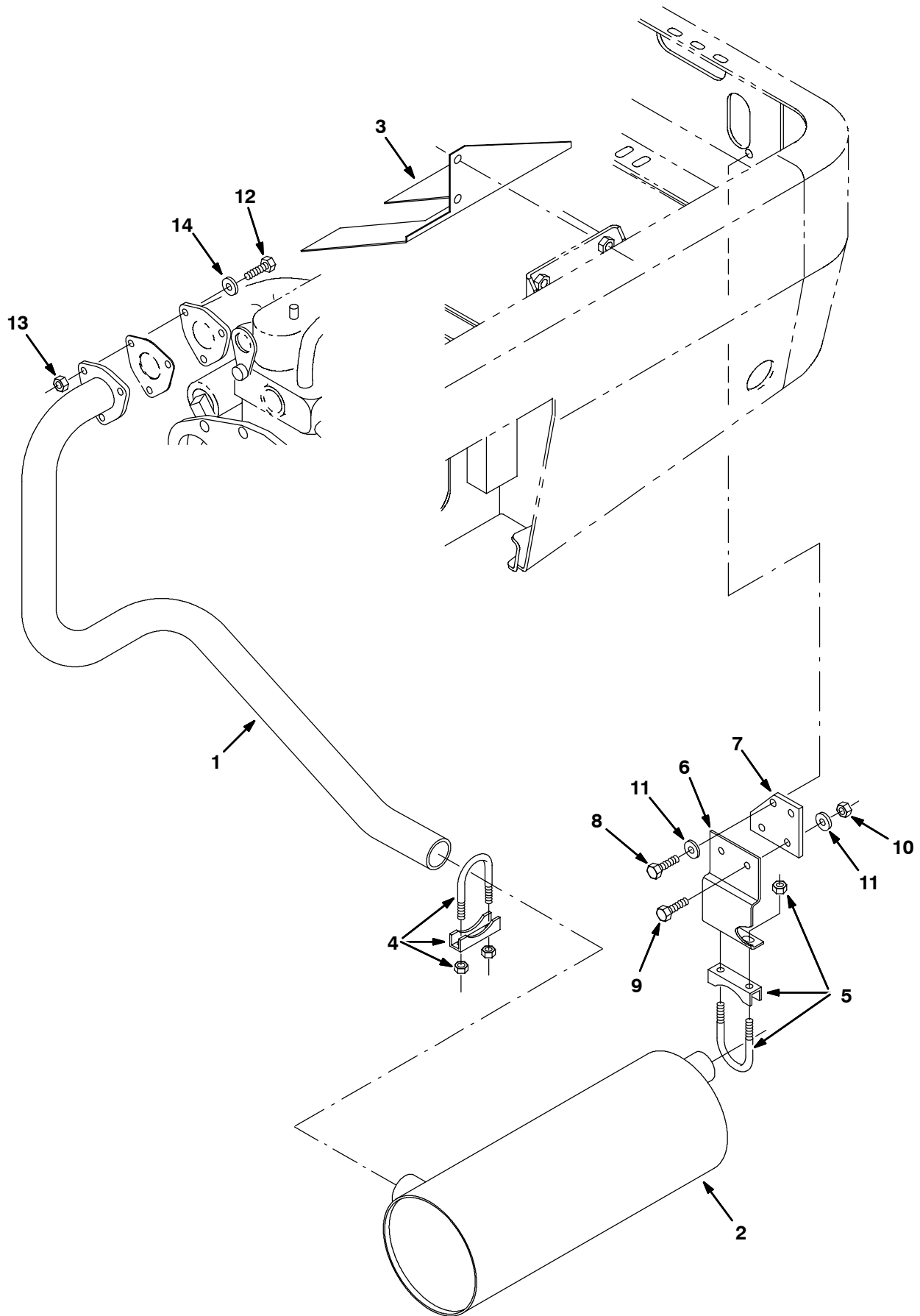




Fig. 23 - Engine Muffler Group, G/LP

| Ref. | Part No. | Serial Number | Description                              | Qty. |
|------|----------|---------------|--|------|
| 1    | 360366   | (000000-      | ) Pipe, Exhaust, Gas                     | 1    |
| 2    | 360372   | (000000-      | ) Muffler                                | 1    |
| 3    | 361251   | (000000-      | ) Plate, Drip Shield, Muffler (Gas Only) | 1    |
| 4    | 24012-1  | (000000-      | ) Clamp-Muff,For 1.75 Od Tube L          | 1    |
| 5    | 23694    | (000000-      | ) Clamp-Muffler,For 1.37 Od Tube         | 1    |
| 6    | 360629   | (000000-      | ) Angle, Mtg, Muffler                    | 1    |
| 7    | 360876   | (000000-      | ) Isolator, Exhaust                      | 1    |
| 8    | 12333    | (000000-      | ) Scr Hexssm 8 X 1.25 25 Nyloc           | 2    |
| 9    | 39277    | (000000-      | ) Screw, Hex, M8 X 1.25 X 25, 8.8        | 2    |
| 10   | 08709    | (000000-      | ) Nut, Hex, Lock, M8 X 1.25, NI          | 2    |
| 11   | 32491    | (000000-      | ) Washer, Flat, 0.31, Std                | 4    |
| 12   | 41342    | (000000-      | ) Screw, Hex, M8 X 1.25 X 40, 8.8        | 3    |
| 13   | 07791    | (000000-      | ) Nut, Hex, Flng, M8 X 1.25              | 3    |
| 14   | 32490    | (000000-      | ) Washer, Flat, 0.25, Std                | 3    |

Fig. 24 - Engine Battery Group, G/LP

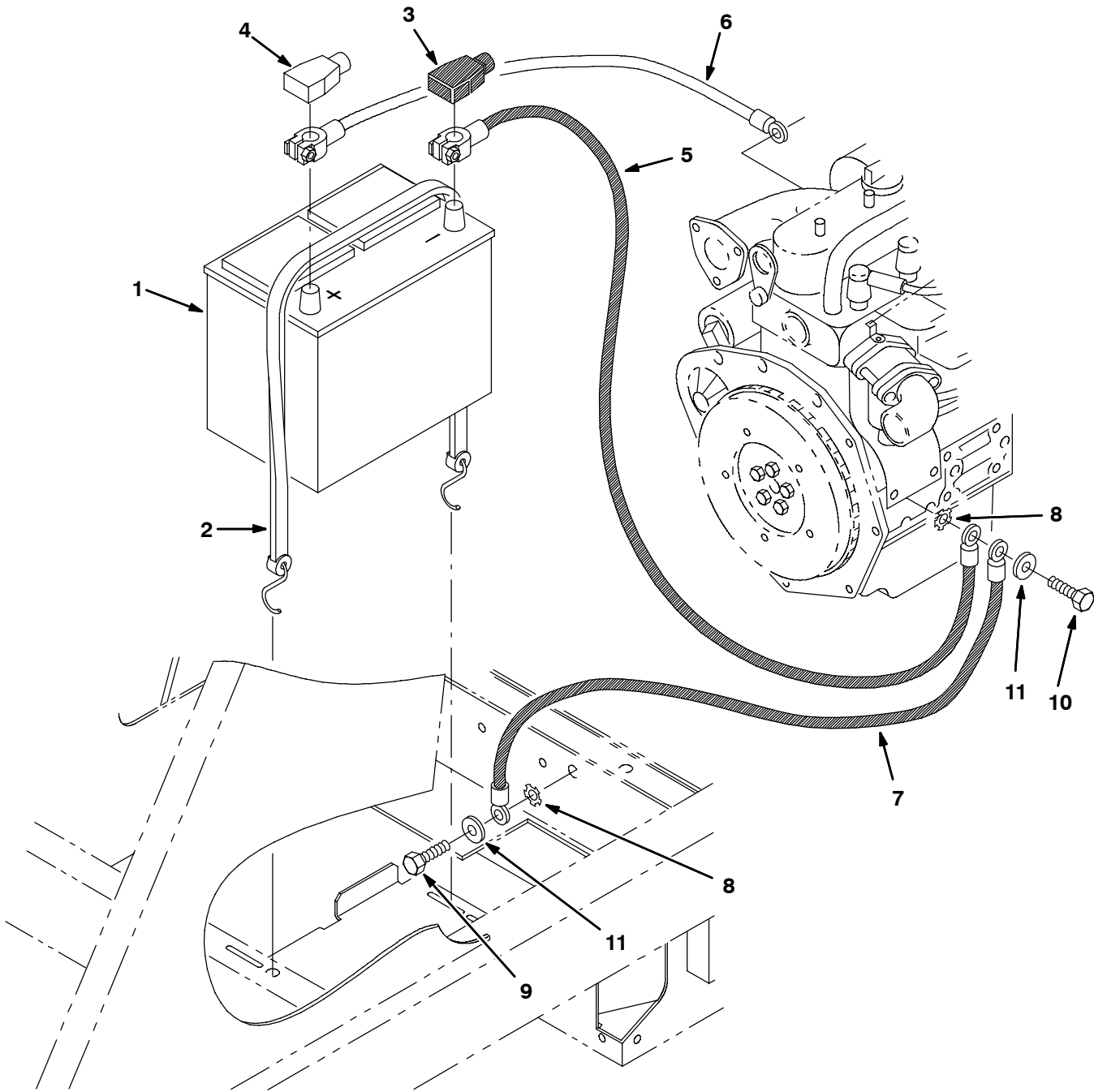


Fig. 24 - Engine Battery Group, G/LP

| Ref. | Part No. | Serial Number | Description                        | Qty. |
|------|----------|---------------|------------------------------------|------|
| 1    | 10137    | (000000-      | ) Battery, 12V, Cc Amps:475 Wet    | 1    |
| 2    | 33671    | (000000-      | ) Strap,Rubber Tie-Down            | 1    |
| 3    | 68872    | (000000-      | ) Boot,Batt.Term.1-2Ga. Black      | 1    |
| 4    | 68873    | (000000-      | ) Boot,Batt.Term. 1-2Ga. Red       | 1    |
| 5    | 360819   | (000000-      | ) Cable, Battery, Negative         | 1    |
| 6    | 31258    | (000000-      | ) Cable, Battery Pos 4Ga. 38L      | 1    |
| 7    | 29832-5  | (000000-      | ) Wire Assy,Cable-11.0, 4 Ga,Blk   | 1    |
| 8    | 41142    | (000000-      | ) Washer-Loc Int-Ext .38 Pltd      | 2    |
| 9    | 58286    | (000000-      | ) Screw, Hex, M10 X 1.25 X 20, 8.8 | 1    |
| 10   | 06961    | (000000-      | ) Screw, Hex, M10 X 1.50 X 20, 8.8 | 1    |
| 11   | 32485    | (000000-      | ) Washer, Flat, 0.38, Sae          | 2    |

Fig. 25 - Directional Pedal Group

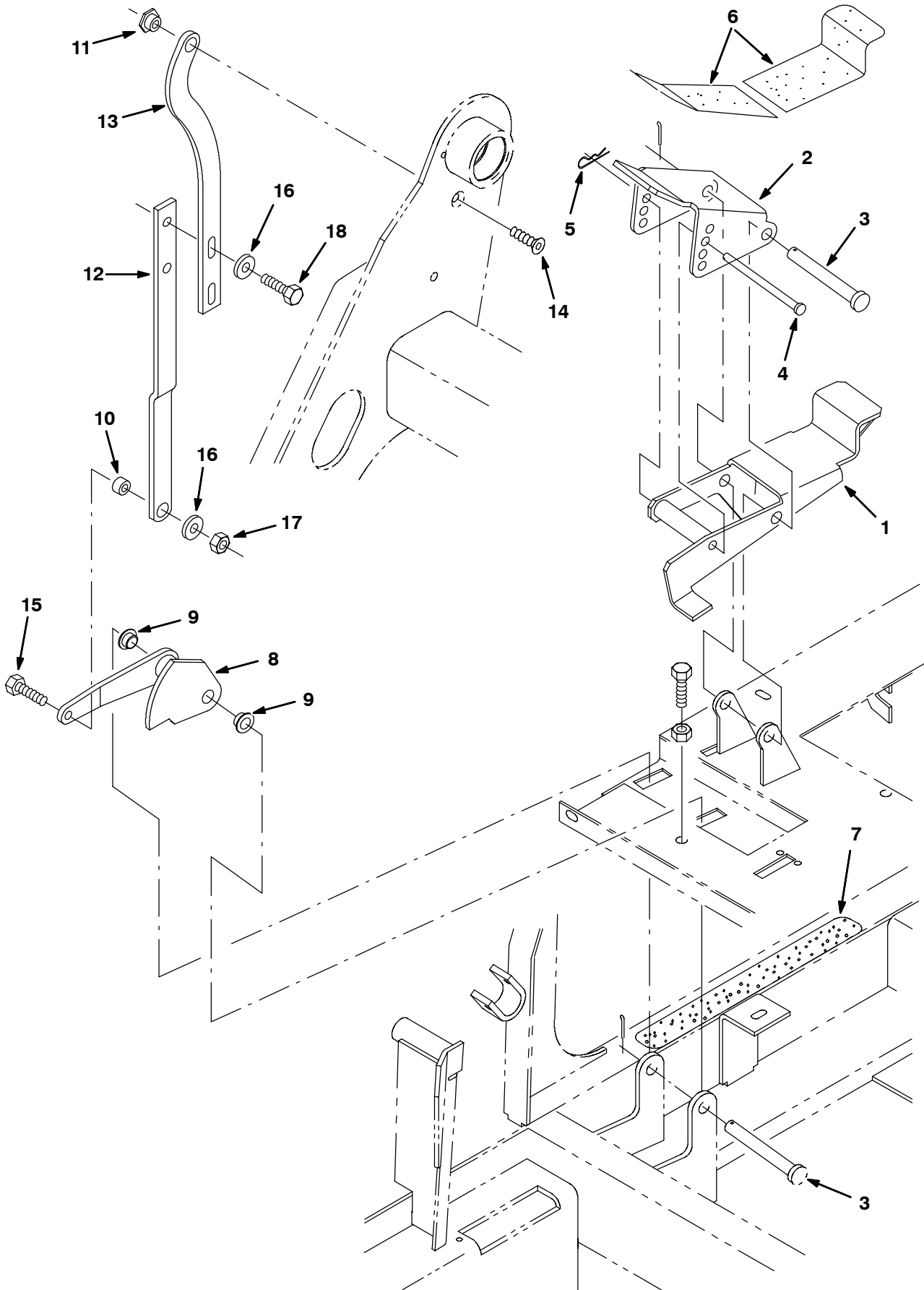


Fig. 25 - Directional Pedal Group

| Ref. | Part No. | Serial Number | Description                       | Qty. |
|------|----------|---------------|-----------------------------------|------|
| 1    | 360344   | (000000-      | ) Pedal Wldt, Lower               | 1    |
| 2    | 75305    | (000000-      | ) Pedal, Upper                    | 1    |
| 3    | 222196   | (000000-      | ) Pin, Roller                     | 2    |
| 4    | 59672    | (000000-      | ) Pin, Clevis .31 Dia X 4.50 Lg   | 1    |
| 5    | 44906    | (000000-      | ) Pin, Hair Cotter 13D 3 Wire     | 1    |
| 6    | 75430    | (000000-      | ) Pad, Tread                      | 1    |
| 7    | 86798    | (000000-      | ) Pad, Tread                      | 1    |
| 8    | 360459   | (000000-      | ) Cam Wldt, Speed Limit           | 1    |
| 9    | 360917   | (000000-      | ) Bearing-Flange, .500Bore .38L   | 2    |
| 10   | 360460   | (000000-      | ) Spacer                          | 1    |
| 11   | 360840   | (000000-      | ) Spacer, Pivot                   | 1    |
| 12   | 360884   | (000000-      | ) Link, Speed Limit               | 1    |
| 13   | 360854   | (000000-      | ) Link, Speed Limit               | 1    |
| 14   | 360821   | (000000-      | ) Scr Flt M 8X1.25 16             | 1    |
| 15   | 76570    | (000000-      | ) Screw, Hex, M8 X 1.25 X 30, 8.8 | 1    |
| 16   | 32491    | (000000-      | ) Washer, Flat, 0.31, Std         | 3    |
| 17   | 08709    | (000000-      | ) Nut, Hex, Lock, M8 X 1.25, NI   | 1    |
| 18   | 16931    | (000000-      | ) Screw, Hex, M8 X 1.25 X 20, 8.8 | 2    |

**Fig. 26 - Wheel and Brake Group, Front**

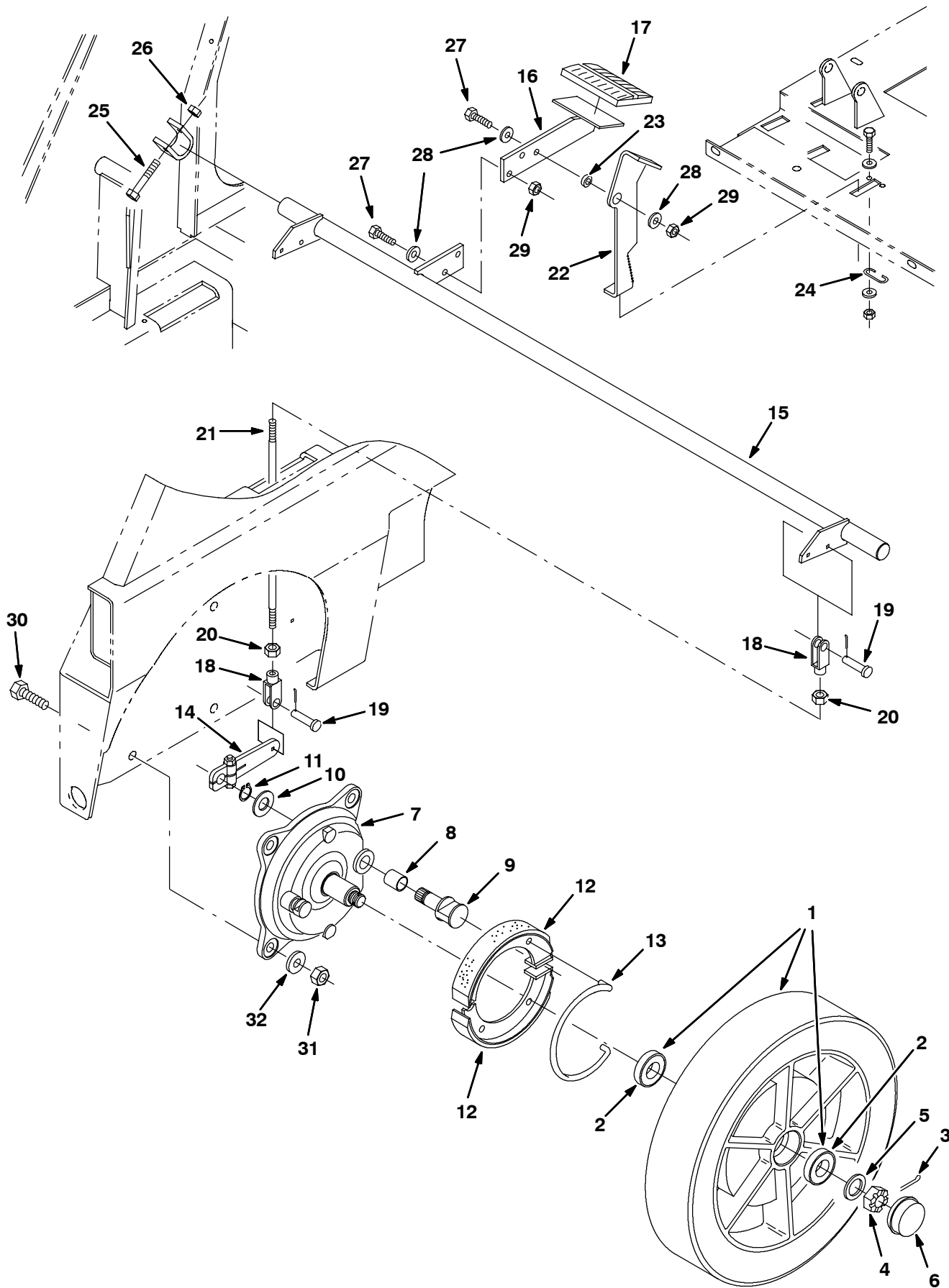


Fig. 26 - Wheel and Brake Group, Front

| Ref. | Part No. | Serial Number | Description                                 | Qty. |
|------|----------|---------------|---|------|
| ▽    | 1        | 360071        | (000000- ) Wheel Assy                       | 2    |
| ▲    | 2        | 360074        | (000000- ) Bearing-Ball,1.18B 2.44D 0.63W   | 2    |
|      | 3        | 08182         | (000000- ) Pin, Cotter, .125 X 1.00         | 2    |
|      | 4        | 86659         | (000000- ) Nut-Hxslot .75-16 Pltd           | 2    |
|      | 5        | 49145         | (000000- ) Washer, .765B 1.5Od .06Ss18-8    | 2    |
|      | 6        | 54390         | (000000- ) Cap, Hub                         | 2    |
| ▽    |          | 360023        | (000000- ) Brake Assy                       | 2    |
| ▲    | 7        | 360270        | (000000- ) Backing Plate Kn                 | 1    |
| ▲    | 8        | 360271        | (000000- ) Bushing,B20 D22 L24              | 1    |
| ▲    | 9        | 360272        | (000000- ) Cam,Nickel Plated Kn             | 1    |
| ▲    | 10       | 360273        | (000000- ) Washer-Flt 21 X37 X3 M20         | 1    |
| ▲    | 11       | 360274        | (000000- ) Ring, Retain,Ex,A20X1.2 D471     | 1    |
| ▲    | 12       | 360275        | (000000- ) Shoe, Brake                      | 2    |
| ▲    | 13       | 360276        | (000000- ) Spring, Return, Brake            | 1    |
|      | 14       | 360802        | (000000- ) Lever, Brake                     | 2    |
|      | 15       | 360054        | (000000- ) Lever Wldt, Brake                | 1    |
|      | 16       | 360633        | (000000- ) Plate Wldt, Brake Lever          | 1    |
|      | 17       | 51109         | (000000- ) Pad                              | 1    |
|      | 18       | 14595-1       | (000000- ) Clevis,Adjust.0.25-28Th.Cad.     | 4    |
|      | 19       | 14605         | (000000- ) Pin,Clevis,0.25 Dia.X 0.75 Lg    | 4    |
|      | 20       | 32899         | (000000- ) Nut-Hx Jam .25-28 Pltd           | 4    |
|      | 21       | 360935        | (000000- ) Rod                              | 2    |
|      | 22       | 360345        | (000000- ) Lever, Brake Stop                | 1    |
|      | 23       | 360352        | (000000- ) Spacer                           | 1    |
|      | 24       | 97031         | (000000- ) Spring, Parking Brake            | 1    |
|      | 25       | 06949         | (000000- ) Screw, Hex, M6 X 1.00 X 50, 8.8  | 2    |
|      | 26       | 08708         | (000000- ) Nut, Hex, Lock, M6 X 1.00, NI    | 2    |
|      | 27       | 39277         | (000000- ) Screw, Hex, M8 X 1.25 X 25, 8.8  | 3    |
|      | 28       | 32491         | (000000- ) Washer, Flat, 0.31, Std          | 4    |
|      | 29       | 08709         | (000000- ) Nut, Hex, Lock, M8 X 1.25, NI    | 3    |
|      | 30       | 06968         | (000000- ) Screw, Hex, M12 X 1.75 X 35, 8.8 | 8    |
|      | 31       | 08711         | (000000- ) Nut, Hex, Lock, M12 X 1.75, NI   | 8    |
|      | 32       | 32486         | (000000- ) Washer Flat,0.50,Sae             | 8    |

Fig. 27 - Wheel Group, Rear Drive

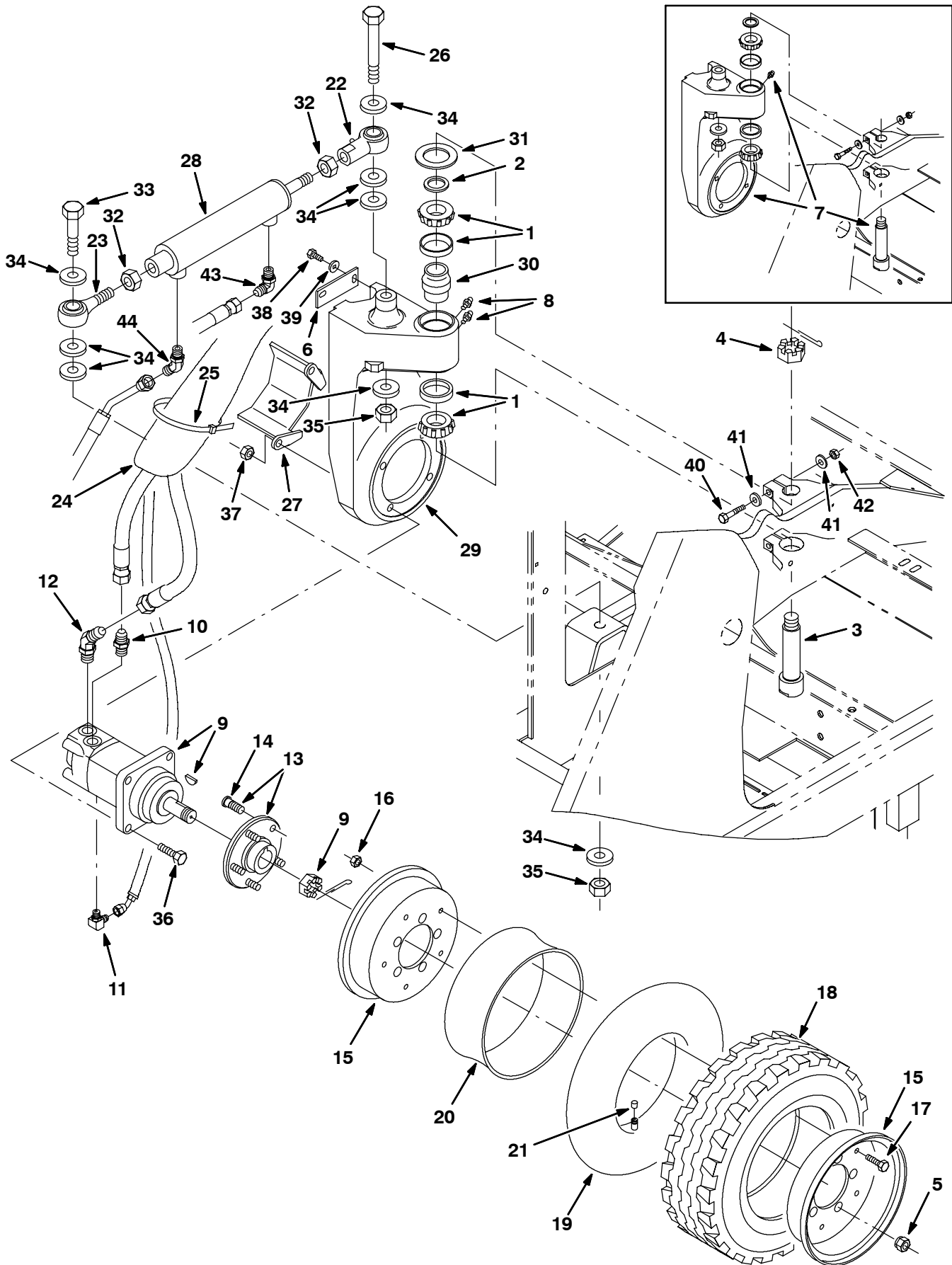




Fig. 27 - Wheel Group, Rear Drive

| Ref. | Part No. | Serial Number  | Description                                    | Qty.                                       |   |
|------|----------|----------------|--|--|---|
| 1    | 49225    | (000000-       | ) Bearing, Cup&Cone Assy                       | 1  |   |
| 2    | 47719    | (000000-       | ) Washer, 1.255B 1.75D .12Hrs                  | 1  |   |
| 3    | 364861   | (001677-       | ) Pin, Pivot                                   | 1  |   |
| 4    | 14242    | (000000-       | ) Nut-Hxslot 1.00-20 Pltd                      | 1  |   |
| 5    | 24339    | (000000-       | ) Nut Wheel .50-20 60 Angle                    | 5  |   |
| 6    | 58842    | (000000-       | ) Plate - Hose Support                         | 1  |   |
| 7    | 364949   | (000000-001676 | ) Replacement Kit, Rear Drive Housing F/360070 | 1  |   |
| 8    | 47801    | (000000-       | ) Ftg, Grease.25-28Th Strt .63L                | 2  |   |
| 9    | 361025   | (000000-       | ) Motor, Hyd Gear (See Breakdowns)             | 1  |   |
| 10   | 46480    | (000000-       | ) Ftg-Hyd Str Jm10/Om10                        | 1  |   |
| 11   | 77097    | (000000-       | ) Ftg-Hyd E90 Jm04/Om04                        | 1  |   |
| 12   | 44936    | (000000-       | ) Ftg-Hyd E45 Jm10/Om10                        | 1  |   |
| ▽    | 13       | 82239          | (000000-                                       | ) Hub & Stud Assy                          | 1 |
| ▲    | 14       | 32126          | (000000-                                       | ) Stud, Wheel .50-20 X 1.50                | 5 |
| ▽    |          | 360769         | (000000-                                       | ) Tire/wheel Assy, 16x6-8 10pr             | 1 |
| ▲    | 15       | 366104         | (000000-                                       | ) Rim Assy, 4.25" Bead X.188 Stl           | 1 |
| ▲    | 16       | 08714          | (000000-                                       | ) Nut, Hex, Lock, M10 X 1.5, NI, Ss        | 5 |
| ▲    | 17       | 39283          | (000000-                                       | ) Screw, Hex, M10 X 1.5 X 25, 8.8          | 5 |
| ▲▽   |          | 366094         | (000000-                                       | ) Tire, Tube & Flap Assy                   | 1 |
| ▲▲   | 18       | 361081         | (000000-                                       | ) Tire                                     | 1 |
| ▲▲   | 19       | 361077         | (000000-                                       | ) Tube, Tire-Inner 16X6-8                  | 1 |
| ▲▲   | 20       | 366092         | (000000-                                       | ) Flap, Tire 2F 500                        | 1 |
| ▲    | 21       | 45786          | (000000-                                       | ) Cap, Valve Stem                          | 1 |
|      | 22       | 64887          | (000000-                                       | ) Rod-End, .75-16rh Fem 0.75b              | 1 |
|      | 23       | 64886          | (000000-                                       | ) Rod-End .75-16 .75 Dia                   | 1 |
|      | 24       | 34329          | (000000-                                       | ) Sleeve-Nyln #28 20.0L                    | 1 |
|      | 25       | 49266          | (000000-                                       | ) Tie, Cable 1.75D Max 7.50Lg              | 1 |
|      | 26       | 360152         | (000000-                                       | ) Screw-Hex .75-10X5.00                    | 1 |
|      | 27       | 72155          | (000000-                                       | ) Bracket, Drive Motor                     | 1 |
| ▽    | 28       | 53601          | (000000-004667                                 | ) Cylinder-Hyd2.0X8.0Da1500Psi             | 1 |
| ▲    |          | 04483          | (000000-004667                                 | ) Seal Kit, Cyl, Hyd                       | 1 |
|      | 28       | 1028492        | (004668-                                       | ) Cylinder, Hyd, 2.0b,15.0l,08.00strk,1500 | 1 |
|      | 29       | 364863         | (001677-                                       | ) Housing, Support, Drive                  | 1 |
|      | 30       | 364826         | (001677-                                       | ) Seal, Grease Cavity                      | 1 |
|      | 31       | 364827         | (001677-                                       | ) Washer, Felt                             | 1 |
|      | 32       | 43958          | (000000-                                       | ) Nut, Hex, Std, .75-16                    | 2 |
|      | 33       | 58056          | (000000-                                       | ) Screw, Hex, .75-10 X 3.00, 5             | 1 |
|      | 34       | 39350          | (000000-                                       | ) Washer, Flat, 0.75 Sae                   | 8 |
|      | 35       | 32987          | (000000-                                       | ) Nut, Hex, Lock, .75-10, NI               | 2 |
|      | 36       | 06972          | (000000-                                       | ) Screw, Hex, M12 X 1.75 X 60, 8.8         | 4 |
|      | 37       | 08711          | (000000-                                       | ) Nut, Hex, Lock, M12 X 1.75, NI           | 4 |
|      | 38       | 09011          | (000000-                                       | ) Screw, Hex, M8 X 1.25 X 30, Ss           | 2 |
|      | 39       | 32491          | (000000-                                       | ) Washer, Flat, 0.31, Std                  | 2 |
|      | 40       | 06964          | (000000-                                       | ) Screw, Hex, M10 X 1.5 X 70, 8.8          | 2 |
|      | 41       | 32485          | (000000-                                       | ) Washer, Flat, 0.38 Sae                   | 4 |
|      | 42       | 41430          | (000000-                                       | ) Nut, Hex, Lock, M10 X 1.5, NI            | 2 |
|      | 43       | 56820          | (000000-                                       | ) Ftg-Hyd E90 Jm06/Om06                    | 1 |
|      | 44       | 47522          | (000000-                                       | ) Ftg-Hyd E45 Jm06/Om06                    | 1 |

Fig. 28 - Brush Lift Group, Main

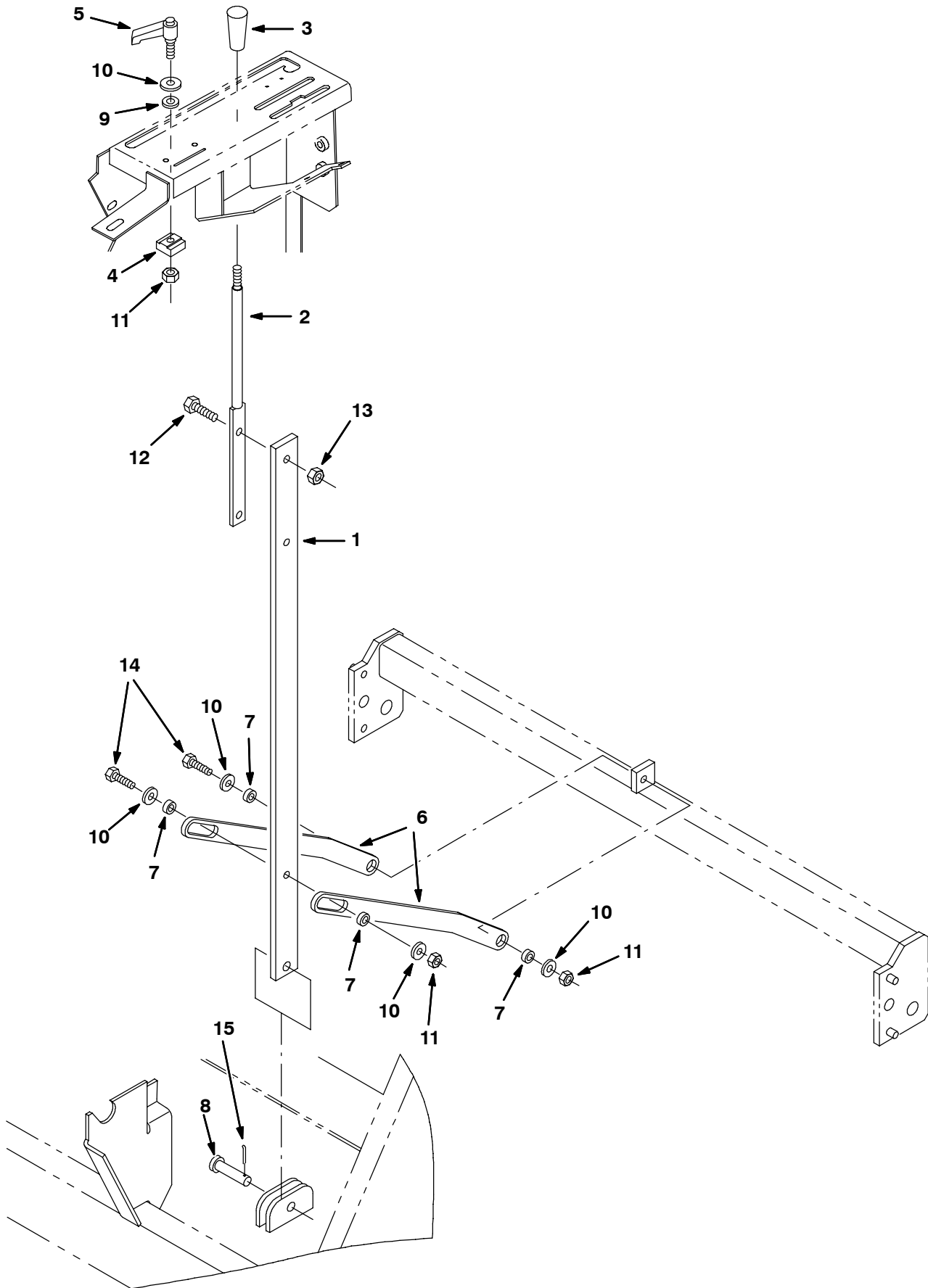


Fig. 28 - Brush Lift Group, Main

| Ref. | Part No. | Serial Number | Description                        | Qty. |
|------|----------|---------------|------------------------------------|------|
| 1    | 360144   | (000000-      | ) Lever, Brush Lift                | 1    |
| 2    | 361135   | (000000-      | ) Lever Wldt, Brush Lift           | 1    |
| 3    | 54995    | (000000-      | ) Knob, Tapered                    | 1    |
| 4    | 360774   | (000000-      | ) Block, Adjusting                 | 1    |
| 5    | 375020   | (000000-      | ) Lever, Adjustable, Plastic       | 1    |
| 6    | 360637   | (000000-      | ) Link, Main Brush Lift            | 2    |
| 7    | 360460   | (000000-      | ) Spacer                           | 4    |
| 8    | 51529    | (000000-      | ) Pin, Clevis, 0.50 Dia. X 1.25 Lg | 1    |
| 9    | 52296    | (000000-      | ) Washer, .405B .81D .06 Nylon     | 1    |
| 10   | 32491    | (000000-      | ) Washer, Flat, 0.31, Std          | 5    |
| 11   | 08709    | (000000-      | ) Nut, Hex, Lock, M8 X 1.25, NI    | 3    |
| 12   | 39277    | (000000-      | ) Screw, Hex, M8 X 1.25 X 25, 8.8  | 2    |
| 13   | 07791    | (000000-      | ) Nut, Hex, Flng, M8 X 1.25        | 2    |
| 14   | 06956    | (000000-      | ) Screw, Hex, M8 X 1.25 X 45, 8.8  | 2    |
| 15   | 08175    | (000000-      | ) Pin, Cotter, .125 X 1.25         | 1    |

**Fig. 29 - Brush Drive Group, Main**

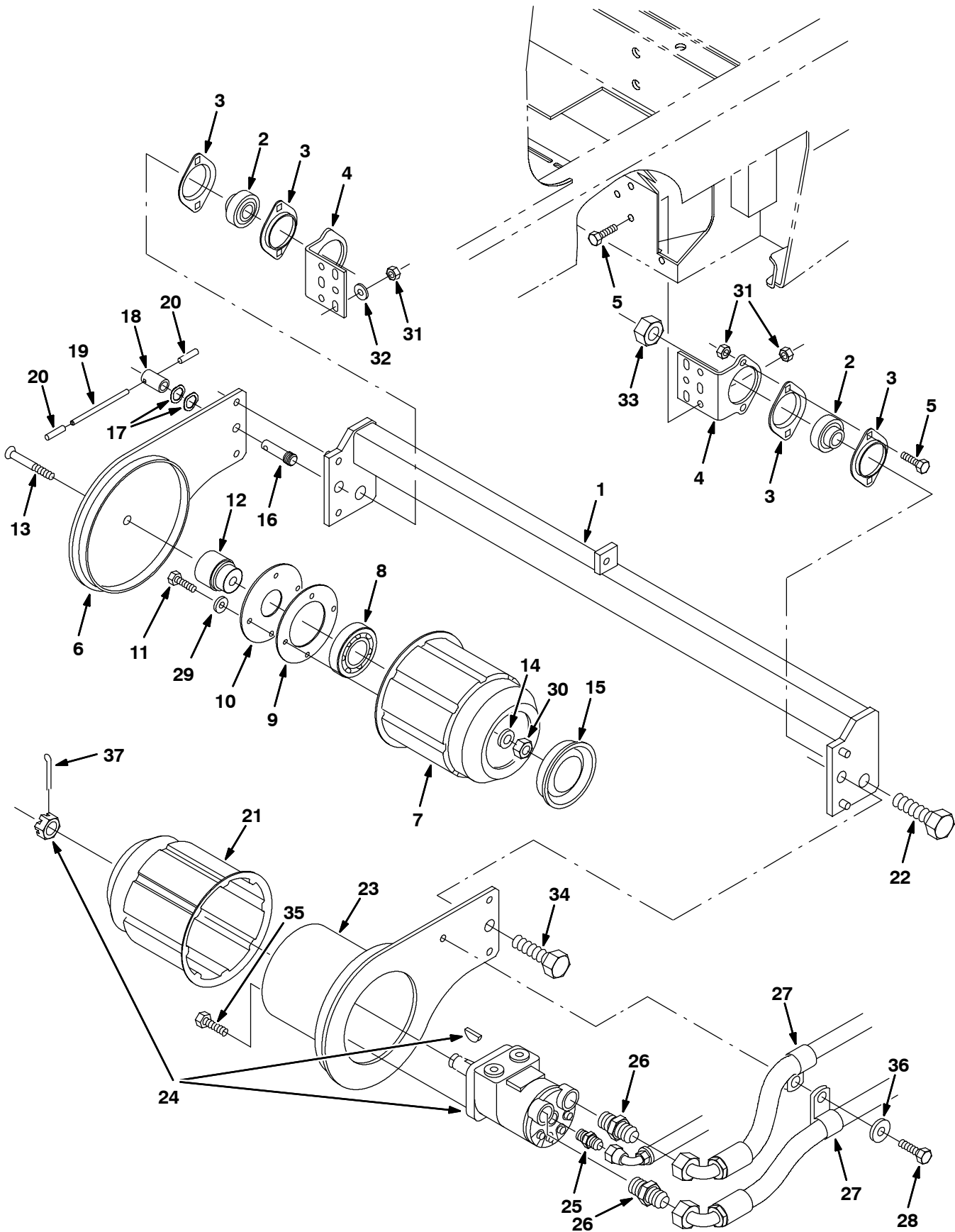


Fig. 29 - Brush Drive Group, Main

| Ref. | Part No. | Serial Number | Description                         | Qty. |
|------|----------|---------------|-------------------------------------|------|
| 1    | 360120   | (000000-      | ) Tube Wldt, Torque                 | 1    |
| 2    | 25887    | (000000-      | ) Bearing, .750 Bore                | 2    |
| 3    | 35973    | (000000-      | ) Flange, Bearing                   | 4    |
| 4    | 360132   | (000000-      | ) Bracket, Mtg, Bearing             | 2    |
| 5    | 09740    | (000000-      | ) Scr Hexssm 8X1.25                 | 10   |
| 6    | 360107   | (000000-      | ) Arm Wldt, Rh                      | 1    |
| 7    | 55779    | (000000-      | ) Plug Wldt, Idler                  | 1    |
| 8    | 24899    | (000000-      | ) Bearing-Ball, 1.38B 2.83D 0.67W   | 1    |
| 9    | 30252    | (000000-      | ) Strip Retainer Bearing            | 1    |
| 10   | 30253    | (000000-      | ) Plate Seal                        | 1    |
| 11   | 12277    | (000000-      | ) Scr-Hexssm 6X1.0 20 Nylonloc      | 4    |
| 12   | 30251    | (000000-      | ) Shaft Idler                       | 1    |
| 13   | 361555   | (000000-      | ) Scr, Flt M12X 1.75 80             | 1    |
| 14   | 51564    | (000000-      | ) Washer, .531B 1.75D .12Cr.Znc     | 1    |
| 15   | 30255    | (000000-      | ) Plug Tube                         | 1    |
| 16   | 360110   | (000000-      | ) Stud, Special, M16X2.0            | 1    |
| 17   | 52508    | (000000-      | ) Washer-Wavy Spring                | 2    |
| 18   | 360109   | (000000-      | ) Sleeve                            | 1    |
| 19   | 11631    | (000000-      | ) Pin, Roll, .25Odx3.50L, .250/.256 | 1    |
| 20   | 360492   | (000000-      | ) Cap                               | 2    |
| 21   | 87631    | (000000-      | ) Plug Weld, Brush Drive, Sweep     | 1    |
| 22   | 39395    | (000000-      | ) Scr-Hex .75-10X2.50 Full Thd      | 2    |
| 23   | 360349   | (000000-      | ) Arm Wldt, Brush, Lh               | 1    |
| 24   | 361021   | (000000-      | ) Motor, Hyd Gear (See Breakdowns)  | 1    |
| 25   | 55586    | (000000-      | ) Ftg-Hyd Str Jm04/Om04             | 1    |
| 26   | 52402    | (000000-      | ) Ftg-Hyd Str Jm06/Om08             | 2    |
| 27   | 67767    | (000000-      | ) Clamp-Cable, .69Dia. 62Wth        | 2    |
| 28   | 12459    | (000000-      | ) Scr-Hxfmgm 6X1.0 20 Pltd          | 1    |
| 29   | 01684    | (000000-      | ) Washer, Flat, 0.25 Ss             | 4    |
| 30   | 08711    | (000000-      | ) Nut, Hex, Lock, M12 X 1.75, NI    | 1    |
| 31   | 08709    | (000000-      | ) Nut, Hex, Lock, M8 X 1.25, NI     | 10   |
| 32   | 32491    | (000000-      | ) Washer, Flat, 0.31, Std           | 3    |
| 33   | 32987    | (000000-      | ) Nut, Hex, Lock, .75-10, NI        | 2    |
| 34   | 06977    | (000000-      | ) Screw, Hex, M16 X 2.0 X 20, 8.8   | 1    |
| 35   | 01762    | (000000-      | ) Screw, Hex, .38-16 X 0.75, NI     | 4    |
| 36   | 32490    | (000000-      | ) Washer, Flat, 0.25 Std            | 1    |
| 37   | 08175    | (000000-      | ) Pin, Cotter, .125 X 1.25          | 1    |

Fig. 30 - Brush Lift Group, Side

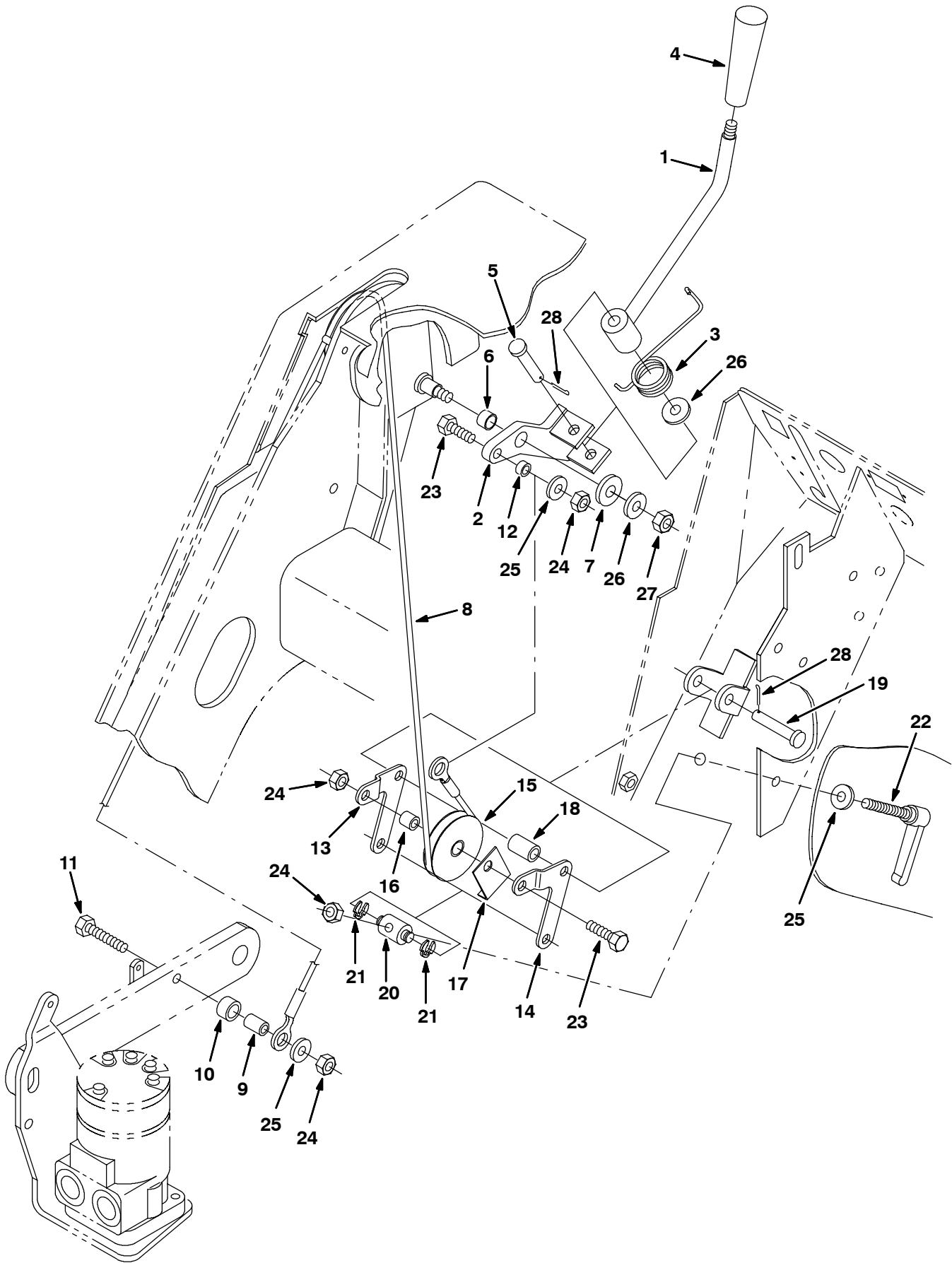


Fig. 30 - Brush Lift Group, Side

| Ref. | Part No. | Serial Number | Description                          | Qty. |
|------|----------|---------------|--------------------------------------|------|
| 1    | 360449   | (000000-      | ) Handle Wldt, Side Brush            | 1    |
| 2    | 360417   | (000000-      | ) Lever Wldt, Brush Lift             | 1    |
| 3    | 360961   | (000000-      | ) Spring, Torsion                    | 1    |
| 4    | 54995    | (000000-      | ) Knob, Tapered                      | 1    |
| 5    | 51813    | (000000-      | ) Pin, Clevis, 0.37 Dia. X 2.12 Lg   | 1    |
| 6    | 64173    | (000000-      | ) Bearing, .50X.38                   | 1    |
| 7    | 39346    | (000000-      | ) Washer-Flt .44 Std Hard Pltd       | 1    |
| 8    | 360079   | (000000-      | ) Cable                              | 1    |
| 9    | 360930   | (000000-      | ) Sleeve, .318B .50D .75 Ss          | 1    |
| 10   | 360631   | (000000-      | ) Sleeve, .510B .75D .44 Stlzn       | 1    |
| 11   | 222505   | (000000-      | ) Screw Hex Ssm 8X1.25 45            | 1    |
| 12   | 360801   | (000000-      | ) Sleeve, .318B .50D .25 Ss          | 1    |
| 13   | 360410   | (000000-      | ) Arm, Brush, Adj, Rh                | 1    |
| 14   | 360411   | (000000-      | ) Arm, Brush, Adj, Lh                | 1    |
| 15   | 360454   | (000000-      | ) Pulley                             | 1    |
| 16   | 222460   | (000000-      | ) Tube, 0.49D 0.23B 0.5L Ss          | 1    |
| 17   | 360413   | (000000-      | ) Angle, Cable Keeper                | 1    |
| 18   | 360451   | (000000-      | ) Sleeve, .402B .62D1.31             | 1    |
| 19   | 29584    | (000000-      | ) Pin, Clevis, 0.37 Dia. X 2.00 Lg   | 1    |
| 20   | 71126    | (000000-      | ) Block                              | 1    |
| 21   | 12364    | (000000-      | ) Ring, Retain, Ex, 0.375D, Klipring | 2    |
| 22   | 360414   | (000000-      | ) Lever, Adjustable, Plastic         | 1    |
| 23   | 76570    | (000000-      | ) Screw, Hex, M08 X 1.25 X 30, 8.8   | 2    |
| 24   | 08709    | (000000-      | ) Nut, Hex, Lock, M8 X 1.25, NI      | 4    |
| 25   | 32491    | (000000-      | ) Washer, Flat, 0.31 Std             | 3    |
| 26   | 32492    | (000000-      | ) Washer, Flat, 0.38 Std             | 2    |
| 27   | 41430    | (000000-      | ) Nut, Hex, Lock, M10 X 1.5, NI      | 1    |
| 28   | 08179    | (000000-      | ) Pin, Cotter, .094 X 1.00           | 2    |

**Fig. 31 - Brush Motor and Pivot Group, Side**

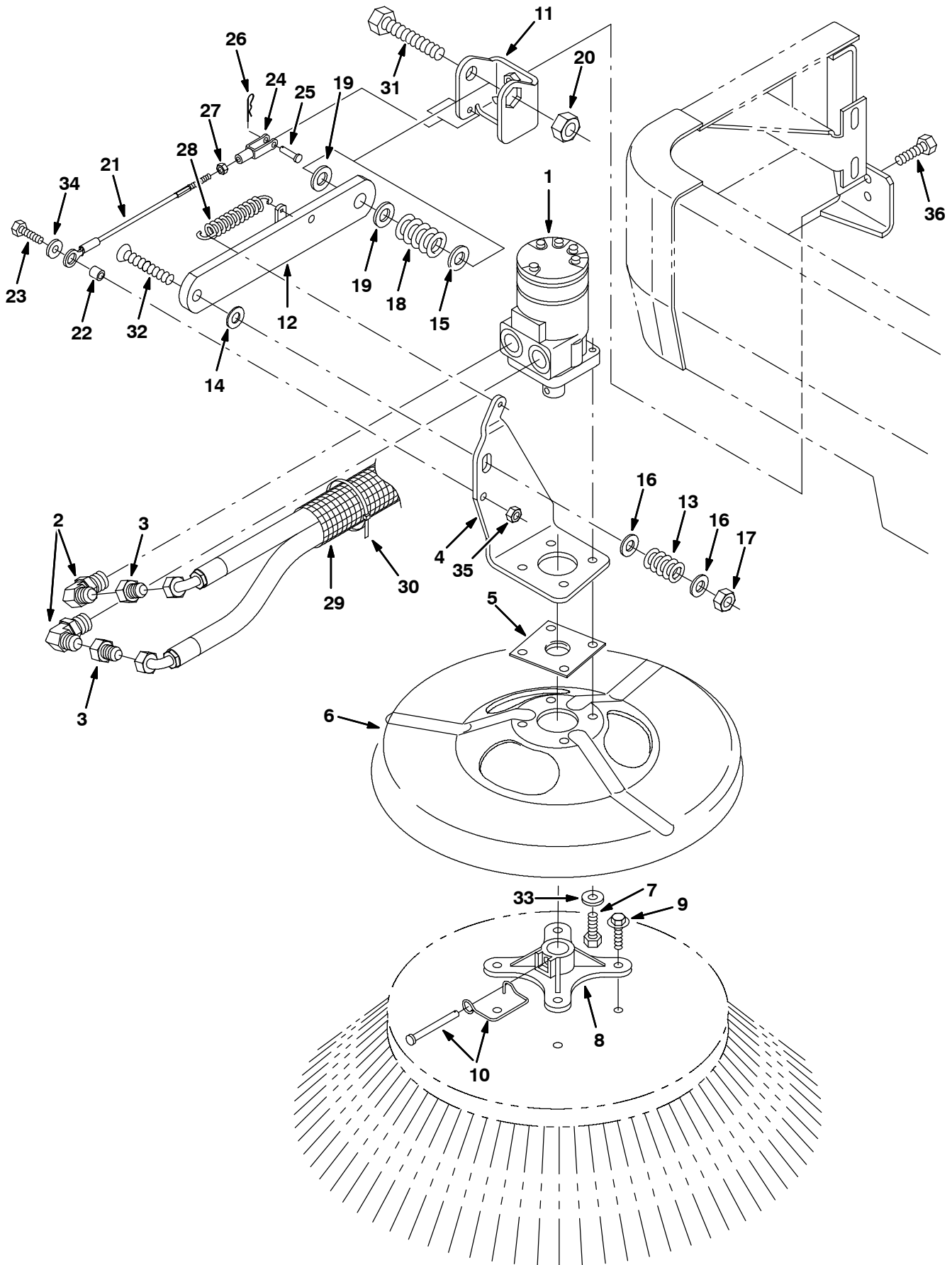




Fig. 31 - Brush Motor and Pivot Group, Side

| Ref. | Part No. | Serial Number | Description                        | Qty. |
|------|----------|---------------|------------------------------------|------|
| 1    | 361014   | (000000-      | ) Motor, Hyd Gear (See Breakdowns) | 1    |
| 2    | 56821    | (000000-      | ) Ftg-Hyd E90 Jm08/Om10            | 2    |
| 3    | 47753    | (000000-      | ) Ftg-Hyd Str Jm06/Jf08            | 2    |
| 4    | 360028   | (000000-      | ) Bracket, Mtg, Motor              | 1    |
| 5    | 16082    | (000000-      | ) Guard, String, Brush Motor       | 1    |
| 6    | 53984    | (000000-      | ) Guard, Brush                     | 1    |
| 7    | 46559    | (000000-      | ) Scr-Hex .38-16X1.25 Nylon Loc    | 4    |
| 8    | 47501    | (000000-      | ) Hub, Brush Adaptor, 1.00B        | 1    |
| 9    | 39396    | (000000-      | ) Scr-Lag .31-09X1.00 Pltd         | 4    |
| 10   | 84581    | (000000-      | ) Pin Assy, Side Brush W/Clip      | 1    |
| 11   | 360027   | (000000-      | ) Bracket, Mtg                     | 1    |
| 12   | 361070   | (000000-      | ) Arm Wldt, Lift                   | 1    |
| 13   | 360357   | (000000-      | ) Spring, Die .50ld 1.00Od 1.25L   | 1    |
| 14   | 59633    | (000000-      | ) Bearing, Thrust - Fiberglide     | 1    |
| 15   | 15331    | (000000-      | ) Washer Flt .62 Sae               | 1    |
| 16   | 32486    | (000000-      | ) Washer Flt .50 Sae               | 2    |
| 17   | 86029    | (000000-      | ) Nut-Hxflexloc .50-13 Thin Pltd   | 1    |
| 18   | 360081   | (000000-      | ) Spring, Die .62ld 1.25Od 1.75L   | 1    |
| 19   | 64425    | (000000-      | ) Washer, .656B 1.25D .06          | 2    |
| 20   | 33342    | (000000-      | ) Nut-Hxlocnyln M16X2.0 Reg Pltd   | 1    |
| 21   | 360078   | (000000-      | ) Cable                            | 1    |
| 22   | 360801   | (000000-      | ) Sleeve, .318B .50D .25 Ss        | 1    |
| 23   | 09010    | (000000-      | ) Scr Hexssm 8X1.25 25             | 1    |
| 24   | 14595-1  | (000000-      | ) Clevis, Adjust.0.25-28Th.Cad.    | 1    |
| 25   | 14605    | (000000-      | ) Pin, Clevis, 0.25 Dia. X 0.75 Lg | 1    |
| 26   | 08085    | (000000-      | ) Pin Hair Cotter .056Dx1.1L       | 1    |
| 27   | 32899    | (000000-      | ) Nut-Hx Jam .25-28 Pltd           | 1    |
| 28   | 29499    | (000000-      | ) Spring, Tens.750Dx.10Wirex4.5    | 1    |
| 29   | 361084   | (000000-      | ) Sleeve, Nyl #27 60.0L            | 1    |
| 30   | 49266    | (000000-      | ) Tie, Cable 1.75D Max 7.5 Lg      | 2    |
| 31   | 06988    | (000000-      | ) Screw, Hex, M16 X 2.0 X 90, 8.8  | 1    |
| 32   | 27108    | (000000-      | ) Screw, Flt, .50-13 X 2.50, Al    | 1    |
| 33   | 32492    | (000000-      | ) Washer, Flat, 0.38 Std           | 4    |
| 34   | 32491    | (000000-      | ) Washer, Flat, 0.31, Std          | 1    |
| 35   | 08709    | (000000-      | ) Nut, Hex, Lock, M8 X 1.25, NI    | 1    |
| 36   | 09028    | (000000-      | ) Screw, Hex, M10 X 1.5 X 25, Ss   | 2    |

**Fig. 32 - Vacuum Fan Control Group**

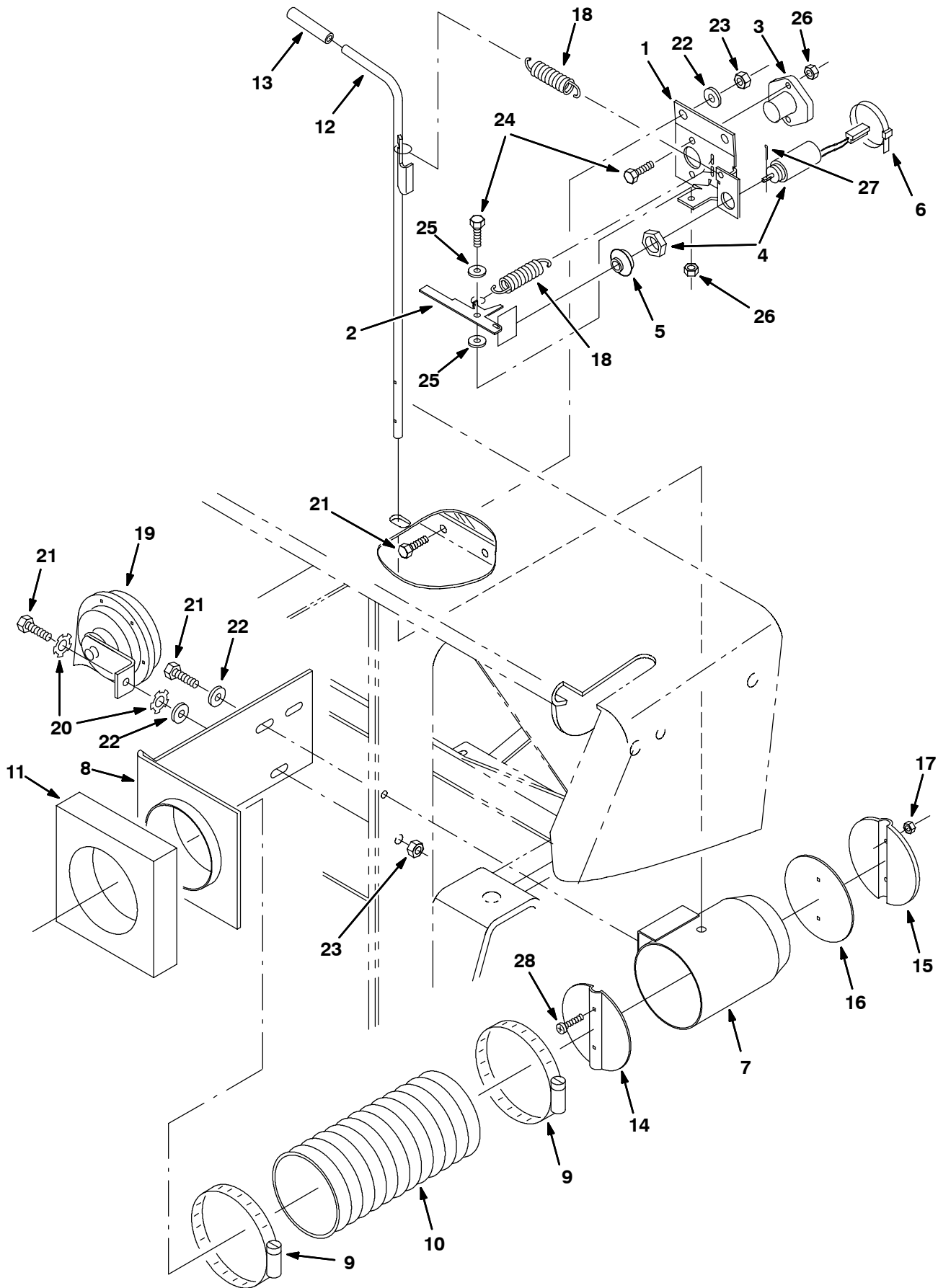


Fig. 32 - Vacuum Fan Control Group

| Ref. | Part No. | Serial Number | Description                         | Qty. |
|------|----------|---------------|-------------------------------------|------|
| 1    | 360660   | (000000-      | ) Bracket, Shaker Switch            | 1    |
| 2    | 375019   | (000000-      | ) Lever, Vac Fan                    | 1    |
| 3    | 44078    | (000000-      | ) Switch, Pushmom, Spst100A 12V     | 1    |
| 4    | 87585    | (000000-      | ) Solenoid Assy. Gas, Lp, De.       | 1    |
| 5    | 87707    | (000000-      | ) Bellows, Solenoid .75-16          | 1    |
| 6    | 49266    | (000000-      | ) Tie, Cable 1.75D Max 7.50Lg       | 1    |
| 7    | 360655   | (000000-      | ) Tube Wldt, Vac Fan                | 1    |
| 8    | 360678   | (000000-      | ) Bracket Wldt, Duct                | 1    |
| 9    | 23498    | (000000-      | ) Clamp-Wormdrive, 2.63- 4.50D      | 2    |
| 10   | 360977   | (000000-      | ) Hose, Flexible 4.0 Id X 8.0 Lg    | 1    |
| 11   | 360979   | (000000-      | ) Seal, Vac Inlet                   | 1    |
| 12   | 360658   | (000000-      | ) Rod Wldt, Damper                  | 1    |
| 13   | 360981   | (000000-      | ) Grip, Vinyl, .375ld X 2.75        | 1    |
| 14   | 46140    | (000000-      | ) Damper Plate                      | 1    |
| 15   | 49300    | (000000-      | ) Damper Weld.                      | 1    |
| 16   | 87983    | (000000-      | ) Seal, Damper                      | 1    |
| 17   | 75939    | (000000-      | ) Nut-Hxlocnyln 06-32 Regss18-8     | 2    |
| 18   | 09087    | (000000-      | ) Sprng,Tens,0.56Odx.05Wire 0.9L    | 2    |
| 19   | 369704   | (000000-      | ) Horn, 12V                         | 1    |
| 20   | 41141    | (000000-      | ) Washer, Lock, Int-Ext, 0.31       | 2    |
| 21   | 39277    | (000000-      | ) Screw, Hex, M8 X 1.25 X 25, 8.8   | 5    |
| 22   | 32491    | (000000-      | ) Washer, Flat, 0.31, Std           | 5    |
| 23   | 07791    | (000000-      | ) Nut, Hex, Flng, M8 X 1.25         | 3    |
| 24   | 06943    | (000000-      | ) Screw, Hex, M6 X 1.00 X 20, 8.8   | 3    |
| 25   | 32483    | (000000-      | ) Washer, Flat, 0.25, Sae           | 2    |
| 26   | 08708    | (000000-      | ) Nut, Hex, Lock, M6 X 1.00, NI     | 3    |
| 27   | 08346    | (000000-      | ) Pin, Cotter, .125 X 0.75          | 1    |
| 28   | 25005    | (000000-      | ) Screw, Pan, Phl, 06-32 X 1.00, G1 | 2    |

Fig. 33 - Vacuum Fan Group

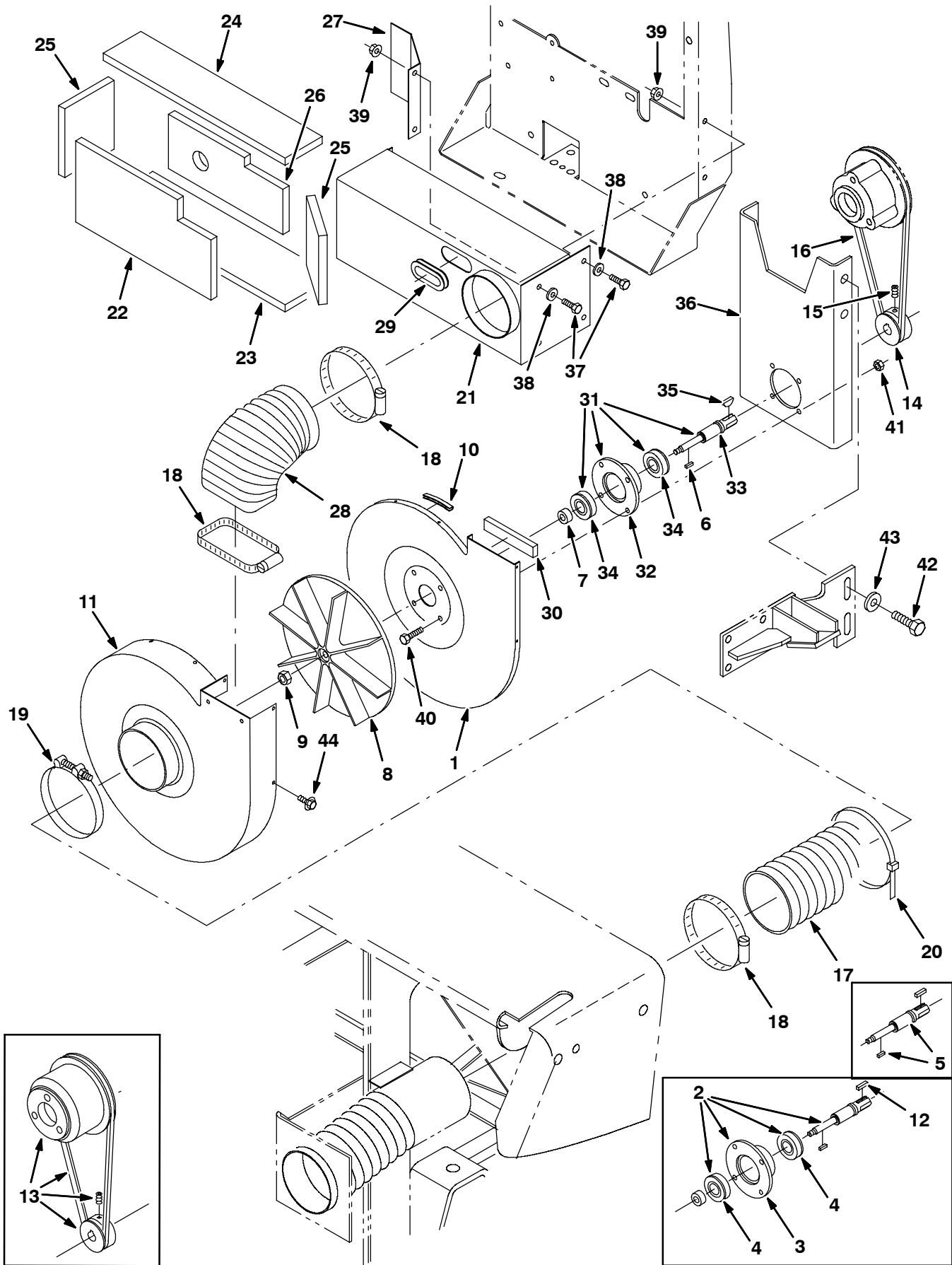


Fig. 33 - Vacuum Fan Group

| Ref. | Part No. | Serial Number | Description   | Qty. |
|------|----------|---------------|---|------|
|      | 1        | 361272        | (000000- ) Plate, Vac Fan W/Label                   | 1    |
| ▽    | 2        | 387388        | (000000-002885 ) Kit, Repair, Shaft Assy            | 1    |
| ▲    | 3        | 41561         | (000000-002885 ) Flange, Bearing                    | 1    |
| ▲    | 4        | 32525         | (000000-002885 ) Bearing-Ball,0.67B 1.57D 0.47W     | 2    |
|      | 5        | 387389        | (000000-002885 ) Kit, Repair, Shaft W/ Key          | 1    |
|      | 6        | 00954         | (000000- ) Key Square 0.12 0.12 00 1.0 Lg           | 1    |
|      | 7        | 10362         | (000000- ) Spacer                                   | 1    |
|      | 8        | 74454         | (000000- ) Impeller, 9.00 Dia X 1.40w x0.376B       | 1    |
|      | 9        | 87299         | (000000- ) Nut-Hx Flexloc .31-24 Thin Pltd          | 1    |
|      | 10       | 59118-6       | (000000- ) Molding, Trim 16Ga & thinr 2.2           | 1    |
|      | 11       | 87624         | (000000- ) Fan Wldt, Housing                        | 1    |
|      | 12       | 00911         | (000000-002885 ) Key Square 0.18 0.18 00.75 Lg      | 1    |
|      | 13       | 9001607       | (000000-004341 ) Drive Kit, Vacfan, Ci [6400 G/Lpg] | 1    |
|      | 14       | 360181        | (004342- ) Sheave, 01grv, 02.6pd 0.63b [3v]         | 1    |
|      | 15       | 39338         | (004342- ) Screw, Set, .31-18 X 0.50, Soc           | 1    |
|      | 16       | 387153        | (004342- ) Belt, V, 35.5l [3v, 3vx]                 | 1    |
|      | 17       | 40870-8       | (000000- ) Hose&2Cuff Assy,Vinyl4.0ldx 50           | 1    |
|      | 18       | 23498         | (000000- ) Clamp-Wormdrive, 2.63- 4.50D             | 3    |
|      | 19       | 02912         | (000000- ) Clamp,Hose-4.0Dia.,Over Center           | 1    |
|      | 20       | 32815         | (000000- ) Tie,Cable 8.00D Max 28.25Lg              | 3    |
| ▽    | 21       | 361296        | (000000- ) Muffler Assy, Vac Fan Wldt Kub           | 1    |
| ▲    | 22       | 361204        | (000000- ) Insulation, Soundfoam                    | 1    |
| ▲    | 23       | 361205        | (000000- ) Insulation, Soundfoam                    | 1    |
| ▲    | 24       | 361206        | (000000- ) Insulation, Soundfoam                    | 1    |
| ▲    | 25       | 361207        | (000000- ) Insulation, Soundfoam                    | 2    |
| ▲    | 26       | 361208        | (000000- ) Insulation, Soundfoam                    | 1    |
|      | 27       | 361203        | (000000- ) Angle, Baffle                            | 1    |
|      | 28       | 361153        | (000000- ) Hose, Flexflyte, Formed                  | 1    |
|      | 29       | 54345         | (000000- ) Grommet, Rbr1.62ld,For .13Matl           | 1    |
|      | 30       | 361327        | (000000- ) Seal, Vac Fan Outlet                     | 1    |
| ▽    | 31       | 387387        | (002886- ) Shaft Assy, Brg                          | 1    |
| ▲    | 32       | 41561         | (002886- ) Bushing Assy, Flng, 4 Hole, 1.57B, Stl   | 1    |
| ▲    | 33       | 387376        | (002886- ) Shaft, Impeller                          | 1    |
| ▲    | 34       | 32525         | (002886- ) Bearing, Ball, 0.67B 1.57D 0.47W         | 2    |
|      | 35       | 00500-10      | (002886- ) Key, Woodruff, 0.19 0.75, [Asa#0606]     | 1    |
|      | 36       | 360736        | (000000- ) Channel, Mtg, Fan                        | 1    |
|      | 37       | 06942         | (000000- ) Screw, Hex, M6 X 1.0 X 16, 8.8           | 5    |
|      | 38       | 19066         | (000000- ) Washer, Flat, #10                        | 5    |
|      | 39       | 07790         | (000000- ) Nut, Hex, Flng, M6 X 1.0                 | 5    |
|      | 40       | 06943         | (000000- ) Screw, Hex, M6 X 1.0 X 20, 8.8           | 4    |
|      | 41       | 08708         | (000000- ) Nut, Hex, Lock, M6 X 1.0, NI             | 4    |
|      | 42       | 03192         | (000000- ) Screw, Hex, M10 X 1.5 X 30, 8.8          | 4    |
|      | 43       | 32492         | (000000- ) Washer, Flat, 0.38 Std                   | 4    |
|      | 44       | 87838         | (000000- ) Screw, Hex, #06-20 X 0.50, Fmg, [Ab]     | 9    |

**Fig. 34 - Hopper Lift Arms Group**

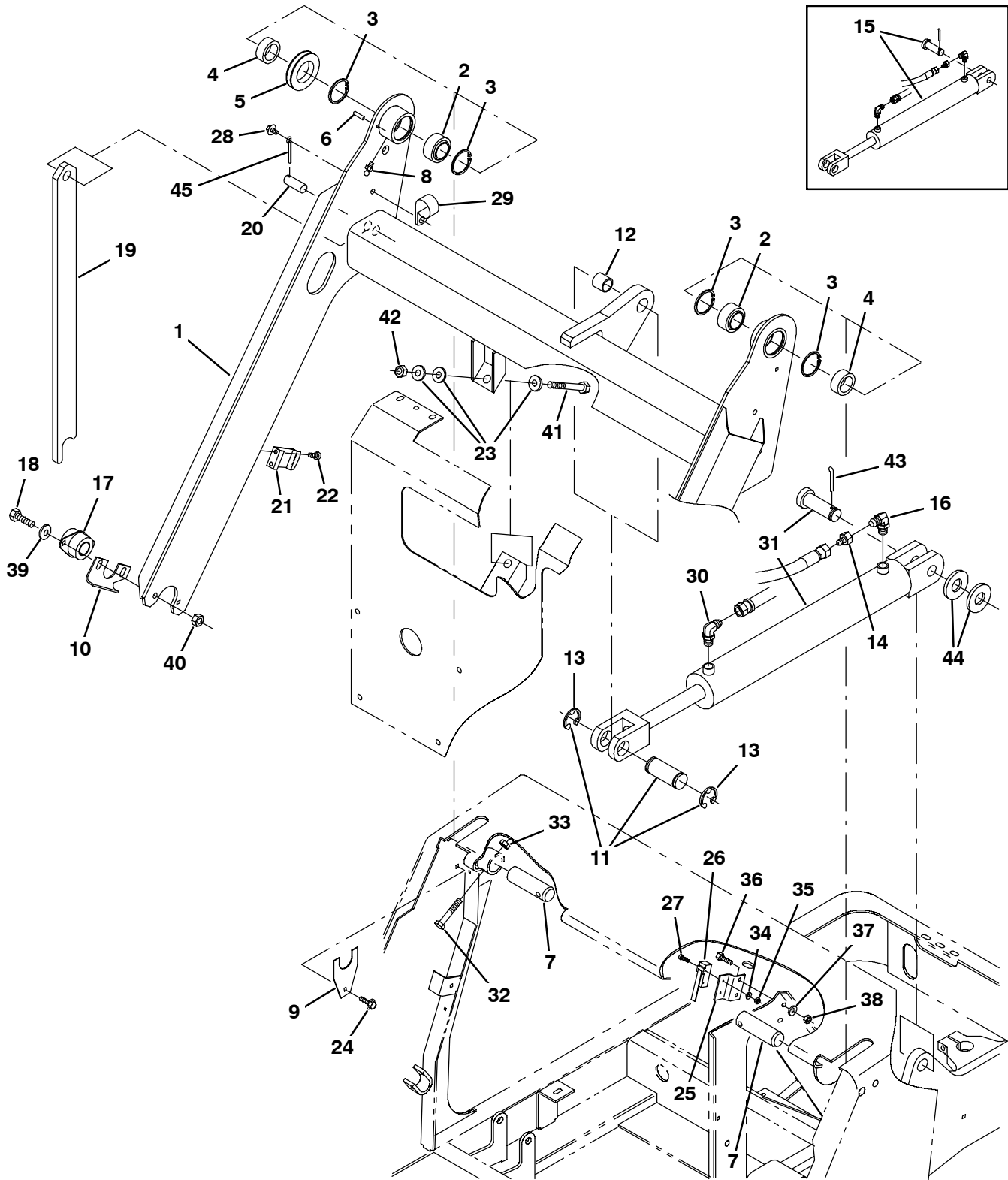


Fig. 34 - Hopper Lift Arms Group

| Ref. | Part No. | Serial Number | Description   | Qty. |
|------|----------|---------------|---|------|
| 1    | 361276   | (000000-      | ) Arm Assy, Lift W/Label                            | 1    |
| 2    | 42120-1  | (000000-      | ) Bearing-Self Align 1.250 Bore                     | 2    |
| 3    | 59542    | (000000-      | ) Ring, Retaining, Intl 2.00Dia                     | 4    |
| 4    | 360455   | (000000-      | ) Sleeve, 1.253B 1.75D .69                          | 2    |
| 5    | 360077   | (000000-      | ) Sheave  | 1    |
| 6    | 17404    | (000000-      | ) Pin, Roll, .25Odx0.75L, .250/.256                 | 1    |
| 7    | 360064   | (000000-      | ) Pin   | 2    |
| 8    | 07259    | (000000-      | ) Ftg, Grease.25-28Th Strt .47L                     | 2    |
| 9    | 360768   | (000000-      | ) Plate, Spacer, Lift Arm                           | 8    |
| 10   | 360903   | (000000-      | ) Bracket, Guard                                    | 1    |
| ▽    | 11       | 361295        | (000000-) Pin Assy, Clevis, Hopper Lift             | 1    |
| ▲    | 12       | 35529         | (000000-) Bearing, Journal                          | 1    |
| ▲    | 13       | 23788         | (000000-) Ring, Retaining                           | 2    |
|      | 14       | 16455         | (000000-) Ftg-Hyd Rst Jm04/.047                     | 1    |
|      | 15       | 361013        | (000000-004890) Cylinder, Hyd 2.5B (See Breakdowns) | 1    |
|      | 16       | 47638         | (000000-) Ftg-Hyd E90 Jm04/Om06                     | 1    |
|      | 17       | 87216         | (000000-) Flange Bearing 1.00 Bore                  | 2    |
|      | 18       | 09028         | (000000-) Scr Hexssm 10X1.5 25                      | 4    |
|      | 19       | 361274        | (000000-) Arm, Safety, W/Label                      | 1    |
|      | 20       | 360386        | (000000-) Pin                                       | 1    |
|      | 21       | 87244         | (000000-) Clip Spring Prop Arm                      | 1    |
|      | 22       | 48732         | (000000-) Screw, Panssm 6X1.0                       | 2    |
|      | 23       | 36328         | (000000-) Washer-Belleville .50 Pltd                | 3    |
|      | 24       | 12459         | (000000-) Scr-Hx Fmgm 6X1.0 20                      | 2    |
|      | 25       | 360766        | (000000-) Bracket                                   | 1    |
|      | 26       | 1008142       | (000000-) Switch, Snap Actn, 250vdc 25a Spdt        | 1    |
|      | 27       | 33933         | (000000-) Scr Pan Ssm 3X0.5 25                      | 2    |
|      | 28       | 74455         | (000000-) Scr-Hx Fmgm 6X1.0 12                      | 1    |
|      | 29       | 86328         | (000000-) Clamp, Cable 1.5 Dia                      | 1    |
|      | 30       | 56820         | (000000-) Ftg-Hyd E90 Jm06/Om06                     | 1    |
|      | 31       | 1026362       | (004891-) Cylinder, Hyd, Hopper Lift                | 1    |
|      | 32       | 06957         | (000000-) Screw, Hex, M8 X 1.25 X 60, 8.8           | 2    |
|      | 33       | 08709         | (000000-) Nut, Hex, Lock, M8 X 1.25, NI             | 2    |
|      | 34       | 39658         | (000000-) Washer, Lock, Int, #04                    | 2    |
|      | 35       | 01754         | (000000-) Nut, Hex, Std, M3 X 0.5, 8                | 2    |
|      | 36       | 06943         | (000000-) Screw, Hex, M6 X 1.0 X 20, 8.8            | 2    |
|      | 37       | 32490         | (000000-) Washer, Flat, 0.25 Std                    | 2    |
|      | 38       | 08708         | (000000-) Nut, Hex, Lock, M6 X 1.0, NI              | 2    |
|      | 39       | 32492         | (000000-) Washer, Flat, 0.38 Std                    | 4    |
|      | 40       | 07792         | (000000-) Nut, Hex, Flng, M10 X 1.5                 | 4    |
|      | 41       | 34877         | (000000-) Screw, Hex, M10 X 1.5 X 100, 8.8          | 1    |
|      | 42       | 41430         | (000000-) Nut, Hex, Lock, M10 X 1.5, NI             | 1    |
|      | 43       | 08298         | (000000-) Pin, Cotter, .187 X 1.75                  | 1    |
|      | 44       | 32598         | (000000-) Washer, Flat, 1.02b 1.75d .12, Stl        | 2    |
|      | 45       | 08361         | (000000-) Pin, Cotter, .250 X 1.25                  | 1    |

Fig. 35 - Hopper Group

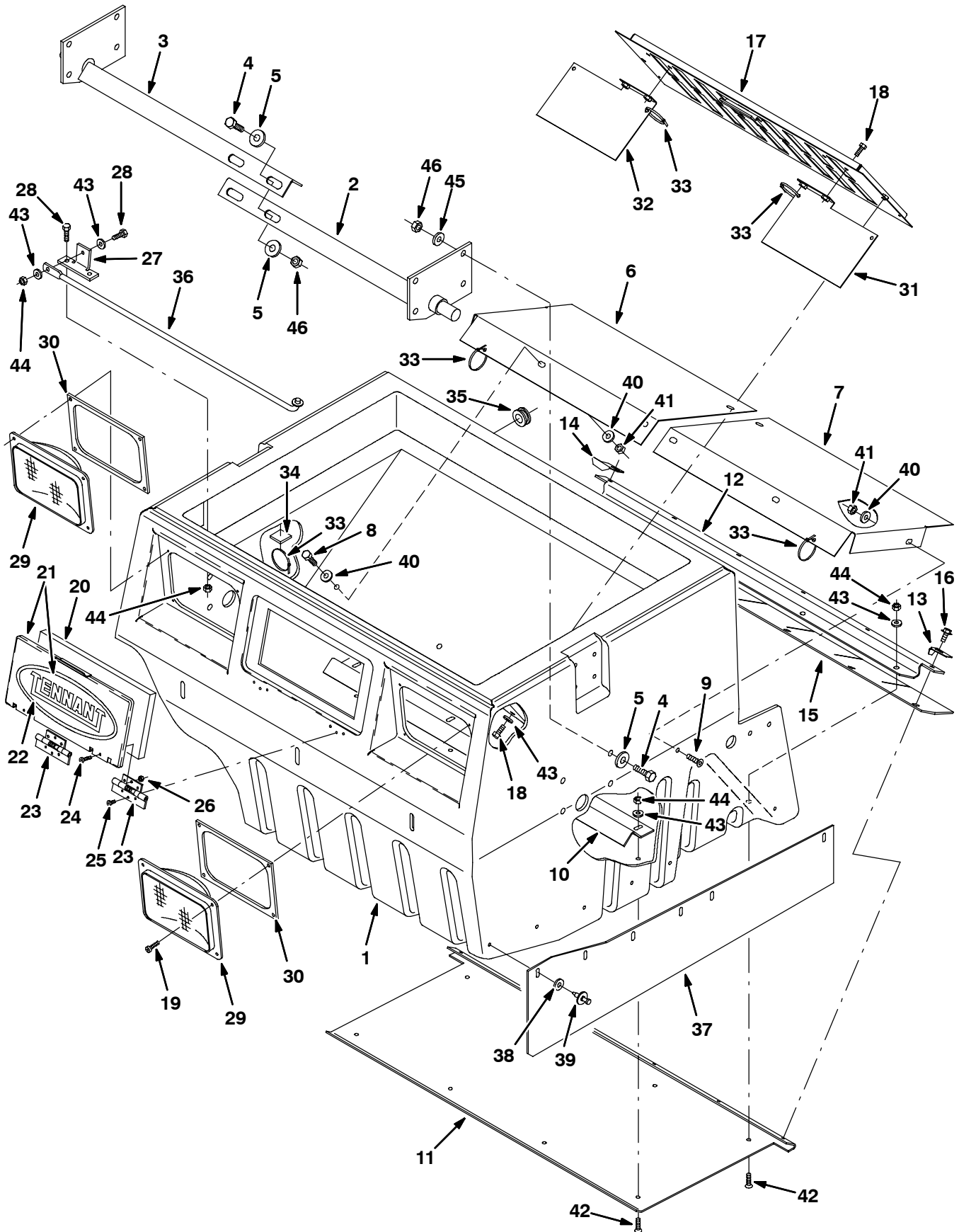




Fig. 35 -Hopper Group

| Ref. | Part No. | Serial Number | Description                                | Qty. |
|------|----------|---------------|--|------|
| 1    | 360042   | (000000-      | ) Hopper                                   | 1    |
| 2    | 360192   | (000000-      | ) Plate Wldt, Pivot, Lh                    | 1    |
| 3    | 360193   | (000000-      | ) Plate Wldt, Pivot, Rh                    | 1    |
| 4    | 12317    | (000000-      | ) Scr Hexssm10X1.5 30                      | 6    |
| 5    | 41619    | (000000-      | ) Washer Flt .50 Ss                        | 8    |
| 6    | 360334   | (000000-      | ) Panel, Debris, Rh                        | 1    |
| 7    | 360335   | (000000-      | ) Panel, Debris, Lh                        | 1    |
| 8    | 09740    | (000000-      | ) Scr Hexssm 8X1.25                        | 4    |
| 9    | 74077    | (000000-      | ) Screw, Flat,M 8X1.25 Ss 18-8             | 2    |
| 10   | 360426   | (000000-      | ) Angle, Bottom Stiffener                  | 1    |
| 11   | 360191   | (000000-      | ) Plate, Wear                              | 1    |
| 12   | 360194   | (000000-      | ) Strip, Retainer, Hopper Lip              | 1    |
| 13   | 360893   | (000000-      | ) Deflector, Hopper, Lh                    | 1    |
| 14   | 360894   | (000000-      | ) Deflector, Hopper, Rh                    | 1    |
| 15   | 360327   | (000000-      | ) Skirt, Lip                               | 1    |
| 16   | 361339   | (000000-      | ) Scr-Hxfmgm 6X1.0 16 Pltd                 | 6    |
| 17   | 360908   | (000000-      | ) Panel Wldt, Perma-Filter                 | 1    |
| 18   | 15678    | (000000-      | ) Screw Hexssm 6X1.0                       | 2    |
| 19   | 360943   | (000000-      | ) Scr-Pan 10-14X0.75 F/Plst Pl             | 8    |
| 20   | 360890   | (000000-      | ) Seal, Door, Access                       | 1    |
| ▽    | 21       | 360328        | (000000-) Door, Access W/Label             | 1    |
| ▲    | 22       | 09806         | (000000-) Label, Tennant Logo              | 1    |
| ▽    |          | 375134        | (000000-) Hinge Set, Access, Door, Painted | 1    |
| ▲    | 23       | 375133        | (000000-) Hinge, Access, Door, Painted     | 2    |
| ▲    | 24       | 49697         | (000000-) Scr Pan Ssm 4X0.7 25             | 2    |
| ▲    | 25       | 12323         | (000000-) Scr Panssm 4X0.7 20              | 6    |
| ▲    | 26       | 33932         | (000000-) Nut Hxlocnyln M 4X 0.7 Reg Ss    | 8    |
|      | 27       | 360430        | (000000-) Bracket, Support, Cover          | 1    |
|      | 28       | 08716         | (000000-) Screw Hex Ssm 6 X 1.0 20         | 3    |
| ▽    | 29       | 360822        | (000000-) Headlight Assy, 12V              | 2    |
| ▲    |          | 45779         | (000000-) Bulb                             | 1    |
|      | 30       | 360604        | (000000-) Seal, Headlight                  | 1    |
|      | 31       | 360909        | (000000-) Plate, Cover, Headlight Lh       | 1    |
|      | 32       | 360910        | (000000-) Plate, Cover, Headlight, Rh      | 1    |
|      | 33       | 49266         | (000000-) Tie, Cable 1.75D Max 7.50Lg      | 6    |
|      | 34       | 55248         | (000000-) Cabletie Mount, Adhesive         | 3    |
|      | 35       | 10632-18      | (000000-) Grommet,Rbr,0.69ld,For .25Matl   | 1    |
|      | 36       | 360429        | (000000-) Rod Wldt, Cover                  | 1    |
|      | 37       | 360786        | (000000-) Skirt, Side Brush                | 1    |
|      | 38       | 41178         | (000000-) Washer-Flt .25 Fender Pltd       | 6    |
|      | 39       | 72968         | (000000-) Rivet, Plastic .250X.898         | 6    |
|      | 40       | 32491         | (000000-) Washer, Flat, 0.31, Std          | 10   |
|      | 41       | 08709         | (000000-) Nut, Hex, Lock, M8 X 1.25, NI    | 6    |
|      | 42       | 06415         | (000000-) Screw, Flt, M6 X 1.0 X 25, 10.9  | 8    |
|      | 43       | 32490         | (000000-) Washer, Flat, 0.25 Std           | 14   |
|      | 44       | 08708         | (000000-) Nut, Hex, Lock, M6 X 1.0, NI     | 11   |
|      | 45       | 32492         | (000000-) Washer, Flat, 0.38 Std           | 4    |
|      | 46       | 41430         | (000000-) Nut, Hex, Lock, M10 X 1.5, NI    | 6    |

Fig. 36 - Hopper Cover and Bumper Group

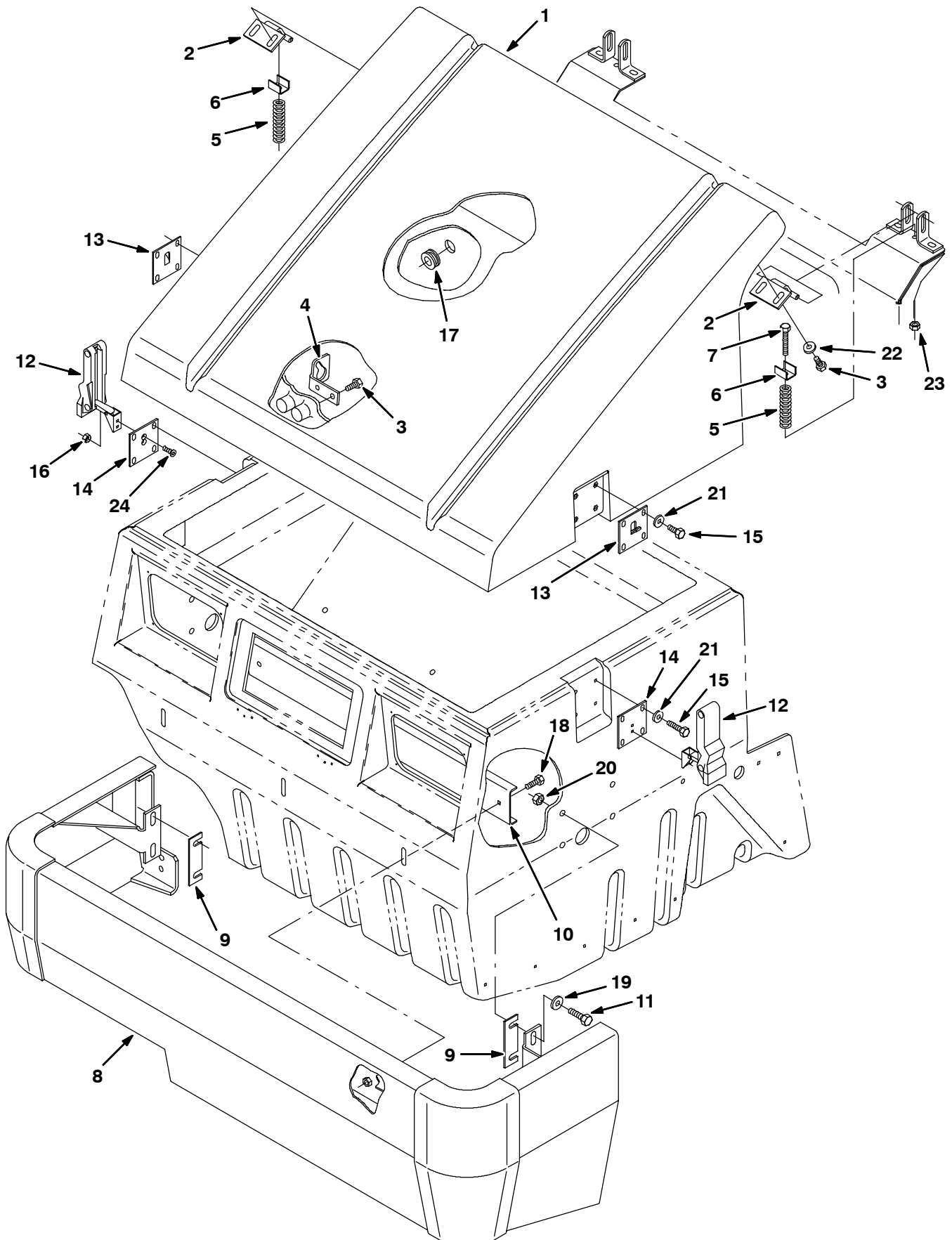


Fig. 36 - Hopper Cover and Bumper Group

| Ref. | Part No. | Serial Number | Description                             | Qty. |
|------|----------|---------------|---|------|
| 1    | 360026   | (000000-      | ) Cover, Hopper                         | 1    |
| 2    | 360332   | (000000-      | ) Bracket Wldt, Hinge                   | 2    |
| 3    | 15675    | (000000-      | ) Scr Hexssm 8X1.25 16                  | 6    |
| 4    | 360428   | (000000-      | ) Bracket, Support, Cover               | 1    |
| 5    | 360608   | (000000-      | ) Spring, Comp, .72 Od X 3.25 L         | 2    |
| 6    | 361054   | (000000-      | ) Bracket, Clip                         | 2    |
| 7    | 222504   | (000000-      | ) Scr Hexssm 8X1.25 55                  | 2    |
| 8    | 360436   | (000000-      | ) Bumper Wldt, Front                    | 1    |
| 9    | 360889   | (000000-      | ) Shim, Front Bumper                    | 5    |
| 10   | 360602   | (000000-      | ) Plate, Support, Bumper                | 1    |
| 11   | 361333   | (000000-      | ) Scr Hexssm10X1.5 40                   | 4    |
| 12   | 360824   | (000000-      | ) Latch, Hopper                         | 2    |
| 13   | 360941   | (000000-      | ) Plate, Keeper                         | 2    |
| 14   | 360610   | (000000-      | ) Plate, Latch                          | 2    |
| 15   | 09744    | (000000-      | ) Scr Hexssm 6X1.0 12                   | 16   |
| 16   | 06549    | (000000-      | ) Nut, Hex, Lock, M5 X 0.80, NI         | 4    |
| 17   | 10632-18 | (000000-      | ) Grommet,Rbr,0.69ld,For .25Matl        | 1    |
| 18   | 39277    | (000000-      | ) Screw, Hex, M8 X 1.25 X 25, 8.8       | 3    |
| 19   | 32492    | (000000-      | ) Washer, Flat, 0.38, Std               | 4    |
| 20   | 41430    | (000000-      | ) Nut, Hex, Lock, M10 X 1.5, NI         | 4    |
| 21   | 32490    | (000000-      | ) Washer, Flat, 0.25, Std               | 16   |
| 22   | 32491    | (000000-      | ) Washer, Flat, 0.31, Std               | 4    |
| 23   | 08709    | (000000-      | ) Nut, Hex, Lock, M8 X 1.25, NI         | 2    |
| 24   | 360826   | (000000-      | ) Screw, Flt, Soc, M5 X 0.80 X 12, 10.9 | 4    |

Fig. 37 - Hopper Dump Door Group

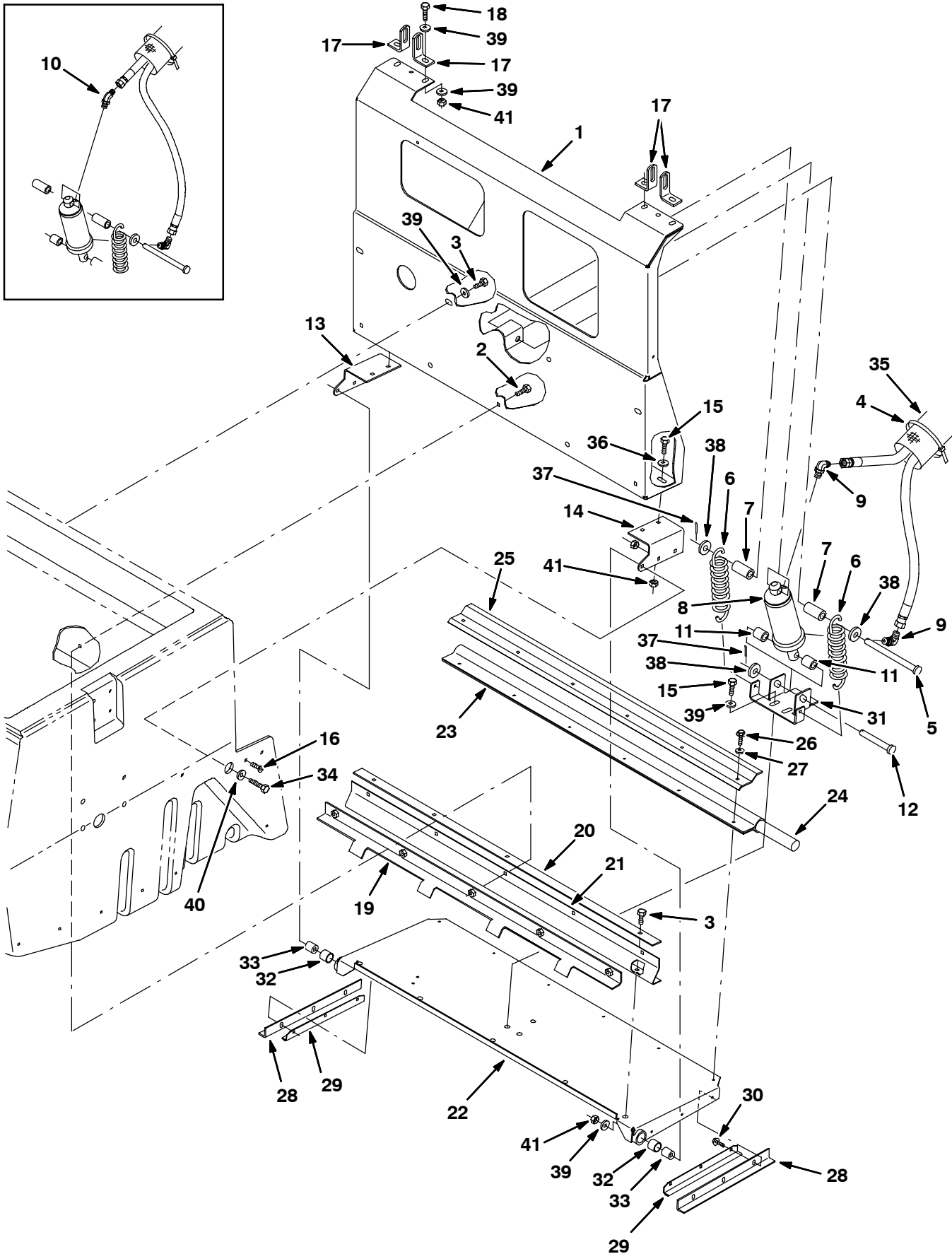


Fig. 37 - Hopper Dump Door Group

| Ref. | Part No. | Serial Number  | Description                                | Qty. |
|------|----------|----------------|--|------|
| 1    | 360185   | (000000-       | ) Plate Wldt, Back, Hopper                 | 1    |
| 2    | 12273    | (000000-       | ) Scr-Hexssm 8X1.25 20 Nynloc              | 5    |
| 3    | 15675    | (000000-       | ) Scr Hexssm 8X1.25                        | 9    |
| 4    | 49266    | (000000-       | ) Tie, Cable 1.75D Max 7.50Lg              | 2    |
| 5    | 51225-1  | (000000-       | ) Pin,Clevis,0.50 Dia.X 6.00 Lg            | 1    |
| 6    | 360606   | (000000-       | ) Spring, Tension                          | 2    |
| 7    | 360848   | (000000-       | ) Spacer, .56 Id X 1.82L                   | 2    |
| 8    | 1038176  | (000000-       | ) Cylinder, Hyd, 2.0b 08.0l 04.00strk 2500 | 1    |
| 9    | 77097    | (000000-       | ) Ftg-Hyd E90 Jm04/Om04                    | 2    |
| 10   | 34359    | (000000-003385 | ) Ftg-Hyd E45 Jm04/Om04                    | 1    |
| 11   | 360427   | (000000-       | ) Spacer, Mtg, Cyl                         | 2    |
| 12   | 06474A   | (000000-       | ) Pin,Clevis,0.50 Dia.X 3.50 Lg            | 1    |
| 13   | 360434   | (000000-       | ) Bracket, Mtg, Back Plate, Rh             | 1    |
| 14   | 360435   | (000000-       | ) Bracket,Mtg, Back Plate, Lh              | 1    |
| 15   | 09740    | (000000-       | ) Scr Hexssm 8X1.25                        | 7    |
| 16   | 79246    | (000000-       | ) Screw-Flat M 8X1.25                      | 4    |
| 17   | 360333   | (000000-       | ) Hinge, Leaf                              | 4    |
| 18   | 09010    | (000000-003385 | ) Scr Hexssm 8X1.25 25                     | 4    |
| 18   | 09740    | (003386-       | ) Screw, Hex, M8 X 1.25 X 20, Ss           | 4    |
| 19   | 360337   | (000000-       | ) Strip Wldt, Door Seal                    | 1    |
| 20   | 360338   | (000000-       | ) Strip, Retainer                          | 1    |
| 21   | 360336   | (000000-       | ) Seal, Dump Door, Top                     | 1    |
| 22   | 360421   | (000000-       | ) Door Wldt, Dump                          | 1    |
| 23   | 360603   | (000000-       | ) Seal Wrap, Dump Door                     | 1    |
| 24   | 87689    | (000000-       | ) Sponge Cord                              | 1    |
| 25   | 360340   | (000000-       | ) Strip, Retainer, Dump Door               | 1    |
| 26   | 12459    | (000000-003385 | ) Scr-Hxfmgm 6X1.0 20 Pltd                 | 6    |
| 26   | 361339   | (003386-       | ) Screw, Hex, M6 X 1.0 X 16, Fmg           | 6    |
| 27   | 01684    | (000000-       | ) Washer Flt .25 Ss                        | 6    |
| 28   | 360844   | (000000-       | ) Seal, Dump Door, Side                    | 2    |
| 29   | 360424   | (000000-       | ) Strip, Retainer, Door, Side              | 2    |
| 30   | 74455    | (000000-       | ) Scr-Hx Fmgm 6X1.0 12                     | 6    |
| 31   | 360888   | (000000-       | ) Bracket, Cylinder, Mtg                   | 1    |
| 32   | 64379    | (000000-       | ) Bearing, Journal                         | 2    |
| 33   | 87104    | (000000-       | ) Bushing, Door Pivot                      | 2    |
| 34   | 09026    | (000000-       | ) Scr Hexssm 8X1.25 40                     | 2    |
| 35   | 82833    | (000000-       | ) Sleeve-Nyln #20 35.0L                    | 1    |
| 36   | 01685    | (000000-       | ) Washer, Flat, 0.38b 0.88d .08, Ss        | 4    |
| 37   | 08182    | (000000-       | ) Pin, Cotter, .125 X 1.00                 | 2    |
| 38   | 32486    | (000000-       | ) Washer Flat,0.50,Sae                     | 3    |
| 39   | 32491    | (000000-       | ) Washer, Flat, 0.31, Std                  | 18   |
| 40   | 32492    | (000000-       | ) Washer, Flat, 0.38, Std                  | 2    |
| 41   | 08709    | (000000-       | ) Nut, Hex, Lock, M8 X 1.25, NI            | 12   |

**Fig. 38 - Hopper Filter Box Group (000000-005315)**

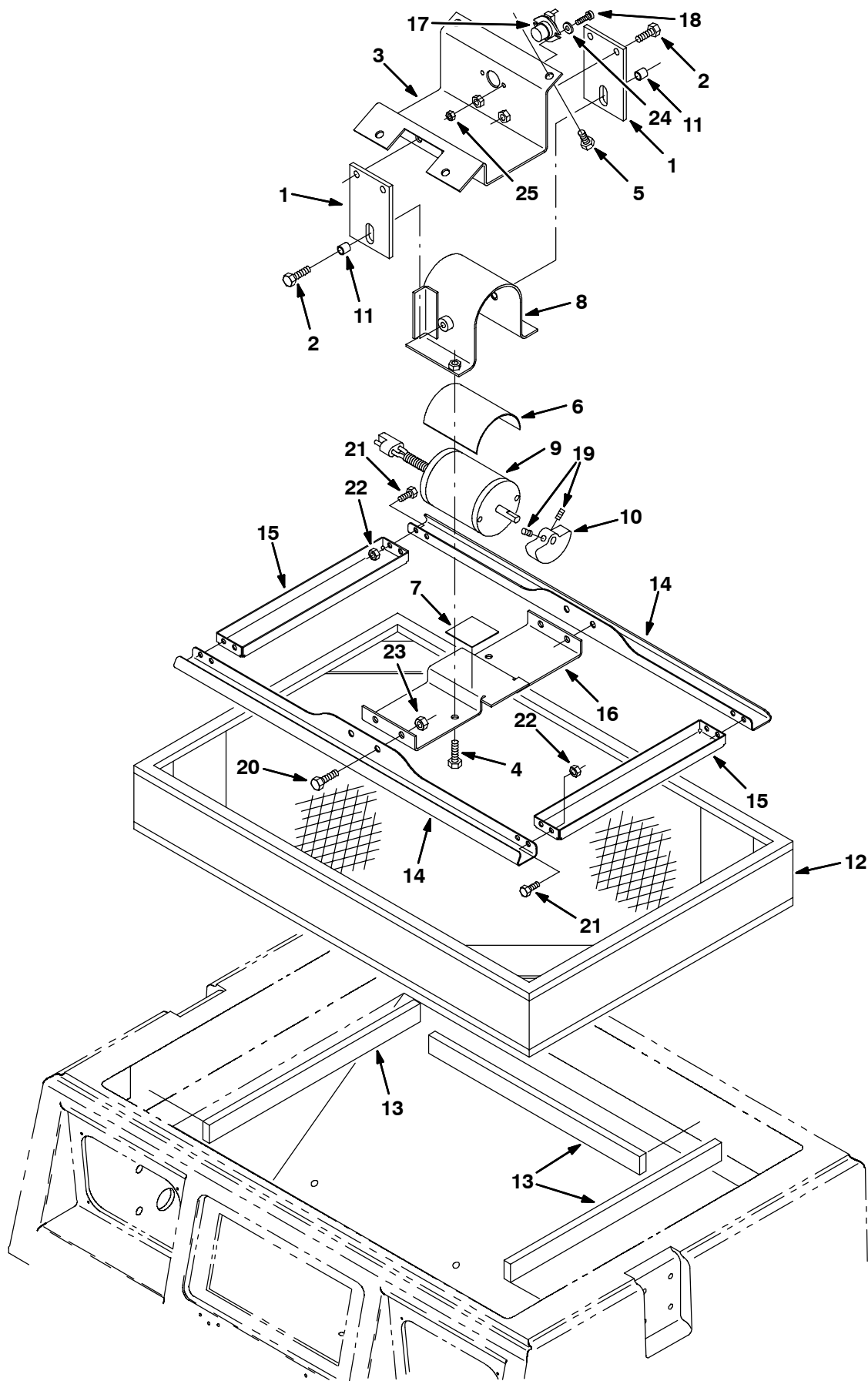


Fig. 38 - Hopper Filter Box Group (000000-005315)

| Ref. | Part No. | Serial Number    | Description                           | Qty. |
|------|----------|------------------|---------------------------------------|------|
| 1    | 360808   | (000000-005315 ) | Plate, Mtg, Shaker                    | 2    |
| 2    | 12333    | (000000-005315 ) | Scr-Hexssm 8X1.25 25 Nyloloc          | 6    |
| 3    | 360809   | (000000-005315 ) | Bracket, Support, Shaker              | 1    |
| 4    | 12273    | (000000-005315 ) | Scr-Hexssm 8X1.25 20 Nyloloc          | 2    |
| 5    | 15675    | (000000-005315 ) | Scr Hexssm 8X1.25                     | 4    |
| 6    | 36658    | (000000-005315 ) | Bar-Flt .06T 4.00W 5.00L,Rbr          | 1    |
| 7    | 36661    | (000000-005315 ) | Bar-Flt .06T 1.00W 4.00L,Rbr          | 1    |
| 8    | 360820   | (000000-005315 ) | Strap Wldt, Motor                     | 1    |
| 9    | 54121    | (000000-005315 ) | Motor,Elec Shaker 12V                 | 1    |
| 10   | 1049243  | (000000-005315 ) | Weight, Eccentric                     | 1    |
| 11   | 360957   | (000000-005315 ) | Sleeve, .375B .50D .50 Stlzn          | 2    |
| 12   | 1037207  | (000000-005315 ) | Filter, Panl, Dust, 3.6 X 20.0 X 30.0 | 1    |
| 12   | 370153   | (000000-005315 ) | Syn. Filter Pkg, Panel, 61Pleats      | 1    |
| 13   | 360199   | (000000-005315 ) | Seal, Spacer, Filter                  | 3    |
| 14   | 360952   | (000000-005315 ) | Plate, Shaker, Bar                    | 2    |
| 15   | 360949   | (000000-005315 ) | Plate, Shaker, Side                   | 2    |
| 16   | 360955   | (000000-005315 ) | Plate, Motor, Shaker                  | 1    |
| 17   | 87546    | (000000-005315 ) | Thermostat, Spst Switch               | 1    |
| 18   | 49697    | (000000-005315 ) | Screw, Pan, M4 X 0.7 X 10, Ss         | 2    |
| 19   | 20634    | (000000-005315 ) | Scr-Set 10-24X0.25 Nylon Loc          | 2    |
| 20   | 49826    | (000000-005315 ) | Scr-Hexssm 8X1.25 16 Nylon Loc        | 4    |
| 21   | 87308    | (000000-005315 ) | Screw, Hex, M6 X 1.0 X 12, 8.8        | 8    |
| 22   | 08708    | (000000-005315 ) | Nut, Hex, Lock, M6 X 1.0, NI          | 8    |
| 23   | 39311    | (000000-005315 ) | Nut, Hex, Std, M8 X 1.25              | 4    |
| 24   | 19065    | (000000-005315 ) | Washer, Flat, #08                     | 2    |
| 25   | 02850    | (000000-005315 ) | Nut, Hex, Lock, M4 X 0.70, NI         | 2    |

Fig. 39 - Hopper Filter Box Group (005316- )

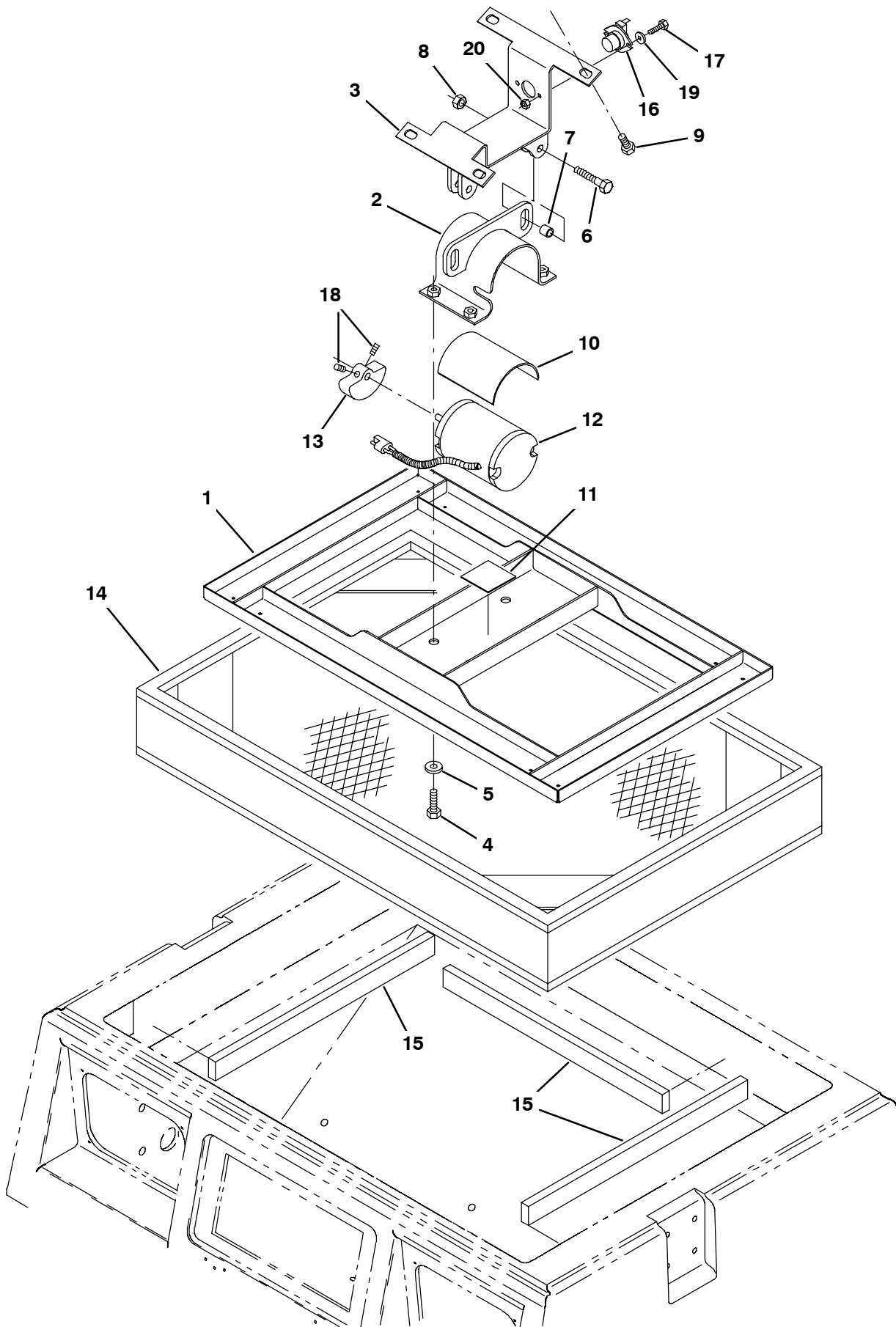




Fig. 39 - Hopper Filter Box Group (005316- )

| Ref. | Part No. | Serial Number | Description                                | Qty. |
|------|----------|---------------|--|------|
| 1    | 1041444  | (005316-      | ) Shaker Wldt, Frame                       | 1    |
| 2    | 1041551  | (005316-      | ) Strap Wldt, Shakr                        | 1    |
| 3    | 1041814  | (005316-      | ) Bracket Wldt, Sppt, Shakr                | 1    |
| 4    | 12273    | (005316-      | ) Screw, Hex, M8 X 1.25 X 20, NI, Ss       | 4    |
| 5    | 32491    | (005316-      | ) Washer, Flat, 0.31, Std                  | 4    |
| 6    | 09026    | (005316-      | ) Screw, Hex, M8 X 1.25 X 40, Ss           | 2    |
| 7    | 360957   | (005316-      | ) Tube, 0.38id 0.50od 00.5l, Stl [H/T]H/T] | 2    |
| 8    | 08709    | (005316-      | ) Nut, Hex, Lock, M8 X 1.25, NI            | 2    |
| 9    | 15675    | (005316-      | ) Screw, Hex, M8 X 1.25 X 16, Ss           | 4    |
| 10   | 36658    | (005316-      | ) Strip, Rbr, 0.06 04.00w 05.0l [Neo/60]   | 1    |
| 11   | 36661    | (005316-      | ) Gasket, Neo, .06, 02.00w 02.00l, Adh     | 1    |
| 12   | 54121    | (005316-      | ) Motor, Ele, 12vdc 1375rpm 0.08hp 08.4a   | 1    |
| 13   | 1049243  | (005316-      | ) Weight, Eccentric                        | 1    |
| 14   | 1037207  | (005316-      | ) Filter, Panl, Dust, 3.6 X 20.0 X 30.0    | 1    |
| 14   | 1041616  | (005316-      | ) Filter, Panl, Syn, 4.2 X 20.0 X 30.0     | 1    |
| 15   | 360199   | (005316-      | ) Seal, Rbr, Clsd, 0.50, 1.2w 16.0l Adh    | 3    |
| 16   | 87546    | (005316-      | ) Sensor, Thermal, 140deg, No, Spst        | 1    |
| 17   | 49697    | (005316-      | ) Screw, Pan, Phl, M4 X 0.70 X 10, Ss      | 2    |
| 18   | 20634    | (005316-      | ) Screw, Set, Soc, 10-24 X 0.25, NI        | 2    |
| 19   | 19065    | (005316-      | ) Washer, Flat, 08                         | 2    |
| 20   | 02850    | (005316-      | ) Nut, Hex, Lock, M4 X 0.70, NI            | 2    |

Fig. 40 - Hydraulic Reservoir Group

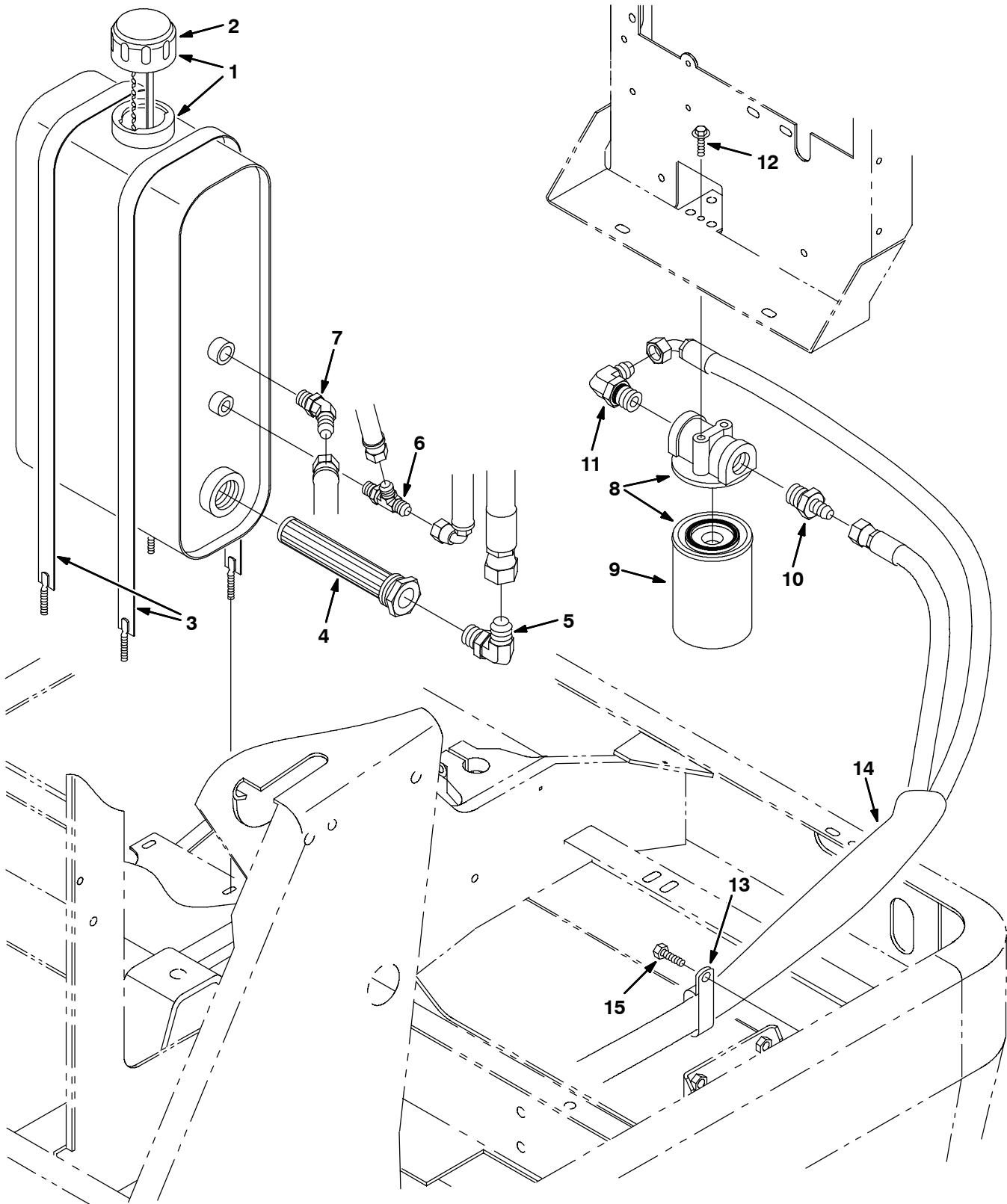


Fig. 40 - Hydraulic Reservoir Group

|   | Ref. | Part No. | Serial Number | Description                      | Qty. |
|---|------|----------|---------------|----------------------------------|------|
| ▽ | 1    | 361270   | (000000-      | ) Reservoir Assy, Hyd W/Label    | 1    |
| ▲ | 2    | 360991   | (000000-      | ) Breather, Hyd Cap 5.2Ds Chain  | 1    |
| ▲ |      | 70006    | (000000-      | ) Gasket, Hyd Cap                | 1    |
|   | 3    | 360098   | (000000-      | ) Strap Wldt, Fuel Tank          | 2    |
|   | 4    | 361023   | (000000-      | ) Strainer, Hyd 10Gpm 100Mesh    | 1    |
|   | 5    | 46481    | (000000-      | ) Ftg-Hyd E90 Jm12/Om12          | 1    |
|   | 6    | 76316    | (000000-      | ) Ftg-Hyd Tee Jm06Jmom           | 1    |
|   | 7    | 47513    | (000000-      | ) Ftg-Hyd E45 Jm08/Om10          | 1    |
| ▽ | 8    | 55619    | (000000-      | ) Filter Assy, Spin-On 10Micron  | 1    |
| ▲ | 9    | 55740    | (000000-      | ) Filter, Hydraulic Oil, Spin On | 1    |
|   | 10   | 42227    | (000000-      | ) Ftg-Hyd Str Jm08/Om12          | 1    |
|   | 11   | 47655    | (000000-      | ) Ftg-Hyd E90 Jm08/Om12          | 1    |
|   | 12   | 16949    | (000000-      | ) Scr-Hex .25-20X0.75 Sems Pltd  | 2    |
|   | 13   | 67366    | (000000-      | ) Clamp, Tube-Double             | 1    |
|   | 14   | 31646    | (000000-      | ) Sleeve-Nyln #24 25.0L          | 1    |
|   | 15   | 12459    | (000000-      | ) Scr-Hxfmgm 6X1.0 20 Pltd       | 1    |

Fig. 41 - Hydraulic Pumps Group

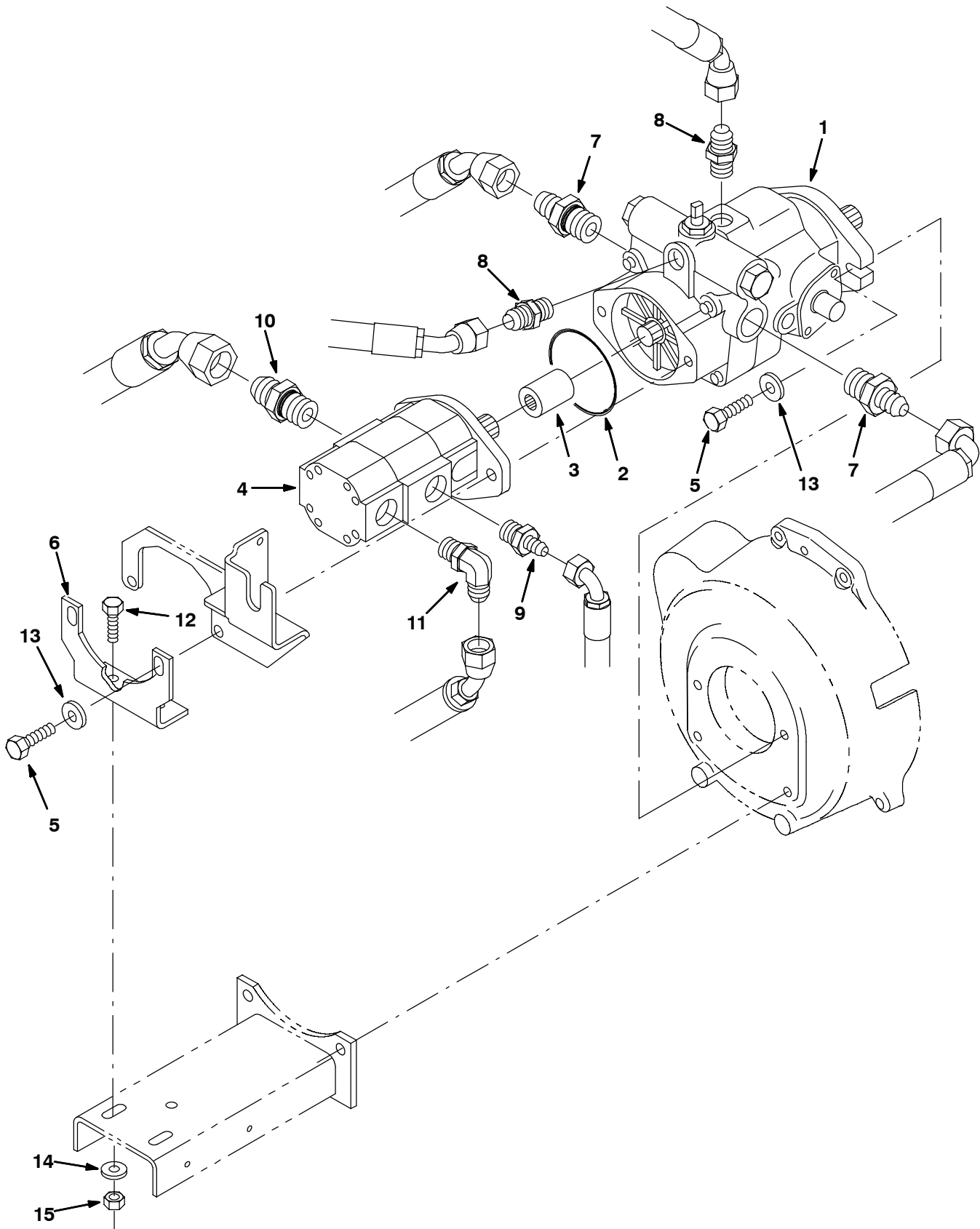


Fig. 41 - Hydraulic Pumps Group

| Ref. | Part No. | Serial Number | Description                         | Qty. |
|------|----------|---------------|-------------------------------------|------|
| 1    | 361010   | (000000-      | ) Pump, Hyd Piston (See Breakdowns) | 1    |
| 2    | 65145-1  | (000000-      | ) O-Ring Gland                      | 1    |
| 3    | 71721    | (000000-      | ) Coupler, Hyd Pump                 | 1    |
| 4    | 361018   | (000000-      | ) Pump, Hyd Gear (See Breakdowns)   | 1    |
| 5    | 46559    | (000000-      | ) Scr-Hex .38-16X1.25 Nylon Loc     | 4    |
| 6    | 360729   | (000000-      | ) Bracket, Pump                     | 1    |
| 7    | 42223    | (000000-      | ) Ftg-Hyd Str Jm10/Om12             | 2    |
| 8    | 44869    | (000000-      | ) Ftg-Hyd Str Jm08/Om08             | 2    |
| 9    | 52402    | (000000-      | ) Ftg-Hyd Str Jm06/Om08             | 1    |
| 10   | 06750    | (000000-      | ) Ftg-Hyd Str Jm12/Om10             | 1    |
| 11   | 47512    | (000000-      | ) Ftg-Hyd E90 Jm06/Om08             | 1    |
| 12   | 39277    | (000000-      | ) Screw, Hex, M8 X 1.25 X 25, 8.8   | 2    |
| 13   | 32485    | (000000-      | ) Washer, Flat, 0.38, Sae           | 4    |
| 14   | 32491    | (000000-      | ) Washer, Flat, 0.31, Std           | 2    |
| 15   | 08709    | (000000-      | ) Nut, Hex, Lock, M8 X 1.25, NI     | 2    |

Fig. 42 - Hydraulic Pump Linkage Group

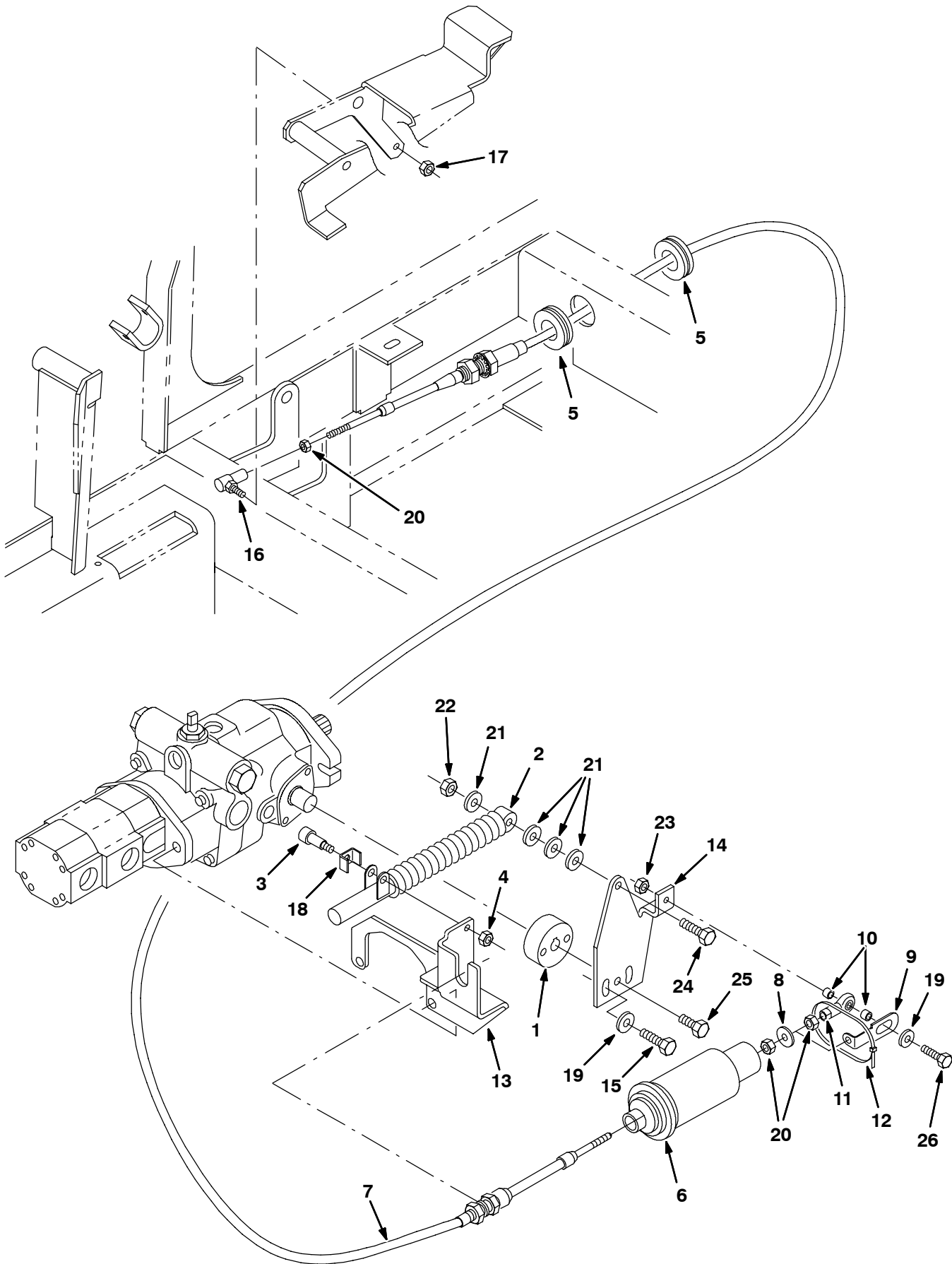
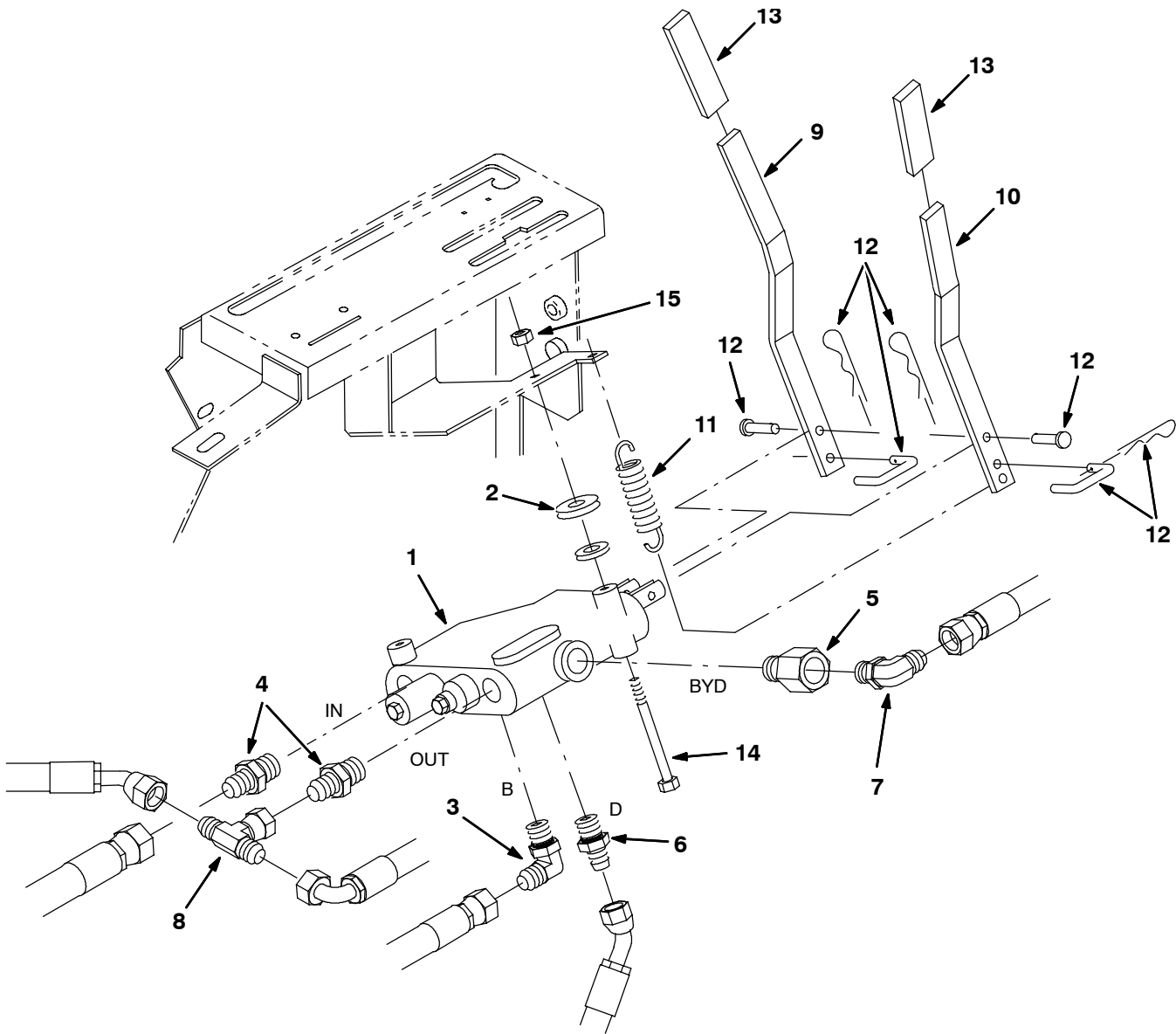


Fig. 42 - Hydraulic Pump Linkage Group

| Ref. | Part No. | Serial Number | Description                       | Qty. |
|------|----------|---------------|-----------------------------------|------|
| 1    | 72728    | (000000-      | ) Hub                             | 1    |
| 2    | 73411    | (000000-      | ) Shock Absorber                  | 1    |
| 3    | 16213    | (000000-      | ) Scr-Shld .312Dx1.00L .25-20     | 1    |
| 4    | 75934    | (000000-      | ) Nut-Hxlocnyln .25-20 Thin Pltd  | 1    |
| 5    | 10632-1  | (000000-      | ) Grommet,Rbr,1.06ld,For .19Matl  | 2    |
| 6    | 63292    | (000000-      | ) Spring, Propel, Centering       | 1    |
| 7    | 360442   | (000000-      | ) Cable, Push-Pull                | 1    |
| 8    | 78785    | (000000-      | ) Washer, .250B .88D .06 Neopre   | 1    |
| 9    | 83887    | (000000-      | ) Bracket, Safety Clip            | 1    |
| 10   | 65441    | (000000-      | ) Spacer, .259ld 375Od .250Lg     | 2    |
| 11   | 68866    | (000000-      | ) Rod End .250-28 .25Dia          | 1    |
| 12   | 49266    | (000000-      | ) Tie, Cable 1.75D Max 7.50Lg     | 1    |
| 13   | 360313   | (000000-      | ) Bracket, Mtg, Spring Cable      | 1    |
| 14   | 360841   | (000000-      | ) Bracket, Mtg, Propel Cable      | 1    |
| 15   | 12273    | (000000-      | ) Scr-Hexssm 8X1.25 20 Nylnloc    | 2    |
| 16   | 14601    | (000000-      | ) Ball Joint, 250-28              | 1    |
| 17   | 13513    | (000000-      | ) Nut-Hxlocnyln .25-28 Reg Pltd   | 1    |
| 18   | 84170    | (000000-      | ) Bracket, Retainer               | 1    |
| 19   | 32490    | (000000-      | ) Washer, Flat, 0.25, Std         | 3    |
| 20   | 01714    | (000000-      | ) Nut, Hex, Std, .25-28           | 3    |
| 21   | 32491    | (000000-      | ) Washer, Flat, 0.31, Std         | 4    |
| 22   | 08709    | (000000-      | ) Nut, Hex, Lock, M8 X 1.25, NI   | 1    |
| 23   | 32981    | (000000-      | ) Nut, Hex, Lock, .25-20, NI      | 1    |
| 24   | 41342    | (000000-      | ) Screw, Hex, M8 X 1.25 X 40, 8.8 | 1    |
| 25   | 07592    | (000000-      | ) Screw, Hex, .31-24 X 0.75, G5   | 1    |
| 26   | 25049    | (000000-      | ) Screw, Hex, .25-20 X 1.75, G5   | 1    |

**Fig. 43 - Hydraulic Control Valve Group**

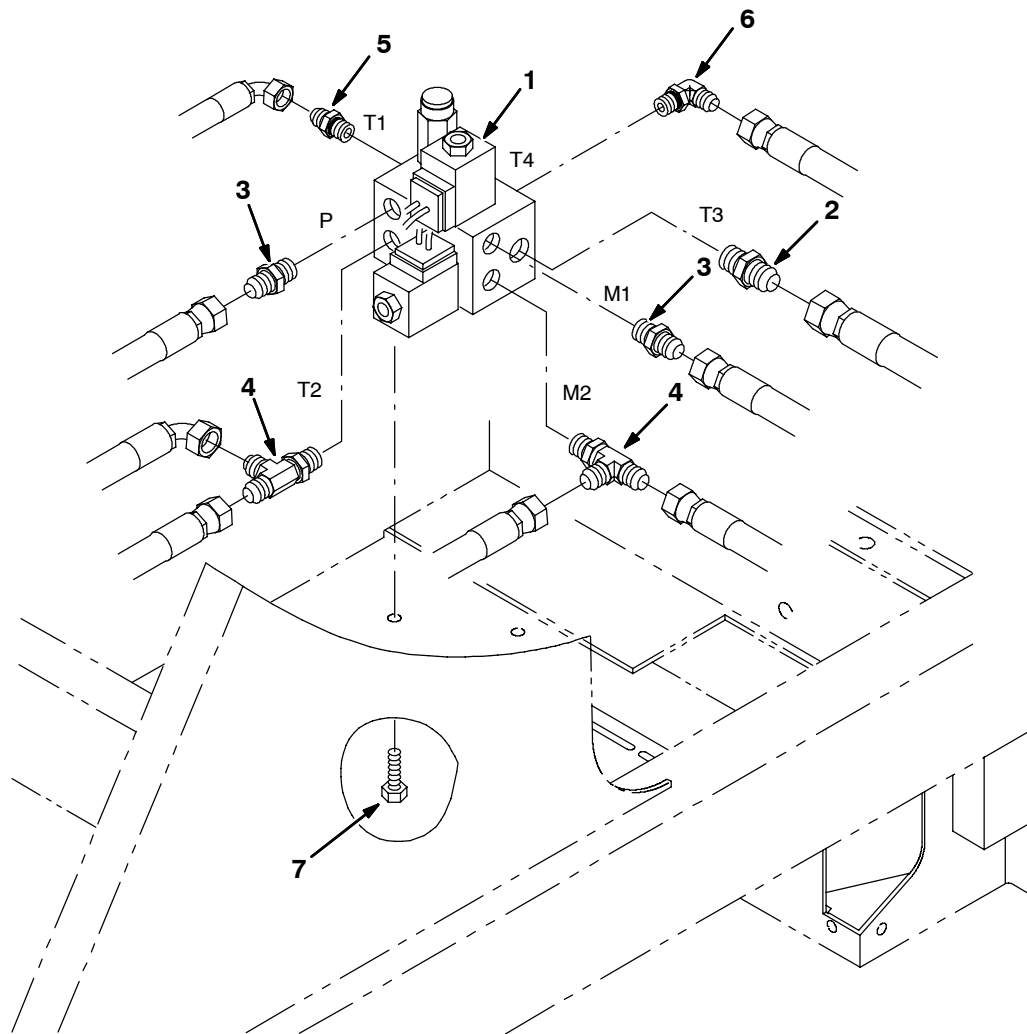


350077 - IC

| Ref. | Part No. | Serial Number | Description                             | Qty. |
|------|----------|---------------|---|------|
| 1    | 361012   | (000000- )    | Valve, Hyd Control Man (See Breakdowns) | 1    |
| 2    | 63416    | (000000- )    | Washer, .310B .88D .12Rbr               | 2    |
| 3    | 47638    | (000000- )    | Ftg-Hyd E90 Jm04/Om06                   | 1    |
| 4    | 52402    | (000000- )    | Ftg-Hyd Str Jm06/Om08                   | 2    |
| 5    | 361028   | (000000- )    | Plug Assy,Byd En                        | 1    |
| 6    | 55685    | (000000- )    | Ftg-Hyd Str Jm04/Om06                   | 1    |
| 7    | 56820    | (000000- )    | Ftg-Hyd E90 Jm06/Om06                   | 1    |
| 8    | 35586    | (000000- )    | Ftg-Hyd Tee Jm06Jfjm                    | 1    |
| 9    | 360062   | (000000- )    | Handle, Control, Valve                  | 1    |
| 10   | 360063   | (000000- )    | Handle, Control, Valve                  | 1    |
| 11   | 59870    | (000000- )    | Spring, Tens, .50Dx.05Wire2.5L          | 1    |
| 12   | 361299   | (000000- )    | Link Assy, Valve Handle                 | 1    |
| 13   | 360467   | (000000- )    | Grip, Vinyl .250 X .750 X 4.00          | 2    |
| 14   | 06949    | (000000- )    | Screw, Hex, M6 X 1.00 X 50, 8.8         | 2    |
| 15   | 08708    | (000000- )    | Nut, Hex, Lock, M6 X 1.00, NI           | 2    |



Fig. 44 - Hydraulic Solenoid Valve Group



350075 - IC

| Ref. | Part No. | Serial Number    | Description   | Qty. |
|------|----------|------------------|---|------|
| 1    | 361019   | (000000-005565 ) | Valve, Hyd Cntrl Sol (See Breakdowns)                     | 1    |
| 1    | 1048820  | (005566-         | Valve, Cntrl, Hyd, Solenoid, 12vdc 06gpm (See Breakdowns) | 1    |
| 2    | 44869    | (000000-         | Ftg-Hyd Str Jm08/Om08                                     | 1    |
| 3    | 56690    | (000000-         | Ftg-Hyd Str Jm06/Om06                                     | 2    |
| 4    | 76316    | (000000-         | Ftg-Hyd Tee Jm06Jmom                                      | 2    |
| 5    | 55586    | (000000-         | Ftg-Hyd Str Jm04/Om04                                     | 1    |
| 6    | 77097    | (000000-         | Ftg-Hyd E90 Jm04/Om04                                     | 1    |
| 7    | 16735    | (000000-         | Screw, Hex, M8 X 1.25 X 16, 8.8                           | 2    |

Fig. 45 - Hydraulic Schematic

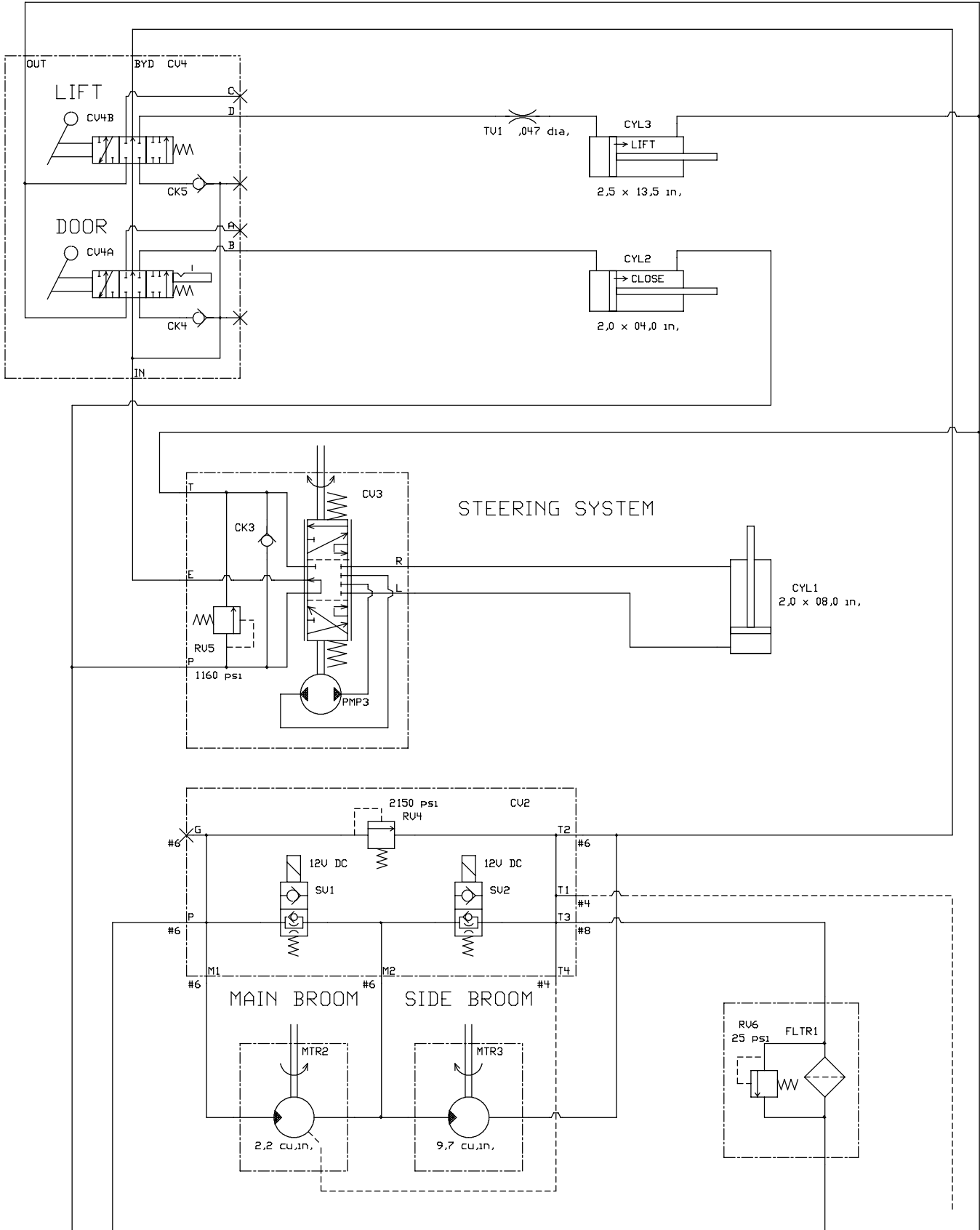
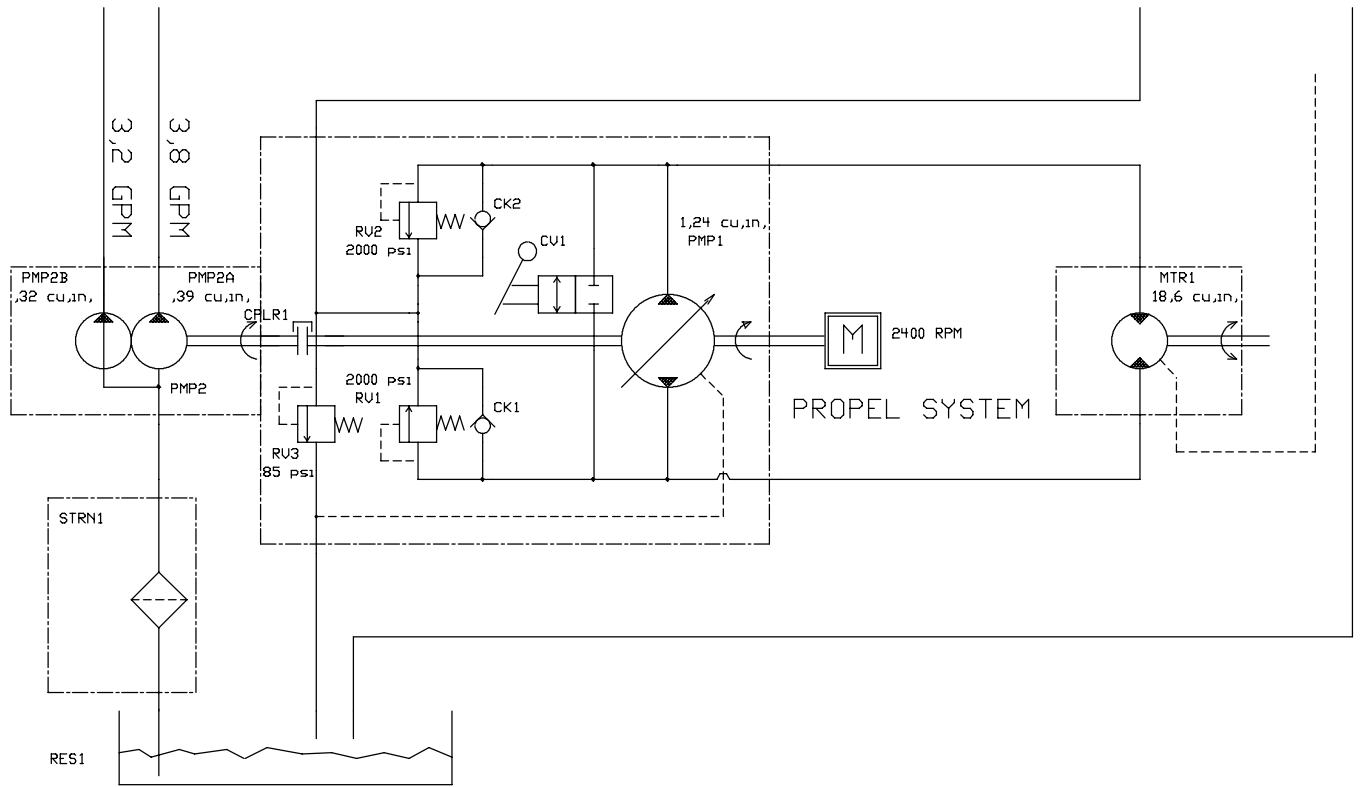


Fig. 45 - Hydraulic Schematic



350156 - LIQ

Fig. 46 - Hydraulic Hose Group

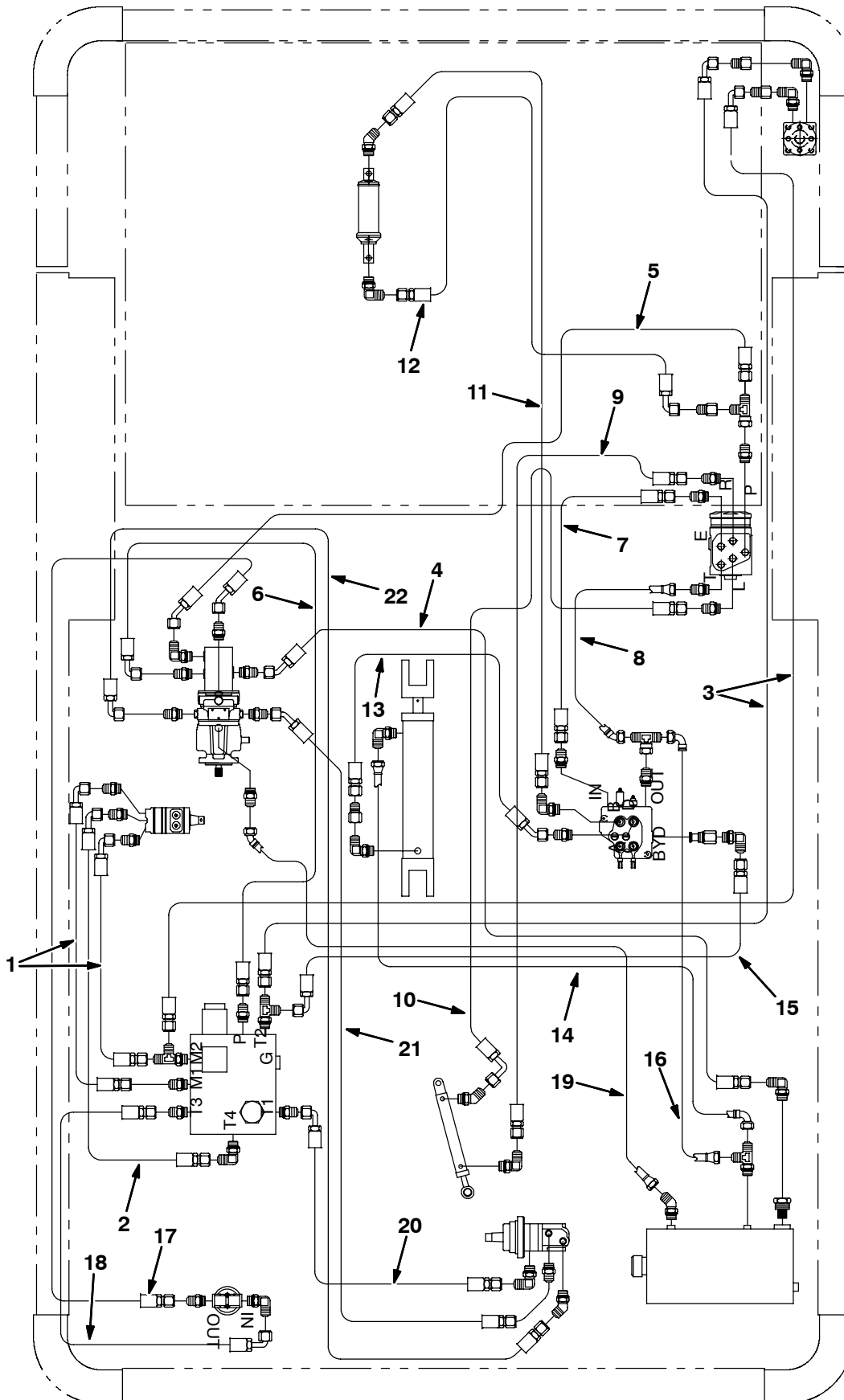
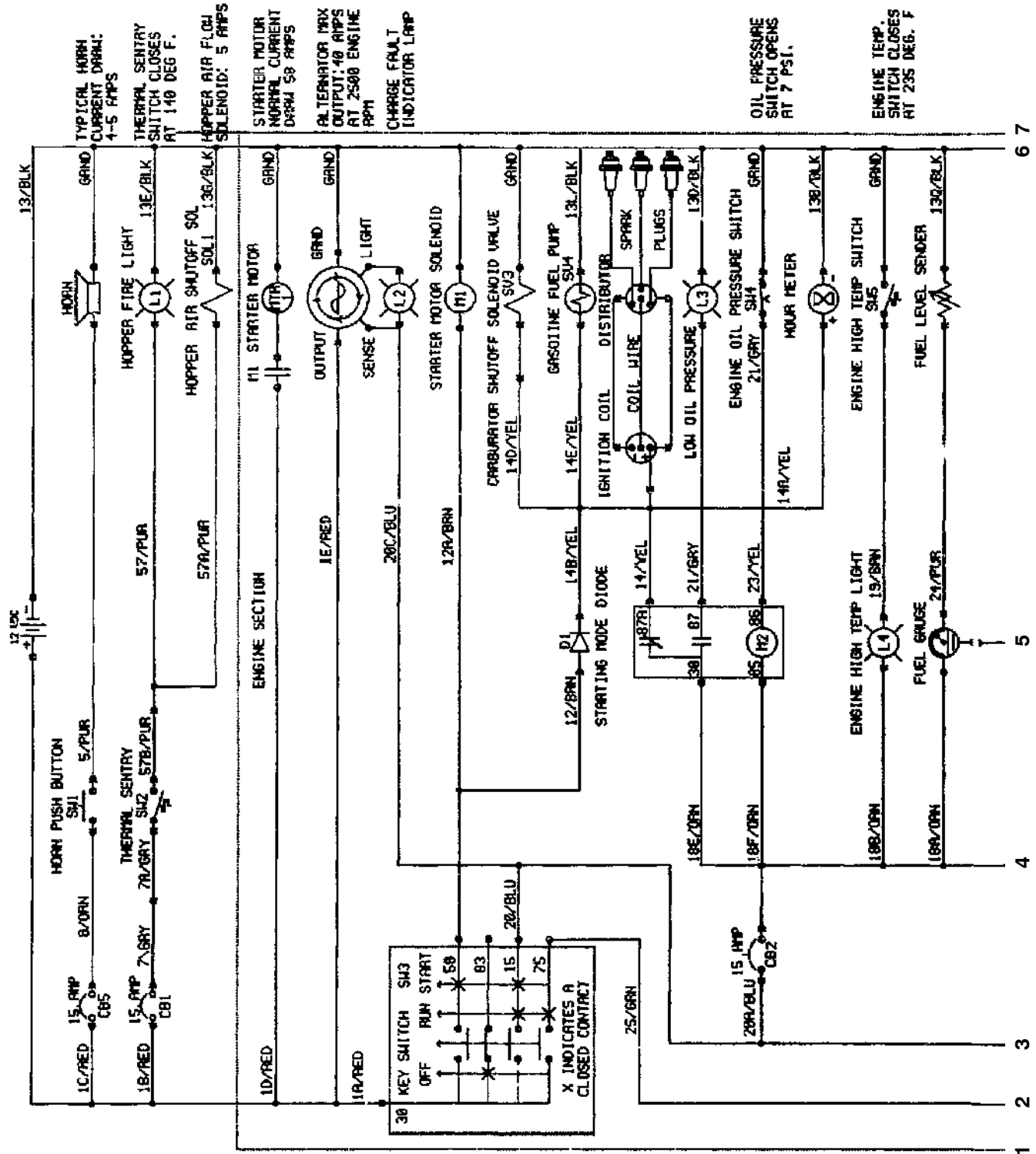


Fig. 46 - Hydraulic Hose Group

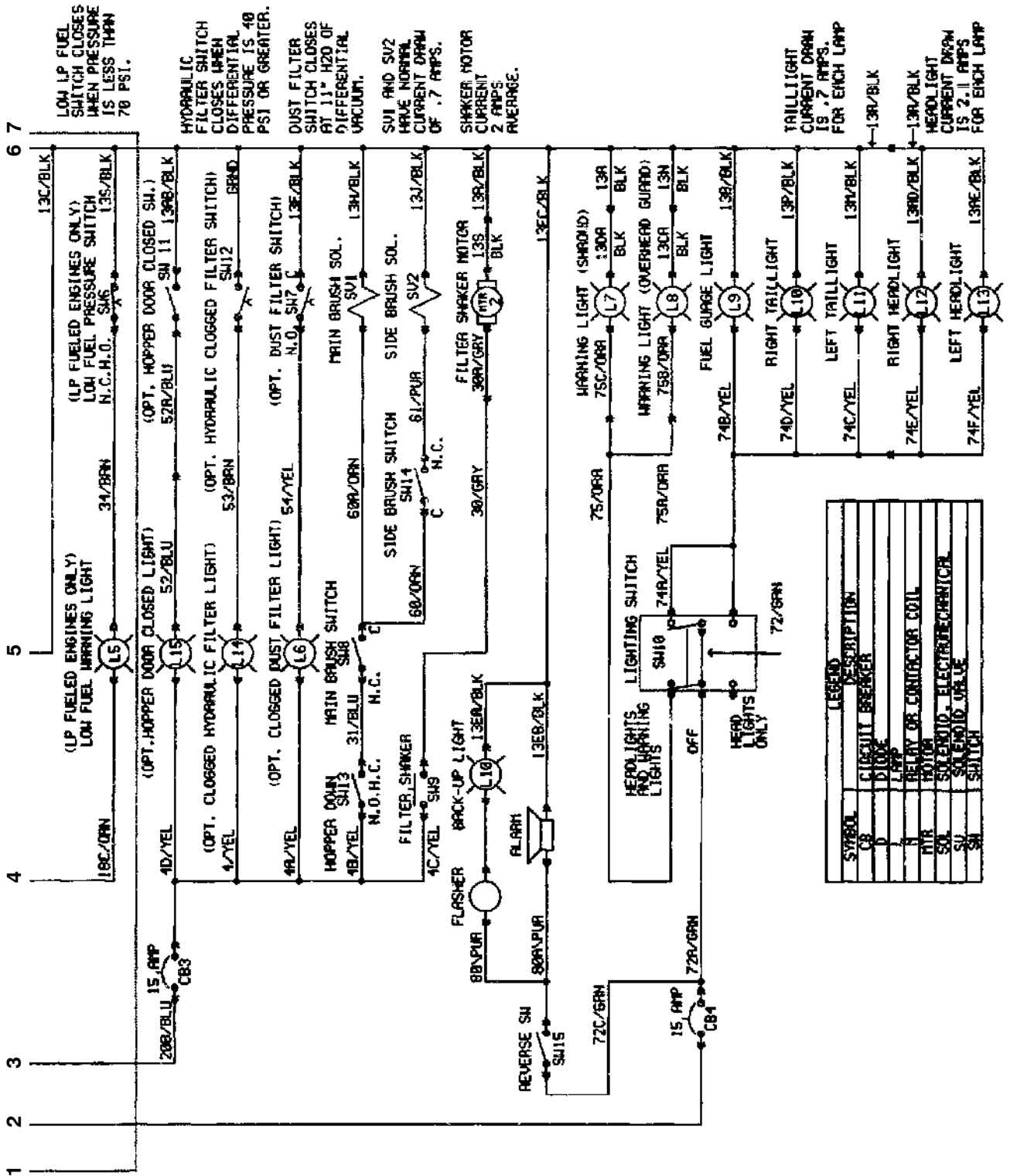
| Ref. | Part No. | Serial Number  | Description                                | Qty. |
|------|----------|----------------|--|------|
| 1    | 361040   | (000000-       | ) Hose-Hyd Ar 06 Jf/J9                     | 2    |
| 2    | 361009   | (000000-       | ) Hose-Hyd Ar 04 Jf/J9                     | 1    |
| 3    | 361041   | (000000-       | ) Hose-Hyd Med06 Jf/J9                     | 2    |
| 4    | 361042   | (000000-       | ) Hose-Hyd Suc12 Jf/J4                     | 1    |
| 5    | 59567    | (000000-       | ) Hose-Hyd Med06                           | 1    |
| 6    | 361043   | (000000-       | ) Hose-Hyd Med06 Jf/J9                     | 1    |
| 7    | 361044   | (000000-       | ) Hose-Hyd Med06 Jf/Jf                     | 1    |
| 8    | 57288    | (000000-       | ) Hose-Hyd Low06 Jf/J4                     | 1    |
| 9    | 361046   | (000000-       | ) Hose-Hyd Med06 Jf/Jf                     | 1    |
| 10   | 361047   | (000000-       | ) Hose-Hyd Med06 Spcl 38.0Jf/JI9           | 1    |
| 11   | 361048   | (000000-       | ) Hose-Hyd Med04 Jf/Jf                     | 1    |
| 12   | 57962    | (000000-       | ) Hose-Hyd Med 04                          | 1    |
| 13   | 02361    | (000000-004890 | ) Hose-Hyd Med04 Jf/J4                     | 1    |
| 13   | 57972    | (004891-       | ) Hose, Hyd, Med04, Jf04e45/Jf04str, 018.0 | 1    |
| 14   | 361051   | (000000-       | ) Hose-Hyd Low06 Jf/J9                     | 1    |
| 15   | 59560    | (000000-       | ) Hose-Hyd                                 | 1    |
| 16   | 82809    | (000000-       | ) Hose-Hyd Low06 Jf/J9                     | 1    |
| 17   | 361049   | (000000-       | ) Hose-Hyd Med08 Jf/J4                     | 1    |
| 18   | 55697    | (000000-       | ) Hose-Hyd Med08 Jf/J9                     | 1    |
| 19   | 59568    | (000000-       | ) Hose-Hyd Low 08                          | 1    |
| 20   | 82816    | (000000-       | ) Hose-Hyd Med04 Jf/J9                     | 1    |
| 21   | 361052   | (000000-       | ) Hose-Hyd Ar 10 Jf/J4                     | 1    |
| 22   | 361050   | (000000-       | ) Hose-Hyd Ar 10 Jf/J9                     | 1    |

Fig. 47 - Electrical Schematic, G/LP (Liquid Cooled)



350167 - G, LP, LIQ

Fig. 47 - Electrical Schematic, G/LP (Liquid Cooled)



LOW LP FUEL SWITCH CLOSSES WHEN PRESSURE IS LESS THAN 70 PSI.

HYDRAULIC FILTER SWITCH CLOSSES WHEN DIFFERENTIAL PRESSURE IS 40 PSI OR GREATER.

DUST FILTER SWITCH CLOSSES AT 1 1/2 H2O OF VACUUM.

SU1 AND SU2 HAVE NORMAL CURRENT DRAW OF .7 AMPS.

SHAKER MOTOR CURRENT 2 AMPS AVERAGE.

TAILLIGHT CURRENT DRAW IS .7 AMPS. FOR EACH LAMP

HEADLIGHT CURRENT DRAW IS 2.1 AMPS FOR EACH LAMP

Fig. 48 - Wire Harness Group, G/LP (Liquid Cooled)

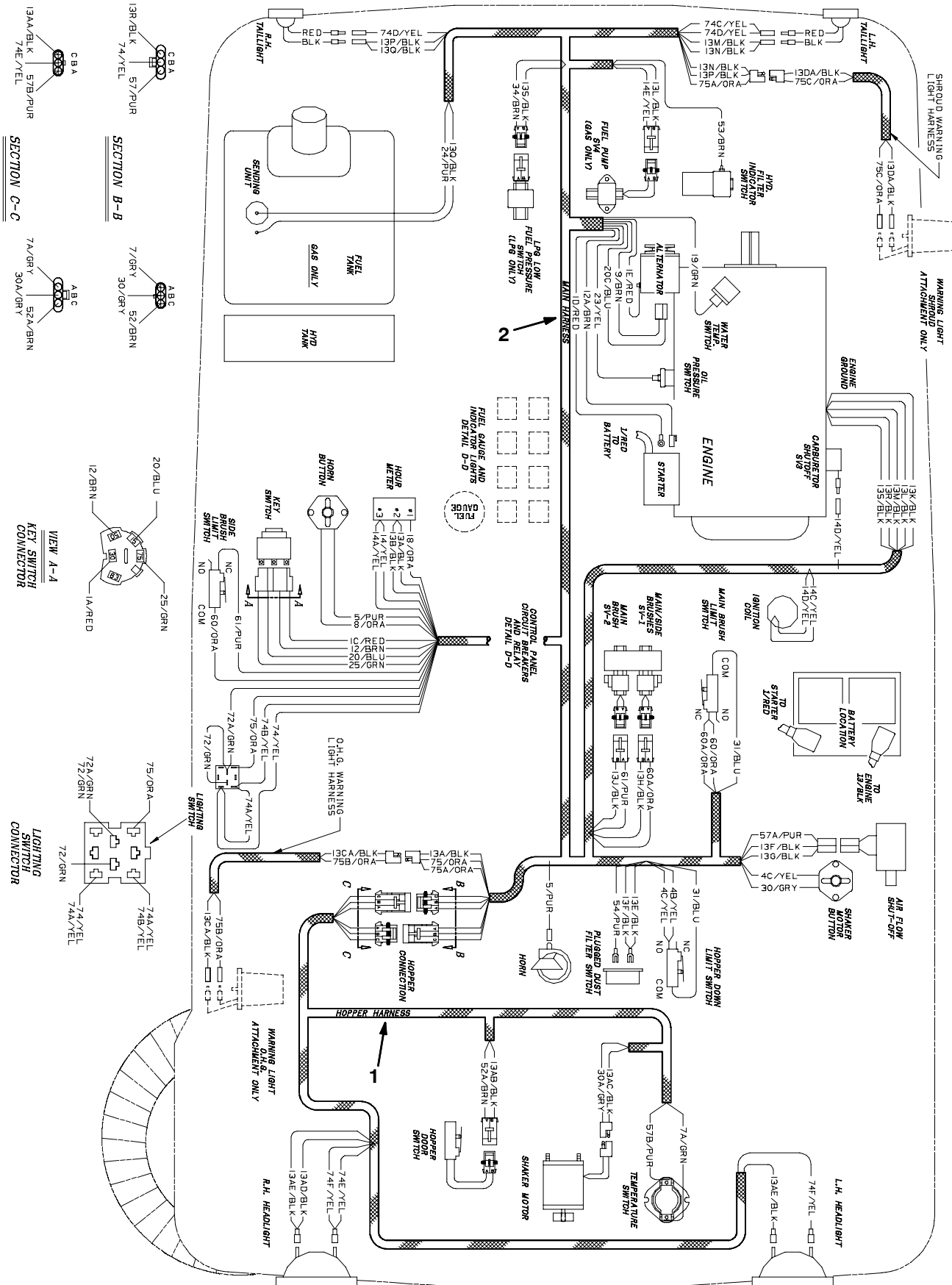
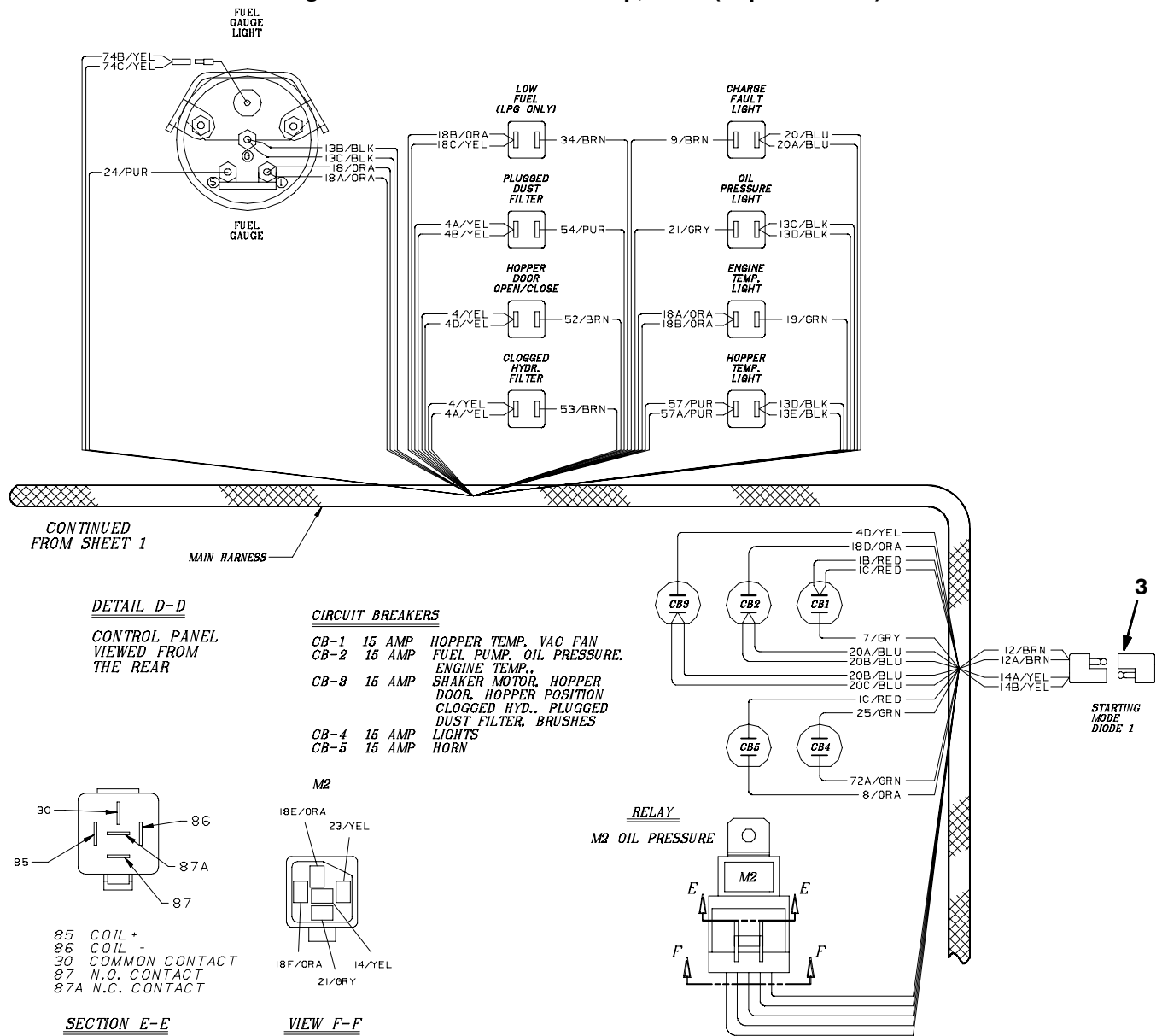




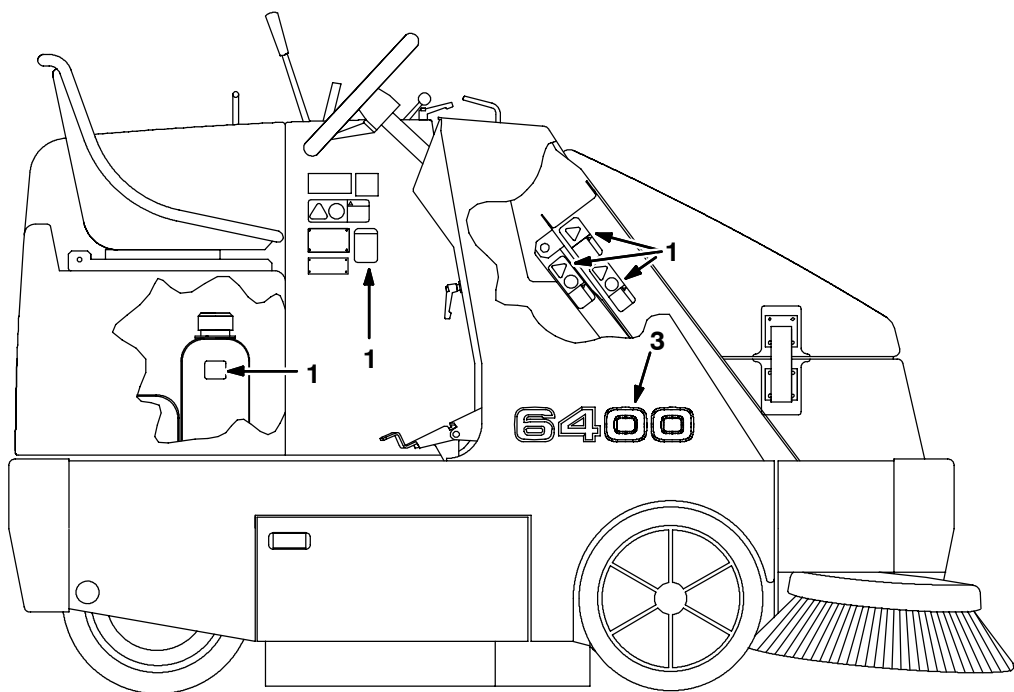
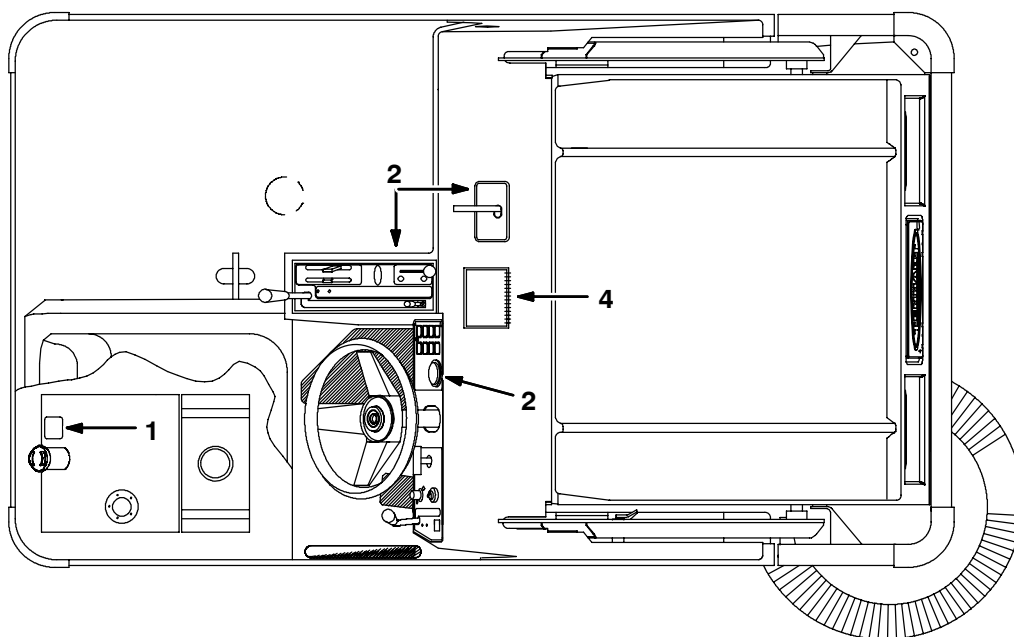
Fig. 48 - Wire Harnesses Group, G/LP (Liquid Cooled)



350139 - G, LP, LIQ

| Ref. | Part No. | Serial Number | Description                 | Qty. |
|------|----------|---------------|-----------------------------|------|
| 1    | 360503   | (000000- )    | Harness, Hopper             | 1    |
| 2    | 360507   | (000000- )    | Harness, Main, Liq, Gas/Lpg | 1    |
| 3    | 222290   | (000000- )    | Diode, Elec, Plug           | 1    |

**Fig. 49 - Label Group**



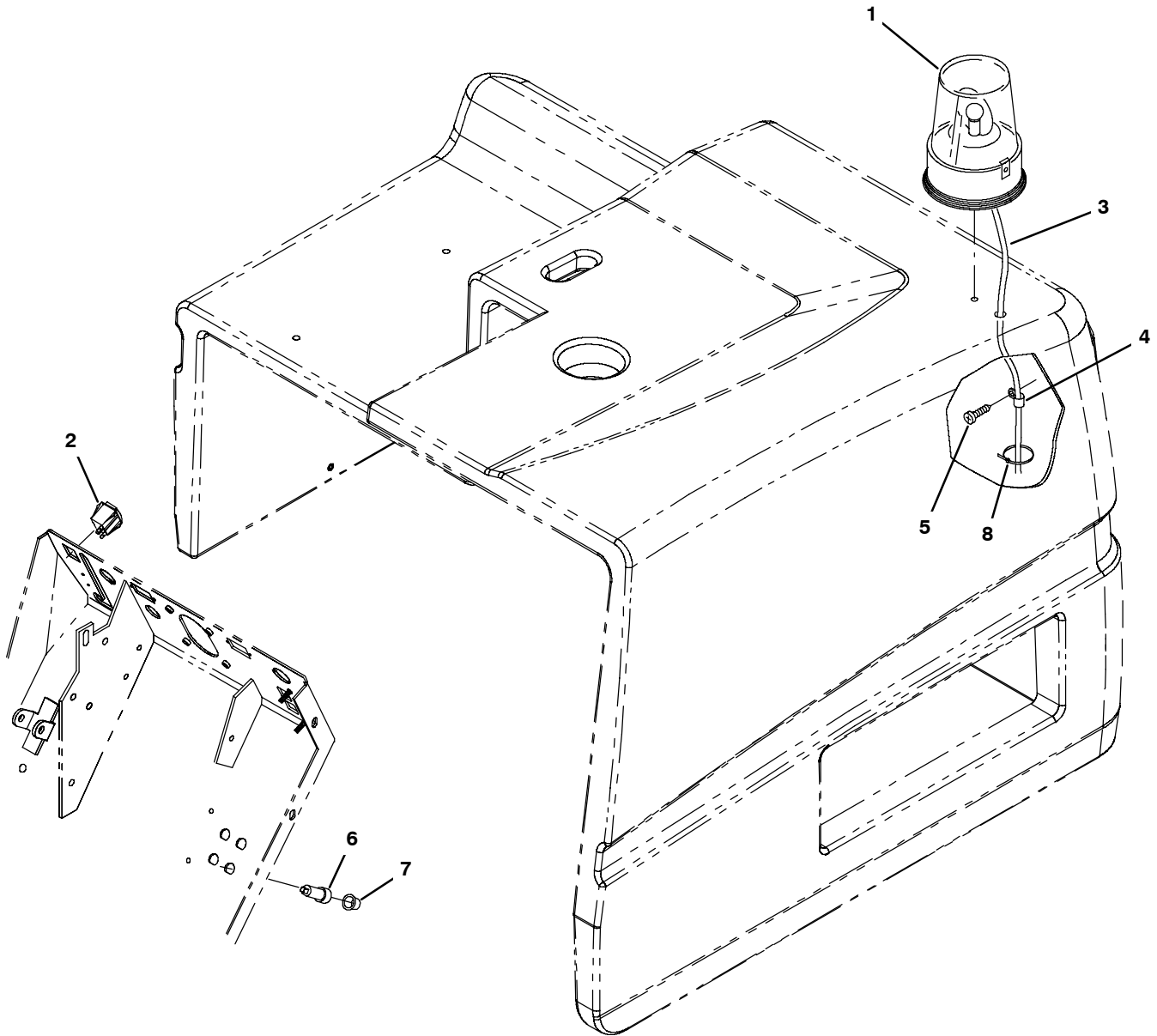
350146 - G, LP, LIQ, NA

| Ref. | Part No. | Serial Number | Description                      | Qty. |
|------|----------|---------------|----------------------------------|------|
| 1    | 59767    | (000000-      | ) Label Set, Info & Hazard       | 1    |
| 2    | 361108   | (000000-      | ) Label Set, Operational, Gas/Lp | 1    |
| 3    | 361107   | (000000-      | ) Label, Numerals 6400           | 1    |
| 4    | 361064   | (000000-      | ) Guide, Use And Care            | 1    |

# SECTION 3

| Contents  | Page |
|---|------|
| Fig. 1 - Revolving Light Kit .....  | 3-2  |
| Fig. 2 - Revolving Light Kit, Overhead Guard ..                           | 3-4  |
| Fig. 3 - Backup Alarm Kit .....   | 3-6  |
| Fig. 4 - Hopper Door Closed Light Kit .....                               | 3-8  |
| Fig. 5 - Overhead Guard Kit .....   | 3-10 |
| Fig. 6 - Severe Environment Indicator Kit .....                           | 3-12 |
| Fig. 7 - Side Brush Dust Control Kit .....                                | 3-14 |
| Fig. 8 - Fire Extinguisher Kit .....                                      | 3-16 |
| Fig. 9 - Deluxe Suspension Seat Group .....                               | 3-17 |
| Fig. 10 - High Back Seat Group .....                                      | 3-18 |
| Fig. 11 - Seat Belt Kit .....   | 3-19 |
| Fig. 12 - Vacuum Wand Kit .....   | 3-20 |
| Fig. 13 - Soft Ride Non-Marking Tire<br>and Wheel Assembly, Rear .....    | 3-22 |
| Fig. 14 - Soft Ride Puncture Proof Tire<br>and Wheel Assembly, Rear ..... | 3-23 |
| Fig. 15 - Radial Tire and Wheel Assembly, Rear                            | 3-24 |
| Fig. 16 - Soft Ride Non-Marking Tire<br>and Wheel Kit, Front .....        | 3-25 |
| Fig. 17 - Soft Ride Puncture Proof Tire<br>and Wheel Kit, Front .....     | 3-26 |
| Fig. 18 - Bias Tire and Wheel Kit, Front .....                            | 3-27 |
| Fig. 19 - Radial Tire and Wheel Kit, Front .....                          | 3-28 |
| Fig. 20 - Documentation Group .....                                       | 3-29 |

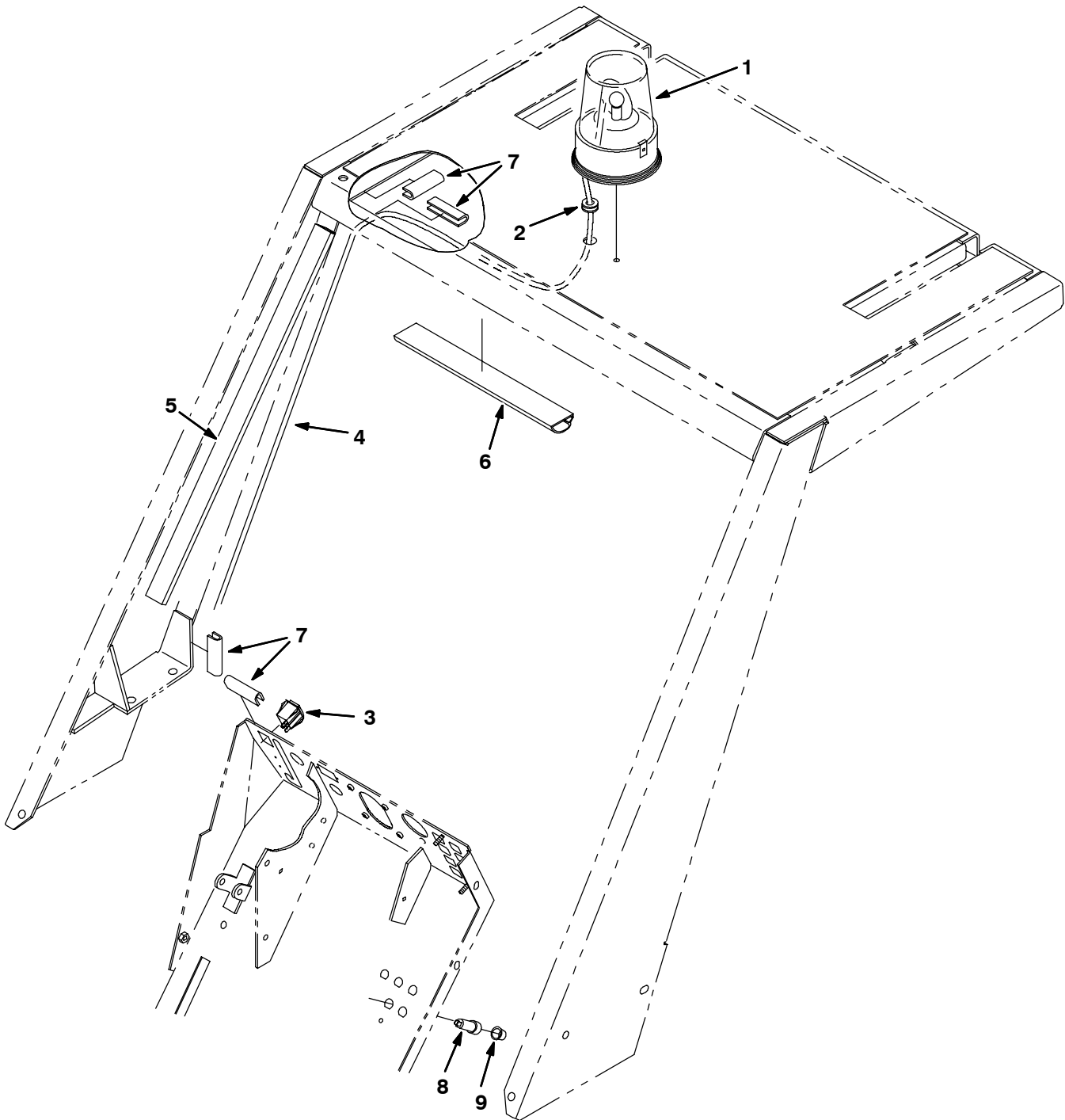
Fig. 1 - Revolving Light Kit



**Fig. 1 - Revolving Light Kit**

|    | <b>Ref.</b> | <b>Part No.</b> | <b>Serial Number</b> | <b>Description</b>              | <b>Qty.</b> |
|----|-------------|-----------------|----------------------|---------------------------------|-------------|
| ▽  |             | 361120          | (000000-             | ) Light Kit, Revolving, 6400    | 1           |
| ▲▽ | 1           | 361975          | (000000-             | ) Light, Rev.Amber 12V - Rework | 1           |
| ▲▲ |             | 44681-1         | (000000-             | ) Lens, Amber                   | 1           |
| ▲▲ |             | 45779           | (000000-             | ) Bulb                          | 1           |
| ▲  | 2           | 360520          | (000000-             | ) Switch, Rocker, Spdt, 3 Pos   | 1           |
| ▲  | 3           | 360500          | (000000-             | ) Harness, Warning, Light       | 1           |
| ▲  | 4           | 26395-2         | (000000-             | ) Clamp-Cable, 0.38D 0.38W stl  | 1           |
| ▲  | 5           | 360973          | (000000-             | ) Scr-Pan 12X.50 F/Plst PI      | 1           |
| ▲  | 6           | 57803           | (000000-             | ) Breaker-Circuit, 15 Resetbl   | 1           |
| ▲  | 7           | 57751           | (000000-             | ) Boot, Circuit Breaker         | 1           |
| ▲  | 8           | 49266           | (000000-             | ) Tie, Cable 1.75D Max 7.50Lg   | 2           |
|    |             | 44681           | (000000-             | ) Lens, Revolving Light, Red    | 1           |
|    |             | 44681-2         | (000000-             | ) Lens, Revolving Light, Blue   | 1           |

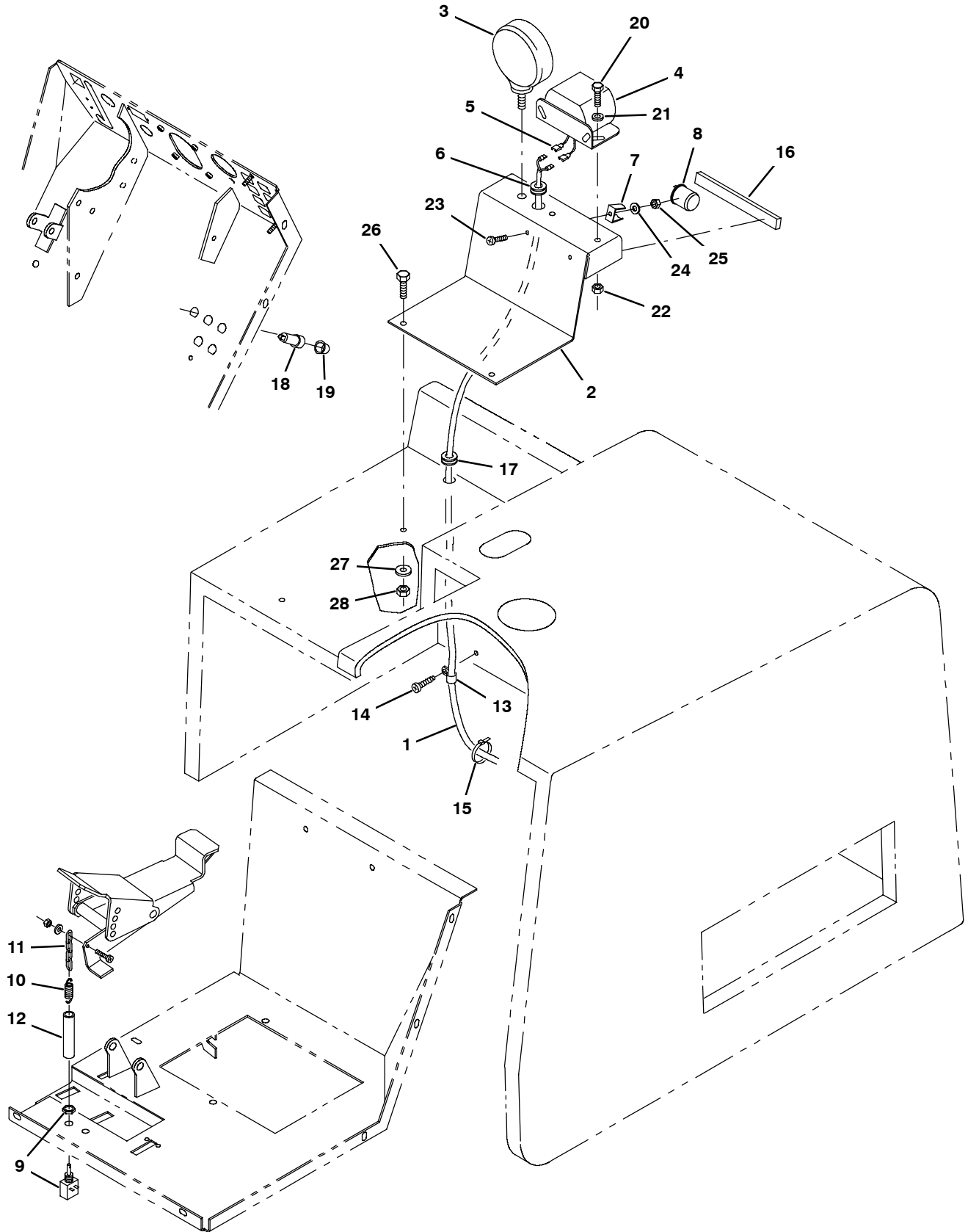
Fig. 2 - Revolving Light Kit, Overhead Guard



**Fig. 2 - Revolving Light Kit, Overhead Guard**

|    | <b>Ref.</b> | <b>Part No.</b> | <b>Serial Number</b> | <b>Description</b>                   | <b>Qty.</b> |
|----|-------------|-----------------|----------------------|--------------------------------------|-------------|
| ▽  |             | 361125          | (000000-             | ) Light Kit, Revolving, Ohg, 6400    | 1           |
| ▲▽ | 1           | 361975          | (000000-             | ) Light, Rev.Amber 12V - Rework      | 1           |
| ▲▲ |             | 44681-1         | (000000-             | ) Lens, Amber                        | 1           |
| ▲▲ |             | 45779           | (000000-             | ) Bulb                               | 1           |
| ▲  | 2           | 10632-12        | (000000-             | ) Grommet, Rbr, 0.38Id, For .12 Matl | 1           |
| ▲  | 3           | 360520          | (000000-             | ) Switch, Rocker, Spdt, 3 Pos        | 1           |
| ▲  | 4           | 360504          | (000000-             | ) Harness, Warning, Light Ohg, 6400  | 1           |
| ▲  | 5           | 86332           | (000000-             | ) Duct, Vinyl 26.0                   | 1           |
| ▲  | 6           | 361944          | (000000-             | ) Duct, Vinyl 14.0                   | 1           |
| ▲  | 7           | 74068           | (000000-             | ) Molding, Trim 3/16-5/16 2.75       | 1           |
| ▲  | 8           | 57803           | (000000-             | ) Breaker-Circuit, 15 Resetbl        | 1           |
| ▲  | 9           | 57751           | (000000-             | ) Boot, Circuit Breaker              | 1           |
| ▲  |             | 49266           | (000000-             | ) Tie, Cable 1.75D Max 7.50Lg        | 2           |
|    |             | 44681           | (000000-             | ) Lens, Revolving Light, Red         | 1           |
|    |             | 44681-2         | (000000-             | ) Lens, Revolving Light, Blue        | 1           |

Fig. 3 - Backup Alarm Kit

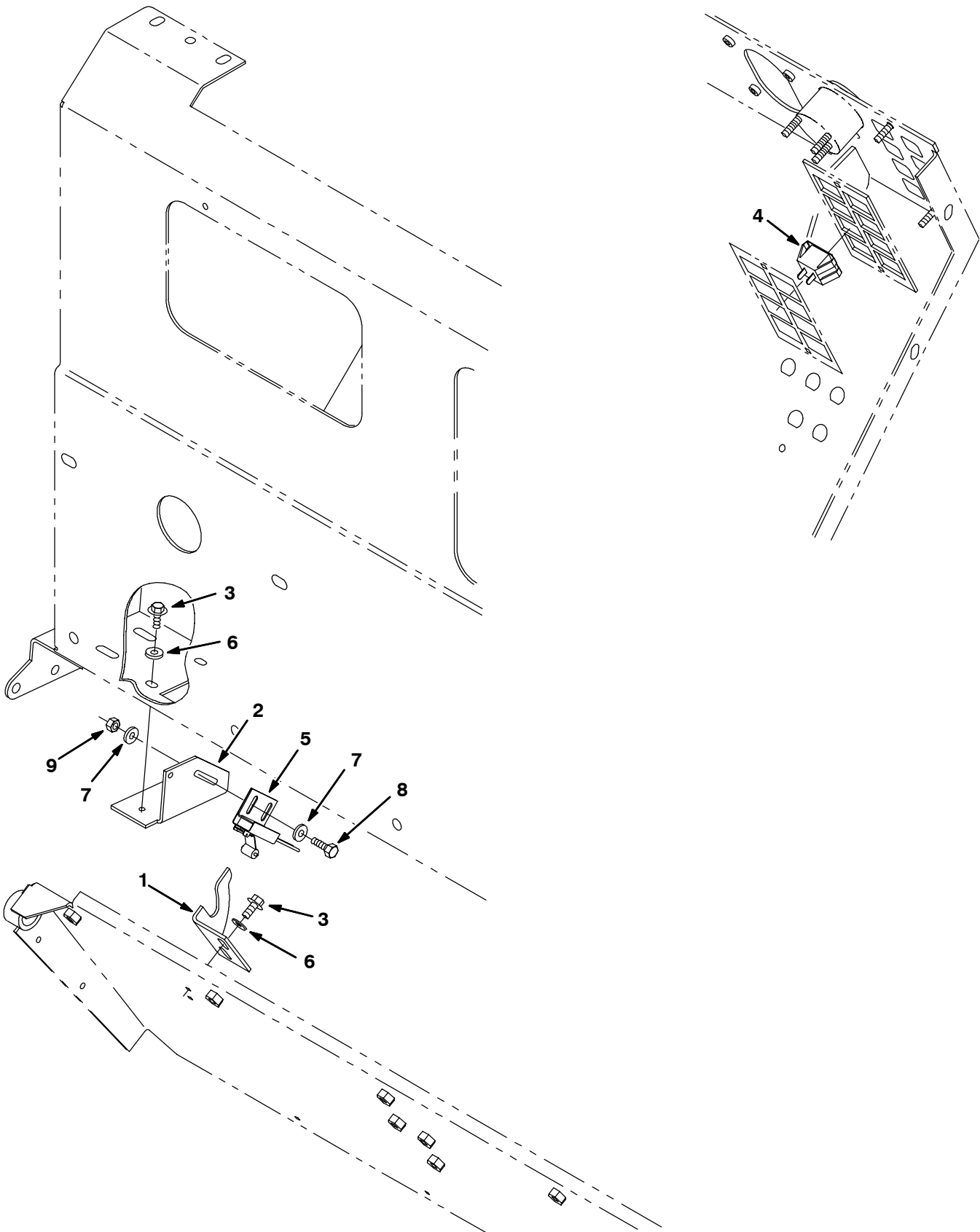




**Fig. 3 - Backup Alarm Kit**

|    | <b>Ref.</b> | <b>Part No.</b> | <b>Serial Number</b> | <b>Description</b>                  | <b>Qty.</b> |
|----|-------------|-----------------|----------------------|-------------------------------------|-------------|
| ▽  |             | 366021          | (000000-             | ) Backup Alarm Kit 6400, 12 V       | 1           |
| ▲  | 1           | 366024          | (000000-             | ) Harness Jumper, Backup Alarm      | 1           |
| ▲  | 2           | 366016          | (000000-             | ) Bracket, Alarm, Backup            | 1           |
| ▲▽ | 3           | 36438           | (000000-             | ) Headlight Assy                    | 1           |
| ▲▲ |             | 36439           | (000000-             | ) Bulb                              | 1           |
| ▲  | 4           | 61923           | (000000-             | ) Horn, Back-up Alarm               | 1           |
| ▲  | 5           | 50470           | (000000-             | ) Terminal, Qkdisc .25f Insf 14ga   | 2           |
| ▲  | 6           | 10632-9         | (000000-             | ) Grommet, Rbr, 0.56id For .13matl  | 1           |
| ▲  | 7           | 24576-1         | (000000-             | ) Bracket, Flasher                  | 1           |
| ▲  | 8           | 24576           | (000000-             | ) Flasher, 12v                      | 1           |
| ▲  | 9           | 43673           | (000000-             | ) Switch, 6-12v, Momentary On       | 1           |
| ▲  | 10          | 43672           | (000000-             | ) Sprg, Tens,0.38Odx.04wire 1.0L    | 1           |
| ▲  | 11          | 28499-1         | (000000-             | ) Chain, Sah#35 , 4Links, Cad 2.37  | 1           |
| ▲  | 12          | 366025          | (000000-             | ) Sleeve, blk Vinyl, .37555 I.D.    | 1           |
| ▲  | 13          | 26395-2         | (000000-             | ) Clamp-Cable, 0.38D 0.38W Stl      | 2           |
| ▲  | 14          | 360973          | (000000-             | ) Scr-pan 12 x .50 F/plst PI        | 2           |
| ▲  | 15          | 49266           | (000000-             | ) Tie, Cable 1.75d Max 7.50lg       | 5           |
| ▲  | 16          | 50616           | (000000-             | ) Seal, Foam Vyl, .38 .75w 7.3L     | 1           |
| ▲  | 17          | 10632-18        | (000000-             | ) Grommet, Rbr, 0.69id, For .25matl | 1           |
| ▲  | 18          | 57803           | (000000-             | ) Breaker-Circuit, 15 Resetbl       | 1           |
| ▲  | 19          | 57751           | (000000-             | ) Boot, Circuit Breaker             | 1           |
| ▲  | 20          | 16931           | (000000-             | ) Screw, Hex, M8 X 1.25 X 20, 8.8   | 2           |
| ▲  | 21          | 32490           | (000000-             | ) Washer, Flat, 0.25, Std           | 2           |
| ▲  | 22          | 07791           | (000000-             | ) Nut, Hex, Flng, M8 X 1.25         | 2           |
| ▲  | 23          | 19320           | (000000-             | ) Screw, Pan, Phl, 06-32 X 0.38, G1 | 1           |
| ▲  | 24          | 19065           | (000000-             | ) Washer, Flat, 08                  | 1           |
| ▲  | 25          | 19309           | (000000-             | ) Nut, Hex, Std, #06-32             | 1           |
| ▲  | 26          | 41342           | (000000-             | ) Screw, Hex, M8 X 1.25 X 40, 8.8   | 2           |
| ▲  | 27          | 32491           | (000000-             | ) Washer, Flat, 0.31, Std           | 2           |
| ▲  | 28          | 08709           | (000000-             | ) Nut, Hex, Lock, M8 X 1.25, NI     | 2           |

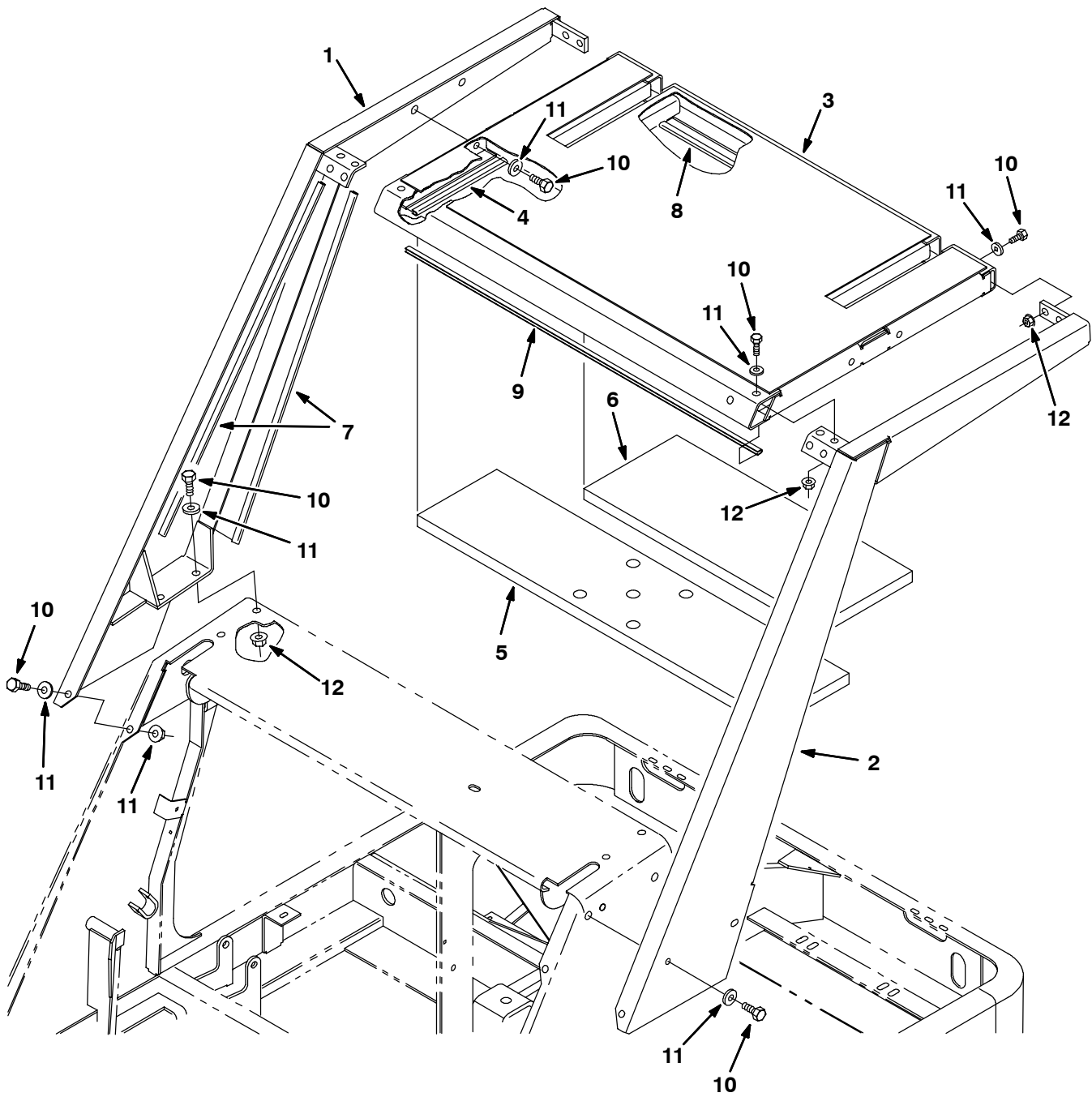
Fig. 4 - Hopper Door Closed Light Kit



**Fig. 4 - Hopper Door Closed Light Kit**

|   | <b>Ref.</b> | <b>Part No.</b> | <b>Serial Number</b> | <b>Description</b>                | <b>Qty.</b> |
|---|-------------|-----------------|----------------------|-----------------------------------|-------------|
| ▽ |             | 361288          | (000000-             | ) Hopper Door Light Kit, 12V      | 1           |
| ▲ | 1           | 361140          | (000000-             | ) Bracket, Door, Indicator        | 1           |
| ▲ | 2           | 361141          | (000000-             | ) Bracket, Door, Indicator        | 1           |
| ▲ | 3           | 74455           | (000000-             | ) Scr-Hx Fmgm 6X1.0 12            | 4           |
| ▲ | 4           | 361075          | (000000-             | ) Lamp, Indicator 12 Volt         | 1           |
| ▲ | 5           | 59965           | (000000-             | ) Switch, Roller                  | 1           |
| ▲ | 6           | 32490           | (000000-             | ) Washer, Flat, 0.25, Std         | 4           |
| ▲ | 7           | 19066           | (000000-             | ) Washer, Flat, 10                | 4           |
| ▲ | 8           | 09244           | (000000-             | ) Screw, Hex, M5 X 0.80 X 16, 8.8 | 2           |
| ▲ | 9           | 06549           | (000000-             | ) Nut, Hex, Lock, M5 X 0.80, NI   | 2           |

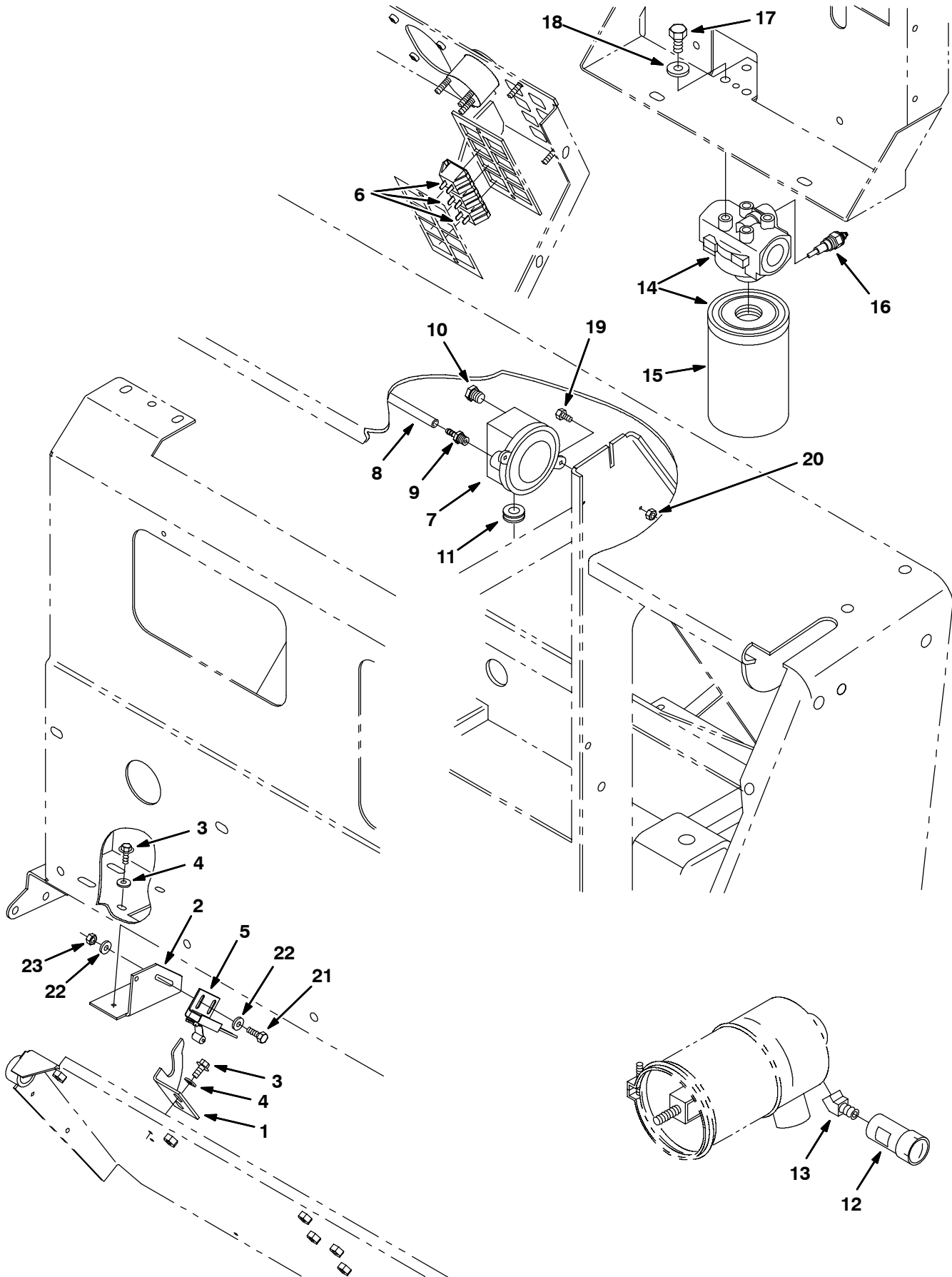
Fig. 5 - Overhead Guard Kit



**Fig. 5 - Overhead Guard Kit**

|   | <b>Ref.</b> | <b>Part No.</b> | <b>Serial Number</b> | <b>Description</b>                 | <b>Qty.</b> |
|---|-------------|-----------------|----------------------|------------------------------------|-------------|
| ▽ |             | 360839          | (000000-             | ) Guard Kit, Overhead              | 1           |
| ▲ | 1           | 360795          | (000000-             | ) Channel Wldt, Ohg, Rh            | 1           |
| ▲ | 2           | 360798          | (000000-             | ) Channel Wldt, Ohg, Lh            | 1           |
| ▲ | 3           | 360962          | (000000-             | ) Panel Wldt, Top, Ohg             | 1           |
| ▲ | 4           | 48763           | (000000-             | ) Molding, Trim 3/16-5/16 10.0     | 2           |
| ▲ | 5           | 361284          | (000000-             | ) Insulation S/Foam                | 1           |
| ▲ | 6           | 361285          | (000000-             | ) Insulation S/Foam                | 1           |
| ▲ | 7           | 361671          | (000000-             | ) Molding, Trim, Leather, Black    | 2           |
| ▲ | 8           | 361672          | (000000-             | ) Molding, Trim, Leather, Black    | 1           |
| ▲ | 9           | 361673          | (000000-             | ) Molding, Trim, Leather, Black    | 1           |
| ▲ | 10          | 41346           | (000000-             | ) Screw, Hex, M12 X 1.75 X 30, 8.8 | 12          |
| ▲ | 11          | 32486           | (000000-             | ) Washer Flat,0.50,Sae             | 12          |
| ▲ | 12          | 07793           | (000000-             | ) Nut, Hex, Flng, M12 X 1.75       | 10          |

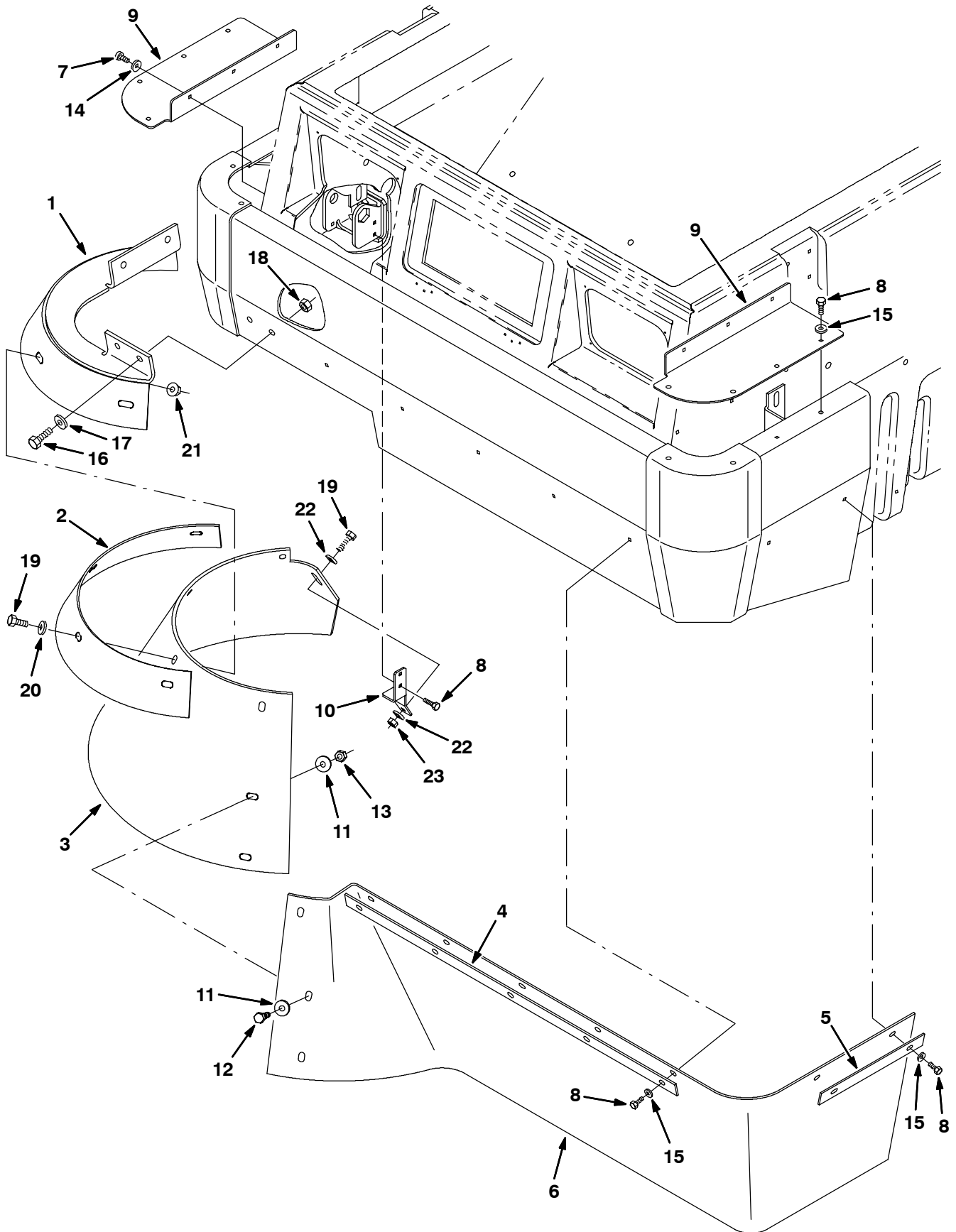
Fig. 6 - Severe Environment Indicator Kit



**Fig. 6 - Severe Environment Indicator Kit**

|    | <b>Ref.</b> | <b>Part No.</b> | <b>Serial Number</b> | <b>Description</b>                | <b>Qty.</b> |
|----|-------------|-----------------|----------------------|-----------------------------------|-------------|
| ▽  |             | 361148          | (000000-             | ) Indicator Kit, 12V              | 1           |
| ▲  | 1           | 361140          | (000000-             | ) Bracket, Door, Indicator        | 1           |
| ▲  | 2           | 361141          | (000000-             | ) Bracket, Door, Indicator        | 1           |
| ▲  | 3           | 74455           | (000000-             | ) Scr-Hx Fmgm 6X1.0 12            | 4           |
| ▲  | 4           | 32490           | (000000-             | ) Washer, Flat, 0.25, Std         | 4           |
| ▲  | 5           | 59965           | (000000-             | ) Switch, Roller                  | 1           |
| ▲  | 6           | 361075          | (000000-             | ) Lamp, Indicator 12 Volt         | 3           |
| ▲  | 7           | 39924           | (000000-             | ) Switch, Pressure                | 1           |
| ▲  | 8           | 39780-2         | (000000-             | ) Hose, Vacuum .16 Id X 54.0 Lg   | 1           |
| ▲  | 9           | 40607           | (000000-             | ) Ftg,Brass,St Bm03/Pm02          | 1           |
| ▲  | 10          | 82739           | (000000-             | ) Ftg, Breather                   | 1           |
| ▲  | 11          | 10632-4         | (000000-             | ) Grommet,Rbr,0.62ld,For .06Matl  | 1           |
| ▲  | 12          | 03026           | (000000-             | ) Indicator Service Air Filter    | 1           |
| ▲  | 13          | 24976           | (000000-             | ) Ftg-Brs E45 Pm02/Pf02           | 1           |
| ▲▽ | 14          | 10664           | (000000-             | ) Filter Assy, Spin-On            | 1           |
| ▲▲ | 15          | 65221           | (000000-             | ) Element, Filter                 | 1           |
| ▲  | 16          | 65222           | (000000-             | ) Sender, Filter, Hydraulic       | 1           |
| ▲  | 17          | 21194           | (000000-             | ) Screw, Hex, .38-16 X 0.62, G5   | 4           |
| ▲  | 18          | 32485           | (000000-             | ) Washer, Flat, 0.38, Sae         | 4           |
| ▲  | 19          | 09206           | (000000-             | ) Screw, Hex, M4 X 0.70 X 12, 8.8 | 2           |
| ▲  | 20          | 02850           | (000000-             | ) Nut, Hex, Lock, M4 X 0.70, NI   | 2           |
| ▲  | 21          | 09244           | (000000-             | ) Screw, Hex, M5 X 0.80 X 16, 8.8 | 2           |
| ▲  | 22          | 19066           | (000000-             | ) Washer, Flat, 10                | 2           |
| ▲  | 23          | 06549           | (000000-             | ) Nut, Hex, Lock, M5 X 0.80, NI   | 2           |

Fig. 7 - Side Brush Dust Control Kit

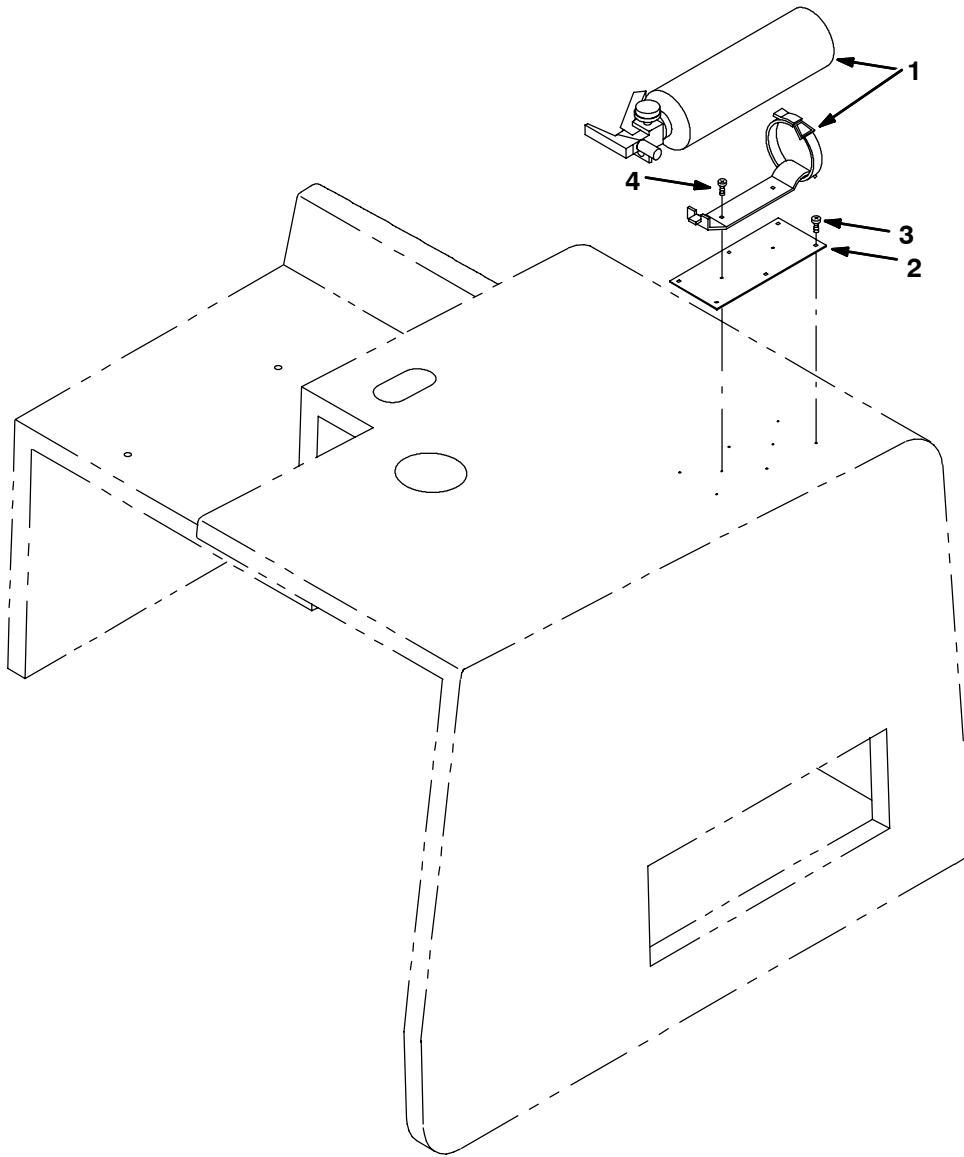




**Fig. 7 - Side Brush Dust Control Kit**

| Ref. | Part No.  | Serial Number | Description                          | Qty. |
|------|-----------|---------------|--------------------------------------|------|
| ▽    | 361268    | (000000-      | ) Dust Control Kit, Side Brush       | 1    |
| ▲    | 1 360883  | (000000-      | ) Bracket Wldt, Sbdc                 | 1    |
| ▲    | 2 361292  | (000000-      | ) Strip, Retainer, Sbdc              | 1    |
| ▲    | 3 360933  | (000000-      | ) Skirt, Sbdc                        | 1    |
| ▲    | 4 361330  | (000000-      | ) Strip, Retainer, Sbdc              | 1    |
| ▲    | 5 361331  | (000000-      | ) Strip, Retainer, Sbdc              | 1    |
| ▲    | 6 361332  | (000000-      | ) Skirt, Front, Sbdc                 | 1    |
| ▲    | 7 360973  | (000000-      | ) Screw, Pan, 12-16 X 0.50, F/ Plstc | 6    |
| ▲    | 8 24593   | (000000-      | ) Screw, Hex, .25-20 X 0.50, Fmg, Pl | 17   |
| ▲    | 9 361329  | (000000-      | ) Seal, Sbdc                         | 2    |
| ▲    | 10 361670 | (000000-      | ) Bracket, Sbdc                      | 1    |
| ▲    | 11 41178  | (000000-      | ) Washer-Flt .25 Fender Pltd         | 4    |
| ▲    | 12 06943  | (000000-      | ) Screw, Hex, M6 X 1.00 X 20, 8.8    | 2    |
| ▲    | 13 08708  | (000000-      | ) Nut, Hex, Lock, M6 X 1.00, NI      | 2    |
| ▲    | 14 19324  | (000000-      | ) Washer, Flat, 10, Sae              | 6    |
| ▲    | 15 32490  | (000000-      | ) Washer, Flat, 0.25, Std            | 15   |
| ▲    | 16 03192  | (000000-      | ) Screw, Hex, M10 X 1.50 X 30, 8.8   | 4    |
| ▲    | 17 32492  | (000000-      | ) Washer, Flat, 0.38, Std            | 4    |
| ▲    | 18 07792  | (000000-      | ) Nut, Hex, Flng, M10 X 1.50         | 4    |
| ▲    | 19 39277  | (000000-      | ) Screw, Hex, M8 X 1.25 X 25, 8.8    | 5    |
| ▲    | 20 39349  | (000000-      | ) Washer, Flat, 0.31, Sae            | 4    |
| ▲    | 21 07791  | (000000-      | ) Nut, Hex, Flng, M8 X 1.25          | 4    |
| ▲    | 22 30013  | (000000-      | ) Washer, Flat, 0.31, Fendr          | 2    |
| ▲    | 23 08709  | (000000-      | ) Nut, Hex, Lock, M8 X 1.25, NI      | 1    |

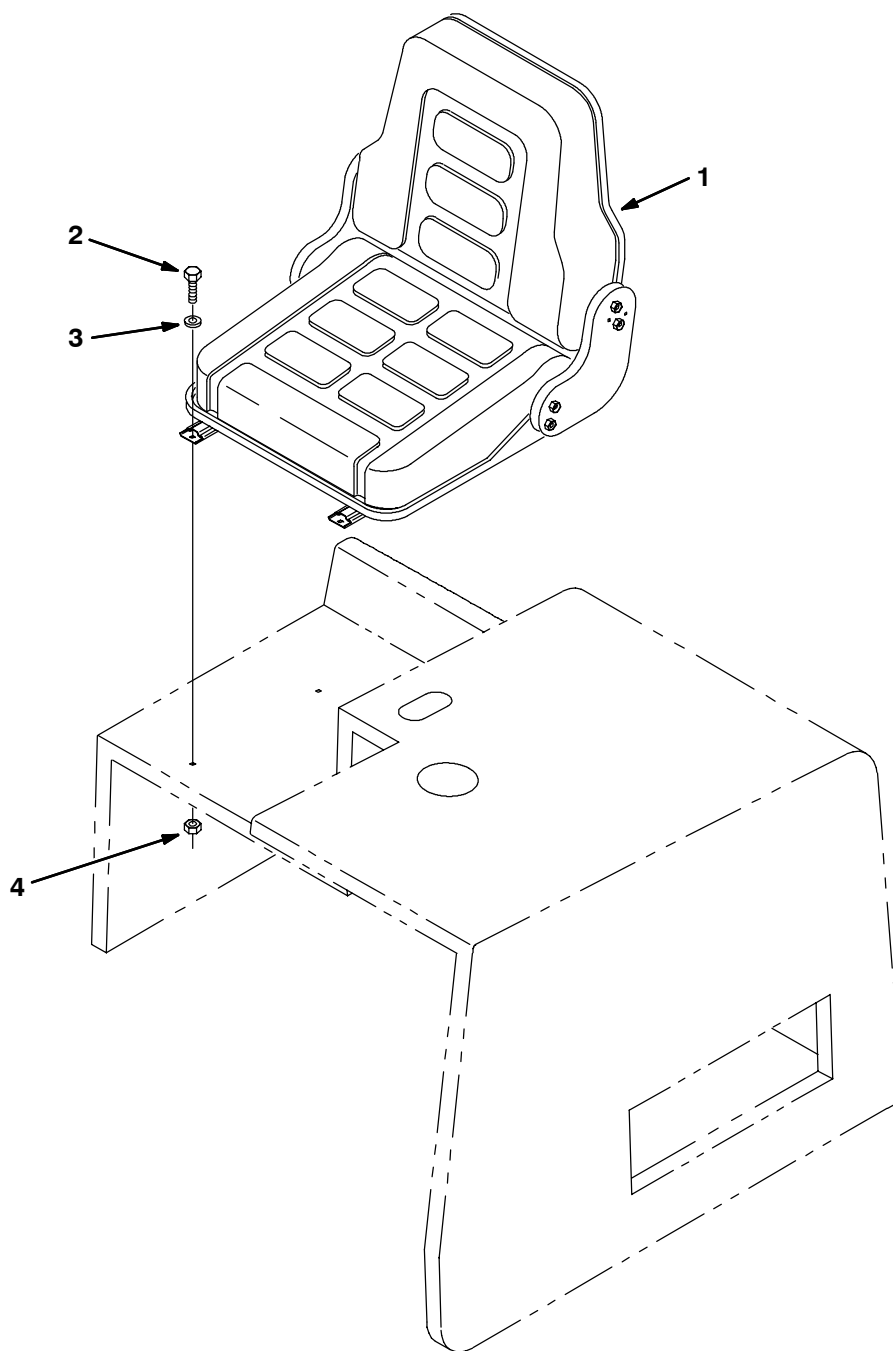
**Fig. 8 - Fire Extinguisher Kit**



350035 - ALL

| Ref. | Part No. | Serial Number | Description                    | Qty. |
|------|----------|---------------|--------------------------------|------|
| ▽    | 361211   | (000000-      | ) Extinguisher Kit, Fire 6400  | 1    |
| ▲    | 1 25312  | (000000-      | ) Extinguisher, Fire           | 1    |
| ▲    | 2 361210 | (000000-      | ) Plate, Fire Ext Mtg          | 1    |
| ▲    | 3 360973 | (000000-      | ) Scr-Pan 12 X.50 F/Plst PI    | 6    |
| ▲    | 4 02863  | (000000-      | ) Scr-Pnfmng 10 X 0.75 Type Ab | 2    |

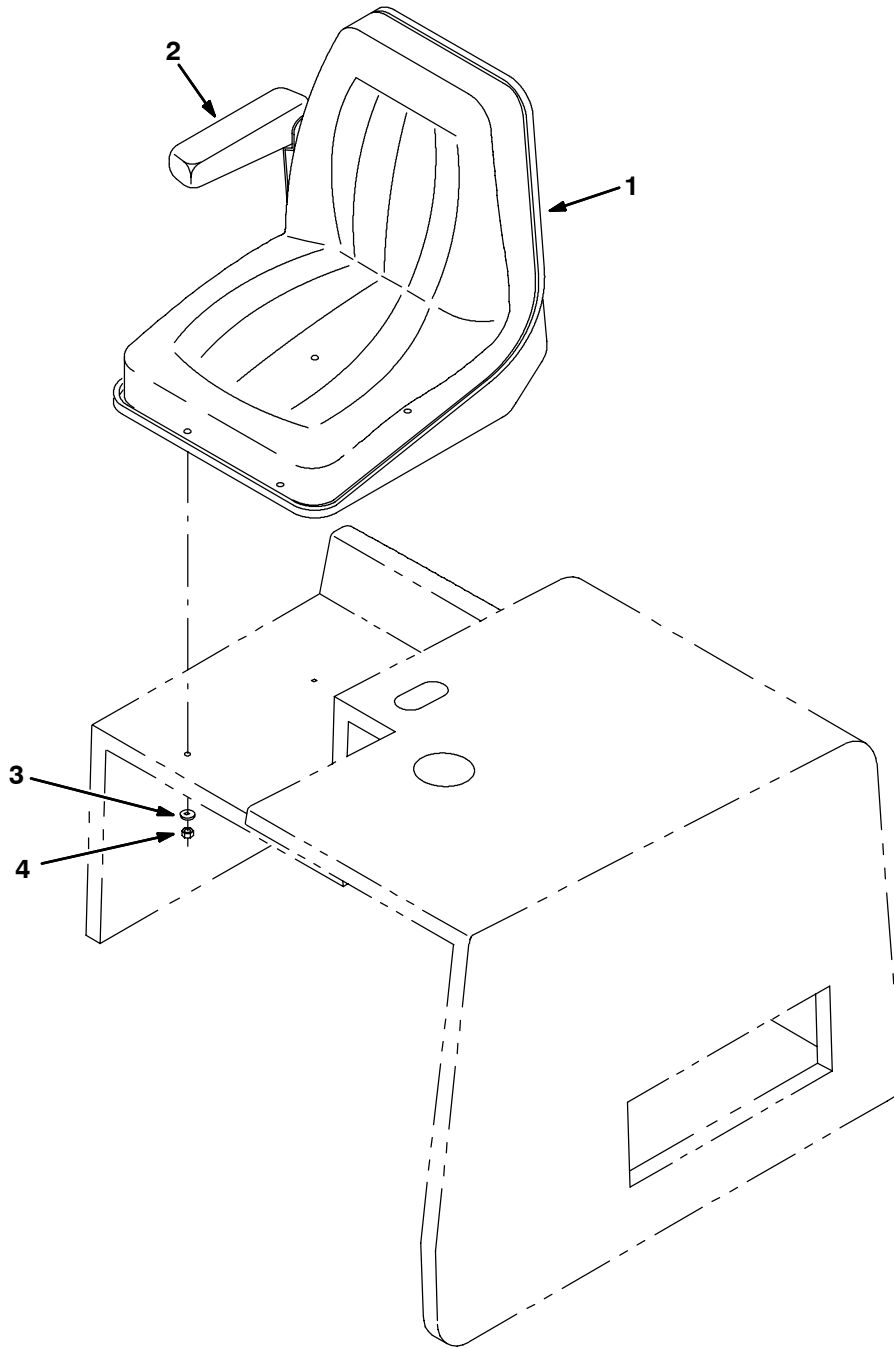
Fig. 9 - Deluxe Suspension Seat Group



350031 - ALL

| Ref. | Part No. | Serial Number | Description                       | Qty. |
|------|----------|---------------|-----------------------------------|------|
| 1    | 361146   | (000000-      | ) Seat, Grammer                   | 1    |
| 2    | 41342    | (000000-      | ) Screw, Hex, M8 X 1.25 X 40, 8.8 | 4    |
| 3    | 32490    | (000000-      | ) Washer, Flat, 0.25, Std         | 4    |
| 4    | 08709    | (000000-      | ) Nut, Hex, Lock, M8 X 1.25, NI   | 4    |

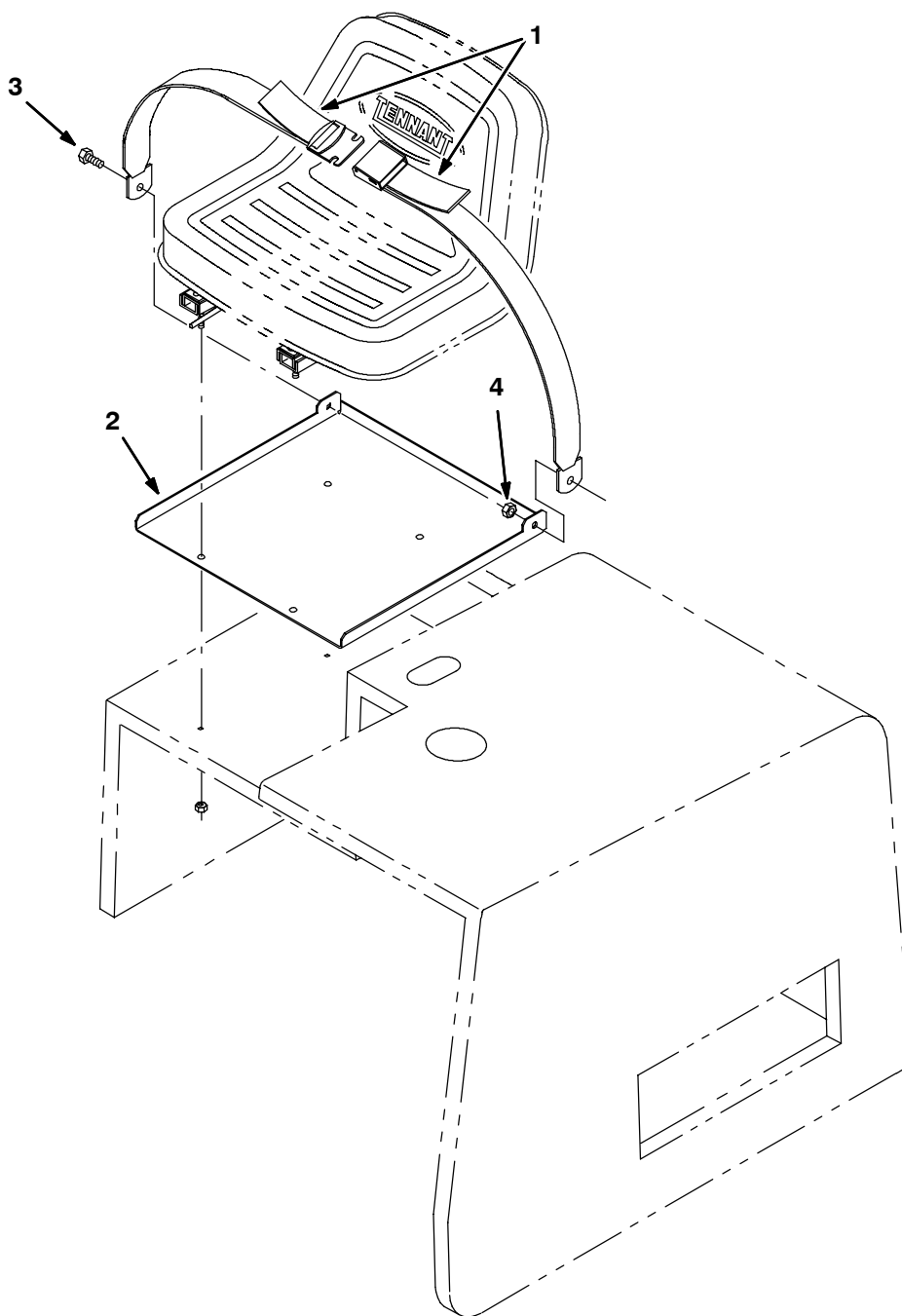
**Fig. 10 - High Back Seat Group**



350029 - ALL

|   | <b>Ref.</b> | <b>Part No.</b> | <b>Serial Number</b> | <b>Description</b>                 | <b>Qty.</b> |
|---|-------------|-----------------|----------------------|------------------------------------|-------------|
| ▽ | 1           | 77235           | (000000-             | ) Seat, Michigan                   | 1           |
| ▲ | 2           | 369810          | (000000-             | ) Replacement Kit, Armrest         | 1           |
| ▲ | 3           | 32490           | (000000-             | ) Washer, Flat, 0.25, Std          | 4           |
| ▲ | 4           | 01760           | (000000-             | ) Nut, Hex, Lock, .31-18, NI, Thin | 4           |

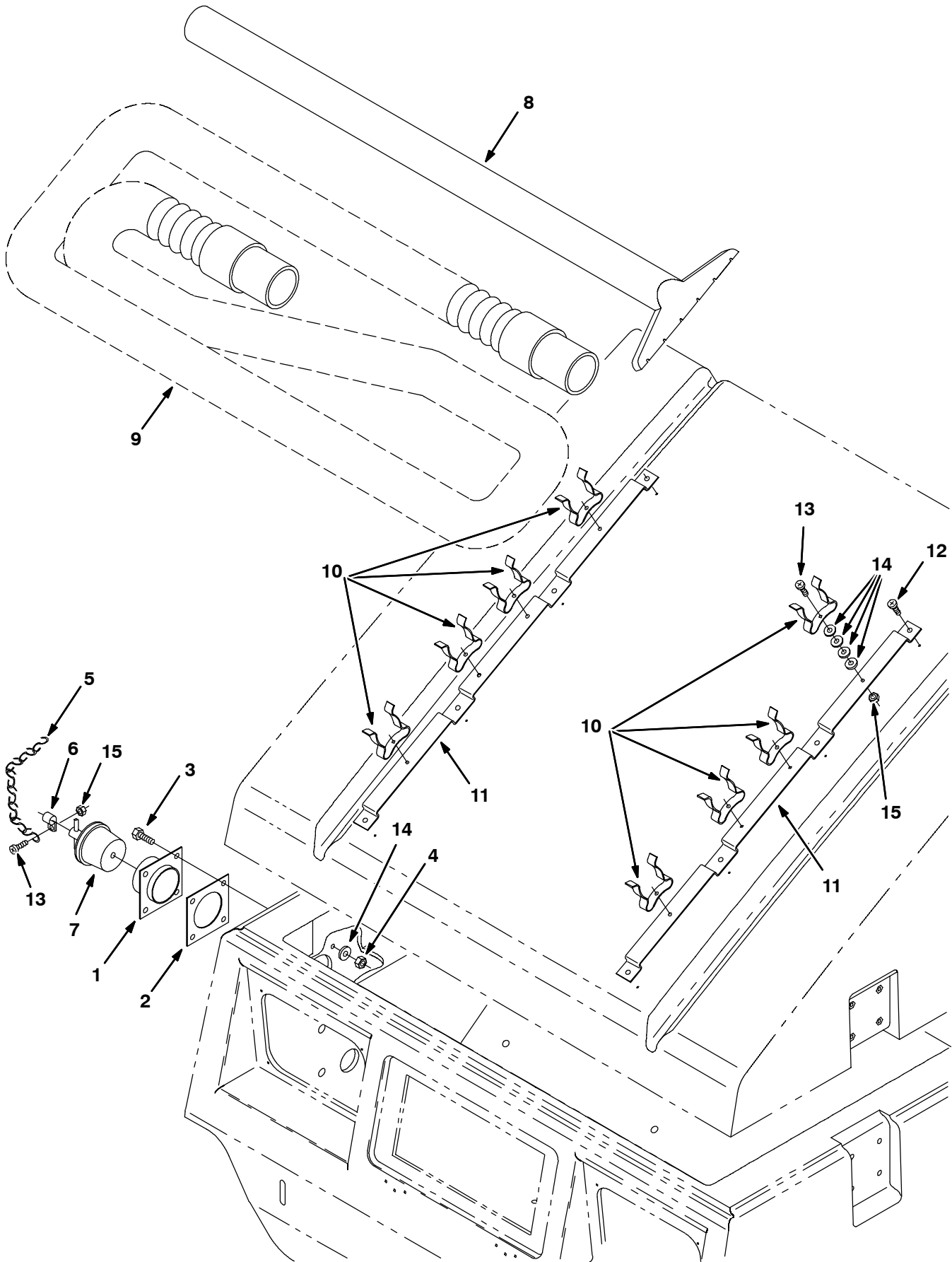
Fig. 11 - Seat Belt Kit



350033 -ALL

| Ref. | Part No. | Serial Number | Description                        | Qty. |
|------|----------|---------------|------------------------------------|------|
| ▽    | 360932   | (000000-      | ) Seat Belt Kit                    | 1    |
| ▲    | 1 30533  | (000000-      | ) Belt, Seat                       | 1    |
| ▲    | 2 360630 | (000000-      | ) Plate, Mtg, Seat Belt            | 1    |
| ▲    | 3 06961  | (000000-      | ) Screw, Hex, M10 X 1.50 X 20, 8.8 | 2    |
| ▲    | 4 41430  | (000000-      | ) Nut, Hex, Lock, M10 X 1.5, NI    | 2    |

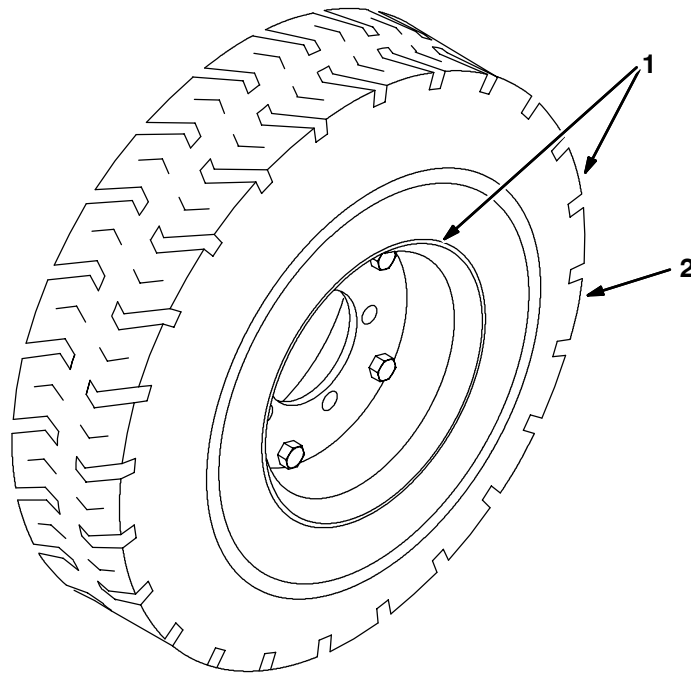
Fig. 12 - Vacuum Wand Kit



**Fig. 12 - Vacuum Wand Kit**

|   | <b>Ref.</b> | <b>Part No.</b> | <b>Serial Number</b> | <b>Description</b>                     | <b>Qty.</b> |
|---|-------------|-----------------|----------------------|--|-------------|
| ▽ |             | 360915          | (000000-             | ) Wand Kit, Vac, 6400 Line             | 1           |
| ▲ | 1           | 360912          | (000000-             | ) Adaptor Wldt, Vac Wand               | 1           |
| ▲ | 2           | 55965           | (000000-             | ) Seal, Vac Wand                       | 1           |
| ▲ | 3           | 09007           | (000000-             | ) Scr Hexssm 6X1.0 25                  | 4           |
| ▲ | 4           | 08712           | (000000-             | ) Nut Hxlocnyln M 6X1.0 Reg Ss         | 4           |
| ▲ | 5           | 44166           | (000000-             | ) Chain,Jack#12, 6Links,Znc            | 1           |
| ▲ | 6           | 26395-2         | (000000-             | ) Clamp-Cable, 0.38Dia 0.38Wth         | 1           |
| ▲ | 7           | 42124           | (000000-             | ) Plug, Drain                          | 1           |
| ▲ | 8           | 54012           | (000000-             | ) Wand                                 | 1           |
| ▲ | 9           | 54009           | (000000-             | ) Hose&2Cuff Assy,Vinyl2.0ld10Ft       | 1           |
| ▲ | 10          | 67004           | (000000-             | ) Clip-Finger Grip                     | 8           |
| ▲ | 11          | 360938          | (000000-             | ) Bracket, Vac Wand                    | 2           |
| ▲ | 12          | 360943          | (000000-             | ) Scr-Pan 10-14X0.75 F/Plst PI         | 8           |
| ▲ | 13          | 06927           | (000000-             | ) Screw, Pan, Phl, M4 X 0.70 X 16, 4.8 | 9           |
| ▲ | 14          | 19066           | (000000-             | ) Washer, Flat, 10                     | 36          |
| ▲ | 15          | 02850           | (000000-             | ) Nut, Hex, Lock, M4 X 0.70, NI        | 9           |

**Fig. 13 - Soft Ride Non-Marking Tire and Wheel Assembly, Rear**

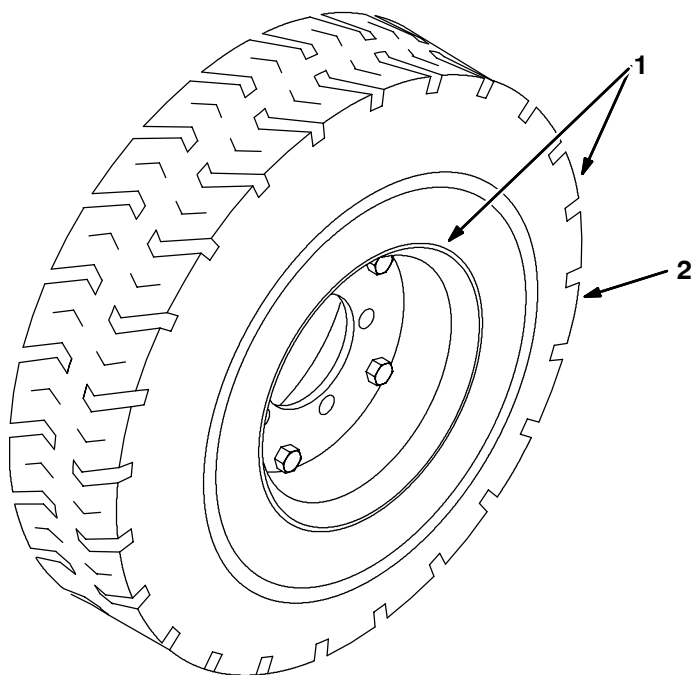


350173 - IC

|   | <b>Ref.</b> | <b>Part No.</b> | <b>Serial Number</b> | <b>Description</b>                           | <b>Qty.</b> |
|---|-------------|-----------------|----------------------|--|-------------|
| ▽ | 1           | 360295          | (000000-             | ) Tire and Wheel Assembly, Non-Marking Solid | 1           |
| ▲ | 2           | 360163          | (000000-             | ) Tire, 4.00X8-3.75 Sol. Non-Mark            | 1           |



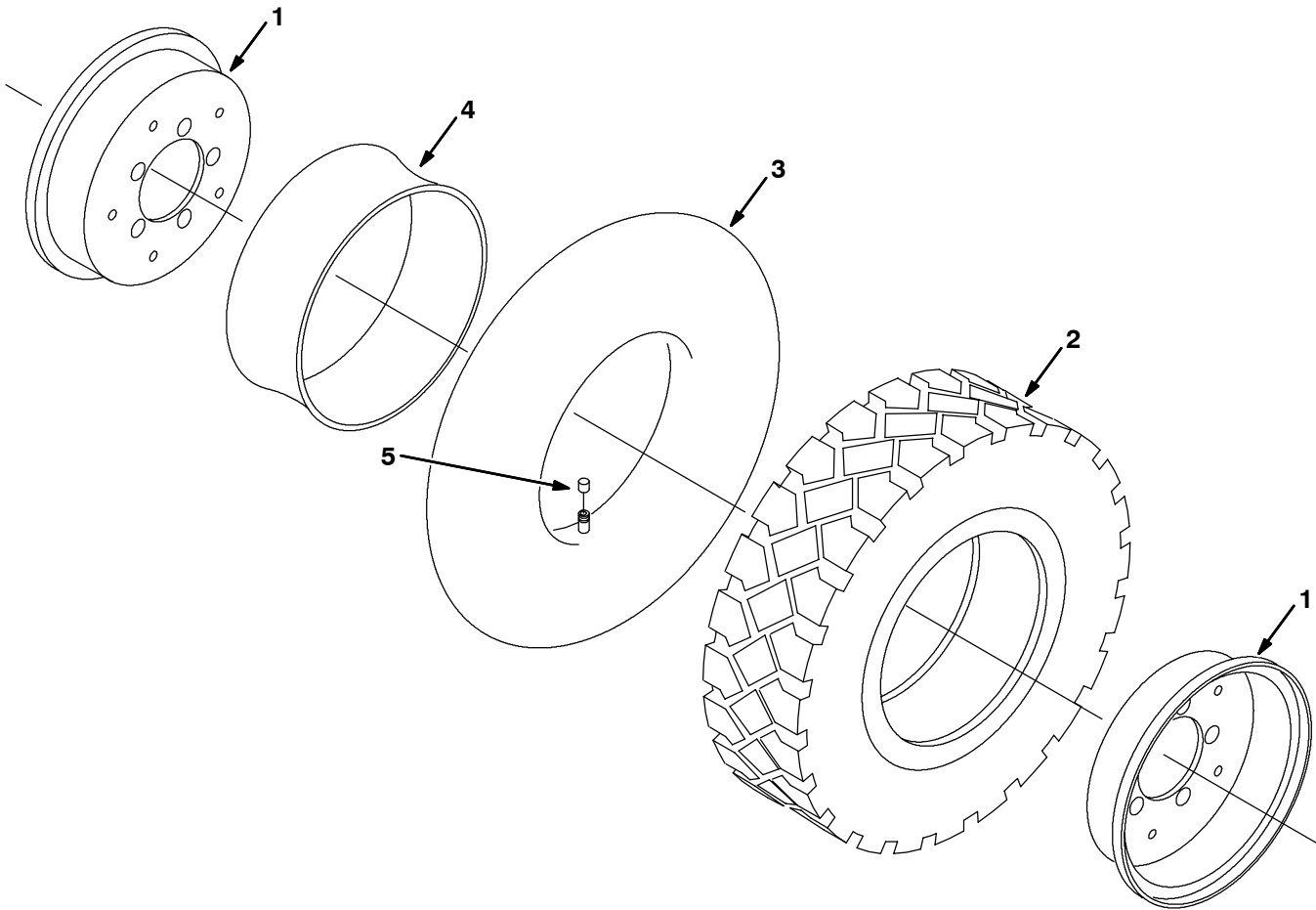
Fig. 14 - Soft Ride Puncture Proof Tire and Wheel Assembly, Rear



350173 - IC

|   | Ref. | Part No. | Serial Number | Description                        | Qty. |
|---|------|----------|---------------|------------------------------------|------|
| ▽ | 1    | 360296   | (000000-      | ) Tire and Wheel Assy 4.00-8 Solid | 1    |
| ▲ | 2    | 360162   | (000000-      | ) Tire, 4.00X8-3.75 Solid          | 1    |

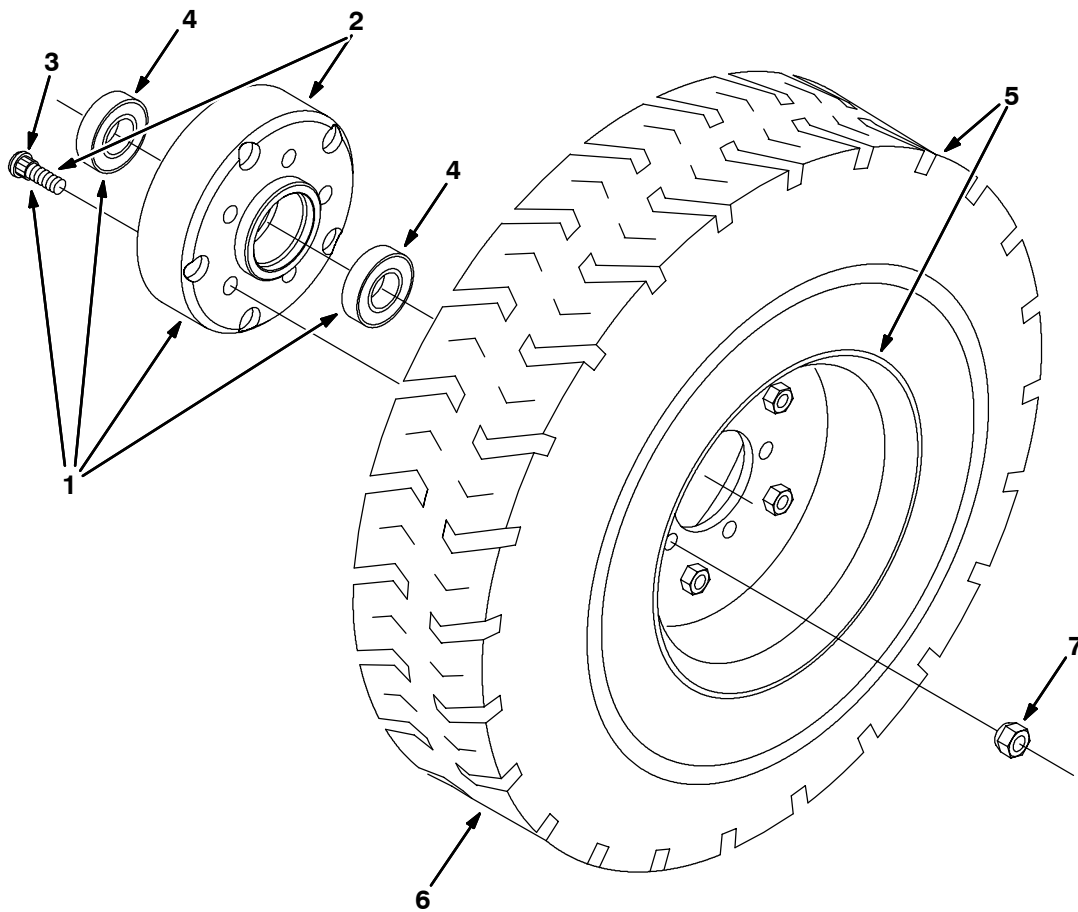
**Fig. 15 - Radial Tire and Wheel Assembly, Rear**



10932 - IC

| Ref. | Part No. | Serial Number | Description                              | Qty. |
|------|----------|---------------|--|------|
| ▽    | 361069   | (000000-      | ) Tire and Wheel Assembly 16X6 RS Radial | 1    |
| ▲    | 1 366104 | (000000-      | ) Rim Assembly                           | 1    |
| ▲▽   | 366093   | (000000-      | ) Tire, Tube & Flap Assy                 | 1    |
| ▲▲   | 2 360300 | (000000-      | ) Tire, 150/75R8 Pneumatic               | 1    |
| ▲▲   | 3 361077 | (000000-      | ) Tube, Tire-Inner 16X6-8                | 1    |
| ▲▲   | 4 366092 | (000000-      | ) Flap, Tire 2F 500                      | 1    |
| ▲    | 5 45786  | (000000-      | ) Cap, Valve Stem                        | 1    |

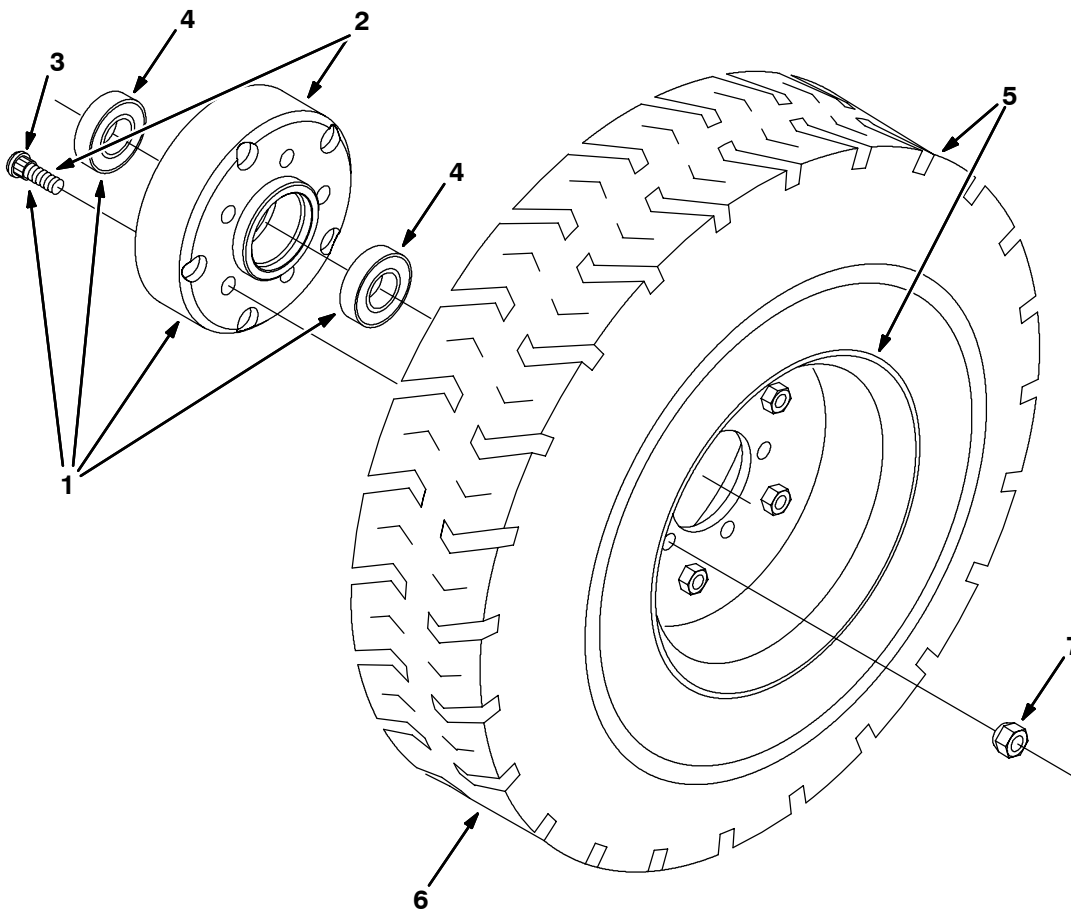
Fig. 16 - Soft Ride Non-Marking Tire and Wheel Kit, Front



352043 - IC

| Ref. | Part No. | Serial Number | Description                                 | Qty. |
|------|----------|---------------|---|------|
| ▽    | 366119   | (000000-      | ) Wheel and Tire Kit, Non-Mark Solid, Front | 1    |
| ▲▽   | 1 366107 | (000000-      | ) Hub Assembly                              | 2    |
| ▲▲   | 2 375001 | (000000-      | ) Hub, Wheel w/studs                        | 1    |
| ▲▲   | 3 32126  | (000000-      | ) Stud, Wheel .50-20 X 1.50                 | 5    |
| ▲▲   | 4 360074 | (000000-      | ) Bearing, Ball, 1.18B 2.44D 0.6            | 2    |
| ▲▽   | 5 366118 | (000000-      | ) Tire Assembly, Non-Mark - Rework          | 2    |
| ▲▲   | 6 360163 | (000000-      | ) Tire, 4.00 X 8-3.75 Sol. Non-Mark         | 1    |
| ▲    | 7 24339  | (000000-      | ) Nut-Wheel .50-20 60 Angle                 | 1    |

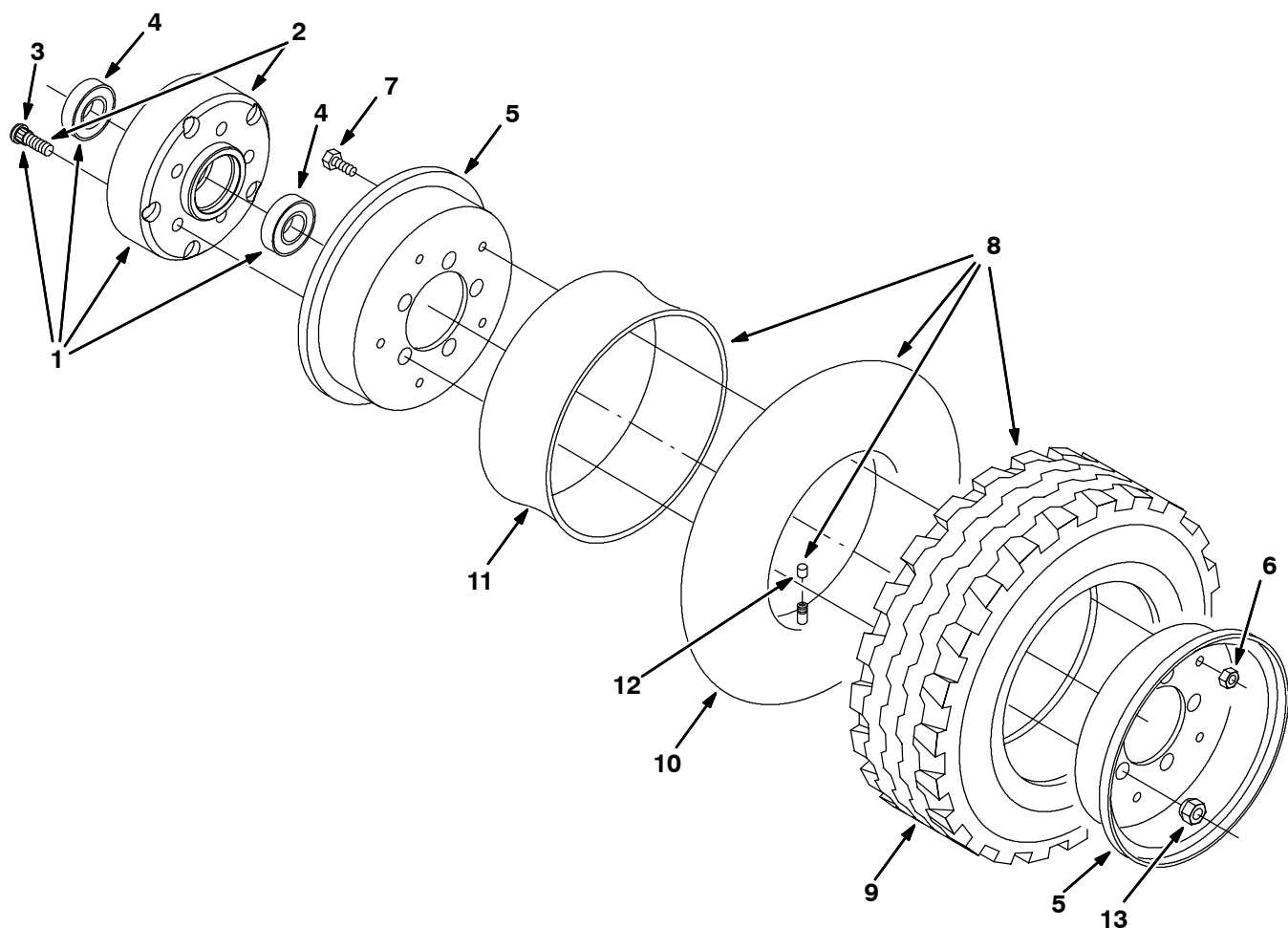
**Fig. 17 - Soft Ride Puncture Proof Tire and Wheel Kit, Front**



352043 - IC

| Ref. | Part No. | Serial Number | Description                                    | Qty. |
|------|----------|---------------|--|------|
| ▽    | 366116   | (000000-      | ) Wheel and Tire Kit, Soft Ride, Front         | 1    |
| ▲▽   | 1 366107 | (000000-      | ) Hub Assembly                                 | 2    |
| ▲▲   | 2 375001 | (000000-      | ) Hub, Wheel w/studs                           | 1    |
| ▲▲   | 3 32126  | (000000-      | ) Stud, Wheel .50-20 X 1.50                    | 5    |
| ▲▲   | 4 360074 | (000000-      | ) Bearing, Ball, 1.18B 2.44D 0.6               | 2    |
| ▲▽   | 5 366117 | (000000-      | ) Tire, Assembly, Soft Ride - Rework           | 2    |
| ▲▲   | 6 360162 | (000000-      | ) Tire, 4.00 X 8-3.75 Sol. <del>Non-Mark</del> | 1    |
| ▲    | 7 24339  | (000000-      | ) Nut-Wheel .50-20 60 Angle                    | 1    |

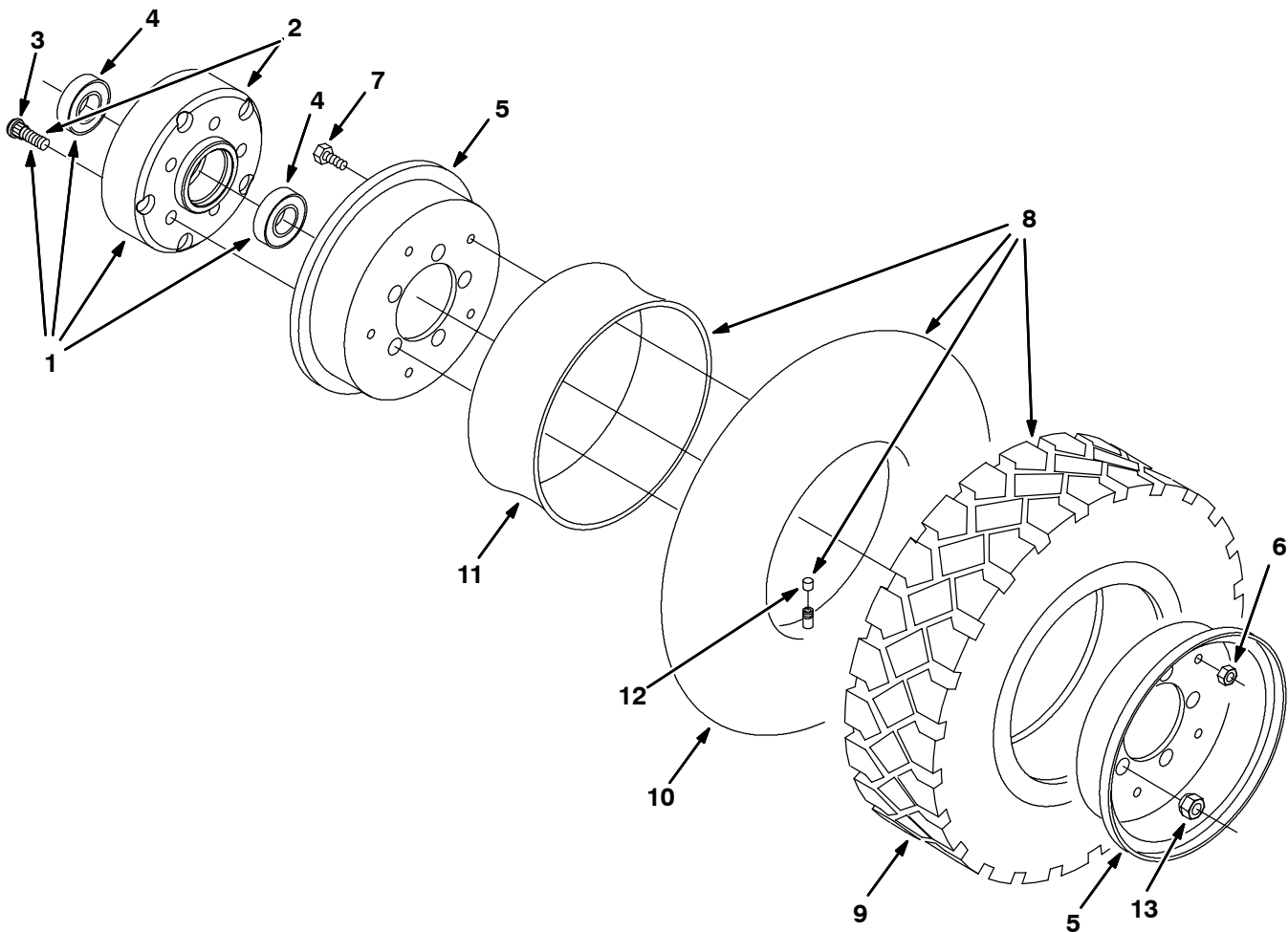
Fig. 18 - Bias Tire and Wheel Kit, Front



352047 - IC

| Ref. | Part No.  | Serial Number | Description                         | Qty. |
|------|-----------|---------------|-------------------------------------|------|
| ▽    | 366111    | (000000-      | ) Wheel and Tire Kit, Bias Front    | 1    |
| ▲▽   | 1 366107  | (000000-      | ) Hub Assembly                      | 2    |
| ▲▲   | 2 375001  | (000000-      | ) Hub, Wheel w/studs                | 1    |
| ▲▲   | 3 32126   | (000000-      | ) Stud, Wheel .50-20 X 1.50         | 5    |
| ▲▲   | 4 360074  | (000000-      | ) Bearing, Ball, 1.18B 2.44D 0.6    | 2    |
| ▲▽   | 366113    | (000000-      | ) Tire/wheel Assy, 16x6-8 10pr      | 2    |
| ▲▲   | 5 366104  | (000000-      | ) Rim Assy, 4.25" Bead X .188 Stl   | 1    |
| ▲▲   | 6 08714   | (000000-      | ) Nut, Hex, Lock, M10 X 1.5, NI, Ss | 5    |
| ▲▲   | 7 39283   | (000000-      | ) Screw, Hex, M10 X 1.50 X 25, 8.8  | 5    |
| ▲▲   | 8 366094  | (000000-      | ) Tire, Tube & Flap Assy            | 1    |
| ▲▲   | 9 361081  | (000000-      | ) Tire                              | 1    |
| ▲▲   | 10 361077 | (000000-      | ) Tube, Tire-Inner 16X6-8           | 1    |
| ▲▲   | 11 366092 | (000000-      | ) Flap, Tire 2F 500                 | 1    |
| ▲▲   | 12 45786  | (000000-      | ) Cap, Valve Stem                   | 1    |
| ▲    | 13 24339  | (000000-      | ) Nut-Wheel .50-20 60 Angle         | 10   |

**Fig. 19 - Radial Tire and Wheel Kit, Front**



352049 - IC

| Ref. | Part No.  | Serial Number | Description                               | Qty. |
|------|-----------|---------------|---|------|
| ▽    | 366112    | (000000-      | ) Wheel and Tire Kit, Radial Front        | 1    |
| ▲▽   | 1 366107  | (000000-      | ) Hub Assembly                            | 2    |
| ▲▲   | 2 375001  | (000000-      | ) Hub, Wheel w/studs                      | 1    |
| ▲▲   | 3 32126   | (000000-      | ) Stud, Wheel .50-20 X 1.50               | 5    |
| ▲▲   | 4 360074  | (000000-      | ) Bearing, Ball, 1.18B 2.44D 0.6          | 2    |
| ▲▽   | 366114    | (000000-      | ) Tire and Wheel Assembly, 16x6 RS Radial | 2    |
| ▲▲   | 5 366104  | (000000-      | ) Rim Assembly                            | 1    |
| ▲▲   | 6 08714   | (000000-      | ) Nut, Hex, Lock, M10 X 1.5, NI, Ss       | 1    |
| ▲▲   | 7 39283   | (000000-      | ) Screw, Hex, M10 X 1.50 X 25, 8.8        | 1    |
| ▲▲   | 8 366093  | (000000-      | ) Tire, Tube & Flap Assy                  | 1    |
| ▲▲   | 9 360300  | (000000-      | ) Tire, 150/75R8 Pneumatic                | 1    |
| ▲▲   | 10 361077 | (000000-      | ) Tube, Tire-Inner 16X6-8                 | 1    |
| ▲▲   | 11 366092 | (000000-      | ) Flap, Tire 2F 500                       | 1    |
| ▲▲   | 12 45786  | (000000-      | ) Cap, Valve Stem                         | 1    |
| ▲    | 13 24339  | (000000-      | ) Nut-Wheel .50-20 60 Angle               | 10   |

**Fig. 20 - Documentation Group**

07501 - G, LP, LIQ, NA

| <b>Ref.</b> | <b>Part No.</b> | <b>Serial Number</b> | <b>Description</b>                    | <b>Qty.</b> |
|-------------|-----------------|----------------------|---------------------------------------|-------------|
|             | MM429           | (000000-             | ) Manual Pkg 6400G-Liq                | 1           |
|             | MM433           | (000000-             | ) Manual, Service 6400G/D             | 1           |
|             | 1041866         | (000000-             | ) Video, Oprtr, Dvd [6400ic]          | 1           |
|             | MM429ES         | (000000-             | ) Manual, Operator 6400G-Liq, Spanish | 1           |
|             | MM429FR         | (000000-             | ) Manual, Operator 6400G-Liq, French  | 1           |
|             | 330715          | (000000-             | ) Manual, Cd-Rom, Service, All        | 1           |
|             | 385999          | (000000-             | ) Manual, Eng Service, Kubota         | 1           |





**SECTION 4**

| <b>Contents</b>  | <b>Page</b> |
|--|-------------|
| Fig. 1 - Hydraulic Piston Pump Breakdown,<br>361010 .....              | 4-2         |
| Fig. 2 - Hydraulic Gear Motor Breakdown,<br>361014 .....               | 4-4         |
| Fig. 3 - Hydraulic Gear Motor Breakdown,<br>361021 .....               | 4-6         |
| Fig. 4 - Hydraulic Gear Motor Breakdown,<br>361025 .....               | 4-8         |
| Fig. 5 - Hydraulic Gear Pump Breakdown,<br>361018 .....                | 4-10        |
| Fig. 6 - Hydraulic Control Valve Breakdown,<br>361012 .....            | 4-12        |
| Fig. 7 - Hydraulic Solenoid Control Valve<br>Breakdown, 361019 .....   | 4-14        |
| Fig. 8 - Hydraulic Cylinder Breakdown,<br>361013 .....                 | 4-16        |
| Fig. 9 - Hydraulic Steering Valve Breakdown,<br>71713 .....            | 4-18        |
| Fig. 10 - Hydraulic Solenoid Control Valve<br>Breakdown, 1048820 ..... | 4-20        |

**Fig. 1 - Hydraulic Piston Pump Breakdown, 361010**

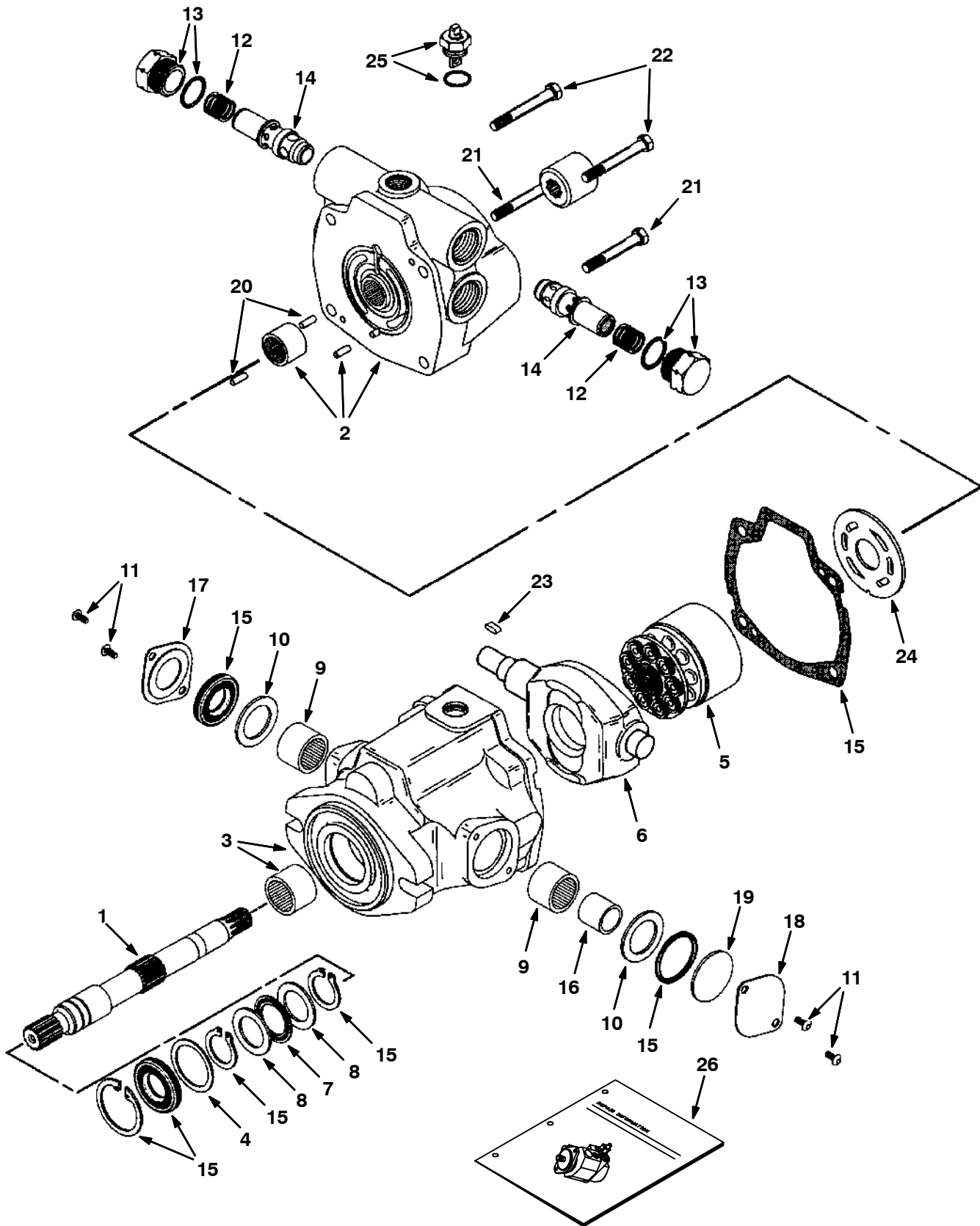


Fig. 1 - Hydraulic Piston Pump Breakdown, 361010

|   | Ref. | Part No. | Serial Number | Description                      | Qty. |
|---|------|----------|---------------|----------------------------------|------|
| ▽ |      | 361010   | (000000-      | ) Pump, Hyd Piston V 1.24 R 2000 | 1    |
| ▲ | 1    | 21925    | (000000-      | ) Shaft, Drive                   | 1    |
| ▲ | 2    | 21926    | (000000-      | ) Backplate Assy                 | 1    |
| ▲ | 3    | 21927    | (000000-      | ) Pump Housing Assy              | 1    |
| ▲ | 4    | 70096    | (000000-      | ) Washer                         | 1    |
| ▲ | 5    | 21963    | (000000-      | ) Rotating Kit                   | 1    |
| ▲ | 6    | 57897    | (000000-      | ) Camplate                       | 1    |
| ▲ | 7    | 74225    | (000000-      | ) Bearing, Thrust                | 1    |
| ▲ | 8    | 74226    | (000000-      | ) Race, Bearing                  | 2    |
| ▲ | 9    | 02709    | (000000-      | ) Bearing Cam                    | 2    |
| ▲ | 10   | 70097    | (000000-      | ) Washer                         | 2    |
| ▲ | 11   | 61891    | (000000-      | ) Screws                         | 4    |
| ▲ | 12   | 74229    | (000000-      | ) Spring                         | 2    |
| ▲ | 13   | 74230    | (000000-      | ) Plug S/A                       | 2    |
| ▲ | 14   | 60587    | (000000-      | ) Relief Valve                   | 2    |
| ▲ | 15   | 70103    | (000000-      | ) Seal Kit, Pump                 | 1    |
| ▲ | 16   | 02705    | (000000-      | ) Race, Inner Bearing            | 1    |
| ▲ | 17   | 52386    | (000000-      | ) Cover                          | 1    |
| ▲ | 18   | 70098    | (000000-      | ) Cover, Trunion                 | 1    |
| ▲ | 19   | 70099    | (000000-      | ) Cover, O-Ring                  | 1    |
| ▲ | 20   | 70100    | (000000-      | ) Pin, Dowel                     | 2    |
| ▲ | 21   | 21928    | (000000-      | ) Screw, Cap                     | 2    |
| ▲ | 22   | 21929    | (000000-      | ) Screw, Cap                     | 2    |
| ▲ | 23   | 74237    | (000000-      | ) Key                            | 1    |
| ▲ | 24   | 74180    | (000000-      | ) Plate, Valve                   | 1    |
| ▲ | 25   | 74469    | (000000-      | ) Valve, Dump                    | 1    |
| ▲ | 26   | 74248    | (000000-      | ) Repair Info, Pump              | 1    |

**Fig. 2 - Hydraulic Gear Motor Breakdown, 361014**

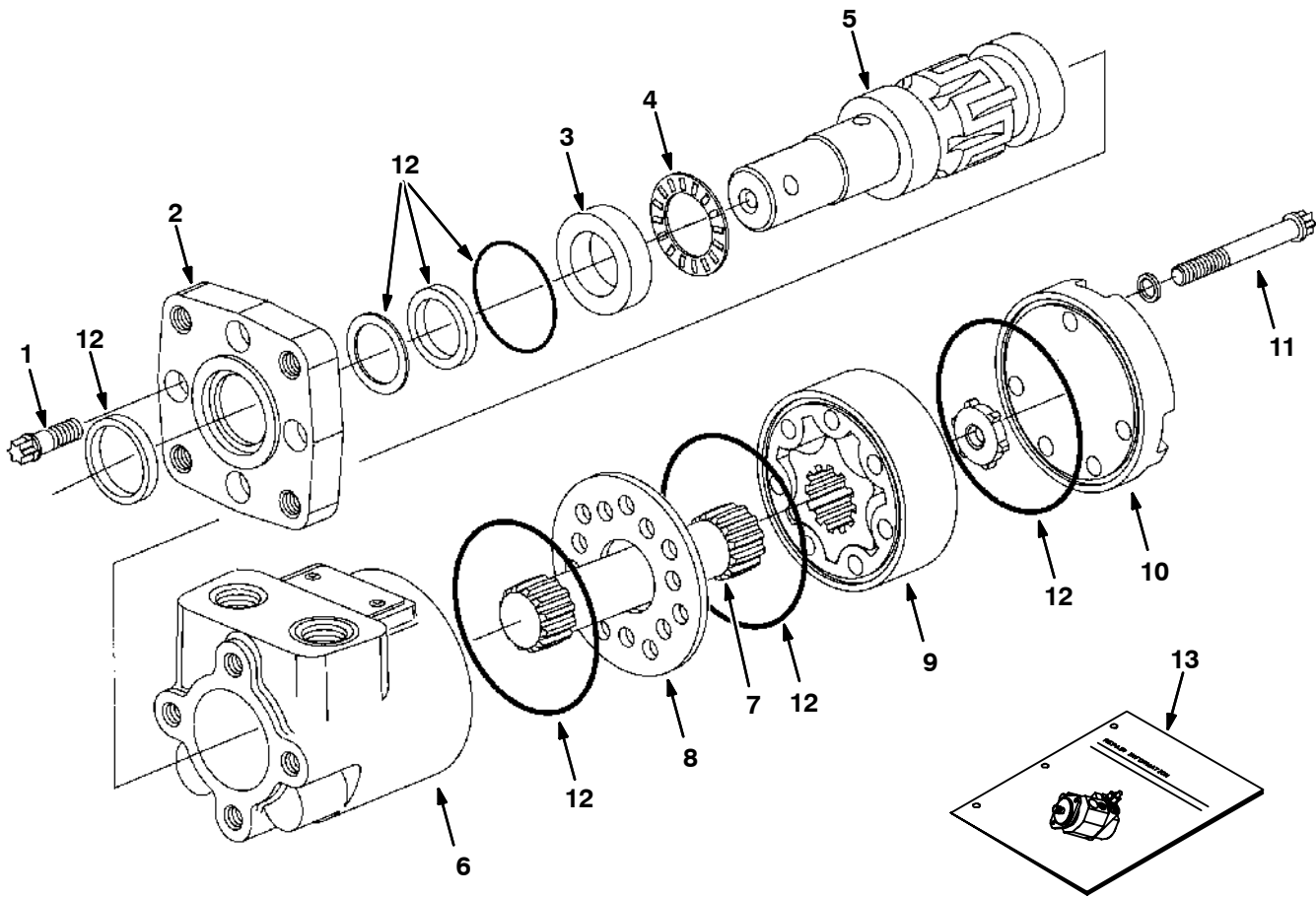


Fig. 2 - Hydraulic Gear Motor Breakdown, 361014

|   | Ref. | Part No. | Serial Number | Description                      | Qty. |
|---|------|----------|---------------|----------------------------------|------|
| ▽ |      | 361014   | (000000-      | ) Motor, Hyd Gear In 09.7 B 1500 | 1    |
| ▲ | 1    | 37555    | (000000-      | ) Screw                          | 4    |
| ▲ | 2    | 31354    | (000000-      | ) Flange Mounting                | 1    |
| ▲ | 3    | 16695    | (000000-      | ) Race Thrust                    | 1    |
| ▲ | 4    | 45628    | (000000-      | ) Thrust Bearing                 | 1    |
| ▲ | 5    | 31373    | (000000-      | ) Shaft, Output                  | 1    |
| ▲ | 6    | 74100    | (000000-      | ) Housing                        | 1    |
| ▲ | 7    | 21959    | (000000-      | ) Drive                          | 1    |
| ▲ | 8    | 74094    | (000000-      | ) Spacer Plate                   | 1    |
| ▲ | 9    | 38263    | (000000-      | ) Geroter                        | 1    |
| ▲ | 10   | 65230    | (000000-      | ) Cap, End                       | 1    |
| ▲ | 11   | 21960    | (000000-      | ) Cap Screw                      | 5    |
| ▲ | 12   | 28835    | (000000-      | ) Seal Kit, Motor A/H-Stnd       | 1    |
|   | 13   | 74250    | (000000-      | ) Instr. Repair Info, Motor      | 1    |

**Fig. 3 - Hydraulic Gear Motor Breakdown, 361021**

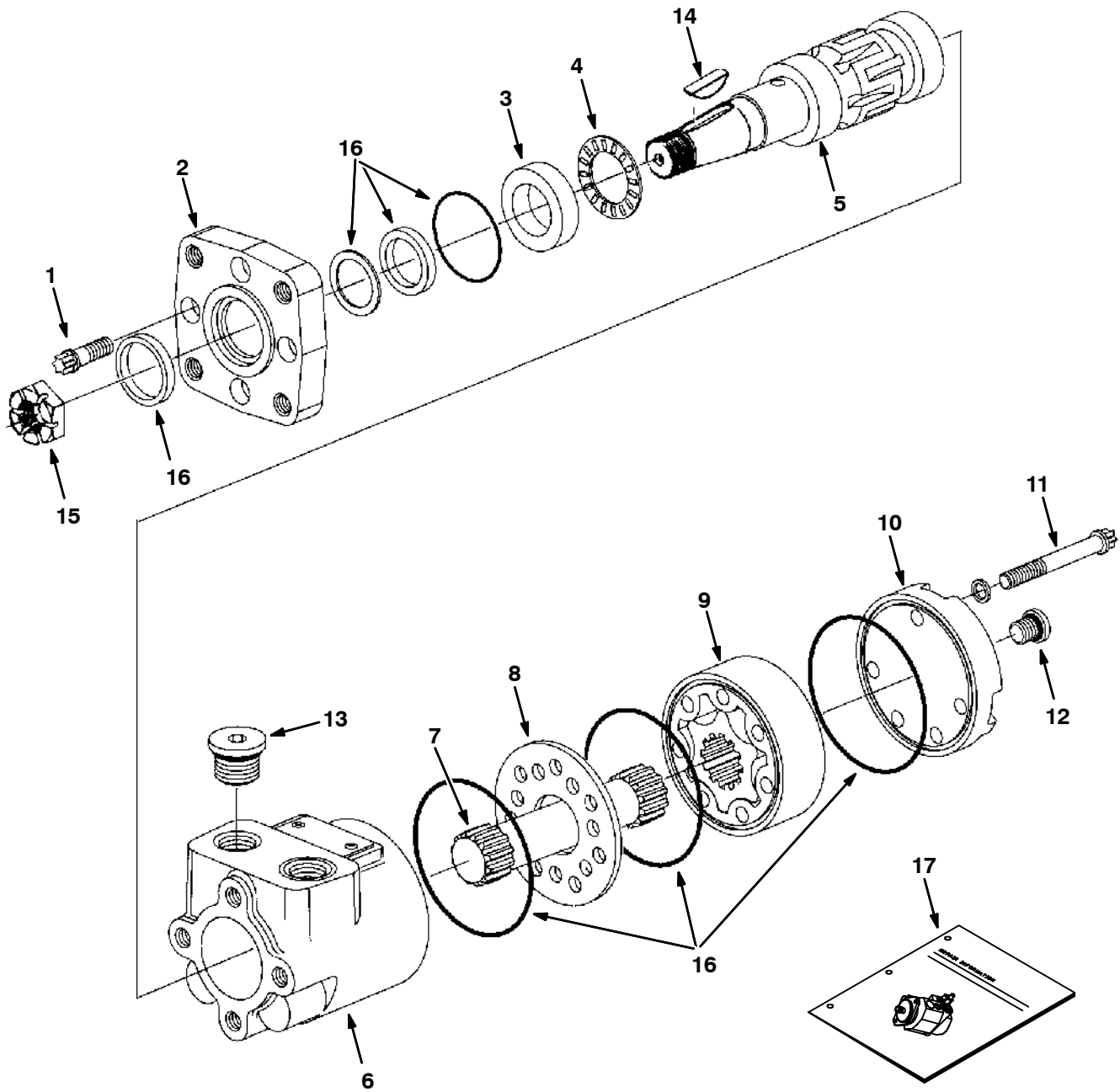


Fig. 3 - Hydraulic Gear Motor Breakdown, 361021

| Ref. | Part No.    | Serial Number | Description                      | Qty. |
|------|-------------|---------------|----------------------------------|------|
| ▽    | 361021      | (000000-      | ) Motor, Hyd Gear In 02.2 B 1500 | 1    |
| ▲    | 1 37555     | (000000-      | ) Screw                          | 4    |
| ▲    | 2 31354     | (000000-      | ) Flange Mounting                | 1    |
| ▲    | 3 16695     | (000000-      | ) Race Thrust                    | 1    |
| ▲    | 4 45628     | (000000-      | ) Thrust Bearing                 | 1    |
| ▲    | 5 31375     | (000000-      | ) Shaft, Output                  | 1    |
| ▲    | 6 74100     | (000000-      | ) Housing                        | 1    |
| ▲    | 7 34176     | (000000-      | ) Drive                          | 1    |
| ▲    | 8 74094     | (000000-      | ) Spacer Plate                   | 1    |
| ▲    | 9 65229     | (000000-      | ) Gerotor Set                    | 1    |
| ▲    | 10 74095    | (000000-      | ) End Cap                        | 1    |
| ▲    | 11 74174    | (000000-      | ) Cap, Screw                     | 5    |
| ▲    | 12 74098    | (000000-      | ) Plug #4                        | 1    |
| ▲    | 13 74099    | (000000-      | ) Plug #10                       | 2    |
| ▲    | 14 00500-15 | (000000-      | ) Key-Wdruff 0.25 1.00 Asa#0808  | 1    |
| ▲    | 15 39527    | (000000-      | ) Nut-Hxslot .75-16 Pltd         | 1    |
| ▲    | 16 28835    | (000000-      | ) Seal Kit, Motor A/H-Stnd       | 1    |
|      | 17 74250    | (000000-      | ) Instr. Repair Info, Motor      | 1    |

**Fig. 4 - Hydraulic Gear Motor Breakdown, 361025**

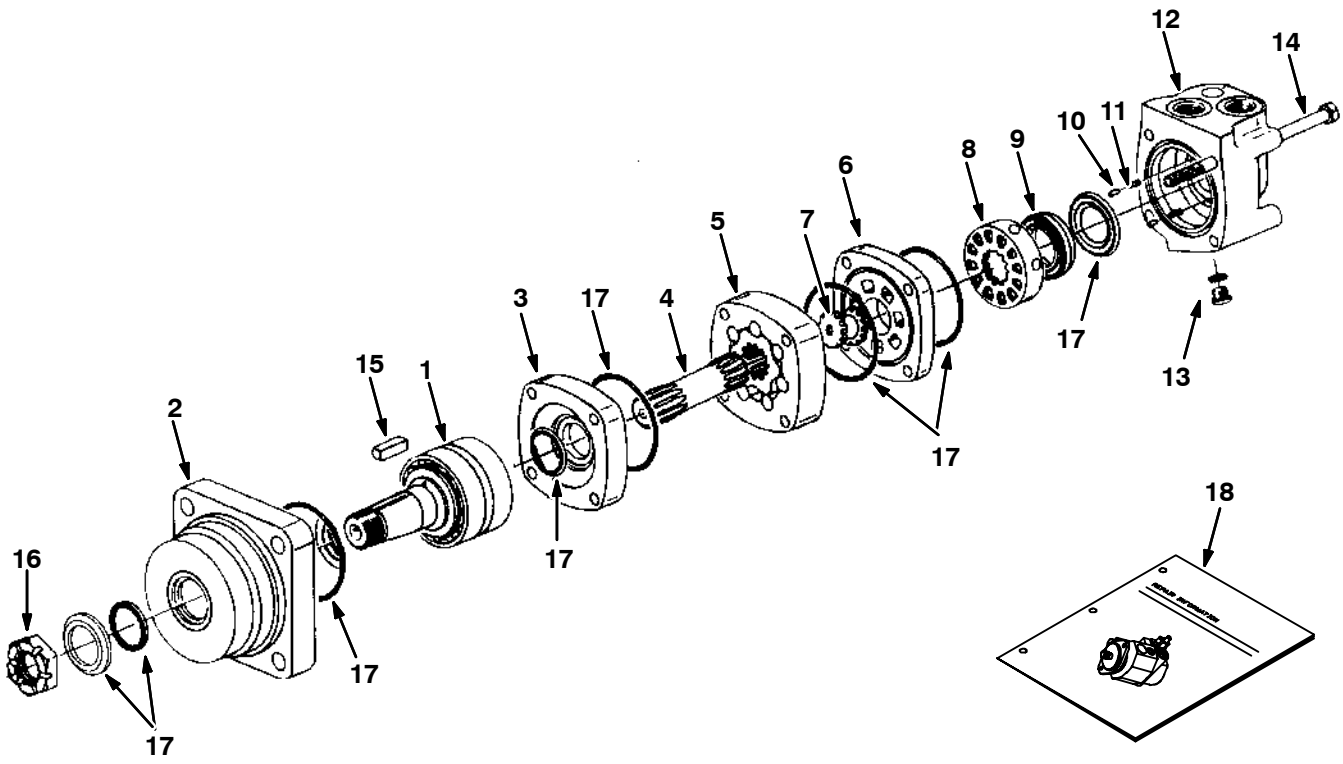




Fig. 4 - Hydraulic Gear Motor Breakdown, 361025

|   | Ref. | Part No. | Serial Number | Description                      | Qty. |
|---|------|----------|---------------|----------------------------------|------|
| ▽ |      | 361025   | (000000-      | ) Motor, Hyd Gear In 18.6 B 3000 | 1    |
| ▲ | 1    | 21951    | (000000-      | ) Shaft/Brg Kit                  | 1    |
| ▲ | 2    | 21952    | (000000-      | ) Housing, Brg                   | 1    |
| ▲ | 3    | 51417    | (000000-      | ) Plate                          | 1    |
| ▲ | 4    | 02603    | (000000-      | ) Drive                          | 1    |
| ▲ | 5    | 02645    | (000000-      | ) Geroler                        | 1    |
| ▲ | 6    | 02646    | (000000-      | ) Valve Plate                    | 1    |
| ▲ | 7    | 57370    | (000000-      | ) Valve Drive                    | 1    |
| ▲ | 8    | 02647    | (000000-      | ) Valve                          | 1    |
| ▲ | 9    | 57373    | (000000-      | ) Balance Ring                   | 1    |
| ▲ | 10   | 57374    | (000000-      | ) Pin                            | 2    |
| ▲ | 11   | 57375    | (000000-      | ) Spring                         | 2    |
| ▲ | 12   | 74119    | (000000-      | ) Housing, Valve                 | 1    |
| ▲ | 13   | 74098    | (000000-      | ) Plug #4                        | 1    |
| ▲ | 14   | 74120    | (000000-      | ) Bolt                           | 4    |
| ▲ | 15   | 38315    | (000000-      | ) Key                            | 1    |
| ▲ | 16   | 38490    | (000000-      | ) Nut                            | 1    |
| ▲ | 17   | 21953    | (000000-      | ) Seal Kit, Mtr                  | 1    |
|   | 18   | 79729    | (000000-      | ) Repair Info, Motor             | 1    |

**Fig. 5 - Hydraulic Gear Pump Breakdown, 361018**

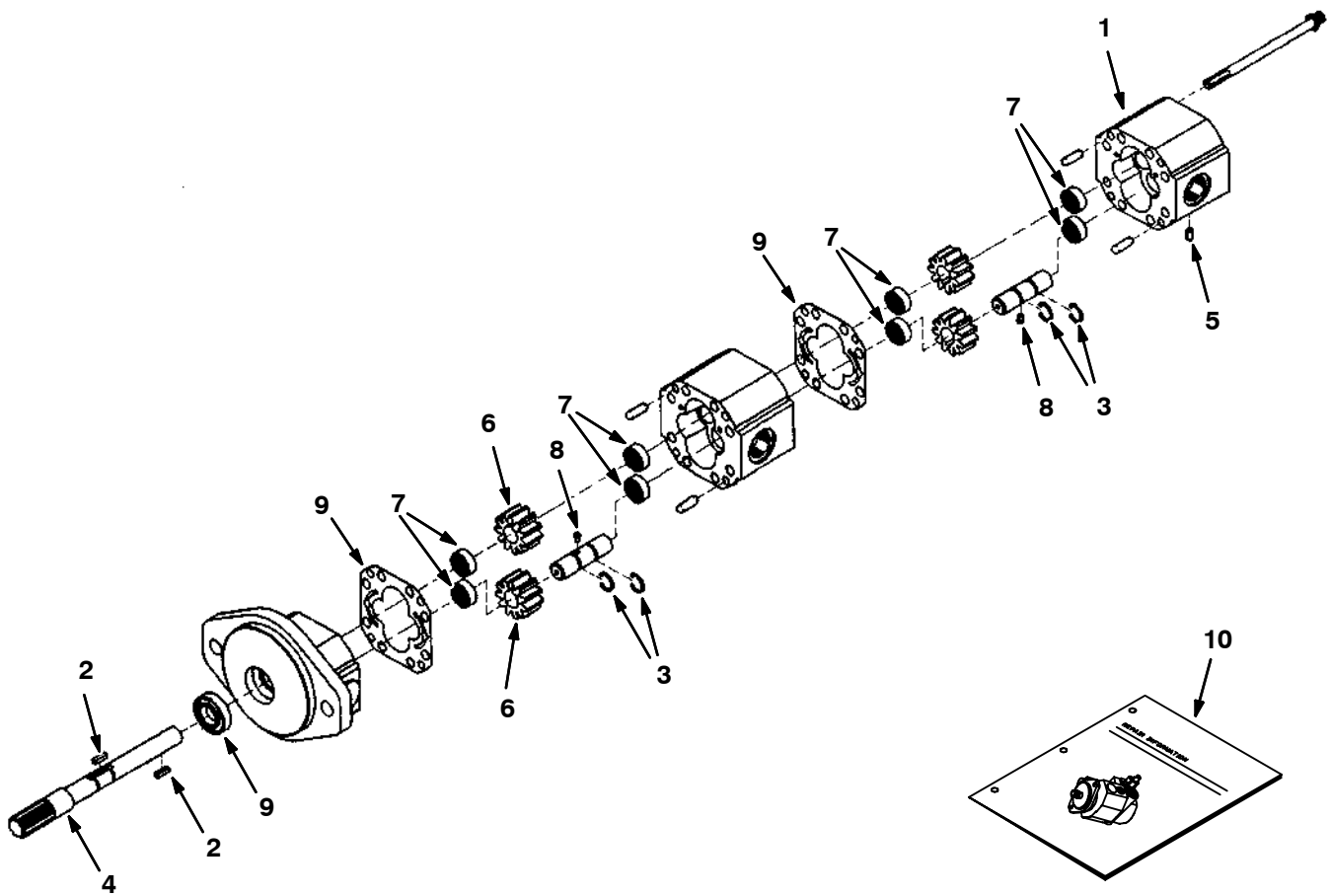


Fig. 5 - Hydraulic Gear Pump Breakdown, 361018

|   | Ref. | Part No. | Serial Number | Description                       | Qty. |
|---|------|----------|---------------|-----------------------------------|------|
| ▽ |      | 361018   | (000000-      | ) Pump, Hyd Gear Ex2 0.39 R 1600  | 1    |
| ▲ | 1    | 21978    | (000000-      | ) End Housing                     | 1    |
| ▲ | 2    | 21980    | (000000-      | ) Key, Square                     | 2    |
| ▲ | 3    | 21981    | (000000-      | ) Crescent Ring                   | 6    |
| ▲ | 4    | 21982    | (000000-      | ) Drive Shaft                     | 1    |
| ▲ | 5    | 21983    | (000000-      | ) Plug, Lee                       | 1    |
| ▲ | 6    | 21984    | (000000-      | ) Gear, Gc .750                   | 2    |
| ▲ | 7    | 21985    | (000000-      | ) Bearing, Needle                 | 8    |
| ▲ | 8    | 21993    | (000000-      | ) Pin, Drive                      | 2    |
| ▲ | 9    | SK2561   | (000000-      | ) Seal Kit-Hyd. Motor, Brns & Mte | 1    |
|   | 10   | IB2561   | (000000-      | ) Instr Motor Seal Kit            | 1    |

**Fig. 6 - Hydraulic Control Valve Breakdown, 361012**

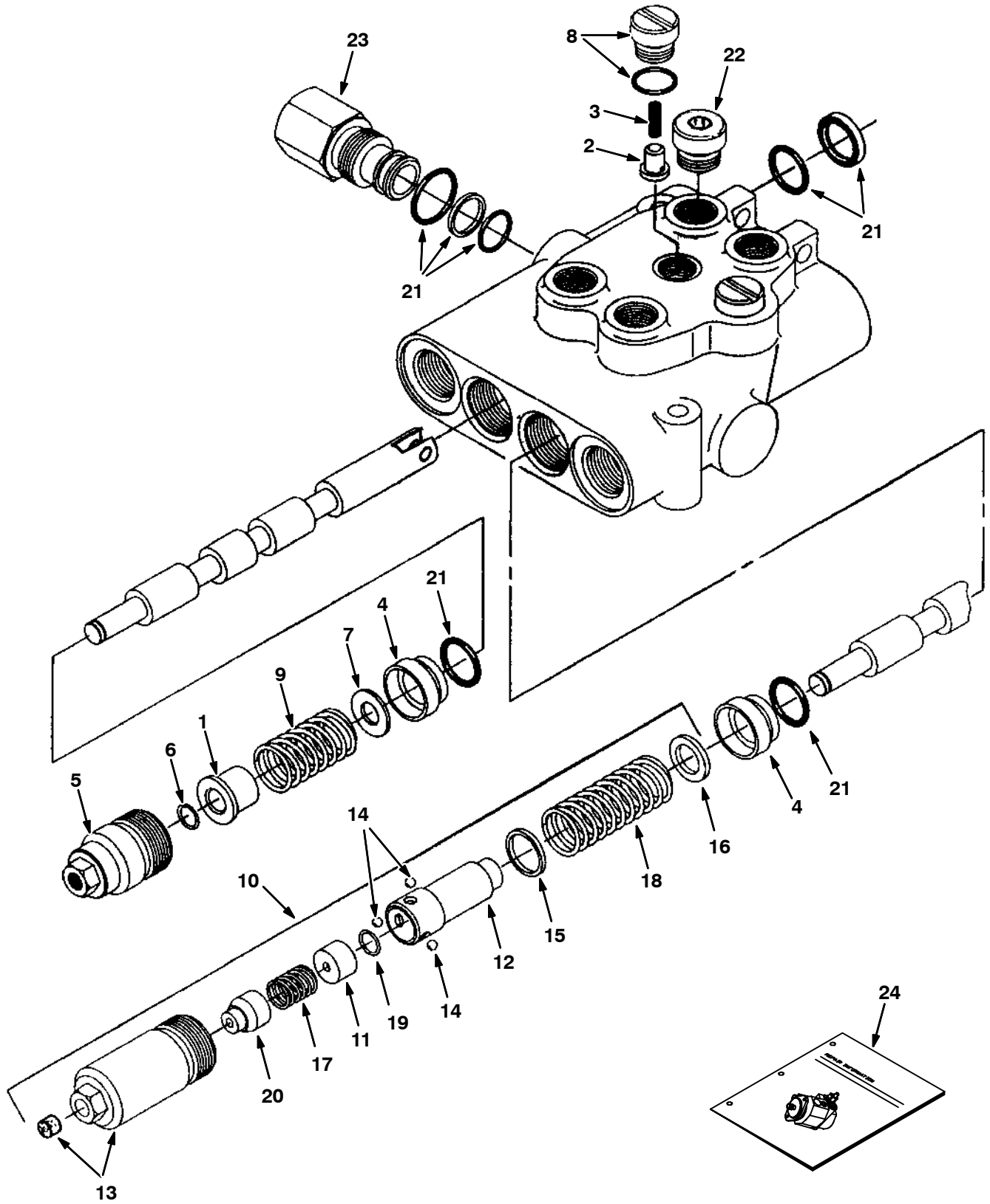


Fig. 6 - Hydraulic Control Valve Breakdown, 361012

|    | Ref. | Part No. | Serial Number | Description              | Qty.                       |   |
|----|------|----------|---------------|--------------------------|----------------------------|---|
| ▽  |      | 361012   | (000000-      | ) Valve, Hyd Control Man | 1                          |   |
| ▲  | 1    | 79785    | (000000-      | ) Spacer                 | 1                          |   |
| ▲  | 2    | 79786    | (000000-      | ) Plunger                | 2                          |   |
| ▲  | 3    | 79787    | (000000-      | ) Spring                 | 2                          |   |
| ▲  | 4    | 79788    | (000000-      | ) Bushing                | 2                          |   |
| ▲  | 5    | 79789    | (000000-      | ) Cap Assembly           | 1                          |   |
| ▲  | 6    | 79792    | (000000-      | ) Ring, Retaining        | 1                          |   |
| ▲  | 7    | 79794    | (000000-      | ) Washer                 | 1                          |   |
| ▲  | 8    | 79795    | (000000-      | ) Plug & O-Ring          | 2                          |   |
| ▲  | 9    | 79796    | (000000-      | ) Spring                 | 1                          |   |
| ▲▽ | 10   | 79814    | (000000-      | ) Kit, Detent In         | 1                          |   |
| ▲▲ | 11   | 79801    | (000000-      | ) Spacer                 | 1                          |   |
| ▲▲ | 12   | 79802    | (000000-      | ) Detent Adaptr          | 1                          |   |
| ▲▲ | 13   | 21961    | (000000-      | ) Cap Assembly           | 1                          |   |
| ▲▲ | 14   | 79804    | (000000-      | ) Ball                   | 3                          |   |
| ▲▲ | 15   | 79805    | (000000-      | ) Washer                 | 1                          |   |
| ▲▲ | 16   | 79806    | (000000-      | ) Washer                 | 1                          |   |
| ▲▲ | 17   | 79807    | (000000-      | ) Spring                 | 1                          |   |
| ▲▲ | 18   | 79808    | (000000-      | ) Spring                 | 1                          |   |
| ▲▲ | 19   | 79792    | (000000-      | ) Ring, Retaining        | 1                          |   |
| ▲▲ | 20   | 79800    | (000000-      | ) Cone                   | 1                          |   |
| ▲  | 21   | 79812    | (000000-      | ) Seal Kit, Vlv          | 1                          |   |
| ▲  | 22   | 13904    | (000000-      | ) Plug Gage #6           | 2                          |   |
|    |      | 23       | 361028        | (000000-                 | ) Plug Assy,Byd            | 1 |
|    |      | 24       | 79820         | (000000-                 | ) Instr. Valve Repair Info | 1 |

**Fig. 7 - Hydraulic Solenoid Control Valve Breakdown, 361019**

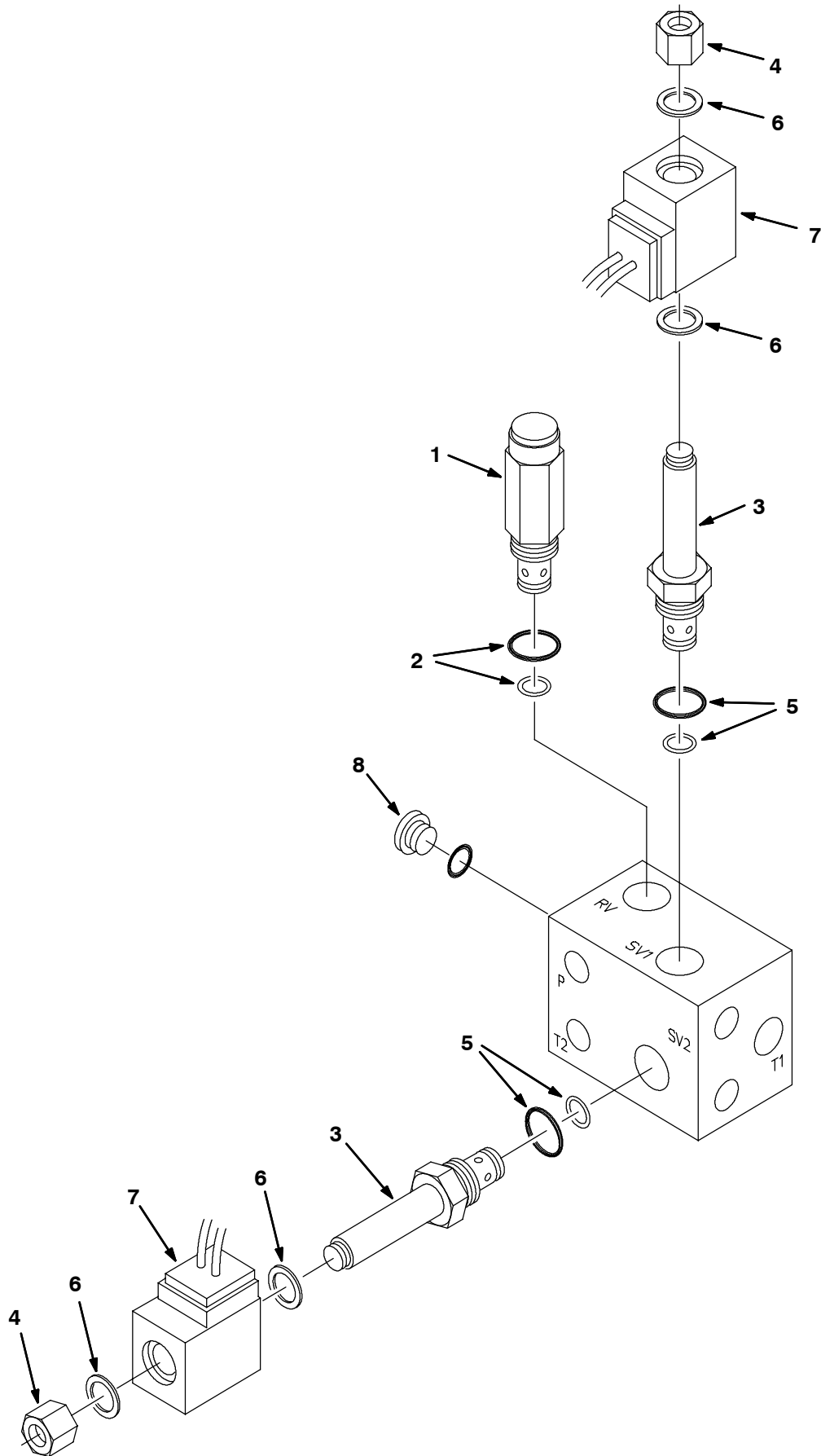


Fig. 7 - Hydraulic Solenoid Control Valve Breakdown, 361019

|    | Ref. | Part No. | Serial Number | Description            | Qty. |
|----|------|----------|---------------|------------------------|------|
| ▽  |      | 361019   | (000000-      | ) Valve, Hyd Cntrl Sol | 1    |
| ▲▽ | 1    | 21948    | (000000-      | ) Cart, PSI CN CP      | 1    |
| ▲▲ | 2    | 79711    | (000000-      | ) Seal Kit, Cart Cp    | 1    |
| ▲▽ | 3    | 79739    | (000000-      | ) Valve Stem N.O. Cp   | 2    |
| ▲▲ | 4    | 79731    | (000000-      | ) Nut, Cart., Lng Cp   | 1    |
| ▲▲ | 5    | 79711    | (000000-      | ) Seal Kit, Cart Cp    | 1    |
| ▲▲ | 6    | 79740    | (000000-      | ) Seal Kit, Coil Cp    | 1    |
| ▲  | 7    | 21917    | (000000-      | ) Coil, 12V            | 2    |
| ▲  | 8    | 13904    | (000000-      | ) Plug #6              | 1    |

**Fig. 8 - Hydraulic Cylinder Breakdown, 361013**

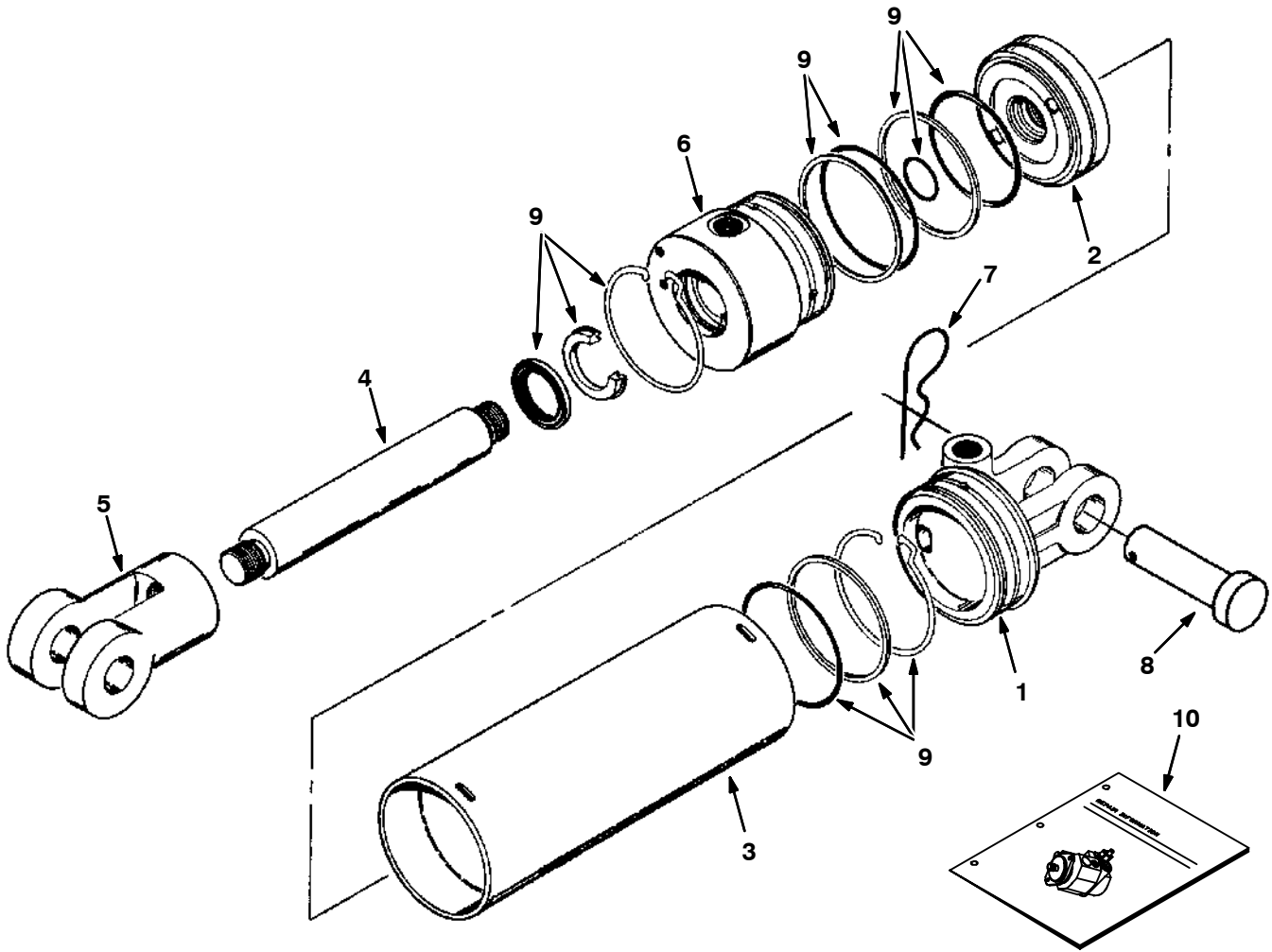




Fig. 8 - Hydraulic Cylinder Breakdown, 361013

|   | Ref. | Part No. | Serial Number | Description                     | Qty. |
|---|------|----------|---------------|---------------------------------|------|
| ▽ |      | 361013   | (000000-      | ) Cylinder, Hyd 2.5B 13.5S 2500 | 1    |
| ▲ | 1    | 21964    | (000000-      | ) Head                          | 1    |
| ▲ | 2    | 21965    | (000000-      | ) Piston                        | 1    |
| ▲ | 3    | 21966    | (000000-      | ) Barrel                        | 1    |
| ▲ | 4    | 21967    | (000000-      | ) Piston Rod                    | 1    |
| ▲ | 5    | 21972    | (000000-      | ) Rod End                       | 1    |
| ▲ | 6    | 21973    | (000000-      | ) Bearing                       | 1    |
| ▲ | 7    | 87851    | (000000-      | ) Keeper                        | 1    |
| ▲ | 8    | 21974    | (000000-      | ) Clevis Pin                    | 1    |
| ▲ | 9    | 48577    | (000000-      | ) Seal Kit                      | 1    |
|   | 10   | 79784    | (000000-      | ) Repair Info,Cyl               | 1    |

**Fig. 9 - Hydraulic Steering Valve Breakdown, 71713**

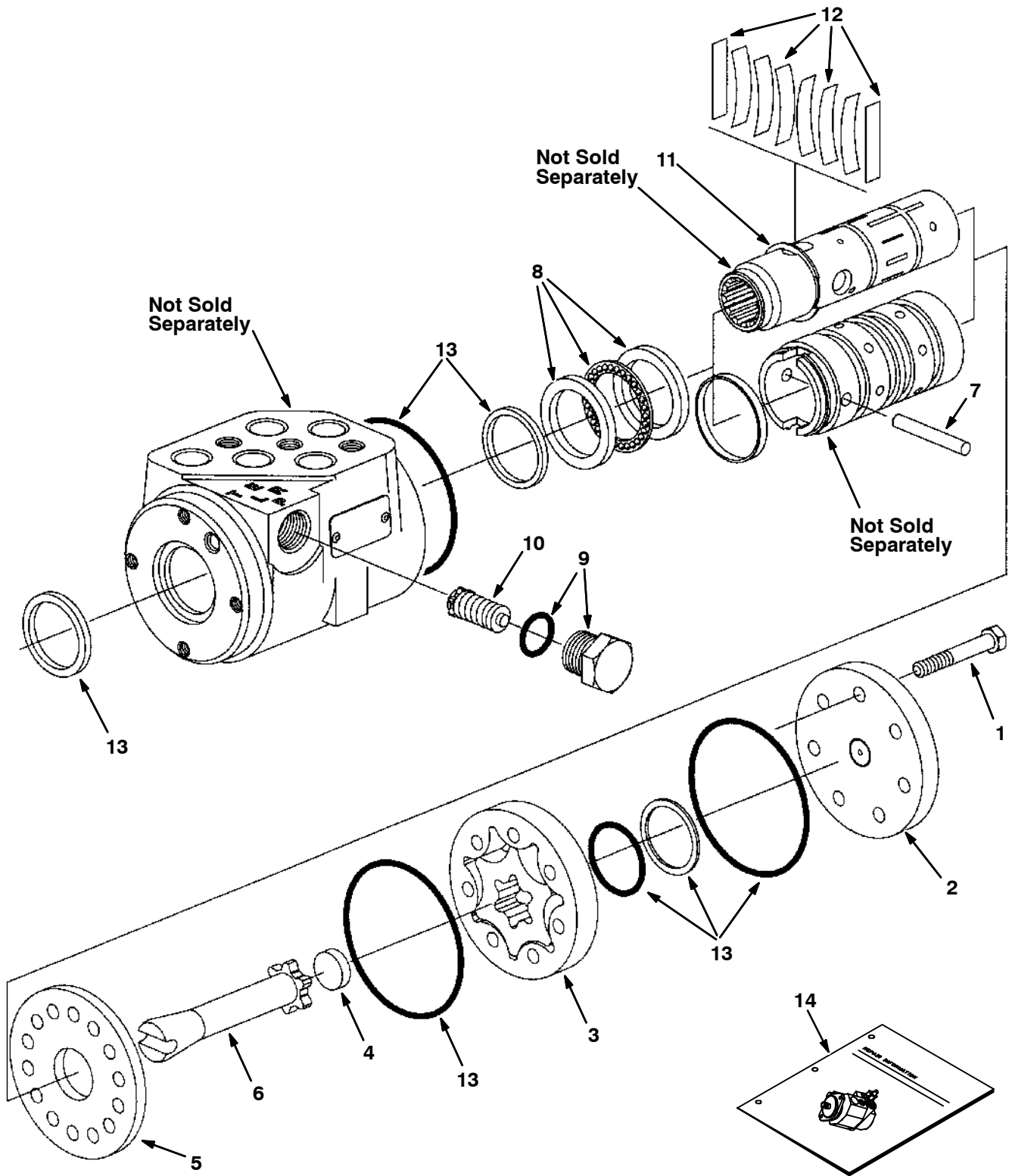


Fig. 9 - Hydraulic Steering Valve Breakdown, 71713

|   | Ref. | Part No. | Serial Number | Description                      | Qty. |
|---|------|----------|---------------|----------------------------------|------|
| ▽ |      | 71713    | (000000-      | ) Steer Control, Hyd#2 06.1 1160 | 1    |
| ▲ | 1    | 74183    | (000000-      | ) Screw, Cap                     | 7    |
| ▲ | 2    | 74185    | (000000-      | ) Cap, End                       | 1    |
| ▲ | 3    | 74192    | (000000-      | ) Gerotor                        | 1    |
| ▲ | 4    | 74193    | (000000-      | ) Spacer                         | 1    |
| ▲ | 5    | 74222    | (000000-      | ) Plate, Wear                    | 1    |
| ▲ | 6    | 74231    | (000000-      | ) Drive                          | 1    |
| ▲ | 7    | 74232    | (000000-      | ) Pin                            | 1    |
| ▲ | 8    | 21935    | (000000-      | ) Bearing Kit                    | 1    |
| ▲ | 9    | 21933    | (000000-      | ) Plug Assembly                  | 1    |
| ▲ | 10   | 21934    | (000000-      | ) Relief Vlv Assy                | 1    |
| ▲ | 11   | 74243    | (000000-      | ) Ring, Retaining                | 1    |
| ▲ | 12   | 74196    | (000000-      | ) Spring Kit                     | 1    |
| ▲ | 13   | 74244    | (000000-      | ) Seal Kit, Stg                  | 1    |
| ▲ | 14   | 74245    | (000000-      | ) Instr.Repair Info              | 1    |

**Fig. 10 - Hydraulic Solenoid Control Valve Breakdown, 1048820**

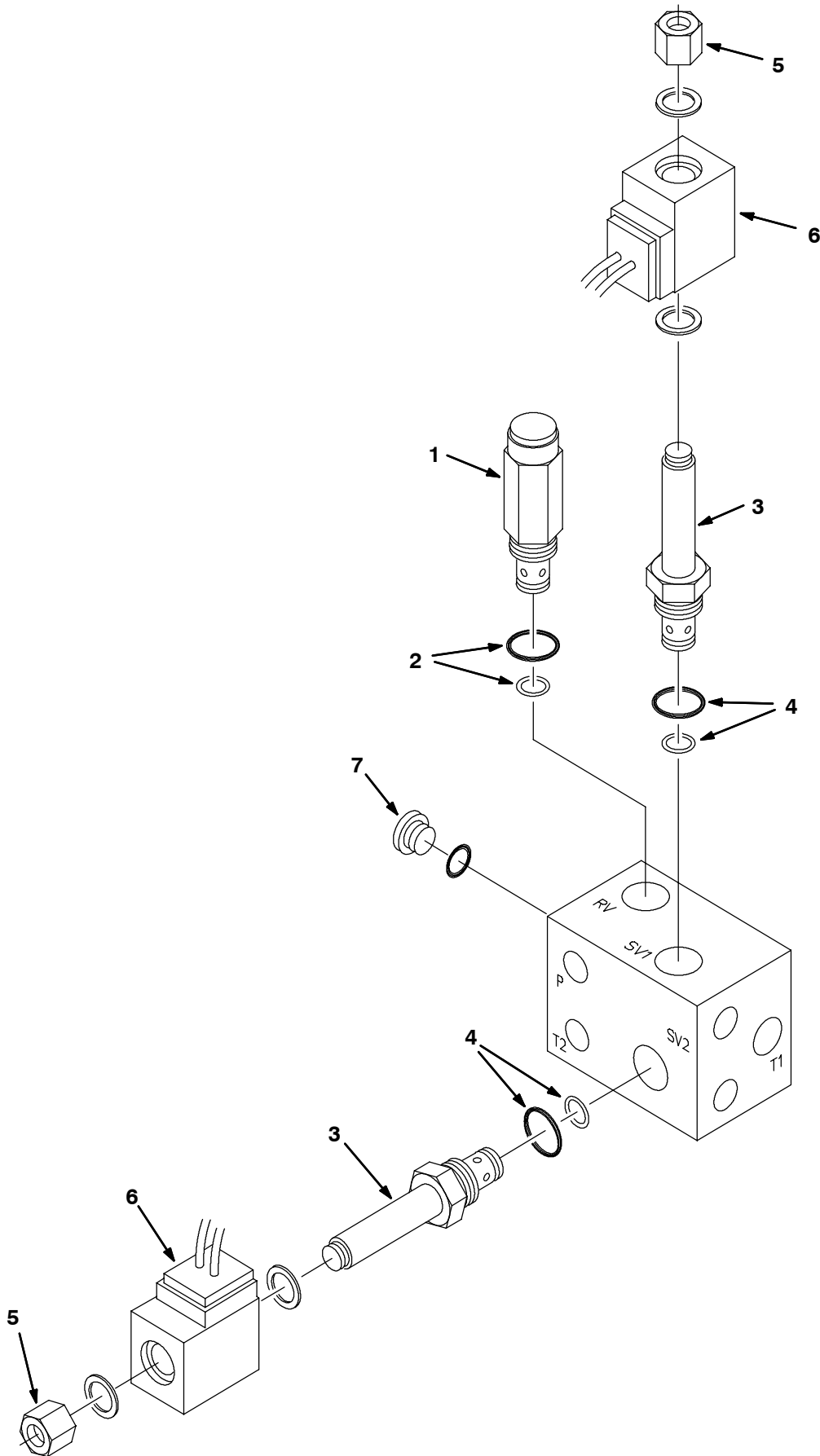


Fig. 10 - Hydraulic Solenoid Control Valve Breakdown, 1048820

|    | Ref. | Part No. | Serial Number | Description                                | Qty. |
|----|------|----------|---------------|--|------|
| ▽  |      | 1048820  | (000000-      | ) Valve, Cntrl, Hyd, Solenoid, 12vdc 06gpm | 1    |
| ▲▽ | 1    | 1050810  | (000000-      | ) Valve, Cartridge, Psi                    | 1    |
| ▲▲ | 2    | 1050780  | (000000-      | ) Seal Kit, Cartridg                       | 1    |
| ▲▽ | 3    | 1050812  | (000000-      | ) Stem, Valve, Hyd                         | 2    |
| ▲▲ | 4    | 1050780  | (000000-      | ) Seal Kit, Cartridge                      | 1    |
| ▲▲ | 5    | 1050811  | (000000-      | ) Nut, Valve, Cartridge                    | 1    |
| ▲  | 6    | 1050809  | (000000-      | ) Solenoid, Valve, Hyd, 36vdc              | 1    |
| ▲  | 7    | 1050813  | (000000-      | ) Fitting, Plug, Org, #6, Valve            | 2    |



## SECTION 5

| Contents  | Page |
|---|------|
| Fig. 1 - Crankcase Group .....  | 5-2  |
| Fig. 2 - Oil Pan Group .....  | 5-4  |
| Fig. 3 - Cylinder Head Group .....  | 5-5  |
| Fig. 4 - Gear Case Group .....  | 5-6  |
| Fig. 5 - Head Cover Group (Old Style)<br><del>(Serial Number 000000-003426)</del> ..... | 5-7  |
| Fig. 6 - Head Cover Group (New Style)<br><del>(Serial Number 003427)</del> .....        | 5-8  |
| Fig. 7 - Dipstick and Guide Group .....   | 5-9  |
| Fig. 8 - Main Bearing Case Group .....  | 5-10 |
| Fig. 9 - Camshaft Group .....   | 5-11 |
| Fig. 10 - Flywheel Group .....  | 5-12 |
| Fig. 11 - Piston and Crankshaft Group .....   | 5-13 |
| Fig. 12 - Fuel Camshaft Group .....   | 5-14 |
| Fig. 13 - Carburetor Group .....  | 5-16 |
| Fig. 14 - Governor Group .....  | 5-18 |
| Fig. 15 - Fork Lever Group .....  | 5-19 |
| Fig. 16 - Speed Control Lever Group .....   | 5-20 |
| Fig. 17 - Spark Plug and Distributor Group ...  | 5-21 |
| Fig. 18 - Distributor Group .....   | 5-22 |
| Fig. 19 - Ignition Coil Group .....   | 5-23 |
| Fig. 20 - Alternator and Pulley Group .....   | 5-24 |
| Fig. 21 - Starter Group .....   | 5-25 |
| Fig. 22 - Water Flange and Thermostat Group   | 5-26 |
| Fig. 23 - Water Pump and Fan Group .....  | 5-27 |
| Fig. 24 - Water Pipe Group .....  | 5-28 |
| Fig. 25 - Valve and Rocker Arm Group .....  | 5-29 |
| Fig. 26 - Exhaust Manifold Group .....  | 5-30 |
| Fig. 27 - Inlet Manifold Group .....  | 5-31 |

Fig. 1 - Crankcase Group

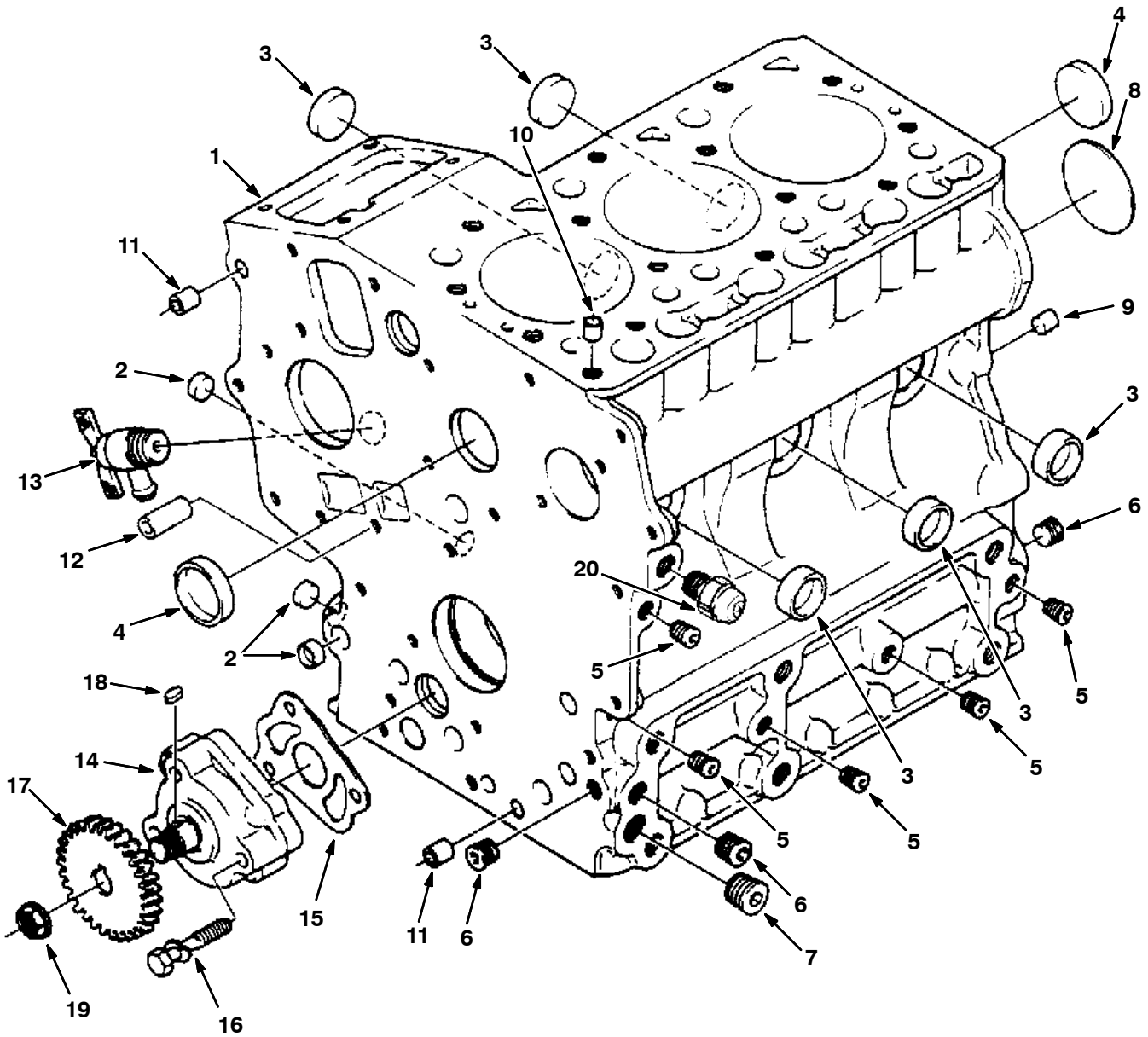
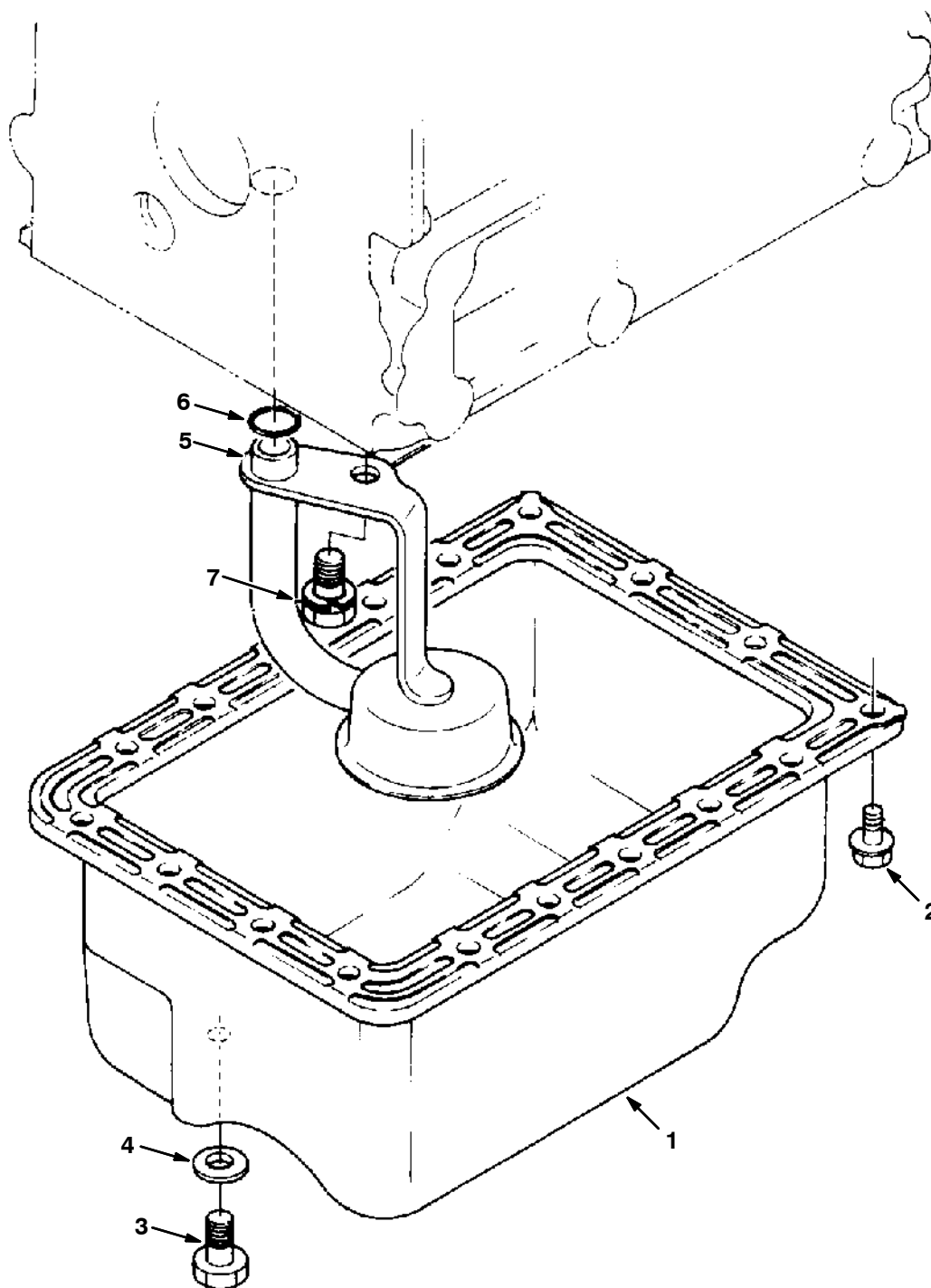




Fig. 1 - Crankcase Group

|   | Ref. | Part No. | Description      | Qty. |
|---|------|----------|------------------|------|
| ▽ | 1    | 361500   | Crankcase Assy   | 1    |
| ▲ | 2    | 361642   | Sealing Cap      | 3    |
| ▲ | 3    | 361643   | Sealing Cap      | 5    |
| ▲ | 4    | 70998    | Cap, Sealing     | 2    |
| ▲ | 5    | 39088    | Plug, Pin        | 5    |
| ▲ | 6    | 39051    | Plug, Pin        | 3    |
| ▲ | 7    | 39052    | Plug             | 1    |
| ▲ | 8    | 51285    | Plug             | 1    |
| ▲ | 9    | 71988    | Pin, Straight    | 2    |
| ▲ | 10   | 39060    | Pin, Pipe        | 1    |
| ▲ | 11   | 361371   | Pin, Pipe        | 2    |
| ▲ | 12   | 361652   | Pipe Pin         | 2    |
|   | 13   | 70888    | Draincock Asy    | 1    |
|   | 14   | 361636   | Oil Pump Assy    | 1    |
|   | 15   | 361612   | Gskt, Oil Pump   | 1    |
|   | 16   | 361586   | Bolt             | 3    |
|   | 17   | 361575   | Drv Gear, Oilpmp | 1    |
|   | 18   | 40203    | Key Feather      | 1    |
|   | 19   | 361449   | Nut, Flange      | 1    |
|   | 20   | 87940    | Oil Switch       | 1    |

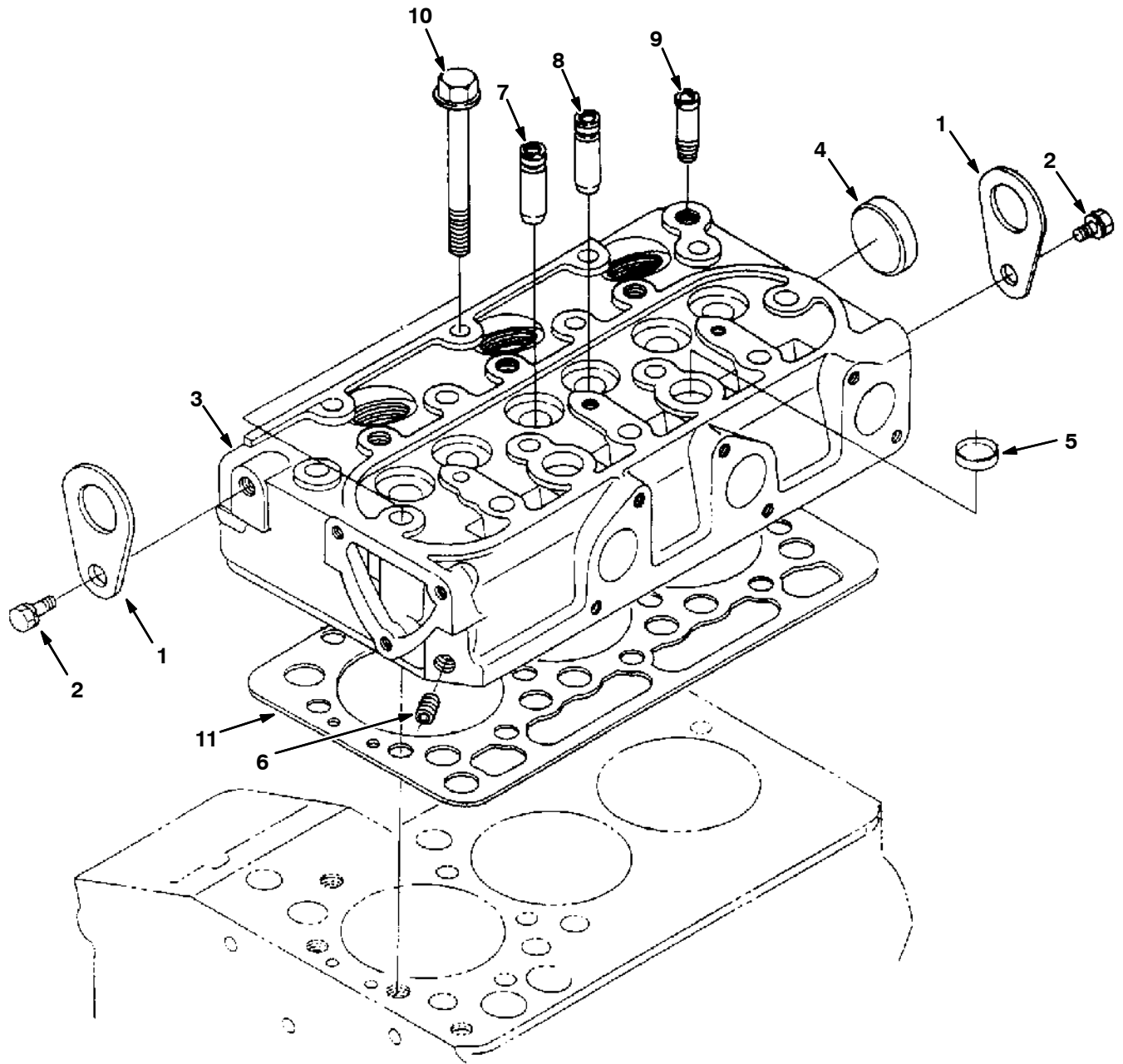
**Fig. 2 - Oil Pan Group**



350229 - G, LP, LIQ

| Ref. | Part No. | Description            | Qty. |
|------|----------|------------------------|------|
| 1    | 361609   | Comp Oil Pan           | 1    |
| 2    | 361362   | Bolt                   | 18   |
| 3    | 361370   | Plug                   | 1    |
| 4    | 361369   | Gasket                 | 1    |
| 5    | 361635   | Tube, Pickup, Oil Sump | 1    |
| 6    | 41792    | O-Ring                 | 1    |
| 7    | 39073    | Bolt                   | 2    |

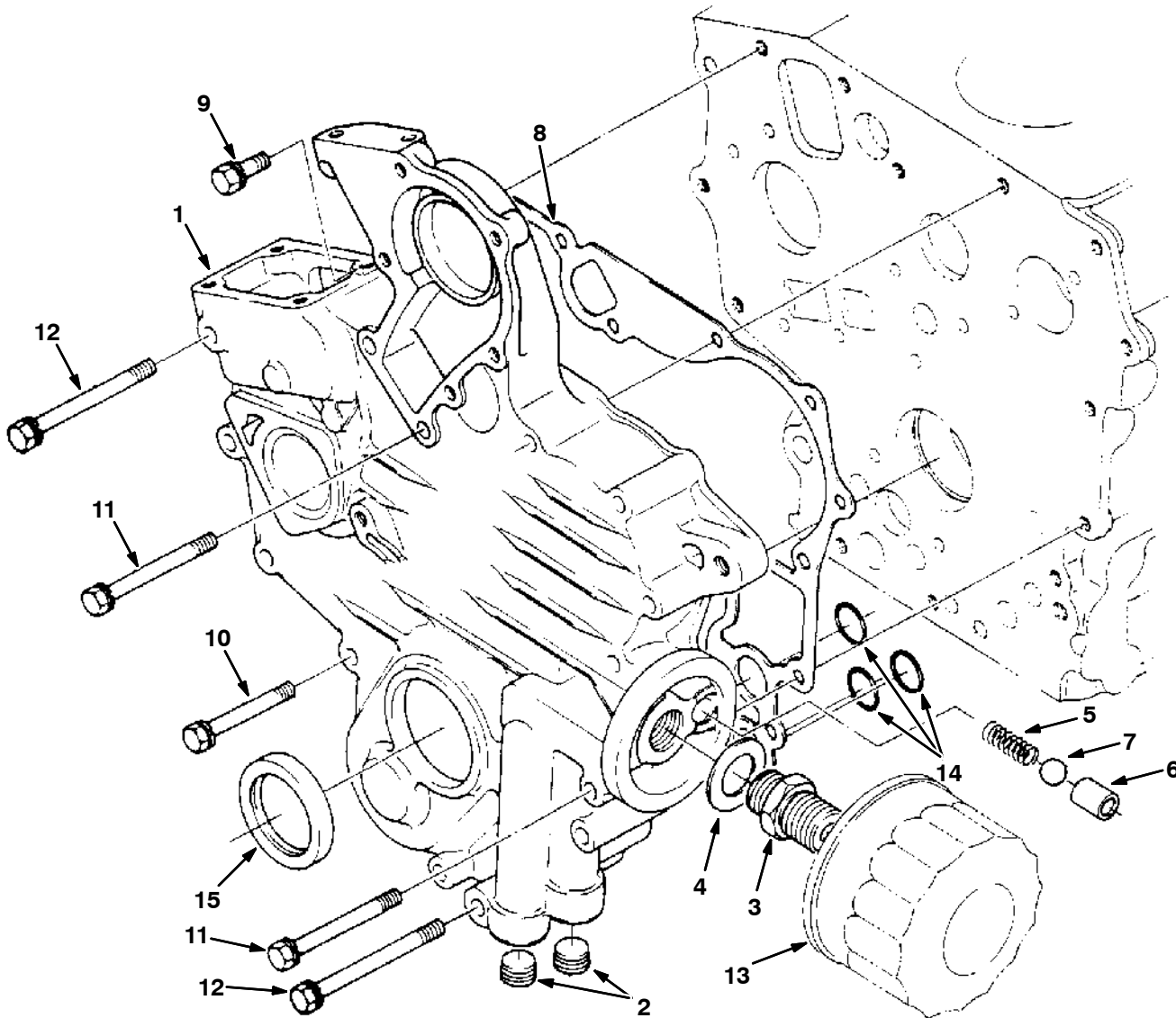
Fig. 3 - Cylinder Head Group



350231 - G, LP, LIQ

| Ref. | Part No. | Description      | Qty. |
|------|----------|------------------|------|
| 1    | 361396   | Engine Hook      | 2    |
| 2    | 39073    | Bolt             | 2    |
| ▽ 3  | 371924   | Head, Cyl        | 1    |
| ▲ 4  | 51331    | Cap              | 1    |
| ▲ 5  | 361372   | Cap, Sealing     | 2    |
| ▲ 6  | 39088    | Plug, Pin        | 1    |
| ▲ 7  | 361564   | Valve Guide, In  | 3    |
| ▲ 8  | 361565   | Valve Guide, Ex  | 3    |
| ▲ 9  | 371930   | Fitting, Plug    | 1    |
| 10   | 361530   | Bolt, Cyl Head   | 14   |
| 11   | 361501   | Gasket, Cyl Head | 1    |

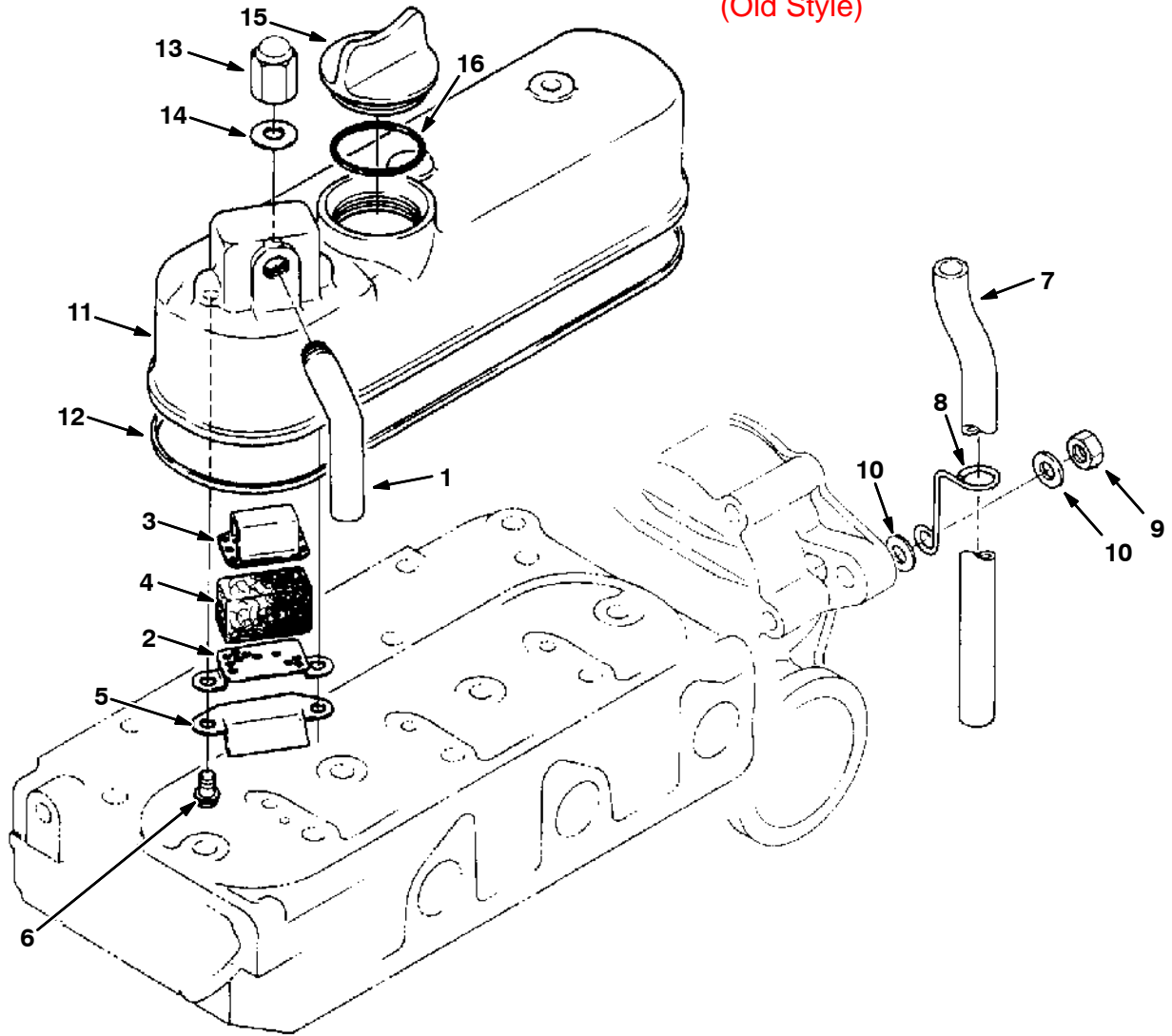
Fig. 4 - Gear Case Group



350233 - G, LP, LIQ

| Ref. | Part No. | Description     | Qty. |
|------|----------|-----------------|------|
| 1    | 361502   | Comp Case,Gear  | 1    |
| 2    | 361641   | Plug            | 2    |
| 3    | 12916    | Joint Pipe      | 1    |
| 4    | 361588   | Plain Washer    | 1    |
| 5    | 361638   | Spring          | 1    |
| 6    | 361576   | Valve Seat      | 1    |
| 7    | 39117    | Ball            | 1    |
| 8    | 361503   | Case,Gear       | 1    |
| 9    | 40409    | Bolt            | 1    |
| 10   | 72994    | Bolt            | 8    |
| 11   | 361585   | Bolt            | 5    |
| 12   | 361441   | Bolt            | 2    |
| 13   | 361594   | Cartrdg,Oil Fil | 1    |
| 14   | 361452   | O-Ring          | 3    |
| 15   | 361621   | Oil Seal        | 1    |

**Fig. 5 - Head Cover Group (~~Serial Number 000000-003426~~)  
(Old Style)**



350235 - G, LP, LIQ

| Ref. | Part No. | Description     | Qty. |
|------|----------|-----------------|------|
| 1    | 361622   | Pipe Joint,Brth | 1    |
| 2    | 361557   | Plate,Brthr Elm | 1    |
| 3    | 361558   | Plate,Brthr Elm | 1    |
| 4    | 361562   | Breather Elemnt | 1    |
| 5    | 361559   | Oil Shield,Brth | 1    |
| 6    | 361650   | Screw           | 2    |
| 7    | 361560   | Pipe,Breather   | 1    |
| 8    | 361561   | Pipe Clamp      | 1    |
| 9    | 20100    | Nut             | 1    |
| 10   | 39148    | Washer, Plain   | 2    |
| 11   | 361645   | Cover,Cyl Head  | 1    |
| 12   | 361646   | Gasket,Hd Cover | 1    |
| 13   | 30135    | Nut, Cap        | 3    |
| 14   | 40166    | Gasket          | 3    |
| 15   | 361657   | Plug            | 1    |
| 16   | 39162    | O-Ring          | 1    |

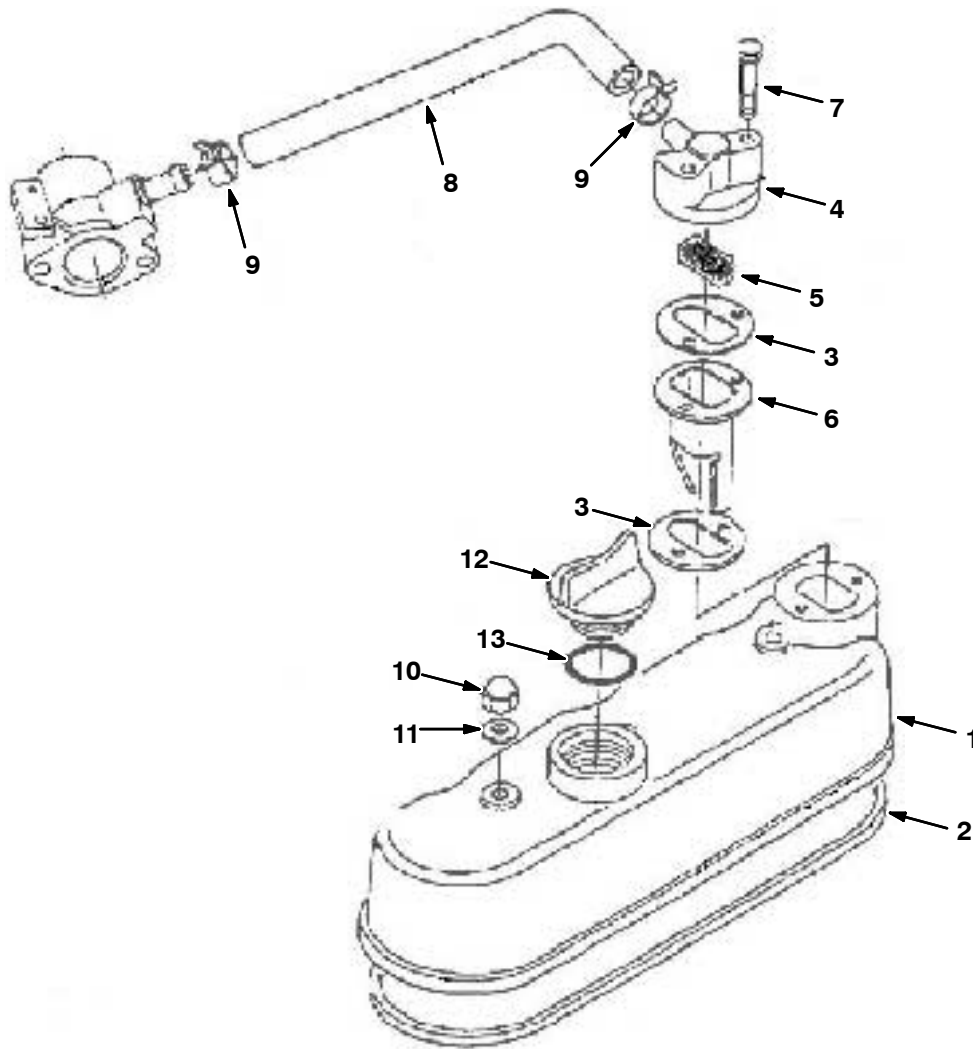
1 Gas Tennant Serial Number (000000-003426)

1 LPG Tennant Serial Number (000000-003415)

~~Machine Serial number (000000-003426)~~

# G/LPG ENGINE BREAKDOWN

Fig. 6 - Head Cover Group (~~Serial Number 003427~~) (New Style)



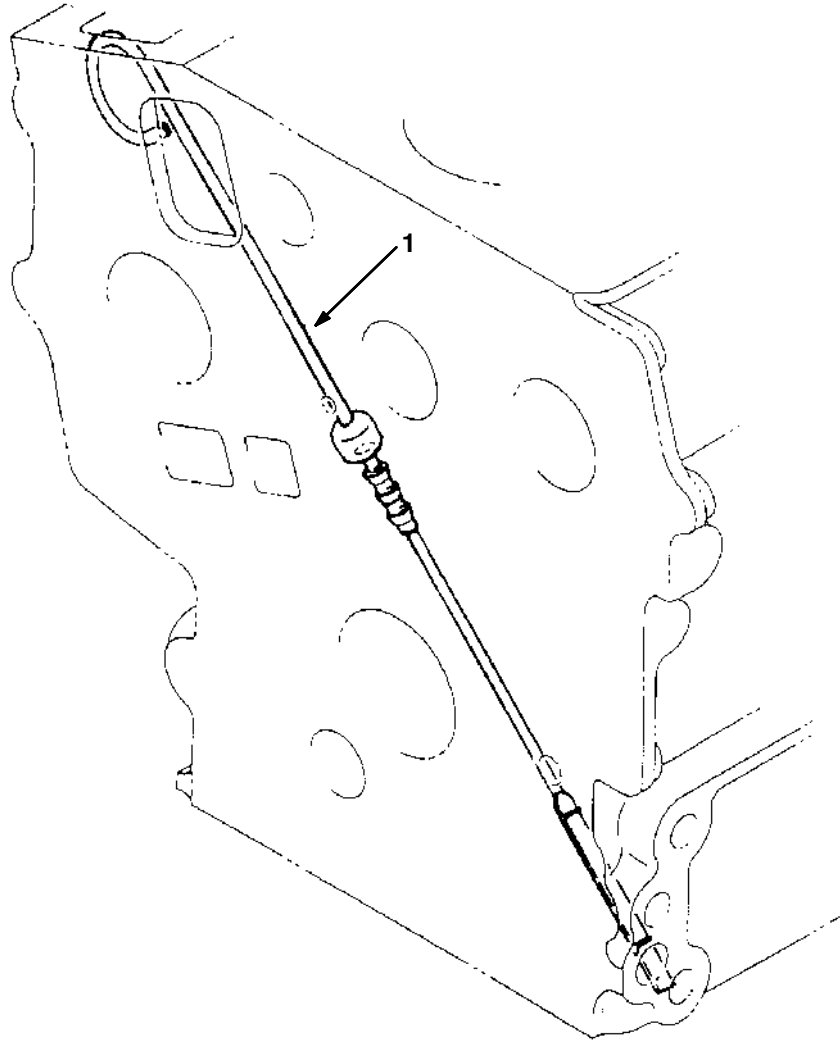
350235 - G, LP, LIQ

| Ref. | Part No. | Description          | Qty. |
|------|----------|----------------------|------|
| 1    | 1035981  | Cover, Valve         | 1    |
| 2    | 361646   | Gasket, Cover, Valve | 1    |
| 3    | 1035983  | Gasket, Breather     | 2    |
| 4    | 1035979  | Plate, Breather      | 1    |
| 5    | 361562   | Element, Breather    | 1    |
| 6    | 1035978  | Plate, Breather      | 1    |
| 7    | 393549   | Bolt                 | 2    |
| 8    | 1035980  | Tube, Breather       | 1    |
| 9    | 73634    | Clamp, Hose, Heater  | 2    |
| 10   | 30135    | Nut, Hex, Cap        | 3    |
| 11   | 40166    | Gasket, F/ Bolt      | 3    |
| 12   | 361374   | Cap, Filler, Oil     | 1    |
| 13   | 39162    | Seal, Org            | 1    |

~~Machine Serial number (003427)~~

1 Gas Tennant Serial Number (003427- )  
 1 LPG Tennant Serial Number (003416- )

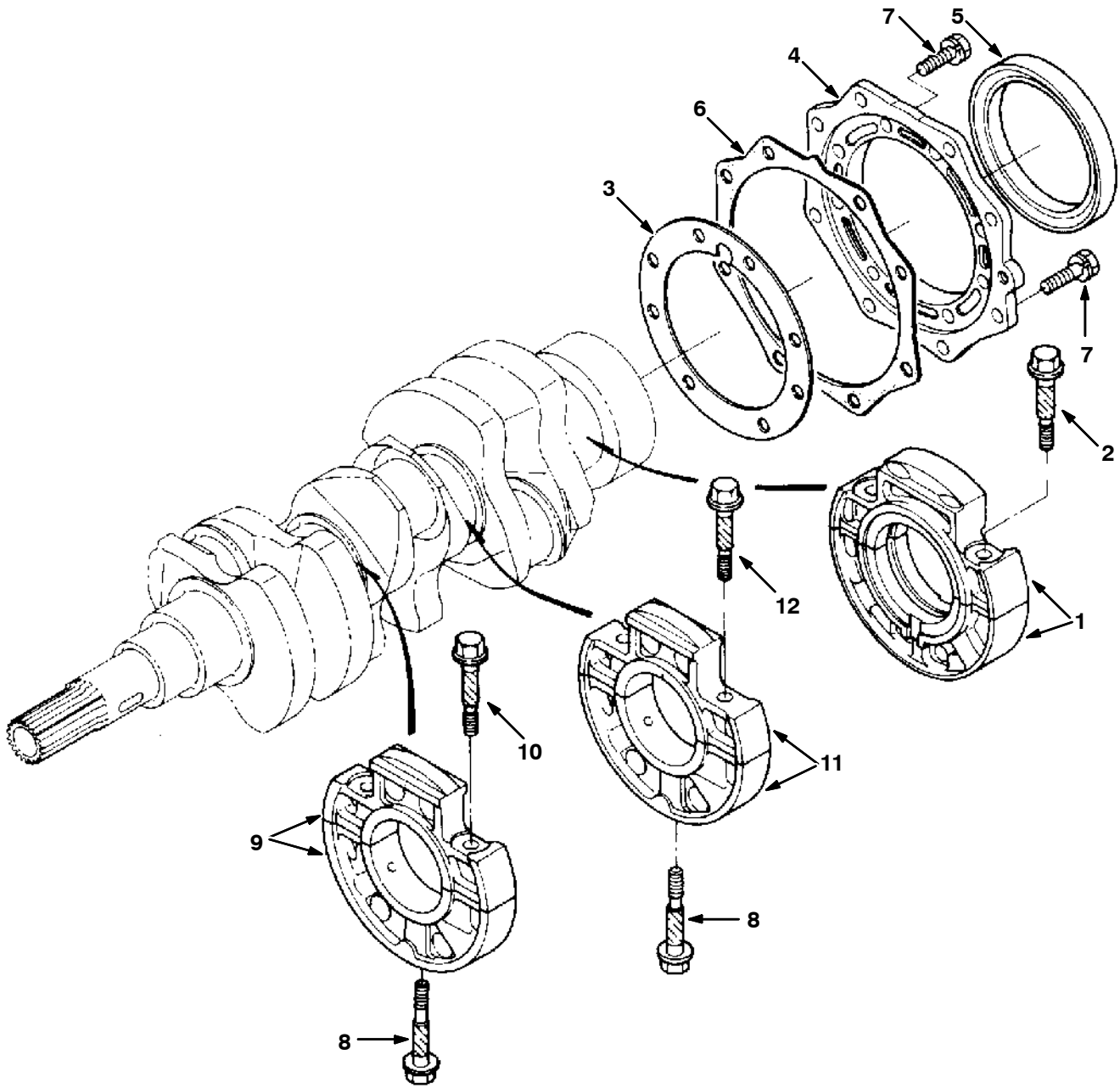
Fig. 7 - Dipstick and Guide Group



350237 - G, LP, LIQ

| Ref. | Part No. | Description | Qty. |
|------|----------|-------------|------|
| 1    | 361637   | Oil Gauge   | 1    |

**Fig. 8 - Main Bearing Case Group**

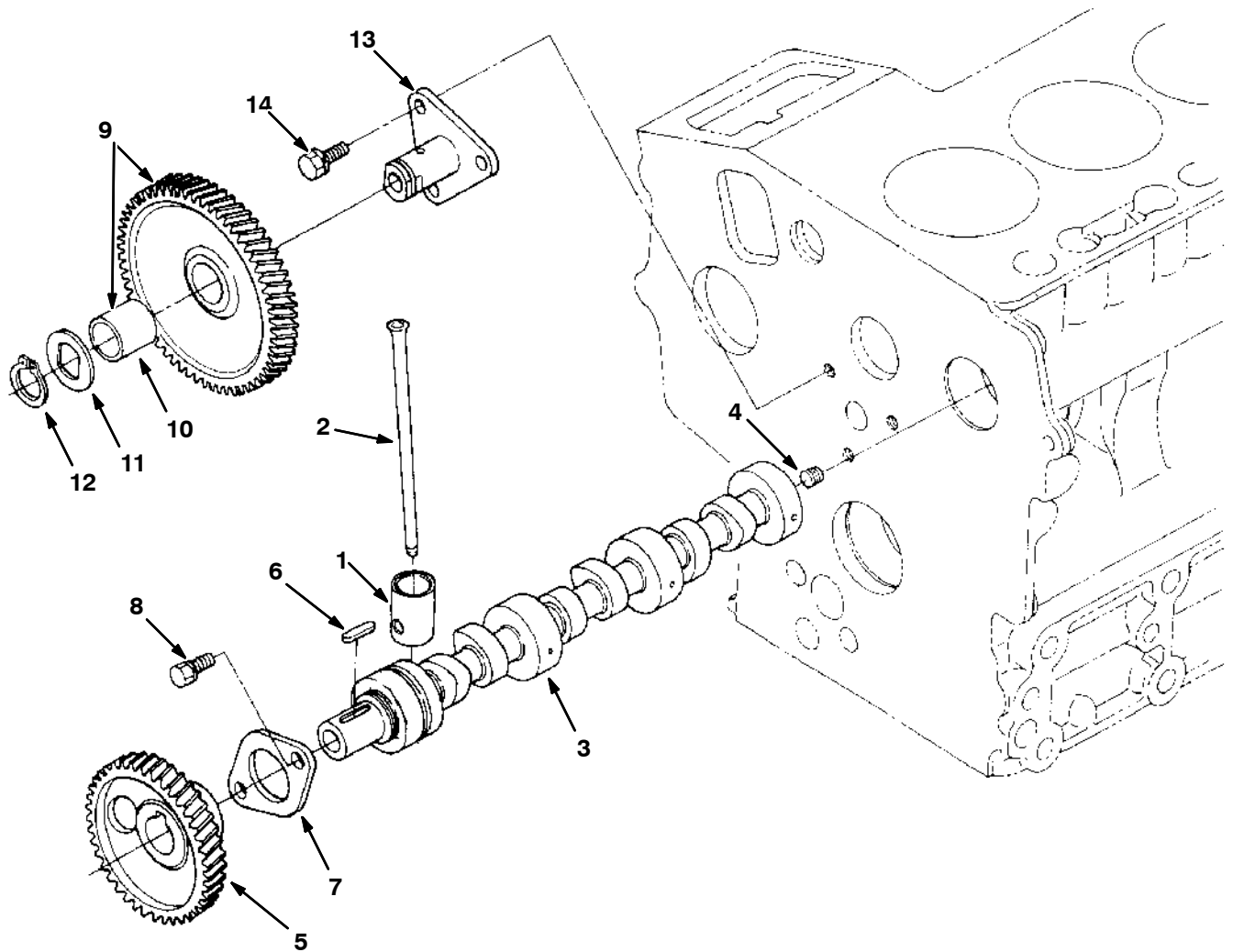


350239 - G, LP, LIQ

| Ref. | Part No. | Description     | Qty. |
|------|----------|-----------------|------|
| 1    | 361381   | Case Assy,Main  | 1    |
| 2    | 361403   | Bolt,Brg Case   | 2    |
| 3    | 361590   | Gasket,Brg Case | 1    |
| 4    | 361556   | Cover,Brg Case  | 1    |
| 5    | 361458   | Seal,Oil        | 1    |
| 6    | 361610   | Gskt,Brg Case   | 1    |
| 7    | 39119    | Bolt            | 16   |
| 8    | 361410   | Bolt,Brg Case   | 2    |
| 9    | 361630   | Case Assy,Main  | 1    |
| 10   | 361403   | Bolt,Brg Case   | 2    |
| 11   | 361644   | Case Assy,Main  | 1    |
| 12   | 361403   | Bolt,Brg Case   | 2    |



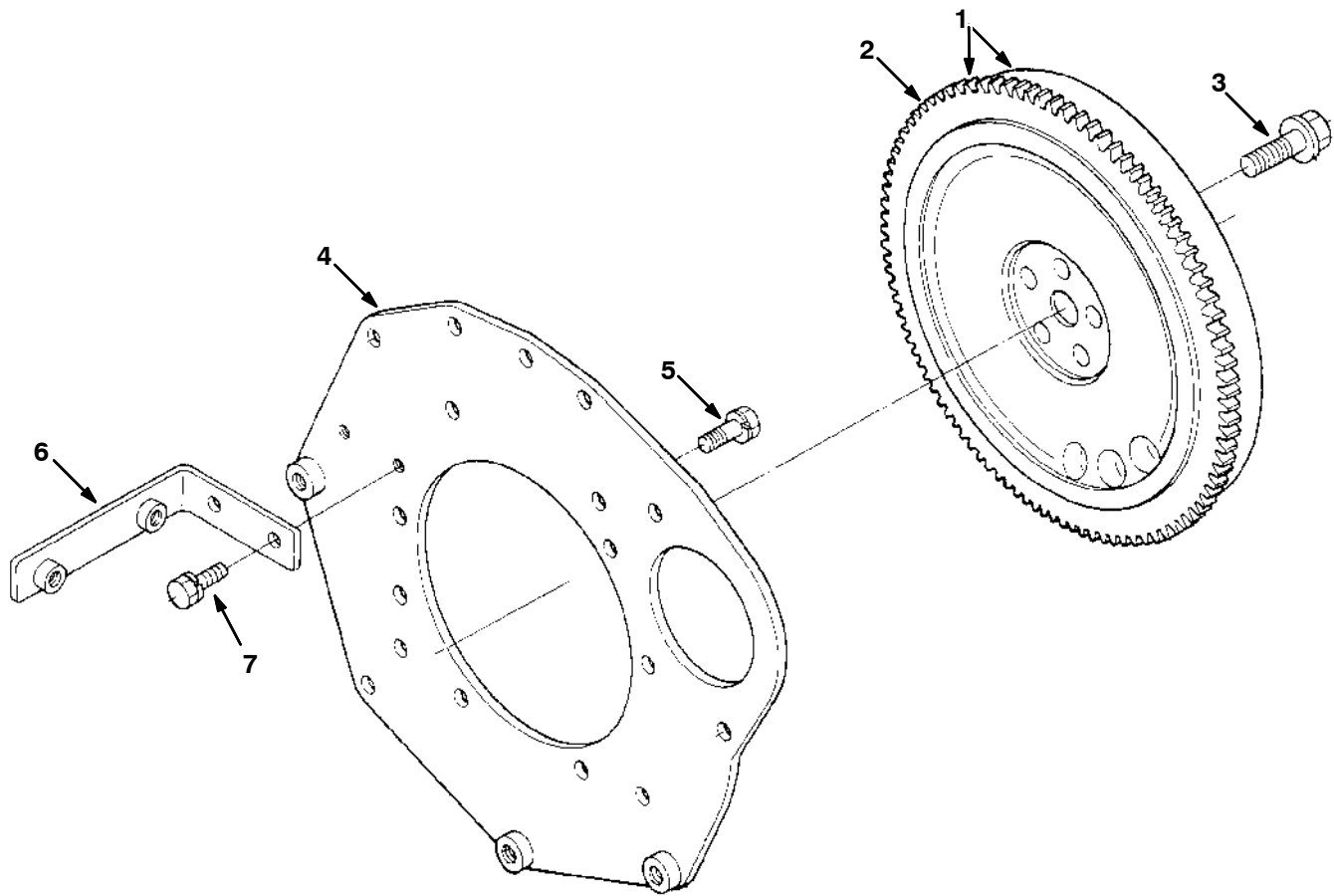
Fig. 9 - Camshaft Group



350241 - G, LP, LIQ

| Ref. | Part No. | Description     | Qty. |
|------|----------|-----------------|------|
| 1    | 361633   | Tappet          | 6    |
| 2    | 361632   | Push Rod        | 6    |
| ▽    | 3        | Camshaft Assy   | 1    |
| ▲    | 4        | Screw, Set      | 1    |
| ▲    | 5        | Gear,Cam        | 1    |
| ▲    | 6        | Keyway          | 1    |
| ▲    | 7        | Stopper,Camshft | 1    |
| 8    | 71995    | Bolt            | 2    |
| ▽    | 9        | Comp Gear,Idle  | 1    |
| ▲    | 10       | Bushing         | 1    |
| 11   | 361620   | Gear Collar,Idl | 1    |
| 12   | 361619   | Snap Ring       | 1    |
| 13   | 361617   | Gear Shaft,Idle | 1    |
| 14   | 39160    | Bolt            | 3    |

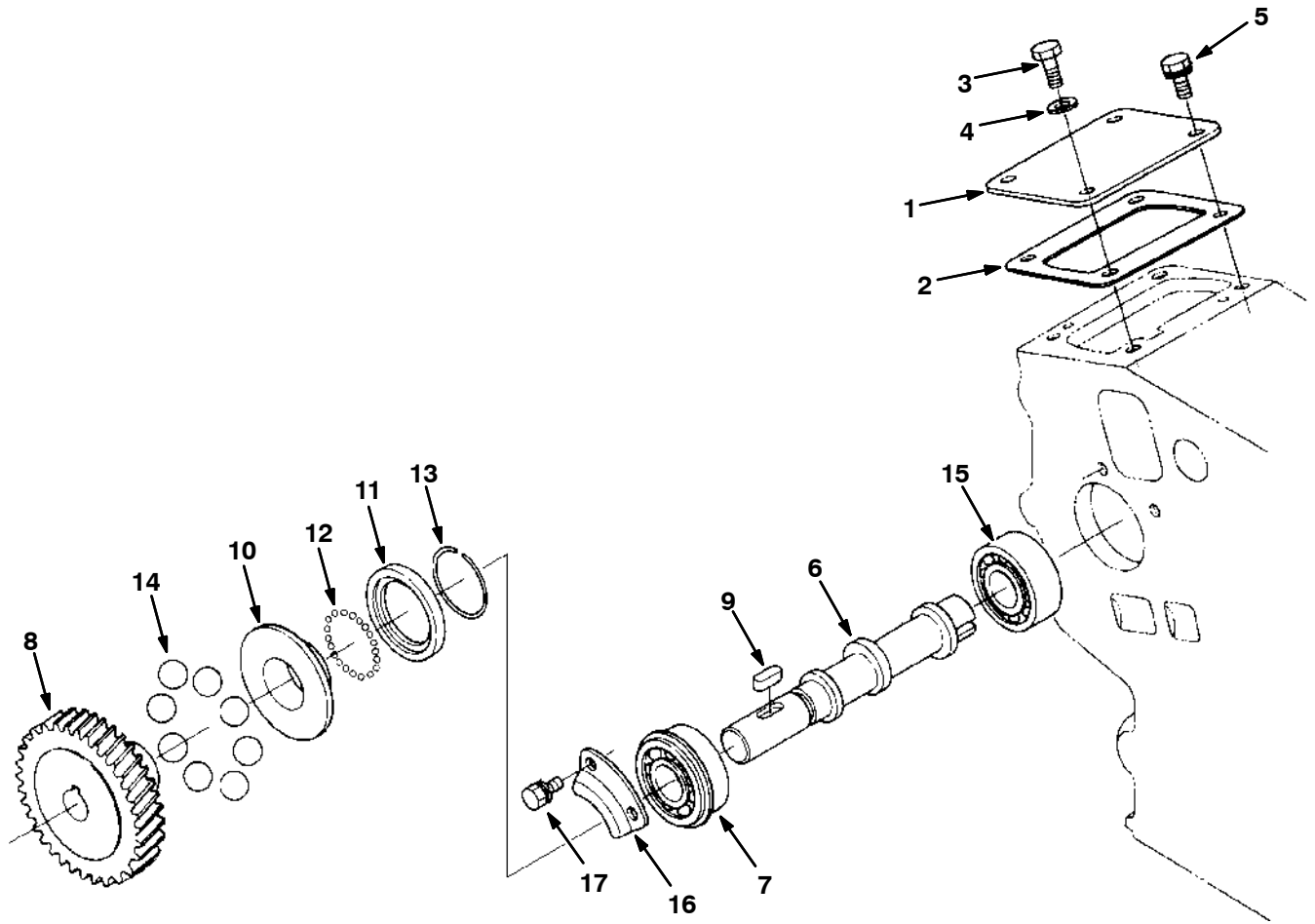
Fig. 10 - Flywheel Group



350245 - G, LP, LIQ

|   | Ref. | Part No. | Description     | Qty. |
|---|------|----------|-----------------|------|
| ▽ | 1    | 361648   | Comp Flywheel   | 1    |
| ▲ | 2    | 361639   | Ring Gear       | 1    |
|   | 3    | 361591   | Bolt, Flywheel  | 5    |
|   | 4    | 361504   | Plate, Rear End | 1    |
|   | 5    | 39094    | Bolt            | 10   |
|   | 6    | 361495   | Support, Cover  | 1    |
|   | 7    | 40409    | Bolt            | 2    |

Fig. 11 - Fuel Camshaft Group



350247 - G, LP, LIQ

| Ref. | Part No. | Description | Qty.             |    |
|------|----------|-------------|------------------|----|
| 1    | 361468   | Cover       | 1                |    |
| 2    | 361527   | Gasket      | 1                |    |
| 3    | 39160    | Bolt        | 1                |    |
| 4    | 40166    | Gasket      | 1                |    |
| 5    | 39160    | Bolt        | 1                |    |
| ▽    | 6        | 361464      | Shaft Assy-Dist  | 1  |
| ▲    | 7        | 10846       | Bearing Ball     | 1  |
| ▲    | 8        | 361577      | Gear, Inj Pump   | 1  |
| ▲    | 9        | 73512       | Keyway           | 1  |
| ▲    | 10       | 361578      | Sleeve, Gov      | 1  |
| ▲    | 11       | 361579      | Ball Case, Gov   | 1  |
| ▲    | 12       | 39633       | Ball             | 32 |
| ▲    | 13       | 361541      | Cir Clip, Govslv | 1  |
| ▲    | 14       | 39117       | Ball             | 8  |
|      | 15       | 39710       | Bearing Ball     | 1  |
|      | 16       | 361570      | Stopper, Fuelc/S | 1  |
|      | 17       | 39160       | Bolt             | 2  |

Fig. 12 - Piston and Crankshaft Group

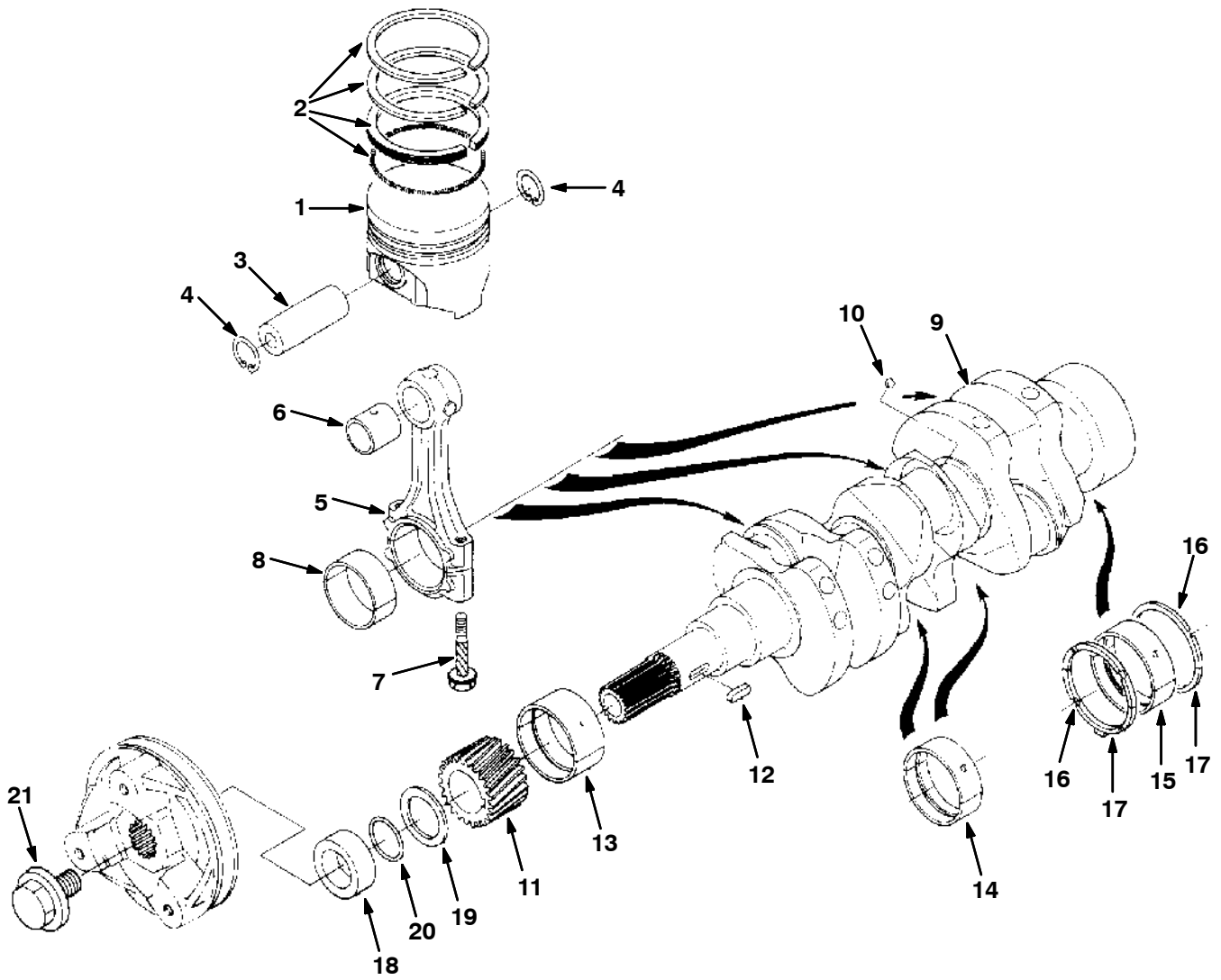


Fig. 12 - Piston and Crankshaft Group

| Ref. | Part No. | Description | Qty.               |   |
|------|----------|-------------|--------------------|---|
|      | 1        | 361507      | Piston             | 3 |
|      | 1        | 361508      | Piston +.5Mm       | 3 |
|      | 2        | 361505      | Piston Ring Assy   | 3 |
|      | 2        | 361506      | Pist Rng Assy+.5   | 3 |
|      | 3        | 361466      | Pin,Piston         | 3 |
|      | 4        | 361538      | Cir Clip,Pstpin    | 6 |
| ▽    | 5        | 361599      | Conn Rod Assy      | 3 |
| ▲    | 6        | 361572      | Bshg,Piston Pin    | 3 |
| ▲    | 7        | 361634      | Bolt,Conn Rod      | 6 |
| ▲    | 8        | 361600      | Metal,Crankpin     | 6 |
| ▲    | 8        | 361601      | Metal,Crkpin-.2    | 6 |
| ▲    | 8        | 361602      | Metal,Crkpin-.4    | 6 |
| ▽    | 9        | 361647      | Comp Crankshaft    | 1 |
| ▲    | 10       | 30111       | Ball               | 3 |
|      | 11       | 361574      | Gear,Crank         | 1 |
|      | 12       | 73512       | Keyway             | 1 |
|      | 13       | 361603      | Metal,Crnkshaft    | 1 |
|      | 13       | 361607      | Metal,Crkshf-.2    | 1 |
|      | 13       | 361608      | Metal,Crkshf-.4    | 1 |
|      | 14       | 361604      | Metal,Crnkshaft    | 4 |
|      | 14       | 361605      | Metal,Crkshf-.2    | 4 |
|      | 14       | 361606      | Metal,Crkshf-.4    | 4 |
|      | 15       | 30057       | Crankshaft Bearing | 2 |
|      | 15       | 361547      | Metal,Crnksh-.2    | 2 |
|      | 15       | 361548      | Metal,Crnksh-.4    | 2 |
|      | 16       | 51020       | Bearing Metal Side | 2 |
|      | 16       | 361539      | Metal,Side+.2Mm    | 2 |
|      | 16       | 361540      | Metal,Side+.4Mm    | 2 |
|      | 17       | 51194       | Washer             | 2 |
|      | 17       | 51276       | Bearing            | 2 |
|      | 17       | 51277       | Metal Side         | 2 |
|      | 18       | 361573      | Collar,Crnkshft    | 1 |
|      | 19       | 361624      | Oil Slinger        | 1 |
|      | 20       | 361453      | O-Ring             | 1 |
|      | 21       | 361628      | Bolt               | 1 |

**Fig. 13 - Carburetor Group**

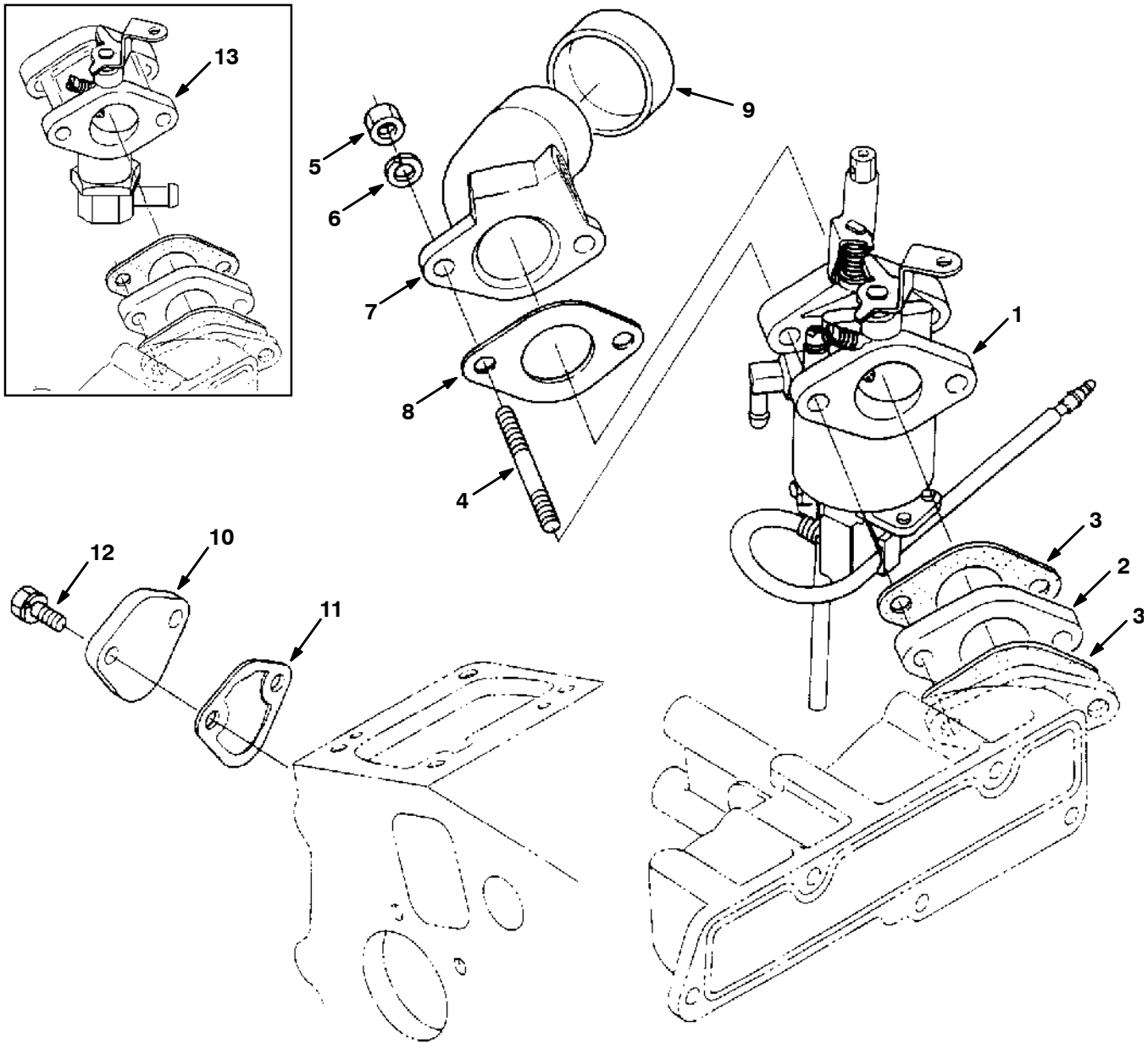
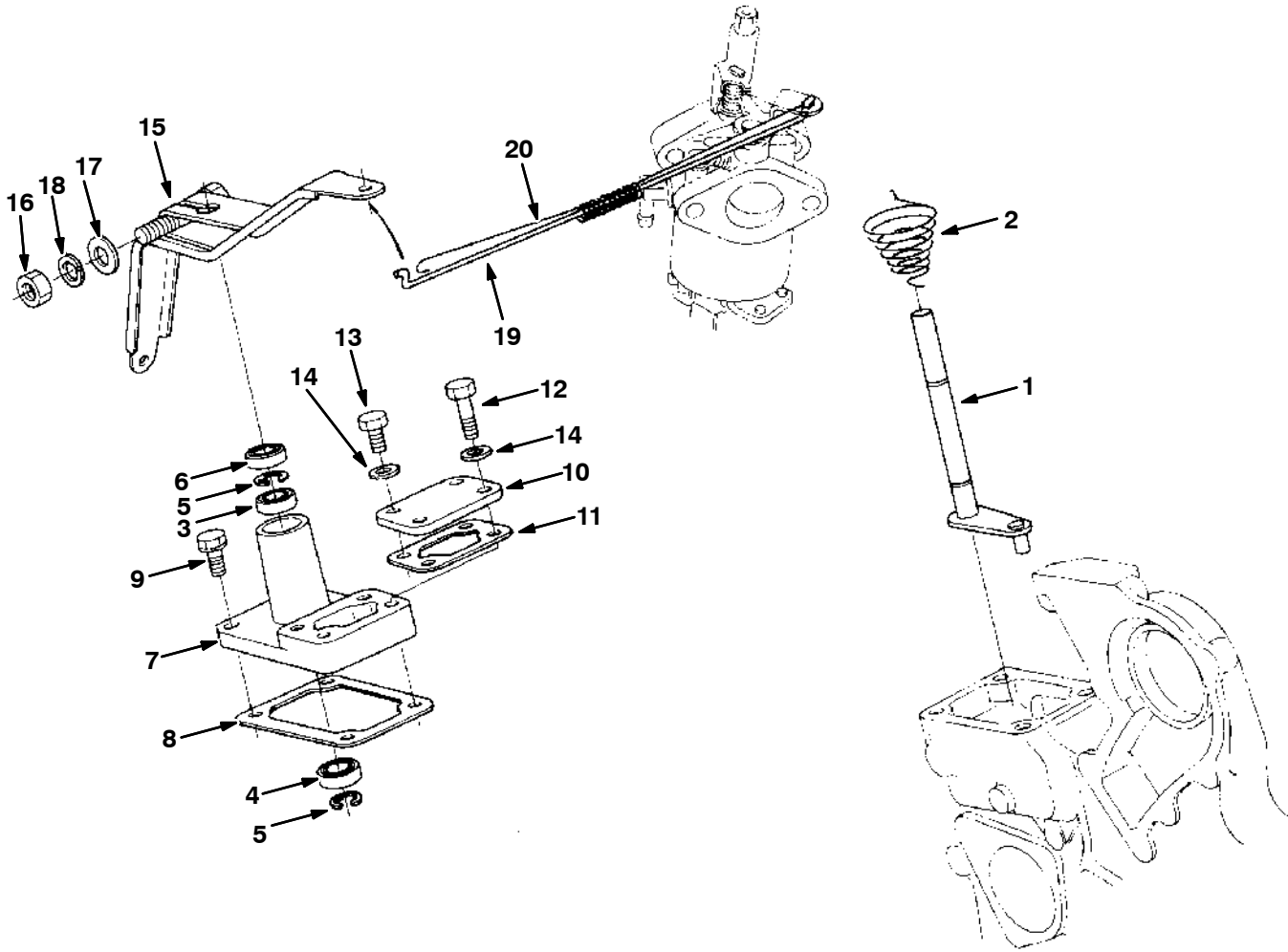


Fig. 13 - Carburetor Group

| Ref. | Part No. |   | Description         | Qty. |
|------|----------|---|---------------------|------|
| 1    | 361509   | ① | Carb Assy (Gas)     | 1    |
| 1    | 375055   | ② | Carb Assy (Gas)     | 1    |
| 1    | 371922   | ③ | Carb Assy (Gas&LPG) | 1    |
| 2    | 361498   |   | Flange, Carb        | 1    |
| 3    | 361455   |   | Gasket, Carb        | 2    |
| 4    | 361446   | ① | Stud                | 2    |
| 4    | 375056   | ⑤ | Stud                | 2    |
| 5    | 20100    |   | Nut                 | 2    |
| 6    | 39097    | ① | Washer              | 2    |
| 6    | 375057   | ⑤ | Washer              | 2    |
| 7    | 361459   | ① | Flange, Air Cln     | 1    |
| 7    | 375058   | ⑤ | Flange, Air Cln     | 1    |
| 8    | 361529   |   | Gskt, Air Clean     | 1    |
| 9    | 361467   |   | Cap                 | 1    |
| 10   | 73565    |   | Fuel Pu. Cvr Pl     | 1    |
| 11   | 70974    | ① | Gskt, Fuel Pump     | 1    |
| 11   | 375059   | ⑤ | Gskt, Fuel Pump     | 1    |
| 12   | 41973    |   | Bolt                | 2    |
| 13   | 366063   | ④ | Carb Assy (LPG)     | 1    |

- ① Tennant Serial Number (000000- 001839)
- ② Tennant Serial Number (001840- 003415)
- ③ Tennant Serial Number (003416- )
- ④ Tennant Serial Number (000000- 003415)
- ⑤ Tennant Serial Number (001840- )

Fig. 14 - Governor Group

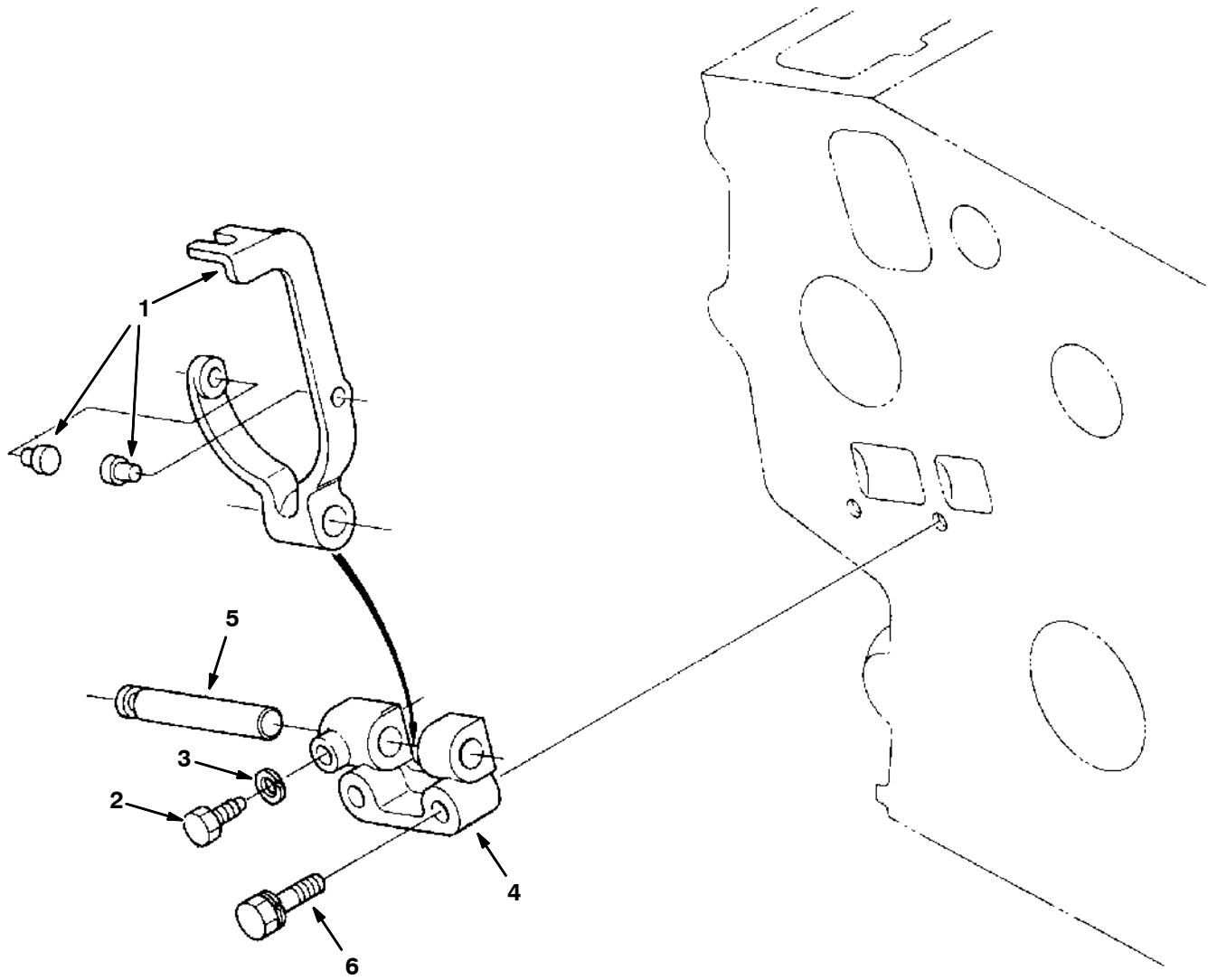


350249 - G, LP, LIQ

| Ref. | Part No. | Description      | Qty. |
|------|----------|------------------|------|
| 1    | 361476   | Comp Lever, Gov  | 1    |
| 2    | 361473   | Spring, Gov Lvr  | 1    |
| 3    | 361469   | Bearing          | 1    |
| 4    | 361470   | Bearing          | 1    |
| 5    | 361471   | Cir-Clip         | 2    |
| 6    | 361472   | Seal, Oil        | 1    |
| 7    | 361479   | Supt, Gov L Shft | 1    |
| 8    | 361581   | Gasket           | 1    |
| 9    | 40409    | Bolt             | 2    |
| 10   | 361480   | Cover            | 1    |
| 11   | 361481   | Gasket           | 1    |
| 12   | 361442   | Bolt             | 2    |
| 13   | 39160    | Bolt             | 2    |
| 14   | 40166    | Gasket           | 4    |
| 15   | 361478   | Lever, Gov       | 1    |
| 16   | 20100    | Nut              | 1    |
| 17   | 39148    | Washer, Plain    | 1    |
| 18   | 39097    | Washer           | 1    |
| 19   | 361482   | Rod, Gov Joint   | 1    |
| 20   | 361483   | Spring           | 1    |



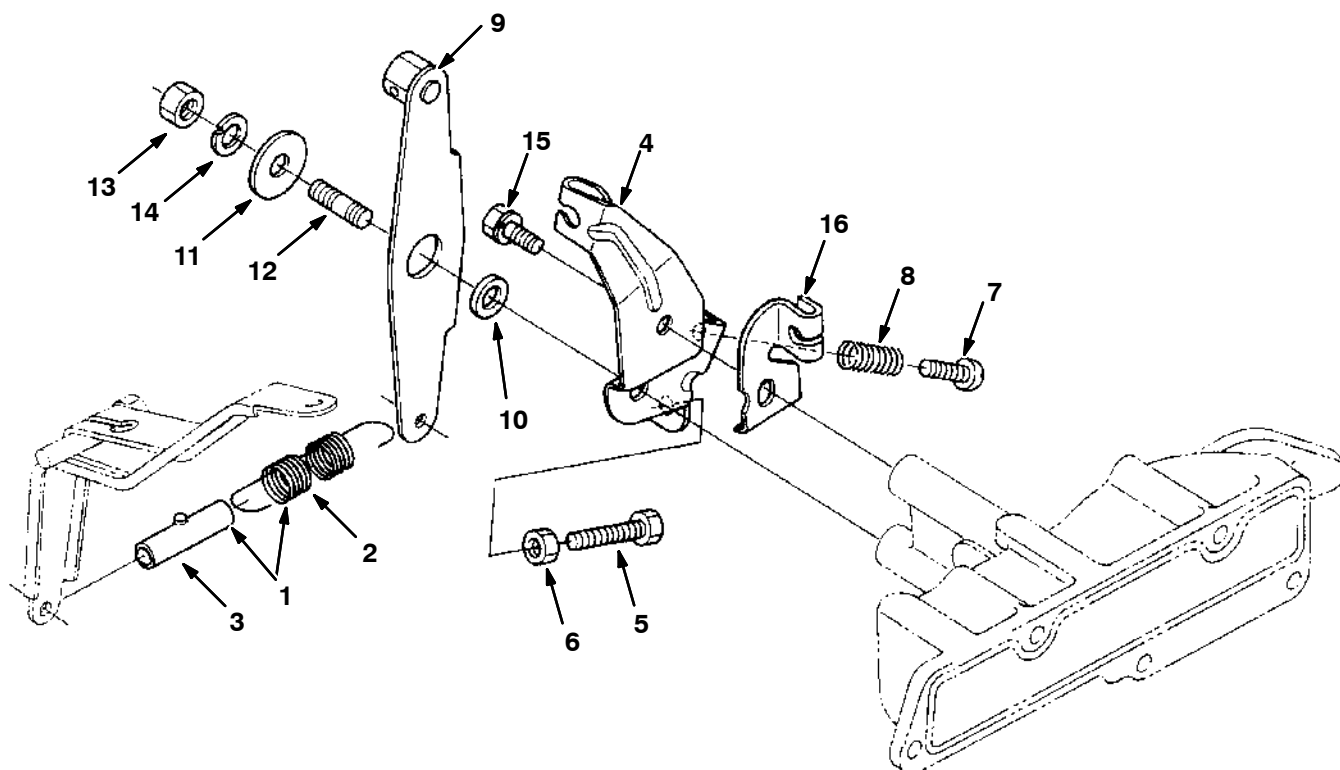
Fig. 15 - Fork Lever Group



350253 - G, LP, LIQ

| Ref. | Part No. | Description       | Qty. |
|------|----------|-------------------|------|
| ▽ 1  | 361475   | Lever, Assy, Fork | 1    |
| ▲ 2  | 361542   | Bolt              | 1    |
| ▲ 3  | 361451   | Washer, Spring    | 1    |
| ▲ 4  | 361580   | Holder, Fork Lev  | 1    |
| ▲ 5  | 361477   | Shaft, Fork Levr  | 1    |
| 6    | 72996    | Bolt              | 2    |

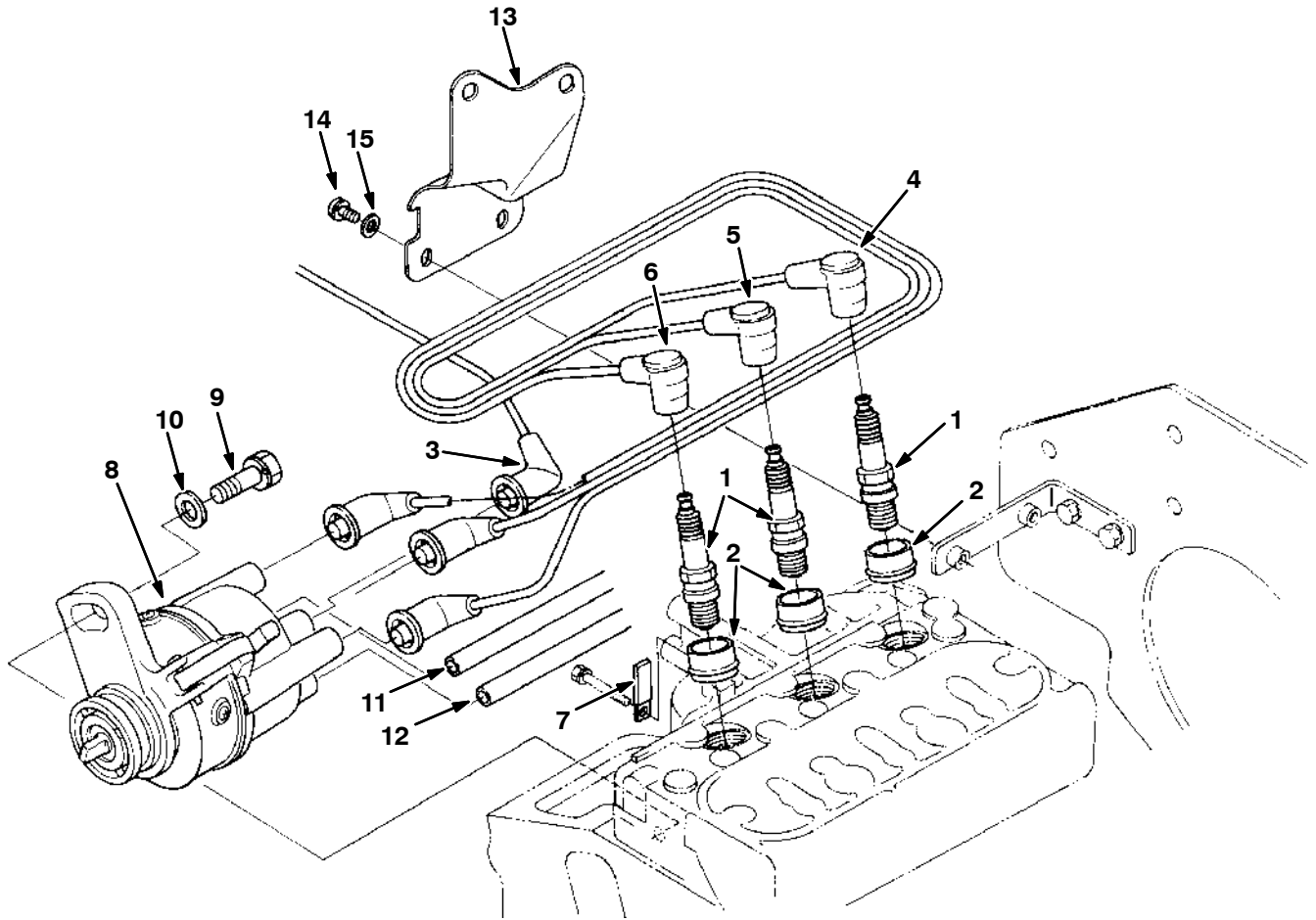
Fig. 16 - Speed Control Lever Group



350255 - G, LP, LIQ

| Ref. | Part No. | Description | Qty.             |   |
|------|----------|-------------|------------------|---|
| ▽    | 1        | 361510      | Spring Assy, Gov | 1 |
| ▲    | 2        | 361511      | Spring, Gov      | 1 |
| ▲    | 3        | 361512      | Cushion          | 1 |
| ▽    | 4        | 361484      | Plate Asy, Cntrl | 1 |
| ▲    | 5        | 361456      | Screw            | 1 |
| ▲    | 6        | 39121       | Nut              | 1 |
| ▲    | 7        | 361457      | Screw            | 1 |
| ▲    | 8        | 361528      | Spring           | 1 |
|      | 9        | 361485      | Comp LSp-Cnt     | 1 |
|      | 10       | 361486      | Collar           | 1 |
|      | 11       | 361658      | Washer, Plain    | 1 |
|      | 12       | 39512       | Stud             | 1 |
|      | 13       | 20100       | Nut              | 1 |
|      | 14       | 39097       | Washer           | 1 |
|      | 15       | 39160       | Bolt             | 1 |
|      | 16       | 361499      | Stay, Choke      | 1 |

Fig. 17 - Spark Plug and Distributor Group



350257 - G, LP, LIQ

| Ref.         | Part No.           | Description                              | Qty. |
|--------------|--------------------|--|------|
| 1            | 361230             | Spark Plug                               | 3    |
| 2            | 361487             | Cap, Spark Plug                          | 3    |
| 3            | 361513             | <del>X</del> Cord Assy, Centr            | 1    |
| <del>4</del> | <del>9006178</del> | <del>2</del> Wire, Sparkplug, #1 [Df752] | 1    |
| 4            | 361514             | 1 Cord, Plug 1                           | 1    |
| <del>5</del> | <del>9006179</del> | <del>2</del> Wire, Sparkplug, #2 [Df752] | 1    |
| 5            | 361515             | 1 Cord, Plug 2                           | 1    |
| <del>6</del> | <del>9006180</del> | <del>2</del> Wire, Sparkplug, #3 [Df752] | 1    |
| 6            | 361516             | 1 Cord, Plug 3                           | 1    |
| 7            | 361543             | Clamp, Cord                              | 1    |
| 8            | 361493             | 1 Distr Assy, Air                        | 1    |
| 9            | 39128              | Bolt                                     | 1    |
| 10           | 39148              | Washer, Plain                            | 1    |
| 11           | 361494             | Pipe                                     | 1    |
| 12           | 361497             | Pipe                                     | 1    |
| 13           | 361517             | Cover                                    | 1    |
| 14           | 73482              | Screw W/Washer                           | 4    |
| 15           | 361450             | Washer, Plain                            | 4    |
| 8            | 371923             | 2 Dist Assembly (see Breakdown) .....    | 1    |

~~1~~ LPG Tennant Serial Number (000000-003415)

~~2~~ LPG Tennant Serial Number (003416- )

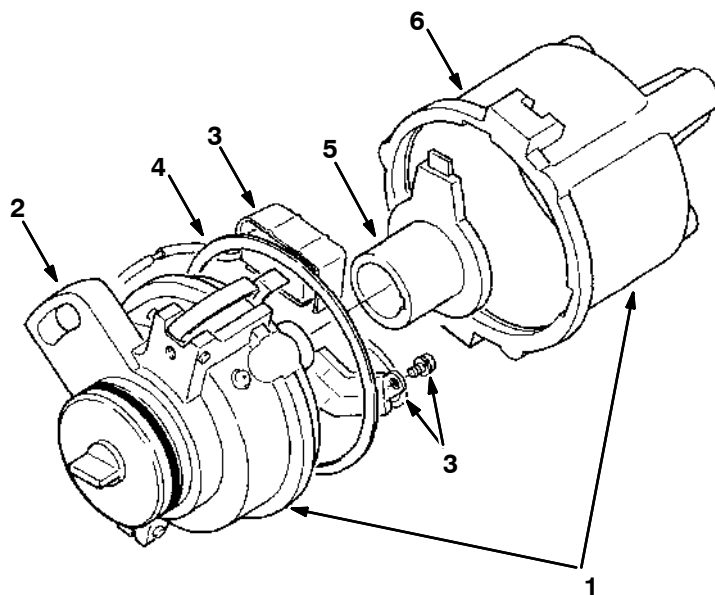
1 Gas Tennant Serial Number (000000-003426)

1 LPG Tennant Serial Number (000000-003415)

2 Gas Tennant Serial Number (003427- )

2 LPG Tennant Serial Number (003416- )

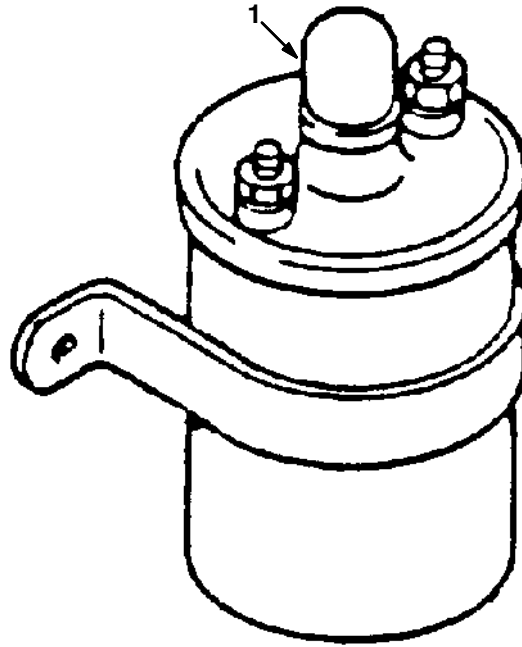
**Fig. 18 - Distributor Group**



350259 - G, LP, LIQ

|   | <b>Ref.</b> | <b>Part No.</b> | <b>Description</b> | <b>Qty.</b> |
|---|-------------|-----------------|--------------------|-------------|
| ▽ | 1           | 371923          | Distr Assy,Air     | 1           |
| ▲ | 2           | 361488          | Housing            | 1           |
| ▲ | 3           | 361489          | Igniter Assy       | 1           |
| ▲ | 4           | 361490          | Gasket             | 1           |
| ▲ | 5           | 361491          | Rotor Assy         | 1           |
| ▲ | 6           | 361492          | Cap Assy           | 1           |

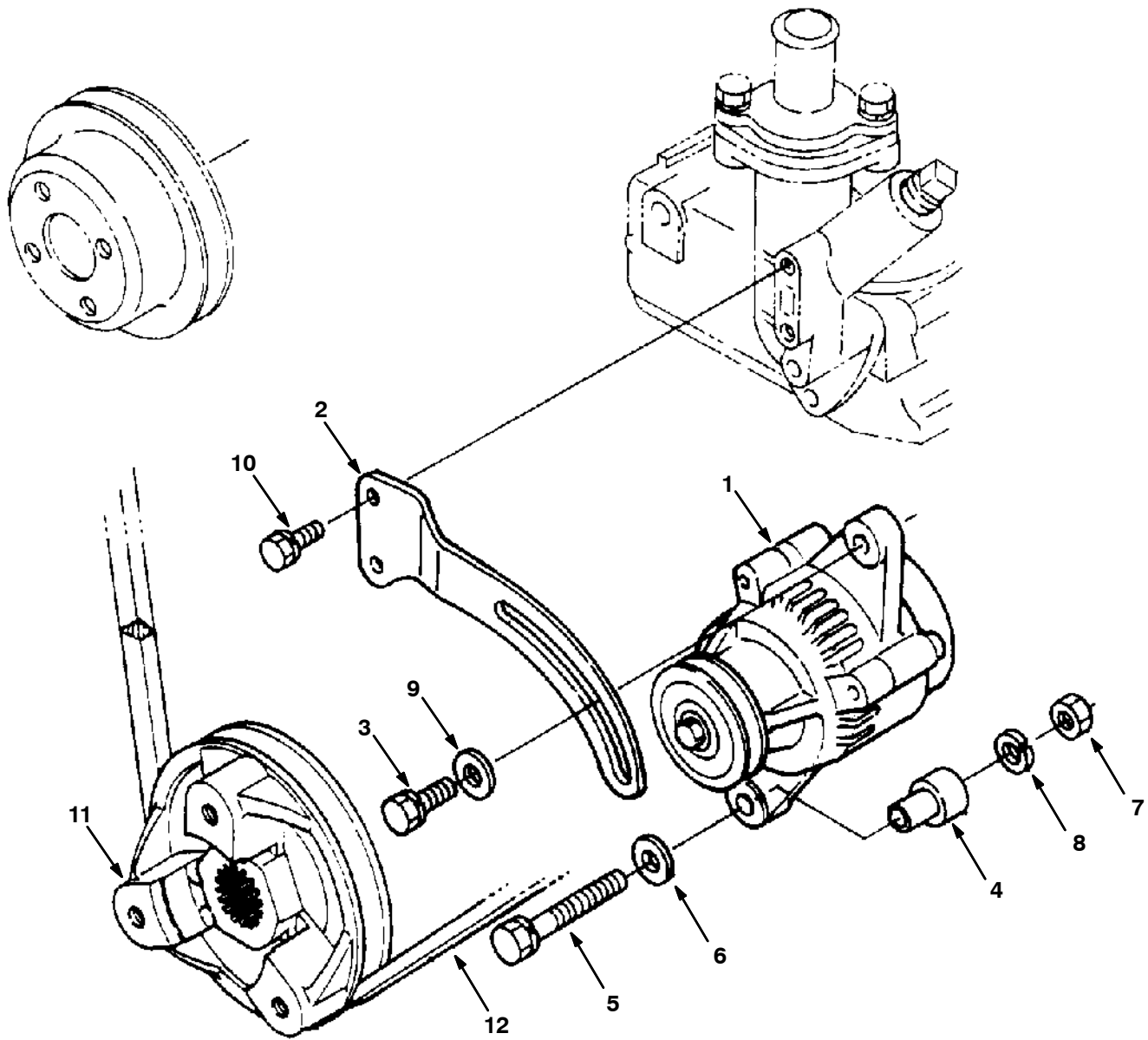
Fig. 19 - Ignition Coil Group



350261 - G, LP, LIQ

| Ref. | Part No. | Description    | Qty. |
|------|----------|----------------|------|
| 1    | 361496   | Coil, Ignition | 1    |

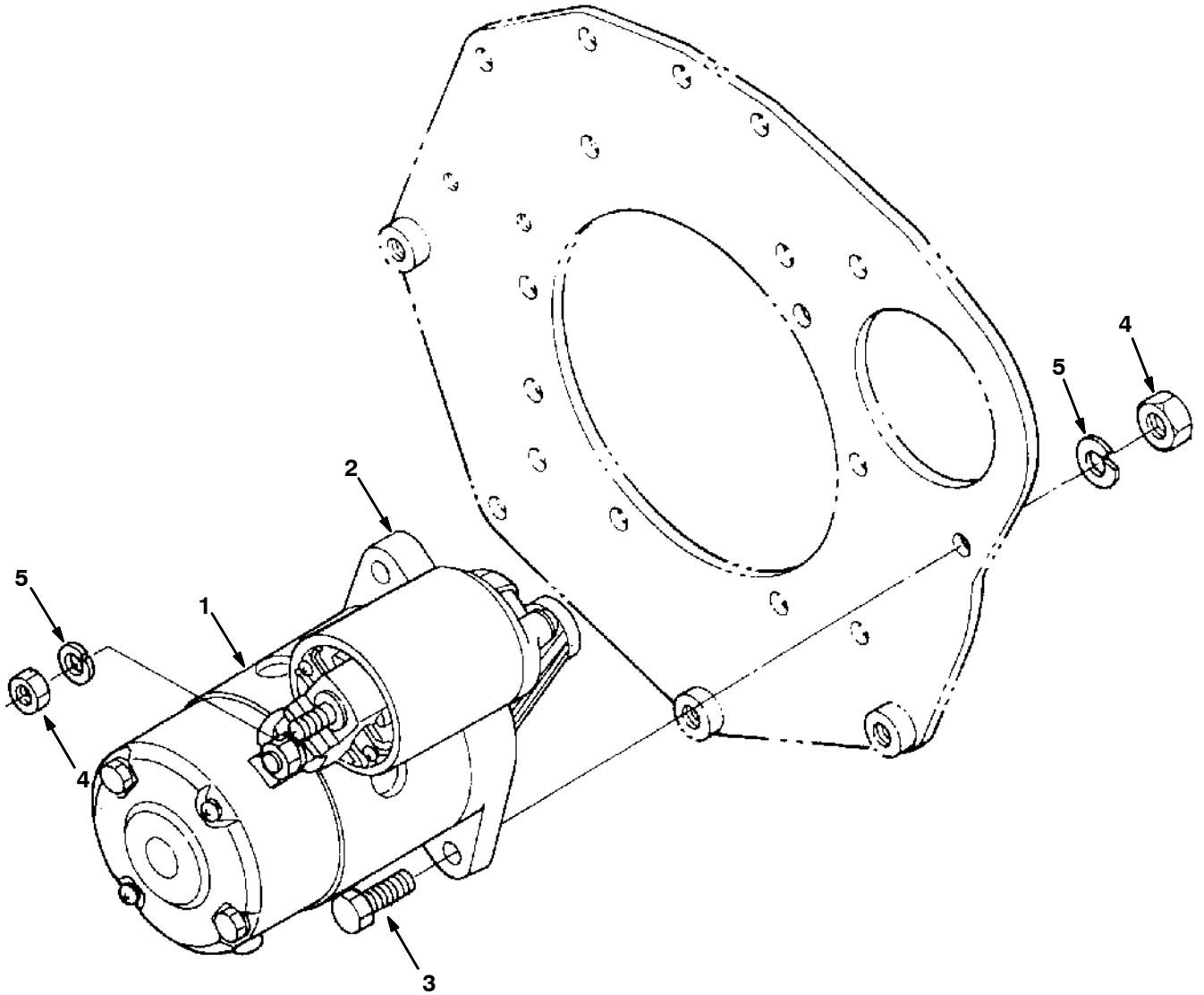
**Fig. 20 - Alternator and Pulley Group**



350263 - G, LP, LIQ

| Ref. | Part No. | Description        | Qty. |
|------|----------|--------------------|------|
| 1    | 361544   | Alternator         | 1    |
| 2    | 361615   | Alternator Bracket | 1    |
| 3    | 39128    | Bolt               | 1    |
| 4    | 393605   | Collar             | 1    |
| 5    | 39107    | Bolt               | 1    |
| 6    | 39148    | Washer, Plain      | 2    |
| 7    | 20100    | Nut                | 1    |
| 8    | 39097    | Washer             | 1    |
| 9    | 361658   | Washer, Plain      | 1    |
| 10   | 41973    | Bolt               | 2    |
| 11   | 361649   | Pulley, Fan Driv   | 1    |
| 12   | 375047   | V-Belt             | 1    |
|      | 361655   | Coupler Assy       | 1    |

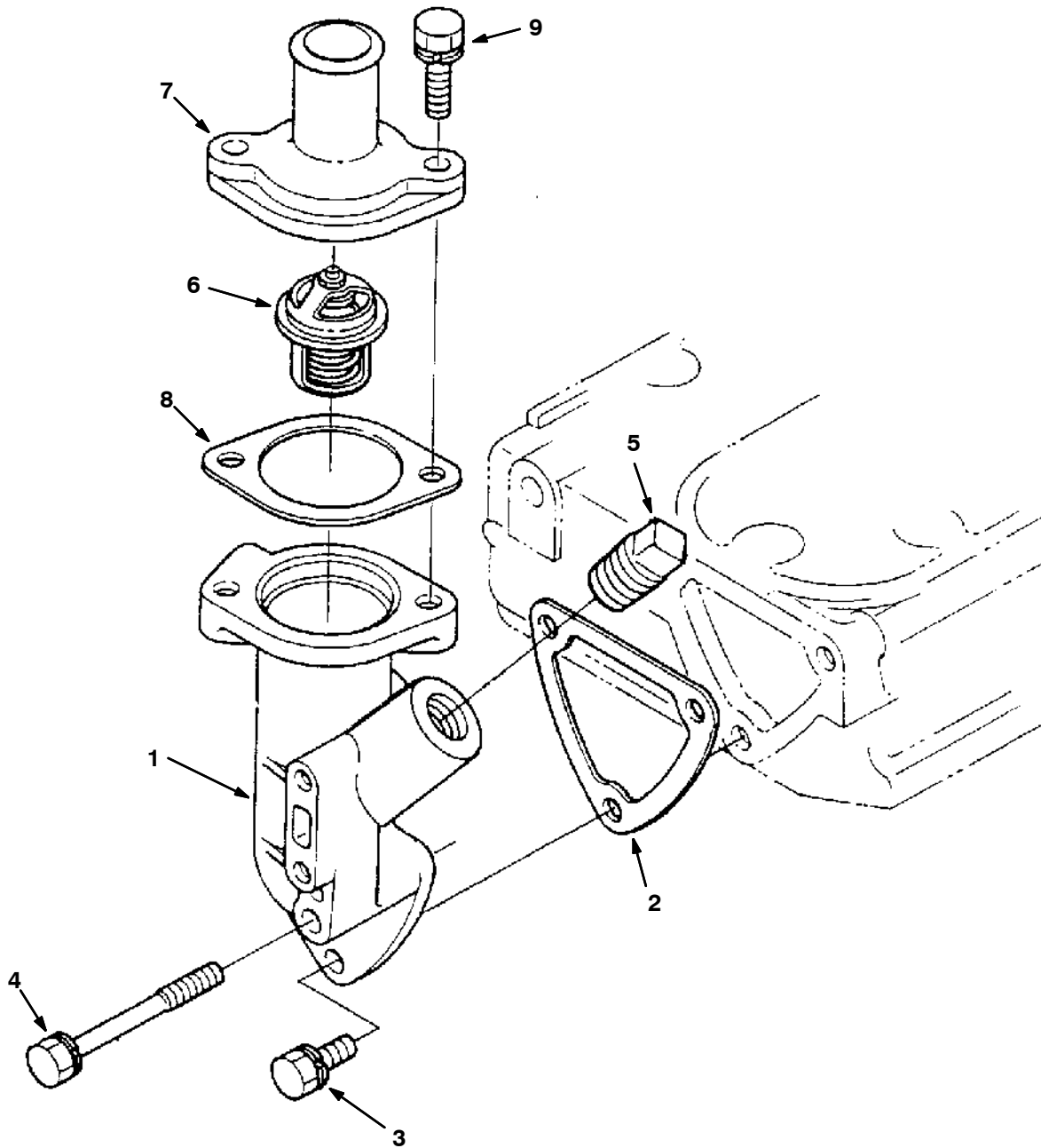
**Fig. 21 - Starter Group**



350265 - G, LP, LIQ

| Ref. | Part No. | Description      | Qty. |
|------|----------|------------------|------|
| ▽ 1  | 361592   | Starter Assy     | 1    |
| ▲ 2  | 361593   | Switch, Magnetic | 1    |
| 3    | 361443   | Bolt             | 2    |
| 4    | 20100    | Nut              | 2    |
| 5    | 39097    | Washer           | 4    |

**Fig. 22 - Water Flange and Thermostat Group**

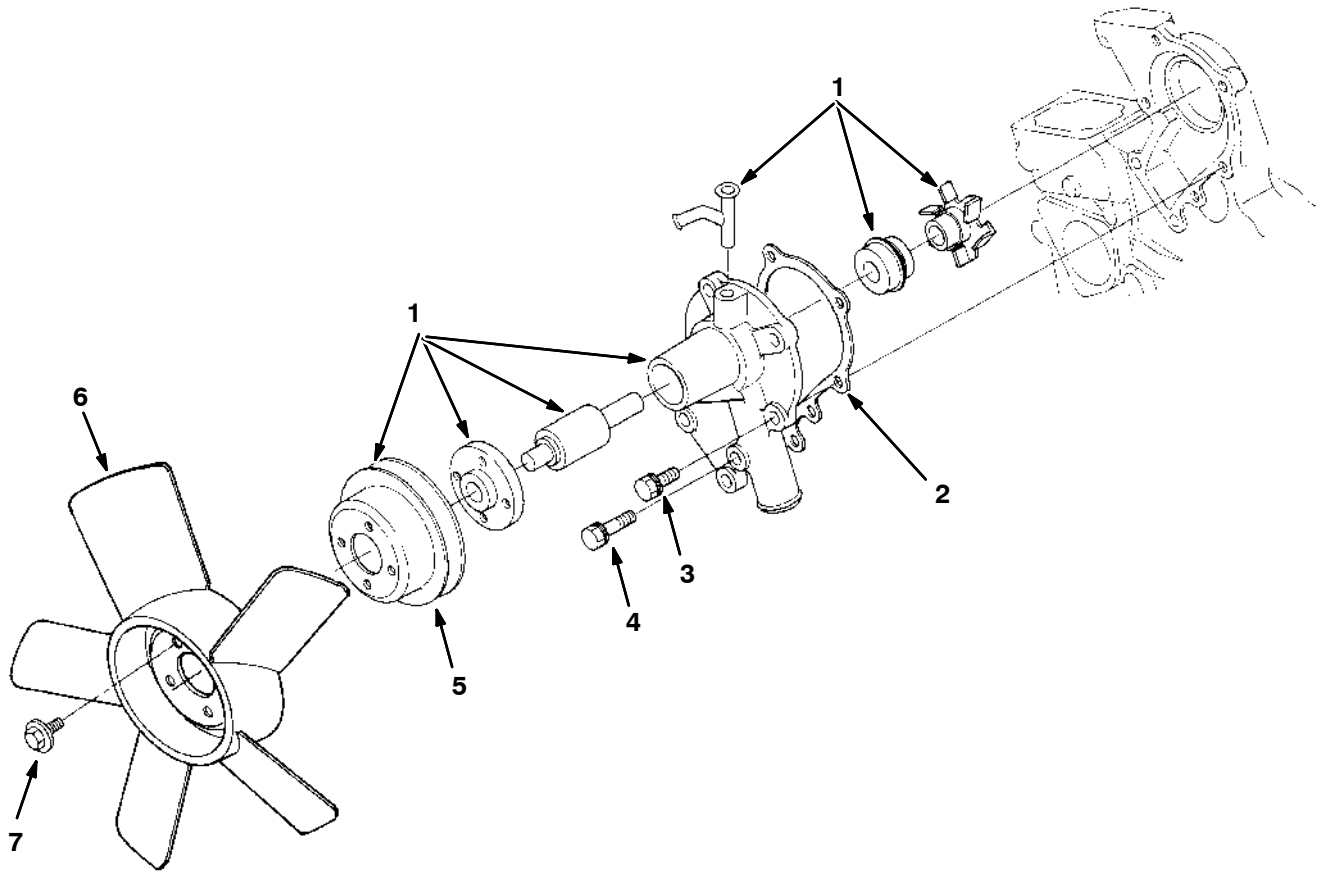


350267 - G, LP, LIQ

| Ref. | Part No. | Description                   | Qty. |
|------|----------|-------------------------------|------|
| 1    | 371928   | Flange,Water                  | 1    |
| 2    | 361614   | Gskt,Water Flng               | 1    |
| 3    | 41973    | Bolt                          | 2    |
| 4    | 361627   | Bolt                          | 1    |
| 5    | 73632    | Plug                          | 1    |
| 6    | 361654   | Thermostat, 160deg, 1.7d [Ku] | 1    |
| 6    | 71456    | Thermostat, 180deg, 1.5d [Ku] | 1    |
| 6    | 70995    | Thermostat, 160deg, 1.5d [Ku] | 1    |
| 7    | 361583   | Cover,Thermost                | 1    |
| 8    | 368092   | Gasket                        | 1    |
| 9    | 39119    | Bolt                          | 2    |



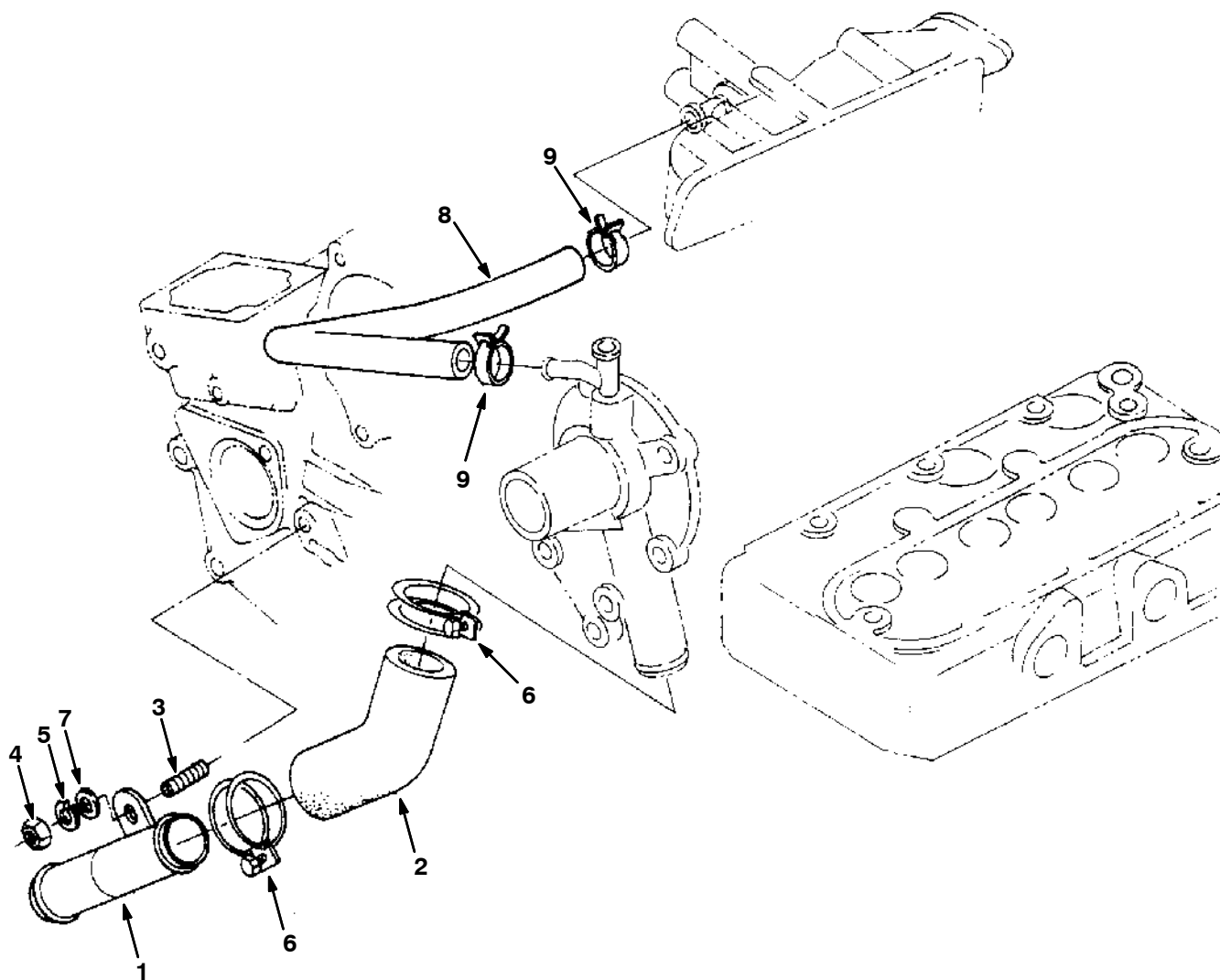
**Fig. 23 - Water Pump and Fan Group**



350269 - G, LP, LIQ

| Ref. | Part No. | Description     | Qty. |
|------|----------|-----------------|------|
| 1    | 371927   | Pump Assy,Water | 1    |
| 2    | 361656   | Gskt,Water Pump | 1    |
| 3    | 39119    | Bolt            | 4    |
| 4    | 72996    | Bolt            | 1    |
| 5    | 361584   | Pulley,Fan      | 1    |
| 6    | 361626   | Fan             | 1    |
| 7    | 361362   | Bolt            | 4    |

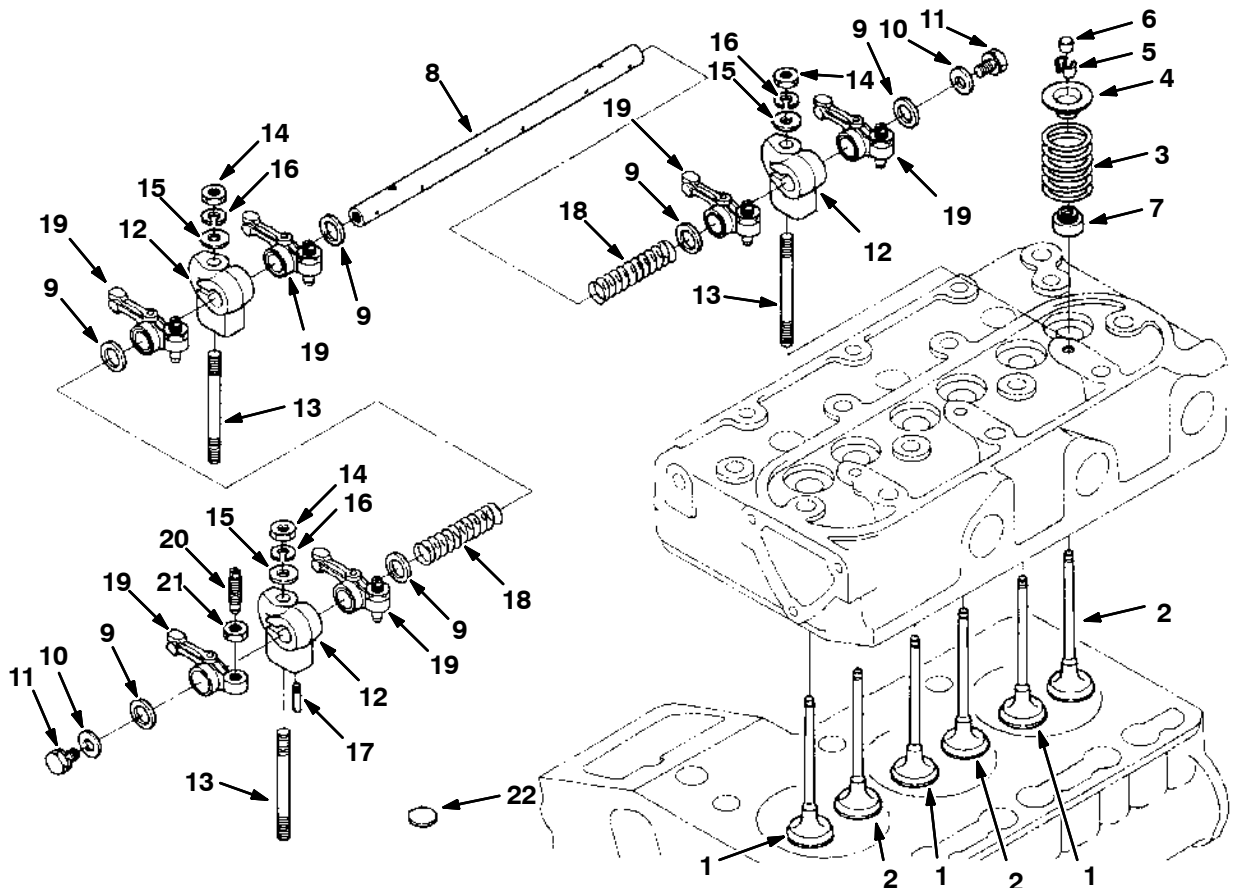
## Fig. 24 - Water Pipe Group



350271 - G, LP, LIQ

| Ref. | Part No. | Description      | Qty. |
|------|----------|------------------|------|
| 1    | 361582   | Water Pipe       | 1    |
| 2    | 361625   | Water Pipe       | 1    |
| 3    | 361587   | Stud             | 1    |
| 4    | 39121    | Nut              | 1    |
| 5    | 39065    | Washer, Spring   | 1    |
| 6    | 361454   | Clamp, Hose      | 2    |
| 7    | 40083    | Washer, Sprng    | 1    |
| 8    | 371929   | Pipe, Water Retn | 1    |
| 9    | 73634    | Band, Pipe       | 2    |

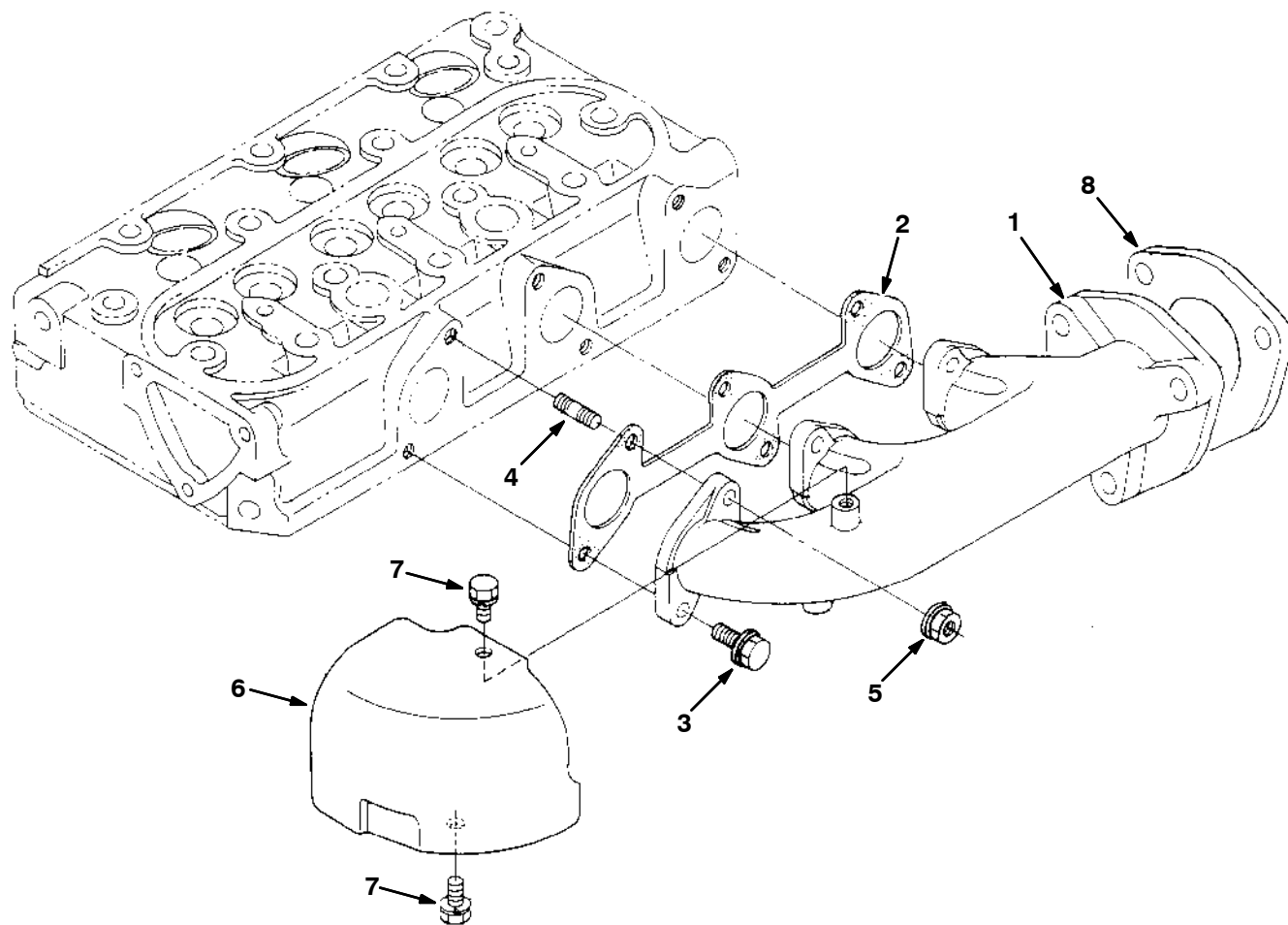
Fig. 25 - Valve and Rocker Arm Group



350273 - G, LP, LIQ

| Ref. | Part No. | Description     | Qty.            |   |
|------|----------|-----------------|-----------------|---|
| 1    | 371925   | Valve,Inlet     | 3               |   |
| 2    | 371926   | Valve,Exhaust   | 3               |   |
| 3    | 361531   | Spring,Valve    | 6               |   |
| 4    | 361532   | Retainer,Spring | 6               |   |
| 5    | 361533   | Collet,Vlv Sprn | 12              |   |
| 6    | 361631   | Valve Cap       | 6               |   |
| 7    | 361563   | Seal,Valve Stem | 6               |   |
| 8    | 361596   | Shaft,Rock Arm  | 1               |   |
| 9    | 361651   | Washer          | 6               |   |
| 10   | 361589   | Plain Washer    | 2               |   |
| 11   | 40409    | Bolt            | 2               |   |
| 12   | 361568   | Brkt,Rocker Arm | 3               |   |
| 13   | 361536   | Stud            | 3               |   |
| 14   | 39121    | Nut             | 3               |   |
| 15   | 40083    | Washer, Sprng   | 3               |   |
| 16   | 39065    | Washer, Spring  | 3               |   |
| 17   | 361537   | Set Scr,Rockarm | 1               |   |
| 18   | 361535   | Spring,Rock Arm | 2               |   |
| ▽    | 19       | 361566          | Rocker Arm Assy | 6 |
| ▲    | 20       | 361567          | Adjusting Screw | 1 |
| ▲    | 21       | 361534          | Nut             | 1 |
|      | 22       | 361525          | Valve Seat,In   | 3 |

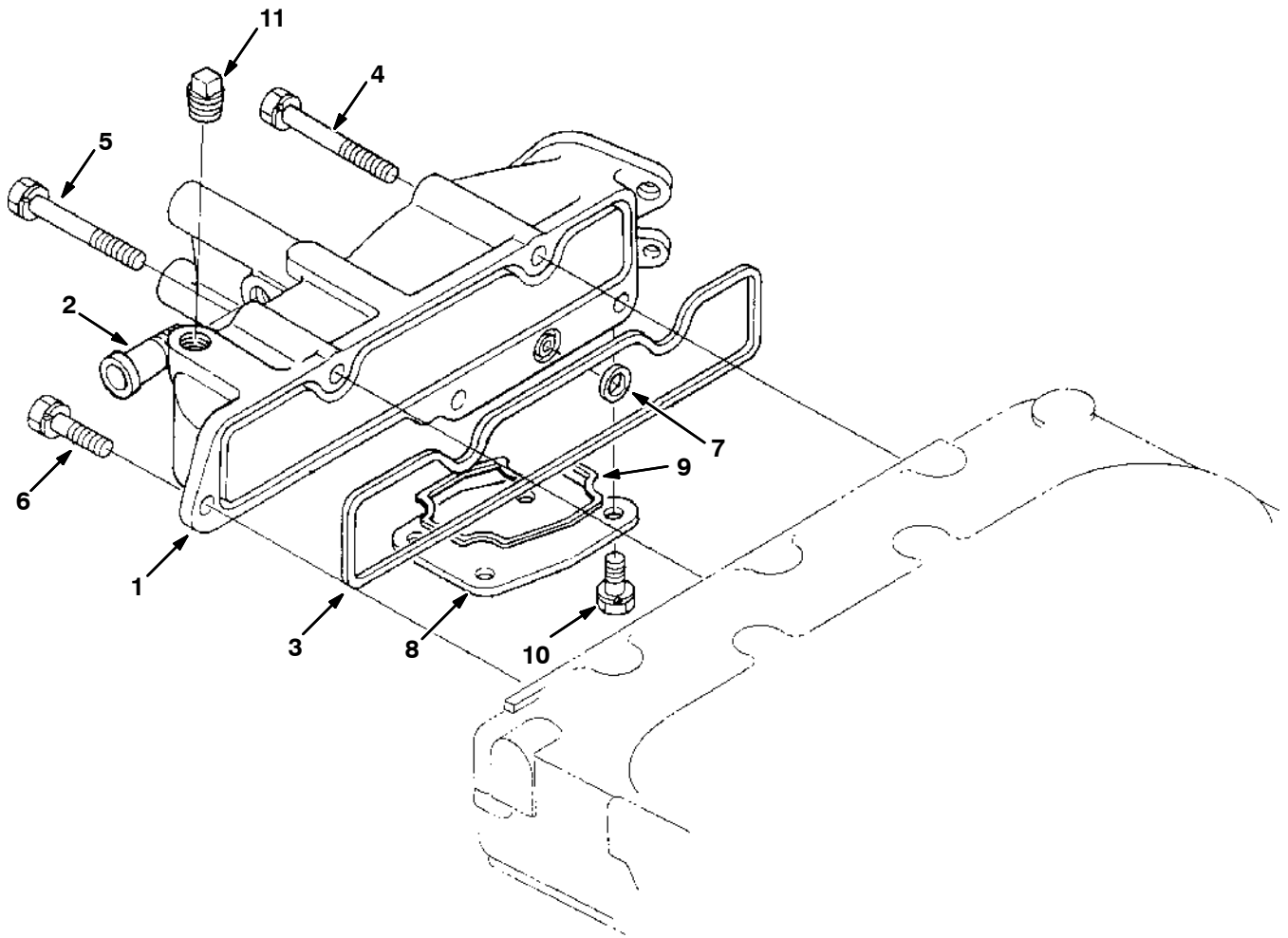
Fig. 26 - Exhaust Manifold Group



350275 - G, LP, LIQ

| Ref. | Part No. | Description     | Qty. |
|------|----------|-----------------|------|
| 1    | 361611   | Manifold,Exh    | 1    |
| 2    | 361595   | Gskt,Muffler Na | 1    |
| 3    | 361447   | Bolt,Ubs        | 3    |
| 4    | 361640   | Stud            | 3    |
| 5    | 361448   | Nut,Ubs         | 3    |
| 6    | 361623   | Cover,Exhaust   | 1    |
| 7    | 361445   | Bolt            | 2    |
| 8    | 361348   | Gasket          | 1    |

**Fig. 27 - Inlet Manifold Group**



350277 - G, LP, LIQ

| Ref. | Part No. | Description       | Qty. |
|------|----------|-------------------|------|
| 1    | 361526   | Manifold, Inlet   | 1    |
| 2    | 361545   | Pipe, Water Retn  | 1    |
| 3    | 361461   | Gskt, In-Manifold | 1    |
| 4    | 361585   | Bolt              | 2    |
| 5    | 72994    | Bolt              | 1    |
| 6    | 72999    | Bolt              | 2    |
| 7    | 361462   | Gasket            | 1    |
| 8    | 361460   | Cover             | 1    |
| 9    | 361463   | Gasket            | 1    |
| 10   | 41973    | Bolt              | 1    |
| 11   | 361653   | Plug              | 1    |



# SECTION 6

**CONTENTS**

**PAGE**

PART NUMBER TO PAGE NUMBER CROSS REFERENCE LIST ..... 6-2  
PART DESCRIPTION TO PAGE NUMBER CROSS REFERENCE LIST ..... 6-10

# CROSS REFERENCE

## PART NUMBER TO PAGE NUMBER CROSS REFERENCE LIST

| Part Number | Page Number       | Part Number | Page Number           | Part Number | Page Number          |
|-------------|-------------------|-------------|-----------------------|-------------|----------------------|
| IB2561      | 4-11              | 07790       | 2-25, 2-33, 2-55      | 1035983     | 5-8                  |
| MM431       | 3-29              | 07791       | 2-15, 2-19, 2-27,     | 10362       | 2-55                 |
| MM431ES     | 3-29              |             | 2-29, 2-31, 2-33,     | 1037207     | 2-2, 2-3, 2-5, 2-65, |
| MM431FR     | 3-29              |             | 2-45, 2-53, 3-7, 3-15 |             | 2-67                 |
| MM431JP     | 3-29              | 07792       | 2-57, 3-15            | 1037973     | 2-25                 |
| MM433       | 3-29              | 07793       | 3-11                  | 1038176     | 2-63                 |
| SK2561      | 4-11              | 08013N      | 2-7                   | 1041444     | 2-67                 |
| 00500-10    | 2-55              | 08085       | 2-51                  | 1041551     | 2-67                 |
| 00500-15    | 4-7               | 08175       | 2-45, 2-47            | 1041616     | 2-67                 |
| 00911       | 2-55              | 08179       | 2-49                  | 1041814     | 2-67                 |
| 00954       | 2-55              | 08182       | 2-41, 2-63            | 1041866     | 3-29                 |
| 01684       | 2-47, 2-63        | 08298       | 2-57                  | 1041869     | 2-31                 |
| 01685       | 2-63              | 08346       | 2-53                  | 1043352     | 2-25                 |
| 01713       | 2-9               | 08361       | 2-57                  | 1045229     | 2-15                 |
| 01714       | 2-73              | 08708       | 2-17, 2-21, 2-23,     | 1045764     | 2-31                 |
| 01754       | 2-19, 2-21, 2-57  |             | 2-33, 2-41, 2-53,     | 1045858     | 2-21                 |
| 01760       | 2-15, 3-18        |             | 2-55, 2-57, 2-59,     | 1046173     | 2-21                 |
| 01762       | 2-47              |             | 2-65, 2-74, 3-15      | 1048820     | 2-75, 4-21           |
| 02361       | 2-79              | 08709       | 2-9, 2-25, 2-35,      | 1048932     | 2-15                 |
| 02431       | 2-9               |             | 2-39, 2-41, 2-45,     | 1049243     | 2-65, 2-67           |
| 02603       | 4-9               |             | 2-47, 2-49, 2-51,     | 1050757     | 2-25                 |
| 02645       | 4-9               |             | 2-57, 2-59, 2-61,     | 1050780     | 4-21                 |
| 02646       | 4-9               |             | 2-63, 2-67, 2-71,     | 1050809     | 4-21                 |
| 02647       | 4-9               |             | 2-73, 3-7, 3-15, 3-17 | 1050810     | 4-21                 |
| 02705       | 4-3               | 08711       | 2-27, 2-41, 2-43,     | 1050811     | 4-21                 |
| 02709       | 4-3               |             | 2-47                  | 1050812     | 4-21                 |
| 02850       | 2-65, 2-67, 3-13, | 08712       | 3-21                  | 1050813     | 4-21                 |
|             | 3-21              | 08714       | 2-43, 3-27, 3-28      | 10576       | 2-15                 |
| 02863       | 2-19, 3-16        | 08716       | 2-59                  | 10632-1     | 2-73                 |
| 02912       | 2-55              | 09007       | 3-21                  | 10632-12    | 3-5                  |
| 03026       | 3-13              | 09010       | 2-9, 2-51, 2-63       | 10632-18    | 2-59, 2-61, 3-7      |
| 03192       | 2-55, 3-15        | 09011       | 2-43                  | 10632-4     | 3-13                 |
| 04483       | 2-43              | 09026       | 2-63, 2-67            | 10632-9     | 3-7                  |
| 04706       | 2-23              | 09028       | 2-51, 2-57            | 10664       | 3-13                 |
| 06415       | 2-59              | 09087       | 2-53                  | 10846       | 5-13                 |
| 06474A      | 2-63              | 09145       | 2-23                  | 11329       | 2-15, 2-23           |
| 06549       | 2-61, 3-9, 3-13   | 09146       | 2-21                  | 11399       | 2-31                 |
| 06750       | 2-71              | 09164       | 2-21                  | 11531       | 2-35                 |
| 06927       | 2-15, 3-21        | 09206       | 3-13                  | 11631       | 2-47                 |
| 06942       | 2-23, 2-25, 2-31, | 09244       | 3-9, 3-13             | 12273       | 2-9, 2-63, 2-65,     |
|             | 2-55              | 09278       | 2-27                  |             | 2-67, 2-73           |
| 06943       | 2-23, 2-31, 2-33, | 09740       | 2-11, 2-13, 2-47,     | 12277       | 2-47                 |
|             | 2-53, 2-55, 2-57, |             | 2-59, 2-63            | 12317       | 2-59                 |
|             | 3-15              | 09744       | 2-61                  | 12323       | 2-59                 |
| 06949       | 2-41, 2-74        | 09806       | 2-59                  | 12333       | 2-9, 2-35, 2-65      |
| 06956       | 2-45              | 1008142     | 2-19, 2-57            | 12364       | 2-49                 |
| 06957       | 2-57              | 10143       | 2-37                  | 12459       | 2-47, 2-57, 2-63,    |
| 06961       | 2-25, 2-27, 2-37, | 1014605     | 2-15                  |             | 2-69                 |
|             | 3-19              | 1016827     | 2-33                  | 12916       | 5-6                  |
| 06964       | 2-43              | 1017126     | 2-4, 2-5, 2-33        | 13173       | 2-19                 |
| 06968       | 2-41              | 1017325     | 2-25                  | 13513       | 2-73                 |
| 06971       | 2-27              | 1021380     | 2-25                  | 13904       | 4-13, 4-15           |
| 06972       | 2-43              | 1026362     | 2-57                  | 140282      | 2-19                 |
| 06977       | 2-47              | 1028492     | 2-43                  | 14131       | 2-33                 |
| 06988       | 2-51              | 1035978     | 5-8                   | 14242       | 2-43                 |
| 07259       | 2-57              | 1035979     | 5-8                   | 14296       | 2-27                 |
| 07299       | 2-25              | 1035980     | 5-8                   | 14595-1     | 2-41, 2-51           |
| 07592       | 2-73              | 1035981     | 5-8                   | 14601       | 2-73                 |



# CROSS REFERENCE

| Part Number | Page Number   | Part Number | Page Number                                    | Part Number | Page Number  |
|-------------|---|-------------|--|-------------|--|
| 14605       | 2-41, 2-51  | 21982       | 4-11   | 32490       | 2-29, 2-31, 2-33,  |
| 15331       | 2-51  | 21983       | 4-11   |             | 2-47, 2-57, 2-59,  |
| 15555-2     | 2-33  | 21984       | 4-11   |             | 2-61, 2-73, 3-7, 3-9,  |
| 15675       | 2-13, 2-17, 2-61,<br>2-63, 2-65, 2-67               | 21985       | 4-11   |             | 3-13, 3-15, 3-17,<br>3-18  |
| 15678       | 2-59  | 21993       | 4-11   | 32491       | 2-11, 2-13, 2-15,<br>2-17, 2-19, 2-25,<br>2-33, 2-35, 2-39,<br>2-41, 2-43, 2-45,<br>2-47, 2-49, 2-51,<br>2-53, 2-59, 2-61,<br>2-63, 2-67, 2-71,<br>2-73, 3-7 |
| 16082       | 2-51  | 222114      | 2-21   | 32492       | 2-25, 2-27, 2-31,<br>2-49, 2-51, 2-55,<br>2-57, 2-59, 2-61,<br>2-63, 3-15  |
| 16213       | 2-73  | 222196      | 2-39   |             |  |
| 16376       | 2-25  | 222290      | 2-87   | 32523       | 2-17   |
| 16411       | 2-2   | 222460      | 2-49   | 32525       | 2-55   |
| 16412       | 2-2   | 222504      | 2-61   | 32598       | 2-57   |
| 16455       | 2-57  | 222505      | 2-49   | 32815       | 2-55   |
| 16695       | 4-5, 4-7  | 222516      | 2-15   | 32899       | 2-41, 2-51   |
| 16735       | 2-15, 2-19, 2-31,<br>2-33, 2-75                     | 22290       | 2-23   | 32960       | 2-11, 2-13   |
| 16931       | 2-15, 2-17, 2-19,<br>2-25, 2-29, 2-33,<br>2-39, 3-7 | 22297       | 2-29   | 32981       | 2-33, 2-73   |
| 16949       | 2-17, 2-69  | 23498       | 2-53, 2-55                                     | 32983       | 2-17   |
| 17404       | 2-57  | 23694       | 2-35   | 32984       | 2-27   |
| 17414       | 2-33  | 23788       | 2-57   | 32985       | 2-25   |
| 19065       | 2-65, 2-67, 3-7                                     | 24012-1     | 2-35   | 32987       | 2-43, 2-47   |
| 19066       | 2-21, 2-23, 2-31,<br>2-55, 3-9, 3-13, 3-21          | 24339       | 2-43, 3-25, 3-26,<br>3-27, 3-28                | 330715      | 3-29   |
| 19252       | 2-27  | 24576-1     | 3-7  | 33342       | 2-51   |
| 19309       | 3-7   | 24576       | 3-7  | 33612       | 2-27   |
| 19320       | 3-7   | 24593       | 3-15   | 33671       | 2-37   |
| 19324       | 3-15  | 24698       | 2-33   | 33932       | 2-59   |
| 20100       | 5-7, 5-17, 5-18,<br>5-20, 5-24, 5-25                | 24899       | 2-47   | 33933       | 2-19, 2-57   |
| 20634       | 2-65, 2-67  | 24976       | 3-13   | 34176       | 4-7  |
| 21194       | 3-13  | 25005       | 2-53   | 34329       | 2-43   |
| 21195       | 2-27  | 25049       | 2-73   | 34359       | 2-63   |
| 21917       | 4-15  | 25312       | 3-16   | 34813       | 2-21   |
| 21925       | 4-3   | 25887       | 2-47   | 34877       | 2-57   |
| 21926       | 4-3   | 26395-2     | 3-3, 3-7, 3-21                                 | 35529       | 2-57   |
| 21927       | 4-3   | 27108       | 2-51   | 35586       | 2-74   |
| 21928       | 4-3   | 27985       | 2-17, 2-25                                     | 35973       | 2-47   |
| 21929       | 4-3   | 28499-1     | 3-7  | 360023      | 2-41   |
| 21933       | 4-19  | 28835       | 4-5, 4-7                                       | 360026      | 2-61   |
| 21934       | 4-19  | 29499       | 2-51   | 360027      | 2-51   |
| 21935       | 4-19  | 29584       | 2-49   | 360028      | 2-51   |
| 21948       | 4-15  | 29832-5     | 2-37   | 360042      | 2-59   |
| 21951       | 4-9   | 30013       | 2-9, 3-15                                      | 360054      | 2-41   |
| 21952       | 4-9   | 30057       | 5-15   | 360062      | 2-74   |
| 21953       | 4-9   | 30111       | 5-15   | 360063      | 2-74   |
| 21959       | 4-5   | 30135       | 5-7, 5-8                                       | 360064      | 2-57   |
| 21960       | 4-5   | 30251       | 2-47   | 360071      | 2-41   |
| 21961       | 4-13  | 30252       | 2-47   | 360074      | 2-41, 3-25, 3-26,<br>3-27, 3-28  |
| 21963       | 4-3   | 30253       | 2-47   | 360077      | 2-57   |
| 21964       | 4-17  | 30255       | 2-47   | 360078      | 2-51   |
| 21965       | 4-17  | 30533       | 3-19   | 360079      | 2-3, 2-5, 2-49   |
| 21966       | 4-17  | 31258       | 2-37   | 360081      | 2-51   |
| 21967       | 4-17  | 31258       | 2-37   | 360083      | 2-17   |
| 21972       | 4-17  | 31354       | 4-5, 4-7                                       | 360096      | 2-19   |
| 21973       | 4-17  | 31373       | 4-5  |             |  |
| 21974       | 4-17  | 31375       | 4-7  |             |  |
| 21978       | 4-11  | 31646       | 2-69   |             |  |
| 21980       | 4-11  | 32126       | 2-43, 3-25, 3-26,<br>3-27, 3-28                |             |  |
| 21981       | 4-11  | 32483       | 2-23, 2-53                                     |             |  |
|             |   | 32485       | 2-25, 2-27, 2-35,<br>2-37, 2-43, 2-71,<br>3-13 |             |  |
|             |   | 32486       | 2-17, 2-25, 2-41,<br>2-51, 2-63, 3-11          |             |  |

# CROSS REFERENCE

| Part Number | Page Number               | Part Number | Page Number          | Part Number | Page Number         |
|-------------|---------------------------|-------------|----------------------|-------------|---------------------|
| 360098      | 2-33, 2-69                | 360367      | 2-35                 | 360678      | 2-53                |
| 360107      | 2-47                      | 360369      | 2-15                 | 360704      | 2-15                |
| 360109      | 2-47                      | 360370      | 2-15                 | 360707      | 2-29                |
| 360110      | 2-47                      | 360372      | 2-35                 | 360708      | 2-29                |
| 360120      | 2-47                      | 360386      | 2-57                 | 360711      | 2-23                |
| 360132      | 2-47                      | 360388      | 2-3, 2-5, 2-11, 2-13 | 360712      | 2-19                |
| 360134      | 2-2, 2-3, 2-5, 2-9        | 360392      | 2-13                 | 360713      | 2-19                |
| 360136      | 2-2, 2-3, 2-5, 2-9        | 360395      | 2-11                 | 360721      | 2-25                |
| 360137      | 2-9                       | 360403      | 2-33                 | 360729      | 2-71                |
| 360138      | 2-9                       | 360410      | 2-49                 | 360732      | 2-27                |
| 360144      | 2-45                      | 360411      | 2-49                 | 360736      | 2-55                |
| 360152      | 2-43                      | 360413      | 2-49                 | 360742      | 2-19                |
| 360162      | 3-23, 3-26                | 360414      | 2-49                 | 360747      | 2-25                |
| 360163      | 3-22, 3-25                | 360417      | 2-49                 | 360748      | 2-25                |
| 360181      | 2-55                      | 360421      | 2-63                 | 360753      | 2-2, 2-3, 2-4, 2-5  |
| 360185      | 2-63                      | 360424      | 2-63                 | 360760      | 2-33                |
| 360191      | 2-59                      | 360426      | 2-59                 | 360761      | 2-2, 2-3, 2-5, 2-13 |
| 360192      | 2-59                      | 360427      | 2-63                 | 360763      | 2-13                |
| 360193      | 2-59                      | 360428      | 2-61                 | 360766      | 2-57                |
| 360194      | 2-59                      | 360429      | 2-59                 | 360768      | 2-57                |
| 360199      | 2-2, 2-3, 2-5, 2-65, 2-67 | 360430      | 2-59                 | 360769      | 2-43                |
| 360200      | 2-9                       | 360434      | 2-63                 | 360773      | 2-21                |
| 360270      | 2-41                      | 360435      | 2-63                 | 360774      | 2-45                |
| 360271      | 2-41                      | 360436      | 2-61                 | 360781      | 2-9, 2-13           |
| 360272      | 2-41                      | 360442      | 2-73                 | 360782      | 2-2, 2-3, 2-5, 2-9  |
| 360273      | 2-41                      | 360449      | 2-49                 | 360784      | 2-2, 2-3, 2-5, 2-11 |
| 360274      | 2-41                      | 360451      | 2-49                 | 360786      | 2-2, 2-3, 2-5, 2-59 |
| 360275      | 2-41                      | 360454      | 2-49                 | 360787      | 2-31                |
| 360276      | 2-41                      | 360455      | 2-57                 | 360795      | 3-11                |
| 360280      | 2-11, 2-13                | 360459      | 2-39                 | 360798      | 3-11                |
| 360283      | 2-11, 2-13                | 360460      | 2-39, 2-45           | 360799      | 2-31                |
| 360284      | 2-11, 2-13                | 360465      | 2-19                 | 360801      | 2-49, 2-51          |
| 360295      | 3-22                      | 360467      | 2-74                 | 360802      | 2-41                |
| 360296      | 3-23                      | 360471      | 2-27                 | 360808      | 2-65                |
| 360300      | 3-24, 3-28                | 360487      | 2-13                 | 360809      | 2-65                |
| 360309      | 2-15                      | 360492      | 2-47                 | 360813      | 2-25                |
| 360313      | 2-73                      | 36050       | 2-2, 2-3, 2-4, 2-5   | 360814      | 2-25                |
| 360319      | 2-11                      | 360500      | 3-3                  | 360819      | 2-37                |
| 360327      | 2-2, 2-3, 2-5, 2-59       | 360503      | 2-87                 | 360820      | 2-65                |
| 360328      | 2-59                      | 360504      | 3-5                  | 360821      | 2-39                |
| 360332      | 2-61                      | 360509      | 2-87                 | 360822      | 2-59                |
| 360333      | 2-63                      | 360520      | 3-3, 3-5             | 360824      | 2-61                |
| 360334      | 2-59                      | 360521      | 2-21                 | 360826      | 2-61                |
| 360335      | 2-59                      | 360602      | 2-61                 | 360831      | 2-17                |
| 360336      | 2-2, 2-3, 2-5, 2-63       | 360603      | 2-2, 2-3, 2-5, 2-63  | 360833      | 2-29                |
| 360337      | 2-63                      | 360604      | 2-59                 | 360836      | 2-33                |
| 360338      | 2-63                      | 360606      | 2-63                 | 360837      | 2-33                |
| 360340      | 2-63                      | 360608      | 2-61                 | 360839      | 3-11                |
| 360341      | 2-31                      | 360610      | 2-61                 | 360840      | 2-39                |
| 360342      | 2-15                      | 360620      | 2-31                 | 360841      | 2-73                |
| 360344      | 2-39                      | 360621      | 2-31                 | 360844      | 2-2, 2-3, 2-5, 2-63 |
| 360345      | 2-41                      | 360627      | 2-29                 | 360848      | 2-63                |
| 360349      | 2-47                      | 360629      | 2-35                 | 360854      | 2-39                |
| 360352      | 2-41                      | 360630      | 3-19                 | 360867      | 2-23                |
| 360357      | 2-51                      | 360631      | 2-49                 | 360872      | 2-33                |
| 360361      | 2-15                      | 360633      | 2-41                 | 360873      | 2-17                |
| 360362      | 2-31                      | 360637      | 2-45                 | 360876      | 2-35                |
| 360363      | 2-31                      | 360655      | 2-53                 | 360877      | 2-33                |
| 360364      | 2-29                      | 360658      | 2-53                 | 360883      | 3-15                |
|             |                           | 360660      | 2-53                 | 360884      | 2-39                |

# CROSS REFERENCE

| Part Number | Page Number           | Part Number | Page Number         | Part Number | Page Number |
|-------------|-----------------------|-------------|---------------------|-------------|-------------|
| 360888      | 2-63                  | 361054      | 2-61                | 361293      | 2-19        |
| 360889      | 2-61                  | 361064      | 2-88                | 361295      | 2-57        |
| 360890      | 2-59                  | 361069      | 3-24                | 361296      | 2-55        |
| 360893      | 2-59                  | 361070      | 2-51                | 361299      | 2-74        |
| 360894      | 2-59                  | 361072      | 2-21                | 361300      | 2-19        |
| 360903      | 2-57                  | 361075      | 2-21, 3-9, 3-13     | 361306      | 2-11        |
| 360906      | 2-19                  | 361077      | 2-43, 3-24, 3-27,   | 361323      | 2-29        |
| 360908      | 2-59                  |             | 3-28                | 361324      | 2-29        |
| 360909      | 2-59                  | 361081      | 2-43, 3-27          | 361325      | 2-29        |
| 360910      | 2-59                  | 361084      | 2-51                | 361327      | 2-55        |
| 360912      | 3-21                  | 361107      | 2-88                | 361329      | 3-15        |
| 360915      | 3-21                  | 361109      | 2-88                | 361330      | 3-15        |
| 360917      | 2-39                  | 361113      | 2-33                | 361331      | 3-15        |
| 360928      | 2-19                  | 361120      | 3-3                 | 361332      | 3-15        |
| 360930      | 2-49                  | 361121      | 2-9                 | 361333      | 2-61        |
| 360932      | 3-19                  | 361125      | 3-5                 | 361339      | 2-59, 2-63  |
| 360933      | 3-15                  | 361135      | 2-45                | 361342      | 2-15        |
| 360935      | 2-41                  | 361140      | 3-9, 3-13           | 361343      | 2-15        |
| 360938      | 3-21                  | 361141      | 3-9, 3-13           | 361344      | 2-15        |
| 360941      | 2-61                  | 361146      | 3-17                | 361345      | 2-15        |
| 360943      | 2-59, 3-21            | 361148      | 3-13                | 361346      | 2-9         |
| 360949      | 2-65                  | 361153      | 2-3, 2-5, 2-55      | 361348      | 5-30        |
| 360952      | 2-65                  | 361160      | 2-9                 | 361362      | 5-4, 5-27   |
| 360955      | 2-65                  | 361164      | 2-17                | 361369      | 5-4         |
| 360957      | 2-65, 2-67            | 361165      | 2-17                | 361370      | 5-4         |
| 360959      | 2-27                  | 361201      | 2-2, 2-3, 2-4, 2-5, | 361371      | 5-3         |
| 360961      | 2-49                  |             | 2-29                | 361372      | 5-5         |
| 360962      | 3-11                  | 361203      | 2-55                | 361374      | 5-8         |
| 360972      | 2-35                  | 361204      | 2-55                | 361381      | 5-10        |
| 360973      | 2-15, 3-3, 3-7, 3-15, | 361205      | 2-55                | 361396      | 5-5         |
|             | 3-16                  | 361206      | 2-55                | 361403      | 5-10        |
| 360977      | 2-3, 2-5, 2-53        | 361207      | 2-55                | 361410      | 5-10        |
| 360979      | 2-3, 2-5, 2-53        | 361208      | 2-55                | 361441      | 5-6         |
| 360981      | 2-53                  | 361209      | 2-33                | 361442      | 5-18        |
| 360991      | 2-2, 2-3, 2-4, 2-5,   | 361210      | 3-16                | 361443      | 5-25        |
|             | 2-69                  | 361211      | 3-16                | 361445      | 5-30        |
| 361009      | 2-79                  | 361224      | 2-2                 | 361446      | 5-17        |
| 361010      | 2-71, 4-3             | 361230      | 5-21                | 361447      | 5-30        |
| 361012      | 2-74, 4-13            | 361236      | 2-2                 | 361448      | 5-30        |
| 361013      | 2-57, 4-17            | 361237      | 2-2                 | 361449      | 5-3         |
| 361014      | 2-51, 4-5             | 361238      | 2-2                 | 361450      | 5-21        |
| 361018      | 2-71, 4-11            | 361239      | 2-2                 | 361451      | 5-19        |
| 361019      | 2-75, 4-15            | 361242      | 2-2                 | 361452      | 5-6         |
| 361021      | 2-47, 4-7             | 361250      | 2-23                | 361453      | 5-15        |
| 361023      | 2-2, 2-3, 2-4, 2-5,   | 361251      | 2-35                | 361454      | 5-28        |
|             | 2-69                  | 361259      | 2-25                | 361455      | 5-17        |
| 361025      | 2-43, 4-9             | 361260      | 2-27                | 361456      | 5-20        |
| 361028      | 2-74, 4-13            | 361261      | 2-33                | 361457      | 5-20        |
| 361040      | 2-79                  | 361268      | 3-15                | 361458      | 5-10        |
| 361041      | 2-79                  | 361270      | 2-69                | 361459      | 5-17        |
| 361042      | 2-79                  | 361272      | 2-55                | 361460      | 5-31        |
| 361043      | 2-79                  | 361273      | 2-31                | 361461      | 5-31        |
| 361044      | 2-79                  | 361274      | 2-57                | 361462      | 5-31        |
| 361046      | 2-79                  | 361276      | 2-57                | 361463      | 5-31        |
| 361047      | 2-79                  | 361279      | 2-33                | 361464      | 5-13        |
| 361048      | 2-79                  | 361282      | 2-25                | 361466      | 5-15        |
| 361049      | 2-79                  | 361284      | 3-11                | 361467      | 5-17        |
| 361050      | 2-79                  | 361285      | 3-11                | 361468      | 5-13        |
| 361051      | 2-79                  | 361288      | 3-9                 | 361469      | 5-18        |
| 361052      | 2-79                  | 361292      | 3-15                | 361470      | 5-18        |

# CROSS REFERENCE

| Part Number | Page Number | Part Number | Page Number | Part Number | Page Number    |
|-------------|-------------|-------------|-------------|-------------|----------------|
| 361471      | 5-18        | 361539      | 5-15        | 361605      | 5-15           |
| 361472      | 5-18        | 361540      | 5-15        | 361606      | 5-15           |
| 361473      | 5-18        | 361541      | 5-13        | 361607      | 5-15           |
| 361475      | 5-19        | 361542      | 5-19        | 361608      | 5-15           |
| 361476      | 5-18        | 361543      | 5-21        | 361609      | 5-4            |
| 361477      | 5-19        | 361544      | 5-24        | 361610      | 5-10           |
| 361478      | 5-18        | 361545      | 5-31        | 361611      | 5-30           |
| 361479      | 5-18        | 361547      | 5-15        | 361612      | 5-3            |
| 361480      | 5-18        | 361548      | 5-15        | 361614      | 5-26           |
| 361481      | 5-18        | 361550      | 2-15        | 361615      | 5-24           |
| 361482      | 5-18        | 361554      | 2-15        | 361616      | 5-11           |
| 361483      | 5-18        | 361555      | 2-47        | 361617      | 5-11           |
| 361484      | 5-20        | 361556      | 5-10        | 361619      | 5-11           |
| 361485      | 5-20        | 361557      | 5-7         | 361620      | 5-11           |
| 361486      | 5-20        | 361558      | 5-7         | 361621      | 5-6            |
| 361487      | 5-21        | 361559      | 5-7         | 361622      | 5-7            |
| 361488      | 5-22        | 361560      | 5-7         | 361623      | 5-30           |
| 361489      | 5-22        | 361561      | 5-7         | 361624      | 5-15           |
| 361490      | 5-22        | 361562      | 5-7, 5-8    | 361625      | 5-28           |
| 361491      | 5-22        | 361563      | 5-29        | 361626      | 5-27           |
| 361492      | 5-22        | 361564      | 5-5         | 361627      | 5-26           |
| 361493      | 5-21        | 361565      | 5-5         | 361628      | 5-15           |
| 361494      | 5-21        | 361566      | 5-29        | 361630      | 5-10           |
| 361495      | 5-12        | 361567      | 5-29        | 361631      | 5-29           |
| 361496      | 5-23        | 361568      | 5-29        | 361632      | 5-11           |
| 361497      | 5-21        | 361569      | 5-11        | 361633      | 5-11           |
| 361498      | 5-17        | 361570      | 5-13        | 361634      | 5-15           |
| 361499      | 5-20        | 361571      | 5-11        | 361635      | 5-4            |
| 361500      | 5-3         | 361572      | 5-15        | 361636      | 5-3            |
| 361501      | 5-5         | 361573      | 5-15        | 361637      | 5-9            |
| 361502      | 5-6         | 361574      | 5-15        | 361638      | 5-6            |
| 361503      | 5-6         | 361575      | 5-3         | 361639      | 5-12           |
| 361504      | 5-12        | 361576      | 5-6         | 361640      | 5-30           |
| 361505      | 5-15        | 361577      | 5-13        | 361641      | 5-6            |
| 361506      | 5-15        | 361578      | 5-13        | 361642      | 5-3            |
| 361507      | 5-15        | 361579      | 5-13        | 361643      | 5-3            |
| 361508      | 5-15        | 361580      | 5-19        | 361644      | 5-10           |
| 361509      | 5-17        | 361581      | 5-18        | 361645      | 5-7            |
| 361510      | 5-20        | 361582      | 5-28        | 361646      | 5-7, 5-8       |
| 361511      | 5-20        | 361583      | 5-26        | 361647      | 5-15           |
| 361512      | 5-20        | 361584      | 5-27        | 361648      | 5-12           |
| 361513      | 5-21        | 361585      | 5-6, 5-31   | 361649      | 5-24           |
| 361514      | 5-21        | 361586      | 5-3         | 361650      | 5-7            |
| 361515      | 5-21        | 361587      | 5-28        | 361651      | 5-29           |
| 361516      | 5-21        | 361588      | 5-6         | 361652      | 5-3            |
| 361517      | 5-21        | 361589      | 5-29        | 361653      | 5-31           |
| 361525      | 5-29        | 361590      | 5-10        | 361654      | 5-26           |
| 361526      | 5-31        | 361591      | 5-12        | 361655      | 5-24           |
| 361527      | 5-13        | 361592      | 5-25        | 361656      | 5-27           |
| 361528      | 5-20        | 361593      | 5-25        | 361657      | 5-7            |
| 361529      | 5-17        | 361594      | 5-6         | 361658      | 5-20, 5-24     |
| 361530      | 5-5         | 361595      | 5-30        | 361670      | 3-15           |
| 361531      | 5-29        | 361596      | 5-29        | 361671      | 3-11           |
| 361532      | 5-29        | 361597      | 5-11        | 361672      | 3-11           |
| 361533      | 5-29        | 361599      | 5-15        | 361673      | 3-11           |
| 361534      | 5-29        | 361600      | 5-15        | 36192       | 2-3, 2-5, 2-15 |
| 361535      | 5-29        | 361601      | 5-15        | 361922      | 2-27           |
| 361536      | 5-29        | 361602      | 5-15        | 361944      | 3-5            |
| 361537      | 5-29        | 361603      | 5-15        | 361950      | 2-19           |
| 361538      | 5-15        | 361604      | 5-15        | 361951      | 2-15           |

# CROSS REFERENCE

| Part Number | Page Number            | Part Number | Page Number                                    | Part Number | Page Number                              |
|-------------|------------------------|-------------|--|-------------|--|
| 361975      | 3-3, 3-5               | 375047      | 5-24   | 393623      | 5-11                                     |
| 361980      | 2-27                   | 375055      | 5-17   | 39395       | 2-47                                     |
| 36328       | 2-57                   | 375056      | 5-17   | 39396       | 2-51                                     |
| 363502      | 2-11                   | 375057      | 5-17   | 39512       | 5-20                                     |
| 36438       | 3-7                    | 375058      | 5-17   | 39527       | 4-7                                      |
| 36439       | 3-7                    | 375059      | 5-17   | 39633       | 5-13                                     |
| 364826      | 2-43                   | 375062      | 2-33   | 39658       | 2-21, 2-57                               |
| 364827      | 2-43                   | 375133      | 2-59   | 39710       | 5-13                                     |
| 364861      | 2-43                   | 375134      | 2-59   | 39780-2     | 3-13                                     |
| 364863      | 2-43                   | 37555       | 4-5, 4-7                                       | 398507      | 2-87                                     |
| 364949      | 2-43                   | 377324      | 2-21   | 39924       | 3-13                                     |
| 366016      | 3-7                    | 377433      | 2-21   | 40083       | 5-28, 5-29                               |
| 366021      | 3-7                    | 377537      | 2-2  | 40166       | 5-7, 5-8, 5-13, 5-18                     |
| 366024      | 3-7                    | 377538      | 2-2  | 40203       | 5-3                                      |
| 366025      | 3-7                    | 377540      | 2-2  | 40409       | 5-6, 5-12, 5-18, 5-29                    |
| 366026      | 2-21                   | 382516      | 2-21   | 40585       | 2-33                                     |
| 366054      | 2-25                   | 38263       | 4-5  | 40607       | 3-13                                     |
| 366055      | 2-25                   | 38315       | 4-9  | 40678-1     | 2-27                                     |
| 366063      | 5-17                   | 383165      | 2-21   | 40678       | 2-31, 2-33                               |
| 366068      | 2-27                   | 38490       | 4-9  | 40758       | 2-9                                      |
| 366069      | 2-3                    | 385947      | 2-7  | 40870-8     | 2-3, 2-5, 2-55                           |
| 366092      | 2-43, 3-24, 3-27, 3-28 | 387153      | 2-55   | 41141       | 2-53                                     |
| 366093      | 3-24, 3-28             | 387376      | 2-55   | 41142       | 2-37                                     |
| 366094      | 2-43, 3-27             | 387387      | 2-55   | 41178       | 2-59, 3-15                               |
| 366104      | 2-43, 3-24, 3-27, 3-28 | 387388      | 2-55   | 41342       | 2-73, 3-7, 3-17                          |
| 366107      | 3-25, 3-26, 3-27, 3-28 | 387389      | 2-55   | 41346       | 3-11                                     |
| 366111      | 3-27                   | 388426      | 2-29   | 41430       | 2-31, 2-43, 2-49, 2-57, 2-59, 2-61, 3-19 |
| 366112      | 3-28                   | 39051       | 5-3  | 41561       | 2-55                                     |
| 366113      | 3-27                   | 39052       | 5-3  | 41619       | 2-59                                     |
| 366114      | 3-28                   | 39060       | 5-3  | 41792       | 5-4                                      |
| 366116      | 3-26                   | 39065       | 5-28, 5-29                                     | 41973       | 5-17, 5-24, 5-26, 5-31                   |
| 366117      | 3-26                   | 39073       | 5-4, 5-5                                       | 42120-1     | 2-57                                     |
| 366118      | 3-25                   | 39088       | 5-3, 5-5                                       | 42124       | 3-21                                     |
| 366119      | 3-25                   | 39094       | 5-12   | 42215       | 2-23                                     |
| 36658       | 2-65, 2-67             | 39097       | 5-17, 5-18, 5-20, 5-24, 5-25                   | 42223       | 2-71                                     |
| 36661       | 2-65, 2-67             | 39107       | 5-24   | 42227       | 2-69                                     |
| 368082      | 2-2, 2-3, 2-4, 2-5     | 39117       | 5-6, 5-13                                      | 43242       | 2-25                                     |
| 368092      | 5-26                   | 39119       | 5-10, 5-26, 5-27                               | 43454       | 2-17                                     |
| 369704      | 2-53                   | 39121       | 5-20, 5-28, 5-29                               | 43672       | 3-7                                      |
| 369810      | 3-18                   | 39128       | 5-21, 5-24                                     | 43673       | 3-7                                      |
| 370010      | 2-7                    | 39148       | 5-7, 5-18, 5-21, 5-24                          | 43844       | 2-33                                     |
| 370025      | 2-7                    | 39160       | 5-11, 5-13, 5-18, 5-20                         | 43958       | 2-43                                     |
| 370153      | 2-65                   | 39162       | 5-7, 5-8                                       | 44078       | 2-21, 2-53                               |
| 371686      | 3-29                   | 391803      | 2-15   | 44166       | 3-21                                     |
| 371922      | 5-17                   | 39197       | 5-11   | 44681-1     | 3-3, 3-5                                 |
| 371923      | 5-22                   | 39277       | 2-25, 2-35, 2-41, 2-45, 2-53, 2-61, 2-71, 3-15 | 44681-2     | 3-3, 3-5                                 |
| 371924      | 5-5                    | 39283       | 2-25, 2-31, 2-43, 3-27, 3-28                   | 44681       | 3-3, 3-5                                 |
| 371925      | 5-29                   | 39311       | 2-65   | 44869       | 2-71, 2-75                               |
| 371926      | 5-29                   | 39338       | 2-55   | 44906       | 2-39                                     |
| 371927      | 5-27                   | 39346       | 2-49   | 44936       | 2-43                                     |
| 371928      | 5-26                   | 39349       | 2-11, 2-13, 2-15, 2-27, 2-31, 3-15             | 45628       | 4-5, 4-7                                 |
| 371929      | 5-28                   | 39350       | 2-43   | 45779       | 2-59, 3-3, 3-5                           |
| 371930      | 5-5                    | 393549      | 5-8  | 45786       | 2-43, 3-24, 3-27, 3-28                   |
| 375001      | 3-25, 3-26, 3-27, 3-28 | 393605      | 5-24   | 45975       | 2-87                                     |
| 375019      | 2-53                   |             |  | 46140       | 2-53                                     |
| 375020      | 2-45                   |             |  | 46480       | 2-43                                     |

# CROSS REFERENCE

| Part Number | Page Number  | Part Number | Page Number                 | Part Number | Page Number           |
|-------------|--|-------------|-----------------------------|-------------|-----------------------|
| 46481       | 2-69   | 54395       | 2-15                        | 65145-1     | 2-71                  |
| 46559       | 2-51, 2-71   | 54995       | 2-45, 2-49                  | 65221       | 3-13                  |
| 47501       | 2-51   | 55248       | 2-31, 2-59                  | 65222       | 3-13                  |
| 47512       | 2-71   | 55586       | 2-47, 2-75                  | 65229       | 4-7                   |
| 47513       | 2-69   | 55619       | 2-69                        | 65230       | 4-5                   |
| 47522       | 2-43   | 55685       | 2-74                        | 65441       | 2-73                  |
| 47566       | 2-33   | 55697       | 2-79                        | 65869-1     | 2-3, 2-5              |
| 47585       | 2-23   | 55740       | 2-2, 2-3, 2-4, 2-5,<br>2-69 | 67004       | 3-21                  |
| 47638       | 2-57, 2-74   | 55779       | 2-47                        | 67366       | 2-69                  |
| 47655       | 2-69   | 55844       | 2-2, 2-3                    | 67767       | 2-9, 2-19, 2-31, 2-47 |
| 47719       | 2-43   | 55849       | 2-2, 2-3, 2-4, 2-5          | 68866       | 2-73                  |
| 47752       | 2-23   | 55965       | 3-21                        | 68872       | 2-37                  |
| 47753       | 2-51   | 56185       | 2-23                        | 68873       | 2-37                  |
| 47801       | 2-43   | 56186       | 2-21                        | 69234       | 2-19, 2-25, 2-27      |
| 48267       | 2-33   | 56398       | 2-23                        | 70006       | 2-69                  |
| 48577       | 4-17   | 56690       | 2-23, 2-75                  | 70096       | 4-3                   |
| 48732       | 2-57   | 56820       | 2-43, 2-57, 2-74            | 70097       | 4-3                   |
| 48763       | 3-11   | 56821       | 2-51                        | 70098       | 4-3                   |
| 49145       | 2-41   | 57288       | 2-79                        | 70099       | 4-3                   |
| 49225       | 2-43   | 57370       | 4-9                         | 70100       | 4-3                   |
| 49263       | 2-21, 2-23   | 57373       | 4-9                         | 70103       | 4-3                   |
| 49266       | 2-31, 2-33, 2-43,<br>2-51, 2-53, 2-59,<br>2-63, 2-73, 3-3, 3-5,<br>3-7 | 57374       | 4-9                         | 70173       | 2-33                  |
| 49287       | 2-25   | 57375       | 4-9                         | 70218       | 2-23                  |
| 49300       | 2-53   | 57564       | 2-9, 2-13                   | 70219       | 2-23                  |
| 49697       | 2-59, 2-65, 2-67   | 57751       | 2-21, 3-3, 3-5, 3-7         | 70622       | 2-23                  |
| 49826       | 2-11, 2-13, 2-65   | 57803       | 2-21, 3-3, 3-5, 3-7         | 70709       | 2-23                  |
| 50388       | 2-27, 2-31   | 57897       | 4-3                         | 70717       | 2-23                  |
| 50470       | 3-7  | 57962       | 2-79                        | 70767       | 2-33                  |
| 50616       | 3-7  | 57972       | 2-79                        | 70888       | 5-3                   |
| 51020       | 5-15   | 58056       | 2-43                        | 70974       | 5-17                  |
| 51109       | 2-41   | 58286       | 2-25, 2-35, 2-37            | 70995       | 5-26                  |
| 51176       | 2-27   | 58346       | 2-29                        | 70998       | 5-3                   |
| 51194       | 5-15   | 58842       | 2-43                        | 71126       | 2-49                  |
| 51225-1     | 2-63   | 59015       | 2-33                        | 71456       | 5-26                  |
| 51276       | 5-15   | 59118-6     | 2-55                        | 71713       | 2-23, 4-19            |
| 51277       | 5-15   | 59431       | 2-7                         | 71721       | 2-71                  |
| 51285       | 5-3  | 59432       | 2-7                         | 71988       | 5-3                   |
| 51305       | 2-31   | 59542       | 2-57                        | 71995       | 5-11                  |
| 51331       | 5-5  | 59560       | 2-79                        | 72155       | 2-43                  |
| 51417       | 4-9  | 59567       | 2-79                        | 72439       | 2-17                  |
| 51529       | 2-45   | 59568       | 2-79                        | 72728       | 2-73                  |
| 51564       | 2-25, 2-27, 2-47   | 59633       | 2-51                        | 72968       | 2-2, 2-9, 2-59        |
| 51813       | 2-49   | 59672       | 2-39                        | 72994       | 5-6, 5-31             |
| 52296       | 2-45   | 59767       | 2-88                        | 72996       | 5-19, 5-27            |
| 52386       | 4-3  | 59870       | 2-74                        | 72999       | 5-31                  |
| 52402       | 2-47, 2-71, 2-74   | 59965       | 3-9, 3-13                   | 73027       | 2-23                  |
| 52508       | 2-47   | 60587       | 4-3                         | 73061       | 2-23                  |
| 53078       | 2-33   | 60745       | 2-29                        | 73411       | 2-73                  |
| 53468       | 2-19, 2-25   | 60752       | 2-21                        | 73482       | 5-21                  |
| 53601       | 2-43   | 61891       | 4-3                         | 73512       | 5-11, 5-13, 5-15      |
| 53984       | 2-51   | 61923       | 3-7                         | 73565       | 5-17                  |
| 54009       | 3-21   | 63292       | 2-73                        | 73632       | 5-26                  |
| 54012       | 3-21   | 63416       | 2-74                        | 73634       | 5-8, 5-28             |
| 54121       | 2-65, 2-67   | 64173       | 2-49                        | 74068       | 3-5                   |
| 54345       | 2-33, 2-55   | 64379       | 2-63                        | 74077       | 2-59                  |
| 54390       | 2-41   | 64425       | 2-51                        | 74094       | 4-5, 4-7              |
| 54394       | 2-31   | 64655       | 2-23                        | 74095       | 4-7                   |
|             |  | 64886       | 2-43                        | 74098       | 4-7, 4-9              |
|             |  | 64887       | 2-43                        | 74099       | 4-7                   |
|             |  |             |                             | 74100       | 4-5, 4-7              |

| <b>Part Number</b> | <b>Page Number</b>                                 | <b>Part Number</b> | <b>Page Number</b>  |
|--------------------|--|--------------------|---------------------|
| 74119              | 4-9  | 79805              | 4-13                |
| 74120              | 4-9  | 79806              | 4-13                |
| 74174              | 4-7  | 79807              | 4-13                |
| 74180              | 4-3  | 79808              | 4-13                |
| 74183              | 4-19   | 79812              | 4-13                |
| 74185              | 4-19   | 79814              | 4-13                |
| 74192              | 4-19   | 79820              | 4-13                |
| 74193              | 4-19   | 81584              | 2-33                |
| 74196              | 4-19   | 82239              | 2-43                |
| 74222              | 4-19   | 82739              | 3-13                |
| 74225              | 4-3  | 82809              | 2-79                |
| 74226              | 4-3  | 82816              | 2-79                |
| 74229              | 4-3  | 82833              | 2-63                |
| 74230              | 4-3  | 83887              | 2-73                |
| 74231              | 4-19   | 84170              | 2-73                |
| 74232              | 4-19   | 84581              | 2-51                |
| 74237              | 4-3  | 86029              | 2-51                |
| 74243              | 4-19   | 86328              | 2-27, 2-57          |
| 74244              | 4-19   | 86332              | 3-5                 |
| 74245              | 4-19   | 86659              | 2-41                |
| 74248              | 4-3  | 86798              | 2-39                |
| 74250              | 4-5, 4-7   | 87097              | 2-7                 |
| 74454              | 2-55   | 87099              | 2-7                 |
| 74455              | 2-9, 2-25, 2-27,<br>2-33, 2-57, 2-63,<br>3-9, 3-13 | 87104              | 2-63                |
|                    |  | 87180              | 2-9                 |
| 74469              | 4-3  | 87181              | 2-2, 2-3, 2-5, 2-9  |
| 75128              | 2-15   | 87216              | 2-57                |
| 75305              | 2-39   | 87244              | 2-57                |
| 75430              | 2-39   | 87299              | 2-55                |
| 75934              | 2-73   | 87308              | 2-17, 2-65          |
| 75939              | 2-53   | 87333              | 2-7                 |
| 75968              | 2-23   | 87334              | 2-7                 |
| 76316              | 2-69, 2-75   | 87346              | 2-9                 |
| 76570              | 2-39, 2-49   | 87536              | 2-21                |
| 76960              | 2-17   | 87546              | 2-65, 2-67          |
| 77097              | 2-43, 2-63, 2-75                                   | 87581              | 2-17                |
| 77235              | 3-18   | 87585              | 2-53                |
| 78143              | 2-25   | 87624              | 2-55                |
| 78785              | 2-73   | 87631              | 2-47                |
| 79246              | 2-63   | 87689              | 2-2, 2-3, 2-5, 2-63 |
| 79711              | 4-15   | 87707              | 2-53                |
| 79729              | 4-9  | 87738              | 2-33                |
| 79731              | 4-15   | 87838              | 2-55                |
| 79739              | 4-15   | 87851              | 4-17                |
| 79740              | 4-15   | 87866              | 2-3, 2-5, 2-21      |
| 79784              | 4-17   | 87940              | 5-3                 |
| 79785              | 4-13   | 87948              | 2-9                 |
| 79786              | 4-13   | 87949              | 2-9                 |
| 79787              | 4-13   | 87983              | 2-53                |
| 79788              | 4-13   | 9001543            | 2-4                 |
| 79789              | 4-13   | 9001544            | 2-5                 |
| 79792              | 4-13   | 9001608            | 2-25, 2-55          |
| 79794              | 4-13   | 9003935            | 2-33                |
| 79795              | 4-13   | 9005081            | 2-15                |
| 79796              | 4-13   | 9005789            | 2-25                |
| 79800              | 4-13   | 9006178            | 5-21                |
| 79801              | 4-13   | 9006179            | 5-21                |
| 79802              | 4-13   | 9006180            | 5-21                |
| 79804              | 4-13   | 97031              | 2-41                |

**PART DESCRIPTION TO PAGE NUMBER CROSS REFERENCE LIST**

**A**

Adaptor Wldt, Vac Wand, 3-21  
 Adjusting Screw, 5-29  
 Air Cleaner Assy, 2-29  
 Alternator Bracket, 5-24  
 Alternator, 5-24  
 Angle Wldt, Front Mount, Die, 2-27  
 Angle, Baffle, 2-55  
 Angle, Bottom Stiffener, 2-59  
 Angle, Brace, 2-31  
 Angle, Cable Keeper, 2-49  
 Angle, Guide, 2-15  
 Angle, Mtg, Air Cleaner, 2-29  
 Angle, Mtg, Latch Pin, 2-17  
 Angle, Mtg, Muffler, 2-35  
 Angle, Radiator Mt, 2-31  
 Arm Assy, Lift W/Label, 2-57  
 Arm Wldt, Brush, Lh, 2-47  
 Arm Wldt, Lift, 2-51  
 Arm Wldt, Rh, 2-47  
 Arm, Brush, Adj, Lh, 2-49  
 Arm, Brush, Adj, Rh, 2-49  
 Arm, Safety, W/Label, 2-57

**B**

Backing Plate Kn, 2-41  
 Backplate Assy, 4-3  
 Backup Alarm Kit 6400, 12 V, 3-7  
 Baffle, 2-29  
 Balance Ring, 4-9  
 Ball Case, Gov, 5-13  
 Ball Joint, 250-28, 2-73  
 Ball, 4-13, 5-6, 5-13, 5-15  
 Band, Mtg, Air Cleaner, 2-29  
 Band, Pipe, 5-28  
 Bar-Flt .06T 1.00W 4.00L,Rbr, 2-65  
 Bar-Flt .06T 4.00W 5.00L,Rbr, 2-65  
 Barrel, 4-17  
 Battery, 12V, Cc Amps:600 Wet, 2-37  
 Bearing Ball, 5-13  
 Bearing Cam, 4-3  
 Bearing Kit, 4-19  
 Bearing Metal Side, 5-15  
 Bearing, .750 Bore, 2-47  
 Bearing, Ball, 0.67B 1.57D 0.47W, 2-55  
 Bearing, Ball, 1.18B 2.44D 0.6, 3-25,  
 3-26, 3-27, 3-28  
 Bearing, Cup&Cone Assy, 2-43  
 Bearing, Flange .500B, 2-23  
 Bearing, Journal, 2-57, 2-63  
 Bearing, Needle, 4-11  
 Bearing, Thrust - Fiberglass, 2-51  
 Bearing, Thrust, 4-3  
 Bearing, .50X.38, 2-49  
 Bearing-Ball, 0.67B 1.57D 0.47W, 2-55  
 Bearing-Ball, 1.18B 2.44D 0.63W, 2-41  
 Bearing-Ball, 1.38B 2.83D 0.67W, 2-47  
 Bearing-Flange, .500Bore .38L, 2-39  
 Bearing-Flange, 2 Hole 0.50Bore, 2-23  
 Bearing-Self Align 1.250 Bore, 2-57

Bearing, 4-17, 5-15, 5-18  
 Bellows, Solenoid .75-16, 2-53  
 Belt, Seat, 3-19  
 Belt, V, 07m 32.2l, 2-2, 2-3, 2-4, 2-5  
 Belt, V, 35.5l [3v, 3vx], 2-55  
 Belt, V, 9.5mm 37.4l [Ku], 2-2, 2-3, 2-4,  
 2-5  
 Block, Adjusting, 2-45  
 Block, 2-49  
 Bolt, Brg Case, 5-10  
 Bolt, Conn Rod, 5-15  
 Bolt, Cyl Head, 5-5  
 Bolt, Flywheel, 5-12  
 Bolt, Ubs, 5-30  
 Bolt, 4-9, 5-3, 5-4, 5-5, 5-6, 5-8, 5-10,  
 5-11, 5-12, 5-13, 5-15, 5-17, 5-18,  
 5-19, 5-20, 5-21, 5-24, 5-25, 5-26,  
 5-27, 5-29, 5-30, 5-31  
 Boot, Circuit Breaker, 3-3, 3-5, 3-7  
 Boot, Circuitbreaker, 2-21  
 Boot, Switch, Ignition, 2-21  
 Boot, Switch, 2-21  
 Boot, Batt. Term. 1-2Ga. Red, 2-37  
 Boot, Batt. Term. 1-2Ga. Black, 2-37  
 Boot, Circuit Breaker, 2-21  
 Bracket Wldt, Duct, 2-53  
 Bracket Wldt, Hinge, 2-61  
 Bracket Wldt, Latch, 2-17  
 Bracket Wldt, Sbdc, 3-15  
 Bracket Wldt, Sppt, Shkr, 2-67  
 Bracket Wldt, Steering, Tilt, 2-23  
 Bracket, Alarm, Backup, 3-7  
 Bracket, Angle, 2-19  
 Bracket, Cable Mount, 2-25  
 Bracket, Clip, 2-61  
 Bracket, Cylinder, Mtg, 2-63  
 Bracket, Door, Indicator, 3-9, 3-13  
 Bracket, Drive Motor, 2-43  
 Bracket, Flasher, 3-7  
 Bracket, Guard, 2-57  
 Bracket, Hinge, Brush Door, 2-11, 2-13  
 Bracket, Mtg, Back Plate, Rh, 2-63  
 Bracket, Mtg, Bearing, 2-47  
 Bracket, Mtg, Eng, Front, 2-25  
 Bracket, Mtg, Fuel Tank, 2-33  
 Bracket, Mtg, Motor, 2-51  
 Bracket, Mtg, Propel Cable, 2-73  
 Bracket, Mtg, Spring Cable, 2-73  
 Bracket, Mtg, 2-51  
 Bracket, Pump, 2-71  
 Bracket, Retainer, 2-73  
 Bracket, Safety Clip, 2-73  
 Bracket, Sbdc, 3-15  
 Bracket, Seat Adjuster, 2-15  
 Bracket, Shaker Switch, 2-53  
 Bracket, Stop, Brush Door, 2-11, 2-13  
 Bracket, Support, Cover, 2-59, 2-61  
 Bracket, Support, Fueline, 2-33  
 Bracket, Support, Shaker, 2-65  
 Bracket, Vac Wand, 3-21  
 Bracket, Mtg, Back Plate, Lh, 2-63

Bracket, 2-57  
 Brake Assy, 2-41  
 Breaker-Circuit, 15 Resetbl, 3-3, 3-5, 3-7  
 Breaker-Circuit, 15A Resetable, 2-21  
 Breather Elemnt, 5-7  
 Breather, Hyd Cap 5.2Ds Chain, 2-69  
 Breather, Hyd, 2-3, 2-5  
 Brkt, Rocker Arm, 5-29  
 Brush-Side Swp, Flatwire, 2-7  
 Brush-Side Swp, Polypropylene, 2-7  
 Brush-Side Swp, Soft Nylon, 2-7  
 Brush-Sweep, Natural Fiber, 2-7  
 Brush-Sweep, Polyester, 2-7  
 Brush-Sweep, Polypropylene and Wire,  
 2-7  
 Brush-Sweep, Polypropylene, 2-7  
 Brush-Sweep, Wedge, Polypropylene, 2-7  
 Brush-Sweep, Window, Polypropylene,  
 2-7  
 Bshg, Piston Pin, 5-15  
 Bulb #194, 2-9  
 Bulb, 2-59, 3-3, 3-5, 3-7  
 Bumper Wldt, Front, 2-61  
 Bumper, Rubber, 2-15  
 Bushing Assy, Flng, 4 Hole, 1.57B, Stl,  
 2-55  
 Bushing, Door Pivot, 2-63  
 Bushing, B20 D22 L24, 2-41  
 Bushing, 4-13, 5-11

**C**

Cable, Battery Pos 4Ga. 38L, 2-37  
 Cable, Battery, Negative, 2-37  
 Cable, Push-Pull, 2-73  
 Cable, Throttle, 2-19  
 Cable, 2-3, 2-5, 2-49, 2-51  
 Cabletie Mount, Adhesive, 2-31, 2-59  
 Cam Wldt, Speed Limit, 2-39  
 Cam, Nickel Plated Kn, 2-41  
 Camplate, 4-3  
 Camshaft Assy, 5-11  
 Cap Assembly, 4-13  
 Cap Assy, 5-22  
 Cap Screw, 4-5  
 Cap, Breather, Hyd, 5.2 Ds, 2-2, 2-4  
 Cap, End, 4-5, 4-19  
 Cap, Filler, Oil, 5-8  
 Cap, Fuel, 2-33  
 Cap, Hub, 2-41  
 Cap, Radiator, 14psi [Stant], 2-31  
 Cap, Screw, 4-7  
 Cap, Sealing, 5-3  
 Cap, Steering Wheel, 2-23  
 Cap, Valve Stem, 2-43, 3-24, 3-27, 3-28  
 Cap, Sealing, 5-5  
 Cap, Spark Plug, 5-21  
 Cap, 2-47, 5-5, 5-17  
 Carb Assy (Gas), 5-17  
 Carb Assy (Gas&LPG), 5-17  
 Carb Assy (LPG), 5-17



Cart, PSI CN CP, 4-15  
 Cartrdg,Oil Fil, 5-6  
 Case Assy,Main, 5-10  
 Case,Gear, 5-6  
 Chain, Sah#35 , 4Links, Cad 2.37, 3-7  
 Chain,Jack#12, 6Links,Znc, 3-21  
 Chain,Link#2/08 5Links,Br.Zinc, 2-9  
 Channel Wldt, Ohg, Lh, 3-11  
 Channel Wldt, Ohg, Rh, 3-11  
 Channel Wldt, 2-27  
 Channel, Fuel Drip Shield, 2-33  
 Channel, Latch, 2-17  
 Channel, Mounting, Steering La, 2-23  
 Channel, Mtg, Fan, 2-55  
 Channel, Recirculation Flap, 2-9  
 Cir Clip,Govslv, 5-13  
 Cir Clip,Pstpin, 5-15  
 Cir-Clip, 5-18  
 Circuitbreaker, 15a, Resetable, 2-21  
 Clamp Assy Dn, 2-29  
 Clamp, Cable 1.0 Dia, 2-27  
 Clamp, Cable 1.5 Dia, 2-27, 2-57  
 Clamp, Cable, Stl, 0.18d X 0.75w, 1hole, 2-25  
 Clamp, Cable, Stl, 0.69d X 0.62w, 1hole, 2-31  
 Clamp, Cable, Stl, 1.75d X 1.00w, 1hole, 2-19  
 Clamp, Hose, Heater, 5-8  
 Clamp,Cable .44D .62Wide, 2-31, 2-33  
 Clamp,Cord, 5-21  
 Clamp,Hose-4.0Dia.,Over Center, 2-55  
 Clamp,Hose, 5-28  
 Clamp,Tube-Double, 2-69  
 Clamp-Cable, .88Dia .56Wth, 2-27  
 Clamp-Cable, 0.38D 0.38W Stl, 3-7  
 Clamp-Cable, 0.38D 0.38W stl, 3-3  
 Clamp-Cable, 0.38Dia 0.38Wth, 3-21  
 Clamp-Cable, 0.75d 0.88w Stl, 2-25  
 Clamp-Cable, 1.00Dia. .62Wth, 2-19, 2-25  
 Clamp-Cable, 1.75d 1.0w Stl, 2-25  
 Clamp-Cable,.69Dia. 62Wth, 2-9, 2-19, 2-47  
 Clamp-Muff,For 1.75 Od Tube L, 2-35  
 Clamp-Muffler,For 1.37 Od Tube, 2-35  
 Clamp-Wormdrive, 0.25- 0.62D, 2-33  
 Clamp-Wormdrive, 0.81- 1.50D, 2-31  
 Clamp-Wormdrive, 1.06- 2.00D, 2-35  
 Clamp-Wormdrive, 1.56- 2.50D L, 2-29  
 Clamp-Wormdrive, 2.63- 4.50D, 2-53, 2-55  
 Clevis Pin, 4-17  
 Clevis,Adjust.0.25-28Th.Cad., 2-41, 2-51  
 Clip Spring Prop Arm, 2-57  
 Clip-Finger Grip, 3-21  
 Coil, 12V, 4-15  
 Coil,Ignition, 5-23  
 Collar,Crnkshft, 5-15  
 Collar, 5-20, 5-24  
 Collet,Vlv Sprn, 5-29  
 Column, Steering #2 10Lg Wire, 2-23  
 Comp Case,Gear, 5-6

Comp Crankshaft, 5-15  
 Comp Flywheel, 5-12  
 Comp Gear,Idle, 5-11  
 Comp Lever,Gov, 5-18  
 Comp LSp-Cnt, 5-20  
 Comp Oil Pan, 5-4  
 Cone, 4-13  
 Conn Rod Assy, 5-15  
 Cord Assy,Centr, 5-21  
 Cord, Sponge, 2-3, 2-5  
 Cord,Plug 1, 5-21  
 Cord,Plug 2, 5-21  
 Cord,Plug 3, 5-21  
 Coupler Assy, 5-24  
 Coupler, Hyd Pump, 2-71  
 Coupling Assy, Flywheel, 2-27  
 Cover, Hopper, 2-61  
 Cover, O-Ring, 4-3  
 Cover, Trunion, 4-3  
 Cover, Valve, 5-8  
 Cover,Brg Case, 5-10  
 Cover,Cyl Head, 5-7  
 Cover,Exhaust, 5-30  
 Cover,Thermost, 5-26  
 Cover, 4-3, 5-13, 5-18, 5-21, 5-31  
 Crankcase Assy, 5-3  
 Crankshaft Bearing, 5-15  
 Crescent Ring, 4-11  
 Cup Assy Dn, 2-29  
 Cushion, 5-20  
 Cylinder, Hyd 2.5B (See Breakdowns), 2-57  
 Cylinder, Hyd 2.5B 13.5S 2500, 4-17  
 Cylinder, Hyd, 2.0b 08.0l 04.00strk 2500, 2-63  
 Cylinder, Hyd, 2.0b,15.0l,08.00strk,1500, 2-43  
 Cylinder, Hyd, Hopper Lift, 2-57  
 Cylinder-Hyd2.0X8.0Da1500Psi, 2-43

**D**

Damper Plate, 2-53  
 Damper Weld., 2-53  
 Dampner, Engine, 2-27  
 Deflector, Hopper, Lh, 2-59  
 Deflector, Hopper, Rh, 2-59  
 Detent Adaptr, 4-13  
 Diode, Elec, Plug, 2-87  
 Distr Assy,Air, 5-21, 5-22  
 Door Wldt, Dump, 2-63  
 Door Wldt, Lh, 2-13  
 Door Wldt, Rh, 2-11  
 Door, Access W/Label, 2-59  
 Drain Cock,.25Npt Wh#120 Angl, 2-31  
 Draincock Asy, 5-3  
 Drive Kit, Vacfan, Ci [6400 Dsl], 2-25, 2-55  
 Drive Shaft, 4-11  
 Drive, 4-5, 4-7, 4-9, 4-19  
 Drv Gear,Oilpmp, 5-3  
 Duct, Vinyl 14.0, 3-5  
 Duct, Vinyl 26.0, 3-5

Dust Control Kit, Side Brush, 3-15

**E**

Element, Air Filter, 2-2, 2-4, 2-29  
 Element, Breather, 5-8  
 Element, Filter, Air, 2-3, 2-5  
 Element, Filter, Fuel, 2-3  
 Element, Filter, 3-13  
 End Cap, 4-7  
 End Housing, 4-11  
 Eng Mtg Kit, Rear Diesel, 2-27  
 Engine Hook, 5-5  
 Engine, Diesel Kubota, (See Engine Breakdown), 2-25  
 Engine, Dsl, Kubota D1005 [2008], (See Engine Breakdown), 2-25  
 Extinguisher Kit, Fire 6400, 3-16  
 Extinguisher, Fire, 3-16

**F**

Fan Wldt, Housing, 2-55  
 Fan, 5-27  
 Filter Assy, Fuel, Diesel, 2-33  
 Filter Assy, Spin-On 10Micron, 2-69  
 Filter Assy, Spin-On, 3-13  
 Filter, Fuel, Element, 2-2, 2-4, 2-5, 2-33  
 Filter, Fuel, 2-2, 2-3, 2-4, 2-5  
 Filter, Hydraulic Oil, Spin On, 2-2, 2-4, 2-69  
 Filter, Oil, Hyd, 2-3, 2-5  
 Filter, Panl, Dust, 3.6 X 20.0 X 30.0, 2-2, 2-3, 2-5, 2-65, 2-67  
 Filter, Panl, Syn, 4.2 X 20.0 X 30.0, 2-67  
 Fitting, Brass E90, 2-33  
 Fitting, Brs, Str, Pm02/lf05, 2-33  
 Fitting, Plug, Org, #6, Valve, 4-21  
 Fitting, Plug, 5-5  
 Flange Bearing 1.00 Bore, 2-57  
 Flange Mounting, 4-5, 4-7  
 Flange, Bearing, 2-47, 2-55  
 Flange,Air Cln, 5-17  
 Flange,Carb, 5-17  
 Flange,Water, 5-26  
 Flap Recirculation, 2-2, 2-9  
 Flap, Recirculation, 2-3, 2-5  
 Flap, Tire 2F 500, 2-43, 3-24, 3-27, 3-28  
 Flasher, 12v, 3-7  
 Frame, Ic, 2-9  
 Ftg Cap Npt 02Pf, 2-29  
 Ftg, Banjo, Fuel, 2-33  
 Ftg, Breather, 3-13  
 Ftg, Grease.25-28Th Strt .47L, 2-57  
 Ftg, Grease.25-28Th Strt .63L, 2-43  
 Ftg,Brass,St Bm03/Pm02, 3-13  
 Ftg-Brs E45 Pm02/Pf02, 3-13  
 Ftg-Brs E90 lf03/Pm02, 2-33  
 Ftg-Brs Str lf05/Pm02, 2-33  
 Ftg-Hyd E45 Jm04/Om04, 2-63  
 Ftg-Hyd E45 Jm06/Om06, 2-43  
 Ftg-Hyd E45 Jm08/Om10, 2-69

## CROSS REFERENCE

Ftg-Hyd E45 Jm10/Om10, 2-43  
Ftg-Hyd E90 Jm04/Om04, 2-43, 2-63,  
2-75  
Ftg-Hyd E90 Jm04/Om06, 2-57, 2-74  
Ftg-Hyd E90 Jm06/Om06, 2-43, 2-57,  
2-74  
Ftg-Hyd E90 Jm06/Om08, 2-71  
Ftg-Hyd E90 Jm08/Om10, 2-51  
Ftg-Hyd E90 Jm08/Om12, 2-69  
Ftg-Hyd E90 Jm12/Om12, 2-69  
Ftg-hyd Plg Jm08, 2-25  
Ftg-Hyd Rst Jm04/.047, 2-57  
Ftg-Hyd Str Jm04/Jf06, 2-23  
Ftg-Hyd Str Jm04/Om04, 2-47, 2-75  
Ftg-Hyd Str Jm04/Om06, 2-74  
Ftg-Hyd Str Jm06/Jf08, 2-51  
Ftg-Hyd Str Jm06/Om06, 2-23, 2-75  
Ftg-Hyd Str Jm06/Om08, 2-47, 2-71,  
2-74  
Ftg-hyd Str Jm08/jf12, 2-25  
Ftg-Hyd Str Jm08/Om08, 2-71, 2-75  
Ftg-Hyd Str Jm08/Om12, 2-69  
Ftg-Hyd Str Jm10/Om10, 2-43  
Ftg-Hyd Str Jm10/Om12, 2-71  
Ftg-Hyd Str Jm12/Om10, 2-71  
Ftg-hyd Str Metric Omm22/jm12, 2-25  
Ftg-Hyd Str Pm02/Pm02, 2-33  
Ftg-Hyd Str Pm04/Pf02, 2-33  
Ftg-Hyd Tee Jm06Jfjm, 2-74  
Ftg-Hyd Tee Jm06Jmjf, 2-23  
Ftg-Hyd Tee Jm06Jmom, 2-69, 2-75  
Ftg-Str Npt/Npt 02Pf-06Pm, 2-33  
Fuel Gauge, 2-21  
Fuel Line, Die Engine, 2-33  
Fuel Line, Die. Tank-Pump, 2-33  
Fuel Pu.Cvr Pl, 5-17  
Fuelline, 2-33  
Fuse, 30A 32V, 2-87

### G

Gasket, 2.7D 1.5B.12T 5/ 2.1Bc, 2-33  
Gasket, Breather, 5-8  
Gasket, Cover, Valve, 5-8  
Gasket, F/ Bolt, 5-8  
Gasket, Hyd Cap, 2-69  
Gasket, Neo, .06, 02.00w 02.00l, Adh,  
2-67  
Gasket,Brg Case, 5-10  
Gasket,Carb, 5-17  
Gasket,Cyl Head, 5-5  
Gasket,Hd Cover, 5-7  
Gasket, 5-4, 5-7, 5-13, 5-18, 5-22, 5-26,  
5-30, 5-31  
Gauge Kit, Hourmeter, F/31988 [10k],  
2-21  
Gauge, Hourmeter, 12-60vdc, Analog  
[10k], 2-21  
Gear Collar,Idl, 5-11  
Gear Shaft,Idle, 5-11  
Gear, Gc .750, 4-11  
Gear,Cam, 5-11  
Gear,Crank, 5-15

Gear,Inj Pump, 5-13  
Geroler, 4-9  
Geroter, 4-5  
Gerotor Set, 4-7  
Gerotor, 4-19  
Glow Plug Timer, 2-21  
Grip, Vinyl .250 X .750 X 4.00, 2-74  
Grip, Vinyl, .375ld X 2.75, 2-53  
Grommet, Rbr, 0.38ld, For .12 Matl, 3-5  
Grommet, Rbr, 0.56ld For .13matl, 3-7  
Grommet, Rbr, 0.69ld, For .25matl, 3-7  
Grommet, Rbr1.62ld,For .13Matl, 2-33,  
2-55  
Grommet,Rbr,0.62ld,For .06Matl, 3-13  
Grommet,Rbr,0.69ld,For .25Matl, 2-59,  
2-61  
Grommet,Rbr,1.06ld,For .19Matl, 2-73  
Gskt,Air Clean, 5-17  
Gskt,Brg Case, 5-10  
Gskt,Fuel Pump, 5-17  
Gskt,In-Manifold, 5-31  
Gskt,Muffler Na, 5-30  
Gskt,Oil Pump, 5-3  
Gskt,Water Flng, 5-26  
Gskt,Water Pump, 5-27  
Guard Kit, Overhead, 3-11  
Guard, Brush, 2-51  
Guard, Exhaust, 2-35  
Guard, String, Brush Motor, 2-51  
Guide, Use And Care, 2-88

### H

Handle Lift Brush, 2-23  
Handle Wldt, Side Brush, 2-49  
Handle, Control, Valve, 2-74  
Harness Jumper, Backup Alarm, 3-7  
Harness, Hopper, 2-87  
Harness, Main, Liq, Diesel, 2-87  
Harness, Warning, Light Ohg, 6400, 3-5  
Harness, Warning, Light, 3-3  
Head, Cyl, 5-5  
Head, 4-17  
Headlight Assy, 12V, 2-59  
Headlight Assy, 3-7  
Hinge Set, Access, Door, Painted, 2-59  
Hinge, Access, Door, Painted, 2-59  
Hinge, Door, Brush, 2-11, 2-13  
Hinge, Leaf, 2-63  
Hinge, 2-15  
Holder,Fork Lev, 5-19  
Hopper Door Light Kit, 12V, 3-9  
Hopper, 2-59  
Horn, 12V, 2-53  
Horn, Back-up Alarm, 3-7  
Hose, Air Intake, 2-9  
Hose, Flexflyte, Formed, 2-3, 2-5, 2-55  
Hose, Flexible 4.0 Id X 8.0 Lg, 2-53  
Hose, Flexible, 2-3, 2-5  
Hose, Fuel, 0.31ld 05.0L, 2-33  
Hose, Fuelline, 10.0L, 2-33  
Hose, Hyd, Med04, Jf04e45/Jf04str, 018.0,  
2-79

Hose, Intake, Die, 2-29  
Hose, Radiator, Lower, 2-31  
Hose, Radiator, Upper, 2-31  
Hose, Rbr .188 I.D. X 29.0 Lg, 2-33  
Hose, Vacuum .16 Id X 54.0 Lg, 3-13  
Hose, Vacuum, With Cuff, 2-3, 2-5  
Hose&2Cuff Assy,Vinyl2.0ld10Ft, 3-21  
Hose&2Cuff Assy,Vinyl4.0ldx 50, 2-55  
Hose-Hyd Ar 04 Jf/J9, 2-79  
Hose-Hyd Ar 06 Jf/J9, 2-79  
Hose-Hyd Ar 10 Jf/J4, 2-79  
Hose-Hyd Ar 10 Jf/J9, 2-79  
Hose-Hyd Low 08, 2-79  
Hose-hyd Low Jf/jf, 2-25  
Hose-Hyd Low06 Jf/J4, 2-79  
Hose-Hyd Low06 Jf/J9, 2-79  
Hose-Hyd Med 04, 2-79  
Hose-Hyd Med04 Jf/J4, 2-79  
Hose-Hyd Med04 Jf/J9, 2-79  
Hose-Hyd Med04 Jf/Jf, 2-79  
Hose-Hyd Med06 Jf/J9, 2-79  
Hose-Hyd Med06 Jf/Jf, 2-79  
Hose-Hyd Med06 Spcl 38.0Jf/J19, 2-79  
Hose-Hyd Med06, 2-79  
Hose-Hyd Med08 Jf/J4, 2-79  
Hose-Hyd Med08 Jf/J9, 2-79  
Hose-Hyd Suc12 Jf/J4, 2-79  
Hose-Hyd, 2-79  
Hourmeter, 2-21  
Housing, Brg, 4-9  
Housing, Flywheel, Die, Mach, 2-27  
Housing, Support, Drive, 2-43  
Housing, Valve, 4-9  
Housing, 4-5, 4-7, 5-22  
Hub & Stud Assy, 2-43  
Hub Assembly, 3-25, 3-26, 3-27, 3-28  
Hub, Brush Adaptor, 1.00B, 2-51  
Hub, Wheel w/studs, 3-25, 3-26, 3-27,  
3-28  
Hub, 2-73

### I

Igniter Assy, 5-22  
Impeller, 9.00 Dia X 1.40w x0.376B, 2-55  
Indicator Kit, 12V, 3-13  
Indicator Service Air Filter, 3-13  
Insert, Steering Wheel, 2-23  
Instr Motor Seal Kit, 4-11  
Instr. Repair Info, Motor, 4-5, 4-7  
Instr. Valve Repair Info, 4-13  
Instr.Repair Info, 4-19  
Insulation S/Foam, 3-11  
Insulation, Sound Foam, Side, 2-19  
Insulation, Sound Foam, 2-15  
Insulation, Soundfoam, 2-55  
Isolator, Exhaust, 2-35  
Isolator, Rear, 2-25

### J

Joint Pipe, 5-6

**K**

Keeper, 4-17  
 Key Feather, 5-3  
 Key Set, Switch, 2-21  
 Key Square 0.12 0.12 00 1.0 Lg, 2-55  
 Key Square 0.18 0.18 00.75 Lg, 2-55  
 Key, Square, 4-11  
 Key, Switch, Set Of Two, 2-3, 2-5  
 Key, Woodruff, 0.19 0.75, [Asa#0606], 2-55  
 Key-Wdruff 0.25 1.00 Asa#0808, 4-7  
 Key, 4-3, 4-9  
 Keyway, 5-11, 5-13, 5-15  
 Kit, Ci, Fuel Filter Removal [6400D], 2-33  
 Kit, Detent In, 4-13  
 Kit, Repair, Shaft Assy, 2-55  
 Kit, Repair, Shaft W/ Key, 2-55  
 Knob, Tapered, 2-45, 2-49

**L**

Label Set, Info & Hazard, 2-88  
 Label Set, Operational, Die, 2-88  
 Label, Numerals 6400, 2-88  
 Label, Tennant Logo, 2-59  
 Lamp, Indicator 12 Volt, 2-21, 3-9, 3-13  
 Lanyard Assy, 2-3, 2-5, 2-15  
 Latch Wldt, Shroud, 2-17  
 Latch, Hopper, 2-61  
 Latch, Swell, 2-3, 2-5, 2-11, 2-13  
 Latch, 2-17  
 Lens, Amber, 3-3, 3-5  
 Lens, Revolving Light, Blue, 3-3, 3-5  
 Lens, Revolving Light, Red, 3-3, 3-5  
 Lever Wldt, Brake, 2-41  
 Lever Wldt, Brush Lift, 2-45, 2-49  
 Lever, Adjustable, Plastic, 2-45, 2-49  
 Lever, Brake Stop, 2-41  
 Lever, Brake, 2-41  
 Lever, Brush Lift, 2-45  
 Lever, Vac Fan, 2-53  
 Lever, Assy, Fork, 5-19  
 Lever, Gov, 5-18  
 Light Assy, Tail, 2-9  
 Light Inst/Clr 12V, 2-21  
 Light Kit, Revolving, 6400, 3-3  
 Light Kit, Revolving, Ohg, 6400, 3-5  
 Light, Rev. Amber 12V - Rework, 3-3, 3-5  
 Link Assy, Valve Handle, 2-74  
 Link, Main Brush Lift, 2-45  
 Link, Speed Limit, 2-39

**M**

Maint Kit, 400hr [6400 Dsl, Kubo], 2-4  
 Maint Kit, 800hr [6400 Dsl], 2-5  
 Maint Kit, Dump Door Seals, 2-2  
 Maint Kit, Hopper Door Skirts, 2-2  
 Maint Kit, Hoppr Filter & Seals, 2-2  
 Maint Kit, M Br Door Skirts, 2-2  
 Maint Kit, Recirculation Flap, 2-2  
 Manifold, Exh, 5-30

Manifold, Inlet, 5-31  
 Manual Pkg 6400D-Liq, Japanese, 3-29  
 Manual Pkg 6400D-Liq, 3-29  
 Manual, Cd-Rom, Service, All, 3-29  
 Manual, Eng Service, [Kubota 73.6MM], 3-29  
 Manual, Operator 6400D-Liq, French, 3-29  
 Manual, Operator 6400D-Liq, Spanish, 3-29  
 Manual, Service 6400G/D, 3-29  
 Metal Side, 5-15  
 Metal, Crankpin, 5-15  
 Metal, Crkpin-.2, 5-15  
 Metal, Crkpin-.4, 5-15  
 Metal, Crkshf-.2, 5-15  
 Metal, Crkshf-.4, 5-15  
 Metal, Crmksh-.2, 5-15  
 Metal, Crmksh-.4, 5-15  
 Metal, Crnkshft, 5-15  
 Metal, Side+.2Mm, 5-15  
 Metal, Side+.4Mm, 5-15  
 Molding, Rigid, 2-9  
 Molding, Trim 11-14Ga 5.00, 2-9, 2-13  
 Molding, Trim 16Ga & thinr 2.2, 2-55  
 Molding, Trim 3/16-5/16 10.0, 3-11  
 Molding, Trim 3/16-5/16 2.75, 3-5  
 Molding, Trim 3/16-5/16 5.0, 2-19  
 Molding, Trim, Leather, Black, 3-11  
 Motor, Ele, 12vdc 1375rpm 0.08hp 08.4a, 2-67  
 Motor, Hyd Gear (See Breakdowns), 2-43, 2-47, 2-51  
 Motor, Hyd Gear In 02.2 B 1500, 4-7  
 Motor, Hyd Gear In 09.7 B 1500, 4-5  
 Motor, Hyd Gear In 18.6 B 3000, 4-9  
 Motor, Elec Shaker 12V, 2-65  
 Muffler Assy, Vac Fan Wldt Kub, 2-55  
 Muffler, 2-35

**N**

Nut Assy Dn, 2-29  
 Nut Hex, Lock, M3 X 0.5, NI, 2-19  
 Nut Hxlocnyln M 4X 0.7 Reg Ss, 2-59  
 Nut Hxlocnyln M 6X1.0 Reg Ss, 3-21  
 Nut Wheel .50-20 60 Angle, 2-43  
 Nut, Cap, 5-7  
 Nut, Cart., Lng Cp, 4-15  
 Nut, Hex, Cap, 5-8  
 Nut, Hex, Flng, M10 X 1.5, 2-57  
 Nut, Hex, Flng, M10 X 1.50, 3-15  
 Nut, Hex, Flng, M12 X 1.75, 3-11  
 Nut, Hex, Flng, M6 X 1.0, 2-25, 2-55  
 Nut, Hex, Flng, M6 X 1.00, 2-33  
 Nut, Hex, Flng, M8 X 1.25, 2-15, 2-19, 2-27, 2-29, 2-31, 2-33, 2-45, 2-53, 3-7, 3-15  
 Nut, Hex, Jam, .50-13, 2-17  
 Nut, Hex, Lock, .25-20, NI, 2-33, 2-73  
 Nut, Hex, Lock, .31-18, NI, Thin, 3-18  
 Nut, Hex, Lock, .31-18, NI, 2-17  
 Nut, Hex, Lock, .31-24, NI, 2-11, 2-13

Nut, Hex, Lock, .50-13, NI, 2-25  
 Nut, Hex, Lock, .75-10, NI, 2-43, 2-47  
 Nut, Hex, Lock, M10 X 1.5, NI, Ss, 2-43, 3-27, 3-28  
 Nut, Hex, Lock, M10 X 1.5, NI, 2-31, 2-43, 2-49, 2-57, 2-59, 2-61, 3-19  
 Nut, Hex, Lock, M12 X 1.75, NI, 2-41  
 Nut, Hex, Lock, M12 X 1.75, NI, 2-27, 2-43, 2-47  
 Nut, Hex, Lock, M4 X 0.70, NI, 2-65, 2-67, 3-13, 3-21  
 Nut, Hex, Lock, M5 X 0.80, NI, 2-61, 3-9, 3-13  
 Nut, Hex, Lock, M6 X 1.0, NI, 2-21, 2-55, 2-57, 2-59, 2-65  
 Nut, Hex, Lock, M6 X 1.00, NI, 2-17, 2-23, 2-33, 2-41, 2-53, 2-74, 3-15  
 Nut, Hex, Lock, M8 X 1.25, NI, 2-9, 2-25, 2-35, 2-39, 2-41, 2-45, 2-47, 2-49, 2-51, 2-57, 2-59, 2-61, 2-63, 2-67, 2-71, 2-73, 3-7, 3-15, 3-17  
 Nut, Hex, Std, .25-28, 2-73  
 Nut, Hex, Std, .75-16, 2-43  
 Nut, Hex, Std, #06-32, 3-7  
 Nut, Hex, Std, M3 X 0.5, 8, 2-19, 2-21, 2-57  
 Nut, Hex, Std, M8 X 1.25, 2-65  
 Nut, Valve, Cartridge, 4-21  
 Nut, Flange, 5-3  
 Nut, Ubs, 5-30  
 Nut-Hx Flexloc .31-24 Thin Pltd, 2-55  
 Nut-Hx Jam .25-28 Pltd, 2-41, 2-51  
 Nut-Hx Jam, M20X1.5, 2-23  
 Nut-Hx Std 10-32 G2 Pltd, 2-9  
 Nut-Hx flexloc .50-13 Thin Pltd, 2-51  
 Nut-Hxlocnyln .25-20 Thin Pltd, 2-73  
 Nut-Hxlocnyln .25-28 Reg Pltd, 2-73  
 Nut-Hxlocnyln .31-18 Thin Pltd, 2-15  
 Nut-Hxlocnyln 06-32 Regss18-8, 2-53  
 Nut-Hxlocnyln M16X2.0 Reg Pltd, 2-51  
 Nut-Hxslot .75-16 Pltd, 4-7  
 Nut-Hxslot .75-16 Pltd, 2-41  
 Nut-Hxslot 1.00-20 Pltd, 2-43  
 Nut-Wheel .50-20 60 Angle, 3-25, 3-26, 3-27, 3-28  
 Nut, 4-9, 5-7, 5-17, 5-18, 5-20, 5-24, 5-25, 5-28, 5-29

**O**

O-Ring Gland, 2-71  
 O-Ring, 5-4, 5-6, 5-7, 5-15  
 Ohm Sending Unit, 2-33  
 Oil Cartridge, 2-2, 2-3, 2-4, 2-5  
 Oil Gauge, 5-9  
 Oil Pump Assy, 5-3  
 Oil Seal, 5-6  
 Oil Shield, Brth, 5-7  
 Oil Slinger, 5-15  
 Oil Switch, 5-3  
 Oil, Hydr. Shp 15/40 1Gal, 2-3, 2-5

## P

Pad, Tread, 2-39  
 Pad, 2-41  
 Paint, Airdry, Blk, 12oz, 2-2  
 Paint, Airdry, Gray, 12oz, 2-2  
 Paint, Airdry, Iron Gray, 12oz, 2-2  
 Paint, Airdry, Off-White, 12oz, 2-2  
 Paint, Airdry, Teal, 12oz, Solid, 2-2  
 Panel Wldt, Oper Station Floor, 2-19  
 Panel Wldt, Oper Station Instr, 2-19  
 Panel Wldt, Oper, Ic W/Label, 2-19  
 Panel Wldt, Perma-Filter, 2-59  
 Panel Wldt, Top, Ohg, 3-11  
 Panel, Debris, Lh, 2-59  
 Panel, Debris, Rh, 2-59  
 Panel, Louver, 2-15  
 Panel, Shroud, 2-31  
 Pedal Wldt, Lower, 2-39  
 Pedal, Upper, 2-39  
 Performance Pkg 400Hr Diesel, 2-2  
 Pin Assy, Clevis, Hopper Lift, 2-57  
 Pin Assy, Side Brush W/Clip, 2-51  
 Pin Hair Cotter .056Dx1.1L, 2-51  
 Pin, Clevis .31 Dia X 4.50 Lg, 2-39  
 Pin, Cotter, .094 X 1.00, 2-49  
 Pin, Cotter, .125 X 0.75, 2-53  
 Pin, Cotter, .125 X 1.00, 2-41, 2-63  
 Pin, Cotter, .125 X 1.25, 2-45, 2-47  
 Pin, Cotter, .187 X 1.75, 2-57  
 Pin, Cotter, .250 X 1.25, 2-57  
 Pin, Dowel, 4-3  
 Pin, Drive, 4-11  
 Pin, Hair Cotter 13D 3 Wire, 2-39  
 Pin, Pipe, 5-3  
 Pin, Pivot, 2-43  
 Pin, Roll .31 X 0.75, 2-27  
 Pin, Roller, 2-39  
 Pin, Straight, 5-3  
 Pin, Clevis, 0.25 Dia. X 0.75 Lg, 2-41, 2-51  
 Pin, Clevis, 0.37 Dia. X 2.00 Lg, 2-49  
 Pin, Clevis, 0.37 Dia. X 2.12 Lg, 2-49  
 Pin, Clevis, 0.50 Dia. X 1.25 Lg, 2-45  
 Pin, Clevis, 0.50 Dia. X 3.50 Lg, 2-63  
 Pin, Clevis, 0.50 Dia. X 6.00 Lg, 2-63  
 Pin, Pipe, 5-3  
 Pin, Piston, 5-15  
 Pin, Roll, .25Odx0.75L, .250/.256, 2-57  
 Pin, Roll, .25Odx3.50L, .250/.256, 2-47  
 Pin, 2-57, 4-9, 4-19  
 Pipe Clamp, 5-7  
 Pipe Joint, Brth, 5-7  
 Pipe Pin, 5-3  
 Pipe, Exhaust, Die, 2-35  
 Pipe, Breather, 5-7  
 Pipe, Water Retn, 5-28, 5-31  
 Pipe, 5-21  
 Pist Rng Assy+.5, 5-15  
 Piston +.5Mm, 5-15  
 Piston Ring Assy, 5-15  
 Piston Rod, 4-17  
 Piston, 4-17, 5-15  
 Plain Washer, 5-6, 5-29  
 Plate - Hose Support, 2-43

Plate Asy, Cntrl, 5-20  
 Plate Seal, 2-47  
 Plate Wldt, Back, Hopper, 2-63  
 Plate Wldt, Brake Lever, 2-41  
 Plate Wldt, Pivot, Lh, 2-59  
 Plate Wldt, Pivot, Rh, 2-59  
 Plate Wldt, Rear Mt, Lh, Die, 2-25  
 Plate Wldt, Rear Mt, Rh, Die, 2-25  
 Plate, Breather, 5-8  
 Plate, Cover, Headlight Lh, 2-59  
 Plate, Cover, Headlight, Rh, 2-59  
 Plate, Drip Shield, Muffler, 2-35  
 Plate, Fire Ext Mtg, 3-16  
 Plate, Floor W/Tread, 2-19  
 Plate, Keeper, 2-61  
 Plate, Latch, 2-61  
 Plate, Motor, Shaker, 2-65  
 Plate, Mtg, Light, 2-21  
 Plate, Mtg, Seat Belt, 3-19  
 Plate, Mtg, Shaker, 2-65  
 Plate, Mtg, Steering Boot, 2-23  
 Plate, Seal, Hyd Drive, 2-13  
 Plate, Shaker, Bar, 2-65  
 Plate, Shaker, Side, 2-65  
 Plate, Spacer, Lift Arm, 2-57  
 Plate, Support, Bumper, 2-61  
 Plate, Throttle Link, 2-25  
 Plate, Vac Fan W/Label, 2-55  
 Plate, Valve, 4-3  
 Plate, Wear, 2-59, 4-19  
 Plate, Brthr Elm, 5-7  
 Plate, Rear End, 5-12  
 Plate, 2-19, 4-9  
 Plug & O-Ring, 4-13  
 Plug #10, 4-7  
 Plug #4, 4-7, 4-9  
 Plug #6, 4-15  
 Plug Assembly, 4-19  
 Plug Assy, Byd En, 2-74  
 Plug Assy, Byd, 4-13  
 Plug Gage #6, 4-13  
 Plug S/A, 4-3  
 Plug Tube, 2-47  
 Plug Weld, Brush Drive, Sweep, 2-47  
 Plug Wldt, Idler, 2-47  
 Plug, Cap, 2-9  
 Plug, Drain, 3-21  
 Plug, Lee, 4-11  
 Plug, Pin, 5-3, 5-5  
 Plug, 5-3, 5-4, 5-6, 5-7, 5-26, 5-31  
 Plugbtn .56H .03-12 Blacknyl, 2-9  
 Plunger, 4-13  
 Pulley, Fan Driv, 5-24  
 Pulley, Fan, 5-27  
 Pulley, 2-49  
 Pump Assy, Water, 5-27  
 Pump Housing Assy, 4-3  
 Pump, Fuel, 2-33  
 Pump, Hyd Gear (See Breakdowns), 2-71  
 Pump, Hyd Gear Ex2 0.39 R 1600, 4-11  
 Pump, Hyd Piston (See Breakdowns), 2-71  
 Pump, Hyd Piston V 1.24 R 2000, 4-3

Push Rod, 5-11

## R

Race Thrust, 4-5, 4-7  
 Race, Bearing, 4-3  
 Race, Inner Bearing, 4-3  
 Radiator Guard W/Label, 2-31  
 Radiator, Alm, 2-31  
 Radiator, 2-31  
 Rail, Slide, Seat, W/Latch, 2-15  
 Rail, Slide, Seat, 2-15  
 Relay, Shrouded, 12 Vdc, 2-21  
 Relief Valve, 4-3  
 Relief Vlv Assy, 4-19  
 Repair Info, Motor, 4-9  
 Repair Info, Pump, 4-3  
 Repair Info, Cyl, 4-17  
 Replacement Kit, Armrest, 3-18  
 Replacement Kit, Rear Drive Housing F/360070, 2-43  
 Reservoir Assy, Hyd W/Label, 2-69  
 Retainer, Top Hopper Seal, 2-9  
 Retainer, Spring, 5-29  
 Rim Assembly, 3-24, 3-28  
 Rim Assy, 4.25" Bead X .188 Stl, 3-27  
 Rim Assy, 4.25" Bead X .188 Stl, 2-43  
 Ring Gear, 5-12  
 Ring, Retain, Ex0.50Od, Heavyd, 2-23  
 Ring, Retain, Ex, A20X1.2 D471, 2-41  
 Ring, Retaining, Intl 2.00Dia, 2-57  
 Ring, Retaining, 2-57, 4-13, 4-19  
 Ring, Retain, Ex, 0.375D, Klipping, 2-49  
 Rivet, Plastic .250X.898, 2-2, 2-9, 2-59  
 Rocker Arm Assy, 5-29  
 Rod End .250-28 .25Dia, 2-73  
 Rod End, 4-17  
 Rod Wldt, Cover, 2-59  
 Rod Wldt, Damper, 2-53  
 Rod, Latch, Steering, Tilt, 2-23  
 Rod, Gov Joint, 5-18  
 Rod-End .75-16 .75 Dia, 2-43  
 Rod-End, .75-16rh Fem 0.75b, 2-43  
 Rod, 2-41  
 Rotating Kit, 4-3  
 Rotor Assy, 5-22

## S

Scr Flt M 8X1.25 16, 2-39  
 Scr Hex M10X1.25 35 8.8, 2-27  
 Scr Hexssm 10X1.5 25, 2-57  
 Scr Hexssm 6 X 1.0 16 Nyloc, 2-15  
 Scr Hexssm 6X1.0 12, 2-61  
 Scr Hexssm 6X1.0 25, 3-21  
 Scr Hexssm 8 X 1.25 16, 2-17  
 Scr Hexssm 8 X 1.25 25 Nyloc, 2-35  
 Scr Hexssm 8X1.25 16, 2-61  
 Scr Hexssm 8X1.25 25, 2-9, 2-51, 2-63  
 Scr Hexssm 8X1.25 40, 2-63  
 Scr Hexssm 8X1.25 55, 2-61

- Scr Hexssm 8X1.25, 2-11, 2-13, 2-47, 2-59, 2-63, 2-65  
 Scr Hexssm10X1.5 30, 2-59  
 Scr Hexssm10X1.5 40, 2-61  
 Scr Pan Ssm 3X0.5 25, 2-57  
 Scr Pan Ssm 4X0.7 25, 2-59  
 Scr Panssm 4X0.7 20, 2-59  
 Scr Soc M 8X1.25 30, 2-27  
 Scr, Flt M12X 1.75 80, 2-47  
 Scr-Hex .25-20X0.75 Sems Pltd, 2-17, 2-69  
 Scr-Hex .38-16X1.25 Nylon Loc, 2-51, 2-71  
 Scr-Hex .75-10X2.50 Full Thd, 2-47  
 Scr-Hex M10X1.25 20 8.8 Pltd, 2-25, 2-35  
 Scr-Hex M10X1.25 25 8.8 Pltd, 2-25  
 Scr-Hexssm 6X1.0 16 Nylonloc, 2-23  
 Scr-Hexssm 6X1.0 20 Nylonloc, 2-47  
 Scr-Hexssm 8X1.25 16 Nylon Loc, 2-11, 2-13, 2-65  
 Scr-Hexssm 8X1.25 20 Nylnloc, 2-9, 2-63, 2-65, 2-73  
 Scr-Hexssm 8X1.25 25 Nylnloc, 2-9, 2-65  
 Scr-Hx Fmgm 6X1.0 12, 2-9, 2-25, 2-27, 2-33, 2-57, 2-63, 3-9, 3-13  
 Scr-Hx Fmgm 6X1.0 20, 2-57  
 Scr-Hxfmgm 6X1.0 16 Pltd, 2-59  
 Scr-Hxfmgm 6X1.0 20 Pltd, 2-47, 2-63, 2-69  
 Scr-Lag .31-09X1.00 Pltd, 2-51  
 Scr-Pan 12 X.50 F/Plst Pl, 3-16  
 Scr-Pan 10-14X0.75 F/Plst Pl, 2-59, 3-21  
 Scr-pan 12 x .50 F/plst Pl, 3-7  
 Scr-Pan 12 X.50 F/Plst Pl, 2-15  
 Scr-Pan 12X.50 F/Plst Pl, 3-3  
 Scr-Pnfm 10 X 0.75 Type Ab, 2-19, 3-16  
 Scr-Set 10-24X0.25 Nylon Loc, 2-65  
 Scr-Shld .312Dx1.00L .25-20, 2-73  
 Screw Hex Ssm 6 X 1.0 20, 2-59  
 Screw Hex Ssm 8X1.25 45, 2-49  
 Screw Hexssm 6X1.0, 2-59  
 Screw W/Washer, 5-21  
 Screw, Cap, 4-3, 4-19  
 Screw, Flat, M 8X1.25 Ss 18-8, 2-59  
 Screw, Flt, .50-13 X 2.50, Al, 2-51  
 Screw, Flt, M6 X 1.0 X 25, 10.9, 2-59  
 Screw, Flt, Soc, M5 X 0.80 X 12, 10.9, 2-61  
 Screw, Hex, .25-20 X 0.50, Fmg, Pl, 3-15  
 Screw, Hex, .25-20 X 1.75, G5, 2-73  
 Screw, Hex, .31-18 X 0.50, 5, 2-31  
 Screw, Hex, .31-18 X 0.62, 5, 2-15  
 Screw, Hex, .31-18 X 2.25, G5, 2-17  
 Screw, Hex, .31-24 X 0.75, G5, 2-73  
 Screw, Hex, .38-16 X 0.62, G5, 3-13  
 Screw, Hex, .38-16 X 0.75, 5, 2-27  
 Screw, Hex, .38-16 X 0.75, NI, 2-47  
 Screw, Hex, .50-13 X 2.50, 5, 2-25  
 Screw, Hex, .50-13 X 2.50, G5, 2-17  
 Screw, Hex, .75-10 X 3.00, 5, 2-43  
 Screw, Hex, #06-20 X 0.50, Fmg, [Ab], 2-55  
 Screw, Hex, M08 X 1.25 X 30, 8.8, 2-49  
 Screw, Hex, M10 X 1.25 X 20, 8.8, 2-37  
 Screw, Hex, M10 X 1.5 X 100, 8.8, 2-57  
 Screw, Hex, M10 X 1.5 X 20, 8.8, 2-25, 2-27  
 Screw, Hex, M10 X 1.5 X 25, 8.8, 2-25, 2-43  
 Screw, Hex, M10 X 1.5 X 25, Ss, 2-51  
 Screw, Hex, M10 X 1.5 X 30, 8.8, 2-55  
 Screw, Hex, M10 X 1.5 X 70, 8.8, 2-43  
 Screw, Hex, M10 X 1.50 X 20, 8.8, 2-37, 3-19  
 Screw, Hex, M10 X 1.50 X 25, 8.8, 2-31, 3-27, 3-28  
 Screw, Hex, M10 X 1.50 X 30, 8.8, 3-15  
 Screw, Hex, M12 X 1.75 X 50, 8.8, 2-27  
 Screw, Hex, M12 X 1.75 X 30, 8.8, 3-11  
 Screw, Hex, M12 X 1.75 X 35, 8.8, 2-41  
 Screw, Hex, M12 X 1.75 X 60, 8.8, 2-43  
 Screw, Hex, M16 X 2.0 X 20, 8.8, 2-47  
 Screw, Hex, M16 X 2.0 X 90, 8.8, 2-51  
 Screw, Hex, M4 X 0.70 X 12, 8.8, 3-13  
 Screw, Hex, M5 X 0.80 X 16, 8.8, 3-9, 3-13  
 Screw, Hex, M6 X 1.0 X 12, 8.8, 2-65  
 Screw, Hex, M6 X 1.0 X 16, 8.8, 2-25, 2-31, 2-55  
 Screw, Hex, M6 X 1.0 X 16, Fmg, 2-63  
 Screw, Hex, M6 X 1.0 X 20, 8.8, 2-55, 2-57  
 Screw, Hex, M6 X 1.00 X 12, 8.8, 2-17  
 Screw, Hex, M6 X 1.00 X 16, 8.8, 2-23  
 Screw, Hex, M6 X 1.00 X 20, 8.8, 2-23, 2-31, 2-33, 2-53, 3-15  
 Screw, Hex, M6 X 1.00 X 50, 8.8, 2-41, 2-74  
 Screw, Hex, M8 X 1.25 X 12, 8.8, 2-27, 2-31  
 Screw, Hex, M8 X 1.25 X 16, 8.8, 2-15, 2-19, 2-31, 2-33, 2-75  
 Screw, Hex, M8 X 1.25 X 16, Ss, 2-67  
 Screw, Hex, M8 X 1.25 X 20, 8.8, 2-15, 2-17, 2-19, 2-25, 2-29, 2-33, 2-39, 3-7  
 Screw, Hex, M8 X 1.25 X 20, NI, Ss, 2-67  
 Screw, Hex, M8 X 1.25 X 20, Ss, 2-63  
 Screw, Hex, M8 X 1.25 X 25, 8.8, 2-25, 2-35, 2-41, 2-45, 2-53, 2-61, 2-71, 3-15  
 Screw, Hex, M8 X 1.25 X 30, 8.8, 2-39  
 Screw, Hex, M8 X 1.25 X 30, Ss, 2-43  
 Screw, Hex, M8 X 1.25 X 40, 8.8, 2-73, 3-7, 3-17  
 Screw, Hex, M8 X 1.25 X 40, Ss, 2-67  
 Screw, Hex, M8 X 1.25 X 45, 8.8, 2-45  
 Screw, Hex, M8 X 1.25 X 60, 8.8, 2-57  
 Screw, Pan, 12-16 X 0.50, F/ Plstc, 3-15  
 Screw, Pan, M3 X 0.5 X 12, 4.8, 2-21  
 Screw, Pan, M3 X 0.5 X 25, Ss, 2-19  
 Screw, Pan, M4 X 0.7 X 10, Ss, 2-65  
 Screw, Pan, M6 X 1.0 X 20, 4.8, 2-21  
 Screw, Pan, Phl, 06-32 X 0.38, G1, 3-7  
 Screw, Pan, Phl, 06-32 X 1.00, G1, 2-53  
 Screw, Pan, Phl, M4 X 0.70 X 10, Ss, 2-67  
 Screw, Pan, Phl, M4 X 0.70 X 16, 4.8, 2-15, 3-21  
 Screw, Pan, Phl, M6 X 1.00 X 16, 4.8, 2-23  
 Screw, Panssm 6X1.0, 2-57  
 Screw, Set, .31-18 X 0.50, Soc, 2-55  
 Screw, Set, Soc, 10-24 X 0.25, NI, 2-67  
 Screw, Set, 5-11  
 Screw-Flat M 8X1.25, 2-63  
 Screw-Hex .75-10X5.00, 2-43  
 Screw, 4-5, 4-7, 5-7, 5-20  
 Screws, 4-3  
 Seal Kit, Cart Cp, 4-15  
 Seal Kit, Cartridg, 4-21  
 Seal Kit, Cartridge, 4-21  
 Seal Kit, Coil Cp, 4-15  
 Seal Kit, Cyl, Hyd, 2-43  
 Seal Kit, Motor A/H-Stnd, 4-5, 4-7  
 Seal Kit, Mtr, 4-9  
 Seal Kit, Pump, 4-3  
 Seal Kit, Stg, 4-19  
 Seal Kit, Vlv, 4-13  
 Seal Kit-Hyd. Motor, Brns & Mte, 4-11  
 Seal Kit, 4-17  
 Seal Wrap, Dump Door, 2-2, 2-63  
 Seal, Bearing, 2-23  
 Seal, Boot, Steering Column, 2-23  
 Seal, Bulb, 90, 0.50d .06-.09grip 022.5l, 2-15  
 Seal, Bulb, 90, 1.33 .06-.09grip 032.5l, 2-15  
 Seal, Bulb, Str, 0.50d .13grip 009.4l, 2-11  
 Seal, Damper, 2-53  
 Seal, Door, Access, 2-59  
 Seal, Dump Door, Side, 2-2, 2-3, 2-5, 2-63  
 Seal, Dump Door, Top, 2-2, 2-3, 2-5, 2-63  
 Seal, Firewall Ic, 2-9  
 Seal, Flywheel, 2-27  
 Seal, Foam Vyl, .38 .75w 7.3L, 3-7  
 Seal, Foam, 2-21  
 Seal, Grease Cavity, 2-43  
 Seal, Headlight, 2-59  
 Seal, Org, 5-8  
 Seal, Rbr, Clsd, 0.50, 1.2w 16.0l Adh, 2-67  
 Seal, Sbdc, 3-15  
 Seal, Side Rh Hopper, 2-3, 2-5  
 Seal, Side Rh, 2-2, 2-11  
 Seal, Side, Lh Hopper, 2-3, 2-5  
 Seal, Side, Lh, 2-2, 2-13  
 Seal, Spacer, Filter, 2-2, 2-3, 2-5, 2-65  
 Seal, Top, Hopper, 2-2, 2-3, 2-5, 2-9  
 Seal, Ure .50 X .75 X 5.0L, 2-19  
 Seal, Vac Fan Outlet, 2-55  
 Seal, Vac Inlet, 2-3, 2-5, 2-53  
 Seal, Vac Wand, 3-21  
 Seal, Wrap, Rear Brush, 2-2, 2-3, 2-5, 2-9  
 Seal, Wrap, 2-3, 2-5  
 Seal, Foam Rbr .375 1.25W 25.5L, 2-11

## CROSS REFERENCE

- Seal,Oil, 5-10, 5-18  
Seal,Valve Stem, 5-29  
Sealing Cap, 5-3  
Seat Belt Kit, 3-19  
Seat Kit, Std, Replmt [6400], 2-15  
Seat, Grammer, 3-17  
Seat, Michigan, 3-18  
Seat, Std [Michigan, Model V-2505], 2-15  
Sender, Filter, Hydraulic, 3-13  
Sensor, Thermal, 140deg, No, Spst, 2-67  
Set Scr,Rockarm, 5-29  
Shaft Assy, Brg, 2-55  
Shaft Assy-Dist, 5-13  
Shaft Idler, 2-47  
Shaft, Drive, 4-3  
Shaft, Impeller, 2-55  
Shaft, Output, 4-5, 4-7  
Shaft,Fork Levr, 5-19  
Shaft,Rock Arm, 5-29  
Shaft/Brg Kit, 4-9  
Shaker Wldt, Frame, 2-67  
Sheave, 01grv, 02.6pd 0.63b [3v], 2-55  
Sheave, Drive, Fan, Dsl, Mach, 2-25  
Sheave, 2-57  
Shield, Battery, 2-27  
Shield, Oil Filter, 2-25  
Shim, Front Bumper, 2-61  
Shock Absorber, 2-73  
Shoe, Brake, 2-41  
Shroud, Rear [Trimmed, 6400], 2-15  
Skirt, Front, Sbdc, 3-15  
Skirt, Hopper, 2-2, 2-3, 2-5, 2-9  
Skirt, Lip, 2-2, 2-3, 2-5, 2-59  
Skirt, Oil Defelction, 2-23  
Skirt, Sbdc, 3-15  
Skirt, Side Brush, 2-2, 2-3, 2-5, 2-59  
Sleeve, .318B .50D .25 Ss, 2-49, 2-51  
Sleeve, .318B .50D .75 Ss, 2-49  
Sleeve, .375B .50D .50 Stlzn, 2-65  
Sleeve, .402B .62D1.31, 2-49  
Sleeve, .510B .75D .44 Stlzn, 2-49  
Sleeve, 1.253B 1.75D .69, 2-57  
Sleeve, blk Vinyl, .37555 I.D., 3-7  
Sleeve, Nyl #27 60.0L, 2-51  
Sleeve,.31Bb.496D .312Ss, 2-15  
Sleeve,Gov, 5-13  
Sleeve-Nyln #20 35.0L, 2-63  
Sleeve-Nyln #24 25.0L, 2-69  
Sleeve-Nyln #28 20.0L, 2-43  
Sleeve, 2-47  
Snap Ring, 5-11  
Socket Assy, 2-9  
Solenoid Assy. Gas, Lp, De., 2-53  
Solenoid, Valve, Hyd, 36vdc, 4-21  
Spacer Plate, 4-5, 4-7  
Spacer, .259ld 375Od .250Lg, 2-73  
Spacer, .56 ld X 1.82L, 2-63  
Spacer, Fuel Pump, 2-33  
Spacer, Isolator, 2-27  
Spacer, Mtg, Cyl, 2-63  
Spacer, Pivot, 2-39  
Spacer, 2-39, 2-41, 2-45, 2-55, 4-13, 4-19  
Spark Plug, 5-21  
Spindle, Adjustment, 2-15  
Sponge Cord, 2-2, 2-63  
Sprg, Tens,0.38Odx.04wire 1.0L, 3-7  
Spring Assy,Gov, 5-20  
Spring Kit, 4-19  
Spring, Comp, .72 Od X 3.25 L, 2-61  
Spring, Die .50ld 1.00Od 1.25L, 2-51  
Spring, Die .62ld 1.25Od 1.75L, 2-51  
Spring, Latch, 2-17  
Spring, Parking Brake, 2-41  
Spring, Propel, Centering, 2-73  
Spring, Return, Brake, 2-41  
Spring, Tens.750Dx.10Wirex4.5, 2-51  
Spring, Tens, .50Dx.05Wire2.5L, 2-74  
Spring, Tension, 2-63  
Spring, Torsion, 2-17, 2-49  
Spring,Gov Lvr, 5-18  
Spring,Gov, 5-20  
Spring,Rock Arm, 5-29  
Spring,Valve, 5-29  
Spring, 4-3, 4-9, 4-13, 5-6, 5-18, 5-20  
Sprng,Comp,0.62ldx.06Wire 2.3L, 2-23  
Sprng,Tens,0.56Odx.05Wire 0.9L, 2-53  
Starter Assy, 5-25  
Stay,Choke, 5-20  
Steer Control, Hyd (See Breakdowns), 2-23  
Steer Control, Hyd#2 06.1 1160, 4-19  
Stem, Valve, Hyd, 4-21  
Stopper,Camshft, 5-11  
Stopper,Fuelc/S, 5-13  
Strainer, Hyd 10Gpm 100Mesh, 2-3, 2-5, 2-69  
Strainer, Hyd, 10gpm 100mesh Psi, 2-2, 2-4  
Strap Wldt, Fuel Tank, 2-33, 2-69  
Strap Wldt, Motor, 2-65  
Strap Wldt, Shakr, 2-67  
Strap,Rubber Tie-Down, 2-37  
Strip Retainer Bearing, 2-47  
Strip Wldt, Door Seal, 2-63  
Strip, Rbr, 0.06 04.00w 05.0l [Neo/60], 2-67  
Strip, Retainer, Door, Side, 2-63  
Strip, Retainer, Dump Door, 2-63  
Strip, Retainer, Flap, 2-9  
Strip, Retainer, Hopper Lip, 2-59  
Strip, Retainer, Sbdc, 3-15  
Strip, Retainer, Seal, 2-11, 2-13  
Strip, Retainer, 2-63  
Strip, 2-9, 2-13  
Stud, Special, M16X2.0, 2-47  
Stud, Wheel .50-20 X 1.50, 2-43, 3-25, 3-26, 3-27, 3-28  
Stud, 5-17, 5-20, 5-28, 5-29, 5-30  
Support,Cover, 5-12  
Supt,Gov L Shft, 5-18  
Switch Ignition, 2-21  
Switch Kit, Replmt, Thermostat, Eng, 2-25  
Switch, 6-12v, Momentary On, 3-7  
Switch, Pressure, 3-13  
Switch, Pushmom, Spst100A 12V, 2-21, 2-53  
Switch, Rocker, Spdt, 2 Pos, 2-21  
Switch, Rocker, Spdt, 3 Pos, 3-3, 3-5  
Switch, Roller, 3-9, 3-13  
Switch, Snap Actn, 250vdc 25a Spdt, 2-19, 2-57  
Switch, Thermostat, Water, 2-25  
Switch,Magnetic, 5-25  
Swivel, 2-25  
Syn. Filter Pkg, Panel, 61Pleats, 2-65

## T

- Tab,Fuelline, 2-33  
Tank, Fuel, 07.3gal, W/ Label [6400d 08], 2-33  
Tank, Fuel, Die W/Label, 2-33  
Tappet, 5-11  
Terminal, Qkdisc .25f Insf 14ga, 3-7  
Thermostat, 160deg, 1.5d [Ku], 5-26  
Thermostat, 160deg, 1.7d [Ku], 5-26  
Thermostat, 180deg, 1.5d [Ku], 5-26  
Thermostat, Spst Switch, 2-65  
Thrust Bearing, 4-5, 4-7  
Tie Cable 3.00D Max 11.41Lg, 2-23  
Tie, Cable 1.75D Max 7.5 Lg, 2-51  
Tie, Cable 1.75D Max 7.50Lg, 2-31, 2-33, 2-43, 2-53, 2-59, 2-63, 2-73, 3-3, 3-5  
Tie, Cable 1.75d Max 7.50lg, 3-7  
Tie, Cable, Nyl, 11.4L .19W 3.0 Max D, 2-21  
Tie,Cable 8.00D Max 28.25Lg, 2-55  
Tire and Wheel Assembly 16X6 RS Radial, 3-24  
Tire and Wheel Assembly, 16x6 RS Radial, 3-28  
Tire and Wheel Assembly, Non-Marking Solid, 3-22  
Tire and Wheel Assy 4.00-8 Solid, 3-23  
Tire Assembly, Non-Mark - Rework, 3-25  
Tire, 150/75R8 Pneumatic, 3-24, 3-28  
Tire, 4.00 X 8-3.75 Sol. Non-Mark, 3-25, 3-26  
Tire, 4.00X8-3.75 Sol. Non-Mark, 3-22  
Tire, 4.00X8-3.75 Solid, 3-23  
Tire, Assembly, Soft Ride - Rework, 3-26  
Tire, Tube & Flap Assy, 2-43, 3-24, 3-27, 3-28  
Tire/wheel Assy, 16x6-8 10pr, 2-43, 3-27  
Tire, 2-43, 3-27  
Tread, Floor, 20.6 6.5, 2-19  
Tube - Carb. Air Intake, 2-29  
Tube Wldt, Torque, 2-47  
Tube Wldt, Vac Fan, 2-53  
Tube, 0.38id 0.50od 00.5l, Stl [H/T]H/T], 2-67  
Tube, 0.49D 0.23B 0.5L Ss, 2-49  
Tube, Breather, 5-8  
Tube, Pickup, Oil Sump, 5-4  
Tube, Tire-Inner 16X6-8, 2-43, 3-24, 3-27, 3-28

## V

V-Belt, 5-24  
 Valve Cap, 5-29  
 Valve Drive, 4-9  
 Valve Guide,Ex, 5-5  
 Valve Guide,In, 5-5  
 Valve Plate, 4-9  
 Valve Seat,In, 5-29  
 Valve Seat, 5-6  
 Valve Stem N.O. Cp, 4-15  
 Valve, Cartridge, Psi, 4-21  
 Valve, Cntrl, Hyd, Solenoid, 12vdc 06gpm  
 (See Breakdowns), 2-75  
 Valve, Cntrl, Hyd, Solenoid, 12vdc 06gpm,  
 4-21  
 Valve, Dump, 4-3  
 Valve, Hyd Cntrl Sol (See Breakdowns),  
 2-75  
 Valve, Hyd Cntrl Sol, 4-15  
 Valve, Hyd Control Man (See  
 Breakdowns), 2-74  
 Valve, Hyd Control Man, 4-13  
 Valve,Exhaust, 5-29  
 Valve,Inlet, 5-29  
 Valve, 4-9  
 Video, Oprtr, Dvd [6400ic], 3-29

## W

Wand Kit, Vac, 6400 Line, 3-21  
 Wand, 3-21  
 Washer Flat,0.50,Sae, 2-17, 2-41, 2-63,  
 3-11  
 Washer Flt .25 Ss, 2-63  
 Washer Flt .50 Sae, 2-51  
 Washer Flt .50 Ss, 2-59  
 Washer Flt .62 Sae, 2-51  
 Washer, .250B .88D .06 Neopre, 2-73  
 Washer, .310B .88D .12Rbr, 2-74  
 Washer, .344B .69D .06Nylon, 2-17  
 Washer, .405B .81D .06 Nylon, 2-45  
 Washer, .531B 1.75D .12 Crzn, 2-27  
 Washer, .531B 1.75D .12Cr Zn, 2-25  
 Washer, .531B 1.75D .12Cr.Znc, 2-47  
 Washer, .656B 1.25D .06, 2-51  
 Washer, .765B 1.5Od .06Ss18-8, 2-41  
 Washer, Felt, 2-43  
 Washer, Flat, #08, 2-65  
 Washer, Flat, #10, 2-21, 2-31, 2-55  
 Washer, Flat, 0.25 Ss, 2-47  
 Washer, Flat, 0.25 Std, 2-31, 2-47, 2-57,  
 2-59  
 Washer, Flat, 0.25, Sae, 2-23, 2-53  
 Washer, Flat, 0.25, Std, 2-29, 2-33, 2-61,  
 2-73, 3-7, 3-9, 3-13, 3-15, 3-17,  
 3-18  
 Washer, Flat, 0.31 Sae, 2-11, 2-13, 2-27  
 Washer, Flat, 0.31 Std, 2-11, 2-13, 2-19,  
 2-25, 2-49  
 Washer, Flat, 0.31, Fendr, 3-15  
 Washer, Flat, 0.31, Sae, 2-31, 3-15

Washer, Flat, 0.31, Std, 2-15, 2-17, 2-33,  
 2-35, 2-39, 2-41, 2-43, 2-45, 2-47,  
 2-51, 2-53, 2-59, 2-61, 2-63, 2-67,  
 2-71, 2-73, 3-7  
 Washer, Flat, 0.38 Sae, 2-25, 2-27, 2-43  
 Washer, Flat, 0.38 Std, 2-25, 2-27, 2-49,  
 2-51, 2-55, 2-57, 2-59  
 Washer, Flat, 0.38, Sae, 2-35, 2-37, 2-71,  
 3-13  
 Washer, Flat, 0.38, Std, 2-31, 2-61, 2-63,  
 3-15  
 Washer, Flat, 0.38b 0.88d .08, Ss, 2-63  
 Washer, Flat, 0.50 Sae, 2-25  
 Washer, Flat, 0.75 Sae, 2-43  
 Washer, Flat, 08, 2-67, 3-7  
 Washer, Flat, 1.02b 1.75d .12, Stl, 2-57  
 Washer, Flat, 10, Sae, 3-15  
 Washer, Flat, 10, 2-23, 3-9, 3-13, 3-21  
 Washer, Flt, .31 Sae, 2-15  
 Washer, Lock, Int, #04, 2-21, 2-57  
 Washer, Lock, Int-Ext, 0.31, 2-53  
 Washer, Plain, 5-7, 5-18, 5-21, 5-24  
 Washer, Spring, 5-28, 5-29  
 Washer, Sprng, 5-28, 5-29  
 Washer,1.255B 1.75D .12Hrs, 2-43  
 Washer,Plain, 5-20, 5-21, 5-24  
 Washer,Spring, 5-19  
 Washer-Belleville .50 Pltd, 2-57  
 Washer-Flt .25 Fender Pltd, 2-59, 3-15  
 Washer-Flt .31 Fender Pltd, 2-9  
 Washer-Flt .44 Std Hard Pltd, 2-49  
 Washer-Flt 21 X37 X3 M20, 2-41  
 Washer-Loc Int .31 Pltd, 2-27  
 Washer-Loc Int-Ext .38 Pltd, 2-37  
 Washer-Wavy Spring, 2-47  
 Washer, 4-3, 4-13, 5-15, 5-17, 5-18,  
 5-20, 5-24, 5-25, 5-29  
 Water Pipe, 5-28  
 Weight, Eccentric, 2-65, 2-67  
 Wheel and Tire Kit, Bias Front, 3-27  
 Wheel and Tire Kit, Non-Mark Solid, Front,  
 3-25  
 Wheel and Tire Kit, Radial Front, 3-28  
 Wheel and Tire Kit, Soft Ride, Front, 3-26  
 Wheel Assy, 2-41  
 Wheel Steering 14Diax36T, 2-23  
 Wire Assy, Jumper, [6400], 2-87  
 Wire Assy,Cable-11.0, 4 Ga,Blk, 2-37  
 Wire, Sparkplug, #1 [Df752], 5-21  
 Wire, Sparkplug, #2 [Df752], 5-21  
 Wire, Sparkplug, #3 [Df752], 5-21

## Y

Yearly Maint Pkg 800hr Die, 2-3







# We Need Your Help...

As part of Tennant's Zero Defects Program, we want to know about errors you have found or suggestions you may have regarding our machine manuals. If you find an error or have a suggestion, please complete this postage-paid form and mail it to us. Thank you for helping us make zero defects a way of life at Tennant.

Manual No. \_\_\_\_\_ Rev. No. \_\_\_\_\_ Publish Date \_\_\_\_\_ Page \_\_\_\_\_  
Machine \_\_\_\_\_  Report Error  Suggestion

---

---

---

---

---

---

---

---

---

---

---

---

---

---

---

---

---

---

---

---

---

---

---

---

---

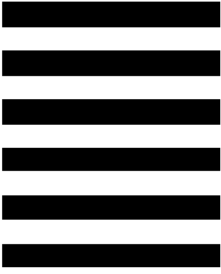
Name \_\_\_\_\_ Date \_\_\_\_\_  
Customer Number \_\_\_\_\_  
Company \_\_\_\_\_  
Address \_\_\_\_\_  
City/State/Zip Code \_\_\_\_\_



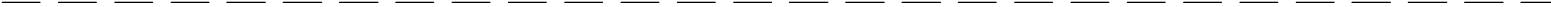
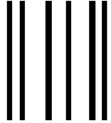
**TENNANT COMPANY**  
 Technical Publications #15  
 701 North Lilac Drive  
 P.O. Box 1452  
 Minneapolis, MN 55440-9947

POSTAGE WILL BE PAID BY ADDRESSEE

**BUSINESS REPLY MAIL**  
 FIRST CLASS MAIL PERMIT NO. 94 MINNEAPOLIS, MN



NO POSTAGE  
 NECESSARY  
 IF MAILED  
 IN THE  
 UNITED STATES



Fold along dotted lines

Tape here





# We Need Your Help...

As part of Tennant's Zero Defects Program, we want to know about errors you have found or suggestions you may have regarding our machine manuals. If you find an error or have a suggestion, please complete this postage-paid form and mail it to us. Thank you for helping us make zero defects a way of life at Tennant.

Manual No. \_\_\_\_\_ Rev. No. \_\_\_\_\_ Publish Date \_\_\_\_\_ Page \_\_\_\_\_  
Machine \_\_\_\_\_  Report Error  Suggestion

---

---

---

---

---

---

---

---

---

---

---

---

---

---

---

---

---

---

---

---

---

---

---

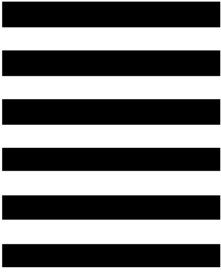
Name \_\_\_\_\_ Date \_\_\_\_\_  
Customer Number \_\_\_\_\_  
Company \_\_\_\_\_  
Address \_\_\_\_\_  
City/State/Zip Code \_\_\_\_\_



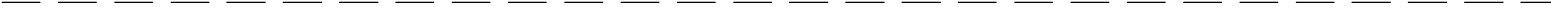
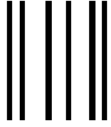
**TENNANT COMPANY**  
 Technical Publications #15  
 701 North Lilac Drive  
 P.O. Box 1452  
 Minneapolis, MN 55440-9947

POSTAGE WILL BE PAID BY ADDRESSEE

**BUSINESS REPLY MAIL**  
 FIRST CLASS MAIL PERMIT NO. 94 MINNEAPOLIS, MN



NO POSTAGE  
 NECESSARY  
 IF MAILED  
 IN THE  
 UNITED STATES



Fold along dotted lines

Tape here

