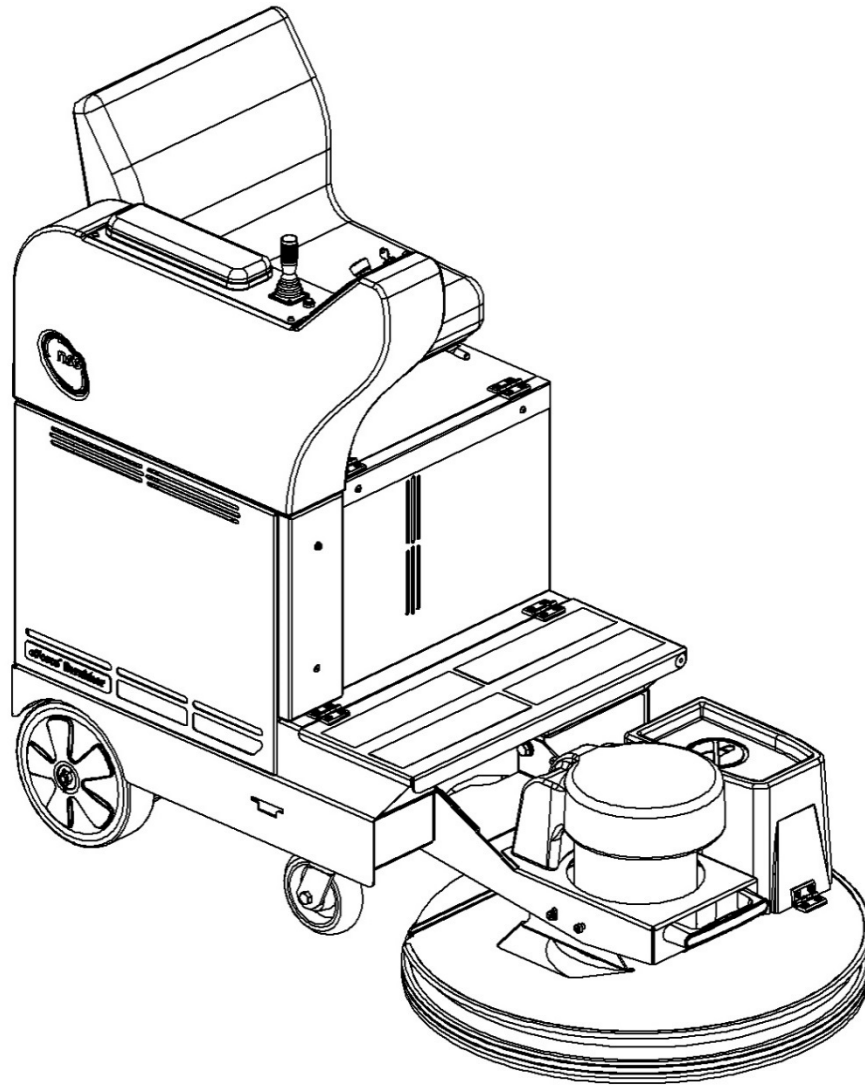


PARTS LIST

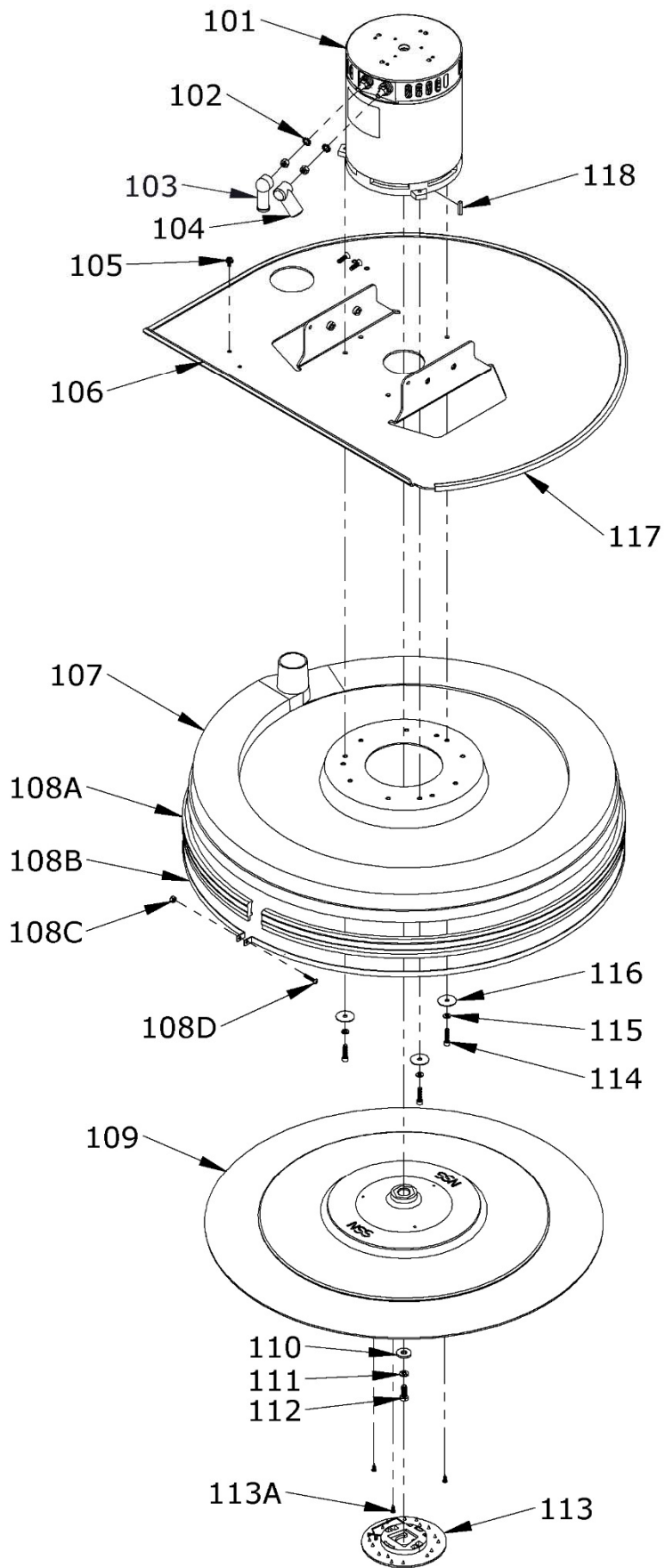
# eForce<sup>®</sup> Burnisher



## HEAD ASSEMBLY

<u>ITEM</u>	<u>PART NO.</u>	<u>DESCRIPTION</u>	<u>QTY</u>
101	6496721	MOTOR – 36 VOLT, 2100 RPM, 3.6HP [see pages 16,17]	1
102	9121410	5/16 EXTERNAL STAR LOCK WASHER – PACK OF 10	2
103	6492051	STUD TERMINAL BOOT –RUBBER - BLACK	1
104	7692421	TERMINAL BOOT (RED)	1
105	6496881	STUD WITH #10-32 X 3/8, FILTER BAG	1
106	6499341	SKIRT – MOTOR MOUNT	1
107	6496519	FLEXIWALL SHIELD 27 ASSEMBLY – INCLUDES:	1
108A	6592531	BUMPER / BRUSH 27"	1
108B	6592552	BUMPER STRAP 27"	1
108C	9120350	10-24 HEX NUT WITH NY-LOCK INSERT – PACK OF 10	1
108D	9120450	10-24 X 1 ROUND HEAD PHILLIPS MACHINE SCREW – PACK OF 10	1
109	6499789	DRIVER, 27" FLEX-LOC PAD	1
110	9121985	13/32 I.D. X 1 O.D. X .12 THICK FLAT WASHER 11 GAGE – PACK OF 1	1
111	9121520	5/16 SPLIT LOCK WASHER – PACK OF 10	1
112	9121490	5/16-24 X 7/8 HEX BOLT – PACK OF 2	1
113	5990731	SPRING CLIP PAD HOLDER SET – INCLUDES:	1
113A	9120205	8 X ½ PAN HEAD PHILLIPS SHEET METAL SCREW – PACK OF 3	3
114	9120980	¼-20 X 1 SOCKET HEAD CAP SCREW – PACK OF 5	3
115	9120880	¼ SPLIT LOCK WASHER – PACK OF 10	3
116	9120950	¼ X 1-1/4 FENDER WASHER – PACK OF 10	3
117	9997590	METAL CORE QUICKEDGE TRIM – CUT TO 67"	5.6
118	9120827	3/16 SQUARE X 1" LONG KEY – STEEL – PACK OF 2	1

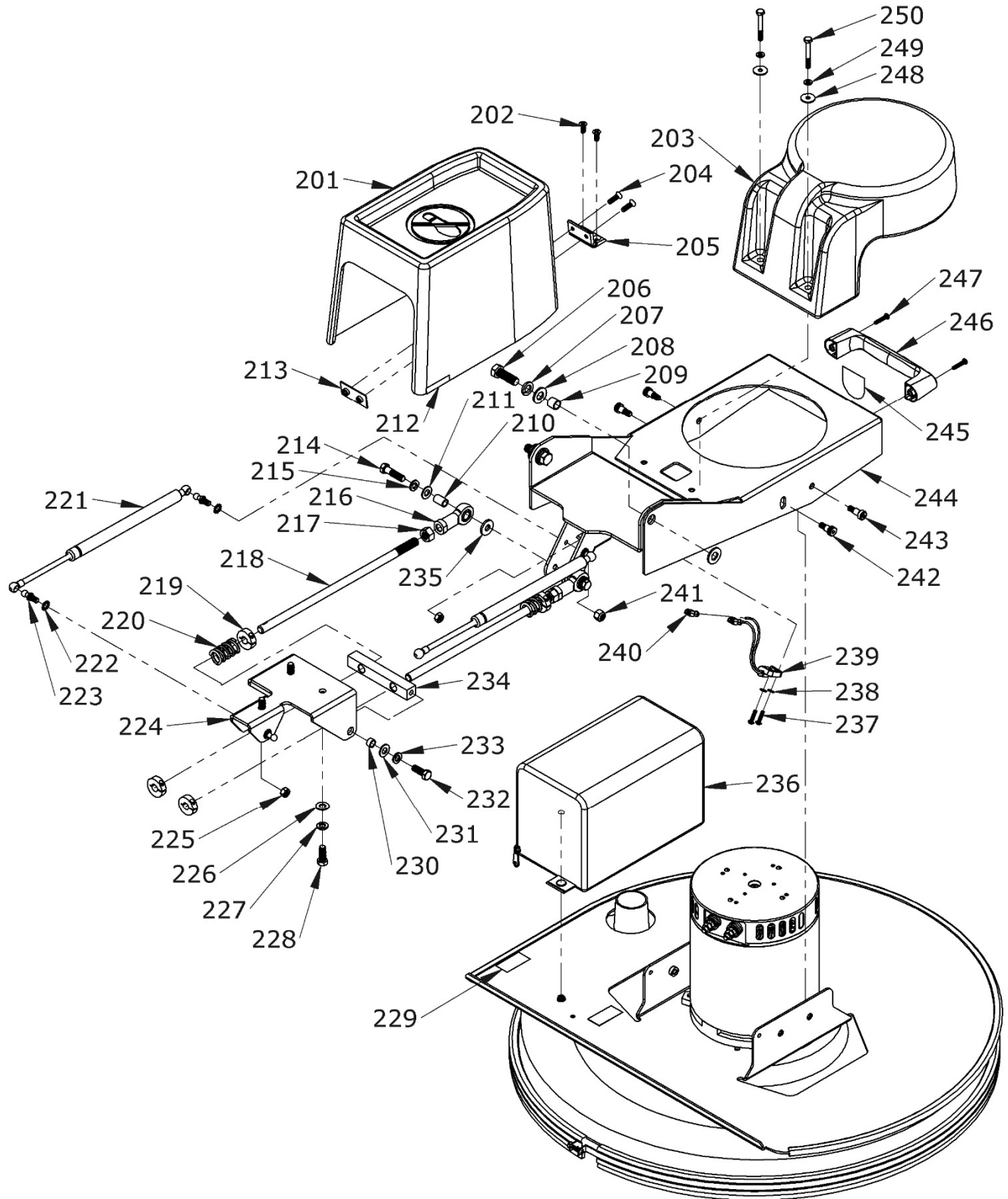
# HEAD ASSEMBLY



## HEAD ARM ASSEMBLY

<u>ITEM</u>	<u>PART NO.</u>	<u>DESCRIPTION</u>	<u>QTY</u>
201	6499041	BOX, BAG	1
202	9121033	¼-20 X 5/8 FLAT HEAD PHILLIPS MACHINE SCREW – PACK OF 4	2
203	6499021	COVER, MOTOR	1
204	9121033	¼-20 X 5/8 FLAT HEAD PHILLIPS MACHINE SCREW – PACK OF 4	2
205	6497811	LID HINGE	1
206	9122550	½-13 X 1-1/2 HEX BOLT – PACK OF 1	2
207	9122420	½ SPLIT LOCK WASHER – PACK OF 5	2
208	9122450	17/32 I.D. X 1-1/16 O.D. X .074/.121 THICK FLAT WASHER (1/2) – PACK OF 5	4
209	2790751	BUSHING SPACER	2
210	6498061	SPACER ½ X 3/8 X ¾	2
211	9122180	13/32 I.D. X 13/16 O.D. X .051/.080 THICK FLAT WASHER (3/8)–PACK OF 10	2
212	9997550	VELCRO HOOK, PRESSURE SENSITIVE ( CUT TO 2" X 2)	.4
213	6497941	MOUNTING PLATE, HINGE	1
214	9122075	3/8-16 X 1-1/2 HEX BOLT – PACK OF 2	2
215	9122100	3/8 SPLIT LOCK WASHER – PACK OF 10	2
216	2391941	BALL JOINT	2
217	9122670	½-20 HEX JAM NUT – PACK OF 5	2
218	6497801	GUIDE SPRING	2
219	3393891	COLLAR, SHAFT ½"	4
220	6496671	COMPRESSION SPRING 1.75 X .935 O.D.	2
221	6496531	GAS SPRING (GGS 23-120 I) – INCLUDES:	2
	6496771	SPRING CLIP	4
222	9121410	5/16 EXTERNAL STAR LOCK WASHER – PACK OF 10	4
223	6496541	BALL STUD – GAS SPRING MOUNT	4
224	6499211	MOUNT, SPRING GUIDE PIVOT & GAS SPRING	1
225	9121420	5/16-18 HEX NUT – PACK OF 10	4
226	9122180	13/32 I.D. X 13/16 O.D. X .051/.080 THICK FLAT WASHER (3/8)–PACK OF 10	3
227	9122100	3/8 SPLIT LOCK WASHER – PACK OF 10	3
228	9122260	3/8-16 X 1 HEX BOLT – PACK OF 5	3
229	9997560	VELCRO LOOP, PRESSURE SENSITIVE (CUT TO 2")	.2
230	2691181	PIVOT SPACER, STABILIZER BAR	2
231	9122180	13/32 I.D. X 13/16 O.D. X .051/.080 THICK FLAT WASHER (3/8)–PACK OF 10	2
232	9122260	3/8-16 X 1 HEX BOLT – PACK OF 2	2
233	9122100	3/8 SPLIT LOCK WASHER – PACK OF 10	2
234	6499221	PIVOT, DUAL SPRING GUIDE	1
235	9121985	13/32 I.D. X 1 O.D. X .12 THICK FLAT WASHER (11 GAGE) – PACK OF 1	2
236	6497311	BAG, FILTER MEDIA	1
237	9120430	10-24 x ¾ ROUND HEAD PHILLIPS MACHINE SCREW – PACK OF 10	2
238	9120330	10 EXTERNAL STAR LOCK WASHER – PACK OF 10	2
239	6496781	TILT SWITCH	1
240	4991371	FULLY INSULATED MALE TERMINAL 22-18 GAGE	2
241	9121990	3/8-16 HEX JAM NUT – PACK OF 10	2
242	9122020	3/8 X 3/8 SOCKET HEAD SHOULDER BOLT – PACK OF 1	3
243	9122025	3/8 X ½ SOCKET HEAD SHOULDER BOLT – PACK OF 1	1
244	6499201	ARM, BRUSH HEAD	1
245	6499461	DECAL, TOUCH POINT, LARGE	1
246	6499171	HANDLE, GRAB	1
247	9120460	10-24 X 1 1/4 ROUND HEAD PHILLIPS MACHINE SCREW – PACK OF 5	2
248	9120933	.25 I.D. X .875 O.D. X .075 THICK FLAT WASHER – PACK OF 6	2
249	9120880	¼ SPLIT LOCK WASHER – PACK OF 10	2
250	9121145	¼-20 X 2 HEX BOLT – STEEL – ZINC PLATE – PACK OF 5	2

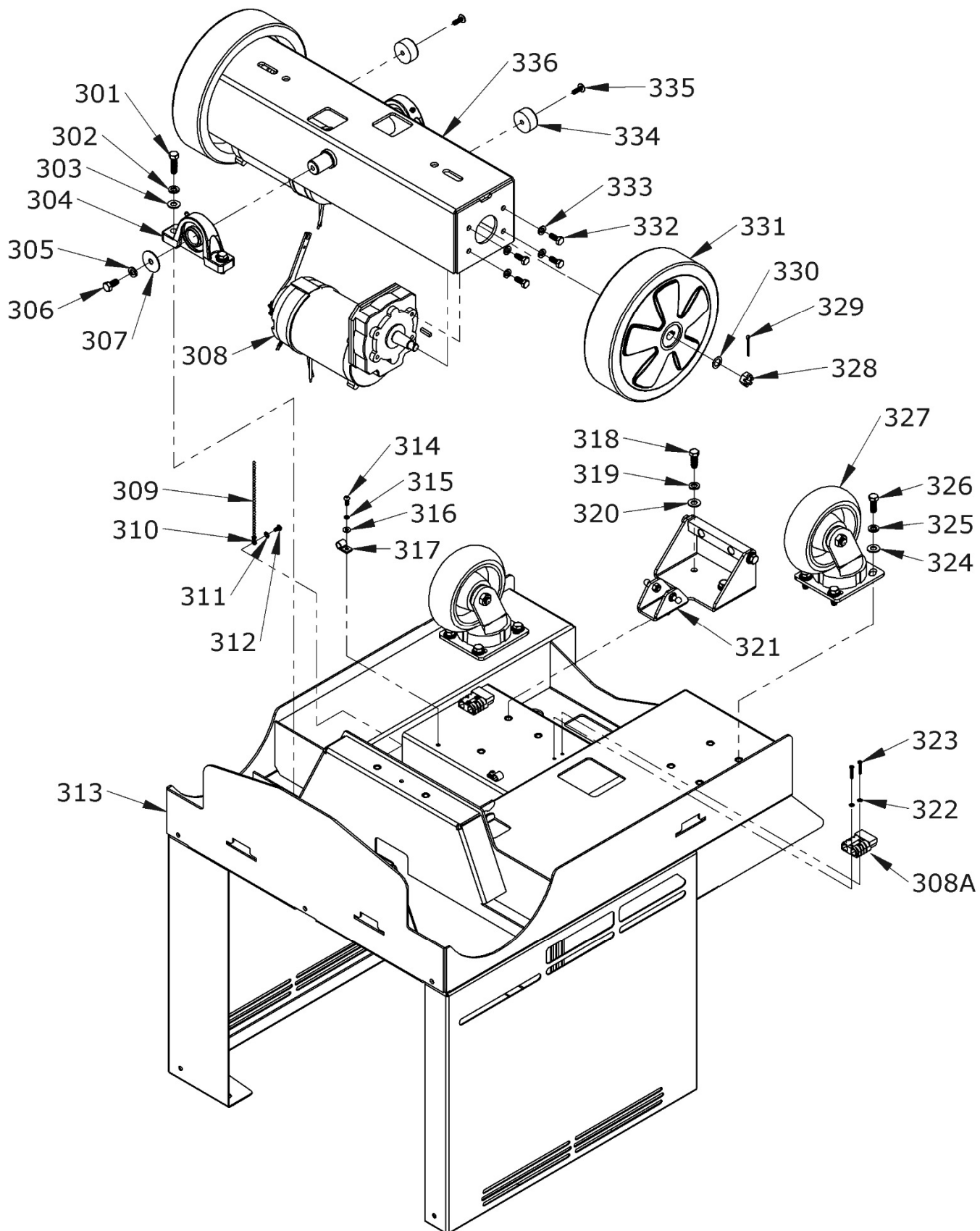
# HEAD ARM ASSEMBLY



## DRIVE ASSEMBLY

<u>ITEM</u>	<u>PART NO.</u>	<u>DESCRIPTION</u>	<u>QTY</u>
301	9122300	3/8-16 X 1-1/4 HEX BOLT – PACK OF 2	4
302	9122100	3/8 SPLIT LOCK WASHER – PACK OF 10	4
303	9122180	13/32 I.D. X 13/16 O.D. X .051/.080 THICK FLAT WASHER (3/8)–PACK OF 10	4
304	3393121	PILLOW BLOCK BEARING STRAIGHT ZERK	2
305	9122100	3/8 SPLIT LOCK WASHER – PACK OF 10	2
306	9122220	3/8-16 X 3/4 HEX BOLT – PACK OF 5	2
307	9122110	3/8 X 1-1/2 X .065 THICK FENDER WASHER – PACK OF 10	2
308	6499659	MOTOR, GEAR WITH BRAKE, ASSEMBLY – INCLUDES:	1
	6499051	MOTOR, GEAR WITH BRAKE – INCLUDES: [see pages 18,19]	2
	9120827	3/16 SQUARE X 1 LONG KEY - STEEL	1
	4991371	FULLY INSULATED MALE TERMINAL 22-18 GAGE (NOT SHOWN)	4
308A	4491901	CHARGER PLUG, GREY, 36VOLT, W/CONNECTOR PINS	2
	2690471	ANDERSON CONNECTOR ONLY - GREY, 36 VOLT (NOT SHOWN)	2
	4490721	CONTACT PINS-ANDERSON, 12-10 GAGE (NOT SHOWN)	4
309	6491860	ROUND BEAD CHAIN – CUT TO 8”	.7
310	6491871	END COUPLING ROUND BEAD CHAIN	1
311	9120330	#10 EXTERNAL STAR LOCK WASHER – PACK OF 10	1
312	9120380	10-24 X 3/8 ROUND HEAD PHILLIPS MACHINE SCREW – PACK OF 10	1
313	6499231	FRAME / BODY	1
314	9120410	10-24 X 1/2 ROUND HEAD PHILLIPS MACHINE SCREW – PACK OF 10	2
315	9120320	#10 SPLIT LOCK WASHER – PACK OF 10	2
316	9120370	7/32 I.D. X 1/2 O.D. X .032/.065 THICK FLAT WASHER (#10) – PACK OF 10	2
317	5294201	NYLON CABLE CLAMP	2
318	9122260	3/8-16 X 1 HEX BOLT – PACK OF 5	3
319	9122100	3/8 SPLIT LOCK WASHER – PACK OF 10	3
320	9122180	13/32 I.D. X 13/16 O.D. X .051/.080 THICK FLAT WASHER (3/8)–PACK OF 10	3
321	6499211	MOUNT, SPRING GUIDE PIVOT & GAS SPRING	1
322	9120130	#6 EXTERNAL STAR LOCK WASHER – PACK OF 10	4
323	9120090	6-32 X 7/8 PAN HEAD PHILLIPS MACHINE SCREW – PACK OF 10	4
324	9122180	13/32 I.D. X 13/16 O.D. X .051/.080 THICK FLAT WASHER (3/8)–PACK OF 10	8
325	9122100	3/8 SPLIT LOCK WASHER – PACK OF 10	8
326	9122260	3/8-16 X 1 HEX BOLT – PACK OF 5	8
327	6499061	CASTER	2
328	9122717	1/2-20 SLOTTED HEX LOCK NUT – PACK OF 2	2
329	9120316	7/64 X 1 ZINC FINISH EXTENDED PRONG COTTER PIN – PACK OF 2	2
330	3393841	AN 1/2 X .053-.073 WASHER	2
331	6499151	WHEEL, DRIVE 10 X 3	2
332	9124010	M8 - 1.25 X 20 HEX HEAD BOLT – PACK OF 12	8
333	9124011	M8 SPLIT LOCK WASHER – PACK OF 8	8
334	4894461	RUBBER STOP	2
335	9121010	1/4-20 X 3/4 TRUSS HEAD PHILLIPS MACHINE SCREW – PACK OF 5	2
336	6499241	MOUNT, DRIVE MOTORS	1

# DRIVE ASSEMBLY

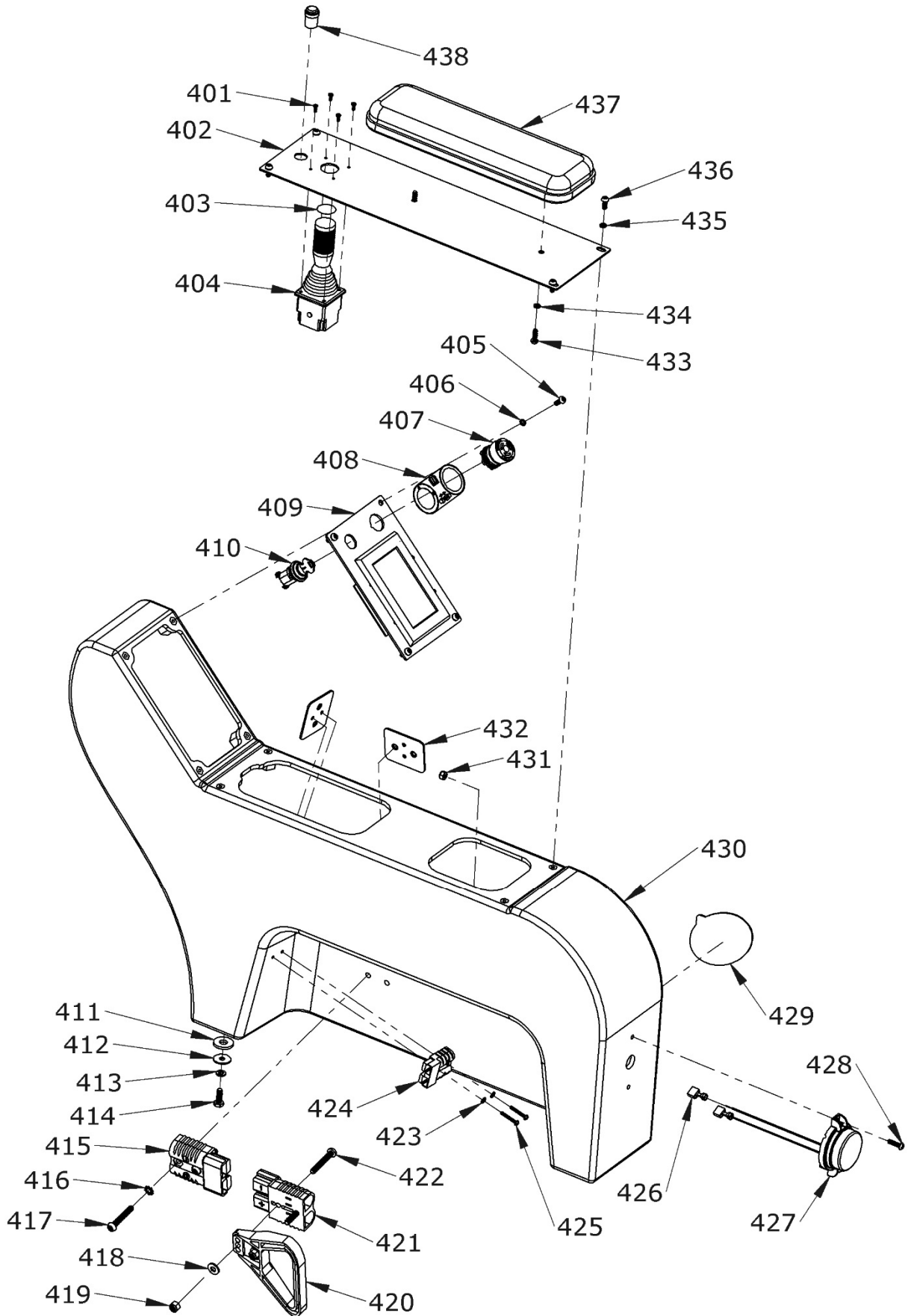


## CONTROL PANEL ASSEMBLY

<u>ITEM</u>	<u>PART NO.</u>	<u>DESCRIPTION</u>	<u>QTY</u>
401	9120018	4 X 3/4 PAN HEAD PHILLIPS SHEET METAL SCREW – PACK OF 10	4
402	6499441	PLATE, JOYSTICK & ARM REST	1
403	6499451	DECAL, TOUCH POINT, SMALL	1
404	6499421	JOYSTICK	1
405	9120511	10-24 X ½ TRUSS HEAD PHILLIPS MACHINE SCREW – PACK OF 4	4
406	9120330	10 EXTERNAL STAR LOCK WASHER – PACK OF 10	4
407	6499071	SWITCH, E-STOP	1
408	6499571	DECAL, ON - OFF	1
409	6499431	TOUCH PAD ASSEMBLY	1
	9124017	M3 FLAT WASHER – PACK OF 10 (NOT SHOWN)	8
	9124016	M3 SPLIT LOCK WASHER – PACK OF 10 (NOT SHOWN)	8
	9124015	M3 X 8 PAN HEAD PHILLIPS MACHINE SCREW – PACK OF 10 (NOT SHOWN)	4
	9124018	M3 X 6 PAN HEAD PHILLIPS MACHINE SCREW – PACK OF 10 (NOT SHOWN)	4
	9120018	4 X 3/8 PAN HEAD PHILLIPS MACHINE SCREW – PACK OF 10 (NOT SHOWN)	4
410	7692511	KEY SWITCH WITH KEY – INCLUDES:	1
	7692521	REPLACEMENT KEY FOR 7692511	1
411	9121985	13/32 I.D. X 1 O.D. X .12 THICK FLAT WASHER 11 GAGE – PACK OF 1	2
412	9120933	.250 I.D. X .875 O.D. X .075 THICK FLAT WASHER – PACK OF 6	4
413	9120880	¼ SPLIT LOCK WASHER – PACK OF 10	4
414	9121250	¼-20 X ¾ HEX BOLT – PACK OF 10	4
415	6499511	WIRE ASSEMBLY, ANDERSON – MACHINE	1
416	9120970	¼ EXTERNAL STAR LOCK WASHER – PACK OF 10	2
417	9121070	¼-20 X 1-3/4 ROUND HEAD PHILLIPS MACHINE SCREW – PACK OF 5	2
418	9120930	9/32 I.D. X 5/8 O.D. X .051/.080 THICK FLAT WASHER (1/4) – PACK OF 10	2
419	9120900	¼-20 HEX NUT WITH NY-LOCK INSERT – PACK OF 10	2
420	6499401	A-FRAME HANDLE, 175A ANDERSON	1
421	6499561	WIRE ASSEMBLY, ANDERSON - BATTERY	1
422	9121070	¼-20 X 1-3/4 ROUND HEAD PHILLIPS MACHINE SCREW – PACK OF 5	2
423	9120130	#6 EXTERNAL STAR LOCK WASHER – PACK OF 10	2
424	6499551	WIRE ASSEMBLY, CHARGER PLUG	1
425	9120100	6-32 X 1 ROUND HEAD PHILLIPS MACHINE SCREW – PACK OF 10	2
426	4991371	FULLY INSULATED MALE TERMINAL 22-18 GAGE	2
427	6499351	LIGHT, FLASHING WARNING, 3" ROUND	1
428	9120430	10-24 X ¾ ROUND HEAD PHILLIPS MACHINE SCREW – PACK OF 10	2
429	2694921	NSS LOGO DECAL	1
430	6499011	PANEL, CONTROL	1
431	9120360	10-24 HEX NUT WITH STAR LOCK WASHER – PACK OF 10	2
432	6499251	PLATE, ANDERSON MOUNTING	2
433	9120770	10-32 X 5/8 ROUND HEAD PHILLIPS MACHINE SCREW – PACK OF 10	2
434	9120320	#10 SPLIT LICK WASHER – PACK OF 10	2
435	9120330	10 EXTERNAL STAR LOCK WASHER – PACK OF 10	4
436	9120511	10-24 X ½ TRUSS HEAD PHILLIPS MACHINE SCREW – PACK OF 4	4
437	6499081	ARMREST PAD, GEL	1
438	7691631	PUSH BUTTON SWITCH	1



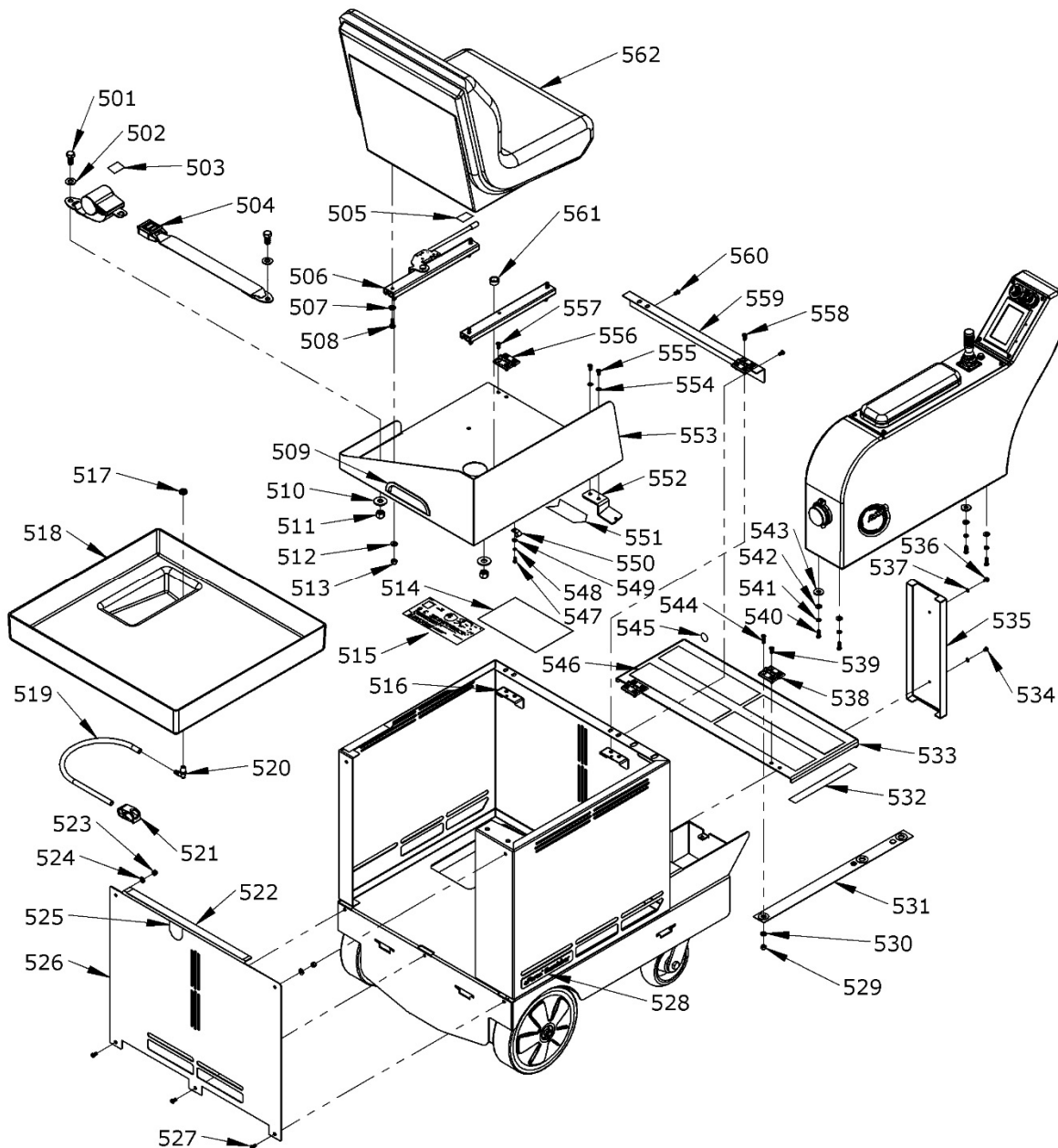
# CONTROL PANEL ASSEMBLY



## UPPER BODY ASSEMBLY

<u>ITEM</u>	<u>PART NO.</u>	<u>DESCRIPTION</u>	<u>QTY</u>
501	9122530	½-13 x 1 HEX BOLT	2
502	9122450	17/32 I.D. X 1 1/16 O.D. X .074/.121 THICK FLAT WASHER (1/2) – PACK OF 5	2
503	6499491	DECAL, TOUCH POINT, SEAT BELT	1
504	6499141	BELT, SEAT	1
505	6499491	DECAL, TOUCH POINT, SEAT BELT	1
506	6499131	SEAT SLIDE ADJUSTMENT KIT	1
507	9124012	M8 FLAT WASHER	4
508	9124010	M8-1.25 X 20 HEX HEAD BOLT (INCLUDED IN SEAT SLIDE ADJUSTMENT KIT)	4
509	9997590	METAL CORE QUICKEDGE TRIM – CUT TO 8”	.6’
510	9122470	9/16 I.D. X 1 3/8 O.D. X .086/.132 THICK WROUGHT WASHER (1/2) - PK 2	2
511	9122507	½-13 HEX NUT WITH NY-LOCK INSERT	2
512	9124012	M8 FLAT WASHER	4
513	9124009	M8-1.25 HEX NUT WITH NY-LOCK INSERT	4
514	6499741	DECAL, INSTRUCTION, SCREEN & BRAKE	1
515	6499281	DECAL, BATTERY WARNING	1
516	6499411	GUSSET, SEAT PLATE HINGE	2
517	6496461	¼ NPT PLASTIC NUT	1
518	6499031	TRAY, BATTERY	1
519	8791070	VINYL HOSE, 3/8” I.D. X ½” O.D.	1.5’
520	2490601	FITTING, ELL 3/8 BARB X ¼ NPT	1
521	3390661	TUBING CONTROL VALVE	1
522	9997560	VELCRO LOOP, PRESSURE SENSITIVE (CUT TO 17” & 6” )	1.9’
523	9120900	¼-20 HEX NUT WITH NY-LOCK INSERT – PACK OF 10	2
524	9120930	9/32 I.D. X 5/8 O.D. X .051/.080 THICK FLAT WASHER (1/4) – PACK OF 10	2
525	6499461	DECAL, TOUCH POINT, LARGE	1
526	6499301	PANEL, REAR	1
527	9120983	¼-20X1/2 TRUSS HEAD PHILLIPS MACHINE SCREW – PACK OF 10	3
528	6499181	DECAL, SIDE LOGO	2
529	9120900	¼-20 HEX NUT WITH NY-LOCK INSERT – PACK OF 10	1
530	9120930	9/32 I.D. X 5/8 O.D. X .051/.080 THICK FLAT WASHER (1/4) – PACK OF 10	1
531	6499631	STRAP, HEAD RETAINING	1
532	9997560	VELCRO LOOP, PRESSURE SENSITIVE (CUT TO 9” X 2 PIECES)	1.5’
533	6499291	PLATE, FOOT	1
534	9120756	10-32 X 1/2 TRUSS HEAD PHILLIPS MACHINE SCREW – PACK OF 4	2
535	6499271	COVER, WIRES TO CONTROL BOX	1
536	6496881	STUD WITH #10-32 X 3/8, FILTER BAG	1
537	9120495	10 INTERNAL STAR LOCK WASHER – PACK OF 10	2
538	6497811	LID HINGE	2
539	9121033	¼-20 X 5/8 FLAT HEAD PHILLIPS MACHINE SCREW – PACK OF 4	7
540	9121250	¼-20 X ¾ HEX BOLT – PACK OF 10	4
541	9120880	¼ SPLIT LOCK WASHER – PACK OF 10	4
542	9120930	9/32 I.D. X 5/8 O.D. X .051/.080 THICK FLAT WASHER (1/4) – PACK OF 10	4
543	9121985	13/32 I.D. X 1 O.D. X .12 THICK FLAT WASHER 11 GAGE – PACK OF 1	2
544	9121034	¼-20 X 7/8 FLAT HEAD PHILLIPS MACHINE SCREW – PACK OF 4	1
545	6499451	DECAL, TOUCH POINT, SMALL	1
546	6497191	STEP TREAD	4
547	9120410	10-24 X ½ ROUND HEAD PHILLIPS MACHINE SCREW – PACK OF 10	1
548	9120320	10 SPLIT LOCK WASHER – PACK OF 10	1
549	9120370	7/32 I.D. X ½ O.D. X .032/.065 THICK FLAT WASHER (#10) – PACK OF 10	1
550	5294201	NYLON CABLE CLAMP	1
551	6499731	DECAL, CHARGER PLUG	1

# UPPER BODY ASSEMBLY

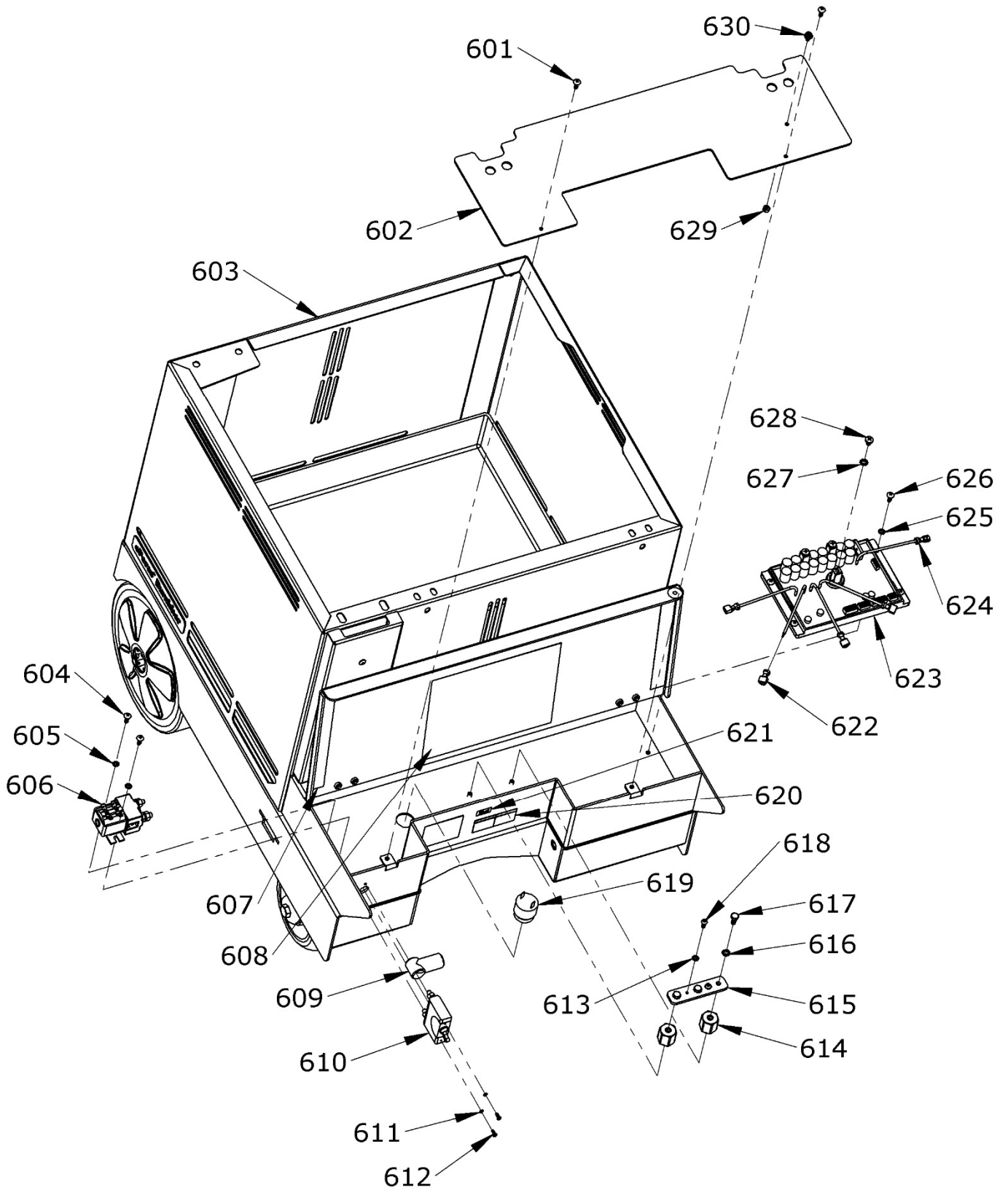


<u>ITEM</u>	<u>PART NO.</u>	<u>DESCRIPTION</u>	<u>QTY</u>
552	6499471	BRACKET, SEAT PLATE STOP	1
553	6499261	PLATE, SEAT	1
554	9120970	¼ EXTERNAL STAR LOCK WASHER – PACK OF 10	2
555	9120983	¼-20 X ½ TRUSS HEAD PHILLIPS MACHINE SCREW – PACK OF 10	2
556	6497811	LID HINGE	2
557	9121033	¼-20 X 5/8 FLAT HEAD PHILLIPS MACHINE SCREW – PACK OF 4	4
558	9121034	¼-20 X 7/8 FLAT HEAD PHILLIPS MACHINE SCREW – PACK OF 4	4
559	6499331	SHIM / CORNER REINFORCEMENT	2
560	9120983	¼-20 X ½ TRUSS HEAD PHILLIPS MACHINE SCREW – PACK OF 10	2
561	4890451	BUSHING, SNAPIN, #SB87511 HEYCO	1
562	7690601	SEAT – INCLUDES:	1
	7692601	SEAT SWITCH, TWIST MOUNT (NOT SHOWN)	1

## **ELECTRICAL ASSEMBLY**

<b>ITEM</b>	<b>PART NO.</b>	<b>DESCRIPTION</b>	<b>QTY</b>
601	9120520	10-24 X 5/8 TRUSS HEAD PHILLIPS MACHINE SCREW – PACK OF 10	2
602	6499191	COVER, PLASTIC ELECTRICAL	1
603	6499231	FRAME	1
604	9120520	10-24 5/8 TRUSS HEAD PHILLIPS MACHINE SCREW – PACK OF 10	2
605	9120330	10 EXTERNAL STAR LOCK WASHER – PACK OF 10	2
606	6496481	SOLENOID, 36 VOLT	1
607	9997560	VELCRO LOOP, PRESSURE SENSITIVE (CUT TO 9" X 2 PIECES)	1.5'
608	6499581	DECAL, WIRING DIAGRAM	1
609	7692421	TERMINAL BOOT (RED)	1
610	6496441	CIRCUIT BREAKER – 125 AMP	1
611	9120030	#6 SPLIT LOCK WASHER – PACK OF 10	2
612	9120070	6-32 X 3/8 ROUND HEAD PHILLIPS MACHINE SCREW – PACK OF 10	2
613	9120330	#10 EXTERNAL STAR LOCK WASHER – PACK OF 10	2
614	4490561	INSULATED STANDOFF	2
615	6499361	PLATE, STANDOFF	1
616	9120970	¼ EXTERNAL STAR LOCK WASHER – PACK OF 10	3
617	9121210	¼-20 X 5/8 HEX BOLT – PACK OF 10	3
618	9120410	10-24 X 1/2 ROUND HEAD PHILLIPS MACHINE SCREW – PACK OF 10	2
619	7691221	BACK UP ALARM	1
620	0396141	PROP 65 WARNING LABEL	1
621	6499641	LABEL, 9% INCLINE	1
622	2690581	¼ SPADE MALE TERMINAL 10-12 GAGE YELLOW	4
623	6499111	CONTROLLER, MACHINE	1
624	2690571	¼ SLIP-ON FEMALE TERMINAL 10-12 GAGE YELLOW	1
625	9120330	#10 EXTERNAL STAR LOCK WASHER – PACK OF 10	4
626	9120520	10-24 X 5/8 TRUSS HEAD PHILLIPS MACHINE SCREW – PACK OF 10	4
627	9120970	¼ EXTERNAL STAR LOCK WASHER – PACK OF 10	3
628	9120985	¼-28 X 3/8 PAN HEAD PHILLIPS MACHINE SCREW – PACK OF 5	3
629	9120660	10-32 HEX NUT WITH NY-LOCK INSERT – PACK OF 10	1
630	6496881	STUD WITH #10-32 X 3/8, FILTER BAG	1

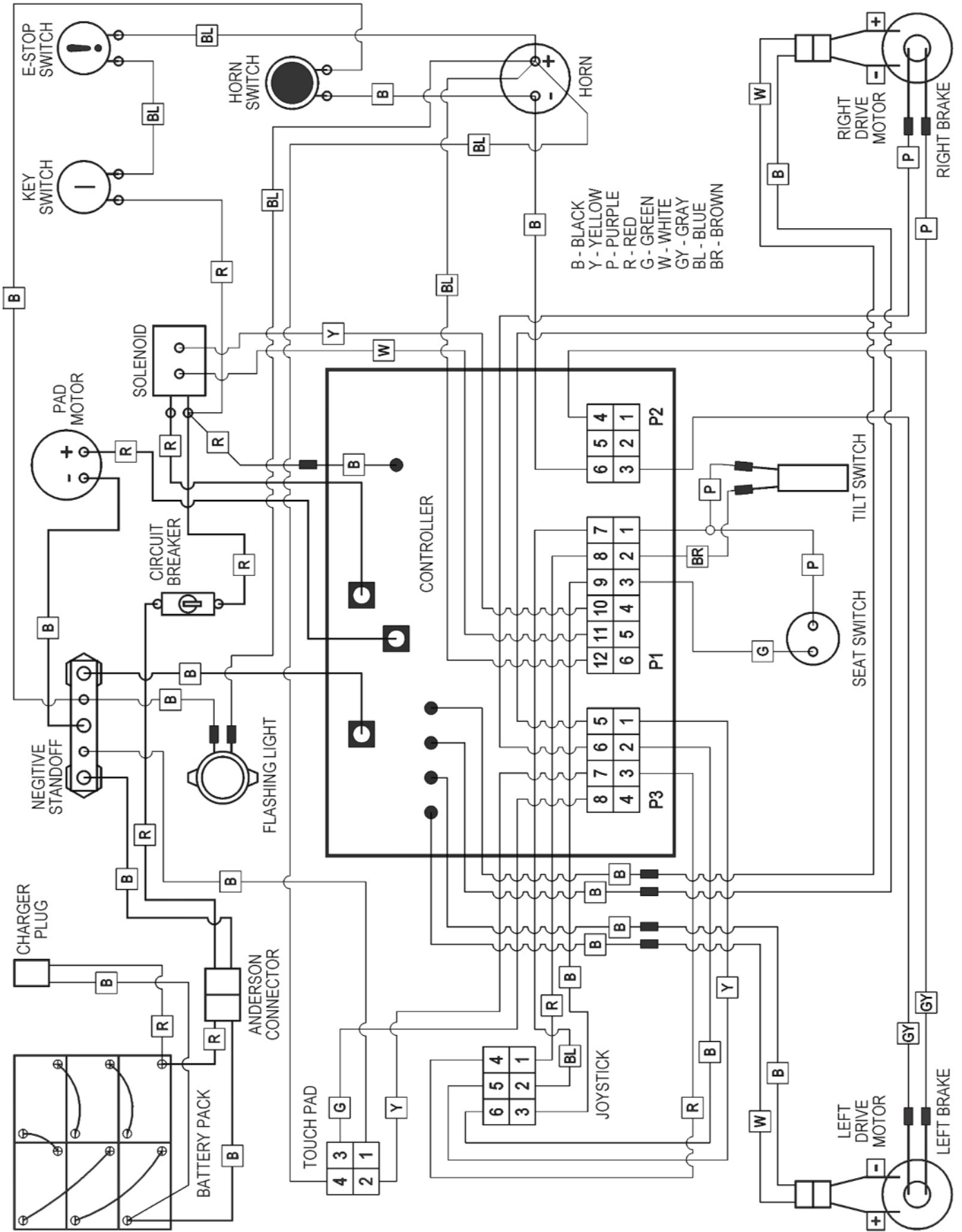
# ELECTRICAL ASSEMBLY



## ***ELECTRICAL COMPONENTS***

<b><u>PART NO.</u></b>	<b><u>DESCRIPTION</u></b>	<b><u>QTY</u></b>
2391981	BATTERY JUMPER 3/8" RING	5
2690471	ANDERSON CONNECTOR ONLY - GREY, 36 VOLT	1
2690581	¼ SPADE MALE TERMINAL 10-12 YELLOW	4
4490561	INSULATED STANDOFF	2
4490721	CONTACT PINS-ANDERSON, 12-10 GAGE	2
4991371	FULLY INSULATED MALE TERMINAL 22-18 GAGE	8
6491841	175 AMP ANDERSON, GREY, 36 VOLT, WITH CONNECTOR PINS	1
6492051	TERMINAL BOOT (BLACK) – RUBBER	1
6496441	CIRCUIT BREAKER – 125 AMP	1
6496481	SOLENOID, 36 VOLT	1
6496721	MOTOR – 36 VOLT, 2100 RPM, 3.6HP	1
6496781	TILT SWITCH	1
6496821	WIRE – BREAKER TO STANDOFF	1
6496831	WIRE – SOLENOID TO CONTROLLER	1
6497911	WIRE SOLENOID TO CONTROLLER	1
6499051	MOTOR, GEAR WITH BRAKE	2
6499071	SWITCH, E-STOP	1
6499111	CONTROLLER, MACHINE	1
6499121	TOUCH PAD, CONTROL	1
6499351	LIGHT, FLASHING WARNING, 3" ROUND	1
6499361	PLATE, STANDOFF	1
6499381	CONTROL BOARD, TOUCHPAD	1
6499401	A-FRAME HANDLE, 175A ANDERSON	1
6499421	JOYSTICK	1
6499431	TOUCH PAD ASSEMBLY	1
6499481	CABLE, RIBBON	1
6499501	WIRE HARNESS, MAIN	1
6499511	WIRE ASSEMBLY, ANDERSON – MACHINE	1
6499521	WIRE HARNESS, BRUSH MOTOR	1
6499531	WIRE ASSEMBLY, CONTROLER TO DRIVE	2
6499541	WIRE ASSEMBLY, KEY SWITCH TO E-STOP	1
6499551	WIRE ASSEMBLY, CHARGER PLUG	1
6499561	WIRE ASSEMBLY, ANDERSON – BATTERY	1
6499601	CHARGER, 36 AMP, 115 VOLT, 430AH, SB50	1
6499611	CHARGER, 40 AMP, 240 VOLT, SB50, TYPE I	1
6499621	CHARGER, 40 AMP, 240 VOLT, SB50, TYPE F	1
7691221	BACK UP ALARM	1
7691401	BATTERY-430A.H. 6V, WET	6
7691631	PUSH BUTTON SWITCH	1
7692421	TERMINAL BOOT (RED)	2
7692511	KEY SWITCH WITH KEY	1
7692601	SEAT SWITCH, TWIST MOUNT	1
7695211	WIRE ASSEMBLY ANDERSON TO BATTERY	1

# WIRE DIAGRAM

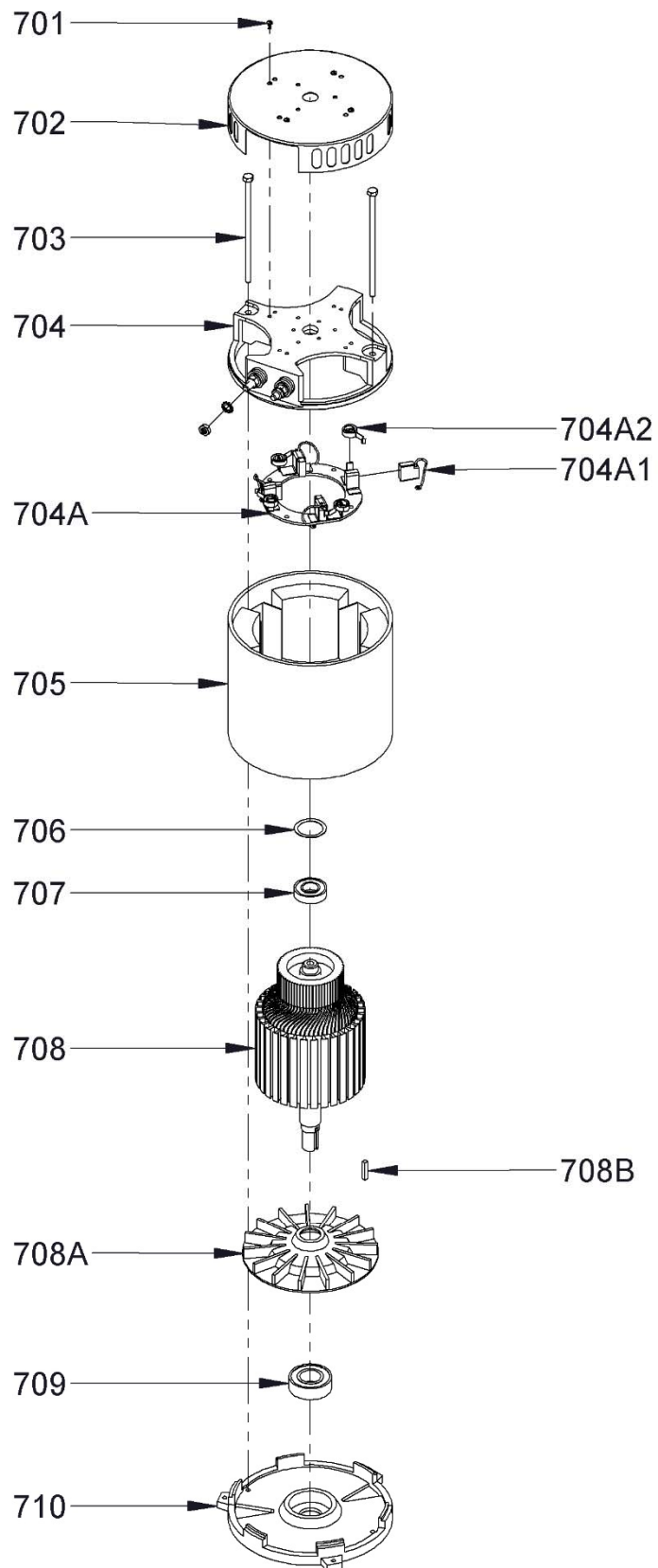


## HEAD MOTOR

<u>ITEM</u>	<u>PART NO.</u>	<u>DESCRIPTION</u>	<u>QTY</u>
	6496721	MOTOR 36 VOLT, 2100 RPM, 3.6 HP – INCLUDES:	1
701	9120600	10-24 X ½ PAN HEAD PHILLIPS THREAD CUTTING SCREW – PACK OF 10	4
702	5991731	COMMUTATOR BRACKET COVER	1
703	6493621	¼-20 X 9 HEX HEAD THRU BOLT – 3HP	2
704	6493531	COMMUTATOR BRACKET ASSEMBLY – INCLUDES:	1
	6493541	COMMUTATOR BRACKET	1
704A	6493601	BRUSH BOARD ASSEMBLY – INCLUDES:	1
704A1	7692041	CARBON BRUSH	4
704A2	6493591	SPRING	4
705	6493631	STATOR FRAME ASSEMBLY – WITH CLIPS AND MAGNETS – 3HP	1
706	5991741	HELICAL WASHER – LARGE	1
707	5991551	BEARING – TOP END	1
708	6493651	ARMATURE – 2100 RPM – 3.6 HP – INCLUDES	1
708A	6493571	ALUMINUM FAN	1
708B	9120827	3/16 SQUARE X 1 LONG KEY – STEEL – PACK OF 2	1
709	5991541	BEARING – BOTTOM END	1
710	6493551	END BRACKET – BOTTOM END	1



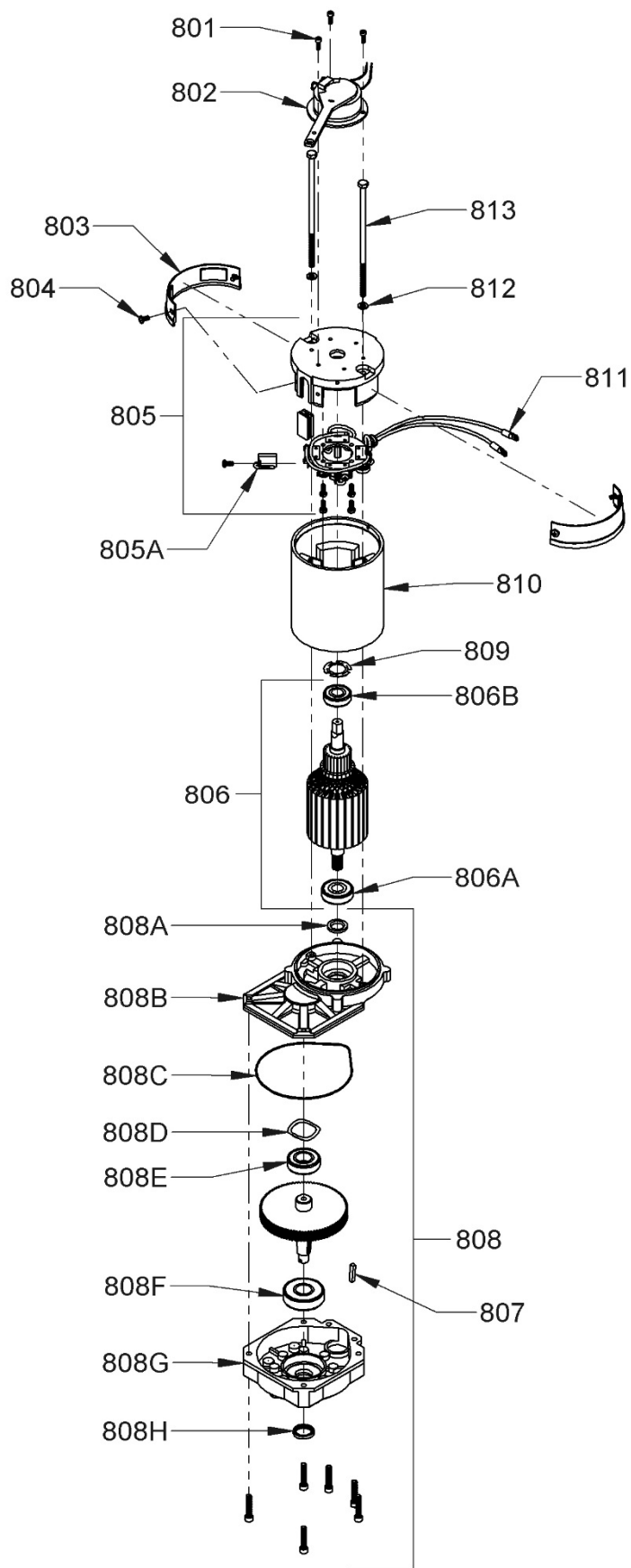
# HEAD MOTOR



## DRIVE MOTOR

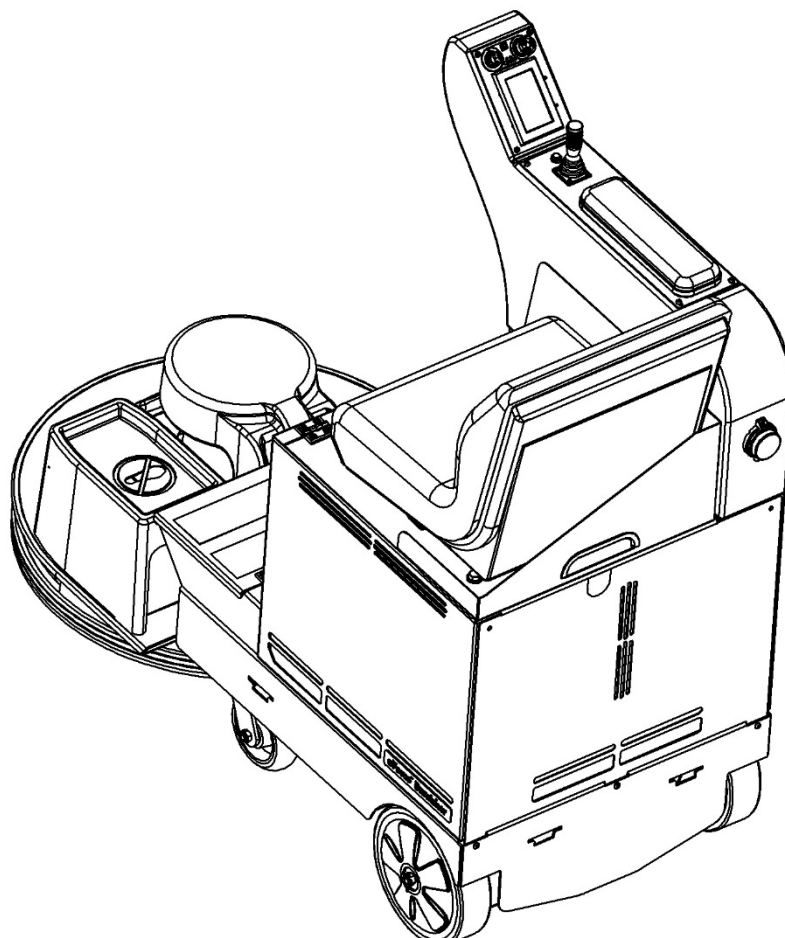
<u>ITEM</u>	<u>PART NO.</u>	<u>DESCRIPTION</u>	<u>QTY</u>
	6499051	MOTOR, GEAR WITH BRAKE	1
801	6499991	M4 X .7 X 10 SOCKET HEAD CAP SCREW, BLACK OXIDE	3
802	6499981	BRAKE, 24VDC, MANUAL RELEASE W/ SWITCH	1
803	6499951	BRUSH ACCESS COVER	2
804	6499961	10-32 X 3/8 SCREW W/ EXTERNAL TOOTH WASHER	4
805	6499891	BRUSH CAP ASSEMBLY	1
805A	6499901	BRUSH 7364 ¼ X 5/8 X 1 W/#10 RING TERM	4
806	6499911	ARMATURE ASSEMBLY	1
806A	6499931	BEARING 6203	1
806B	6499921	BEARING 6202	1
807	9120827	3/16 SQUARE X 1 KEY	1
808	6499801	GEARBOX ASSEMBLY	1
808A	6499831	SEAL 20MM X 26MM X 4MM WIDE	1
808B	6499811	GEARBOX HOUSING UPPER	1
808C	6499871	O-RING 4.739 ID X .070	1
808D	6499861	WAVE WASHER	1
808E	6499851	BEARING 6004 2RS DOUBLE SEAL	1
808F	6499841	BEARING 6304 2RS DOUBLE SEAL	1
808G	6499881	GEARBOX HOUSING LOWER	1
808H	6499821	SEAL 16MM X 25MM X 3MM WIDE	1
809	6499941	6202 FINGER WASHER	1
810	6499791	FRAME ASSEMBLY POWDER COAT BLACK	1
811	4490721	CONTACT PINS-ANDERSON, 12-10 GAGE	2
812	9120880	¼ SPLIT LOCK WASHER – PACK OF 10	2
813	6499971	¼-20 X 6.75 THRU BOLT, GRADE 2	2

# DRIVE MOTOR



## ACCESSORIES

<u>PART NO.</u>	<u>DESCRIPTION</u>	<u>QTY</u>
7691401	BATTERY – 430 AMP HOUR – 6 VOLT DC – WET	6
6493901	BATTERY – 390 AMP HOUR – 6 VOLT DC – AGM	6
7692181	LOW WATER BATTERY ALARM – 6 VOLT	-
6499601	CHARGER - 36 AMP - 36 VOLT DC – 120 VOLT (FOR 430 AH BATTERY)	1
6499611	CHARGER, 40 AMP, 240 VOLT, SB50, TYPE I (FOR 430 AH BATTERY)	1
6499621	CHARGER, 40 AMP, 240 VOLT, SB50, TYPE F (FOR 430 AH BATTERY)	1
6499701	CHARGER, 30 AMP, 36 VOLT DC, 120 VOLT (FOR 390 AH AGM BATTERY)	1
7992751	27" LITE BLUE POLISH/BURNISH PAD – FOR SOFT FINISH (5 PADS PER CASE)	1
7992761	27" LITE HAIR BURNISH PAD – FOR ALL FINISHES (5 PADS PER CASE)	1
7992781	27" ULTRA HAIR HARD FINISH PAD – FOR HARD FINISH (5 PADS PER CASE)	1
7992791	27" ULTIMATE HAIR PAD – HARD FINISH AGGRESSIVE BURNISHING (5 PADS PER	1
7992821	27" BEIGE PLUS UHS SCRUB PAD – FOR SCUFF MARK REMOVAL (5 PADS PER CASE)	1



### **NSS® Enterprises, Inc.**

3115 Frenchmens Road, Toledo, Ohio 43607  
 PHONE (419) 531-2121 FAX (419) 531-3761  
[mailus@nss.com](mailto:mailus@nss.com)      [www.nss.com](http://www.nss.com)

