

PARTS LIST

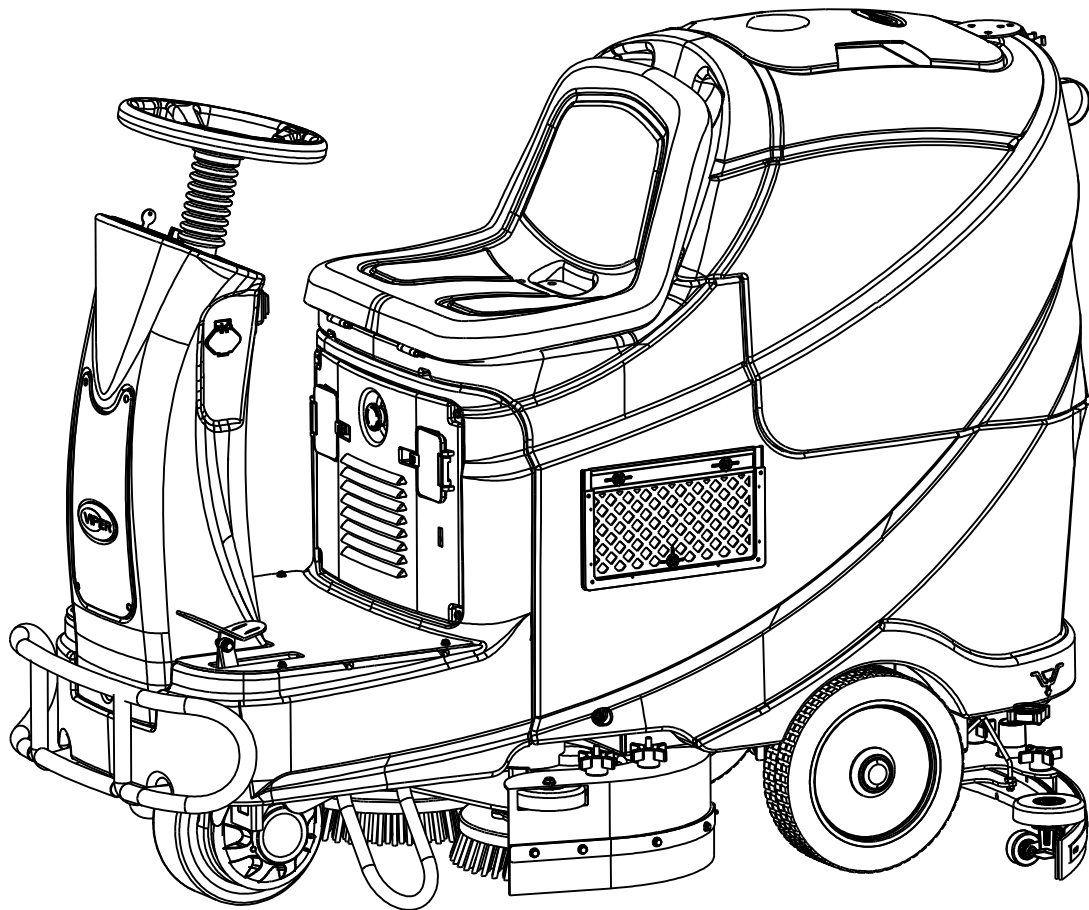
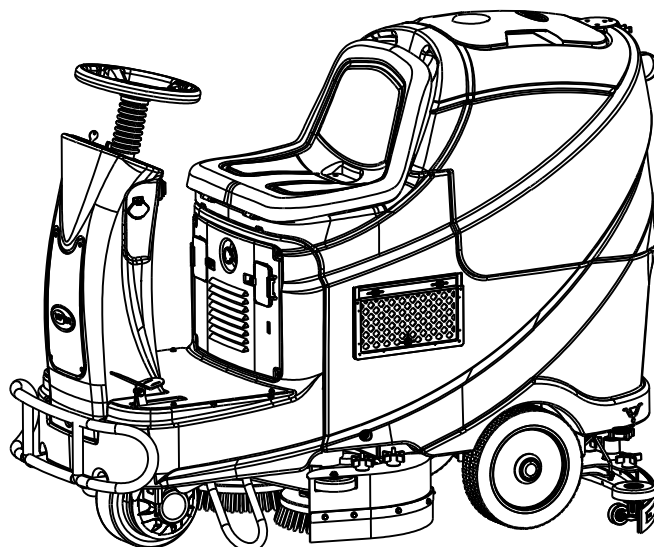


TABLE OF CONTENTS



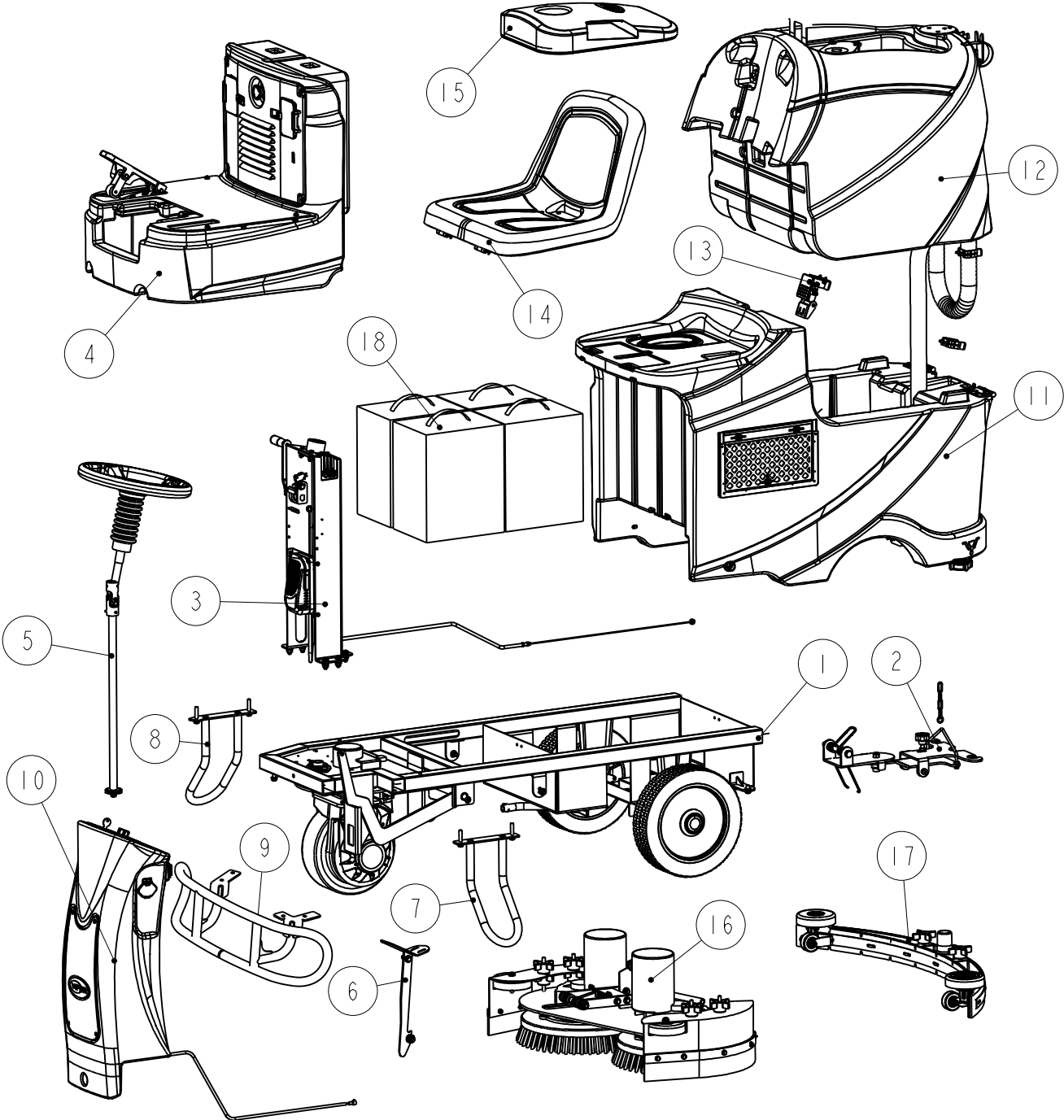
Description	Page
COMPLETE ASSEMBLY	2--3
DRIVE MOTOR AND CHASSIS ASSEMBLY	4--5
DIRECTION CONTROL ASSEMBLY	6--7
FRONT MAIN FRAME ASSEMBLY	8--9
BRUSH ASSEMBLY	10--11
ELECTRIC PARTS ASSEMBLY	12--13
CONTROL HOUSING ASSEMBLY	14--15
SQUEEGEE BRACKET ASSEMBLY	16--17
SQUEEGEE ASSEMBLY	18--19
SOLUTION TANK ASSEMBLY	20--21
RECOVERY TANK ASSEMBLY	22--23
SEAT ASSEMBLY	24--25
BUMPER ASSEMBLY	26--27
ELECTRIC PARTS	28--29
OTHER ELECTRIC PARTS ASSEMBLY	30--31
MAIN CONNECTING WIRE-VR13440	32
WEAR AND TEAR PARTS	33

WHEN ORDERING PARTS

- * Use the 7, 8 or 9 sign from the "Part No." columns in this parts list.
- * Specify the model and serial number of the machine.
- * Use the space below to record the model and serial number for future reference.

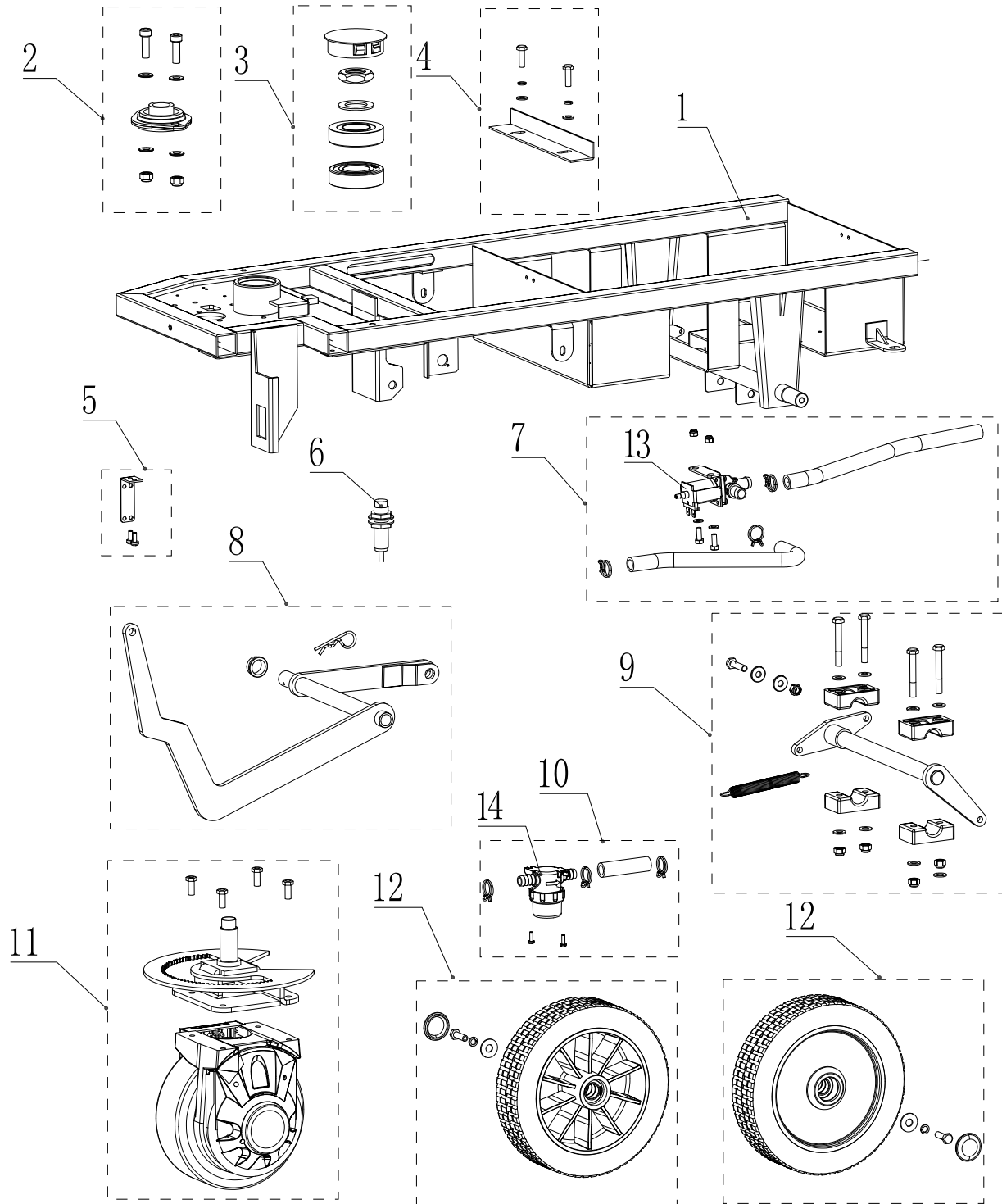
Model _____ Serial No. _____

COMPLETE ASSEMBLY



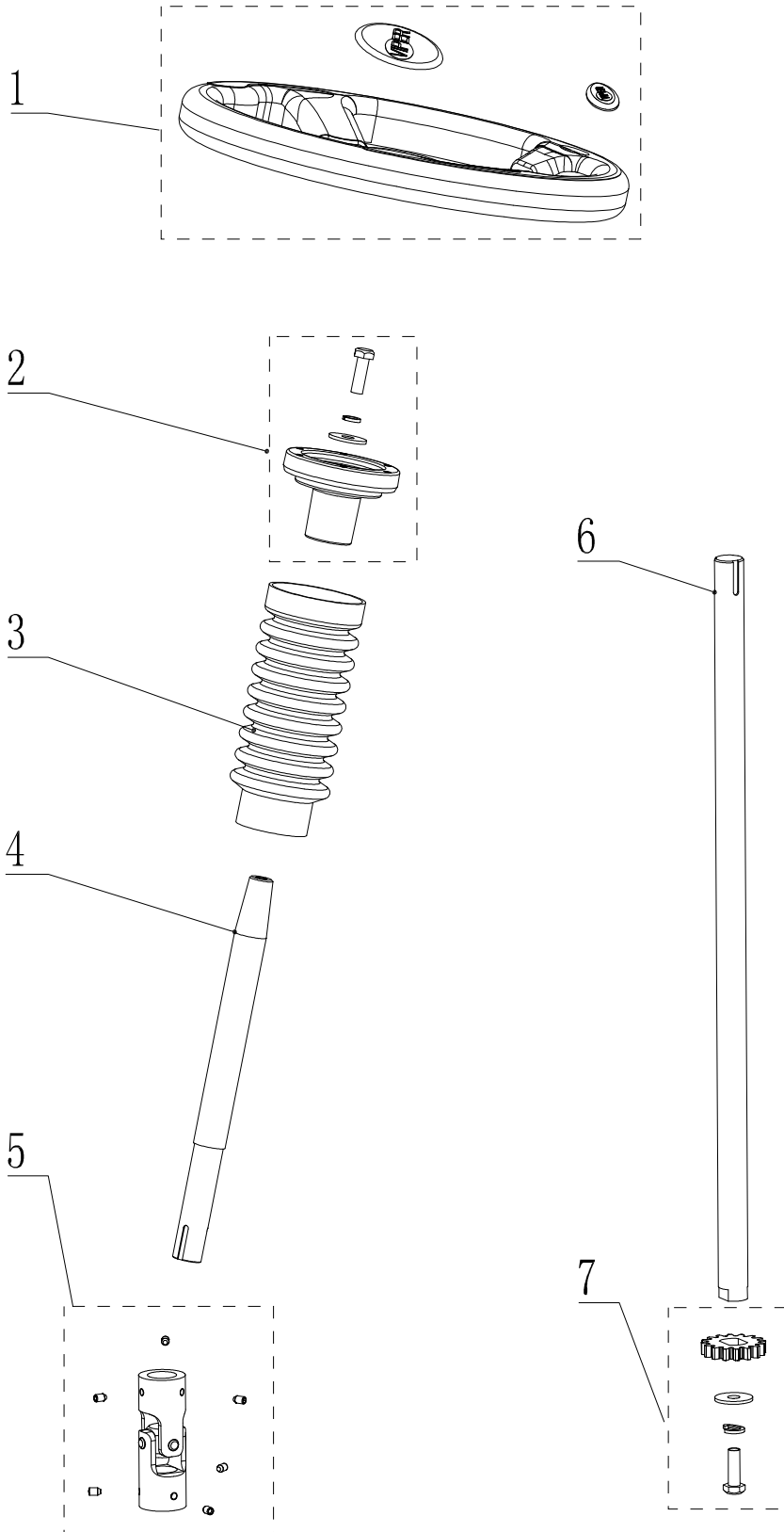
COMPLETE ASSEMBLY		
Item	Description	Qty
1	DRIVER ASSY AND MAIN FRAME	1
2	SQUEEGEE BRACKET ASSEMBLY	1
3	FRONT MAIN FRAME ASSEMBLY	1
4	ELECTRI PARTS ASSEMBLY	1
5	DIRECTION CONTROL ASSEMBLY	1
6	LIFT BRUSH PEDAL ASSEMBLY	1
7	LEFT CRUSH-PROTECT ASSEMBLY	1
8	RIGHT CRUSH-PROTECT ASSEMBLY	1
9	KIT FRONT CRUSH-PROTECT	1
10	FRONT HOUSING ASSEMBLY	1
11	SOLUTION TANK ASSEMBLY	1
12	RECVOERY TANK ASSEMBLY	1
13	RECOVERY TANK LOCK ASSEMBLY	1
14	SEAT ASSEMBLY	1
15	RECOVERY TANK COVER ASSEMBLY	1
16	BRUSH ASSEMBLY	1
17	SQUEEGEE ASSEMBLY	1
18	BATTERIES 6V 245AH	4

DRIVE MOTOR AND CHASSIS ASSEMBLY



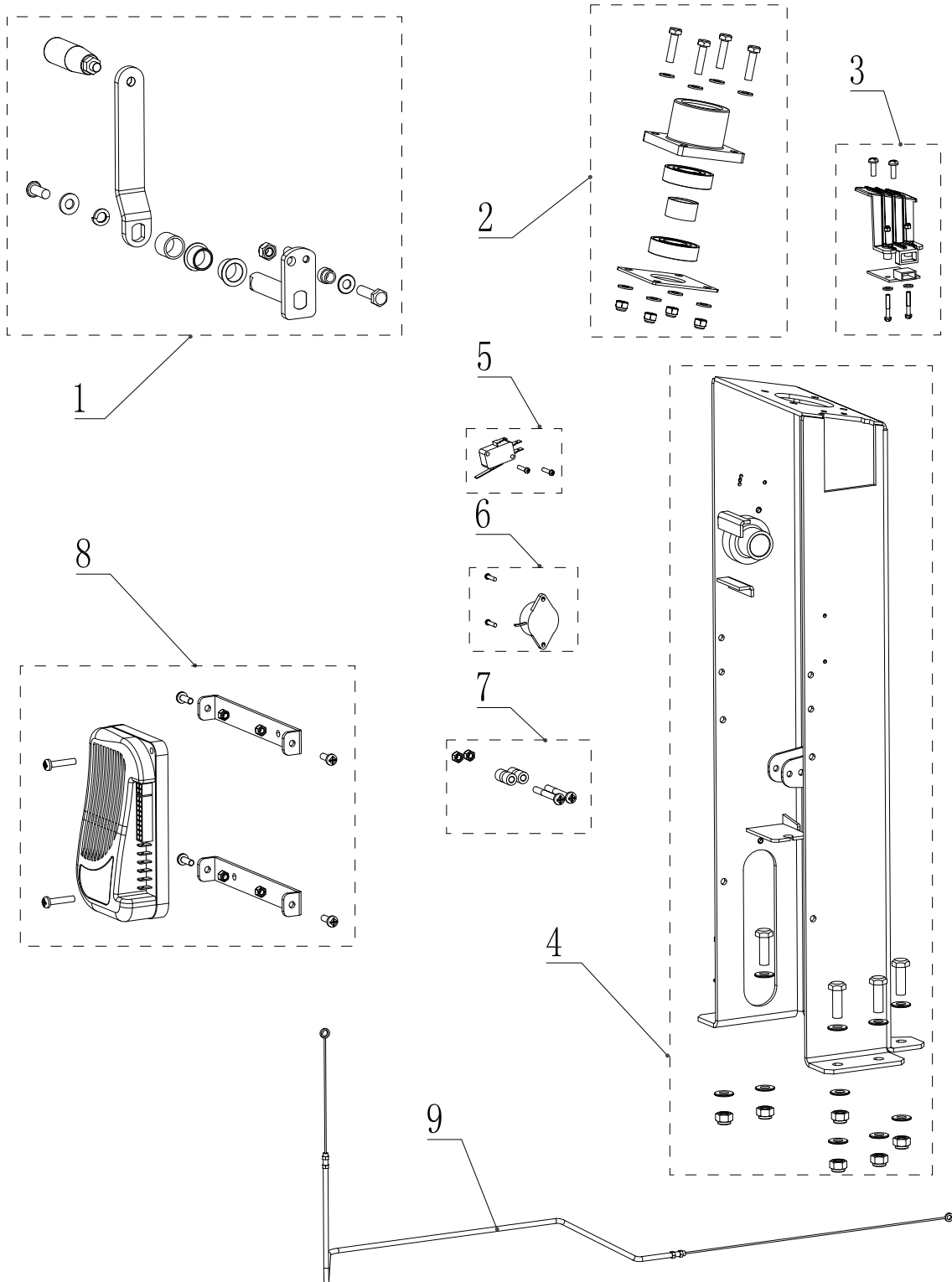
DRIVE MOTOR AND CHASSIS ASSEMBLY			
Item	Part No	Description	Qty
1	VR11100	CHASSIS	1
2	VR11016	KIT BEARING WITH BRACKET	1
3	VR11501	KIT DRIVE MOTOR BEARING	1
4	VR11502	KIT BATTERY BRACKET	1
5	VR11503	KIT DRIVE MOTOR BRACKET	1
6	VR13435	SENSOR SWITCH	1
7	VR11506	KIT SOLENOID VALVE	1
8	VR11505	BRACKET KIT BRUSH LIFT	1
9	VR11507	BRACKET KIT SQUEEGEE LIFT	1
10	VR11508	KIT FILTER	1
11	VR11200	KIT DRIVE MOTOR	1
12	VR11504	KIT REAR WHEEL	2
13	VR11600	VALVE	1
14	VF90621	FILTER	1

DIRECTION CONTROL ASSEMBLY



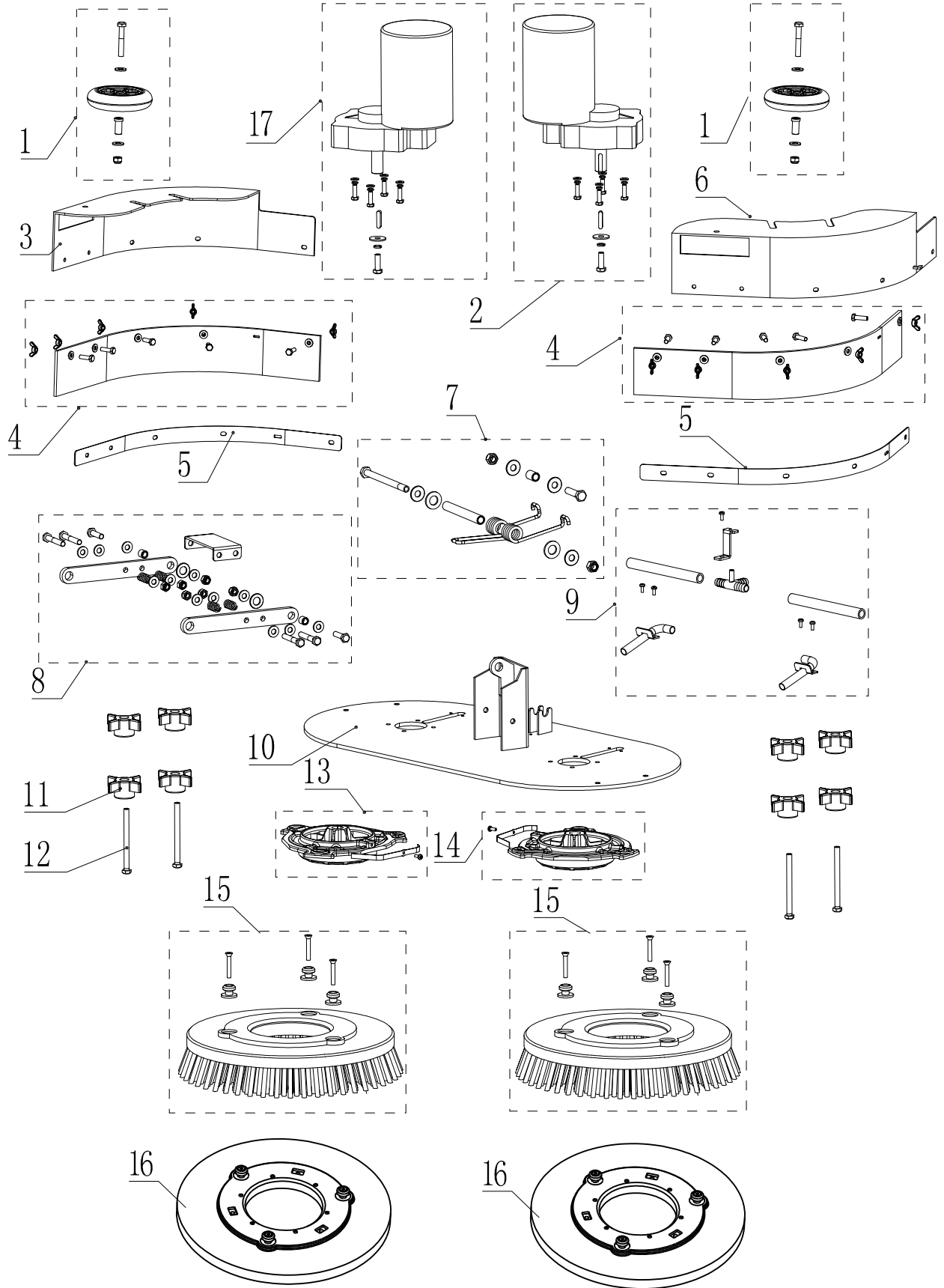
DIRECTION CONTROL ASSEMBLY			
Item	Part No	Description	Qty
1	VR10033	STEERING WHEEL	1
2	VR10039	RUBBER SLEEVE STEERING WHEEL	1
3	VR10014	KIT STEERING WHEEL LOCK	1
4	VR10001	UP SHAFT STEERING WHEEL	1
5	VR10040	KIT UNIVERSAL JOINT	1
6	VR11301	DOWN SHAFT STEERING WHEEL	1
7	VR11303	KIT GEAR	1

FRONT MAIN FRAME ASSEMBLY



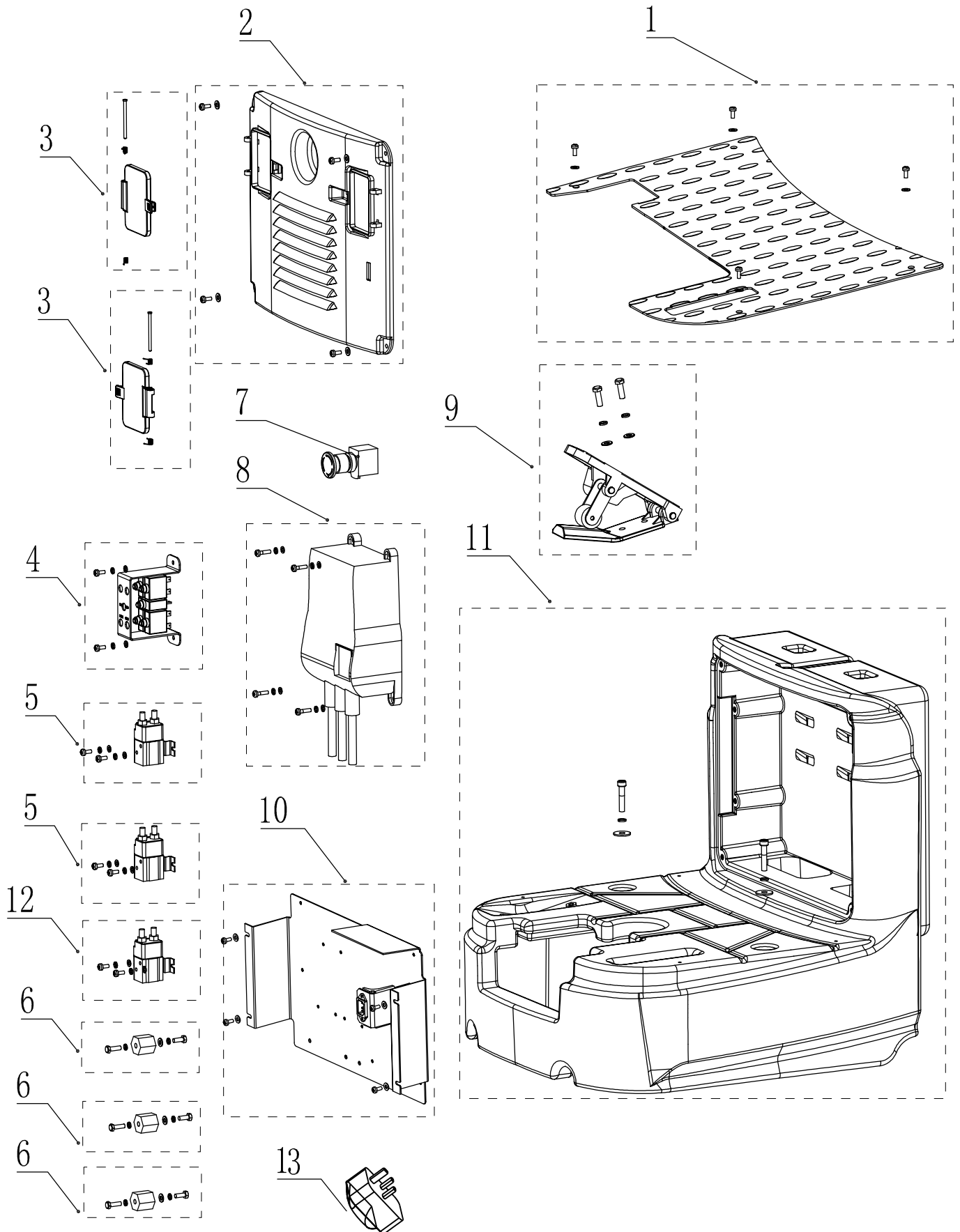
FRONT MAIN FRAME ASSEMBLY			
Item	Part No	Description	Qty
1	VR12100	HANDLE KIT SQUEEGEE LIFT	1
2	VR12200	KIT BEARING BASE	1
3	VR12300	KIT USB	1
4	VR12401	KIT FRONT FRAME	1
5	VR12403	KIT SQUEEGEE SWITCH	1
6	VR12013	KIT HORN	1
7	VR12402	KIT CABLE GUIDE WHEEL SQUEEGEE LIFT	1
8	VR12404	KIT DRIVE MOTOR CONTROL	1
9	VR12004	CABLE SQUEEGEE LIFT	1

BRUSH ASSEMBLY



BRUSH ASSEMBLY			
Item	Part No	Description	Qty
1	VR14016	KIT BUMPER WHEEL	2
2	VR14013	KIT BRUSH MOTOR LEFT	1
3	VR14501	BRUSH SKIRT MOUNT RIGHT	1
4	VR14015	KIT BRUSH SKIRT	2
5	VR14403	STRAP KIT SKIRT	2
6	VR14401	BRUSH SKIRT MOUNT LEFT	1
7	VR14017	KIT BRUSH TORSION SPRING	1
8	VR14012	KIT BRUSH LIFT ARM	1
9	VR14014	KIT BRUSH WATER OUTLET	1
10	VR14001	BRUSH MOUNTING FARAME	1
11	VF81210	TUMB NUT	8
12	VR14005	BOLT M8X100 HEX	4
13	VR14100	KIT LEFT BRUSH HUB	1
14	VR14200	KIT RIGHT BRUSH HUB	1
15	VR14300	KIT BRUSH	2
16	VR14303	PAD DRIVER 14"	2
17	VR14023	KIT BRUSH MOTOR RIGHT	1

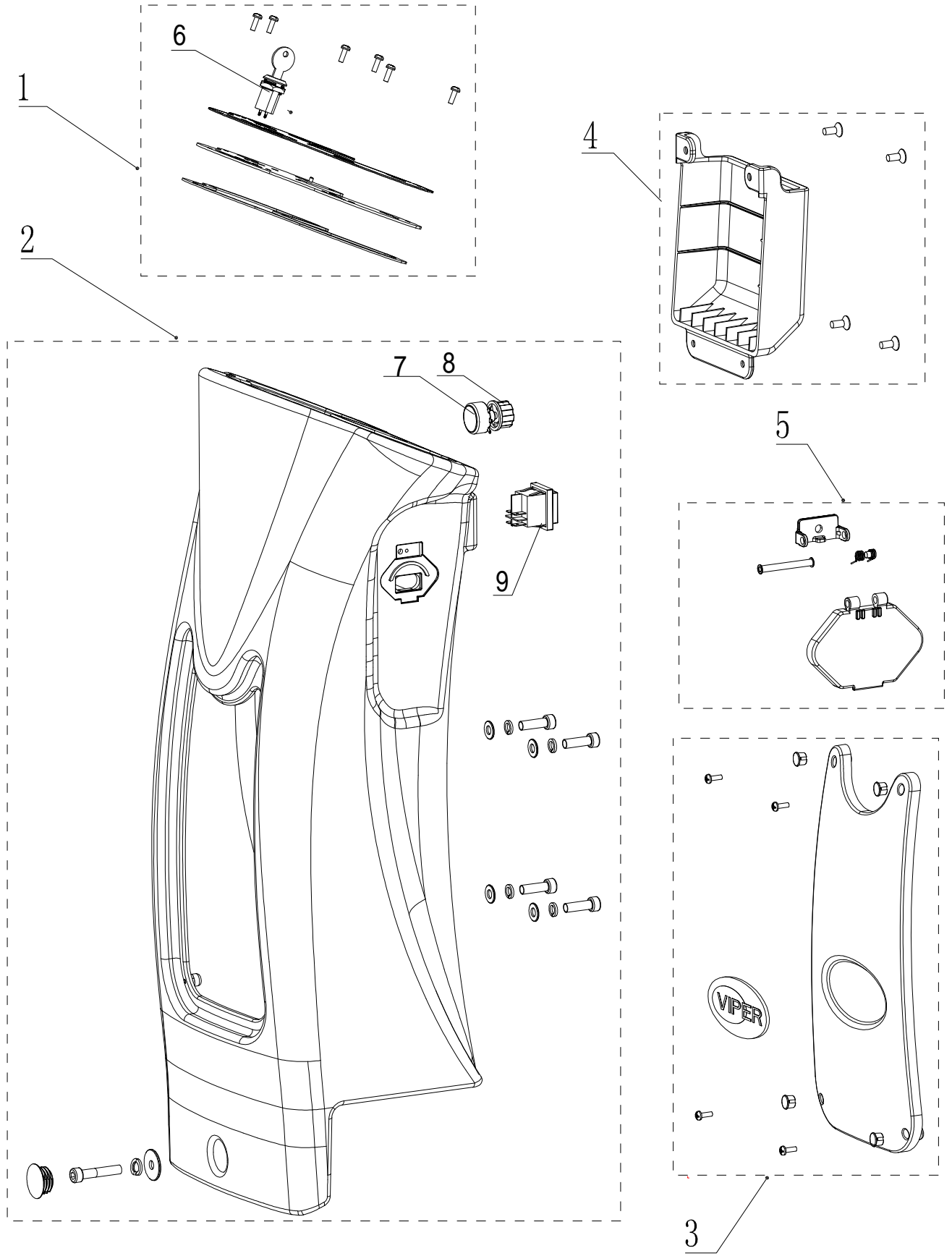
ELECTRIC PARTS ASSEMBLY



ELECTRIC PARTS ASSEMBLY			
Item	Part No	Description	Qty
1	VR13003	KIT ANTI-SKID PLATE	1
2	VR13110	LID KIT ELECTRIC BOX	1
3	VR13120	KIT TRANSPARENT LID	2
4	VR13220	KIT BREAKER	1
5	VR13230	KIT CONTACTOR	2
6	VR13250	KIT CONNECT WIRE POLE	3
7	VR13132	EMERGENCY-STOP BUTTON	1
8	VR13240	KIT CHARGER EU VERSION	1
	VR13445	KIT CHARGER CN VERSION	1
	VR13442	KIT CHARGER US VERSION	1
9	VR13300	KIT SPEED CONTROL PEDAL	1
10	VR13210	KIT ELECTRIC PARTS MOUNTING PLATE	1
11	VR13004	KIT ELECTRIC BOX	1
12	VR13260	KIT RELAY	1
13*	VF82178	UK CONVERTER	1

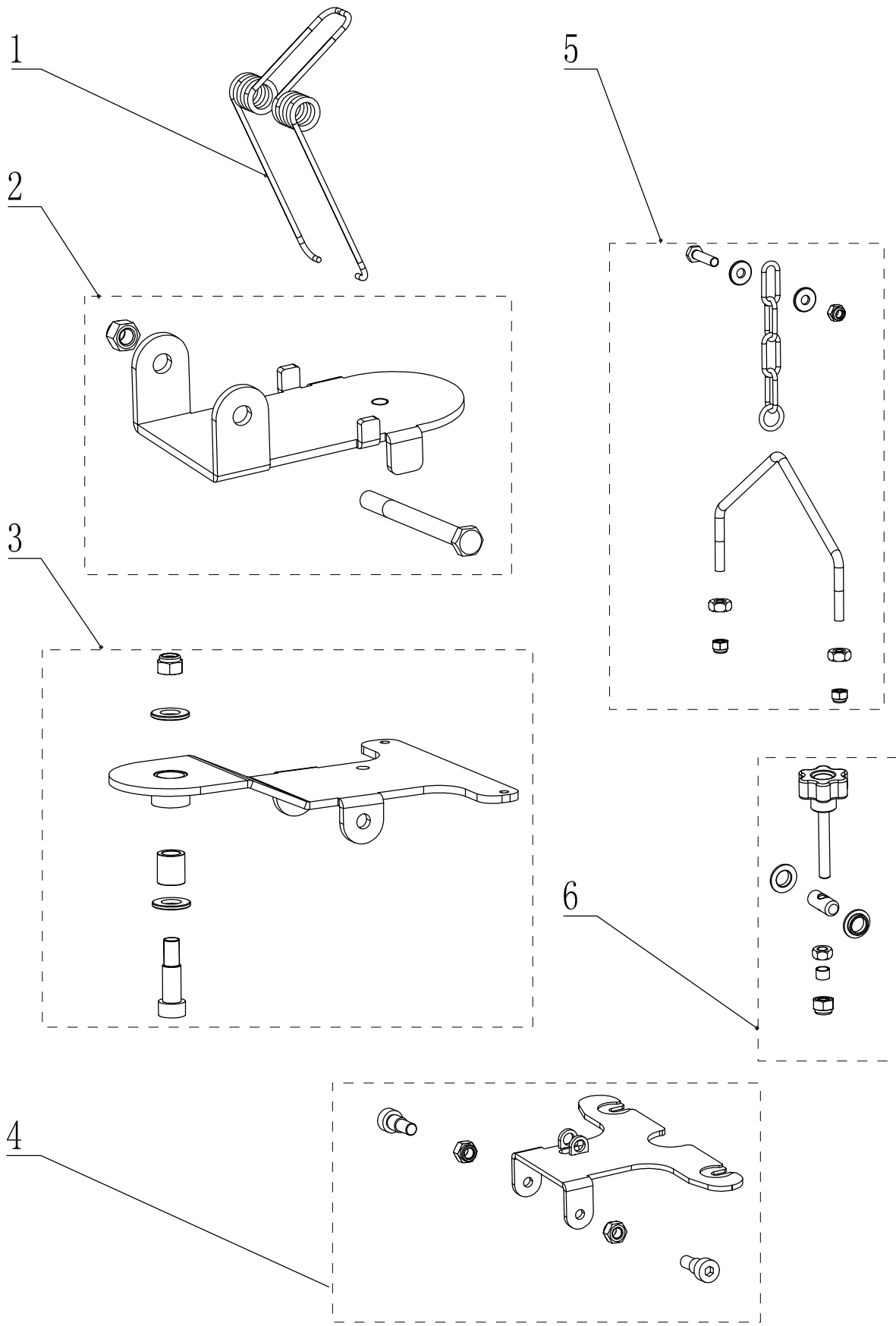
*-----OPTIONAL

CONTROL HOUSING ASSEMBLY



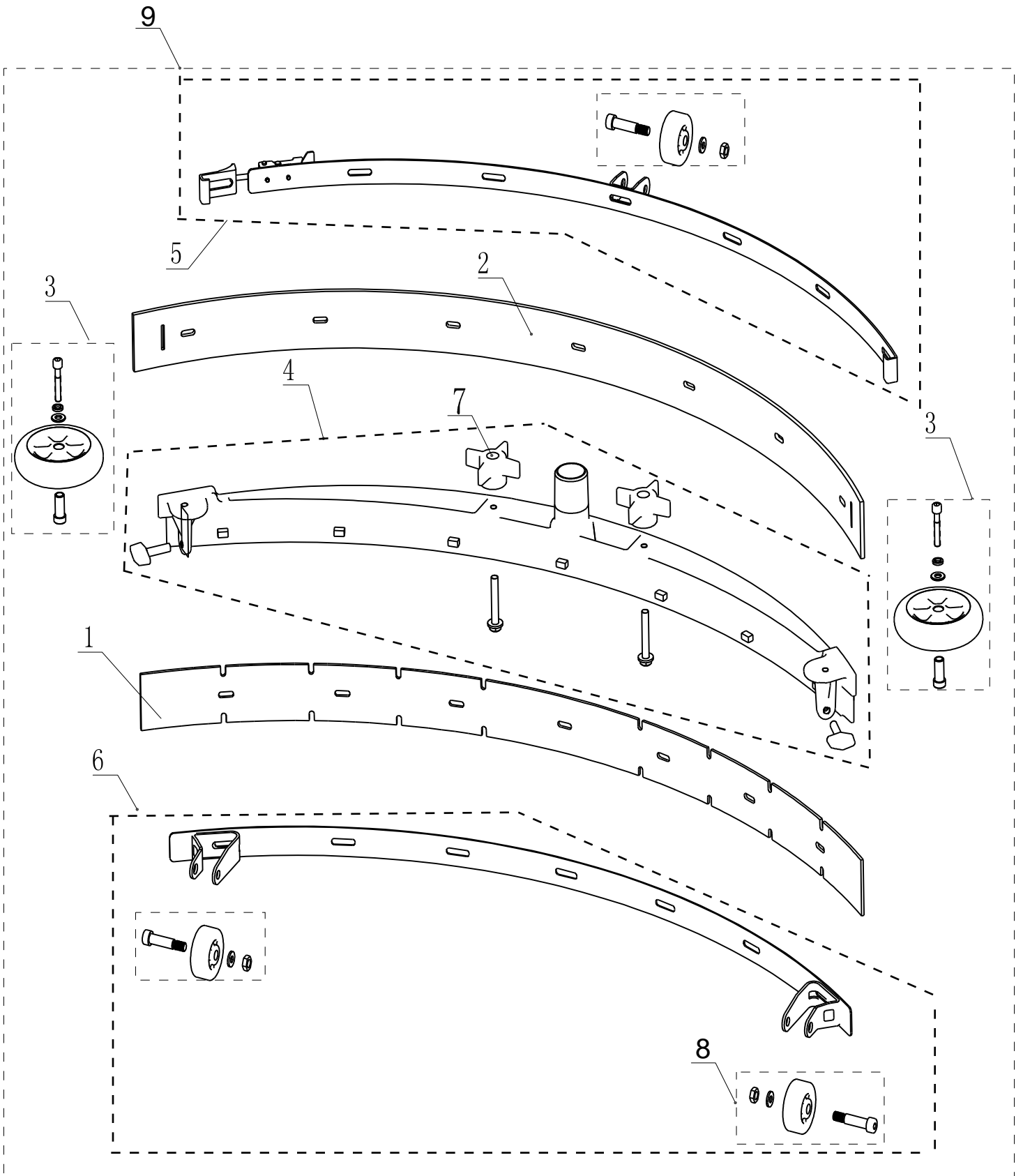
CONTROL HOUSING ASSEMBLY			
Item	Part No	Description	Qty
1	VR15100	KIT CONTROL PANEL	1
2	VR15008	KIT CONTROL HOUSING	1
3	VR15009	LID KIT DRIVE MOTOR CONTROL	1
4	VR15011	KIT PHONE STORAGE	1
5	VR15200	KIT USB COVER	1
6	VR13436	KEY SWITCH	1
7	VR13441	SPEED POTENTIOMETER	1
8	VF81730	POTENTIOMETER KNOB	1
9	VR15110	FORWARD OR REVERSE BUTTON	1

SQUEEGEE BRACKET ASSEMBLY



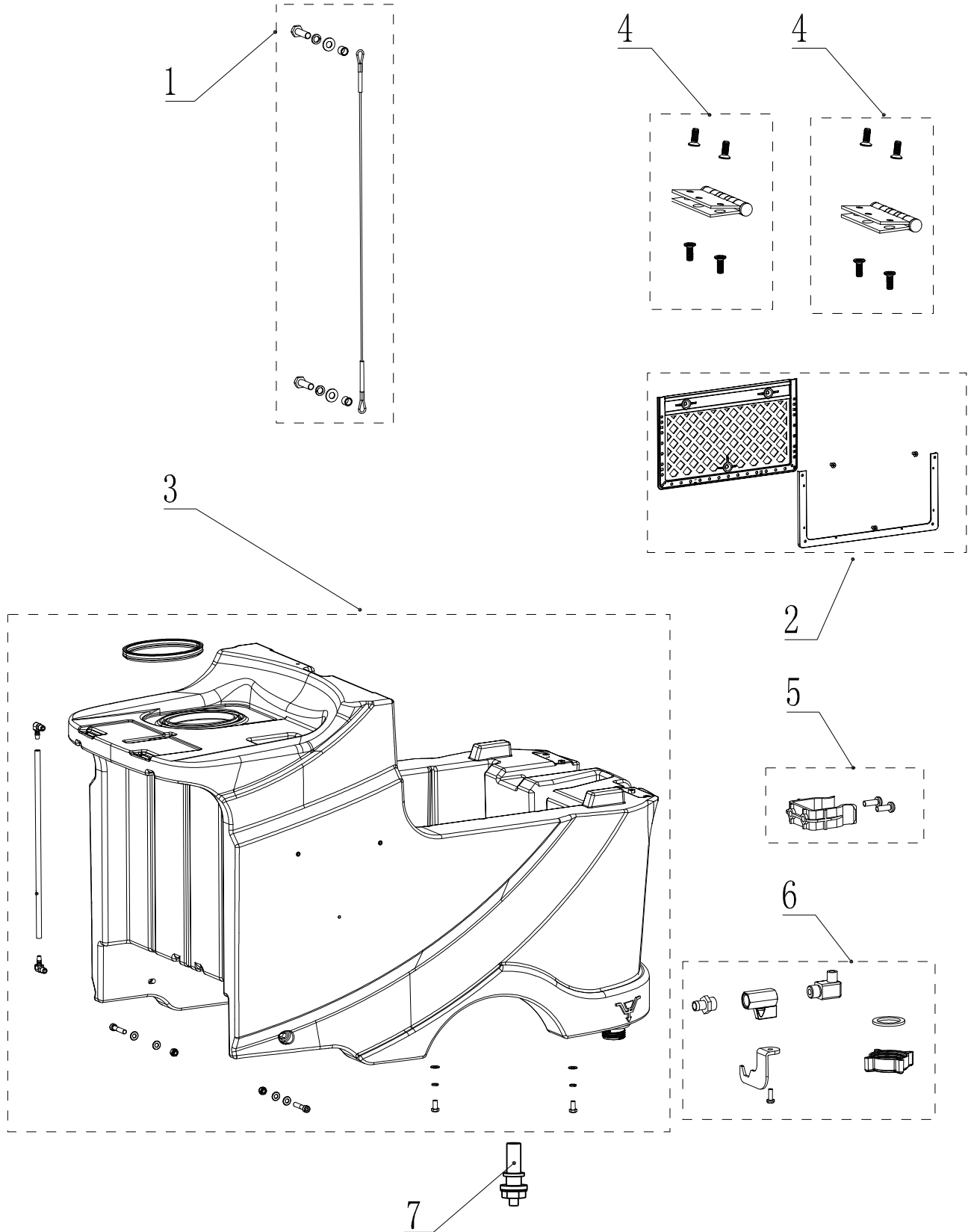
SQUEEGEE BRACKET ASSEMBLY			
Item	Part No	Description	Qty
1	VR11402	TORSION SPRING SQUEEGEE	1
2	VR11408	KIT SQUEEGEE BRACKET	1
3	VR11409	KIT SQUEEGEE MOUNTING PIVOT	1
4	VR11410	KIT SQUEEGEE ADJUSTMENT BRACKET	1
5	VR11411	KIT SQUEEGEE LIFT CHAIN	1
6	VR11412	KIT SQUEEGEE ADJUSTMENT HANDLE	1

SQUEEGEE ASSEMBLY



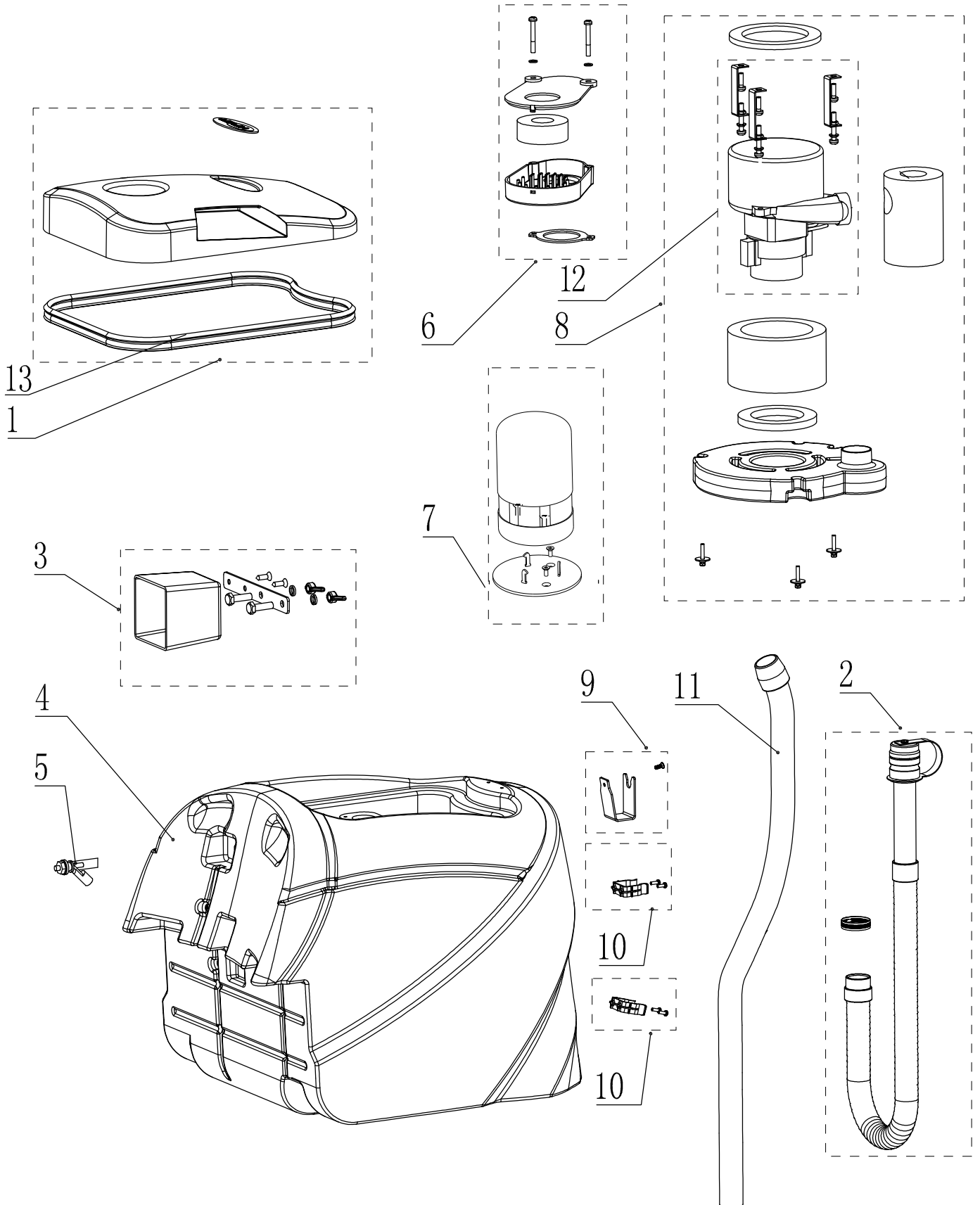
SQUEEGEE ASSEMBLY			
Item	Part No	Description	Qty
1	VR16002	SQUEEGEE BLADE FRONT	1
2	VR16003	SQUEEGEE BLADE REAR	1
3	VR16007	WHEEL KIT BUMPER	1
4	VR16008	SQUEEGEE ALUMINUM BODY	1
5	VR16200	STRAP KIT REAR SQUEEGEE	1
6	VR16100	STRAP KIT FRONT SQUEEGEE	1
7	VF81210	TUMB NUT	2
8	VF90136	SQUEEGEE GUIDE WHEEL	3
9	VR16000	SQUEEGEE ASSEMBLY	1

SOLUTION TANK ASSEMBLY



SOLUTION TANK ASSEMBLY			
Item	Part No	Description	Qty
1	VR17170	PULL CABLE RECOVERY TANK	1
2	VR17300	KIT NET BAG	1
3	VR17601	KIT SOLUTION TANK	1
4	VR17602	HINGE KIT RECOVEY TANK	2
5	GV70034	HOSE CLAMP	2
6	VR17604	KIT WATER ADJUSTMENT	1
7	VR13430	SWITCH SOLUTION TANK WATER LEVEL	1

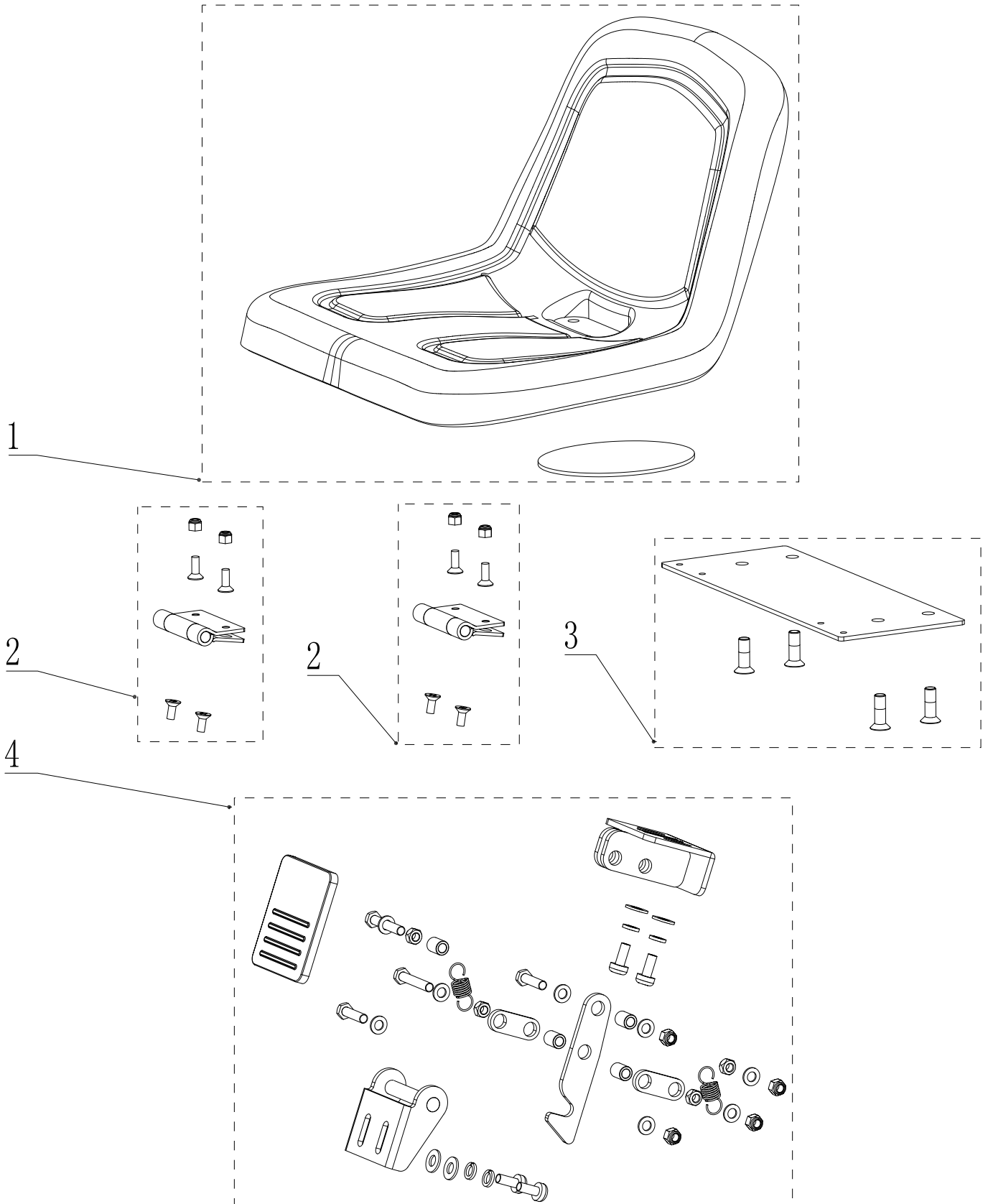
RECOVERY TANK ASSEMBLY



RECOVERY TANK ASSEMBLY			
Item	Part No	Description	Qty
1	VR17140	LID KIT RECOVERY TANK	1
2	VR17606	KIT DRAIN HOSE	1
3	VR17107	LID KIT WATER LEVEL SWITCH RECOVERT TANK	1
4	VR17101	RECOVERY TANK	1
5	VR13431	SWITCH WATER LEVEL RECOVERY TANK	1
6	VR17130	KIT VACUUM HOLE	1
7*	VR17160	KIT WARNING LIGHT	1
8	VR17120	KIT VACUUM MOTOR AND FIXING	1
9	VR17605	KIT SQUEEGEE HOOK	1
10	VR17603	KIT HOSE CLAMP	2
11	VR17006	SQUEEGEE HOSE	1
12	VR17119	KIT VACUUM MOTOR	1
13	VR17109	SEALING	1

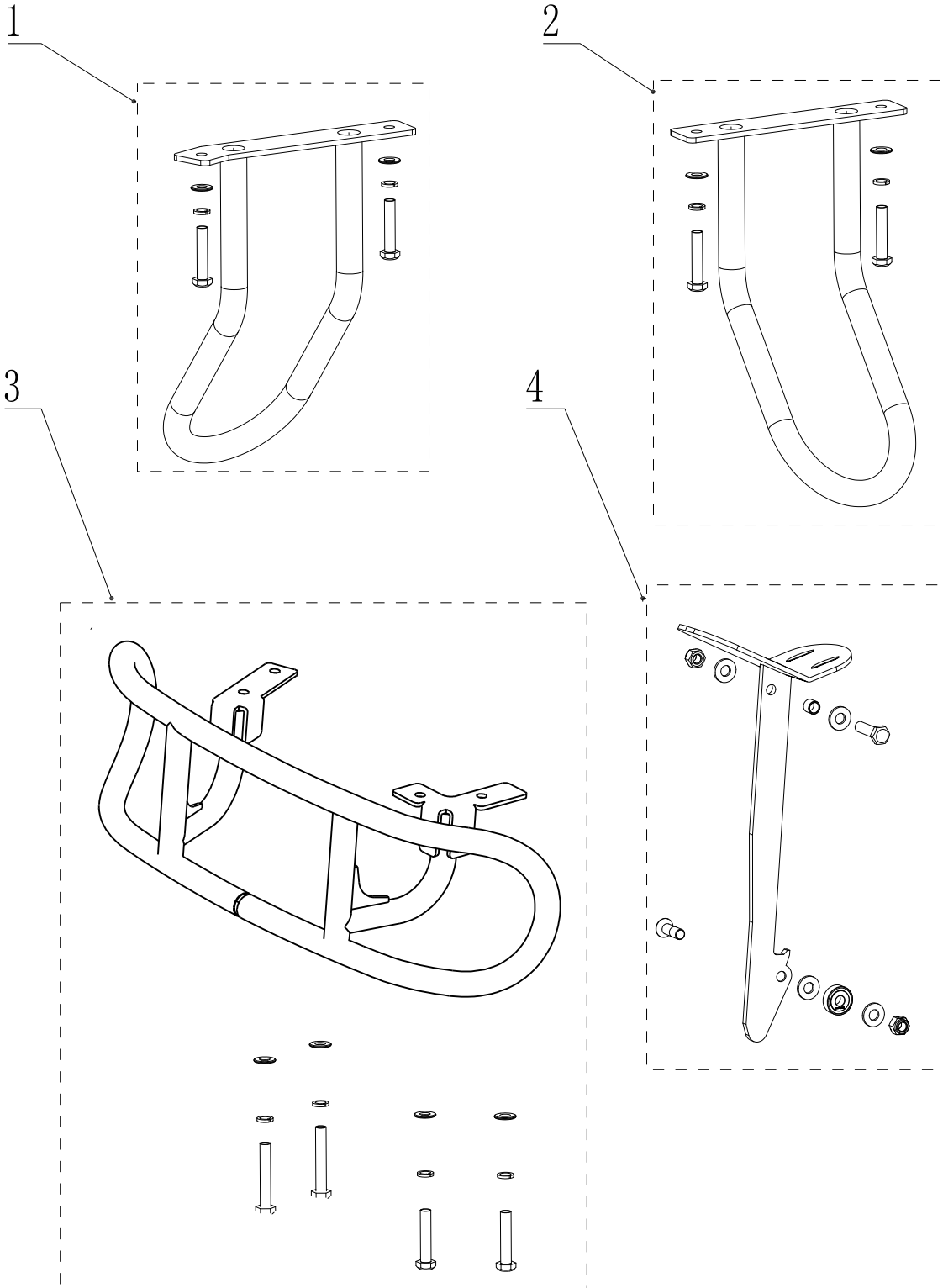
*-----OPTIONAL

SEAT ASSEMBLY



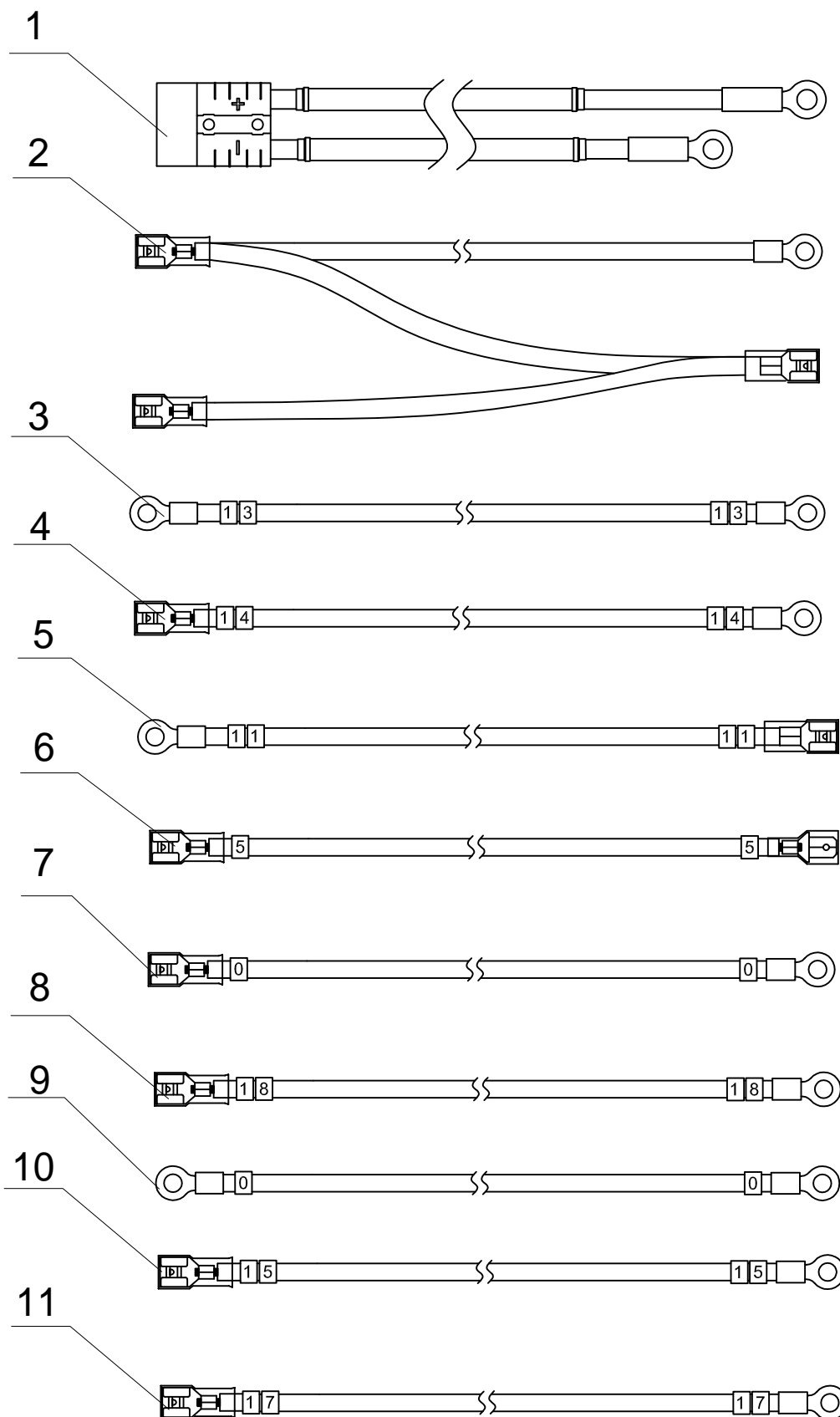
SEAT ASSEMBLY			
Item	Part No	Description	Qty
1	VR17405	KIT SEAT	1
2	VR17406	HINGE KIT SEAT	2
3	VR17407	KIT SEAT MOUNTING PLATE	1
4	VR17200	KIT RECOVERY TANK LATCH	1

BUMPER ASSEMBLY



BUMPER ASSEMBLY			
Item	Part No	Description	Qty
1	VR10028	KIT RIGHT BUMPER	1
2	VR10026	KIT LEFT BUMPER	1
3	VR10027	KIT FRONT BUMPER	1
4	VR10012	PEDAL KIT BRUSH LIFT	1

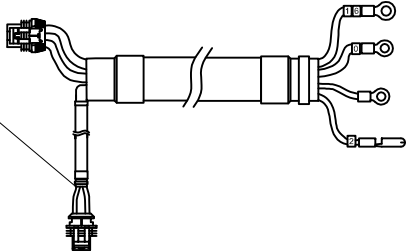
ELECTRIC PARTS



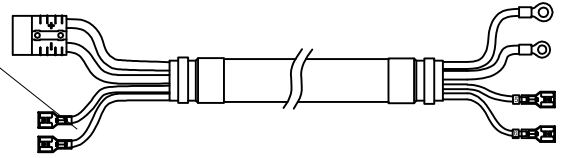
ELECTRIC PARTS			
Item	Part No	Description	Qty
1	VR13414	KIT BATTERIES 24V WIRE	1
2	VR13418	KIT CONTACTOR WIRE	1
3	VR13424	MAIN CONTACTOR TO BRUSH MOTOR CONTACTOR WIRE	1
4	VR13422	VACUUM MOTOR BREAKER TO VACUUM MOTOR BREAKER WIRE	1
5	VR13425	BRUSH MOTOR CONTACTOR TO BRUSH MOTOR BREAKER WIRE	1
6	VR13421	MAIN BREAKER TO EMERGENCY-STOP BUTTON WIRE	1
7	VR13417	MAIN CONTACTOR TO NEGATIVE CONNECT POLE WIRE	1
8	VR13419	MAIN CONTACTOR TO MAIN BREAKER WIRE	1
9	VR13416	NEGATIVE CONNECT POLE WIRE	1
10	VR13420	MAIN CONTACTOR TO VACUUM MOTOR BREAKER WIRE	1
11	VR13437	MAIN CONTACTOR TO DRIVE MOTOR BREAKER WIRE	1

OTHER ELECTRIC PARTS ASSEMBLY

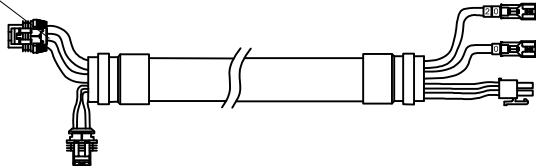
1



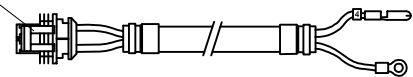
5



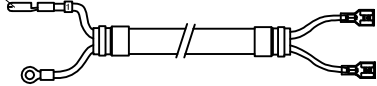
2



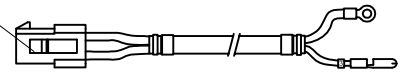
6



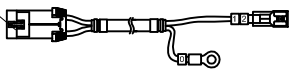
3



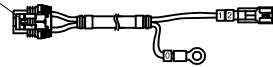
7



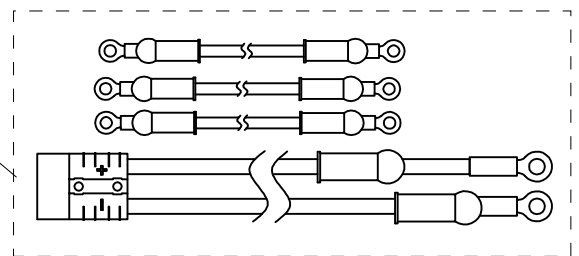
4



8

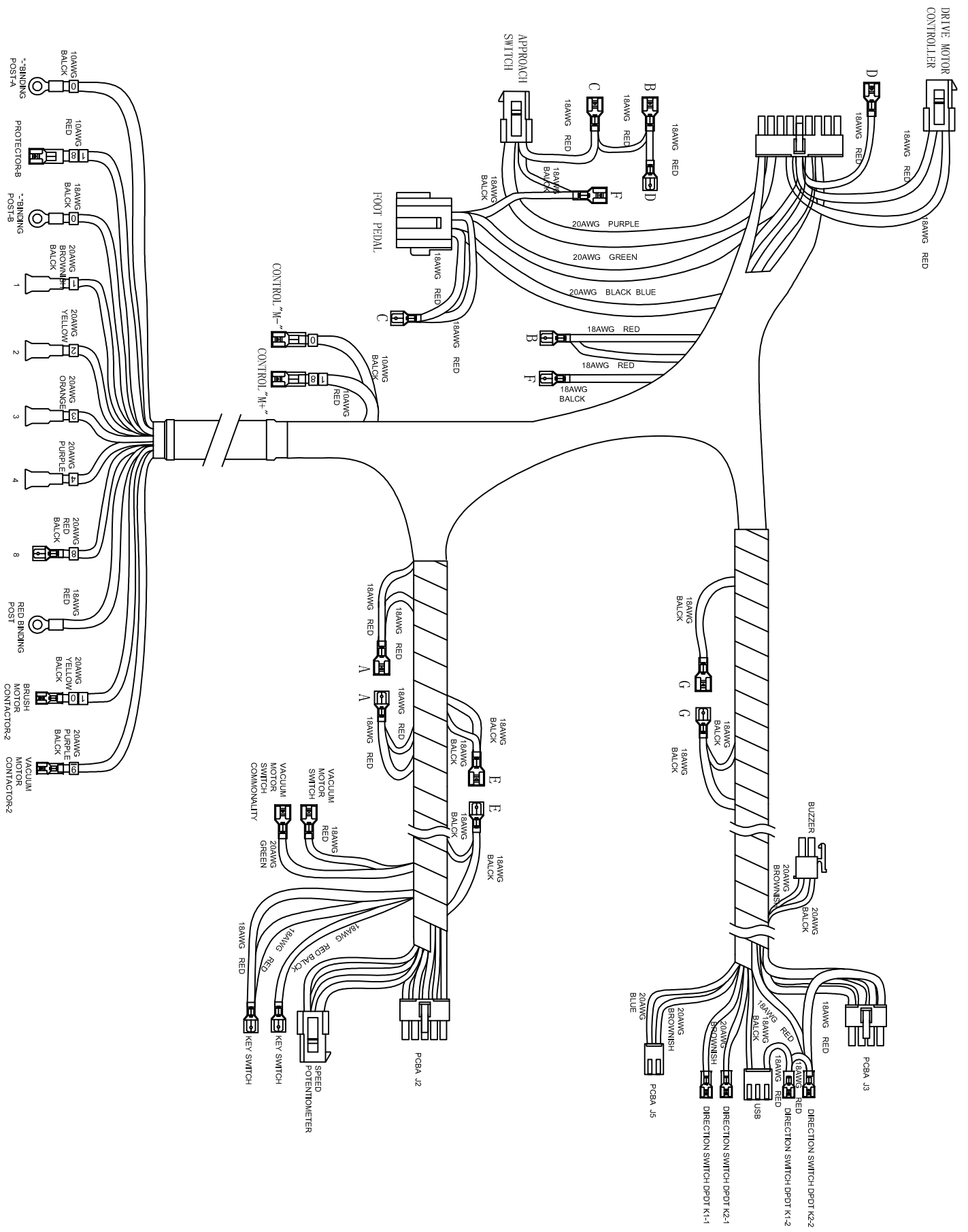


9



OTHER ELECTRIC PARTS ASSEMBLY			
Item	Part No	Description	Qty
1	VR13423	KIT VACUUM MOTOR WIRE EU VERSION	1
	VR13443	KIT VACUUM MOTOR WIRE CN/US VERSION	1
2	VR13438	KIT DRIVE MOTOR WIRE	1
3	VR13428	KIT WATER ELETRO VALVE WIRE	1
4	VR13426	KIT RIGHT BRUSH MOTOR WIRE	1
5	VR13413	KIT OUTWITH CHARGER WIRE	1
6	VR13429	SWITCH SOLUTION TANK WATER LEVEL WIRE	1
7	VR13433	KIT SEAT SWITCH WIRE	1
8	VR13427	KIT LEFT BRUSH MOTOR WIRE	1
9	VR13412	KIT BATTERIES 6V 245AH WIRE	1

MAIN CONNECTING WIRE-VR13440



WEAR AND TEAR PARTS			
Item	Part No	Description	Qty
1	VR11506	KIT SOLENOID VALVE	1
2	VR12403	KIT SQUEEGEE SWITCH	1
3	VR12013	KIT HORN	1
4	VR14016	KIT BUMPER WHEEL	2
5	VR14015	KIT BRUSH SKIRT	2
6	VR14300	KIT BRUSH	2
7	VR13220	KIT BREAKER	1
8	VR13132	EMERGENCY-STOP BUTTON	1
9	VR15100	KIT CONTROL PANEL	1
10	VR16002	SQUEEGEE BLADE FRONT	1
11	VR16003	SQUEEGEE BLADE REAR	1
12	VR17300	KIT NET BAG	1
13	VR17603	KIT HOSE CLAMP	3
14	VR13431	SWITCH WATER LEVEL RECOVERY TANK	1
15	VR17006	SQUEEGEE HOSE	1
16	VR17606	KIT DRAIN HOSE	1
17	VR11600	VALVE	1
18	VF90621	FILTER	1
19	VR13436	KEY SWITCH	1
20	VR13441	SPEED POTENTIOMETER	1
21	VF81730	POTENTIOMETER KNOB	1
22	VR15110	FORWARD OR REVERSE BUTTON	1
23	VF81210	TUMB NUT	2
24	VF90136	SQUEEGEE GUIDE WHEEL	3
25	VR17109	SEALING	1
26	VR14303	PAD DRIVER 13"	2



www.vipercleaning.com