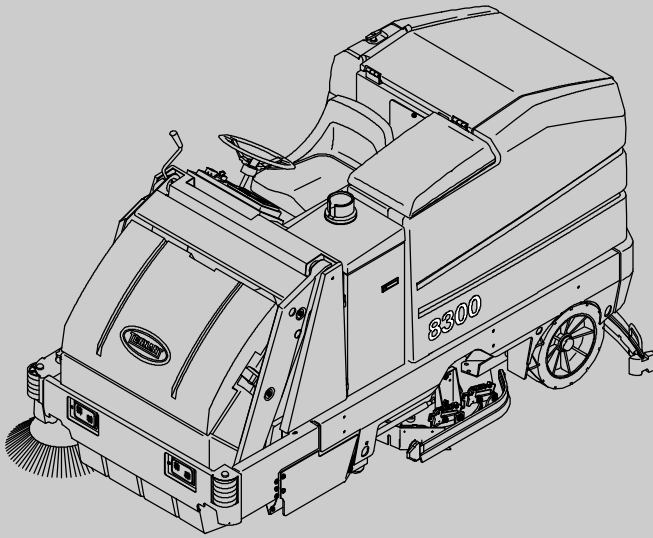
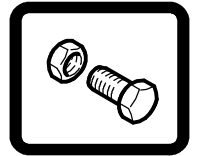




8300

(Battery)

Sweeper Scrubber Parts Manual



The Safe Scrubbing Alternative[®]
ES[®] Extended Scrub System
TennantTrue[™] Parts and Supplies



North America / International

www.tennantco.com

330630
Rev. 14 (3-2011)



When ordering replacement parts, use the illustrated parts list section in this manual. Before ordering parts or supplies, be sure to have your machine model number and serial number available. Only use TENNANT Company supplied or equivalent parts. Parts and supplies may be ordered online, by phone, or mail from any authorized parts and service center, distributor or from any of the manufacturer's subsidiaries.

This machine will provide excellent service. However, the best results will be obtained at minimum costs if:

- The machine is operated with reasonable care.
- The machine is maintained regularly - per the machine maintenance instructions provided.
- The machine is maintained with manufacturer supplied or equivalent parts.

MACHINE DATA

Please fill out at time of installation for future reference.

Model No.- _____

Serial No.- _____

Machine Options - _____

Sales Rep. - _____

Sales Rep. phone no. - _____

Customer Number - _____

Installation Date - _____

Machine Data Plate



Tennant Company
PO Box 1452
Minneapolis, MN 55440
Phone: (800) 553-8033 or (763) 513-2850
www.tennantco.com

Thermo-Sentry, SmartRelease, SuperScrub, and MaxPro are US registered and unregistered trademarks of Tennant Company.

Specifications and parts are subject to change without notice.

Copyright © 2000 - 2002, 2004 - 2011 TENNANT Company, Printed in U.S.A.

HOW TO USE THIS MANUAL

This section on *HOW TO USE THIS MANUAL* will tell you how to:

- Find important machine information for ordering correct repair parts.
- Find TENNANT part numbers.
- Order TENNANT parts and supplies.

IMPORTANT INFORMATION

When placing an order for parts, the machine model and machine serial number are important. Refer to the *MACHINE DATA* box which is filled out during the installation of your machine. The *MACHINE DATA* box is located on the inside of the front cover of this manual.

MACHINE DATA - MASCHINEN-DATEN - DONNEES CONCERNANT LA MACHINE	
Please fill out at time of installation for future reference. Bitte bei Inbetriebnahme der Maschine ausfüllen für zukünftige Referenz. Veuillez compléter au moment de la mise en service comme référence future.	
Machine Model Number - 7300	
Maschinen Modell - 7300	
Numero de modele de la machine - 7300	
Machine Serial Number -	
Maschinen Serien Nummer -	
Numero de serie de la machine -	
Machine Options -	
Maschinen Optionen -	
Options de la machine -	
TENNANT Representative Name -	
TENNANT Vertretung (Tel. für 2 -	
Nr. de telephone du representant TENNANT -	
Customer ID Number -	
Kunden Nummer -	
Numero d'identification du client -	
Date of installation -	
Installations Datum -	
Date d'installation -	
Manual Number - 330616	
Handbuch Bestell Nummer - 330616	
Numero du manuel - 330616	
Revision: 00	
Print Number: 00	
Printed: 00	
Published: 5-00	
Ausgaben: 5-00	
Date de publication: 6-00	

The model number of your machine is on the side of the machine.



The serial number of your machine is printed on the machine data plate located as shown.



HOW TO USE THIS MANUAL

FINDING A TENNANT PART NUMBER

This manual contains the following sections:

- HOW TO USE THIS MANUAL
- STANDARD PARTS
- OPTIONS
- BREAKDOWNS
- CROSS REFERENCE

The STANDARD PARTS section lists repair parts for standard machines. They are grouped in this general order:

- General wear parts.
- Machine frame and related parts.
- Machine propelling system.
- Scrubbing components.
- Sweeping components.
- Electrical parts.

The OPTION section lists repair parts of options.

The BREAKDOWN section lists available repair parts of major components.

All sections in this manual consist of parts illustrations and corresponding parts lists.

The parts illustrations are numbered with **Ref** numbers which refer to corresponding parts lists.

The parts lists include a number of columns of information:

- **Ref** - column refers to the reference number on the parts illustration.
- ▽ - indicates the part is an assembly.
- ▲ - indicates the part is included in the assembly listed just before it.
- **TENNANT Part No.** - column lists the TENNANT part number for the part.
- **Serial Number** - column indicates the set of machines the part number is applicable to. Serial numbers change when the machine design has been modified. The most current design of the machine is shown in the main illustration, older designs are boxed in a corner of the illustration.
- **Description** - column is a brief description of the part.
- **Qty.** - column lists the quantity of that part used in that area of the machine.

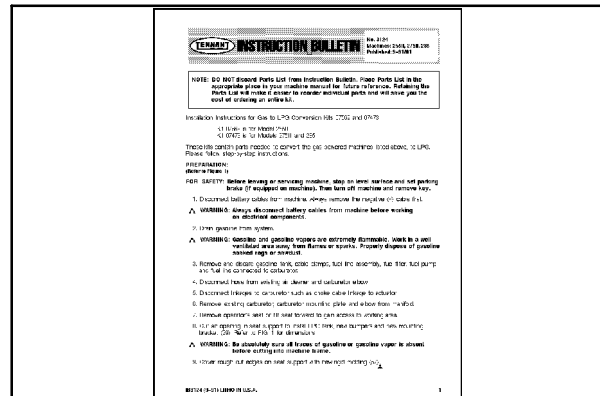
Fig. 3 - Front View

Ref.	Number	Description	Bezeichnung	Designation	Qty
1	7839	Motor, traction	Motor traktion	Motor traction	1
2	02076	Cover, terminal	Batteriepolabdeckung	Cache pole batterie	4
3	7894	Flg	Schmierriepel	Graisseur	2
4	02076	Cover, terminal	Batteriepolabdeckung	Cache pole batterie	4
5	2116	Seal o-ring	O-ring-dichtung	Joint torseuse d'étanchéité	1
6	12540	Bolt, wheel	Radbolzen	Boulon roue	6
7	51791	Bearing and housing	Lagergehäuse	Boîtier roulement	1
8	12546	Seal o-ring	O-ring-dichtung	Joint torseuse d'étanchéité	1
9	50198	Motor, traction 36v	Motor traktion 36v	Motor traction 36v	1
10	02076	Cover, terminal	Batteriepolabdeckung	Cache pole batterie	4

Ref.	Tennant Part No.	Serial number/ Seriennummer/ Numéro de Serie from/ab/du-to/ bis/à	Description	Bezeichnung	Designation	Qty/ Zahl
▽	1	57355	Gearbox	Getriebe	Boîte de vitesses	1
▲	2	57940	O-ring	O-ring	Joint torseuse	2
▲	3	57941	Flg	Stopfen	Bouchon	1
▲	4	57839	Flg-grease, 106.997	Schmierriepel, 106.997	Graisseur, 106.997	2
▲	5	57849	Driving gear	Getriebe	Mécanisme d'entraînement	1
▲	6	12540	Bolt, wheel	Radbolzen	Boulon roue	6
▲	7	51791	Bearing and housing	Lagergehäuse	Boîtier roulement	1
6	12546	Seal o-ring	O-ring-dichtung	Joint torseuse d'étanchéité	1	
9	50198	Motor, traction 36v	Motor traktion 36v	Motor traction 36v	1	
10	02076	Cover, terminal	Batteriepolabdeckung	Cache pole batterie	4	

NOTE: If a service kit is installed on your machine, be sure to keep the **INSTRUCTION BULLETIN** which came with the kit. It contains repair parts numbers needed for ordering future parts.

NOTE: Fasteners used in this machine may be metric or non-metric. Take care when replacing hardware to replace with same thread size.



PLACING AN ORDER

Orders may be placed by phone, fax, or by mail. Phone orders may need written confirmation. Follow the steps below to insure prompt delivery:

1. Identify the model number of your machine.
2. Identify the serial number of your machine.
3. Find the part number of the part you need. Do not order by page number or reference number. If you are not able to find the part number, call your TENNANT representative for help or send the old part as a sample.
4. Determine the quantity of the part you need.
5. Provide the following company information:
 - Company name
 - Customer ID Number
 - Shipping address
 - Billing address
 - First and last name of person ordering parts
 - Telephone number
 - Purchase order number
6. Provide definitive shipping instructions.

HOW TO USE THIS MANUAL

Any claim for loss or damage to a shipment in transit should be filed promptly with the transportation company making the delivery. Shipments will be complete unless the packing list or order acknowledgement indicates items back ordered.

If parts received are suspected to be incorrect or defective, please contact the TENNANT representative from whom you ordered the part. They will give authorization for return and/or handle replacement shipments when required.

SECTION 2

Contents	Page
Fig. 1 - General Recommended Maintenance Items	2-3
Fig. 2 - Brushes, Replacement for MaxPro 1000	2-6
Fig. 3 - Brushes, Replacement for MaxPro 1200	2-8
Fig. 4 - Main Frame Group	2-10
Fig. 5 - Covers Group, Top and Side	2-12
Fig. 6 - Covers Group, Rear	2-14
Fig. 7 - Electrical Instrument Panel Group	2-16
Fig. 8 - Power Steering Group	2-18
Fig. 9 - Seat Group	2-20
Fig. 10 - Directional Control Group	2-22
Fig. 11 - Wheel Group, Front Drive	2-24
Fig. 12 - Brake Pedal Group	2-26
Fig. 13 - Wheel and Brake Group, Rear	2-28
Fig. 14 - Solution Tank Group	2-30
Fig. 15 - FaST Solution Pump Group (000000-004791)	2-32
Fig. 16 - FaST Air Pump and Detergent Group (000000-004791)	2-34
Fig. 17 - FaST Foam Filter Group (000000-004791)	2-36
Fig. 18 - FaST Pumps and Detergent Group (004792-)	2-38
Fig. 19 - Solution Control Group	2-40
Fig. 20 - Recovery Tank Group	2-42
Fig. 21 - Recovery Tank Drain Assembly	2-44
Fig. 22 - Scrubber Vacuum Fan Group	2-46
Fig. 23 - Scrub Head Lift Group	2-48
Fig. 24 - Max Pro 1000 (Disc-Brush) Scrub Head Frame Group	2-50
Fig. 25 - Max Pro 1000 (Disc-Brush) Scrub Head Linkage Group	2-52
Fig. 26 - Max Pro 1000 (Disc-Brush) Solution Valve Group	2-54
Fig. 27 - Max Pro 1000 (Disc-Brush) Solution Valve Group (FaST/ec-H2O)	2-56
Fig. 28 - Max Pro 1000 (Disc-Brush) Edge Scrub Group	2-58
Fig. 29 - Max Pro 1000 (Disc-Brush) Right Side Squeegee Group	2-60
Fig. 30 - Max Pro 1000 (Disc-Brush) Left Side Squeegee Group	2-62
Fig. 31 - Squeegee Linkage Group, Rear	2-64
Fig. 32 - Squeegee Lift Group, Rear	2-66
Fig. 33 - Max Pro 1000 Rear Squeegee Group (000000-006999)	2-68
Fig. 34 - Max Pro 1000 Rear Squeegee Group (007000-)	2-70

Contents	Page
Fig. 35 - Sweeper Main Brush Doors Group	2-72
Fig. 36 - Sweeper Side Brush Motor and Pivot Group	2-74
Fig. 37 - Sweeper Side Brush Lift Group	2-76
Fig. 38 - Sweeper Main Brush Drive Group	2-78
Fig. 39 - Sweeper Main Brush Idler Group	2-80
Fig. 40 - Sweeper Main Brush Lift Group	2-82
Fig. 41 - Hopper and Bumper Group	2-84
Fig. 42 - Sweeper Main Brush Skirts Group	2-88
Fig. 43 - Hopper Lift Arms Group	2-90
Fig. 44 - Hopper Chain and Cover Group	2-92
Fig. 45 - Hopper Filter Box Group	2-94
Fig. 46 - Sweeper Vacuum Fan Group	2-96
Fig. 47 - Hydraulic Power Unit and Solenoid Valve Group	2-98
Fig. 48 - Hydraulic Schematic	2-100
Fig. 49 - Hydraulic Hose Group	2-102
Fig. 50 - Electrical Control Box Circuit Breaker Group	2-104
Fig. 51 - Electrical Control Box Contactor Group (000000-003545)	2-106
Fig. 52 - Electrical Control Box Contactor Group (003546-)	2-108
Fig. 53 - Electrical Control Box Wires Group (000000-003545)	2-110
Fig. 54 - Electrical Control Box Wires Group (003546-)	2-112
Fig. 55 - Electrical Circuit Board Group	2-114
Fig. 56 - Electrical Group, FaST (000000-004791)	2-116
Fig. 57 - Electrical Group, FaST (004792-)	2-117
Fig. 58 - Electrical Schematic (000000-004791)	2-118
Fig. 59 - Electrical Schematic (004792-)	2-122
Fig. 60 - Electrical Wire Harnesses Group	2-128
Fig. 61 - Electrical Wire Harness Group, FaST (000000-004791)	2-144
Fig. 62 - Electrical Wire Harness Group, FaST (004792-)	2-145
Fig. 63 - Label Group	2-146

Fig. 1 - General Recommended Maintenance Items

8300

Ref.	Tennant Part No.	Machine Serial Number	Description	Qty.
	387660	(000000-) Tire Assy, Solid, 16.2x6.0 5.7bc/5bolt	1
	387014	(000000-) Tire Assy, 16 X 5 X 12.12	2
	58327	(000000-) Belt, V, [Hc41] 41.0l	2
	386626	(000000-) Flap, Front	1
	386828	(000000-) Skirt, Recirculation	1
	386829	(000000-) Skirt, Recirculation	1
	360686	(000000-) Belt, V, [3v] 33.5l	1
	386981	(000000-) Seal, Hppr, Vertical	2
	386982	(000000-) Seal, Hppr, Horiz	2
	363796	(000000-) Seal, Vacfan, [8010]	1
	387059	(000000-) Skirt, Lh	1
	387055	(000000-) Skirt, Rh	1
▽	386024	(000000-) Kit, Maint, 800hr, [8300-Mp1000-Disk]	1
▲	386284	(000000-) Blade, Sqge, Rear	1
▲	386283	(000000-) Blade, Sqge, Front	1
▲	386387	(000000-) Skirt, Front, Scrub Head, 2-Brush, Ele	1
▲	386388	(000000-) Skirt, Rear, Scrub Head, 2-Brush, Ele	1
▲	387294	(000000-) Skirt, Side, Scrbr Head, Ele	1
▲	386260	(000000-) Squeegee, Side	2
▲	20833	(000000-) Wheel, 3.0d 1.38w 0.50b	1
▲	71101	(000000-) Cable, .12d, 13.3l, .2clevis/.2clevis	1
▲	387023	(000000-) Hose, Vacuum	1
▲	386267	(000000-) Hose, Vacuum, 91.0l	1
▲	375213	(000000-) Filter, Pkg, Dust, Panl, 81plts	1
▲	1037822	(000000-) Filter, Panl, Dust, 2.0 X 06.1 X 07.6	1
▲	66213	(000000-) Kit, Brake	1
▲	386223	(000000-) Gasket, Tank, Recovery	1
▲	79320	(000000-) Gasket, Cap, Drain	2
▲	223264	(000000-) Seal, Rbr, Clsd, 0.25th, 5.8d 03.3h	1
▲	386323	(000000-) Gasket, Mtg, Fan	1
▽	386025	(000000-) Kit, Maint, 800hr, [8300-Mp1200-Disk]	1
▲	386834	(000000-) Blade, Sqge, Rear 48.0l	1
▲	386833	(000000-) Blade, Sqge, Front 48.0l	1
▲	386825	(000000-) Skirt, Front, Scrub Head, 3-Brush, Ele	1
▲	386826	(000000-) Skirt, Rear, Scrub Head, 3-Brush, Ele	1
▲	386260	(000000-) Squeegee, Side	2
▲	20833	(000000-) Wheel, 3.0d 1.38w 0.50b	1
▲	71101	(000000-) Cable, .12d, 13.3l, .2clevis/.2clevis	1
▲	387023	(000000-) Hose, Vacuum	1
▲	386267	(000000-) Hose, Vacuum, 91.0l	1
▲	375213	(000000-) Filter, Pkg, Dust, Panl, 81plts	1
▲	1037822	(000000-) Filter, Panl, Dust, 2.0 X 06.1 X 07.6	1
▲	66213	(000000-) Kit, Brake	1
▲	386223	(000000-) Gasket, Tank, Recovery	1
▲	79320	(000000-) Gasket, Cap, Drain	2
▲	223264	(000000-) Seal, Rbr, Clsd, 0.25th, 5.8d 03.3h	1
▲	386323	(000000-) Gasket, Mtg, Fan	1

STANDARD PARTS

Fig. 1 - General Recommended Maintenance Items

Ref.	Tennant Part No.	Machine Serial Number	Description	Qty.
▽	386026	(000000-) Kit, Maint, 800hr, [8300-Mp1000-Cyl]	1
▲	386284	(000000-) Blade, Sqge, Rear	1
▲	386283	(000000-) Blade, Sqge, Front	1
▲	20833	(000000-) Wheel, 3.0d 1.38w 0.50b	1
▲	71101	(000000-) Cable, .12d, 13.3l, .2clevis/.2clevis	1
▲	387023	(000000-) Hose, Vacuum	1
▲	386267	(000000-) Hose, Vacuum, 91.0l	1
▲	386053	(000000-) Belt, Drive	1
▲	375213	(000000-) Filter, Pkg, Dust, Panl, 81plts	1
▲	1037822	(000000-) Filter, Panl, Dust, 2.0 X 06.1 X 07.6	1
▲	66213	(000000-) Kit, Brake	1
▲	386223	(000000-) Gasket, Tank, Recovery	1
▲	79320	(000000-) Gasket, Cap, Drain	2
▲	223264	(000000-) Seal, Rbr, Clsd, 0.25th, 5.8d 03.3h	1
▲	386323	(000000-) Gasket, Mtg, Fan	1
▽	386027	(000000-) Kit, Maint, 800hr, [8300-Mp1200-Cyl]	1
▲	386834	(000000-) Blade, Sqge, Rear 48.0l	1
▲	386833	(000000-) Blade, Sqge, Front 48.0l	1
▲	20833	(000000-) Wheel, 3.0d 1.38w 0.50b	1
▲	71101	(000000-) Cable, .12d, 13.3l, .2clevis/.2clevis	1
▲	387023	(000000-) Hose, Vacuum	1
▲	386267	(000000-) Hose, Vacuum, 91.0l	1
▲	386053	(000000-) Belt, Drive	1
▲	375213	(000000-) Filter, Pkg, Dust, Panl, 81plts	1
▲	1037822	(000000-) Filter, Panl, Dust, 2.0 X 06.1 X 07.6	1
▲	66213	(000000-) Kit, Brake	1
▲	386223	(000000-) Gasket, Tank, Recovery	1
▲	79320	(000000-) Gasket, Cap, Drain	2
▲	223264	(000000-) Seal, Rbr, Clsd, 0.25th, 5.8d 03.3h	1
▲	386323	(000000-) Gasket, Mtg, Fan	1
▽	387507	(000000-) Kit, Maint, 800hr [8300-Mp1200-Disk-Vac]	1
▲	386284	(000000-) Blade, Sqge, Rear	1
▲	386283	(000000-) Blade, Sqge, Front	1
▲	386387	(000000-) Skirt, Front, Scrub Head, 2-Brush, Ele	1
▲	386388	(000000-) Skirt, Rear, Scrub Head, 2-Brush, Ele	1
▲	387294	(000000-) Skirt, Side, Scrbr Head, Ele	1
▲	386260	(000000-) Squeegee, Side	1
▲	20833	(000000-) Wheel, 3.0D 1.38W 0.50B	1
▲	71101	(000000-) Cable, .12d, 13.3l, .2clevis/.2clevis	1
▲	387023	(000000-) Hose, Vacuum	1
▲	1005026	(003546-) Kit, Modif, Ftg Location, [Discvac]	1
▲	11399	(000000-) Clamp, Hose, Wormdrive, 0.81-1.50d	1
▲	387545	(000000-) Blade Assy, Sqge, Side	1
▲	387546	(000000-) Blade, Squeegee	1
▲	375213	(000000-) Filter, Pkg, Dust, Panl, 81plts	1
▲	1037822	(000000-) Filter, Panl, Dust, 2.0 X 06.1 X 07.6	1
▲	66213	(000000-) Kit, Brake	1
▲	386223	(000000-) Gasket, Tank, Recovery	1

Fig. 1 - General Recommended Maintenance Items

Ref.	Tennant Part No.	Machine Serial Number	Description	Qty.
▲	79320	(000000-) Gasket, Cap, Drain	2
▲	223264	(000000-) Seal, Rbr, Clsd, 0.25th, 5.8d 03.3h	1
▲	386323	(000000-) Gasket, Mtg, Fan	1
▲	58327	(000000-) Belt, V, [Hc41] 41.0l	1
▲	385938	(000000-) Brush, Conveyor, Cyl, 35l, 4sr	1
▲	386626	(000000-) Flap, Front	1
▲	386828	(000000-) Skirt, Recirculation	1
▲	386829	(000000-) Skirt, Recirculation	1
▲	360686	(000000-) Belt, V, [3v] 33.5l	1
▲	387408	(000000-) Seal, Vac Fan	1
▲	387413	(000000-) Seal	1
▲	387406	(000000-) Seal	1
▲	387407	(000000-) Seal	2
	386514	(000000-003545)) Hose, Vacuum, 58.5l	1
	387256	(000000-003545)) Hose, Vacuum, 35.0l	1
	387517	(000000-003545)) Hose Assy, W/2 Cuff, 1.0d 41.0l	1

Fig. 2 - Brushes, Replacement for MaxPro 1000

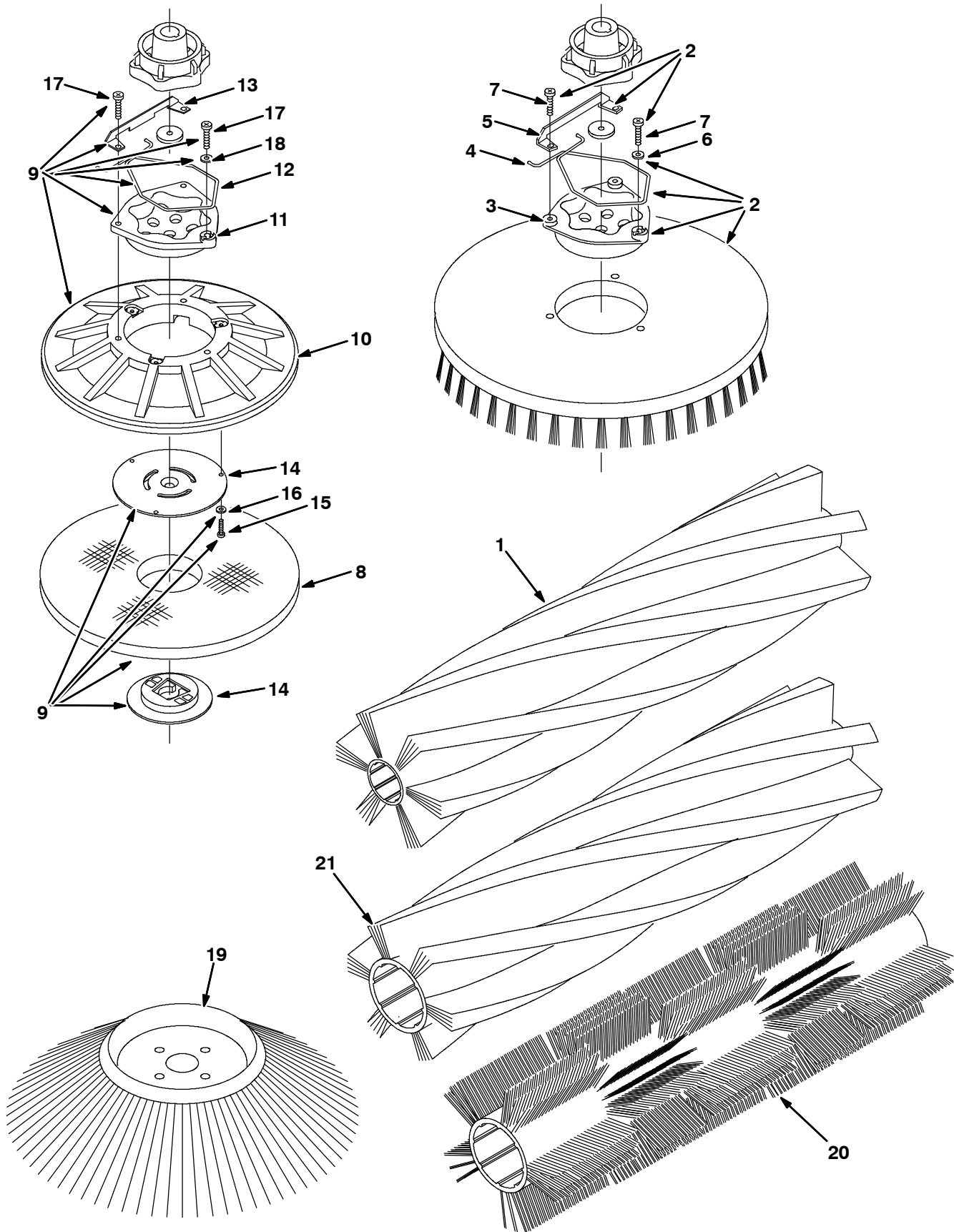


Fig. 2 - Brushes, Replacement for MaxPro 1000

Ref.	Tennant Part No.	Machine Serial Number	Description	Qty.
	1 386230	(000000-) Brush, Scrub, 39l, 20sr, Pyp, Spl	2
	1 386240	(000000-) Brush, Scrub, 39l, 20sr, Super Abr, Spl	2
	1 386250	(000000-) Brush, Scrub, 39l, 20sr, Nyl, Spl	2
▽	2 14967	(000000-) Brush Assy, Disk, Scb, 20.0 D, Nyl	2
▲	3 15539	(000000-) Adaptor, Brush	1
▲	4 14838	(000000-) Spring, Wir, 0.16d, Brush Retaining	1
▲	5 24299	(000000-) Bracket, Retainer, Spring	1
▲	6 01684	(000000-) Washer, Flt, .25 Ss	1
▲	7 32746	(000000-) Screw, Pan, M06 X 1.0 X 35, Ss	3
▽	2 14953	(000000-) Brush Assy, Disk, Scb, 20.0 D, Pyp	2
▲	3 15539	(000000-) Adaptor, Brush	1
▲	4 14838	(000000-) Spring, Wir, 0.16d, Brush Retaining	1
▲	5 24299	(000000-) Bracket, Retainer, Spring	1
▲	6 01684	(000000-) Washer, Flt, .25 Ss	1
▲	7 32746	(000000-) Screw, Pan, M06 X 1.0 X 35, Ss	3
▽	2 378951	(000000-) Brush Assy, Disk, Scb, 20.0 D, Super Abr	2
▲	3 15539	(000000-) Adaptor, Brush	1
▲	4 14838	(000000-) Spring, Wir, 0.16d, Brush Retaining	1
▲	5 24299	(000000-) Bracket, Retainer, Spring	1
▲	6 01684	(000000-) Washer, Flt, .25 Ss	1
▲	7 32746	(000000-) Screw, Pan, M06 X 1.0 X 35, Ss	3
	8 17260	(000000-) Pad, Polish, 20.0d, White	2
	8 17261	(000000-) Pad, Buff, 20.0d, Red	2
	8 17262	(000000-) Pad, Scrub, 20.0d, Blue	2
	8 17263	(000000-) Pad, Strip, 20.0d, Brown	2
	8 370094	(000000-) Pad, Stripping, 20.0D[Hi Prod,Black	2
	8 1051030	(000000-) Pad, Surf Prep, 20.0D [Mar, 1Pick=1Pad]	2
▽	9 397920	(000000-) Driver Assy, Pad, 20.0D	2
▲	10 370080	(000000-) Disk, Pad Drive, W/ Face, 20d	1
▲	11 15539	(000000-) Adaptor, Brush	1
▲	12 14838	(000000-) Spring, Wir, 0.16d, Brush Retaining	1
▲	13 24299	(000000-) Bracket, Retainer, Spring	1
▲	14 370090	(000000-) Device, Centering	1
▲	15 09198	(000000-) Screw, Pan, M04 X 0.7 X 35, Ss	3
▲	16 41579	(000000-) Washer, Flt, #08 Ss	3
▲	17 32746	(000000-) Screw, Pan, M06 X 1.0 X 35, Ss	3
▲	18 01684	(000000-) Washer, Flt, .25 Ss	1
	19 87419	(000000-) Brush, Disk, Swp, 19.0D, Pyp (Option)	1
	20 385936	(000000-) Brush, Swp, 36L, Window, Pp, Spl	1
	21 385935	(000000-) Brush, Swp, 36l, 6dr, Spl	1

Fig. 3 - Brushes, Replacement for MaxPro 1200

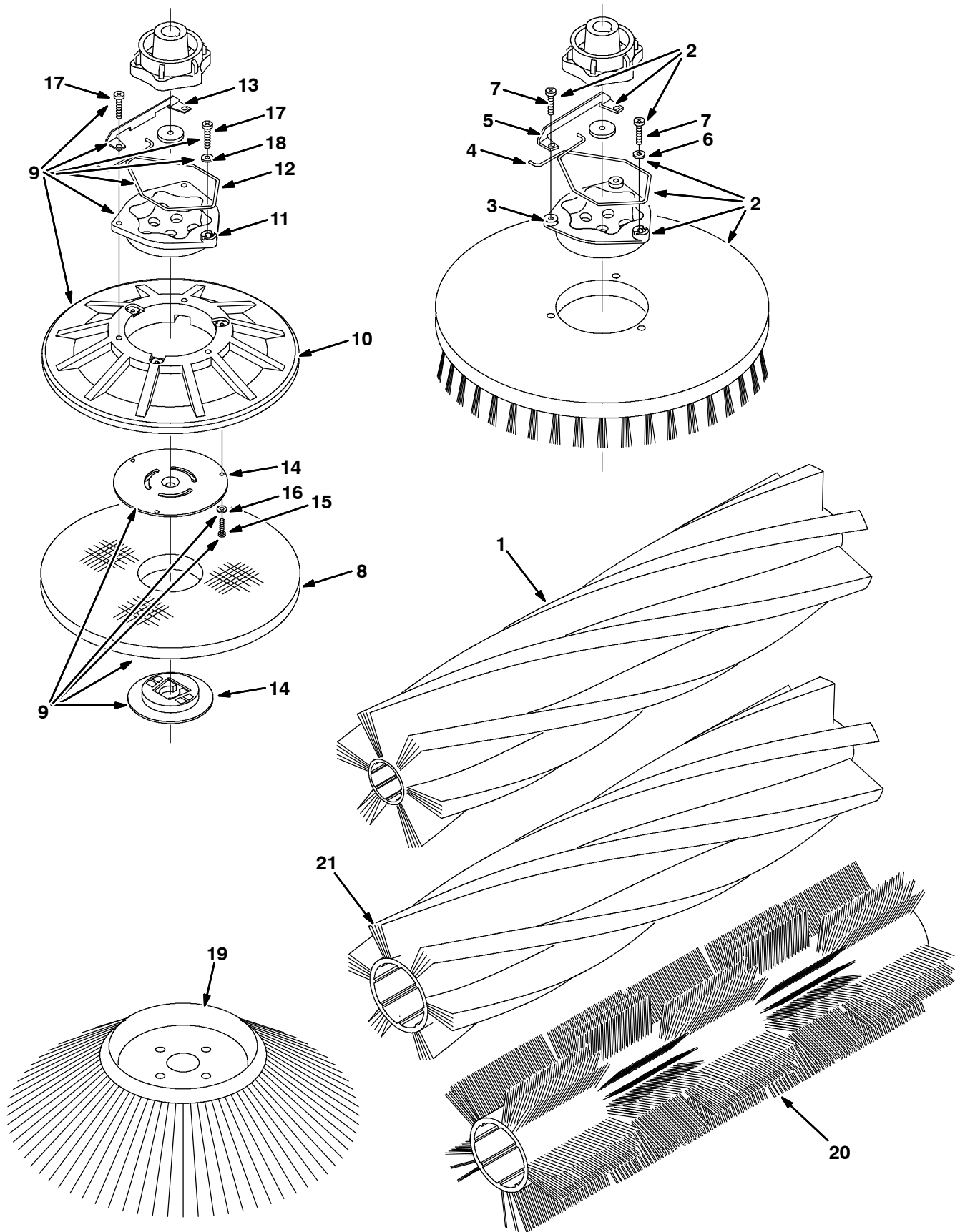


Fig. 3 - Brushes, Replacement for MaxPro 1200

Ref.	Tennant Part No.	Machine Serial Number	Description	Qty.
	1	386231	(000000-) Brush, Scrub, 47l, 20sr, Pyp, Spl	2
	1	386241	(000000-) Brush, Scrub, 47l, 20sr, Super Abr, Spl	2
	1	386251	(000000-) Brush, Scrub, 47l, 20sr, Nyl, Spl	2
▽	2	1042504	(000000-) Brush Assy, Disk, Scb, 16.0D, Super Abrasive	3
▲	3	1017368	(000000-) Hub, Drive, Brush, Disk, 3 Hole 5.8Bc	1
▲	4	14838	(000000-) Spring, Wir, 0.16d, Brush Retaining	1
▲	5	24299	(000000-) Bracket, Retainer, Spring	1
▲	6	01684	(000000-) Washer, Flt, .25 Ss	1
▲	7	32746	(000000-) Screw, Pan, M06 X 1.0 X 35, Ss	3
▽	2	1042499	(000000-) Brush Assy, Disk, Scb, 16.0D, Nylon	3
▲	3	1017368	(000000-) Hub, Drive, Brush, Disk, 3 Hole 5.8Bc	1
▲	4	14838	(000000-) Spring, Wir, 0.16d, Brush Retaining	1
▲	5	24299	(000000-) Bracket, Retainer, Spring	1
▲	6	01684	(000000-) Washer, Flt, .25 Ss	1
▲	7	32746	(000000-) Screw, Pan, M06 X 1.0 X 35, Ss	3
▽	2	30241	(000000-) Brush Assy, Disk, Scb, 16.0 D, Pyp	3
▲	3	1017368	(000000-) Hub, Drive, Brush, Disk, 3 Hole 5.8Bc	1
▲	4	14838	(000000-) Spring, Wir, 0.16d, Brush Retaining	1
▲	5	24299	(000000-) Bracket, Retainer, Spring	1
▲	6	01684	(000000-) Washer, Flt, .25 Ss	1
▲	7	32746	(000000-) Screw, Pan, M06 X 1.0 X 35, Ss	3
	8	63248-1	(000000-) Pad, Strip, 16.0d, Brown	3
	8	63248-2	(000000-) Pad, Scrub, 16.0d, Blue	3
	8	63248-3	(000000-) Pad, Buff, 16.0d, Red	3
	8	63248-4	(000000-) Pad, Polish, 16.0d, White	3
	8	370092	(000000-) Pad, Stripping, 16.0d[Hi Prod,Black	3
	8	1051027	(000000-) Pad, Surf Prep, 16.0d [Mar, 1pick=1pad]	3
▽	9	397916	(000000-) Driver Assy, Pad, 16D	3
▲	10	397976	(000000-) Disk, Pad Driver, W/Face, 16D	1
▲	11	15539	(000000-) Adaptor, Brush	1
▲	12	14838	(000000-) Spring, Wir, 0.16d, Brush Retaining	1
▲	13	24299	(000000-) Bracket, Retainer, Spring	1
▲	14	370095	(000000-) Device, Centering	1
▲	15	09198	(000000-) Screw, Pan, M04 X 0.7 X 35, Ss	3
▲	16	41579	(000000-) Washer, Flt, #08 Ss	3
▲	17	32746	(000000-) Screw, Pan, M06 X 1.0 X 35, Ss	3
▲	18	01684	(000000-) Washer, Flt, .25 Ss	1
	19	87419	(000000-) Brush, Disk, Swp, 19.0D, Pyp (Option)	1
	20	385936	(000000-) Brush, Swp, 36L, Window, Pp, Spl	1
	21	385935	(000000-) Brush, Swp, 36l, 6dr, Spl	1

Fig. 4 - Main Frame Group

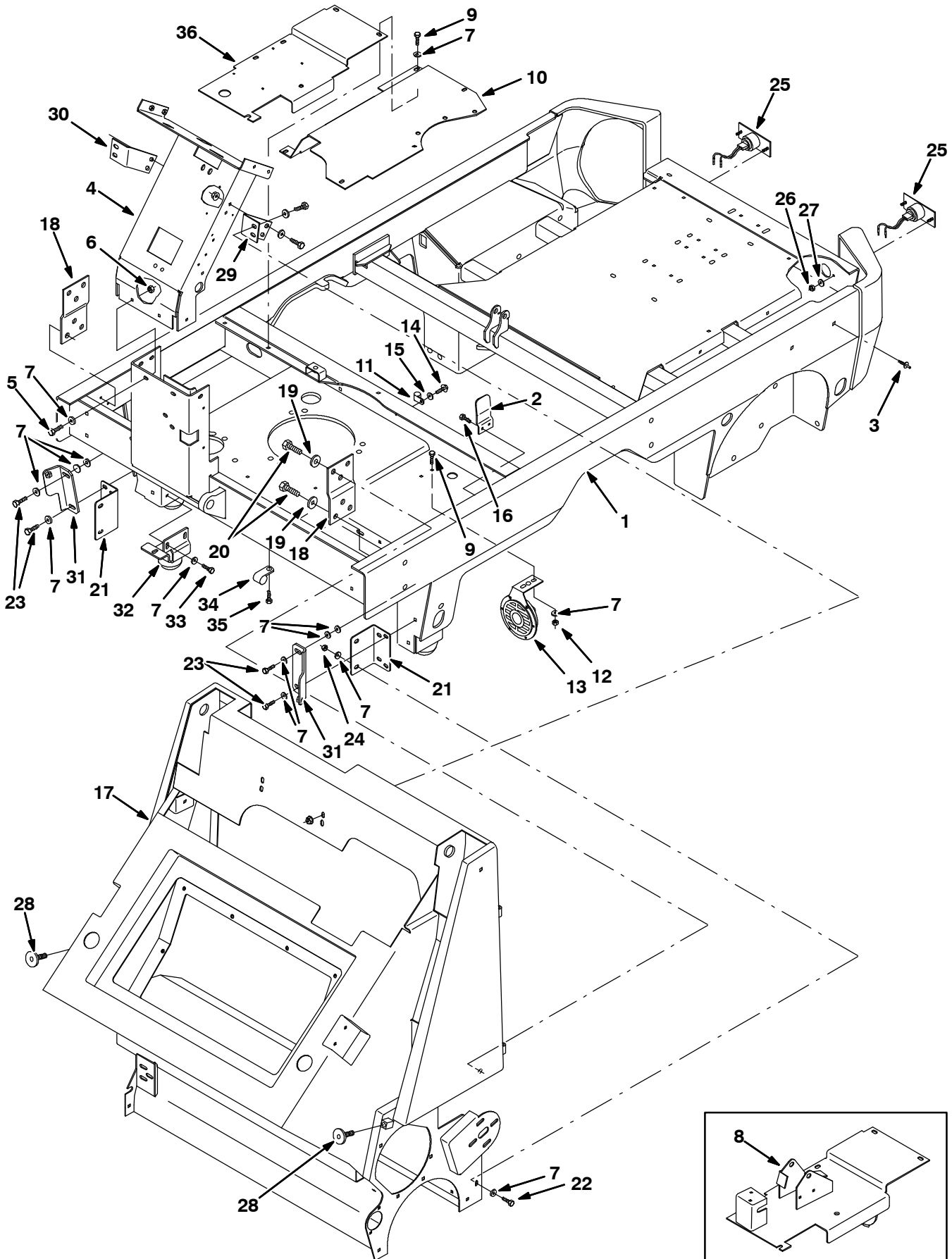


Fig. 4 - Main Frame Group

Ref.	Tenant Part No.	Machine Serial Number	Description	Qty.
1	386200	(000000-006999)	Frame	1
1	1056383	(007000-	Frame Wldt, Main, Iron Gray [7300/8300]	1
2	386923	(000000-006999)	Plate, Cover	1
2	1056496	(007000-	Plate, Cover, Iron Gray	1
3	365252	(000000-	Rivet, Plstc, .25 D X 0.75	24
4	386450	(000000-006999)	Channel Wldt, Steering	1
4	1056387	(007000-	Channel Wldt, Steering, Iron Gray	1
5	16931	(000000-	Screw, Hex, M08 X 1.25 X 20, 8.8	5
6	08709	(000000-	Nut, Hex, Lock, M08 X 1.25,NI	5
7	32491	(000000-	Washer, Flt, .31 Std	31
8	386157	(000000-003797)	Plate Wldt, Floor	1
9	16735	(000000-	Screw, Hex, M08 X 1.25 X 16, 8.8	12
10	386159	(000000-006999)	Plate, Floor, Upper	1
10	1056465	(007000-	Plate, Floor, Upper, Iron Gray	1
11	67767	(000000-	Clamp, Cable, Stl, 0.69d X 0.62w, 1h	1
12	07791	(000000-	Nut, Hex, Flng, M08 X 1.25	2
13	369702	(000000-	Horn, 36vdc, Dba	1
14	12459	(000000-	Screw, Hex, M06 X 1.0 X 20, Fmg	1
15	01684	(000000-	Washer, Flt, .25 Ss	1
16	06943	(000000-	Screw, Hex, M06 X 1.0 X 20, 8.8	2
17	386757	(000000-006999)	Frame	1
17	1056502	(007000-	Frame, Swpr, Iron Gray [8300]	1
18	386475	(000000-006999)	Bracket, Mtg	2
18	1056497	(007000-	Bracket, Mtg, Iron Gray	2
19	32493	(000000-	Washer, Flt, .50 Std	12
20	41345	(000000-	Screw, Hex, M12 X 1.75 X 25, 8.8	12
21	386911	(000000-006999)	Angle, Rh	2
21	1056506	(007000-	Bracket, Mtg, Iron Gray	2
22	16931	(000000-	Screw, Hex, M08 X 1.25 X 20, 8.8	4
23	39277	(000000-	Screw, Hex, M08 X 1.25 X 25, 8.8	6
24	08709	(000000-	Nut, Hex, Lock, M08 X 1.25,NI	4
▽	25	87346	(000000-) Taillight, 12vdc, 3.6 X 1.9,Rework87277	2
▲		87948	(000000-) Lamp	1
▲		87949	(000000-) Lampholder	1
26	01713	(000000-	Nut, Hex, Std, #10-32, 2	4
27	32980	(000000-	Washer, Lock, Int, #10	4
28	387138	(000000-	Stop	2
29	387040	(000000-006999)	Bracket, Lh	1
29	1056684	(007000-	Bracket, Lh, Iron Gray	1
30	387041	(000000-006999)	Bracket, Rh	1
30	1056685	(007000-	Bracket, Rh, Iron Gray	1
31	387087	(000000-006999)	Bracket, Latch, Door	2
31	1056515	(007000-	Bracket, Latch, Door, Iron Gray	2
32	387361	(000000-006999)	Cup Wldt, Skid	1
32	1056524	(007000-	Stop Wldt, Tip, Iron Gray	1
33	09740	(000000-	Screw, Hex, M08 X 1.25 X 20, Ss	3
34	67767	(000000-	Clamp, Cable, Stl, 0.69d X 0.62w, 1h	2
35	361339	(000000-	Screw, Hex, M06 X 1.0 X 16, Fmg	2
36	387654	(003798-006999)	Plate, Floor	1
36	1056809	(007000-	Plate, Floor, Iron Gray	1

Fig. 5 - Covers Group, Top and Side

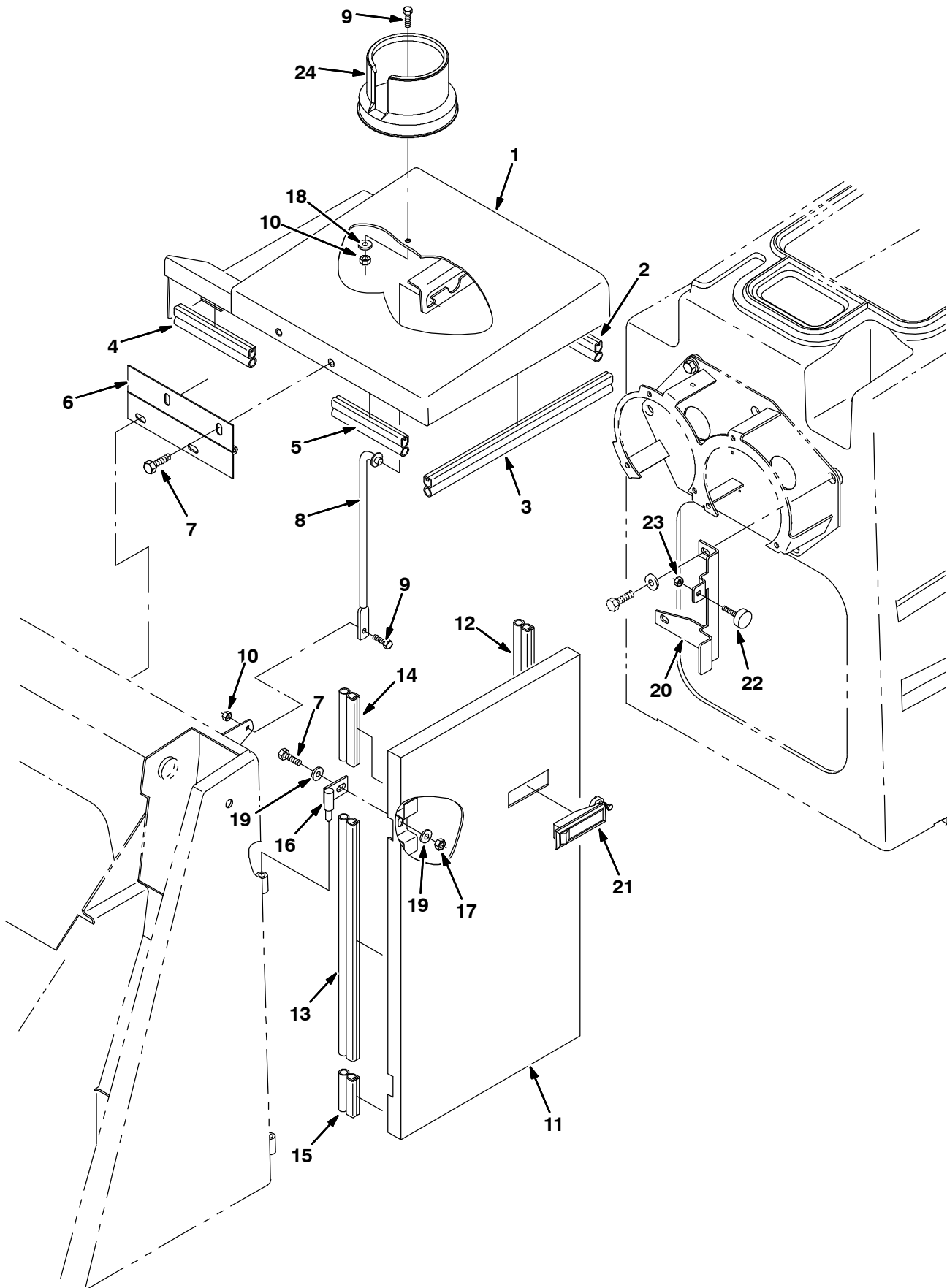


Fig. 5 - Covers Group, Top and Side

Ref.	Tennant Part No.	Machine Serial Number	Description	Qty.
1	386767	(000000-006999)	Cover Wldt, Top	1
1	1056503	(007000-)	Cover Wldt, Top, Iron Gray	1
2	387071	(000000-)	Seal, Bulb, [Sd-504], 21.70l	1
3	387072	(000000-)	Seal, Bulb, [Sd-504], 13.80l	1
4	387073	(000000-)	Seal, Bulb, [Sd-504], 5.70l	1
5	387074	(000000-)	Seal, Bulb, [Sd-504], 5.30l	1
6	386565	(000000-006999)	Hinge	1
6	1056392	(007000-)	Hinge, .25pin .07 3.5w 08.0l, 4/0.38sl	1
7	16931	(000000-)	Screw, Hex, M08 X 1.25 X 20, 8.8	4
8	386769	(000000-)	Rod Wldt, Cover	1
9	06943	(000000-)	Screw, Hex, M06 X 1.0 X 20, 8.8	2
10	08708	(000000-)	Nut, Hex, Lock, M06 X 1.0, NI	2
11	386979	(000000-006999)	Door Wldt, Side	1
11	1056512	(007000-)	Door Wldt, Side, Iron Gray	1
12	387075	(000000-)	Seal, Bulb, [Sd-504], 25.00l	1
13	387076	(000000-)	Seal, Bulb, [Sd-504], 15.60l	1
14	387077	(000000-)	Seal, Bulb, [Sd-504], 4.20l	1
15	387078	(000000-)	Seal, Bulb, [Sd-504], 2.40l	1
16	386774	(000000-006999)	Pin Wldt, Hinge	2
16	1056504	(007000-)	Pin Wldt, Hinge, Iron Gray	2
17	08709	(000000-)	Nut, Hex, Lock, M08 X 1.25, NI	2
18	41178	(000000-)	Washer, Flat, .25 Fender	1
19	32491	(000000-)	Washer, Flt, .31 Std	4
20	386777	(000000-006999)	Plate, Mtg, Door	1
20	1056680	(007000-)	Plate, Mtg, Door, Iron Gray	1
21	64533	(000000-)	Latch, Trigger	1
22	20802	(000000-)	Bumper, Rbr, 1.00d 0.38t .25-20	1
23	01690	(000000-)	Nut, Hex, Std, .25-20, Ss	1
24	223599	(000000-)	Cup Holder	1

Fig. 6 - Covers Group, Rear

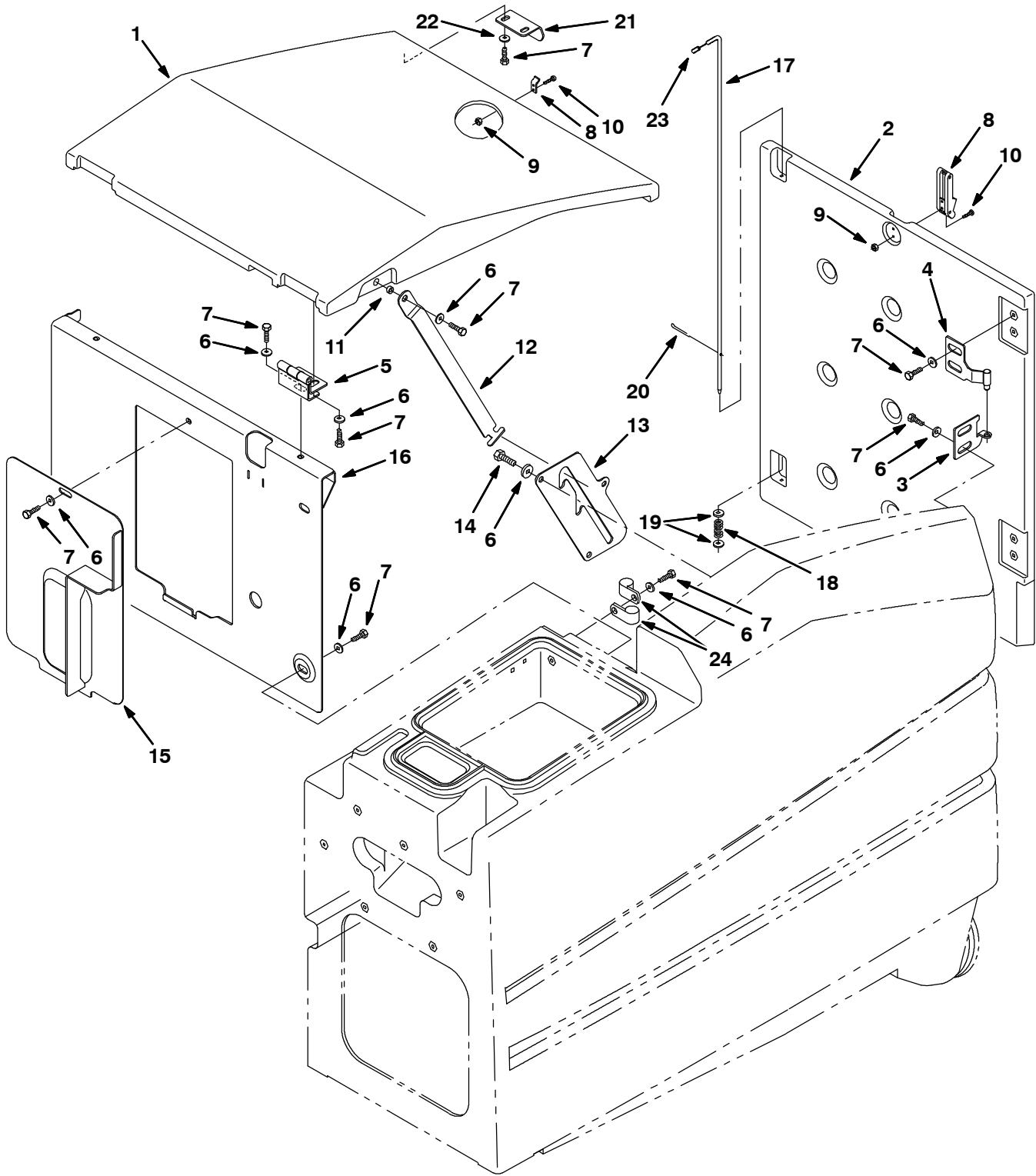


Fig. 6 - Covers Group, Rear

Ref.	Tennant Part No.	Machine Serial Number	Description	Qty.
1	386201	(000000-006999)	Cover, Tank, Top	1
1	1056433	(007000-)	Cover, Tank, Top, Teal	1
2	386202	(000000-006999)	Cover, Rear	1
2	1056434	(007000-)	Cover, Rear, Teal	1
3	386993	(000000-006999)	Plate, Hinge	2
3	1056479	(007000-)	Plate, Hinge, Iron Gray	1
4	386995	(000000-006999)	Hinge Wldt, W/ Pin	2
4	1056388	(007000-)	Hinge Wldt, W/ Pin, Iron Gray	1
5	386437	(000000-006999)	Hinge Assy	2
5	1056475	(007000-)	Hinge Assy, Iron Gray	1
6	01685	(000000-)	Washer, Flt, .31 Ss	24
7	09740	(000000-)	Screw, Hex, M08 X 1.25 X 20, Ss	23
8	49800	(000000-)	Latch	1
9	02850	(000000-)	Nut, Hex, Lock, M04 X 0.7, NI	4
10	49697	(000000-)	Screw, Pan, M04 X 0.7 X 10, Ss	4
11	360801	(000000-)	Sleeve	1
12	386461	(000000-)	Rod	1
13	386413	(000000-006999)	Plate	1
13	1056472	(007000-)	Plate, Iron Gray	1
14	09010	(000000-)	Screw, Hex, M08 X 1.25 X 25, Ss	3
15	386433	(000000-006999)	Cover Wldt	1
15	1056386	(007000-)	Cover Wldt, Iron Gray	1
16	387348	(000000-)	Panel Wldt, Front W/ Label	1
17	386761	(000000-)	Rod, Rear Door	1
18	54743	(000000-)	Spring, Cmpr, 0.36od .04wir 2.5l	1
19	01684	(000000-)	Washer, Flt, .25 Ss	2
20	08178	(000000-)	Pin, Cotter, .062 X 0.75	1
21	1056884	(000000-)	Bracket, Iron Gray	1
22	01684	(000000-)	Washer, Flt, .25 Ss	2
23	386973	(000000-)	Cap, Vyl, .234id .750l .04	1
24	82829	(000000-)	Clamp, Cable, Stl, 0.63d X 0.75w, 1h	2

Fig. 7 - Electrical Instrument Panel Group

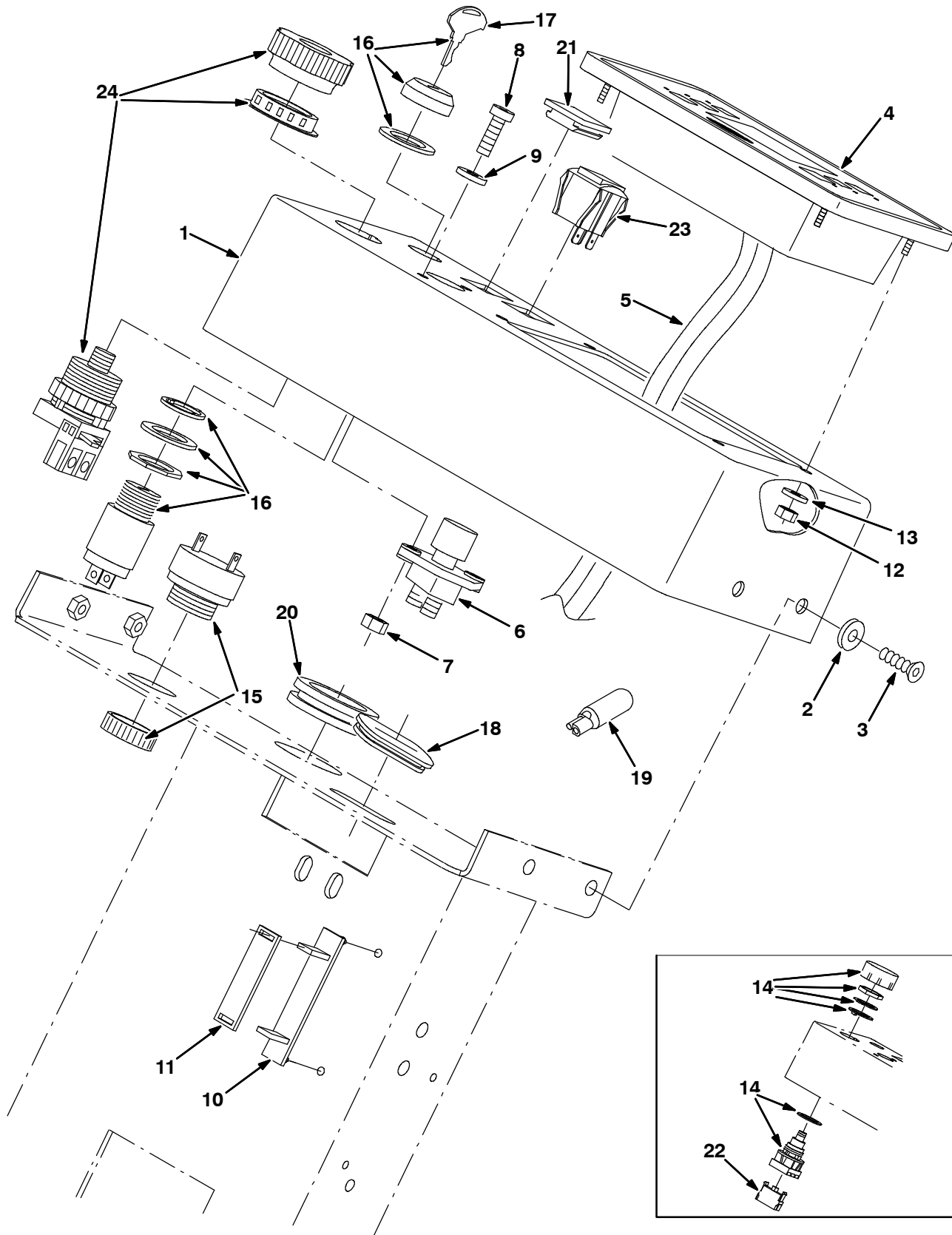


Fig. 7 - Electrical Instrument Panel Group

Ref.	Tennant Part No.	Machine Serial Number	Description	Qty.	
1	386129	(000000-) Panel, Instmt	1	
2	386924	(000000-) Washer, Finish, M06, PI	4	
3	16879	(000000-) Screw, Flat, M06 X 1.0 X 20, 10.9	4	
▽	4	9008409	(000000-007093) Panel Assy Kit, Touch [8300]	1	
▲	5	386311	(000000-007093) Cable, Ribbon, 34 Conductor	1	
▽	4	1065187	(007094-) Panel Assy, Touch [8300]	1
▲	5	386311	(007094-) Cable, Ribbon, 34 Conductor	1
	6	44078	(000000-) Switch	1
	7	08708	(000000-) Nut, Hex, Lock, M06 X 1.0, NI	2
	8	09007	(000000-) Screw, Hex, M06 X 1.0 X 25, Ss	2
	9	32483	(000000-) Washer, Flt, .25 Sae	2
	10	386808	(000000-) Clamp, Ribbon Cable	1
	11	386809	(000000-) Clamp, Ribbon Cable, Hold-Down	1
	12	06549	(000000-) Nut, Hex, Lock, M05 X 0.8, NI	4
	13	19066	(000000-) Washer, Flt, #10	4
	14	78553	(000000-007010) Switch	1	
	15	386346	(000000-) Alarm, Warning, 10-48vdc	1
▽	16	361076	(000000-) Switch, Start	1
▲	17	361144	(000000-) Key, Ignition	1
	18	27928	(000000-) Grommet, Ribbon Cable, .63 X 1.81	1
	19	222290	(000000-) Diode, Ele, Plug	7
	20	10632-13	(000000-) Grommet, Rbr, 1.50id, F/ 1.8h, .31matl	1
	21	222534	(000000-) Button, Plug, 1.1 X 1.1h, Black, Plstc	2
	22	65665	(000000-007010) Contact, Switch	1	
	23	360520	(000000-) Switch, Rocker	1
	24	1053842	(007011-) Switch, Safety, Shutoff	1

Fig. 8 - Power Steering Group

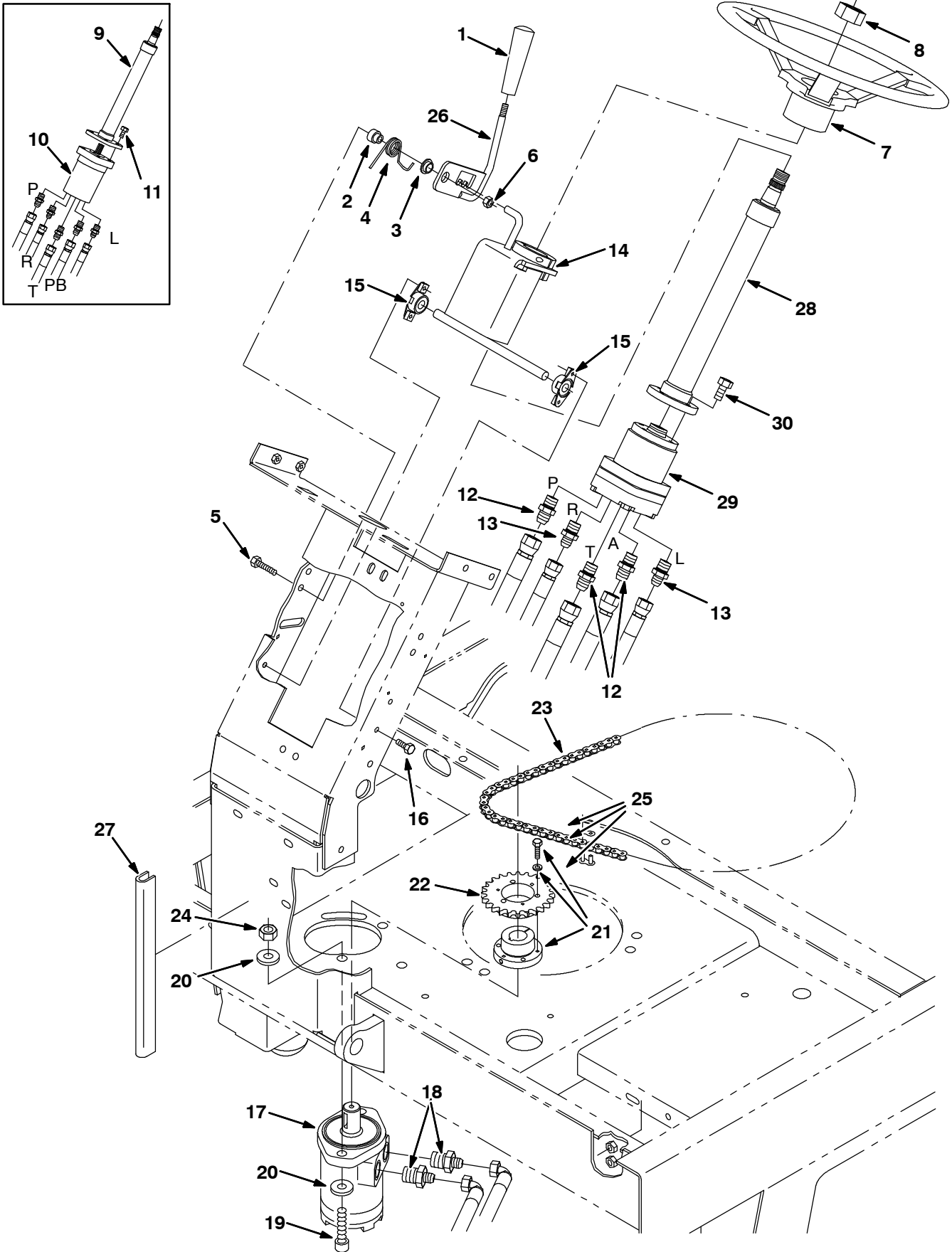


Fig. 8 - Power Steering Group

Ref.	Tennant Part No.	Machine Serial Number	Description	Qty.	
1	59940	(000000-) Knob	1	
2	386149	(000000-) Pin	1	
3	386217	(000000-) Bearing, Flange	1	
4	386150	(000000-) Spring, Torsion	1	
5	06946	(000000-) Screw, Hex, M06 X 1.0 X 35, 8.8	1	
6	08708	(000000-) Nut, Hex, Lock, M06 X 1.0, NI	1	
7	56398	(000000-) Wheel, Steering, 14.0D, Taper Bore	1	
8	56185	(000000-) Nut, Hex, Jam, M20 X 1.5	1	
▽	9	386702	(000000-003713) Column, Steering (Replaced by 387653)	1	
▲		74142	(000000-003713) Cap, Tube	1	
10	386701	(000000-003713)	Steer-Control, Hyd (Replaced by 387653)	1	
11	06960	(000000-003713)	Screw, Hex, M10 X 1.5 X 16, 8.8	4	
12	56690	(000000-) Fitting, Hyd, Str, Jm06/Om06	3	
13	55685	(000000-) Fitting, Hyd, Str, Jm04/Om06	2	
14	1056854	(000000-) Bracket Wldt, Steering, Tilt, Iron Gray	1	
15	70709	(000000-) Bushing Assy, Flng, 2 Hole, 0.50b	2	
16	06942	(000000-) Screw, Hex, M06 X 1.0 X 16, 8.8	4	
17	386703	(000000-) Motor, Hyd (See Breakdowns)	1	
18	57984	(000000-) Fitting, Hyd, Str, Jm04/Om10	2	
19	387393	(000000-) Screw, Soc, M12 X 1.75 X 45	2	
20	32486	(000000-) Washer, Flt, .50 Sae	4	
21	386215	(000000-) Bushing, Taper Lock	1	
22	386214	(000000-) Sprocket, #40 24-Tooth	1	
23	386216	(000000-) Chain, Roller, #40 X 109 Pitches	1	
24	08711	(000000-) Nut, Hex, Lock, M12 X 1.75,NI	2	
25	07112	(000000-) Link, Chain, Roller, #40	1	
26	386209	(000000-) Handle Wldt, Steering, Tilt	1	
27	387454	(000000-) Molding, Trim, .19-.31 12.00	1	
▽	28	373496	(003714-) Column, Steering, #14.0L .81D 36Tooth	1
▲		74142	(003714-) Cap, Tube	1
29	373495	(003714-) Steer-Control, Hyd (See Breakdowns)	1	
30	11329	(003714-) Screw, Hex, M6X1.0X16, Ss, NI	4	

Fig. 9 - Seat Group

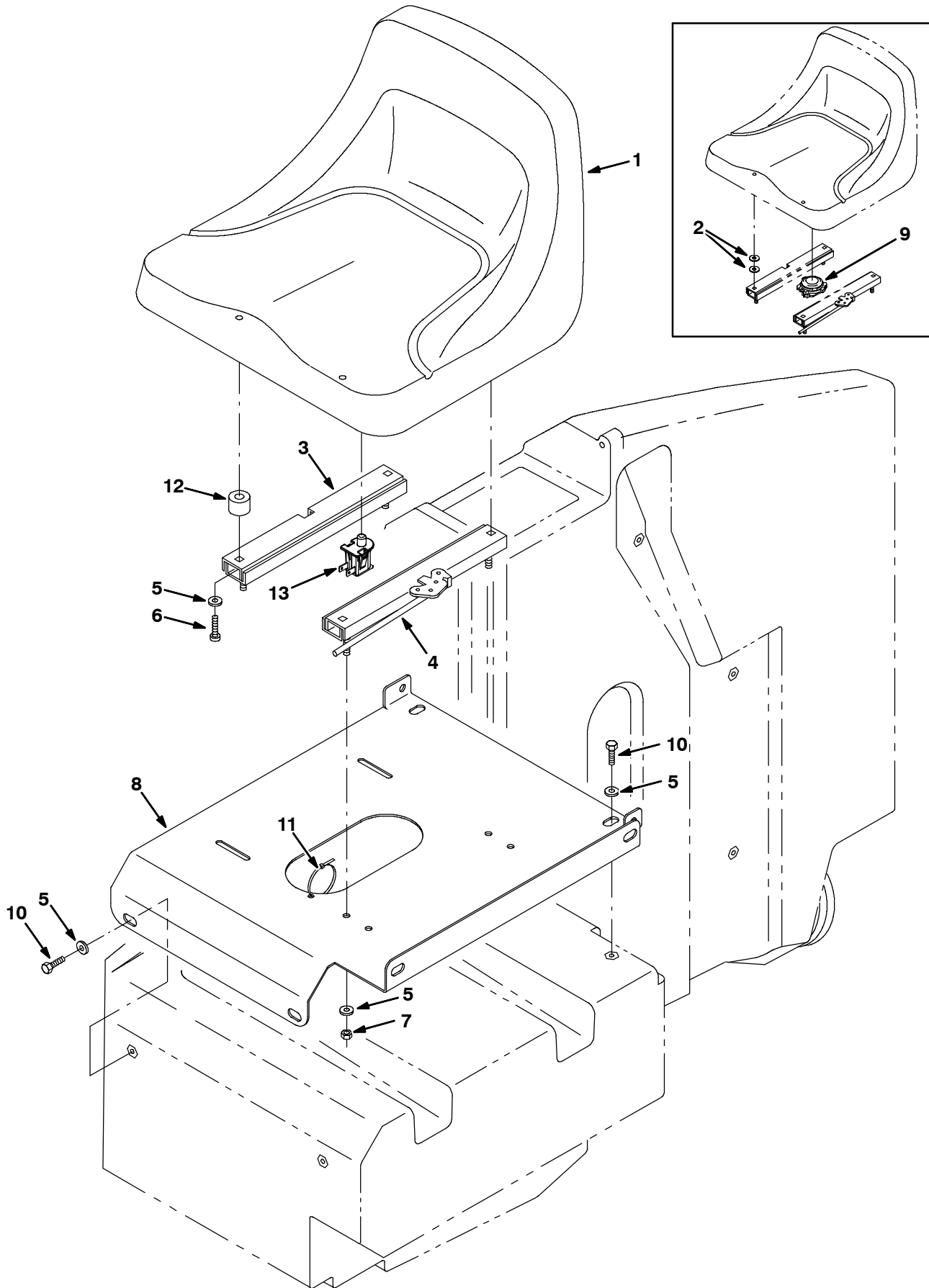


Fig. 9 - Seat Group

Ref.	Tenant Part No.	Machine Serial Number	Description	Qty.
1	375411	(000000-004738)	Seat (Replaced by 9005082)	1
1	1048932	(004739-)	Seat, Std [Michigan, Model V-2505]	1
2	13248	(000000-004738)	Washer	8
3	360369	(000000-)	Rail	1
4	360370	(000000-)	Rail	1
5	01685	(000000-)	Washer, Flt, .31 Ss	14
6	25537	(000000-004738)	Screw, Pan, .31-18 X 0.75, G1	4
6	49177	(004739-)	Screw, Pan, Phl, .31-18 X 1.00, G2	4
7	32983	(000000-)	Nut, Hex, Lock, .31-18, NI	4
8	1056855	(000000-)	Plate, Seat, Iron Gray	1
9	223078	(000000-004738)	Switch, Seat	1
10	15675	(000000-)	Screw, Hex, M08 X 1.25 X 16, Ss	6
11	49266	(000000-)	Tie, Cable, Nyl, 07.3l .19w 1.8 Max D	1
12	1049092	(004739-)	Spacer, Rnd, .38B .88D .63L	4
13	1048955	(004739-)	Switch, Seat, No [Delta 6440-04]	1

Fig. 10 - Directional Control Group

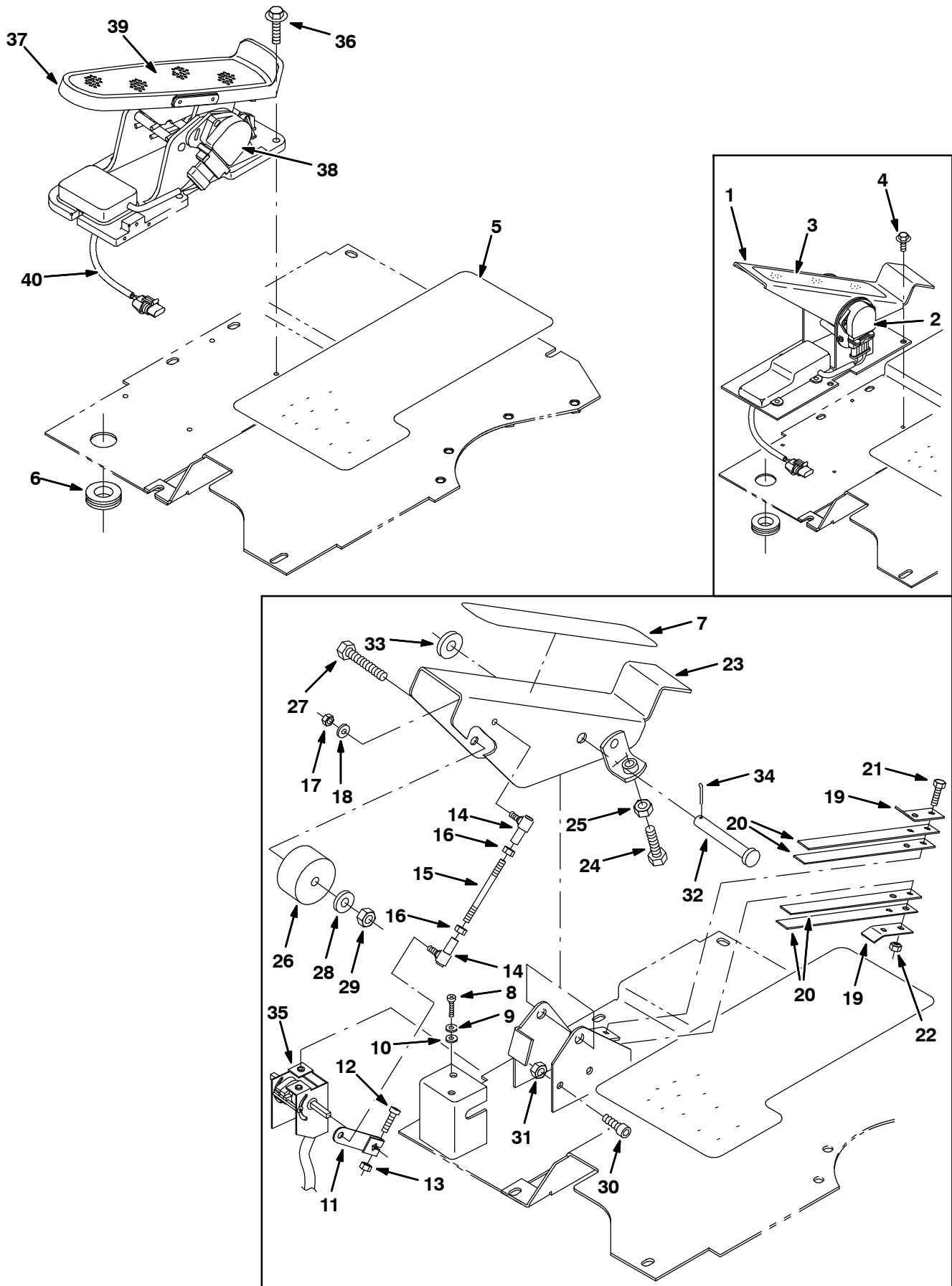


Fig. 10 - Directional Control Group

	Ref.	Tennant Part No.	Machine Serial Number	Description	Qty.
▽	1	387700	(003798-004657)	Pedal Assy, Foot (Replaced by 1042524)	1
▲	2	385726	(003798-004657)	Sensor, Pedal Position	1
▲	3	82839	(003798-004657)	Tread, Non Skid, 2.2w 11.5l	1
	4	74455	(003798-004657)	Screw, Hex, M06-1.0 X 12, Fmg	4
	5	387392	(003798-)	Tread, Non-Skid, 06.0w X 15.5l	1
	6	10632	(003798-)	Grommet, Rbr, 0.89id, F/ 1.2h, .14matl	1
	7	82839	(000000-003797)	Tread, Non-Skid, 02.2 11.5	1
	8	06931	(000000-003797)	Screw, Pan, M05 X 0.8 X 6, 4.8	2
	9	01683	(000000-003797)	Washer, Flt, #10 Ss	2
	10	32980	(000000-003797)	Washer, Lock, Int, #10	2
	11	223239	(000000-003797)	Arm, Cntrl, Throttle, Electronic	1
	12	39717	(000000-003797)	Screw, Pan, .25-20 X 1.00, 2	1
	13	32981	(000000-003797)	Nut, Hex, Lock, .25-20, NI	1
	14	14601	(000000-003797)	Balljoint, .25-28 Fem/.25-28mal	2
	15	223090	(000000-003797)	Rod, Thr, 2 End, .25-28 04.4l	1
	16	01714	(000000-003797)	Nut, Hex, Std, .25-28	2
	17	13513	(000000-003797)	Nut, Hex, Lock, .25-28, NI	2
	18	32490	(000000-003797)	Washer, Flt, .25 Std	2
	19	223601	(000000-003797)	Retainer, Spring	2
	20	223600	(000000-003797)	Strip, Stl, 0.05th X 00.75w, 07.80l	4
	21	06944	(000000-003797)	Screw, Hex, M06 X 1.0 X 25, 8.8	2
	22	08708	(000000-003797)	Nut, Hex, Lock, M06 X 1.0, NI	2
	23	223320	(000000-003797)	Pedal Wldt, Accelerator	1
	24	39284	(000000-003797)	Screw, Hex, M10 X 1.5 X 35, 8.8	1
	25	39312	(000000-003797)	Nut, Hex, Std, M10 X 1.5	1
	26	87725	(000000-003797)	Spacer	1
	27	06963	(000000-003797)	Screw, Hex, M10 X 1.5 X 60, 8.8	1
	28	32485	(000000-003797)	Washer, Flt, .38 Sae	1
	29	41430	(000000-003797)	Nut, Hex, Lock, M10 X 1.5, NI	1
	30	39308	(000000-003797)	Screw, Soc, M08 X 1.25 X 25, 12.9	1
	31	08709	(000000-003797)	Nut, Hex, Lock, M08 X 1.25, NI	1
	32	06474A	(000000-003797)	Pin, Clevis, 0.50 D X 3.50l	1
	33	32486	(000000-003797)	Washer, Flt, .50 Sae	1
	34	08182	(000000-003797)	Pin, Cotter, .125 X 1.00	1
	35	223094	(000000-003797)	Box, Accelerator	1
	36	222159	(004658-)	Screw, Hex, M6 X 1.00 X 25, Fmg	4
▽	37	1034891	(004658-)	Pedal Assy, Propel, 36vdc	1
▲	38	385726	(004658-)	Sensor, Position, Pedal	1
▲	39	1042514	(004658-)	Tread, Non-Skid	1
▲	40	1042513	(004658-)	Circuitboard, Pedal	1

Fig. 11 - Wheel Group, Front Drive

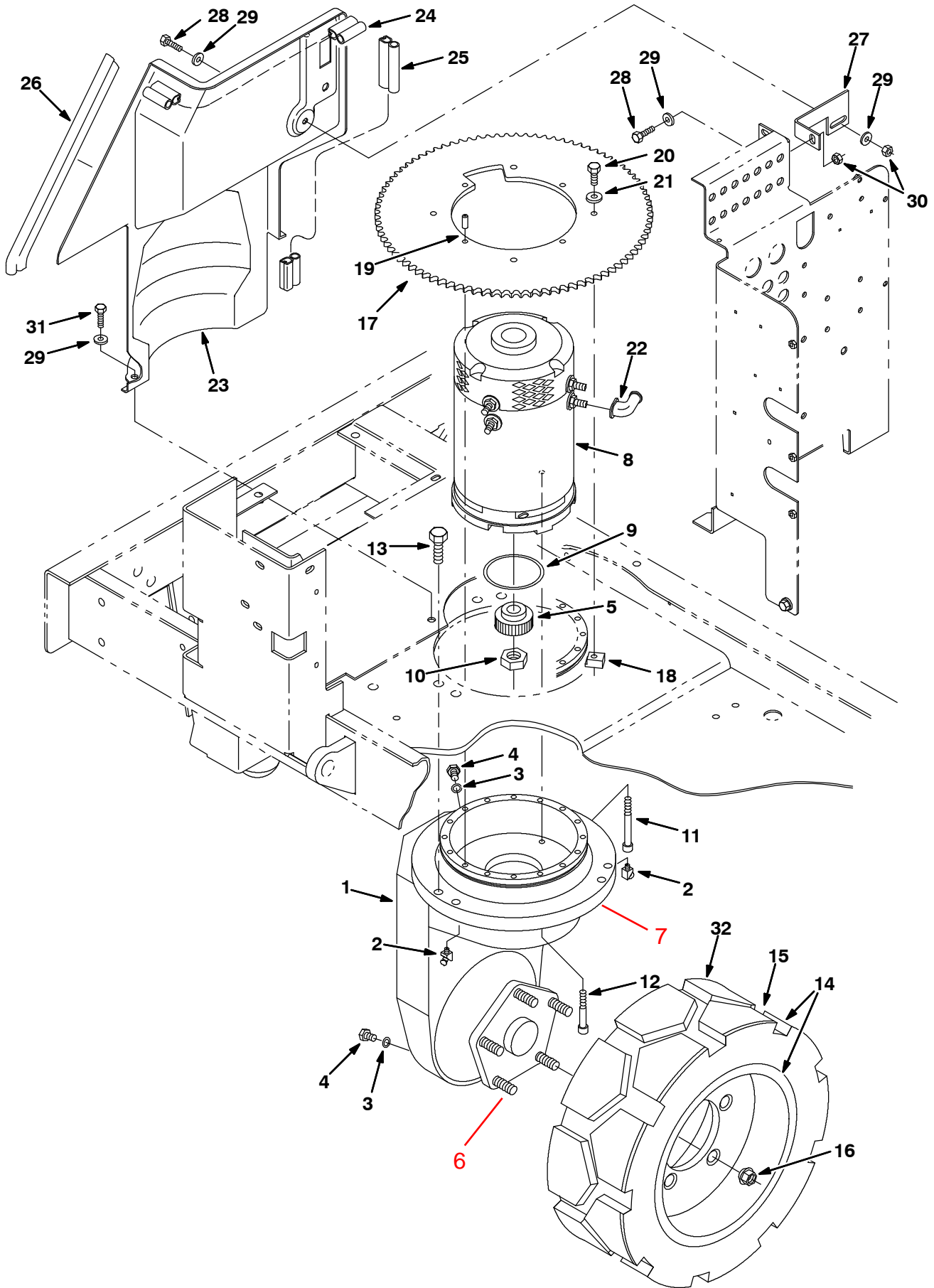


Fig. 11 - Wheel Group, Front Drive

	Ref.	Tennant Part No.	Machine Serial Number	Description	Qty.
▽	1	87355	(000000-) Gearbox, 90, Drive Wheel, Rear, [Hu]	1
▲	2	87839	(000000-) Fitting, Grease	2
▲	3	87840	(000000-) Seal, O-Ring	2
▲	4	87841	(000000-) Plug	2
▲	5	87849	(000000-) Gear, Drive	1
▲	6	12540	(000000-) Bolt	5
▲	7	61791	(000000-) Bearing	1
	8	386811	(000000-) Motor, Ele, Vdc 3.0hp Traction,[201] (See Breakdown)	1
	9	360980	(000000-) Seal, O-Ring, .139 X 2.98id	1
	10	43957	(000000-) Nut, Hex, Std, .50-20	1
	11	09030	(000000-) Screw, Soc, M08 X 1.25 X 80, 12.9	2
	12	09294	(000000-) Screw, Soc, M08 X 1.25 X 60, 12.9	1
	13	41345	(000000-) Screw, Hex, M12 X 1.75 X 25, 8.8	6
▽	14	387660	(000000-) Tire Assy, Solid, 16.2X6.0 5.7Bc/5 Bolt	1
▲	15	387659	(000000-) Tire, Solid, 16.2X6.0X11.2	1
	16	87750	(000000-) Nut, Wheel, M14-1.5	5
	17	363385	(000000-) Sprocket Wldt, #40, 96tooth, 7.00 B	1
	18	14150	(000000-) Clip, Sprocket	4
	19	14296	(000000-) Pin, Roll, .310 D X 0.75l, .312/.318	4
	20	16931	(000000-) Screw, Hex, M08 X 1.25 X 20, 8.8	4
	21	41187	(000000-) Washer, Belleville, .38	4
	22	02076	(000000-) Boot, 90deg .50d .57d X .84	4
▽	23	387346	(000000-) Panel, Motor, Cover W/ Label	1
▲	24	386458	(000000-) Seal, Bulb, [Sd-504], 15.52l	1
▲	25	386459	(000000-) Seal, Bulb, [Sd-504], 27.90l	1
▲	26	386558	(000000-) Seal, Bulb, [Sd-168], 12.50l	1
	27	387035	(000000-006999) Bracket, Panel	1
	27	1056675	(007000-) Bracket, Panel, Iron Gray	1
	28	16931	(000000-) Screw, Hex, M08 X 1.25 X 20, 8.8	2
	29	32491	(000000-) Washer, Flt, .31 Std	8
	30	07791	(000000-) Nut, Hex, Lock, M08 X 1.25,NI	2
	31	16735	(000000-) Screw, Hex, M08 X 1.25 X 16, 8.8	4
	32	1059346	(000000-) Tire, Drive, Scrbr, Non-Skid, 16.0X6.0 (Option)	1
	32	1061975	(000000-) Tire, Drive, Scrbr, Pu, Grey,16.0X6.0 (Polyurethane Option)	1

Fig. 12 - Brake Pedal Group

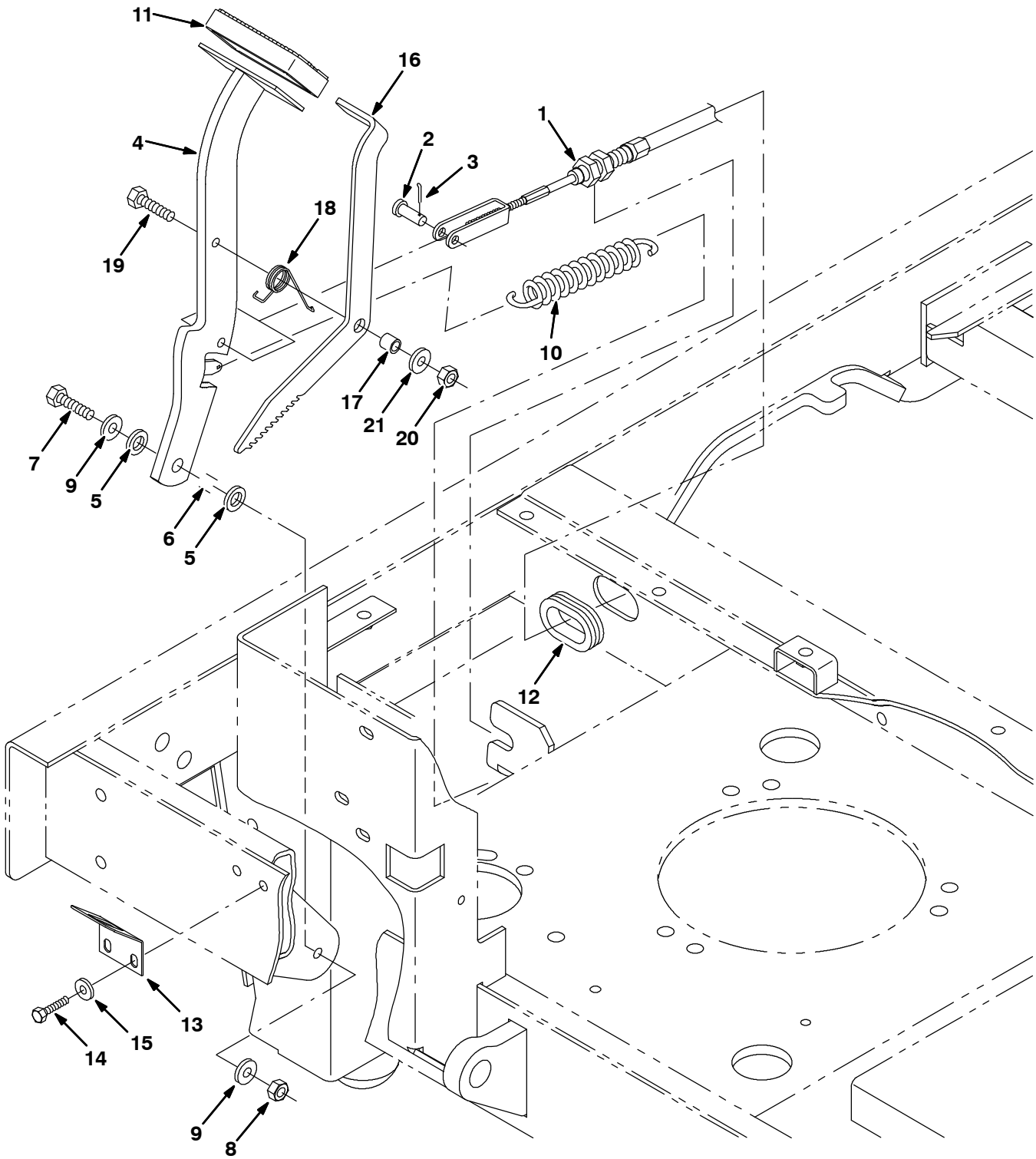


Fig. 12 - Brake Pedal Group

Ref.	Tennant Part No.	Machine Serial Number	Description	Qty.
1	386229	(000000-) Cable, Pull	1
2	69582	(000000-) Pin, Clevis, 0.31 D X 1.00l	1
3	39005	(000000-) Pin, Cotter, .094 X 0.75	1
4	386375	(006999-) Lever Wldt	1
4	1056860	(007000-) Lever Wldt, Iron Gray	1
5	86860	(000000-) Bearing, Thrust	2
6	222460	(000000-) Sleeve	1
7	09026	(000000-) Screw, Hex, M08 X 1.25 X 40, Ss	1
8	08713	(000000-) Nut, Hex, Lock, M08 X 1.25,NI, Ss	1
9	01685	(000000-) Washer, Flt, .31 Ss	2
10	379217	(000000-) Spring, Extn, 1.00od X 0.11wir, 5.5l	1
11	51109	(000000-) Pad	1
12	10632-13	(000000-) Grommet, Rbr, 1.50id, F/ 1.8h, .31matl	1
13	386915	(000000-) Plate, Stop	1
14	06943	(000000-) Screw, Hex, M06 X 1.0 X 20, 8.8	2
15	32490	(000000-) Washer, Flt, .25 Std	2
16	387656	(006999-) Pedal, Brake	1
16	1056937	(007000-) Pedal, Brake, Parking, Iron Gray	1
17	46563	(000000-) Bushing, Sleeve, 0.37b 0.50d 0.50l	1
18	59009	(000000-) Spring, Tors, 0.75id .06wir 02.8coil	1
19	06955	(000000-) Screw, Hex, M08 X 1.25 X 35, 8.8	1
20	08709	(000000-) Nut, Hex, Lock, M08 X 1.25,NI	1
21	39349	(000000-) Washer, Flt, .31 Sae	1

Fig. 13 - Wheel and Brake Group, Rear

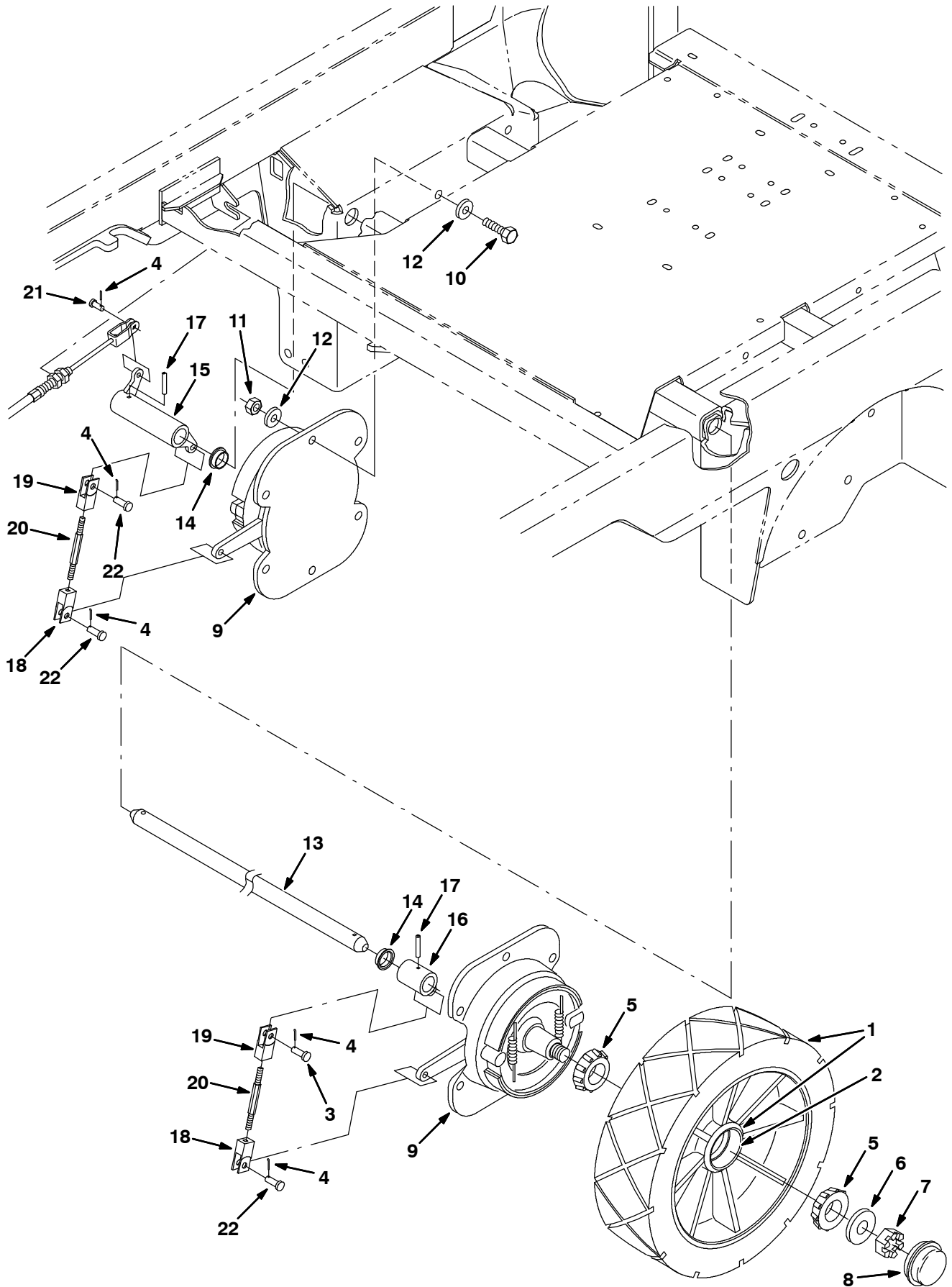


Fig. 13 - Wheel and Brake Group, Rear

	Ref.	Tennant Part No.	Machine Serial Number	Description	Qty.
▽	1	1059348	(000000-) Tire, Idler, Scrbr, Blk, 16.0X5.0	2
▲	2	51338	(000000-) Bearing, Cup, 2.56d 0.55w	2
▽	1	1061976	(000000-) Tire, Idler, Scrbr, Pu, Grey, 16.0X5.0 (Polyurethane Option)	2
▲	2	51338	(000000-) Bearing, Cup, 2.56d 0.55w	2
▽	1	387015	(000000-) Tire Assy, Non-Skid, 16X5X12.12 (Option)	2
▲	2	51338	(000000-) Bearing, Cup, 2.56d 0.55w	2
	3	09088	(000000-) Pin, Clevis, 0.37 D X 1.00l	4
	4	39005	(000000-) Pin, Cotter, .094 X 0.75	5
	5	51339	(000000-) Bearing, Cone, 1.38b 0.71w	4
	6	32969	(000000-) Washer, Flat, 1.00 Sae Hard	2
	7	14242	(000000-) Nut, Hex, Slt'd, 1.00-20	2
	8	54390	(000000-) Cap, Hub 2.567 Hole	2
▽	9	54577	(000000-) Brake Assy	2
▲		66211	(000000-) Brake Shoes	2
▲		66213	(000000-) Brake Repair Kit	1
▲		70161	(000000-) Chrome Pltd Cam Shaft	1
▲		70158	(000000-) Return Spring-Brakes	2
	10	06969	(000000-) Screw, Hex, M12 X 1.75 X 40, 8.8	12
	11	08711	(000000-) Nut, Hex, Lock, M12 X 1.75,NI	12
	12	32486	(000000-) Washer, Flt, .50 Sae	24
	13	386367	(000000-) Shaft	1
	14	83733	(000000-) Bushing, Flng, 1.00b 1.13d 0.38l	2
	15	1056859	(000000-) Arm Wldt, Brake, Rh, Iron Gray [7200]	1
	16	1056861	(000000-) Arm Wldt, Brake, Lh, Iron Gray [7200]	1
	17	26315	(000000-) Pin, Roll, .250 D X 1.50l, .250/.256	2
	18	1023676	(000000-) Clevis, Adj, 0.38pin, 0.31-24, PI	2
	19	1023677	(000000-) Clevis, Adj, 0.38pin, 0.31-24, Lh, PI	2
	20	386378	(000000-) Rod, Threaded	2
	21	10120	(000000-) Pin, Clevis, 0.31 D X 0.75l	1

Fig. 14 - Solution Tank Group

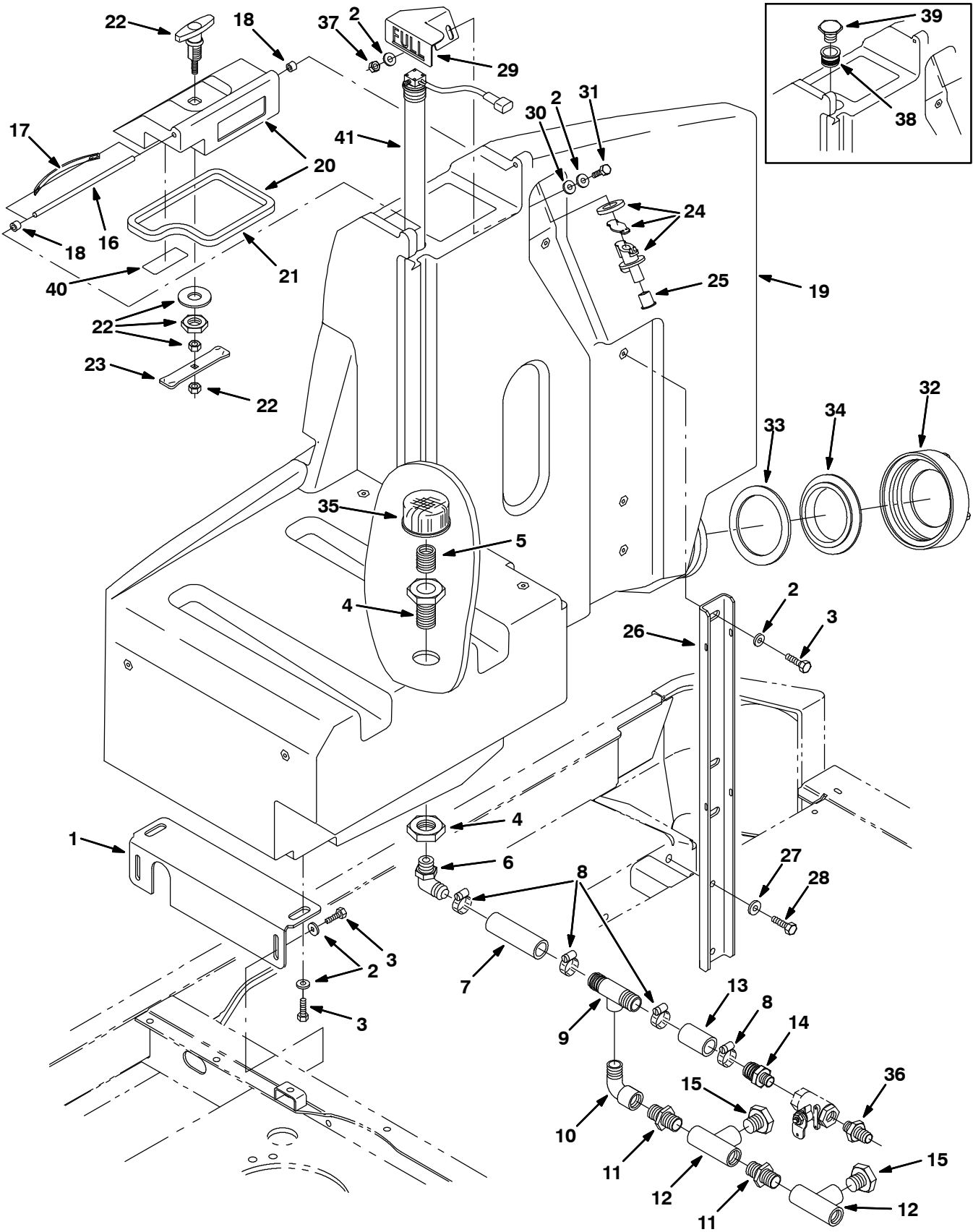


Fig. 14 - Solution Tank Group

Ref.	Tennant Part No.	Machine Serial Number	Description	Qty.	
1	1056849	(000000-) Bracket, Mtg, Tank, Iron Gray	1	
2	01685	(000000-) Washer, Flt, .31 Ss	9	
3	12273	(000000-) Screw, Hex, M08 X 1.25 X 20, Ss, NI	7	
4	386224	(000000-) Fitting, Plstc, Bkhd, Pf16/Pf16	1	
5	223499	(000000-) Fitting, Plstc, Str, Pm16/Pm16 Close	1	
6	365093	(000000-) Fitting, Plstc, E90, 16bm/16pm	1	
7	386420	(000000-) Hose, Water, 1.0id 4.5l	1	
8	11399	(000000-) Clamp, Hose, Wormdrive, 0.81-1.50d	4	
9	365096	(000000-) Fitting, Plstc, Tee, Bm16/Pf12/Bm16	1	
10	69785	(000000-) Fitting, Plstc, E90, Pm12/Pf12	1	
11	24544	(000000-) Fitting, Plstc, Str, Pm12/Pm12	2	
12	42133A	(000000-) Fitting, Plstc, Tee, Pf12/Pf12/Pf12	2	
13	386421	(000000-) Hose, Water, 1.0id 2.25l	1	
14	57379	(000000-) Fitting, Plstc, Str, Pm12/Bm16	1	
15	75611	(000000-) Fitting, Plstc, Plug, Pm12	2	
16	386419	(000000-) Pin, Hinge, Cover	1	
17	386643	(000000-) Spring, Cover	1	
18	49740	(000000-) Cap, Plastic	2	
19	387684	(000000-006999)) Tank Kit, Soltn, W/ Label, Replmt [8300]	1	
19	9006973	(007000-) Tank Kit, Soltn, W/ Label, Teal, Replmt	1	
▽	20	387594	(000000-006999)) Cover Kit, Soltn, W/ Gasket	1
▲	21	386320	(000000-006999)) Gasket, Celr Ure, .50, 05.94w 08.88l,Adh	1
▽	20	9006967	(007000-) Cover Kit, Soltn, W/ Gasket, Teal	1
▲	21	386320	(007000-) Gasket, Celr Ure, .50, 05.94w 08.88l,Adh	1
	21	386162	(000000-) Cover, Tank, Solution	1
	22	386324	(000000-) Handle	1
	23	386222	(000000-) Bar	1
	24	78842	(000000-) Kit, Valve, Check	1
	25	78740	(000000-) Plug, Cap	1
	26	386160	(000000-006999)) Channel	1
	26	1056382	(007000-) Channel, .19, 2.5w 1.0 29.3l, H&S, Gray	1
	27	01686	(000000-) Washer, Flt, .38 Ss	2
	28	77347	(000000-) Screw, Hex, M10 X 1.5 X 35, Ss	2
	29	387061	(000000-) Bracket, Full	1
	30	63416	(000000-) Washer, 0.31b 0.88d .12, Rbr	1
	31	09011	(000000-) Screw, Hex, M08 X 1.25 X 30, Ss	1
	32	23456	(000000-) Cap, Tank, Drain, 6.17 Thread Pye	1
	33	1031699	(000000-) Gasket, .19, 4.05id 5.29od [Buna]	1
	34	86636	(000000-) Cover, Tank	1
	35	20810	(000000-) Filter, Soltn, 20mesh, Pf16 3.1d 02.3l	1
	36	79273-2	(000000-) Fitting, Plstc, Str, Bm12/Pm12	1
	37	08713	(000000-) Nut, Hex, Lock, M08 X 1.25,NI, Ss	1
	38	223528	(000000-003817)) Grommet, Level Sensing 1.6 D 9.6L	1
	39	49745	(000000-003817)) Fitting, Plstc, Plug, PM16	1
	40	391451	(003818-) Label, Attention Fast Users	1
	41	375431	(003818-) Kit, Replmt, Press Switch/34" Tube	1

Fig. 15 - FaST Solution Pump Group (000000-004791)

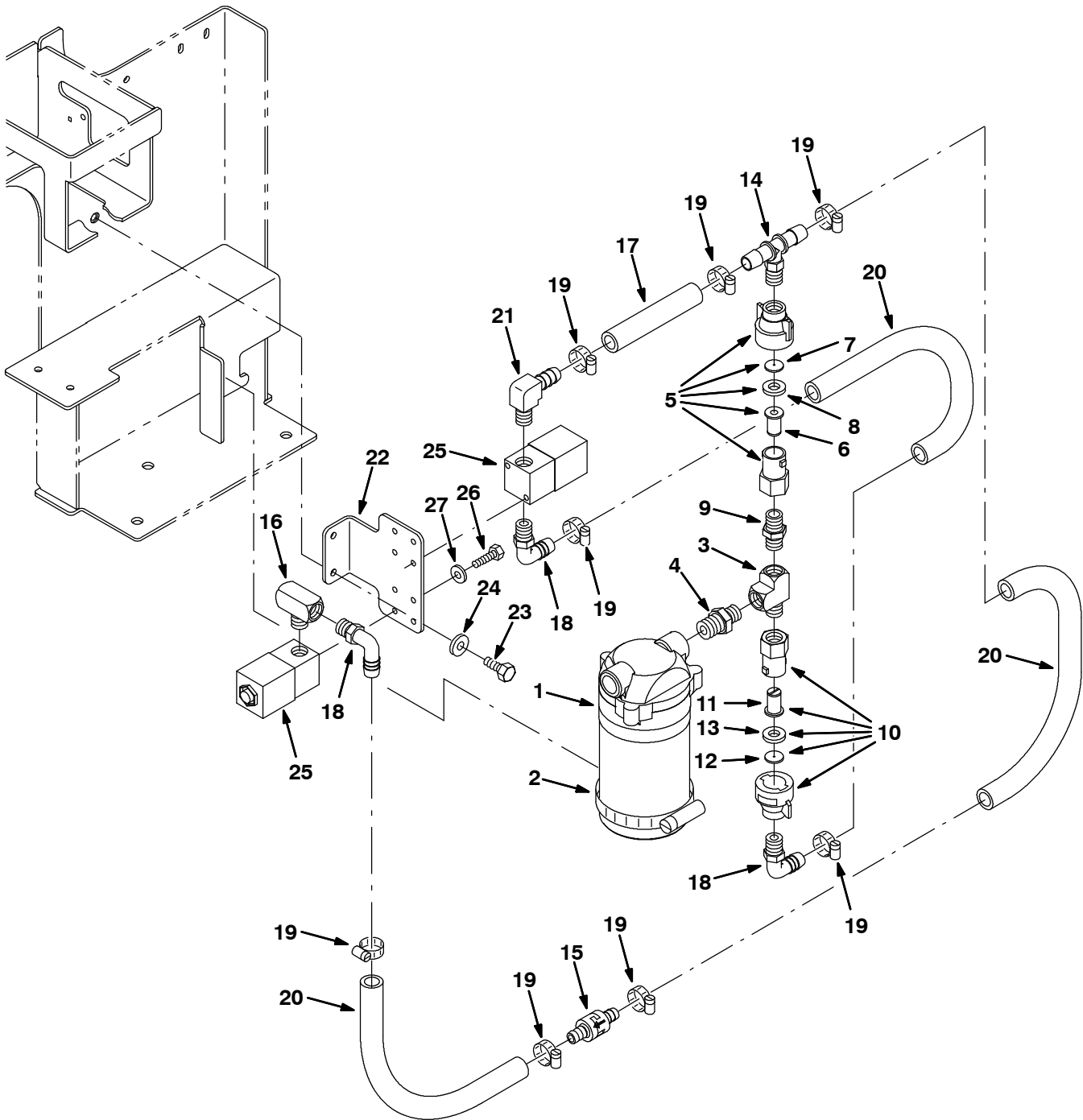


Fig. 15 - FaST Solution Pump Group (000000-004791)

Ref.	Tennant Part No.	Machine Serial Number	Description	Qty.	
1	1005866	(000000-004791)	Pump, Soltn, Ele, 36vdc	1	
2	43555	(000000-004791)	Clamp, Hose, Wormdrive, 1.62-3.50d	1	
3	24929	(000000-004791)	Fitting, Brs, Tee, Pf04/Pf04/Pm04	1	
4	1010835	(000000-004791)	Fitting, Brs, Str, Pm04/Pm06	1	
▽	5	1010655	(000000-004791)	Fitting Assy, Cap, 0.067b, Pf04	1
▲	6	1006447	(000000-004791)	Screen, 50 Mesh, Ss	1
▲	7	1010658	(000000-004791)	Plate, Orifice, 0.067id	1
▲	8	1005508	(000000-004791)	Washer, Flat, 0.34b 0.75d 0.12, Viton	1
	9	398468	(000000-004791)	Fitting, Brs, Str, Pm04/Pm04	1
▽	10	1010660	(000000-004791)	Fitting Assy, Cap, 0.086b, Pf04	1
▲	11	1006447	(000000-004791)	Screen, 50 Mesh, Ss	1
▲	12	1010661	(000000-004791)	Plate, Orifice, 0.086id	1
▲	13	1005508	(000000-004791)	Washer, Flat, 0.34b 0.75d 0.12, Viton	1
	14	1010791	(000000-004791)	Fitting, Plstc, Tee, Bm08/Pm04/Bm08 Nyl	1
	15	1010614	(000000-004791)	Valve, Check, 2 Gpm 3" 06bm/08bm	1
	16	53268	(000000-004791)	Fitting, Brs, Tee, Pf04/Pm04/Pf04	1
	17	1011403	(000000-004791)	Hose, Afmkt Replmt, Pvc, Brd 0.50id 1 Ft	1
	18	1010713	(000000-004791)	Fitting, Plstc, E90, Bm08/Pm04 Nyl	3
	19	54333	(000000-004791)	Clamp, Hose, Wormdrive, 0.31-0.88d	8
	20	1011521	(000000-004791)	Hose, Afmkt Replmt, Pvc, Brd 0.50id 2 Ft	3
	21	1010836	(000000-004791)	Fitting, Brs, E90, Pm04/Bm08	1
	22	1013857	(000000-004791)	Bracket, Mtg, Valve, Solenoid	1
	23	06942	(000000-004791)	Screw, Hex, M6 X 1.0 X 16, 8.8	2
	24	32490	(000000-004791)	Washer, Flat, 0.25 Std	2
	25	1028581	(000000-004791)	Valve, Water, 36vdc, 6.0mm, 04pf	2
	26	09252	(000000-004791)	Screw, Hex, M5 X 0.8 X 20, 8.8	4
	27	19066	(000000-004791)	Washer, Flat, #10	4

STANDARD PARTS

Fig. 16 - FaST Air Pump and Detergent Group (000000-004791)

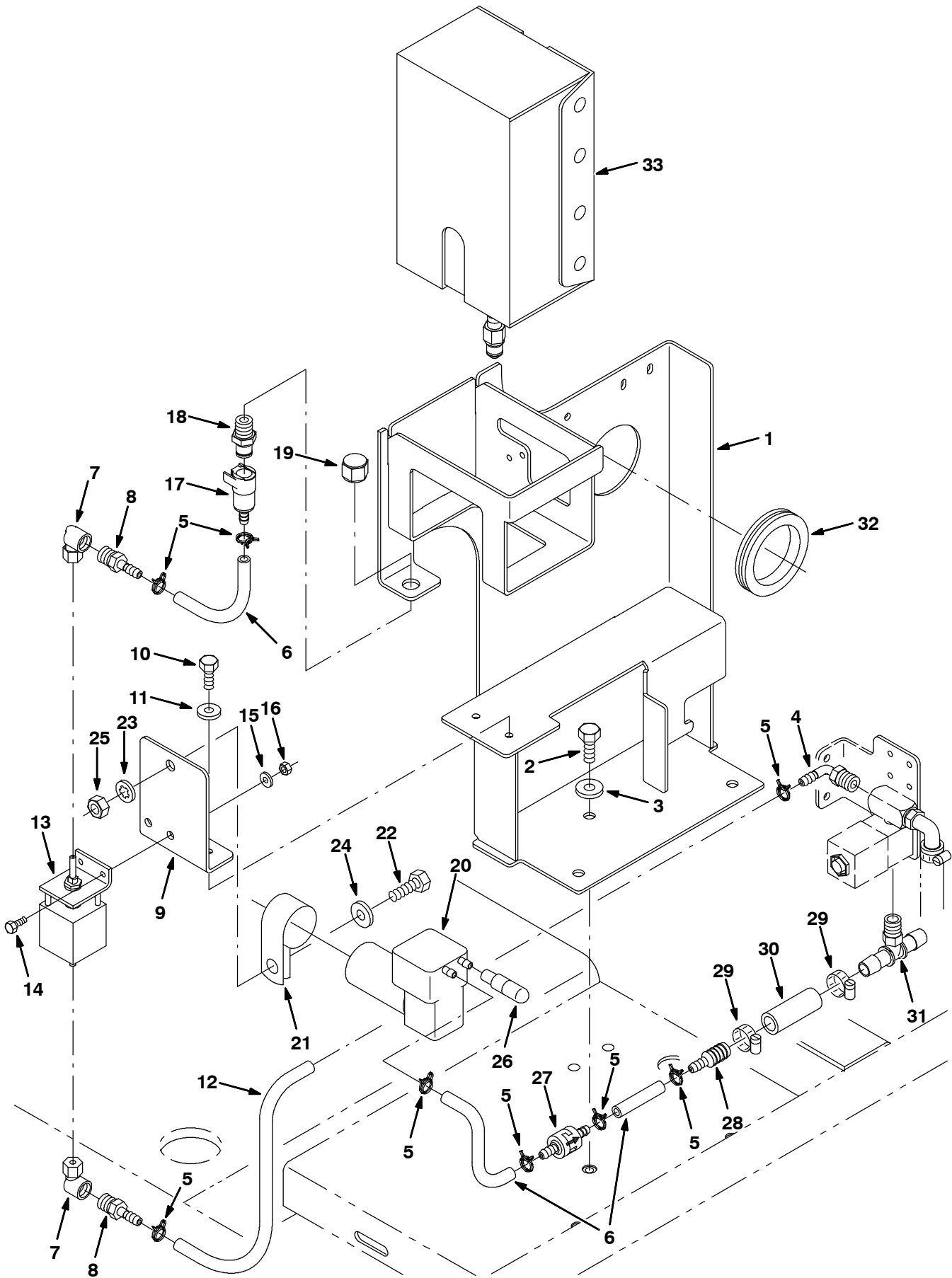


Fig. 16 - FaST Air Pump and Detergent Group (000000-004791)

Ref.	Tennant Part No.	Machine Serial Number	Description	Qty.
1	1010797	(000000-004158)	Bracket Wldt [7300/8300-FaST]	1
1	1024009	(004159-004791)	Bracket Wldt [7300/8300 FaST]	1
2	16931	(000000-004791)	Screw, Hex, M8 X 1.25 X 20, 8.8	3
3	32491	(000000-004791)	Washer, Flat, 0.31 Std	3
4	1011170	(000000-004791)	Fitting, Plstc, E90, Bm04/Pm04 Nyl	1
5	613735	(000000-004791)	Clamp, Hose .40 - .42 2 Wire	8
6	1014987	(000000-004791)	Hose, Afmkt, Pvc, Clr 0.25id 1 Ft	2
7	1014082	(000000-004791)	Fitting, Brs, E90, Cf03/Pf02	2
8	150525	(000000-004791)	Fitting 1/8mx1/4h Barb Brs	2
9	1013866	(000000-004791)	Bracket, Mtg, Pump, Detgt [7300/8300]	1
10	06942	(000000-004791)	Screw, Hex, M6 X 1.0 X 16, 8.8	2
11	32490	(000000-004791)	Washer, Flat, 0.25 Std	2
12	1014986	(000000-004791)	Hose, Afmkt, Pvc, Clr 0.25id 2 Ft	1
13	1014056	(000000-004791)	Pump, Detgt, 560s	1
14	09206	(000000-004791)	Screw, Hex, M4 X 0.7 X 12, 8.8	2
15	19064	(000000-004791)	Washer, Flat, #06	2
16	02850	(000000-004791)	Nut, Hex, Lock, M 4 X 0.7, NI	2
17	1002898	(000000-004791)	Coupling, Fem, W/ Valve, .25 Brb	1
18	1002899	(000000-004791)	Coupling, Mal, .25 Npt	1
19	1005435	(000000-004791)	Fitting, Plstc, Cap, Pf04	1
20	1008211	(000000-004791)	Pump, Air, Ele, 36vdc	1
21	53466	(000000-004791)	Clamp, Cable, Stl, 1.50d X 1.00w, 1h	1
22	09010	(000000-004791)	Screw, Hex, M8 X 1.25 X 25, Ss	1
23	32984	(000000-004791)	Washer, Lock, Int, .31	1
24	32491	(000000-004791)	Washer, Flat, 0.31 Std	1
25	08709	(000000-004791)	Nut, Hex, Lock, M8 X 1.25, NI	1
26	1005255	(000000-004791)	Filter Assy, Air, Molded Ure	1
27	1010871	(000000-004791)	Valve, Check, 2 Gpm 0.5psi Bm04/Bm04	1
28	25620	(000000-004791)	Fitting, Plstc, Str, Bm04/Bm08	1
29	54333	(000000-004791)	Clamp, Hose, Wormdrive, 0.31-0.88d	2
30	1011403	(000000-004791)	Hose, Afmkt Replmt, Pvc, Brd 0.50id 1 Ft	1
31	1010791	(000000-004791)	Fitting, Plstc, Tee, Bm08/Pm04/Bm08 Nyl	1
32	10632-19	(000000-004791)	Grommet, Rbr, 2.13id, F/ 2.5h, .12 Matl	1
33	1017015	(000000-004791)	Detergent Pkg, 2 Liter, Sgl, 365	1
33	1017022	(000000-004791)	Detergent Pkg, 2 Liter, Sgl, 665	1
33	1021878	(000000-004791)	Detergent Pkg, 4 Liter, Sgl [Tco 665]	1

Fig. 17 - FaST Foam Filter Group (00000-004791)

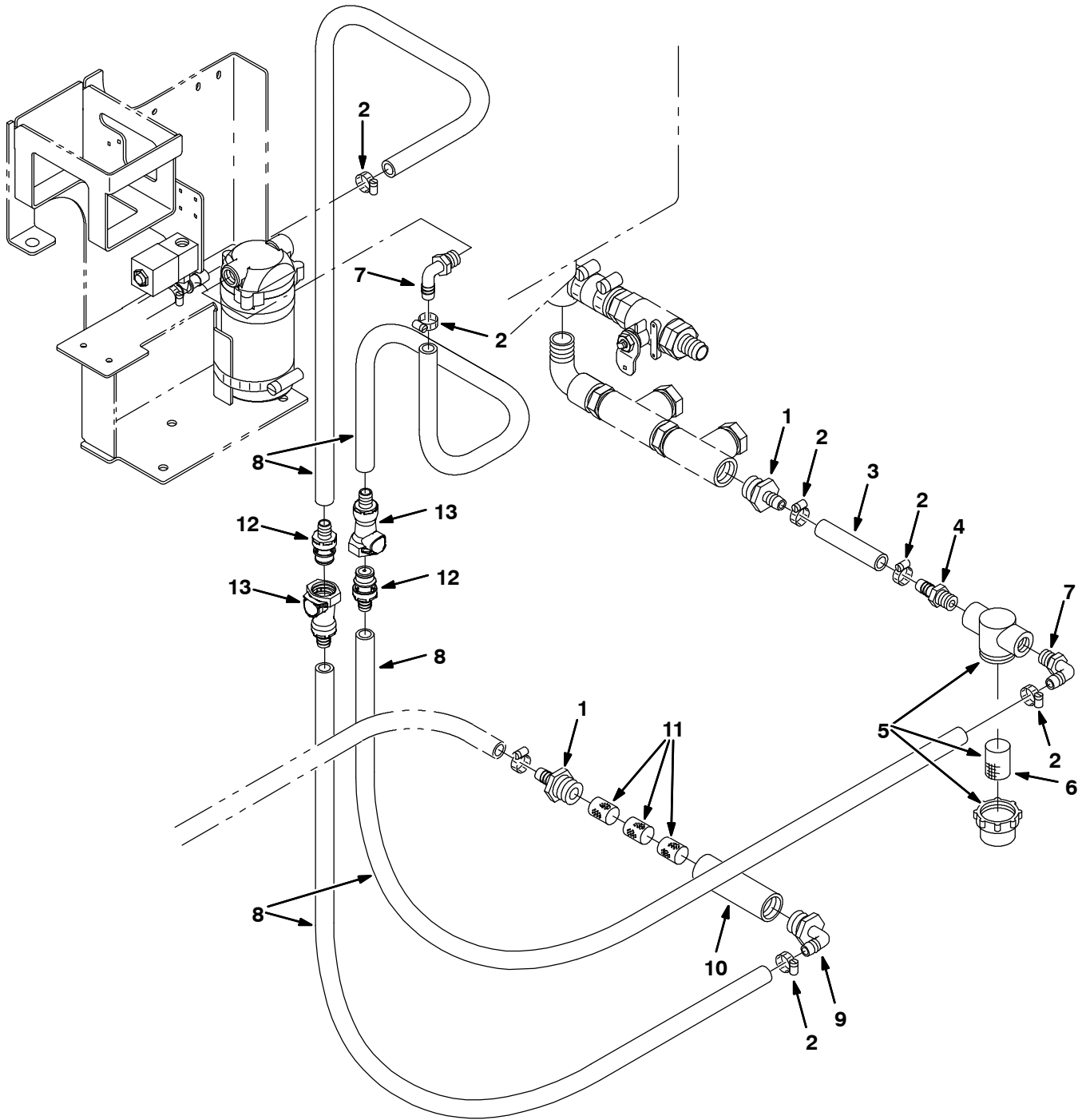


Fig. 17 - FaST Foam Filter Group (000000-004791)

Ref.	Tennant Part No.	Machine Serial Number	Description	Qty.	
1	79273-1	(000000-004791)	Fitting, Plstc, Str, Bm08/Pm12	1	
2	54333	(000000-004791)	Clamp, Hose, Wormdrive, 0.31-0.88d	6	
3	1011403	(000000-004791)	Hose, Afmkt Replmt, Pvc, Brd 0.50id 1 Ft	1	
4	64743	(000000-004791)	Fitting, Plstc, Str, Bm08/Pm06	1	
▽	5	1005302	(000000-004791)	Filter, Inline, Pf06/Pf06, 80 Mesh	1
▲	6	1005304	(000000-004791)	Screen, Filter, 80 Mesh	1
7	64778	(000000-004791)	Fitting, Plstc, E90, Bm08/Pm06	2	
8	1011835	(000000-004791)	Hose, Afmkt Replmt, Pvc, Brd 0.50id 20ft	1	
9	1005552	(000000-004791)	Fitting, Plstc, E90, Bm08/Pm12, Nyl	1	
10	1005086	(000000-004791)	Tube, Pvc, Shc80, Clear, 4.0l	1	
11	1002789	(000000-004791)	Filter, Foam	3	
12	1017415	(000000-004791)	Coupling Insert, Qm, Bm08	1	
13	1017413	(000000-004791)	Coupling Body, Qf, Pm08	1	

Fig. 18 - FaST Pumps and Detergent Group (004792-)

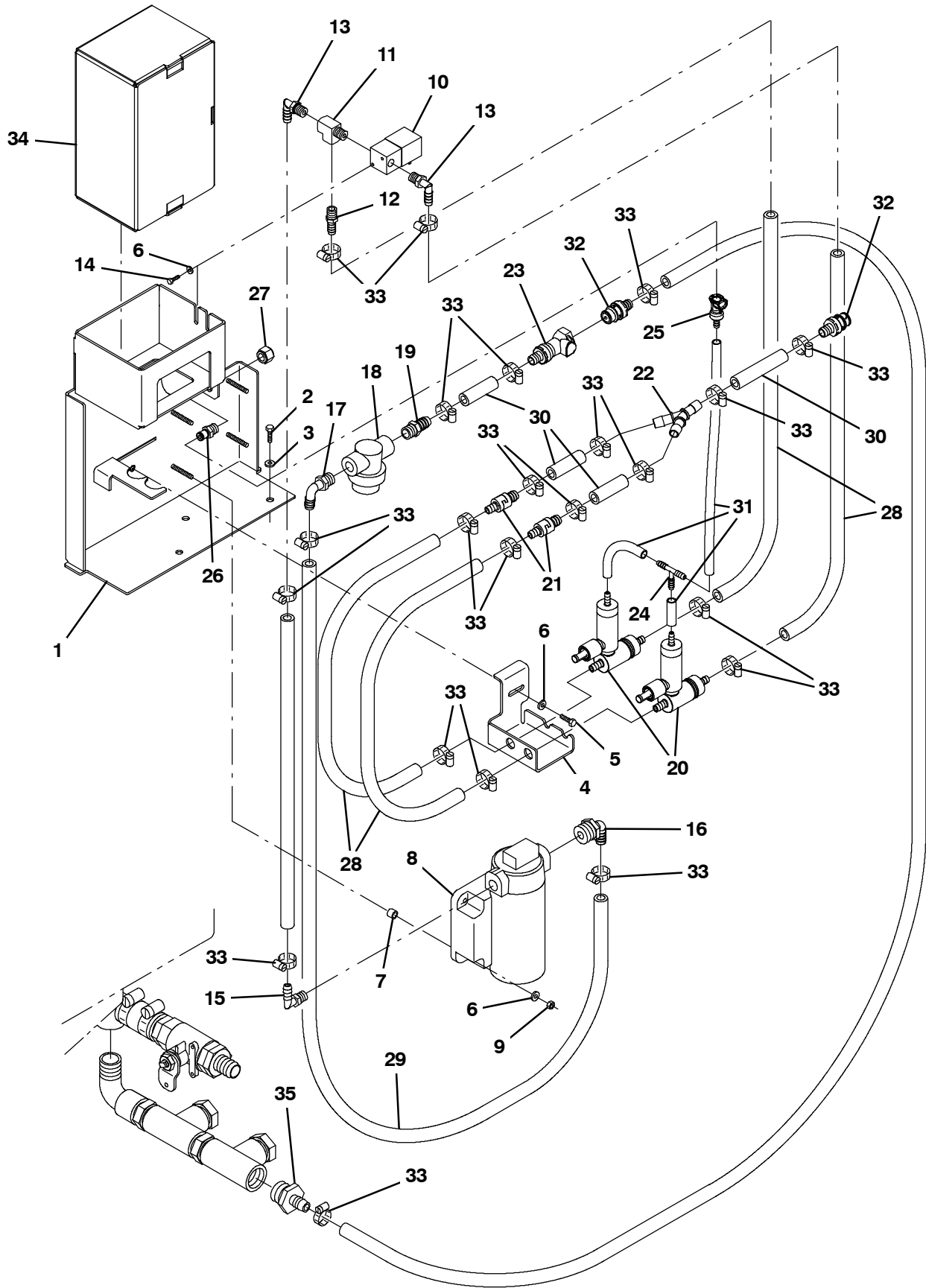


Fig. 18 - FaST Pumps and Detergent Group (004792-)

Ref.	Tennant Part No.	Machine Serial Number	Description	Qty.
1	1050771	(004792-)	Bracket Wldt [7300/8300 Fast li+]	1
2	16735	(004792-)	Screw, Hex, M8 X 1.25 X 16, 8.8	3
3	32491	(004792-)	Washer, Flat, 0.31, Std	3
4	1050805	(004792-)	Bracket, Mtg [Fast li+]	1
5	06942	(004792-)	Screw, Hex, M6 X 1.00 X 16, 8.8	1
6	01683	(004792-)	Washer, Flat, 10, Ss	7
7	360801	(004792-)	Sleeve, 0.32b 0.50d 0.3l, 2cham, Ss	4
8	1045633	(004792-)	Pump, Soltn, 36vdc, 65psi [Fast li+]	1
9	06549	(004792-)	Nut, Hex, Lock, M5 X 0.80, NI	4
10	1028581	(004792-)	Valve, Water, Solenoid, 36vdc 6.0mm Pf04	1
11	150709	(004792-)	Fitting, Brs, Tee, Pm04/Pf04/Pf04, Run	1
12	150540	(004792-)	Fitting, Plstc, Str, Bm06/Pm04	1
13	57248	(004792-)	Fitting, Plstc, E90, Bm06/Pm04, Nyl	2
14	12312	(004792-)	Screw, Hex, M5 X 0.80 X 12, 8.8	2
15	1049259	(004792-)	Fitting, Nyl, Qdc, E90, Bm06/ Qm10	1
16	1049254	(004792-)	Fitting, Nyl, Qdc, E90, Bm08/ Qm10	1
17	64778	(004792-)	Fitting, Plstc, E90, Bm08/Pm06	1
18	1005302	(004792-)	Filter, In-Line, Pf06/Pf06 080mesh 02.6l	1
19	64743	(004792-)	Fitting, Plstc, Str, Bm08/Pm06	1
20	1050333	(004792-)	Injector Assy, High, .052 .010[FaST II+] (See Breakdowns)	2
21	1035794	(004792-)	Valve, Check, 0005psi Bm06/Bm08	2
22	1010668	(004792-)	Fitting, Plstc, Y, Bm08/Bm08/Bm08, Nyl	1
23	1017413	(004792-)	Housing, Cplg, Qf / Pm08	2
24	150713	(004792-)	Fitting, Plstc, Tee, Bm04/Bm04/Bm04	1
25	1002898	(004792-)	Fitting, Plstc, Str, Bm04, Cplg, Fem	1
26	1002899	(004792-)	Fitting, Plstc, Str, Pm04, Cplg, Mal	1
27	1005435	(004792-)	Fitting, Plstc, Pipe, Cap, Pf04	1
28	1006400	(004792-)	Hose, Afmkt, Pvc, Brd, 0.38id, 03ft, Clr	2
29	1011521	(004792-)	Hose, Afmkt, Pvc, Brd, 0.50id, 02ft, Clr	1
30	1011403	(004792-)	Hose, Afmkt, Pvc, Brd, 0.50id, 01ft, Clr	1
31	1014986	(004792-)	Hose, Afmkt, Pvc, Clr, 0.25id, 02ft	1
32	1017415	(004792-)	Insert, Cplg, Qm, Bm08	2
33	54333	(004792-)	Clamp, Hose, Wormdrive, 0.31-0.88d, .31w	22
34	1021878	(004792-)	Fast 665 4 Ltr, Detergent	1
34	9002022	(004792-)	Fast 965 4 Ltr, Detergent	1
35	79273-1	(004792-)	Fitting, Plstc, Str, Bm08/Pm12	1

Fig. 19 - Solution Control Group

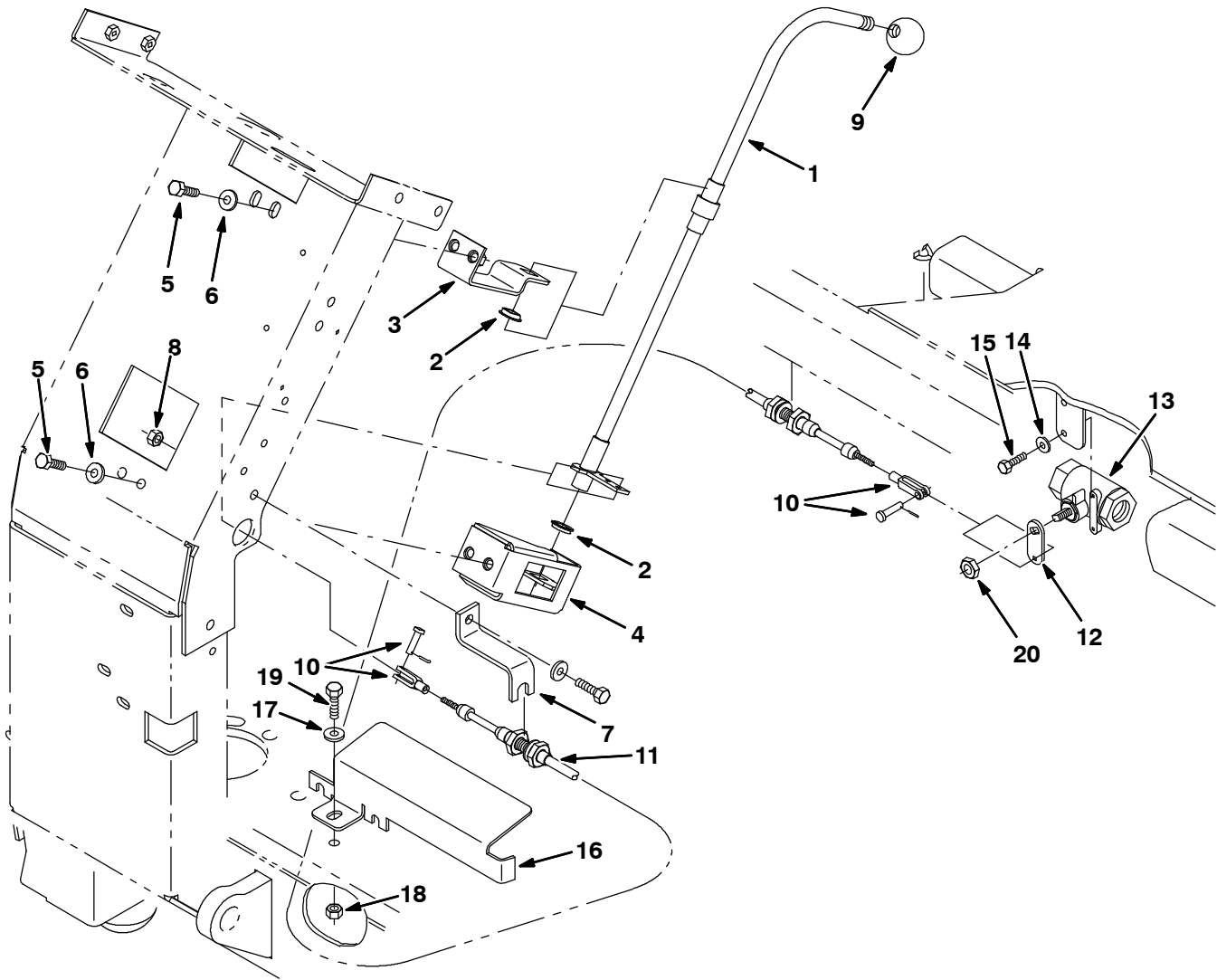


Fig. 19 - Solution Control Group

Ref.	Tennant Part No.	Machine Serial Number	Description	Qty.
1	386116	(000000-) Rod Wldt	1
2	04843	(000000-) Bushing, Flng, 0.63b 0.72d 0.25l	2
3	1056929	(000000-) Bracket, Handle, Water, Iron Gray	1
4	1056928	(000000-) Bracket Wldt, Hose, Water, Iron Gray	1
5	16735	(000000-) Screw, Hex, M08 X 1.25 X 16, 8.8	5
6	32491	(000000-) Washer, Flt, .31 Std	4
7	1056850	(000000-) Bracket, Cntrl, Cable, Iron Gray	1
8	08709	(000000-) Nut, Hex, Lock, M08 X 1.25,NI	1
9	26156	(000000-) Knob, 0.50-20, 1.38d, Plstc	1
10	27880	(000000-) Clevis, Adj, 0.19pin, #10-32	2
11	386351	(000000-) Cable, Push Pull	1
12	1057068	(000000-) Lever, Valve, Water, Iron Gray	1
13	79350	(000000-) Valve, Water	1
14	01683	(000000-) Washer, Flt, #10 Ss	2
15	42011	(000000-) Screw, Hex, #10-24 X 0.50, Ss	2
16	387425	(000000-006999) Bracket, Guard	1
16	1056481	(007000-) Bracket, Guard, Iron Gray	1
17	01684	(000000-) Washer, Flt, .25 Ss	1
18	08712	(000000-) Nut, Hex, Lock, M06 X 1.0, NI, Ss	1
19	09007	(000000-) Screw, Hex, M06 X 1.0 X 25, Ss	1
20	363453	(000000-) Nut, Hex, Lock, .44-20, NI, Thin	1

Fig. 20 - Recovery Tank Group

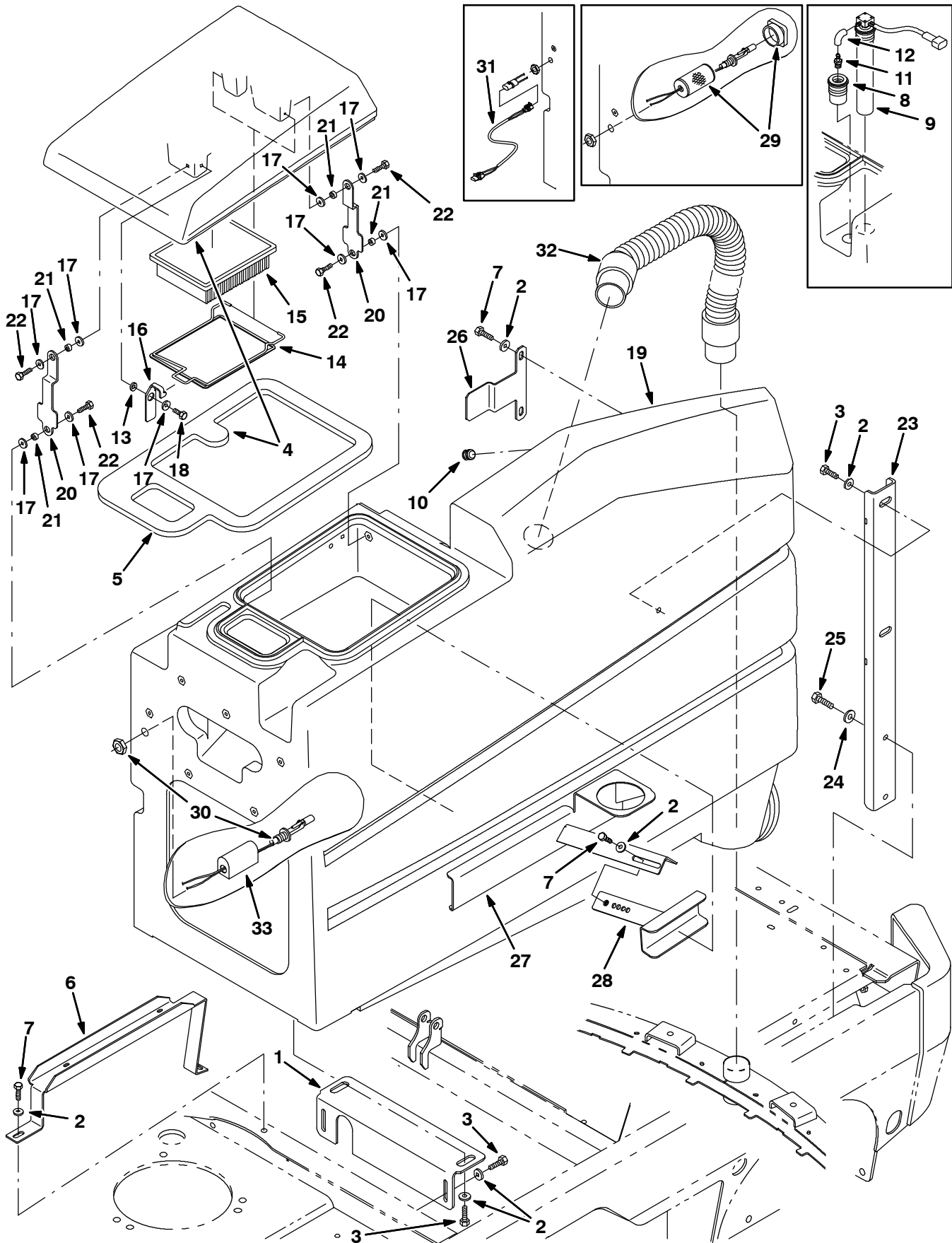


Fig. 20 - Recovery Tank Group

Ref.	Tennant Part No.	Machine Serial Number	Description	Qty.	
1	1056849	(000000-) Bracket, Mtg, Tank, Iron Gray	1	
2	01685	(000000-) Washer, Flt, .31 Ss	14	
3	12273	(000000-) Screw, Hex, M08 X 1.25 X 20, Ss, NI	6	
▽	4	387593	(000000-006999) Kit, Cover, Recvy, W/Gasket	1	
▲	5	386223	(000000-006999) Gasket, Tank, Recovery	1	
▽	4	9006966	(007000-) Cover Kit, Recvy, W/ Gasket, Teal	1
▲	5	386223	(007000-) Gasket, Ure, .50, 12.65w 18.89l, Adh	1
6	1056857	(000000-) Bracket, Harness, Iron Gray	1	
7	09740	(000000-) Screw, Hex, M08 X 1.25 X 20, Ss	6	
8	385750	(000000-003426)	Tube Assy, 2 Inch	1	
9	375429	(000000-003426)	Switch Assy, Press, 4 Inch	1	
10	386424	(000000-) Plug, Cap	1	
11	386425	(000000-003426)	Fitting, Plstc, [90 Bm03/Pm02]	1	
12	13292	(000000-003426)	Hose, Vacuum, 0.16id X 05.0l	2	
13	386785	(000000-) Spacer, Latch, Filter	1	
14	387615	(000000-) Bracket, Retainer, Filter	1	
15	1037822	(000000-) Filter, Panl, Dust, 2.0 X 06.1 X 07.6	1	
16	386325	(000000-) Bracket, Retaining, Filter	1	
17	01685	(000000-) Washer, Flt, 0.38B 0.88D .08, Ss	9	
18	15675	(000000-) Screw, Hex, M08 X 1.25 X 16, Ss	1	
19	387686	(000000-006999)	Tank Kit, Recvy, W/ Label, Replmt [8300]	1	
19	9006975	(007000-) Tank Kit, Recvy, W/ Label, Teal, Replmt	1	
20	386108	(000000-) Bar	2	
21	360801	(000000-) Sleeve	4	
22	12273	(000000-) Screw, Hex, M08 X 1.25 X 20, Ss, NI	4	
23	386160	(000000-) Channel	1	
24	01686	(000000-) Washer, Flt, .38 Ss	2	
25	77347	(000000-) Screw, Hex, M10 X 1.5 X 35, Ss	2	
26	1056868	(000000-) Bracket, Retaining, Iron Gray	1	
27	386444	(000000-) Bracket Wldt, Tank	1	
28	386445	(000000-) Bracket Wldt, Tank	1	
29	375302	(003427-004029)	Strainer, Soltn, Switch Guard (Repl. By 387649)	1	
30	222822	(003427-003859)	Sensor, Level, Liquid [Magnetic]	1	
30	385685	(003860-) Sensor, Level, Liquid, 14vdc 01a .62-11	1	
31	369766	(003427-003859)	Harness, Sensor, Jumper	1	
32	386267	(000000-) Hose, Vacuum, 89.0l	1	
33	1019285	(004030-) Bracket, Protector, Float Switch	1	

Fig. 21 - Recovery Tank Drain Assembly

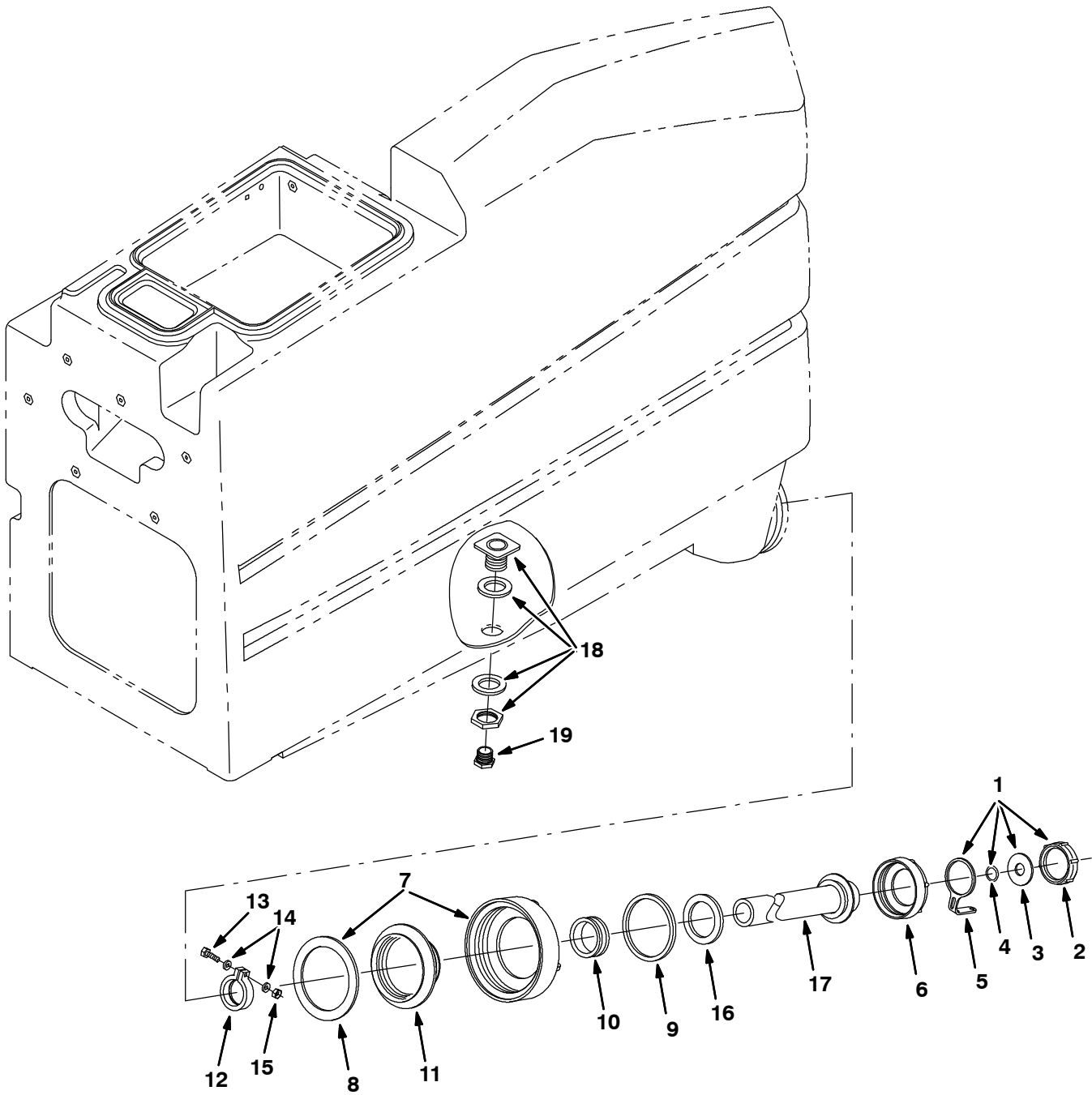


Fig. 21 - Recovery Tank Drain Assembly

Ref.	Tennant Part No.	Machine Serial Number	Description	Qty.
▽	387201	(000000-) Hose Assy, Drain	1
▲▽	1 32501	(000000-) Kit, Cap, Drain	1
▲▲	2 32613	(000000-) Cap, Tank, Drain, 2.25 Thread Pye	1
▲▲	3 32614	(000000-) Gasket, Cap	1
▲▲	4 32669	(000000-) Ring, Retaining, Ext, 0.75d, Ss	1
▲▲	5 32508	(000000-) Strap	1
▲	6 14880	(000000-) Cap, Tank, Drain, 3.85 Thread Pye	1
▲▽	7 24358	(000000-) Cap, Tank	1
▲▲	8 1031699	(000000-) Gasket, .19, 4.05id 5.29od [Buna]	1
▲	9 79320	(000000-) Gasket, Cap, Drain	1
▲	10 41421	(000000-) Seal	1
▲	11 14864	(000000-) Cover, Insert	1
▲	12 41454	(000000-) Clamp, Hose, Plstc, 1.60d X 0.62w	1
▲	13 12316	(000000-) Screw, Hex, M05 X 0.8 X 25, Ss	1
▲	14 01683	(000000-) Washer, Flt, #10 Ss	1
▲	15 09739	(000000-) Nut, Hex, Lock, M05 X 0.8, NI, Ss	1
▲	16 41451	(000000-) Gasket, Lid	1
▲	17 386423	(000000-) Hose Assy, Drain	1
	18 377349	(000000-) Fitting, Plstc, Bkhd, Pf12/Pf12	1
	19 75611	(000000-) Fitting, Plstc, Plug, Pm12	1

Fig. 22 - Scrubber Vacuum Fan Group

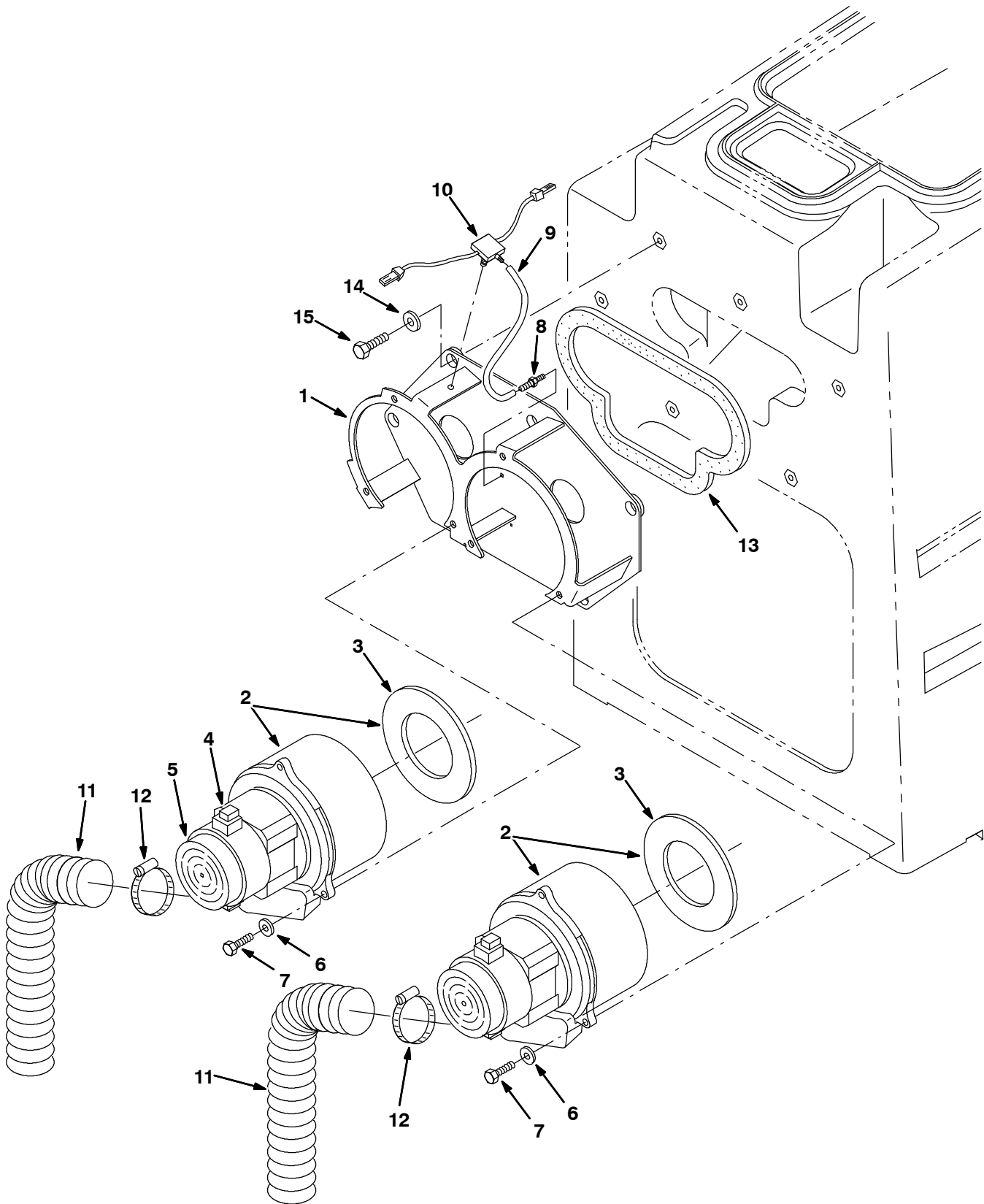


Fig. 22 - Scrubber Vacuum Fan Group

Ref.	Tennant Part No.	Machine Serial Number	Description	Qty.	
1	386321	(000000-004671)	Bracket Wldt, Mtg, Fan	1	
1	1056941	(004672-	Bracket Wldt, Mtg, Fan, Iron Gray	1	
▽	2	17363	(000000-003389) Fan Assy, Vacuum (See Breakdown) (Replaced by 398520)	2	
▲	3	223264	(000000-003389) Seal, Rbr, Clsd, 0.25th, 5.8d 03.3h	1	
▽	2	398520	(003390-004671) Fan Assy, Vacuum (See Breakdown)	2	
▲	3	223264	(003390-004671) Seal, Rbr, Clsd, 0.25th, 5.8d 03.3h	1	
▽	2	9004054	(004672-	Motor Kit, Vacuum, Replmt	1
▲	3	223264	(004672-	Seal, Rbr, Clsd, 0.25th, 5.8d 03.3h	1
▲	4	1041772	(004672-	Brush Kit, Motor	1
▲	5	1041766	(004672-	Cover, Cooling Fan	1
6	32483	(000000-	Washer, Flat, 0.25, Sae	6	
7	06943	(000000-	Screw, Hex, M6 X 1.00 X 20, 8.8	6	
8	40607	(000000-	Fitting, Brs, Str, Pm02/Bm03	1	
9	13292	(000000-	Hose, Vacuum, 0.16id X 05.0l	1	
10	386349	(000000-	Switch, Vacuum, Dual Level	1	
11	387499	(000000-	Hose, Vacuum	2	
12	22297	(000000-	Clamp, Hose, Wormdrive, 1.56-2.50d	2	
13	386323	(000000-	Gasket, Mtg, Fan	1	
14	13248	(000000-	Washer, 0.40b 1.12d .12, Stl, PI	6	
15	15675	(000000-	Screw, Hex, M08 X 1.25 X 16, Ss	6	

Fig. 23 - Scrub Head Lift Group

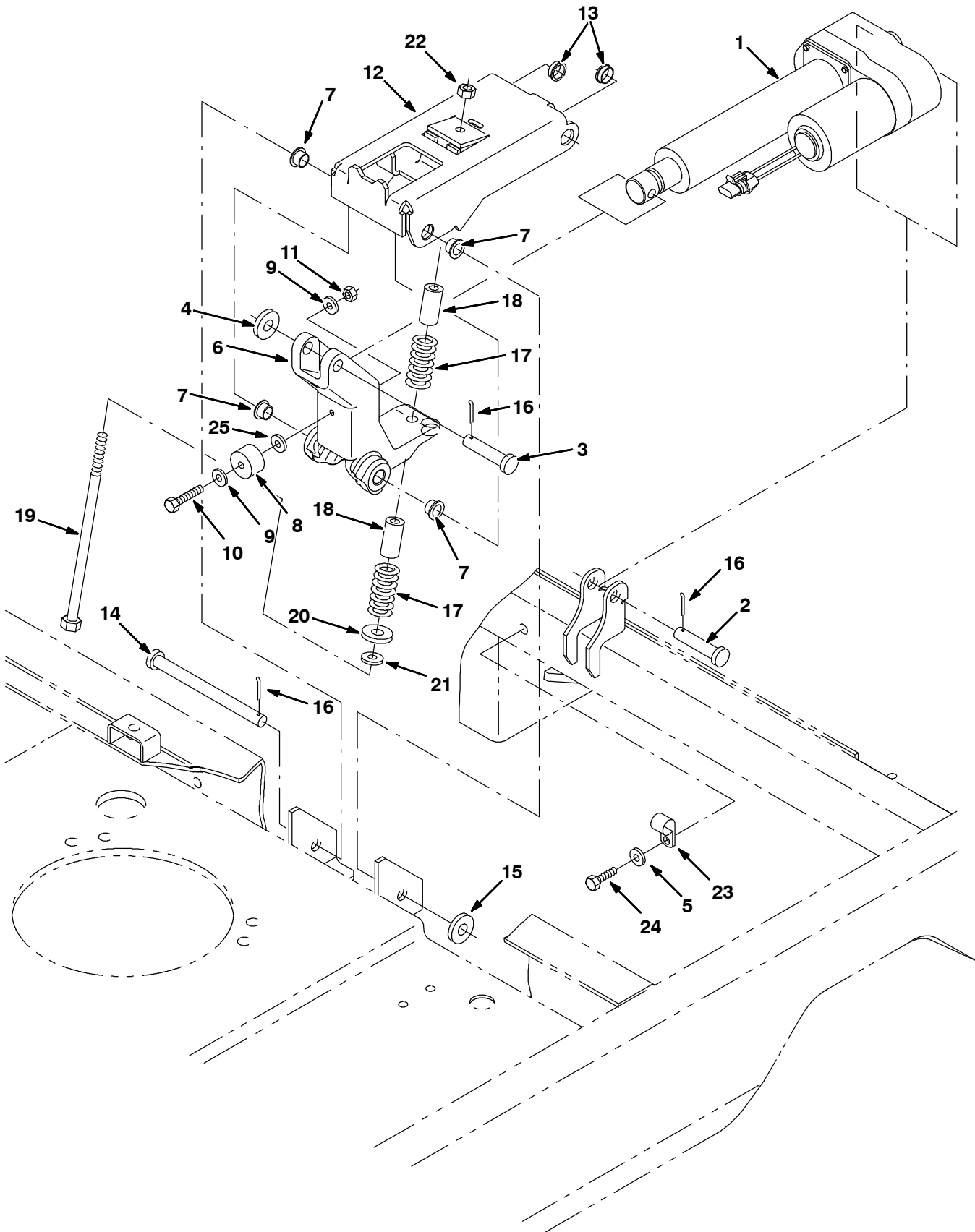


Fig. 23 - Scrub Head Lift Group

Ref.	Tennant Part No.	Machine Serial Number	Description	Qty.
1	386985	(000000-) Actuator, 36vdc, 7.0stroke, 700lb	1
2	43290	(000000-) Pin, Clevis, 0.50 D X 1.75l	1
3	06279	(000000-) Pin, Clevis, 0.50 D X 2.50l	1
4	32493	(000000-) Washer, Flt, .50 Std	1
5	01684	(000000-) Washer, Flt, .25 Ss	1
6	1056919	(000000-) Bellcrank, Lift, Head, Iron Gray	1
7	15648	(000000-) Bushing, Flng, 0.50b 0.59d 0.38l	4
8	386988	(000000-) Bumper, Rbr, 1.19d .72l	1
9	01683	(000000-) Washer, Flt, #10 Ss	2
10	24199	(000000-) Screw, Hex, M05 X 0.8 X 16, Ss	1
11	09739	(000000-) Nut, Hex, Lock, M05 X 0.8, NI, Ss	1
12	1056842	(000000-) Arm Wldt, Lift, Scb Head, Gray [7300]	1
13	04843	(000000-) Bushing, Flng, 0.63b 0.72d 0.25l	2
14	51225	(000000-) Pin, Clevis, 0.50 D X 5.50l	1
15	41619	(000000-) Washer, Flt, .50 Ss	1
16	08182	(000000-) Pin, Cotter, .125 X 1.00	3
17	386049	(000000-) Spring, Cmpr, 1.5 Od .75id X 2.5l	2
18	386961	(000000-) Sleeve, .38b X .75d X 1.5l, Bronze	2
19	14455	(000000-) Screw, Hex, M08 X 1.25 X 160, 8.8	1
20	41619	(000000-) Washer, Flt, .50 Ss	1
21	01685	(000000-) Washer, Flt, .31 Ss	1
22	08713	(000000-) Nut, Hex, Lock, M08 X 1.25,NI, Ss	1
23	26395-1	(000000-) Clamp, Cable, Stl, 0.56d X 0.38w, 1h	1
24	12459	(000000-) Screw, Hex, M06 X 1.0 X 20, Fmg	1
25	13248	(000000-) Washer, Flat, 0.40b 1.12d .12, Stl, PI	1

Fig. 24 - Max Pro 1000 (Disc-Brush) Scrub Head Frame Group

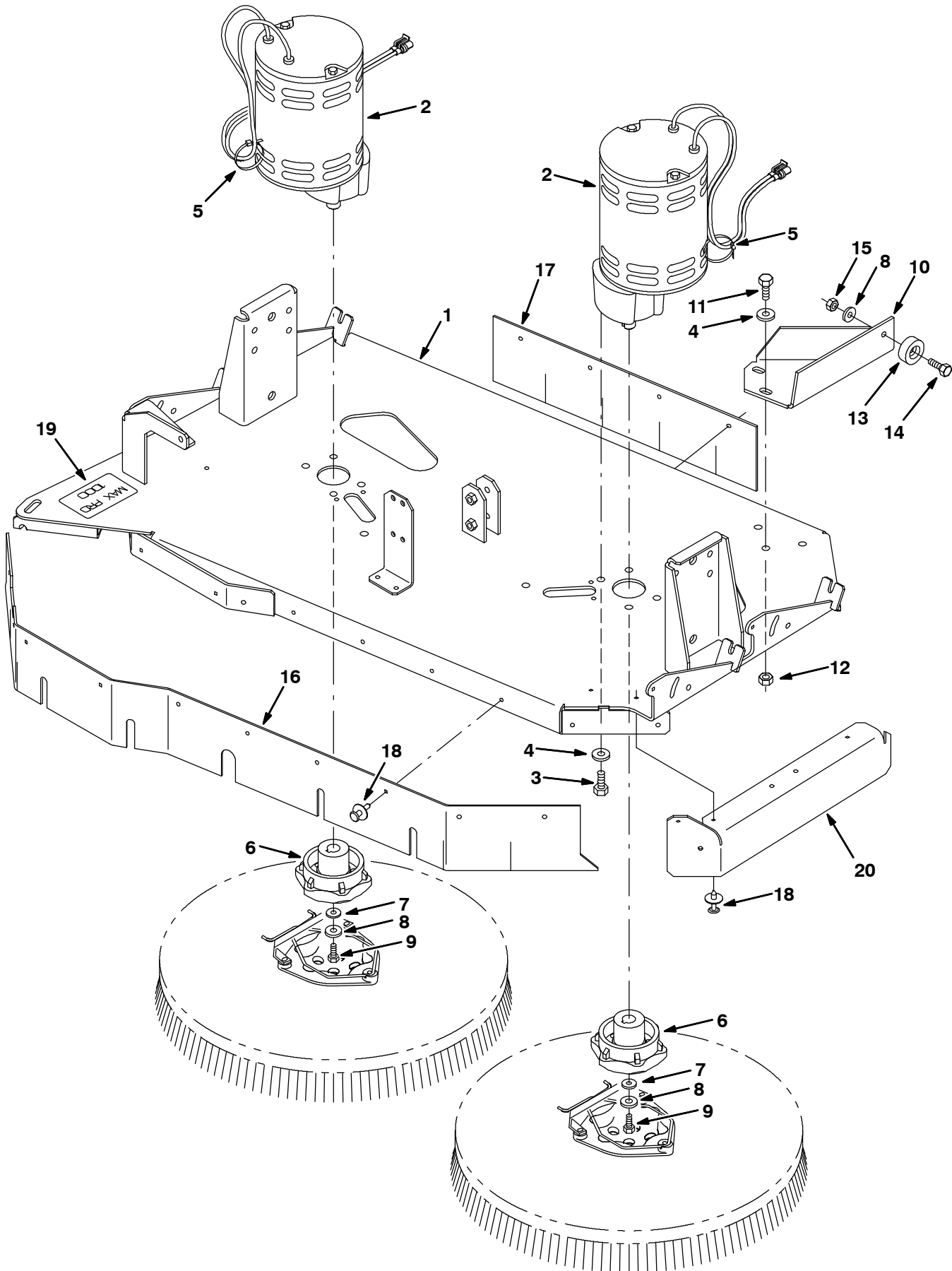


Fig. 24 - Max Pro 1000 (Disc-Brush) Scrub Head Frame Group

Ref.	Tennant Part No.	Machine Serial Number	Description	Qty.
1	1056862	(000000-) Frame Wldt, Scb Head, 2 Brush, Ele, Gray	1
2	386687	(000000-) Motor, Ele, 36vdc 1.00hp 0300rpm, Gear (Standard) (See Breakdown)	2
2	386679	(000000-003244) Motor, Gear, Ele, 1.5hp, 36vdc, 300rpm (Replaced by 387585AM) (See Breakdowns)	2
2	387585	(003245-) Motor, Ele, 36vdc 1.50hp 0300rpm, Gear (Heavy Duty) (See Breakdown)	2
3	34195	(000000-) Screw, Hex, .38-16 X 1.00, NI	8
4	01686	(000000-) Washer, Flt, .38 Ss	11
5	49263	(000000-) Tie, Cable, Nyl, 11.4l .19w 3.0 Max D	2
6	377364	(000000-) Hub, Drive, Brush, Disk, 0.75B 6T	2
7	41186	(000000-) Washer, Belleville, .31	2
8	01685	(000000-) Washer, Flt, .31 Ss	3
9	32124	(000000-) Screw, Hex, .31-18 X 1.00, Ss, NI	2
10	1056841	(000000-) Bracket, Stop, Frame, Iron Gray	1
11	09028	(000000-) Screw, Hex, M10 X 1.5 X 25, Ss	3
12	08714	(000000-) Nut, Hex, Lock, M10 X 1.5, NI, Ss	3
13	15023	(000000-) Bumper, Pye	1
14	09010	(000000-) Screw, Hex, M08 X 1.25 X 25, Ss	1
15	08713	(000000-) Nut, Hex, Lock, M08 X 1.25,NI, Ss	1
16	386387	(000000-) Skirt, Front, Scrub Head, 2-Brush, Ele	1
17	386388	(000000-) Skirt, Rear, Scrub Head, 2-Brush, Ele	1
18	72968	(000000-) Rivet, Plstc, .250 X 0.898	24
19	365156	(000000-) Label Set, Info/Hzrd, [Maxpro]	1
20	387294	(000000-) Skirt, Side, Scrub Head, 2-Brush, Ele	2

Fig. 25 - Max Pro 1000 (Disc-Brush) Scrub Head Linkage Group

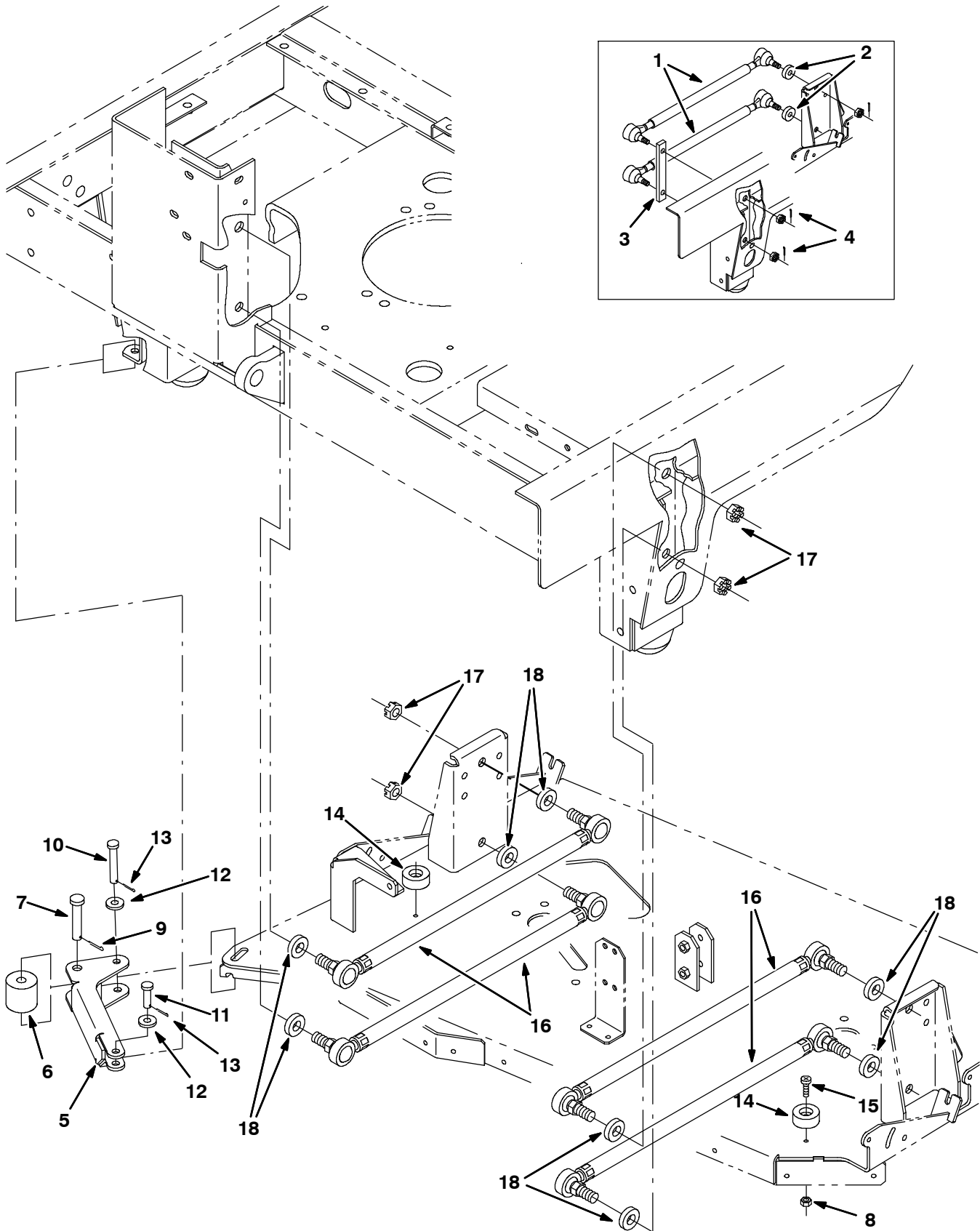


Fig. 25 - Max Pro 1000 (Disc-Brush) Scrub Head Linkage Group

Ref.	Tennant Part No.	Machine Serial Number	Description	Qty.
1	14523	(000000-004780)	Link, Lift, Squeegee (Replaced by 9005752)	4
2	14524	(000000-004780)	Spacer, Washer	4
3	24254	(000000-004780)	Link, .38 1.0w 07.5l 2/1.5h	2
4	08346	(000000-004780)	Pin, Cotter, .125 X 0.75	8
5	1001099	(000000-006999)	Guard, Kick In, Scb Head	1
5	1056390	(007000-	Guard, Kick In, Scb Head, Iron Gray	1
6	72946	(000000-	Roller	1
7	06279	(000000-	Pin, Clevis, 0.50 D X 2.50l	1
8	08712	(000000-	Nut, Hex, Lock, M06 X 1.0, NI, Ss	2
9	08182	(000000-	Pin, Cotter, .125 X 1.00	1
10	365180	(000000-	Pin, Clevis, 0.38 D X 2.50l	1
11	29557	(000000-	Pin, Clevis, 0.37 D X 1.31l	1
12	01686	(000000-	Washer, Flt, .38 Ss	2
13	39005	(000000-	Pin, Cotter, .094 X 0.75	2
14	364614	(000000-	Bumper, Neo, 1.5d .63t .31h	2
15	08716	(000000-	Screw, Hex, M06 X 1.0 X 20, Ss	2
16	1050195	(004781-	Link Assy, Rod-End, .63-18	4
17	40814	(004781-	Nut, Hex, Lock, .62-18, NI, Thin	8
18	1057066	(004781-	Tube, 0.69id 1.25od 00.4l, Rod-End, Gray	8

STANDARD PARTS

Fig. 26 - Max Pro 1000 (Disc-Brush) Solution Valve Group

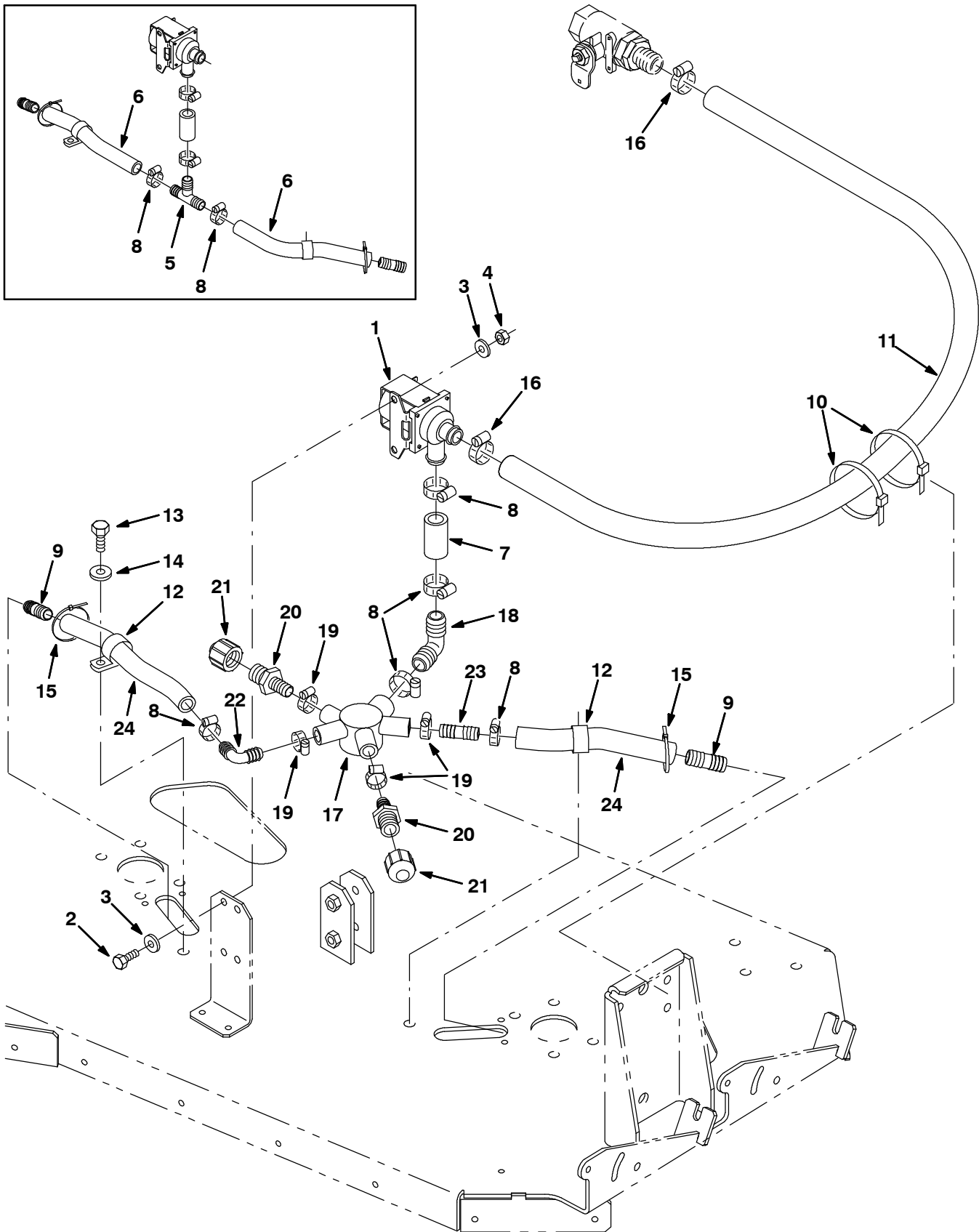


Fig. 26 - Max Pro 1000 (Disc-Brush) Solution Valve Group

Ref.	Tennant Part No.	Machine Serial Number	Description	Qty.
1	84028	(000000-) Valve, Water	1
2	15678	(000000-) Screw, Hex, M06 X 1.0 X 16, Ss	2
3	32490	(000000-) Washer, Flt, .25 Std	4
4	08712	(000000-) Nut, Hex, Lock, M06 X 1.0, NI, Ss	2
5	16356	(000000-003817) Fitting, Plstc, Tee, Bm10/Bm10/Bm10	1
6	223699	(000000-003817) Hose, Pvc, Brd, 0.62id 0.91od 10.30l	1
7	16914	(000000-) Hose, Pvc, Brd, 0.75id 1.03od 02.00l	1
8	63810	(000000-) Clamp, Hose, Wormdrive, 0.56-1.06d, .56w	6
9	365164	(000000-) Fitting, Plstc, Str, Bm10/Bm10	2
10	44961	(000000-) Tie, Cable, Nyl, 14.5l .30w 4.0 Max D	2
11	73474	(000000-) Hose, Pvc, Brd, 0.75id 1.03od 44.50l	1
12	40678-1	(000000-) Clamp, Cable, Stl, 0.88d X 0.62w, 1h	2
13	12273	(000000-) Screw, Hex, M08 X 1.25 X 20, Ss, NI	2
14	01685	(000000-) Washer, Flt, .31 Ss	2
15	49266	(000000-) Tie, Cable, Nyl, 07.3l .19w 1.8 Max D	2
16	11399	(000000-) Clamp, Hose, Wormdrive, 0.81-1.50d	2
17	1012528	(003818-) Manifold, Soltn, Cntrl	1
18	40566	(003818-) Fitting, Plstc, E90, Bm12/Bm12	1
19	54333	(003818-) Clamp, Hose, Wormdrive, 0.31-0.88d, .31w	4
20	79273-4	(003818-) Fitting, Plstc, Str, Bm08/Pm08	2
21	1015558	(003818-) Fitting, Plstc, Cap, Pf08	2
22	63987-1	(003818-) Fitting, Plstc, E90, Bm08/Bm08	1
23	364631	(003818-) Fitting, Plstc, Str, Bm08/Bm08	1
24	1011521	(003818-) Hose, Afmkt, Pvc, Brd 0.50id 2ft	1

Fig. 27 - Max Pro 1000 (Disc-Brush) Solution Valve Group (FaST/ec-H2O)

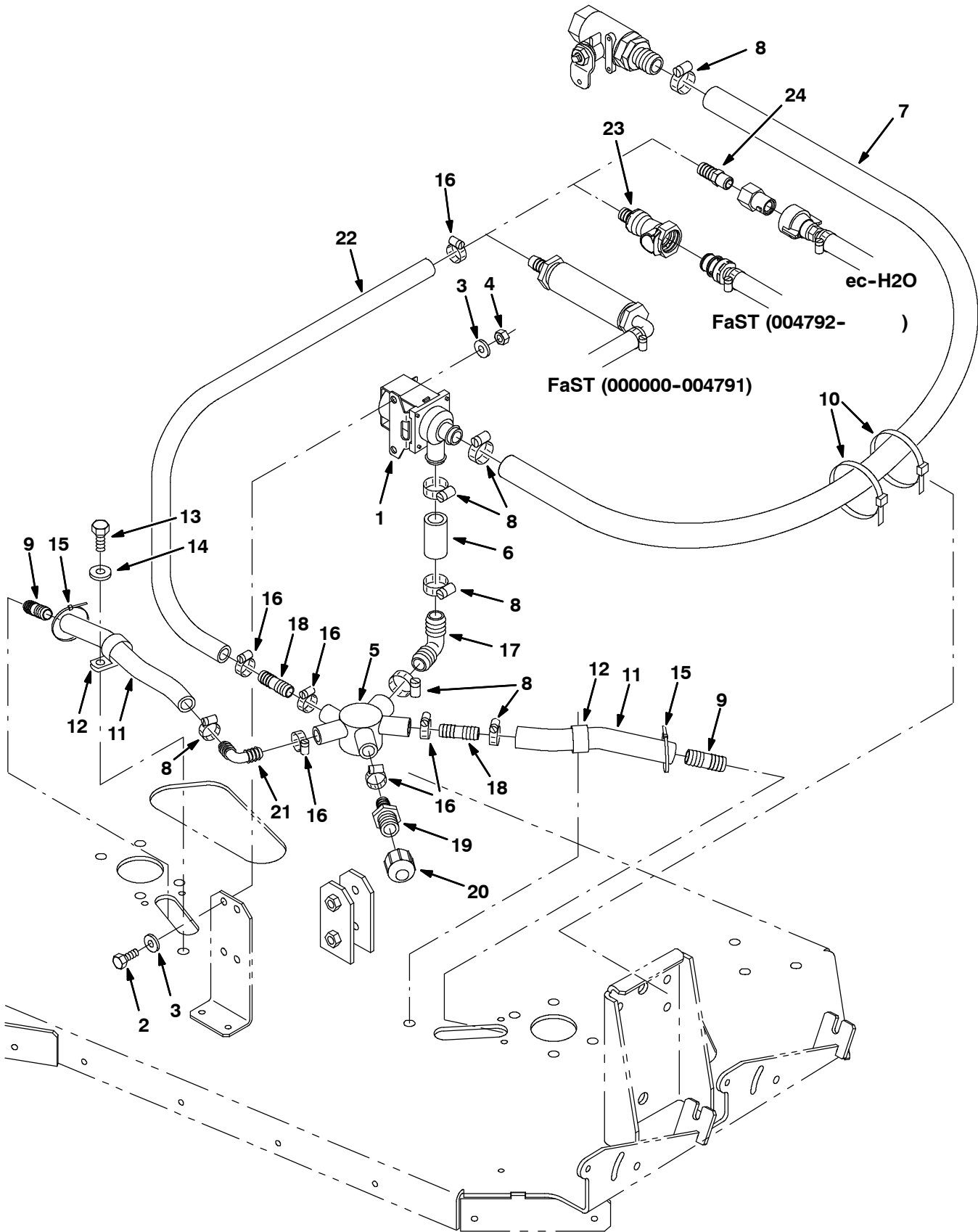


Fig. 27 - Max Pro 1000 (Disc-Brush) Solution Valve Group (FaST/ec-H2O)

Ref.	Tennant Part No.	Machine Serial Number	Description	Qty.
1	84028	(000000-) Valve, Water	1
2	15678	(000000-) Screw, Hex, M06 X 1.0 X 16, Ss	2
3	32490	(000000-) Washer, Flt, .25 Std	4
4	08712	(000000-) Nut, Hex, Lock, M06 X 1.0, NI, Ss	2
5	1012528	(000000-) Manifold, Soltn, Cntrl	1
6	16914	(000000-) Hose, Pvc, Brd, 0.75id 1.03od 02.00l	1
7	1015045	(000000-) Hose, Afmkt, Pvc, Brd, 0.75id 8 Ft	1
8	63810	(000000-) Clamp, Hose, Wormdrive, 0.56-1.06d, .56w	10
9	365164	(000000-) Fitting, Plstc, Str, Bm10/Bm10	2
10	44961	(000000-) Tie, Cable, Nyl, 14.5l .30w 4.0 Max D	2
11	73474	(000000-) Hose, Pvc, Brd, 0.75id 1.03od 44.50l	2
12	40678-1	(000000-) Clamp, Cable, Stl, 0.88d X 0.62w, 1h	2
13	12273	(000000-) Screw, Hex, M08 X 1.25 X 20, Ss, NI	2
14	01685	(000000-) Washer, Flt, .31 Ss	2
15	49266	(000000-) Tie, Cable, Nyl, 07.3l .19w 1.8 Max D	2
16	54333	(000000-) Clamp, Hose, Wormdrive, 0.31-0.88d	6
17	40566	(000000-) Fitting, Plstc, E90, Bm12/Bm12	1
18	364631	(000000-) Fitting, Plstc, Str, Bm08/Bm08	2
19	79273-4	(000000-) Fitting, Plstc, Str, Bm08/Pm08	1
20	1015558	(000000-) Fitting, Plstc, Cap, Pf08	1
21	63987-1	(000000-) Fitting, Plstc, E90, Bm08/Bm08	1
22	1011403	(000000-) Hose, Afmkt, Pvc, Brd 0.50id 1ft	1
23	48610	(004792-) Fitting, Plstc, Str, Bm08/Pm04 (FaST)	1
24	1017413	(000000-) Housing, Cplg, Qf / Pm08 (ec-H2O)	1

STANDARD PARTS

Fig. 28 - Max Pro 1000 (Disc-Brush) Edge Scrub Group

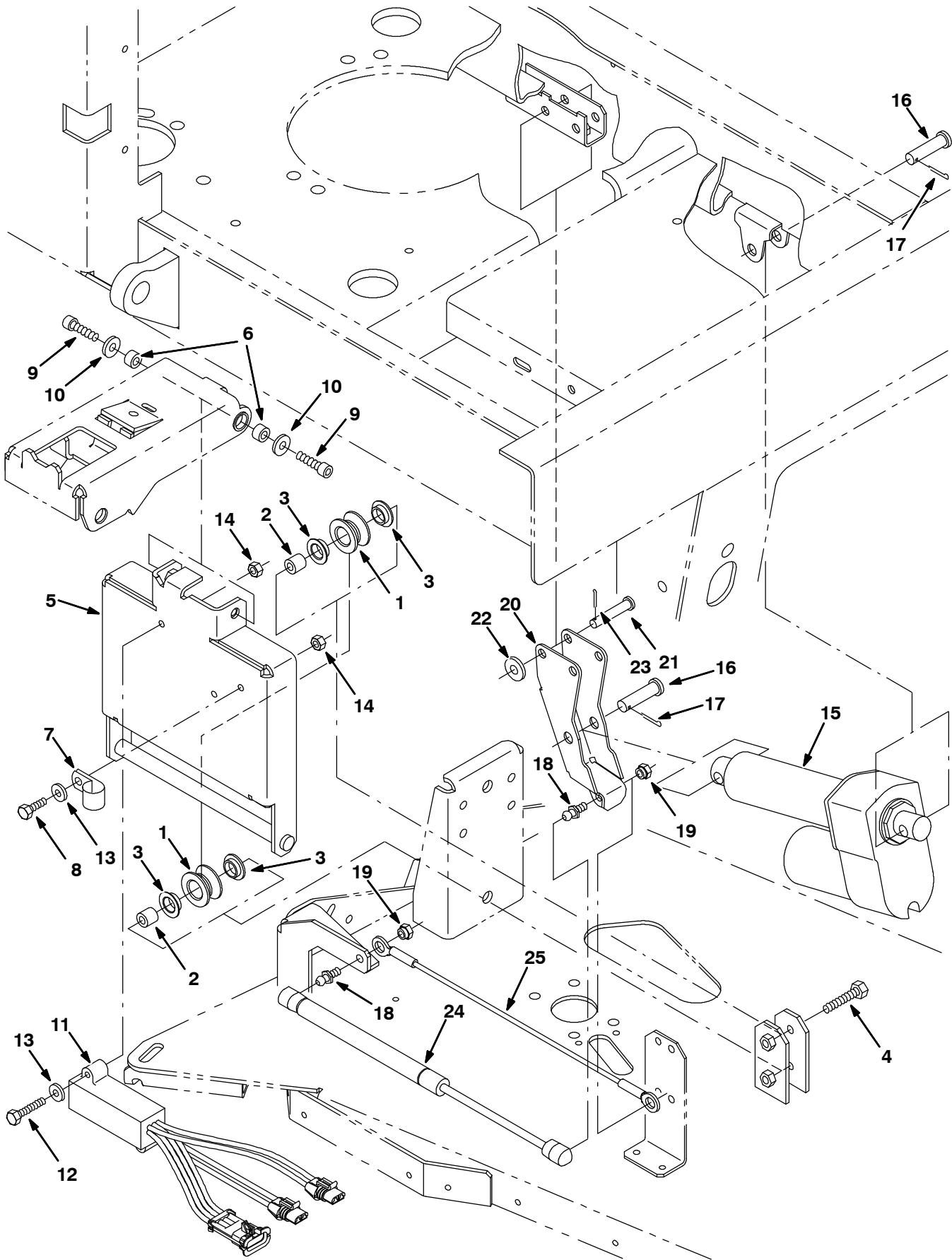


Fig. 28 - Max Pro 1000 (Disc-Brush) Edge Scrub Group

Ref.	Tennant Part No.	Machine Serial Number	Description	Qty.
1	363120	(000000-) Roller	2
2	222277	(000000-) Sleeve	2
3	04843	(000000-) Bushing, Flng, 0.63b 0.72d 0.25l	4
4	222505	(000000-) Screw, Hex, M08 X 1.25 X 45, Ss	2
5	1056844	(000000-) Rail Wldt, Lift, Disk Head, Iron Gray	1
6	222556	(000000-) Sleeve	2
7	67767	(000000-) Clamp, Cable, Stl, 0.69d X 0.62w, 1h	1
8	08716	(000000-) Screw, Hex, M06 X 1.25 X 25, Ss, NI	1
9	39308	(000000-) Screw, Hex, M08 X 1.00 X 20, Ss	2
10	01685	(000000-) Washer, Flt, .31 Ss	2
11	363236	(000000-) Shunt, 2 Std Motor, Blk [SCB 515] (For Standard Motor)	1
11	363237	(000000-) Shunt, 2 Hd Motor, Red [SCB 515] (For Heavy Duty Motor)	1
12	33930	(000000-) Screw, Hex, M06 X 1.0 X 40, Ss	2
13	01684	(000000-) Washer, Flt, .25 Ss	3
14	08712	(000000-) Nut, Hex, Lock, M06 X 1.0, NI, Ss	3
15	363152	(000000-) Actuator, 36vdc, 02.7stroke 500lb	1
16	51534	(000000-) Pin, Clevis, 0.50D X 2.00L	2
17	08182	(000000-) Pin, Cotter, .125 X 1.00	2
18	58494	(000000-) Stud, Ball, .39d .31-16, Gasspring	2
19	14725	(000000-) Nut, Retainer, .31-18	2
20	1056845	(000000-) Arm Wldt, Pivot, Side, Gray [7300/8300]	1
21	29584	(000000-) Pin, Clevis, 0.37 D X 2.00l	1
22	01686	(000000-) Washer, Flt, .38 Ss	1
23	39005	(000000-) Pin, Cotter, .094 X 0.75	1
24	364858	(000000-) Gasspring, 56lb, 6.3strk	1
25	364404	(000000-) Cable, .13d, 15.5l, .50eye /.50eye	1

Fig. 29 - Max Pro 1000 (Disc-Brush) Right Side Squeegee Group

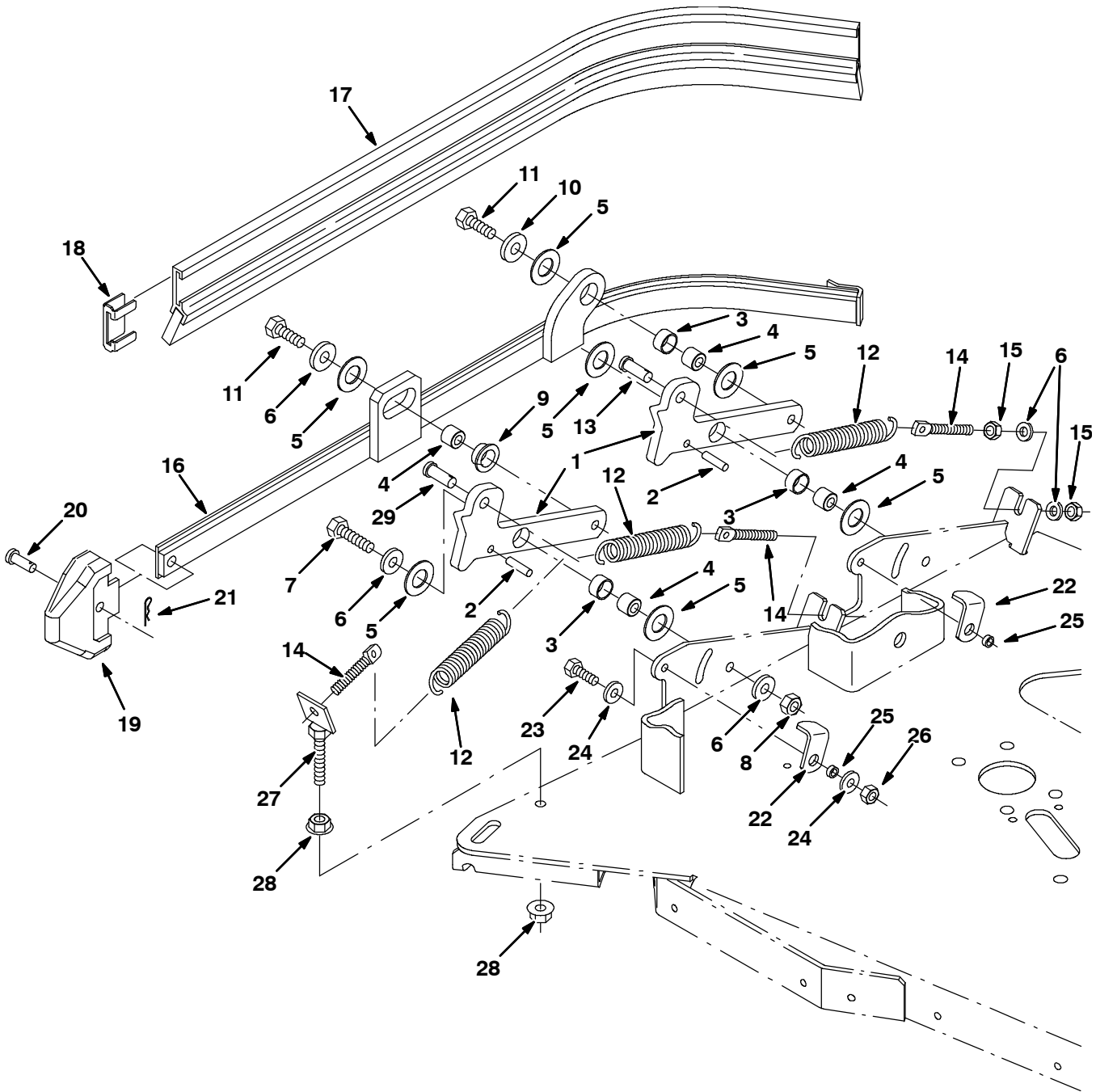


Fig. 29 - Max Pro 1000 (Disc-Brush) Right Side Squeegee Group

Ref.	Tennant Part No.	Machine Serial Number	Description	Qty.
1	1056863	(000000-) Arm, Mtg, Side Sqge Frame, Ele, Gray	2
2	17404	(000000-) Pin, Roll, .250 D X 0.75l, .250/.256	2
3	71607	(000000-) Bushing, Sleeve, 0.63b 0.72d 0.38l	3
4	386356	(000000-) Sleeve, P/M, 0.625d 0.335b 0.52l Ss	4
5	64425	(000000-) Washer, Thrust, 0.61b 1.25d .06, Fgl	7
6	01685	(000000-) Washer, Flt, .31 Ss	7
7	09023	(000000-) Screw, Hex, M08 X 1.25 X 35, Ss	2
8	08713	(000000-) Nut, Hex, Lock, M08 X 1.25, NI, Ss	2
9	25735	(000000-) Bushing, Flng, 0.63b 0.75d 0.38l	2
10	01686	(000000-) Washer, Flt, .38 Ss	1
11	12333	(000000-) Screw, Hex, M08 X 1.25 X 25, Ss, NI	2
12	87816	(000000-) Spring, Extn, 0.75od X 0.09wir, 2.5l	3
13	76653	(000000-) Pin, Clevis, 0.37 D X 1.00l	1
14	386088	(000000-) Bolt, Eye, M8 X 1.25, 2.75l	3
15	07786	(000000-) Nut, Hex, Std, M08 X 1.25, Ss	6
16	386263	(000000-) Frame Wldt, Sqge, Side, Rh	1
17	386260	(000000-) Squeegee, Side	1
18	86759	(000000-) Retainer, Sqge	1
19	386986	(000000-) Guide, Point, Side Sqge	1
20	386987	(000000-) Pin, Clevis, 0.31d 0.88l	1
21	86866	(000000-) Pin, Hair Cotter, 0.38 D .072 Wir	1
22	386391	(000000-) Latch, Double Scrub, Side Sqge	2
23	08716	(000000-) Screw, Hex, M06 X 1.0 X 20, Ss	2
24	01684	(000000-) Washer, Flt, .25 Ss	4
25	80491	(000000-) Sleeve	2
26	08712	(000000-) Nut, Hex, Lock, M06 X 1.0, NI, Ss	2
27	1007632	(000000-) Bracket Wldt, Mtg, Spring	1
28	27980	(000000-) Nut, Hex, Flng, .38-16	2
29	29558	(000000-) Pin, Clevis, 0.37 D X 1.50l	1

Fig. 30 - Max Pro 1000 (Disc-Brush) Left Side Squeegee Group

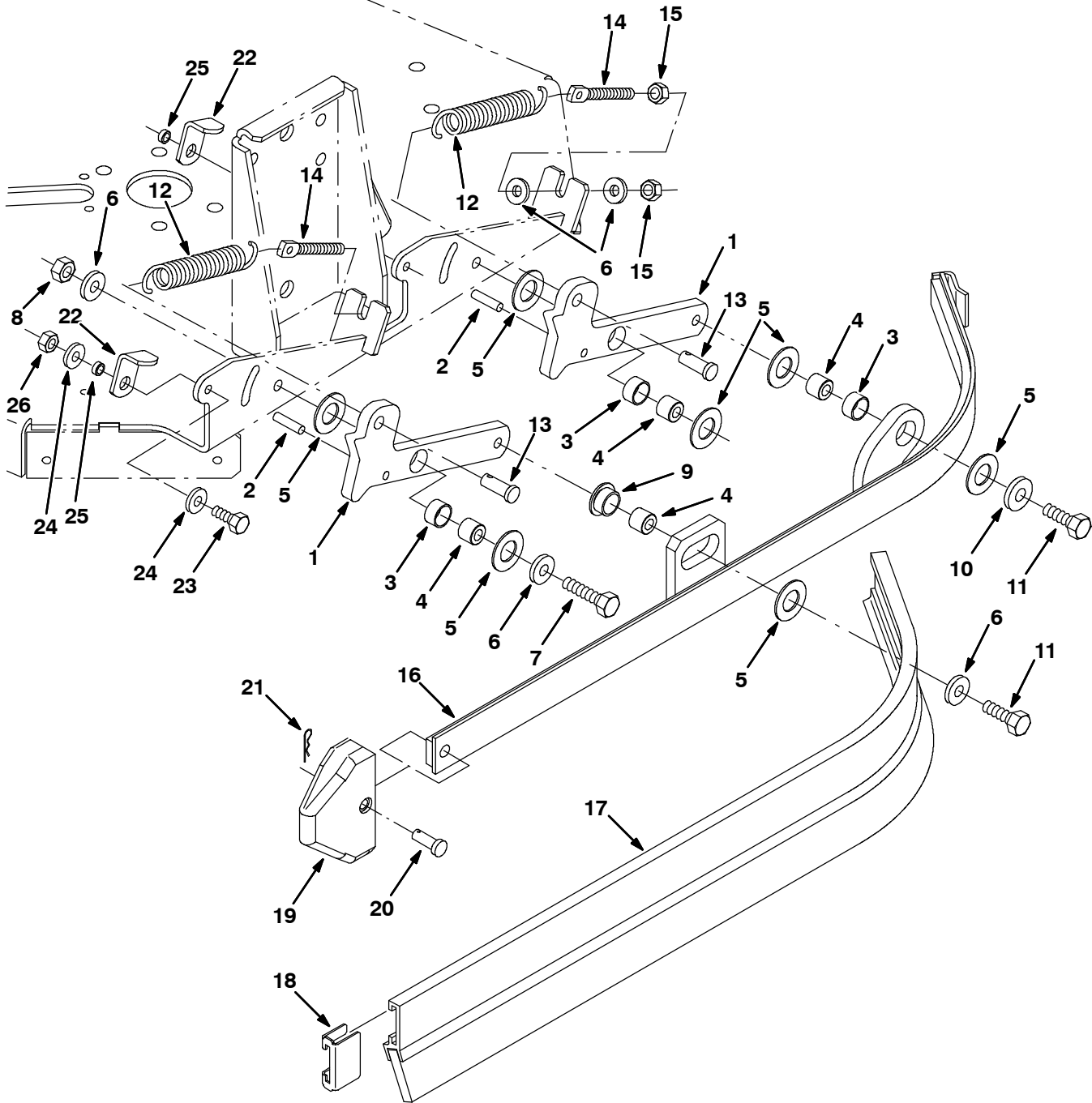


Fig. 30 - Max Pro 1000 (Disc-Brush) Left Side Squeegee Group

Ref.	Tennant Part No.	Machine Serial Number	Description	Qty.
1	1056863	(000000-) Arm, Mtg, Side Sqge Frame, Ele, Gray	2
2	17404	(000000-) Pin, Roll, .250 D X 0.75l, .250/.256	2
3	71607	(000000-) Bushing, Sleeve, 0.63b 0.72d 0.38l	3
4	386356	(000000-) Sleeve, P/M, 0.625d 0.335b 0.52l Ss	4
5	64425	(000000-) Washer, Thrust, 0.61b 1.25d .06, Fgl	7
6	01685	(000000-) Washer, Flt, .31 Ss	7
7	09023	(000000-) Screw, Hex, M08 X 1.25 X 35, Ss	2
8	08713	(000000-) Nut, Hex, Lock, M08 X 1.25, NI, Ss	2
9	25735	(000000-) Bushing, Flng, 0.63b 0.75d 0.38l	1
10	01686	(000000-) Washer, Flt, .38 Ss	2
11	12333	(000000-) Screw, Hex, M08 X 1.25 X 25, Ss, NI	2
12	87816	(000000-) Spring, Extn, 0.75od X 0.09wir, 2.5l	2
13	76653	(000000-) Pin, Clevis, 0.37 D X 1.00l	2
14	386088	(000000-) Bolt, Eye, M8 X 1.25, 2.75l	2
15	07786	(000000-) Nut, Hex, Std, M08 X 1.25, Ss	4
16	386262	(000000-) Frame Wldt, Sqge, Side, Lh	1
17	386260	(000000-) Squeegee, Side	1
18	86759	(000000-) Retainer, Sqge	1
19	386986	(000000-) Guide, Point, Side Sqge	1
20	386987	(000000-) Pin, Clevis, 0.31d 0.88l	1
21	86866	(000000-) Pin, Hair Cotter, 0.38 D .072 Wir	1
22	386391	(000000-) Latch, Double Scrub, Side Sqge	2
23	08716	(000000-) Screw, Hex, M06 X 1.0 X 20, Ss	2
24	01684	(000000-) Washer, Flt, .25 Ss	4
25	80491	(000000-) Sleeve	2
26	08712	(000000-) Nut, Hex, Lock, M06 X 1.0, NI, Ss	2

Fig. 31 - Squeegee Linkage Group, Rear

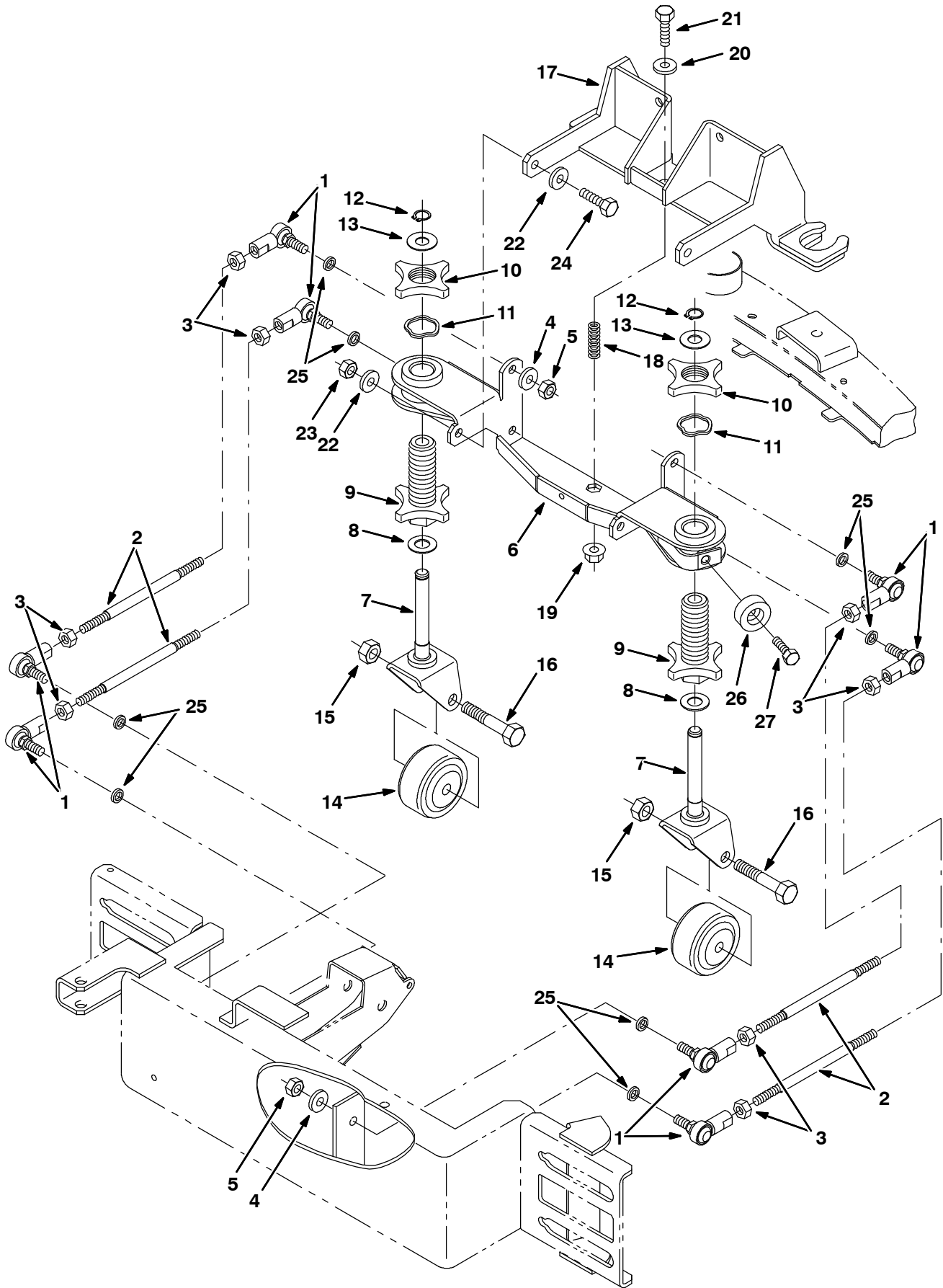


Fig. 31 - Squeegee Linkage Group, Rear

Ref.	Tennant Part No.	Machine Serial Number	Description	Qty.	
1	05686	(000000-) Rod-End, M10 X 1.5rh Fem M10 X 1.5stud	8	
2	14555	(000000-) Rod, Thrd, 2 End M10x1.5 07.4	4	
3	32716	(000000-) Nut, Hex, Jam, M10 X 1.5, Ss	8	
4	01686	(000000-) Washer, Flt, .38 Ss	8	
5	08714	(000000-) Nut, Hex, Lock, M10 X 1.5, NI, Ss	8	
6	386256	(000000-006999) Channel Wldt	1	
6	1056468	(007000-) Channel Wldt, Iron Gray	1	
▽	78979	(000000-) Caster Kit, Sqge, Replmt	2	
▲	7	84593	(000000-) Pivot Wldt, Sqge Caster	1
▲	8	07450	(000000-) Bearing, Thrust, 0.66b 1.25d 0.06w	1
▲	9	77228	(000000-) Knob, Adj	1
▲	10	77227	(000000-) Knob	1
▲	11	79217	(000000-) Washer	1
▲	12	01516	(000000-) Ring, Retaining, Ext, 0.59d, Basic	1
▲	13	77272	(000000-) Washer, 0.60b 1.31d .10, Ss	1
▲	14	20833	(000000-) Wheel, 3.0d 1.38w 0.50b	1
▲	15	02931	(000000-) Nut, Hex, Lock, .50-13, NI, Ss	1
▲	16	81952	(000000-) Screw, Hex, .50-13 X 3.00, Ss	1
17	386252	(000000-006999) Bracket Wldt, Pivot	1	
17	1056467	(007000-) Channel Wldt, Iron Gray	1	
18	16816	(000000-) Spring, Die, 1.00od 0.50id 2.00l	1	
19	07792	(000000-) Nut, Hex, Flng, M10 X 1.5	1	
20	01686	(000000-) Washer, Flt, .38 Ss	1	
21	04417	(000000-) Screw, Hex, M10 X 1.5 X 60, Ss	1	
22	01686	(000000-) Washer, Flt, .38 Ss	4	
23	08714	(000000-) Nut, Hex, Lock, M10 X 1.5, NI, Ss	2	
24	12317	(000000-) Screw, Hex, M10 X 1.5 X 30, Ss	2	
25	390880	(000000-) Spacer, .41b .63d .13l, Ss 430pm	8	
26	364614	(000000-) Bumper, Neo, 1.5d .63t .31h	1	
27	09010	(000000-) Screw, Hex, M08 X 1.25 X 25, Ss	1	

Fig. 32 - Squeegee Lift Group, Rear

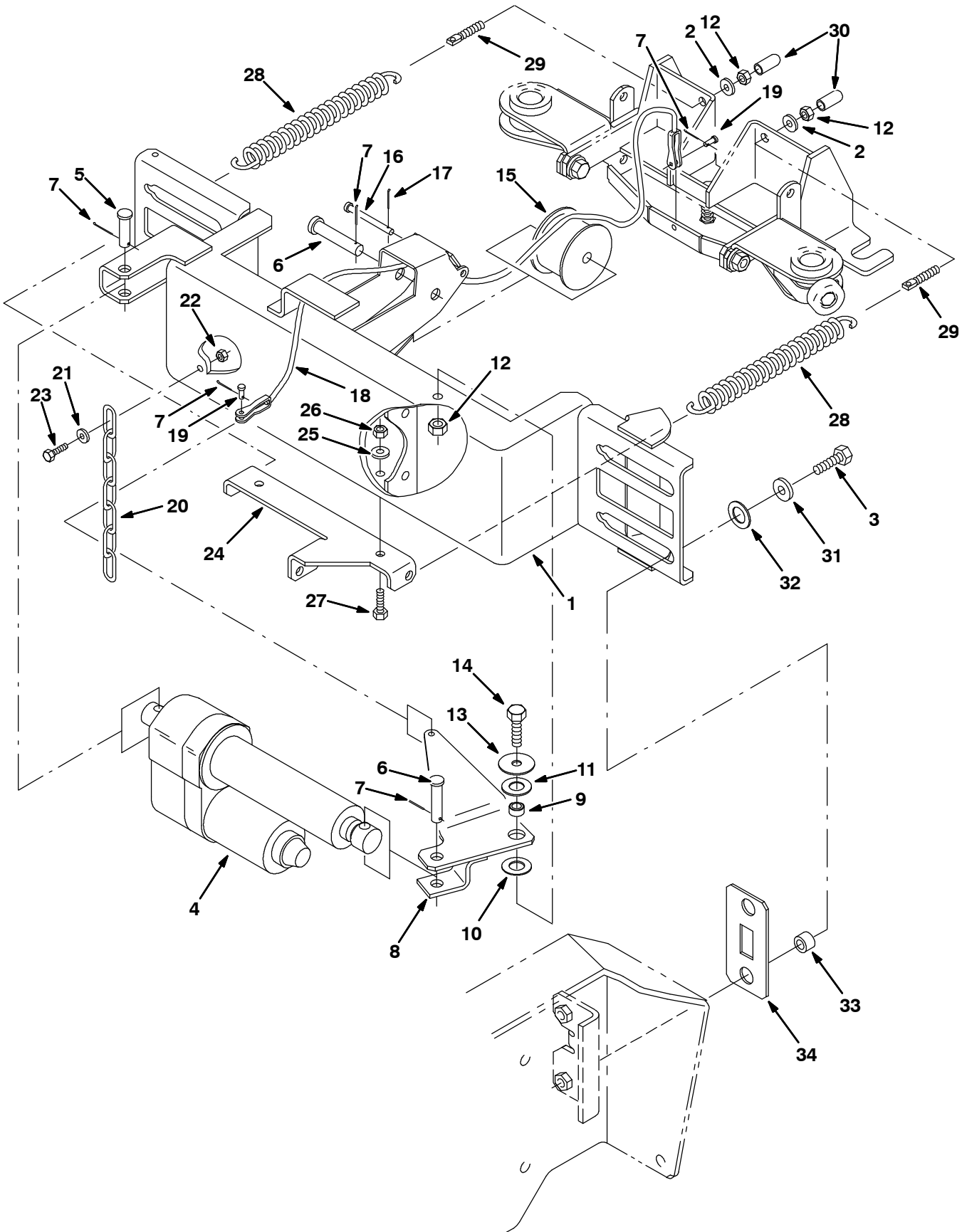


Fig. 32 - Squeegee Lift Group, Rear

Ref.	Tennant Part No.	Machine Serial Number	Description	Qty.
1	387426	(000000-006999)	Support Wldt	1
1	1056389	(007000-	Support Wldt, Iron Gray	1
2	01686	(000000-	Washer, Flt, .38 Ss	2
3	12317	(000000-	Screw, Hex, M10 X 1.5 X 30, Ss	4
4	363151	(000000-	Actuator, 36vdc, 02.1stroke 500lb	1
5	51534	(000000-	Pin, Clevis, 0.50 D X 2.00l	1
6	06279	(000000-	Pin, Clevis, 0.50 D X 2.50l	2
7	39005	(000000-	Pin, Cotter, .094 X 0.75	5
8	386279	(000000-	Arm Wldt	1
9	71658	(000000-	Sleeve	1
10	64425	(000000-	Washer, Thrust, 0.61b 1.25d .06, Fgl	1
11	07450	(000000-	Bearing, Thrust, 0.66b 1.25d 0.06w	1
12	08714	(000000-	Nut, Hex, Lock, M10 X 1.5, NI, Ss	3
13	33948	(000000-	Washer, Flat	1
14	04417	(000000-	Screw, Hex, M10 X 1.5 X 60, Ss	1
15	223054	(000000-	Drum, Cable, Lift	1
16	04733-10	(000000-	Pin, Clevis, 0.25 D X 2.44l	1
17	08178	(000000-	Pin, Cotter, .062 X 0.75	1
18	71101	(000000-	Cable, .12d, 13.3l, .2clevis/.2clevis	1
19	77488	(000000-	Pin, Clevis, 0.19 D X 0.63l	2
20	43500	(000000-	Chain, Coil, Str, #210, 09.0l 07 Link	1
21	01684	(000000-	Washer, Flt, .25 Ss	1
22	08712	(000000-	Nut, Hex, Lock, M06 X 1.0, NI, Ss	1
23	08716	(000000-	Screw, Hex, M06 X 1.0 X 20, Ss	1
24	387432	(000000-006999)	Channel, Spring	1
24	1056482	(007000-	Bracket, Spring, Iron Gray	1
25	01685	(000000-	Washer, Flt, .31 Ss	2
26	08713	(000000-	Nut, Hex, Lock, M08 X 1.25,NI, Ss	2
27	09010	(000000-	Screw, Hex, M08 X 1.25 X 25, Ss	2
28	71100	(000000-	Spring, Extn, 1.69od X 0.20wir, 9.5l	2
29	386847	(000000-	Bolt, Eye, M10x1.5 X 2.0 X .28 Eye	2
30	20806	(000000-	Cap, Neoprene Black	2
31	32492	(000000-	Washer, Flat, .38 Std	4
32	53782	(000000-	Bearing, Thrust, 0.75b 1.25d 0.06w	4
33	387429	(000000-	Sleeve, P/M, 0.745d 0.438b 0.50l 430ss	4
34	387430	(000000-	Plate, Slide	2

STANDARD PARTS

Fig. 33 - Max Pro 1000 Rear Squeegee Group (000000-006999)

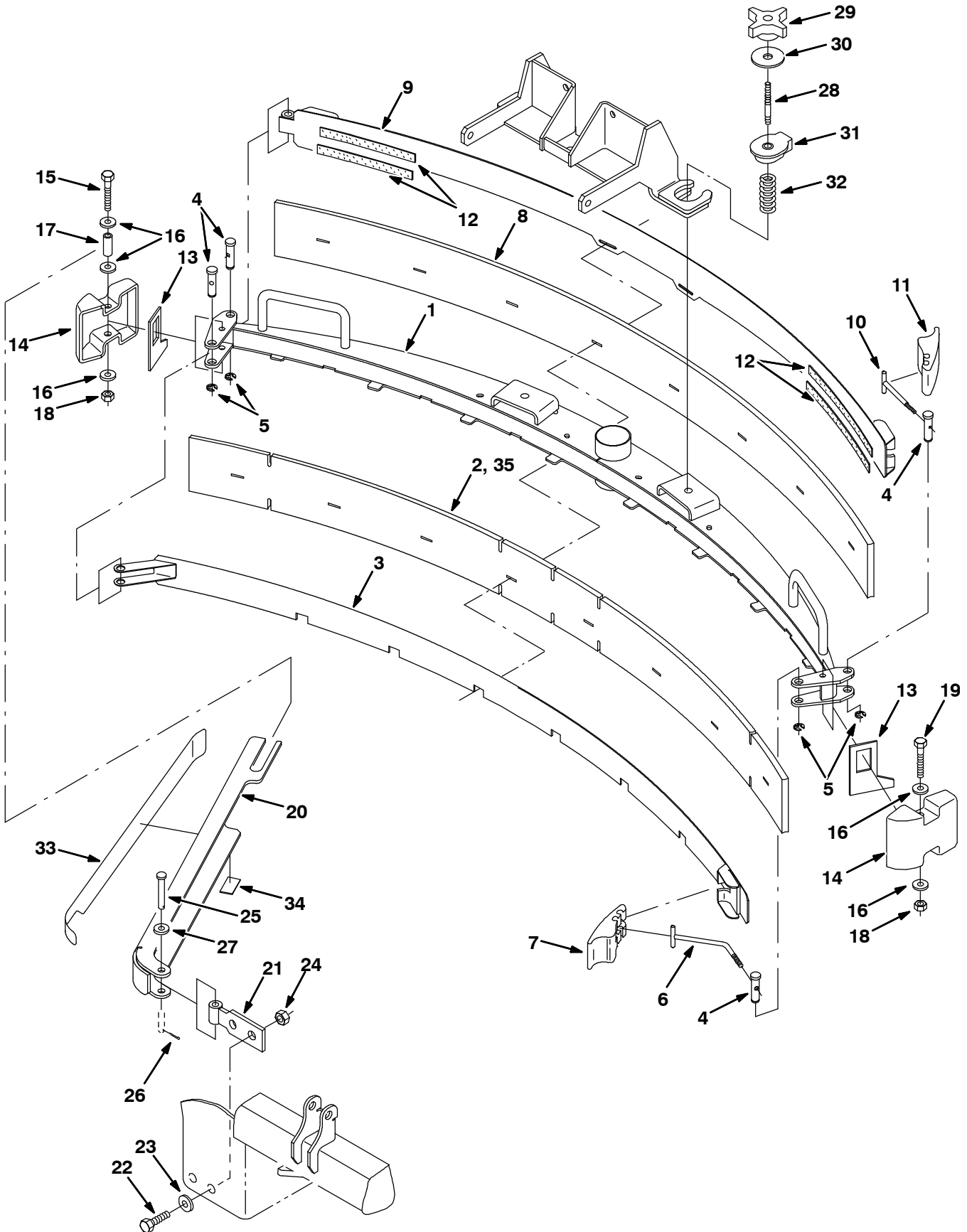


Fig. 33 - Max Pro 1000 Rear Squeegee Group (000000-006999)

Ref.	Tennant Part No.	Machine Serial Number	Description	Qty.
▽	386860	(000000-006999)	Kit, Cl, Squeegee, Rear (Max Pro 1000)	1
▲	1 1056856	(000000-006999)	Frame Wldt, Sqge, Iron Gray	1
▲	2 386283	(000000-006999)	Blade, Sqge, Front	1
▲	3 386285	(000000-006999)	Clamp Wldt, Front	1
▲	4 21603	(000000-006999)	Pin	4
▲	5 24555	(000000-006999)	Ring, Retaining, Ext	4
▲	6 386298	(000000-006999)	Pin Wldt, Front	1
▲	7 21601	(000000-006999)	Cam	1
▲	8 386284	(000000-006999)	Blade, Sqge, Rear	1
▲	9 386286	(000000-006999)	Clamp Wldt, Rear	1
▲	10 21606	(000000-006999)	Bar Wldt, Retainer, Sqge, Rear	1
▲	11 21602	(000000-006999)	Cam, Rear	1
▲	12 03495	(000000-006999)	Strip, Nonslip	4
▲	13 83874	(000000-006999)	Gasket, Sqge	2
▲	14 386264	(000000-006999)	Bumper, Sqge	2
▲	15 386299	(000000-006999)	Screw, Hex, M08 X 1.25 X 100, Ss	1
▲	16 01685	(000000-006999)	Washer, Flt, .31 Ss	5
▲	17 222497	(000000-006999)	Sleeve	1
▲	18 08713	(000000-006999)	Nut, Hex, Lock, M08 X 1.25,NI, Ss	2
▲	19 09767	(000000-006999)	Screw, Hex, M08 X 1.25 X 70, Ss	1
▲	20 386266	(000000-006999)	Channel Wldt	1
▲	21 386234	(000000-006999)	Pivot Wldt, Guard	1
▲	22 12309	(000000-006999)	Screw, Hex, M12 X 1.75 X 30, Ss	2
▲	23 41619	(000000-006999)	Washer, Flt, .50 Ss	2
▲	24 09741	(000000-006999)	Nut, Hex, Lock, M12 X 1.75,NI, Ss	2
▲	25 1039190	(000000-006999)	Pin, Clevis, 0.25d X 2.00l	1
▲	26 08178	(000000-006999)	Pin, Cotter, .062 X 0.75	1
▲	27 01684	(000000-006999)	Washer, Flt, .25 Ss	2
▲	28 387237	(000000-006999)	Stud, .31-18 2.75l M8 X 1.25, Ss	2
▲	29 370100	(000000-006999)	Knob, 4-Prong W/.31-18, Insert	2
▲	30 04414	(000000-006999)	Washer, 0.53b 1.88d .12, Stl, Pl	2
▲	31 387433	(000000-006999)	Ring, Mtg, Sqge, .50l	2
▲	32 387500	(000000-006999)	Spring, Cmpr, .87od .042wir 2.0l	2
▲	33 387448	(000000-006999)	Bumper, Poly-E	1
▲	34 387438	(000000-006999)	Bumper, Poly-E	1
▲	35 387257	(000000-)	Blade, Sqge, Front, Mp1000, Tile	1

STANDARD PARTS

Fig. 34 - Max Pro 1000 Rear Squeegee Group (007000-)

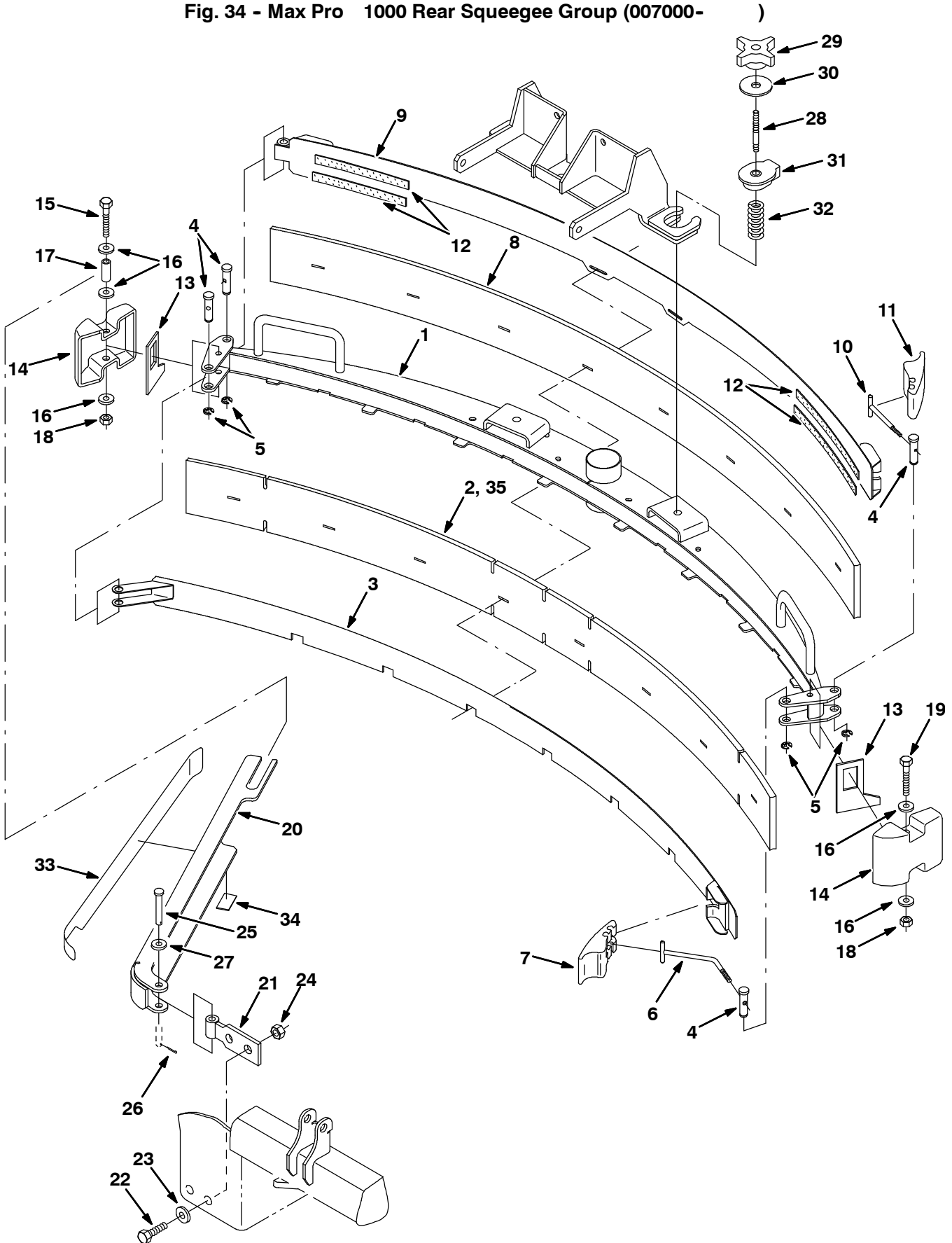


Fig. 34 - Max Pro 1000 Rear Squeegee Group (007000-)

Ref.	Tennant Part No.	Machine Serial Number	Description	Qty.
▽	9006930	(007000-) Squeegee Assy Kit, Rear, Ci [Mp1000]	1
▲	1 1056856	(007000-) Frame Wldt, Sqge, Iron Gray	1
▲	2 386283	(007000-) Blade, Sqge, Front	1
▲	3 386285	(007000-) Clamp Wldt, Front	1
▲	4 21603	(007000-) Pin	4
▲	5 24555	(007000-) Ring, Retaining, Ext	4
▲	6 386298	(007000-) Pin Wldt, Front	1
▲	7 21601	(007000-) Cam	1
▲	8 386284	(007000-) Blade, Sqge, Rear	1
▲	9 386286	(007000-) Clamp Wldt, Rear	1
▲	10 21606	(007000-) Bar Wldt, Retainer, Sqge, Rear	1
▲	11 21602	(007000-) Cam, Rear	1
▲	12 03495	(007000-) Strip, Nonslip	4
▲	13 83874	(007000-) Gasket, Sqge	2
▲	14 386264	(007000-) Bumper, Sqge	2
▲	15 386299	(007000-) Screw, Hex, M08 X 1.25 X 100, Ss	1
▲	16 01685	(007000-) Washer, Flt, .31 Ss	5
▲	17 222497	(007000-) Sleeve	1
▲	18 08713	(007000-) Nut, Hex, Lock, M08 X 1.25,NI, Ss	2
▲	19 09767	(007000-) Screw, Hex, M08 X 1.25 X 70, Ss	1
▲	20 1056471	(007000-) Channel Wldt, Guard, Rh, Iron Gray	1
▲	21 1056466	(007000-) Plate Wldt, Pivot, Guard, Iron Gray	1
▲	22 12309	(007000-) Screw, Hex, M12 X 1.75 X 30, Ss	2
▲	23 41619	(007000-) Washer, Flt, .50 Ss	2
▲	24 09741	(007000-) Nut, Hex, Lock, M12 X 1.75,NI, Ss	2
▲	25 1039190	(007000-) Pin, Clevis, 0.25d X 2.00l	1
▲	26 08178	(007000-) Pin, Cotter, .062 X 0.75	1
▲	27 01684	(007000-) Washer, Flt, .25 Ss	2
▲	28 387237	(007000-) Stud, .31-18 2.75l M8 X 1.25, Ss	2
▲	29 370100	(007000-) Knob, 4-Prong W/.31-18, Insert	2
▲	30 04414	(007000-) Washer, 0.53b 1.88d .12, Stl, Pl	2
▲	31 387433	(007000-) Ring, Mtg, Sqge, .50l	2
▲	32 387500	(007000-) Spring, Cmpr, .87od .042wir 2.0l	2
▲	33 387448	(007000-) Bumper, Poly-E	1
▲	34 387438	(007000-) Bumper, Poly-E	1
▲	35 387257	(000000-) Blade, Sqge, Front, Mp1000, Tile	1

Fig. 35 - Sweeper Main Brush Doors Group

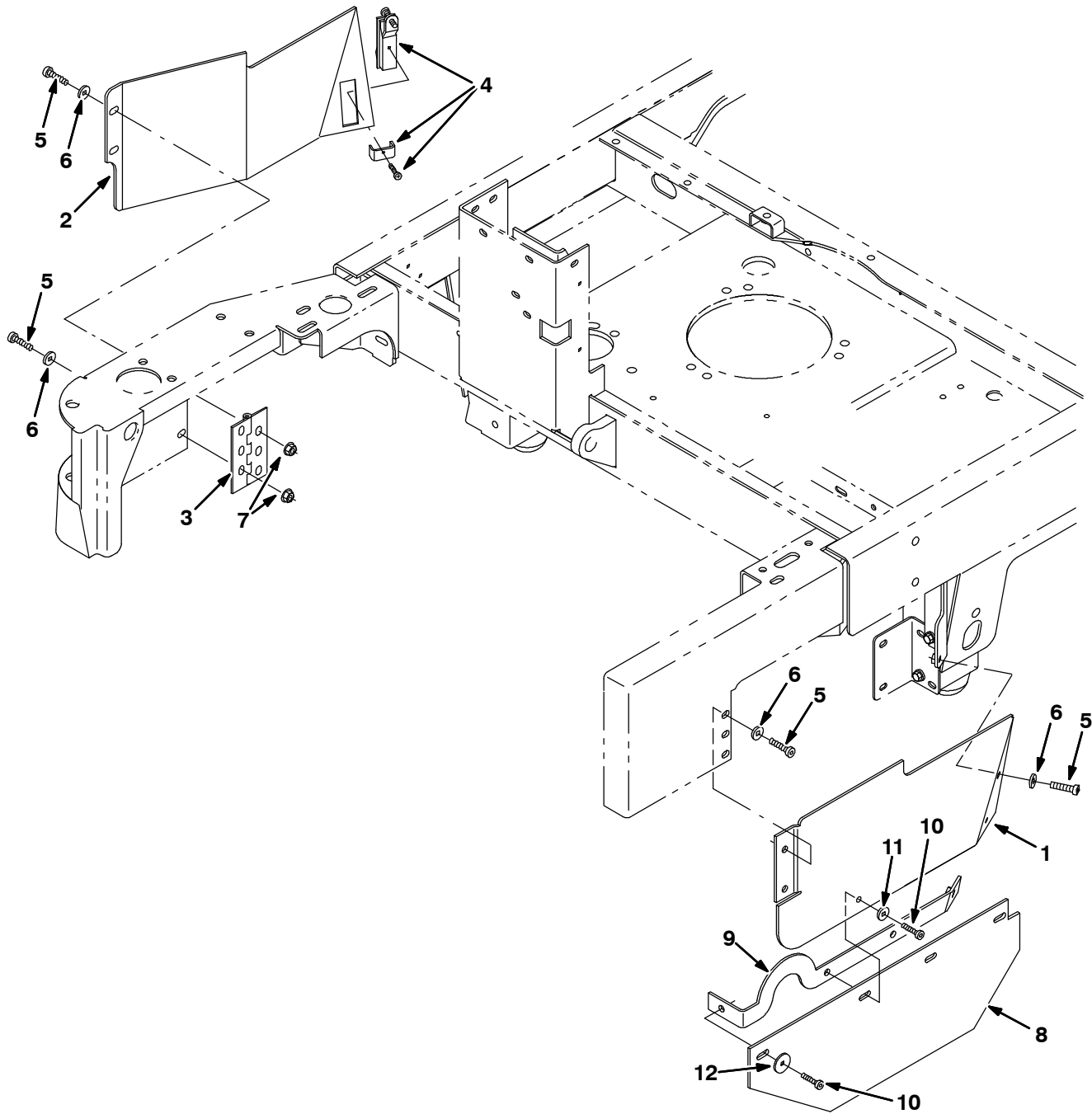


Fig. 35 - Sweeper Main Brush Doors Group

Ref.	Tennant Part No.	Machine Serial Number	Description	Qty.
1	387090	(000000-006999)	Door, Brush, Lh	1
1	1056794	(007000-)	Door, Brush, Lh, Iron Gray	1
2	387084	(000000-006999)	Door, Brush, Rh	1
2	1056513	(007000-)	Door, Brush, Rh, Iron Gray	1
3	363856	(000000-)	Hinge, .25pin .25 3.0w 05.0l 6/0.44h	1
4	64533	(000000-)	Latch, Trigger	1
5	76570	(000000-)	Screw, Hex, M08 X 1.25 X 30, 8.8	8
6	32491	(000000-)	Washer, Flt, .31 Std	8
7	08709	(000000-)	Nut, Hex, Lock, M08 X 1.25,NI	7
8	387468	(000000-)	Skirt	1
9	1056934	(000000-)	Strip, Iron Gray	1
10	223470	(000000-)	Screw, Btn, M08 X 1.25 X 25, Ss	4
11	39349	(000000-)	Washer, Flt, .31 Sae	3
12	30013	(000000-)	Washer, Flat, .31 Fender	1

Fig. 36 - Sweeper Side Brush Motor and Pivot Group

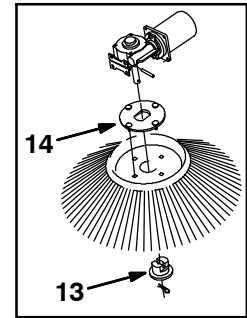
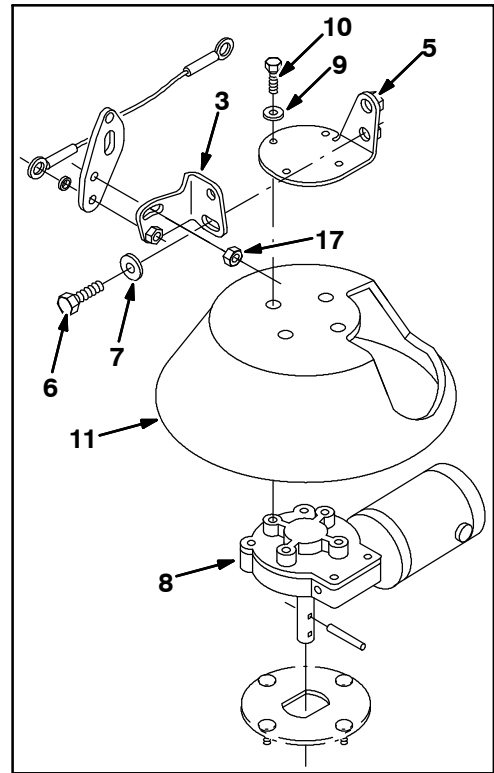
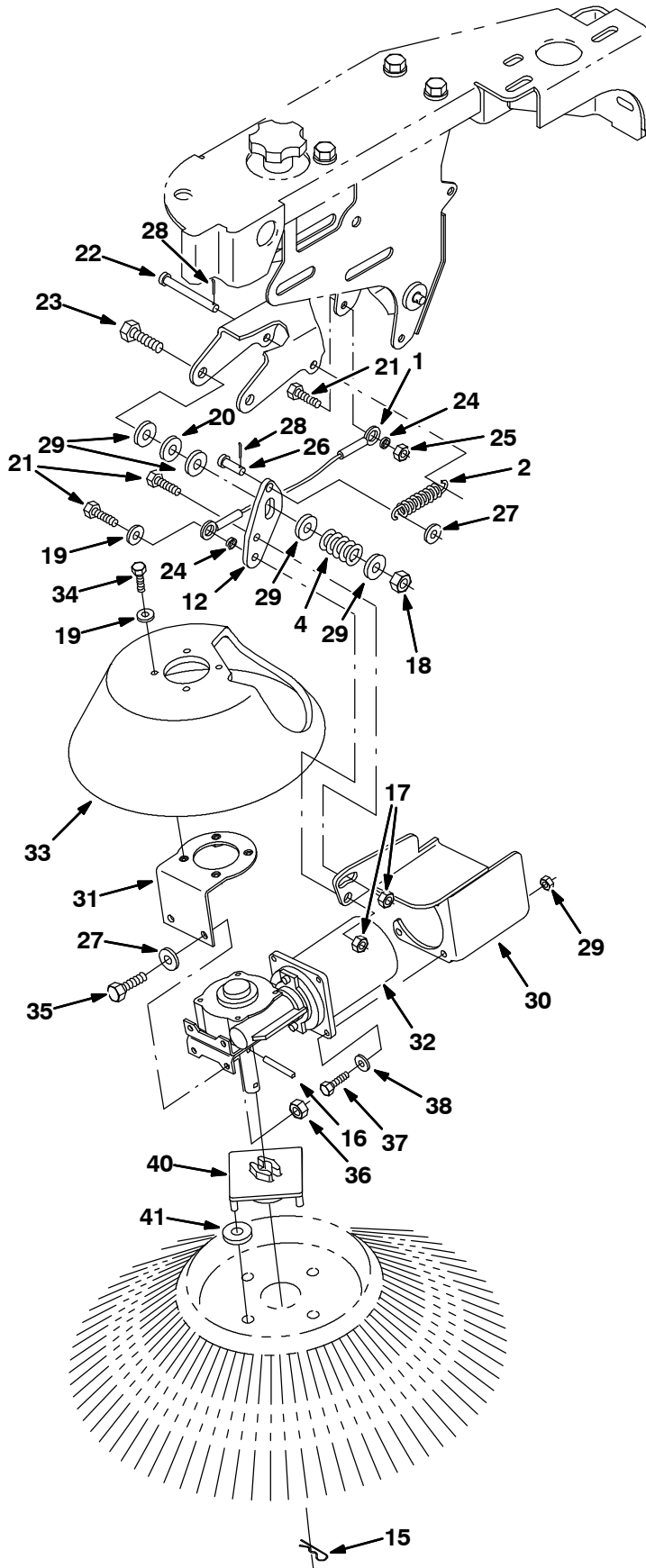


Fig. 36 - Sweeper Side Brush Motor and Pivot Group

Ref.	Tennant Part No.	Machine Serial Number	Description	Qty.	
1	87172	(000000-	Cable, .13d, 10.0l, .51eye /.51eye	1	
2	09480	(000000-	Spring, Extn, 1.10od X 0.15wir, 3.2l	1	
3	1056891	(000000-003545)	Bracket, Mtg, Motor, Iron Gray	2	
4	360357	(000000-	Spring, Die, 1.00od 0.50id 1.25l	2	
5	1056911	(000000-003545)	Bracket, Mtg, Motor, Iron Gray	1	
6	09770	(000000-003545)	Screw, Hex, M10 X 1.5 X 25, Ss, N	2	
7	01686	(000000-003545)	Washer, Flat, .38 Ss	2	
▽	8	1008274	(000000-003545)	Motor, Ele, 36Vdc 0068Rpm 0.08Hp Gear	1
▲		81919	(000000-003545)	Kit, Brush, Motor, Ele	1
▲		80127	(000000-003545)	Cap, Brush, Motor, Ele	2
▲		369795	(000000-003545)	Brushholder, Motor, Ele	2
▲		369796	(000000-003545)	Clip, Motor, Ele	2
	9	01684	(000000-003545)	Washer, Flt, .25 Ss	4
	10	15678	(000000-003545)	Screw, Hex, M06 X 1.0 X 16, Ss	4
	11	386666	(000000-003545)	Guard, Brush, Side	1
12	1056909	(000000-	Plate, Iron Gray	1	
13	386664	(000000-004071)	Adapter, Brush	1	
14	386663	(000000-004071)	Plate, Adapter, Brush	1	
15	02942	(000000-	Pin, Hair Cotter, 0.69 D .092 Wir	1	
16	11398	(000000-	Pin, Roll, .250 D X 2.00l, .250/.256	1	
17	07791	(000000-	Nut, Hex, Flng, M08 X 1.25	2	
18	08711	(000000-	Nut, Hex, Lock, M12 X 1.75, NI	1	
19	32491	(000000-	Washer, Flt, .31 Std	5	
20	86860	(000000-	Bearing, Thrust	1	
21	39277	(000000-	Screw, Hex, M08 X 1.25 X 25, 8.8	3	
22	57598	(000000-	Pin, Clevis, 0.37 D X 3.25l	1	
23	06974	(000000-	Screw, Hex, M12 X 1.75 X 80, 8.8	1	
24	360801	(000000-	Sleeve	2	
25	08709	(000000-	Nut, Hex, Lock, M08 X 1.25,NI	1	
26	04733-2	(000000-	Pin, Clevis, 0.37 D X 0.62l	1	
27	01685	(000000-	Washer, Flt, .31 Ss	3	
28	39005	(000000-	Pin, Cotter, .094 X 0.75	2	
29	32486	(000000-	Washer, Flt, .50 Sae	4	
30	1056939	(003546-	Bracket Wldt, Mtg, Motor, Gray [8300]	1	
31	1056938	(003546-	Bracket Wldt, Mtg, Guard, Side Brush	1	
32	1005523	(003546-	Motor, Gear, 36vdc, 120w, 75rpm	1	
33	1005404	(003546-	Guard, Side Brush	1	
34	11329	(003546-	Screw, Hex, M6 X 1.00 X 16, NI, Ss	4	
35	09740	(003546-	Screw, Hex, M 8 X 1.25 X 20, Ss	2	
36	07786	(003546-	Nut, Hex, Std, M08 X 1.25, Ss	2	
37	08716	(003546-	Screw, Hex, M 6 X 1.0 X 20, Ss	4	
38	01684	(003546-	Washer, Flat, 0.25 Ss	4	
39	08708	(003546-	Nut, Hex, Lock, M 6 X 1.0, NI	3	
40	1017441	(004072-	Plate, Adapter, Brush	1	
41	1017802	(004072-	Washer, .625 B, 2.50 Od, .211 T, Ss	4	

Fig. 37 - Sweeper Side Brush Lift Group

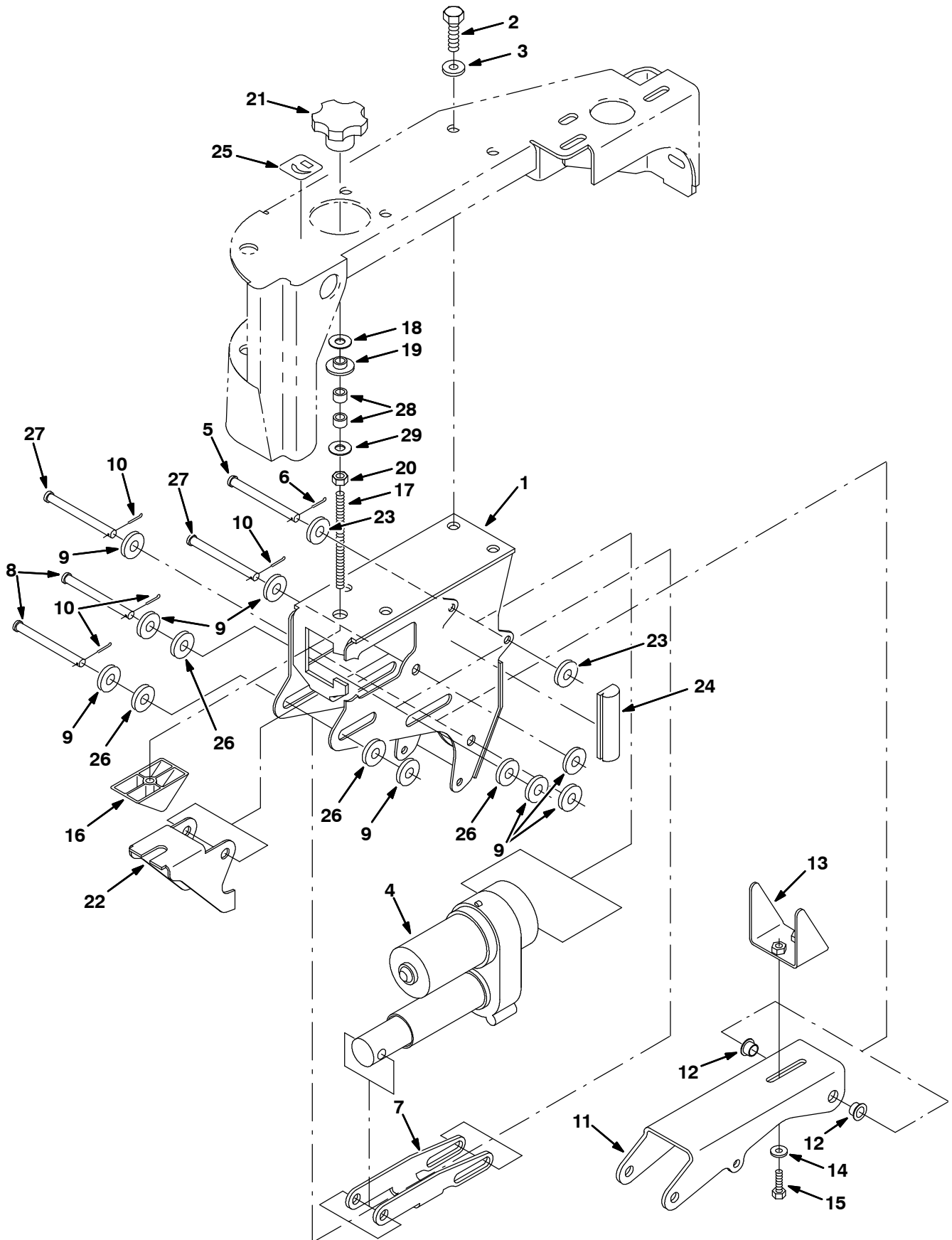
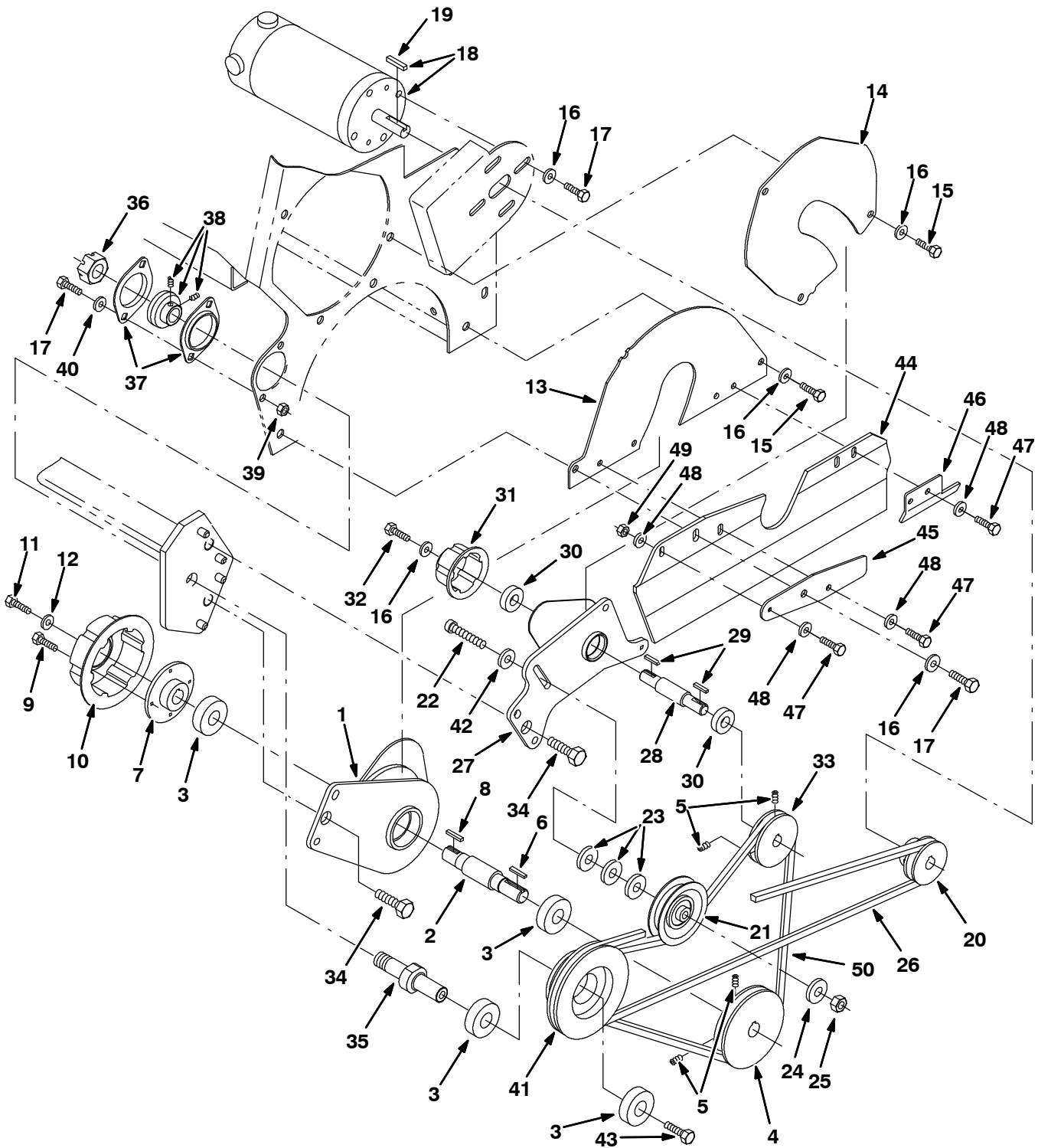


Fig. 37 - Sweeper Side Brush Lift Group

Ref.	Tennant Part No.	Machine Serial Number	Description	Qty.
1	1056887	(000000-) Housing Wldt, Brush, Side, Iron Gray	1
2	09291	(000000-) Screw, Hex, M10 X 1.5 X 20, Ss	4
3	32492	(000000-) Washer, Flt, .38 Std	4
4	1054296	(000000-) Actuator, 36vdc, 01.8strk, 300lb	1
5	49914	(000000-) Pin, Clevis, 0.37 D X 4.00l	1
6	39005	(000000-) Pin, Cotter, .125 X 1.00	1
7	1056888	(000000-) Bracket, Iron Gray	1
8	51528	(000000-) Pin, Clevis, 0.50 D X 4.00l	2
9	32486	(000000-) Washer, Flt, .50 Std	8
10	08182	(000000-) Pin, Cotter, .125 X 1.00	4
11	1056889	(000000-) Channel, Iron Gray	1
12	15648	(000000-) Bushing, Flng, 0.50b 0.59d 0.38l	2
13	1056890	(000000-) Bracket, Iron Gray	1
14	32491	(000000-) Washer, Flt, .31 Std	2
15	16931	(000000-) Screw, Hex, M08 X 1.25 X 20, 8.8	2
16	386658	(000000-) Block, Adj	1
17	387151	(000000-) Shaft, Threaded	1
18	64489	(000000-) Washer, 0.81b 1.24d .03, Stl, Pl	1
19	363087	(000000-) Spacer, Flanged	1
20	25014	(000000-) Nut, Hex, Std, M10 X 1.25	1
21	41341	(000000-) Knob, Plastic	1
22	1056910	(000000-) Bracket, Pivot, Iron Gray	1
23	32485	(000000-) Washer, Flt, .38 Sae	2
24	86333	(000000-) Duct, Vinyl 3.5l	1
25	387405	(000000-) Label, Brush, Side, Adj	1
26	07450	(000000-) Bearing, Thrust, 0.66b 1.25d 0.06w	4
27	222196	(000000-) Pin, Clevis, 0.50 D X 4.00l	2
28	390879	(000000-) Sleeve, P/M 0.625D 0.406B 0.38L 430Ss	2
29	32492	(000000-) Washer, Flat, 0.38 Std	1

Fig. 38 - Sweeper Main Brush Drive Group



353424 - 8300

Ref.	Tennant Part No.	Machine Serial Number	Description	Qty.
1	1056921	(000000-)	Arm Wldt, Brush, Drive, Iron Gray	1
2	386360	(000000-)	Shaft	1
3	46390	(000000-)	Bearing, Ball, 0.79b 1.85d 0.55w	4
4	1057519	(000000-)	Sheave, 01grv, 04.5pd, 0.75b, Gray [3v]	1
5	09162	(000000-)	Screw, Set, M06 X 1.0 X 8, NI	4

Fig. 38 - Sweeper Main Brush Drive Group

Ref.	Tennant Part No.	Machine Serial Number	Description	Qty.
6	00912	(000000-) Key, Sq, 0.19 X 0.19, 01.00l	2
7	1056846	(000000-) Hub Wldt, Drive, Brush, Iron Gray	1
8	00911	(000000-) Key, Sq, 0.19 X 0.19, 00.75l	1
9	12312	(000000-) Screw, Hex, M05 X 0.8 X 12, 8.8	4
10	1056847	(000000-) Plug, Drive, Brush, Spl, Iron Gray	1
11	06943	(000000-) Screw, Hex, M06 X 1.0 X 20, 8.8	1
12	32490	(000000-) Washer, Flt, .25 Std	1
13	1056907	(000000-) Plate, Door, Brush, Iron Gray	1
14	1056905	(000000-) Door, Brush, Iron Gray	1
15	50388	(000000-) Screw, Hex, M08 X 1.25 X 12, 8.8	4
16	32491	(000000-) Washer, Flt, .31 Std	10
17	16931	(000000-) Screw, Hex, M08 X 1.25 X 20, 8.8	7
▽	18	383709	(000000-) Motor, Ele, 36vdc 0.9hp 1800rpm (See Breakdown)	1
▲	19	00912	(000000-) Key, Sq, 0.19 X 0.19, 01.00l	1
	20	1056858	(000000-) Sheave, 01grv, 02.6pd 0.71b, Gray [Hc41]	1
	21	81710	(000000-) Sheave, Flat, 2.6d 0.62w, 0.38b	1
	22	19577	(000000-) Bolt, Carriage, .38-16 X 2.00	1
	23	32492	(000000-) Washer, Flt, .38 Std	3
	24	32485	(000000-) Washer, Flt, .38 Sae	1
	25	36643	(000000-) Nut, Hex, Lock, .38-16, NI, Thin	1
	26	58327	(000000-) Belt, V, [Hc41] 41.0l	2
	27	1056922	(000000-) Arm Wldt, Brush, Drive, Iron Gray	1
	28	386361	(000000-) Shaft	1
	29	00910	(000000-) Key, Sq, 0.19 X 0.19, 00.62l	2
	30	41360	(000000-) Bearing, Ball, 0.59b 1.26d 0.35w	2
	31	378805	(000000-) Plug, Drive, Brush, Mach	1
	32	11329	(000000-) Screw, Hex, M06 X 1.0 X 16, Ss, NI	1
	33	1057518	(000000-) Sheave, 01grv, 03.8pd 0.68b, Gray [3v]	1
	34	06977	(000000-) Screw, Hex, M16 X 2.0 X 20, 8.8	2
	35	386359	(000000-) Pivot	1
	36	39527	(000000-) Nut, Hex, Sltd, .75-16	1
	37	35973	(000000-) Flange, Brg, 1.9id 2h	2
	38	25887	(000000-) Bearing, W/ Collar, 0.75b 1.85d 1.06w	1
	39	08709	(000000-) Nut, Hex, Lock, M08 X 1.25,NI	2
	40	39349	(000000-) Washer, Flt, .31 Sae	2
	41	386352	(000000-) Sheave	1
	42	32486	(000000-) Washer, Flt, .50 Sae	1
	43	12273	(000000-) Screw, Hex, M08 X 1.25 X 20, Ss, NI	1
	44	387059	(000000-) Skirt, Lh	1
	45	1057528	(000000-) Retainer, Skirt, .12, 1.7w X 07.3l, Gray	1
	46	1056931	(000000-) Retainer, Skirt, .12, 1.1w X 03.9l, Gray	1
	47	15678	(000000-) Screw, Hex, M06 X 1.0 X 16, Ss	4
	48	32483	(000000-) Washer, Flt, .25 Sae	5
	49	08712	(000000-) Nut, Hex, Lock, M06 X 1.0, NI, Ss	1
	50	387153	(000000-) Belt, V	1

Fig. 39 - Sweeper Main Brush Idler Group

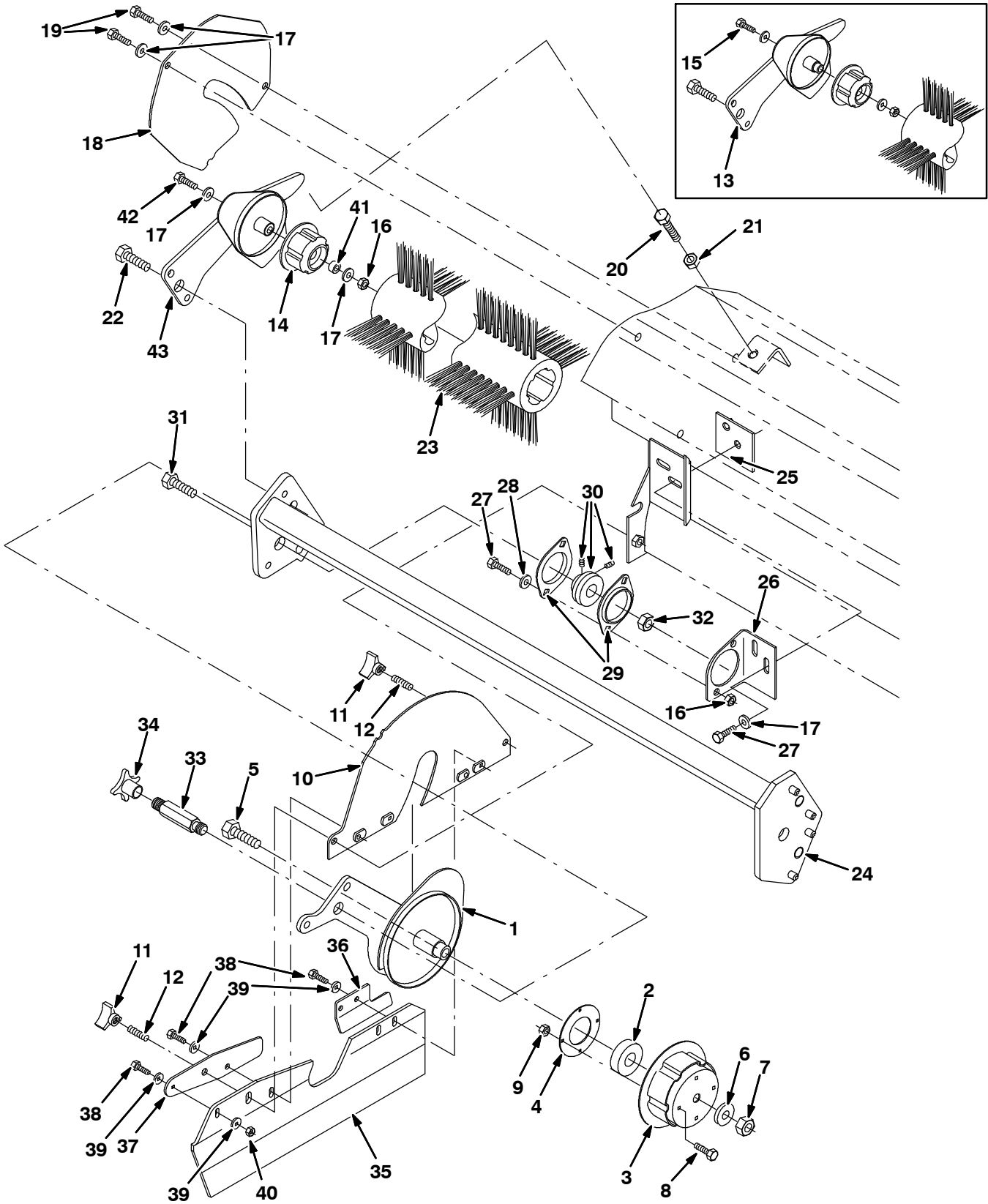


Fig. 39 - Sweeper Main Brush Idler Group

Ref.	Tennant Part No.	Machine Serial Number	Description	Qty.
1	1056932	(000000-) Arm Wldt, Brush, Idler, Iron Gray	1
2	46390	(000000-) Bearing, Ball, 0.79b 1.85d 0.55w	1
3	1057512	(000000-) Plug, Drive, Brush, Spl, Iron Gray	1
4	1056838	(000000-) Retainer, Brg, Iron Gray	1
5	12138	(000000-) Screw, Hex, M12 X 1.75 X 120, 8.8	1
6	32486	(000000-) Washer, Flt, .50 Sae	1
7	09741	(000000-) Nut, Hex, Lock, M12 X 1.75, NI, Ss	1
8	12312	(000000-) Screw, Hex, M05 X 0.8 X 12, 8.8	4
9	06549	(000000-) Nut, Hex, Lock, M05 X 0.8, NI	4
10	1056908	(000000-) Plate, Door, Brush, Iron Gray	1
11	222470	(000000-) Knob	2
12	30324	(000000-) Rod, Thrd, 2 End M08x1.25 01.2	2
13	387120	(000000-003348) Arm Wldt, Brush (Replaced by 374186)	1
14	379202	(000000-) Plug, Idler, Brush	1
15	76570	(000000-003348) Screw, Hex, M08 X 1.25 X 30, 8.8	1
16	08709	(000000-) Nut, Hex, Lock, M08 X 1.25, NI	1
17	32491	(000000-) Washer, Flt, .31 Std	16
18	1056906	(000000-) Door, Brush, Iron Gray	1
19	50388	(000000-) Screw, Hex, M08 X 1.25 X 12, 8.8	2
20	09746	(000000-) Screw, Hex, M10 X 1.5 X 90, Ss	1
21	07787	(000000-) Nut, Hex, Std, M10 X 1.5, Ss	1
22	06977	(000000-) Screw, Hex, M16 X 2.0 X 20, 8.8	1
23	385938	(000000-) Conveyor, Cyl, 35L, 4Sr, Pp	1
24	1056904	(000000-) Tube Wldt, Brush, Iron Gray	1
25	1056871	(000000-) Plate, Nut, Iron Gray	1
26	1056870	(000000-) Bracket, Brg, Mtg, Iron Gray	1
27	16931	(000000-) Screw, Hex, M08 X 1.25 X 20, 8.8	5
28	39349	(000000-) Washer, Flt, .31 Sae	2
29	35973	(000000-) Flange, Brg, 1.9id 2h	2
30	25887	(000000-) Bearing, W/ Collar, 0.75b 1.85d 1.06w	1
31	39284	(000000-) Screw, Hex, M10 X 1.5 X 35, 8.8	1
32	39312	(000000-) Nut, Hex, Std, M10 X 1.5	1
33	387152	(000000-) Shaft, Threaded	1
34	77605	(000000-) Knob, Plastic	1
35	387055	(000000-) Skirt, Rh	1
36	1056930	(000000-) Retainer, Rh, Iron Gray	1
37	1057528	(000000-) Retainer, Skirt, .12, 1.7w X 07.3l, Gray	1
38	15678	(000000-) Screw, Hex, M06 X 1.0 X 16, Ss	4
39	41178	(000000-) Washer, Flat, .25 Fender	5
40	08712	(000000-) Nut, Hex, Lock, M06 X 1.0, NI, Ss	1
41	374185	(003349-) Sleeve, .318B .589D .325Ss	1
42	39281	(003349-) Screw, Hex, M08X1.25X90, 8.8	1
43	1056840	(003349-) Arm Wldt, Brush, Idler, Iron Gray	1

Fig. 40 - Sweeper Main Brush Lift Group

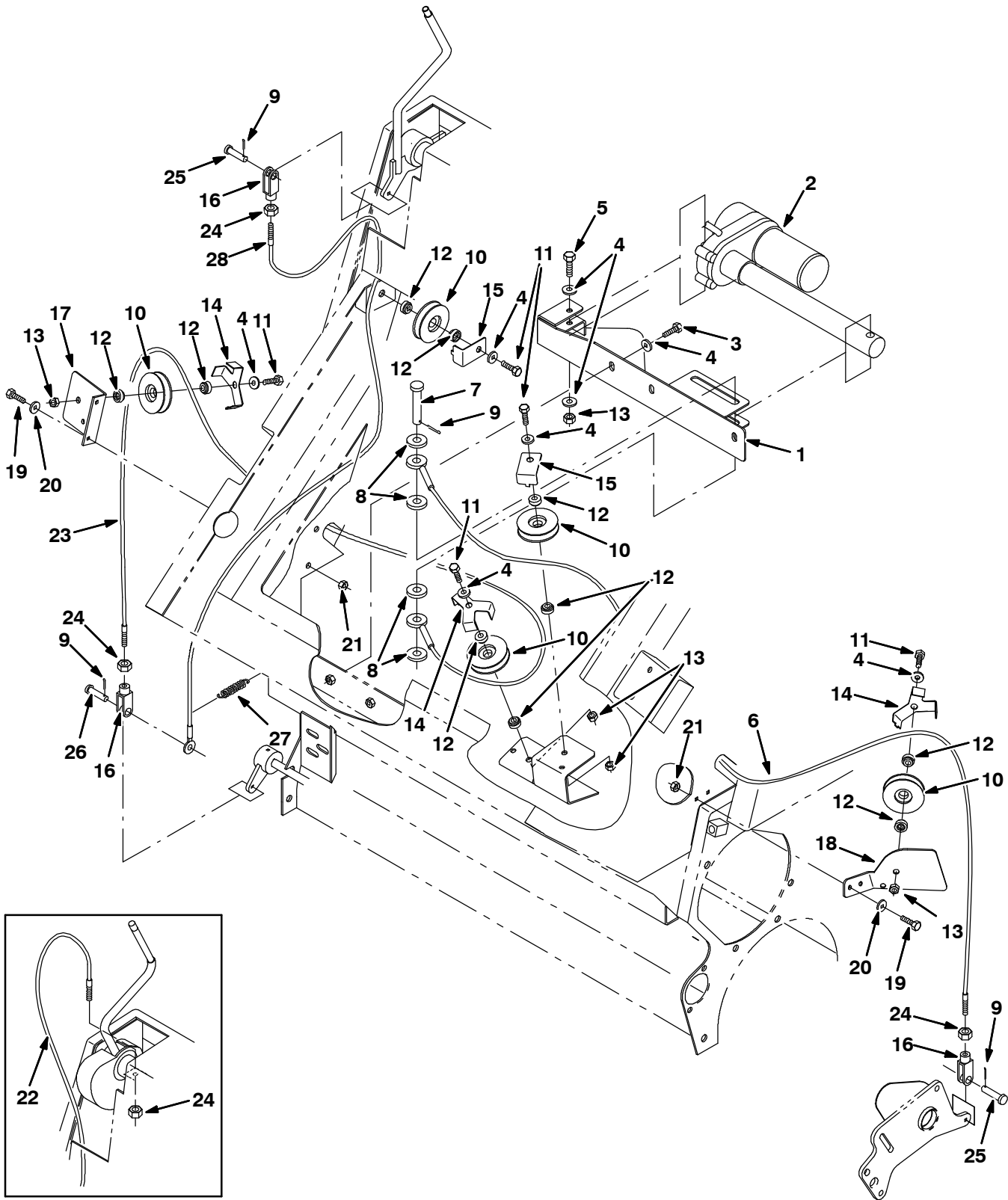


Fig. 40 - Sweeper Main Brush Lift Group

Ref.	Tennant Part No.	Machine Serial Number	Description	Qty.
1	387442	(000000-006999)	Actuator, Mount	1
1	1056528	(007000-)	Bracket Wldt, Actuator, Iron Gray	1
2	1053340	(000000-)	Actuator, 36vdc [Head Lift]	1
3	16931	(000000-)	Screw, Hex, M08 X 1.25 X 20, 8.8	3
4	32491	(000000-)	Washer, Flt, .31 Std	10
5	39278	(000000-)	Screw, Hex, M08 X 1.25 X 50, 8.8	
6	386578	(000000-)	Cable, Brush, Lift	1
7	51103	(000000-)	Pin, Clevis, 0.50 D X 2.62l	1
8	32486	(000000-)	Washer, Flt, .50 Sae	4
9	08175	(000000-)	Pin, Cotter, .125 X 1.25	4
10	80235	(000000-)	Sheave, Idler, 15mm Id, 2.44pd	5
11	41342	(000000-)	Screw, Hex, M08 X 1.25 X 40, 8.8	5
12	80487	(000000-)	Spacer, Idler .25 Lg	10
13	08709	(000000-)	Nut, Hex, Lock, M08 X 1.25,NI	5
14	386628	(000000-)	Angle, Cable. Keeper	3
15	386629	(000000-)	Angle, Cable, Keeper	2
16	14595-1	(000000-)	Clevis, Adj, 0.25pin, .25-28	3
17	386969	(000000-006999)	Angle	1
17	1056508	(007000-)	Angle	1
18	386972	(000000-006999)	Angle	1
18	1056511	(007000-)	Angle	1
19	06943	(000000-)	Screw, Hex, M06 X 1.0 X 20, 8.8	4
20	32940	(000000-)	Clevis, Adj, 1.12pin, 1.00-14	4
21	41359	(000000-)	Nut, Hex, Std, M06 X 1.0	4
22	386577	(000000-003124)	Cable, Flap, Lift	1
23	386579	(000000-)	Cable, Flap, Lift	1
24	01714	(000000-)	Nut, Hex, Std, .25-28	4
25	14605	(000000-)	Pin, Clevis, 0.25 D X 0.75l	2
26	51727	(000000-)	Pin, Clevis, 0.25 D X 1.00l	1
27	363981	(000000-)	Spring, Extn, 0.50Od X 0.04Wir, 3.0L	1
28	387477	(003125-)	Cable, Flap, Lift	1

Fig. 41 - Hopper and Bumper Group

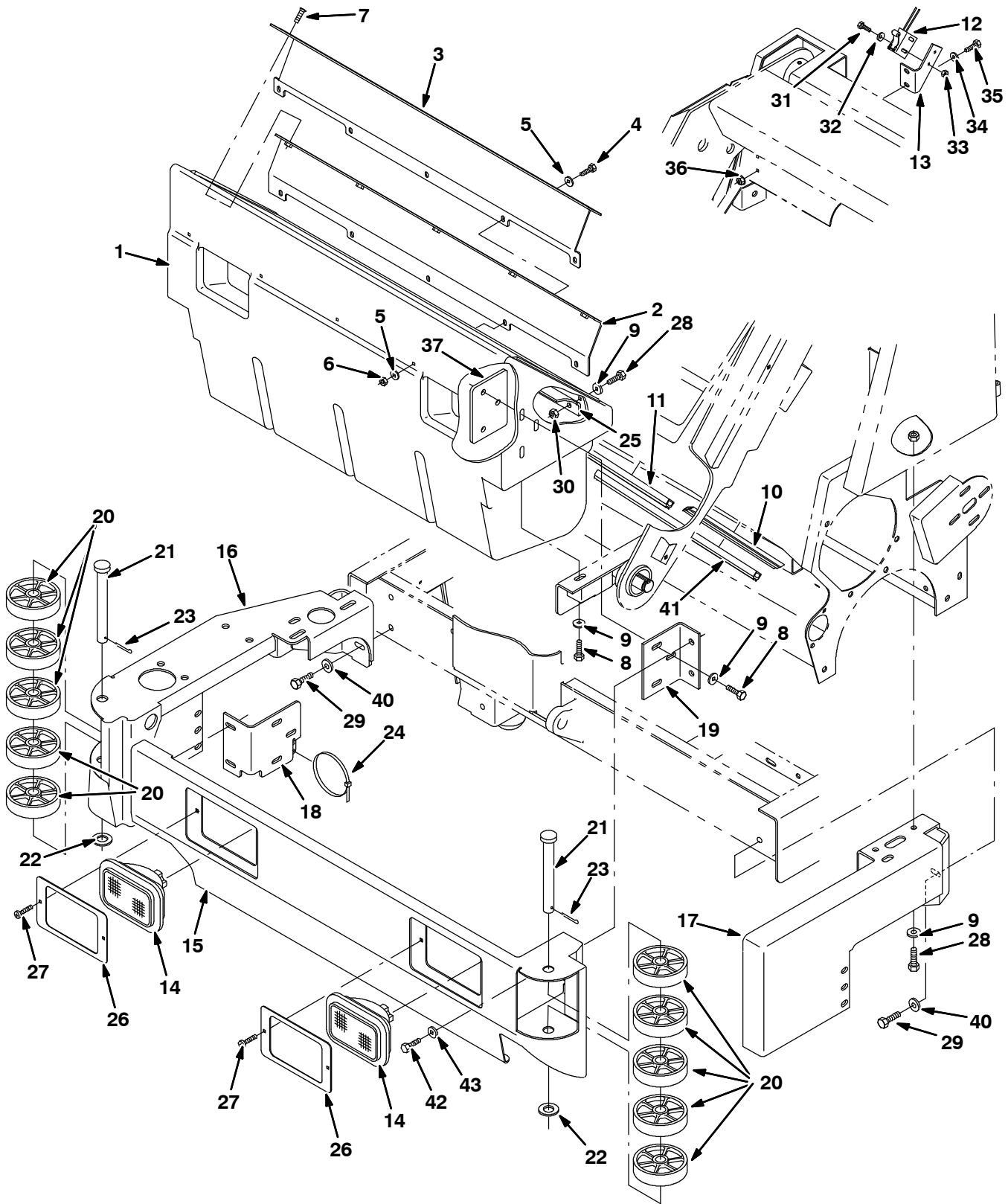


Fig. 41 - Hopper and Bumper Group

Ref.	Tennant Part No.	Machine Serial Number	Description	Qty.	
1	386566	(000000-006999)	Hopper, Sweeper, [8300]	1	
1	1056437	(007000-)	Hopper, Swpr, Teal [8300]	1	
2	386970	(000000-006999)	Brace, Hppr, Internal	1	
2	1056509	(007000-)	Brace, Hppr, Int, Iron Gray	1	
3	386971	(000000-006999)	Brace, Hppr, External	1	
3	1056510	(007000-)	Brace, Hppr, Ext, Iron Gray	1	
4	06944	(000000-)	Screw, Hex, M06 X 1.0 X 25, 8.8	5	
5	32490	(000000-)	Washer, Flt, .25 Std	10	
6	41359	(000000-)	Nut, Hex, Std, M06 X 1.0	5	
7	06415	(000000-)	Screw, Flat, M06 X 1.0 X 25, 10.9	5	
8	16931	(000000-)	Screw, Hex, M08 X 1.25 X 16, 8.8	8	
9	32491	(000000-)	Washer, Flt, .31 Std	18	
10	387407	(000000-)	Seal, Hppr, Vertical	2	
11	387413	(000000-)	Seal, Hppr, Horiz	1	
12	367404	(000000-)	Switch Assy, Roller, No	1	
13	387295	(000000-)	Bracket, Switch	1	
13	1056522	(007000-006999)	Bracket, Switch, Iron Gray	1	
▽	14	223044	(000000-)	Headlight, 36vdc, 15cp 0.7a [#0534242]	2
▲	360518	(000000-)	Lamp, 36vdc, 32cp .72a, [#sp7]	1	
15	386908	(000000-006999)	Bumper Wldt	1	
15	1056792	(007000-)	Bumper Wldt, Iron Gray	1	
16	386752	(000000-006999)	Bumper Wldt, Rh	1	
16	1056500	(007000-)	Bumper Wldt, Rh, Iron Gray	1	
17	387095	(000000-006999)	Bumper Wldt, Lh	1	
17	1056795	(007000-)	Bumper Wldt, Lh, Iron Gray	1	
18	386570	(000000-006999)	Angle, Bumper, Mtg, Rh	1	
18	1056498	(007000-)	Angle, Bmpr, Mtg, Iron Gray	1	
19	387498	(003185-006999)	Bracket, Bumper	1	
19	1056808	(007000-)	Bracket, Bmpr, Iron Gray	1	
20	364085	(000000-)	Wheel, 4.0d 0.98w 0.78b	10	
21	51414	(000000-)	Pin, Clevis, 0.75 D X 6.50l	2	
22	39350	(000000-)	Washer, Flt, .75 Sae	2	
23	08236	(000000-)	Pin, Cotter, .156 X 1.25	2	
24	49266	(000000-)	Tie, Cable, Nyl, 07.3l .19w 1.8 Max D	3	
25	387019	(000000-)	Angle	1	
26	363827	(000000-)	Plate, Headlight	2	
26	1056677	(007000-)	Plate, Headlight, Iron Gray	2	
27	74027	(000000-)	Screw, Pan, M06-1.0 X 12, NI	4	
28	39277	(000000-)	Screw, Hex, M08 X 1.25 X 25, 8.8	8	
29	39283	(000000-)	Screw, Hex, M10 X 1.5 X 25, 8.8	4	
30	08709	(000000-)	Nut, Hex, Lock, M08 X 1.25, NI	4	
31	09244	(000000-)	Screw, Hex, M05 X 0.8 X 16, 8.8	2	
32	19066	(000000-)	Washer, Flt, #10	2	
33	06549	(000000-)	Nut, Hex, Lock, M05 X 0.8, NI	2	
34	06942	(000000-)	Screw, Hex, M06 X 1.0 X 16, 8.8	2	
35	32483	(000000-)	Washer, Flt, .25 Sae	2	
36	08708	(000000-)	Nut, Hex, Lock, M06 X 1.0, NI	2	
37	1056926	(000000-)	Plate, Iron Gray	2	
38	06955	(000000-)	Screw, Hex, M08 X 1.25 X 35, 8.8	6	
39	07791	(000000-)	Nut, Hex, Flng, M08 X 1.25	4	

Fig. 41 - Hopper and Bumper Group

Ref.	Tennant Part No.	Machine Serial Number	Description	Qty.
40	32492	(000000-) Washer, Flt, .38 Std	4
41	387406	(000000-) Seal, Hppr, Horiz	1
42	06955	(003185-) Screw, Hex, M8X1.25 X 35, 8.8	2
43	32491	(003185-) Washer, Flat, 0.31 Std	2

Fig. 42 - Sweeper Main Brush Skirts Group

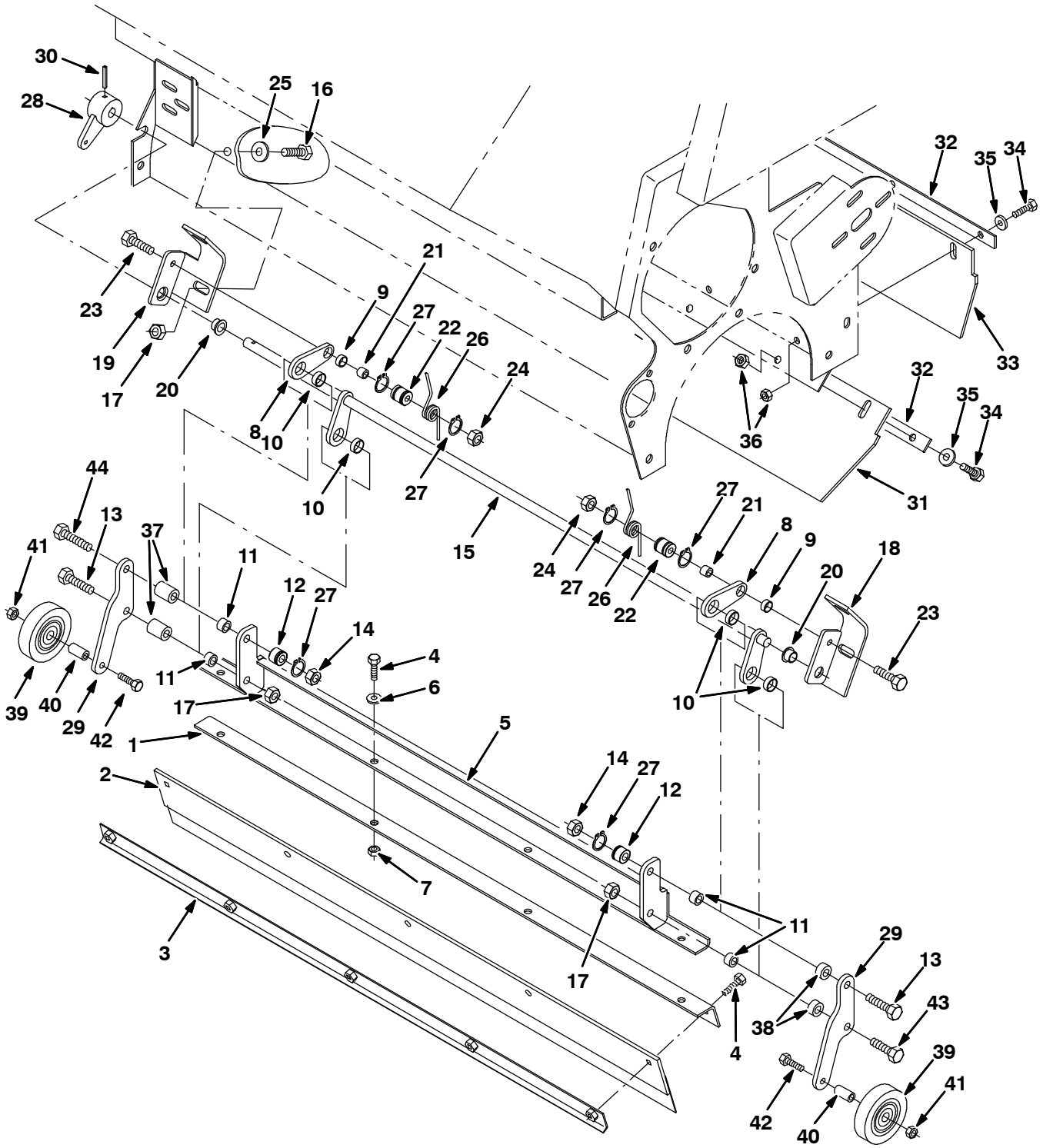


Fig. 42 - Sweeper Main Brush Skirt Group

Ref.	Tennant Part No.	Machine Serial Number	Description	Qty.
1	387275	(000000-006999)	Angle, Mtg, Front	1
1	1056519	(007000-	Angle, Mtg, Front, Iron Gray	1
2	386626	(000000-	Flap, Front	1
3	1056880	(000000-	Strip, Flap, Iron Gray	1
4	09740	(000000-	Screw, Hex, M08 X 1.25 X 20, Ss	9
5	387274	(000000-006999)	Channel Wldt	1
5	1056518	(007000-	Channel Wldt, Iron Gray	1
6	07800	(000000-	Washer-Flt 8.4x17 X2 M8	4
7	07786	(000000-	Nut, Hex, Std, M08 X 1.25, Ss	4
8	1056925	(000000-	Arm, Iron Gray	2
9	367452	(000000-	Bushing, Sleeve, 0.50b 0.59d 0.25l, Bnz	2
10	360491	(000000-	Bushing, Sleeve, 0.63b 0.72d 0.25l	4
11	386581	(000000-	Bearing, Sleeve, 0.62od	4
12	387268	(000000-	Spacer, Short	2
13	06964	(000000-	Screw, Hex, M10 X 1.50 X 70, 8.8	2
14	08714	(000000-	Nut, Hex, Lock, M10 X 1.5, NI, Ss	2
15	1056881	(000000-	Arm Wldt, Flap, Lower, Iron Gray	1
16	09028	(000000-	Screw, Hex, M10 X 1.5 X 25, Ss	4
17	08714	(000000-	Nut, Hex, Lock, M10 X 1.5, NI, Ss	4
18	1056882	(000000-	Bar Wldt, Flap, Lh, Iron Gray	1
19	1056920	(000000-	Bar Wldt, Flap, Rh, Iron Gray	1
20	15648	(000000-	Bushing, Flng, 0.50b 0.59d 0.38l	2
21	387235	(000000-	Sleeve	2
22	387234	(000000-	Spacer	2
23	09026	(000000-	Screw, Hex, M08 X 1.25 X 40, Ss	2
24	07786	(000000-	Nut, Hex, Std, M08 X 1.25, Ss	2
25	33924	(000000-	Washer, Flat, M10, 10.5x21x2ss	4
26	387296	(000000-	Spring, Tors, .81ld .09W 3.0 Coil	2
27	26428	(000000-	Ring, Retaining, Ext, 0.75d, Hd	6
28	1056879	(000000-	Arm Wldt, Flap, Iron Gray	1
29	387397	(000000-006999)	Leg	1
29	1056525	(007000-	Leg, Iron Gray	1
30	26103	(000000-	Pin, Roll, .180 D X 1.25L, .187/.192	1
31	386828	(000000-	Skirt, Recirculation	1
32	1057529	(000000-	Strip, Flap, Recirculation, Iron Gray	1
33	386829	(000000-	Skirt, Recirculation	1
34	76570	(000000-	Screw, Hex, M08 X 1.25 X 30, 8.8	4
35	32491	(000000-	Washer, Flt, .31 Std	8
36	08709	(000000-	Nut, Hex, Lock, M08 X 1.25, NI	8
37	387398	(000000-006999)	Spacer	2
37	1056526	(007000-	Spacer, Iron Gray	2
38	387399	(000000-006999)	Spacer	2
38	1056527	(007000-	Spacer, Iron Gray	2
39	222066	(000000-	Wheel, 3.0D 0.88W 0.50B	2
40	222496	(000000-	Sleeve	2
41	08713	(000000-	Nut, Hex, Lock, M08 X 1.25, NI, Ss	2
42	09026	(000000-	Screw, Hex, M08 X 1.25 X 40, Ss	2
43	32731	(000000-	Screw, Hex, M10 X 1.5 X 50, Ss	1
44	06965	(000000-	Screw, Hex, M10 X 1.5 X 80, 8.8	1

Fig. 43 - Hopper Lift Arms Group

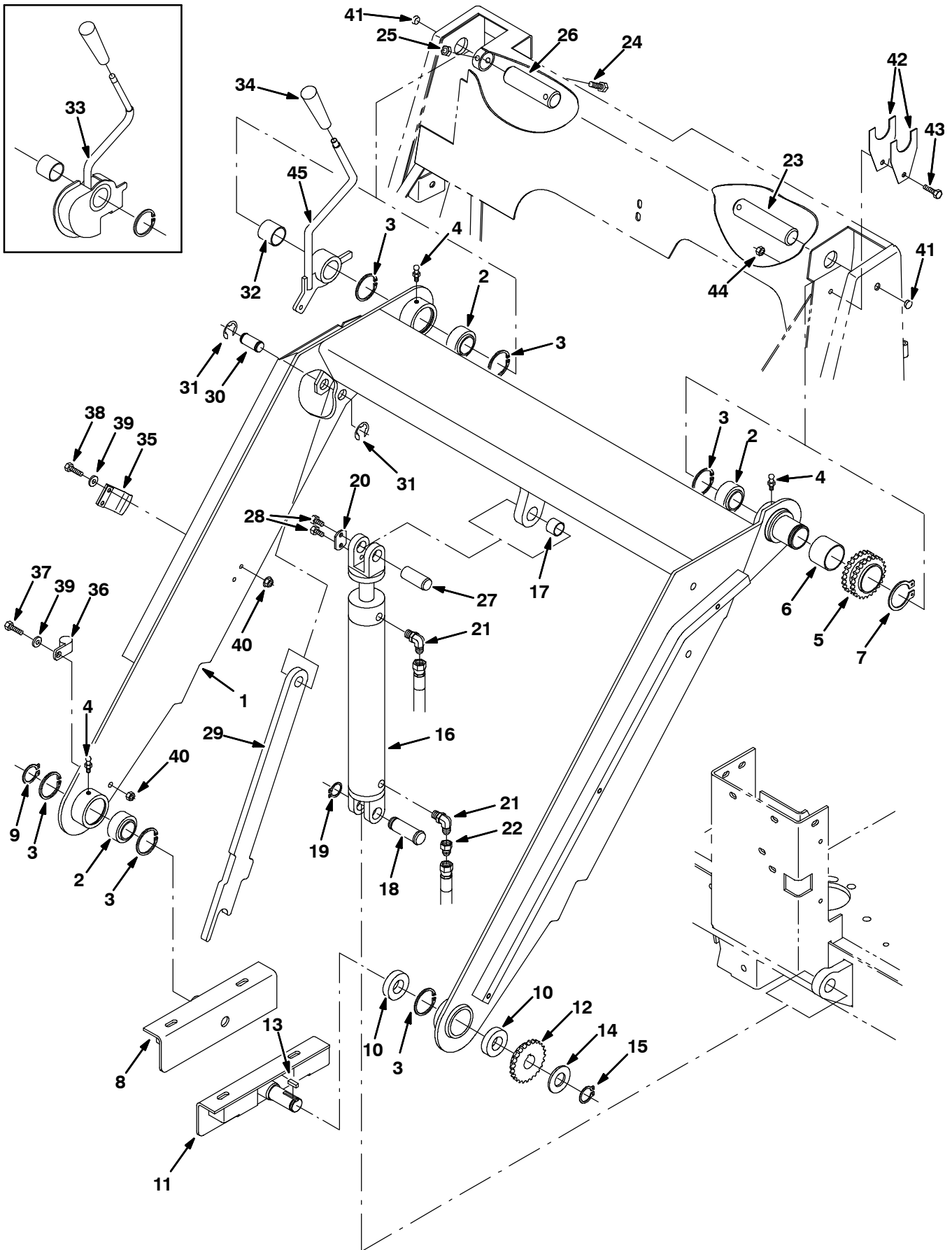


Fig. 43 - Hopper Lift Arms Group

Ref.	Tennant Part No.	Machine Serial Number	Description	Qty.
1	387345	(000000-006999)	Arm Wldt, Lift, Hopper, W/ Label, [8300]	1
1	9006950	(007000-	Arm Assy, Lift, Hppr, W/ Label,Iron Gray	1
2	42120-1	(000000-	Bearing, Self Align, 1.25b 2.00d	3
3	59542	(000000-	Ring, Retaining, Int, 2.00d	6
4	07259	(000000-	Fitting, Grease, Str Pm04 .47l	3
5	1057522	(000000-	Sprocket Wldt, 40, 18tooth, Iron Gray	1
6	386801	(000000-	Bearing, Sleeve, 1.75id	1
7	87147	(000000-	Ring, Retaining, Ext, 1.75d, Hd	1
8	1056898	(000000-	Bracket, Hppr, Rh, Iron Gray	1
9	58359	(000000-	Retainer, Ring	1
10	386694	(000000-	Bearing, Ball, 1.00b 2.00d 0.50w	2
11	386569	(000000-006999)	Bracket, Hopper, Lh	1
11	1056678	(007000-	Bracket, Hppr, Lh, Iron Gray	1
12	386540	(000000-	Sprocket, Hopper	1
13	00926	(000000-	Key, Sq, 0.25 X 0.25, 00.75l	1
14	45888	(000000-	Washer, Flat, 1.00, Sae	1
15	386962	(000000-	Ring, Retaining, Ext, 1.00od	1
16	379120	(000000-	Cylinder, Hyd, 2.0b, . L,12.00strk,2500	1
17	364587	(000000-	Bushing, Sleeve, 0.88b 1.00d 0.75l, Bnz	1
18	73077	(000000-	Pin, Clevis	1
19	72899	(000000-	Ring, Retaining, Ext, 0.88d	1
20	72897	(000000-	Plate, Pin, Clevis, Upper	1
21	77097	(000000-	Fitting, Hyd, E90, Jm04/Om04	2
22	16455	(000000-	Fitting, Hyd, Rst, Jm04/.047	1
23	386690	(000000-	Pin	1
24	39278	(000000-	Screw, Hex, M08 X 1.25 X 50, 8.8	2
25	08709	(000000-	Nut, Hex, Lock, M08 X 1.25,NI	2
26	386689	(000000-	Pin	1
27	72898	(000000-	Pin, Clevis	1
28	11329	(000000-	Screw, Hex, M06 X 1.0 X 16, Ss, NI	2
29	387347	(000000-	Arm, Safety W/ Label, [8300]	1
30	387335	(000000-	Pin, Arm, Safety	1
31	59840	(000000-	Ring, Retaining, Ext, 0.75d	2
32	386598	(000000-	Bearing, Sleeve, 1.25id	1
33	386599	(000000-003124)	Lever Assy, Flap	1
34	54995	(000000-	Knob, Tapered	1
35	364672	(000000-	Clip, Spring, Prop Arm	1
36	40678-1	(000000-	Clamp, Cable, Stl, 0.88d X 0.62w, 1h	1
37	06943	(000000-	Screw, Hex, M06 X 1.0 X 20, 8.8	1
38	06942	(000000-	Screw, Hex, M06 X 1.0 X 16, 8.8	2
39	32483	(000000-	Washer, Flt, .25 Sae	3
40	07790	(000000-	Nut, Hex, Flng, M06 X 1.0	3
41	56992	(000000-	Button, Plug, 0.50H .03-.12 [Black Nyl]	2
42	360768	(000000-	Plate, Spacer, Lift Arm	4
43	06943	(000000-	Screw, Hex, M06 X 1.0 X 20, 8.8	1
44	07790	(000000-	Nut, Hex, Flng, M06 X 1.0	1
45	387472	(003125-	Lever Wldt, Flap	1

Fig. 44 - Hopper Chain and Cover Group

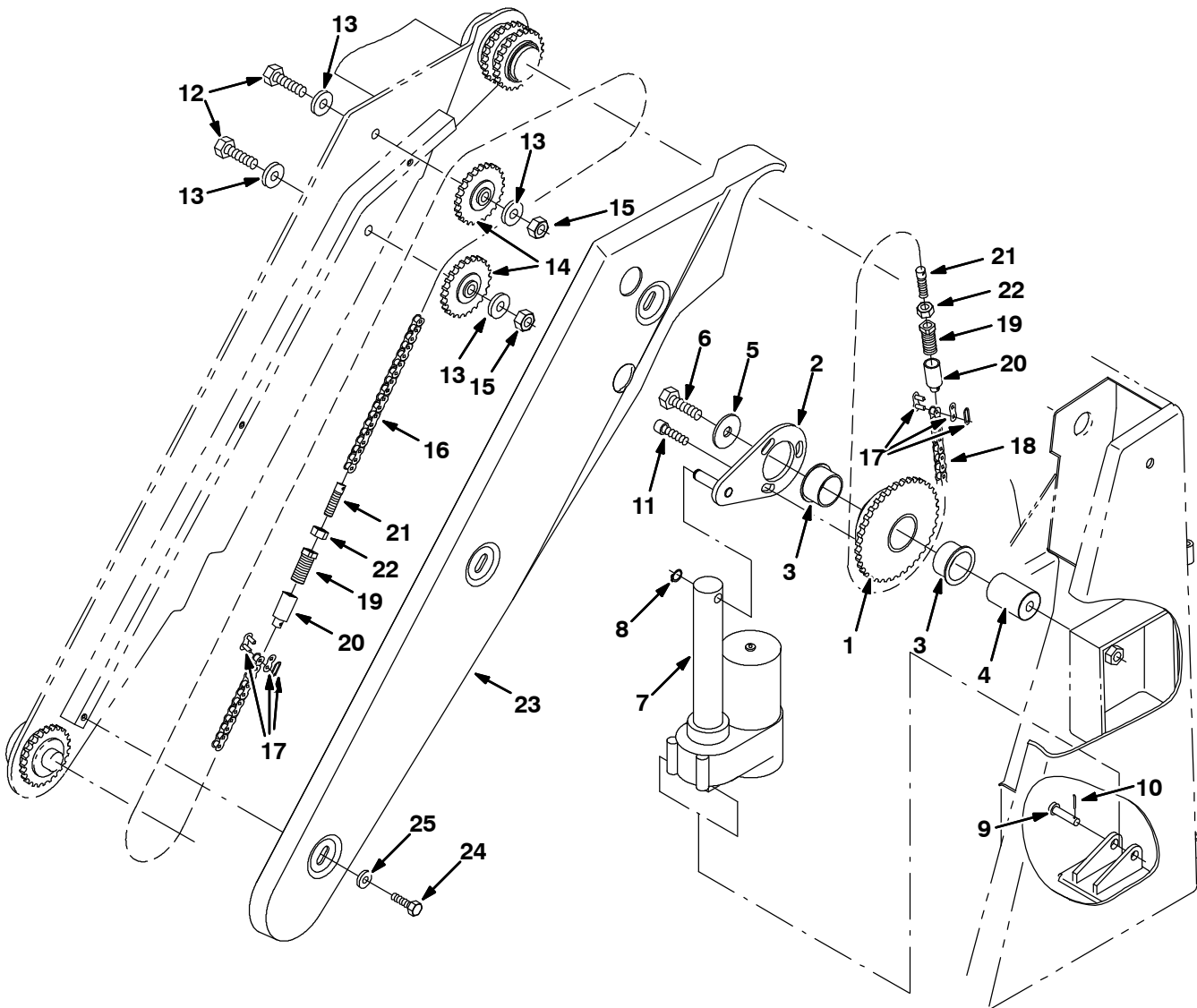


Fig. 44 - Hopper Chain and Cover Group

Ref.	Tennant Part No.	Machine Serial Number	Description	Qty.
1	1057523	(000000-) Sprocket Wldt, 40, 32tooth, 1.66b, Gray	1
2	1056918	(000000-) Arm Wldt, Iron Gray	1
3	54620	(000000-) Bushing, Flng, 1.50b 1.65d 1.00l	2
4	386783	(000000-) Shaft	1
5	51564	(000000-) Washer, 0.53b 1.75d .12, Stl, Pl	1
6	06974	(000000-) Screw, Hex, M12 X 1.75 X 80, 8.8	1
7	387144	(000000-) Actuator, Rollout	1
8	70717	(000000-) Ring, Retaining, Ext, 0.50d, Hd	1
9	17461	(000000-) Pin, Clevis, 0.37 D X 1.75l	1
10	08179	(000000-) Pin, Cotter, .094 X 1.00	1
11	39309	(000000-) Screw, Soc, M10 X 1.5 X 25, 12.9	3
12	06971	(000000-) Screw, Hex, M12 X 1.75 X 50, 8.8	2
13	32486	(000000-) Washer, Flt, .50 Sae	4
14	386539	(000000-) Sprocket, Idler	2
15	08711	(000000-) Nut, Hex, Lock, M12 X 1.75, NI	2
16	386554	(000000-) Chain, Arm	1
17	07112	(000000-) Link, Chain, Roller, #40	2
18	386555	(000000-) Chain, Drive	1
19	386997	(000000-) Housing	2
20	386998	(000000-) Ear	2
21	386999	(000000-) Pivot	2
22	32716	(000000-) Nut, Hex, Jam, M10 X 1.5, Ss	2
23	387279	(000000-006999) Cover, Chain	1
23	1056642	(007000-) Cover, Chain, Teal	1
24	16931	(000000-) Screw, Hex, M08 X 1.25 X 20, 8.8	3
25	32491	(000000-) Washer, Flt, .31 Std	3

Fig. 45 - Hopper Filter Box Group

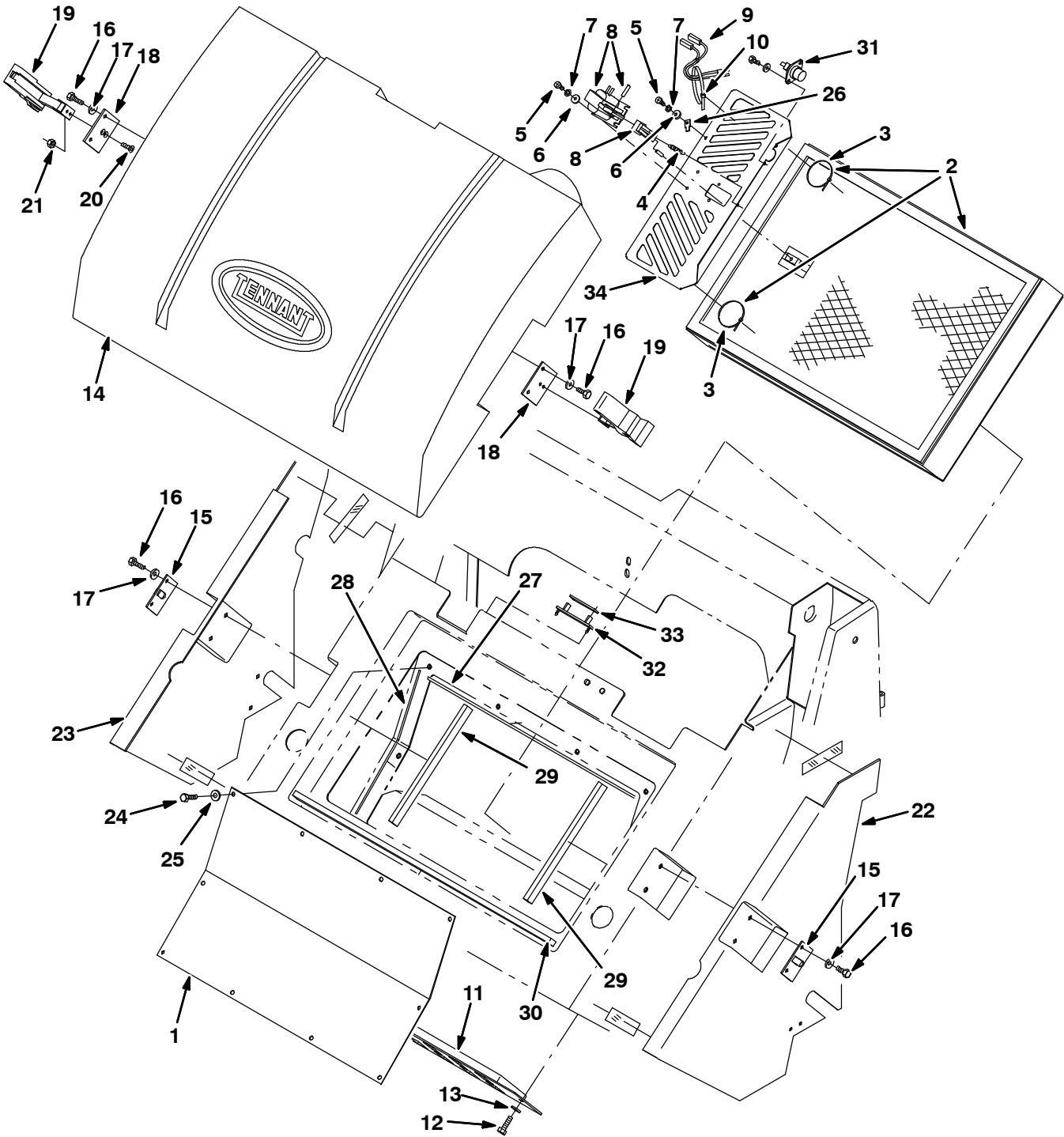


Fig. 45 - Hopper Filter Box Group

Ref.	Tennant Part No.	Machine Serial Number	Description	Qty.
1	386989	(000000-006999)	Panel, Access	1
1	1056683	(007000-)	Panel, Access, Iron Gray	1
▽ 2	375213	(000000-)	Kit, Ci, Fltr, [8300]	1
▲ 3	49266	(000000-)	Tie, Cable, Nyl, 07.3L .19W 1.8MaxD	2
4	1045426	(000000-)	Spring, Extn, 0.43OD 0.05Wir 01.4L	1
5	49697	(000000-)	Screw, Pan, M04 X 0.7 X 10, Ss	5
6	19065	(000000-)	Washer, Flt, #08	5
7	32978	(000000-)	Washer, Lock, Int, #08	5
8	379891	(000000-)	Solenoid, Filter Shaker	1
9	383835	(000000-)	Harness, Solenoid, Shagr, [6200]	1
10	49266	(000000-)	Tie, Cable, Nyl, 07.3l .19w 1.8 Max D	1
11	386919	(000000-006999)	Panel Wldt, Perma-Filter	1
11	1056682	(007000-)	Panel Wldt, Perma-Filter, Iron Gray	1
12	16931	(000000-)	Screw, Hex, M08 X 1.25 X 20, 8.8	2
13	32491	(000000-)	Washer, Flt, .31 Std	2
14	386463	(000000-006999)	Cover, Hopper	1
14	1056436	(007000-)	Cover, Hppr, Teal	1
15	387284	(000000-006999)	Plate, Latch, Upper	2
15	1056521	(007000-)	Plate, Latch, Upper, Iron Gray	2
16	87308	(000000-)	Screw, Hex, M06 X 1.0 X 12, 8.8	8
17	32490	(000000-)	Washer, Flt, .25 Std	8
18	387283	(000000-006999)	Plate, Latch, Lower	2
18	1056520	(007000-)	Plate, Latch, Lower, Iron Gray	2
19	360824	(000000-)	Latch	2
20	360826	(000000-)	Screw, Flat, M05 X 0.8 X 16, 10.9	4
21	06549	(000000-)	Nut, Hex, Lock, M05 X 0.8, NI	4
22	387542	(000000-006999)	Kit, Panel, Lh	1
22	9006963	(007000-)	Panel Kit, Lh, Teal	1
23	387543	(000000-006999)	Kit, Panel, Rh	1
23	9006964	(007000-)	Panel Kit, Rh, Teal	1
24	87308	(000000-)	Screw, Hex, M06 X 1.0 X 12, 8.8	10
25	32483	(000000-)	Washer, Flt, .25 Sae	10
26	68106	(000000-)	Terminal, Qdc, [.25m, Tab ,]	1
27	387384	(000000-)	Seal, Horiz	2
28	387383	(000000-)	Seal, Vertical	2
29	387385	(000000-)	Spacer, Fltr, Vertical	2
30	387386	(000000-)	Spacer, Fltr, Horiz	1
31	87546	(000000-)	Thermostat	1
32	386808	(000000-)	Clamp, Ribbon Cable	1
33	386809	(000000-)	Clamp, Ribbon Cable, Hold-Down	1
34	387404	(000000-)	Angle, Mtg, Fltr Shaker	1

Fig. 46 - Sweeper Vacuum Fan Group

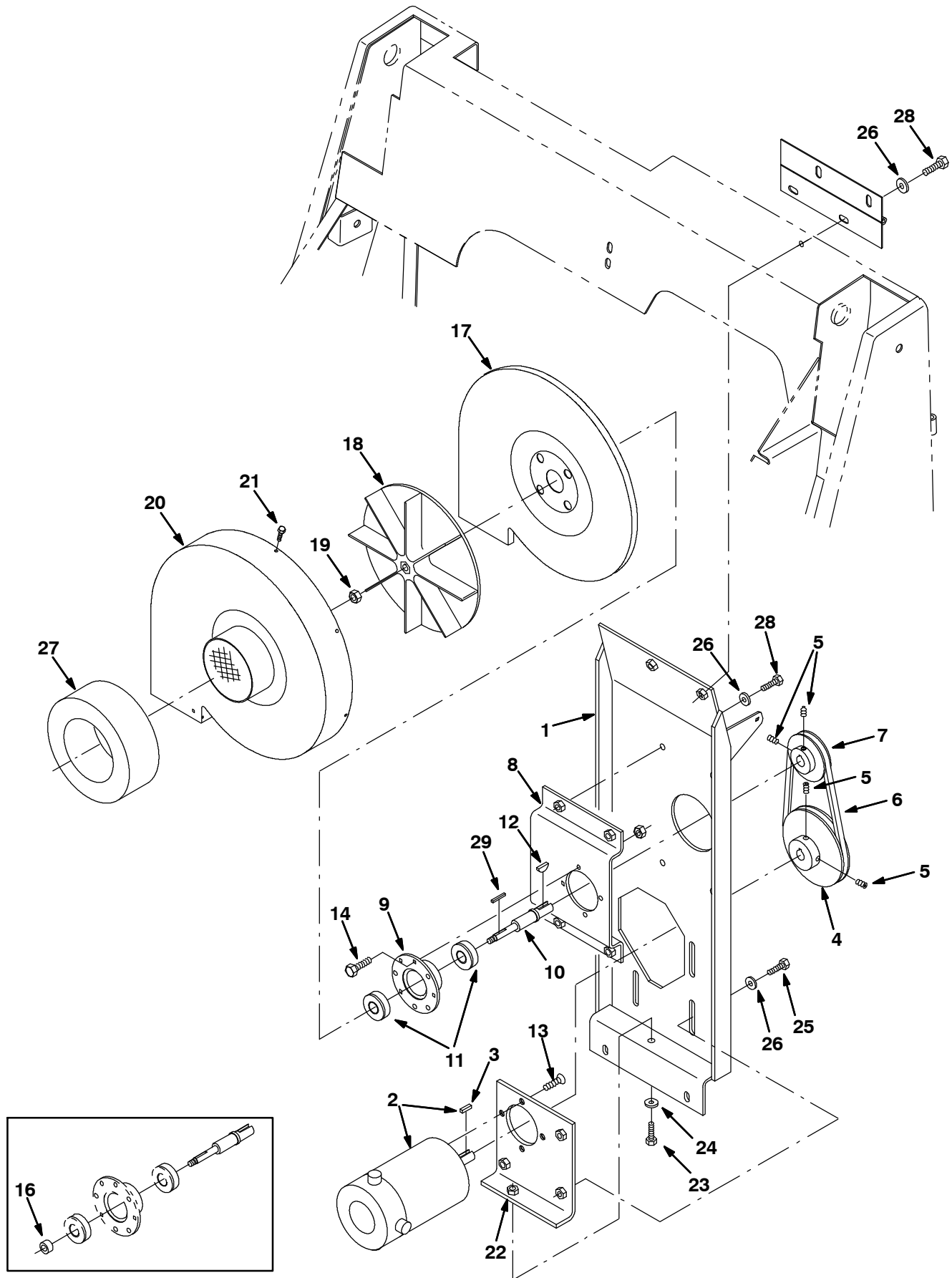


Fig. 46 - Sweeper Vacuum Fan Group

Ref.	Tennant Part No.	Machine Serial Number	Description	Qty.	
1	386686	(000000-006999)	Plate Wldt	1	
1	1056393	(007000-)	Plate Wldt, Iron Gray	1	
2	222409	(000000-003581)	Motor, Ele, 36Vdc (See Breakdown) (Repl. by 374201)	1	
2	374201	(003582-)	Motor, Ele, 36Vdc 0.75 Hp 2500Rpm (See Breakdown)	1	
3	00912	(000000-)	Key, Sq, 0.19 X 0.19, 01.00l	1	
4	1057515	(000000-)	Sheave, 01grv, 04.7pd 0.75b, Gray [3v]	1	
5	39338	(000000-)	Screw, Set, .31-18 X 0.50, Soc	4	
6	360686	(000000-)	Belt, V, [3v] 33.5l	1	
7	360181	(000000-)	Sheave, [3v], 1grv, 02.6pd 0.63b	1	
8	387081	(000000-006999)	Bracket	1	
8	1056686	(007000-)	Bracket, Iron Gray	1	
▽	387387	(000000-)	Bearing Assy	1	
▲	9	41561	(000000-)	Bushing Assy, Flng, 4 Hole, 1.57b, Stl	1
▲	10	387376	(000000-)	Shaft	1
▲	11	32525	(000000-)	Bearing, Ball, 0.67b 1.57d 0.47w	2
12	00500-10	(000000-)	Key, Woodruff, 0.19 0.75, [ASA#0606]	1	
13	32129	(000000-)	Screw, Flat, M08 X 1.25 X 20, 10.9	4	
14	06943	(000000-)	Screw, Hex, M06 X 1.0 X 20, 8.8	4	
15	08708	(000000-)	Nut, Hex, Lock, M06 X 1.0, NI	4	
16	10362	(000000-007072)	Spacer	1	
17	36593	(000000-006999)	Housing, Vacfan, Rear, 9.0d, Impeller	1	
17	1056676	(007000-)	Housing, Vacfan, Rear, 9.0d, Impeller	1	
18	74454	(000000-)	Impeller, 9.00d X 1.40w X 0.376b	1	
19	87299	(000000-007072)	Nut, Hex, Flexlock, .31-24	1	
19	71244	(007073-)	Nut, Hex, Flexlock, .38-24	1	
20	387349	(000000-)	Cover, Vac Fan, W/ Label, [8300]	1	
21	87838	(000000-)	Screw, Hex, #06-20 X 0.50, Fmg, [Ab]	9	
22	387082	(000000-006999)	Angle	1	
22	1056687	(007000-)	Angle, Iron Gray	1	
23	33401	(000000-)	Screw, Hex, M8 X 1.25 X 50, Ss, Fl	1	
24	32492	(000000-)	Washer, Flt, .38 Std	1	
25	39277	(000000-)	Screw, Hex, M08 X 1.25 X 25, 8.8	3	
26	32491	(000000-)	Washer, Flt, .31 Std	11	
27	387408	(000000-)	Seal, Vac Fan	2	
28	16931	(000000-)	Screw, Hex, M08 X 1.25 X 20, 8.8	8	
29	00954	(000000-)	Key, Sq, 0.12 X 0.12, 01.00l	1	

Fig. 47 - Hydraulic Power Unit and Solenoid Valve Group

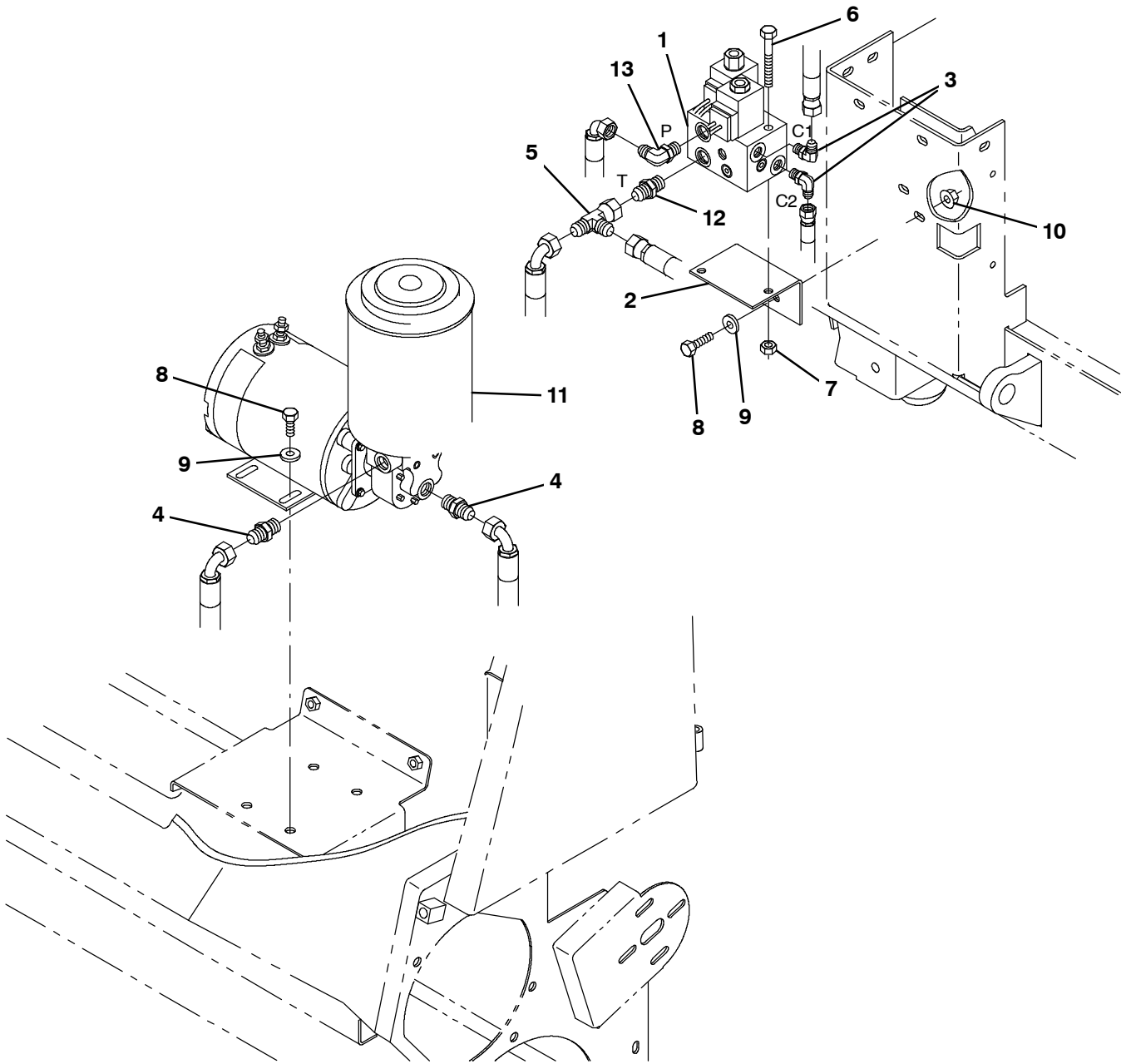
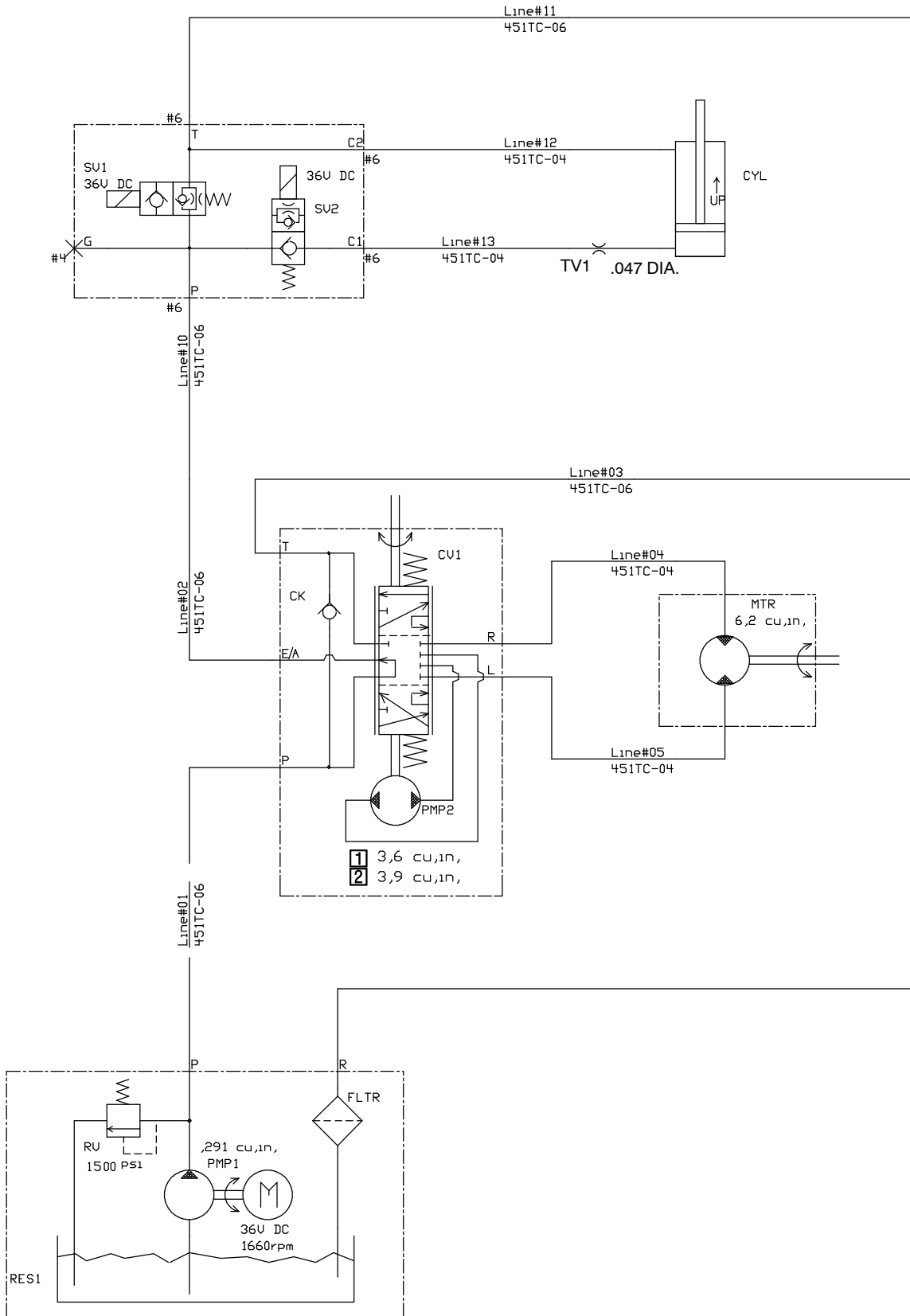


Fig. 47 - Hydraulic Power Unit and Solenoid Valve Group

Ref.	Tennant Part No.	Machine Serial Number	Description	Qty.
1	386705	(000000-004772)	Valve, Hyd, Solenoid (See Breakdowns) Replaced by 1049212	1
1	1049212	(004773-	Valve, Cntrl, Hyd, Solenoid, 36Vdc 06Gpm (See Breakdowns)	1
2	387351	(000000-006999)	Angle	1
2	1056523	(007000-	Angle, Iron Gray	1
3	77097	(000000-	Fitting, Hyd, E90, Jm04/Om04	2
4	56690	(000000-	Fitting, Hyd, Str, Jm06/Om06	3
5	42215	(000000-	Fitting, Hyd, Tee, Jf06/Jm06/Jm06, Run	1
6	06958	(000000-	Screw, Hex, M08 X 1.25 X 80, 8.8	2
7	08709	(000000-	Nut, Hex, Lock, M08 X 1.25,NI	2
8	16931	(000000-	Screw, Hex, M08 X 1.25 X 20, 8.8	6
9	32491	(000000-	Washer, Flt, .31 Std	6
10	07791	(000000-	Nut, Hex, Flng, M08 X 1.25	2
11	386704	(000000-	Powerunit, Hyd, 36Vdc (See Breakdowns)	1
12	56690	(000000-	Fitting, Hyd, Str, Jm06/Om06	1
13	56820	(000000-	Fitting, Hyd, E90, Jm06/Om06	3

Fig. 48 - Hydraulic Schematic



- ① Serial number (000000-003713)
- ② Serial number (003714-)

Fig. 49 - Hydraulic Hose Group

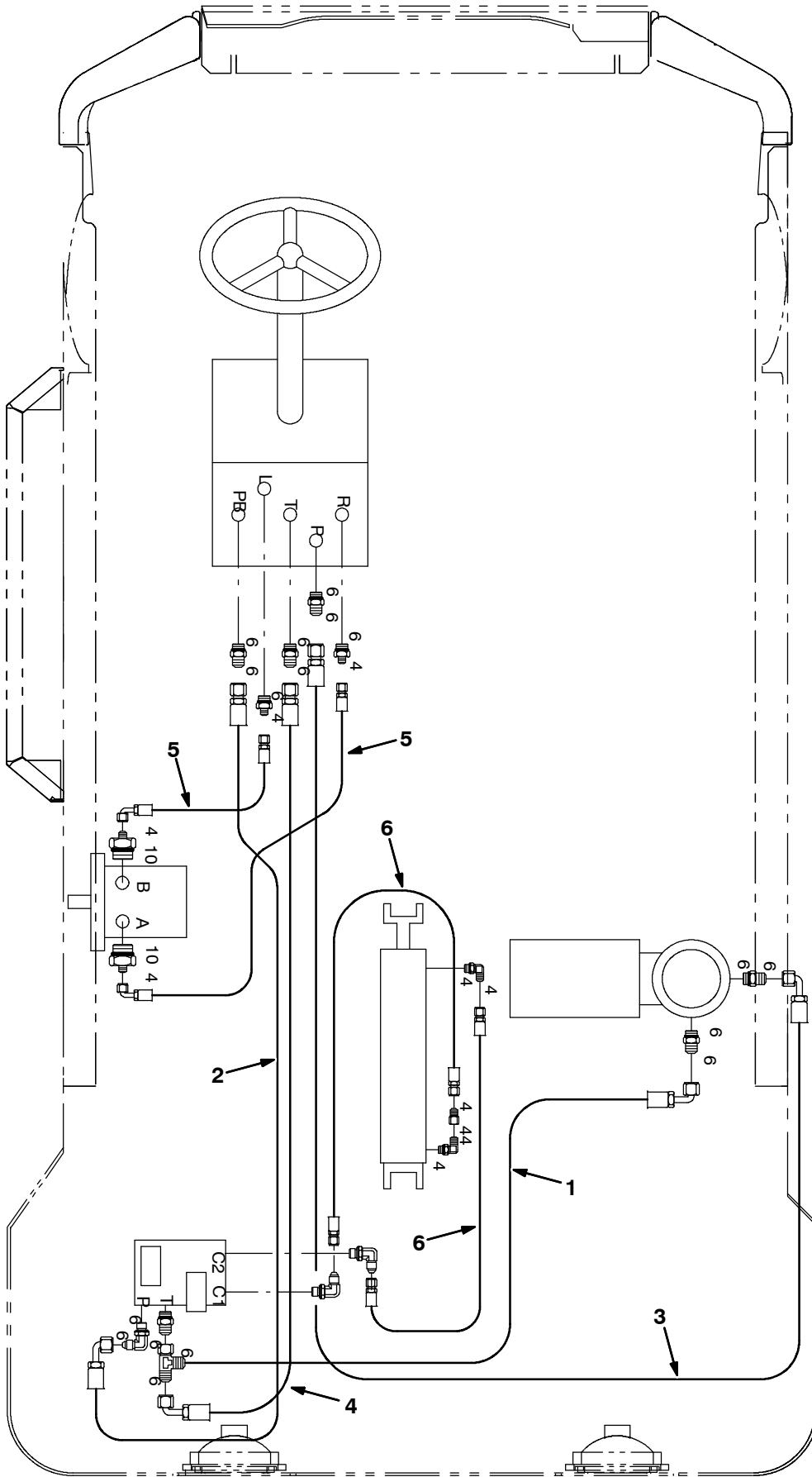


Fig. 49 - Hydraulic Hose Group

Ref.	Tenant Part No.	Machine Serial Number	Description	Qty.
1	361043	(000000-) Hose, Hyd,Med06, Jf06str /Jf06e90 , 26.0	1
2	387281	(000000-) Hose, Hyd,Tc 04, Jf04str /Jf04e90 , 20.0	1
3	386711	(000000-) Hose, Hyd, Tc 06, Jf str/E90 , 48.0l	1
4	387282	(000000-) Hose, Hyd,Tc 06, Jf06str /Jf06e90 , 24.0	1
5	381867	(000000-) Hose, Hyd,Tc 04, Jf04str /Jf04e90 , 30.0	2
6	1036903	(000000-) Hose, Hyd, Tc04, Jf04Str/Jf04Str, 025.0	2

Fig. 50 - Electrical Control Box Circuit Breaker Group

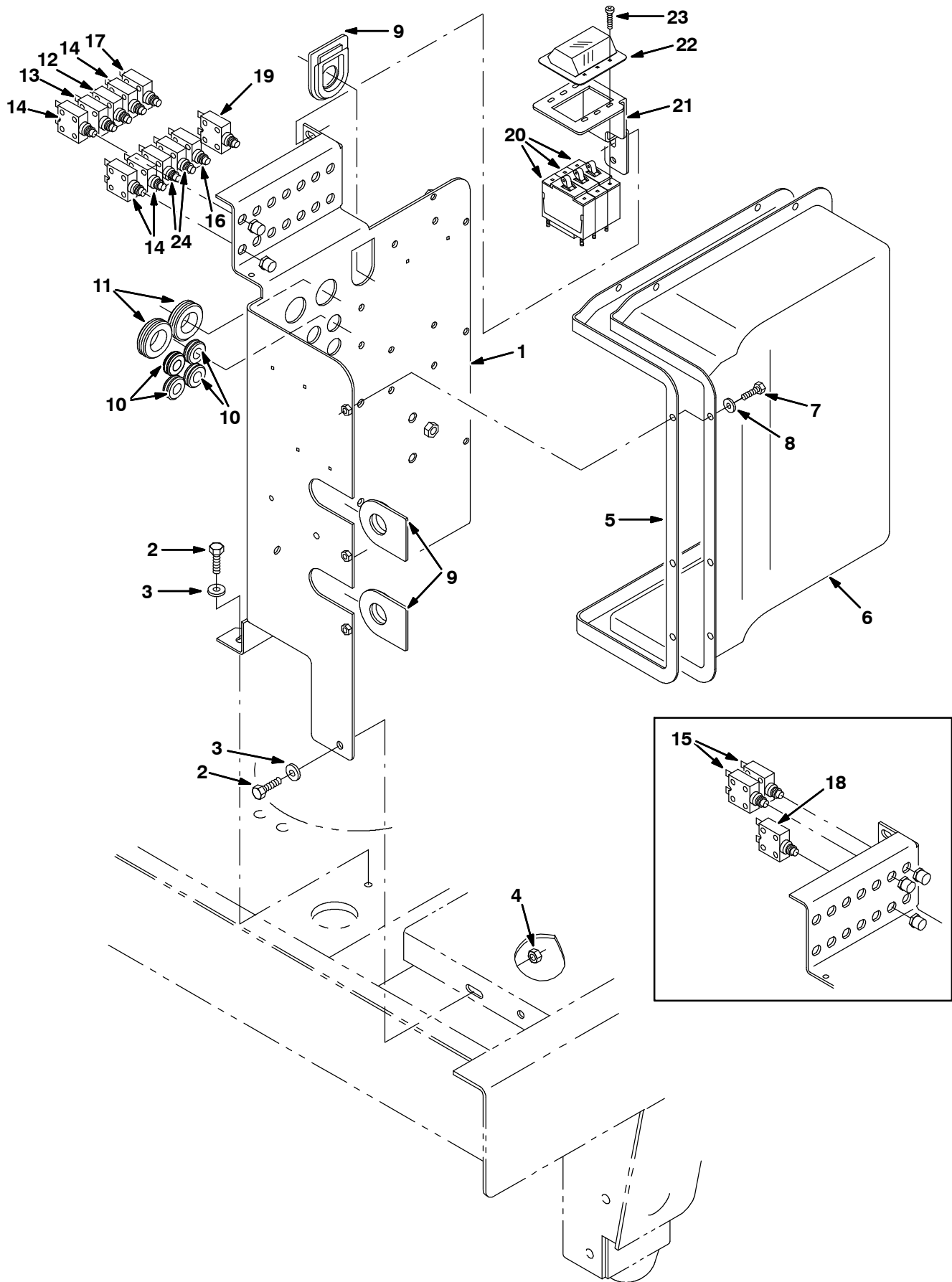


Fig. 50 - Electrical Control Box Circuit Breaker Group

Ref.	Tennant Part No.	Machine Serial Number	Description	Qty.
1	387453	(000000-006999)	Plate, Controlbox	1
1	1056486	(007000-	Plate, Controlbox, Iron Gray	1
2	16931	(000000-	Screw, Hex, M08 X 1.25 X 20, 8.8	3
3	32491	(000000-	Washer, Flt, .31 Std	3
4	08709	(000000-	Nut, Hex, Lock, M08 X 1.25,NI	1
5	386127	(000000-	Gasket, Cover, Controller	1
6	386128	(000000-	Cover, Controlbox	1
7	09244	(000000-	Screw, Hex, M05 X 0.8 X 16, 8.8	8
8	01683	(000000-	Washer, Flt, #10 Ss	8
9	386563	(000000-	Grommet, Rbr, 1.0b	3
10	10632-17	(000000-	Grommet, Rbr, 0.50id, F/ 0.8h, .12matl	4
11	10632-14	(000000-	Grommet, Rbr, 1.00id, F/ 1.4h, .12matl	2
12	383725	(000000-	Circuitbreaker,30.0a	1
13	383723	(000000-	Circuitbreaker, 20.0a	1
14	383722	(000000-	Circuitbreaker, 15.0a	4
15	383728	(000000-003545)	Circuitbreaker, 50.0a	2
16	383724	(000000-	Circuitbreaker, 25.0a	1
17	383721	(000000-	Circuitbreaker, 10.0a	1
18	383728	(000000-003545)	Circuitbreaker, 50.0a (Center Brush Option)	1
19	383727	(000000-	Circuitbreaker, 40.0a (Power Steering Option)	1
20	387636	(003546-	Circuitbreaker, 40a, (Max Pro™ 1200 Disk)	3
20	387636	(003546-	Circuitbreaker, 40a, (Max Pro™ 1000 Disk W/Std Motor)	2
20	387637	(003546-	Circuitbreaker, 45a, (Max Pro™ 1000 Disk W/Hd Motor)	2
20	387637	(003546-	Circuitbreaker, 45a, (Max Pro™ 1000 Cylindrical)	2
20	387637	(003546-	Circuitbreaker, 45a, (Max Pro™ 1200 Cylindrical)	2
21	387634	(003546-	Bracket, Mtg, Circuitbreaker, [Hi-Mag]	1
22	387640	(003546-	Boot, Protector, Circuitbreaker	1
23	19320	(003546-	Screw, Pan, #06-32X0.38, 1	6
24	383723	(000000-003545)	Circuitbreaker, 20.0a [Resetable]	2
24	383725	(003546-	Circuitbreaker, 30.0a, Resetable	2

Fig. 51 - Electrical Control Box Contactor Group (000000-003545)

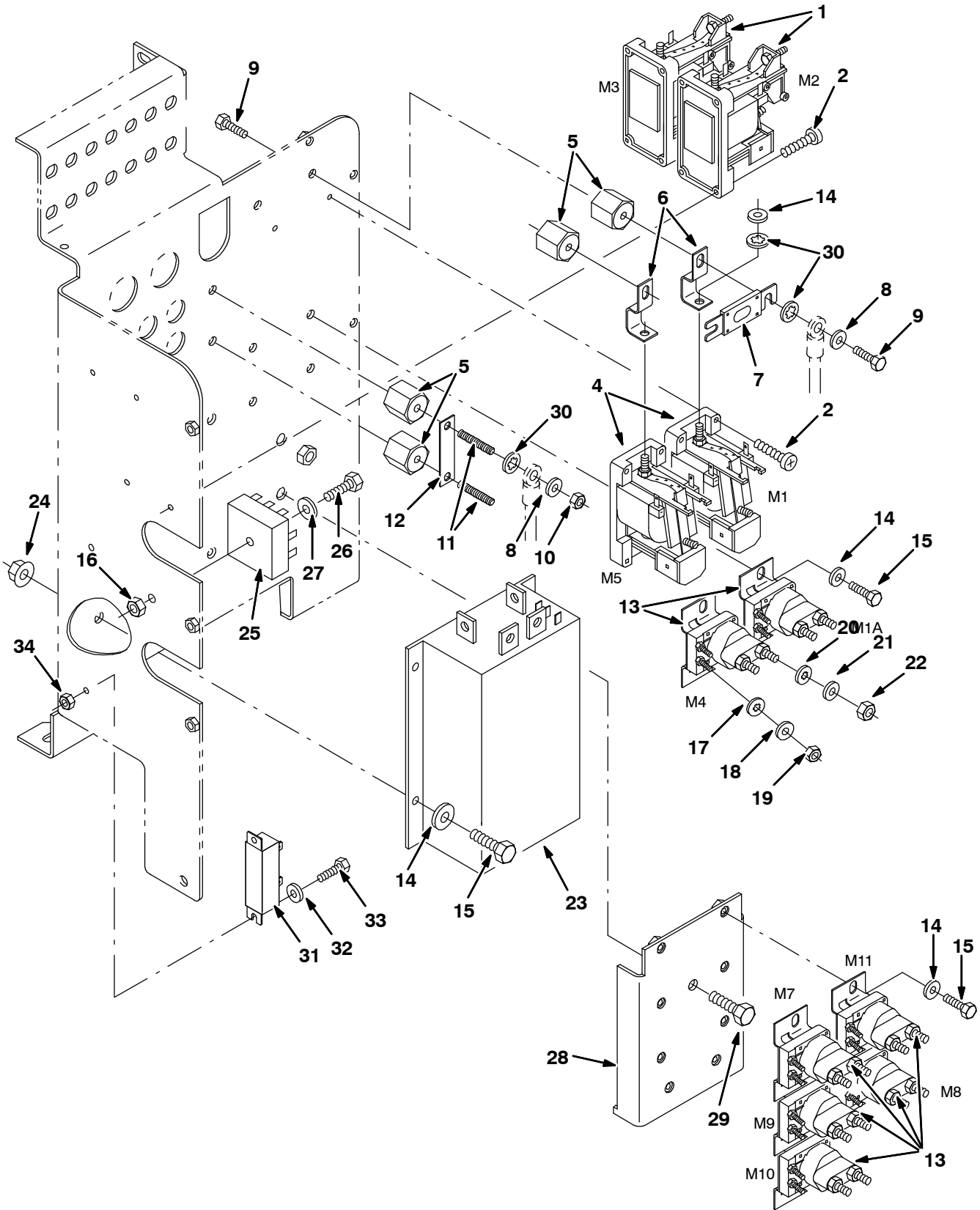


Fig. 51 - Electrical Control Box Contactor Group (000000-003545)

Ref.	Tennant Part No.	Machine Serial Number	Description	Qty.
1	87482	(000000-003545)	Contactactor, 36vdc, Spdt	2
2	71026	(000000-003545)	Screw, Hex, M04 X 0.7 X 20, Fmg	8
3	02850	(000000-003545)	Nut, Hex, Lock, M04 X 0.7, NI	8
4	86375	(000000-003545)	Contactactor, 36vdc, [Spno]	2
5	76062	(000000-003545)	Insulator, Panel	4
6	87507	(000000-003545)	Busbar, Fuse, .6 0.6w 0.8h 2.0l	2
7	386348	(000000-003545)	Fuse, 200amp	1
8	32490	(000000-003545)	Washer, Flt, .25 Std	4
9	19314	(000000-003545)	Screw, Hex, .25-20 X 0.38, 5	6
10	19312	(000000-003545)	Nut, Hex, Std, .25-20	2
11	41702	(000000-003545)	Rod, Thrd, Full, .25-20 01.5l	2
12	87483	(000000-003545)	Busbar, .06 0.6w 2.5l 2/.28h	1
13	386810	(000000-003545)	Contactactor, 36vdc	7
14	32483	(000000-003545)	Washer, Flt, .25 Sae	20
15	06942	(000000-003545)	Screw, Hex, M06 X 1.0 X 16, 8.8	14
16	08708	(000000-003545)	Nut, Hex, Lock, M06 X 1.0, NI	7
17	32980	(000000-003545)	Washer, Lock, Int, #10	14
18	19066	(000000-003545)	Washer, Flt, #10	14
19	01713	(000000-003545)	Nut, Hex, Std, #10-32, 2	14
20	32984	(000000-003545)	Washer, Lock, Int, .31	14
21	39349	(000000-003545)	Washer, Flt, .31 Sae	14
22	01715	(000000-003545)	Nut, Hex, Std, .31-24	14
23	386303	(000000-003545)	Controller, Motor, 36vdc, 1205	1
24	07790	(000000-003545)	Nut, Hex, Flng, M06 X 1.0	4
25	81922	(000000-003545)	Module	1
26	06946	(000000-003545)	Screw, Hex, M06 x 1.0 x 35, 8.8	1
27	32491	(000000-003545)	Washer, Flt, .31 Std	1
28	387452	(000000-003545)	Plate, Mtg, Contactactor	1
29	41342	(000000-003545)	Screw, Hex, M08 X 1.25 X 40, 8.8	2
30	32982	(000000-003545)	Washer, Lock, Int, .25	9
31	87349	(000000-003545)	Resistor, 040.00ohm, 40watt	1
32	01683	(000000-003545)	Washer, Flt, #10 Ss	2
33	12312	(000000-003545)	Screw, Hex, M05 X 0.8 X 12, 8.8	2
34	06549	(000000-003545)	Nut, Hex, Lock, M05 X 0.8, NI	2

Fig. 52 - Electrical Control Box Contactor Group (003546-)

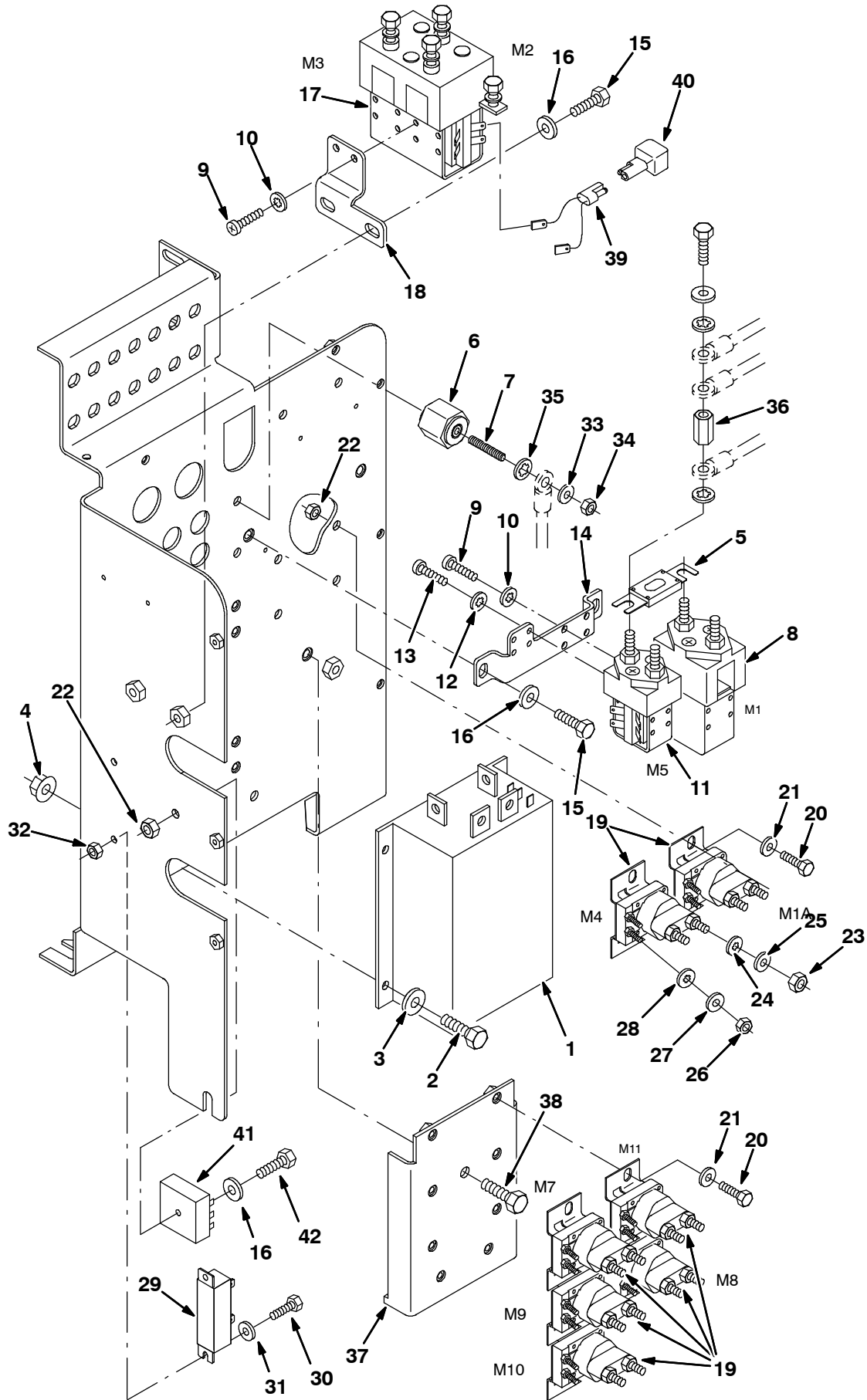


Fig. 52 - Electrical Control Box Contactor Group (003546-)

Ref.	Tennant Part No.	Machine Serial Number	Description	Qty.
1	386303	(003446-) Controller, Motor, 36vdc400A	1
2	06942	(003446-) Screw, Hex, M 6 X 1.0 X 16, 8.8	4
3	32483	(003446-) Washer, Flat, 0.25 Sae	4
4	07790	(003446-) Nut, Hex, Flng, M06 X 1.0	4
5	386348	(003446-) Fuse, 200amp	1
6	76062	(003446-) Insulator, Panel & Switchboard	1
7	41702	(003446-) Rod, Thrd, Full, .25-20 01.5l	1
8	1007337	(003446-) Contactor, 36vdc, 200a, Spst	1
9	06931	(003446-) Screw, Pan, M 5 X 0.8 X 6, 4.8	6
10	07514	(003446-) Washer, Lock, Int, #10, Ss	6
11	387639	(003446-) Contactor, 36vdc, 100a, Spst	1
12	02938	(003446-) Washer, Lock, Int, #08, Ss	4
13	06925	(003446-) Screw, Pan, M 4 X 0.7 X 6, 4.8	4
14	1007344	(003446-006999) Bracket, Mtg, Controller, Sgl	1
14	1056488	(007000-) Bracket, Mtg, Controller, Sgl, Iron Gray	1
15	12274	(003446-) Screw, Hex, M 6 X 1.0 X 20, NI	4
16	32491	(003446-) Washer, Flat, 0.31 Std	5
17	1007349	(003446-) Contactor, 36vdc, 200a, Dpdt	1
18	1007353	(003446-006999) Bracket, Mtg, Relay	1
18	1056489	(007000-) Bracket, Mtg, Relay, Iron Gray	1
19	386810	(003446-) Relay, 36vdc, 100a, Sp N/O [White]	7
20	06942	(003446-) Screw, Hex, M 6 X 1.0 X 16, 8.8	8
21	32483	(003446-) Washer, Flat, 0.25 Sae	8
22	08708	(003446-) Nut, Hex, Lock, M 6 X 1.0, NI	5
23	01715	(003446-) Nut, Hex, Std, .31-24	4
24	32984	(003446-) Washer, Lock, Int, .31	4
25	39349	(003446-) Washer, Flat, 0.31 Sae	4
26	01713	(003446-) Nut, Hex, Std, #10-32, 2	4
27	19066	(003446-) Washer, Flt, #10	4
28	32980	(003446-) Washer, Lock, Int, #10	4
29	87349	(003446-) Resistor, 040.00 Ohm, 40watt	1
30	12312	(003446-) Screw, Hex, M 5 X 0.8 X 12, 8.8	2
31	01683	(003446-) Washer, Flat, #10 Ss	2
32	06549	(003446-) Nut, Hex, Lock, M 5 X 0.8, NI	2
33	32490	(003446-) Washer, Flat, 0.25 Std	1
34	19312	(003446-) Nut, Hex, Std, .25-20	1
35	32982	(003446-) Washer, Lock, Int, .25	1
36	387648	(003446-) Nut, Hex, Cplg, M08X1.25	1
37	387452	(003446-006999) Plate, Mtg, Contactor	1
37	1056485	(007000-) Plate, Mtg, Contactor, Iron Gray	1
38	41342	(003446-) Screw, Hex, M08 X 1.25 X 40, 8.8	2
39	370156	(003446-) Harness. Switch, Key, Diode	2
40	222290	(003446-) Diode, Ele, Plug	2
41	81922	(003446-) Timer, 36vdc, 5a [25hz Pwm, 70%Duty]	1
42	06946	(003446-) Screw, Hex, M6 X 1.00 X 35, 8.8	1

Fig. 53 - Electrical Control Box Wires Group (000000-003545)

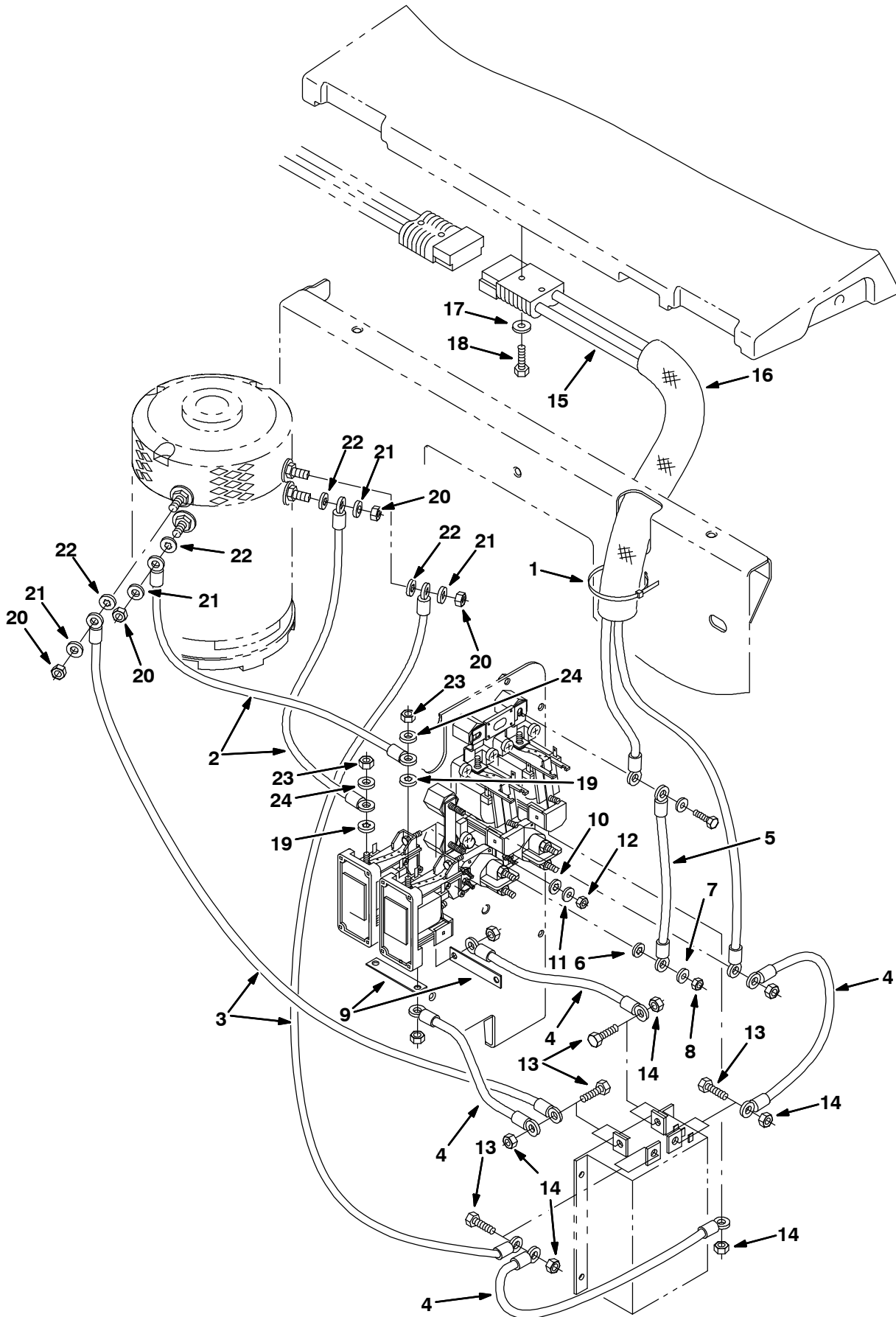


Fig. 53 - Electrical Control Box Wires Group (000000-003545)

Ref.	Tennant Part No.	Machine Serial Number	Description	Qty.
1	32815	(000000-003545)	Tie, Cable, Nyl, 28.5l .50w 8.0 Max D	4
2	71529	(000000-003545)	Wire, 04ga 32.0l Blk .31ring /.31ring	1
3	386804	(000000-003545)	Wire Assy, 02ga 27.0l Blk .34h /.34h	2
4	86393	(000000-003545)	Wire, 04ga 09.0l Blk .34ring /.28ring	4
5	15846	(000000-003545)	Wire, 06ga 11.0l Blk .34ring /.28ring	1
6	32984	(000000-003545)	Washer, Lock, Int, .31	4
7	39348	(000000-003545)	Washer, Flat, 1.50 Std Hard	4
8	01715	(000000-003545)	Nut, Hex, Std, .31-24	4
9	87483	(000000-003545)	Busbar, .06 0.6w 2.5l 2/.28h	2
10	07514	(000000-003545)	Washer, Lock, Int, #10, Ss	4
11	19066	(000000-003545)	Washer, Flt, #10	4
12	01713	(000000-003545)	Nut, Hex, Std, #10-32, 2	4
13	16931	(000000-003545)	Screw, Hex, M08 X 1.25 X 20, 8.8	4
14	08709	(000000-003545)	Nut, Hex, Lock, M08 X 1.25, NI	4
15	386610	(000000-003545)	Harness, Battery, Connecting	1
16	31647	(000000-003545)	Sleeve, Nyl, #15 14.0l	1
17	01684	(000000-003545)	Washer, Flt, .25 Ss	2
18	33930	(000000-003545)	Screw, Hex, M06 X 1.0 X 40, Ss	2
19	32982	(000000-003545)	Washer, Lock, Int, .25	2
20	39311	(000000-003545)	Nut, Hex, Std, M08 X 1.25	4
21	32490	(000000-003545)	Washer, Flt, .25 Std	4
22	32988	(000000-003545)	Washer, Lock, Int, .38	2
23	41359	(000000-003545)	Nut, Hex, Std, M06 X 1.0	2
24	32483	(000000-003545)	Washer, Flt, .25 Sae	4

Fig. 54 - Electrical Control Box Wires Group (003546-)

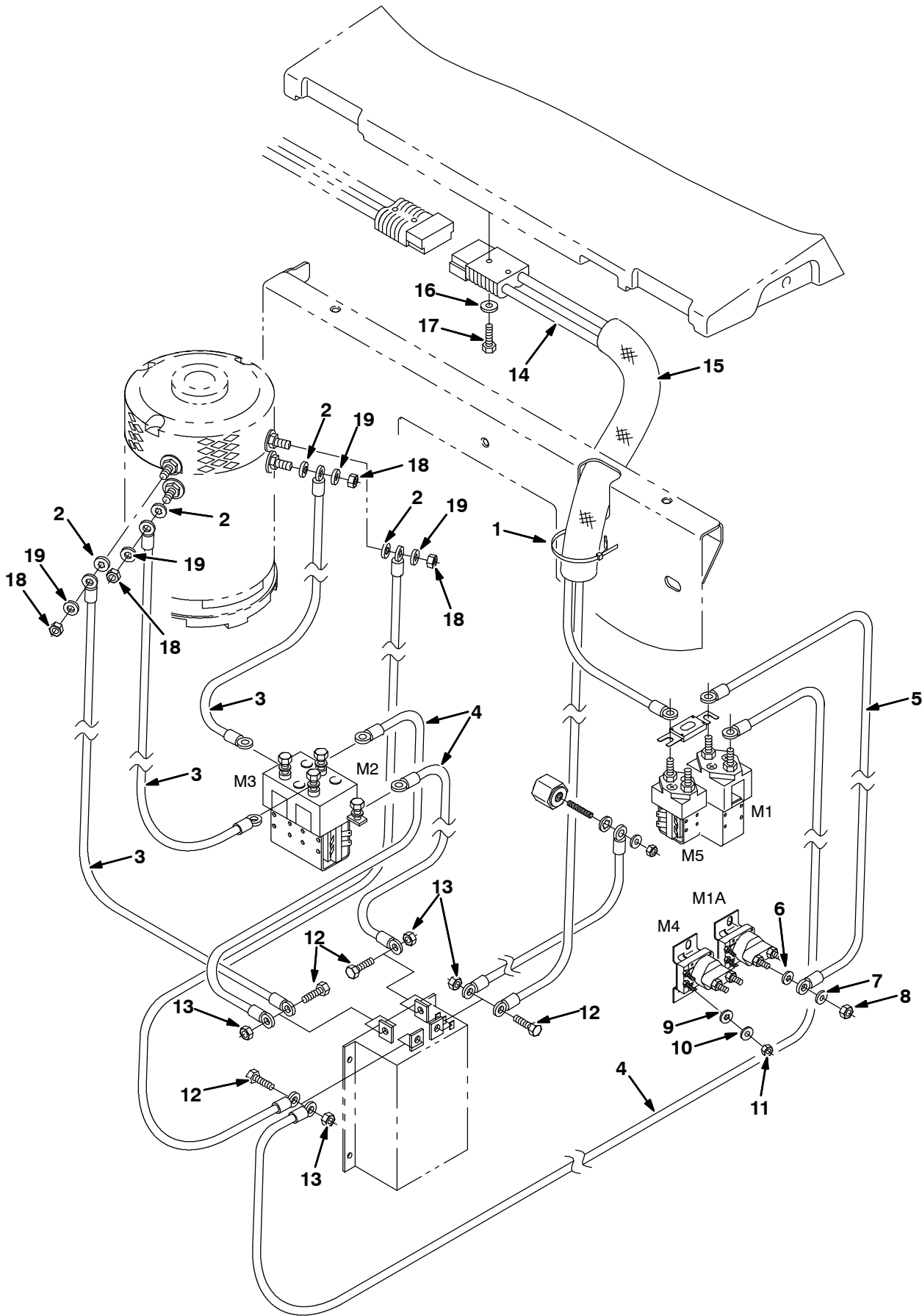


Fig. 54 - Electrical Control Box Wires Group (003546-)

Ref.	Tennant Part No.	Machine Serial Number	Description	Qty.
1	32815	(003546-) Tie, Cable, Nyl, 28.5l .50w 8.0 Max D	4
2	32988	(003546-) Washer, Lock, Int, .38	2
3	386804	(003546-) Wire Assy, 02ga 27.0l Blk .34h /.34h	4
4	387641	(003546-) Wire Assy, 02ga, 10.0l, Blk	4
5	63740	(003546-) Wire, 06Ga 09.0L Blk .34 Ring/.34 Ring	1
6	32984	(003546-) Washer, Lock, Int, .31	4
7	39348	(003546-) Washer, Flat, 1.50 Std Hard	4
8	01715	(003546-) Nut, Hex, Std, .31-24	4
9	07514	(003546-) Washer, Lock, Int, #10, Ss	4
10	19066	(003546-) Washer, Flt, #10	4
11	01713	(003546-) Nut, Hex, Std, #10-32, 2	4
12	16931	(003546-) Screw, Hex, M 8 X 1.25 X 20, 8.8	4
13	08709	(003546-) Nut, Hex, Lock, M 8 X 1.25 NI	4
14	386610	(003546-) Harness, Battery, Connecting	1
15	31647	(003546-) Sleeve, Nyl, #15 14.0l	1
16	01684	(003546-) Washer, Flat, 0.25 Ss	2
17	33930	(003546-) Screw, Hex, M 6 X 1.0 X 40, Ss	2
18	39311	(003546-) Nut, Hex, Std, M08 X 1.25	4
19	32490	(003546-) Washer, Flat, 0.25 Std	4

Fig. 55 - Electrical Circuit Board Group

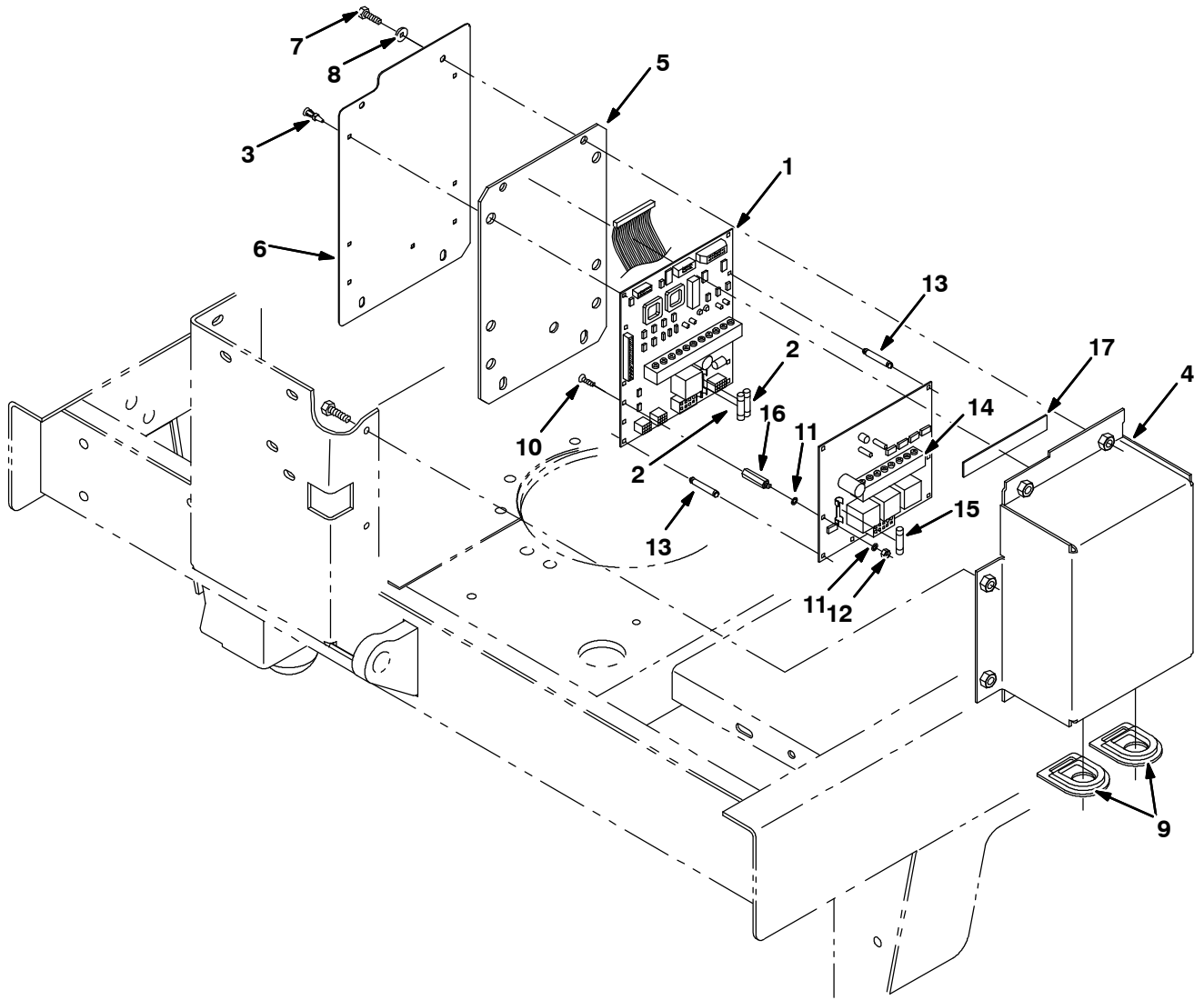
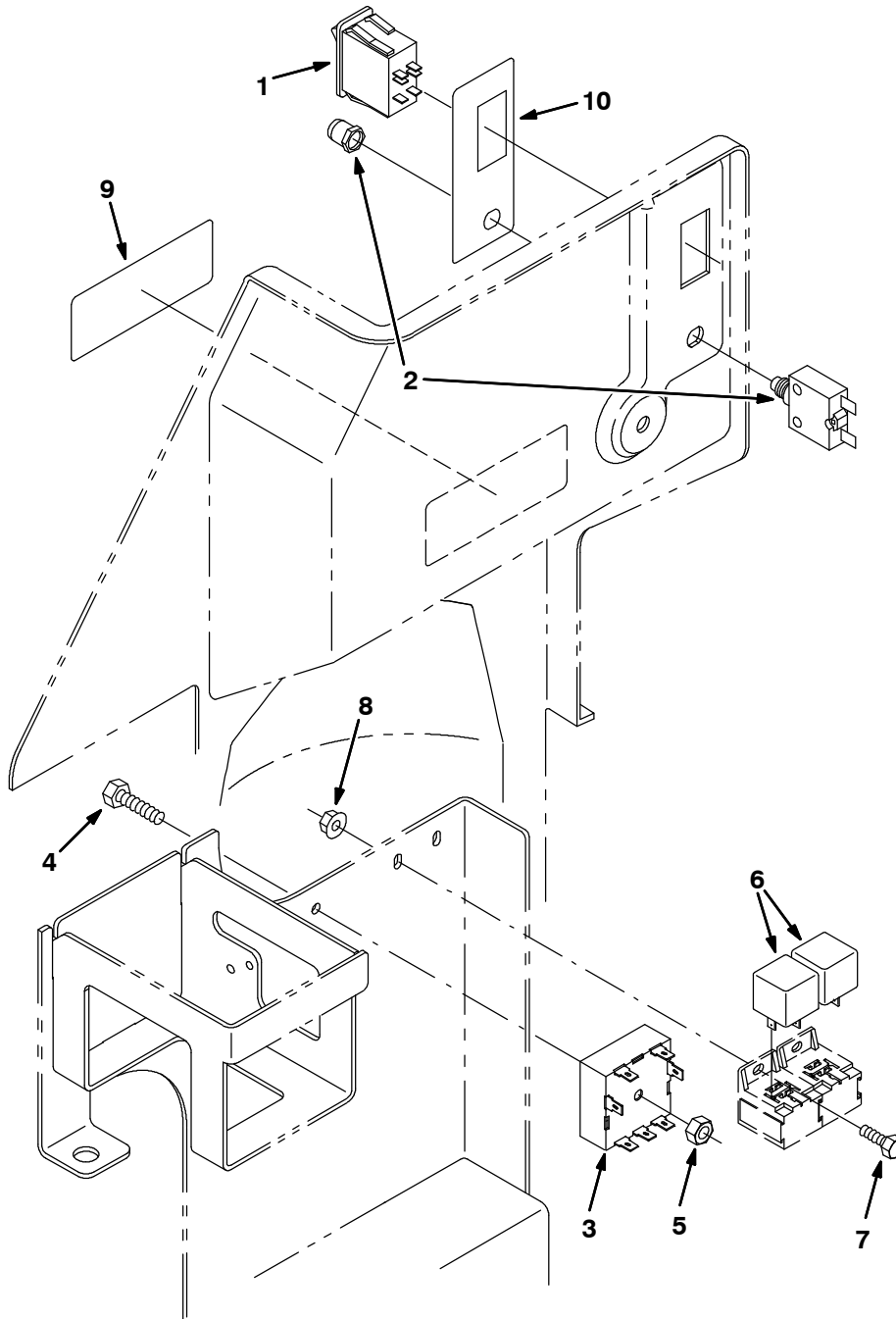


Fig. 55 - Electrical Circuit Board Group

	Ref.	Tennant Part No.	Machine Serial Number	Description	Qty.
▽	1	9008411	(000000-007093)	Circuitboard Assy Kit [7300/8300]	1
▲	2	603103000	(000000-007093)	Fuse, .20A, 3Ag, Slo-Blo	2
▽	1	1065190	(007094-)	Circuitboard Assy [7300/8300, Imp]	1
▲	2	603103000	(007094-)	Fuse, .20A, 3Ag, Slo-Blo	2
	3	15840	(000000-)	Pin, Prong	7
	4	386922	(000000-006999)	Box, Circuitboard	1
	4	1056478	(007000-)	Box, Circuitboard, Iron Gray	1
	5	386921	(000000-)	Gasket	1
	6	386920	(000000-006999)	Cover	1
	6	1056477	(007000-)	Cover, Iron Gray	1
	7	06942	(000000-)	Screw, Hex, M06 X 1.0 X 16, 8.8	6
	8	32483	(000000-)	Washer, Flt, .25 Sae	4
	9	386563	(000000-)	Grommet, Rbr, 1.0b	2
	10	25538	(000000-)	Screw, Flat, #06-32 X 0.38, Al	2
	11	41401	(000000-)	Washer, Lock, Int, #06, Ss	4
	12	75939	(000000-)	Nut, Hex, Lock, #06-32, NI	2
	13	386307	(000000-)	Stand-Off, 1.25, Plstc	5
▽	14	386308	(000000-)	Circuitboard, Sweeper, [8300]	1
▲	15	45595	(000000-)	Fuse, .25d 10a 32vdc	1
	16	386806	(000000-)	Stand-Off, 1.25, Metal	2
	17	387529	(000000-)	Tape, Foam	1

STANDARD PARTS

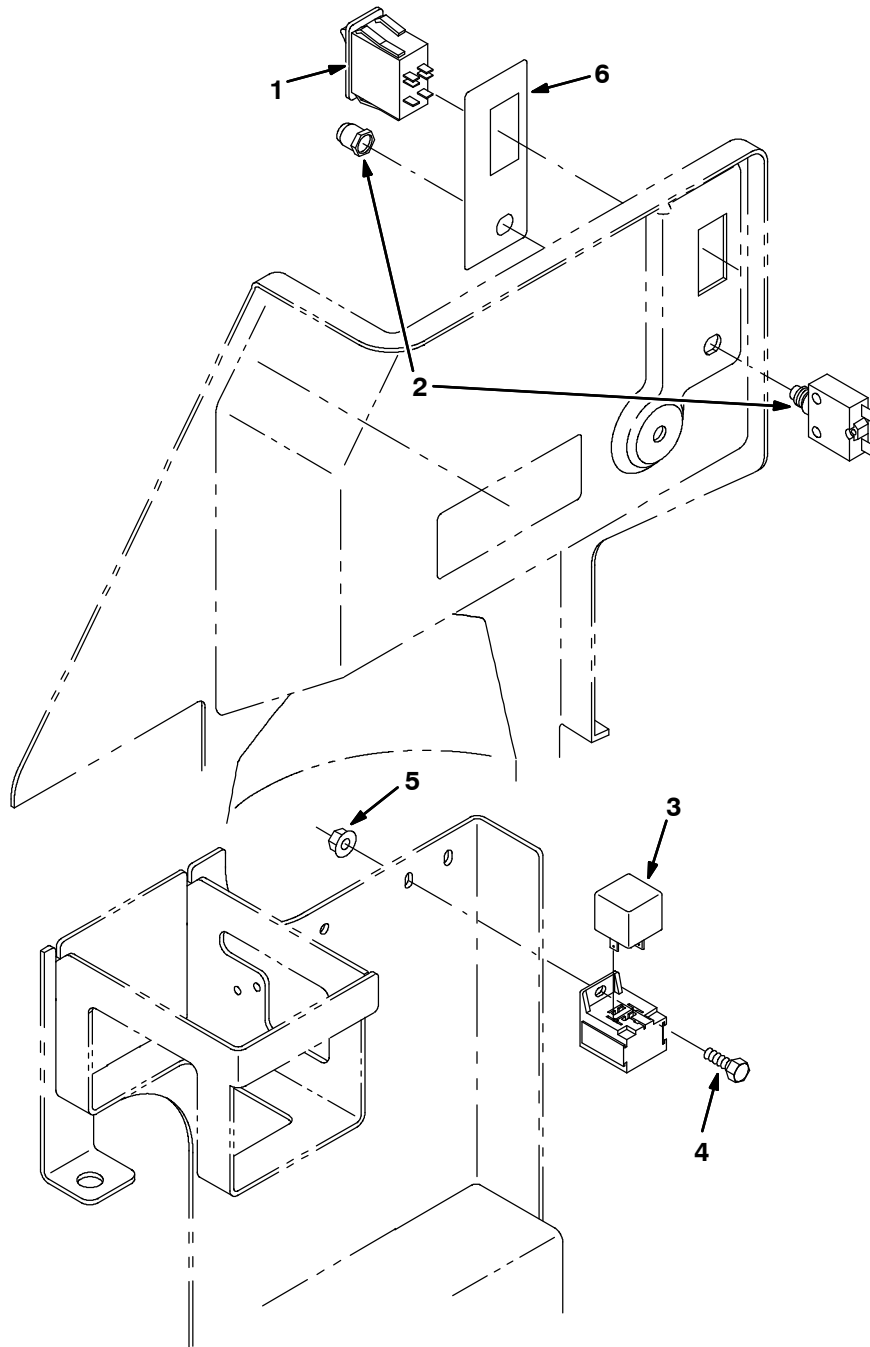
Fig. 56 - Electrical Group, FaST (000000-004791)



353307 - ALL

Ref.	Tenant Part No.	Machine Serial Number	Description	Qty.
1	377084	(000000-004791)	Switch, Rocker, 36vdc 05a Progressive	1
2	383721	(000000-004791)	Circuitbreaker, 10.0a	1
3	1028580	(000000-004791)	Timer, 9-41vdc, Recycling	1
4	06945	(000000-004791)	Screw, Hex, M6 X 1.0 X 30, 8.8	1
5	08708	(000000-004791)	Nut, Hex, Lock, M 6 X 1.0, NI	1
6	398526	(000000-004791)	Relay, 36vdc, 05a, Spdt N/O [Greenwich]	2
7	09244	(000000-004791)	Screw, Hex, M5 X 0.8 X 16, 8.8	2
8	07789	(000000-004791)	Nut, Hex, Flng, M5 X 0.8	2
9	1005416	(000000-004791)	Label, Fast	1
10	1011276	(000000-004791)	Label, Switch, Fast	1

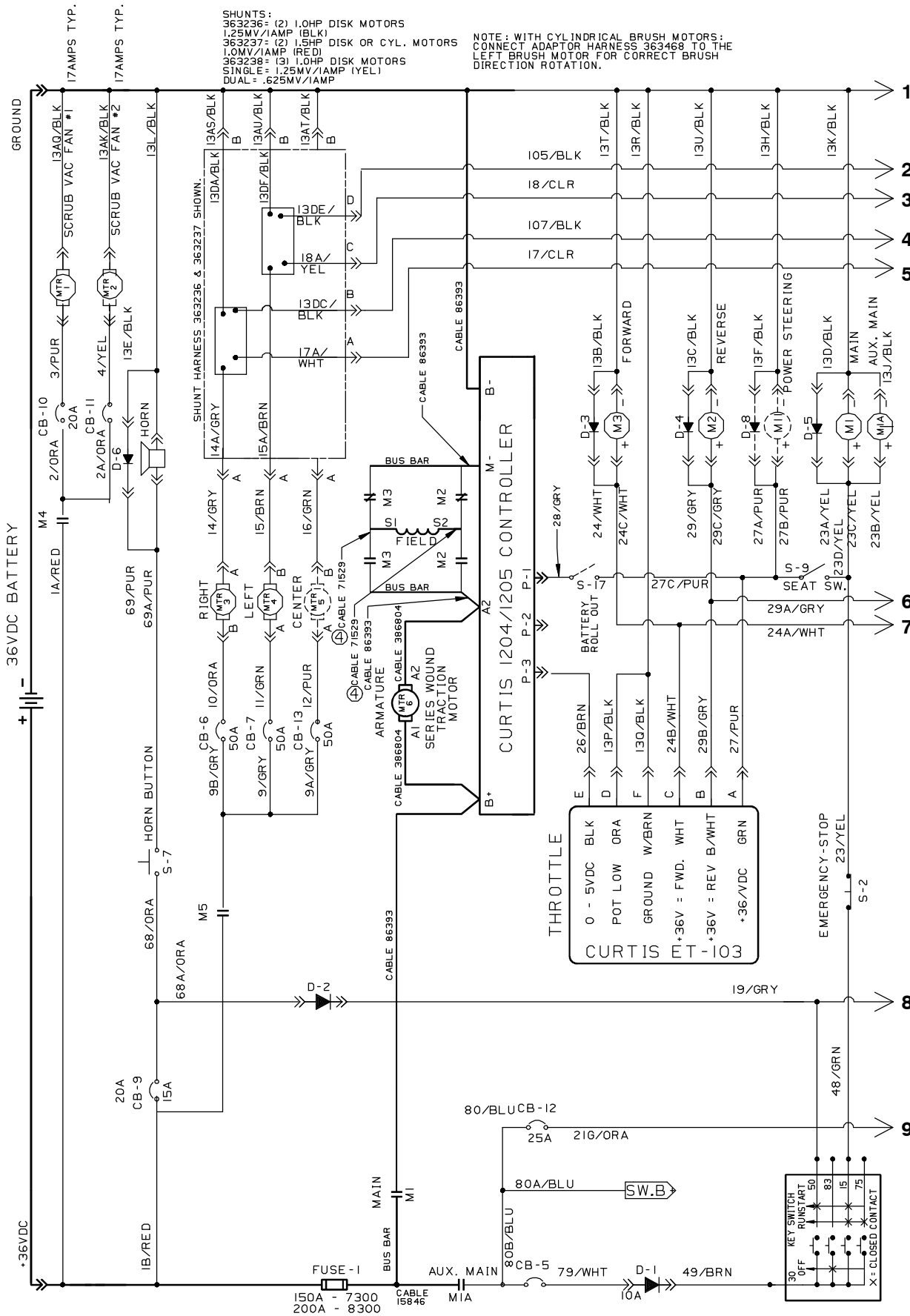
Fig. 57 - Electrical Group, FaST (004792-)



354204- 7300

Ref.	Tenant Part No.	Machine Serial Number	Description	Qty.
1	377084	(004792-)	Switch, Rocker, Prgrsv	1
2	383720	(004792-)	Circuitbreaker, 05.0A, Resetable	1
3	398526	(004792-)	Relay, 36Vdc, 005A, Spdt No [Greenwich]	1
4	12312	(004792-)	Screw, Hex, M5 X 0.80 X 12, 8.8	1
5	19066	(004792-)	Washer, Flat, 10	1
6	1011276	(004792-)	Label, Switch [7300/8300 FaST]	1

Fig. 58 - Electrical Schematic (000000-004791)



SHUNTS:
 363236: (2) 1.0HP DISK MOTORS
 1.25MV/IAMP (BLK)
 363237: (2) 1.5HP DISK OR CYL. MOTORS
 1.0MV/IAMP (RED)
 363238: (3) 1.0HP DISK MOTORS
 95IN/6E: 1.25MV/IAMP (YEL)
 DUAL: 6.25MV/IAMP

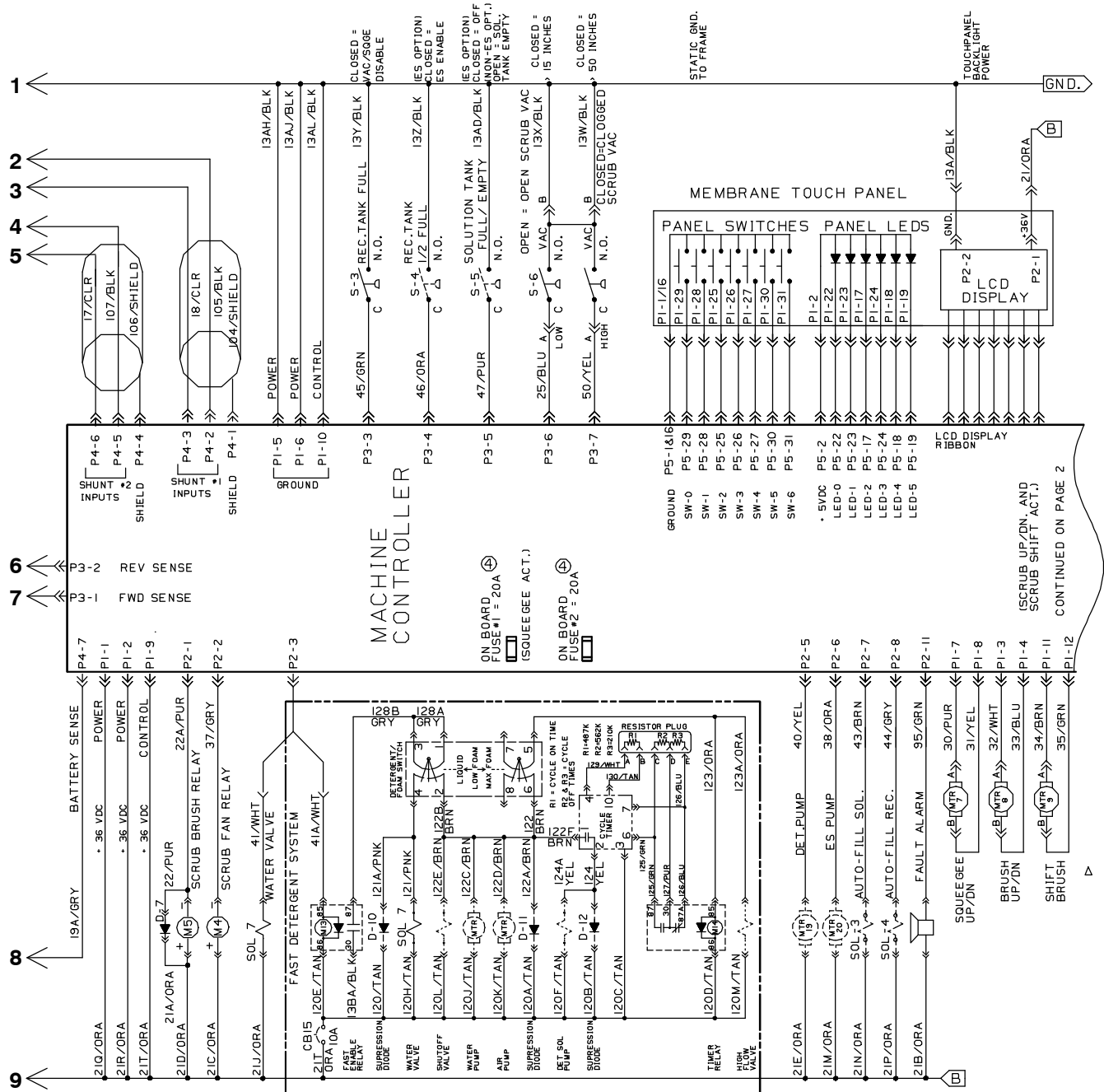
NOTE: WITH CYLINDRICAL BRUSH MOTORS;
 CONNECT ADAPTOR HARNESS 363468 TO THE
 LEFT BRUSH MOTOR FOR CORRECT BRUSH
 DIRECTION ROTATION.

THROTTLE
 0 - 5VDC BLK
 POT LOW ORA
 GROUND W/BRN
 +36V = FWD. WHT
 +36V = REV B/WHT
 +36V/DC GRN

CURTIS FT-103

353346, 386300

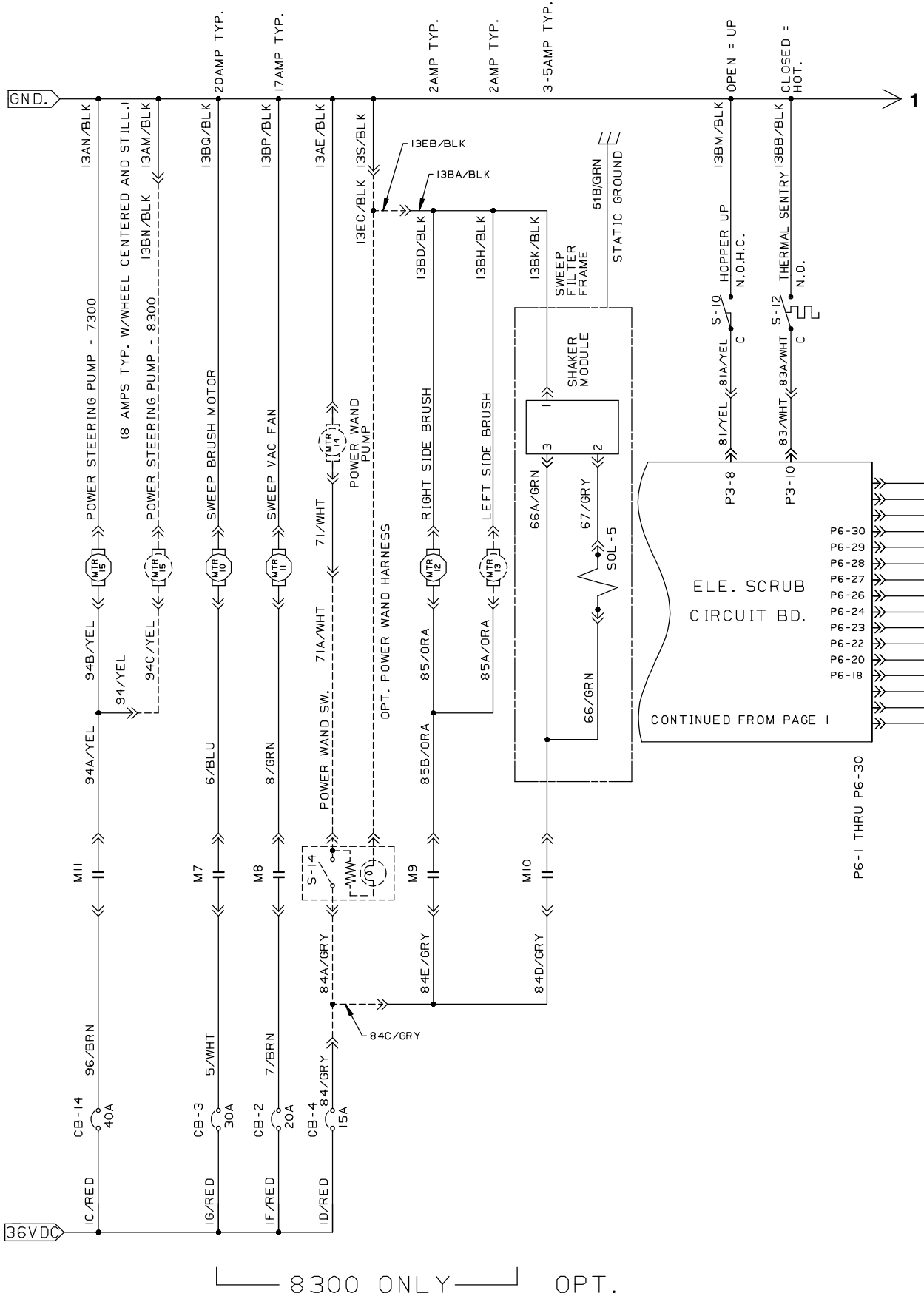
Fig. 58 - Electrical Schematic (00000-004791)



CB	CIRCUIT BREAKER	FU	FUSE
MTR	MOTOR	D	DIODE
P	CONNECTOR PIN	M	RELAY COIL
S	SWITCH	R	RESISTOR
ARM	ARMATURE	HM	HOURLMETER
N.O.	NORM. OPEN CONTACT	C	COMMON CONTACT
SV	HYD. SOLENOID VALVE	SOL.	ELE. MECH. VALVE

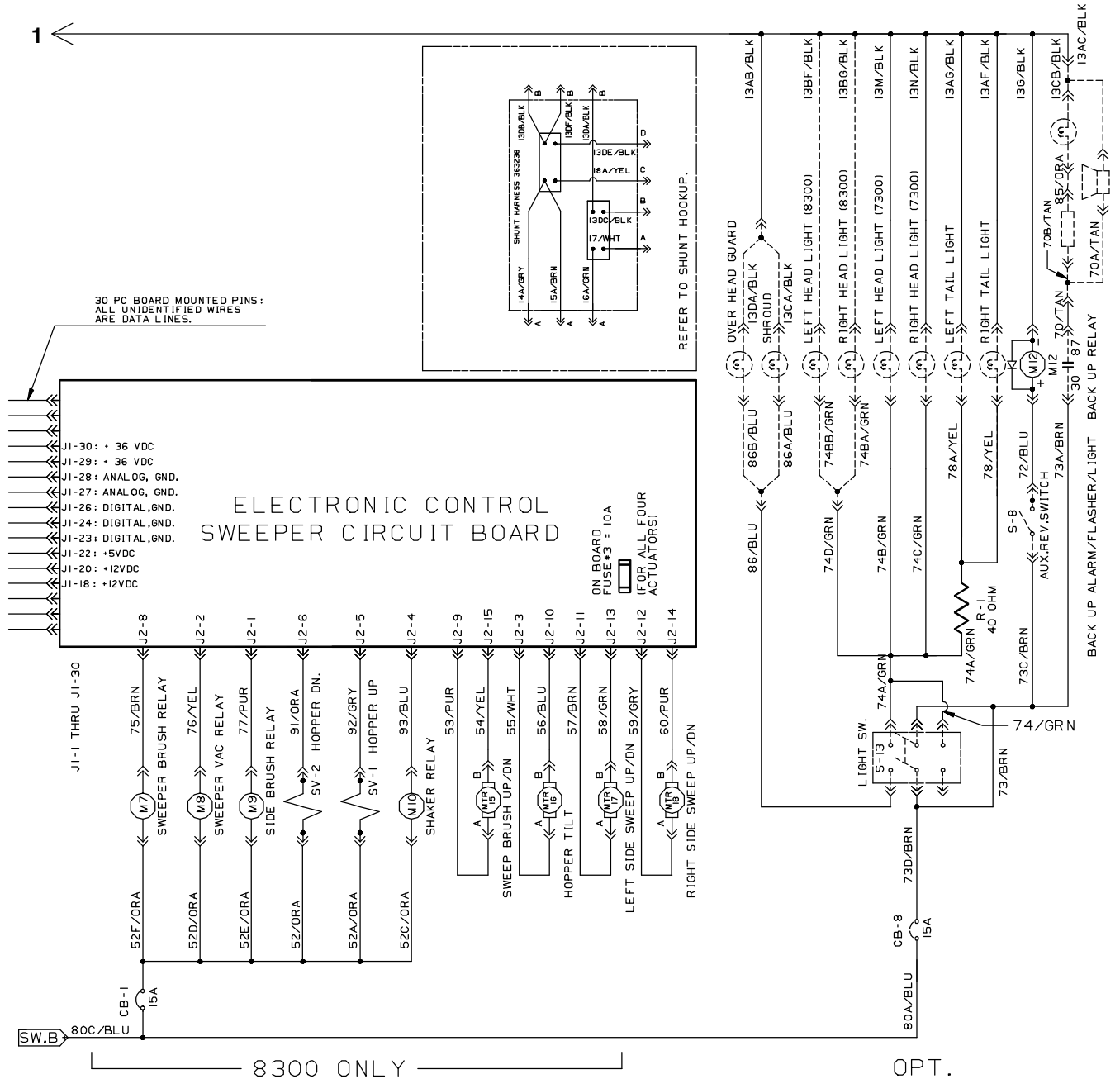
353346, 386300

Fig. 58 - Electrical Schematic (000000-004791)



8300 ONLY OPT.

Fig. 58 - Electrical Schematic (000000-004791)

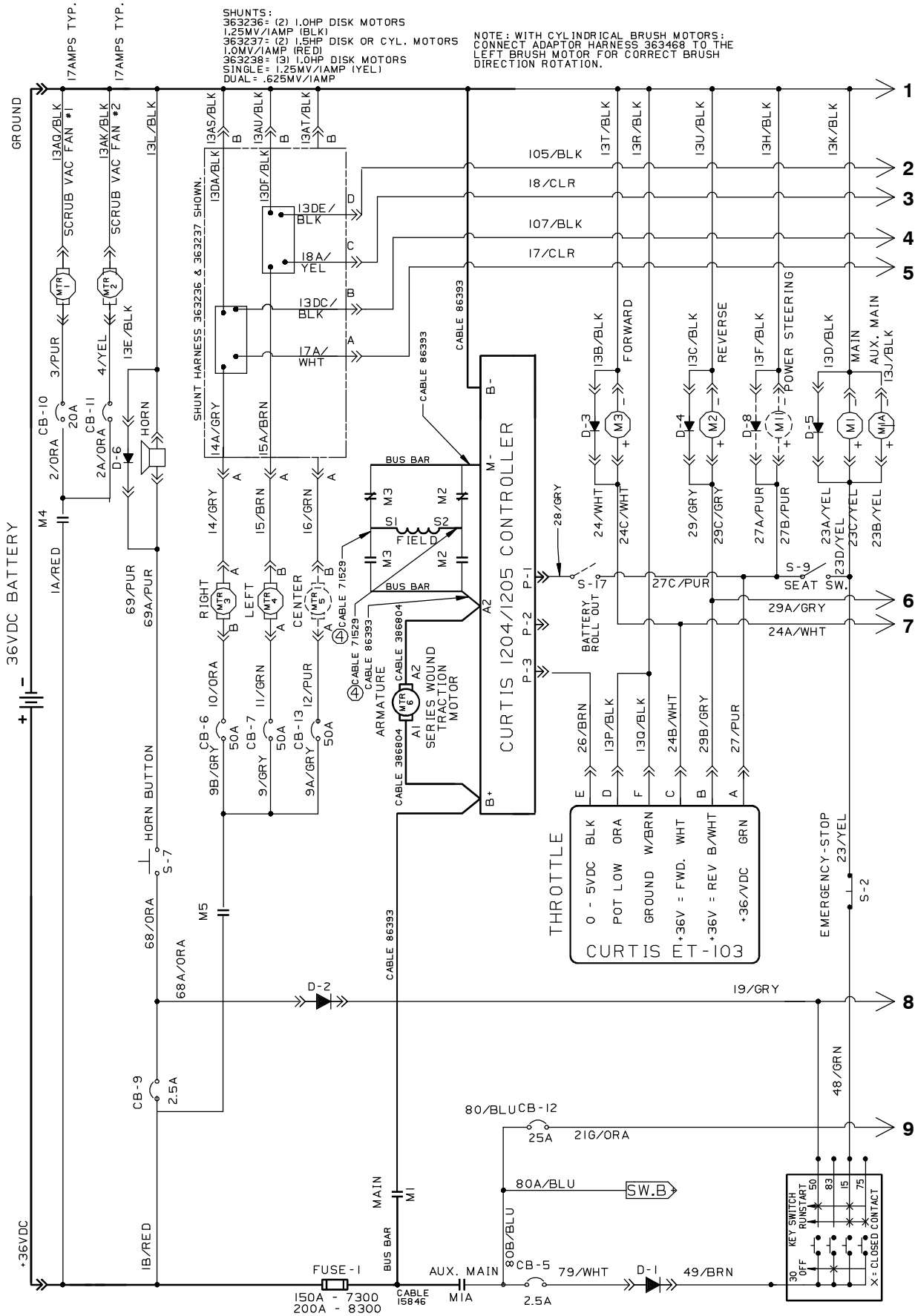


LEGEND

CB	CIRCUIT BREAKER	FU	FUSE
MTR	MOTOR	D	DIODE
P	CONNECTOR PIN	M	RELAY COIL
S	SWITCH	R	RESISTOR
ARM	ARMATURE	HM	HOURLMETER
N.O.	NORM. OPEN CONTACT	C	COMMON CONTACT

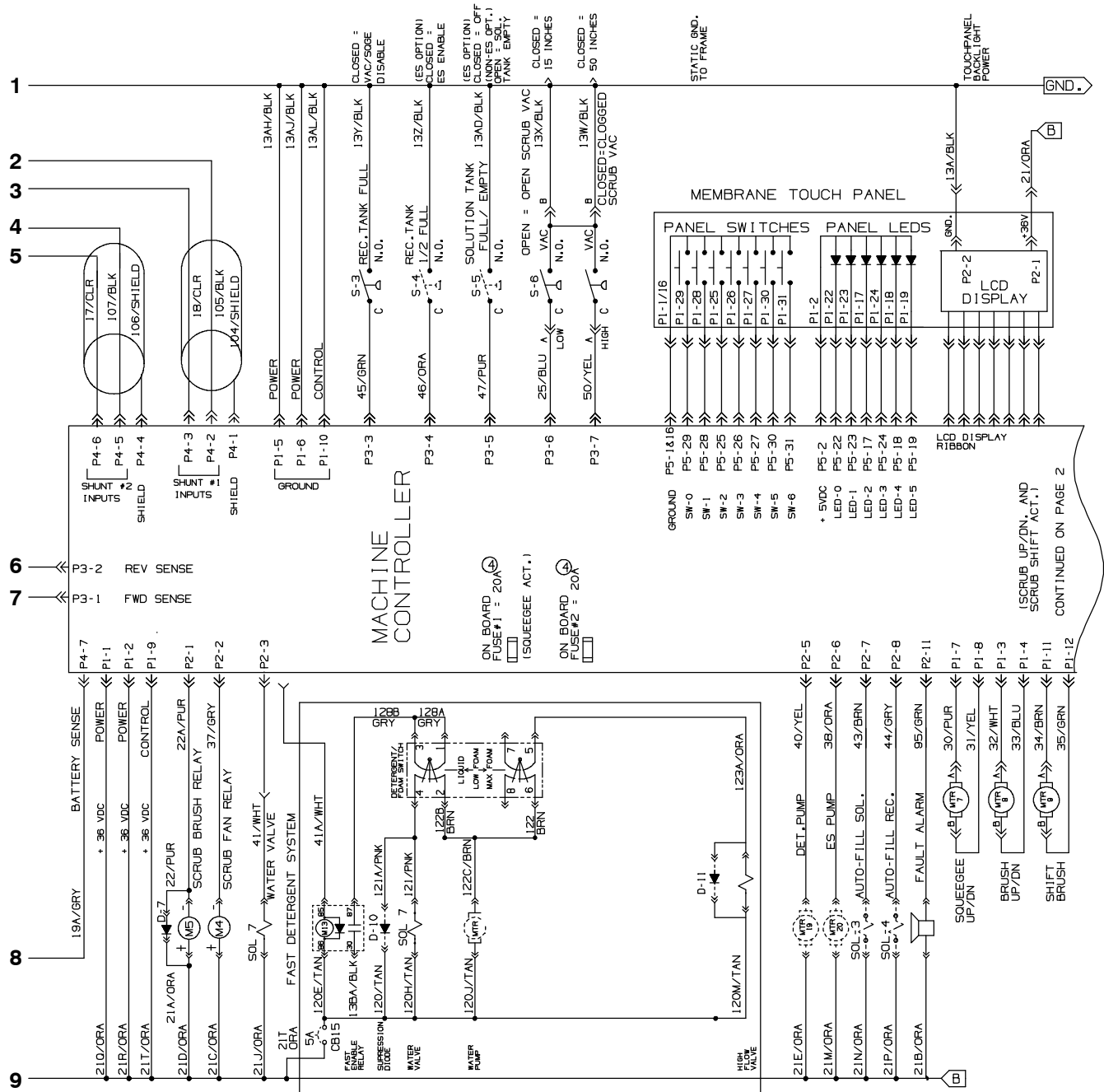
353346, 386300

Fig. 59 - Electrical Schematic (004792-)



353346, 386300

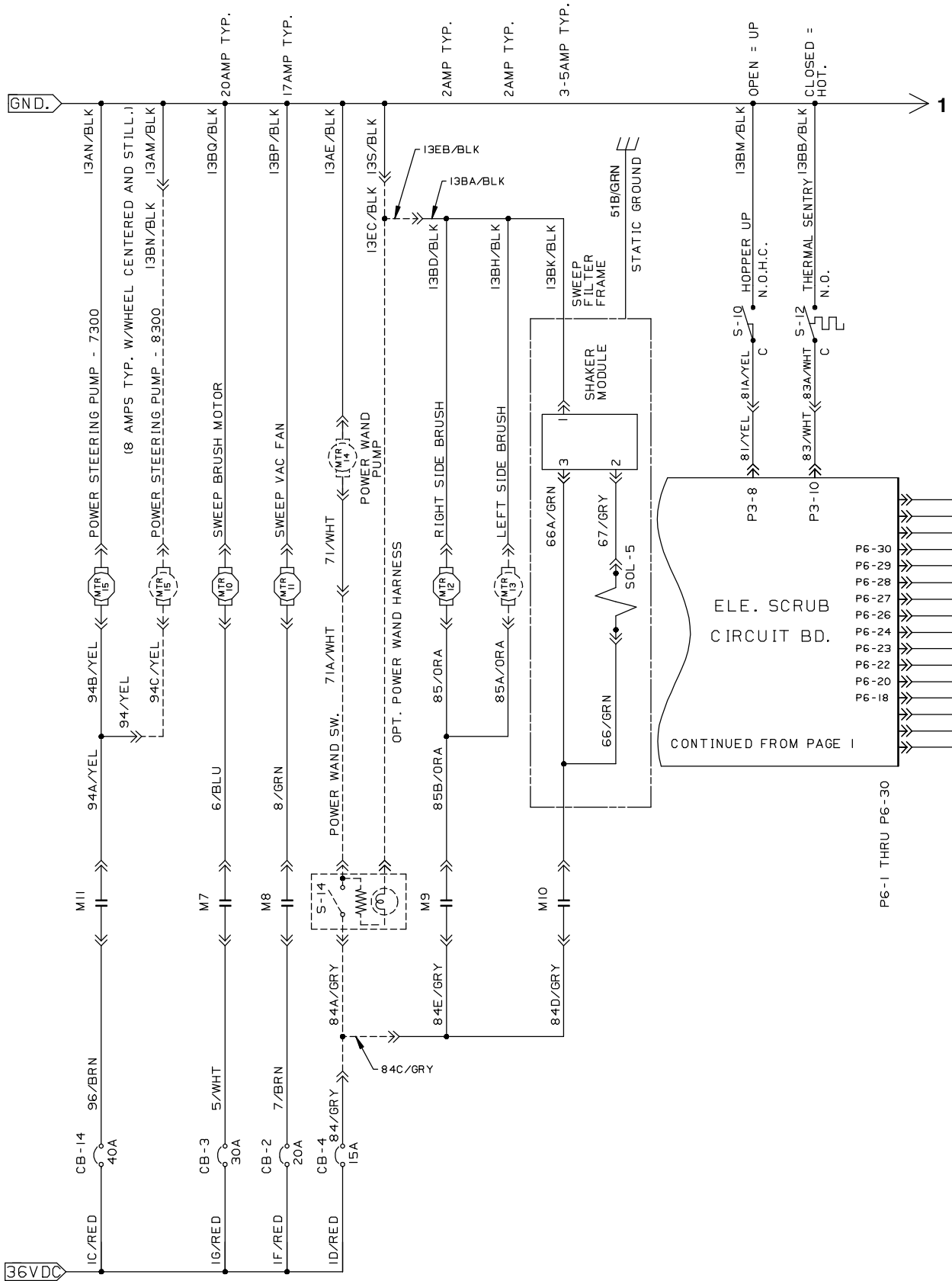
Fig. 59 - Electrical Schematic (004792-)



CB	CIRCUIT BREAKER	FU	FUSE
MTR	MOTOR	D	DIODE
P	CONNECTOR PIN	M	RELAY COIL
S	SWITCH	R	RESISTOR
ARM	ARMATURE	HM	HOURMETER
N.O.	NORM. OPEN CONTACT	C	COMMON CONTACT
SV	HYD. SOLENOID VALVE	SOL.	ELE. MECH. VALVE

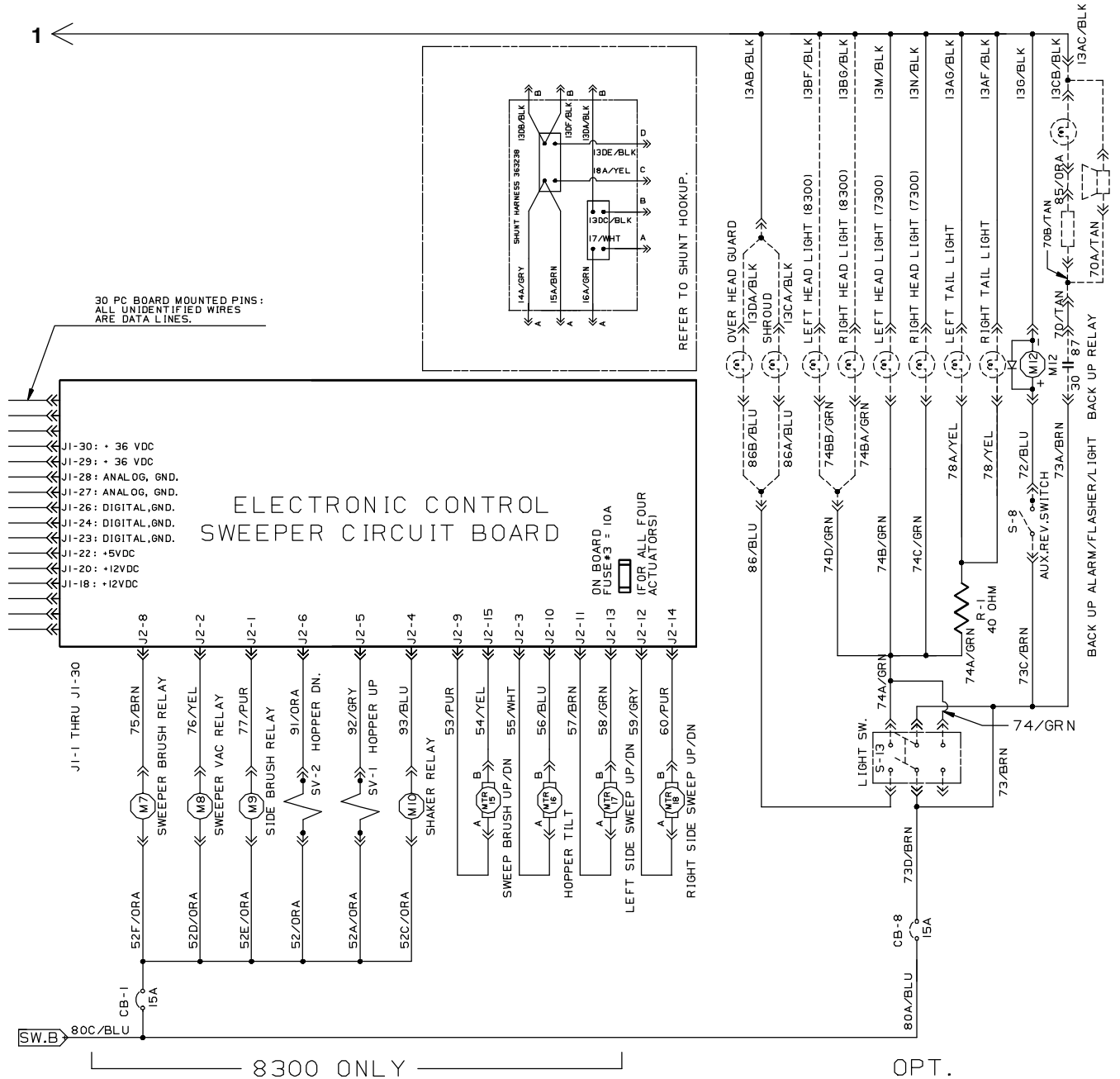
353346, 386300

Fig. 59 - Electrical Schematic (004792-)



8300 ONLY OPT.

Fig. 59 - Electrical Schematic (004792-)



LEGEND

CB	CIRCUIT BREAKER	FU	FUSE
MTR	MOTOR	D	DIODE
P	CONNECTOR PIN	M	RELAY COIL
S	SWITCH	R	RESISTOR
ARM	ARMATURE	HM	HOURLMETER
N.O.	NORM. OPEN CONTACT	C	COMMON CONTACT

353346, 386300

Fig. 59 - Electrical Schematic (004792-)

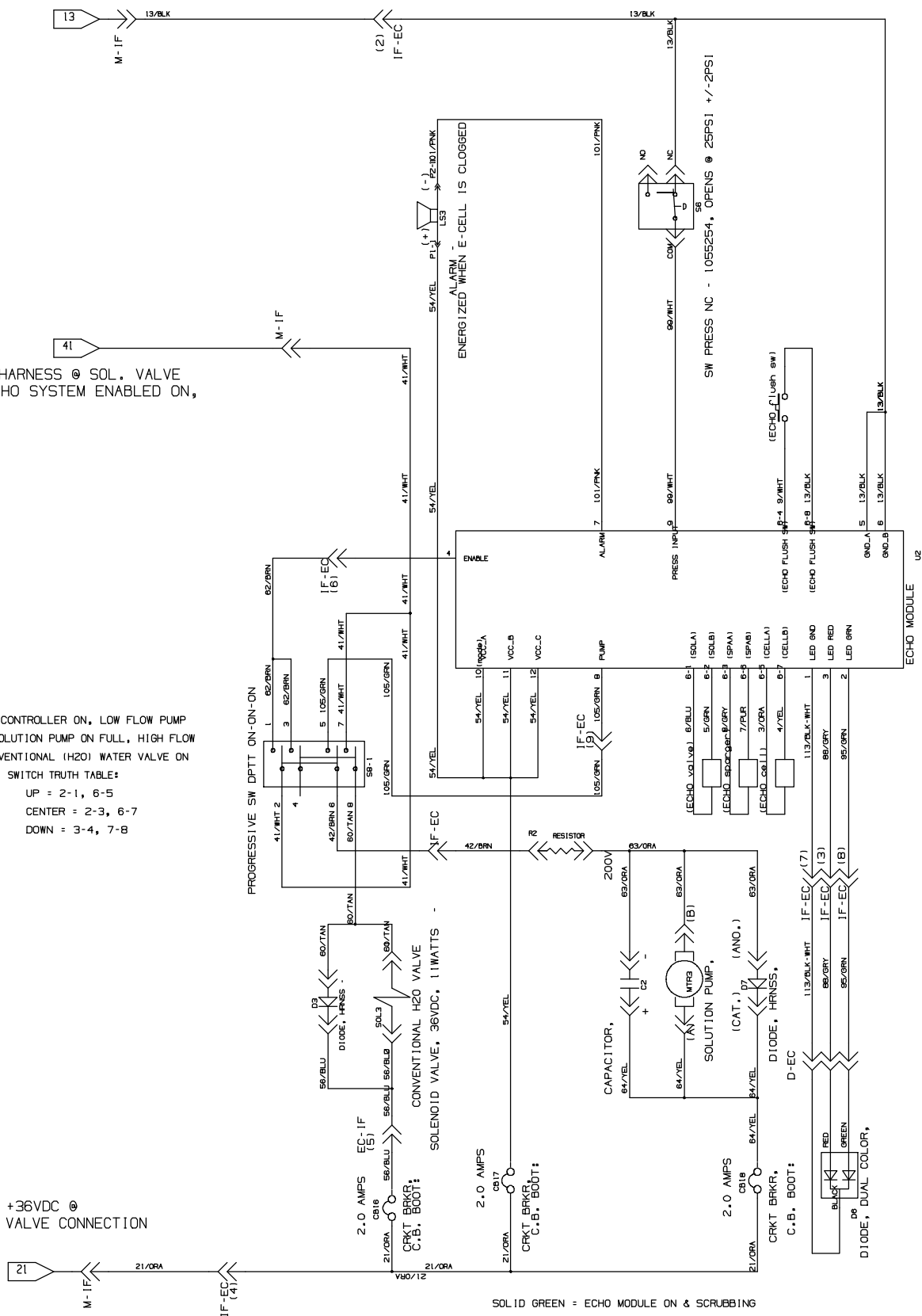
GROUND @ NEG. STANDOFF

TO MAIN HARNESS @ SOL. VALVE
LOW = ECHO SYSTEM ENABLED ON,

UP = ECHO CONTROLLER ON, LOW FLOW PUMP
CENTER = SOLUTION PUMP ON FULL, HIGH FLOW
DOWN = CONVENTIONAL (H2O) WATER VALVE ON

SWITCH TRUTH TABLE:
UP = 2-1, 6-5
CENTER = 2-3, 6-7
DOWN = 3-4, 7-8

SWITCHED +36VDC @
SOLUTION VALVE CONNECTION



SOLID GREEN = ECHO MODULE ON & SCRUBBING
SOLID RED = OVER CURRENT OF SOLUTION PUMP OR SPARGER
FLASHING RED = PRESSURE SWITCH CLOSED "E-CELL IS SCALED UP"

353346, 386300

Fig. 60 - Electrical Wire Harness Group

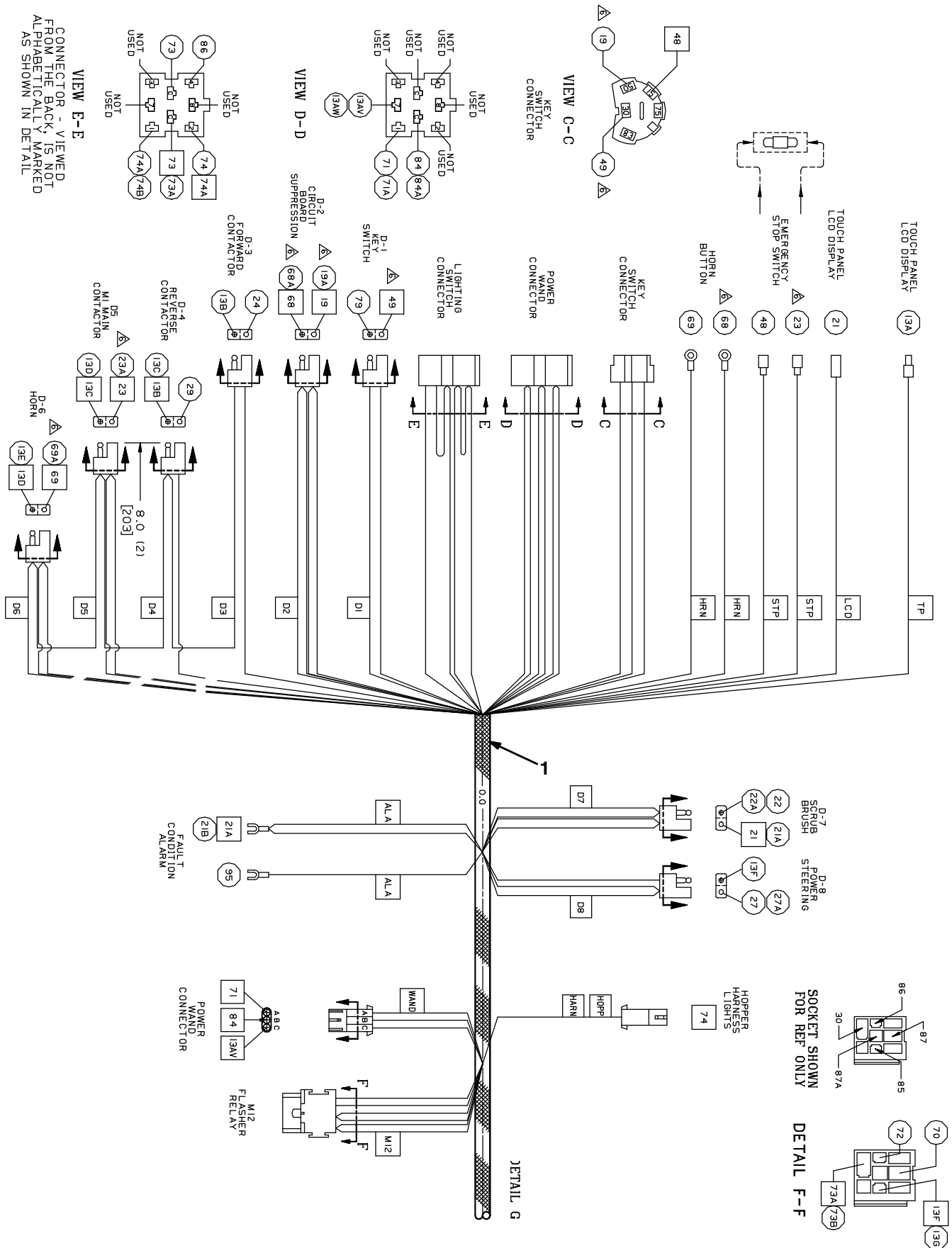
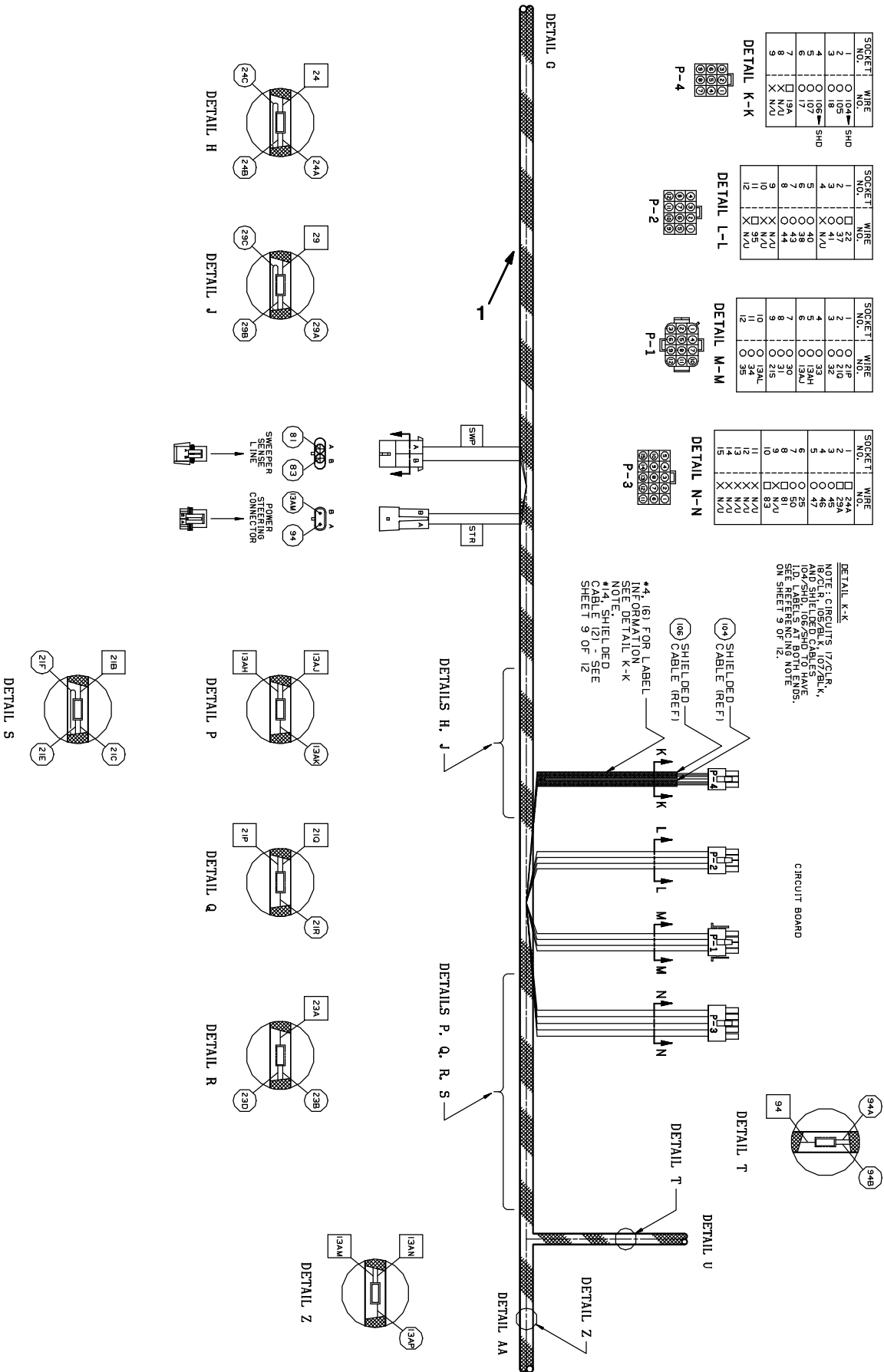


Fig. 60 - Electrical Wire Harnesses Group



DETAIL K-K

SOCKET NO.	WIRE NO.	SHD
2	105	SHD
3	108	SHD
4	106	SHD
5	107	SHD
6	134	N/A
7	134	N/A
8	X	N/A
9	X	N/A

DETAIL L-L

SOCKET NO.	WIRE NO.	SHD
2	37	SHD
3	41	N/A
4	40	N/A
5	40	N/A
6	43	N/A
7	44	N/A
8	X	N/A
9	X	N/A
10	95	N/A
11	X	N/A
12	X	N/A

DETAIL M-M

SOCKET NO.	WIRE NO.	SHD
2	210	SHD
3	32	SHD
4	33	SHD
5	134	N/A
6	30	SHD
7	31	SHD
8	215	SHD
9	134	N/A
10	38	SHD
11	39	SHD
12	X	N/A
13	X	N/A
14	X	N/A
15	X	N/A

DETAIL N-N

SOCKET NO.	WIRE NO.	SHD
2	29A	SHD
3	45	SHD
4	45	SHD
5	45	SHD
6	25	SHD
7	80	SHD
8	81	SHD
9	82	SHD
10	83	SHD
11	N/A	N/A
12	N/A	N/A
13	N/A	N/A
14	N/A	N/A
15	N/A	N/A

DETAIL K-K
 NOTE: CIRCUITS 17/28/LR,
 18/28/LR, 106/28/LR, 44/28/LR,
 104/28/LR, 106/28/LR TO HAVE
 LID LABELS AT BOTH ENDS.
 ON SHEET 9 OF 12

*4, (6) FOR LABEL
 INFORMATION
 SEE DETAIL K-K
 *04 SHIELDED
 CABLE (2) - SEE
 SHEET 9 OF 12

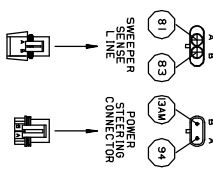
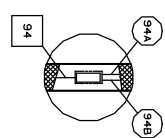


Fig. 60 - Electrical Wire Harness Group

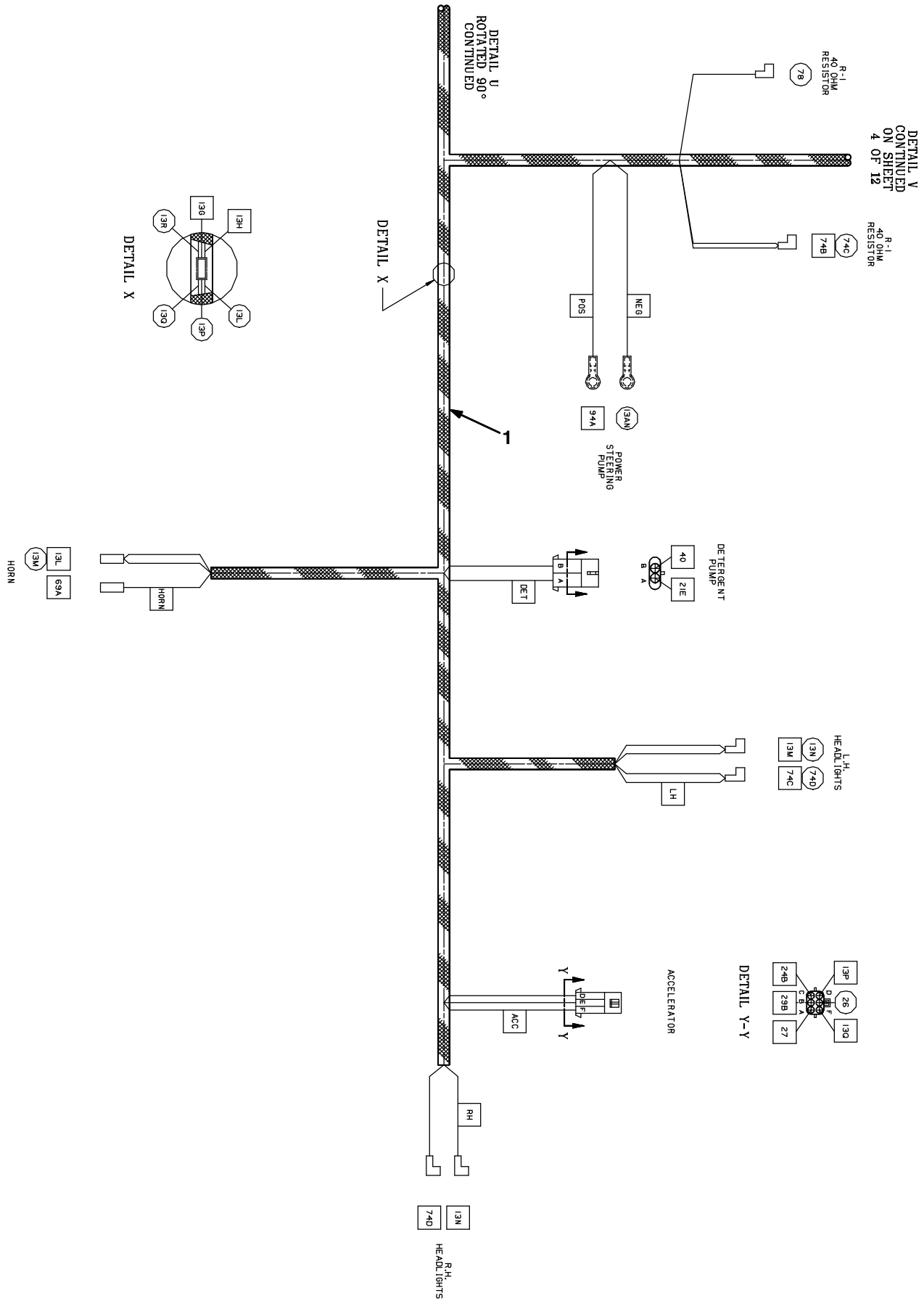


Fig. 60 - Electrical Wire Harness Group

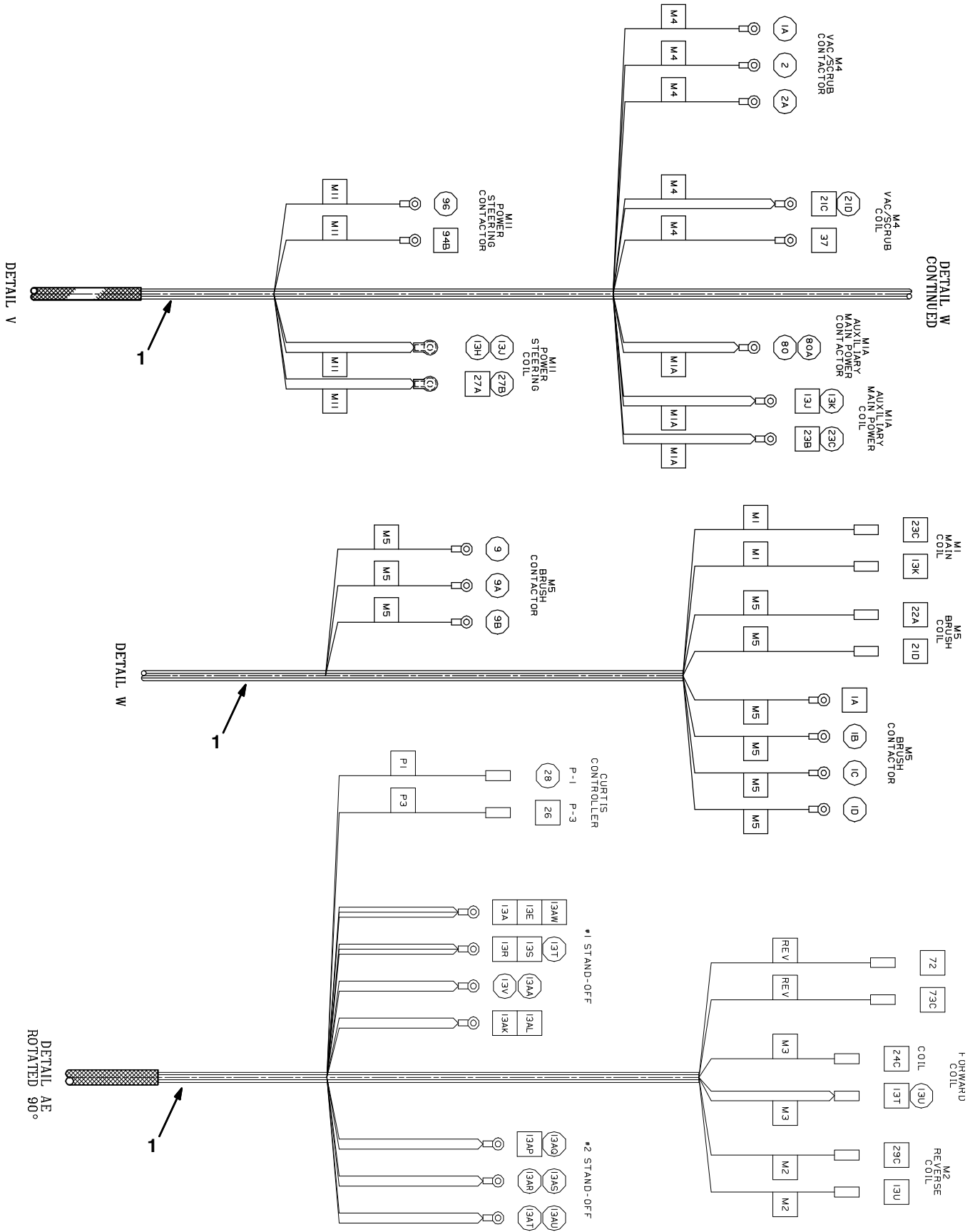


Fig. 60 - Electrical Wire Harness Group

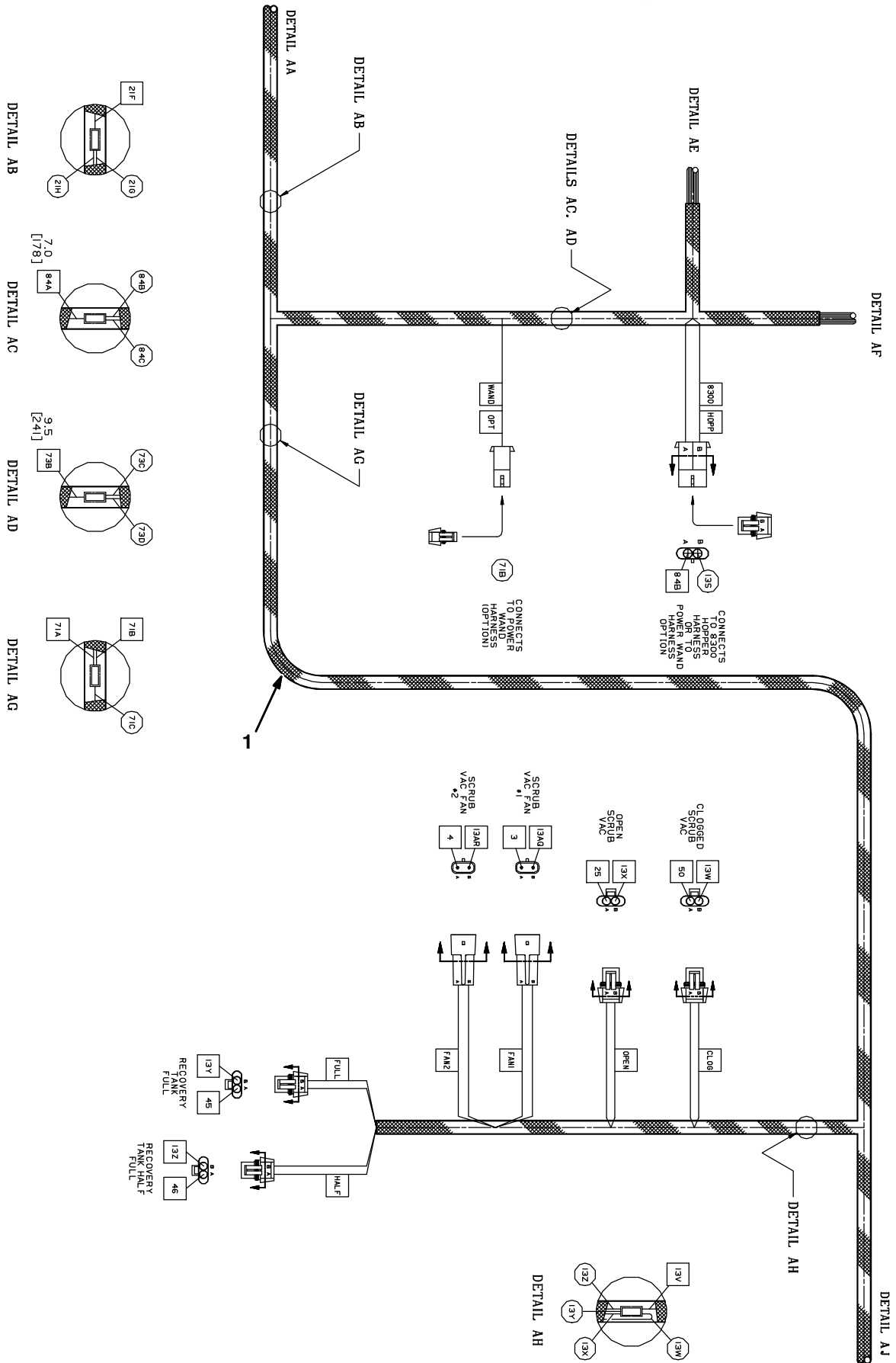


Fig. 60 - Electrical Wire Harness Group

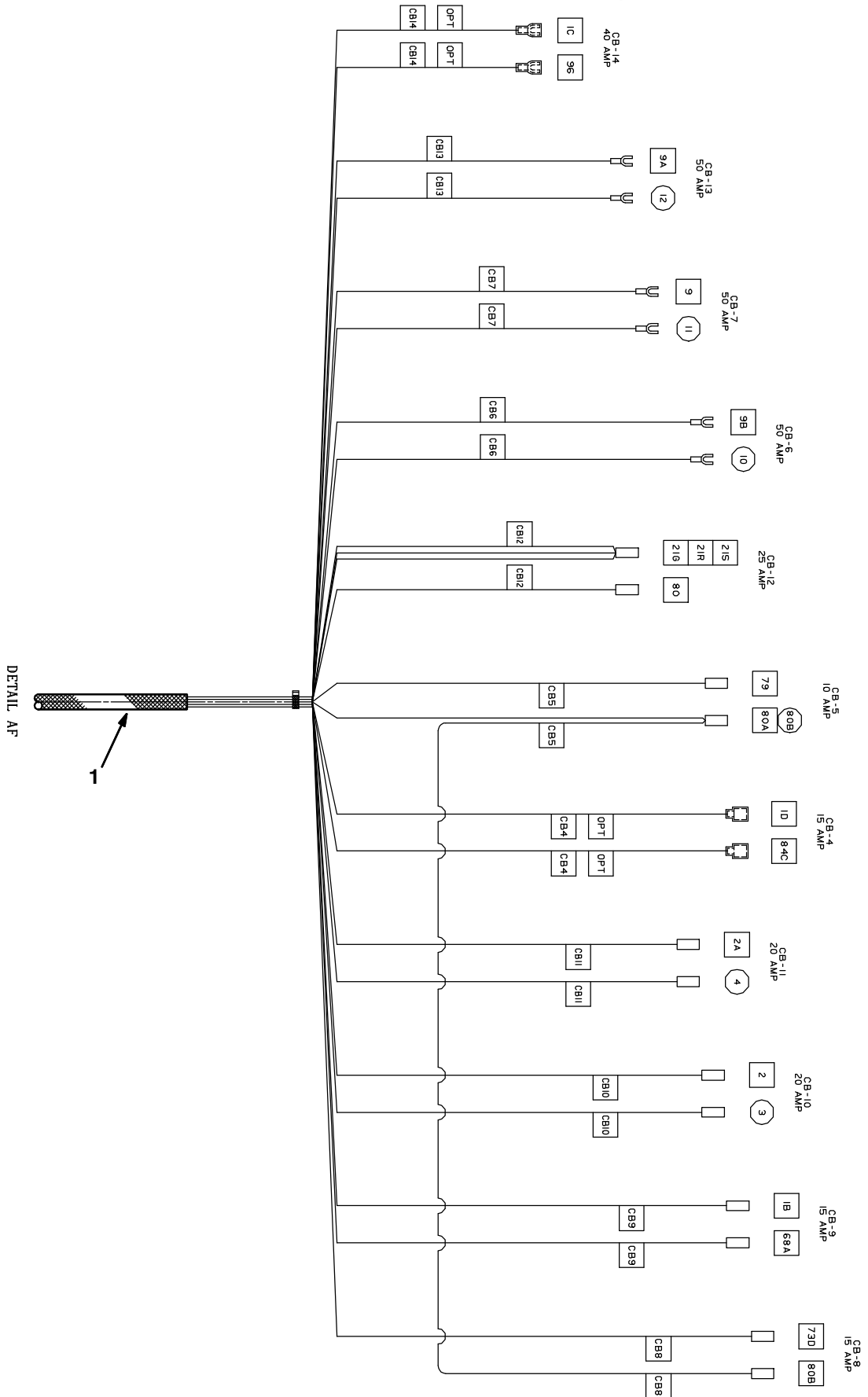


Fig. 60 - Electrical Wire Harness Group

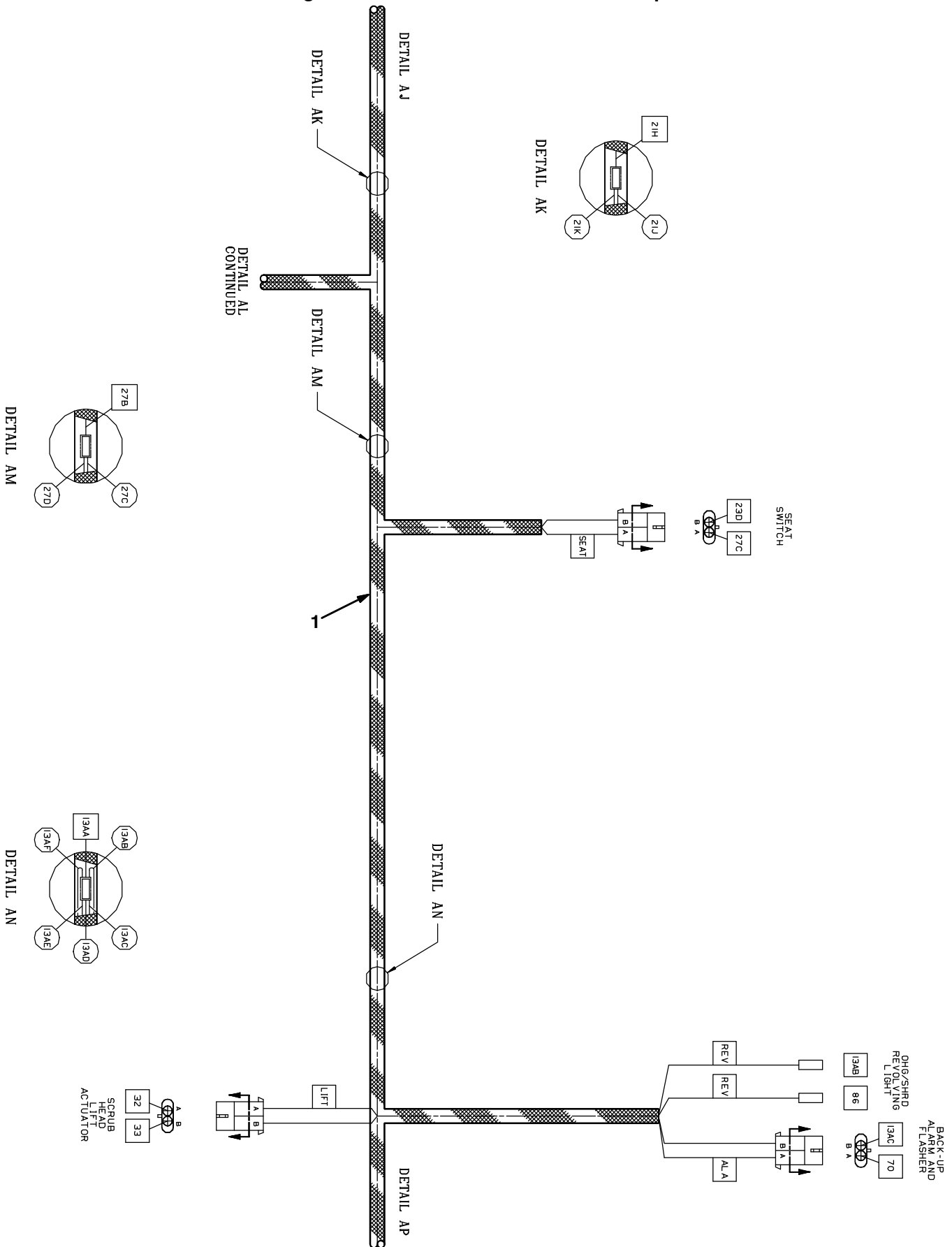


Fig. 60 - Electrical Wire Harness Group

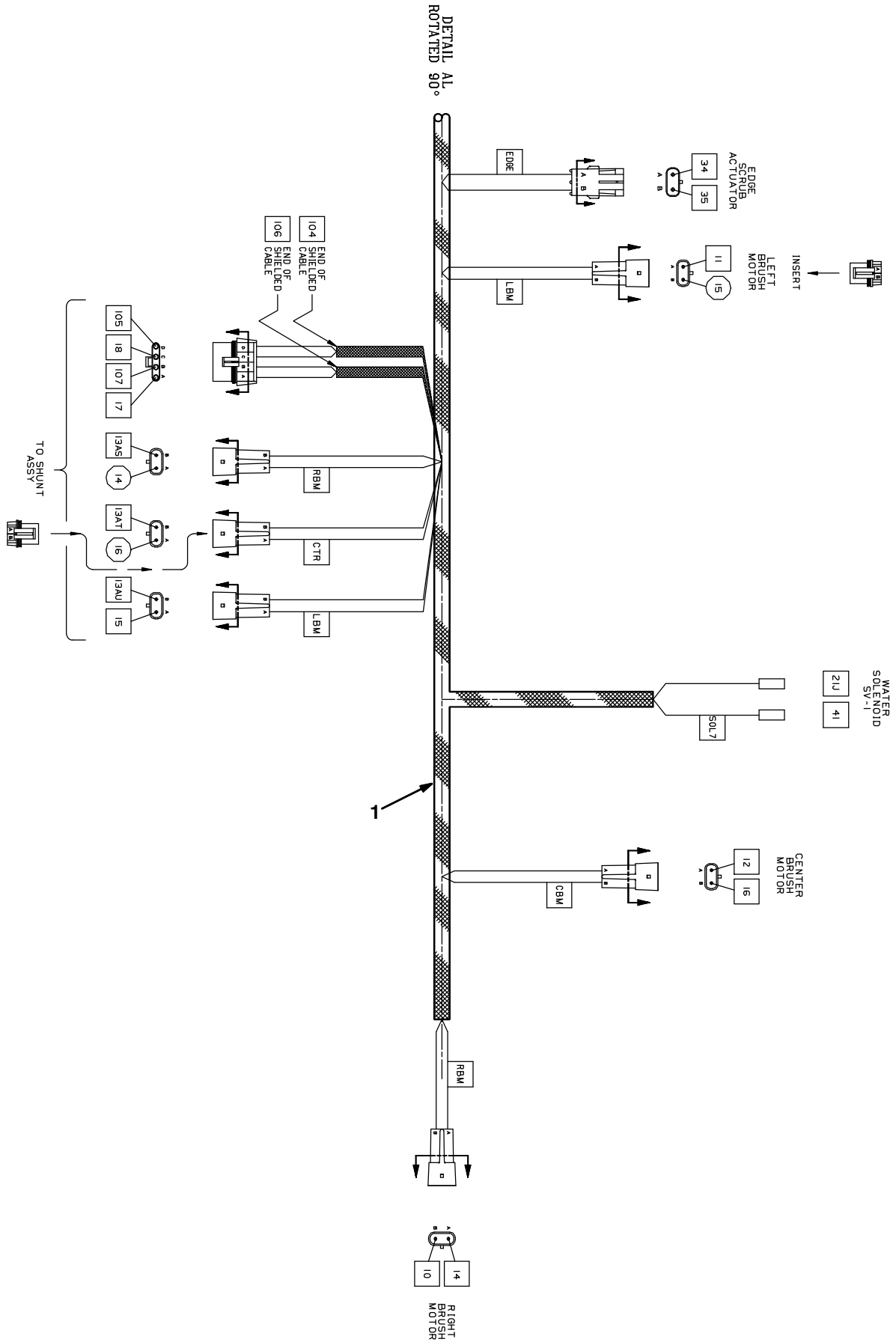


Fig. 60 - Electrical Wire Harness Group

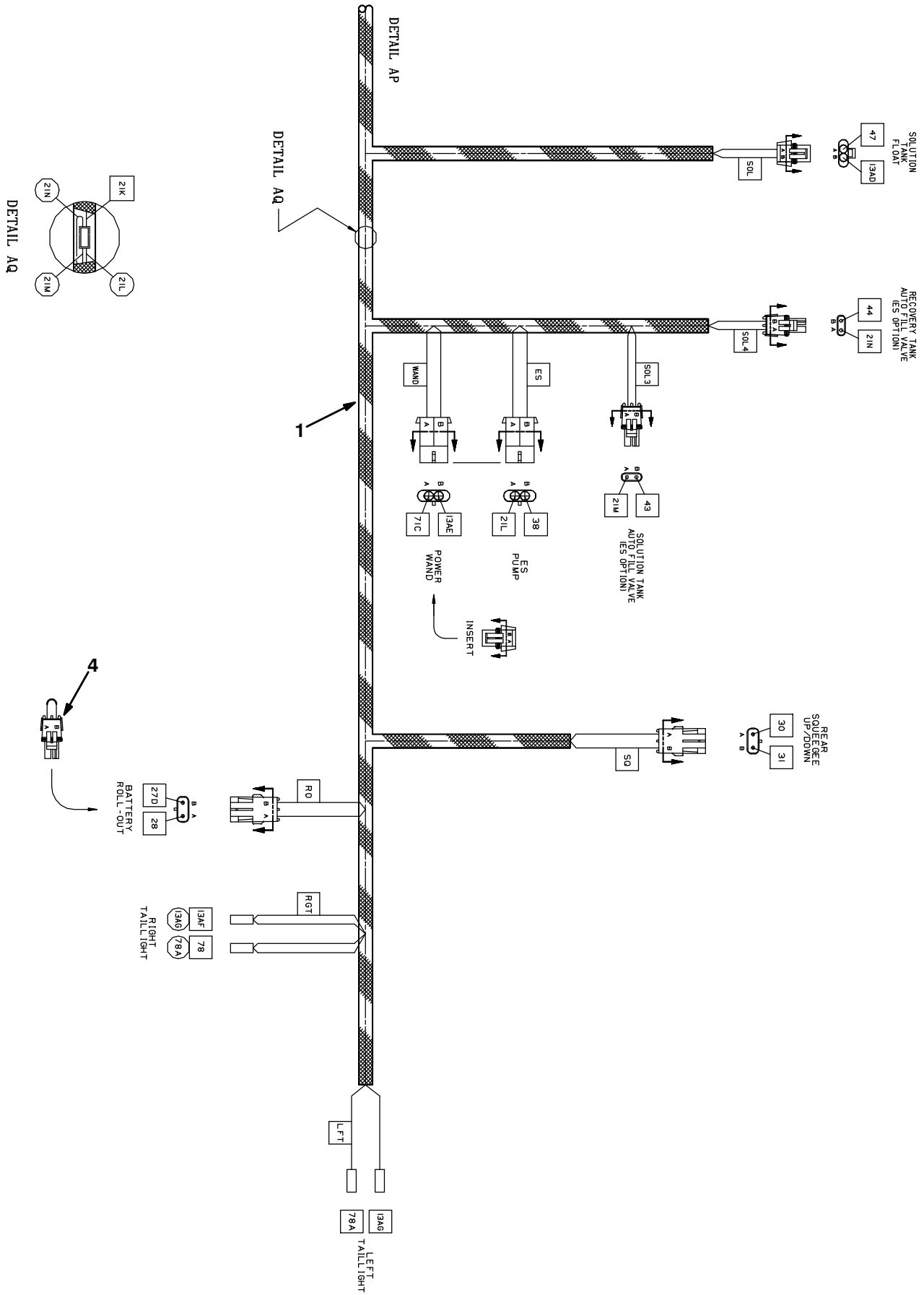


Fig. 60 - Electrical Wire Harness Group

Hopper Harness Group

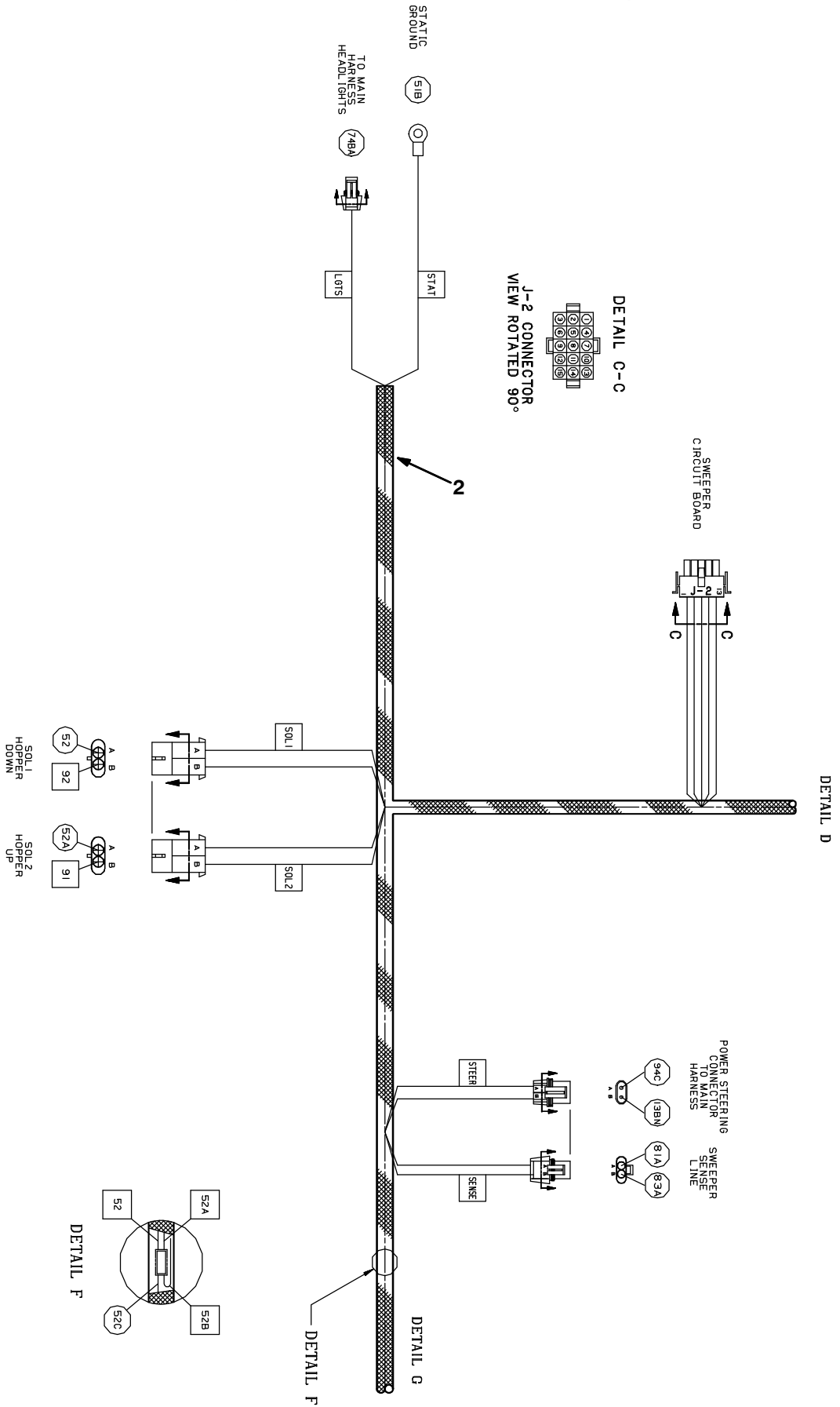


Fig. 60 - Electrical Wire Harness Group

Hopper Harness Group

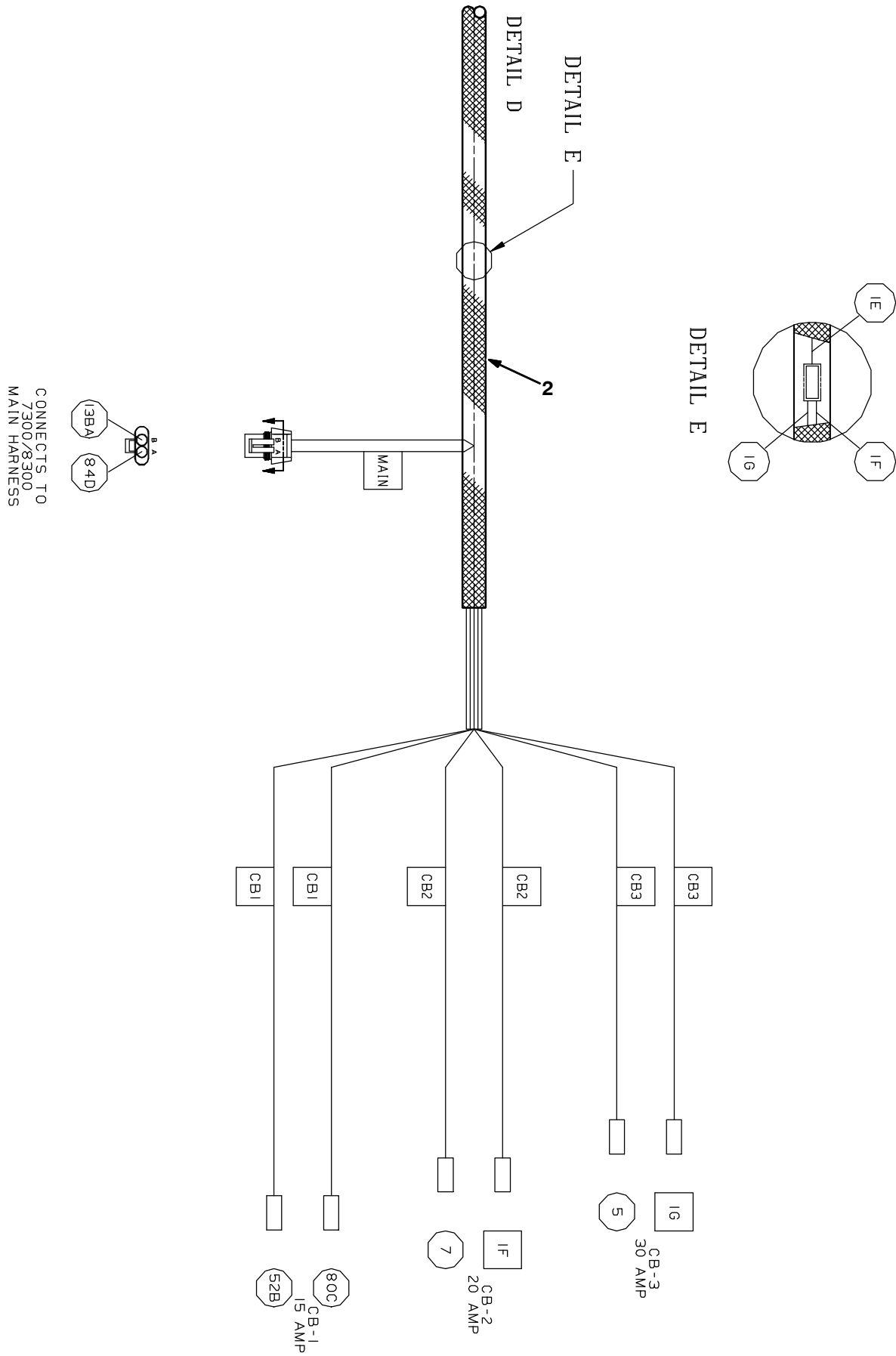
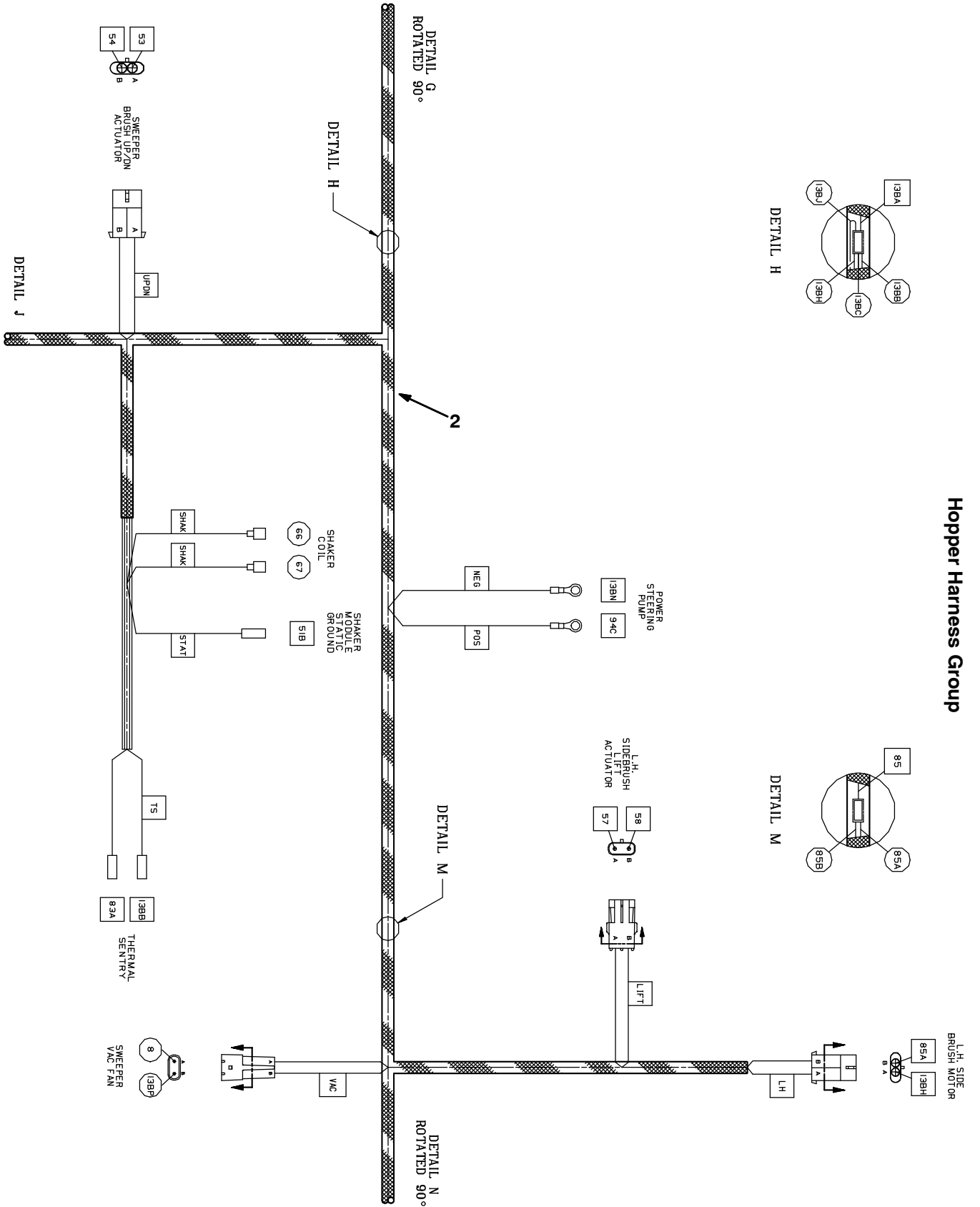
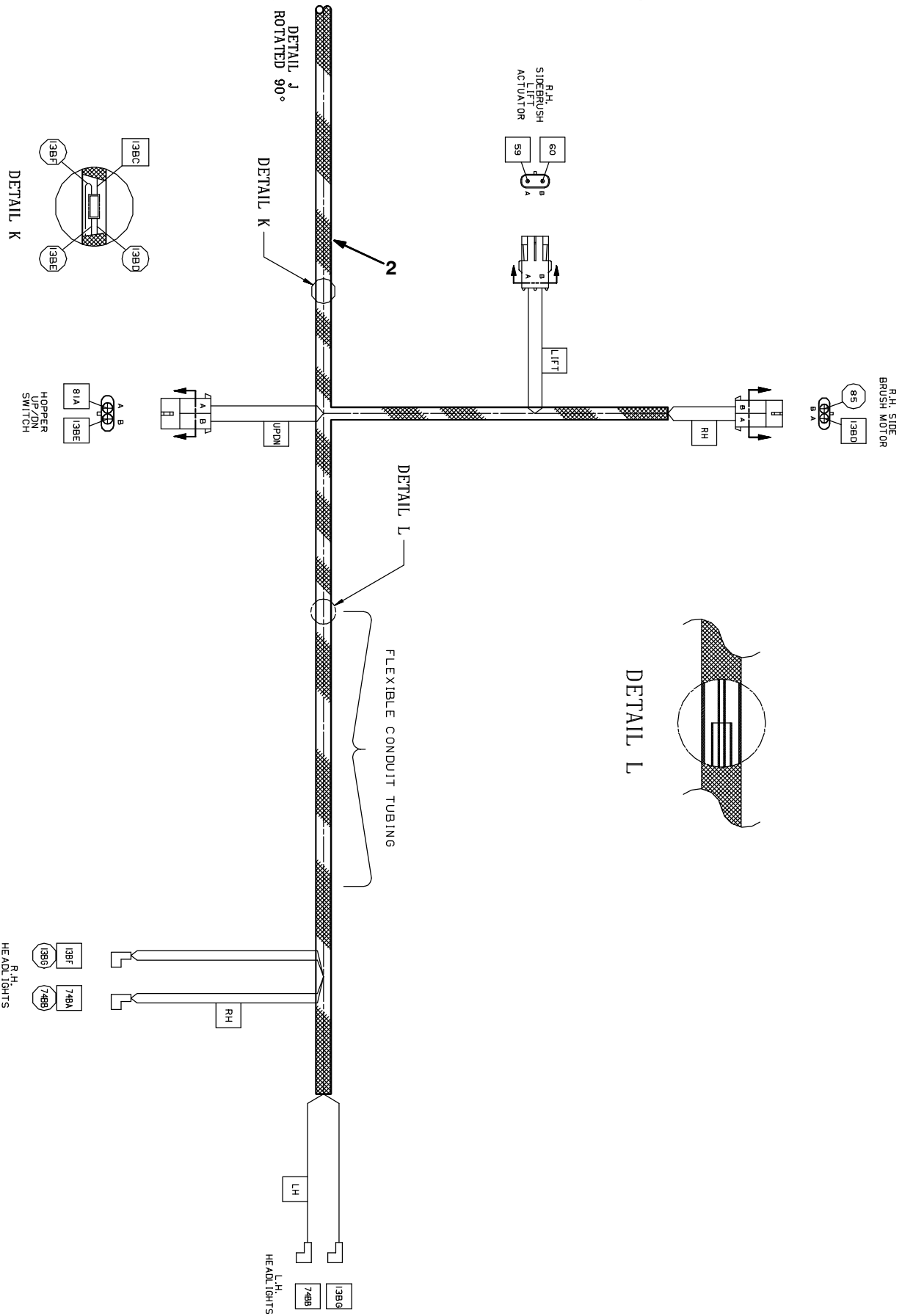


Fig. 60 - Electrical Wire Harness Group



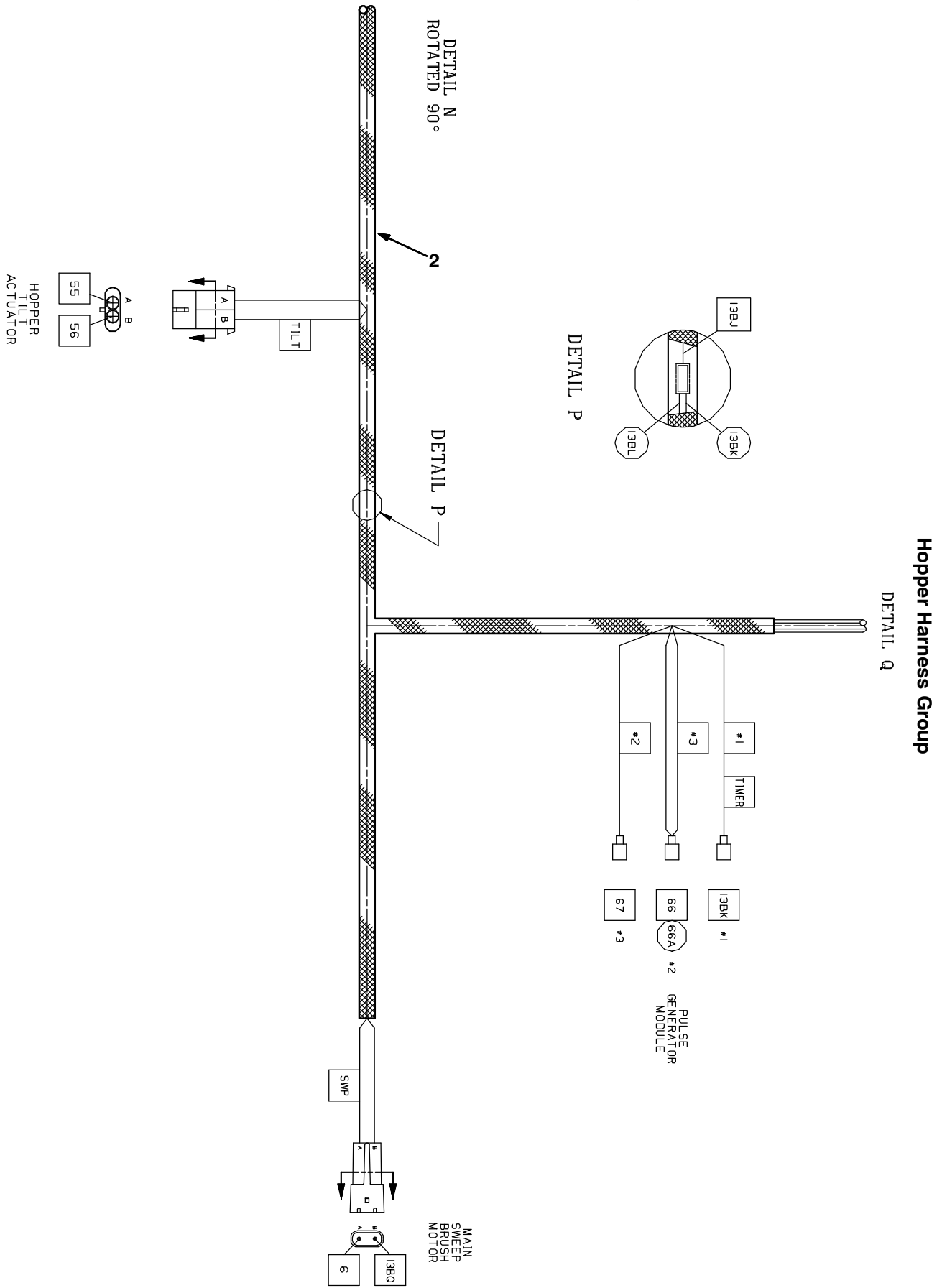
Hopper Harness Group

Fig. 60 - Electrical Wire Harness Group



Hopper Harness Group

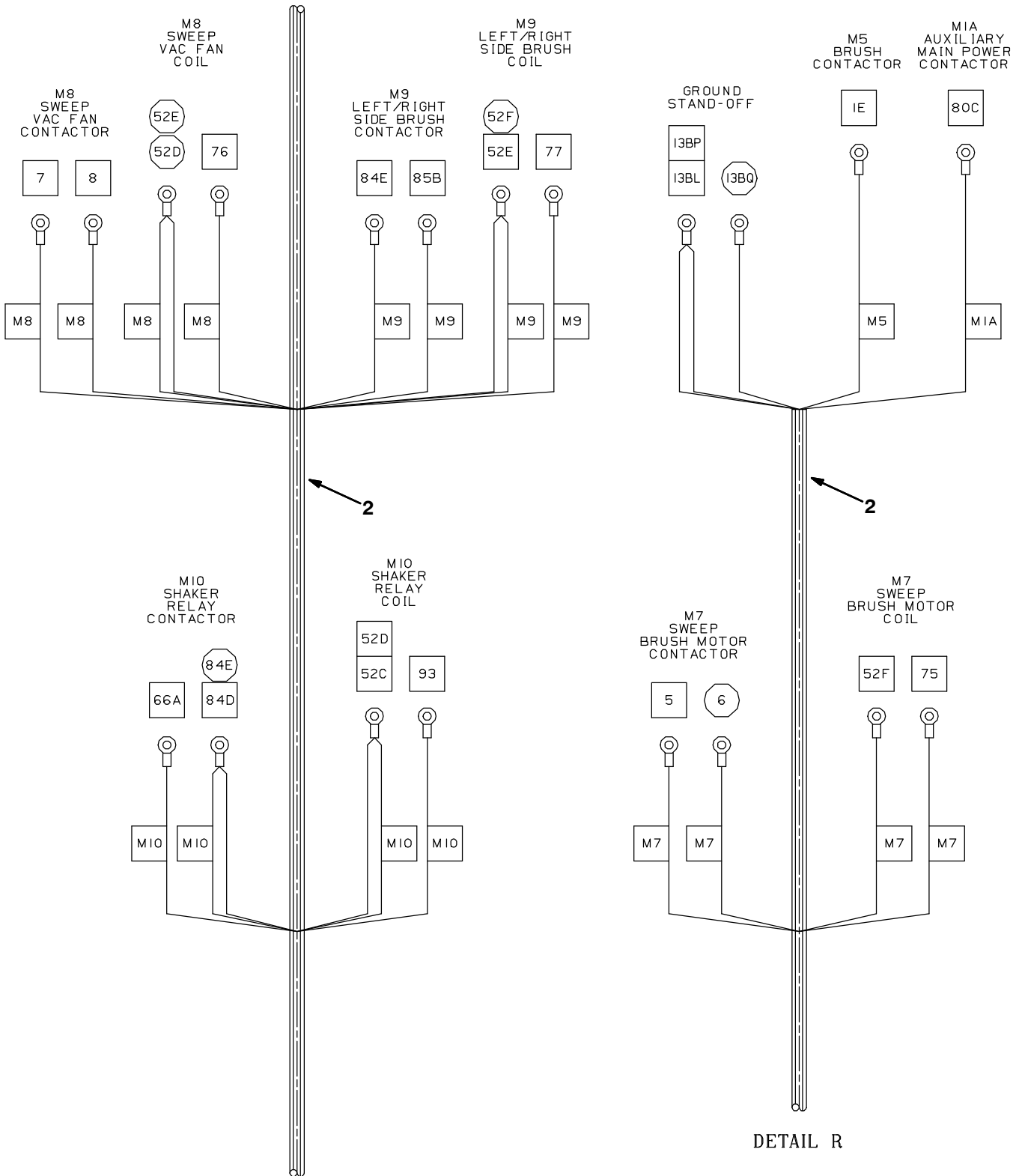
Fig. 60 - Electrical Wire Harness Group



Hopper Harness Group

Fig. 60 - Electrical Wire Harnesses Group
Hopper Harness Group

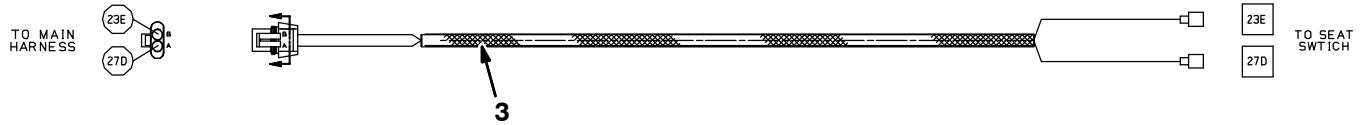
DETAIL R



DETAIL Q

DETAIL R

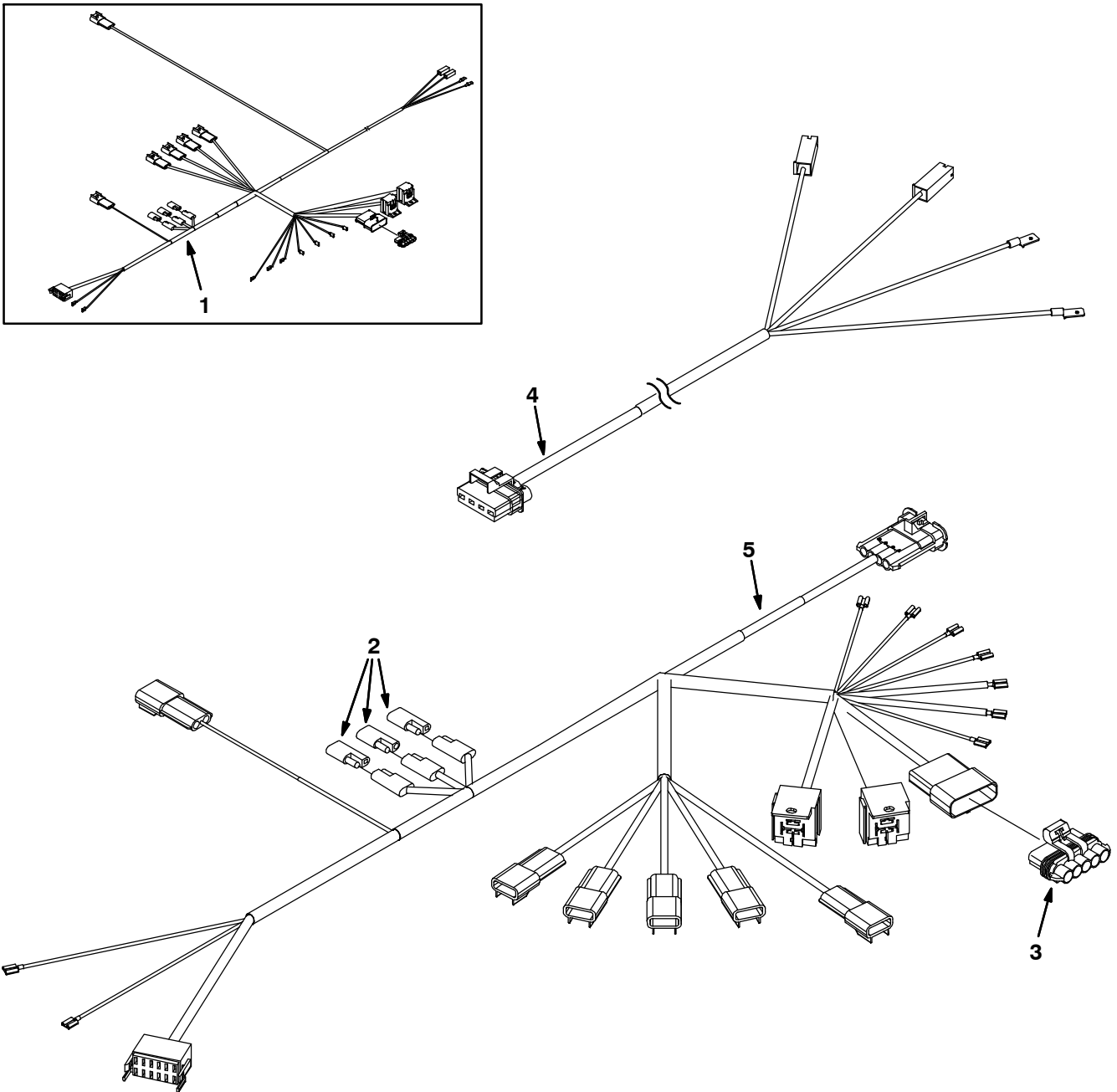
Fig. 60 - Electrical Wire Harnesses Group



Ref.	Tennant Part No.	Machine Serial Number	Description	Qty.
1	386600	(000000-003233)	Harness, Main, 7300/8300	1
1	387424	(003234-) Harness, Main, 7300/8300	1
2	386601	(000000-003233)	Harness, Hppr	1
2	387423	(003234-) Harness, Hppr	1
3	387302	(000000-) Harness, Wire, Jumper, Seat Switch	1
4	60278	(000000-) Harness, Jumper, Arm	2

STANDARD PARTS

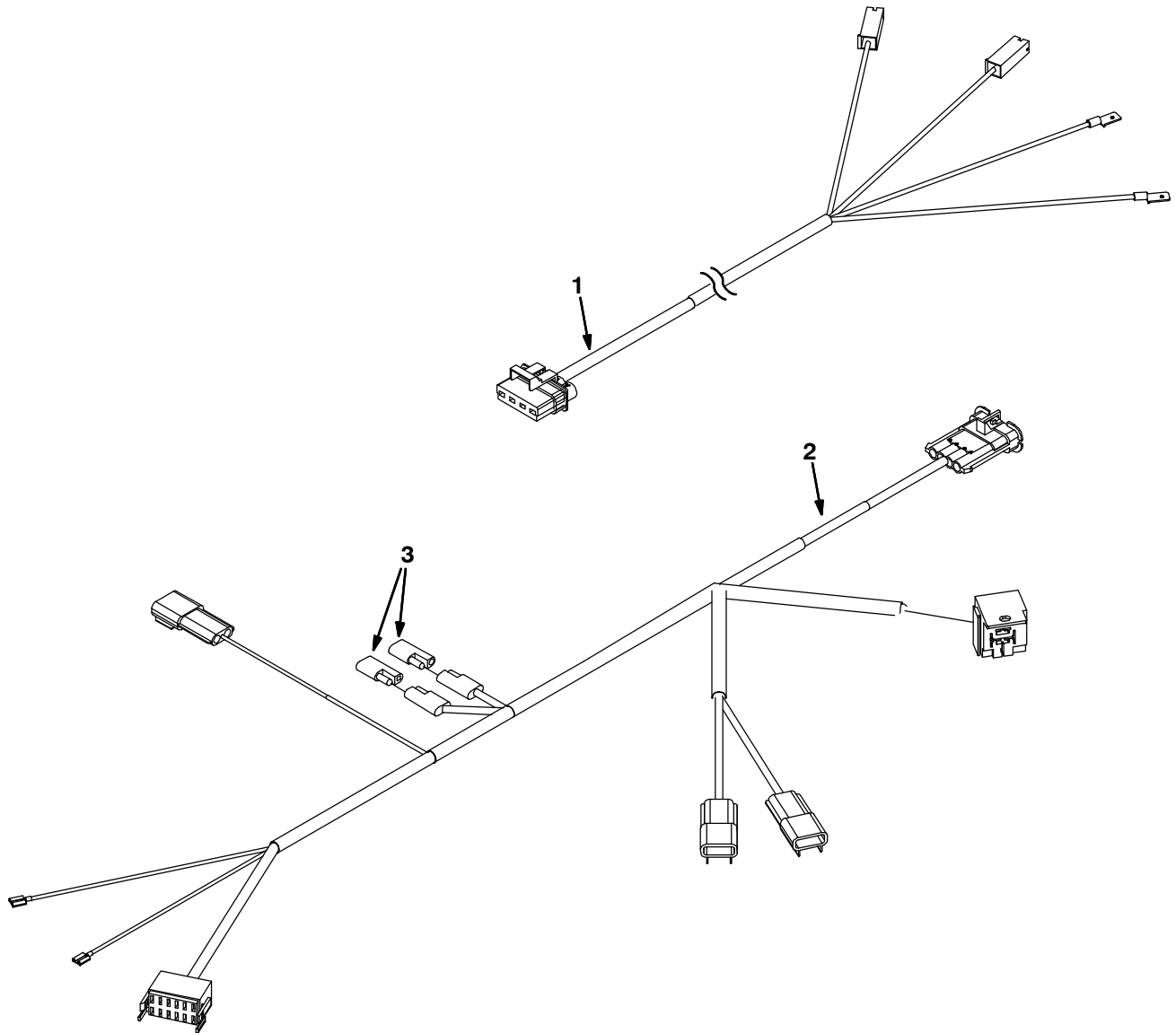
Fig. 61 - Electrical Wire Harness Group, FaST (000000-004791)



354203 - 7300

Ref.	Tenant Part No.	Machine Serial Number	Description	Qty.
1	1010325	(000000-004014)	Harness, Fast, 7300/8300	1
2	222290	(000000-004791)	Diode, Ele, Plug	3
3	1015096	(000000-004791)	Plug, Resistor	1
4	1017288	(004015-004791)	Harness, Rear, [Fast 7300/8300]	1
5	1017289	(004015-004791)	Harness [Fast 7300/8300]	1

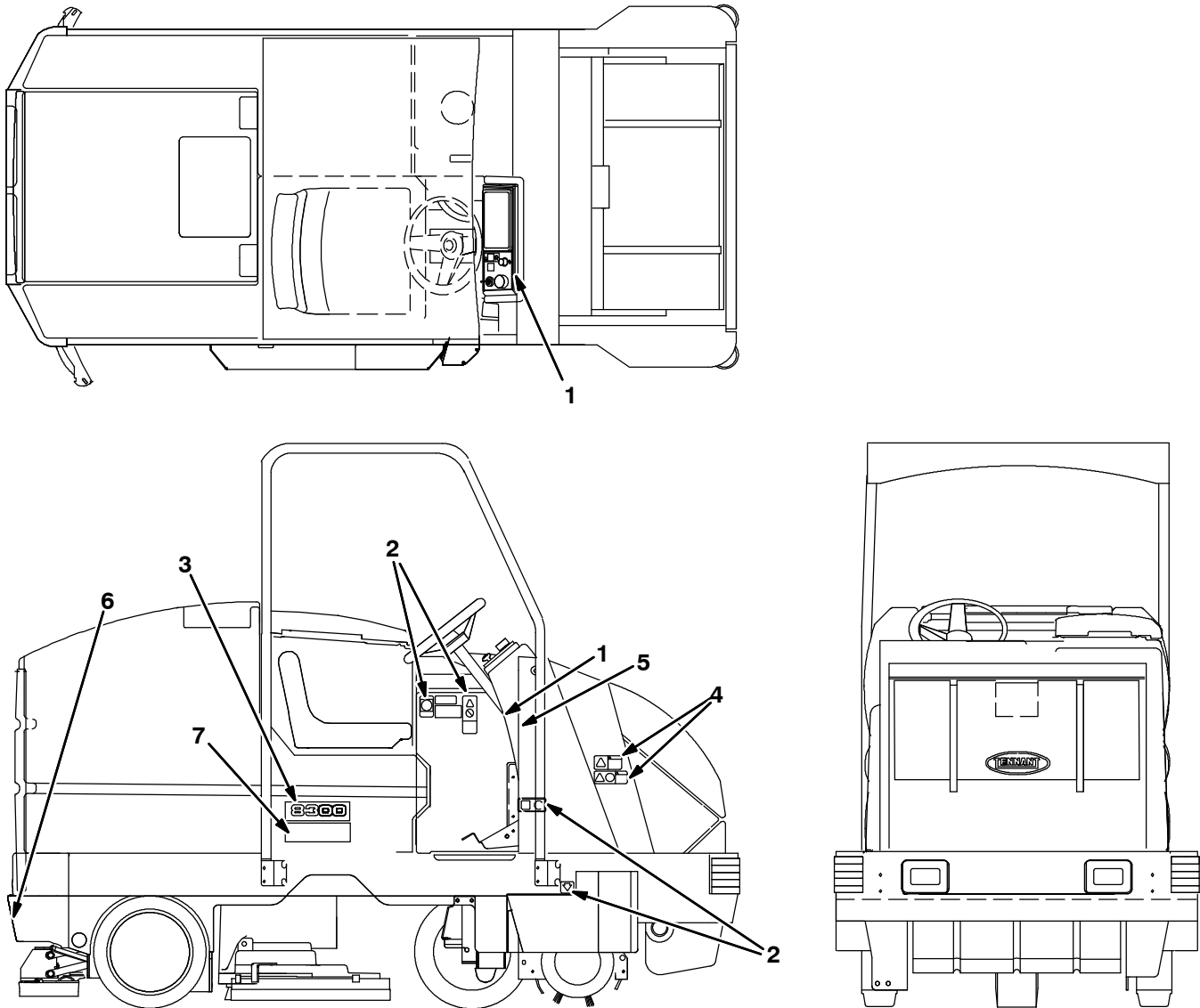
Fig. 62 - Eleactrical Wire Harness Group, FaST (004792-)



354203 - 7300

Ref.	Tenant Part No.	Machine Serial Number	Description	Qty.
1	1017288	(004792-)	Harness, Rear [FaST 7300/8300]	1
2	1052588	(004792-)	Harness [FaST II+ 7300/8300]	1
3	222290	(004792-)	Diode, Ele, Plug	2

Fig. 63 - Label Group



353382

Ref.	Tennant Part No.	Machine Serial Number	Description	Qty.
1	386130	(000000-)	Label Set, Operational, 7300/8300	1
2	387032	(000000-)	Label Set, Info & Hzd	1
3	1059038	(000000-)	Label, Tank, BI-Gr [8300]	2
4	387068	(000000-)	Label Set, Info & Hzd	1
5	387520	(000000-)	Tag, Operator, [8300]	1
6	387525	(000000-)	Label, Sqge	1
7	1056947	(000000-)	Label, Blue-Green [FaST]	2
7	1056944	(000000-)	Label, Tank [ec-H20]	2
7	1056945	(000000-)	Label, Tank [ES]	2

SECTION 3

Contents	Page
Fig. 1 - Revolving Light Kit (000000-006999)	3-4
Fig. 2 - Revolving Light Kit (007000-)	3-6
Fig. 3 - Revolving Light Kit, Overhead Guard (000000-006999)	3-8
Fig. 4 - Revolving Light Kit, Overhead Guard (007000-)	3-10
Fig. 5 - Backup Alarm Kit (000000-006999)	3-12
Fig. 6 - Backup Alarm Kit (007000-)	3-14
Fig. 7 - Rear Bumper Kit (000000-006999)	3-16
Fig. 8 - Rear Bumper Kit (007000-)	3-17
Fig. 9 - Overhead Guard Kit (000000-006999)	3-18
Fig. 10 - Overhead Guard Kit (007000-)	3-20
Fig. 11 - Seat Belt Kit	3-22
Fig. 12 - Suspension Seat Kit	3-24
Fig. 13 - Left Side Brush Motor and Pivot Group	3-26
Fig. 14 - Left Side Brush Lift Group	3-28
Fig. 15 - Max Pro 1200 (Disc-Brush) Scrub Head Frame Group	3-30
Fig. 16 - Max Pro 1200 (Disc-Brush) Scrub Head Linkage Group	3-32
Fig. 17 - Max Pro 1200 (Disc-Brush) Solution Valve Group	3-34
Fig. 18 - Max Pro 1200 (Disc-Brush) Solution Valve Group (FaST/ec-H ₂ O)	3-36
Fig. 19 - Max Pro 1200 (Disc-Brush) Edge Scrub Group	3-38
Fig. 20 - Max Pro 1200 (Disc-Brush) Right Side Squeegee Group	3-40
Fig. 21 - Max Pro 1200 (Disc-Brush) Right Side Vacuumized Squeegee Group	3-42
Fig. 22 - Max Pro 1200 (Disc-Brush) Left Side Squeegee Group	3-44
Fig. 23 - Max Pro 1000 (Cylindrical Brush) Scrub Head Frame and Linkage Group	3-46
Fig. 24 - Max Pro 1000 (Cylindrical Brush) Scrub Head Drive Group	3-48
Fig. 25 - Max Pro 1000 (Cylindrical Brush) Solution Valve Group	3-50
Fig. 26 - Max Pro 1000 (Cylindrical Brush) Solution Valve Group (FaST/ec-H ₂ O)	3-52

Contents	Page
Fig. 27 - Max Pro 1000 (Cylindrical Brush) Edge Scrub Group	3-54
Fig. 28 - Max Pro 1000 (Cylindrical Brush) Right Side Squeegee Group	3-56
Fig. 29 - Max Pro 1000 (Cylindrical Brush) Left Side Squeegee Group	3-58
Fig. 30 - Max Pro 1000 (Cylindrical Brush) Debris Tray Group	3-60
Fig. 31 - Max Pro 1000 (Cylindrical Brush) Vacuumized Debris Tray Group	3-62
Fig. 32 - Max Pro 1200 (Cylindrical Brush) Scrub Head Frame and Linkage Group	3-64
Fig. 33 - Max Pro 1200 (Cylindrical Brush) Scrub Head Drive Group	3-68
Fig. 34 - Max Pro 1200 (Cylindrical Brush) Solution Valve Group	3-70
Fig. 35 - Max Pro 1200 (Cylindrical Brush) Solution Valve Group (FaST/ec-H ₂ O)	3-72
Fig. 36 - Max Pro 1200 (Cylindrical Brush) Edge Scrub Group	3-74
Fig. 37 - Max Pro 1200 (Cylindrical Brush) Right Side Squeegee Group	3-76
Fig. 38 - Max Pro 1200 (Cylindrical Brush) Left Side Squeegee Group	3-78
Fig. 39 - Max Pro 1200 (Cylindrical Brush) Debris Tray Group	3-80
Fig. 40 - Max Pro 1200 (Cylindrical Brush) Vacuumized Debris Tray Group	3-82
Fig. 41 - ES Pump Group	3-84
Fig. 42 - ES Tank Goup	3-86
Fig. 43 - ES Drain Assembly	3-88
Fig. 44 - ec-H ₂ O Solution Pump Group	3-90
Fig. 45 - ec-H ₂ O Switch and Label Group	3-92
Fig. 46 - ec-H ₂ O Wire Harnesses Group	3-94
Fig. 47 - ec-H ₂ O Install Kits	3-95
Fig. 48 - Positive Solution Control Drain Kit, Recovery Tank (000000-006999)	3-96
Fig. 49 - Positive Solution Control Drain Kit, Recovery Tank (007000-)	3-98
Fig. 50 - Positive Solution Control Drain Kit, Solution Tank (000000-006999)	3-100
Fig. 51 - Positive Solution Control Drain Kit, Solution Tank (007000-)	3-102
Fig. 52 - Low Water Level Kit	3-104
Fig. 53 - Detergent Metering Kit	3-106
Fig. 54 - Power Wand Hose Assembly	3-108
Fig. 55 - Power Wand Assembly	3-110
Fig. 56 - Power Wand Pump and Fittings Group	3-112
Fig. 57 - Power Wand Mount Group	3-114
Fig. 58 - Vacuum Wand Kit	3-116

OPTIONS

Contents	Page
Fig. 59 - Max Pro 1200 Rear Squeegee Group (000000-006999)	3-118
Fig. 60 - Max Pro 1200 Rear Squeegee Group (007000-)	3-120
Fig. 61 - Max Pro 1200 Rear Squeegee Group for Vacuumized Side Squeegee (000000-006999)	3-122
Fig. 62 - Max Pro 1200 Rear Squeegee Group for Vacuumized Side Squeegee (007000-)	3-124
Fig. 63 - Max Pro 1000 Urethane Squeegee Kit	3-126
Fig. 64 - Max Pro 1200 Urethane Squeegee Kit	3-127
Fig. 65 - Battery Rollout Kit	3-128
Fig. 66 - Battery Forklift Kit	3-130
Fig. 67 - Battery Kit, 500AH Wet	3-132
Fig. 68 - Battery Kit, 600AH (000000-006999)	3-134
Fig. 69 - Battery Kit, 600AH (007000-)	3-136
Fig. 70 - Battery Kit, 750AH Wet	3-138
Fig. 71 - Battery Kit, 1000AH Wet (000000-006999)	3-140
Fig. 72 - Battery Kit, 1000AH Wet (007000-)	3-142
Fig. 73 - Battery Tray Group	3-144
Fig. 74 - Battery Charger Group, 120A, 36V, 60Hz 1Ph (500Ah Batteries)	3-145
Fig. 75 - Battery Charger Group, 120A, 36V, 60Hz 3Ph (500Ah Batteries)	3-146
Fig. 76 - Battery Charger Group, 150A, 36V, 60Hz (750Ah Batteries)	3-147
Fig. 77 - Battery Charger Group, 93A, 36V, 60Hz 1Ph (600Ah Batteries)	3-148
Fig. 78 - Battery Charger Group, 93A, 36V, 60Hz 3Ph (600Ah Batteries)	3-149
Fig. 79 - Battery Charger Group, 210A, 36V, 60Hz, 3Ph (1000 Ah Batteries)	3-150
Fig. 80 - Fire Extinguisher Kit	3-151
Fig. 81 - Documentation Group	3-152

Fig. 1 - Revolving Light Kit (000000-006999)

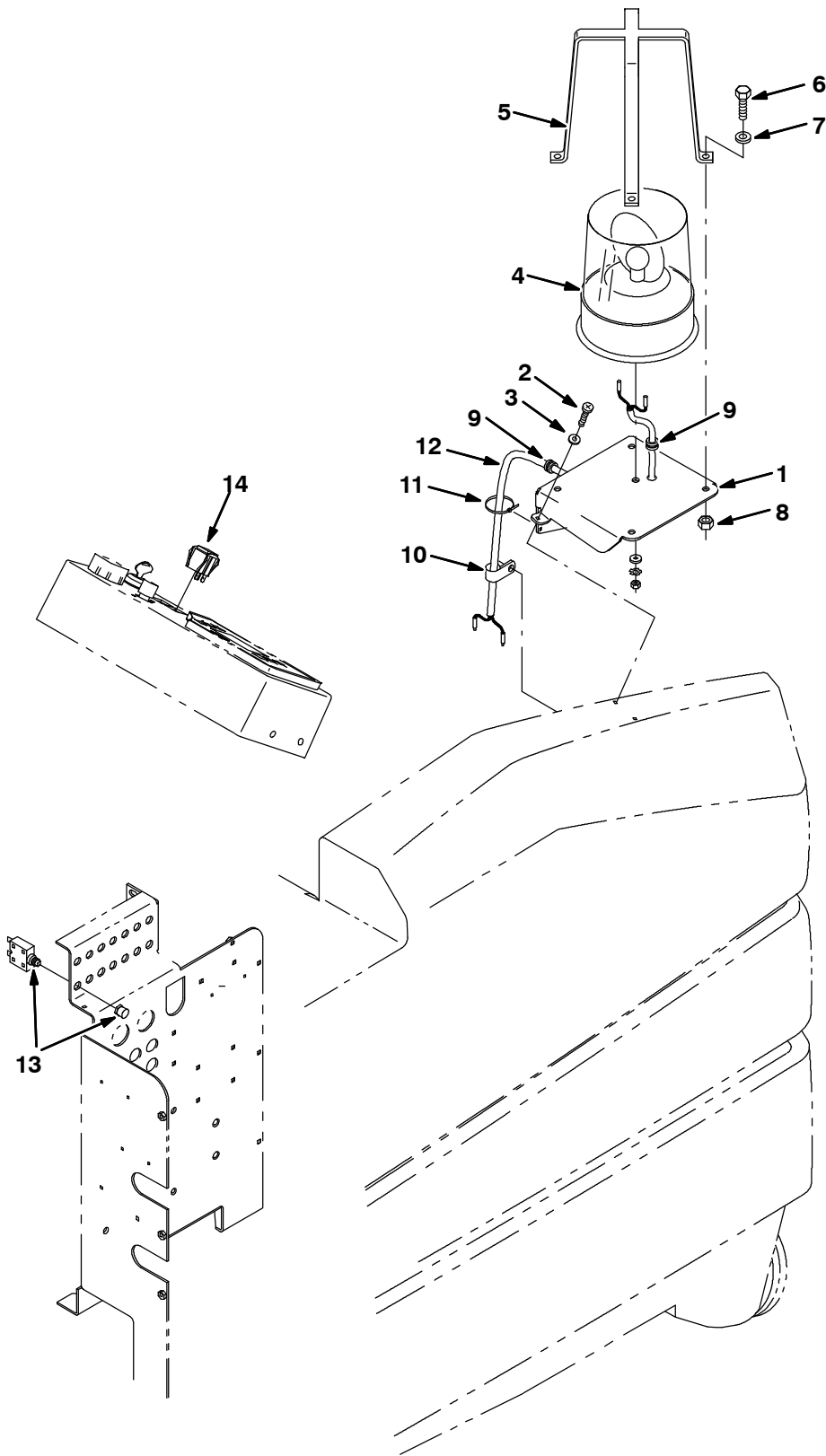


Fig. 1 - Revolving Light Kit (000000-006999)

	Tennant	Machine			Qty.
Ref.	Part No.	Serial Number	Description		
▽	387301	(000000-006999)	Kit, Cl, Light, Revl W/O OHG		1
▲	1 387157	(000000-006999)	Bracket, Mtg		1
▲	2 360943	(000000-006999)	Screw, Pan, #10-14 X 0.75, F/Plstc		5
▲	3 19066	(000000-006999)	Washer, Flt, #10		4
▲▽	4 87709	(000000-006999)	Light, Revl, 36vdc, Amb, Rework 44684		1
▲▲	44681-1	(000000-006999)	Lens, Amber, Light, Revl		1
▲▲	45283	(000000-006999)	Lamp, 40vdc, 0.9a, [50cp#1062]		1
▲	5 45272	(000000-006999)	Guard Wldt, Light, Revl/Fish		1
▲	6 39277	(000000-006999)	Screw, Hex, M08 X 1.25 X 25, 8.8		4
▲	7 39349	(000000-006999)	Washer, Flt, .31 Sae		4
▲	8 07791	(000000-006999)	Nut, Hex, Flng, M08 X 1.25		4
▲	9 10632-12	(000000-006999)	Grommet, Rbr, 0.38id, F/ 0.5h, .12matl		2
▲	10 26395-2	(000000-006999)	Clamp, Cable, Stl, 0.38d X 0.38w, 1h		1
▲	11 49266	(000000-006999)	Tie, Cable, Nyl, 07.3l .19w 1.8 Max D		1
▲	12 386609	(000000-006999)	Harness, Light, Revl, Shrd		1
▲	13 383722	(000000-006999)	Circuitbreaker, 15.0 A		1
▲	14 360520	(000000-006999)	Switch, Rocker		1
	44681	(000000-006999)	Lens, Rev. Light, Red		1
	44681-2	(000000-006999)	Lens, Rev. Light, Blue		1

Fig. 2 - Revolving Light Kit (007000-)

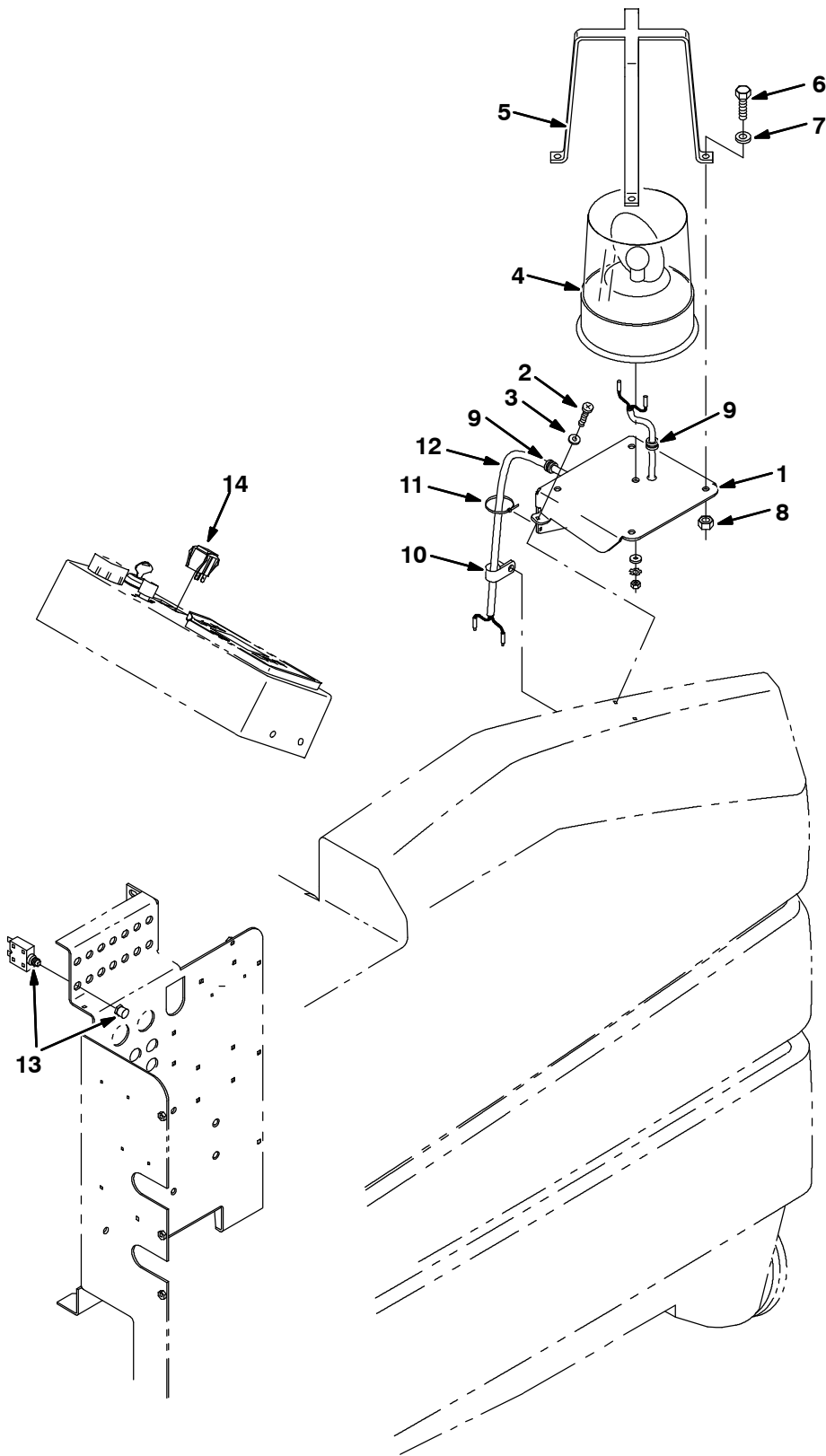


Fig. 2 - Revolving Light Kit (007000-)

	Ref.	Tennant Part No.	Machine Serial Number	Description	Qty.
▽		9006949	(007000-) Light Kit, Revl, W/O Ohg, Iron Gray, Ci	1
▲	1	1057069	(007000-) Bracket, Mtg, Iron Gray	1
▲	2	360943	(007000-) Screw, Pan, #10-14 X 0.75, F/Plstc	5
▲	3	19066	(007000-) Washer, Flt, #10	4
▲▽	4	87709	(007000-) Light, Revl, 36vdc, Amb, Rework 44684	1
▲▲		44681-1	(007000-) Lens, Amber, Light, Revl	1
▲▲		45283	(007000-) Lamp, 40vdc, 0.9a, [50cp#1062]	1
▲	5	1056464	(007000-) Guard Wldt, Light, Revl/Flsh, Iron Gray	1
▲	6	39277	(007000-) Screw, Hex, M08 X 1.25 X 25, 8.8	4
▲	7	39349	(007000-) Washer, Flt, .31 Sae	4
▲	8	07791	(007000-) Nut, Hex, Flng, M08 X 1.25	4
▲	9	10632-12	(007000-) Grommet, Rbr, 0.38id, F/ 0.5h, .12matl	2
▲	10	26395-2	(007000-) Clamp, Cable, Stl, 0.38d X 0.38w, 1h	1
▲	11	49266	(007000-) Tie, Cable, Nyl, 07.3l .19w 1.8 Max D	1
▲	12	386609	(007000-) Harness, Light, Revl, Shrd	1
▲	13	383722	(007000-) Circuitbreaker, 15.0 A	1
▲	14	360520	(007000-) Switch, Rocker	1
		44681	(007000-) Lens, Rev. Light, Red	1
		44681-2	(007000-) Lens, Rev. Light, Blue	1

Fig. 3 - Revolving Light Kit, Overhead Guard (000000-0069999)

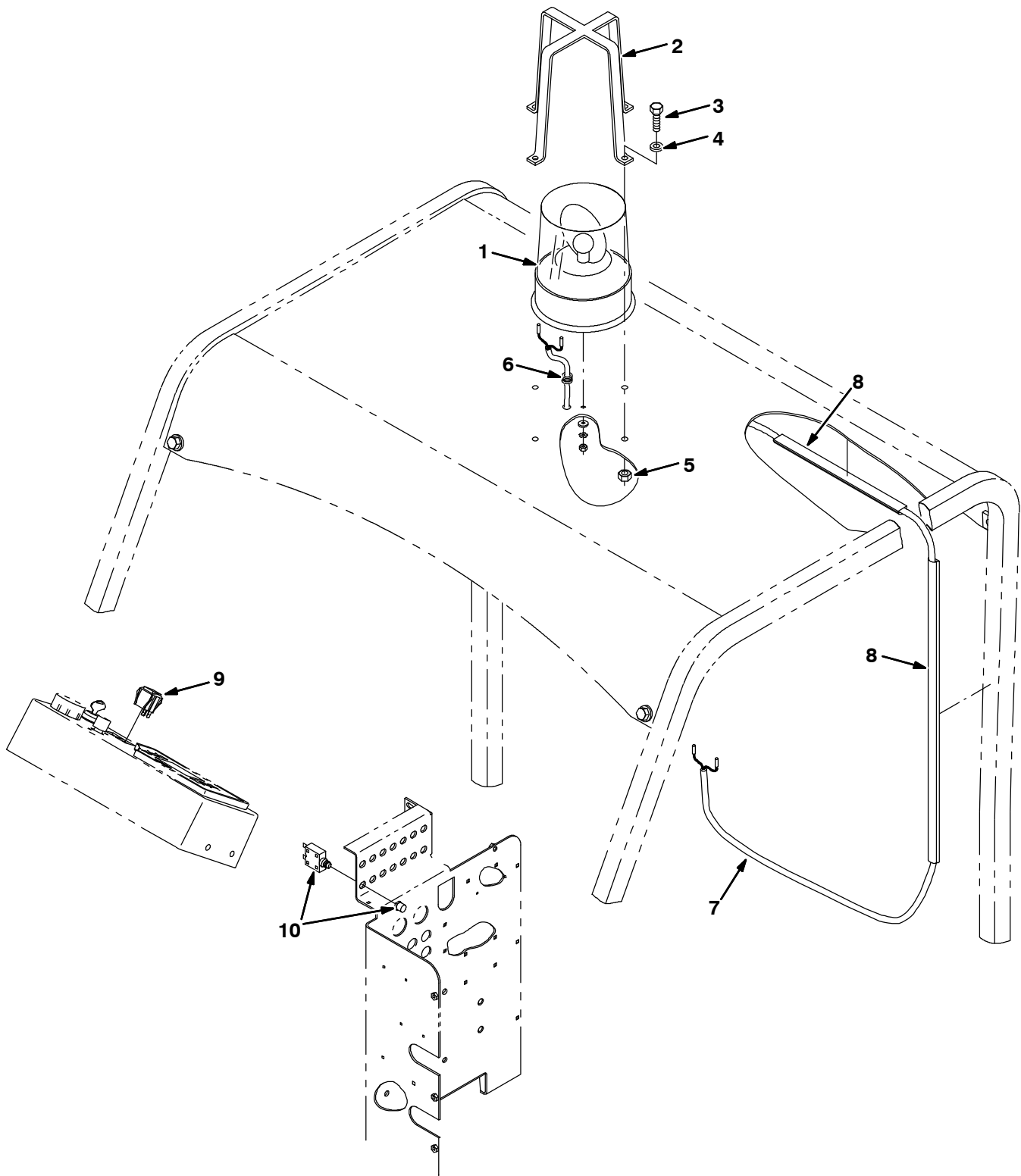


Fig. 3 - Revolving Light Kit, Overhead Guard (000000-006999)

	Ref.	Tennant Part No.	Machine Serial Number	Description	Qty.
▽		387300	(000000-006999)	Light Kit, Revl, W/ Ohg, Ci [7300/8300]	1
▲▽	1	87709	(000000-006999)	Light, Revl, 36vdc, Amb, Rework 44684	1
▲▲		44681-1	(000000-006999)	Lens, Amber, Light, Revl	1
▲▲		45283	(000000-006999)	Lamp, 40vdc, 0.9a, [50cp#1062]	1
▲	2	45272	(000000-006999)	Guard Wldt, Light, Revl/Flsh	1
▲	3	39277	(000000-006999)	Screw, Hex, M08 X 1.25 X 25, 8.8	4
▲	4	39349	(000000-006999)	Washer, Flt, .31 Sae	4
▲	5	07791	(000000-006999)	Nut, Hex, Flng, M08 X 1.25	4
▲	6	10632-12	(000000-006999)	Grommet, Rbr, 0.38id, F/ 0.5h, .12matl	1
▲	7	386605	(000000-006999)	Harness, Warning Light, Alarm	1
▲	8	1064050	(000000-006999)	Duct, Afmkt, Vyl, 0.40 X 0.75 .25D, 04Ft	2
▲	9	360520	(000000-006999)	Switch, Rocker	1
▲	10	383722	(000000-006999)	Circuitbreaker, 15.0 A	1
		44681	(000000-006999)	Lens, Rev. Light, Red	1
		44681-2	(000000-006999)	Lens, Rev. Light, Blue	1

Fig. 4 - Revolving Light Kit, Overhead Guard (007000-)

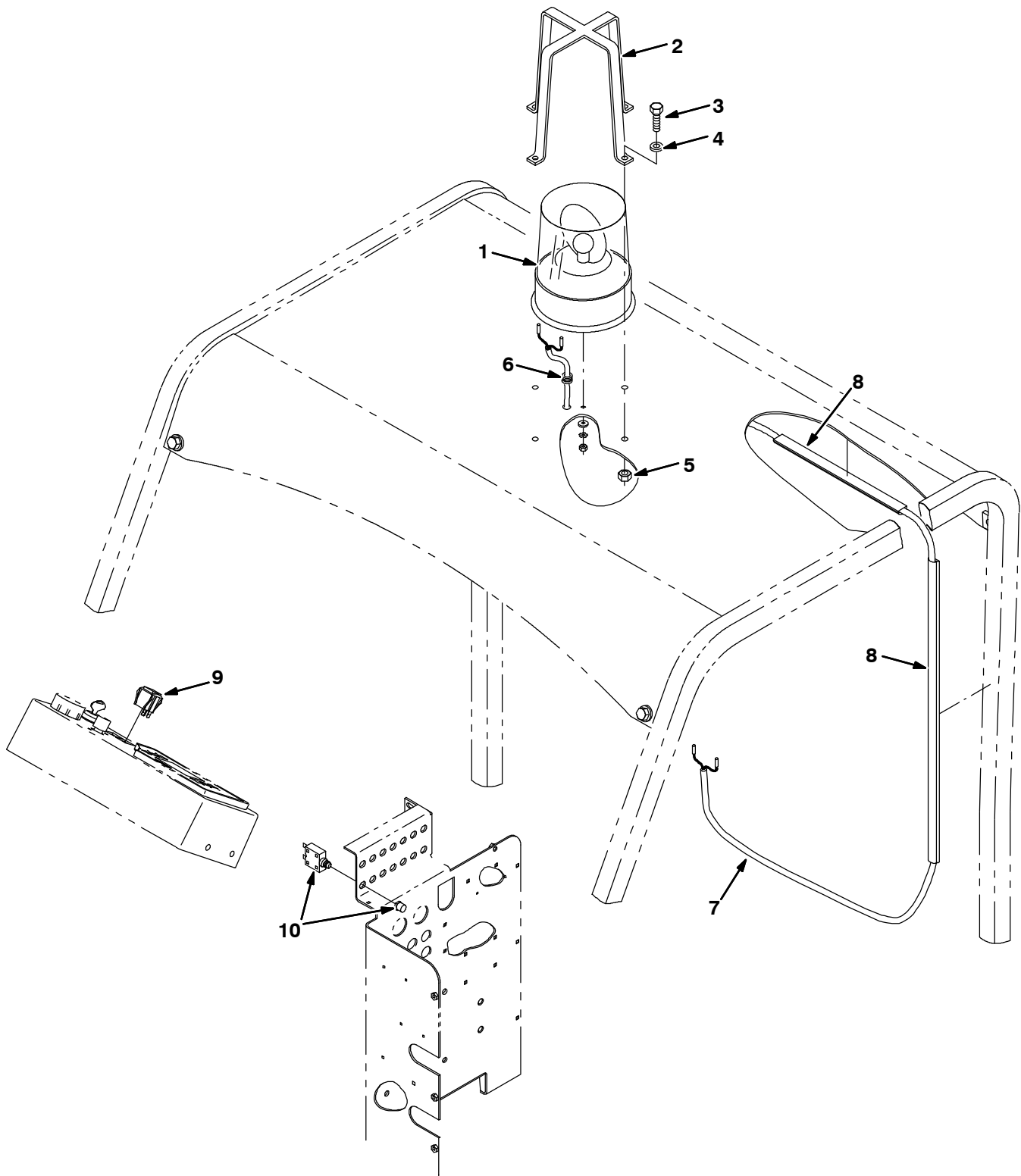


Fig. 4 - Revolving Light Kit, Overhead Guard (007000-)

	Ref.	Tennant Part No.	Machine Serial Number	Description	Qty.
▽		9006948	(007000-) Kit, Cl, Light, Revl W/ Ohg	1
▲▽	1	87709	(007000-) Light, Revl, 36vdc, Amb, Rework 44684	1
▲▲		44681-1	(007000-) Lens, Amber, Light, Revl	1
▲▲		45283	(007000-) Lamp, 40vdc, 0.9a, [50cp#1062]	1
▲	2	1056464	(007000-) Guard Wldt, Light, Revl/Flsh	1
▲	3	39277	(007000-) Screw, Hex, M08 X 1.25 X 25, 8.8	4
▲	4	39349	(007000-) Washer, Flt, .31 Sae	4
▲	5	07791	(007000-) Nut, Hex, Flng, M08 X 1.25	4
▲	6	10632-12	(007000-) Grommet, Rbr, 0.38id, F/ 0.5h, .12matl	1
▲	7	386605	(007000-) Harness, Warning Light, Alarm	1
▲	8	1064050	(007000-) Duct, Afmkt, Vyl, 0.40 X 0.75 .25D, 04Ft	1
▲	9	360520	(007000-) Switch, Rocker	1
▲	10	383722	(007000-) Circuitbreaker, 15.0 A	1
		44681	(007000-) Lens, Rev. Light, Red	1
		44681-2	(007000-) Lens, Rev. Light, Blue	1

Fig. 5 - Backup Alarm Kit (000000-006999)

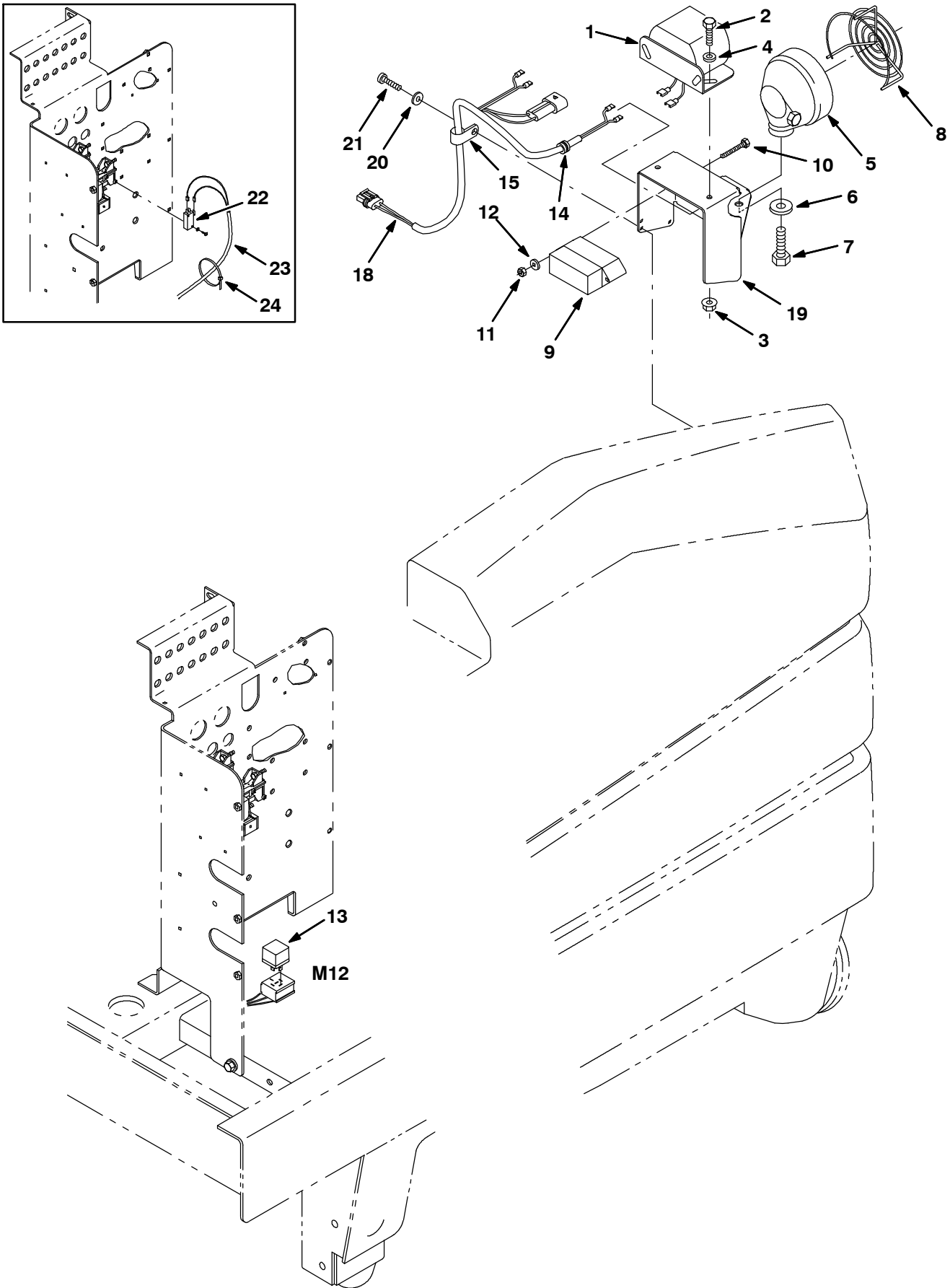


Fig. 5 - Backup Alarm Kit (000000-006999)

Ref.	Tennant Part No.	Machine Serial Number	Description	Qty.
▽	387208	(000000-006999)	Kit, Cl, Alarm, Backup, 36Vdc	1
▲	1 9007131	(000000-006999)	Alarm Assy, Backup, 12/48Vdc	1
▲	2 06943	(000000-006999)	Screw, Hex, M06 X 1.0 X 20, 8.8	2
▲	3 07790	(000000-006999)	Nut, Hex, Flng, M06 X 1.0	2
▲	4 19066	(000000-006999)	Washer, Flt, #10	2
▲▽	5 72172	(000000-006999)	Light, Spot, 36vdc, 60w Rework 72173	1
▲▲	45391	(000000-006999)	Headlight, 36Vdc, 60 Watt 1.7A	1
▲	6 32486	(000000-006999)	Washer, Flt, .50 Sae	1
▲	7 39807	(000000-006999)	Screw, Hex, .50-13 X 0.75, 5	1
▲	8 72174	(000000-006999)	Guard, Light	1
▲	9 72164	(000000-006999)	Flasher, 12/48vdc 5a #6309/12-48vdc	1
▲	10 06949	(000000-006999)	Screw, Hex, M06 X 1.0 X 50, 8.8	2
▲	11 08708	(000000-006999)	Nut, Hex, Lock, M06 X 1.0, NI	2
▲	12 32483	(000000-006999)	Washer, Flt, .25 Sae	2
▲	13 398526	(000000-006999)	Relay, 36vdc, 5a, Spdt, [Greenwich]	1
▲	14 10632-12	(000000-006999)	Grommet, Rbr, 0.38id, F/ 0.5h, .12matl	1
▲	15 26395-2	(000000-006999)	Clamp, Cable, Stl, 0.38d X 0.38w, 1h	1
▲	16 32980	(000000-006999)	Washer, Lock, Int, #10	2
▲	17 38622	(000000-006999)	Spring	1
▲	18 386606	(000000-006999)	Harness, Backup Alarm, Shrd	1
▲	19 387158	(000000-006999)	Bracket, Mtg	1
▲	20 19066	(000000-006999)	Washer, Flt, #10	5
▲	21 360943	(000000-006999)	Screw, Pan, #10-14 X 0.75, F/Plstc	6
▲	22 28622	(000000-003545)	Kit, Switch, Micro	1
▲	23 387344	(000000-003545)	Harness, Wire, Jumper, Reverse Switch	1
▲	24 49266	(000000-003545)	Tie, Cable, Nyl, 07.3l .19w 1.8 Max D	4

Fig. 6 - Backup Alarm Kit (007000-)

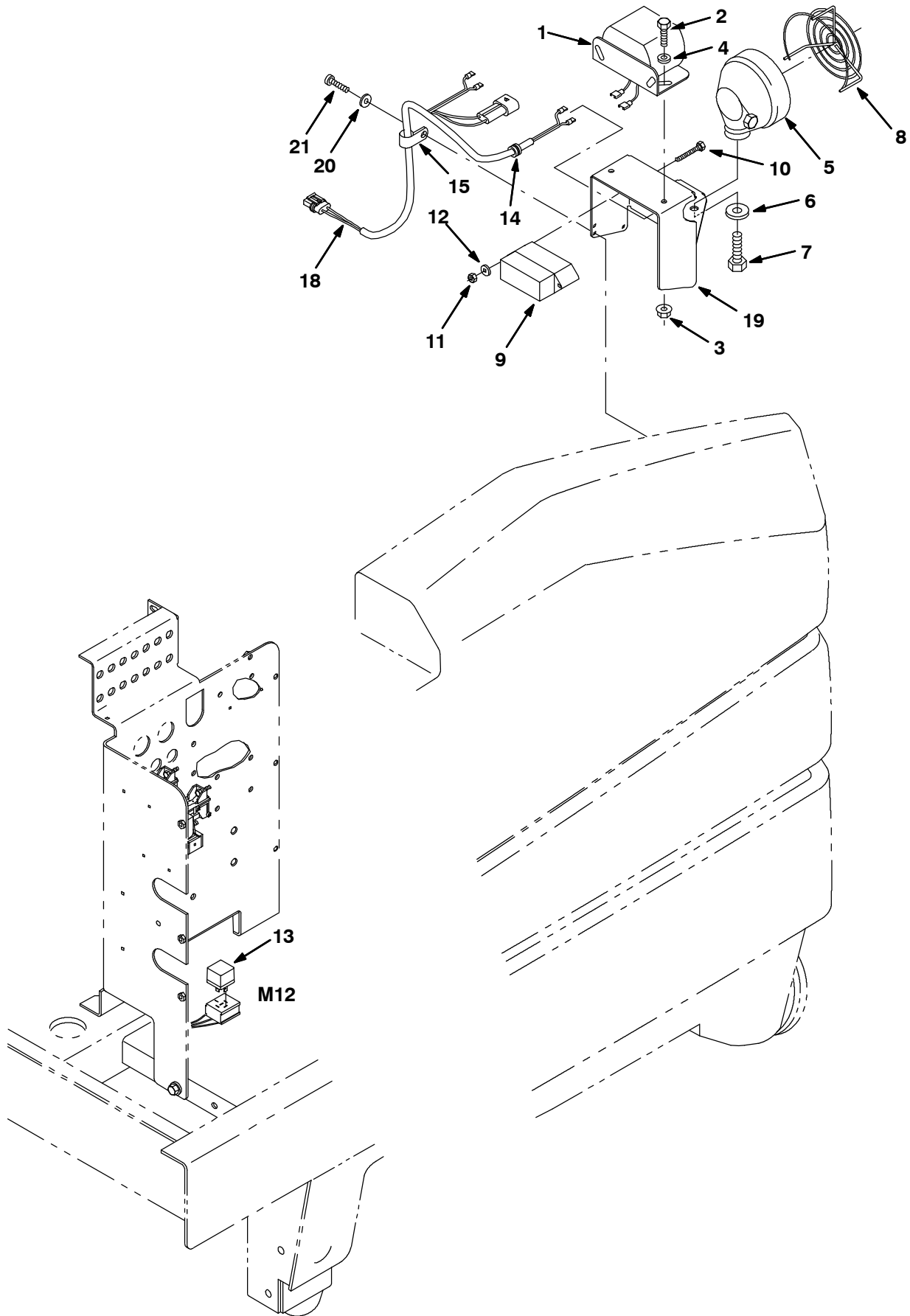
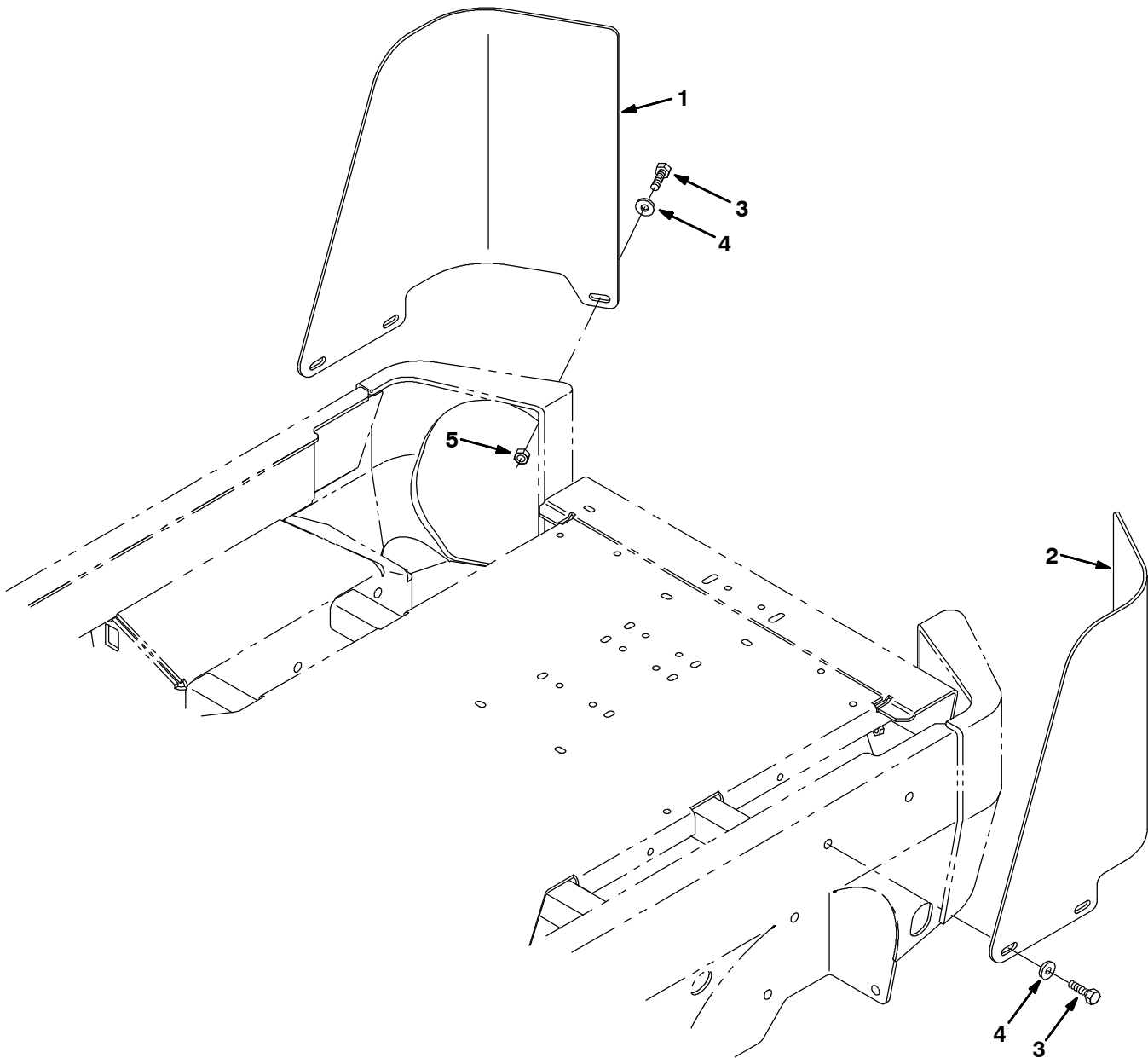


Fig. 6 - Backup Alarm Kit (007000-)

Ref.	Tennant Part No.	Machine Serial Number	Description	Qty.
▽	9006947	(007000-) Alarm Kit, Backup / A/V, Iron Gray, Ci	1
▲	1 9007131	(007000-) Alarm Assy, Backup, 12/48Vdc	1
▲	2 06943	(007000-) Screw, Hex, M06 X 1.0 X 20, 8.8	2
▲	3 07790	(007000-) Nut, Hex, Flng, M06 X 1.0	2
▲	4 19066	(007000-) Washer, Flt, #10	2
▲▽	5 72172	(007000-) Light, Spot, 36vdc, 60w Rework 72173	1
▲▲	45391	(007000-) Headlight, 36Vdc, 60 Watt 1.7A	1
▲	6 32486	(007000-) Washer, Flt, .50 Sae	1
▲	7 39807	(007000-) Screw, Hex, .50-13 X 0.75, 5	1
▲	8 72174	(007000-) Guard, Light	1
▲	9 72164	(007000-) Flasher, 12/48vdc 5a #6309/12-48vdc	1
▲	10 06949	(007000-) Screw, Hex, M06 X 1.0 X 50, 8.8	2
▲	11 08708	(007000-) Nut, Hex, Lock, M06 X 1.0, NI	2
▲	12 32483	(007000-) Washer, Flt, .25 Sae	2
▲	13 398526	(007000-) Relay, 36vdc, 5a, Spdt, [Greenwich]	1
▲	14 10632-12	(007000-) Grommet, Rbr, 0.38id, F/ 0.5h, .12matl	1
▲	15 26395-2	(007000-) Clamp, Cable, Stl, 0.38d X 0.38w, 1h	1
▲	16 32980	(007000-) Washer, Lock, Int, #10	2
▲	17 38622	(007000-) Spring	1
▲	18 386606	(007000-) Harness, Backup Alarm, Shrd	1
▲	19 1056480	(007000-) Bracket, Mtg, Iron Gray	1
▲	20 19066	(007000-) Washer, Flt, #10	5
▲	21 360943	(007000-) Screw, Pan, #10-14 X 0.75, F/Plstc	6

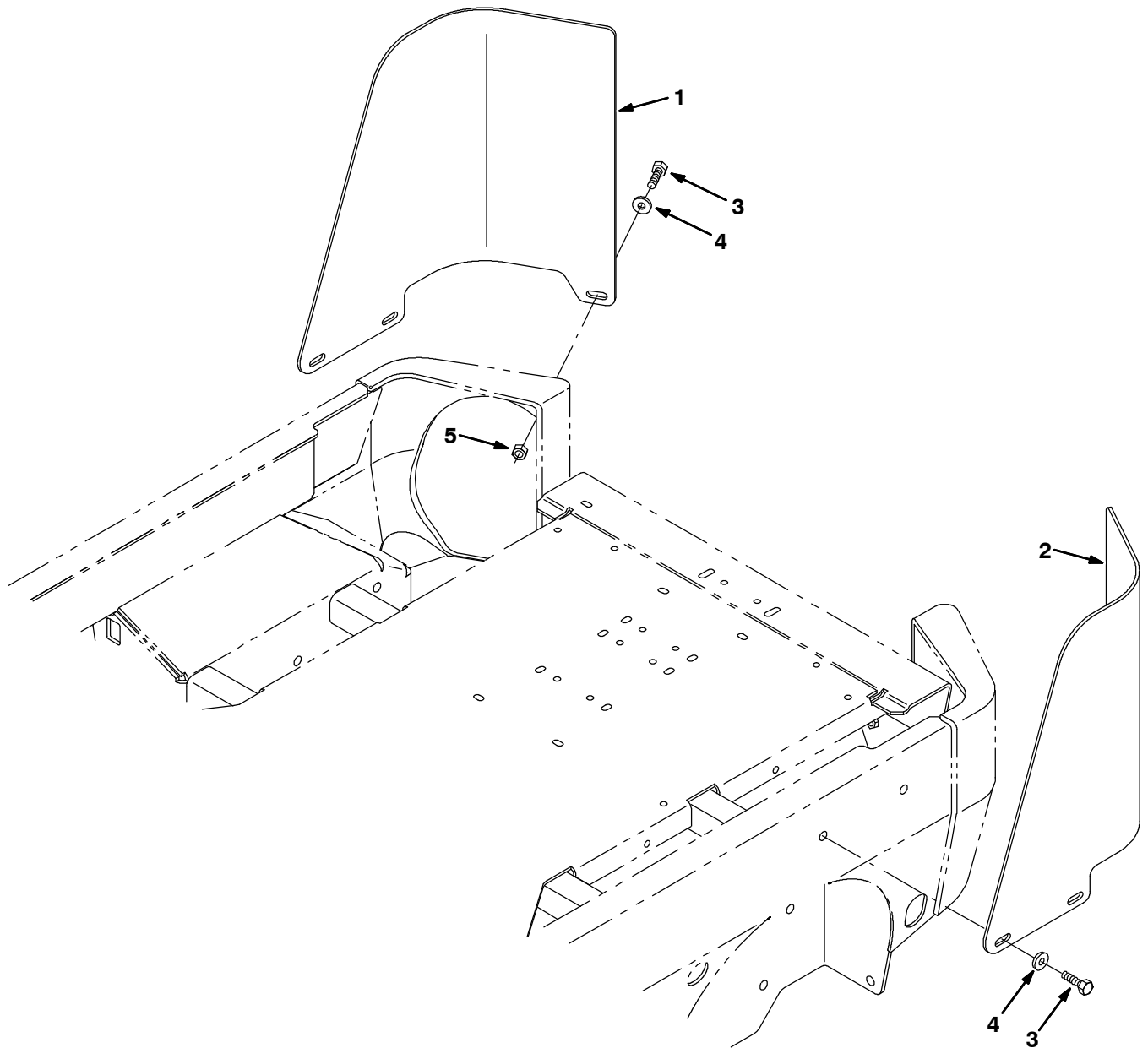
Fig. 7 - Rear Bumper Kit (000000-006999)



353353

Ref.	Tennant Part No.	Machine Serial Number	Description	Qty.
▽	386417	(000000-006999)	Kit, Ci, Bumper, Rear	1
▲	1 386415	(000000-006999)	Bumper, Rear, Rh	1
▲	2 386416	(000000-006999)	Bumper, Rear, Lh	1
▲	3 09028	(000000-006999)	Screw, Hex, M10 X 1.5 X 25, Ss	6
▲	4 01686	(000000-006999)	Washer, Flt, .38 Ss	6
▲	5 08714	(000000-006999)	Nut, Hex, Lock, M10 X 1.5, NI, Ss	2

Fig. 8 - Rear Bumper Kit (007000-)



353353

Ref.	Tennant Part No.	Machine Serial Number	Description	Qty.
▽	9006925	(007000-)	Kit, Ci, Bumper, Rear	1
▲	1 1056473	(007000-)	Bumper, Rear, Rh, Iron Gray	1
▲	2 1056474	(007000-)	Bumper, Rear, Lh, Iron Gray	1
▲	3 09028	(007000-)	Screw, Hex, M10 X 1.5 X 25, Ss	6
▲	4 01686	(007000-)	Washer, Flt, .38 Ss	6
▲	5 08714	(007000-)	Nut, Hex, Lock, M10 X 1.5, NI, Ss	2

Fig. 9 - Overhead Guard Kit (000000-006999)

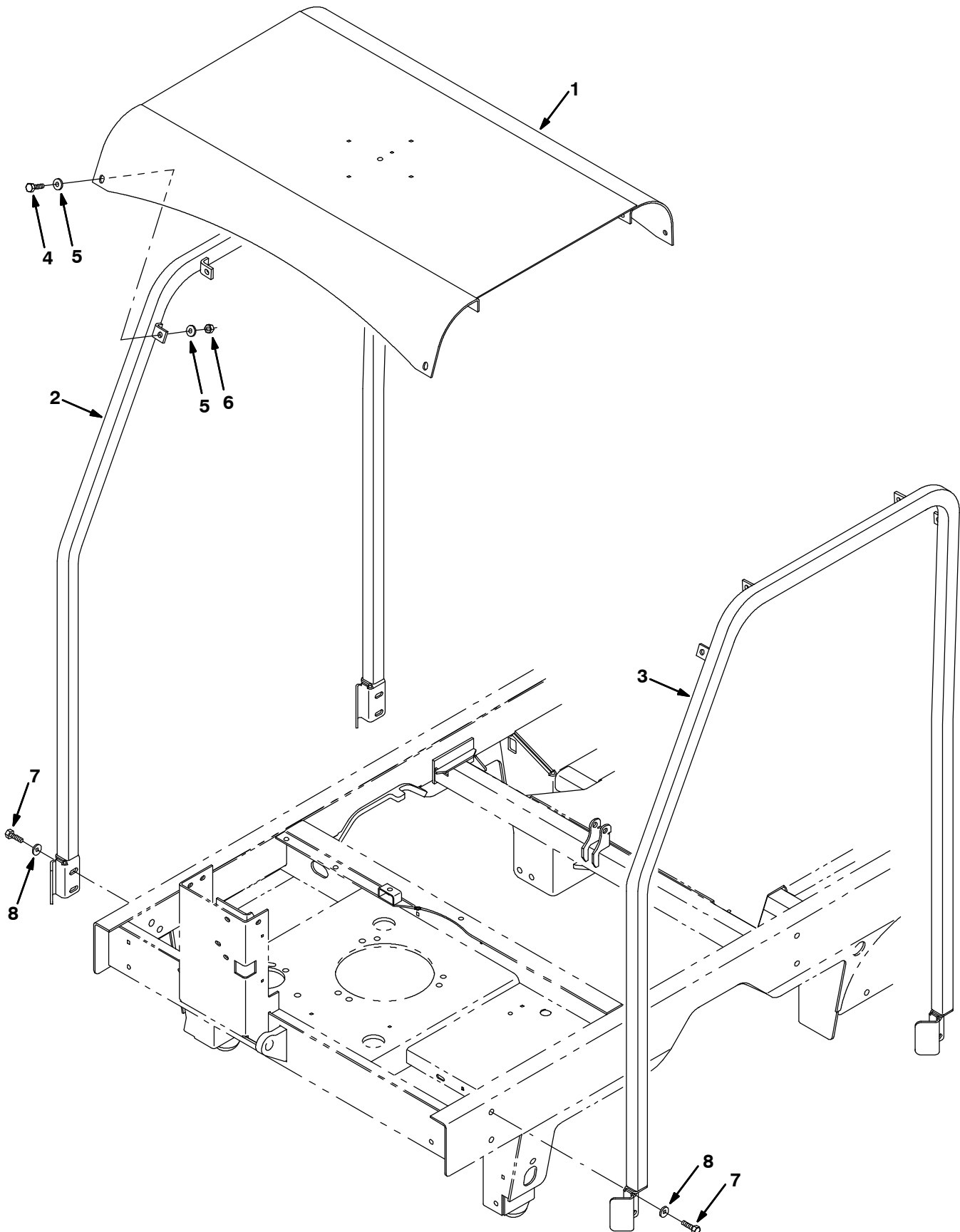


Fig. 9 - Overhead Guard Kit (000000-006999)

	Ref.	Tennant Part No.	Machine Serial Number	Description	Qty.
▽		386875	(000000-006999)	Kit, Ci, Ohg, [7300/8300]	1
▲	1	386642	(000000-006999)	Guard Wldt, Oprtr, Top	1
▲	2	386983	(000000-006999)	Tube, Guard, Oprtr, Pnt, Rh	1
▲	3	386984	(000000-006999)	Tube, Guard, Oprtr, Pnt, Lh	1
▲	4	06961	(000000-006999)	Screw, Hex, M10 X 1.5 X 20, 8.8	8
▲	5	32492	(000000-006999)	Washer, Flt, .38 Std	16
▲	6	41430	(000000-006999)	Nut, Hex, Lock, M10 X 1.5, NI	8
▲	7	09028	(000000-006999)	Screw, Hex, M10 X 1.5 X 25, Ss	8
▲	8	01686	(000000-006999)	Washer, Flt, .38 Ss	8

Fig. 10 - Overhead Guard Kit (007000-)

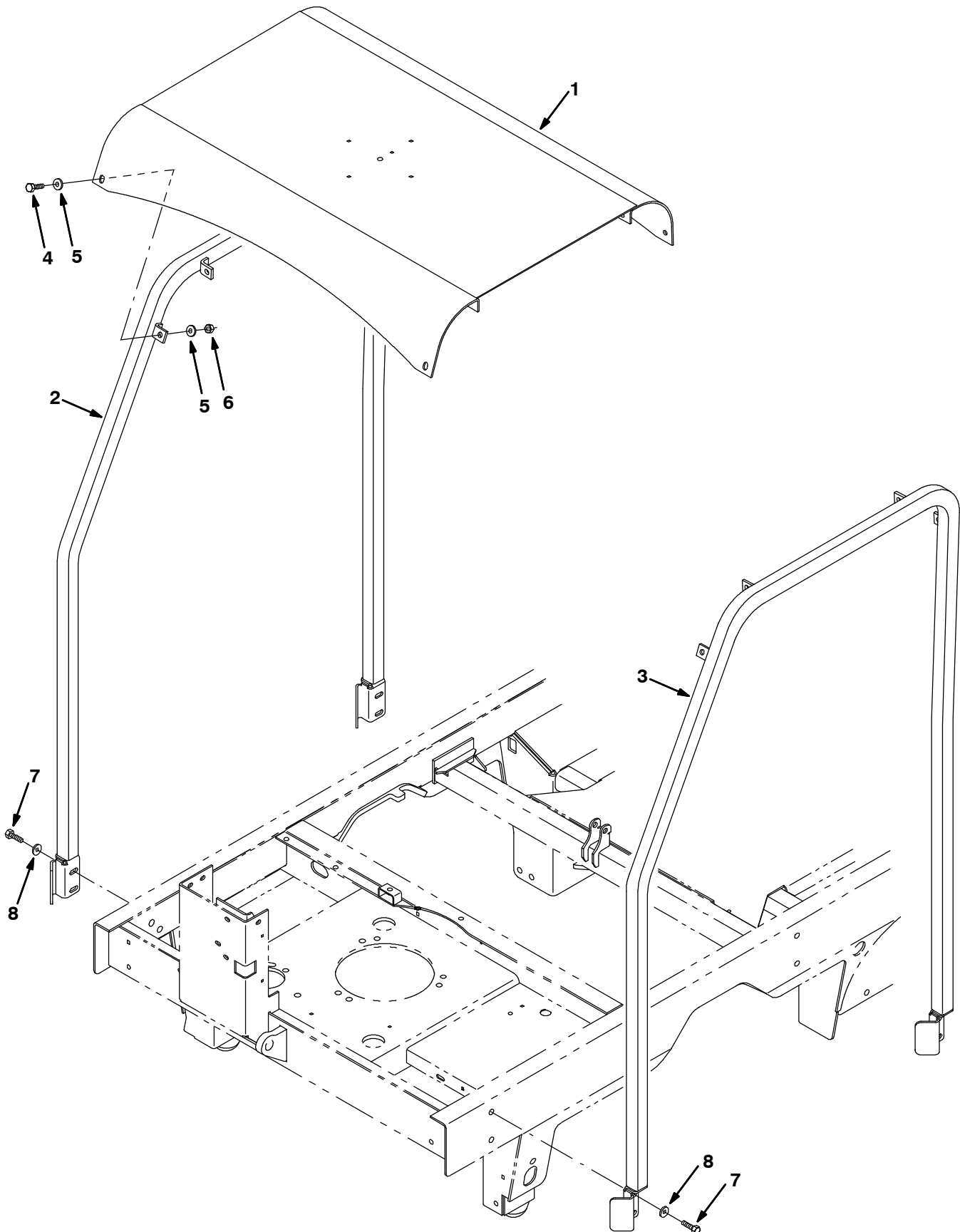


Fig. 10 - Overhead Guard Kit (007000-)

	Tennant Ref.	Part No.	Machine Serial Number	Description	Qty.
▽		9006935	(007000-) Ohg Kit, Iron Gray, Ci [7300/8300]	1
▲	1	1056476	(007000-) Guard Wldt, Oprtr, Top, Iron Gray	1
▲	2	1056673	(007000-) Tube, Ohg, Oprtr, Rh, Pntd, Iron Gray	1
▲	3	1056674	(007000-) Tube, Ohg, Oprtr, Lh, Pntd, Iron Gray	1
▲	4	06961	(007000-) Screw, Hex, M10 X 1.5 X 20, 8.8	8
▲	5	32492	(007000-) Washer, Flt, .38 Std	16
▲	6	41430	(007000-) Nut, Hex, Lock, M10 X 1.5, NI	8
▲	7	09028	(007000-) Screw, Hex, M10 X 1.5 X 25, Ss	8
▲	8	01686	(007000-) Washer, Flt, .38 Ss	8

Fig. 11 - Seat Belt Kit

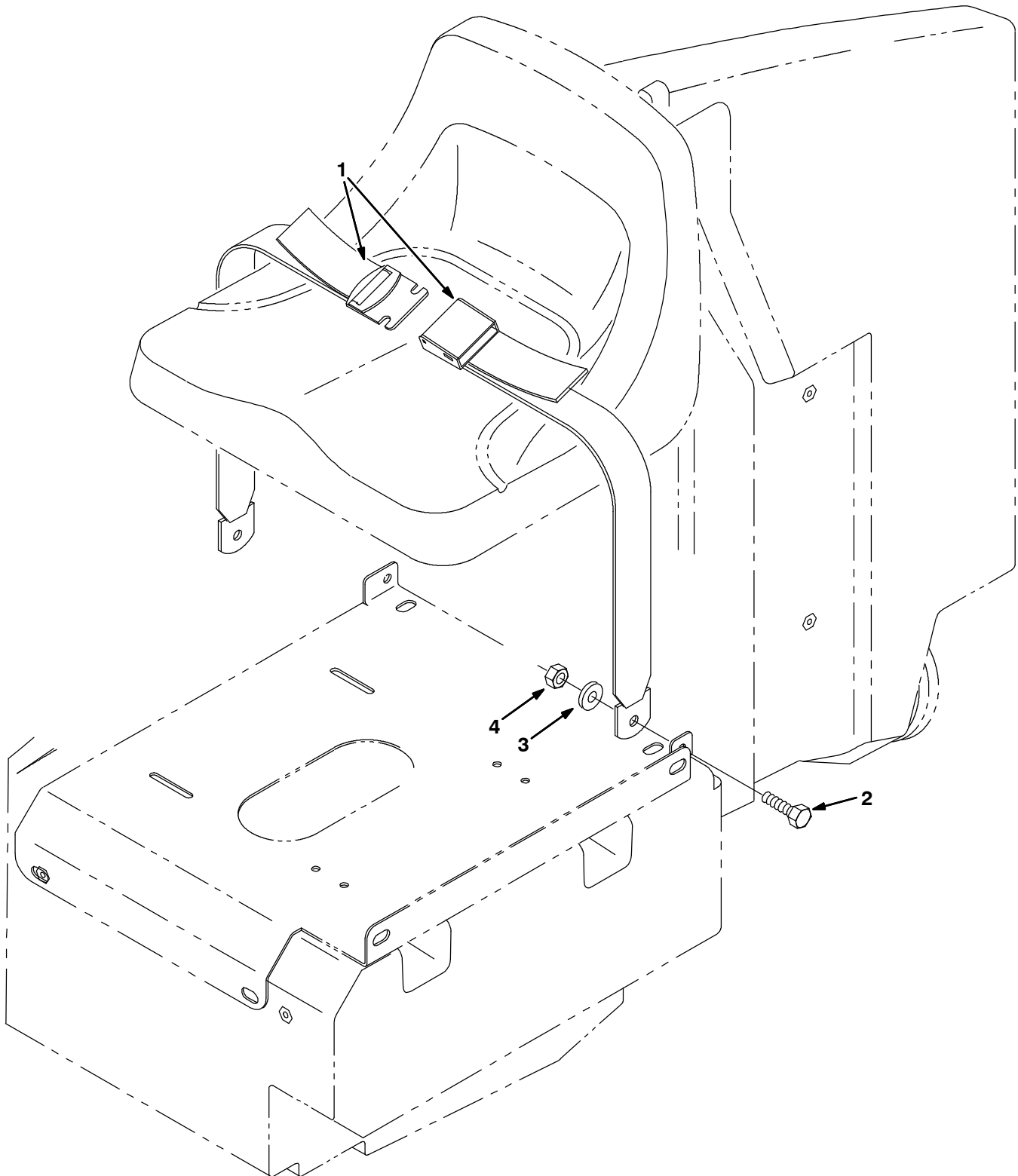


Fig. 11 - Seat Belt Kit

	Ref.	Tennant Part No.	Machine Serial Number	Description	Qty.
▽		386958	(000000-) Kit, Ci, Seatbelt	1
▲	1	30533	(000000-) Seatbelt	1
▲	2	06961	(000000-) Screw, Hex, M10 X 1.5 X 20, 8.8	2
▲	3	32493	(000000-) Washer, Flt, .50 Std	2
▲	4	41430	(000000-) Nut, Hex, Lock, M10 X 1.5, NI	2

Fig. 12 - Suspension Seat Kit

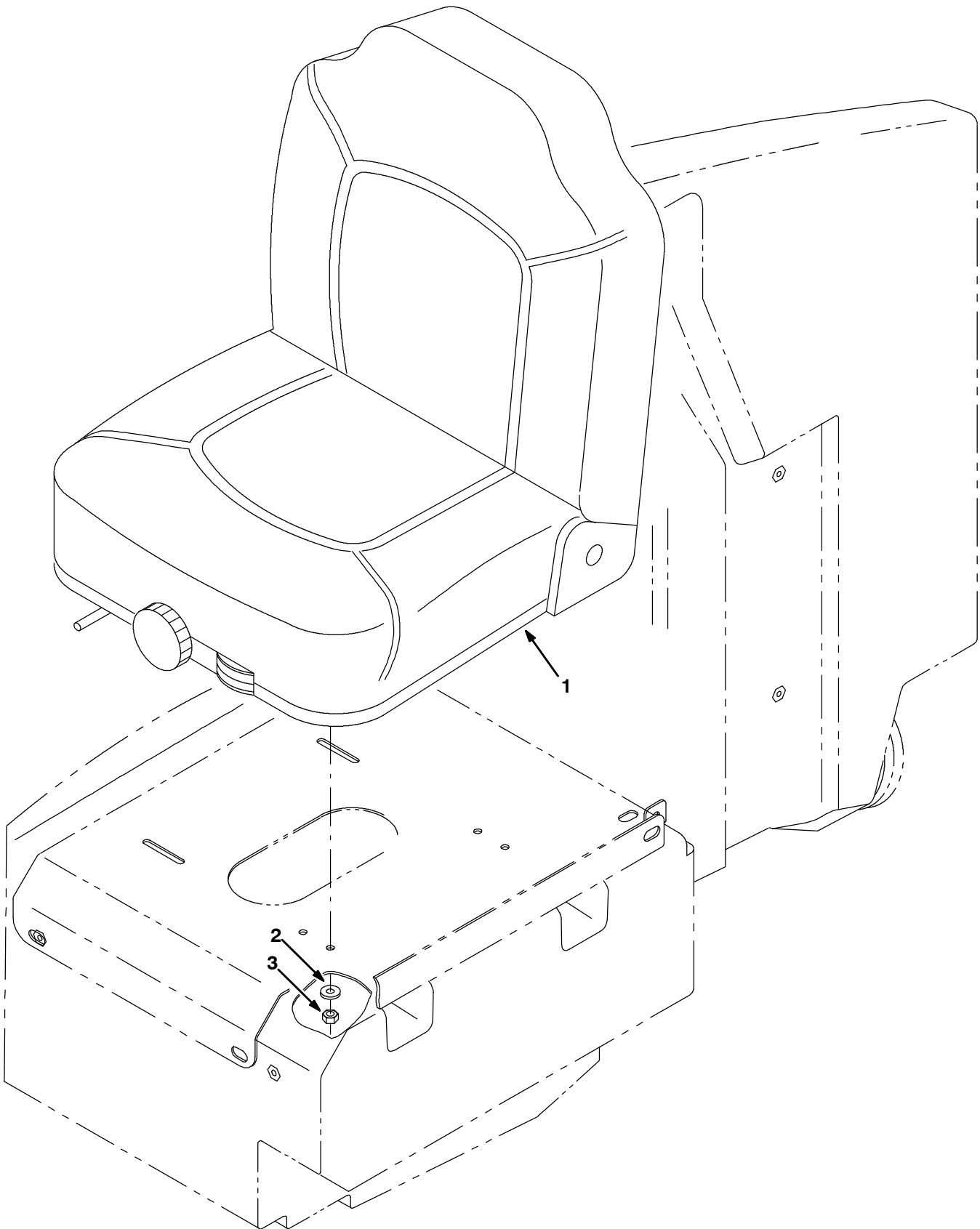


Fig. 12 - Suspension Seat Kit

	Ref.	Tennant Part No.	Machine Serial Number	Description	Qty.
▽		386963	(000000-) Kit, Ci, Seat, Suspension	1
▲	1	223595	(000000-) Seat, Suspension	1
▲	2	32491	(000000-) Washer, Flt, .31 Std	4
▲	3	32983	(000000-) Nut, Hex, Lock, .31-18, NI	4

Fig. 13 - Left Side Brush Motor and Pivot Group

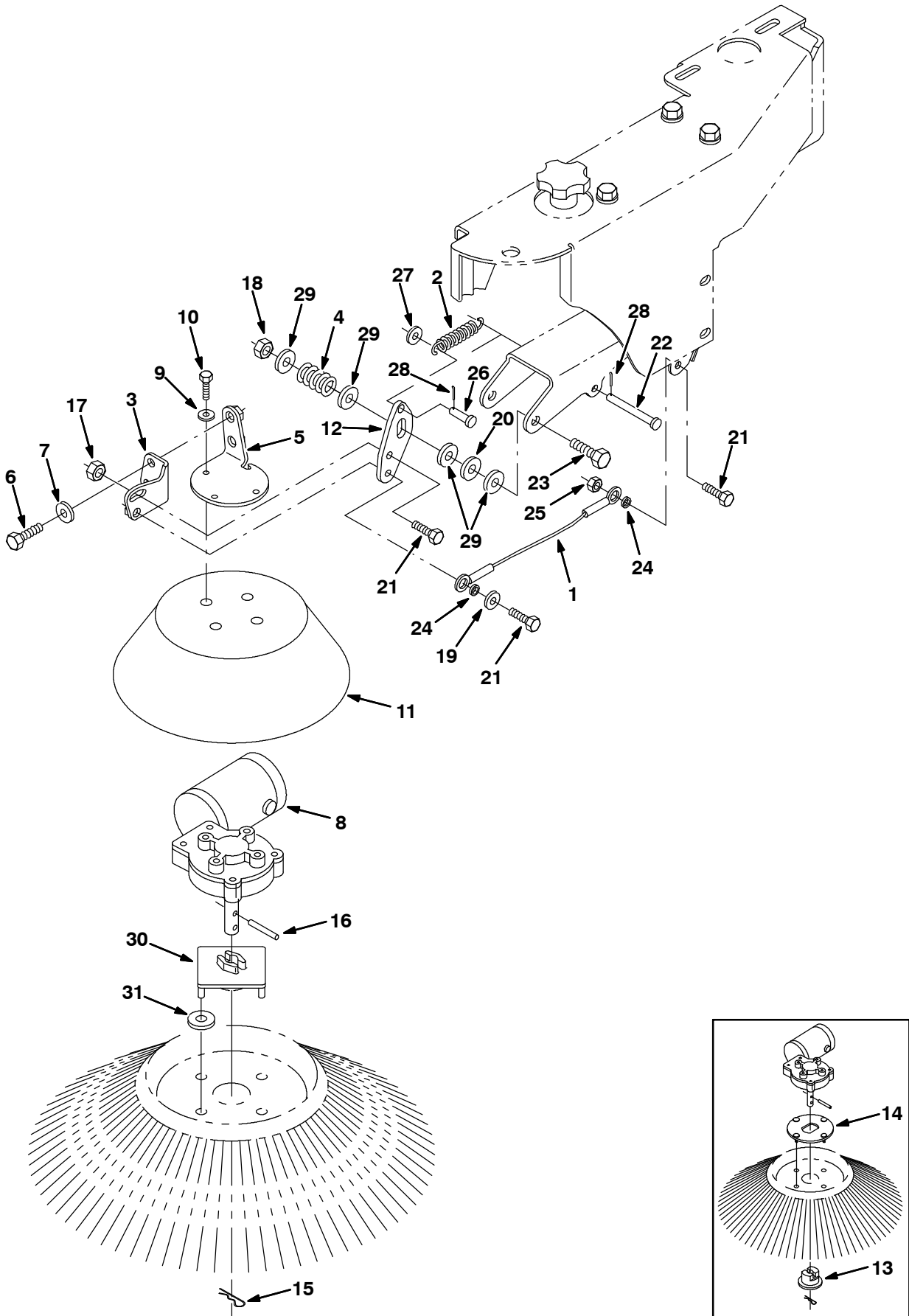


Fig. 13 - Left Side Brush Motor and Pivot Group

Ref.	Tennant Part No.	Machine Serial Number	Description	Qty.	
1	87172	(000000-) Cable, .13d, 10.0l, .51eye /.51eye	1	
2	09480	(000000-) Spring, Extn, 1.10od X 0.15wir, 3.2l	1	
3	1056894	(000000-) Bracket, Mtg, Motor, Iron Gray	2	
4	360357	(000000-) Spring, Die, 1.00od 0.50id 1.25l	2	
5	1056892	(000000-) Bracket, Mtg, Motor, Iron Gray	1	
6	09770	(000000-) Screw, Hex, M10 X 1.5 X 25, Ss, NI	2	
7	01686	(000000-) Washer, Flat, .38 Ss	2	
▽	8	1008275	(000000-) Motor, Ele, 36Vdc 0.08Hp 0068Rpm 04.5A	1
▲		81919	(000000-) Kit, Brush, Motor, Ele	1
▲		80127	(000000-) Cap, Brush, Motor, Ele	2
▲		369795	(000000-) Brushholder, Motor, Ele	2
▲		369796	(000000-) Clip, Motor, Ele	2
	9	01684	(000000-) Washer, Flt, .25 Ss	4
	9	01684	(000000-) Washer, Flt, .25 Ss	4
	10	15678	(000000-) Screw, Hex, M06 X 1.0 X 16, Ss	4
11	386666	(000000-) Guard, Brush, Side	1	
12	1056909	(000000-) Plate, Iron Gray	1	
13	386664	(000000-004071) Adapter, Brush	1	
14	386663	(000000-004071) Plate, Adapter, Brush	1	
15	44906	(000000-) Pin, Hair Cotter, 0.69 D .092 Wir	1	
16	11398	(000000-) Pin, Roll, .250 D X 2.00l, .250/.256	1	
17	07791	(000000-) Nut, Hex, Flng, M08 X 1.25	1	
18	08711	(000000-) Nut, Hex, Lock, M12 X 1.75,NI	1	
19	32491	(000000-) Washer, Flt, .31 Std	1	
20	86860	(000000-) Bearing, Thrust	1	
21	39277	(000000-) Screw, Hex, M08 X 1.25 X 25, 8.8	3	
22	57598	(000000-) Pin, Clevis, 0.37 D X 3.25l	1	
23	06974	(000000-) Screw, Hex, M12 X 1.75 X 80, 8.8	1	
24	360801	(000000-) Sleeve	2	
25	08709	(000000-) Nut, Hex, Lock, M08 X 1.25,NI	1	
26	04733-2	(000000-) Pin, Clevis, 0.37 D X 0.62l	1	
27	01685	(000000-) Washer, Flt, .31 Ss	1	
28	39005	(000000-) Pin, Cotter, .094 X 0.75	2	
29	32486	(000000-) Washer, Flt, .50 Sae	4	
30	1017441	(004072-) Plate, Adapter, Brush	1	
31	1017802	(004072-) Washer, .625 B, 2.50 Od, .211 T, Ss	4	

Fig. 14 - Left Side Brush Lift Group

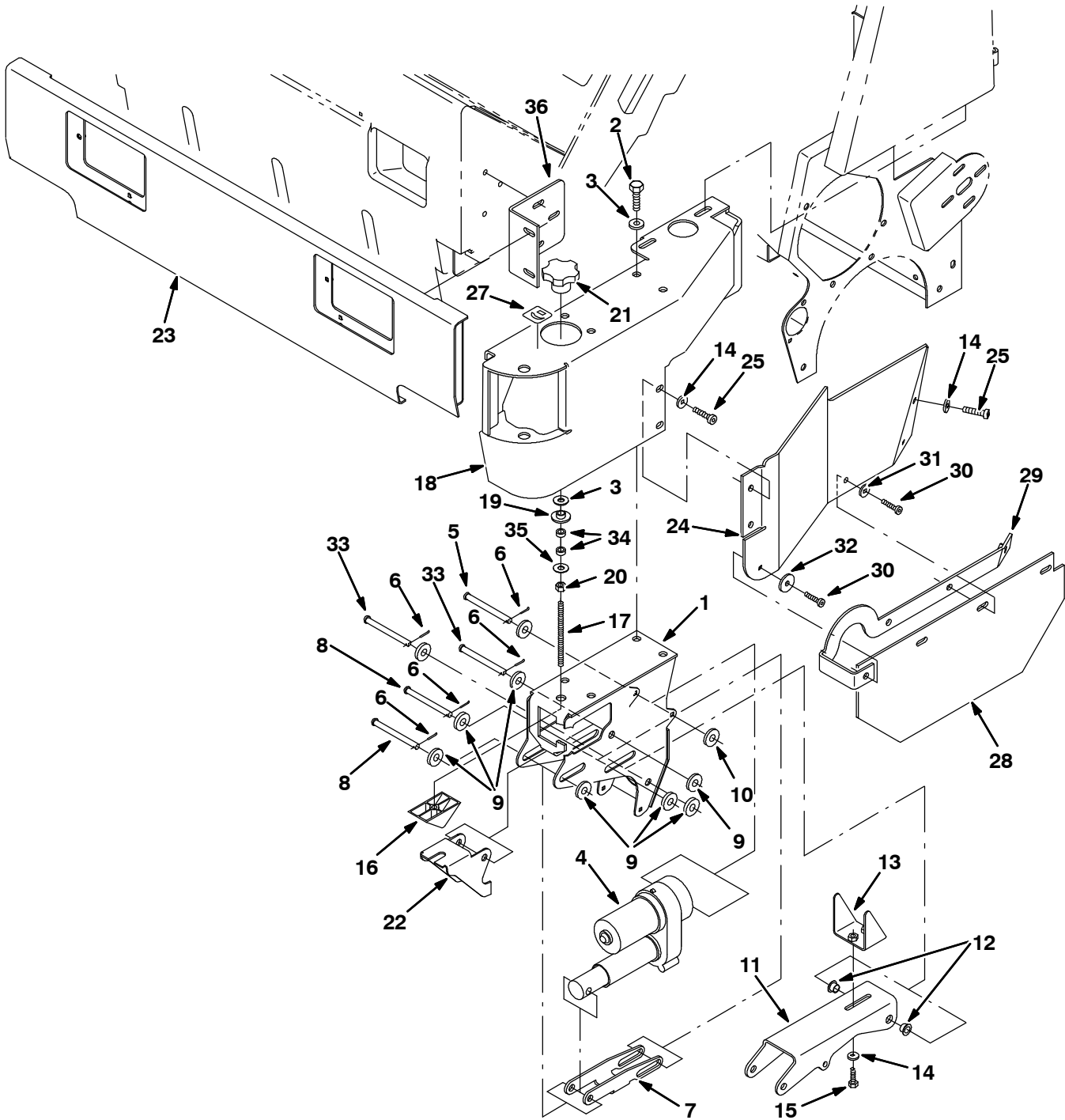


Fig. 14 - Left Side Brush Lift Group

Ref.	Tennant Part No.	Machine Serial Number	Description	Qty.
1	1056887	(000000-) Housing Wldt, Brush, Side, Iron Gray	1
2	09291	(000000-) Screw, Hex, M10 X 1.5 X 20, Ss	4
3	32492	(000000-) Washer, Flt, .38 Std	4
4	1054296	(000000-) Actuator, 36vdc, 01.8strk, 300lb	1
5	49914	(000000-) Pin, Clevis, 0.37D X 4.00L	1
6	39005	(000000-) Pin, Cotter, .094 X 0.75	5
7	1056888	(000000-) Bracket, Iron Gray	1
8	51528	(000000-) Pin, Clevis, 0.50D X 4.00L	2
9	32486	(000000-) Washer, Flat, .50 Sae	8
10	32485	(000000-) Washer, Flt, .38 Sae	2
11	1056889	(000000-) Channel, Iron Gray	1
12	15648	(000000-) Bushing, Flng, 1.50B 0.59D 0.38L	2
13	1056890	(000000-) Bracket, Iron Gray	1
14	32491	(000000-) Washer, Flt, .31 Std	5
15	16931	(000000-) Screw, Hex, M08 X 1.25 X 20, 8.8	2
16	386658	(000000-) Block, Adj	1
17	387151	(000000-) Shaft, Thrd	1
18	386753	(000000-006999) Bumper Wldt, Lh	1
18	1056679	(007000-) Bumper Wldt, Lh, Iron Gray	1
19	363087	(000000-) Spacer, Flanged	1
20	25014	(000000-) Nut, Hex, Std, .38-16	1
21	41341	(000000-) Knob, Plastic	1
22	1056910	(000000-) Bracket, Pivot, Iron Gray	1
23	386646	(000000-006999) Bumper Wldt	1
23	1056499	(007000-) Bumper Wldt, Iron Gray	1
24	387085	(000000-006999) Door, Brush, Lh	1
24	1056514	(007000-) Door, Brush, Lh, Iron Gray	1
25	76570	(000000-) Screw, Hex, M08 X 1.25 X 30, 8.8	3
26	64489	(000000-) Washer, 0.81b 1.24d .03, Stl, PI	1
27	387405	(000000-) Label, Brush, Side, Adj	1
28	387468	(000000-) Skirt	1
29	1056935	(000000-) Strip, Iron Gray	1
30	223470	(000000-) Screw, Btn, M08 X 1.25 X 25, Ss	4
31	39349	(000000-) Washer, Flt, .31 Sae	3
32	30013	(000000-) Washer, Flat, .31 Fender	1
33	222196	(000000-) Pin, Clevis, 0.50 D X 4.00l	2
34	390879	(000000-) Sleeve, P/M, 0.625D 0.406B 0.38L 430Ss	2
35	32492	(000000-) Washer, Flat, 0.38 Std	1
36	387317	(000000-006999) Angle, Bumper, Mtg, Lh	1
36	1056802	(007000-) Angle, Bmpr, Mtg, Lh, Iron Gray	1

Fig. 15 - Max Pro 1200 (Disc-Brush) Scrub Head Frame Group

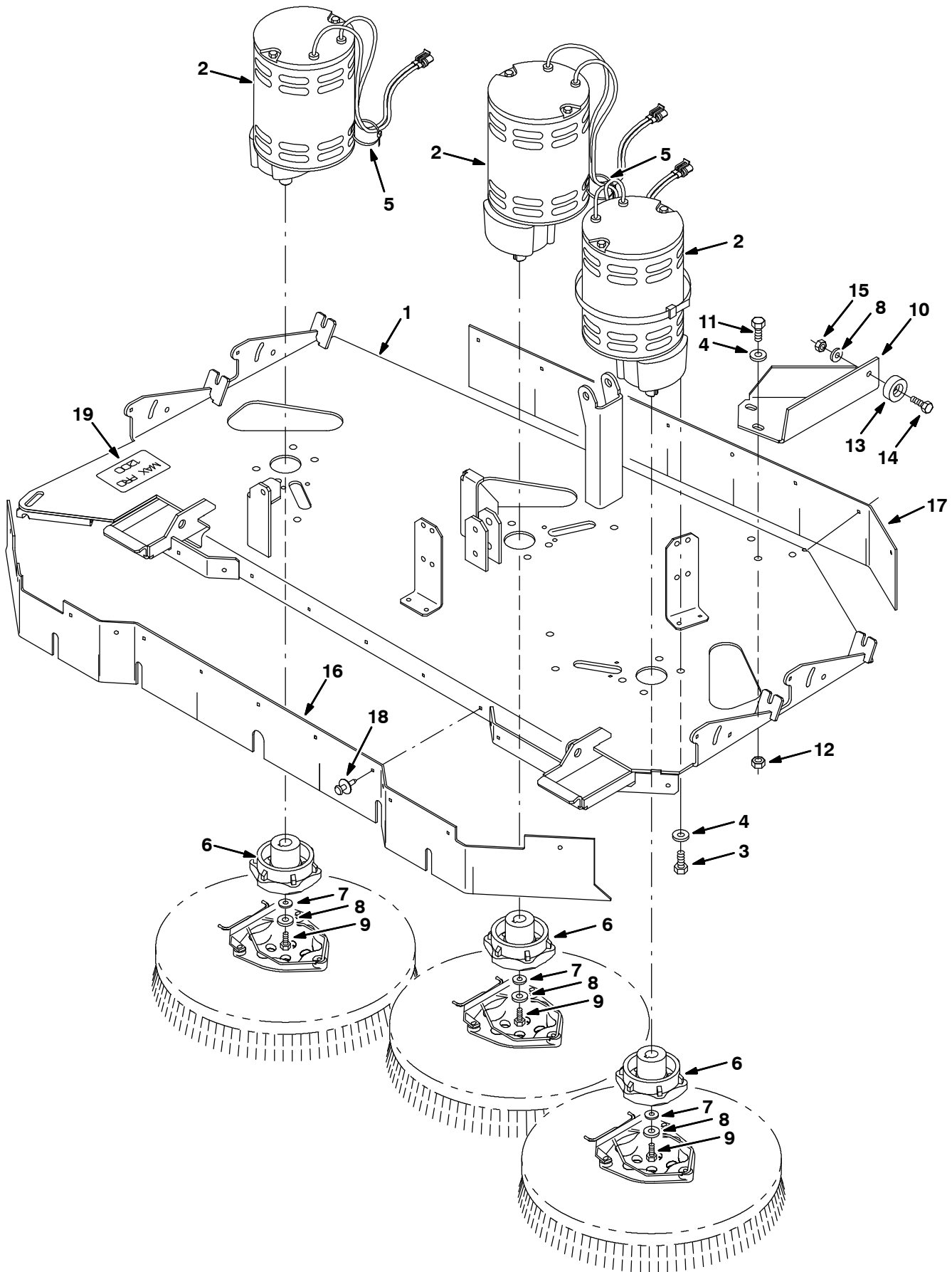


Fig. 15 - Max Pro 1200 (Disc-Brush) Scrub Head Frame Group

Ref.	Tennant Part No.	Machine Serial Number	Description	Qty.
1	1056902	(000000-) Frame Wldt, Scb Head, 3 Brush, Ele, Gray	1
2	386687	(000000-) Motor, Gear, Ele, 1.0hp, 36vdc, 300rpm (See Breakdown)	3
3	34195	(000000-) Screw, Hex, .38-16 X 1.00, NI	12
4	01686	(000000-) Washer, Flt, .38 Ss	15
5	49263	(000000-) Tie, Cable, Nyl, 11.4l .19w 3.0 Max D	3
6	377364	(000000-) Hub, Drive, Brush	3
7	41186	(000000-) Washer, Belleville, .31	3
8	01685	(000000-) Washer, Flt, .31 Ss	4
9	32124	(000000-) Screw, Hex, .31-18 X 1.00, Ss, NI	3
10	1056841	(000000-) Bracket, Stop, Frame	1
11	09028	(000000-) Screw, Hex, M10 X 1.5 X 25, Ss	3
12	08714	(000000-) Nut, Hex, Lock, M10 X 1.5, NI, Ss	3
13	15023	(000000-) Bumper, Pye	1
14	09010	(000000-) Screw, Hex, M08 X 1.25 X 25, Ss	1
15	08713	(000000-) Nut, Hex, Lock, M08 X 1.25,NI, Ss	1
16	386825	(000000-) Skirt, Front, Scrub Head, 3-Brush, Ele	1
17	386826	(000000-) Skirt, Rear, Scrub Head, 3-Brush, Ele	1
18	72968	(000000-) Rivet, Plstc, .250 X 0.898	21
19	365156	(000000-) Label Set, Info/Hzrd, [Maxpro]	1

Fig. 16 - Max Pro 1200 (Disc-Brush) Scrub Head Linkage Group

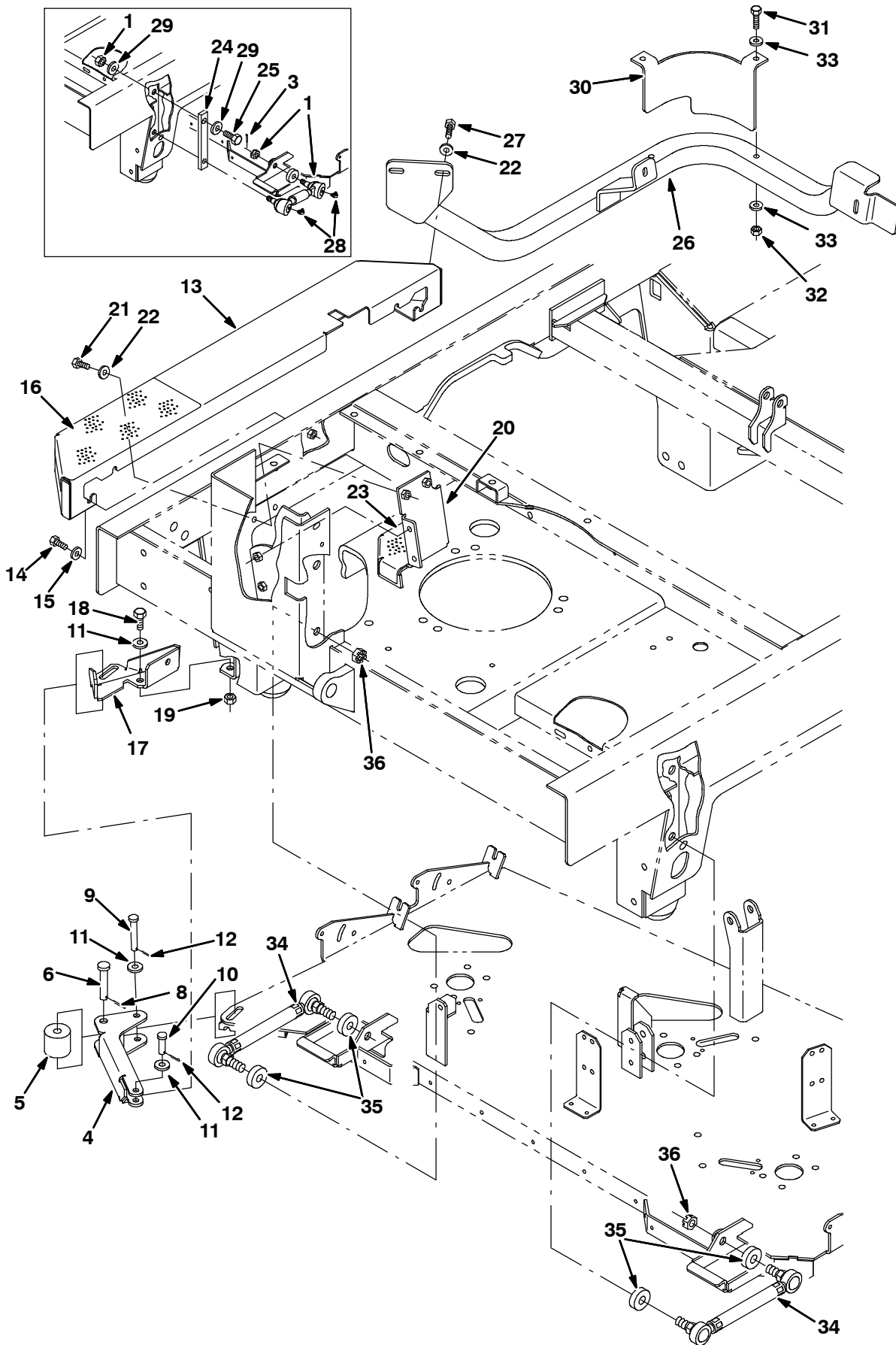


Fig. 16 - Max Pro 1200 (Disc-Brush) Scrub Head Linkage Group

Ref.	Tennant Part No.	Machine Serial Number	Description	Qty.
1	363113	(000000-004780)	Link Wldt, Head, Drag (Replaced by 9005751)	2
2	14524	(000000-004780)	Spacer, Washer	2
3	08346	(000000-004780)	Pin, Cotter, .125 X 0.75	4
4	1001099	(000000-006999)	Guard, Kick In, Scb Head	1
4	1056390	(007000-)	Guard, Kick In, Scb Head, Iron Gray	1
5	72946	(000000-)	Roller	1
6	06279	(000000-)	Pin, Clevis, 0.50 D X 2.50l	1
7	08711	(000000-004780)	Nut, Hex, Std, M12 X 2.0	2
8	08182	(000000-)	Pin, Cotter, .125 X 1.00	1
9	365180	(000000-)	Pin, Clevis, 0.38 D X 2.50l	1
10	29557	(000000-)	Pin, Clevis, 0.37 D X 1.31l	1
11	01686	(000000-)	Washer, Flt, .38 Ss	4
12	39005	(000000-)	Pin, Cotter, .094 X 0.75	2
13	386827	(000000-006999)	Bumper, Side, Scb Head, Wide	1
13	1056681	(007000-)	Bumper, Side, Scb Head, Wide, Iron Gray	1
14	09740	(000000-)	Screw, Hex, M08 X 1.25 X 20, Ss	4
15	32491	(000000-)	Washer, Flt, .31 Std	6
16	387080	(000000-)	Tread, Floor, 12.5 X 5.75	1
17	386876	(000000-006999)	Bracket, Adaptor, Mtg, Kick In, Frame	1
17	1056505	(007000-)	Bracket, Adapter, Mtg, Kick In, Frame	1
18	09028	(000000-)	Screw, Hex, M10 X 1.5 X 25, Ss	2
19	08714	(000000-)	Nut, Hex, Lock, M10 X 1.5, NI, Ss	1
20	387162	(000000-006999)	Bracket	1
20	1056516	(007000-)	Bracket, Step, Iron Gray	1
21	09740	(000000-)	Screw, Hex, M08 X 1.25 X 20, Ss	4
22	01685	(000000-)	Washer, Flt, .31 Ss	8
23	387230	(000000-)	Tread, Step	1
24	24254	(000000-004780)	Spacer, Plate	2
25	06969	(000000-004780)	Screw, Hex, M12 X 1.75 X 40, 8.8	2
26	387245	(000000-006999)	Guard Wldt, Sqge (MP 20)	1
26	1056517	(007000-)	Guard Wldt, Sqge, Rear, Gray	1
27	09010	(000000-)	Screw, Hex, M08 X 1.25 X 25, Ss	4
28	09718	(000000-004780)	Fitting, Grease, E90 Pm04 .75L	4
29	32486	(000000-004780)	Washer, Flt, .50 Sae	4
30	1007486	(000000-006999)	Guard, Bumper	1
30	1057073	(007000-)	Guard, Bmpr, Iron Gray	1
31	49694	(000000-)	Screw, Hex, M 8 X 1.25 X 50, Ss	2
32	08713	(000000-)	Nut, Hex, Lock, M 8 X 1.25, NI, Ss	2
33	01685	(000000-)	Washer, Flat, 0.31 Ss	2
34	1050193	(004781-)	Link Assy, Rod-End, .63-18	2
35	1057066	(004781-)	Tube, 0.69id 1.25od 00.4l, Rod-End, Gray	4
36	40814	(004781-)	Nut, Hex, Lock, .62-18, NI, Thin	4

Fig. 17 - Max Pro 1200 (Disc-Brush) Solution Valve Group

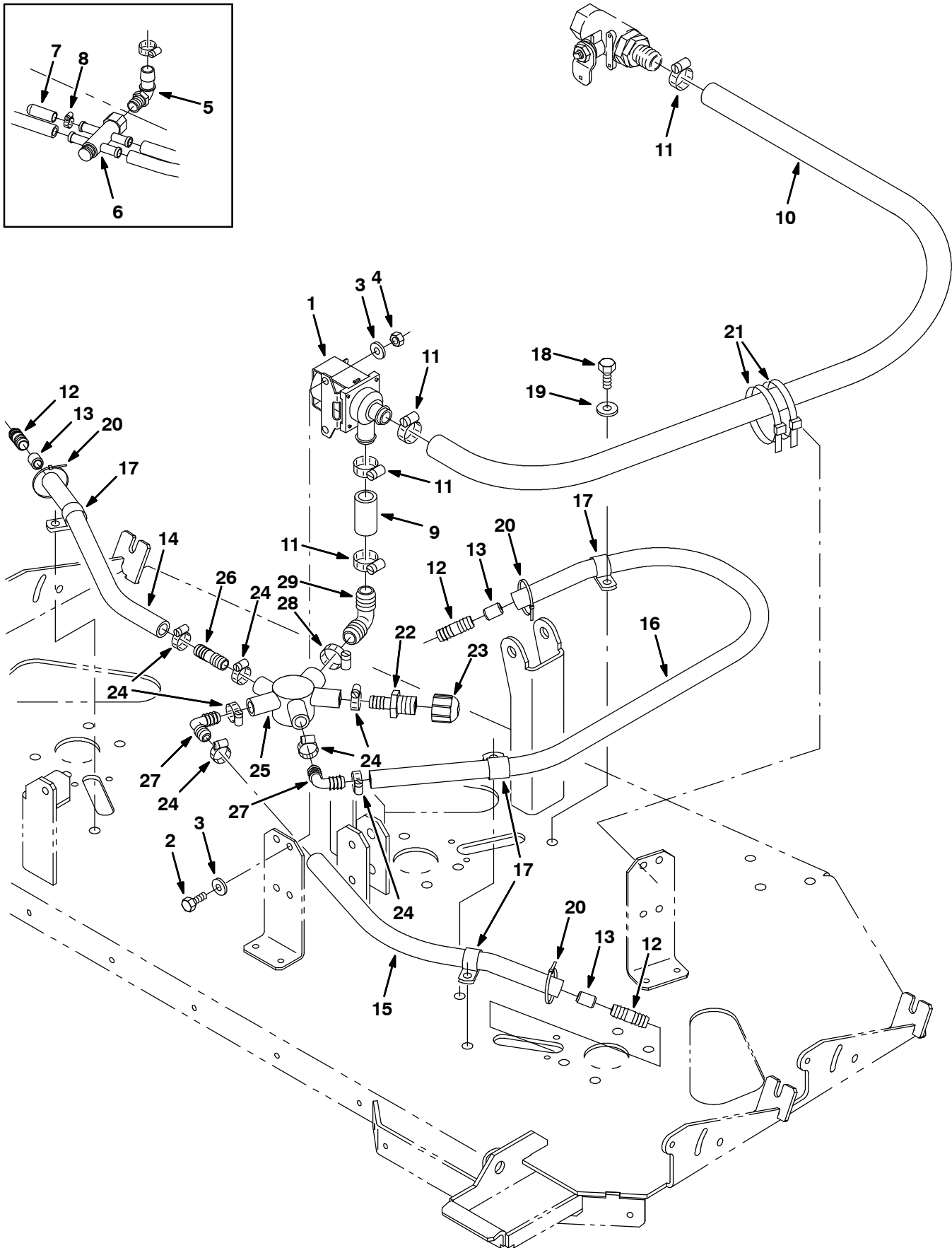


Fig. 17 - Max Pro 1200 (Disc-Brush) Solution Valve Group

Ref.	Tennant Part No.	Machine Serial Number	Description	Qty.
1	84028	(000000-) Valve, Water	1
2	15678	(000000-) Screw, Hex, M06 X 1.0 X 16, Ss	2
3	32490	(000000-) Washer, Flt, .25 Std	4
4	08712	(000000-) Nut, Hex, Lock, M06 X 1.0, NI, Ss	2
5	63244-2	(000000-003817) Fitting, Plstc, E90, Bm12/Pm08	1
6	72950	(000000-003817) Manifold, Plastic	1
7	20807	(000000-003817) Cap, Neoprene Black	1
8	54333	(000000-003817) Clamp, Hose, Wormdrive, 0.31-0.88d	1
9	16914	(000000-) Hose, Pvc, Brd, 0.75id 1.00od 02.00l	1
10	73474	(000000-) Hose, Pvc, Brd, 0.75id 1.00od 44.50l	1
11	63810	(000000-) Clamp, Hose, Wormdrive, 0.56-1.06d, .56w	4
12	364631	(000000-) Fitting, Plstc, Str, Bm08/Bm08	3
13	77334	(000000-) Fitting, Plstc, Rst, .50od/.31id	3
14	49142	(000000-) Hose, Pvc, Brd, 0.50id 0.80od 18.00l	1
15	223515	(000000-) Hose, Pvc, Brd, 0.50id 0.75od 14.00l	1
16	385682	(000000-) Hose, Pvc, Brd, 0.50id 0.73od 33.00l	1
17	67767	(000000-) Clamp, Cable, Stl, 0.69d X 0.62w, 1h	4
18	12273	(000000-) Screw, Hex, M08 X 1.25 X 20, Ss, NI	4
19	01685	(000000-) Washer, Flt, .31 Ss	4
20	49266	(000000-) Tie, Cable, Nyl, 07.3l .19w 1.8 Max D	3
21	44961	(000000-) Tie, Cable, Nyl, 14.5l .30w 4.0 Max D	2
22	79273-4	(003818-) Fitting, Plstc, Str, Bm08/Pm08	1
23	1015558	(003818-) Fitting, Plstc, Cap, Pf08	1
24	54333	(003818-) Clamp, Hose, Wormdrive, 0.31-0.88d	7
25	1012528	(003818-) Manifold, Soltn, Cntrl	1
26	364631	(003818-) Fitting, Plstc, Str, Bm08/Bm08	1
27	63987-1	(003818-) Fitting, Plstc, E90, Bm08/Bm08	2
28	86824	(003818-) Clamp, Hose, Wormdrive, 0.50-1.06d	1
29	40566	(003818-) Fitting, Plstc, E90, Bm12/Bm12	1

Fig. 18 - Max Pro 1200 (Disc-Brush) Solution Valve Group (FaST/ec-H2O)

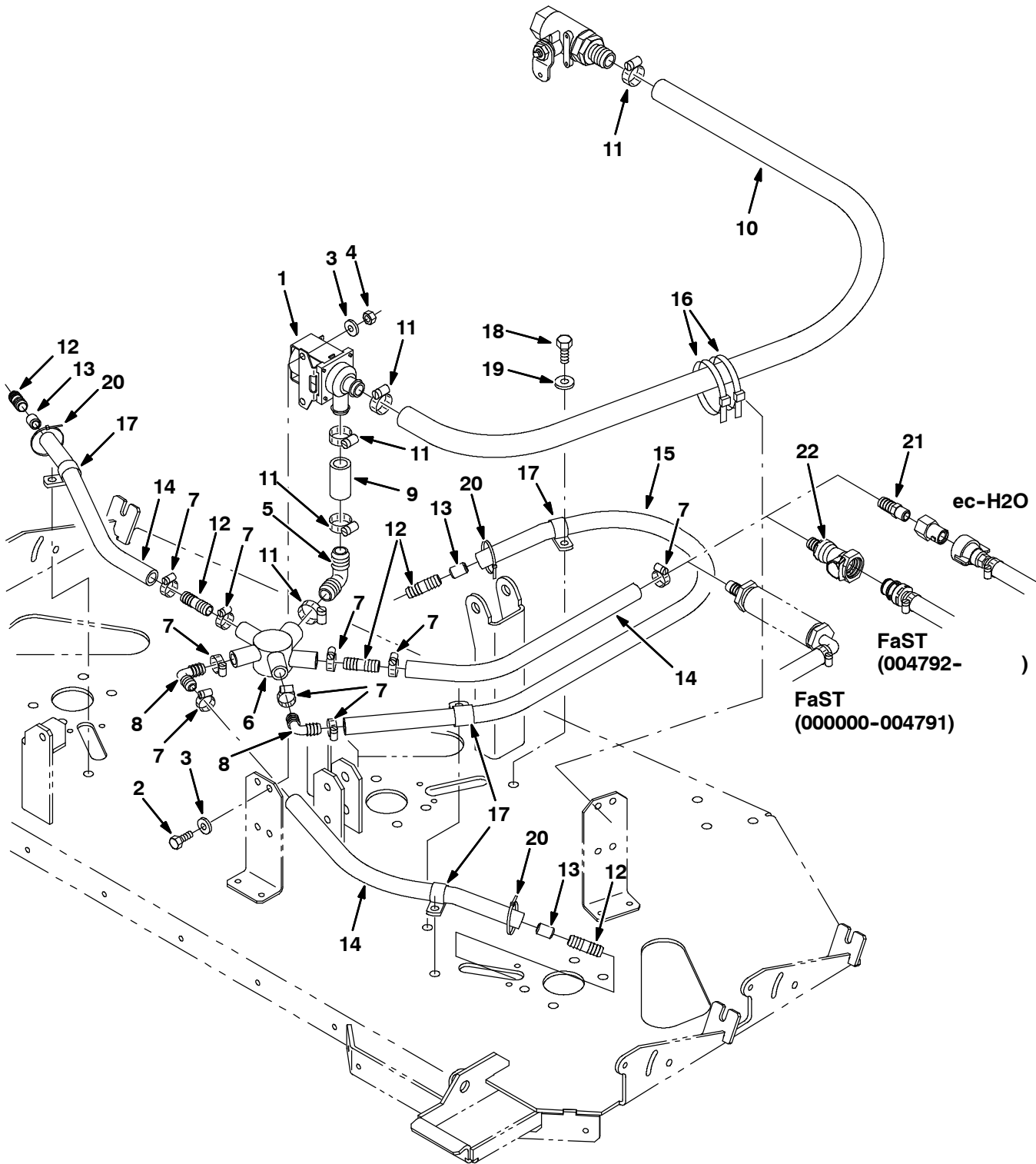


Fig. 18 - Max Pro 1200 (Disc-Brush) Solution Valve Group (FaST/ec-H2O)

Ref.	Tennant Part No.	Machine Serial Number	Description	Qty.
1	84028	(000000-) Valve, Water	1
2	15678	(000000-) Screw, Hex, M06 X 1.0 X 16, Ss	2
3	32490	(000000-) Washer, Flt, .25 Std	4
4	08712	(000000-) Nut, Hex, Lock, M06 X 1.0, NI, Ss	2
5	40566	(000000-) Fitting, Plstc, E90, Bm12/Bm12	1
6	1012528	(000000-) Manifold, Soltn, Cntrl	1
7	54333	(000000-) Clamp, Hose, Wormdrive, 0.31-0.88d	9
8	63987-1	(000000-) Fitting, Plstc, E90, Bm08/Bm08	2
9	1015048	(000000-) Hose, Afmkt, Pvc, Brd 0.75id 1 Ft	1
10	1015045	(000000-) Hose, Afmkt, Pvc, Brd 0.75id 8 Ft	1
11	63810	(000000-) Clamp, Hose, Wormdrive, 0.56-1.06d, .56w	5
12	364631	(000000-) Fitting, Plstc, Str, Bm08/Bm08	5
13	77334	(000000-) Fitting, Plstc, Rst, .50od/.31id	3
14	1011521	(000000-) Hose, Afmkt Replmt, Pvc, Brd 0.50id 2 Ft	3
15	1006401	(000000-) Hose, Afmkt Replmt, Pvc, Brd 0.50id 3 Ft	1
16	44961	(000000-) Tie, Cable, Nyl, 14.5l .30w 4.0 Max D	2
17	67767	(000000-) Clamp, Cable, Stl, 0.69d X 0.62w, 1h	4
18	12273	(000000-) Screw, Hex, M08 X 1.25 X 20, Ss, NI	4
19	01685	(000000-) Washer, Flt, .31 Ss	4
20	49266	(000000-) Tie, Cable, Nyl, 07.3l .19w 1.8 Max D	3
21	48610	(000000-) Fitting, Plstc, Str, Bm08/Pm04 (ec-H2O)	1
22	1017413	(003747-) Housing, Cplg, Qf / Pm08 (FaST)	1

Fig. 19 - Max Pro 1200 (Disc-Brush) Edge Scrub Group

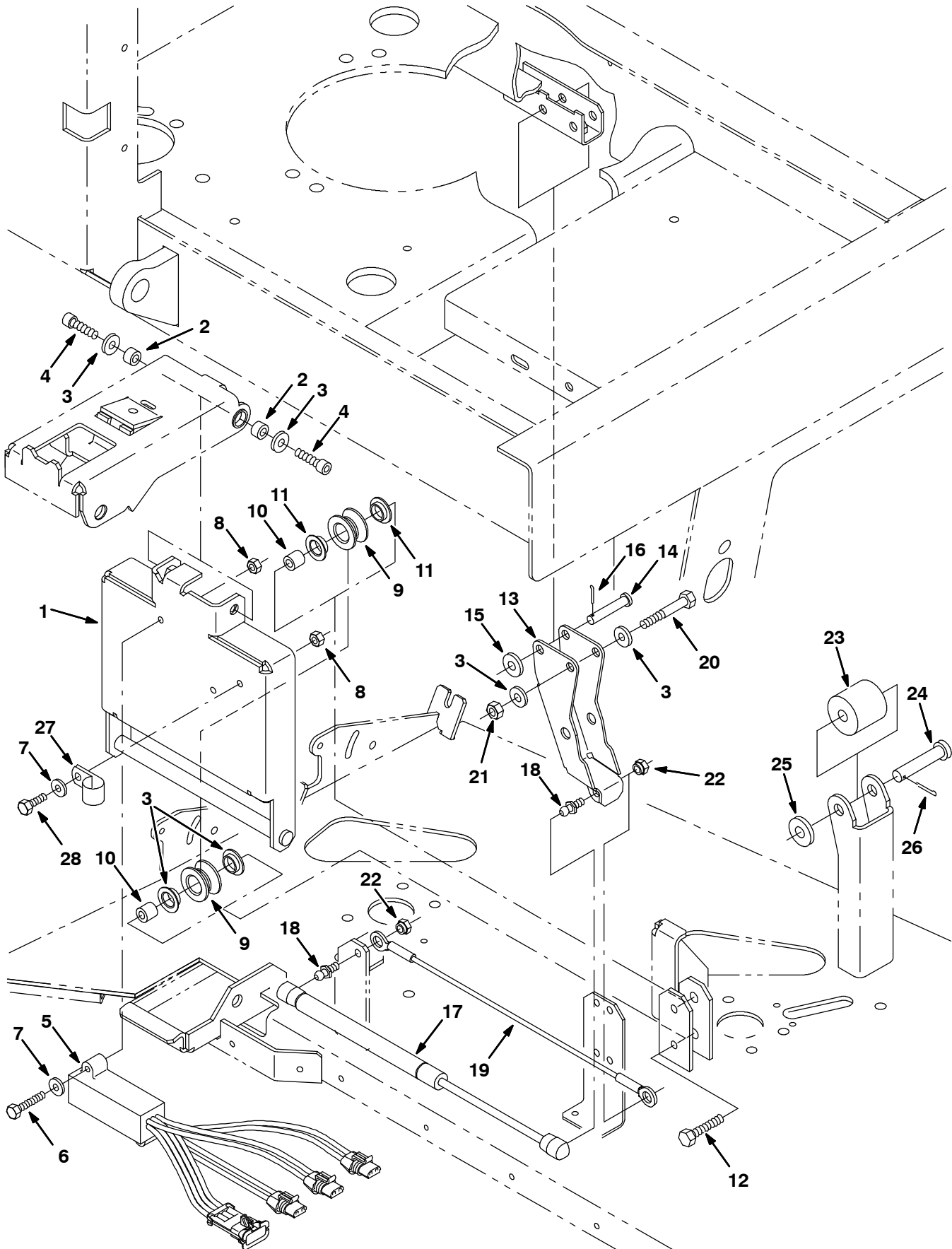


Fig. 19 - Max Pro 1200 (Disc-Brush) Edge Scrub Group

Ref.	Tennant Part No.	Machine Serial Number	Description	Qty.
1	1056844	(000000-) Rail Wldt, Lift, Disk Head, Iron Gray	1
2	222556	(000000-) Sleeve	2
3	01685	(000000-) Washer, Flt, .31 Ss	4
4	39308	(000000-) Screw, Soc, M08 X 1.25 X 25, 12.9	2
5	363238	(000000-) Shunt, 3 Std Mtrs, Scrub 515, Yellow	1
6	33930	(000000-) Screw, Hex, M06 X 1.0 X 40, Ss	2
7	01684	(000000-) Washer, Flt, .25 Ss	3
8	08712	(000000-) Nut, Hex, Lock, M06 X 1.0, NI, Ss	3
9	363120	(000000-) Roller	2
10	222277	(000000-) Sleeve	2
11	04843	(000000-) Bushing, Flng, 0.63b 0.72d 0.25l	4
12	222505	(000000-) Screw, Hex, M08 X 1.25 X 45, Ss	2
13	1056845	(000000-) Arm Wldt, Pivot, Side, Gray [7300/8300]	1
14	29584	(000000-) Pin, Clevis, 0.37 D X 2.00l	1
15	01686	(000000-) Washer, Flt, .38 Ss	1
16	39005	(000000-) Pin, Cotter, .094 X 0.75	1
17	364858	(000000-) Gasspring, 56lb, 6.3strk	1
18	58494	(000000-) Stud, Ball, .39d .31-16, Gasspring	2
19	364404	(000000-) Cable, .13d, 15.5l, .50eye /.50eye	1
20	77270	(000000-) Screw, Hex, M08 X 1.25 X 60, Ss	1
21	08713	(000000-) Nut, Hex, Lock, M08 X 1.25,NI, Ss	1
22	14725	(000000-) Nut, Retainer, .31-18	2
23	72946	(000000-) Roller	1
24	06279	(000000-) Pin, Clevis, 0.50 D X 2.50l	1
25	32493	(000000-) Washer, Flt, .50 Std	1
26	08182	(000000-) Pin, Cotter, .125 X 1.00	1
27	67767	(000000-) Clamp, Cable, Stl, 0.69d X 0.62w, 1h	1
28	08716	(000000-) Screw, Hex, M06 X 1.0 X 20, Ss	1

Fig. 20 - Max Pro 1200 (Disc-Brush) Right Side Squeegee Group

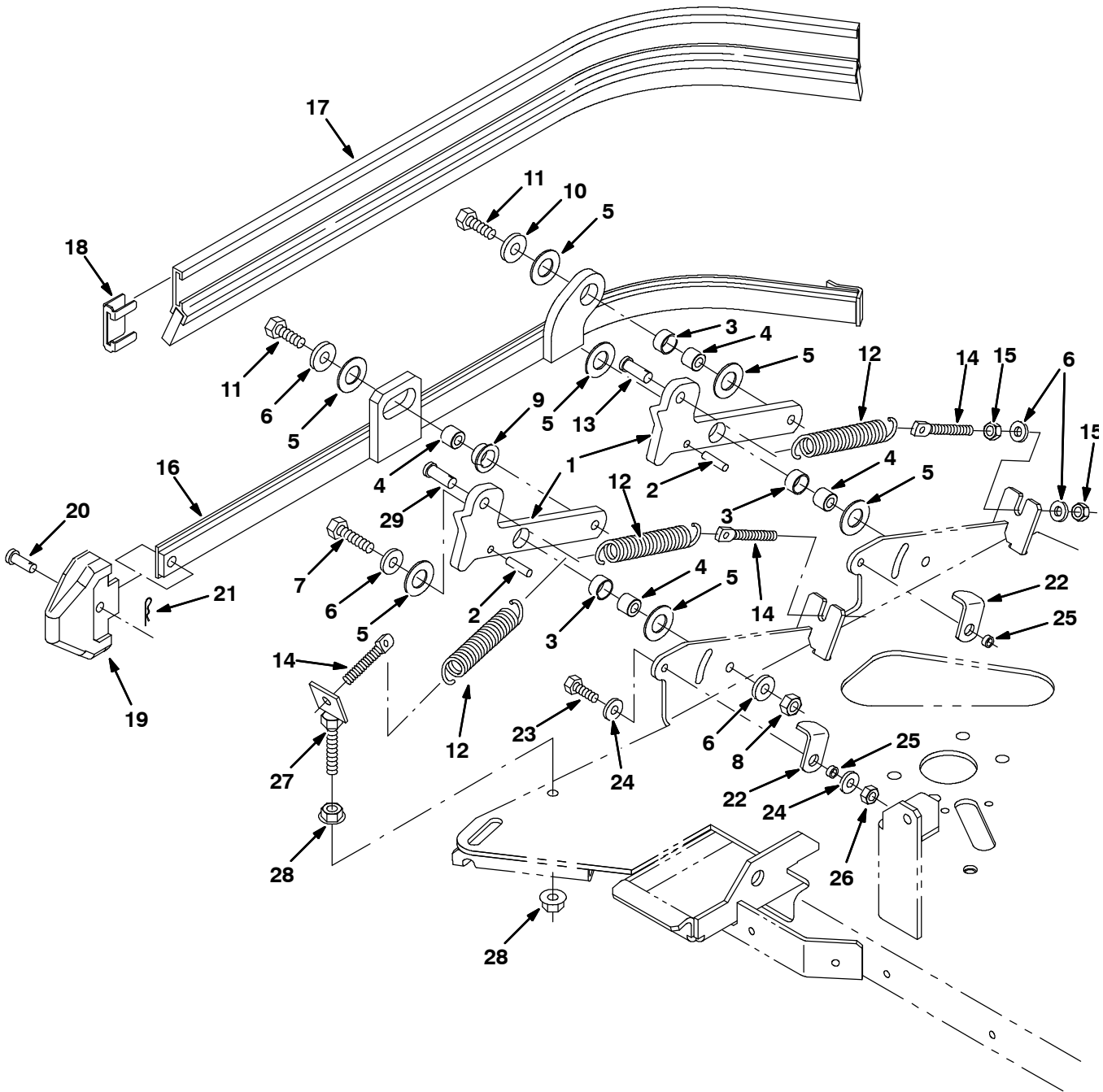


Fig. 20 - Max Pro 1200 (Disc-Brush) Right Side Squeegee Group

Ref.	Tennant Part No.	Machine Serial Number	Description	Qty.
1	1056863	(000000-) Arm, Mtg, Side Sqge Frame, Ele, Gray	2
2	17404	(000000-) Pin, Roll, .250 D X 0.75l, .250/.256	2
3	71607	(000000-) Bushing, Sleeve, 0.63b 0.72d 0.38l	3
4	386356	(000000-) Sleeve, .335b X .62d X .52l, Sst	4
5	64425	(000000-) Washer, Thrust, 0.61b 1.25d .06, Fgl	7
6	01685	(000000-) Washer, Flt, .31 Ss	7
7	09023	(000000-) Screw, Hex, M08 X 1.25 X 35, Ss	2
8	08713	(000000-) Nut, Hex, Lock, M08 X 1.25, NI, Ss	2
9	25735	(000000-) Bushing, Flng, 0.63b 0.75d 0.38l	1
10	01686	(000000-) Washer, Flt, .38 Ss	2
11	12333	(000000-) Screw, Hex, M08 X 1.25 X 25, Ss, NI	2
12	87816	(000000-) Spring, Extn, 0.75od X 0.09wir, 2.5l	2
13	76653	(000000-) Pin, Clevis, 0.37 D X 1.00l	2
14	386088	(000000-) Bolt, Eye, M8 X 1.25, 2.75l	2
15	07786	(000000-) Nut, Hex, Std, M08 X 1.25, Ss	4
16	386263	(000000-) Frame Wldt, Sqge, Side, Rh	1
17	386260	(000000-) Squeegee, Side	1
18	86759	(000000-) Retainer, Sqge	1
19	386986	(000000-) Guide, Point, Side Sqge	1
20	386987	(000000-) Pin, Clevis, 0.31d 0.88l	1
21	86866	(000000-) Pin, Hair Cotter, 0.38 D .072 Wir	1
22	386391	(000000-) Latch, Double Scrub, Side Sqge	2
23	08716	(000000-) Screw, Hex, M06 X 1.0 X 20, Ss	2
24	01684	(000000-) Washer, Flt, .25 Ss	4
25	80491	(000000-) Sleeve	2
26	08712	(000000-) Nut, Hex, Lock, M06 X 1.0, NI, Ss	2
27	1007632	(000000-) Bracket Wldt, Mtg, Spring	1
28	27980	(000000-) Nut, Hex, Flng, .38-16	2
29	29568	(000000-) Angle, 1.00 0.75 .12t 00.8l Hr	1

Fig. 21 - Max Pro 1200 (Disc-Brush) Right Side Vacuumized Squeegee Group

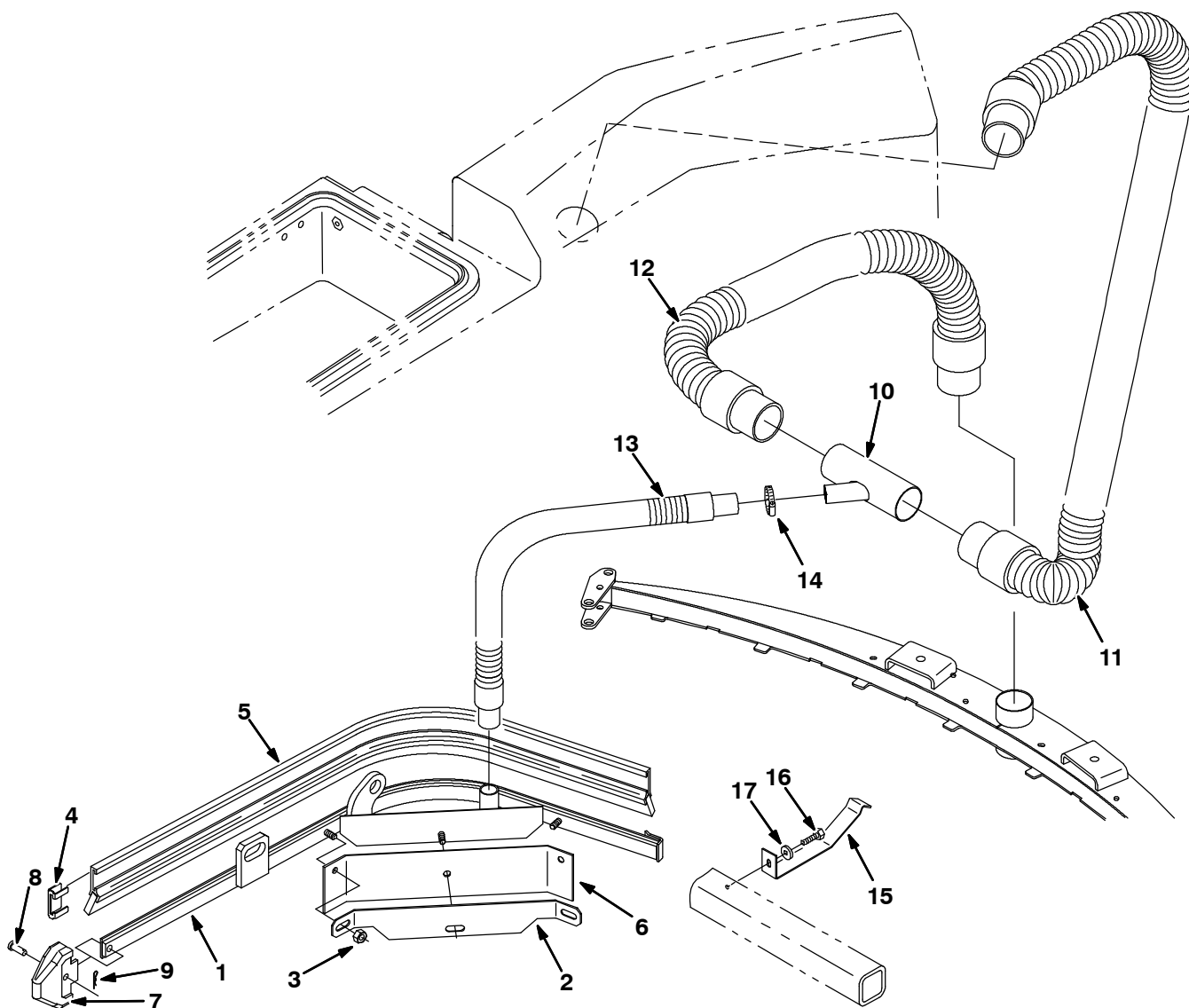


Fig. 21 - Max Pro 1200 (Disc-Brush) Right Side Vacuumized Squeegee Group

Ref.	Tennant Part No.	Machine Serial Number	Description	Qty.
1	387509	(000000-) Frame Assy, Sqge, Side, Vacuum, Rh	1
2	387516	(000000-) Retainer, Blade, Front	1
3	08713	(000000-) Nut, Hex, Lock, M08 X 1.25,NI, Ss	3
4	86759	(000000-) Retainer, Sqge	1
5	387545	(000000-) Blade Assy, Sqge, Side	1
6	387546	(000000-) Blade, Squeegee	1
7	386986	(000000-) Guide, Point, Side Sqge	1
8	386987	(000000-) Pin, Clevis, 0.31 D X 0.88l	1
9	86866	(000000-) Pin, Hair Cotter, 0.38 D .072 Wir	1
10	386518	(000000-) Tube Wldt	1
11	386514	(000000-003545) Hose, Vacuum, 58.5l	1
11	1005133	(003546-) Hose Assy, W/2cuff, 2.0d 75l	1
12	387256	(000000-003545) Hose, Vacuum, 35.0l	1
12	1005135	(003546-) Hose Assy, W/2cuff, 2.0d 26l	1
13	387517	(000000-003545) Hose Assy, W/2 Cuff, 1.0d 41.0l	1
13	398802	(003546-) Hose Assy, W/2 Cuff, 1.0D 44L 1.0/1.0	1
14	11399	(000000-) Clamp, Hose, Wormdrive, 0.81-1.50d	1
15	1002464	(003546-) Bracket, Tube , Tee	1
16	361339	(003546-) Screw, Hex, M 6 X 1.0 X 16, Fmg	1
17	32483	(003546-) Washer, Flat, 0.25 Sae	1

Fig. 22 - Max Pro 1200 (Disc-Brush) Left Side Squeegee Group

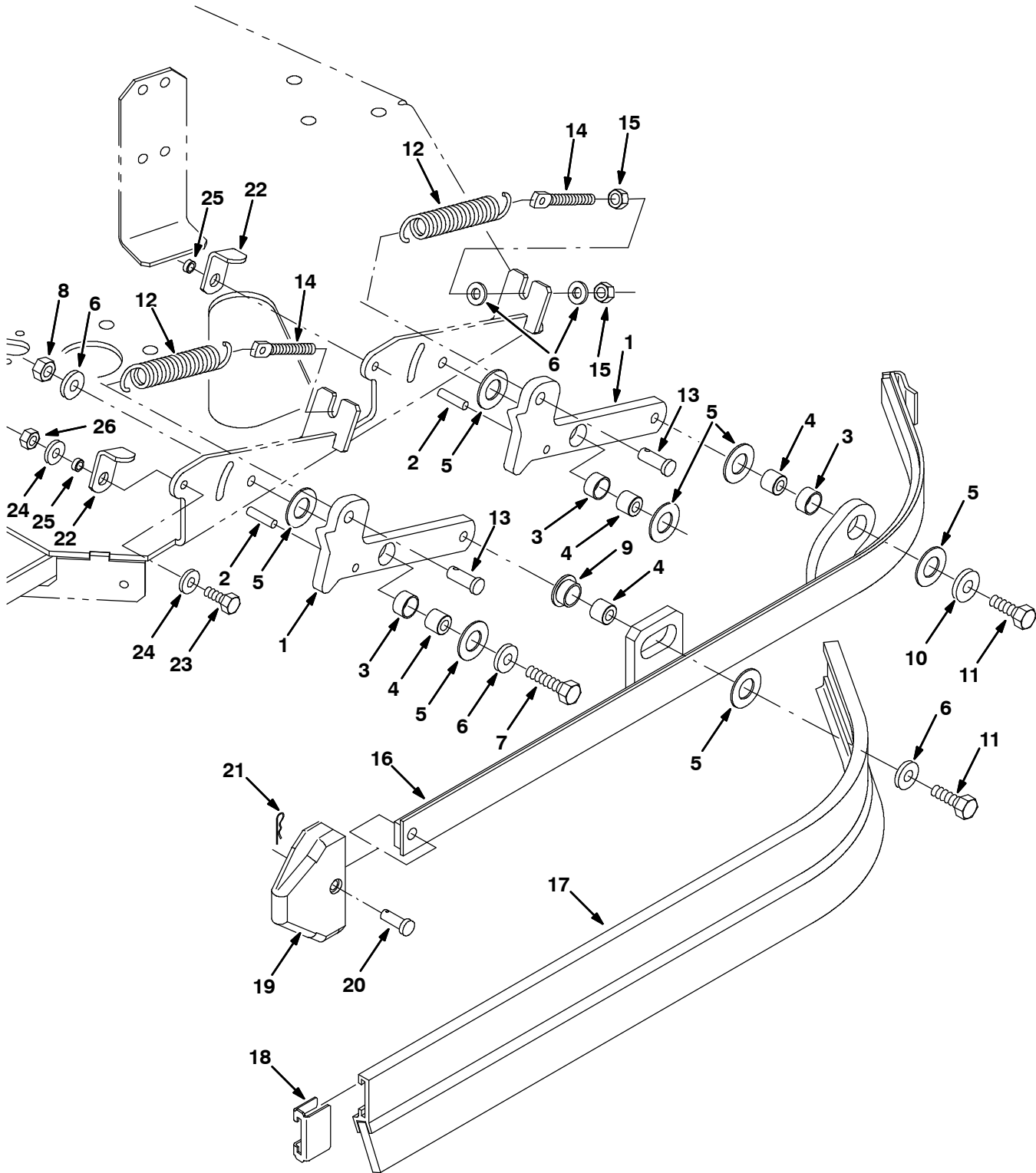


Fig. 22 - Max Pro 1200 (Disc-Brush) Left Side Squeegee Group

Ref.	Tennant Part No.	Machine Serial Number	Description	Qty.
1	1056863	(000000-) Arm, Mtg, Side Sqge Frame, Ele, Gray	2
2	17404	(000000-) Pin, Roll, .250 D X 0.75l, .250/.256	2
3	71607	(000000-) Bushing, Sleeve, 0.63b 0.72d 0.38l	3
4	386356	(000000-) Sleeve, .335b X .62d X .52l, Sst	4
5	64425	(000000-) Washer, Thrust, 0.61b 1.25d .06, Fgl	7
6	01685	(000000-) Washer, Flt, .31 Ss	7
7	09023	(000000-) Screw, Hex, M08 X 1.25 X 35, Ss	2
8	08713	(000000-) Nut, Hex, Lock, M08 X 1.25, NI, Ss	2
9	25735	(000000-) Bushing, Flng, 0.63b 0.75d 0.38l	1
10	01686	(000000-) Washer, Flt, .38 Ss	2
11	12333	(000000-) Screw, Hex, M08 X 1.25 X 25, Ss, NI	2
12	87816	(000000-) Spring, Extn, 0.75od X 0.09wir, 2.5l	2
13	76653	(000000-) Pin, Clevis, 0.37 D X 1.00l	2
14	386088	(000000-) Bolt, Eye, M8 X 1.25, 2.75l	2
15	07786	(000000-) Nut, Hex, Std, M08 X 1.25, Ss	4
16	386262	(000000-) Frame Wldt, Sqge, Side, Lh	1
17	386260	(000000-) Squeegee, Side	1
18	86759	(000000-) Retainer, Sqge	1
19	386986	(000000-) Guide, Point, Side Sqge	1
20	386987	(000000-) Pin, Clevis, 0.31d 0.88l	1
21	86866	(000000-) Pin, Hair Cotter, 0.38 D .072 Wir	1
22	386391	(000000-) Latch, Double Scrub, Side Sqge	2
23	08716	(000000-) Screw, Hex, M06 X 1.0 X 20, Ss	2
24	01684	(000000-) Washer, Flt, .25 Ss	4
25	80491	(000000-) Sleeve	2
26	08712	(000000-) Nut, Hex, Lock, M06 X 1.0, NI, Ss	2

Fig. 23 - Max Pro 1000 (Cylindrical Brush) Scrub Head Frame and Linkage Group

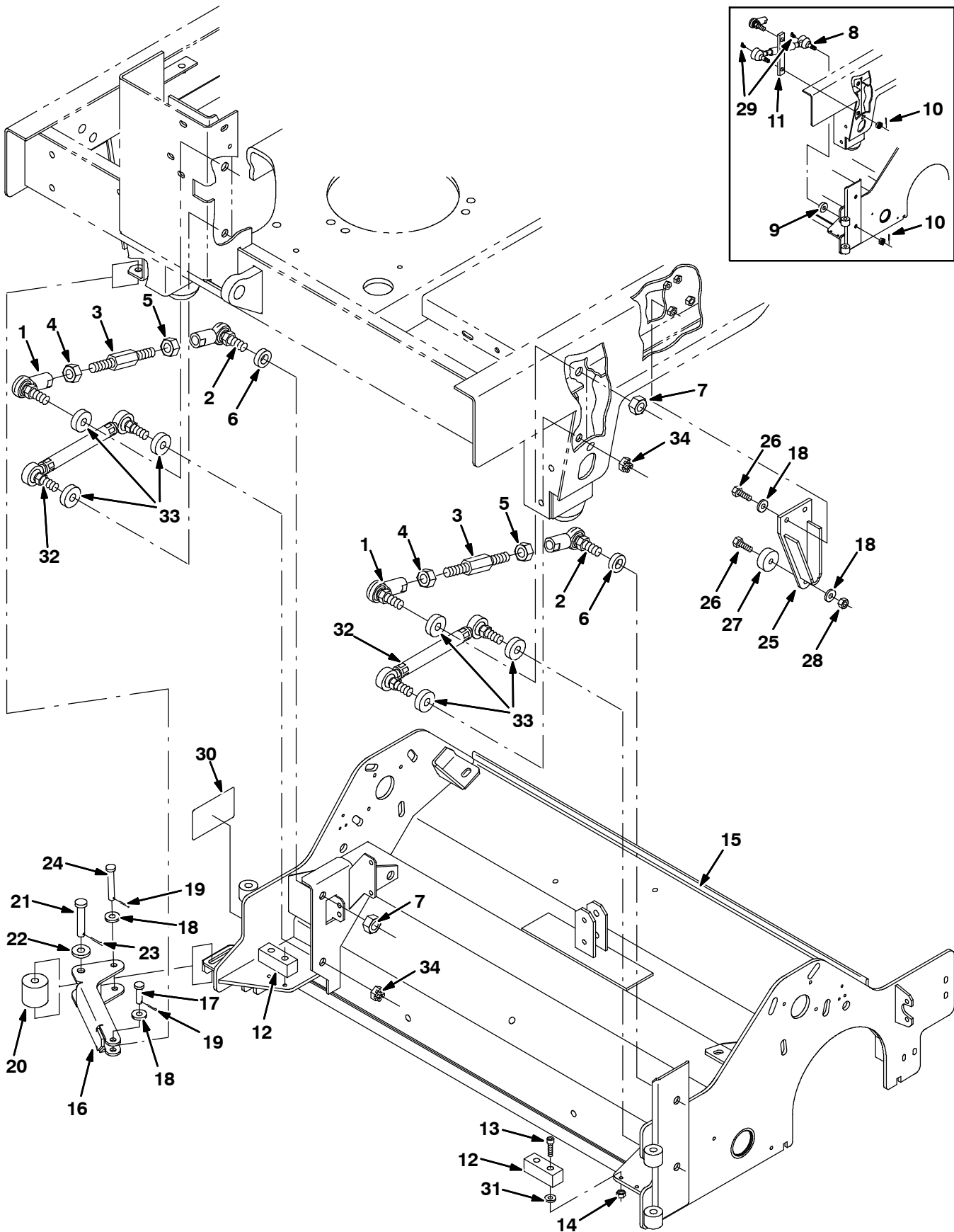


Fig. 23 - Max Pro 1000 (Cylindrical Brush) Scrub Head Frame and Linkage Group

Ref.	Tennant Part No.	Machine Serial Number	Description	Qty.
1	77275	(000000-) Rod-End, .62-18rh Fem 0.50-18stud	2
2	386070	(000000-) Rod-End, .625-18, Lh	2
3	386071	(000000-) Rod, Link	2
4	77276	(000000-) Nut, Hex, Jam, .62-18, Ss	2
5	77277	(000000-) Nut, Hex, Jam, .62-18, Ss, Lh	2
6	1057066	(000000-) Tube, 0.69id 1.25od 00.4l, Rod-End, Gray	2
7	40814	(000000-) Nut, Hex, Lock, .62-18, NI, Thin	4
8	363113	(000000-004780) Link Wldt, Head, Drag (Replaced by 9005751)	2
9	14524	(000000-004780) Spacer, Washer	2
10	08346	(000000-004780) Pin, Cotter, .125 X 0.75	4
11	386844	(000000-004780) Spacer, Plate	2
12	386865	(000000-) Bumper	2
13	24198	(000000-) Screw, Pan, M05 X 0.8 X 25, Ss	4
14	09739	(000000-) Nut, Hex, Lock, M05 X 0.8, NI, Ss	4
15	1056848	(000000-) Housing Wldt, Brush, Iron Gray	1
16	1001099	(000000-006999) Guard, Kick In, Scb Head	1
16	1056390	(007000-) Guard, Kick In, Scb Head, Iron Gray	1
17	29557	(000000-) Pin, Clevis, 0.37 D X 1.31l	1
18	01686	(000000-) Washer, Flt, .38 Ss	5
19	39005	(000000-) Pin, Cotter, .094 X 0.75	2
20	72946	(000000-) Roller	1
21	06279	(000000-) Pin, Clevis, 0.50 D X 2.50l	1
22	32493	(000000-) Washer, Flt, .50 Std	1
23	08182	(000000-) Pin, Cotter, .125 X 1.00	1
24	365180	(000000-) Pin, Clevis, 0.38 D X 2.50l	1
25	1056494	(000000-) Plate Wldt, Stop, Iron Gray	1
26	09010	(000000-) Screw, Hex, M08 X 1.25 X 25, Ss	3
27	15023	(000000-) Bumper, Pye	1
28	08713	(000000-) Nut, Hex, Lock, M08 X 1.25,NI, Ss	1
29	09718	(000000-004780) Fitting, Grease, E90 Pm04 .75L	4
30	365156	(000000-) Label Set, Info/Hzrd, [Max Pro]	1
31	13248	(000000-) Washer, 0.40B 1.12D .12, Stl, PI	4
32	1050193	(004781-) Link Assy, Rod-End, .63-18	2
33	1057066	(004781-) Tube, 0.69id 1.25od 00.4l, Rod-End, Gray	6
34	40814	(004781-) Nut, Hex, Lock, .62-18, NI, Thin	4

Fig. 24 - Max Pro 1000 (Cylindrical Brush) Scrub Head Drive Group

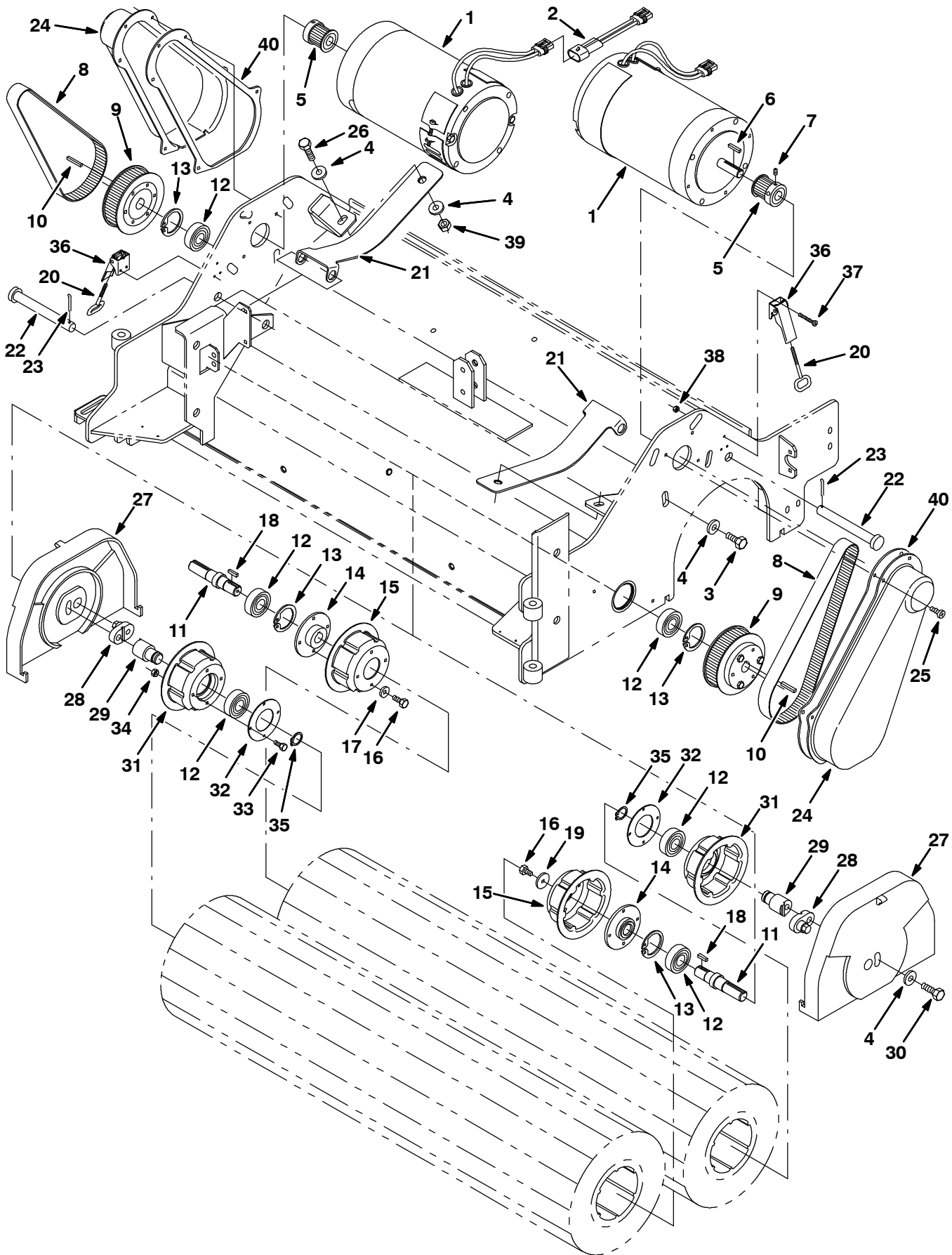


Fig. 24 - Max Pro 1000 (Cylindrical Brush) Scrub Head Drive Group

Ref.	Tennant Part No.	Machine Serial Number	Description	Qty.	
1	386050	(000000-003887)	Motor, Ele, 36vdc 1500rpm 1.5hp (See Breakdown) (Repl By 377398AM)	2	
▽	1	377398	(003888-)	Motor, Ele, 36Vdc 1.50Hp 1500Rpm 43.0A	2
▲	621478	(002094-)	Brush, Carbon	2	
2	363468	(000000-)	Wire Assy, Jumper Reverse, [515]	1	
3	09291	(000000-)	Screw, Hex, M10 X 1.5 X 20, Ss	8	
4	01686	(000000-)	Washer, Flt, .38 Ss	14	
5	83052	(000000-)	Sprocket, Timing, 23tooth, 0.625b	2	
6	00912	(000000-)	Key, Sq, 0.19 X 0.19, 01.00l	2	
7	39323	(000000-)	Screw, Set, #10-32 X 0.38, Al	4	
8	386053	(000000-)	Belt, Drive (Cylindrical Brush)	2	
9	375301	(000000-)	Sprocker, Timing, 4.26Pd, 68 Grv, PI	2	
10	00918	(000000-)	Key, Sq, 0.19 X 0.19, 01.25l	2	
11	386058	(000000-)	Shaft, Drive, Brush	2	
12	46390	(000000-)	Bearing, Ball, 0.79b 1.85d 0.55w	6	
13	10464	(000000-)	Ring, Retaining, Int, 1.85d, Basic	4	
14	1056846	(000000-)	Hub Wldt, Drive, Brush, Iron Gray	2	
15	1056847	(000000-)	Plug, Drive, Brush, Spl, Iron Gray	2	
16	15678	(000000-)	Screw, Hex, M06 X 1.0 X 16, Ss	10	
17	01684	(000000-)	Washer, Flt, .25 Ss	8	
18	00911	(000000-)	Key, Sq, 0.19 X 0.19, 00.75l	2	
19	386063	(000000-)	Washer, 0.25b 1.12d .12, Ss	2	
20	386274	(000000-)	Hook Wldt, Latch	2	
21	1057089	(000000-)	Spring, Motor, Iron Gray	2	
22	386072	(000000-)	Pin, Clevis, .625 Dia X 5.25l	2	
23	02942	(000000-)	Pin, Hair Cotter, 0.62 D .120 Wir	2	
24	386066	(000000-)	Cover, Drive	2	
25	48732	(000000-)	Screw, Pan, M06 X 1.0 X 10, Ss	10	
26	12317	(000000-)	Screw, Hex, M10 X 1.5 X 30, Ss	2	
27	386080	(000000-)	Cover, Idler	2	
28	386841	(000000-)	Cam, Front	2	
29	386842	(000000-)	Cam, Rear	2	
30	12317	(000000-)	Screw, Hex, M10 X 1.5 X 30, Ss	2	
31	1057512	(000000-)	Plug, Drive, Brush, Spl, Iron Gray	2	
32	1056838	(000000-)	Retainer, Brg, Iron Gray	2	
33	09738	(000000-)	Screw, Hex, M05 X 0.8 X 12, Ss	8	
34	06549	(000000-)	Nut, Hex, Lock, M05 X 0.8, NI	8	
35	26428	(000000-)	Ring, Retaining, Ext, 0.75d, Hd	2	
36	386257	(000000-)	Latch	2	
37	09198	(000000-)	Screw, Pan, M04 X 0.7 X 35, Ss	6	
38	33932	(000000-)	Nut, Hex, Lock, M04 X 0.7, NI, Ss	6	
39	08714	(000000-)	Nut, Hex, Lock, M10 X 1.5, NI, SS	2	
40	1001062	(000000-)	Gasket, Cover	2	

Fig. 25 - Max Pro 1000 (Cylindrical Brush) Solution Valve Group

Ref.	Tennant Part No.	Machine Serial Number	Description	Qty.
1	84028	(000000-) Valve, Water	1
2	15678	(000000-) Screw, Hex, M06 X 1.0 X 16, Ss	2
3	01684	(000000-) Washer, Flt, .25 Ss	2
4	08712	(000000-) Nut, Hex, Lock, M06 X 1.0, NI, Ss	2
5	1056873	(000000-) Angle, Iron Gray	2
6	69234	(000000-) Clamp, Cable, Stl, 1.00d X 0.62w, 1h	3
7	15675	(000000-) Screw, Hex, M08 X 1.25 X 16, Ss	7
8	08709	(000000-) Nut, Hex, Lock, M08 X 1.25,NI	5
9	01685	(000000-) Washer, Flt, .31 Ss	9
10	73474	(000000-) Hose, Pvc, Brd, 0.75id 1.00od 44.50l	1
11	40566	(000000-) Fitting, Plstc, E90, Bm12/Bm12	3
12	364899	(000000-) Hose, Pvc, Brd, 0.75id 1.03od 01.50l	1
13	364896	(000000-) Hose, Pvc, Brd, 0.75id 1.03od 11.00l	1
14	41315	(000000-) Fitting, Plstc, Tee, Bm12/Bm12/Bm12	1
15	364895	(000000-) Hose, Pvc, Brd, 0.75ID 1.03OD 05.00L	1
16	11399	(000000-) Clamp, Hose, Wormdrive, 0.81-1.50d	6
17	16914	(000000-) Hose, Pvc, Brd, 0.75ID 1.00OD 02.00L	1

OPTIONS

Fig. 26 - Max Pro 1000 (Cylindrical Brush) Solution Valve Group (FaST/ec-H2O)

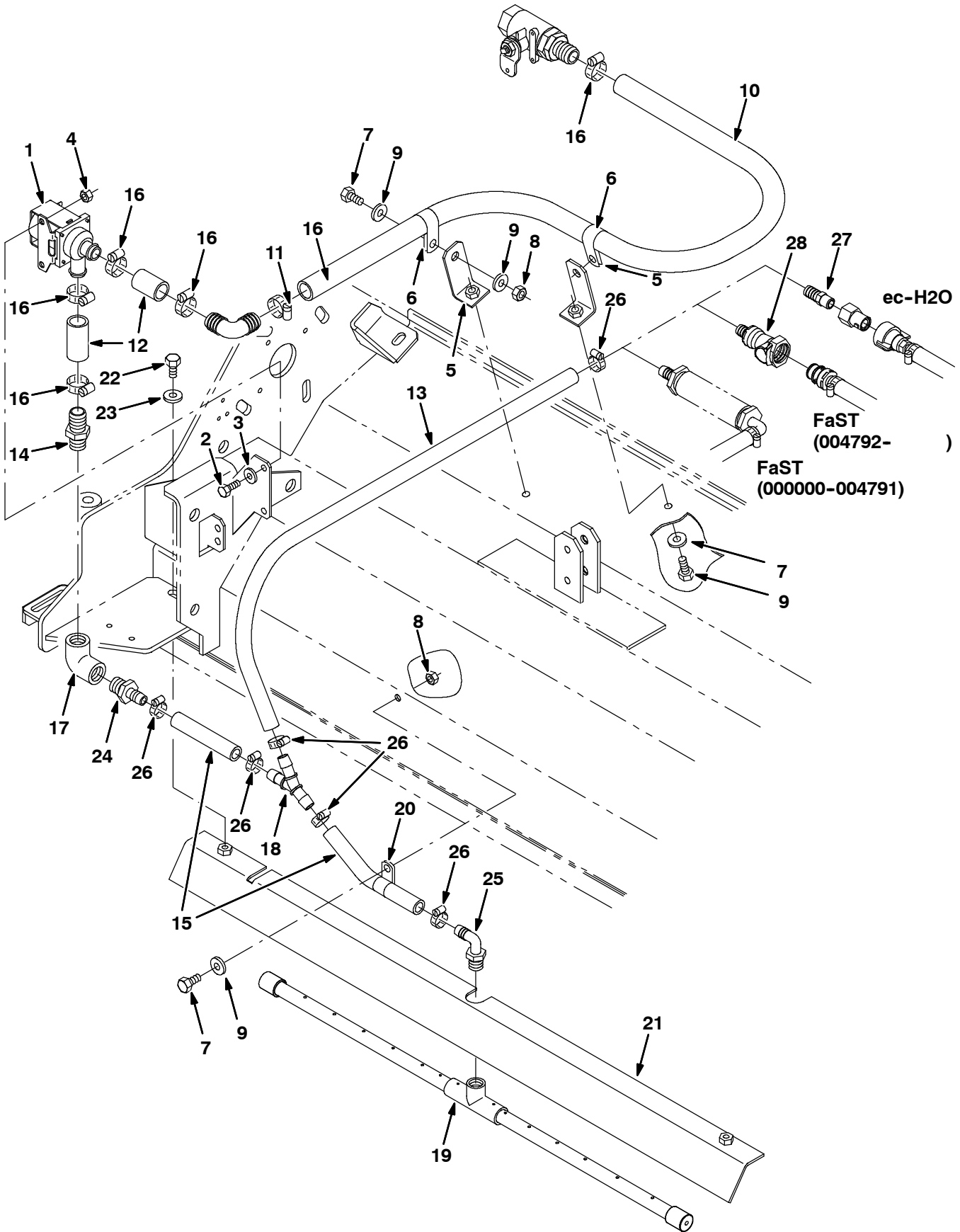


Fig. 26 - Max Pro 1000 (Cylindrical Brush) Solution Valve Group (FaST/ec-H2O)

Ref.	Tennant Part No.	Machine Serial Number	Description	Qty.
1	84028	(000000-) Valve, Water	1
2	15678	(000000-) Screw, Hex, M06 X 1.0 X 16, Ss	2
3	01684	(000000-) Washer, Flt, .25 Ss	2
4	08712	(000000-) Nut, Hex, Lock, M06 X 1.0, NI, Ss	2
5	1056873	(000000-) Angle, Iron Gray	2
6	69234	(000000-) Clamp, Cable, Stl, 1.00d X 0.62w, 1h	2
7	15675	(000000-) Screw, Hex, M08 X 1.25 X 16, Ss	5
8	08709	(000000-) Nut, Hex, Lock, M08 X 1.25, NI	3
9	01685	(000000-) Washer, Flt, .31 Ss	7
10	1015045	(000000-) Hose, Afmkt, Pvc, Brd 0.75id 8 Ft	1
11	40566	(000000-) Fitting, Plstc, E90, Bm12/Bm12	3
12	1015048	(000000-) Hose, Afmkt, Pvc, Brd 0.75id 1 Ft	1
13	1011521	(000000-) Hose, Afmkt Replmt, Pvc, Brd 0.50id 2 Ft	1
14	78398	(000000-) Fitting, Plstc, Str, Bm12/Pm08, Nyl	1
15	1011403	(000000-) Hose, Afmkt Replmt, Pvc, Brd 0.50id 1 Ft	1
16	11399	(000000-) Clamp, Hose, Wormdrive, 0.81-1.50d	6
17	79572	(000000-) Fitting, Plstc, E90, Pf08/Pf08	1
18	1010668	(000000-) Fitting, Plstc, Y, Bm08/Bm08/Bm08 Nyl	1
19	1015097	(000000-) Tube Assy, Spray Bar 40" [7300/8300]	1
20	07471	(000000-) Clamp, Cable, Stl, 0.75d X 0.75w, 1h	1
21	1057531	(000000-) Bracket, Bar, Spray, 40.0 [7300/8300]	1
22	49826	(000000-) Screw, Hex, M8 X 1.25 X 16, Ss, NI	2
23	32492	(000000-) Washer, Flat, 0.38 Std	2
24	79273-4	(000000-) Fitting, Plstc, Str, Bm08/Pm08	1
25	64778	(000000-) Fitting, Plstc, E90, Bm08/Pm06	1
26	54333	(000000-) Clamp, Hose, Wormdrive, 0.31-0.88d	6
27	48610	(000000-) Fitting, Plstc, Str, Bm08/Pm04 (ec-H2O)	1
28	1017413	(004792-) Housing, Cplg, Qf / Pm08 (FaST)	1

Fig. 27 - Max Pro 1000 (Cylindrical Brush) Edge Scrub Group

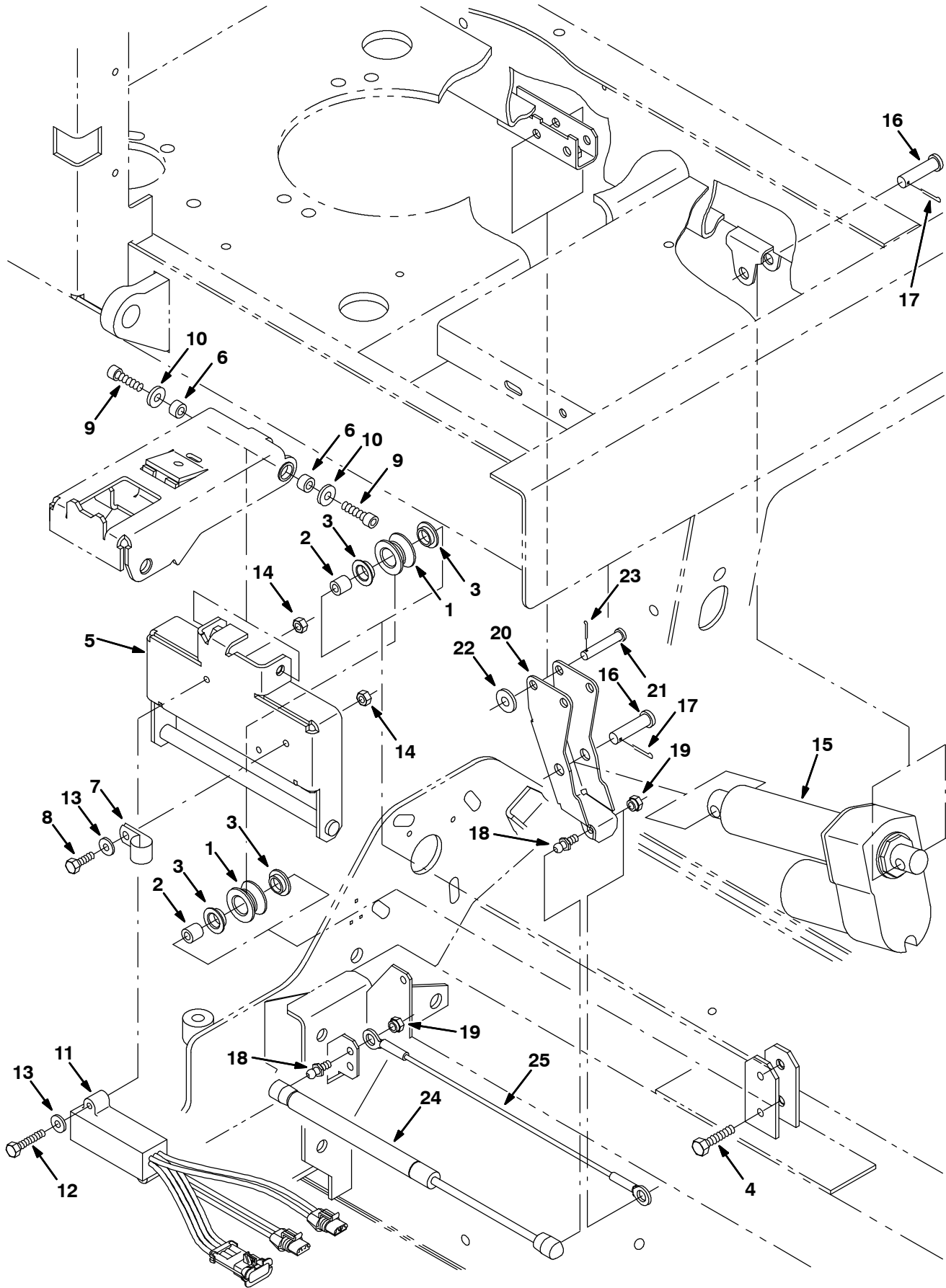


Fig. 27 - Max Pro 1000 (Cylindrical Brush) Edge Scrub Group

Ref.	Tennant Part No.	Machine Serial Number	Description	Qty.
1	363120	(000000-) Roller	2
2	222277	(000000-) Sleeve	2
3	04843	(000000-) Bushing, Flng, 0.63b 0.72d 0.25l	4
4	222505	(000000-) Screw, Hex, M08 X 1.25 X 45, Ss	2
5	1056843	(000000-) Rail Wldt, Lift, Cyl Head, Iron Gray	1
6	222556	(000000-) Sleeve	2
7	67767	(000000-) Clamp, Cable, Stl, 0.69d X 0.62w, 1h	1
8	08716	(000000-) Screw, Hex, M06 X 1.0 X 20, Ss	1
9	39308	(000000-) Screw, Soc, M08 X 1.25 X 25, 12.9	2
10	01685	(000000-) Washer, Flt, .31 Ss	2
11	363237	(000000-) Shunt, 2Hd Mtrs, Scrub 515, Red	1
12	33930	(000000-) Screw, Hex, M06 X 1.0 X 40, Ss	2
13	01684	(000000-) Washer, Flt, .25 Ss	3
14	08712	(000000-) Nut, Hex, Lock, M06 X 1.0, NI, Ss	3
15	363152	(000000-) Actuator, 36vdc, 02.7stroke 500lb	1
16	51534	(000000-) Pin, Clevis, 0.50D X 2.00L	2
17	08182	(000000-) Pin, Cotter, .125 X 1.00	2
18	58494	(000000-) Stud, Ball, .39d .31-16, Gasspring	2
19	14725	(000000-) Nut, Retainer, .31-18	2
20	1056845	(000000-) Arm Wldt, Pivot, Side, Gray [7300/8300]	1
21	29584	(000000-) Pin, Clevis, 0.37 D X 2.00l	1
22	01686	(000000-) Washer, Flt, .38 Ss	1
23	39005	(000000-) Pin, Cotter, .094 X 0.75	1
24	364858	(000000-) Gasspring, 56lb, 6.3strk	1
25	364404	(000000-) Cable, .13d, 15.5l, .50eye /.50eye	1

Fig. 28 - Max Pro 1000 (Cylindrical Brush) Right Side Squeegee Group

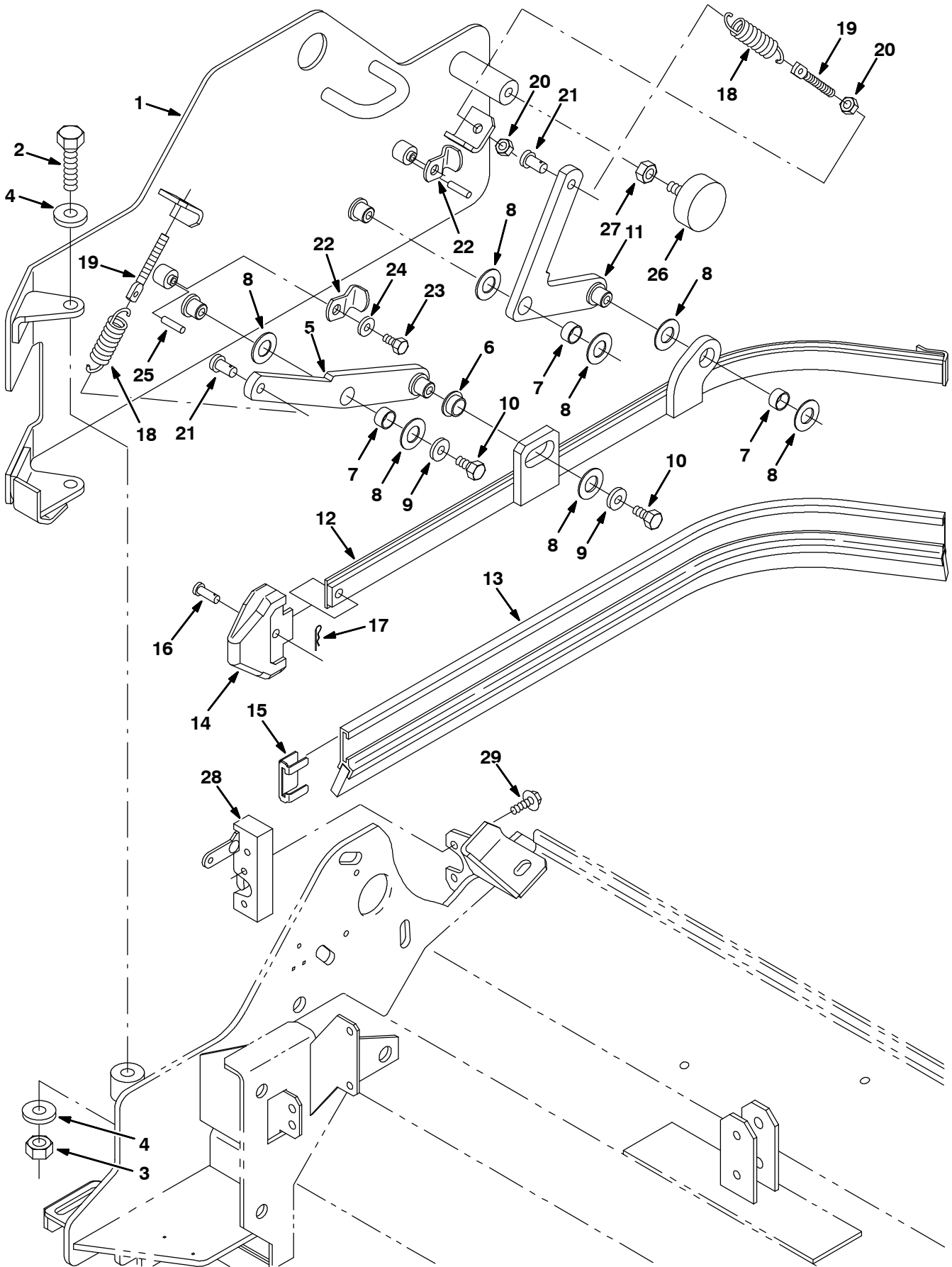


Fig. 28 - Max Pro 1000 (Cylindrical Brush) Right Side Squeegee Group

Ref.	Tennant Part No.	Machine Serial Number	Description	Qty.
1	1056874	(000000-) Guard Wldt, Rh, Iron Gray	1
2	09774	(000000-) Screw, Hex, M12 X 1.75 X 50, Ss	2
3	09741	(000000-) Nut, Hex, Lock, M12 X 1.75,NI, Ss	2
4	33925	(000000-) Washer, Flat, M12, 13x24x2.5ss	4
5	386269	(000000-006999) Arm Wldt, Front, Rh	1
5	1056491	(007000-) Arm Wldt, Front, Rh, Iron Gray	1
6	25735	(000000-) Bushing, Flng, 0.63b 0.75d 0.38l	1
7	71607	(000000-) Bushing, Sleeve, 0.63b 0.72d 0.38l	3
8	64425	(000000-) Washer, Thrust, 0.61b 1.25d .06, Fgl	7
9	01686	(000000-) Washer, Flt, .38 Ss	4
10	386868	(000000-) Screw, Hex, M08x1.25 X12,Ss	4
11	386268	(000000-006999) Arm Wldt, Rear, Rh	1
11	1056490	(007000-) Arm Wldt, Rear, Rh, Iron Gray	1
12	386263	(000000-) Frame Wldt, Sqge, Side, Rh	1
13	386260	(000000-) Squeegee, Side	1
14	386986	(000000-) Guide, Point, Side Sqge	1
15	86759	(000000-) Clip, Sqge	1
16	386987	(000000-) Pin, Clevis, 0.31d 0.88l	1
17	08085	(000000-) Pin, Hair Cotter, 0.31 D .058 Wir	1
18	87816	(000000-) Spring, Extn, 0.75od X 0.09wir, 2.5l	2
19	386088	(000000-) Bolt, Eye, M8 X 1.25, 2.75l	2
20	07786	(000000-) Nut, Hex, Std, M08 X 1.25, Ss	4
21	41305	(000000-) Pin, Clevis, 0.37 D X 0.75l	2
22	1056875	(000000-) Arm, Latch, Iron Gray	2
23	09744	(000000-) Screw, Hex, M06 X 1.0 X 12, Ss	2
24	01684	(000000-) Washer, Flt, .25 Ss	2
25	17404	(000000-) Pin, Roll, .250 D X 0.75l, .250/.256	2
26	70756	(000000-) Bumper, Rbr, 2.0d 0.75t .38-16	1
27	01692	(000000-) Nut, Hex, Std, .38-16, Ss	1
28	72439	(000000-) Latch	1
29	16949	(000000-) Screw, Hex, .25-20 X 0.75, Sems	4

Fig. 29 - Max Pro 1000 (Cylindrical Brush) Left Side Squeegee Group

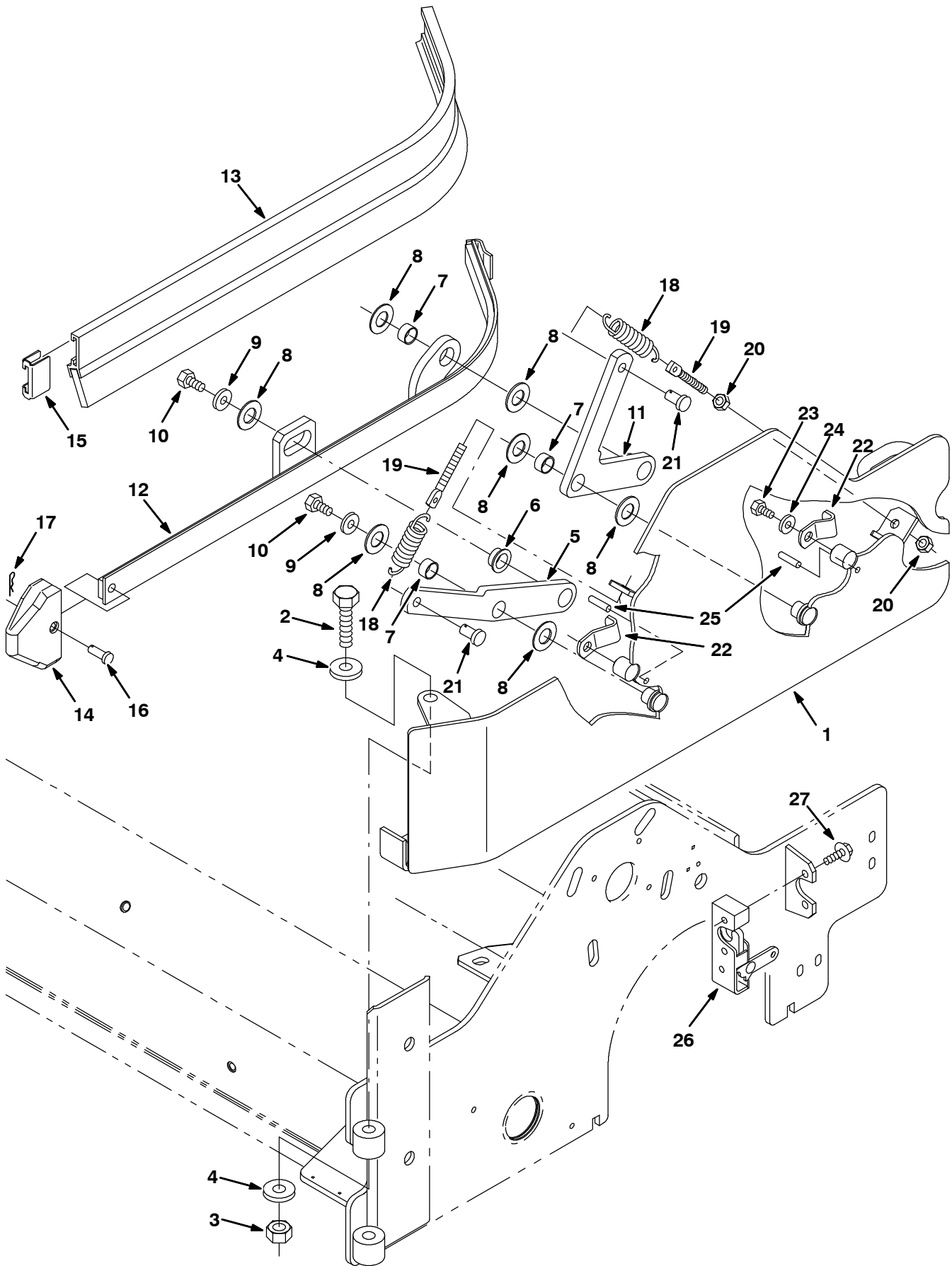


Fig. 29 - Max Pro 1000 (Cylindrical Brush) Left Side Squeegee Group

Ref.	Tennant Part No.	Machine Serial Number	Description	Qty.
1	386496	(000000-006999)	Guard Wldt, Lh	1
1	1056495	(007000-	Guard Wldt, Lh, Iron Gray	1
2	09774	(000000-	Screw, Hex, M12 X 1.75 X 50, Ss	2
3	09741	(000000-	Nut, Hex, Lock, M12 X 1.75,NI, Ss	2
4	33925	(000000-	Washer, Flat, M12, 13x24x2.5ss	4
5	386276	(000000-006999)	Arm Wldt, Front, Lh	1
5	1056493	(007000-	Arm Wldt, Front, Lh, Iron Gray	1
6	25735	(000000-	Bushing, Flng, 0.63b 0.75d 0.38l	1
7	71607	(000000-	Bushing, Sleeve, 0.63b 0.72d 0.38l	3
8	64425	(000000-	Washer, Thrust, 0.61b 1.25d .06, Fgl	7
9	01686	(000000-	Washer, Flt, .38 Ss	4
10	386868	(000000-	Screw, Hex, M08x1.25 X12,Ss	4
11	386275	(000000-006999)	Arm Wldt, Rear, Lh	1
11	1056492	(007000-	Arm Wldt, Rear, Lh, Iron Gray	1
12	386262	(000000-	Frame Wldt, Sqge, Side, Lh	1
13	386260	(000000-	Squeegee, Side	1
14	386986	(000000-	Guide, Point, Side Sqge	1
15	86759	(000000-	Clip, Sqge	1
16	386987	(000000-	Pin, Clevis, 0.31d 0.88l	1
17	08085	(000000-	Pin, Hair Cotter, 0.31 D .058 Wir	1
18	87816	(000000-	Spring, Extn, 0.75od X 0.09wir, 2.5l	2
19	386088	(000000-	Bolt, Eye, M8 X 1.25, 2.75l	2
20	07786	(000000-	Nut, Hex, Std, M08 X 1.25, Ss	4
21	41305	(000000-	Pin, Clevis, 0.37 D X 0.75l	2
22	1056875	(000000-	Arm, Latch, Iron Gray	2
23	09744	(000000-	Screw, Hex, M06 X 1.0 X 12, Ss	2
24	01684	(000000-	Washer, Flt, .25 Ss	2
25	17404	(000000-	Pin, Roll, .250 D X 0.75l, .250/.256	2
26	59661	(000000-	Latch	1
27	16949	(000000-	Screw, Hex, .25-20 X 0.75, Sems	4

Fig. 30 - Max Pro 1000 (Cylindrical Brush) Debris Tray Group

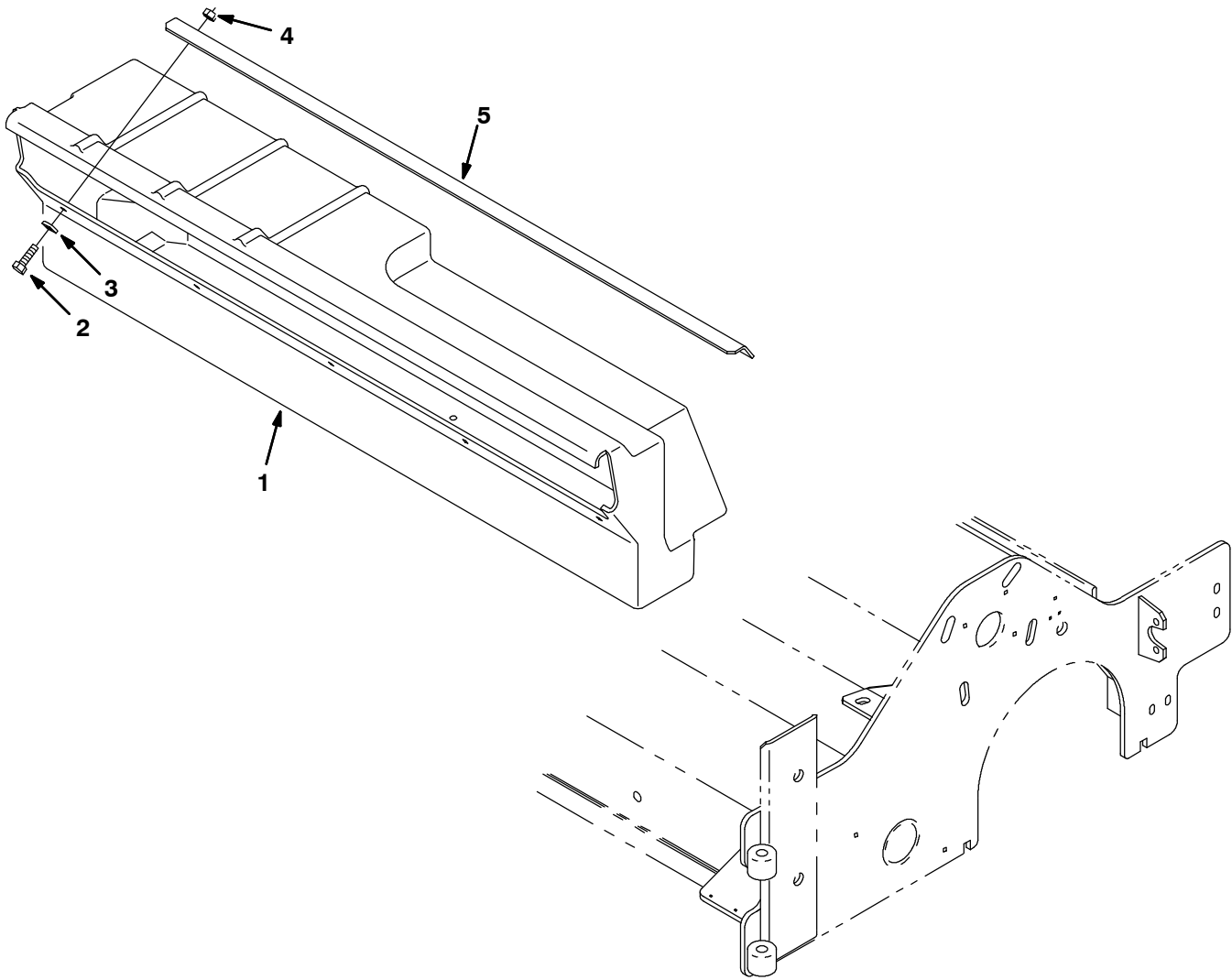


Fig. 30 - Max Pro 1000 (Cylindrical Brush) Debris Tray Group

Ref.	Tennant Part No.	Machine Serial Number	Description	Qty.
1	387671	(000000-) Tray, Debris, 40L, W/Holes	1
2	08716	(000000-) Screw, Hex, M6X1.0X20, Ss	5
3	01684	(000000-) Washer, Flat, 0.25 Ss	5
4	08712	(000000-) Nut, Hex, Lock, M6X1.0, Ss, NI	5
5	1057526	(000000-) Angle, Iron Gray	1

Fig. 31 - Max Pro 1000 (Cylindrical Brush) Vacuumized Debris Tray Group

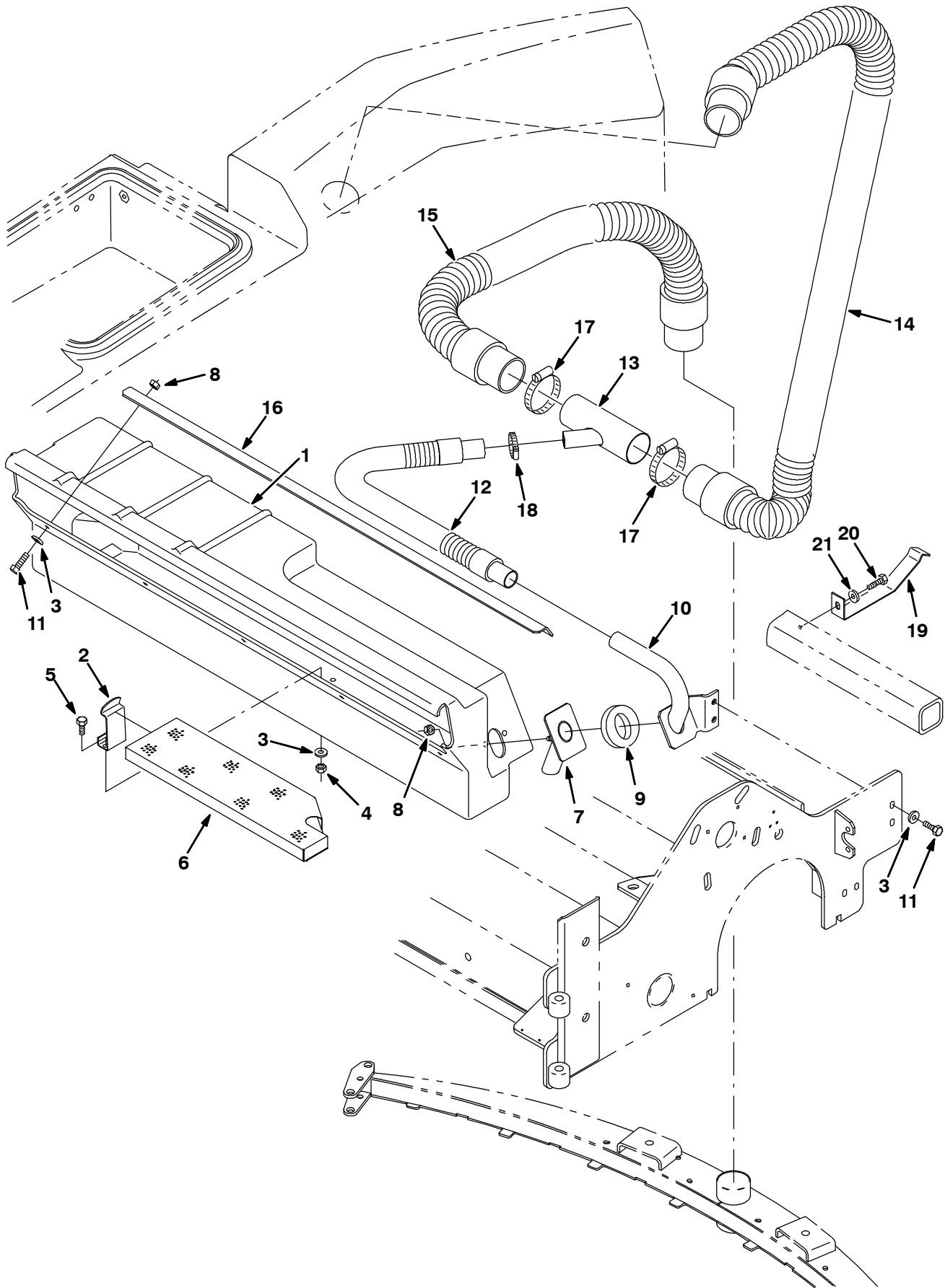


Fig. 31 - Max Pro 1000 (Cylindrical Brush) Vacuumized Debris Tray Group

Ref.	Tennant Part No.	Machine Serial Number	Description	Qty.
1	386282	(000000-) Tray, Debris, 40.0l	1
2	87244	(000000-) Clip, Spring, Prop Arm	1
3	01684	(000000-) Washer, Flt, .25 Ss	14
4	08712	(000000-) Nut, Hex, Lock, M06 X 1.0, NI, Ss	2
5	09744	(000000-) Screw, Hex, M06 X 1.0 X 12, Ss	2
6	386500	(000000-) Screen Wldt	1
7	1057520	(000000-) Tube Wldt, Vacuum, Scrbr Head, Iron Gray	1
8	08712	(000000-) Nut, Hex, Lock, M06 X 1.0, NI, Ss	7
9	386504	(000000-) Gasket, Foam	1
10	1057521	(000000-) Tube Wldt, Upper, Iron Gray	1
11	08716	(000000-) Screw, Hex, M06 X 1.0 X 20, Ss	7
12	222788	(000000-003545) Hose Assy, W/2cuff, 1.0d, 23l	1
12	387517	(003546-) Hose Assy, W/2cuff, 1.0d, 41l	1
13	386518	(000000-) Tube Wldt	1
14	386514	(000000-003545) Hose, Vacuum, 58.5l	1
14	1005133	(003546-) Hose Assy, W/2cuff, 2.0d 75l	1
15	387256	(000000-003545) Hose, Vacuum, 35.0l	1
15	1005135	(003546-) Hose Assy, W/2cuff, 2.0d 26l	1
16	1057526	(000000-) Angle, Iron Gray	1
17	14432	(000000-) Clamp, Hose, Wormdrive, 1.81-2.75d	2
18	11399	(000000-) Clamp, Hose, Wormdrive, 0.81-1.50d	1
19	1002464	(003546-) Bracket, Tube , Tee	1
20	361339	(003546-) Screw, Hex, M 6 X 1.0 X 16, Fmg	1
21	32483	(003546-) Washer, Flat, 0.25 Sae	1

Fig. 32 - Max Pro 1200 (Cylindrical Brush) Scrub Head Frame and Linkage Group

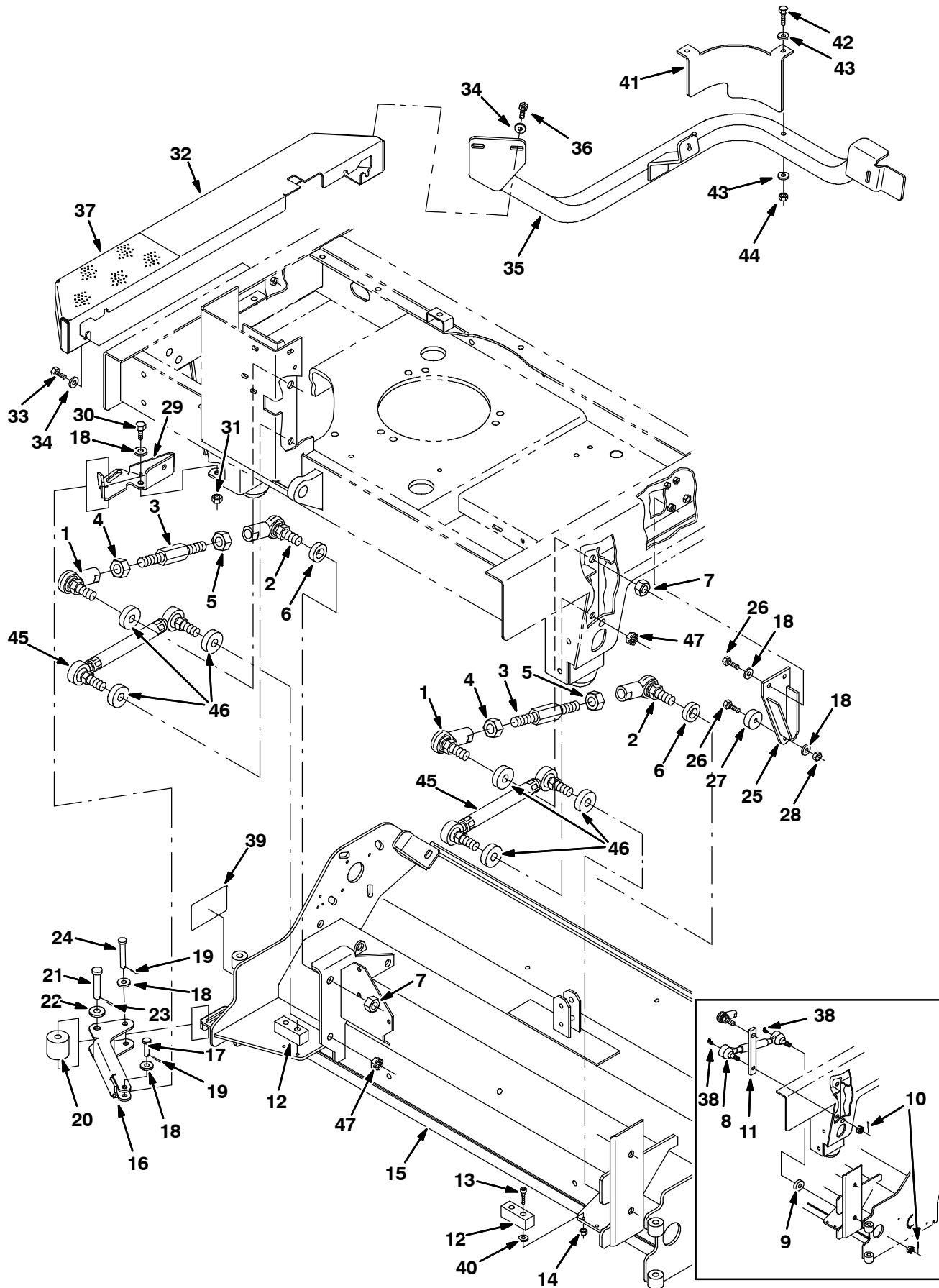


Fig. 32 - Max Pro 1200 (Cylindrical Brush) Scrub Head Frame and Linkage Group

Ref.	Tennant Part No.	Machine Serial Number	Description	Qty.
1	77275	(000000-) Rod-End, .62-18rh Fem 0.50-18stud	2
2	386070	(000000-) Rod-End, .625-18, Lh	2
3	386071	(000000-) Rod, Link	2
4	77276	(000000-) Nut, Hex, Jam, .62-18, Ss	2
5	77277	(000000-) Nut, Hex, Jam, .62-18, Ss, Lh	2
6	1057066	(000000-) Tube, 0.69id 1.25od 00.4l, Rod-End, Gray	2
7	40814	(000000-) Nut, Hex, Lock, .62-18, NI, Thin	4
8	363113	(000000-004780) Link Wldt, Head, Drag (Replaced by 9005751)	2
9	14524	(000000-004780) Spacer, Washer	2
10	08346	(000000-004780) Pin, Cotter, .125 X 0.75	4
11	386844	(000000-004780) Spacer, Plate	2
12	386865	(000000-) Bumper	2
13	24198	(000000-) Screw, Pan, M05 X 0.8 X 25, Ss	4
14	09739	(000000-) Nut, Hex, Lock, M05 X 0.8, NI, Ss	4
15	1056903	(000000-) Housing Wldt, Brush, Iron Gray	1
16	1001099	(000000-006999) Guard, Kick In, Scb Head	1
16	1056390	(007000-) Guard, Kick In, Scb Head, Iron Gray	1
17	29557	(000000-) Pin, Clevis, 0.37 D X 1.31l	1
18	01686	(000000-) Washer, Flt, .38 Ss	7
19	39005	(000000-) Pin, Cotter, .094 X 0.75	2
20	72946	(000000-) Roller	1
21	06279	(000000-) Pin, Clevis, 0.50 D X 2.50l	1
22	32493	(000000-) Washer, Flt, .50 Std	1
23	08182	(000000-) Pin, Cotter, .125 X 1.00	1
24	365180	(000000-) Pin, Clevis, 0.38 D X 2.50l	1
25	1056494	(000000-) Plate Wldt, Stop, Iron Gray	2
26	09010	(000000-) Screw, Hex, M08 X 1.25 X 25, Ss	3
27	15023	(000000-) Bumper, Pye	1
28	08713	(000000-) Nut, Hex, Lock, M08 X 1.25,NI, Ss	1
29	386876	(000000-006999) Bracket, Adaptor, Mtg, Kick In, Frame	1
29	1056505	(007000-) Bracket, Adapter, Mtg, Kick In, Frame	1
30	09028	(000000-) Screw, Hex, M10 X 1.5 X 25, Ss	1
31	08714	(000000-) Nut, Hex, Lock, M10 X 1.5, NI, Ss	1
32	386827	(000000-006999) Bumper, Side, Scb Head, Wide	1
32	1056681	(007000-) Bumper, Side, Scb Head, Wide, Iron Gray	1
33	09740	(000000-) Screw, Hex, M08 X 1.25 X 20, Ss	4
34	01685	(000000-) Screw, Hex, M08 X 1.25 X 20, Ss	8
35	387245	(000000-006999) Guard Wldt, Sqge (MP 20)	1
35	1056517	(007000-) Guard Wldt, Sqge, Rear, Gray	1
36	09010	(000000-) Screw, Hex, M08 X 1.25 X 25, Ss	4
37	387080	(000000-) Tread, Floor, 12.5 X 5.75	1
38	09718	(000000-004780) Fitting, Grease, E90 Pm04 .75L	4
39	365156	(000000-) Label Set, Info/Hzrd, [Max Pro]	1
40	13248	(000000-) Washer, 0.40B 1.12D .12, Stl, PI	4
41	1007486	(000000-006999) Guard, Bumper	1
41	1057073	(007000-) Guard, Bmpr, Iron Gray	1
42	49694	(000000-) Screw, Hex, M 8 X 1.25 X 50, Ss	2

OPTIONS

Fig. 32 - Max Pro 1200 (Cylindrical Brush) Scrub Head Frame and Linkage Group

Ref.	Tennant Part No.	Machine Serial Number	Description	Qty.
43	01685	(000000-) Washer, Flat, 0.31 Ss	4
44	08713	(000000-) Nut, Hex, Lock, M 8 X 1.25, NI, Ss	2
45	1050193	(004781-) Link Assy, Rod-End, .63-18	2
46	1057066	(004781-) Tube, 0.69id 1.25od 00.4l, Rod-End, Gray	6
47	40814	(004781-) Nut, Hex, Lock, .62-18, NI, Thin	4

Fig. 33 - Max Pro 1200 (Cylindrical Brush) Scrub Head Drive Group

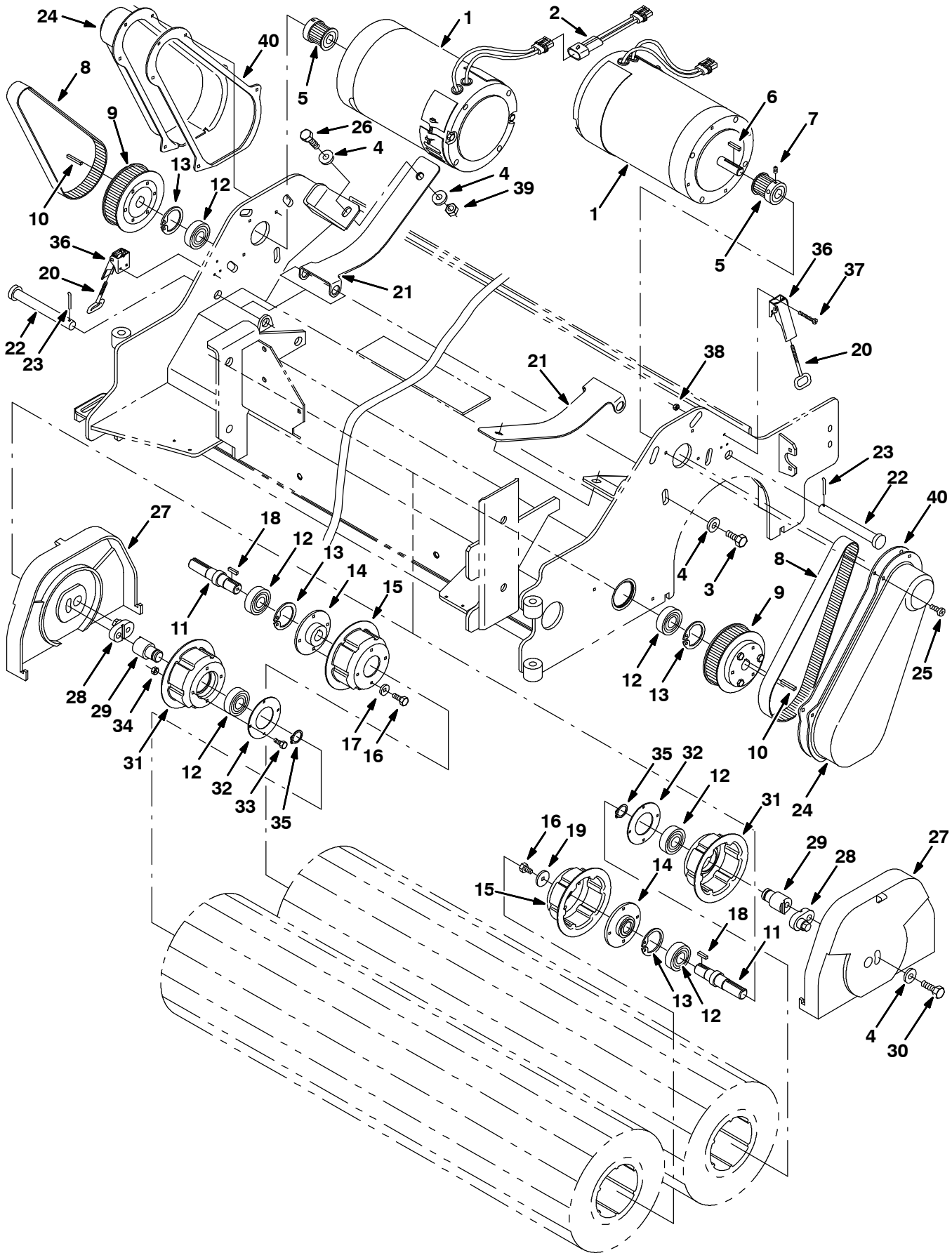


Fig. 33 - Max Pro 1200 (Cylindrical Brush) Scrub Head Drive Group

Ref.	Tennant Part No.	Machine Serial Number	Description	Qty.	
1	386050	(000000-003887)	Motor, Ele, 36vdc 1500rpm 1.5hp (See Breakdown) (Repl By 377398AM)	2	
▽	1	377398	(003888-)	Motor, Ele, 36Vdc 1.50Hp 1500Rpm 43.0A	2
▲	621478	(002094-)	Brush, Carbon	2	
2	363468	(000000-)	Wire Assy, Jumper Reverse, [515]	1	
3	09291	(000000-)	Screw, Hex, M10 X 1.5 X 20, Ss	8	
4	01686	(000000-)	Washer, Flt, .38 Ss	14	
5	83052	(000000-)	Sprocket, Timing, 23tooth, 0.625b	2	
6	00912	(000000-)	Key, Sq, 0.19 X 0.19, 01.00l	2	
7	39323	(000000-)	Screw, Set, #10-32 X 0.38, Al	4	
8	386053	(000000-)	Belt, Drive (Cylindrical Brush)	2	
9	375301	(000000-)	Sprocket, Timing, 4.261Pd, 68Grv, Pl	2	
10	00918	(000000-)	Key, Sq, 0.19 X 0.19, 01.25l	2	
11	386058	(000000-)	Shaft, Drive, Brush	2	
12	46390	(000000-)	Bearing, Ball, 0.79b 1.85d 0.55w	6	
13	10464	(000000-)	Ring, Retaining, Int, 1.85d, Basic	4	
14	1056846	(000000-)	Hub Wldt, Drive, Brush, Iron Gray	2	
15	1056847	(000000-)	Plug, Drive, Brush, Spl, Iron Gray	2	
16	15678	(000000-)	Screw, Hex, M06 X 1.0 X 16, Ss	10	
17	01684	(000000-)	Washer, Flt, .25 Ss	8	
18	00911	(000000-)	Key, Sq, 0.19 X 0.19, 00.75l	2	
19	386063	(000000-)	Washer, 0.25b 1.12d .12, Ss	2	
20	386274	(000000-)	Hook Wldt, Latch	2	
21	1057089	(000000-)	Spring, Motor, Iron Gray	2	
22	386072	(000000-)	Pin, Clevis, .625 Dia X 5.25l	2	
23	02942	(000000-)	Pin, Hair Cotter, 0.62 D .120 Wir	2	
24	386066	(000000-)	Cover, Drive	2	
25	48732	(000000-)	Screw, Pan, M06 X 1.0 X 10, Ss	10	
26	12317	(000000-)	Screw, Hex, M10 X 1.5 X 30, Ss	2	
27	386080	(000000-)	Cover, Idler	2	
28	386841	(000000-)	Cam, Front	2	
29	386842	(000000-)	Cam, Rear	2	
30	12317	(000000-)	Screw, Hex, M10 X 1.5 X 30, Ss	2	
31	81771	(000000-)	Plug, Drive, Brush, Splined	2	
32	1056838	(000000-)	Retainer, Brg, Iron Gray	2	
33	09738	(000000-)	Screw, Hex, M05 X 0.8 X 12, Ss	8	
34	06549	(000000-)	Nut, Hex, Lock, M05 X 0.8, NI	8	
35	26428	(000000-)	Ring, Retaining, Ext, 0.75d, Hd	2	
36	386257	(000000-)	Latch	2	
37	09198	(000000-)	Screw, Pan, M04 X 0.7 X 35, Ss	6	
38	33932	(000000-)	Nut, Hex, Lock, M04 X 0.7, NI, Ss	6	
39	08714	(000000-)	Nut, Hex, Lock, M10 X 1.5, NI, SS	2	
40	1001062	(000000-)	Gasket, Cover	2	

Fig. 34 - Max Pro 1200 (Cylindrical Brush) Solution Valve Group

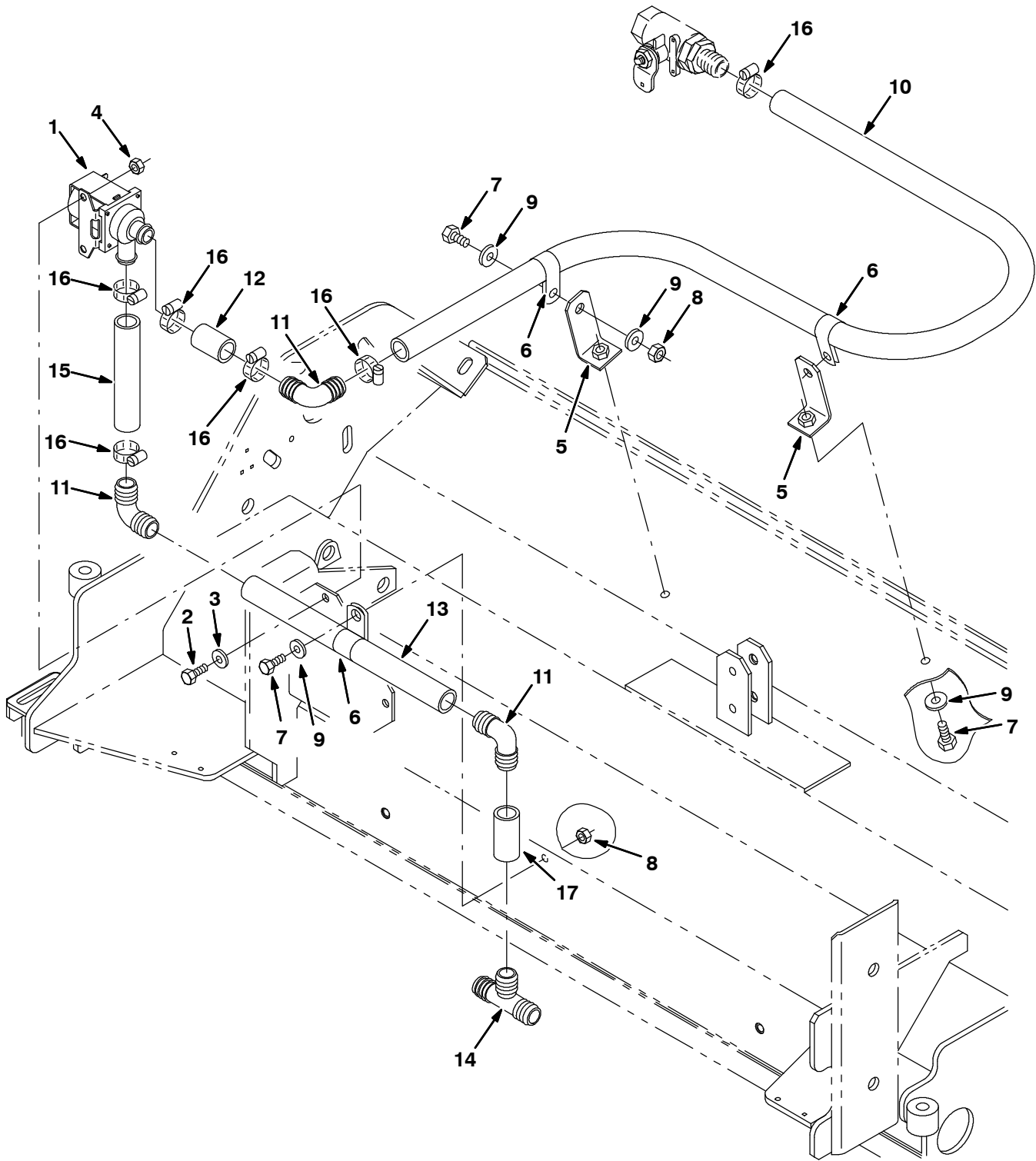


Fig. 34 - Max Pro 1200 (Cylindrical Brush) Solution Valve Group

Ref.	Tennant Part No.	Machine Serial Number	Description	Qty.
1	84028	(000000-) Valve, Water	1
2	15678	(000000-) Screw, Hex, M06 X 1.0 X 16, Ss	2
3	01684	(000000-) Washer, Flt, .25 Ss	2
4	08712	(000000-) Nut, Hex, Lock, M06 X 1.0, NI, Ss	2
5	1056873	(000000-) Angle, Iron Gray	2
6	69234	(000000-) Clamp, Cable, Stl, 1.00d X 0.62w, 1h	3
7	15675	(000000-) Screw, Hex, M08 X 1.25 X 16, Ss	7
8	08709	(000000-) Nut, Hex, Lock, M08 X 1.25,NI	5
9	01685	(000000-) Washer, Flt, .31 Ss	9
10	73474	(000000-) Hose, Pvc, Brd, 0.75id 1.00od 44.50l	1
11	40566	(000000-) Fitting, Plstc, E90, Bm12/Bm12	3
12	364899	(000000-) Hose, Pvc, Brd, 0.75id 1.03od 01.50l	1
13	364896	(000000-) Hose, Pvc, Brd, 0.75id 1.03od 11.00l	1
14	41315	(000000-) Fitting, Plstc, Tee, Bm12/Bm12/Bm12	1
15	364895	(000000-) Hose, Pvc, Brd, 0.75id 1.03od 05.00l	1
16	11399	(000000-) Clamp, Hose, Wormdrive, 0.81-1.50d	6
17	16914	(000000-) Hose, Pvc, Brd, 0.75id 1.00od 2.00l	1

OPTIONS

Fig. 35 - Max Pro 1200 (Cylindrical Brush) Solution Valve Group (FaST/ec-H2O)

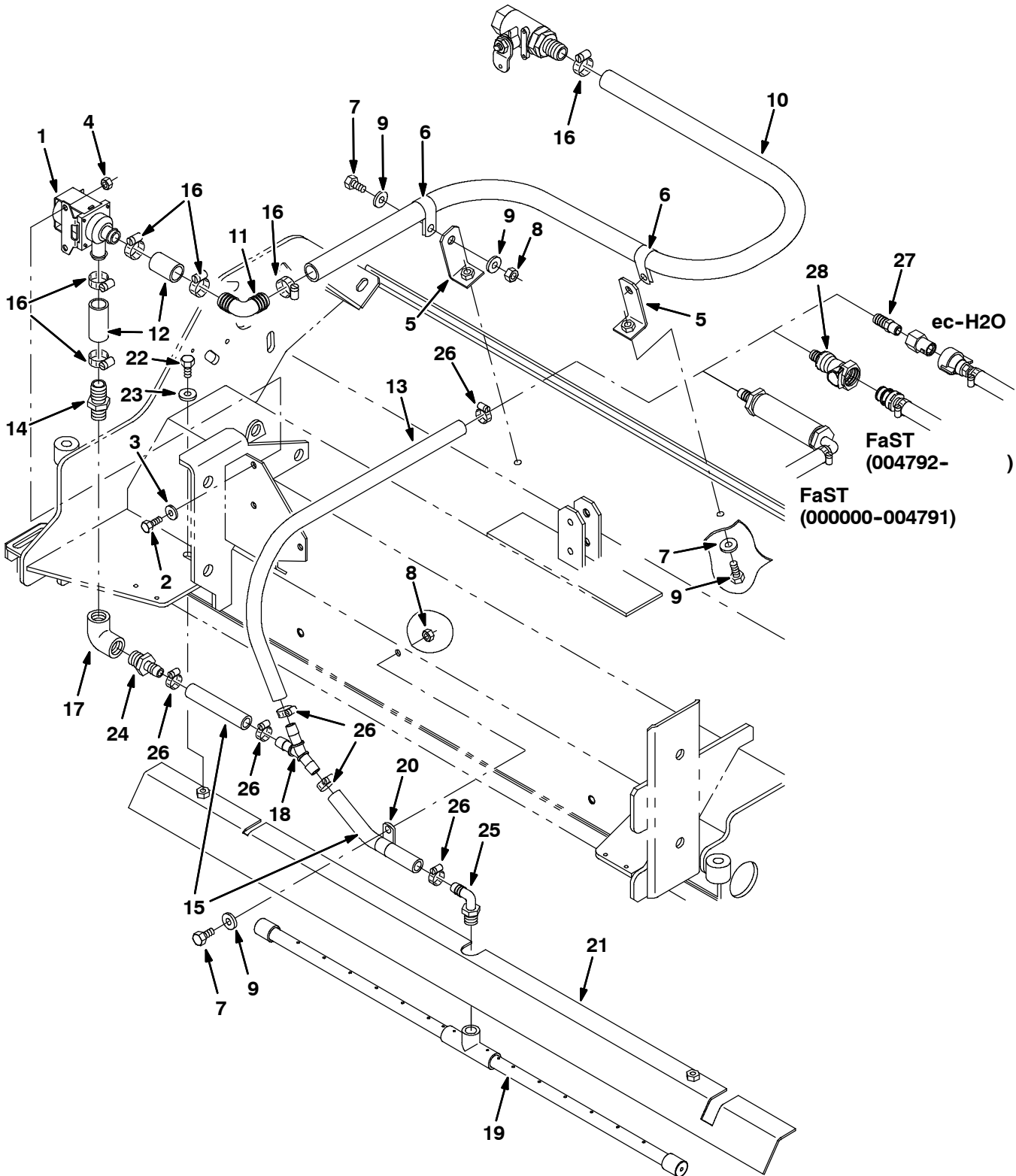


Fig. 35 - Max Pro 1200 (Cylindrical Brush) Solution Valve Group (FaST/ec-H2O)

Ref.	Tennant Part No.	Machine Serial Number	Description	Qty.
1	84028	(000000-) Valve, Water	1
2	15678	(000000-) Screw, Hex, M06 X 1.0 X 16, Ss	2
3	01684	(000000-) Washer, Flt, .25 Ss	2
4	08712	(000000-) Nut, Hex, Lock, M06 X 1.0, NI, Ss	2
5	1056873	(000000-) Angle, Iron Gray	2
6	69234	(000000-) Clamp, Cable, Stl, 1.00d X 0.62w, 1h	2
7	15675	(000000-) Screw, Hex, M08 X 1.25 X 16, Ss	5
8	08709	(000000-) Nut, Hex, Lock, M08 X 1.25,NI	3
9	01685	(000000-) Washer, Flt, .31 Ss	7
10	1015045	(000000-) Hose, Afmkt, Pvc, Brd 0.75id 8 Ft	1
11	40566	(000000-) Fitting, Plstc, E90, Bm12/Bm12	3
12	1015048	(000000-) Hose, Afmkt, Pvc, Brd 0.75id 1 Ft	1
13	1011521	(000000-) Hose, Afmkt Replmt, Pvc, Brd 0.50id 2 Ft	1
14	78398	(000000-) Fitting, Plstc, Str, Bm12/Pm08, Nyl	1
15	1011403	(000000-) Hose, Afmkt Replmt, Pvc, Brd 0.50id 1 Ft	1
16	11399	(000000-) Clamp, Hose, Wormdrive, 0.81-1.50d	6
17	79572	(000000-) Fitting, Plstc, E90, Pf08/Pf08	1
18	1010668	(000000-) Fitting, Plstc, Y, Bm08/Bm08/Bm08 Nyl	1
19	1010832	(000000-) Bar Assy, Spray [7300/8300]	1
20	07471	(000000-) Clamp, Cable, Stl, 0.75d X 0.75w, 1h	1
21	1057530	(000000-) Bracket, Bar, Spray, 48.0 [7300/8300]	1
22	49826	(000000-) Screw, Hex, M8 X 1.25 X 16, Ss, NI	2
23	32492	(000000-) Washer, Flat, 0.38 Std	2
24	79273-4	(000000-) Fitting, Plstc, Str, Bm08/Pm08	1
25	64778	(000000-) Fitting, Plstc, E90, Bm08/Pm06	1
26	54333	(000000-) Clamp, Hose, Wormdrive, 0.31-0.88d	6
27	48610	(000000-) Fitting, Plstc, Str, Bm08/Pm04 (ec-H2O)	1
28	1017413	(004792-) Housing, Cplg, Qf / Pm08 (FaST)	1

Fig. 36 - Max Pro 1200 (Cylindrical Brush) Edge Scrub Group

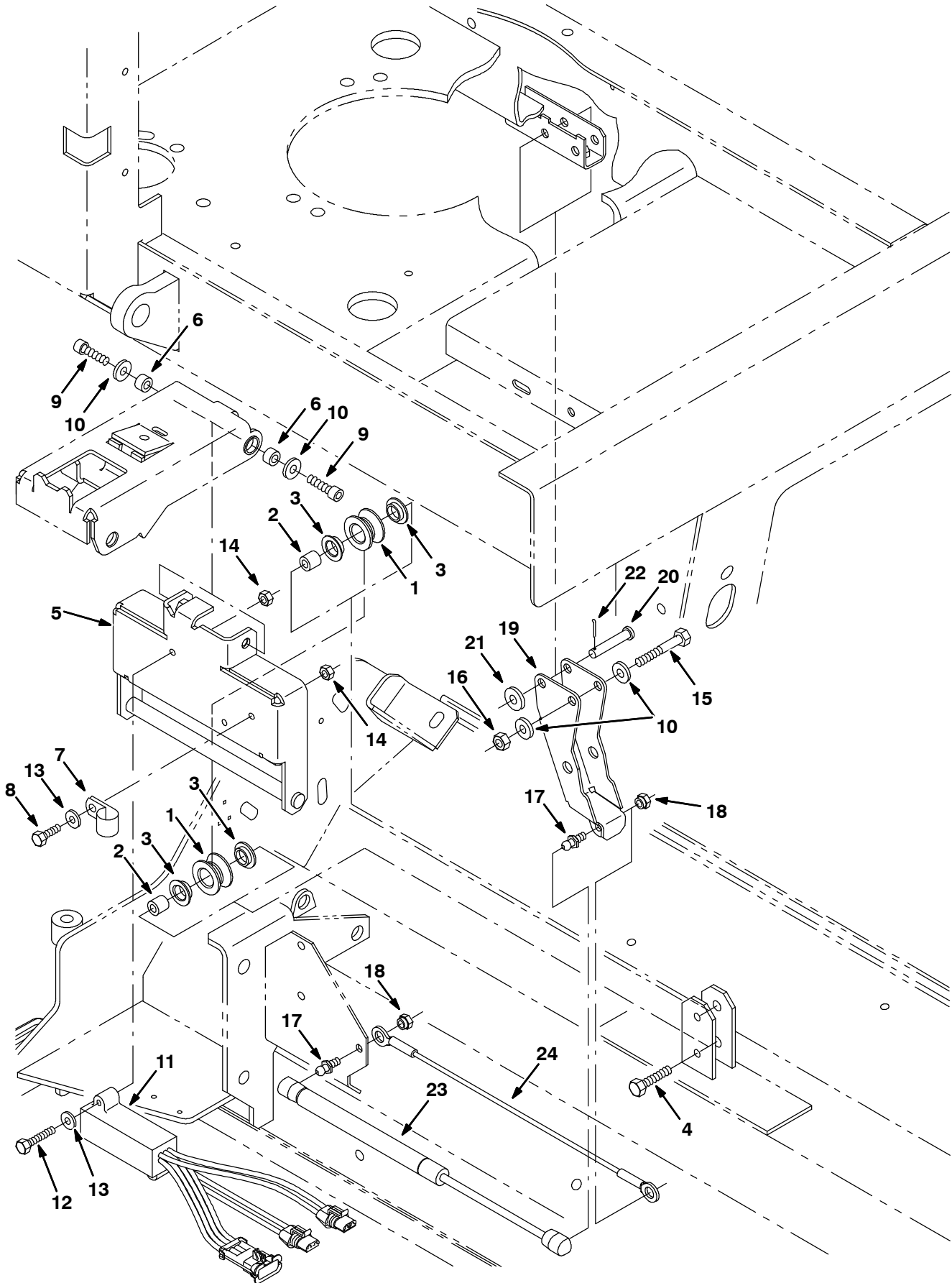


Fig. 36 - Max Pro 1200 (Cylindrical Brush) Edge Scrub Group

Ref.	Tennant Part No.	Machine Serial Number	Description	Qty.
1	363120	(000000-) Roller	2
2	222277	(000000-) Sleeve	2
3	04843	(000000-) Bushing, Flng, 0.63b 0.72d 0.25l	4
4	222505	(000000-) Screw, Hex, M08 X 1.25 X 45, Ss	2
5	1056843	(000000-) Rail Wldt, Lift, Cyl Head, Iron Gray	1
6	222556	(000000-) Sleeve	2
7	67767	(000000-) Clamp, Cable, Stl, 0.69d X 0.62w, 1h	1
8	08716	(000000-) Screw, Hex, M06 X 1.0 X 20, Ss	1
9	39308	(000000-) Screw, Soc, M08 X 1.25 X 25, 12.9	2
10	01685	(000000-) Washer, Flt, .31 Ss	4
11	363237	(000000-) Shunt, 2Hd Mtrs, Scrub 515, Red	1
12	33930	(000000-) Screw, Hex, M06 X 1.0 X 40, Ss	2
13	01684	(000000-) Washer, Flt, .25 Ss	3
14	08712	(000000-) Nut, Hex, Lock, M06 X 1.0, NI, Ss	3
15	77270	(000000-) Screw, Hex, M08 X 1.25 X 60, Ss	1
16	08713	(000000-) Nut, Hex, Lock, M08 X 1.25,NI, Ss	1
17	58494	(000000-) Stud, Ball, .39d .31-16, Gasspring	2
18	14725	(000000-) Nut, Retainer, .31-18	2
19	1056845	(000000-) Arm Wldt, Pivot, Side, Gray [7300/8300]	1
20	29584	(000000-) Pin, Clevis, 0.37 D X 2.00l	1
21	01686	(000000-) Washer, Flt, .38 Ss	1
22	39005	(000000-) Pin, Cotter, .094 X 0.75	1
23	364858	(000000-) Gasspring, 56lb, 6.3strk	1
24	364404	(000000-) Cable, .13d, 15.5l, .50eye /.50eye	1

Fig. 37 - Max Pro 1200 (Cylindrical Brush) Right Side Squeegee Group

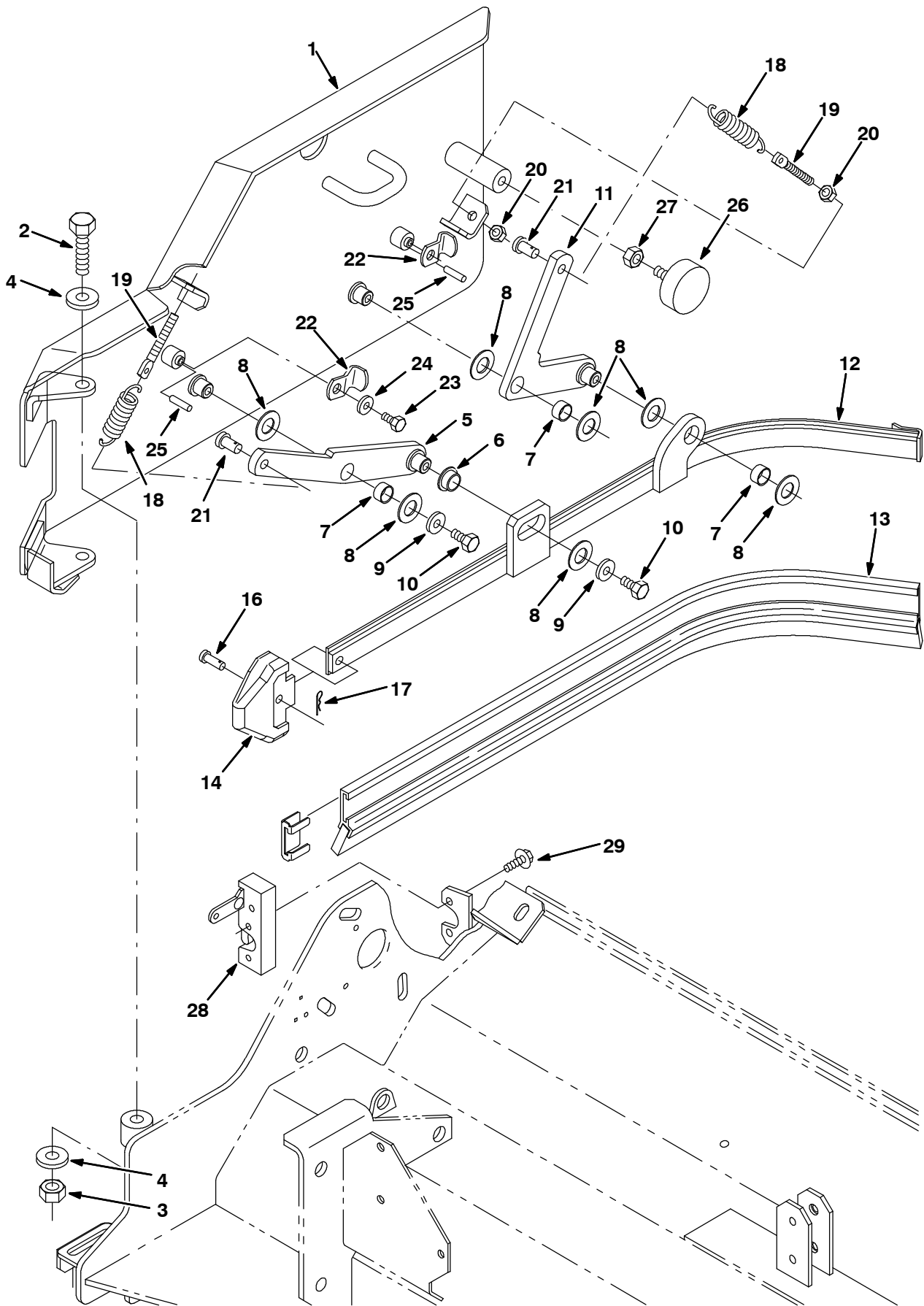


Fig. 37 - Max Pro 1200 (Cylindrical Brush) Right Side Squeegee Group

Ref.	Tennant Part No.	Machine Serial Number	Description	Qty.
1	387271	(000000-006999)	Guard Wldt, Rh, [Mp1200]	1
1	1056800	(007000-	Guard Wldt, Rh, Iron Gray	1
2	09774	(000000-	Screw, Hex, M12 X 1.75 X 50, Ss	2
3	09741	(000000-	Nut, Hex, Lock, M12 X 1.75,Nl, Ss	2
4	33925	(000000-	Washer, Flat, M12, 13x24x2.5ss	4
5	386269	(000000-006999)	Arm Wldt, Front, Rh	1
5	1056491	(007000-	Arm Wldt, Front, Rh, Iron Gray	1
6	25735	(000000-	Bushing, Flng, 0.63b 0.75d 0.38l	1
7	71607	(000000-	Bushing, Sleeve, 0.63b 0.72d 0.38l	3
8	64425	(000000-	Washer, Thrust, 0.61b 1.25d .06, Fgl	7
9	01686	(000000-	Washer, Flt, .38 Ss	4
10	386868	(000000-	Screw, Hex, M08x1.25 X12,Ss	4
11	386268	(000000-006999)	Arm Wldt, Rear, Rh	1
11	1056490	(007000-	Arm Wldt, Rear, Rh, Iron Gray	1
12	386263	(000000-	Frame Wldt, Sqge, Side, Rh	1
13	386260	(000000-	Squeegee, Side	1
14	386986	(000000-	Guide, Point, Side Sqge	1
15	86759	(000000-	Retainer, Sqge	1
16	386987	(000000-	Pin, Clevis, 0.31d 0.88l	1
17	08085	(000000-	Pin, Hair Cotter, 0.31 D .058 Wir	1
18	87816	(000000-	Spring, Extn, 0.75od X 0.09wir, 2.5l	2
19	386088	(000000-	Bolt, Eye, M8 X 1.25, 2.75l	2
20	07786	(000000-	Nut, Hex, Std, M08 X 1.25, Ss	4
21	41305	(000000-	Pin, Clevis, 0.37 D X 0.75l	2
22	1056875	(000000-	Arm, Latch	2
23	09744	(000000-	Screw, Hex, M06 X 1.0 X 12, Ss	2
24	01684	(000000-	Washer, Flt, .25 Ss	2
25	17404	(000000-	Pin, Roll, .250 D X 0.75l, .250/.256	2
26	70756	(000000-	Bumper, Rbr, 2.0d 0.75t .38-16	1
27	01692	(000000-	Nut, Hex, Std, .38-16, Ss	1
28	72439	(000000-	Latch	1
29	16949	(000000-	Screw, Hex, .25-20 X 0.75, Sems	4

Fig. 38 - Max Pro 1200 (Cylindrical Brush) Left Side Squeegee Group

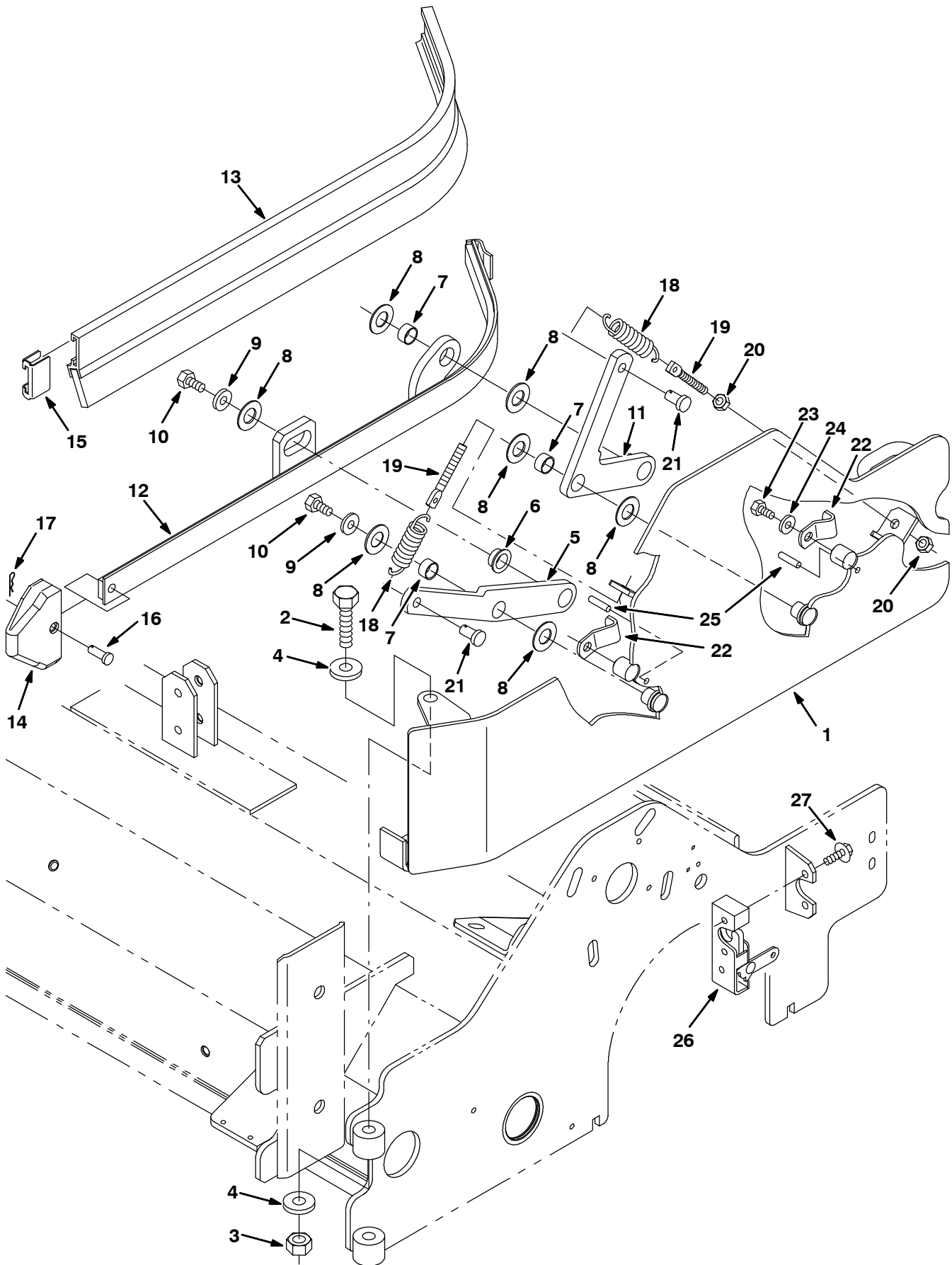


Fig. 38 - Max Pro 1200 (Cylindrical Brush) Left Side Squeegee Group

Ref.	Tennant Part No.	Machine Serial Number	Description	Qty.
1	386496	(000000-006999)	Guard Wldt, Lh	1
1	1056495	(007000-	Guard Wldt, Lh, Iron Gray	1
2	09774	(000000-	Screw, Hex, M12 X 1.75 X 50, Ss	2
3	09741	(000000-	Nut, Hex, Lock, M12 X 1.75,NI, Ss	2
4	33925	(000000-	Washer, Flat, M12, 13x24x2.5ss	4
5	386276	(000000-006999)	Arm Wldt, Front, Lh	1
5	1056492	(007000-	Arm Wldt, Rear, Lh, Iron Gray	1
6	25735	(000000-	Bushing, Flng, 0.63b 0.75d 0.38l	1
7	71607	(000000-	Bushing, Sleeve, 0.63b 0.72d 0.38l	3
8	64425	(000000-	Washer, Thrust, 0.61b 1.25d .06, Fgl	7
9	01686	(000000-	Washer, Flt, .38 Ss	4
10	386868	(000000-	Screw, Hex, M08x1.25 X12,Ss	4
11	386275	(000000-006999)	Arm Wldt, Rear, Lh	1
11	1056492	(007000-	Arm Wldt, Rear, Lh, Iron Gray	1
12	386262	(000000-	Frame Wldt, Sqge, Side, Lh	1
13	386260	(000000-	Squeegee, Side	1
14	386986	(000000-	Guide, Point, Side Sqge	1
15	86759	(000000-	Clip, Sqge	1
16	386987	(000000-	Pin, Clevis, 0.31d 0.88l	1
17	08085	(000000-	Pin, Hair Cotter, 0.31 D .058 Wir	1
18	87816	(000000-	Spring, Extn, 0.75od X 0.09wir, 2.5l	2
19	386088	(000000-	Bolt, Eye, M8 X 1.25, 2.75l	2
20	07786	(000000-	Nut, Hex, Std, M08 X 1.25, Ss	4
21	41305	(000000-	Pin, Clevis, 0.37 D X 0.75l	2
22	1056875	(000000-	Arm, Latch, Iron Gray	2
23	09744	(000000-	Screw, Hex, M06 X 1.0 X 12, Ss	2
24	01684	(000000-	Washer, Flt, .25 Ss	2
25	17404	(000000-	Pin, Roll, .250 D X 0.75l, .250/.256	2
26	59661	(000000-	Latch	1
27	16949	(000000-	Screw, Hex, .25-20 X 0.75, Sems	4

Fig. 39 - Max Pro 1200 (Cylindrical Brush) Debris Tray Group

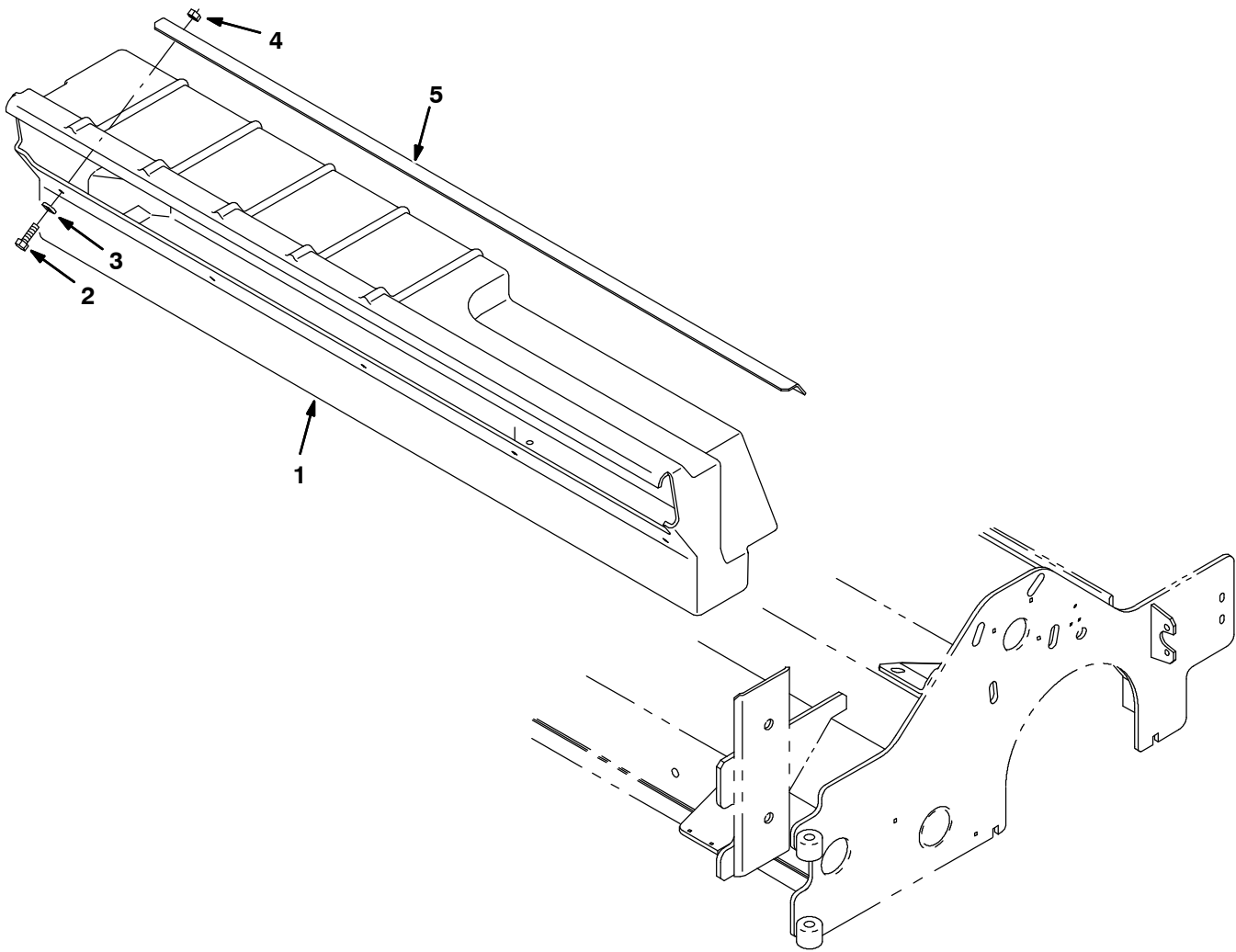


Fig. 39 - Max Pro 1200 (Cylindrical Brush) Debris Tray Group

Ref.	Tennant Part No.	Machine Serial Number	Description	Qty.
1	387672	(000000-) Tray, Debris, 48L, W/Holes	1
2	08716	(000000-) Screw, Hex, M6X1.0X20, Ss	5
3	01684	(000000-) Washer, Flat, 0.25 Ss	5
4	08712	(000000-) Nut, Hex, Lock, M6X1.0, Ss, NI	5
5	1057527	(000000-) Angle, Iron Gray	1

Fig. 40 - Max Pro 1200 (Cylindrical Brush) Vacuumized Debris Tray Group

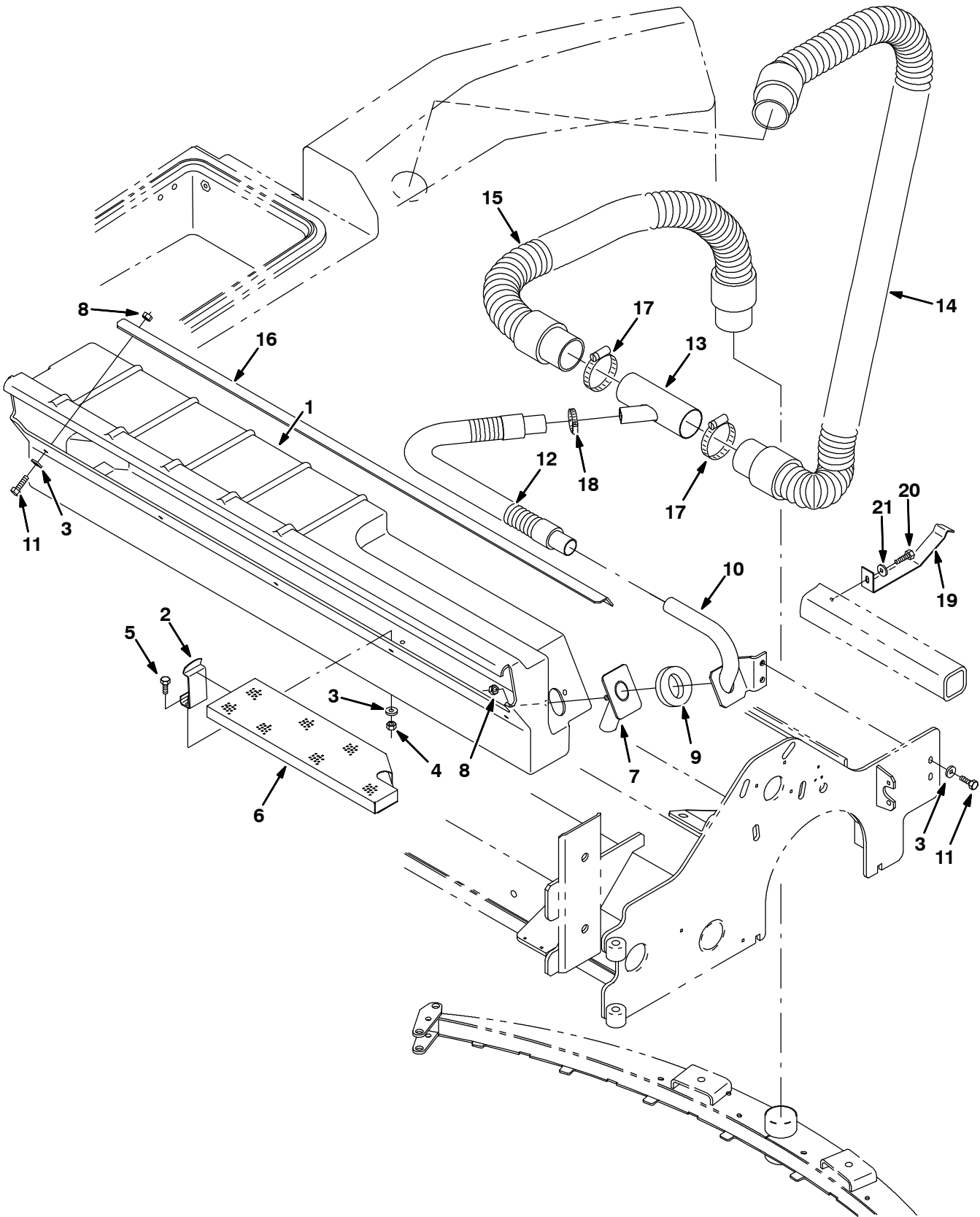


Fig. 40 - Max Pro 1200 (Cylindrical Brush) Vacuumized Debris Tray Group

Ref.	Tennant Part No.	Machine Serial Number	Description	Qty.
1	386513	(000000-) Tray, Debris, 48.0l	1
2	87244	(000000-) Clip, Spring, Prop Arm	1
3	01684	(000000-) Washer, Flt, .25 Ss	14
4	08712	(000000-) Nut, Hex, Lock, M06 X 1.0, NI, Ss	2
5	09744	(000000-) Screw, Hex, M06 X 1.0 X 12, Ss	2
6	386500	(000000-) Screen Wldt	1
7	1057520	(000000-) Tube Wldt, Vacuum, Scrbr Head, Iron Gray	1
8	08712	(000000-) Nut, Hex, Lock, M06 X 1.0, NI, Ss	7
9	386504	(000000-) Gasket, Foam	1
10	1057521	(000000-) Tube Wldt, Upper, Iron Gray	1
11	08716	(000000-) Screw, Hex, M06 X 1.0 X 20, Ss	7
12	222788	(000000-003545) Hose Assy, W/2cuff, 1.0d, 23l	1
12	387517	(003546-) Hose Assy, W/2cuff, 1.0d, 41l	1
13	386518	(000000-) Tube Wldt	1
14	386514	(000000-003545) Hose, Vacuum, 58.5l	1
14	1005133	(003546-) Hose Assy, W/2cuff, 2.0d 75l	1
15	387256	(000000-003545) Hose, Vacuum, 35.0l	1
15	1005135	(003546-) Hose Assy, W/2cuff, 2.0d 26l	1
16	1057527	(000000-) Angle, Iron Gray	1
17	14432	(000000-) Clamp, Hose, Wormdrive, 1.81-2.75d	2
18	11399	(000000-) Clamp, Hose, Wormdrive, 0.81-1.50d	1
19	1002464	(003546-) Bracket, Tube , Tee	1
20	361339	(003546-) Screw, Hex, M 6 X 1.0 X 16, Fmg	1
21	32483	(003546-) Washer, Flat, 0.25 Sae	1

Fig. 41 - ES Pump Group

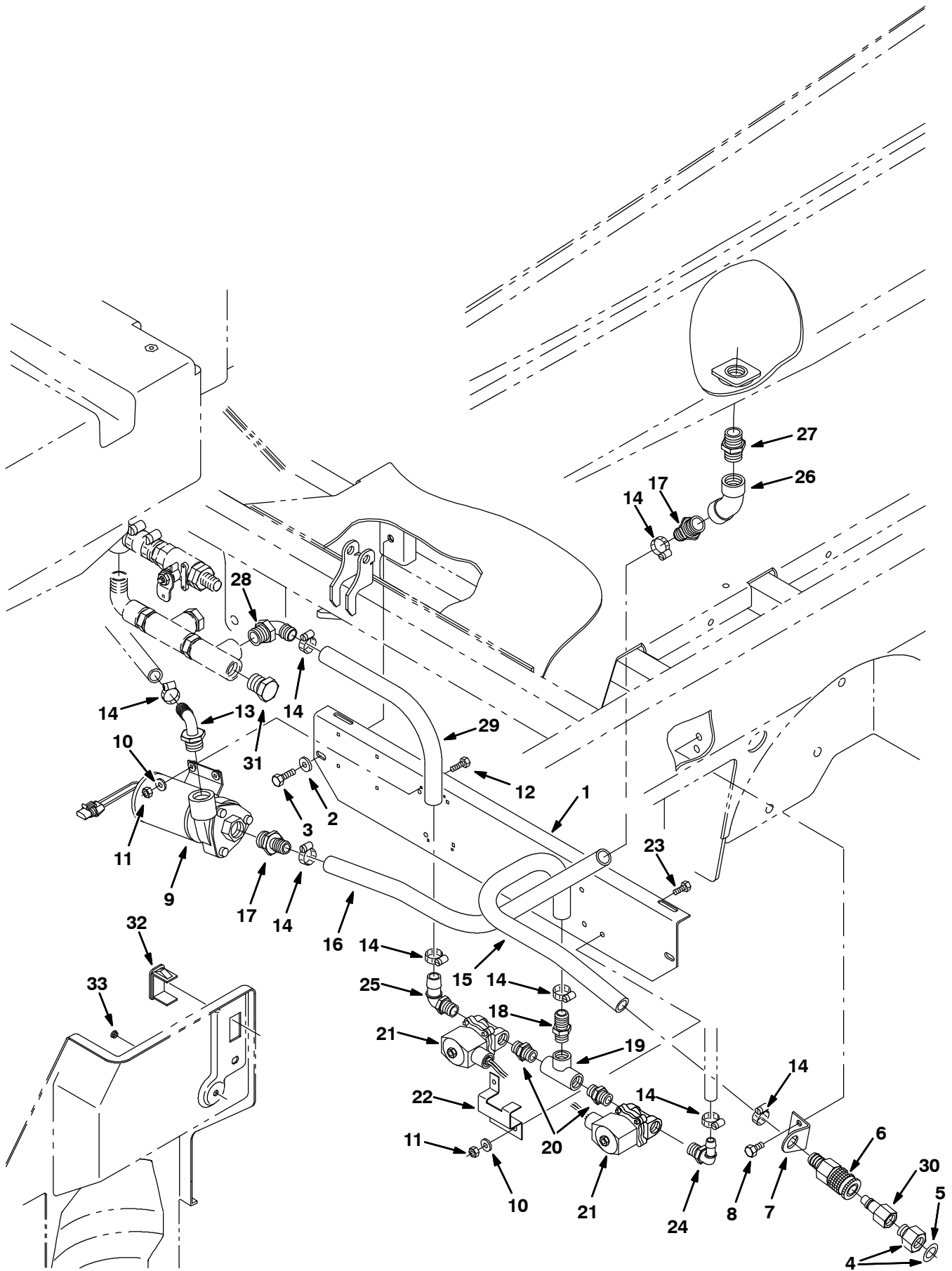


Fig. 41 - ES Pump Group

NOTE: ES™ Kit, TENNANT Part Number 386557, includes Fig. 41, Fig. 42, and Fig. 43.

Ref.	Tennant Part No.	Machine Serial Number	Description	Qty.
1	1056864	(000000-) Angle, Mtg, Es, Iron Gray	1
2	01685	(000000-) Washer, Flt, .31 Ss	2
3	09010	(000000-) Screw, Hex, M08 X 1.25 X 25, Ss	2
▽ 4	375322	(000000-) Kit, Ftg, Garden Hose	1
▲ 5	01316	(000000-) Washer, Rbr, .12 0.66B 1.00D	1
6	24105	(000000-) Fitting, Brs, Qdc, Bm12/Qf08	1
7	1056866	(000000-) Bracket, Mtg, Es, Iron Gray	1
8	15675	(000000-) Screw, Hex, M08 X 1.25 X 16, Ss	2
9	369865	(000000-) Pump, Solution, Impeller, 36vdc	1
10	01684	(000000-) Washer, Flt, .25 Ss	7
11	08712	(000000-) Nut, Hex, Lock, M06 X 1.0, NI, Ss	7
12	09007	(000000-) Screw, Hex, M06 X 1.0 X 25, Ss	4
13	73468	(000000-) Fitting, Plstc, E90, Bm10/Pm12	1
14	63810	(000000-) Clamp, Hose, Wormdrive, 0.56-1.06d	8
15	73475	(000000-) Hose, Pvc, Brd, 0.75id 1.00od 19.00l	1
16	385666	(000000-) Hose, Pvc, Brd, 0.75id 1.00od 26.00l	1
17	79273-2	(000000-) Fitting, Plstc, Str, Bm12/Pm12	2
18	78398	(000000-) Fitting, Plstc, Str, Bm12/Pm08	1
19	79497	(000000-) Fitting, Plstc, Tee, Pf08/Pf08/Pf08	1
20	86508	(000000-) Fitting, Plstc, Str, Pm08/Pm08	2
21	41410	(000000-) Valve, Solenoid, 36vdc	2
22	1056839	(000000-) Bracket, Sppt, Auto Fill, Iron Gray	1
23	15678	(000000-) Screw, Hex, M06 X 1.0 X 16, Ss	3
24	63244-1	(000000-) Fitting, Plstc, E90, Bm08/Pm08	1
25	63244-2	(000000-) Fitting, Plstc, E90, Bm12/Pm08	1
26	10575	(000000-) Fitting, Plstc, E45, Pf12/Pf12	1
27	24544	(000000-) Fitting, Plstc, Str, Pm12/Pm12	1
28	14877	(000000-) Fitting, Plstc, E90, Bm12/Pm12	1
29	387340	(000000-) Hose, Water, Vyl, Brd, .75ld 14.0L	1
30	33295	(000000-) Fitting, Qm, Male	1
31	75611	(000000-) Fitting, Plstc, Plug, Pm12	1
32	398501	(000000-) Plug, Hole, Rt, Rocker Switch, .87 X 1.7	1
33	33807	(000000-) Plug, Hole, Rnd, 0.44h .03-.12, Blk Nyl	1

Fig. 42 - ES Tank Goup

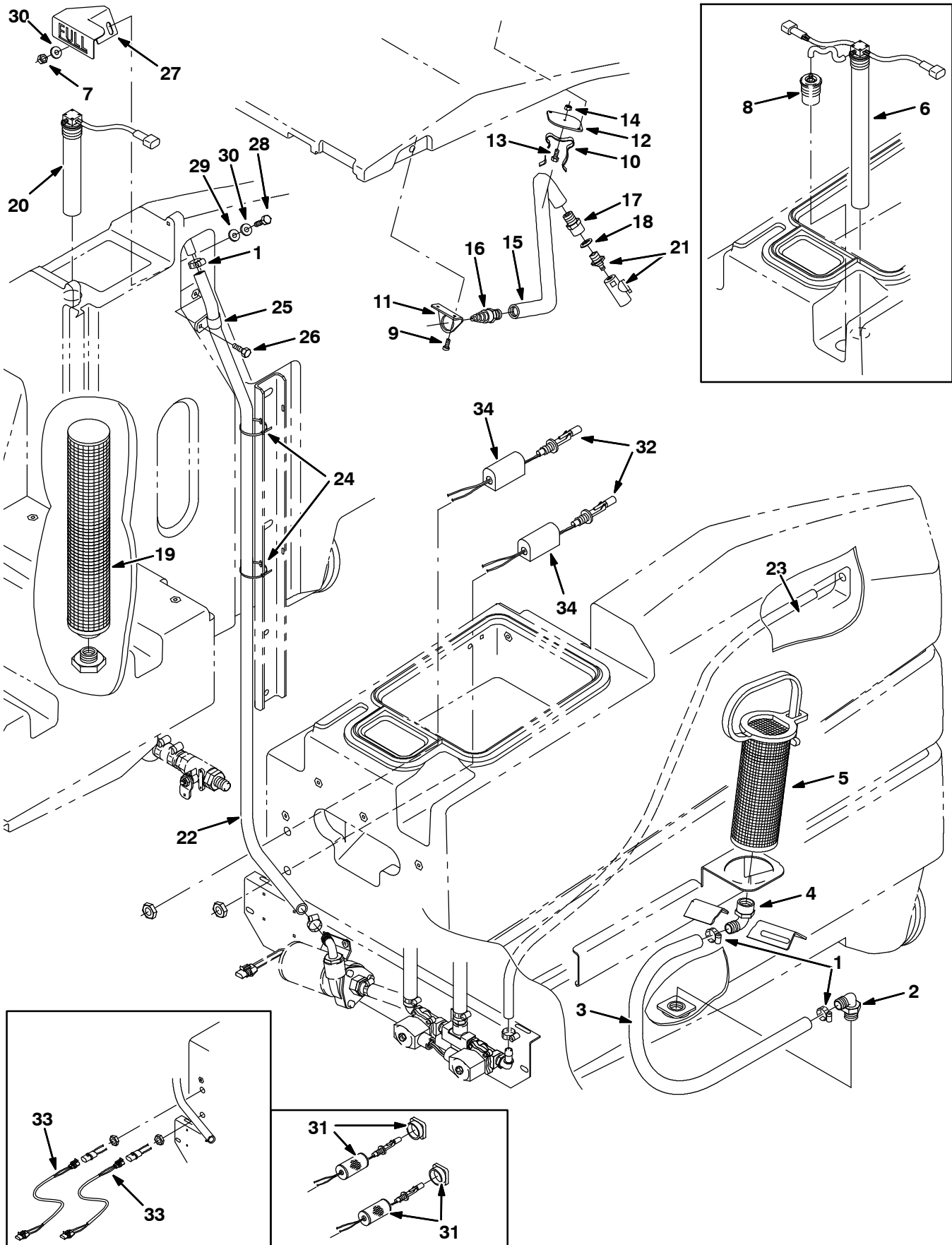


Fig. 42 - ES Tank Group

NOTE: ES™ Kit, TENNANT Part Number 386557, includes Fig. 41, Fig. 42, and Fig. 43.

Ref.	Tennant Part No.	Machine Serial Number	Description	Qty.
1	63810	(000000-) Clamp, Hose, Wormdrive, 0.56-1.06d, .56w	3
2	14877	(000000-) Fitting, Plstc, E90, Bm12/Pm12	2
3	387266	(000000-) Hose, Vyl, Brd, .75id 28.0l	1
4	24543	(000000-) Fitting, Plstc, E90, Bm12/Pf12	1
5	386652	(000000-) Strainer, Pump, Es	1
6	375427	(000000-003426) Switch Assy, Dual Press, 14" Tube	1
7	08713	(000000-) Nut, Hex, Lock, M08 X 1.25,NI, Ss	1
8	13292	(000000-003426) Hose, Vacuum, 0.16id X 05.0l	1
9	360943	(000000-) Screw, Pan, #10-14 X 0.75, F/ Plstc	4
10	67004	(000000-) Clip, Finger Grip	1
11	1056923	(000000-) Angle, Wand, Clean-Out, Iron Gray	1
12	1056924	(000000-) Plate, Wand, Clean-Out, Iron Gray	1
13	09206	(000000-) Screw, Hex, M04 X 0.7 X 12, 8.8	1
14	02850	(000000-) Nut, Hex, Lock, M04 X 0.7, NI	1
15	387109	(000000-) Wand, Clean-Out	1
16	387159	(000000-) Nozzle, Water	1
17	387160	(000000-) Fitting, Plstc, Str, 08pmtxgarden	1
18	387161	(000000-) Washer, Rbr, .68idx1.0od	1
19	387045	(000000-) Strainer, Tank, Solution	1
20	375426	(000000-) Switch Assy, Press, 3 Inch, 8" Tube	1
21	382991	(000000-) Valve, Flow Control, Hose Adapter	1
22	387236	(000000-) Hose, Vyl, Brd, .62id 55.0l	1
23	375308	(000000-) Hose, Pvc, Clr, 0.50id 0.69od 50.00l	1
24	49266	(000000-) Tie, Cable, Nyl, 07.3l .19w 1.8 Max D	2
25	69234	(000000-) Clamp, Cable, Stl, 1.00d X 0.62w, 1h	1
26	49826	(000000-) Screw, Hex, M08 X 1.25 X 16, Ss, NI	1
27	387061	(000000-) Bracket, Full	1
28	09011	(000000-) Screw, Hex, M08 X 1.25 X 30, Ss	1
29	63416	(000000-) Washer, 0.31b 0.88d .12, Rbr	1
30	01685	(000000-) Washer, Flt, .31 Ss	2
31	375302	(003427-004029) Strainer, Soltn, Switch Guard (Repl By 1019285)	2
32	222822	(003427-003859) Sensor, Level, Liquid [Magnetic]	2
32	385685	(003860-) Sensor, Level, Liquid [Magnetic]	2
33	369766	(003427-003859) Harness, Sensor, Jumper	2
34	1019285	(004030-) Bracket, Protector, Float Switch	2

Fig. 43 - ES Drain Assembly

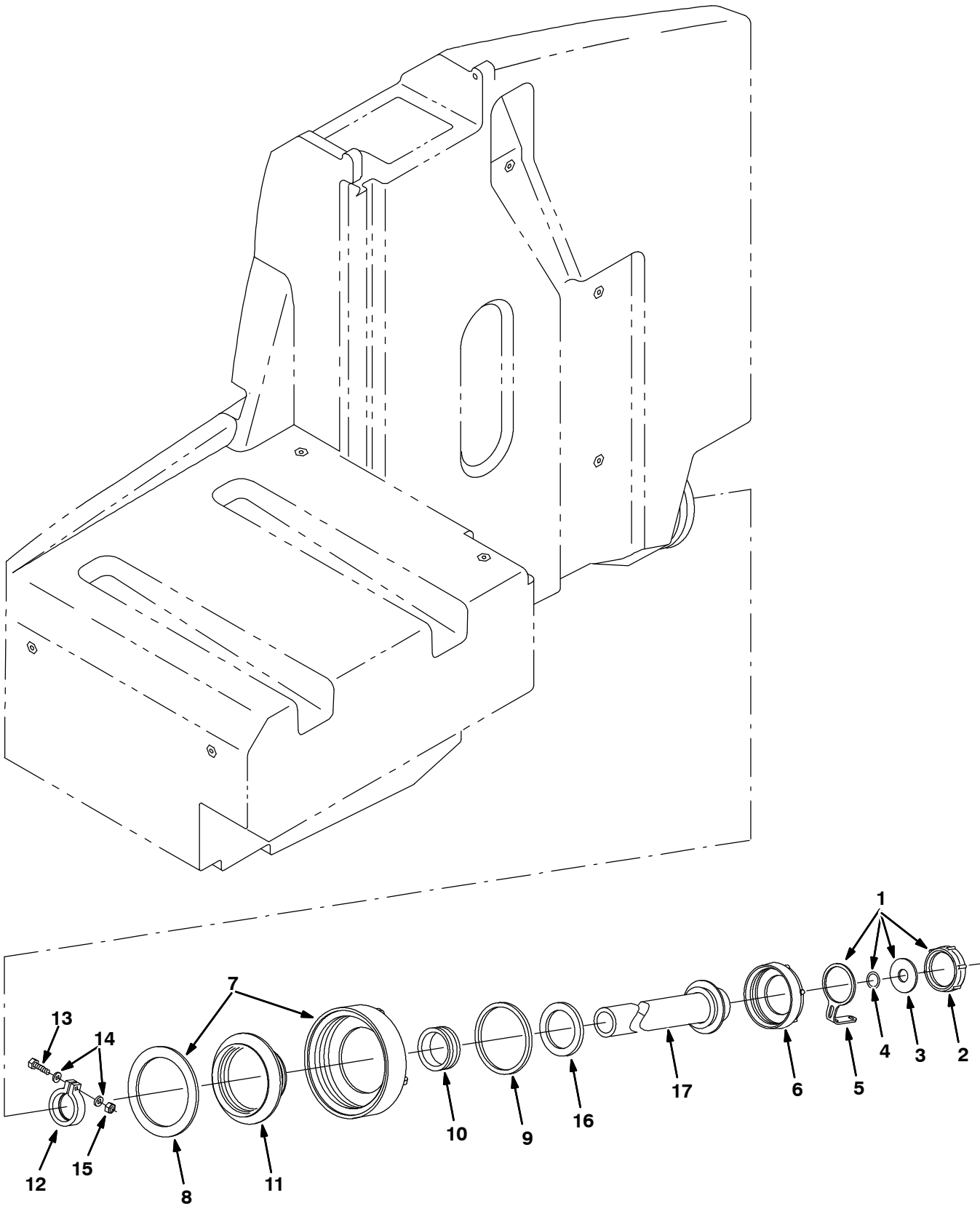


Fig. 43 - ES Drain Assembly

NOTE: ES™ Kit, TENNANT Part Number 386557, includes Fig. 41, Fig. 42, and Fig. 43.

	Ref.	Tennant Part No.	Machine Serial Number	Description	Qty.
▽		387467	(000000-) Kit, Drain Hose, Solution Side	1
▲▽	1	32501	(000000-) Kit, Cap, Drain	1
▲▲	2	32613	(000000-) Cap, Tank, Drain, 2.25 Thread Pye	1
▲▲	3	32614	(000000-) Gasket, Cap	1
▲▲	4	32669	(000000-) Ring, Retaining, Ext, 0.75d, Ss	1
▲▲	5	32508	(000000-) Strap	1
▲	6	14880	(000000-) Cap, Tank, Drain, 3.85 Thread Pye	1
▲▽	7	24358	(000000-) Cap, Tank	1
▲▲	8	1031699	(000000-) Gasket, .19, 4.05id 5.29od [Buna]	1
▲	9	79320	(000000-) Gasket, Cap, Drain	1
▲	10	41421	(000000-) Seal	1
▲	11	14864	(000000-) Cover, Insert	1
▲	12	41454	(000000-) Clamp, Hose, Plstc, 1.60d X 0.62w	1
▲	13	12316	(000000-) Screw, Hex, M05 X 0.8 X 25, Ss	1
▲	14	01683	(000000-) Washer, Flt, #10 Ss	1
▲	15	09739	(000000-) Nut, Hex, Lock, M05 X 0.8, NI, Ss	1
▲	16	41451	(000000-) Gasket, Lid	1
▲	17	386423	(000000-) Hose Assy, Drain	1

Fig. 44 - ec-H2O Solution Pump Group

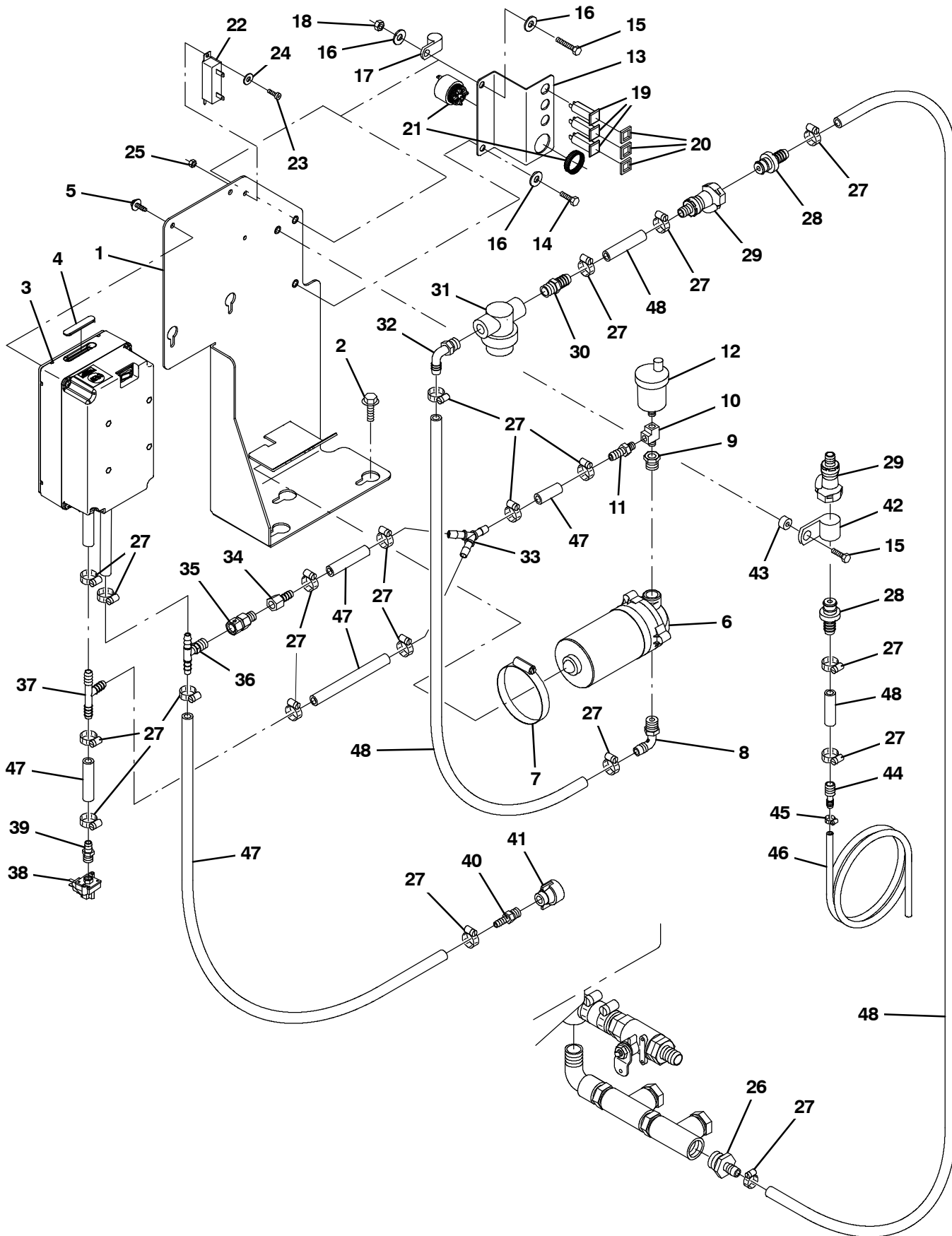


Fig. 44 - ec-H2O Solution Pump Group

Ref.	Tennant Part No.	Machine Serial Number	Description	Qty.
1	1055336	(000000-) Bracket Wldt, Module	1
2	1037346	(000000-) Screw, Hex, M8 X 1.25 X 25, 9.8, Sems	3
3	9006270	(000000-) Module Kit, Replmt [ec-H2O] (See Breakdowns)	1
4	1054776	(000000-) Grommet, Blind	1
5	1040467	(000000-) Screw, Hex, M6 X 1.00 X 20, 9.8, Sems	4
6	1005866	(000000-) Pump, Soltn, Ele, 36vdc (See Breakdowns)	1
7	17188	(000000-) Clamp, Hose, Wormdrive, 2.50-3.50d, .50w	1
8	64778	(000000-) Fitting, Plstc, E90, Bm08/Pm06	1
9	24698	(000000-) Fitting, Brs, Str, Pf02/Pm06	1
10	26426	(000000-) Fitting, Brs, Tee, Pf02/Pf02/Pm02, Run	1
11	1005375	(000000-) Fitting, Plstc, Str, Bm06/Pm02, Nyl	1
12	1017386	(000000-) Valve, Vent, Air, Float Type	1
13	1052683	(000000-) Bracket, Component	1
14	16735	(000000-) Screw, Hex, M8 X 1.25 X 16, 8.8	1
15	76570	(000000-) Screw, Hex, M8 X 1.25 X 30, 8.8	2
16	32490	(000000-) Washer, Flat, 0.25, Std	3
17	82829	(000000-) Clamp, Cable, Stl, 0.63d X 0.75w, 1hole	1
18	08709	(000000-) Nut, Hex, Lock, M8 X 1.25, NI	1
19	1053078	(000000-) Circuitbreaker, 2.0a, Resetable	3
20	1046173	(000000-) Boot, Circuitbreaker	3
21	1052726	(000000-) Alarm, 9-48vdc, 95 Db(A) [Ec-H2O]	1
22	1056416	(000000-) Resistor, 011.00 Ohm, 0040Watt [5%]	1
23	12312	(000000-) Screw, Hex, M5 X 0.80 X 12, 8.8	2
24	01683	(000000-) Washer, Flat, 10, Ss	2
25	07789	(000000-) Nut, Hex, Flng, M5 X 0.80	2
26	79273-1	(000000-) Fitting, Plstc, Str, Bm08/Pm12	1
27	54333	(000000-) Clamp, Hose, Wormdrive, 0.31-0.88d, .31w	19
28	1017415	(000000-) Insert, Cplg, Qm, Bm08	2
29	1017413	(000000-) Housing, Cplg, Qf / Pm08	2
30	64743	(000000-) Fitting, Plstc, Str, Bm08/Pm06	1
31	1005302	(000000-) Filter, In-Line, Pf06/Pf06 080mesh 02.6l	1
32	64778	(000000-) Fitting, Plstc, E90, Bm08/Pm06	1
33	1017255	(000000-) Fitting, Plstc, Y, Bm06/Bm06/Bm06, Nyl	1
34	150511	(000000-) Fitting, Brs, Str, Bm06/Pf04	1
35	1055255	(000000-) Valve, Check, 0030psi Pm04/Pf04	1
36	1052832	(000000-) Fitting, Plstc, Tee, Bm05/Bm05/Pm04	1
37	87173	(000000-) Fitting, Plstc, Tee, Bm06/Bm06/Bm06	1
38	1055254	(000000-) Switch, Press, 25 Psi, Pm02	1
39	150016	(000000-) Fitting, Brs, Str, Bm06/Pf02, Spcl	1
40	1052017	(000000-) Fitting, Plstc, Str, Bm05/Pm04	1
41	1043866	(000000-) Fitting Assy, Qdc, Pf04	1
42	40678-1	(000000-) Clamp, Cable, Stl, 0.88d X 0.62w, 1hole	1
43	360352	(000000-) Tube, 0.34id 0.62od 00.2l, Stl	1
44	630164	(000000-) Fitting, Plstc, Str, Bm04/Bm08	1
45	43844	(000000-) Clamp, Hose, Wormdrive, 0.25-0.62d, .31w	1
46	1011411	(000000-) Hose, Afmkt, Pvc, Brd, 0.25id, 03ft	1
47	1052336	(000000-) Hose, Afmkt, Pvc, Brd, 0.31Id, 03Ft, Clr	1
48	1011412	(000000-) Hose, Afmkt, Pvc, Brd, 0.50id, 08ft, Clr	1

Fig. 45 - ec-H20 Switch and Label Group

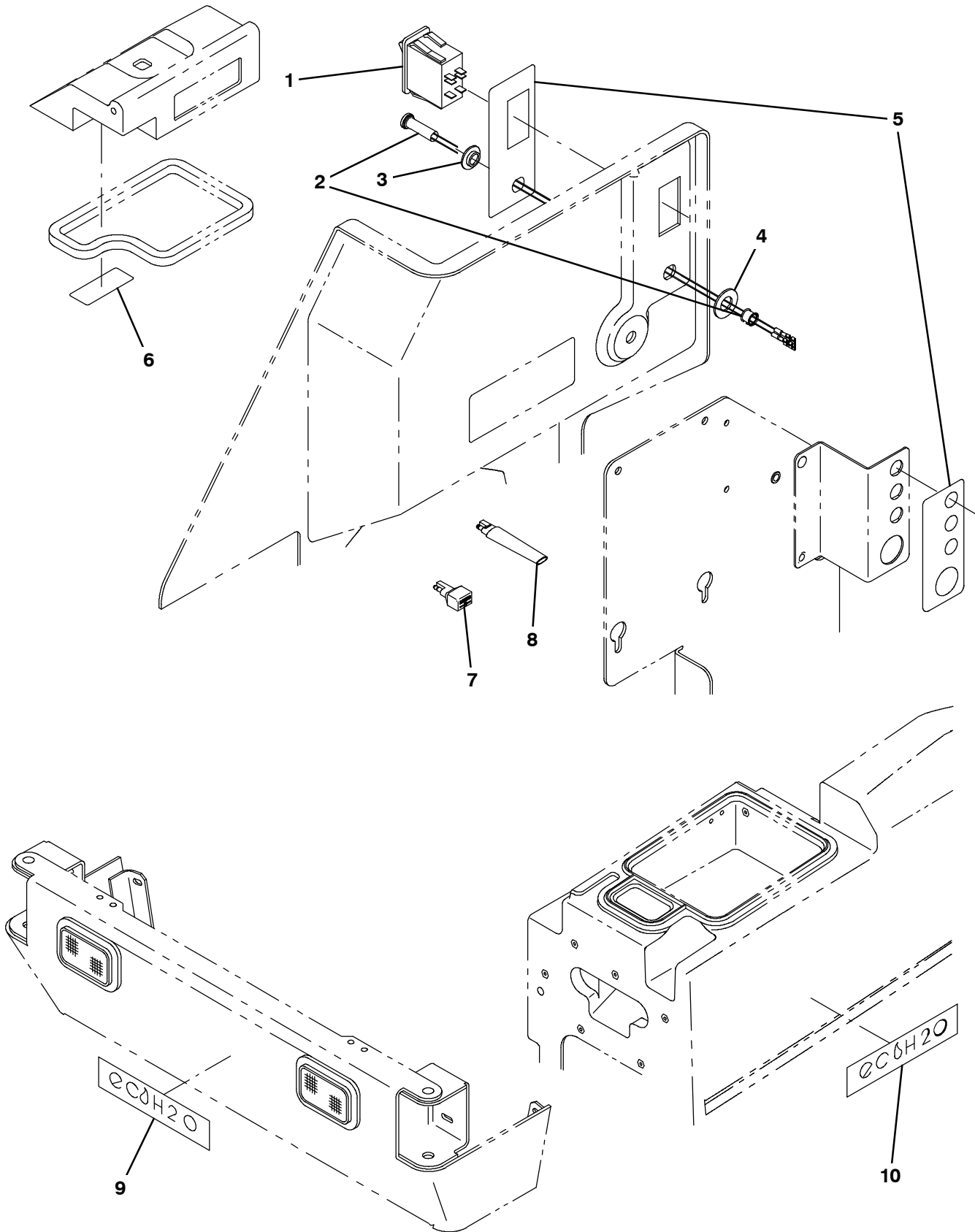
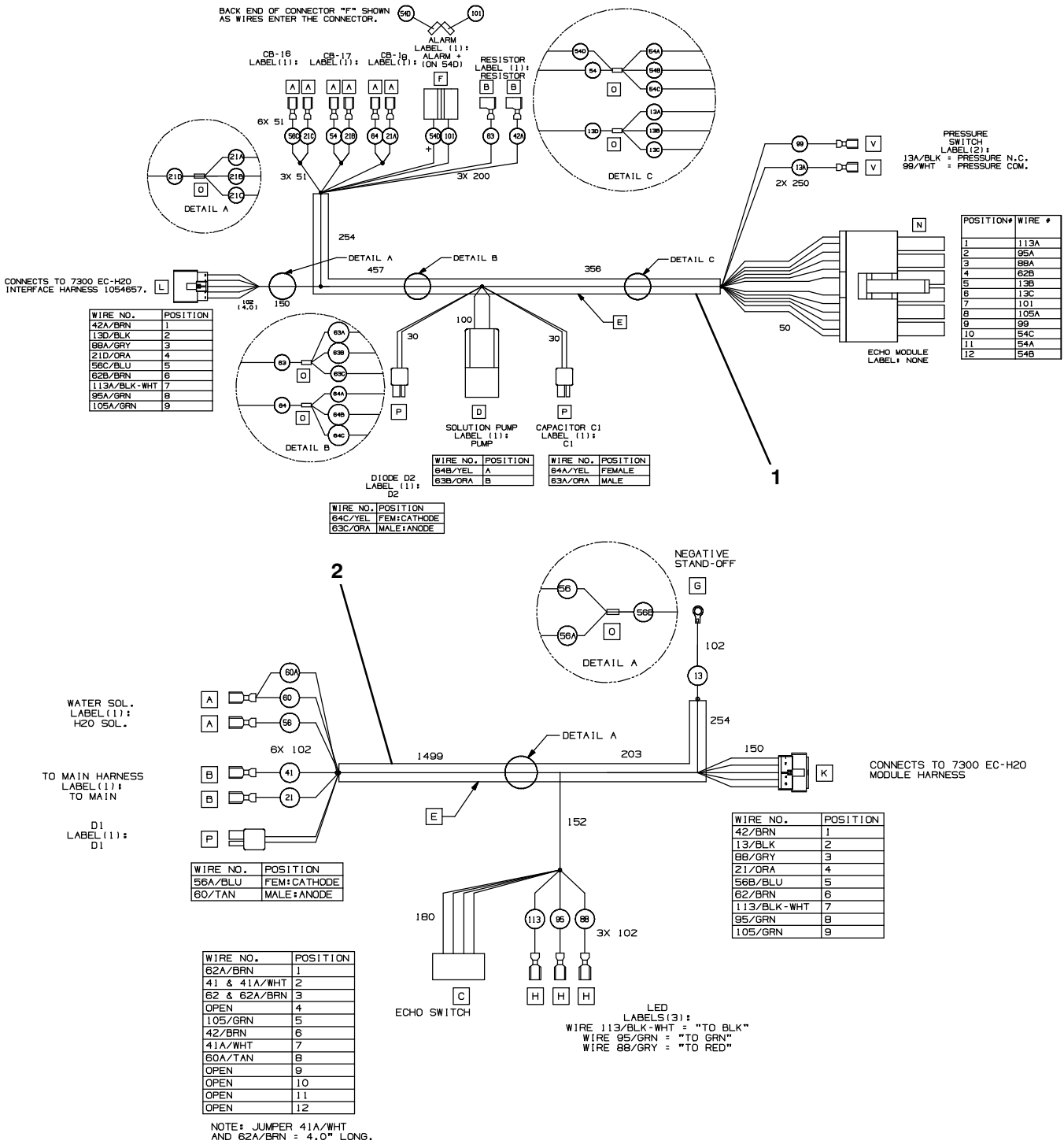


Fig. 45 - ec-H20 Switch and Label Group

Ref.	Tenant Part No.	Machine Serial Number	Description	Qty.
1	377084	(000000-) Switch, Rocker, Prgrsv	1
2	1041822	(000000-) Light, Led, .312d, 2 Volt [Tri-Color]	1
3	1055883	(000000-) Bushing, Light, Led	1
4	43454	(000000-) Washer, Flat, 0.34b 0.69d .06, Nyl	1
5	1056331	(000000-) Label Set, Opertnl [7300 ec-H2O]	1
6	1050003	(000000-) Label [User, Attention, Ec-H2o]	1
7	222290	(000000-) Diode, Ele, Plug	1
8	1040868	(000000-) Capacitor, Plug [.01 Uf, 200v]	1
9	1052755	(000000-) Label, Front [Ec-H2o, T15]	1
10	1056944	(000000-) Label, Tank [ec-H20]	2

Fig. 46 - ec-H20 Wire Harnesses Group



354909

Ref.	Tennant Part No.	Machine Serial Number	Description	Qty.
1	1050664	(000000-) Harness, Wire [7300 Ec-H2o, Module]	1
2	1054657	(000000-) Harness, Wire [7300, Ec-H2o Interface]	1

Fig. 47 - ec-H20 Install Kits

Ref.	Tenant Part No.	Machine Serial Number	Description	Qty.
1	9006106	(000000-) Ec-H2o Kit, Cylrcl, 1000mm, Ci [73/8300]	1
2	9006107	(000000-) Ec-H2o Kit, Cylrcl, 1200mm, Ci[73/8300]	1
2	9006108	(000000-) Ec-H2o Kit, Disk, Ci [7300/8300]	1

Fig. 48 - Positive Solution Control Drain Kit, Recovery Tank (000000-006999)

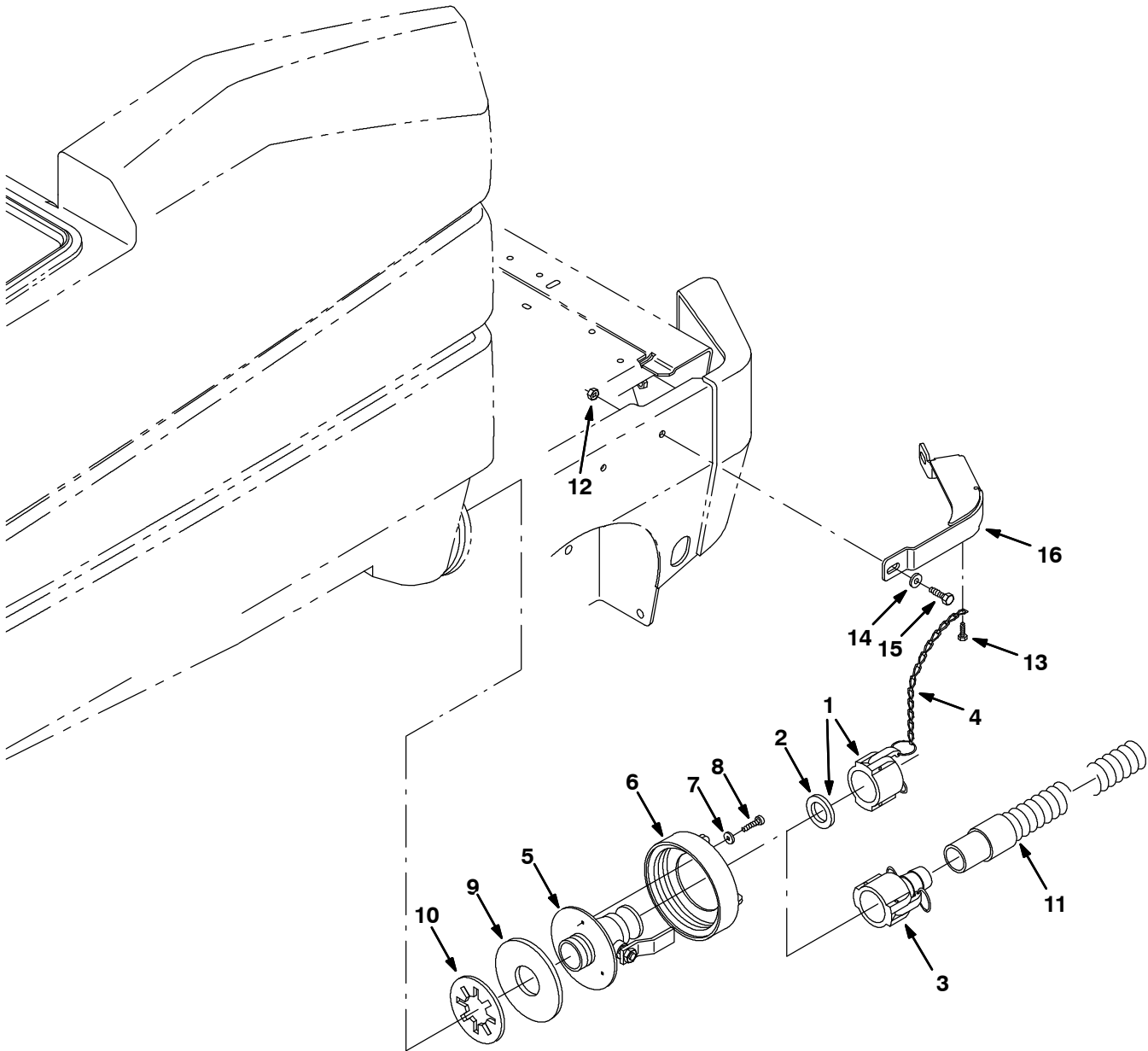


Fig. 48 - Positive Solution Control Drain Kit, Recovery Tank (000000-006999)

Ref.	Tennant Part No.	Machine Serial Number	Description	Qty.
▽	387127	(000000-006999)	Kit, Ci, Drain, Soltn, Pos, Cntrl, Recvy	1
▲▽	387221	(000000-006999)	Cap Assy	1
▲▽	1 48733	(000000-006999)	Cap, Dust	1
▲▲	2 371905	(000000-006999)	Gasket, Cap, Dust	1
▲	3 48734	(000000-006999)	Fitting, Coupler, Hose, Shank, Fem	1
▲	4 19903	(000000-006999)	Chain, Sash, #35, 07.2l 13 Link	1
▲	5 1049269	(000000-006999)	Valve, Ball, Drain, 1.50ID, Ss, Rwk	1
▲	6 23456	(000000-006999)	Cap, Tank, Drain, 6.17 Thread Pye	1
▲	7 01684	(000000-006999)	Washer, Flt, .25 Ss	3
▲	8 09744	(000000-006999)	Screw, Hex, M6 X 1.00 X 12, Ss	3
▲	9 1031700	(000000-006999)	Gasket, .19, 2.00ld 5.38OD [BUNA]	1
▲	10 20932	(000000-006999)	Washer, Polye	1
▲	11 75635	(000000-006999)	Hose Assy, W/1cuff, 1.5d 120l 1.5/	1
▲	12 07792	(000000-006999)	Nut, Hex, Flng, M10 X 1.5	2
▲	13 74455	(000000-006999)	Screw, Hex, M6 X 1.0 X 12, Fmg	1
▲	14 32492	(000000-006999)	Washer, Flt, .38 Std	2
▲	15 39284	(000000-006999)	Screw, Hex, M10 X 1.5 X 35, 8.8	2
▲	16 387213	(000000-006999)	Bumper, Posi Drain, Recvy Side	1

Fig. 49 - Positive Solution Control Drain Kit, Recovery Tank (007000-)

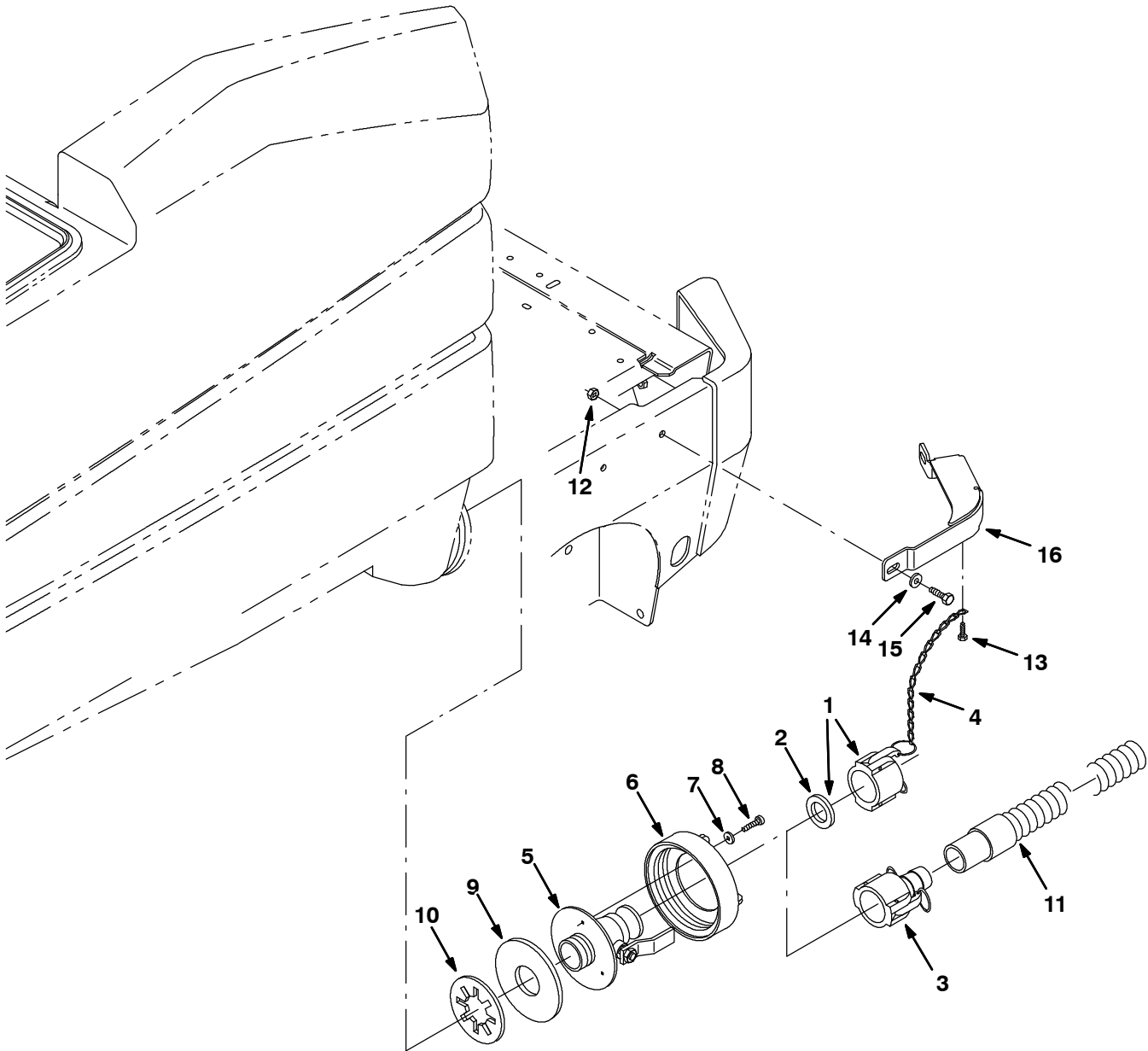


Fig. 49 - Positive Solution Control Drain Kit, Recovery Tank (007000-)

Ref.	Tennant Part No.	Machine Serial Number	Description	Qty.
▽	9006940	(007000-)	Drain Kit, Gray, Ci [Posi Cntrl/Recvy]	1
▲▽	387221	(007000-)	Cap Assy	1
▲▽	1 48733	(007000-)	Cap, Dust	1
▲▲	2 371905	(007000-)	Gasket, Cap, Dust	1
▲	3 48734	(007000-)	Fitting, Coupler, Hose, Shank, Fem	1
▲	4 19903	(007000-)	Chain, Sash, #35, 07.2l 13 Link	1
▲	5 1049269	(007000-)	Valve, Ball, Drain, 1.50ID, Ss, Rwk	1
▲	6 23456	(007000-)	Cap, Tank, Drain, 6.17 Thread Pye	1
▲	7 01684	(007000-)	Washer, Flt, .25 Ss	3
▲	8 09744	(007000-)	Screw, Hex, M6 X 1.00 X 12, Ss	3
▲	9 1031700	(007000-)	Gasket, .19, 2.00ld 5.38OD [BUNA]	1
▲	10 20932	(007000-)	Washer, Polye	1
▲	11 75635	(007000-)	Hose Assy, W/1cuff, 1.5d 120l 1.5/	1
▲	12 07792	(007000-)	Nut, Hex, Flng, M10 X 1.5	2
▲	13 74455	(007000-)	Screw, Hex, M6 X 1.0 X 12, Fmg	1
▲	14 32492	(007000-)	Washer, Flt, .38 Std	2
▲	15 39284	(007000-)	Screw, Hex, M10 X 1.5 X 35, 8.8	2
▲	16 1056799	(007000-)	Bumper, Side, Recvy, Gray [Posi Drain]	1

Fig. 50 - Positive Solution Control Drain Kit, Solution Tank (000000-006999)

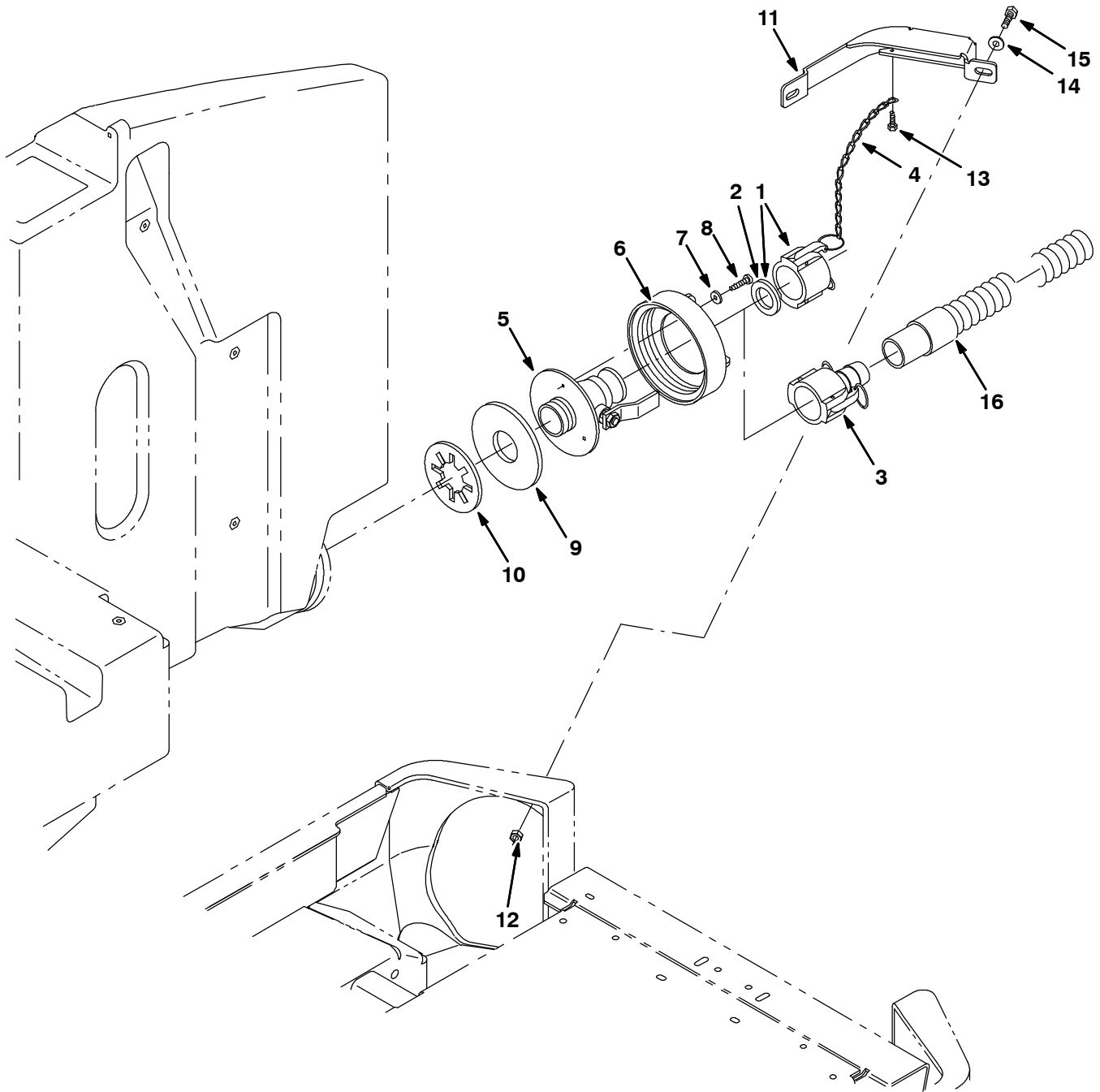


Fig. 50 - Positive Solution Control Drain Kit, Solution Tank (000000-006999)

Ref.	Tennant Part No.	Machine Serial Number	Description	Qty.
▽	387483	(000000-006999)	Kit, Ci, Drain, Soltn, Pos Cntrl, Soltn	1
▲▽	1 48733	(000000-006999)	Cap, Dust	1
▲▲	2 371905	(000000-006999)	Gasket, Cap, Dust	1
▲	3 48734	(000000-006999)	Fitting, Coupler, Hose, Shank, Fem	1
▲	4 19903	(000000-006999)	Chain, Sash, #35, 07.2l 13 Link	1
▲	5 1049269	(000000-006999)	Valve, Ball, Drain, 1.50ID, Ss, Rwk	1
▲	6 23456	(000000-006999)	Cap, Tank, Drain, 6.17 Thread Pye	1
▲	7 01684	(000000-006999)	Washer, Flt, .25 Ss	3
▲	8 09744	(000000-006999)	Screw, Hex, M6 X 1.00 X 12, Ss	3
▲	9 1031700	(000000-006999)	Gasket, .19, 2.00ld 5.38OD [BUNA]	1
▲	10 20932	(000000-006999)	Washer, Polye	1
▲	11 387126	(000000-006999)	Bumper, Posi Drain, Recvy Side	1
▲	12 07792	(000000-006999)	Nut, Hex, Flng, M10 X 1.5	2
▲	13 74455	(000000-006999)	Screw, Hex, M6 X 1.0 X 12, Fmg	1
▲	14 32492	(000000-006999)	Washer, Flt, .38 Std	2
▲	15 39284	(000000-006999)	Screw, Hex, M10 X 1.5 X 35, 8.8	2
▲	16 75635	(000000-006999)	Hose Assy, W/1cuff, 1.5d 120l 1.5/	1

Fig. 51 - Positive Solution Control Drain Kit, Solution Tank (007000-)

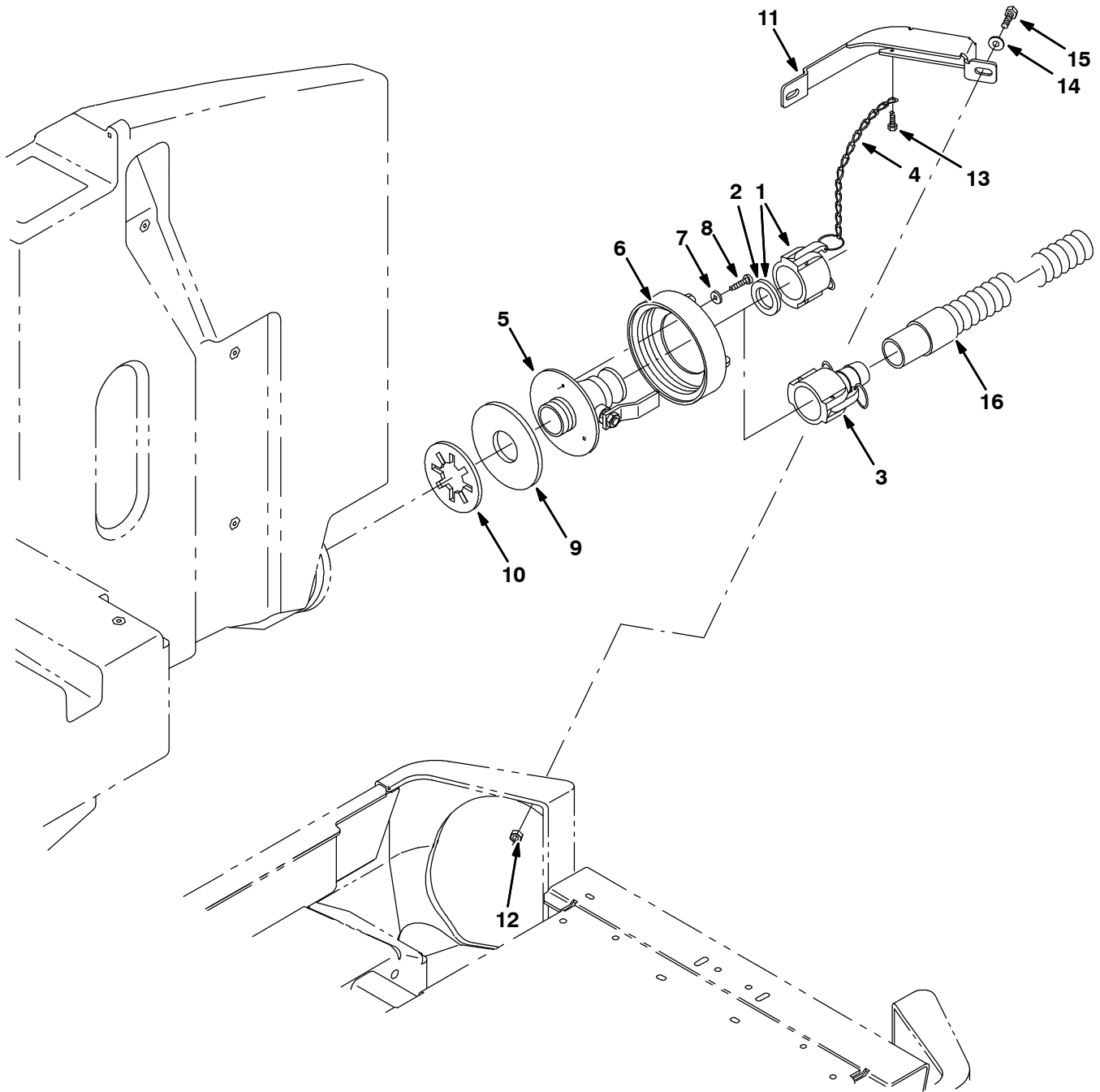


Fig. 51 - Positive Solution Control Drain Kit, Solution Tank (007000-)

Ref.	Tennant Part No.	Machine Serial Number	Description	Qty.
▽	9006959	(007000-) Drain Kit, Gray, Ci [Posi Cntrl/Soltn]	1
▲▽	1 48733	(007000-) Cap, Dust	1
▲▲	2 371905	(007000-) Gasket, Cap, Dust	1
▲	3 48734	(007000-) Fitting, Coupler, Hose, Shank, Fem	1
▲	4 19903	(007000-) Chain, Sash, #35, 07.2l 13 Link	1
▲	5 1049269	(007000-) Valve, Ball, Drain, 1.50ID, Ss, Rwk	1
▲	6 23456	(007000-) Cap, Tank, Drain, 6.17 Thread Pye	1
▲	7 01684	(007000-) Washer, Flt, .25 Ss	3
▲	8 09744	(007000-) Screw, Hex, M6 X 1.00 X 12, Ss	3
▲	9 1031700	(007000-) Gasket, .19, 2.00ld 5.38OD [BUNA]	1
▲	10 20932	(007000-) Washer, Polye	1
▲	11 1056796	(007000-) Bumper, Side, Soltn, Gray [Posi Drain]	1
▲	12 07792	(007000-) Nut, Hex, Flng, M10 X 1.5	2
▲	13 74455	(007000-) Screw, Hex, M6 X 1.0 X 12, Fmg	1
▲	14 32492	(007000-) Washer, Flt, .38 Std	2
▲	15 39284	(007000-) Screw, Hex, M10 X 1.5 X 35, 8.8	2
▲	16 75635	(007000-) Hose Assy, W/1cuff, 1.5d 120l 1.5/	1

Fig. 52 - Low Water Level Kit

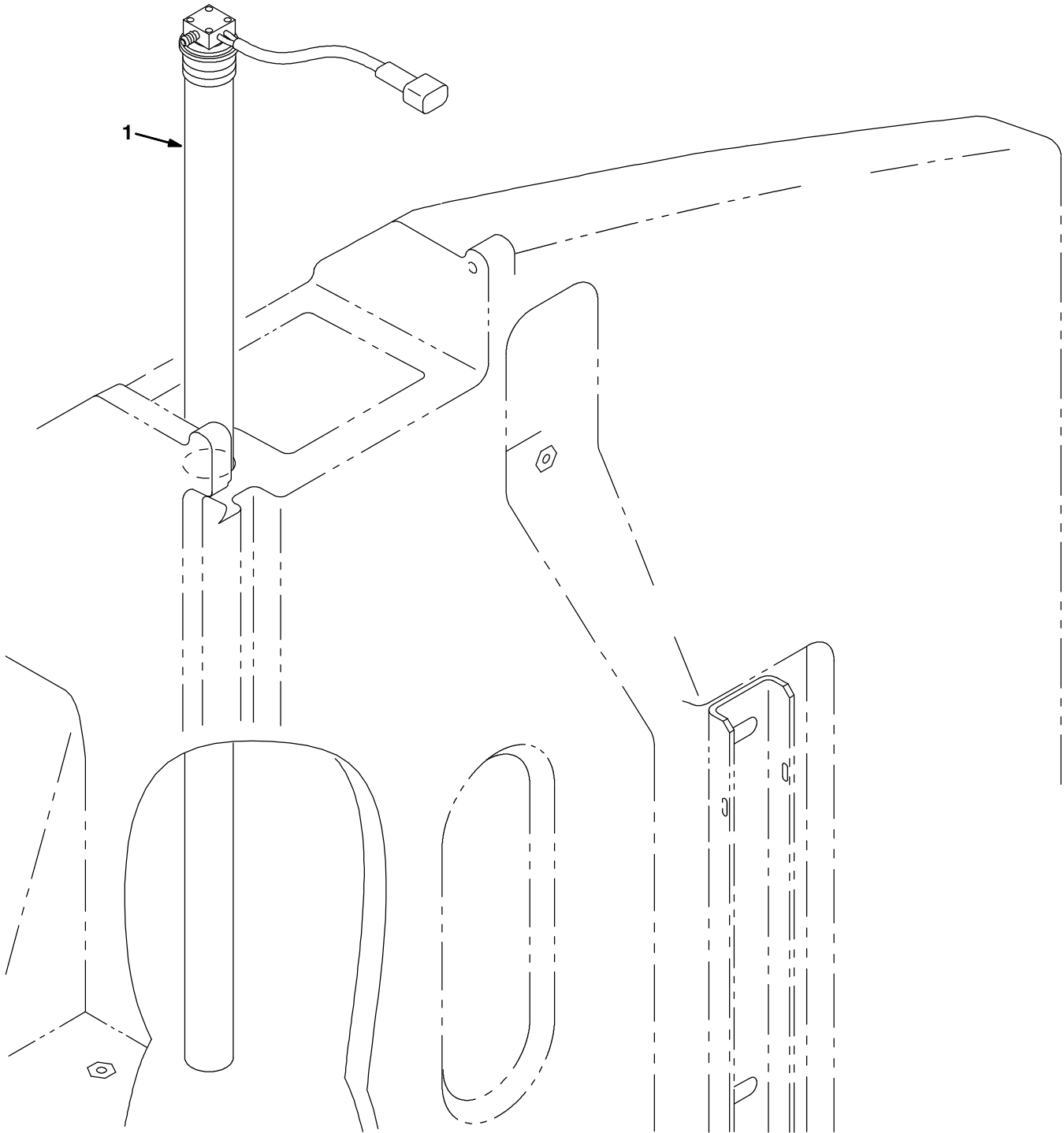


Fig. 52 - Low Water Level Kit

	Ref.	Tennant Part No.	Machine Serial Number	Description	Qty.
▽		387003	(000000-) Kit, Ci, Indicator, Low Water Level	1
▲	1	375431	(000000-) Kit, Replmt, Press Switch/34" Tube	1

Fig. 53 - Detergent Metering Kit

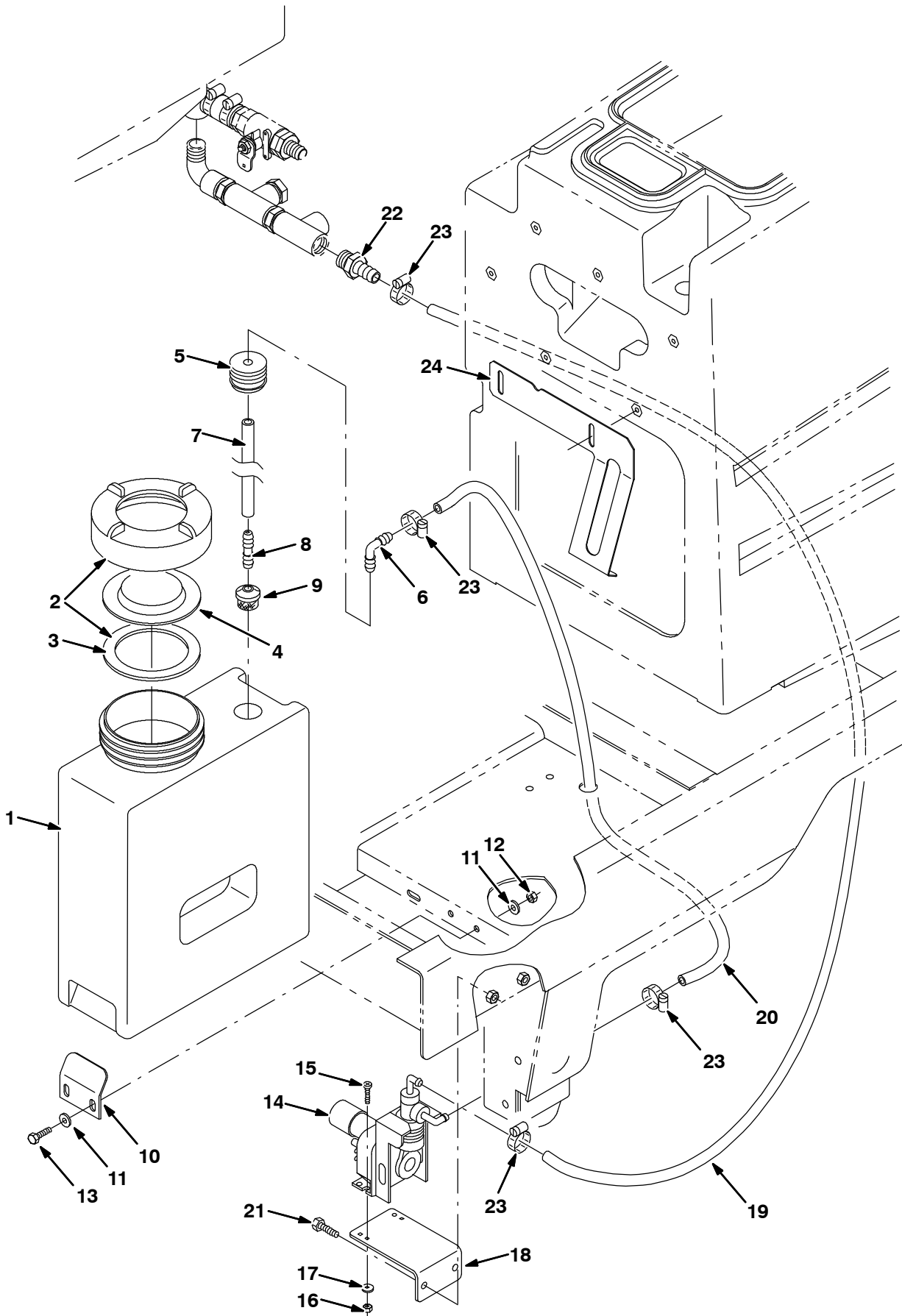


Fig. 53 - Detergent Metering Kit

	Ref.	Tennant Part No.	Machine Serial Number	Description	Qty.
▽		386482	(000000-) Kit, Ci, Detgt Metering	1
▲	1	386163	(000000-) Tank, Detergent	1
▲▽	2	24358	(000000-) Cap, Tank	1
▲▲	3	1031699	(000000-) Gasket, .19, 4.05id 5.29od [Buna]	1
▲	4	86636	(000000-) Cover, Tank	1
▲	5	20944	(000000-) Grommet, Pye, 0.37id, F/ 1.5h, .13matl	2
▲	6	20951	(000000-) Fitting, Plstc, E90, 06bm/06bm	1
▲	7	382452	(000000-) Hose, Pvc, Brd, 0.38id 0.60od 15.00l	1
▲	8	20950	(000000-) Fitting, Plstc, Str, Bm06/Bm06	1
▲	9	20952	(000000-) Screen, Pump	1
▲	10	1056867	(000000-) Plate, Mtg, Tank, Detgt, Iron Gray	1
▲	11	01685	(000000-) Washer, Flt, .31 Ss	4
▲	12	08713	(000000-) Nut, Hex, Lock, M08 X 1.25,NI, Ss	2
▲	13	09023	(000000-) Screw, Hex, M08 X 1.25 X 35, Ss	2
▲	14	386364	(000000-) Pump, Detgt, 36vdc (See Breakdown)	1
▲	15	12323	(000000-) Screw, Pan, M04 X 0.7 X 20, Ss	4
▲	16	33932	(000000-) Nut, Hex, Lock, M04 X 0.7, NI, Ss	4
▲	17	41579	(000000-) Washer, Flt, #08 Ss	4
▲	18	1056872	(000000-) Angle, Mtg, Pump, Detgt, Iron Gray	1
▲	19	387049	(000000-) Hose, Vyl, Brd .38id .60od 45.0l	1
▲	20	364669	(000000-) Hose, Pvc, Brd, 0.38id 0.60od 66.00l	1
▲	21	09023	(000000-) Screw, Hex, M08 X 1.25 X 35, Ss	2
▲	22	73467	(000000-) Fitting, Plstc, Str, Bm06/Pm12	1
▲	23	43844	(000000-) Clamp, Hose, Wormdrive, 0.25-0.62d	4
▲	24	386432	(000000-) Bracket, Retaining, Tank, Detgt	1

Fig. 54 - Power Wand Hose Assembly

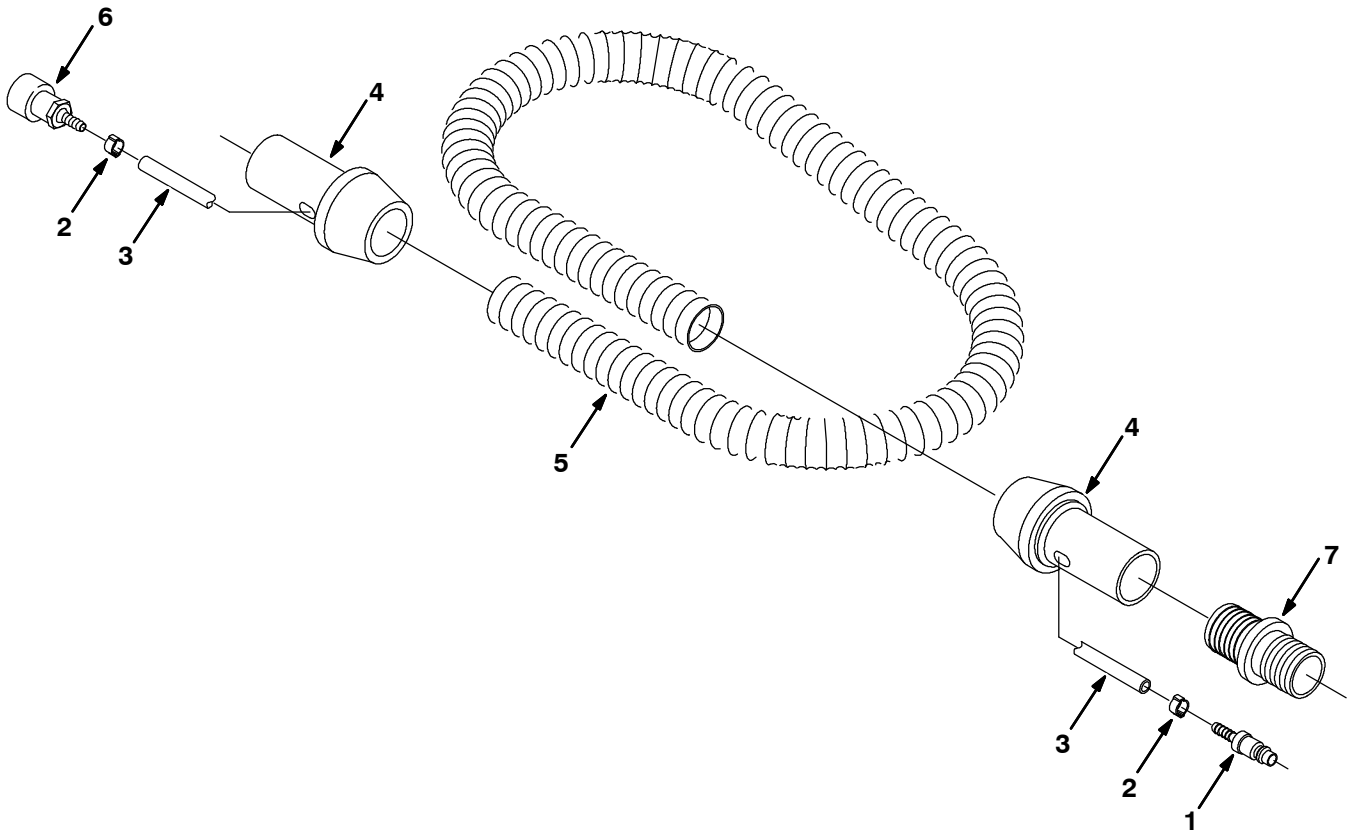


Fig. 54 - Power Wand Hose Assembly

NOTE: Power Wand Kit, (000000-006999) Part Number 387147, includes; Fig. 54, Fig. 55, Fig. 56, and Fig. 57.
 NOTE: Power Wand Kit (007000-), Part Number 9006944, includes; Fig. 54, Fig. 55, Fig. 56, and Fig. 57.

	Ref.	Tennant Part No.	Machine Serial Number	Description	Qty.
▽		65341	(000000-) Hose Assembly	1
▲	1	578318000	(000000-) Fitting, Quick Disconnect	1
▲	2	578160000	(000000-) Clamp, Hose	2
▲	3	578820000	(000000-) Hose	1
▲	4	578072000	(000000-) Cuff, Swivel	2
▲	5	578276000	(000000-) Hose, Vacuum	1
▲	6	578071000	(000000-) Fitting, Quick Disconnect	1
	7	48609	(000000-) Fitting, Plstc, Str, Bm24/Bm32	1

Fig. 55 - Power Wand Assembly

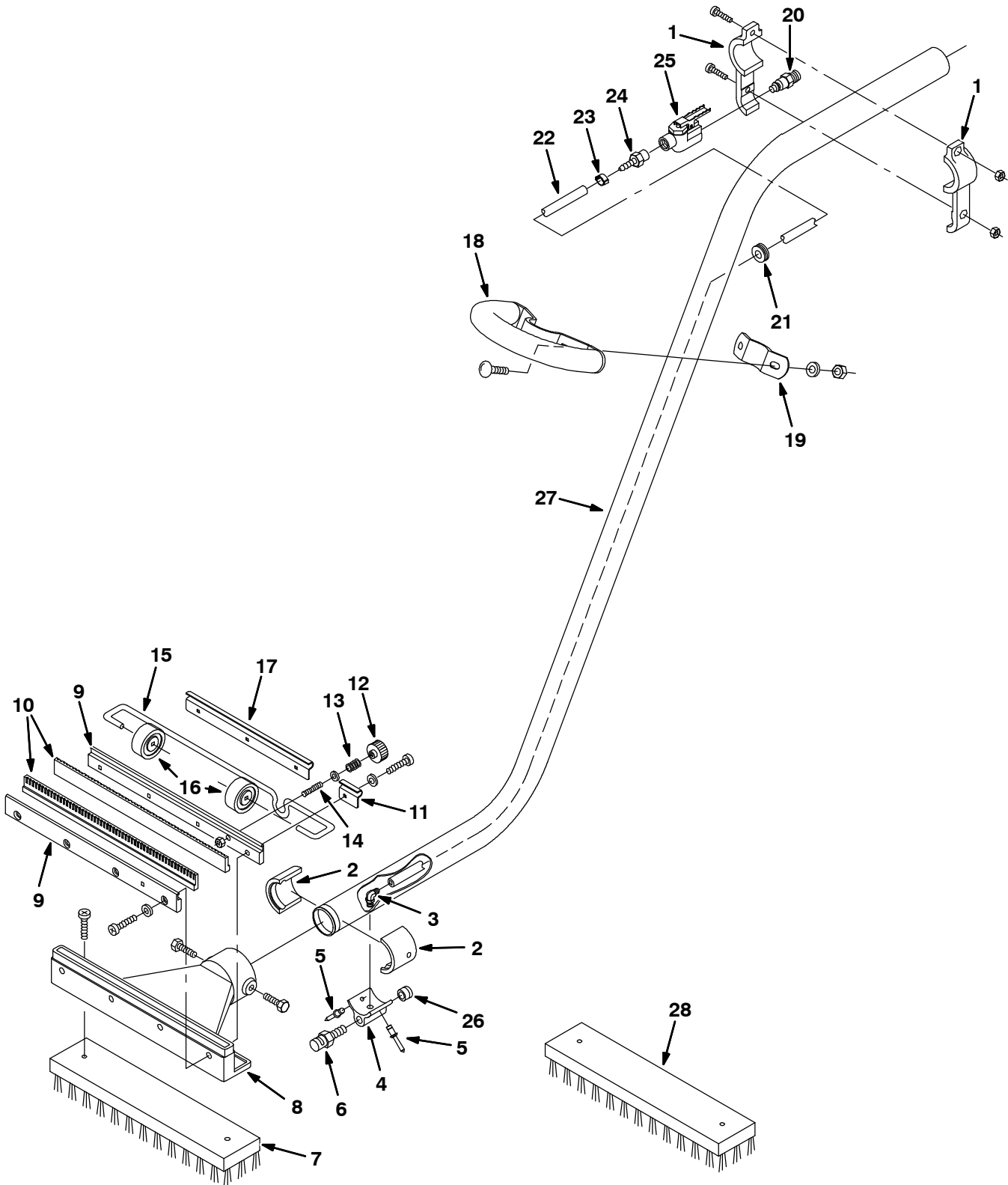


Fig. 55 - Power Wand Assembly

NOTE: Power Wand Kit, (000000-006999) Part Number 387147, includes; Fig. 54, Fig. 55, Fig. 56, and Fig. 57.

NOTE: Power Wand Kit (007000-), Part Number 9006944, includes; Fig. 54, Fig. 55, Fig. 56, and Fig. 57.

Ref.	Tennant Part No.	Machine Serial Number	Description	Qty.
▽	65340	(000000-) Kit, Wand, Power [5400]	1
▲ 1	578077000	(000000-) Bracket, Mtg	1
▲ 2	578061000	(000000-) Adaptor	2
▲ 3	578214000	(000000-) Fitting, Elbow	1
▲ 4	579112	(000000-) Adaptor	1
▲ 5	602036000	(000000-) Rivet, Pop	2
▲ 6	578066000	(000000-) Nozzle, Spray	1
▲ 7	65610	(000000-) Brush, Block, Scrub, Poly	1
▲ 8	578063000	(000000-) Head, Wand	1
▲ 9	578078000	(000000-) Strip, Retainer	2
▲ 10	578074000	(000000-) Blade, Squeegee	2
▲ 11	578124000	(000000-) Bracket	1
▲ 12	578439	(000000-) Nut, Thumb, M6 X 30mm Dia	1
▲ 13	578228000	(000000-) Spring, Compression	1
▲ 14	578143000	(000000-) Stud, Adj	1
▲ 15	578126000	(000000-) Axle, Wand	1
▲ 16	578125000	(000000-) Wheel	2
▲ 17	578123000	(000000-) Bracket	1
▲ 18	578155000	(000000-) Handle, Wand	1
▲ 19	578154000	(000000-) Handle, Wand	1
▲ 20	578091000	(000000-) Plug, Qm, .25npt	1
▲ 21	578164000	(000000-) Grommet	1
▲ 22	578821000	(000000-) Hose, Wand	1
▲ 23	578161000	(000000-) Clamp, Hose	2
▲ 24	578094000	(000000-) Fitting, Hose, Barbed, .25npt Mal	1
▲ 25	578064000	(000000-) Valve, Water	1
▲ 26	150208	(000000-) Plug	1
▲ 27	578060000	(000000-) Wand	1
▲ 28	65582	(000000-) Brush, Block, Scrub, Ab	1

Fig. 56 - Power Wand Pump and Fittings Group

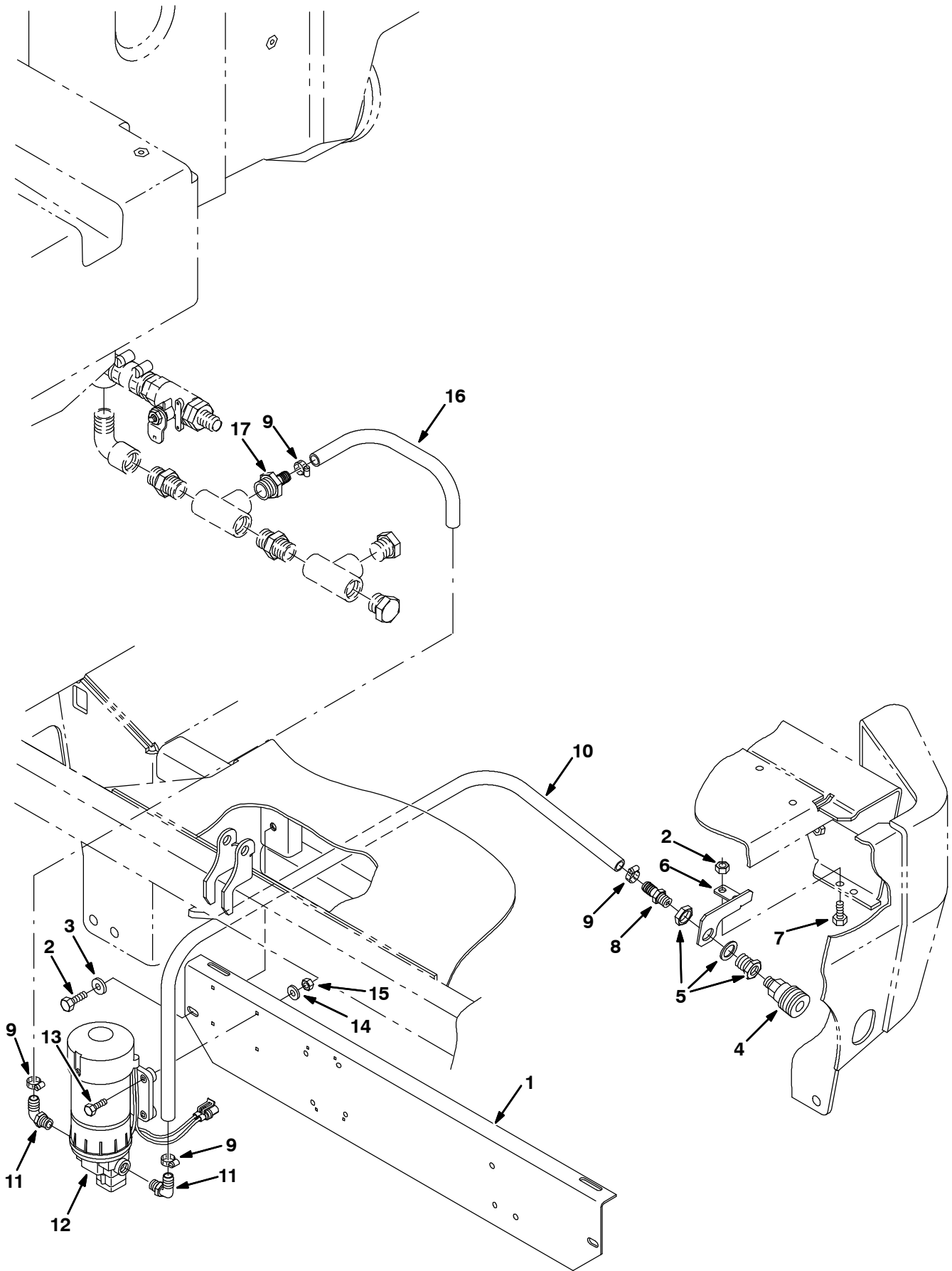


Fig. 56 - Power Wand Pump and Fittings Group

NOTE: Power Wand Kit, (000000-006999) Part Number 387147, includes; Fig. 54, Fig. 55, Fig. 56, and Fig. 57.
 NOTE: Power Wand Kit (007000-), Part Number 9006944, includes; Fig. 54, Fig. 55, Fig. 56, and Fig. 57.

Ref.	Tennant Part No.	Machine Serial Number	Description	Qty.
1	1056864	(000000-) Angle, Mtg, Es, Iron Gray	1
2	09010	(000000-) Screw, Hex, M08 X 1.25 X 25, Ss	4
3	01685	(000000-) Washer, Flt, .31 Ss	2
4	65342	(000000-) Fitting, Brs, Qdc, Pm04/Qf06	1
5	78122	(000000-) Fitting, Brs, Str, Pf04/Pf04 Bkhd	1
6	1056865	(000000-) Bracket, Wand, Power, Iron Gray	1
7	08713	(000000-) Nut, Hex, Lock, M08 X 1.25,NI, Ss	2
8	48610	(000000-) Fitting, Plstc, Str, Bm08/Pm04	1
9	54333	(000000-) Clamp, Hose, Wormdrive, 0.31-0.88d	4
10	84057	(000000-) Hose, Pvc, Wir, 0.50id 0.74od 47.00l	1
11	65581	(000000-) Fitting, Plstc, E90, Bm08/Pm04	2
12	387321	(000000-) Pump Assy, Power Wand (See Breakdown)	1
13	09007	(000000-) Screw, Hex, M06 X 1.0 X 25, Ss	4
14	01684	(000000-) Washer, Flt, .25 Ss	4
15	08712	(000000-) Nut, Hex, Lock, M06 X 1.0, NI, Ss	4
16	63184	(000000-) Hose, Pvc, Wir, 0.50id 0.75od 15.50l	1
17	79273-1	(000000-) Fitting, Plstc, Str, Bm08/Pm12	1

Fig. 57 - Power Wand Mount Group

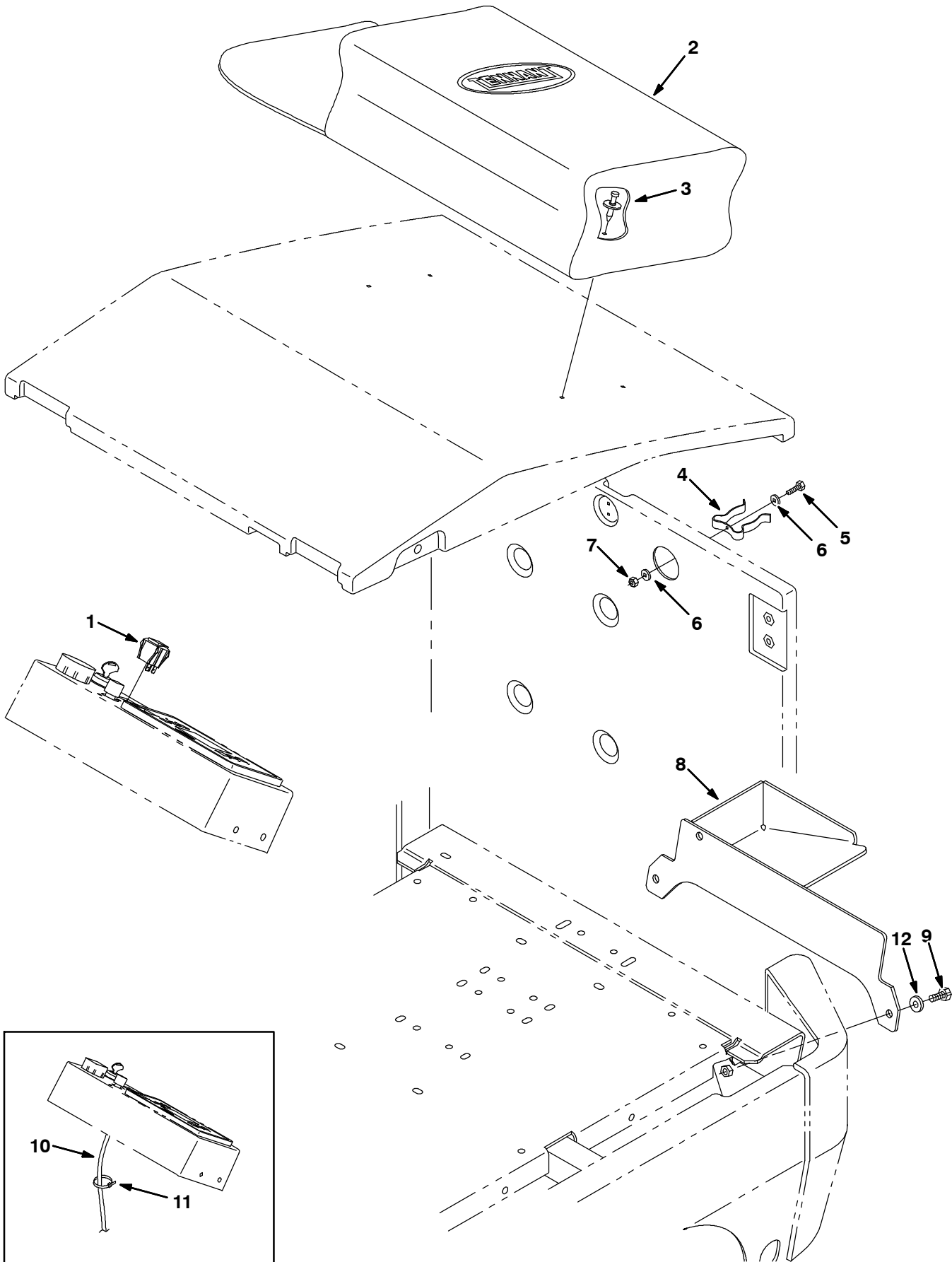


Fig. 57 - Power Wand Mount Group

NOTE: Power Wand Kit, (000000-006999) Part Number 387147, includes; Fig. 54, Fig. 55, Fig. 56, and Fig. 57.
 NOTE: Power Wand Kit (007000-), Part Number 9006944, includes; Fig. 54, Fig. 55, Fig. 56, and Fig. 57.

Ref.	Tennant Part No.	Machine Serial Number	Description	Qty.
1	222117	(000000-)	Switch, Rocker	1
2	65580	(000000-)	Bag, Power	1
3	72968	(000000-)	Rivet, Plstc, .250 X 0.898	2
4	67004	(000000-)	Clip, Finger Grip	1
5	09228	(000000-)	Screw, Hex, M04 X 0.7 X 20, 8.8	1
6	19064	(000000-)	Washer, Flt, #06	2
7	02850	(000000-)	Nut, Hex, Lock, M04 X 0.7, NI	1
8	387050	(000000-006999)	Tray Wldt, Power Wand	1
8	1056793	(007000-)	Tray Wldt, Power Wand, Iron Gray	1
9	12273	(000000-)	Screw, Hex, M08 X 1.25 X 20, Ss, NI	3
10	387422	(000000-)	Harness, Power Wand, [7300/8300]	1
10	386608	(000000-xxxxxx)	Harness, Power Wand, [7300/8300]	1
10	387422	(xxxxxx-003545)	Harness, Power Wand, [7300/8300]	1
11	49266	(000000-003545)	Tie, Cable, Nyl, 07.3l .19w 1.8 Max D	4
12	01685	(000000-)	Washer, Flt, .31	3

Fig. 58 - Vacuum Wand Kit

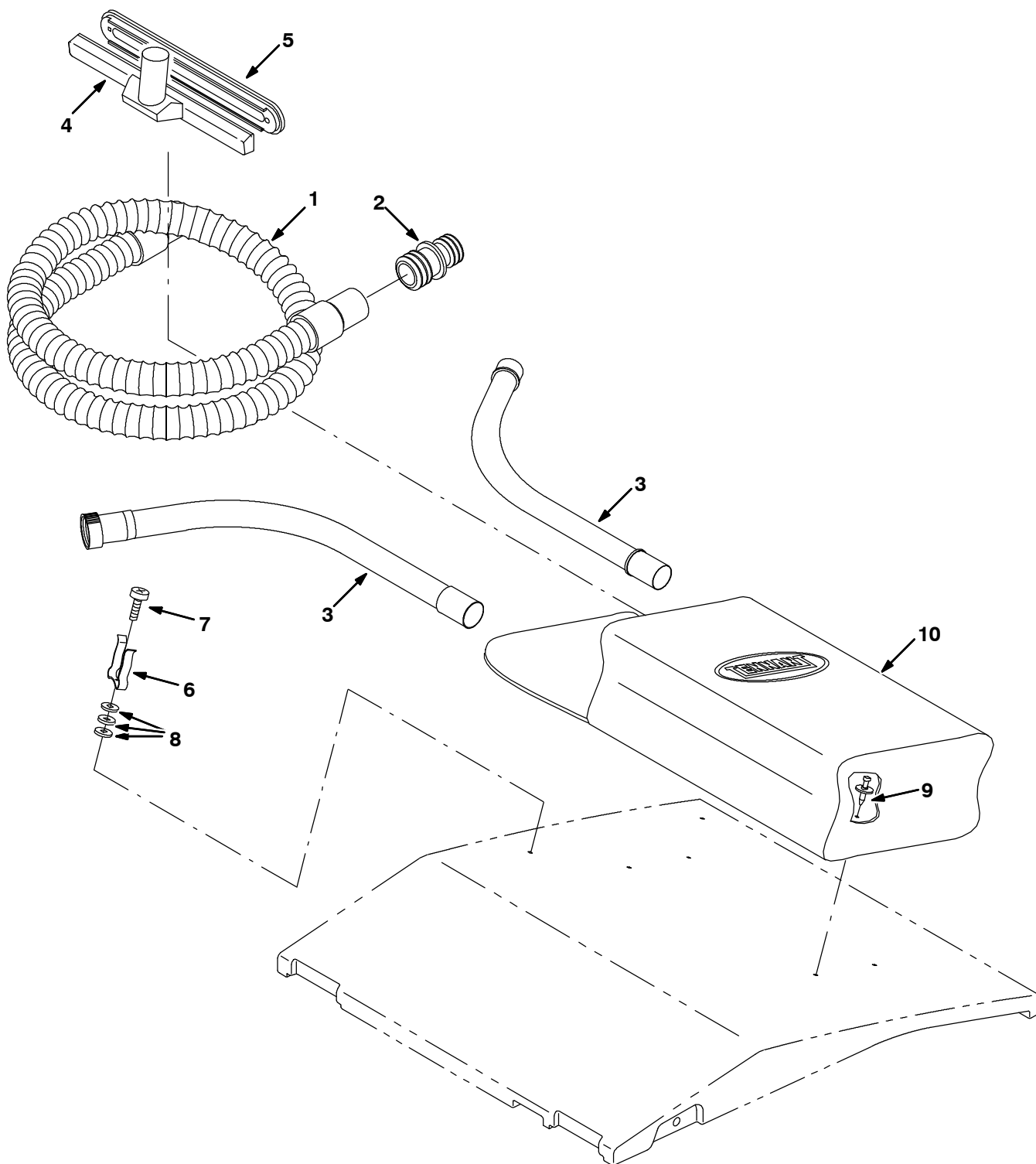


Fig. 58 - Vacuum Wand Kit

	Ref.	Tennant Part No.	Machine Serial Number	Description	Qty.
▽		387262	(000000-) Kit, Ci, Vacuum Wand, [7300/8300]	1
▲	1	86767	(000000-) Hose Assy, Pvc, W/ Cuff, 1.5d, 90.0l	1
▲	2	48609	(000000-) Fitting, Plstc, Str, Bm24/Bm32	1
▲	3	63448	(000000-) Tube, Wand, Vacuum, Metal	1
▲	4	63451	(000000-) Nozzle, Wand, Plstc, 14.0lg	1
▲	5	63430	(000000-) Shoe, Plstc, Sqge, 14inch	1
▲	6	67004	(000000-) Clip, Finger Grip	2
▲	7	360943	(000000-) Screw, Pan, #10-14X0.75, F/Plstc	2
▲	8	19064	(000000-) Washer, Flt, #06	6
▲	9	72968	(000000-) Rivet, Plstc, .250 X 0.898	4
▲	10	65580	(000000-) Bag, Power	1

OPTIONS

Fig. 59 - Max Pro 1200 Rear Squeegee Group (000000-006999)

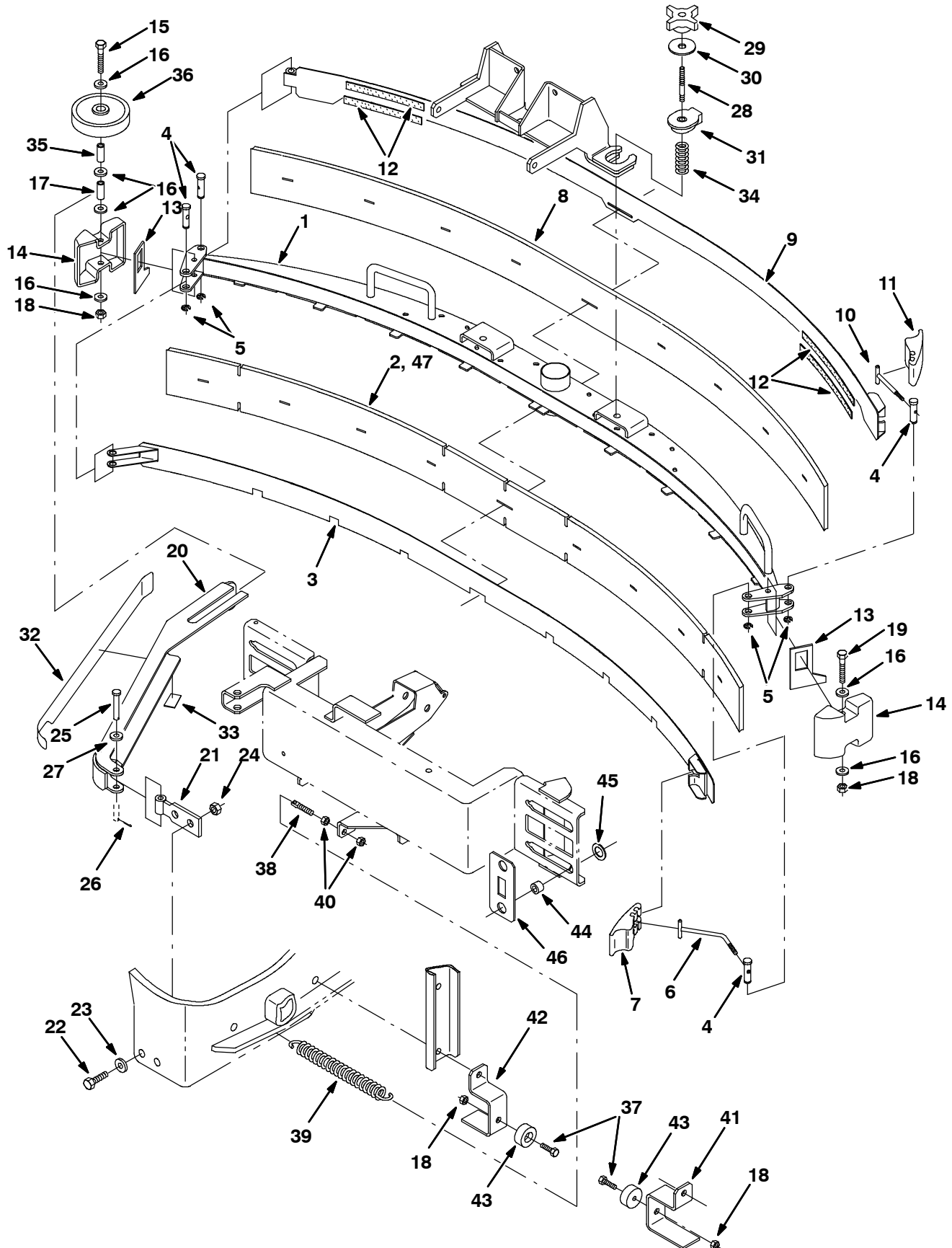


Fig. 59 - Max Pro 1200 Rear Squeegee Group (000000-006999)

Ref.	Tennant Part No.	Machine Serial Number	Description	Qty.
▽	386861	(000000-006999)	Kit, Cl, Squeegee, Rear [Max Pro 1200]	1
▲	1 1056877	(000000-006999)	Frame Wldt, Sqge 48.0l	1
▲	2 386833	(000000-006999)	Blade, Sqge, Front 48.0l	1
▲	3 386835	(000000-006999)	Clamp Wldt, Front 48.0l	1
▲	4 21603	(000000-006999)	Pin	4
▲	5 24555	(000000-006999)	Ring, Retaining, Ext	4
▲	6 386298	(000000-006999)	Pin Wldt, Front	1
▲	7 21601	(000000-006999)	Cam	1
▲	8 386834	(000000-006999)	Blade, Sqge, Rear 48.0l	1
▲	9 386836	(000000-006999)	Clamp Wldt, Rear 48.0l	1
▲	10 21606	(000000-006999)	Bar Wldt, Retainer, Sqge, Rear	1
▲	11 21602	(000000-006999)	Cam, Rear	1
▲	12 03495	(000000-006999)	Strip, Nonslip	4
▲	13 83874	(000000-006999)	Gasket, Sqge	2
▲	14 386264	(000000-006999)	Bumper, Sqge	2
▲	15 387431	(000000-006999)	Screw, Hex, M08 X 1.25 X 130 Ss	1
▲	16 01685	(000000-006999)	Washer, Flt, .31 Ss	5
▲	17 222497	(000000-006999)	Sleeve	1
▲	18 08713	(000000-006999)	Nut, Hex, Lock, M08 X 1.25,NI, Ss	4
▲	19 09767	(000000-006999)	Screw, Hex, M08 X 1.25 X 70, Ss	1
▲	20 387435	(000000-006999)	Channel Wldt	1
▲	21 386234	(000000-006999)	Pivot Wldt, Guard	1
▲	22 12309	(000000-006999)	Screw, Hex, M12 X 1.75 X 30, Ss	2
▲	23 41619	(000000-006999)	Washer, Flt, .50 Ss	2
▲	24 09741	(000000-006999)	Nut, Hex, Lock, M12 X 1.75,NI, Ss	2
▲	25 1039190	(000000-006999)	Pin, Clevis, 0.25d X 2.00l	1
▲	26 08178	(000000-006999)	Pin, Cotter, .062 X 0.75	1
▲	27 01684	(000000-006999)	Washer, Flat, 0.27b 0.69d .05, Ss	2
▲	28 387237	(000000-006999)	Stud, .31-18 2.75l M8 X 1.25, Ss	2
▲	29 370100	(000000-006999)	Knob, 4-Prong W/.31-18, Insert	2
▲	30 04414	(000000-006999)	Washer, 0.53b 1.88d .12, Stl, Pl	2
▲	31 387433	(000000-006999)	Ring, Mtg, Sqge, .50l	2
▲	32 387436	(000000-006999)	Bumper, Poly-E	1
▲	33 387438	(000000-006999)	Bumper, Poly-E	1
▲	34 387500	(000000-006999)	Spring, Cmpr, .87od .042wir 2.0l	2
▲	35 363301	(000000-006999)	Sleeve, 0.62d 0.34b 1.19l Bnz	1
▲	36 363162	(000000-006999)	Wheel, 4.0d 0.89w 0.64b	1
▲	37 09010	(000000-006999)	Screw, Hex, M08 X 1.25 X 25, Ss	2
▲	38 386847	(000000-006999)	Bolt, Eye, M10x1.5 X 2.0 X .28 Eye	1
▲	39 71100	(000000-006999)	Spring, Extn, 1.69od X 0.20wir, 9.5l	1
▲	40 32716	(000000-006999)	Nut, Hex, Jam, M10 X 1.5, Ss	2
▲	41 387446	(000000-006999)	Channel, Stop, Lh	1
▲	42 387447	(000000-006999)	Channel, Stop, Rh	1
▲	43 364614	(000000-006999)	Bumper, Neo, 1.5d .63t .31h	2
▲	44 387429	(000000-006999)	Sleeve, P/M, 0.44b 0.75d 0.5l [430ss]	4
▲	45 53782	(000000-006999)	Washer, Thrust, 0.75b 1.25d 0.06w	4
▲	46 387430	(000000-006999)	Plate, Slide	2
▲	47 387258	(000000-006999)	Blade, Sqge, Front, Mp1200, Tile	1

Fig. 60 - Max Pro 1200 Rear Squeegee Group (007000-)

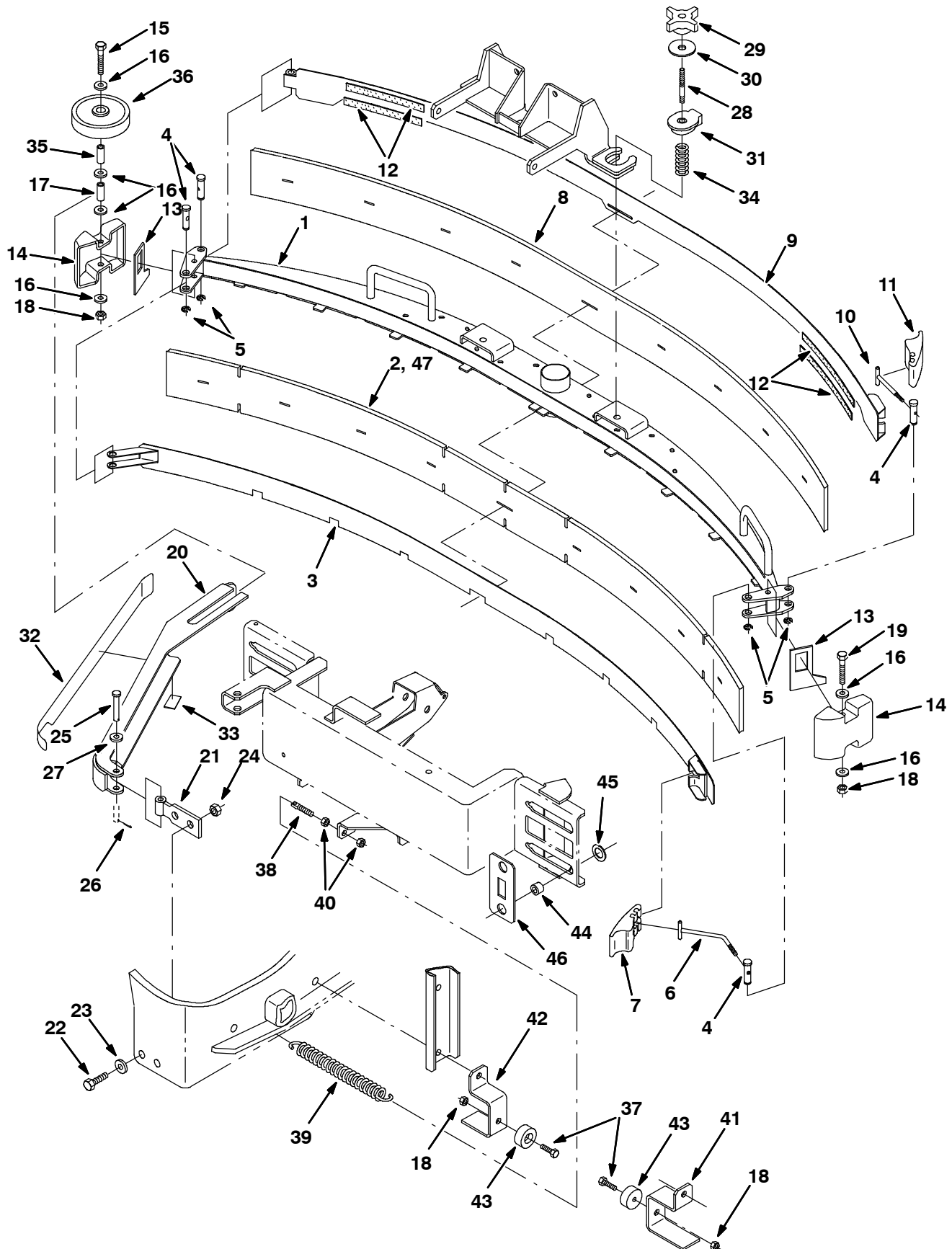


Fig. 60 - Max Pro 1200 Rear Squeegee Group (007000-)

Ref.	Tennant Part No.	Machine Serial Number	Description	Qty.
▽	9006931	(007000-) Squeegee Assy Kit, Rear, Ci [Mp1200]	1
▲	1 1056877	(007000-) Frame Wldt, Sqge 48.0l	1
▲	2 386833	(007000-) Blade, Sqge, Front 48.0l	1
▲	3 386835	(007000-) Clamp Wldt, Front 48.0l	1
▲	4 21603	(007000-) Pin	4
▲	5 24555	(007000-) Ring, Retaining, Ext	4
▲	6 386298	(007000-) Pin Wldt, Front	1
▲	7 21601	(007000-) Cam	1
▲	8 386834	(007000-) Blade, Sqge, Rear 48.0l	1
▲	9 386836	(007000-) Clamp Wldt, Rear 48.0l	1
▲	10 21606	(007000-) Bar Wldt, Retainer, Sqge, Rear	1
▲	11 21602	(007000-) Cam, Rear	1
▲	12 03495	(007000-) Strip, Nonslip	4
▲	13 83874	(007000-) Gasket, Sqge	2
▲	14 386264	(007000-) Bumper, Sqge	2
▲	15 387431	(007000-) Screw, Hex, M08 X 1.25 X 130 Ss	1
▲	16 01685	(007000-) Washer, Flt, .31 Ss	5
▲	17 222497	(007000-) Sleeve	1
▲	18 08713	(007000-) Nut, Hex, Lock, M08 X 1.25,NI, Ss	4
▲	19 09767	(007000-) Screw, Hex, M08 X 1.25 X 70, Ss	1
▲	20 1056805	(007000-) Channel Wldt, Iron Gray	1
▲	21 1056466	(007000-) Plate Wldt, Pivot, Guard, Iron Gray	1
▲	22 12309	(007000-) Screw, Hex, M12 X 1.75 X 30, Ss	2
▲	23 41619	(007000-) Washer, Flt, .50 Ss	2
▲	24 09741	(007000-) Nut, Hex, Lock, M12 X 1.75,NI, Ss	2
▲	25 1039190	(007000-) Pin, Clevis, 0.25d X 2.00l	1
▲	26 08178	(007000-) Pin, Cotter, .062 X 0.75	1
▲	27 01684	(007000-) Washer, Flat, 0.27b 0.69d .05, Ss	2
▲	28 387237	(007000-) Stud, .31-18 2.75l M8 X 1.25, Ss	2
▲	29 370100	(007000-) Knob, 4-Prong W/.31-18, Insert	2
▲	30 04414	(007000-) Washer, 0.53b 1.88d .12, Stl, Pl	2
▲	31 387433	(007000-) Ring, Mtg, Sqge, .50l	2
▲	32 387436	(007000-) Bumper, Poly-E	1
▲	33 387438	(007000-) Bumper, Poly-E	1
▲	34 387500	(007000-) Spring, Cmpr, .87od .042wir 2.0l	2
▲	35 363301	(007000-) Sleeve, 0.62d 0.34b 1.19l Bnz	1
▲	36 363162	(007000-) Wheel, 4.0d 0.89w 0.64b	1
▲	37 09010	(007000-) Screw, Hex, M08 X 1.25 X 25, Ss	2
▲	38 386847	(007000-) Bolt, Eye, M10x1.5 X 2.0 X .28 Eye	1
▲	39 71100	(007000-) Spring, Extn, 1.69od X 0.20wir, 9.5l	1
▲	40 32716	(007000-) Nut, Hex, Jam, M10 X 1.5, Ss	2
▲	41 1056806	(007000-) Bracket, Stop, Bar, Lh, Iron Gray	1
▲	42 1056807	(007000-) Bracket, Stop, Bar, Rh, Iron Gray	1
▲	43 364614	(007000-) Bumper, Neo, 1.5d .63t .31h	2
▲	44 387429	(007000-) Sleeve, P/M, 0.44b 0.75d 0.5l [430ss]	4
▲	45 53782	(007000-) Washer, Thrust, 0.75b 1.25d 0.06w	4
▲	46 387430	(007000-) Plate, Slide	2
▲	47 387258	(007000-) Blade, Sqge, Front, Mp1200, Tile	1

OPTIONS

Fig. 61 - Max Pro 1200 Rear Squeegee Group for Vacuumized Side Squeegee (000000-006999)

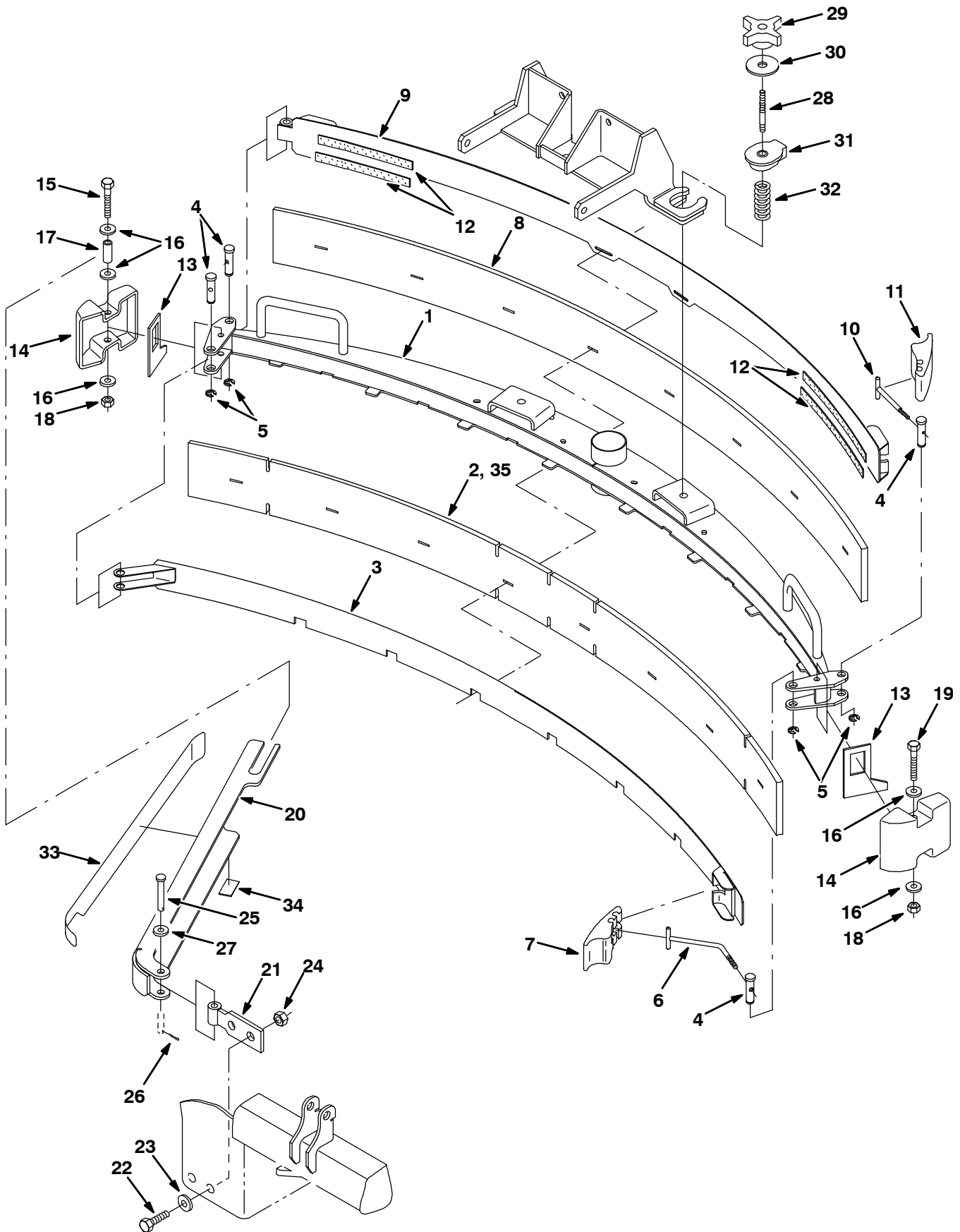


Fig. 61 - Max Pro 1200 Rear Squeegee Group for Vacuumized Side Squeegee (000000-006999)

Ref.	Tennant Part No.	Machine Serial Number	Description	Qty.
▽	386860	(000000-006999)	Kit, Cl, Squeegee, Rear (Max Pro™ 1000)	1
▲	1 1056856	(000000-006999)	Frame Wldt, Sqge, Iron Gray	1
▲	2 386283	(000000-006999)	Blade, Sqge, Front	1
▲	3 386285	(000000-006999)	Clamp Wldt, Front	1
▲	4 21603	(000000-006999)	Pin	4
▲	5 24555	(000000-006999)	Ring, Retaining, Ext	4
▲	6 386298	(000000-006999)	Pin Wldt, Front	1
▲	7 21601	(000000-006999)	Cam	1
▲	8 386284	(000000-006999)	Blade, Sqge, Rear	1
▲	9 386286	(000000-006999)	Clamp Wldt, Rear	1
▲	10 21606	(000000-006999)	Bar Wldt, Retainer, Sqge, Rear	1
▲	11 21602	(000000-006999)	Cam, Rear	1
▲	12 03495	(000000-006999)	Strip, Nonslip	4
▲	13 83874	(000000-006999)	Gasket, Sqge	2
▲	14 386264	(000000-006999)	Bumper, Sqge	2
▲	15 386299	(000000-006999)	Screw, Hex, M08 X 1.25 X 100, Ss	1
▲	16 01685	(000000-006999)	Washer, Flt, .31 Ss	5
▲	17 222497	(000000-006999)	Sleeve	1
▲	18 08713	(000000-006999)	Nut, Hex, Lock, M08 X 1.25,NI, Ss	2
▲	19 09767	(000000-006999)	Screw, Hex, M08 X 1.25 X 70, Ss	1
▲	20 386266	(000000-006999)	Channel Wldt	1
▲	21 386234	(000000-006999)	Pivot Wldt, Guard	1
▲	22 12309	(000000-006999)	Screw, Hex, M12 X 1.75 X 30, Ss	2
▲	23 41619	(000000-006999)	Washer, Flt, .50 Ss	2
▲	24 09741	(000000-006999)	Nut, Hex, Lock, M12 X 1.75,NI, Ss	2
▲	25 1039190	(000000-006999)	Pin, Clevis, 0.25d X 2.00l	1
▲	26 08178	(000000-006999)	Pin, Cotter, .062 X 0.75	1
▲	27 01684	(000000-006999)	Washer, Flt, .25 Ss	2
▲	28 387237	(000000-006999)	Stud, .31-18 2.75l M8 X 1.25, Ss	2
▲	29 370100	(000000-006999)	Knob, 4-Prong W/.31-18, Insert	2
▲	30 04414	(000000-006999)	Washer, 0.53b 1.88d .12, Stl, Pl	2
▲	31 387433	(000000-006999)	Ring, Mtg, Sqge, .50l	2
▲	32 387500	(000000-006999)	Spring, Cmpr, .87od .042wir 2.0l	2
▲	33 387448	(000000-006999)	Bumper, Poly-E	1
▲	34 387438	(000000-006999)	Bumper, Poly-E	1
▲	35 387257	(000000-)	Blade, Sqge, Front, Mp1000, Tile	1

OPTIONS

Fig. 62 - Max Pro 1200 Rear Squeegee Group for Vacuumized Side Squeegee (007000-)

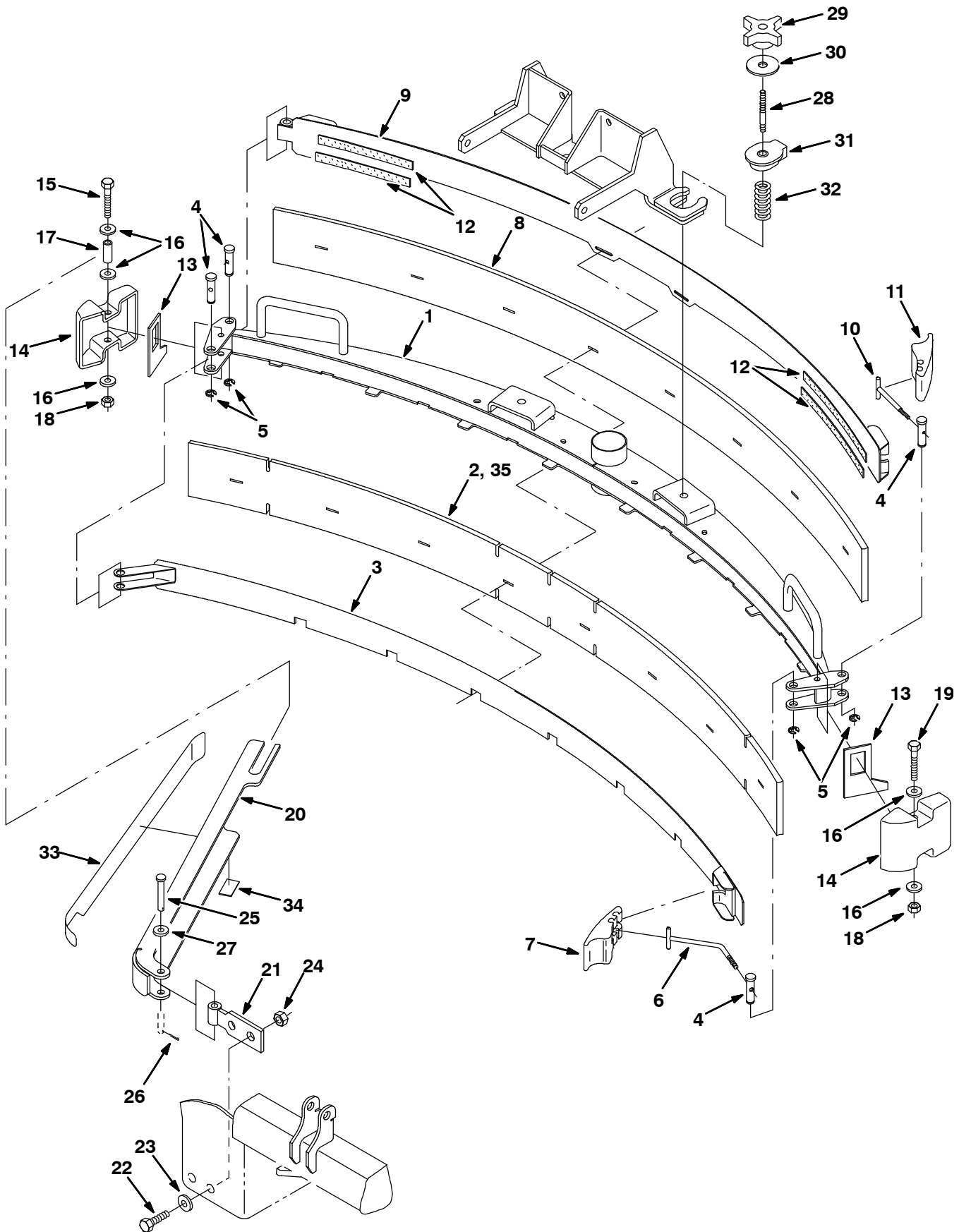
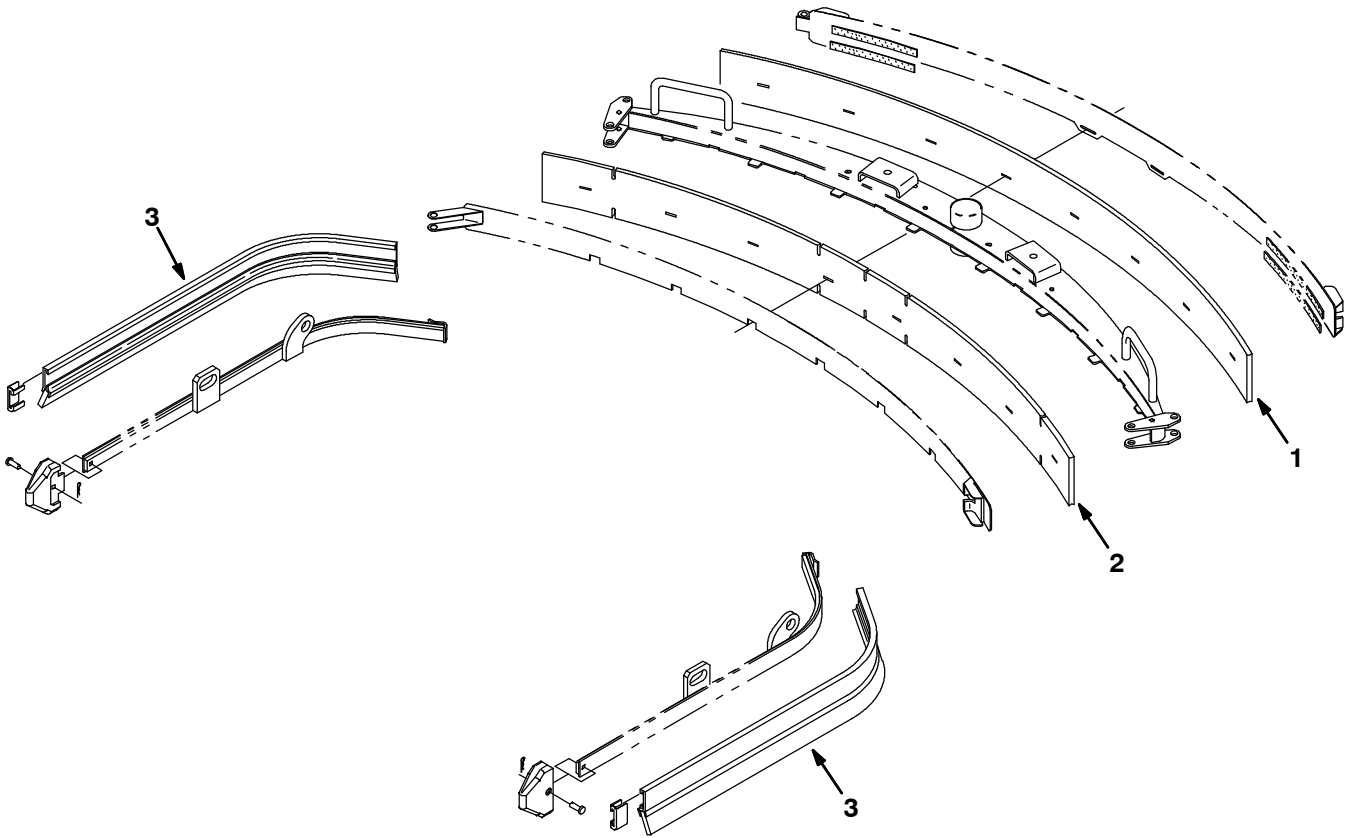


Fig. 62 - Max Pro 1200 Rear Squeegee Group for Vacuumized Side Squeegee (007000-)

Ref.	Tennant Part No.	Machine Serial Number	Description	Qty.
▽	9006930	(007000-) Squeegee Assy Kit, Rear, Ci [Mp1000]	1
▲	1 1056856	(007000-) Frame Wldt, Sqge, Iron Gray	1
▲	2 386283	(007000-) Blade, Sqge, Front	1
▲	3 386285	(007000-) Clamp Wldt, Front	1
▲	4 21603	(007000-) Pin	4
▲	5 24555	(007000-) Ring, Retaining, Ext	4
▲	6 386298	(007000-) Pin Wldt, Front	1
▲	7 21601	(007000-) Cam	1
▲	8 386284	(007000-) Blade, Sqge, Rear	1
▲	9 386286	(007000-) Clamp Wldt, Rear	1
▲	10 21606	(007000-) Bar Wldt, Retainer, Sqge, Rear	1
▲	11 21602	(007000-) Cam, Rear	1
▲	12 03495	(007000-) Strip, Nonslip	4
▲	13 83874	(007000-) Gasket, Sqge	2
▲	14 386264	(007000-) Bumper, Sqge	2
▲	15 386299	(007000-) Screw, Hex, M08 X 1.25 X 100, Ss	1
▲	16 01685	(007000-) Washer, Flt, .31 Ss	5
▲	17 222497	(007000-) Sleeve	1
▲	18 08713	(007000-) Nut, Hex, Lock, M08 X 1.25,NI, Ss	2
▲	19 09767	(007000-) Screw, Hex, M08 X 1.25 X 70, Ss	1
▲	20 1056471	(007000-) Channel Wldt, Guard, Rh, Iron Gray	1
▲	21 1056466	(007000-) Plate Wldt, Pivot, Guard, Iron Gray	1
▲	22 12309	(007000-) Screw, Hex, M12 X 1.75 X 30, Ss	2
▲	23 41619	(007000-) Washer, Flt, .50 Ss	2
▲	24 09741	(007000-) Nut, Hex, Lock, M12 X 1.75,NI, Ss	2
▲	25 1039190	(007000-) Pin, Clevis, 0.25d X 2.00l	1
▲	26 08178	(007000-) Pin, Cotter, .062 X 0.75	1
▲	27 01684	(007000-) Washer, Flt, .25 Ss	2
▲	28 387237	(007000-) Stud, .31-18 2.75l M8 X 1.25, Ss	2
▲	29 370100	(007000-) Knob, 4-Prong W/.31-18, Insert	2
▲	30 04414	(007000-) Washer, 0.53b 1.88d .12, Stl, Pl	2
▲	31 387433	(007000-) Ring, Mtg, Sqge, .50l	2
▲	32 387500	(007000-) Spring, Cmpr, .87od .042wir 2.0l	2
▲	33 387448	(007000-) Bumper, Poly-E	1
▲	34 387438	(007000-) Bumper, Poly-E	1
▲	35 387257	(000000-) Blade, Sqge, Front, Mp1000, Tile	1

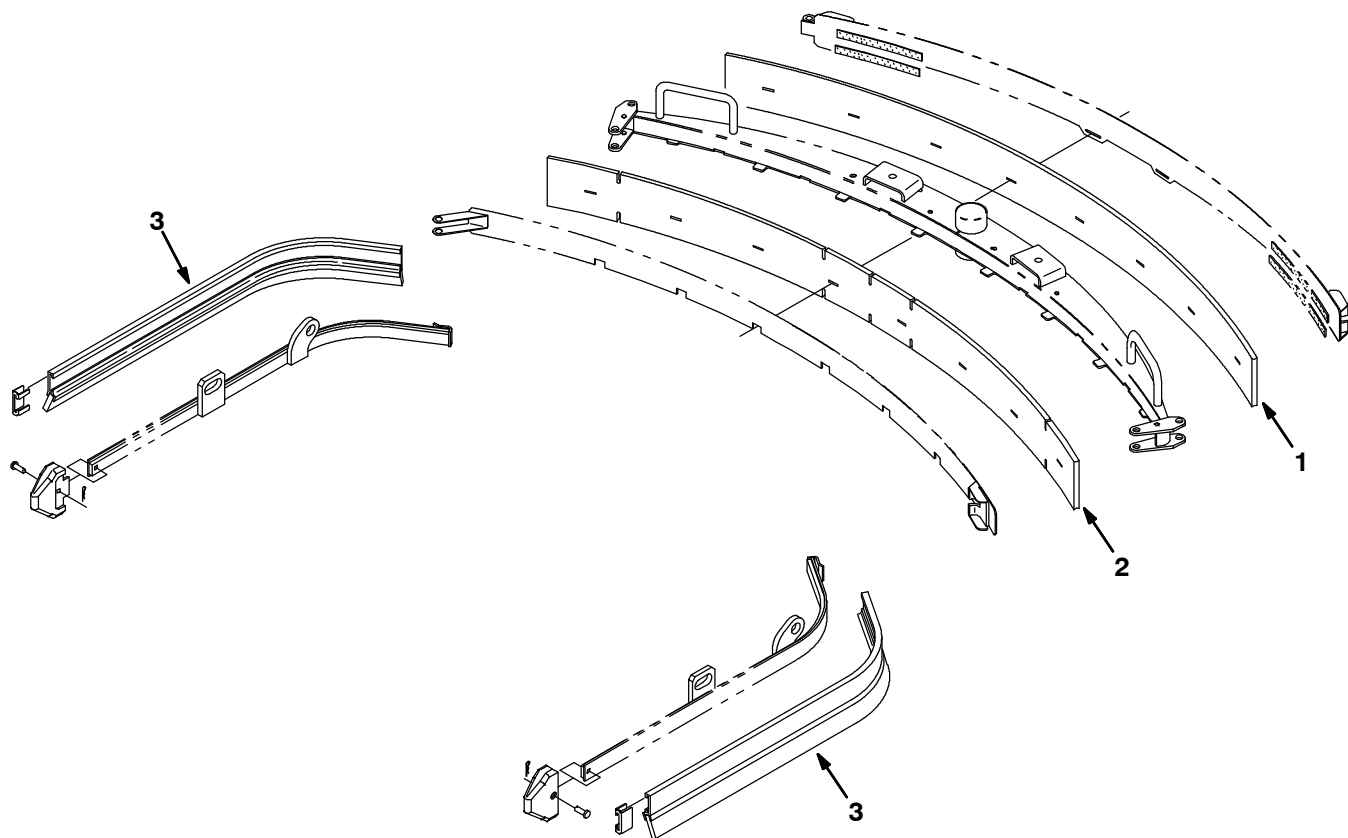
Fig. 63 - Max Pro 1000 Urethane Squeegee Kit



354351

Ref.	Tennant Part No.	Machine Serial Number	Description	Qty.
▽	9001397	(000000-) Blade Kit, Sqge, Ure, [Mp1000]	1
▲	1 1022564	(000000-) Blade, Sqge, Rear	1
▲	2 1022565	(000000-) Blade, Sqge, Front	1
▲	3 1019344	(000000-) Squeegee, Side, Ure, [7300/830]	2

Fig. 64 - Max Pro 1200 Urethane Squeegee Kit



354351

	Ref.	Tennant Part No.	Machine Serial Number	Description	Qty.
▽		9001398	(000000-) Blade Kit, Sqge, Ure, [Mp1200]	1
▲	1	1022558	(000000-) Blade, Sqge, Rear	1
▲	2	1022465	(000000-) Blade, Sqge, Front	1
▲	3	1019344	(000000-) Squeegee, Side, Ure, [7300/830]	2

Fig. 65 - Battery Rollout Kit

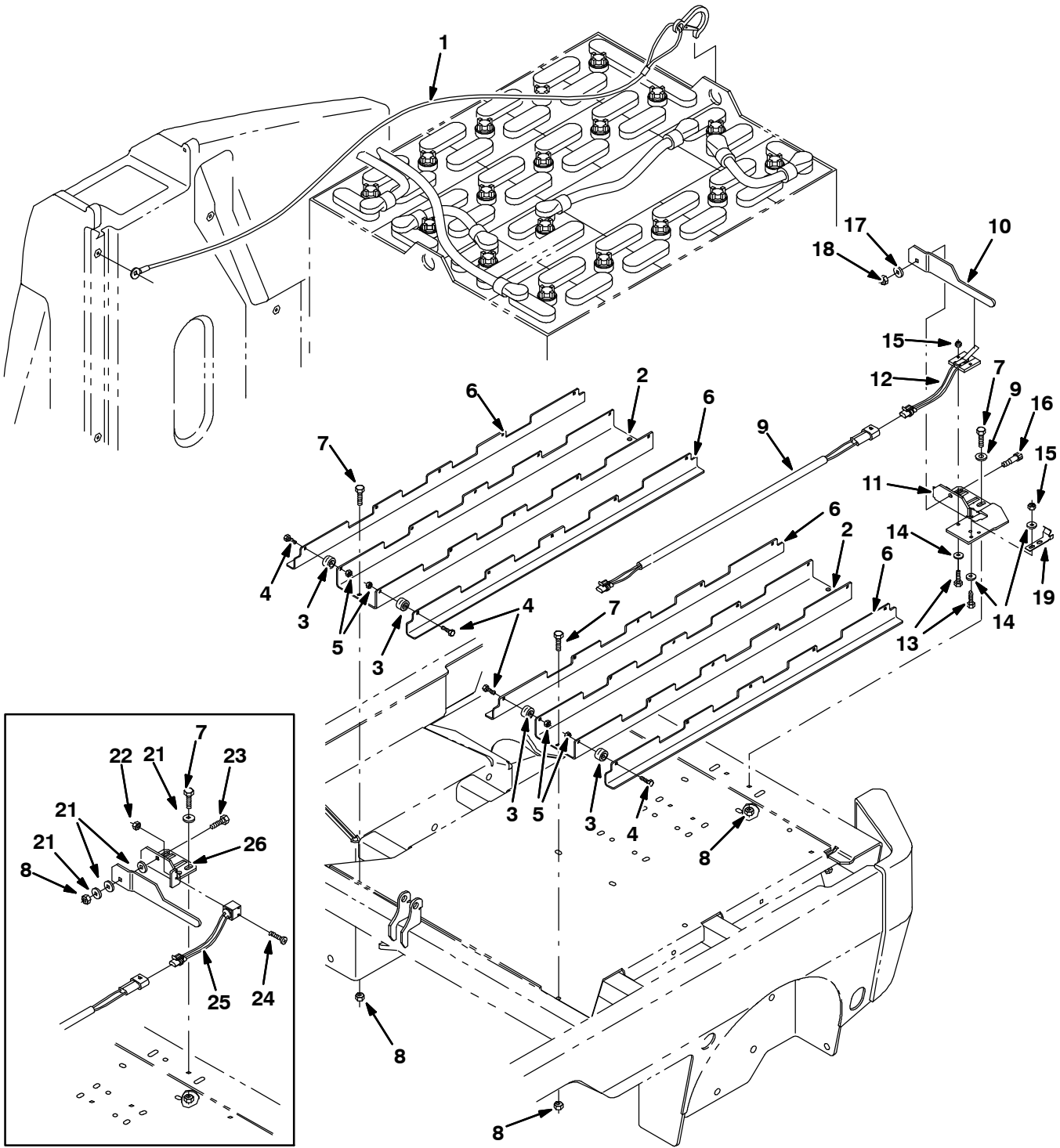


Fig. 65 - Battery Rollout Kit

Ref.	Tennant Part No.	Machine Serial Number	Description	Qty.
▽	387043	(000000-) Kit, Ci, Battery, Rollout	1
▲	1 386968	(000000-) Cable, Safety, Battery	1
▲	2 1056916	(000000-) Channel, Battery, R/O, Iron Gray	2
▲	3 369415	(000000-) Bearing, Needle, 0.25b 0.88d 0.50w	20
▲	4 07805	(000000-) Screw, Hex, M06 X 1.0 X 35, Ss	20
▲	5 08712	(000000-) Nut, Hex, Lock, M06 X 1.0, NI, Ss	20
▲	6 1056915	(000000-) Angle, Battery, R/O, Iron Gray	4
▲	7 09740	(000000-) Screw, Hex, M08 X 1.25 X 20, Ss	6
▲	8 08713	(000000-) Nut, Hex, Lock, M08 X 1.25,NI, Ss	6
▲	9 386607	(000000-) Harness, Battery, Rollout [7300/8300]	1
▲	10 1057644	(000000-) Bar Wldt, Battery, R/O	1
▲	11 1056940	(003685-) Stop Wldt, Iron Gray	1
▲	12 377341	(003685-) Switch, Limit, No	1
▲	13 24199	(003685-) Screw, Hex, M5 X 0.8 X 16, Ss	4
▲	14 01683	(003685-) Washer, Flat, #10 Ss	6
▲	15 09739	(003685-) Nut, Hex, Lock, M 5 X 0,8, NI, Ss	4
▲	16 02129	(003685-) Bolt, Shld, .38DX0.38, .31-18	1
▲	17 39349	(003685-) Washer, Flat, 0.31 Sae	1
▲	18 01760	(003685-) Nut, Hex, Lock, .31-18, NI, Thin	1
▲	19 1007107	(003685-) Latch, Handle	1
▲	20 01685	(003685-) Washer, Flat, 0.31 Ss	2
	21 01685	(000000-003684) Washer, Flt, .31 Ss	5
	22 33932	(000000-003684) Nut, Hex, Lock, M 4 X 0.7, NI Ss	5
	23 09023	(000000-003684) Screw, Hex, M08 X 1.25 X 35, Ss	1
	24 09198	(000000-003684) Screw, Pan, M04 X 0.7 X 35, Ss	2
	25 387027	(000000-003684) Switch, No (Replaced by 398454)	1
	26 387441	(000000-003684) Stop Wldt (Replaced by 398454)	1

Fig. 66 - Battery Forklift Kit

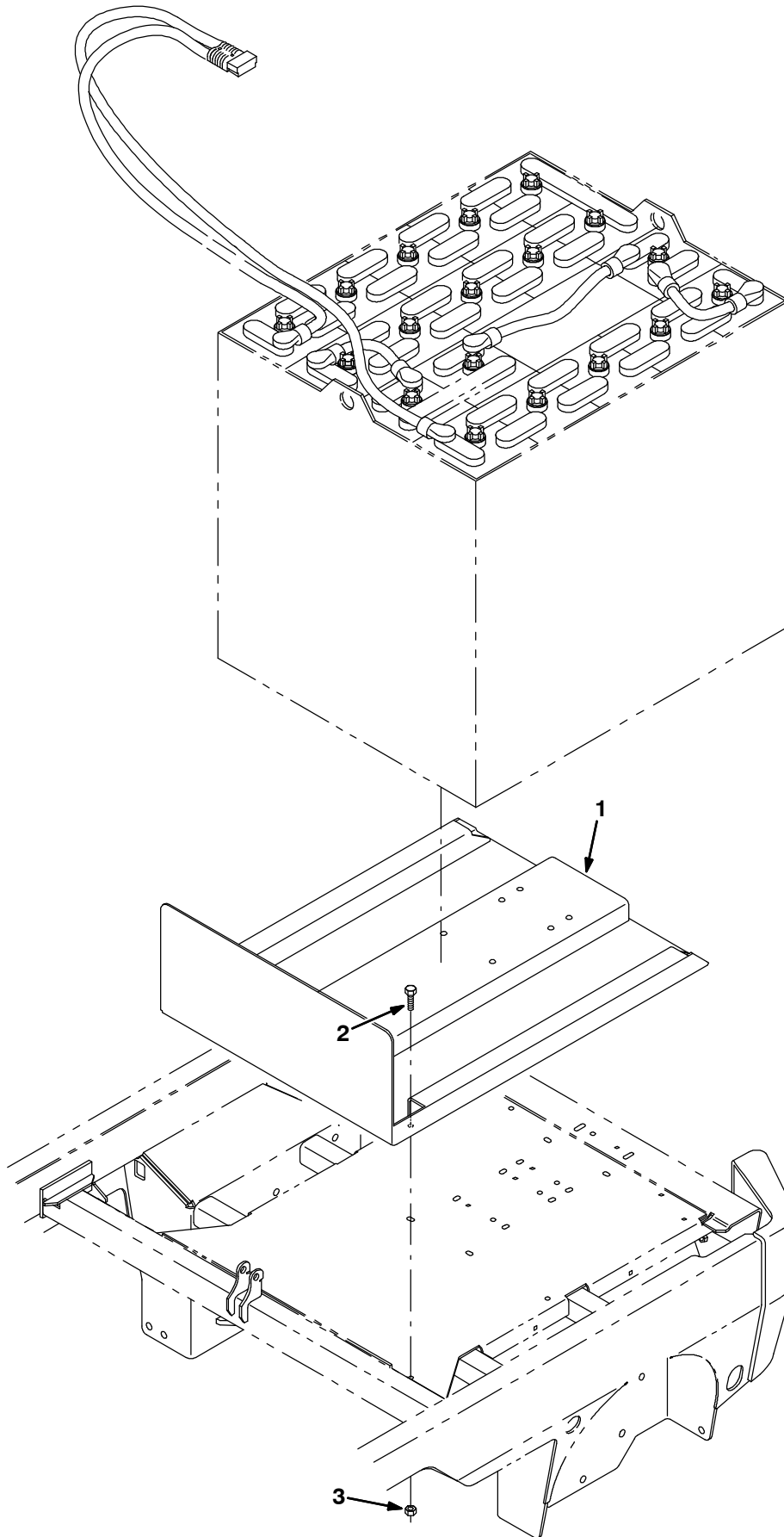


Fig. 66 - Battery Forklift Kit

	Ref.	Tennant Part No.	Machine Serial Number	Description	Qty.
▽		387000	(000000-) Kit, Ci, Fork Lift, Battery	1
▲	1	1056883	(000000-) Cradle Wldt, Battery, Iron Gray	1
▲	2	09740	(000000-) Screw, Hex, M08 X 1.25 X 20, Ss	4
▲	3	08713	(000000-) Nut, Hex, Lock, M08 X 1.25,NI, Ss	4

Fig. 67 - Battery Kit, 500AH Wet

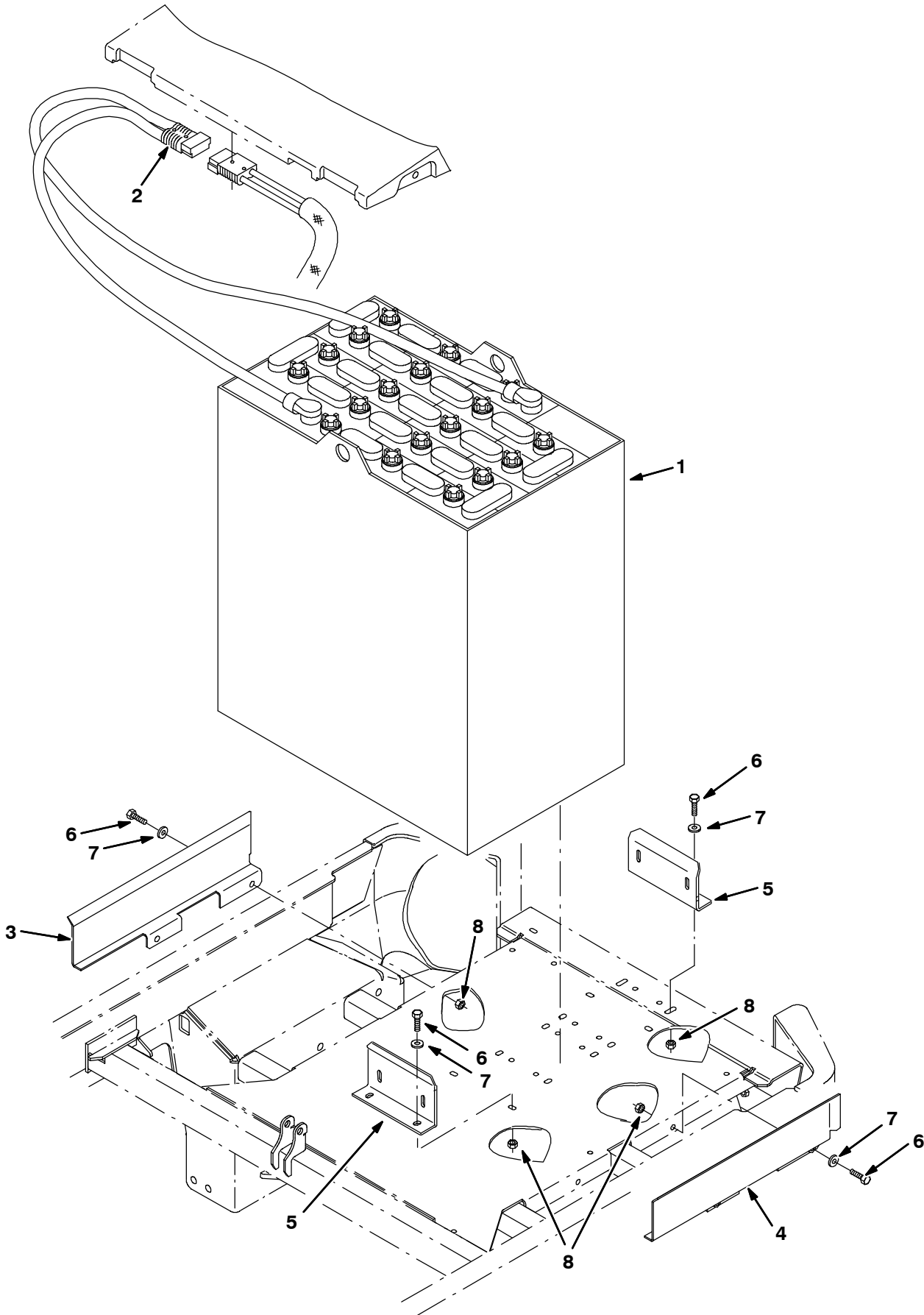


Fig. 67 - Battery Kit, 500AH Wet

	Ref.	Tennant Part No.	Machine Serial Number	Description	Qty.
▽		386932	(000000-) Battery Kit, Wet, 36vdc 0500ah, Ci	1
▲▽	1	386335	(000000-) Battery, Wet, 36vdc 0500ah	1
▲▲	2	01726	(000000-) Connector, 350a, Gray [Anderson]	1
▲	3	1056895	(000000-) Spacer, Battery, Rh, Iron Gray	1
▲	4	1056896	(000000-) Spacer, Battery, Lh, Iron Gray	1
▲	5	1056878	(000000-) Spacer, Battery, Rear, Iron Gray	2
▲	6	09740	(000000-) Screw, Hex, M8 X 1.25 X 20, Ss	8
▲	7	01685	(000000-) Washer, Flat, 0.38b 0.88d .08, Ss	8
▲	8	08713	(000000-) Nut, Hex, Lock, M8 X 1.25, NI, Ss	8

Fig. 68 - Battery Kit, 600AH (000000-006999)

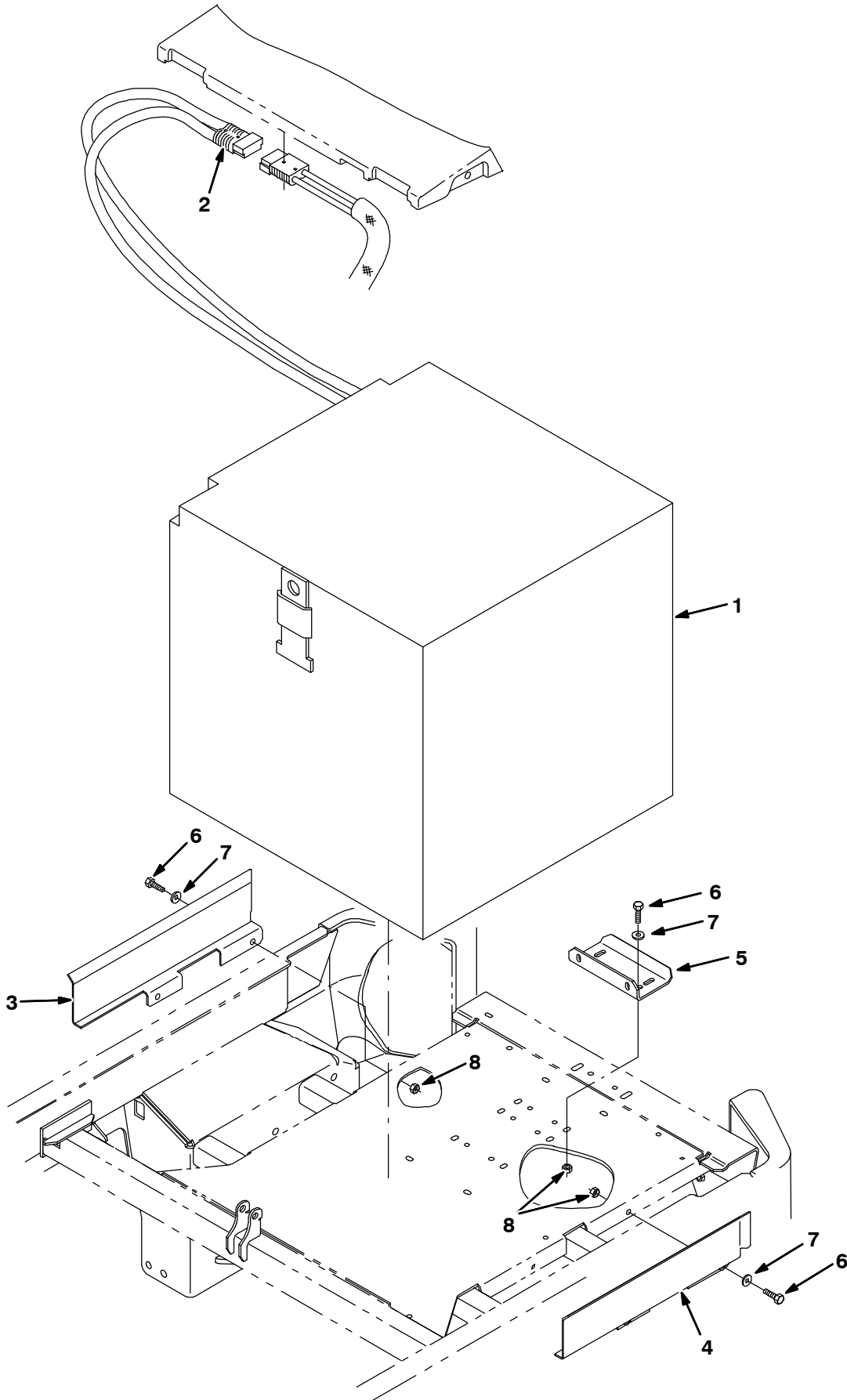


Fig. 68 - Battery Kit, 600AH (000000-006999)

	Ref.	Tennant Part No.	Machine Serial Number	Description	Qty.
▽		386934	(000000-006999)	Kit, Ci, Battery, 36vdc, 600ah, Sealed	1
▲▽	1	386334	(000000-006999)	Battery, 36vdc, 600ah, Sealed	1
▲▲	2	01726	(000000-006999)	Connector, Anderson, 350A, Gray	1
▲	3	386573	(000000-006999)	Spacer, Battery, Rh	1
▲	4	386574	(000000-006999)	Spacer, Battery, Lh	1
▲	5	1056878	(000000-006999)	Spacer, Battery, Rear, Iron Gray	1
▲	6	09740	(000000-006999)	Screw, Hex, M08 X 1.25 X 20, Ss	6
▲	7	01685	(000000-006999)	Washer, Flt, .31 Ss	6
▲	8	08713	(000000-006999)	Nut, Hex, Lock, M08 X 1.25,NI, Ss	6

Fig. 69 - Battery Kit, 600AH (007000-)

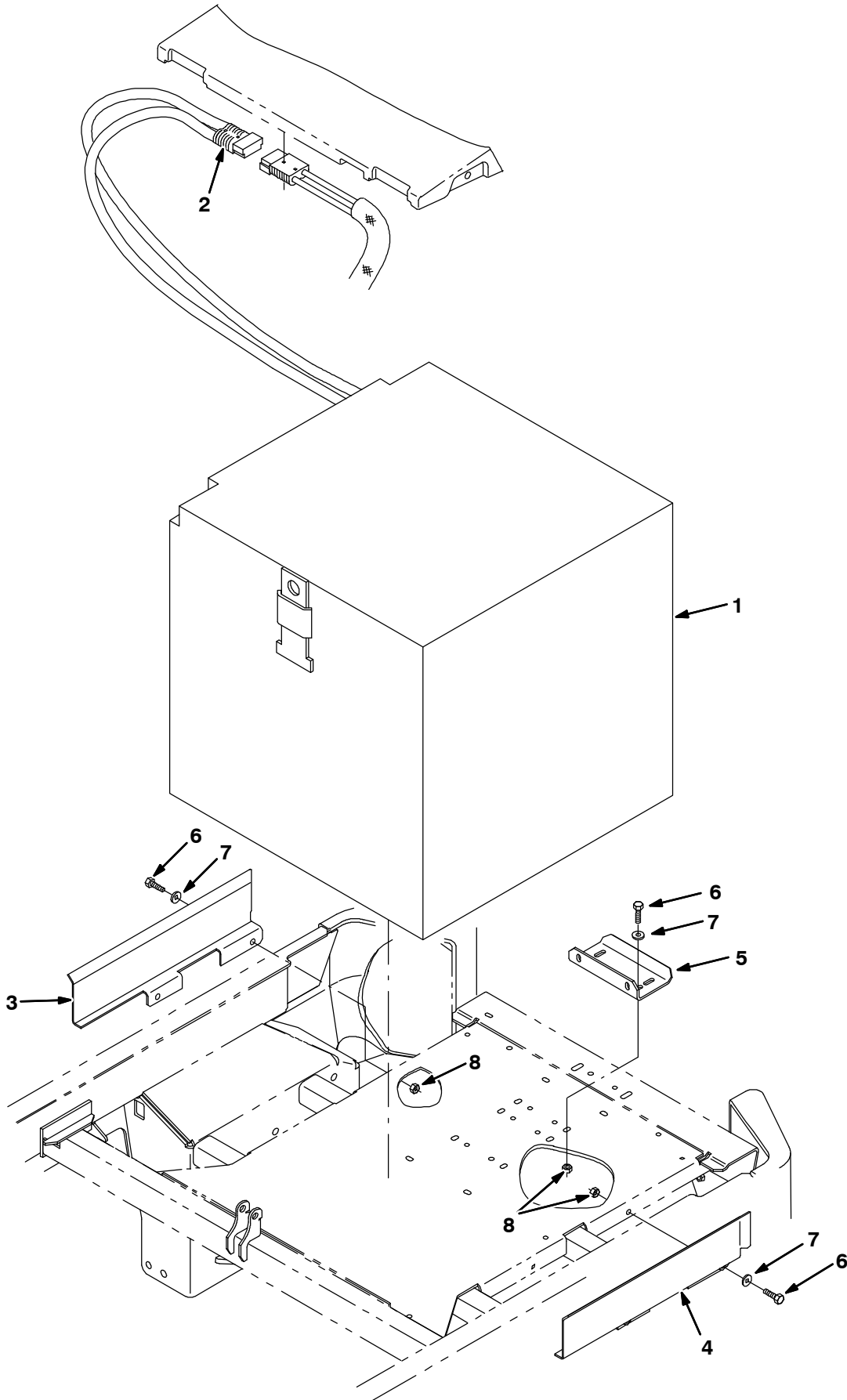


Fig. 69 - Battery Kit, 600AH (007000-)

	Tennant	Machine			
Ref.	Part No.	Serial Number	Description	Qty.	
▽	9006938	(000000-007000)	Battery Kit, 36vdc 0600ah, Sealed, Ci	1	
▲▽	1 386334	(000000-007000)	Battery, 36vdc, 600ah, Sealed	1	
▲▲	2 01726	(000000-007000)	Connector, Anderson, 350A, Gray	1	
▲	3 1056787	(000000-007000)	Spacer, Battery, Rh, Iron Gray	1	
▲	4 1056788	(000000-007000)	Spacer, Battery, Lh, Iron Gray	1	
▲	5 1056878	(000000-007000)	Spacer, Battery, Rear, Iron Gray	1	
▲	6 09740	(000000-007000)	Screw, Hex, M08 X 1.25 X 20, Ss	6	
▲	7 01685	(000000-007000)	Washer, Flt, .31 Ss	6	
▲	8 08713	(000000-007000)	Nut, Hex, Lock, M08 X 1.25,NI, Ss	6	

Fig. 70 - Battery Kit, 750AH Wet

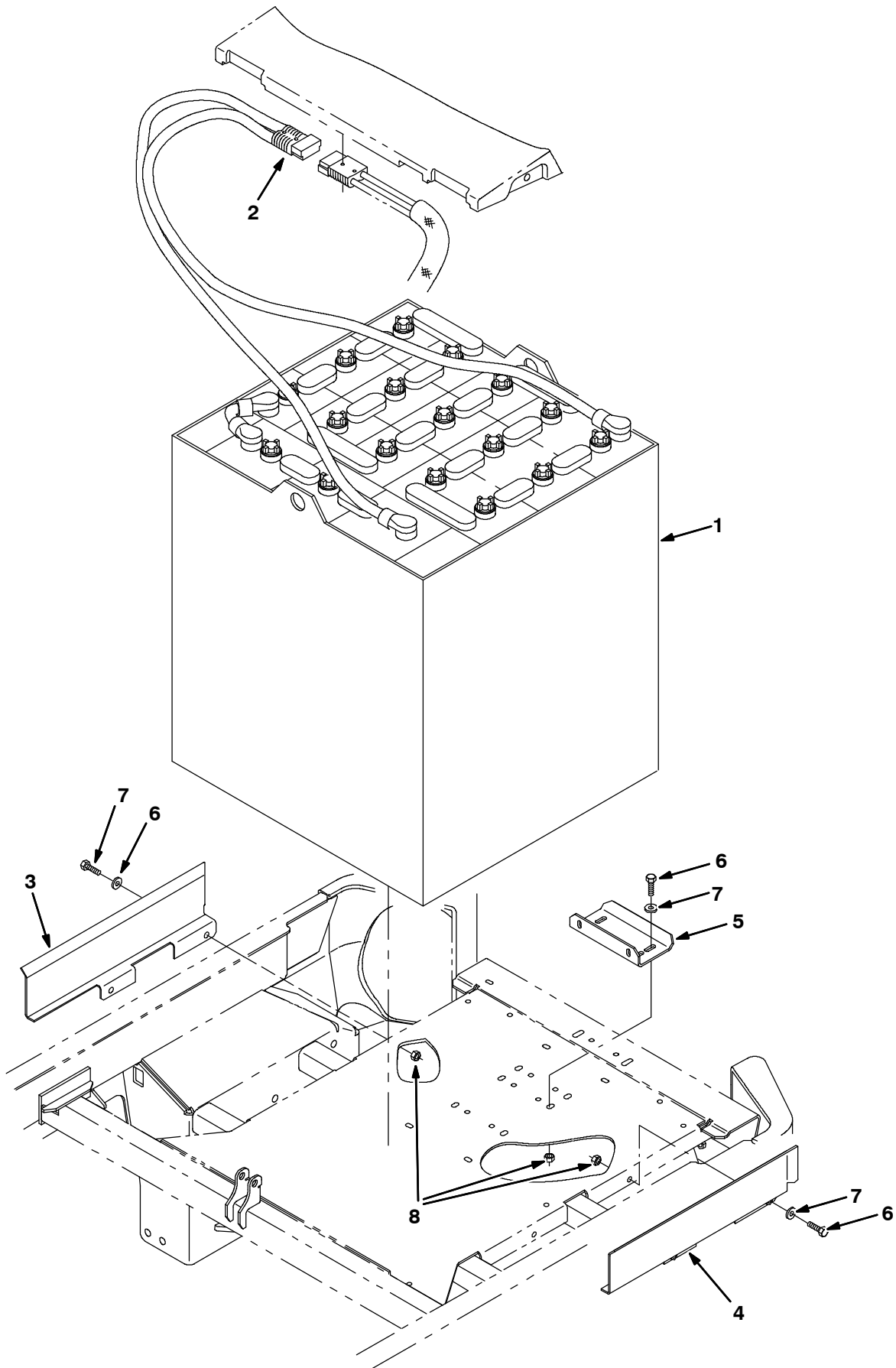


Fig. 70 - Battery Kit, 750AH Wet

	Ref.	Tennant Part No.	Machine Serial Number	Description	Qty.
▽		386936	(000000-) Kit, Ci, Battery, 36vdc, 750ah, Wet	1
▲▽	1	1018515	(000000-) Battery, Wet, 36vdc 0750ah	1
▲▲	2	01726	(000000-) Connector, 350a, Gray [Anderson]	1
▲	3	1056895	(000000-) Spacer, Battery, Rh, Iron Gray	1
▲	4	1056896	(000000-) Spacer, Battery, Lh, Iron Gray	1
▲	5	1056878	(000000-) Spacer, Battery, Rear, Iron Gray	1
▲	6	09740	(000000-) Screw, Hex, M8 X 1.25 X 20, Ss	6
▲	7	01685	(000000-) Washer, Flat, 0.38b 0.88d .08, Ss	6
▲	8	08713	(000000-) Nut, Hex, Lock, M8 X 1.25, NI, Ss	6

Fig. 71 - Battery Kit, 1000AH Wet (000000-006999)

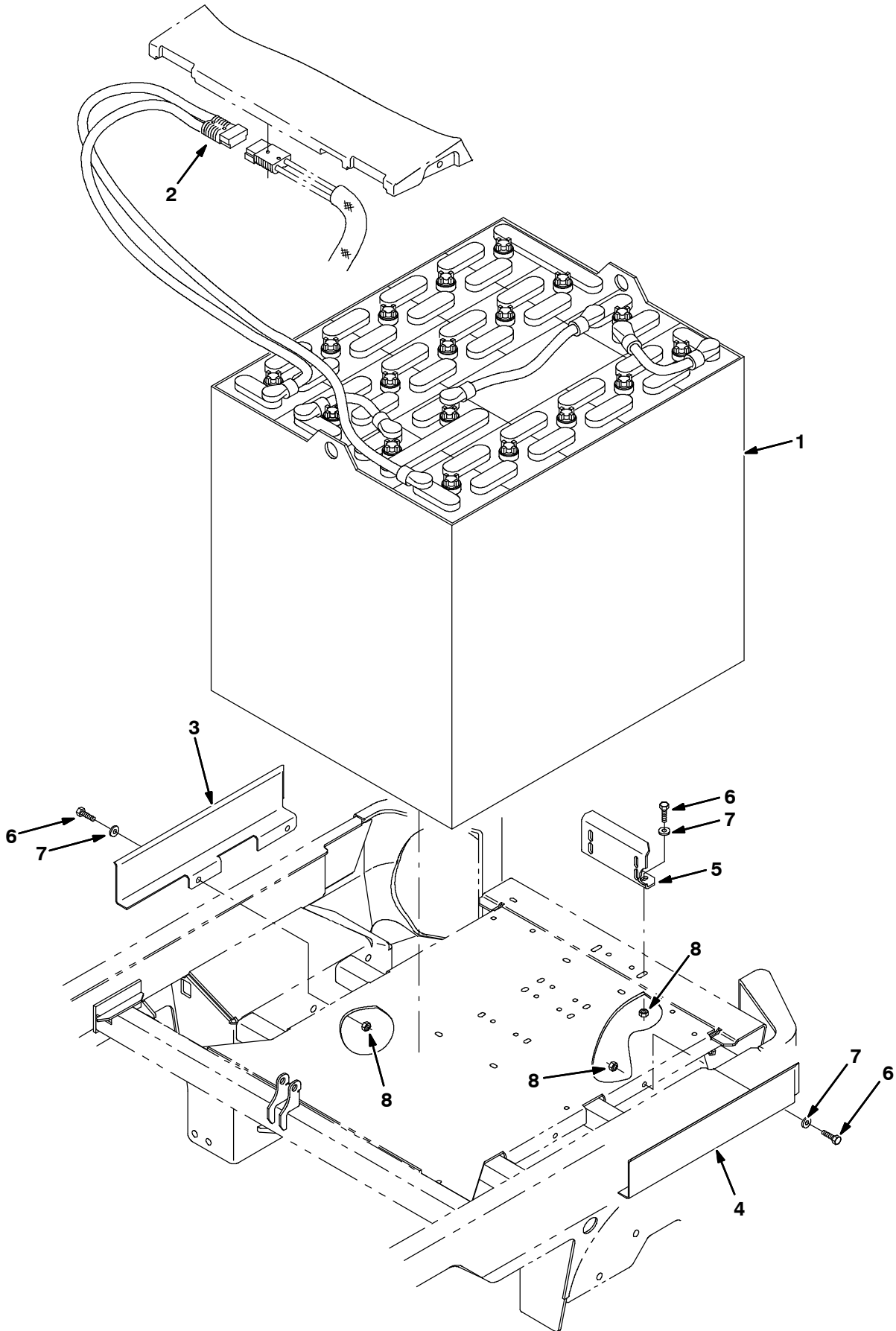


Fig. 71 - Battery Kit, 1000AH Wet (000000-006999)

	Ref.	Tennant Part No.	Machine Serial Number	Description	Qty.
▽		386939	(000000-006999)	Kit, Ci, Battery, 36vdc, 1000Ah, Wet	1
▲▽	1	386337	(000000-006999)	Battery, 36vdc 1000Ah Wet	1
▲▲	2	01726	(000000-006999)	Connector, Anderson, 350A, Gray	1
▲	3	386677	(000000-006999)	Spacer, Battery, Rh	1
▲	4	386678	(000000-006999)	Spacer, Battery, Lh	1
▲	5	386575	(000000-006999)	Spacer, Battery, Rear	1
▲	6	09740	(000000-006999)	Screw, Hex, M8 X 1.25 X 20, Ss	6
▲	7	01685	(000000-006999)	Washer, Flat, 0.38b 0.88d .08, Ss	6
▲	8	08713	(000000-006999)	Nut, Hex, Lock, M8 X 1.25, NI, Ss	6

Fig. 72 - Battery Kit, 1000AH Wet (007000-)

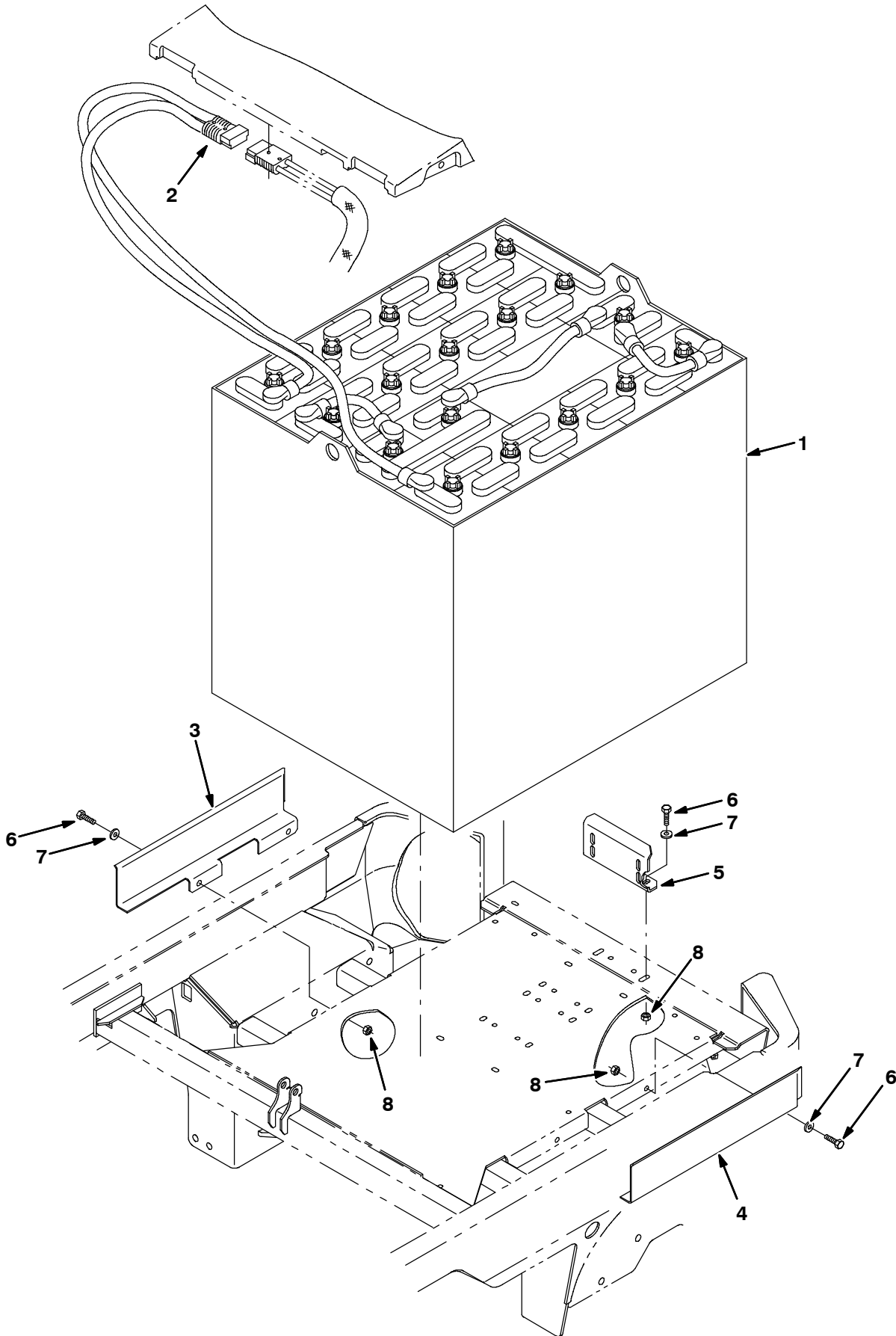
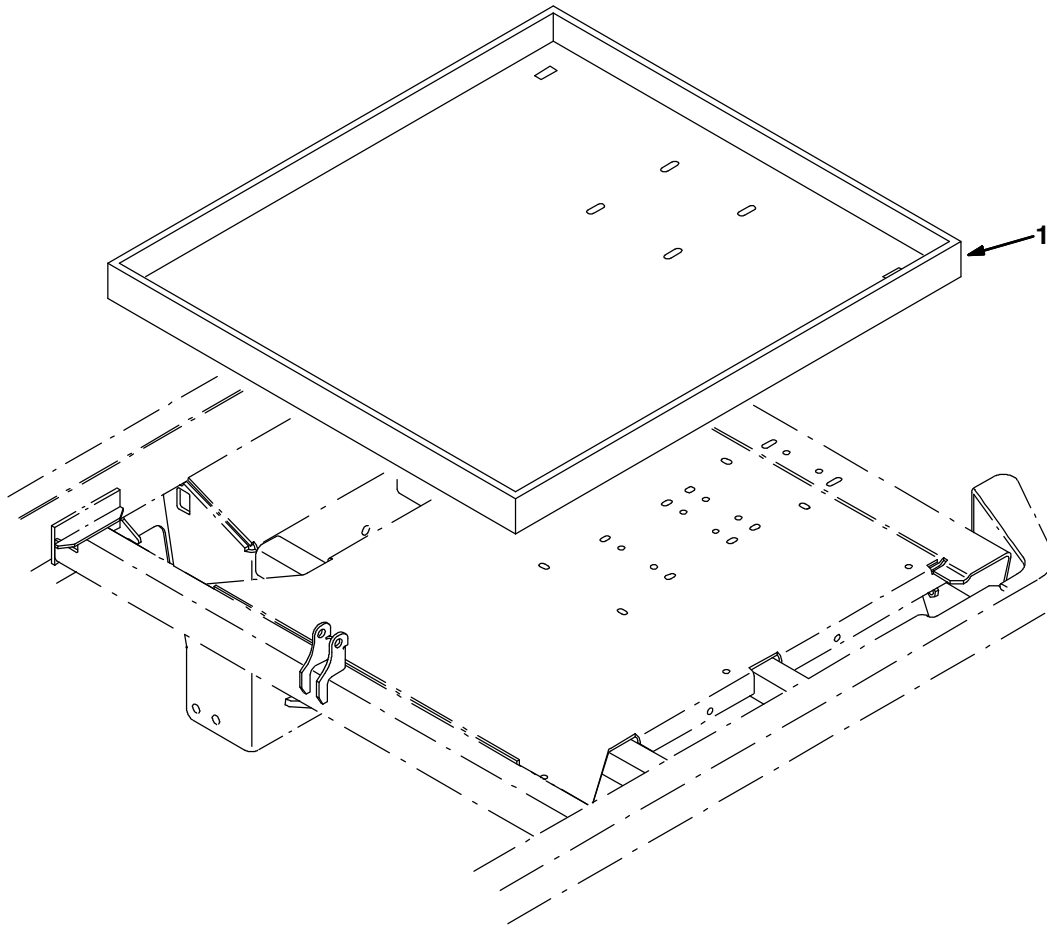


Fig. 72 - Battery Kit, 1000AH Wet (007000-)

	Tenant	Machine			
Ref.	Part No.	Serial Number	Description		Qty.
▽	9006939	(000000-006999)	Battery Kit, 36vdc 1000ah, Wet, Gray, Ci		1
▲▽	1 386337	(000000-006999)	Battery, 36vdc 1000Ah Wet		1
▲▲	2 01726	(000000-006999)	Connector, Anderson, 350A, Gray		1
▲	3 1056791	(000000-006999)	Spacer, Battery, Rh, Iron Gray		1
▲	4 1056790	(000000-006999)	Spacer, Battery, Lh, Iron Gray		1
▲	5 1056878	(000000-006999)	Spacer, Battery, Rear, Iron Gray		1
▲	6 09740	(000000-006999)	Screw, Hex, M8 X 1.25 X 20, Ss		6
▲	7 01685	(000000-006999)	Washer, Flat, 0.38b 0.88d .08, Ss		6
▲	8 08713	(000000-006999)	Nut, Hex, Lock, M8 X 1.25, NI, Ss		6

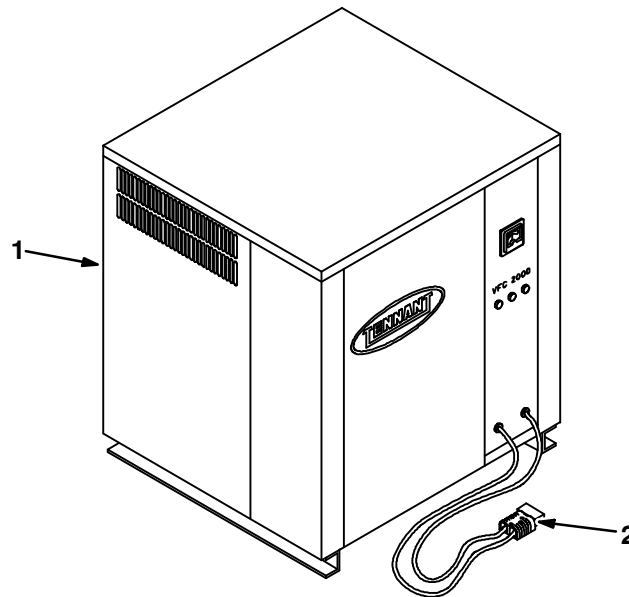
Fig. 73 - Battery Tray Group



356239 - NA

Ref.	Tenant Part No.	Machine Serial Number	Description	Qty.
	387622	(000000-) Tray Wldt, Battery, 500Ah, 750Ah	1

Fig. 74 - Battery Charger Group, 120A, 36V, 60Hz 1Ph (500Ah Batteries)



06051 - NA

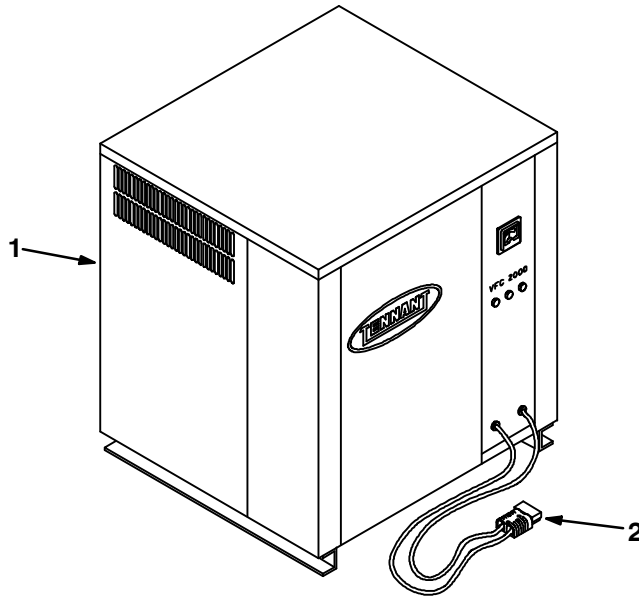
	Ref.	Tennant Part No.	Machine Serial Number	Description	Qty.
▽	1	398285	(000000-) Charger, 36V/120A 60H/1Ph 480V	1
▲	2	01726	(000000-) Connector, Andersn 350A,Gray	1

INTERNATIONAL ONLY

▽	1	363262	(000000-) Charger, 380AH, 75A, 1PH, 50Hz	1
▲	2	01726	(000000-) Connector, Anderson, 350A, Gray	1
▽	1	363263	(000000-) Charger, 380AH, 75A, 3PH, 50Hz	1
▲	2	01726	(000000-) Connector, Anderson, 350A, Gray	1
▽	1	398316	(000000-) Charger, 500AH, 120A, 1PH, 50Hz	1
▲	2	01726	(000000-) Connector, Anderson, 350A, Gray	1
▽	1	398289	(000000-) Charger, 500AH, 120A, 3PH, 50Hz	1
▲	2	01726	(000000-) Connector, Anderson, 350A, Gray	1

OPTIONS

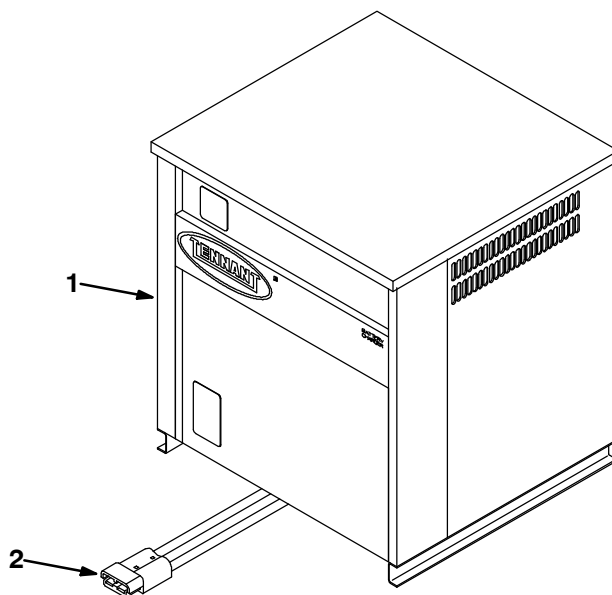
Fig. 75 - Battery Charger Group, 120A, 36V, 60Hz 3Ph (500Ah Batteries)



06051 - NA

	Ref.	Tennant Part No.	Machine Serial Number	Description	Qty.
▽	1	398288	(000000-) Charger, 36V/120A 60H/3Ph 480V	1
▲	2	01726	(000000-) Connector, Andersn 350A, Gray	1

Fig. 76 - Battery Charger Group, 150A, 36V, 60Hz (750Ah Batteries)

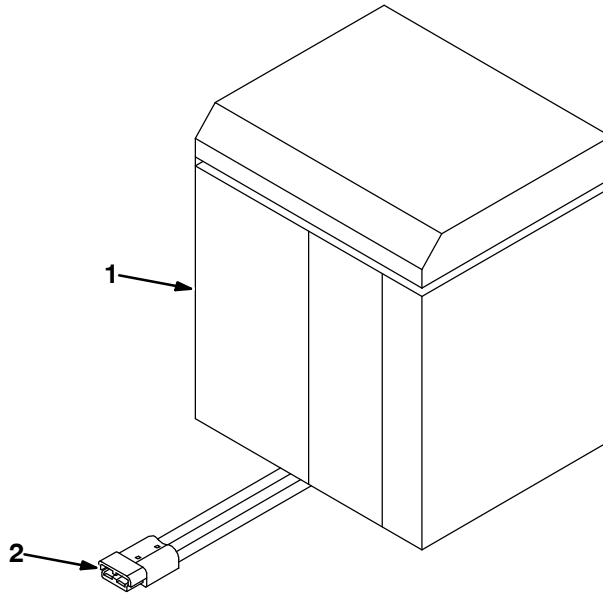


353369 - NA

	Ref.	Tennant Part No.	Machine Serial Number	Description	Qty.
▽	1	398292	(000000-) Charger, 36V/150A 60Hz	1
▲	2	01726	(000000-) Connector, Anderson, 350A, Gray	1

OPTIONS

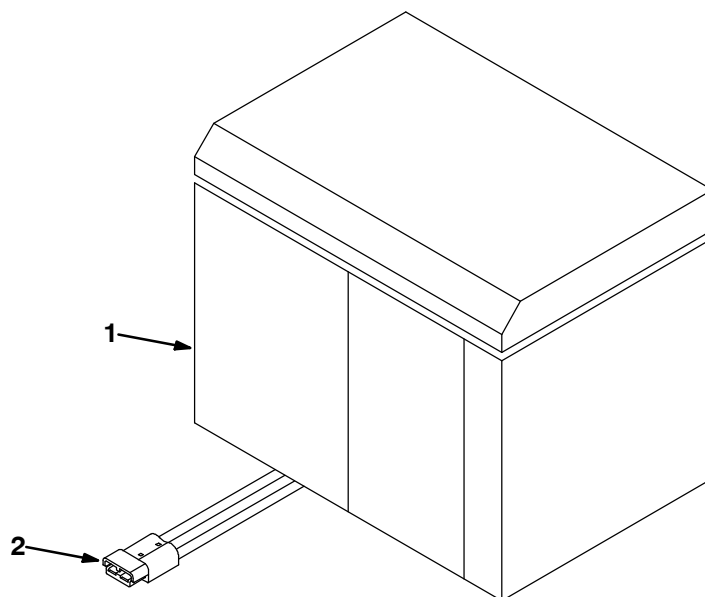
Fig. 77 - Battery Charger Group, 93A, 36V, 60Hz 1Ph (600Ah Batteries)



353369 - NA

	Ref.	Tennant Part No.	Machine Serial Number	Description	Qty.
▽	1	386338	(000000-)	Charger, 36V/93A 60Hz, 1Ph, Sealed	1
▲	2	01726	(000000-)	Connector, Anderson, 350A, Gray	1

Fig. 78 - Battery Charger Group, 93A, 36V, 60Hz 3Ph (600Ah Batteries)

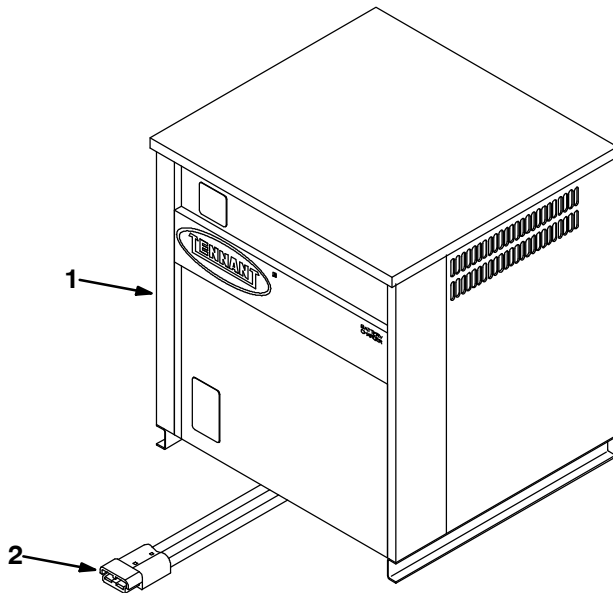


353369 - NA

	Ref.	Tennant Part No.	Machine Serial Number	Description	Qty.
▽	1	386344	(000000-) Charger, 36V/93A 60Hz, 3Ph, Sealed	1
▲	2	01726	(000000-) Connector, Anderson, 350A, Gray	1

OPTIONS

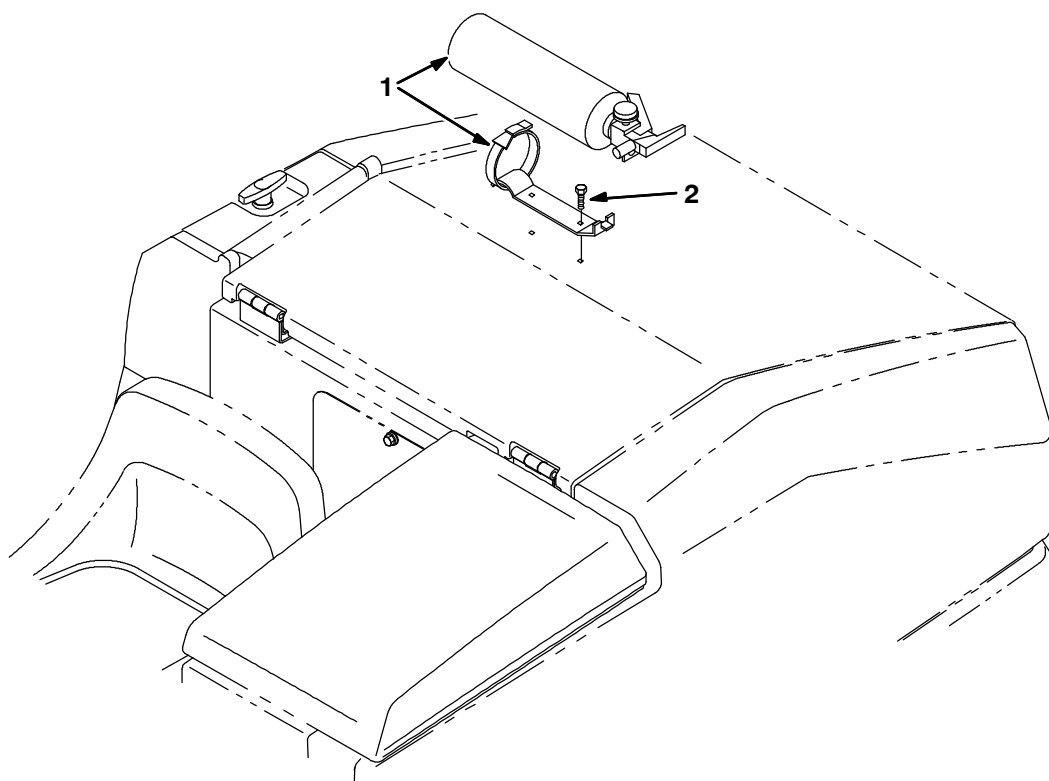
Fig. 79 - Battery Charger Group, 210A, 36V, 60Hz, 3Ph (1000 Ah Batteries)



353369 - 8300, NA

	Ref.	Tennant Part No.	Machine Serial Number	Description	Qty.
▽	1	398291	(000000-) Charger, 36V, 210A, 60Hz, 3Ph	1
▲	2	01726	(000000-) Connector, Anderson, 350A, Gray	1

Fig. 80 - Fire Extinguisher Kit



353282 - NA

Ref.	Tennant Part No.	Machine Serial Number	Description	Qty.
▽	387457	(000000-) Kit, Cl, Extinguisher, Fire, [7300/8300]	1
▲▽	1 25312	(000000-) Extinguisher, Fire	1
▲▲	2 360973	(000000-) Screw, Pan, #12-16 x 0.50, F/Plstc	2

Fig. 81 - Documentation Group

07501 - 8300, NA

Ref.	Tennant Part No.	Machine Serial Number	Description	Qty.
	330630	(000000-) Manual Pkg, (8300 Ele Na)	1
	330631	(000000-) Manual, Fiche, (8300 Ele)	1
	330635	(000000-) Manual, Service, (8300 Ele Na)	1
	330632	(000000-) Manual, Oprtr, (8300 Ele Es Na)	1
	330633	(000000-) Manual, Oprtr, (8300 Ele Fr Na)	1
	387496	(000000-) Video, Operator, Vhs, Ntsc [8300]	1
	1041885	(000000-) Video, Oprtr, Training, Dvd [8300]	1
	9006257	(000000-) Media, Cd-Rom, Training [ec-H2O TENNANT]	1

SECTION 4

Contents	Page
Fig. 1 - Electric Motor Breakdown, 17363	4-2
Fig. 2 - Electric Motor Breakdown, 398520	4-4
Fig. 3 - Electric Motor Breakdown, 222409	4-6
Fig. 4 - Electric Motor Breakdown, 374201	4-7
Fig. 5 - Electric Motor Breakdown, 383709	4-8
Fig. 6 - Electric Motor Breakdown, 386050	4-9
Fig. 7 - Electric Motor Breakdown, 386679	4-10
Fig. 8 - Electric Motor Breakdown, 386811	4-11
Fig. 9 - Electric Motor Breakdown, 386687	4-12
Fig. 10 - Water Pump Breakdown, 387321	4-13
Fig. 11 - Metering Solution Pump Breakdown, 386364	4-14
Fig. 12 - Hydraulic Powerunit Breakdown, 368704	4-15
Fig. 13 - Hydraulic Motor Breakdown, 386703	4-16
Fig. 14 - Hydraulic Solenoid Valve Breakdown, 386705	4-17
Fig. 15 - Hydraulic Solenoid Valve Breakdown, 1049212	4-18
Fig. 16 - Steering Control Valve Breakdown, 373495	4-19
Fig. 17 - Electric Motor Breakdown, 387585	4-20
Fig. 18 - ec-H2O Solution Pump Breakdown, 1005866	4-21
Fig. 19 - ec-H2O Module Assembly Breakdown, 9006270	4-22
Fig. 20 - FaST Injector Assebmly Breakdown, 1050333	4-24

Fig. 1 - Electric Motor Breakdown, 17363

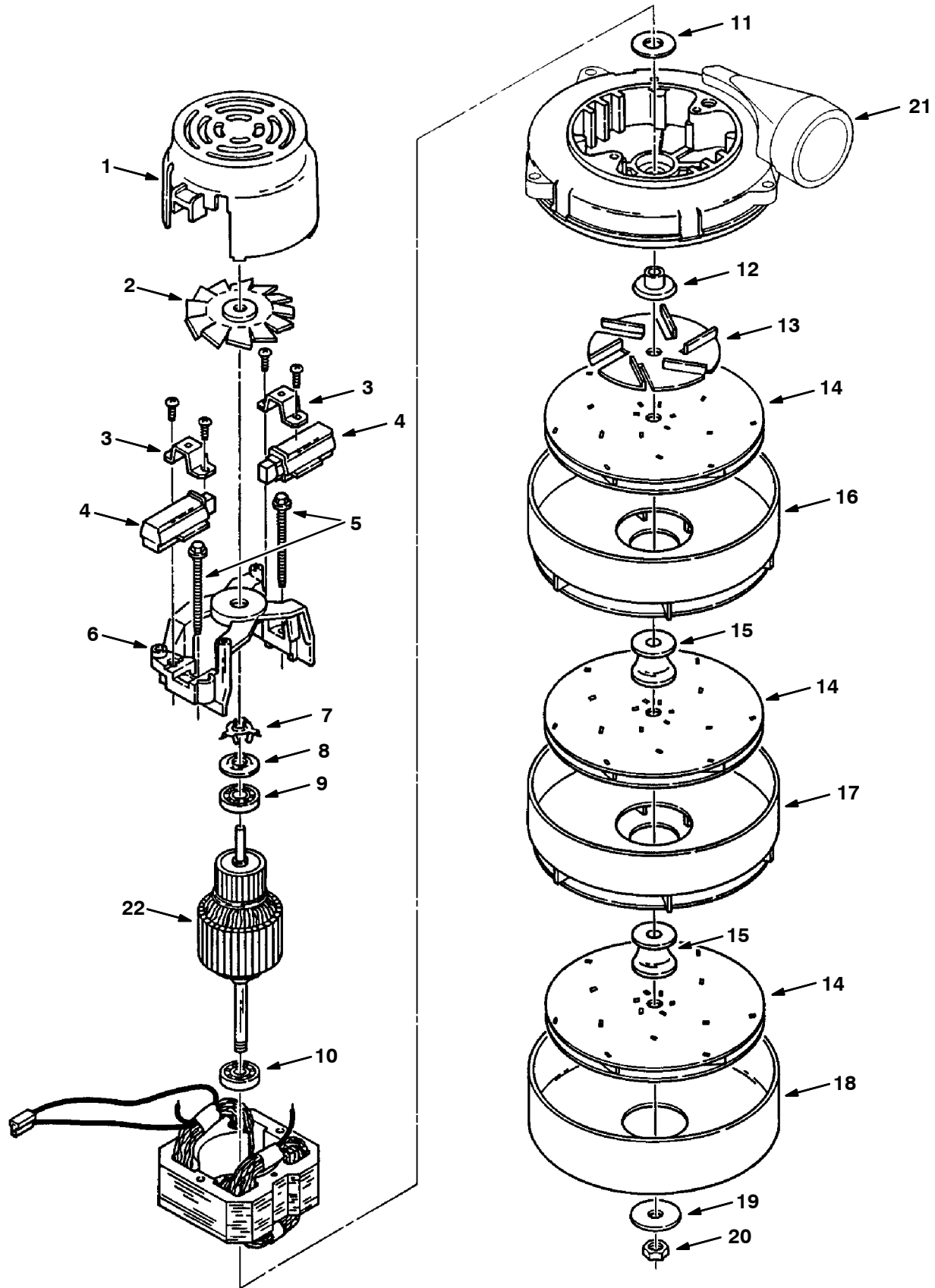


Fig. 1 - Electric Motor Breakdown, 17363

Ref.	Tenant Part No.	Machine Serial Number	Description	Qty.
▽	17363	(000000-) Fan vacuum, 36v	1
▲	1 37926	(000000-) Housing	1
▲	2 61298	(000000-) Fan	1
▲	3 01982	(000000-) Clamp	2
▲	4 11756	(000000-) Brush mechanism	2
▲	5 01969	(000000-) Screw	2
▲	6 01983	(000000-) Comm. bracket	1
▲	7 01856	(000000-) Spring, load	1
▲	8 37909	(000000-) Disc	1
▲	9 01842	(000000-) Bearing	1
▲	10 01837	(000000-) Bearing	1
▲	11 37912	(000000-) Washer, fl neo, 10.8x22x1.5	1
▲	12 18627	(000000-) Spacer	1
▲	13 01971	(000000-) Fan	1
▲	14 18628	(000000-) Fan, rotating	3
▲	15 18630	(000000-) Spacer	2
▲	16 61300	(000000-) Fan, stationary	1
▲	17 61297	(000000-) Fan, stationary	1
▲	18 61301	(000000-) Shell	1
▲	19 378983	(000000-) Washer	1
▲	20 37929	(000000-) Nut	1
▲	10925	(000000-) Connector, 2 conductor	1
▲	10926	(000000-) Terminal, female	2
▲	21 60386	(000000-) Bracket, far End	1
▲	22 21765	(000000-) Armature	1

Fig. 2 - Electric Motor Breakdown, 398520

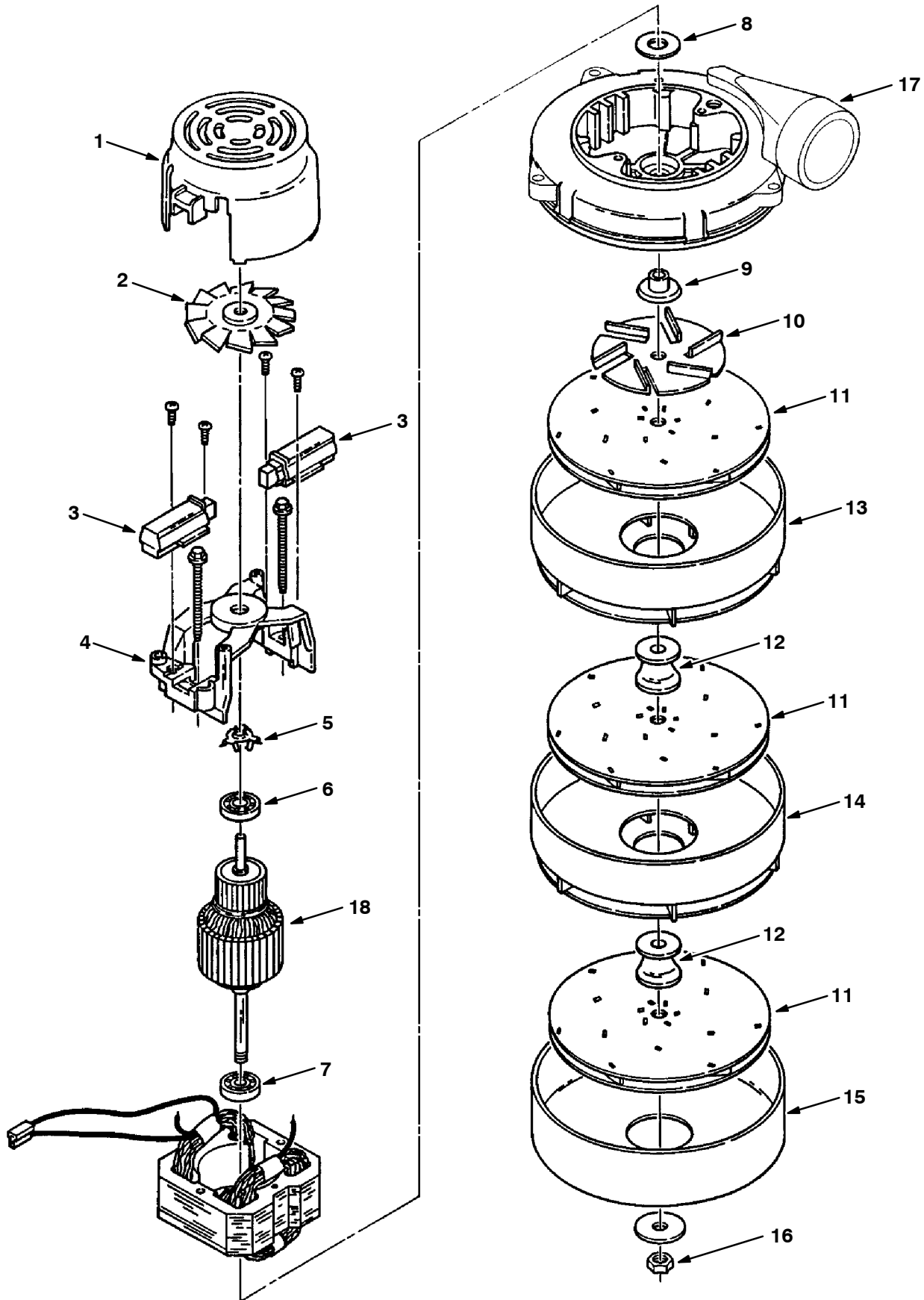
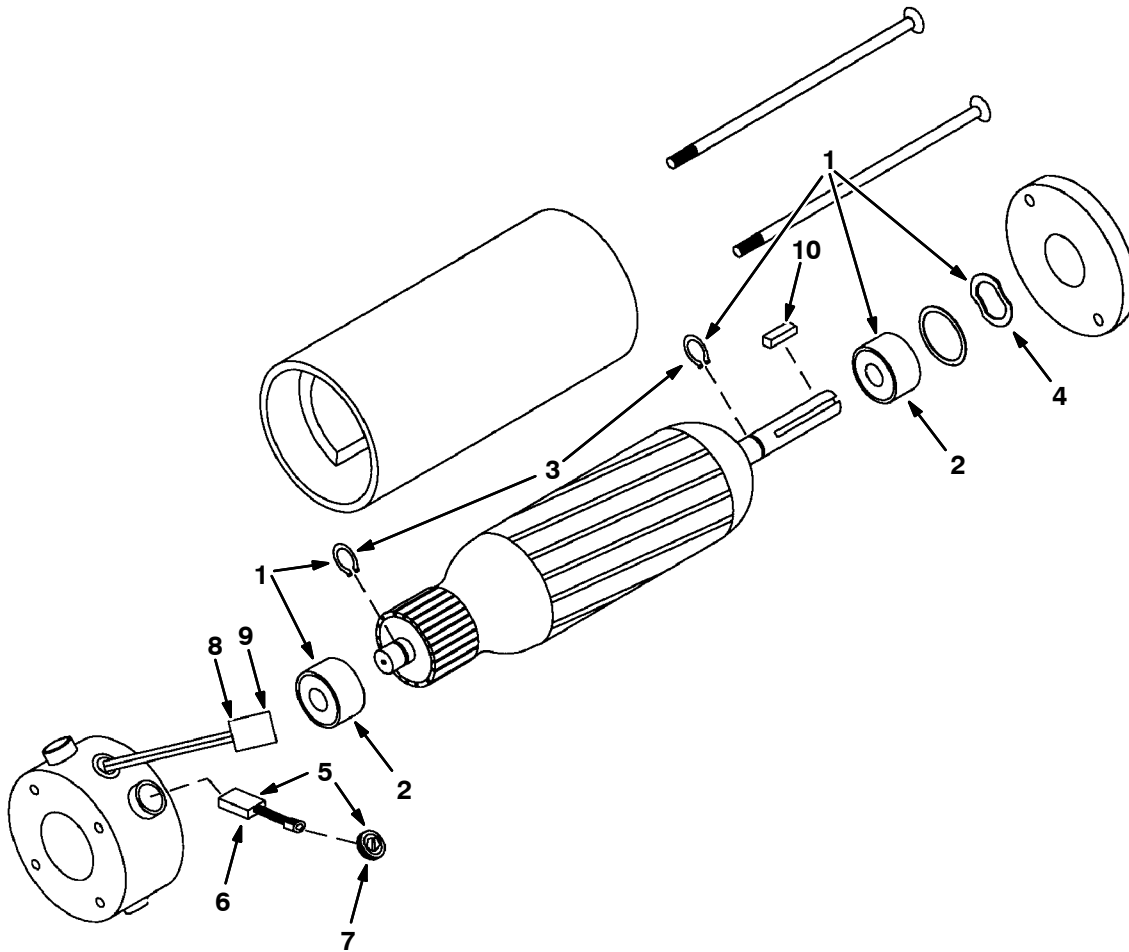


Fig. 2 - Electric Motor Breakdown, 398520

	Ref.	Tenant Part No.	Manufacturer Serial Number	Description	Qty.
▽		398520	(000000-) Fan, Vacuum	1
▲	1	398511	(000000-) Housing	1
▲	2	398512	(000000-) Fan	1
▲	3	398513	(000000-) Brush Mechanism	2
▲	4	398514	(000000-) Comm. Bracket	1
▲	5	01856	(000000-) Spring	1
▲	6	398515	(000000-) Bearing	1
▲	7	01837	(000000-) Bearing	1
▲	8	37912	(000000-) Washer, Neo.	1
▲	9	398516	(000000-) Spacer	1
▲	10	01971	(000000-) Fan	1
▲	11	18628	(000000-) Vacuum Fan	3
▲	12	398517	(000000-) Spacer	2
▲	13	61300	(000000-) Stationary Fan	1
▲	14	61297	(000000-) Stationary Fan	1
▲	15	398518	(000000-) Shell	1
▲	16	37929	(000000-) Nut	1
▲	17	60386	(000000-) Bracket, Fan End	1
▲	18	398519	(000000-) Armature	1
▲		223264	(000000-) Seal, Fan	1
▲		10925	(000000-) Connector, 2 Conductor	1
▲		10926	(000000-) Terminal, Female	2

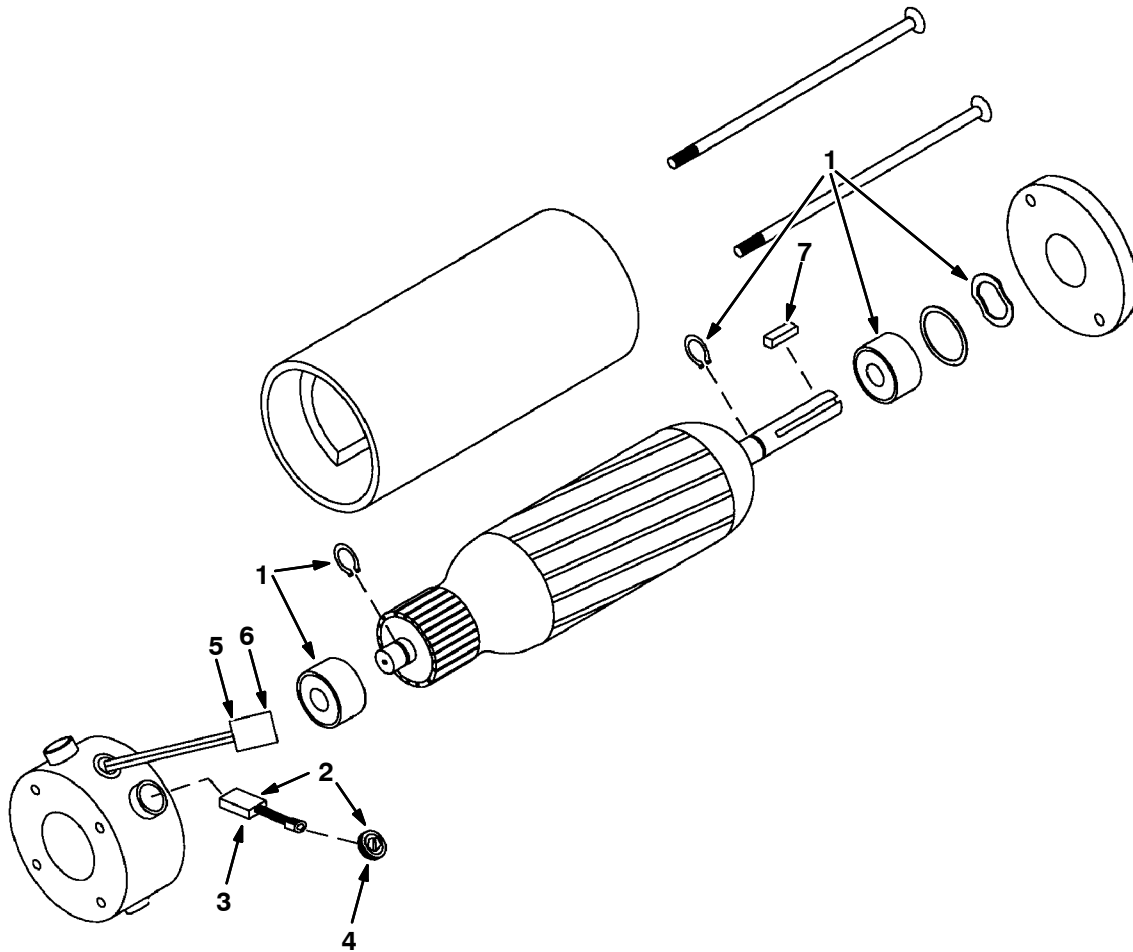
Fig. 3 - Electric Motor Breakdown, 222409



10426

Ref.	Tennant Part No.	Manufacturer Serial Number	Description	Qty.
▽	222409	(000000-) Motor Assy,EE Vac Fan	1
▲▽	1 222623	(000000-) Bearing Kit	1
▲▲	2 222635	(000000-) Bearing	2
▲▲	3 222637	(000000-) Snap Ring	2
▲▲	4 222638	(000000-) Wavy Washer	1
▲▽	5 222625	(000000-) Brush Kit	1
▲▲	6 222627	(000000-) Brush&Spring Assy	4
▲▲	7 222629	(000000-) Brush Holder Cap	4
▲	8 10925	(000000-) Connector, 2 Conductor	1
▲	9 24537	(000000-) Terminal, Female	2
▲	10 00912	(000000-) Key, Square	1

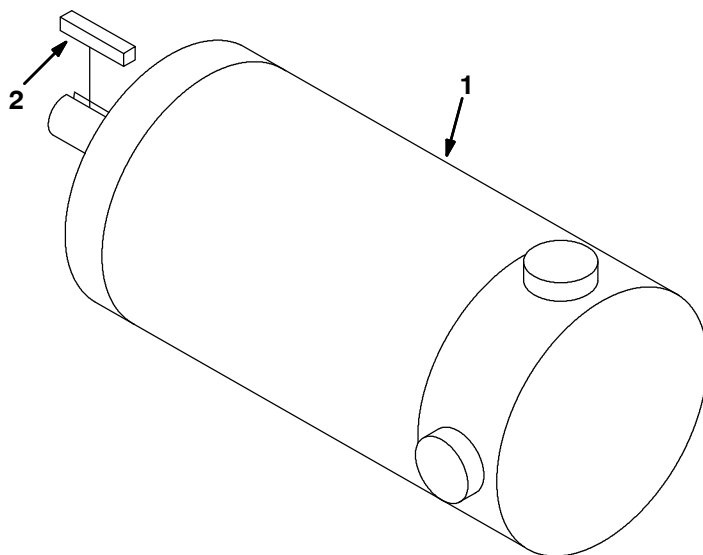
Fig. 4 - Electric Motor Breakdown, 374201



10426

Ref.	Tennant Part No.	Manufacturer Serial Number	Description	Qty.
▽	374201	(000000-) Motor Assy,EE Vac Fan	1
▲	1 375176	(000000-) Bearing Kit	1
▲▽	2 222625	(000000-) Brush Kit	1
▲▲	3 222627	(000000-) Brush&Spring Assy	4
▲▲	4 222629	(000000-) Brush Holder Cap	4
▲	5 10925	(000000-) Connector, 2 Conductor	1
▲	6 24537	(000000-) Terminal, Female	2
▲	7 00912	(000000-) Key, Square	1

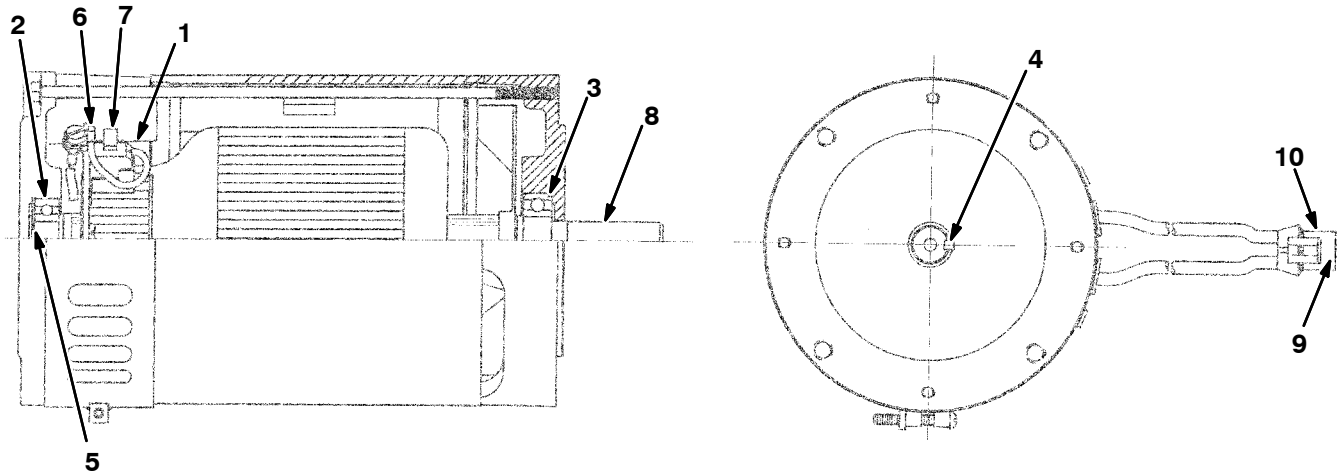
Fig. 5 - Electric Motor Breakdown, 383709



383107

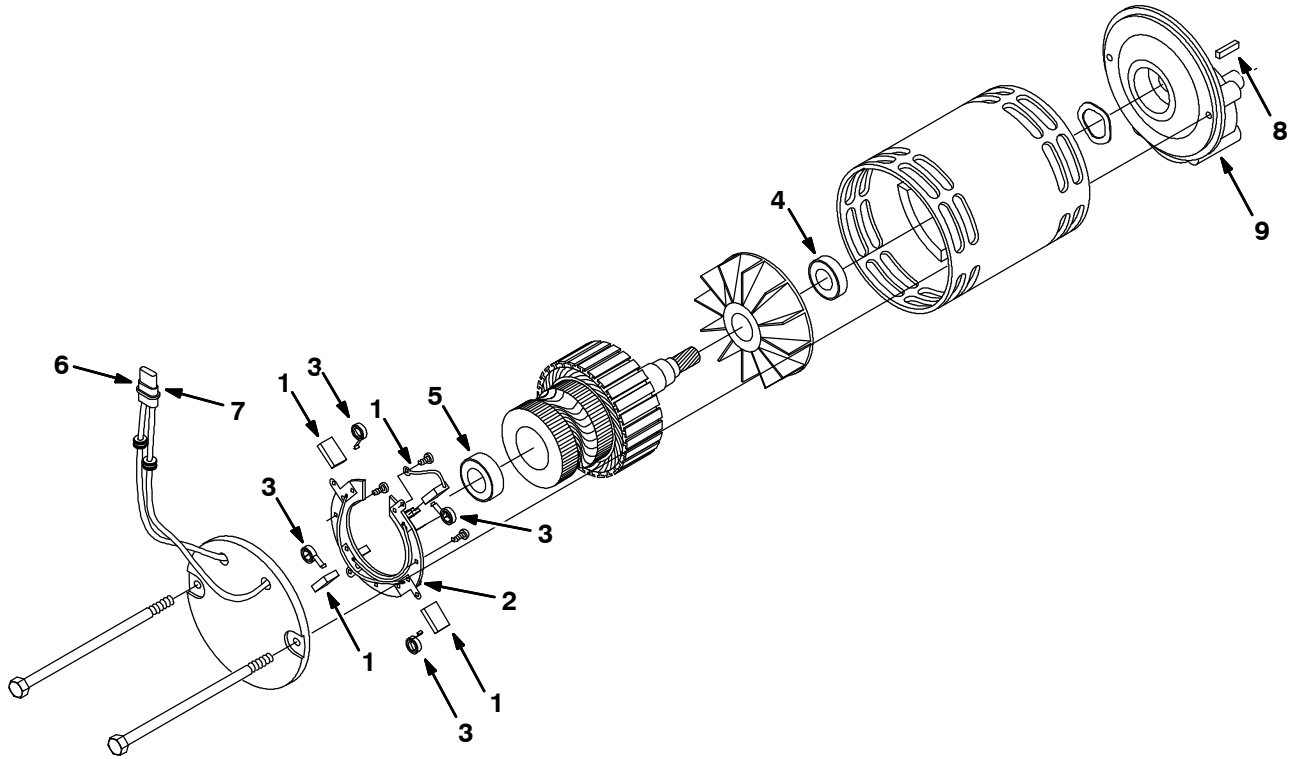
	Ref.	Tennant Part No.	Manufacturer Serial Number	Description	Qty.
▽	1	383709	(000000-) Motor Assy	1
▲▽		384207	(000000-) Bearing Kit	1
▲▲		384256	(000000-) Bearing	2
▲▲		222637	(000000-) Snap Ring	2
▲		384257	(000000-) Brush	2
▲		384258	(000000-) Screw, 6-32	2
▲		384259	(000000-) Spring, Retaining, Brush	2
▲	2	00912	(000000-) Key, Square	1

Fig. 6 - Electric Motor Breakdown, 386050



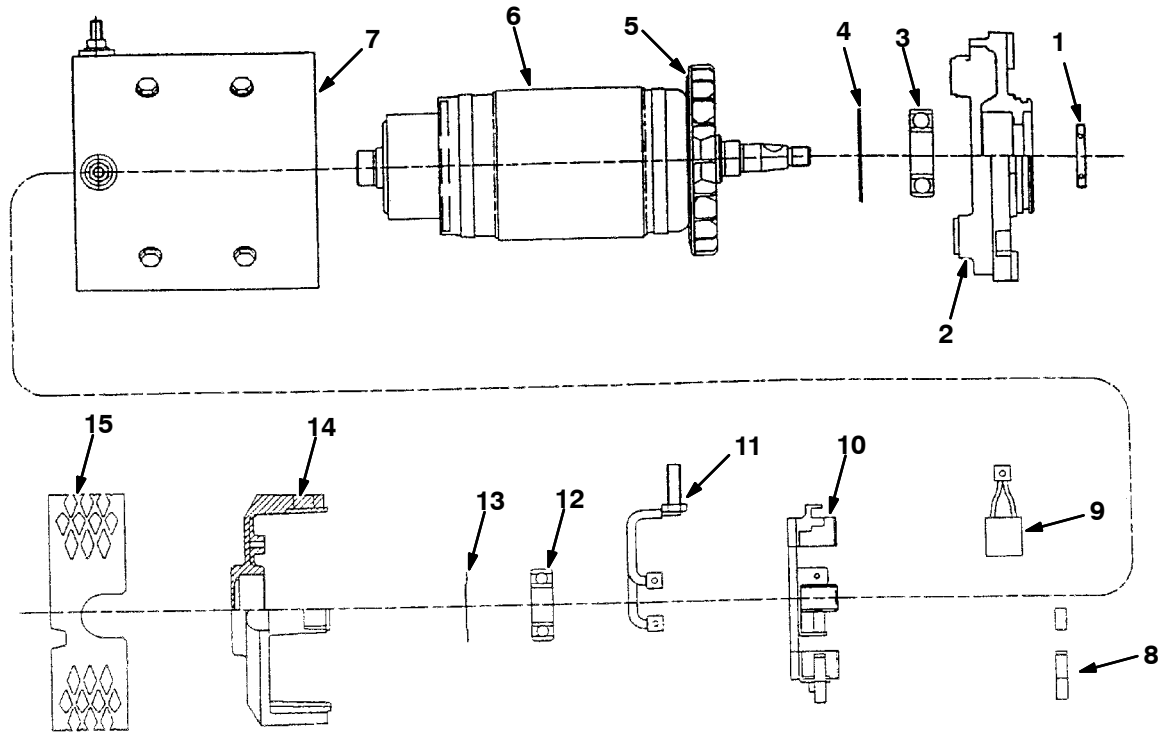
Ref.	Tennant Part No.	Machine Serial Number	Description	Qty.	
▽	386050	(000000-) Motor, Ele, 36 Vdc 1500 Rpm 1.5 Hp		
▲	1	41367	(000000-) Brush	4
▲	2	41368	(000000-) Bearing	1
▲	3	41371	(000000-) Bearing	1
▲	4	00918	(000000-) Key, Sq, 0.19 X 0.19, 01.25L	1
▲	5	387250	(000000-) Spring, Bearing	1
▲	6	21800	(000000-) Ring, Brush	1
▲	7	60189	(000000-) Spring	4
▲	8	387251	(000000-) Armature Assy, Complt	1
▲	9	24537	(000000-) Terminal, [Metripk630], Fem 10	2
▲	10	10925	(000000-) Connector, 2-Conductor	1

Fig. 7 - Electric Motor Breakdown, 386679



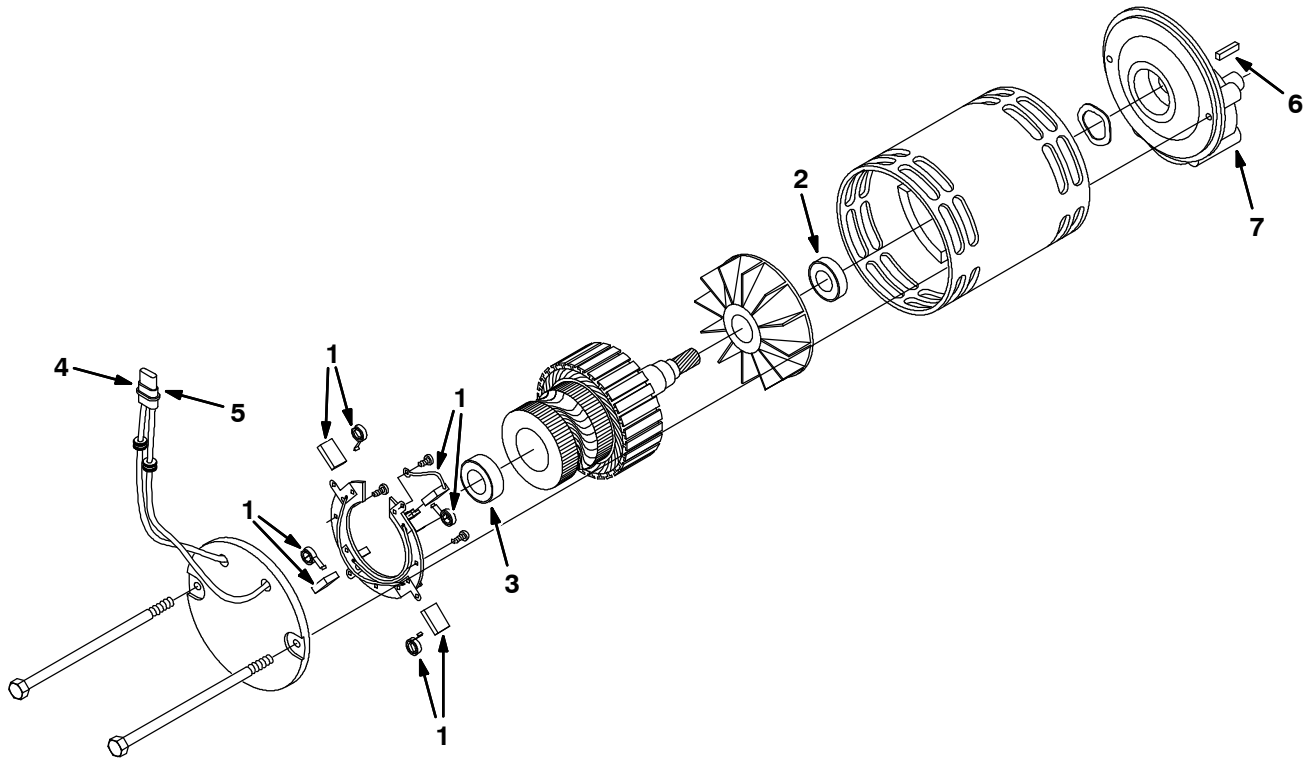
Ref.	Tennant Part No.	Machine Serial Number	Description	Qty.
▽	386679	(000000-) Motor, Gear, Ele, 1.5Hp, 36Vdc, 300Rpm	
▲	1 387371	(000000-) Brush Kit	1
▲▽	2 387373	(000000-) Brush Holder Assy	1
▲▲	3 387374	(000000-) Spring, Brush	4
▲	4 41371	(000000-) Bearing	1
▲	5 41368	(000000-) Bearing	1
▲	6 10925	(000000-) Connector Body	1
▲	7 24537	(000000-) Terminal	2
▲	8 00928	(000000-) Key Square 0.25 X 0.25, 01.00L	1
▲	9 387372	(000000-) Gearbox, Motor	1

Fig. 8 - Electric Motor Breakdown, 386811



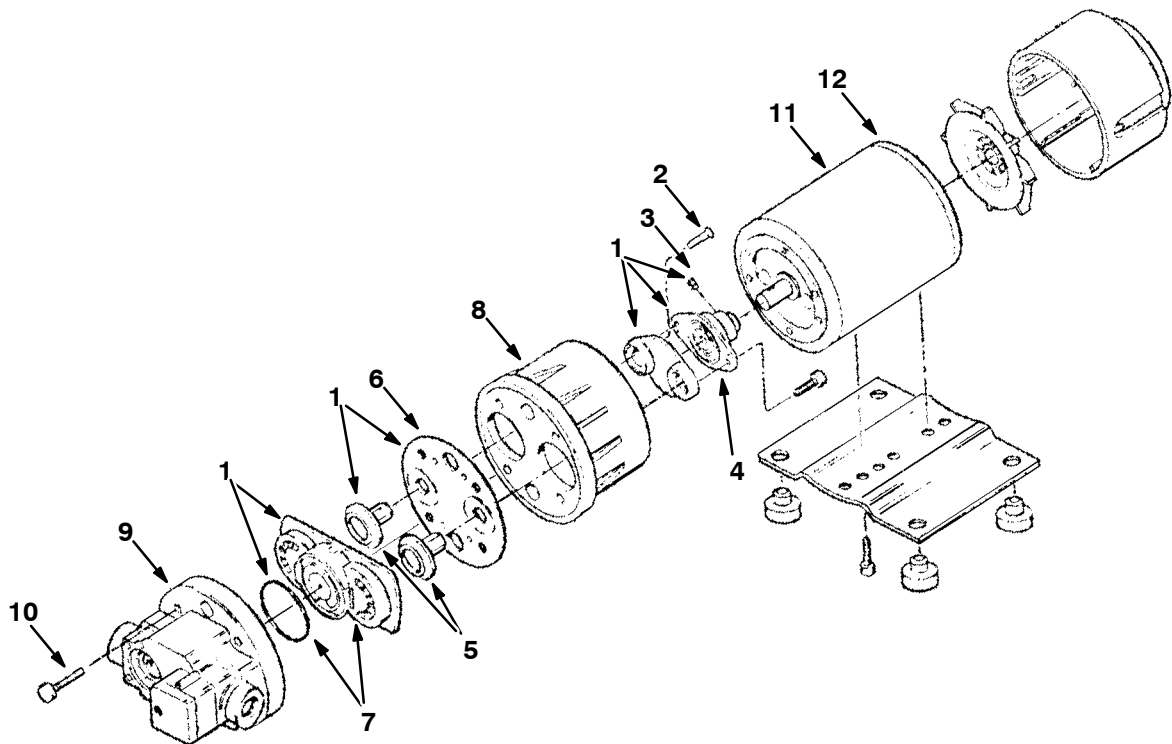
Ref.	Tennant Part No.	Machine Serial Number	Description	Qty.
▽	386811	(000000-) Motor, Ele, Traction	
▲	1 48753	(000000-) Seal	1
▲	2 387354	(000000-) Head, Drive End	1
▲	3 48754	(000000-) Bearing	1
▲	4 387355	(000000-) Ring, Retaining	1
▲	5 361966	(000000-) Armature Fan	1
▲	6 387356	(000000-) Armature and Fan Assembly	1
▲	7 387357	(000000-) Frame and Field Assembly	1
▲	8 48755	(000000-) Spring, Brush	1
▲	9 385742	(000000-) Brush, Motor, Ele	4
▲	10 223677	(000000-) Brush Palte	1
▲	11 387358	(000000-) Wire Assy, Brush	1
▲	12 48758	(000000-) Bearing	1
▲	13 361971	(000000-) H-016 Wavy Washer	1
▲	14 387359	(000000-) Head, Commutator End	1
▲	15 361973	(000000-) Headband	1

Fig. 9 - Electric Motor Breakdown, 386687



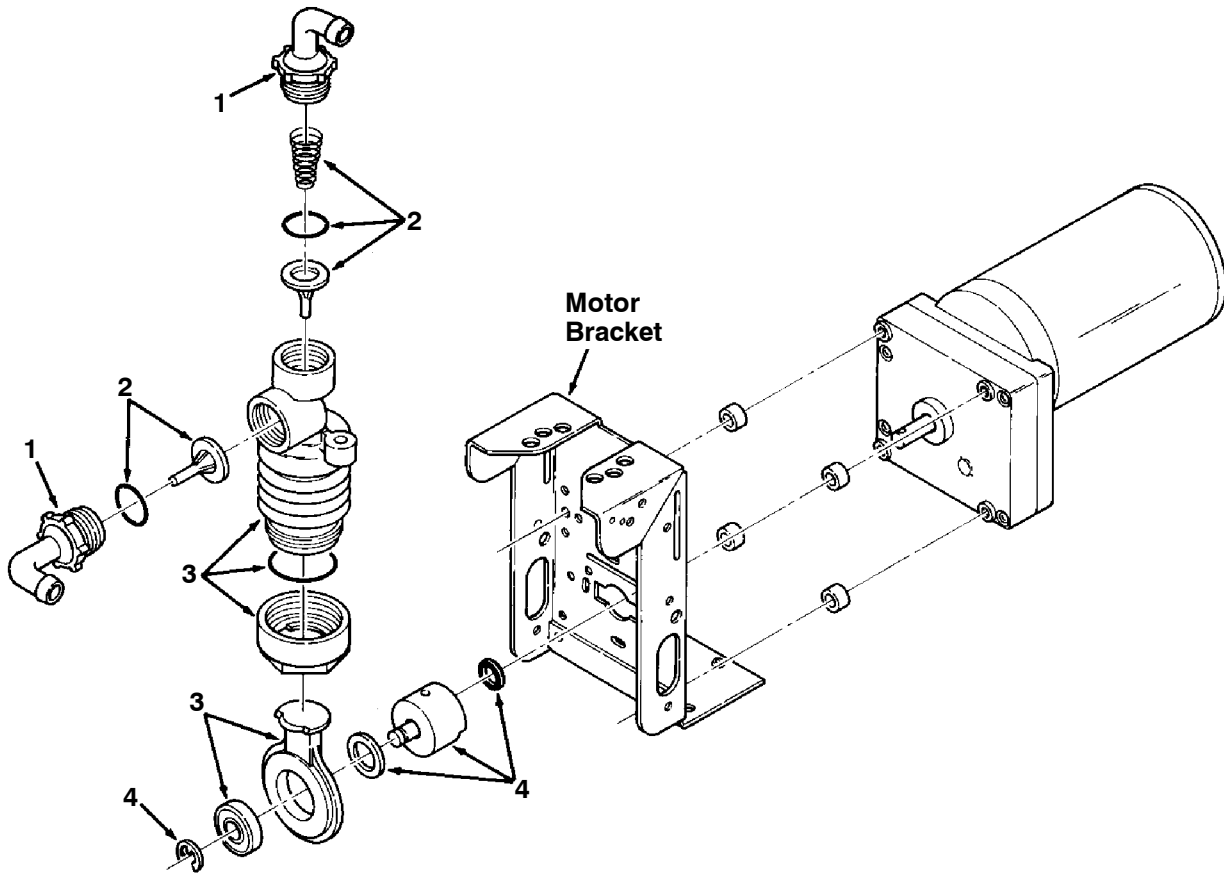
Ref.	Tennant Part No.	Manufacturer Serial Number	Description	Qty.
▽	386687	(000000-) Motor, Gear, 1.0Hp 36V	1
▲	1	222606	(000000-) Brush Kit	1
▲	2	222618	(000000-) Bearing	1
▲	3	222617	(000000-) Bearing	1
▲	4	10925	(000000-) Connector Body	1
▲	5	24537	(000000-) Terminal	2
▲	6	00928	(000000-) Key Square 0.25 0.25 01.00 Lg	1
▲	7	374005	(000000-) Gearbox, Motor	1

Fig. 10 - Water Pump Breakdown, 387321



Ref.	Tennant Part No.	Machine Serial Number	Description	Qty.
▽	387321	(000000-) Pump kit, Power Wand	1
▲	1 65678	(000000-) Seal kit	1
▲	2 65667	(000000-) Screw	1
▲	3 65668	(000000-) Screw	1
▲	4 370923	(000000-) Cam/bearing\Diaphragm Kit	1
▲	5 65671	(000000-) Piston	1
▲	6 65672	(000000-) Diaphragm kit	1
▲	7 65673	(000000-) Check valve assy	1
▲	8 65670	(000000-) Bearing cover	1
▲	9 65674	(000000-) Switch assy	1
▲	10 65675	(000000-) Pump screw	1
▲	11 65676	(000000-) Motor	1
▲	12 65677	(000000-) Brush/rectifier Assy	1
▲	78950	(000000-) Connector assy	2
▲	78951	(000000-) Terminal female	2
▲	10917	(000000-) Seal connector	2

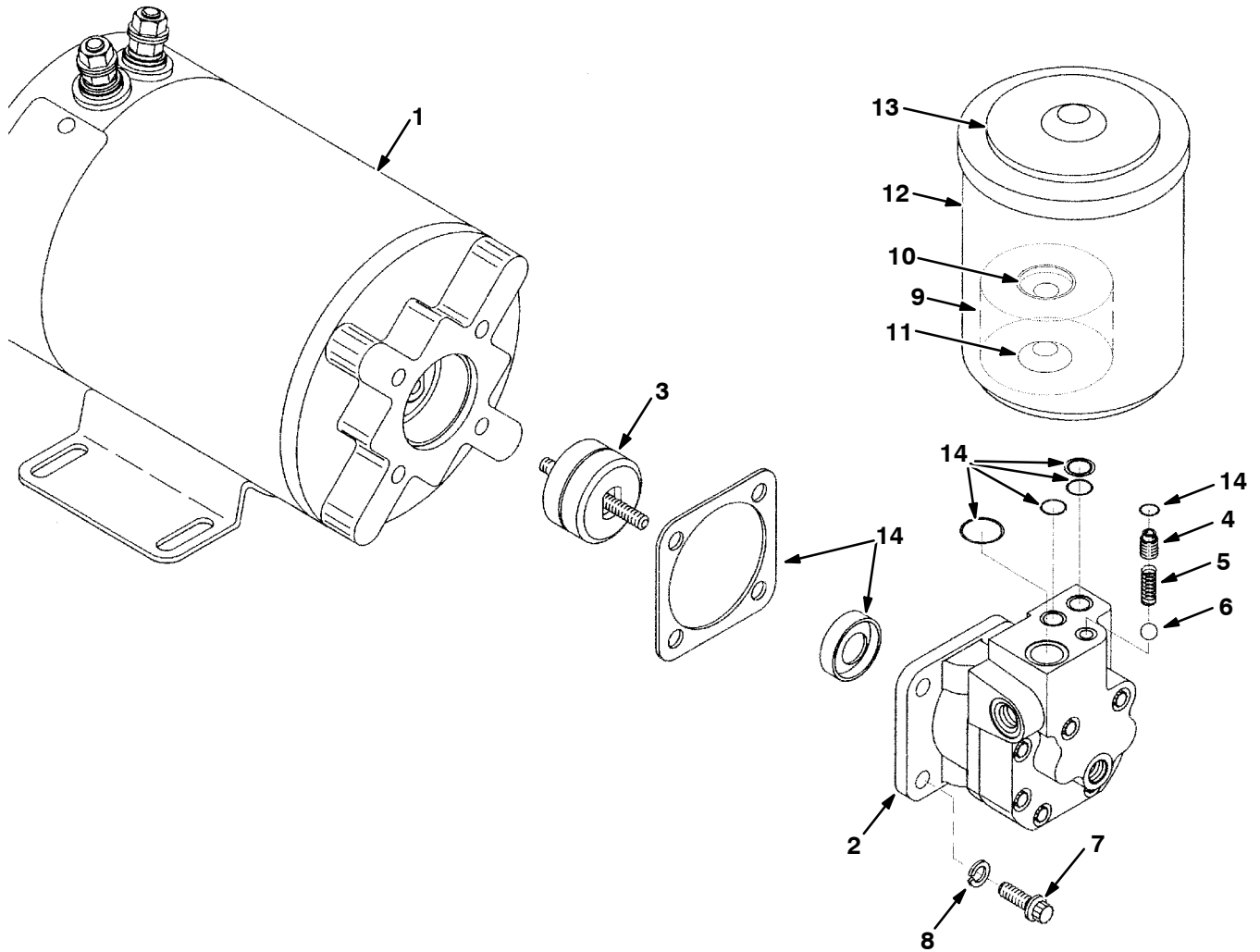
Fig. 11 - Metering Solution Pump Breakdown, 386364



00112 - ALL

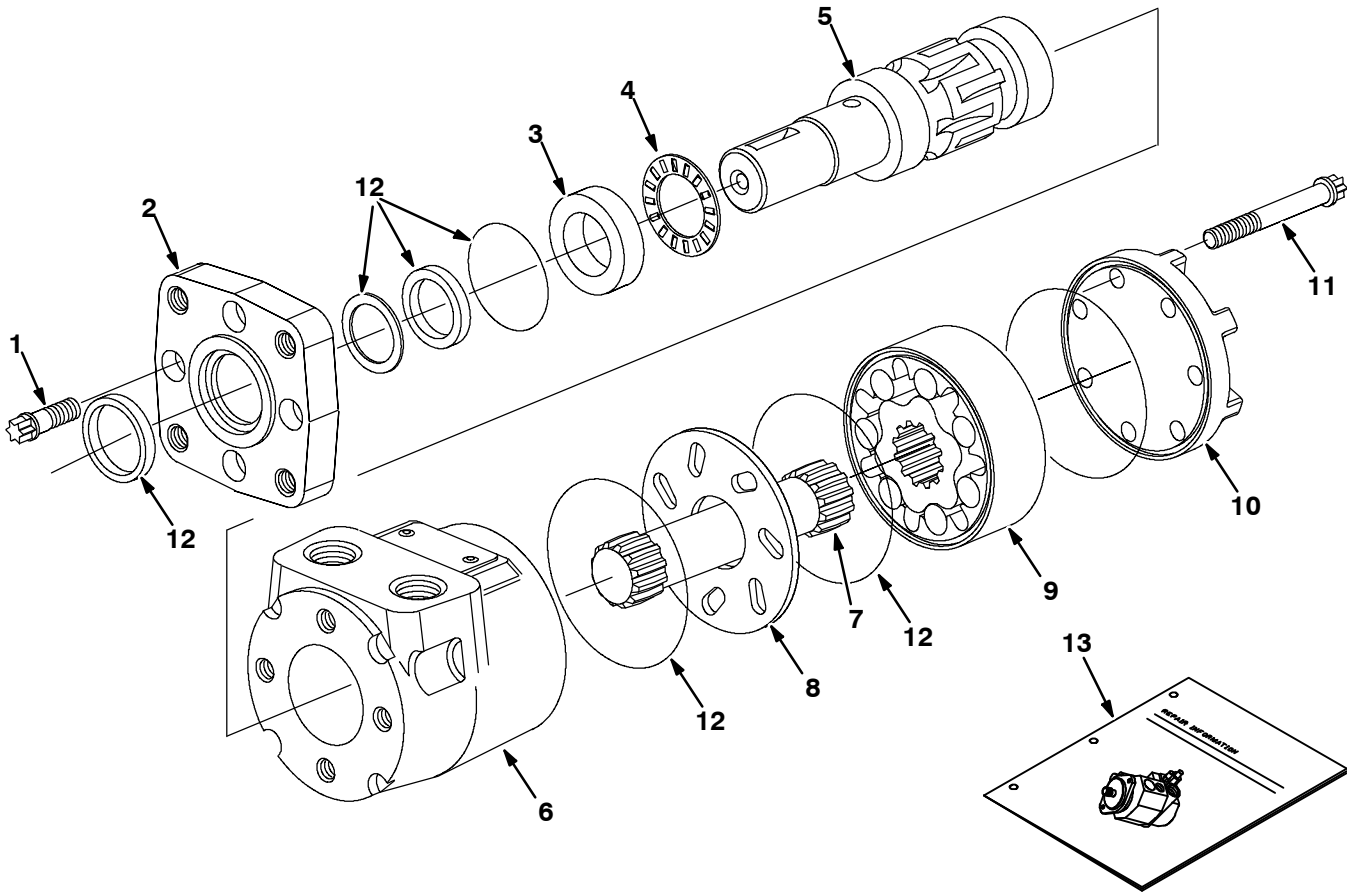
Ref.	Tennant Part No.	Manufacturer Serial Number	Description	Qty.
▽	386364	(000000-) Pump, Metering Solution	1
▲	1 63923	(000000-) Connector Kit, Tubing	1
▲	2 21659	(000000-) Valve Kit, Pump	1
▲	3 21661	(000000-) Replacement Kit, Bellows	1
▲	4 02430	(000000-) Crank Replacement Kit	1

Fig. 12 - Hydraulic Powerunit Breakdown, 368704



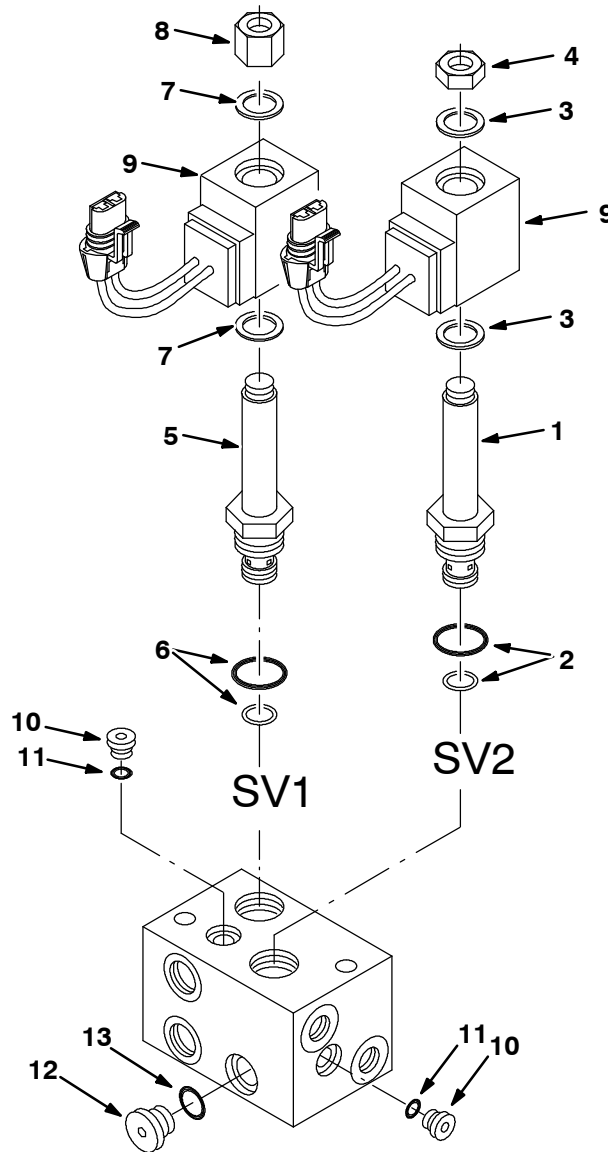
Ref.	Tennant Part No.	Machine Serial Number	Description	Qty.
▽	386704	(000000-) Powerunit, Hyd, 36Vdc	1
▲	1 387597	(000000-) Motor, Elect	1
▲	2 387598	(000000-) Pump assy	1
▲	3 387599	(000000-) Coupling, Flexible	1
▲	4 387600	(000000-) Screw, Adjuster	1
▲	5 387607	(000000-) Spring	1
▲	6 387608	(000000-) Ball, Check	1
▲	7 387609	(000000-) Screw, Mtg	4
▲	8 387610	(000000-) Washer	4
▲	9 387602	(000000-) Element, Fltr	1
▲	10 387603	(000000-) Seal, Cup, Upper	1
▲	11 387604	(000000-) Seal, Cup, Lower	1
▲	12 387605	(000000-) Reservoir	1
▲	13 387606	(000000-) Cover, Reservoir	1
▲	14 387601	(000000-) Kit, Seal	1

Fig. 13 - Hydraulic Motor Breakdown, 386703



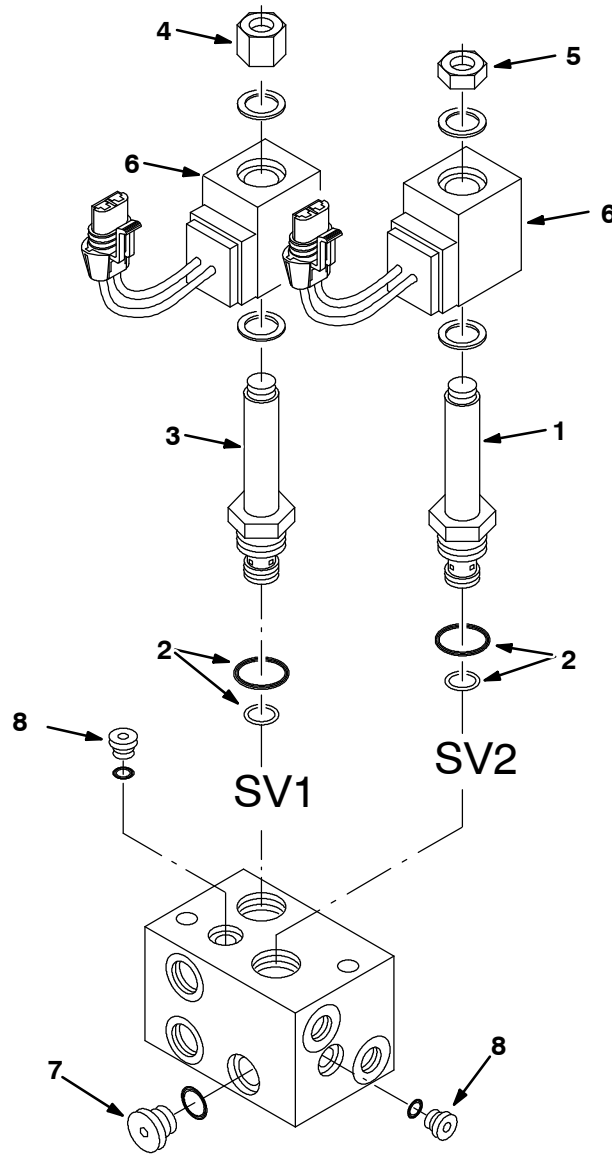
Ref.	Tenant Part No.	Machine Serial Number	Description	Qty.	
▽	386703	(000000-) Motor, Hyd	1	
▲	1	37555	(000000-) Screw	4
▲	2	763504	(000000-) Flange	1
▲	3	16695	(000000-) Race Thrust	1
▲	4	45628	(000000-) Bearing, Thrust	1
▲	5	763508	(000000-) Shaft, Output	1
▲	6	22655	(000000-) Housing	1
▲	7	373344	(000000-) Drive, Main Cl	1
▲	8	22658	(000000-) Spacer	1
▲	9	373343	(000000-) Geroler S/A Cl	1
▲	10	373422	(000000-) Cap, End	1
▲	11	21958	(000000-) Cap, Screw Cl	7
▲	12	373423	(000000-) Kit, Seal, Motor	1
▲	13	22661	(000000-) Instruction, Repair	1

Fig. 14 - Hydraulic Solenoid Valve Breakdown, 386705



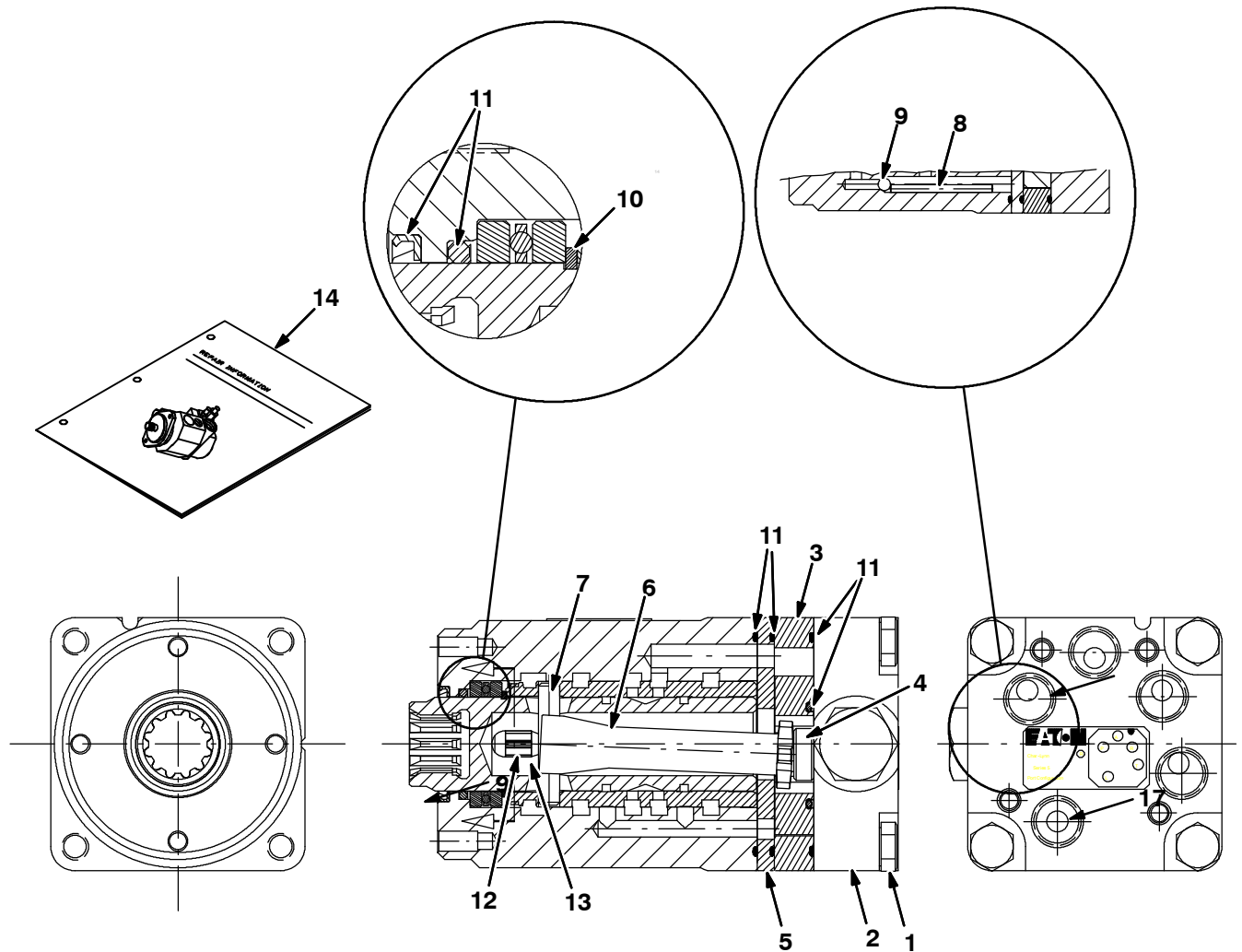
Ref.	Tennant Part No.	Machine Serial Number	Description	Qty.
▽	386705	(000000-) Valve, Hyd, Solenoid	1
▲▽	1 79716	(000000-) Valve Stem	1
▲▲	2 79711	(000000-) Kit, Seal, Hyd, Valve	1
▲▲	3 79740	(000000-) Kit, Seal, Hyd, Valve	1
▲▲	4 79728	(000000-) Nut	1
▲▽	5 79739	(000000-) Valve, Stem	1
▲▲	6 79711	(000000-) Kit, Seal, Hyd, Valve	1
▲▲	7 79740	(000000-) Kit, Seal, Hyd, Valve	1
▲▲	8 79731	(000000-) Nut	1
▲	9 373421	(000000-) Coil 36v	2
▲▽	10 13902	(000000-) Plug, O-Ring	2
▲▲	11 77001	(000000-) Seal, O-Ring,	1
▲▽	12 74098	(000000-) Plug, O-Ring	1
▲▲	13 77003	(000000-) Seal, O-Ring, .072 X .35id	1

Fig. 15 - Hydraulic Solenoid Valve Breakdown, 1049212



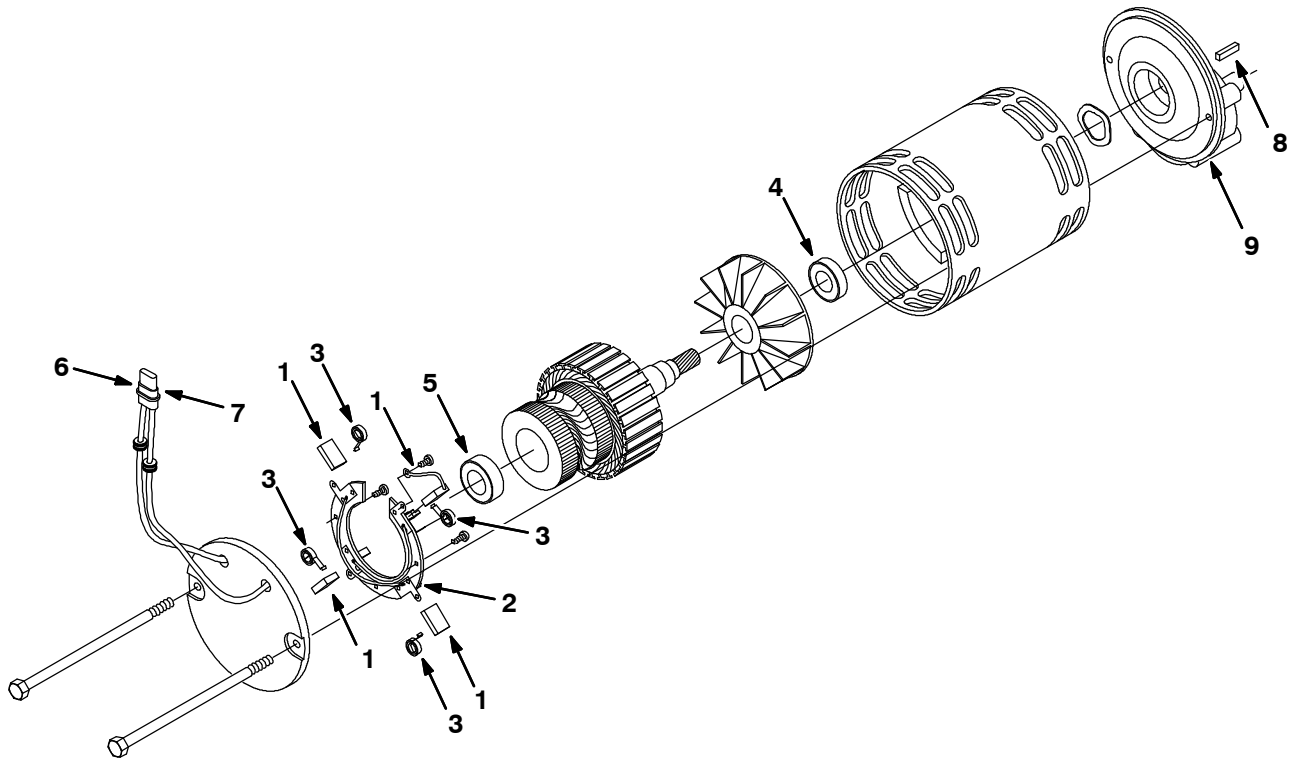
Ref.	Tennant Part No.	Machine Serial Number	Description	Qty.	
▽	1049212	(000000-) Valve, Cntrl, Hyd, Solenoid, 36vdc 06gpm	1	
▲	1	1050812	(000000-) Stem, Valve, Hyd	1
▲	2	1050780	(000000-) Seal Kit, Cartridge	1
▲	3	1052230	(000000-) Stem, Valve, Hyd	1
▲	4	373585	(000000-) Nut, Long	1
▲	5	373584	(000000-) Nut, Short	1
▲	6	1052515	(000000-) Solenoid, Valve, Hyd, 36vdc	2
▲	7	1050873	(000000-) Fitting, Plug, Om06, Valve	1
▲	8	1050869	(000000-) Fitting, Plug, Om04, Valve	2

Fig. 16 - Steering Control Valve Breakdown, 373495



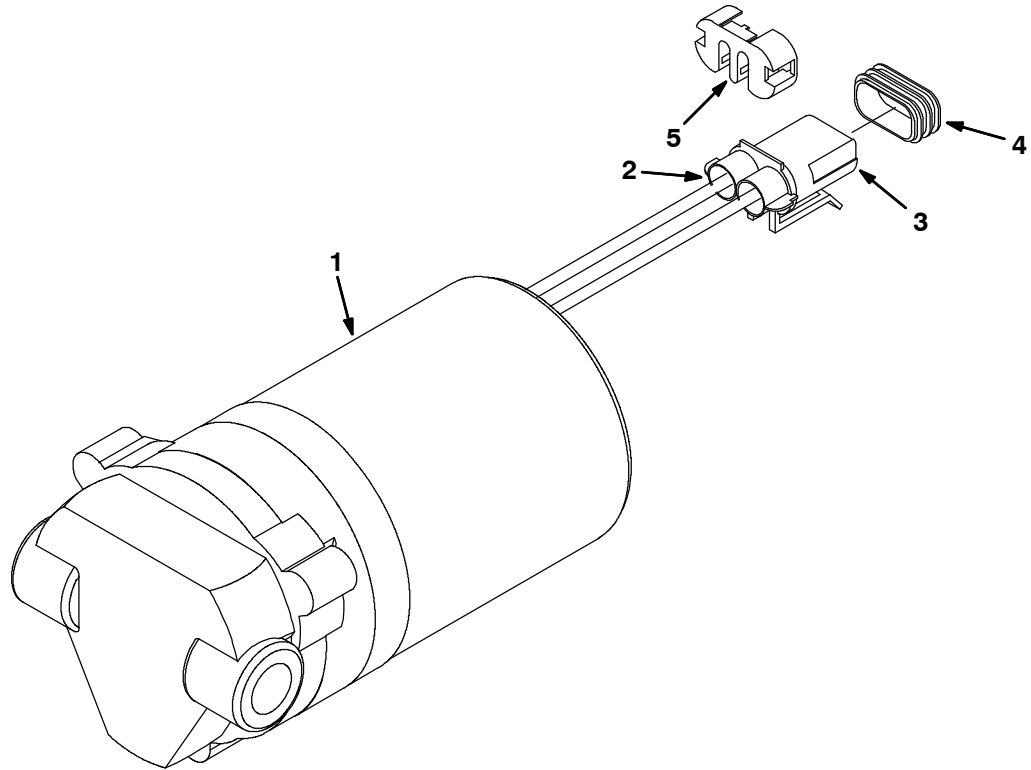
Ref.	Tennant Part No.	Machine Serial Number	Description	Qty.
▽	373495	(000000-) Steer-Control, Hyd	4
▲	1 373567	(000000-) Screw, Cap	1
▲	2 373568	(000000-) Cap, End	1
▲	3 373569	(000000-) Geroter	1
▲	4 373570	(000000-) Spacer	1
▲	5 373571	(000000-) Plate, Wear	1
▲	6 74231	(000000-) Drive, Valve, Strg	1
▲	7 74232	(000000-) Pin, Valve, Strg	1
▲	8 373572	(000000-) Pin	1
▲	9 74114	(000000-) Ball, Check, Strg Valve	1
▲	10 74243	(000000-) Ring, Retainer, Valve, Strg	1
▲	11 74244	(000000-) Kit, Seal, Hyd, Valve, Strg	1
▲	12 74196	(000000-) Kit, Spring, Valve, Strg	1
▲	13 21935	(000000-) Bearing Kit	1
▲	14 74245	(000000-) Instruction, Repair, Valve, Strg	1

Fig. 17 - Electric Motor Breakdown, 387585



Ref.	Tennant Part No.	Machine Serial Number	Description	Qty.
▽	387585	(000000-) Motor, Gear, Ele, 1.5Hp, 36Vdc, 300Rpm	
▲	1 387589	(000000-) Brush	4
▲	2 387590	(000000-) Brush, Board, Assy	1
▲	3 387592	(000000-) Spring, Brush	4
▲	4 387587	(000000-) Bearing	1
▲	5 387588	(000000-) Bearing	1
▲	6 10925	(000000-) Connector Body	1
▲	7 24537	(000000-) Terminal	2
▲	8 00928	(000000-) Key Square 0.25 X 0.25, 01.00L	1
▲	9 374005	(000000-) Gearbox, Motor	1

Fig. 18 - ec-H2O Solution Pump Breakdown, 1005866



- ALL

	Ref.	Part No.	Serial Number	Description	Qty.
∇		1005866	(000000-) Pump, Soltn, Ele, 36vdc	1
▲	1	391433	(000000-) Head Kit, Pump, Water, Repair	1
▲	2	78950	(000000-) Connector, Fem, 2cav, Mp280 Sealed	1
▲	3	78951	(000000-) Terminal, Fem, Mp280, Sealed, 18-16ga	1
▲	4	10917	(000000-) Seal, Wire, 14/16ga [Wp / Mp280 Sealed]	1
▲	5	78952	(000000-) Lock, Secondary, 2cav, Mp280 Sealed	1

Fig. 19 - ec-H2O Module Assembly Breakdown, 9006270

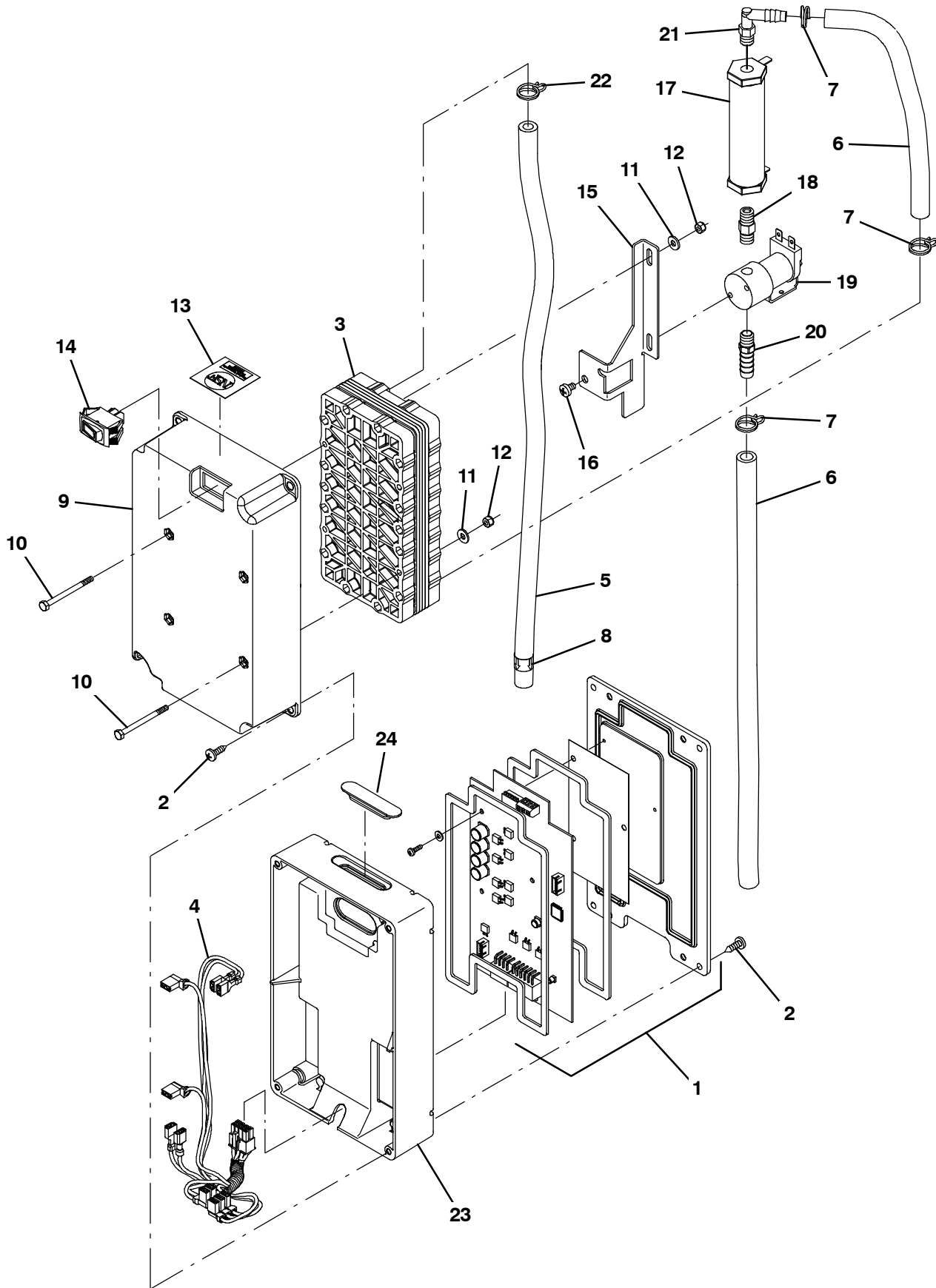
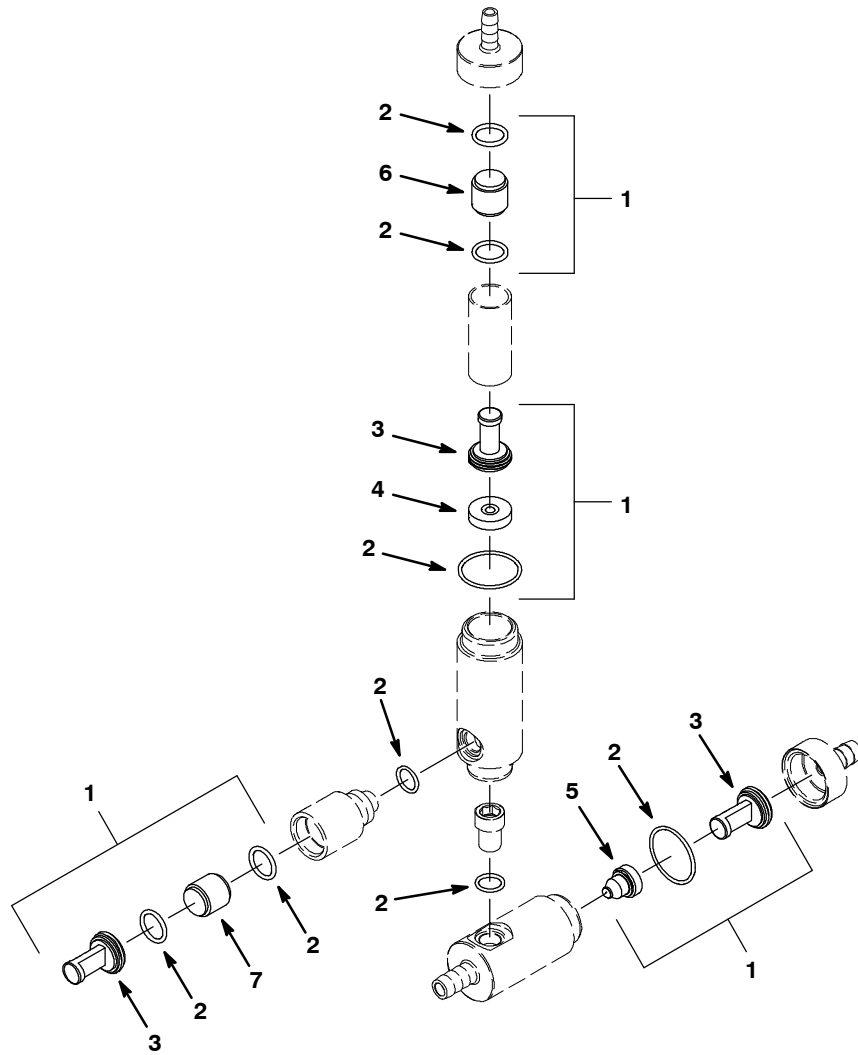


Fig. 19 - ec-H2O Module Assembly Breakdown, 9006270

Ref.	Part No.	Serial Number	Description	Qty.
▽	9006270	(000000-) Module Kit, Replmt [Ec-H2o]	1
▲	1 9007969	(000000-) Controller Kit, Replmt [ec-H2O]	1
▲	2 1018155	(000000-) Screw, Pan, Phl, M5 X 0.80 X 16, Tcut,Ss	8
▲▽	9006325	(000000-) Ec-H2o Kit, Module C, Plumbing	1
▲▲	3 1050767	(000000-) Electrode, 5 Plate, High Flow	1
▲▲	4 1049489	(000000-) Harness, Main,Controlboard[Ec-H2o 5cell]	1
▲▲	5 1014971	(000000-) Hose, Afmkt, Pvc, Brd, 0.38id, 01ft, Clr	1
▲▲	6 9006268	(000000-) Hose, Pvc, Brd, 0.31id 0.53od, 2ft, Clr	1
▲▲	7 1053464	(000000-) Clamp, Hose, Wir, .56 - .56, Yel	3
▲▲	8 1049637	(000000-) Label, Direction [Ec-H2o]	1
▲▲	9 1051519	(000000-) Housing, Upper, Module, High Flow	1
▲▲	10 32509	(000000-) Screw, Hex, M4 X 0.70 X 50, Ss	4
▲▲	11 41579	(000000-) Washer, Flat, 08, Ss	4
▲▲	12 33932	(000000-) Nut, Hex, Lock, M4 X 0.70, NI, Ss	4
▲▲	13 1046041	(000000-) Label, Module [Nsf, Ec-H2o]	1
▲▲	14 1044393	(000000-) Switch, Rocker, Spst, Mom	1
▲▲	15 1048741	(000000-) Bracket, Valve, Large	1
▲▲	16 578856	(000000-) Screw, Flt, Phl, 10-32 X 0.31	2
▲▲	17 1062006	(000000-) Electrode, Cylindrical	1
▲▲	18 1045030	(000000-) Fitting, Brs, Str, Pm02/Pm02	1
▲▲	19 1048643	(000000-) Valve, Solenoid, 0.25" Orifice, 24vdc	1
▲▲	20 1005375	(000000-) Fitting, Plstc, Str, Bm06/Pm02, Nyl	1
▲▲	21 1051268	(000000-) Fitting, Plstc, E90, Bm05/Pm02, Nyl	1
▲▲	22 607775	(000000-) Clamp, Hose, Wir, .63 - .66, Blk	1
▲	23 1037032	(000000-) Housing, Bottom	1
▲	24 1050431	(000000-) Grommet, Blind	1

Fig. 20 - FaST Injector Assembly Breakdown, 1050333



354649

Ref.	Part No.	Serial Number	Description	Qty.	
▽	1050333	(000000-) Injector Assy, High, .052 .010[FaST II+]	1	
▲▽	1	9006119	(000000-) FaST Kit, Ci [Inj Rebl, 7300/8300]	1
▲▲	2	9003008	(000000-) Fast Kit, Ci, Injector Seals [Fast li+]	1
▲▲	3	9003009	(000000-) Fast Kit, Ci, Injector Filters[Fast li+]	1
▲▲	4	1050342	(000000-) Plate Assy, Orifice, 0.010ld, Purple	1
▲▲	5	1050336	(000000-) Plug, Orifice, 0.052, Ss [FaST II+]	1
▲▲	6	1030444	(000000-) Valve, Check, 0002psi [Fast li+]	1
▲▲	7	1030441	(000000-) Valve, Check, 0005psi [Fast li+]	1

SECTION 5

CONTENTS

PAGE

PART NUMBER TO PAGE NUMBER CROSS REFERENCE LIST 5-2
PART DESCRIPTION TO PAGE NUMBER CROSS REFERENCE LIST 5-14

CROSS REFERENCE

PART NUMBER TO PAGE NUMBER CROSS REFERENCE LIST

Part Number	Page Number	Part Number	Page Number	Part Number	Page Number
00500-10	2-97	01726	3-133, 3-135, 3-137,	06974	2-75, 2-93, 3-27
00910	2-79		3-139, 3-141, 3-143,	06977	2-79, 2-81
00911	2-79, 3-49, 3-69		3-145, 3-146, 3-147,	07112	2-19, 2-93
00912	2-79, 2-97, 3-49, 3-69,		3-148, 3-149, 3-150	07259	2-91
	4-6, 4-7, 4-8	01760	3-129	07450	2-65, 2-67, 2-77
00918	3-49, 3-69, 4-9	01837	4-3, 4-5	07471	3-53, 3-73
00926	2-91	01842	4-3	07514	2-109, 2-111, 2-113
00928	4-10, 4-12, 4-20	01856	4-3, 4-5	07786	2-61, 2-63, 2-75, 2-89,
00954	2-97	01969	4-3		3-41, 3-45, 3-57, 3-59,
01316	3-85	01971	4-3, 4-5		3-77, 3-79
01516	2-65	01982	4-3	07787	2-81
01683	2-23, 2-39, 2-41, 2-45,	01983	4-3	07789	2-116, 3-91
	2-49, 2-105, 2-107,	02076	2-25	07790	2-91, 2-107, 2-109,
	2-109, 3-89, 3-91,	02129	3-129		3-13, 3-15
	3-129	02430	4-14	07791	2-11, 2-25, 2-75, 2-85,
01684	2-7, 2-9, 2-11, 2-15,	02850	2-15, 2-35, 2-107,		2-99, 3-5, 3-7, 3-9,
	2-41, 2-49, 2-59, 2-61,		3-87, 3-115		3-11, 3-27
	2-63, 2-67, 2-69, 2-71,	02931	2-65	07792	2-65, 3-97, 3-99,
	2-75, 2-111, 2-113,	02938	2-109		3-101, 3-103
	3-27, 3-39, 3-41, 3-45,	02942	2-75, 3-49, 3-69	07800	2-89
	3-49, 3-51, 3-53, 3-55,	03495	2-69, 2-71, 3-119,	07805	3-129
	3-57, 3-59, 3-61, 3-63,		3-121, 3-123, 3-125	08085	3-57, 3-59, 3-77, 3-79
	3-69, 3-71, 3-73, 3-75,	04414	2-69, 2-71, 3-119,	08175	2-83
	3-77, 3-79, 3-81, 3-83,		3-121, 3-123, 3-125	08178	2-15, 2-67, 2-69, 2-71,
	3-85, 3-97, 3-99,	04417	2-65, 2-67		3-119, 3-121, 3-123,
	3-101, 3-103, 3-113,	04733-10	2-67		3-125
	3-119, 3-121, 3-123,	04733-2	2-75, 3-27	08179	2-93
	3-125	04843	2-41, 2-49, 2-59, 3-39,	08182	2-23, 2-49, 2-53, 2-59,
01685	2-15, 2-21, 2-27, 2-31,		3-55, 3-75		2-77, 3-33, 3-39, 3-47,
	2-43, 2-49, 2-51, 2-55,	05686	2-65		3-55, 3-65
	2-57, 2-59, 2-61, 2-63,	06279	2-49, 2-53, 2-67, 3-33,	08236	2-85
	2-67, 2-69, 2-71, 2-75,		3-39, 3-47, 3-65	08346	2-53, 3-33, 3-47, 3-65
	3-27, 3-31, 3-33, 3-35,	06415	2-85	08708	2-13, 2-17, 2-19, 2-23,
	3-37, 3-39, 3-41, 3-45,	06474A	2-23		2-75, 2-85, 2-97,
	3-51, 3-53, 3-55, 3-65,	06549	2-17, 2-39, 2-81, 2-85,		2-107, 2-109, 2-116,
	3-66, 3-71, 3-73, 3-75,		2-95, 2-107, 2-109,		3-13, 3-15
	3-85, 3-87, 3-107,		3-49, 3-69	08709	2-11, 2-13, 2-23, 2-27,
	3-113, 3-115, 3-119,	06925	2-109		2-35, 2-41, 2-73, 2-75,
	3-121, 3-123, 3-125,	06931	2-23, 2-109		2-79, 2-81, 2-83, 2-85,
	3-129, 3-133, 3-135,	06942	2-19, 2-33, 2-35, 2-39,		2-89, 2-91, 2-99,
	3-137, 3-139, 3-141,		2-85, 2-91, 2-107,		2-105, 2-111, 2-113,
	3-143		2-109, 2-115		3-27, 3-51, 3-53, 3-71,
01686	2-31, 2-43, 2-51, 2-53,	06943	2-11, 2-13, 2-27, 2-47,		3-73, 3-91
	2-59, 2-61, 2-63, 2-65,		2-79, 2-83, 2-91, 2-97,	08711	2-19, 2-29, 2-75, 2-93,
	2-67, 2-75, 3-16, 3-17,		3-13, 3-15		3-27, 3-33
	3-19, 3-21, 3-27, 3-31,	06944	2-23, 2-85	08712	2-41, 2-53, 2-55, 2-57,
	3-33, 3-39, 3-41, 3-45,	06945	2-116		2-59, 2-61, 2-63, 2-67,
	3-47, 3-49, 3-55, 3-57,	06946	2-19, 2-107, 2-109		2-79, 2-81, 3-35, 3-37,
	3-59, 3-65, 3-69, 3-75,	06949	3-13, 3-15		3-39, 3-41, 3-45, 3-51,
	3-77, 3-79	06955	2-27, 2-85, 2-86		3-53, 3-55, 3-61, 3-63,
01690	2-13	06958	2-99		3-71, 3-73, 3-75, 3-81,
01692	3-57, 3-77	06960	2-19		3-83, 3-85, 3-113,
01713	2-11, 2-107, 2-109,	06961	3-19, 3-21, 3-23		3-129
	2-111, 2-113	06963	2-23		
01714	2-23, 2-83	06964	2-89		
01715	2-107, 2-109, 2-111,	06965	2-89		
	2-113	06969	2-29, 3-33		
		06971	2-93		

CROSS REFERENCE

Part Number	Page Number	Part Number	Page Number	Part Number	Page Number
08713	2-27, 2-31, 2-49, 2-51, 2-61, 2-63, 2-67, 2-69, 2-71, 2-89, 3-31, 3-33, 3-39, 3-41, 3-43, 3-45, 3-47, 3-65, 3-66, 3-75, 3-87, 3-107, 3-113, 3-119, 3-121, 3-123, 3-125, 3-129, 3-131, 3-133, 3-135, 3-137, 3-139, 3-141, 3-143	09774	3-57, 3-59, 3-77, 3-79	1013857	2-33
08714	2-51, 2-65, 2-67, 2-89, 3-16, 3-17, 3-31, 3-33, 3-49, 3-65, 3-69	1001062	3-49, 3-69	1013866	2-35
08716	2-53, 2-59, 2-61, 2-63, 2-67, 2-75, 3-39, 3-41, 3-45, 3-55, 3-61, 3-63, 3-75, 3-81, 3-83	1001099	2-53, 3-33, 3-47, 3-65	1014056	2-35
09007	2-17, 2-41, 3-85, 3-113	1002464	3-43, 3-63, 3-83	1014082	2-35
09010	2-15, 2-35, 2-51, 2-65, 2-67, 3-31, 3-33, 3-47, 3-65, 3-85, 3-113, 3-119, 3-121	1002789	2-37	1014971	4-23
09011	2-31, 3-87	1002898	2-35, 2-39	1014986	2-35, 2-39
09023	2-61, 2-63, 3-41, 3-45, 3-107, 3-129	1002899	2-35, 2-39	1014987	2-35
09026	2-27, 2-89	1005026	2-4	1015045	2-57, 3-37, 3-53, 3-73
09028	2-51, 2-89, 3-16, 3-17, 3-19, 3-21, 3-31, 3-33, 3-65	1005086	2-37	1015048	3-37, 3-53, 3-73
09030	2-25	1005133	3-43, 3-63, 3-83	1015096	2-144
09088	2-29	1005135	3-43, 3-63, 3-83	1015097	3-53
09162	2-78	1005255	2-35	1015558	2-55, 2-57, 3-35
09198	2-7, 2-9, 3-49, 3-69, 3-129	1005302	2-37, 2-39, 3-91	1017015	2-35
09206	2-35, 3-87	1005304	2-37	1017022	2-35
09228	3-115	1005375	3-91, 4-23	1017255	3-91
09244	2-85, 2-105, 2-116	1005404	2-75	1017288	2-144, 2-145
09252	2-33	1005416	2-116	1017289	2-144
09291	2-77, 3-29, 3-49, 3-69	1005435	2-35, 2-39	1017368	2-9
09294	2-25	1005508	2-33	1017386	3-91
09480	2-75, 3-27	1005523	2-75	1017413	2-37, 2-39, 2-57, 3-37, 3-53, 3-73, 3-91
09718	3-33, 3-47, 3-65	1005552	2-37	1017415	2-37, 2-39, 3-91
09738	3-49, 3-69	1005866	2-33, 3-91, 4-21	1017441	2-75, 3-27
09739	2-45, 2-49, 3-47, 3-65, 3-89, 3-129	1006400	2-39	1017802	2-75, 3-27
09740	2-11, 2-15, 2-43, 2-75, 2-89, 3-33, 3-65, 3-129, 3-131, 3-133, 3-135, 3-137, 3-139, 3-141, 3-143	1006401	3-37	1018155	4-23
09741	2-69, 2-71, 2-81, 3-57, 3-59, 3-77, 3-79, 3-119, 3-121, 3-123, 3-125	1006447	2-33	1018515	3-139
09744	3-57, 3-59, 3-63, 3-77, 3-79, 3-83, 3-97, 3-99, 3-101, 3-103	1007107	3-129	1019285	2-43, 3-87
09746	2-81	1007337	2-109	1019344	3-126, 3-127
09767	2-69, 2-71, 3-119, 3-121, 3-123, 3-125	1007344	2-109	1021878	2-35, 2-39
09770	2-75, 3-27	1007353	2-109	1022465	3-127
		1007486	3-33, 3-65	1022558	3-127
		1007632	2-61, 3-41	1022564	3-126
		1008211	2-35	1022565	3-126
		1008274	2-75	1023676	2-29
		1008275	3-27	1023677	2-29
		1010325	2-144	1024009	2-35
		1010614	2-33	1028580	2-116
		1010655	2-33	1028581	2-33, 2-39
		1010658	2-33	1030441	4-24
		1010660	2-33	1030444	4-24
		1010661	2-33	1031699	2-31, 2-45, 3-89, 3-107
		1010668	2-39, 3-53, 3-73	1031700	3-97, 3-99, 3-101, 3-103
		1010713	2-33	1034891	2-23
		1010791	2-33, 2-35	1035794	2-39
		1010797	2-35	10362	2-97
		1010832	3-73	1036903	2-103
		1010835	2-33	1037032	4-23
		1010836	2-33	1037346	3-91
		1010871	2-35	1037822	2-3, 2-4, 2-43
		1011170	2-35	1039190	2-69, 2-71, 3-119, 3-121, 3-123, 3-125
		1011276	2-116, 2-117	1040467	3-91
		1011403	2-33, 2-35, 2-37, 2-39, 2-57, 3-53, 3-73	1040868	3-93
		1011411	3-91	1041766	2-47
		1011412	3-91	1041772	2-47
		1011521	2-33, 2-39, 2-55, 3-37, 3-53, 3-73	1041822	3-93
		1011835	2-37	1041885	3-152
		10120	2-29	1042499	2-9
		1012528	2-55, 2-57, 3-35, 3-37		

CROSS REFERENCE

Part Number	Page Number	Part Number	Page Number	Part Number	Page Number
1042504	2-9	1055336	3-91	1056514	3-29
1042513	2-23	1055883	3-93	1056515	2-11
1042514	2-23	1056331	3-93	1056516	3-33
1043866	3-91	1056382	2-31	1056517	3-33, 3-65
1044393	4-23	1056383	2-11	1056518	2-89
1045030	4-23	1056386	2-15	1056519	2-89
1045426	2-95	1056387	2-11	1056520	2-95
1045633	2-39	1056388	2-15	1056521	2-95
1046041	4-23	1056389	2-67	1056522	2-85
1046173	3-91	1056390	2-53, 3-33, 3-47, 3-65	1056523	2-99
10464	3-49, 3-69	1056392	2-13	1056524	2-11
1048643	4-23	1056393	2-97	1056525	2-89
1048741	4-23	1056416	3-91	1056526	2-89
1048932	2-21	1056433	2-15	1056527	2-89
1048955	2-21	1056434	2-15	1056528	2-83
1049092	2-21	1056436	2-95	1056642	2-93
1049212	2-99, 4-18	1056437	2-85	1056673	3-21
1049254	2-39	1056464	3-7, 3-11	1056674	3-21
1049259	2-39	1056465	2-11	1056675	2-25
1049269	3-97, 3-99, 3-101, 3-103	1056466	2-71, 3-121, 3-125	1056676	2-97
1049489	4-23	1056467	2-65	1056677	2-85
1049637	4-23	1056468	2-65	1056678	2-91
1050003	3-93	1056471	2-71, 3-125	1056679	3-29
1050193	3-33, 3-47, 3-66	1056472	2-15	1056680	2-13
1050195	2-53	1056473	3-17	1056681	3-33, 3-65
1050333	2-39, 4-24	1056474	3-17	1056682	2-95
1050336	4-24	1056475	2-15	1056683	2-95
1050342	4-24	1056476	3-21	1056684	2-11
1050431	4-23	1056477	2-115	1056685	2-11
1050664	3-94	1056478	2-115	1056686	2-97
1050767	4-23	1056479	2-15	1056687	2-97
1050771	2-39	1056480	3-15	1056787	3-137
1050780	4-18	1056481	2-41	1056788	3-137
1050805	2-39	1056482	2-67	1056790	3-143
1050812	4-18	1056485	2-109	1056791	3-143
1050869	4-18	1056486	2-105	1056792	2-85
1050873	4-18	1056488	2-109	1056793	3-115
1051027	2-9	1056489	2-109	1056794	2-73
1051030	2-7	1056490	3-57, 3-77	1056795	2-85
1051268	4-23	1056491	3-57, 3-77	1056796	3-103
1051519	4-23	1056492	3-59, 3-79	1056799	3-99
1052017	3-91	1056493	3-59	1056800	3-77
1052230	4-18	1056494	3-47, 3-65	1056802	3-29
1052336	3-91	1056495	3-59, 3-79	1056805	3-121
1052515	4-18	1056496	2-11	1056806	3-121
1052588	2-145	1056497	2-11	1056807	3-121
1052683	3-91	1056498	2-85	1056808	2-85
1052726	3-91	1056499	3-29	1056809	2-11
1052755	3-93	1056500	2-85	1056838	2-81, 3-49, 3-69
1052832	3-91	1056502	2-11	1056839	3-85
1053078	3-91	1056503	2-13	1056840	2-81
1053340	2-83	1056504	2-13	1056841	2-51, 3-31
1053464	4-23	1056505	3-33, 3-65	1056842	2-49
1053842	2-17	1056506	2-11	1056843	3-55, 3-75
1054296	2-77, 3-29	1056508	2-83	1056844	2-59, 3-39
1054657	3-94	1056509	2-85	1056845	2-59, 3-39, 3-55, 3-75
1054776	3-91	1056510	2-85	1056846	2-79, 3-49, 3-69
1055254	3-91	1056511	2-83	1056847	2-79, 3-49, 3-69
1055255	3-91	1056512	2-13	1056848	3-47
		1056513	2-73	1056849	2-31, 2-43

CROSS REFERENCE

Part Number	Page Number	Part Number	Page Number	Part Number	Page Number
1056850	2-41	1056924	3-87	11329	2-19, 2-75, 2-79, 2-91
1056854	2-19	1056925	2-89	11398	2-75, 3-27
1056855	2-21	1056926	2-85	11399	2-4, 2-31, 2-55, 3-43,
1056856	2-69, 2-71, 3-123, 3-125	1056928	2-41		3-51, 3-53, 3-63, 3-71, 3-73, 3-83
1056857	2-43	1056929	2-41	11756	4-3
1056858	2-79	1056930	2-81	12138	2-81
1056859	2-29	1056931	2-79	12273	2-31, 2-43, 2-55, 2-57, 2-79, 3-35, 3-37, 3-115
1056860	2-27	1056932	2-81	12274	2-109
1056861	2-29	1056934	2-73	12309	2-69, 2-71, 3-119, 3-121, 3-123, 3-125
1056862	2-51	1056935	3-29	12312	2-39, 2-79, 2-81, 2-107, 2-109, 2-117, 3-91
1056863	2-61, 2-63, 3-41, 3-45	1056937	2-27	12316	2-45, 3-89
1056864	3-85, 3-113	1056938	2-75	12317	2-65, 2-67, 3-49, 3-69
1056865	3-113	1056939	2-75	12323	3-107
1056866	3-85	1056940	3-129	12333	2-61, 2-63, 3-41, 3-45
1056867	3-107	1056941	2-47	12459	2-11, 2-49
1056868	2-43	1056944	2-146, 3-93	12540	2-25
1056870	2-81	1056945	2-146	13248	2-21, 2-47, 2-49, 3-47, 3-65
1056871	2-81	1056947	2-146	13292	2-43, 2-47, 3-87
1056872	3-107	1057066	2-53, 3-33, 3-47, 3-65, 3-66	13513	2-23
1056873	3-51, 3-53, 3-71, 3-73	1057068	2-41	13902	4-17
1056874	3-57	1057069	3-7	14150	2-25
1056875	3-57, 3-59, 3-77, 3-79	1057073	3-33, 3-65	14242	2-29
1056877	3-119, 3-121	1057089	3-49, 3-69	14296	2-25
1056878	3-133, 3-135, 3-137, 3-139, 3-143	10575	3-85	14432	3-63, 3-83
1056879	2-89	1057512	2-81, 3-49	14455	2-49
1056880	2-89	1057515	2-97	14523	2-53
1056881	2-89	1057518	2-79	14524	2-53, 3-33, 3-47, 3-65
1056882	2-89	1057519	2-78	14555	2-65
1056883	3-131	1057520	3-63, 3-83	14595-1	2-83
1056884	2-15	1057521	3-63, 3-83	14601	2-23
1056887	2-77, 3-29	1057522	2-91	14605	2-83
1056888	2-77, 3-29	1057523	2-93	14725	2-59, 3-39, 3-55, 3-75
1056889	2-77, 3-29	1057526	3-61, 3-63	14838	2-7, 2-9
1056890	2-77, 3-29	1057527	3-81, 3-83	14864	2-45, 3-89
1056891	2-75	1057528	2-79, 2-81	14877	3-85, 3-87
1056892	3-27	1057529	2-89	14880	2-45, 3-89
1056894	3-27	1057530	3-73	14953	2-7
1056895	3-133, 3-139	1057531	3-53	14967	2-7
1056896	3-133, 3-139	1057644	3-129	150016	3-91
1056898	2-91	1059038	2-146	150208	3-111
1056902	3-31	1059346	2-25	15023	2-51, 3-31, 3-47, 3-65
1056903	3-65	1059348	2-29	150511	3-91
1056904	2-81	1061975	2-25	150525	2-35
1056905	2-79	1061976	2-29	150540	2-39
1056906	2-81	1062006	4-23	150709	2-39
1056907	2-79	10632-12	3-5, 3-7, 3-9, 3-11, 3-13, 3-15	150713	2-39
1056908	2-81	10632-13	2-17, 2-27	15539	2-7, 2-9
1056909	2-75, 3-27	10632-14	2-105	15648	2-49, 2-77, 2-89, 3-29
1056910	2-77, 3-29	10632-17	2-105	15675	2-21, 2-43, 2-47, 3-51, 3-53, 3-71, 3-73, 3-85
1056911	2-75	10632-19	2-35	15678	2-55, 2-57, 2-75, 2-79, 2-81, 3-27, 3-35, 3-37, 3-49, 3-51, 3-53, 3-69, 3-71, 3-73, 3-85
1056915	3-129	10632	2-23		
1056916	3-129	1064050	3-9, 3-11		
1056918	2-93	1065187	2-17		
1056919	2-49	1065190	2-115		
1056920	2-89	10917	4-13, 4-21		
1056921	2-78	10925	4-3, 4-5, 4-6, 4-7, 4-9, 4-10, 4-12, 4-20		
1056922	2-79	10926	4-3, 4-5		
1056923	3-87				

CROSS REFERENCE

Part Number	Page Number	Part Number	Page Number	Part Number	Page Number
15840	2-115	21606	2-69, 2-71, 3-119, 3-121, 3-123, 3-125	24105	3-85
15846	2-111			24198	3-47, 3-65
16356	2-55	21659	4-14	24199	2-49, 3-129
16455	2-91	21661	4-14	24254	2-53, 3-33
16695	4-16	21765	4-3	24299	2-7, 2-9
16735	2-11, 2-25, 2-39, 2-41, 3-91	21800	4-9	24358	2-45, 3-89, 3-107
16816	2-65	21935	4-19	24537	4-6, 4-7, 4-9, 4-10, 4-12, 4-20
16879	2-17	21958	4-16	24543	3-87
16914	2-55, 2-57, 3-35, 3-51, 3-71	222066	2-89	24544	2-31, 3-85
16931	2-11, 2-13, 2-25, 2-35, 2-77, 2-79, 2-81, 2-83, 2-85, 2-93, 2-95, 2-97, 2-99, 2-105, 2-111, 2-113, 3-29	222117	3-115	24555	2-69, 2-71, 3-119, 3-121, 3-123, 3-125
16949	3-57, 3-59, 3-77, 3-79	222159	2-23	24698	3-91
17188	3-91	222196	2-77, 3-29	24929	2-33
17260	2-7	222277	2-59, 3-39, 3-55, 3-75	25014	2-77, 3-29
17261	2-7	222290	2-17, 2-109, 2-144, 2-145, 3-93	25312	3-151
17262	2-7	222409	2-97, 4-6	25537	2-21
17263	2-7	222460	2-27	25538	2-115
17363	2-47, 4-3	222470	2-81	25620	2-35
17404	2-61, 2-63, 3-41, 3-45, 3-57, 3-59, 3-77, 3-79	222496	2-89	25735	2-61, 2-63, 3-41, 3-45, 3-57, 3-59, 3-77, 3-79
17461	2-93	222497	2-69, 2-71, 3-119, 3-121, 3-123, 3-125	25887	2-79, 2-81
18627	4-3	222505	2-59, 3-39, 3-55, 3-75	26103	2-89
18628	4-3, 4-5	222534	2-17	26156	2-41
18630	4-3	222556	2-59, 3-39, 3-55, 3-75	26315	2-29
19064	2-35, 3-115, 3-117	222606	4-12	26395-1	2-49
19065	2-95	222617	4-12	26395-2	3-5, 3-7, 3-13, 3-15
19066	2-17, 2-33, 2-85, 2-107, 2-109, 2-111, 2-113, 2-117, 3-5, 3-7, 3-13, 3-15	222623	4-6	26426	3-91
19312	2-107, 2-109	222625	4-6, 4-7	26428	2-89, 3-49, 3-69
19314	2-107	222627	4-6, 4-7	27880	2-41
19320	2-105	222629	4-6, 4-7	27928	2-17
19577	2-79	222635	4-6	27980	2-61, 3-41
19903	3-97, 3-99, 3-101, 3-103	222637	4-6, 4-8	28622	3-13
20802	2-13	222638	4-6	29557	2-53, 3-33, 3-47, 3-65
20806	2-67	222788	3-63, 3-83	29558	2-61
20807	3-35	222822	2-43, 3-87	29568	3-41
20810	2-31	22297	2-47	29584	2-59, 3-39, 3-55, 3-75
20833	2-3, 2-4, 2-65	223044	2-85	30013	2-73, 3-29
20932	3-97, 3-99, 3-101, 3-103	223054	2-67	30241	2-9
20944	3-107	223078	2-21	30324	2-81
20950	3-107	223090	2-23	30533	3-23
20951	3-107	223094	2-23	31647	2-111, 2-113
20952	3-107	223239	2-23	32124	2-51, 3-31
21601	2-69, 2-71, 3-119, 3-121, 3-123, 3-125	223264	2-3, 2-4, 2-5, 2-47, 4-5	32129	2-97
21602	2-69, 2-71, 3-119, 3-121, 3-123, 3-125	223320	2-23	32483	2-17, 2-47, 2-79, 2-85, 2-91, 2-95, 2-107, 2-109, 2-111, 2-115, 3-13, 3-15, 3-43, 3-63, 3-83
21603	2-69, 2-71, 3-119, 3-121, 3-123, 3-125	223470	2-73, 3-29	32485	2-23, 2-77, 2-79, 3-29
		223499	2-31	32486	2-19, 2-23, 2-29, 2-75, 2-77, 2-79, 2-81, 2-83, 2-93, 3-13, 3-15, 3-27, 3-29, 3-33
		223515	3-35	32490	2-23, 2-27, 2-33, 2-35, 2-55, 2-57, 2-79, 2-85, 2-95, 2-107, 2-109, 2-111, 2-113, 3-35, 3-37, 3-91
		223528	2-31		
		223595	3-25		
		223599	2-13		
		223600	2-23		
		223601	2-23		
		223677	4-11		
		223699	2-55		
		22655	4-16		
		22658	4-16		
		22661	4-16		
		23456	2-31, 3-97, 3-99, 3-101, 3-103		

CROSS REFERENCE

Part Number	Page Number	Part Number	Page Number	Part Number	Page Number
32491	2-11, 2-13, 2-25, 2-35, 2-39, 2-41, 2-73, 2-75, 2-77, 2-79, 2-81, 2-83, 2-85, 2-86, 2-89, 2-93, 2-95, 2-97, 2-99, 2-105, 2-107, 2-109, 3-25, 3-27, 3-29, 3-33	360520	2-17, 3-5, 3-7, 3-9, 3-11	369766	2-43, 3-87
32492	2-67, 2-77, 2-79, 2-86, 2-97, 3-19, 3-21, 3-29, 3-53, 3-73, 3-97, 3-99, 3-101, 3-103	360686	2-3, 2-5, 2-97	369795	2-75, 3-27
32493	2-11, 2-49, 3-23, 3-39, 3-47, 3-65	360768	2-91	369796	2-75, 3-27
32501	2-45, 3-89	360801	2-15, 2-39, 2-43, 2-75, 3-27	369865	3-85
32508	2-45, 3-89	360824	2-95	370080	2-7
32509	4-23	360826	2-95	370090	2-7
32525	2-97	360943	3-5, 3-7, 3-13, 3-15, 3-87, 3-117	370092	2-9
32613	2-45, 3-89	360973	3-151	370094	2-7
32614	2-45, 3-89	360980	2-25	370095	2-9
32669	2-45, 3-89	361043	2-103	370100	2-69, 2-71, 3-119, 3-121, 3-123, 3-125
32716	2-65, 2-93, 3-119, 3-121	361076	2-17	370156	2-109
32731	2-89	361144	2-17	370923	4-13
32746	2-7, 2-9	361339	2-11, 3-43, 3-63, 3-83	371905	3-97, 3-99, 3-101, 3-103
32815	2-111, 2-113	361966	4-11	373343	4-16
32940	2-83	361971	4-11	373344	4-16
32969	2-29	361973	4-11	373421	4-17
32978	2-95	361973	4-11	373422	4-16
32980	2-11, 2-23, 2-107, 2-109, 3-13, 3-15	363087	2-77, 3-29	373423	4-16
32981	2-23	363113	3-33, 3-47, 3-65	373495	2-19, 4-19
32982	2-107, 2-109, 2-111	363120	2-59, 3-39, 3-55, 3-75	373496	2-19
32983	2-21, 3-25	363151	2-67	373567	4-19
32984	2-35, 2-107, 2-109, 2-111, 2-113	363152	2-59, 3-55	373568	4-19
32988	2-111, 2-113	363162	3-119, 3-121	373569	4-19
330630	3-152	363236	2-59	373570	4-19
330631	3-152	363237	2-59, 3-55, 3-75	373571	4-19
330632	3-152	363238	3-39	373572	4-19
330633	3-152	363301	3-119, 3-121	373584	4-18
330635	3-152	363385	2-25	373585	4-18
33295	3-85	363453	2-41	374005	4-12, 4-20
33401	2-97	363468	3-49, 3-69	374185	2-81
33807	3-85	363796	2-3	374201	2-97, 4-7
33924	2-89	363827	2-85	375176	4-7
33925	3-57, 3-59, 3-77, 3-79	363856	2-73	375213	2-3, 2-4, 2-95
33930	2-59, 2-111, 2-113, 3-39, 3-55, 3-75	363981	2-83	375301	3-49, 3-69
33932	3-49, 3-69, 3-107, 3-129, 4-23	364085	2-85	375302	2-43, 3-87
33948	2-67	364404	2-59, 3-39, 3-55, 3-75	375308	3-87
34195	2-51, 3-31	364587	2-91	375322	3-85
35973	2-79, 2-81	364614	2-53, 2-65, 3-119, 3-121	375411	2-21
360181	2-97	364631	2-55, 2-57, 3-35, 3-37	375426	3-87
360352	3-91	364669	3-107	375427	3-87
360357	2-75, 3-27	364672	2-91	375429	2-43
360369	2-21	364858	2-59, 3-39, 3-55, 3-75	375431	2-31, 3-105
360370	2-21	364895	3-51, 3-71	37555	4-16
360491	2-89	364896	3-51, 3-71	377084	2-116, 2-117, 3-93
360518	2-85	364899	3-51, 3-71	377341	3-129
		365093	2-31	377349	2-45
		365096	2-31	377364	2-51, 3-31
		365156	2-51, 3-31, 3-47, 3-65	377398	3-49, 3-69
		365164	2-55, 2-57	378805	2-79
		365180	2-53, 3-33, 3-47, 3-65	378951	2-7
		365252	2-11	378983	4-3
		36593	2-97	37909	4-3
		36643	2-79	37912	4-3, 4-5
		367404	2-85	379120	2-91
		367452	2-89	379202	2-81
		369415	3-129	379217	2-27
		369702	2-11	37926	4-3
				37929	4-3, 4-5

CROSS REFERENCE

Part Number	Page Number	Part Number	Page Number	Part Number	Page Number
379891	2-95	386202	2-15	386337	3-141, 3-143
381867	2-103	386209	2-19	386338	3-148
382452	3-107	386214	2-19	386344	3-149
382991	3-87	386215	2-19	386346	2-17
383709	2-79, 4-8	386216	2-19	386348	2-107, 2-109
383720	2-117	386217	2-19	386349	2-47
383721	2-105, 2-116	38622	3-13, 3-15	386351	2-41
383722	2-105, 3-5, 3-7, 3-9, 3-11	386222	2-31	386352	2-79
383723	2-105	386223	2-3, 2-4, 2-43	386356	2-61, 2-63, 3-41, 3-45
383724	2-105	386224	2-31	386359	2-79
383725	2-105	386229	2-27	386360	2-78
383727	2-105	386230	2-7	386361	2-79
383728	2-105	386231	2-9	386364	3-107, 4-14
383835	2-95	386234	2-69, 3-119, 3-123	386367	2-29
384207	4-8	386240	2-7	386375	2-27
384256	4-8	386241	2-9	386378	2-29
384257	4-8	386250	2-7	386387	2-3, 2-4, 2-51
384258	4-8	386251	2-9	386388	2-3, 2-4, 2-51
384259	4-8	386252	2-65	386391	2-61, 2-63, 3-41, 3-45
385666	3-85	386256	2-65	386413	2-15
385682	3-35	386257	3-49, 3-69	386415	3-16
385685	2-43, 3-87	386260	2-3, 2-4, 2-61, 2-63, 3-41, 3-45, 3-57, 3-59, 3-77, 3-79	386416	3-16
385726	2-23	386262	2-63, 3-45, 3-59, 3-79	386417	3-16
385742	4-11	386263	2-61, 3-41, 3-57, 3-77	386419	2-31
385750	2-43	386264	2-69, 2-71, 3-119, 3-121, 3-123, 3-125	386420	2-31
385935	2-7, 2-9	386266	2-69, 3-123	386421	2-31
385936	2-7, 2-9	386267	2-3, 2-4, 2-43	386423	2-45, 3-89
385938	2-5, 2-81	386268	3-57, 3-77	386424	2-43
386024	2-3	386269	3-57, 3-77	386425	2-43
386025	2-3	386274	3-49, 3-69	386432	3-107
386026	2-4	386275	3-59, 3-79	386433	2-15
386027	2-4	386276	3-59, 3-79	386437	2-15
386049	2-49	386277	2-67	386444	2-43
386050	3-49, 3-69, 4-9	386279	3-63	386445	2-43
386053	2-4, 3-49, 3-69	386282	2-3, 2-4, 2-69, 2-71, 3-123, 3-125	386450	2-11
386058	3-49, 3-69	386283	2-69, 2-71, 3-123, 3-125	386458	2-25
386063	3-49, 3-69	386284	2-69, 2-71, 3-123, 3-125	386459	2-25
386066	3-49, 3-69	386285	2-69, 2-71, 3-123, 3-125	386461	2-15
386070	3-47, 3-65	386286	2-69, 2-71, 3-123, 3-125	386463	2-95
386071	3-47, 3-65	386298	2-69, 2-71, 3-119, 3-121, 3-123, 3-125	386475	2-11
386072	3-49, 3-69	386299	2-69, 2-71, 3-123, 3-125	386482	3-107
386080	3-49, 3-69	386303	2-107, 2-109	386496	3-59, 3-79
386088	2-61, 2-63, 3-41, 3-45, 3-57, 3-59, 3-77, 3-79	386307	2-115	386500	3-63, 3-83
386108	2-43	386308	2-115	386504	3-63, 3-83
386116	2-41	386311	2-17	386513	3-83
386127	2-105	386320	2-31	386514	2-5, 3-43, 3-63, 3-83
386128	2-105	386321	2-47	386518	3-43, 3-63, 3-83
386129	2-17	386323	2-3, 2-4, 2-5, 2-47	386539	2-93
386130	2-146	386324	2-31	386540	2-91
386149	2-19	386325	2-43	386554	2-93
386150	2-19	386334	3-135, 3-137	386555	2-93
386157	2-11	386335	3-133	386558	2-25
386159	2-11			386563	2-105, 2-115
386160	2-31, 2-43			386565	2-13
386162	2-31			386566	2-85
386163	3-107			386569	2-91
386200	2-11			386570	2-85
386201	2-15			386573	3-135
				386574	3-135
				386575	3-141

CROSS REFERENCE

Part Number	Page Number	Part Number	Page Number	Part Number	Page Number
386577	2-83	386829	2-3, 2-5, 2-89	387015	2-29
386578	2-83	386833	2-3, 2-4, 3-119, 3-121	387019	2-85
386579	2-83	386834	2-3, 2-4, 3-119, 3-121	387023	2-3, 2-4
386581	2-89	386835	3-119, 3-121	387027	3-129
386598	2-91	386836	3-119, 3-121	387032	2-146
386599	2-91	386841	3-49, 3-69	387035	2-25
386600	2-143	386842	3-49, 3-69	387040	2-11
386601	2-143	386844	3-47, 3-65	387041	2-11
386605	3-9, 3-11	386847	2-67, 3-119, 3-121	387043	3-129
386606	3-13, 3-15	386860	2-69, 3-123	387045	3-87
386607	3-129	386861	3-119	387049	3-107
386608	3-115	386865	3-47, 3-65	387050	3-115
386609	3-5, 3-7	386868	3-57, 3-59, 3-77, 3-79	387055	2-3, 2-81
386610	2-111, 2-113	386875	3-19	387059	2-3, 2-79
386626	2-3, 2-5, 2-89	386876	3-33, 3-65	387061	2-31, 3-87
386628	2-83	386908	2-85	387068	2-146
386629	2-83	386911	2-11	387071	2-13
386642	3-19	386915	2-27	387072	2-13
386643	2-31	386919	2-95	387073	2-13
386646	3-29	386920	2-115	387074	2-13
386652	3-87	386921	2-115	387075	2-13
386658	2-77, 3-29	386922	2-115	387076	2-13
386663	2-75, 3-27	386923	2-11	387077	2-13
386664	2-75, 3-27	386924	2-17	387078	2-13
386666	2-75, 3-27	386932	3-133	387080	3-33, 3-65
386677	3-141	386934	3-135	387081	2-97
386678	3-141	386936	3-139	387082	2-97
386679	2-51, 4-10	386939	3-141	387084	2-73
386686	2-97	386958	3-23	387085	3-29
386687	2-51, 3-31, 4-12	386961	2-49	387087	2-11
386689	2-91	386962	2-91	387090	2-73
386690	2-91	386963	3-25	387095	2-85
386694	2-91	386968	3-129	387109	3-87
386701	2-19	386969	2-83	387120	2-81
386702	2-19	386970	2-85	387126	3-101
386703	2-19, 4-16	386971	2-85	387127	3-97
386704	2-99, 4-15	386972	2-83	387138	2-11
386705	2-99, 4-17	386973	2-15	387144	2-93
386711	2-103	386979	2-13	387151	2-77, 3-29
386752	2-85	386981	2-3	387152	2-81
386753	3-29	386982	2-3	387153	2-79
386757	2-11	386983	3-19	387157	3-5
386761	2-15	386984	3-19	387158	3-13
386767	2-13	386985	2-49	387159	3-87
386769	2-13	386986	2-61, 2-63, 3-41, 3-43, 3-45, 3-57, 3-59, 3-77, 3-79	387160	3-87
386774	2-13			387161	3-87
386777	2-13			387162	3-33
386783	2-93	386987	2-61, 2-63, 3-41, 3-43, 3-45, 3-57, 3-59, 3-77, 3-79	387201	2-45
386785	2-43			387208	3-13
386801	2-91			387213	3-97
386804	2-111, 2-113	386988	2-49	387221	3-97, 3-99
386806	2-115	386989	2-95	387230	3-33
386808	2-17, 2-95	386993	2-15	387234	2-89
386809	2-17, 2-95	386995	2-15	387235	2-89
386810	2-107, 2-109	386997	2-93	387236	3-87
386811	2-25, 4-11	386998	2-93	387237	2-69, 2-71, 3-119, 3-121, 3-123, 3-125
386825	2-3, 3-31	386999	2-93		
386826	2-3, 3-31	387000	3-131	387245	3-33, 3-65
386827	3-33, 3-65	387003	3-105	387250	4-9
386828	2-3, 2-5, 2-89	387014	2-3	387251	4-9

CROSS REFERENCE

Part Number	Page Number	Part Number	Page Number	Part Number	Page Number
387256	2-5, 3-43, 3-63, 3-83	387422	3-115	387603	4-15
387257	2-69, 2-71, 3-123, 3-125	387423	2-143	387604	4-15
387258	3-119, 3-121	387424	2-143	387605	4-15
387262	3-117	387425	2-41	387606	4-15
387266	3-87	387426	2-67	387607	4-15
387268	2-89	387429	2-67, 3-119, 3-121	387608	4-15
387271	3-77	387430	2-67, 3-119, 3-121	387609	4-15
387274	2-89	387431	3-119, 3-121	387610	4-15
387275	2-89	387432	2-67	387615	2-43
387279	2-93	387433	2-69, 2-71, 3-119, 3-121, 3-123, 3-125	387622	3-144
387281	2-103	387435	3-119	387634	2-105
387282	2-103	387436	3-119, 3-121	387636	2-105
387283	2-95	387438	2-69, 2-71, 3-119, 3-121, 3-123, 3-125	387637	2-105
387284	2-95			387639	2-109
387294	2-3, 2-4, 2-51	387441	3-129	387640	2-105
387295	2-85	387442	2-83	387641	2-113
387296	2-89	387446	3-119	387648	2-109
387300	3-9	387447	3-119	387654	2-11
387301	3-5	387448	2-69, 2-71, 3-123, 3-125	387656	2-27
387302	2-143			387659	2-25
387317	3-29	387452	2-107, 2-109	387660	2-3, 2-25
387321	3-113, 4-13	387453	2-105	387671	3-61
387335	2-91	387454	2-19	387672	3-81
387340	3-85	387457	3-151	387684	2-31
387344	3-13	387467	3-89	387686	2-43
387345	2-91	387468	2-73, 3-29	387700	2-23
387346	2-25	387472	2-91	39005	2-27, 2-29, 2-53, 2-59, 2-67, 2-75, 2-77, 3-27, 3-29, 3-33, 3-39, 3-47, 3-55, 3-65, 3-75
387347	2-91	387477	2-83		
387348	2-15	387483	3-101	390879	2-77, 3-29
387349	2-97	387496	3-152	390880	2-65
387351	2-99	387498	2-85	391433	4-21
387354	4-11	387499	2-47	391451	2-31
387355	4-11	387500	2-69, 2-71, 3-119, 3-121, 3-123, 3-125	39277	2-11, 2-75, 2-85, 2-97, 3-5, 3-7, 3-9, 3-11, 3-27
387356	4-11			39278	2-83, 2-91
387357	4-11	387507	2-4	39281	2-81
387358	4-11	387509	3-43	39283	2-85
387359	4-11	387516	3-43	39284	2-23, 2-81, 3-97, 3-99, 3-101, 3-103
387361	2-11	387517	2-5, 3-43, 3-63, 3-83	39308	2-23, 2-59, 3-39, 3-55, 3-75
387371	4-10	387520	2-146	39309	2-93
387372	4-10	387525	2-146	39311	2-111, 2-113
387373	4-10	387529	2-115	39312	2-23, 2-81
387374	4-10	387542	2-95	39323	3-49, 3-69
387376	2-97	387543	2-95	39338	2-97
387383	2-95	387545	2-4, 3-43	39348	2-111, 2-113
387384	2-95	387546	2-4, 3-43	39349	2-27, 2-73, 2-79, 2-81, 2-107, 2-109, 3-5, 3-7, 3-9, 3-11, 3-29, 3-129
387385	2-95	387585	2-51, 4-20		
387386	2-95	387587	4-20	39350	2-85
387387	2-97	387588	4-20	39527	2-79
387392	2-23	387589	4-20	39717	2-23
387393	2-19	387590	4-20	397916	2-9
387397	2-89	387592	4-20	397920	2-7
387398	2-89	387593	2-43	397976	2-9
387399	2-89	387594	2-31	39807	3-13, 3-15
387404	2-95	387597	4-15	398285	3-145
387405	2-77, 3-29	387598	4-15		
387406	2-5, 2-86	387599	4-15		
387407	2-5, 2-85	387600	4-15		
387408	2-5, 2-97	387601	4-15		
387413	2-5, 2-85	387602	4-15		

CROSS REFERENCE

Part Number	Page Number	Part Number	Page Number	Part Number	Page Number
398288	3-146	44681-1	3-5, 3-7, 3-9, 3-11	55685	2-19
398291	3-150	44681-2	3-5, 3-7, 3-9, 3-11	56185	2-19
398292	3-147	44681	3-5, 3-7, 3-9, 3-11	56398	2-19
398468	2-33	44906	3-27	56690	2-19, 2-99
398501	3-85	44961	2-55, 2-57, 3-35, 3-37	56820	2-99
398511	4-5	45272	3-5, 3-9	56992	2-91
398512	4-5	45283	3-5, 3-7, 3-9, 3-11	57248	2-39
398513	4-5	45391	3-13, 3-15	57379	2-31
398514	4-5	45595	2-115	57598	2-75, 3-27
398515	4-5	45628	4-16	578060000	3-111
398516	4-5	45888	2-91	578061000	3-111
398517	4-5	46390	2-78, 2-81, 3-49, 3-69	578063000	3-111
398518	4-5	46563	2-27	578064000	3-111
398519	4-5	48609	3-109, 3-117	578066000	3-111
398520	2-47, 4-5	48610	2-57, 3-37, 3-53, 3-73,	578071000	3-109
398526	2-116, 2-117, 3-13,		3-113	578072000	3-109
	3-15	48732	3-49, 3-69	578074000	3-111
398802	3-43	48733	3-97, 3-99, 3-101,	578077000	3-111
40566	2-55, 2-57, 3-35, 3-37,		3-103	578078000	3-111
	3-51, 3-53, 3-71, 3-73	48734	3-97, 3-99, 3-101,	578091000	3-111
40607	2-47		3-103	578094000	3-111
40678-1	2-55, 2-57, 2-91, 3-91	48753	4-11	578123000	3-111
40814	2-53, 3-33, 3-47, 3-65,	48754	4-11	578124000	3-111
	3-66	48755	4-11	578125000	3-111
41178	2-13, 2-81	48758	4-11	578126000	3-111
41186	2-51, 3-31	49142	3-35	578143000	3-111
41187	2-25	49177	2-21	578154000	3-111
41305	3-57, 3-59, 3-77, 3-79	49263	2-51, 3-31	578155000	3-111
41315	3-51, 3-71	49266	2-21, 2-55, 2-57, 2-85,	578160000	3-109
41341	2-77, 3-29		2-95, 3-5, 3-7, 3-13,	578161000	3-111
41342	2-83, 2-107, 2-109		3-35, 3-37, 3-87, 3-115	578164000	3-111
41345	2-11, 2-25	49694	3-33, 3-65	578214000	3-111
41359	2-83, 2-85, 2-111	49697	2-15, 2-95	578228000	3-111
41360	2-79	49740	2-31	578276000	3-109
41367	4-9	49745	2-31	578318000	3-109
41368	4-9, 4-10	49800	2-15	578439	3-111
41371	4-9, 4-10	49826	3-53, 3-73, 3-87	578820000	3-109
41401	2-115	49914	2-77, 3-29	578821000	3-111
41410	3-85	50388	2-79, 2-81	578856	4-23
41421	2-45, 3-89	51103	2-83	579112	3-111
41430	2-23, 3-19, 3-21, 3-23	51109	2-27	57984	2-19
41451	2-45, 3-89	51225	2-49	58327	2-3, 2-5, 2-79
41454	2-45, 3-89	51338	2-29	58359	2-91
41561	2-97	51339	2-29	58494	2-59, 3-39, 3-55, 3-75
41579	2-7, 2-9, 3-107, 4-23	51414	2-85	59009	2-27
41619	2-49, 2-69, 2-71,	51528	2-77, 3-29	59542	2-91
	3-119, 3-121, 3-123,	51534	2-59, 2-67, 3-55	59661	3-59, 3-79
	3-125	51564	2-93	59840	2-91
41702	2-107, 2-109	51727	2-83	59940	2-19
42011	2-41	53268	2-33	60189	4-9
42120-1	2-91	53466	2-35	602036000	3-111
42133A	2-31	53782	2-67, 3-119, 3-121	60278	2-143
42215	2-99	54333	2-33, 2-35, 2-37, 2-39,	603103000	2-115
43290	2-49		2-55, 2-57, 3-35, 3-37,	60386	4-3, 4-5
43454	3-93		3-53, 3-73, 3-91, 3-113	607775	4-23
43500	2-67	54390	2-29	61297	4-3, 4-5
43555	2-33	54577	2-29	61298	4-3
43844	3-91, 3-107	54620	2-93	61300	4-3, 4-5
43957	2-25	54743	2-15	61301	4-3
44078	2-17	54995	2-91	613735	2-35

CROSS REFERENCE

Part Number	Page Number	Part Number	Page Number	Part Number	Page Number
61791	2-25	70756	3-57, 3-77	77334	3-35, 3-37
621478	3-49, 3-69	71026	2-107	77347	2-31, 2-43
630164	3-91	71100	2-67, 3-119, 3-121	77488	2-67
63184	3-113	71101	2-3, 2-4, 2-67	77605	2-81
63244-1	3-85	71244	2-97	78122	3-113
63244-2	3-35, 3-85	71529	2-111	78398	3-53, 3-73, 3-85
63248-1	2-9	71607	2-61, 2-63, 3-41, 3-45, 3-57, 3-59, 3-77, 3-79	78553	2-17
63248-2	2-9	71658	2-67	78740	2-31
63248-3	2-9	72164	3-13, 3-15	78842	2-31
63248-4	2-9	72172	3-13, 3-15	78950	4-13, 4-21
63416	2-31, 3-87	72174	3-13, 3-15	78951	4-13, 4-21
63430	3-117	72439	3-57, 3-77	78952	4-21
63448	3-117	72897	2-91	78979	2-65
63451	3-117	72898	2-91	79217	2-65
63740	2-113	72899	2-91	79273-1	2-37, 2-39, 3-91, 3-113
63810	2-55, 2-57, 3-35, 3-37, 3-85, 3-87	72946	2-53, 3-33, 3-39, 3-47, 3-65	79273-2	2-31, 3-85
63923	4-14	72950	3-35	79273-4	2-55, 2-57, 3-35, 3-53, 3-73
63987-1	2-55, 2-57, 3-35, 3-37	72968	2-51, 3-31, 3-115, 3-117	79320	2-3, 2-4, 2-5, 2-45, 3-89
64425	2-61, 2-63, 2-67, 3-41, 3-45, 3-57, 3-59, 3-77, 3-79	73077	2-91	79350	2-41
64489	2-77, 3-29	73467	3-107	79497	3-85
64533	2-13, 2-73	73468	3-85	79572	3-53, 3-73
64743	2-37, 2-39, 3-91	73474	2-55, 2-57, 3-35, 3-51, 3-71	79711	4-17
64778	2-37, 2-39, 3-53, 3-73, 3-91	73475	3-85	79716	4-17
65340	3-111	74027	2-85	79728	4-17
65341	3-109	74098	4-17	79731	4-17
65342	3-113	74114	4-19	79739	4-17
65580	3-115, 3-117	74142	2-19	79740	4-17
65581	3-113	74196	4-19	80127	2-75, 3-27
65582	3-111	74231	4-19	80235	2-83
65610	3-111	74232	4-19	80487	2-83
65665	2-17	74243	4-19	80491	2-61, 2-63, 3-41, 3-45
65667	4-13	74244	4-19	81710	2-79
65668	4-13	74245	4-19	81771	3-69
65670	4-13	74454	2-97	81919	2-75, 3-27
65671	4-13	74455	2-23, 3-97, 3-99, 3-101, 3-103	81922	2-107, 2-109
65672	4-13	75611	2-31, 2-45, 3-85	81952	2-65
65673	4-13	75635	3-97, 3-99, 3-101, 3-103	82829	2-15, 3-91
65674	4-13	75939	2-115	82839	2-23
65675	4-13	76062	2-107, 2-109	83052	3-49, 3-69
65676	4-13	763504	4-16	83733	2-29
65677	4-13	763508	4-16	83874	2-69, 2-71, 3-119, 3-121, 3-123, 3-125
65678	4-13	76570	2-73, 2-81, 2-89, 3-29, 3-91	84028	2-55, 2-57, 3-35, 3-37, 3-51, 3-53, 3-71, 3-73
66211	2-29	76653	2-61, 2-63, 3-41, 3-45	84057	3-113
66213	2-3, 2-4, 2-29	77001	4-17	84593	2-65
67004	3-87, 3-115, 3-117	77003	4-17	86333	2-77
67767	2-11, 2-59, 3-35, 3-37, 3-39, 3-55, 3-75	77097	2-91, 2-99	86375	2-107
68106	2-95	77227	2-65	86393	2-111
69234	3-51, 3-53, 3-71, 3-73, 3-87	77228	2-65	86508	3-85
69582	2-27	77270	3-39, 3-75	86636	2-31, 3-107
69785	2-31	77272	2-65	86759	2-61, 2-63, 3-41, 3-43, 3-45, 3-57, 3-59, 3-77, 3-79
70158	2-29	77275	3-47, 3-65	86767	3-117
70161	2-29	77276	3-47, 3-65	86824	3-35
70709	2-19	77277	3-47, 3-65	86860	2-27, 2-75, 3-27
70717	2-93				

Part Number	Page Number	Part Number	Page Number
86866	2-61, 2-63, 3-41, 3-43, 3-45	9007131	3-13, 3-15
87147	2-91	9007969	4-23
87172	2-75, 3-27	9008409	2-17
87173	3-91	9008411	2-115
87244	3-63, 3-83		
87299	2-97		
87308	2-95		
87346	2-11		
87349	2-107, 2-109		
87355	2-25		
87419	2-7, 2-9		
87482	2-107		
87483	2-107, 2-111		
87507	2-107		
87546	2-95		
87709	3-5, 3-7, 3-9, 3-11		
87725	2-23		
87750	2-25		
87816	2-61, 2-63, 3-41, 3-45, 3-57, 3-59, 3-77, 3-79		
87838	2-97		
87839	2-25		
87840	2-25		
87841	2-25		
87849	2-25		
87948	2-11		
87949	2-11		
9001397	3-126		
9001398	3-127		
9002022	2-39		
9003008	4-24		
9003009	4-24		
9004054	2-47		
9006106	3-95		
9006107	3-95		
9006108	3-95		
9006119	4-24		
9006257	3-152		
9006268	4-23		
9006270	3-91, 4-23		
9006325	4-23		
9006925	3-17		
9006930	2-71, 3-125		
9006931	3-121		
9006935	3-21		
9006938	3-137		
9006939	3-143		
9006940	3-99		
9006947	3-15		
9006948	3-11		
9006949	3-7		
9006950	2-91		
9006959	3-103		
9006963	2-95		
9006964	2-95		
9006966	2-43		
9006967	2-31		
9006973	2-31		
9006975	2-43		

CROSS REFERENCE

PART DESCRIPTION TO PAGE NUMBER CROSS REFERENCE LIST

A

Actuator, 36vdc [Head Lift], 2-83
 Actuator, 36vdc, 01.8strk, 300lb, 2-77, 3-29
 Actuator, 36vdc, 02.1stroke 500lb, 2-67
 Actuator, 36vdc, 02.7stroke 500lb, 2-59, 3-55
 Actuator, 36vdc, 7.0stroke, 700lb, 2-49
 Actuator, Mount, 2-83
 Actuator, Rollout, 2-93
 Adapter, Brush, 2-75, 3-27
 Adaptor, Brush, 2-7, 2-9
 Adaptor, 3-111
 Alarm Assy, Backup, 12/48Vdc, 3-13, 3-15
 Alarm Kit, Backup / A/V, Iron Gray, Ci, 3-15
 Alarm, 9-48vdc, 95 Db(A) [Ec-H20], 3-91
 Alarm, Warning, 10-48vdc, 2-17
 Angle, 1.00 0.75 .12t 00.8l Hr, 3-41
 Angle, Battery, R/O, Iron Gray, 3-129
 Angle, Bmpr, Mtg, Iron Gray, 2-85
 Angle, Bmpr, Mtg, Lh, Iron Gray, 3-29
 Angle, Bumper, Mtg, Lh, 3-29
 Angle, Bumper, Mtg, Rh, 2-85
 Angle, Cable, Keeper, 2-83
 Angle, Cable, Keeper, 2-83
 Angle, Iron Gray, 2-97, 2-99, 3-51, 3-53, 3-61, 3-63, 3-71, 3-73, 3-81, 3-83
 Angle, Mtg, Es, Iron Gray, 3-85, 3-113
 Angle, Mtg, Fitr Shaker, 2-95
 Angle, Mtg, Front, Iron Gray, 2-89
 Angle, Mtg, Front, 2-89
 Angle, Mtg, Pump, Detgt, Iron Gray, 3-107
 Angle, Rh, 2-11
 Angle, Wand, Clean-Out, Iron Gray, 3-87
 Angle, 2-83, 2-85, 2-97, 2-99
 Arm Assy, Lift, Hppr, W/ Label, Iron Gray, 2-91
 Arm Wldt, Brake, Lh, Iron Gray [7200], 2-29
 Arm Wldt, Brake, Rh, Iron Gray [7200], 2-29
 Arm Wldt, Brush (Replaced by 374186), 2-81
 Arm Wldt, Brush, Drive, Iron Gray, 2-78, 2-79
 Arm Wldt, Brush, Idler, Iron Gray, 2-81
 Arm Wldt, Flap, Iron Gray, 2-89
 Arm Wldt, Flap, Lower, Iron Gray, 2-89
 Arm Wldt, Front, Lh, Iron Gray, 3-59
 Arm Wldt, Front, Lh, 3-59, 3-79
 Arm Wldt, Front, Rh, Iron Gray, 3-57, 3-77
 Arm Wldt, Front, Rh, 3-57, 3-77
 Arm Wldt, Iron Gray, 2-93
 Arm Wldt, Lift, Hopper, W/ Label, [8300], 2-91
 Arm Wldt, Lift, Scb Head, Gray [7300], 2-49
 Arm Wldt, Pivot, Side, Gray [7300/8300], 2-59, 3-39, 3-55, 3-75
 Arm Wldt, Rear, Lh, Iron Gray, 3-59, 3-79
 Arm Wldt, Rear, Lh, 3-59, 3-79
 Arm Wldt, Rear, Rh, Iron Gray, 3-57, 3-77
 Arm Wldt, Rear, Rh, 3-57, 3-77
 Arm Wldt, 2-67

Arm, Cntrl, Throttle, Electronic, 2-23
 Arm, Iron Gray, 2-89
 Arm, Latch, Iron Gray, 3-57, 3-59, 3-79
 Arm, Latch, 3-77
 Arm, Mtg, Side Sqge Frame, Ele, Gray, 2-61, 2-63, 3-41, 3-45
 Arm, Safety W/ Label, [8300], 2-91
 Armature and Fan Assembly, 4-11
 Armature Assy, Complt, 4-9
 Armature Fan, 4-11
 Armature, 4-3, 4-5
 Axle, Wand, 3-111

B

Bag, Power, 3-115, 3-117
 Ball, Check, Strg Valve, 4-19
 Ball, Check, 4-15
 Balljoint, .25-.28 Fem/.25-.28mal, 2-23
 Bar Assy, Spray [7300/8300], 3-73
 Bar Wldt, Battery, R/O, 3-129
 Bar Wldt, Flap, Lh, Iron Gray, 2-89
 Bar Wldt, Flap, Rh, Iron Gray, 2-89
 Bar Wldt, Retainer, Sqge, Rear, 2-69, 2-71, 3-119, 3-121, 3-123, 3-125
 Bar, 2-31, 2-43
 Battery Kit, 36vdc 0600ah, Sealed, Ci, 3-137
 Battery Kit, 36vdc 1000ah, Wet, Gray, Ci, 3-143
 Battery Kit, Wet, 36vdc 0500ah, Ci, 3-133
 Battery, 36vdc 1000Ah Wet, 3-141, 3-143
 Battery, 36vdc, 600ah, Sealed, 3-135, 3-137
 Battery, Wet, 36vdc 0500ah, 3-133
 Battery, Wet, 36vdc 0750ah, 3-139
 Bearing Assy, 2-97
 Bearing cover, 4-13
 Bearing Kit, 4-6, 4-7, 4-8, 4-19
 Bearing, Ball, 0.59b 1.26d 0.35w, 2-79
 Bearing, Ball, 0.67b 1.57d 0.47w, 2-97
 Bearing, Ball, 0.79b 1.85d 0.55w, 2-78, 2-81, 3-49, 3-69
 Bearing, Ball, 1.00b 2.00d 0.50w, 2-91
 Bearing, Cone, 1.38b 0.71w, 2-29
 Bearing, Cup, 2.56d 0.55w, 2-29
 Bearing, Flange, 2-19
 Bearing, Needle, 0.25b 0.88d 0.50w, 3-129
 Bearing, Self Align, 1.25b 2.00d, 2-91
 Bearing, Sleeve, 0.62od, 2-89
 Bearing, Sleeve, 1.25id, 2-91
 Bearing, Sleeve, 1.75id, 2-91
 Bearing, Thrust, 0.66b 1.25d 0.06w, 2-65, 2-67, 2-77
 Bearing, Thrust, 0.75b 1.25d 0.06w, 2-67
 Bearing, Thrust, 2-27, 2-75, 3-27, 4-16
 Bearing, W/ Collar, 0.75b 1.85d 1.06w, 2-79, 2-81
 Bearing, 2-25, 4-3, 4-5, 4-6, 4-8, 4-9, 4-10, 4-11, 4-12, 4-20
 Bellcrank, Lift, Head, Iron Gray, 2-49
 Belt, Drive (Cylindrical Brush), 3-49, 3-69
 Belt, Drive, 2-4

Belt, V, [3v] 33.5l, 2-3, 2-5, 2-97
 Belt, V, [Hc41] 41.0l, 2-3, 2-5, 2-79
 Belt, V, 2-79
 Blade Assy, Sqge, Side, 2-4, 3-43
 Blade Kit, Sqge, Ure, [Mp1000], 3-126
 Blade Kit, Sqge, Ure, [Mp1200], 3-127
 Blade, Sqge, Front 48.0l, 2-3, 2-4, 3-119, 3-121
 Blade, Sqge, Front, Mp1000, Tile, 2-69, 2-71, 3-123, 3-125
 Blade, Sqge, Front, Mp1200, Tile, 3-119, 3-121
 Blade, Sqge, Front, 2-3, 2-4, 2-69, 2-71, 3-123, 3-125, 3-126, 3-127
 Blade, Sqge, Rear 48.0l, 2-3, 2-4, 3-119, 3-121
 Blade, Sqge, Rear, 2-3, 2-4, 2-69, 2-71, 3-123, 3-125, 3-126, 3-127
 Blade, Squeegee, 2-4, 3-43, 3-111
 Block, Adj, 2-77, 3-29
 Bolt, Carriage, .38-16 X 2.00, 2-79
 Bolt, Eye, M10x1.5 X 2.0 X .28 Eye, 2-67, 3-119, 3-121
 Bolt, Eye, M8 X 1.25, 2.75l, 2-61, 2-63, 3-41, 3-45, 3-57, 3-59, 3-77, 3-79
 Bolt, Shld, .38DX0.38, .31-18, 3-129
 Bolt, 2-25
 Boot, 90deg .50d .57d X .84, 2-25
 Boot, Circuitbreaker, 3-91
 Boot, Protector, Circuitbreaker, 2-105
 Box, Accelerator, 2-23
 Box, Circuitboard, Iron Gray, 2-115
 Box, Circuitboard, 2-115
 Brace, Hppr, Ext, Iron Gray, 2-85
 Brace, Hppr, External, 2-85
 Brace, Hppr, Int, Iron Gray, 2-85
 Brace, Hppr, Internal, 2-85
 Bracket Wldt [7300/8300 FaST], 2-35
 Bracket Wldt [7300/8300-FaST], 2-35
 Bracket Wldt [7300/8300 Fast li+], 2-39
 Bracket Wldt, Actuator, Iron Gray, 2-83
 Bracket Wldt, Hose, Water, Iron Gray, 2-41
 Bracket Wldt, Module, 3-91
 Bracket Wldt, Mtg, Fan, Iron Gray, 2-47
 Bracket Wldt, Mtg, Fan, 2-47
 Bracket Wldt, Mtg, Guard, Side Brush, 2-75
 Bracket Wldt, Mtg, Motor, Gray [8300], 2-75
 Bracket Wldt, Mtg, Spring, 2-61, 3-41
 Bracket Wldt, Pivot, 2-65
 Bracket Wldt, Steering, Tilt, Iron Gray, 2-19
 Bracket Wldt, Tank, 2-43
 Bracket, Adapter, Mtg, Kick In, Frame, 3-33, 3-65
 Bracket, Adaptor, Mtg, Kick In, Frame, 3-33, 3-65
 Bracket, Bar, Spray, 40.0 [7300/8300], 3-53
 Bracket, Bar, Spray, 48.0 [7300/8300], 3-73
 Bracket, Bmpr, Iron Gray, 2-85
 Bracket, Brg, Mtg, Iron Gray, 2-81
 Bracket, Bumper, 2-85
 Bracket, Cntrl, Cable, Iron Gray, 2-41

CROSS REFERENCE

- Bracket, Component, 3-91
Bracket, Fan End, 4-5
Bracket, far End, 4-3
Bracket, Full, 2-31, 3-87
Bracket, Guard, Iron Gray, 2-41
Bracket, Guard, 2-41
Bracket, Handle, Water, Iron Gray, 2-41
Bracket, Harness, Iron Gray, 2-43
Bracket, Hopper, Lh, 2-91
Bracket, Hppr, Lh, Iron Gray, 2-91
Bracket, Hppr, Rh, Iron Gray, 2-91
Bracket, Iron Gray, 2-15, 2-77, 2-97, 3-29
Bracket, Latch, Door, Iron Gray, 2-11
Bracket, Latch, Door, 2-11
Bracket, Lh, Iron Gray, 2-11
Bracket, Lh, 2-11
Bracket, Mtg [Fast li+], 2-39
Bracket, Mtg, Circuitbreaker, [Hi-Mag], 2-105
Bracket, Mtg, Controller, Sgl, Iron Gray, 2-109
Bracket, Mtg, Controller, Sgl, 2-109
Bracket, Mtg, Es, Iron Gray, 3-85
Bracket, Mtg, Iron Gray, 2-11, 3-7, 3-15
Bracket, Mtg, Motor, Iron Gray, 2-75, 3-27
Bracket, Mtg, Pump, Detgt [7300/8300], 2-35
Bracket, Mtg, Relay, Iron Gray, 2-109
Bracket, Mtg, Relay, 2-109
Bracket, Mtg, Tank, Iron Gray, 2-31, 2-43
Bracket, Mtg, Valve, Solenoid, 2-33
Bracket, Mtg, 2-11, 3-5, 3-13, 3-111
Bracket, Panel, 2-25
Bracket, Panl, Iron Gray, 2-25
Bracket, Pivot, Iron Gray, 2-77, 3-29
Bracket, Protector, Float Switch, 2-43, 3-87
Bracket, Retainer, Filter, 2-43
Bracket, Retainer, Spring, 2-7, 2-9
Bracket, Retaining, Filter, 2-43
Bracket, Retaining, Iron Gray, 2-43
Bracket, Retaining, Tank, Detgt, 3-107
Bracket, Rh, Iron Gray, 2-11
Bracket, Rh, 2-11
Bracket, Sppt, Auto Fill, Iron Gray, 3-85
Bracket, Spring, Iron Gray, 2-67
Bracket, Step, Iron Gray, 3-33
Bracket, Stop, Bar, Lh, Iron Gray, 3-121
Bracket, Stop, Bar, Rh, Iron Gray, 3-121
Bracket, Stop, Frame, Iron Gray, 2-51
Bracket, Stop, Frame, 3-31
Bracket, Switch, Iron Gray, 2-85
Bracket, Switch, 2-85
Bracket, Tube , Tee, 3-43, 3-63, 3-83
Bracket, Valve, Large, 4-23
Bracket, Wand, Power, Iron Gray, 3-113
Bracket, 2-97, 3-33, 3-111
Brake Assy, 2-29
Brake Repair Kit, 2-29
Brake Shoes, 2-29
Brush , 4-20
Brush Assy, Disk, Scb, 16.0 D, Pyp, 2-9
Brush Assy, Disk, Scb, 16.0D, Nylon, 2-9
Brush Assy, Disk, Scb, 16.0D, Super Abrasive, 2-9
Brush Assy, Disk, Scb, 20.0 D, Nyl, 2-7
Brush Assy, Disk, Scb, 20.0 D, Pyp, 2-7
Brush Assy, Disk, Scb, 20.0 D, Super Abr, 2-7
Brush Holder Assy, 4-10
Brush Holder Cap, 4-6, 4-7
Brush Kit, Motor, 2-47
Brush Kit, 4-6, 4-7, 4-10, 4-12
Brush Mechanism, 4-5
Brush mechanism, 4-3
Brush Palte, 4-11
Brush, Block, Scrub, Ab, 3-111
Brush, Block, Scrub, Poly, 3-111
Brush, Board, Assy, 4-20
Brush, Carbon, 3-49, 3-69
Brush, Conveyor, Cyl, 35l, 4sr, 2-5
Brush, Disk, Swp, 19.0D, Pyp (Option), 2-7, 2-9
Brush, Motor, Ele, 4-11
Brush, Scrub, 39l, 20sr, Nyl, Spl, 2-7
Brush, Scrub, 39l, 20sr, Pyp, Spl, 2-7
Brush, Scrub, 39l, 20sr, Super Abr, Spl, 2-7
Brush, Scrub, 47l, 20sr, Nyl, Spl, 2-9
Brush, Scrub, 47l, 20sr, Pyp, Spl, 2-9
Brush, Scrub, 47l, 20sr, Super Abr, Spl, 2-9
Brush, Swp, 36l, 6dr, Spl, 2-7, 2-9
Brush, Swp, 36L, Window, Pp, Spl, 2-7, 2-9
Brush&Spring Assy, 4-6, 4-7
Brush/rectifier Assy, 4-13
Brush, 4-8, 4-9
Brushholder, Motor, Ele, 2-75, 3-27
Bumper Wldt, Iron Gray, 2-85, 3-29
Bumper Wldt, Lh, Iron Gray, 2-85, 3-29
Bumper Wldt, Lh, 2-85, 3-29
Bumper Wldt, Rh, Iron Gray, 2-85
Bumper Wldt, Rh, 2-85
Bumper Wldt, 2-85, 3-29
Bumper, Neo, 1.5d .63t .31h, 2-53, 2-65, 3-119, 3-121
Bumper, Poly-E, 2-69, 2-71, 3-119, 3-121, 3-123, 3-125
Bumper, Posi Drain, Recvy Side, 3-97, 3-101
Bumper, Pye, 2-51, 3-31, 3-47, 3-65
Bumper, Rbr, 1.00d 0.38t .25-20, 2-13
Bumper, Rbr, 1.19d .72l, 2-49
Bumper, Rbr, 2.0d 0.75t .38-16, 3-57, 3-77
Bumper, Rear, Lh, Iron Gray, 3-17
Bumper, Rear, Lh, 3-16
Bumper, Rear, Rh, Iron Gray, 3-17
Bumper, Rear, Rh, 3-16
Bumper, Side, Recvy, Gray [Posi Drain], 3-99
Bumper, Side, Scb Head, Wide, Iron Gray, 3-33, 3-65
Bumper, Side, Scb Head, Wide, 3-33, 3-65
Bumper, Side, Soltn, Gray [Posi Drain], 3-103
Bumper, Sqge, 2-69, 2-71, 3-119, 3-121, 3-123, 3-125
Bumper, 3-47, 3-65
Busbar, .06 0.6w 2.5l 2/.28h, 2-107, 2-111
Busbar, Fuse, .6 0.6w 0.8h 2.0l, 2-107
Bushing Assy, Fng, 2 Hole, 0.50b, 2-19
Bushing Assy, Fng, 4 Hole, 1.57b, Stl, 2-97
Bushing, Fng, 0.50b 0.59d 0.38l, 2-49, 2-77, 2-89
Bushing, Fng, 0.63b 0.72d 0.25l, 2-41, 2-49, 2-59, 3-39, 3-55, 3-75
Bushing, Fng, 0.63b 0.75d 0.38l, 2-61, 2-63, 3-41, 3-45, 3-57, 3-59, 3-77, 3-79
Bushing, Fng, 1.00b 1.13d 0.38l, 2-29
Bushing, Fng, 1.50B 0.59D 0.38L, 3-29
Bushing, Fng, 1.50b 1.65d 1.00l, 2-93
Bushing, Light, Led, 3-93
Bushing, Sleeve, 0.37b 0.50d 0.50l, 2-27
Bushing, Sleeve, 0.50b 0.59d 0.25l, Bnz, 2-89
Bushing, Sleeve, 0.63b 0.72d 0.25l, 2-89
Bushing, Sleeve, 0.63b 0.72d 0.38l, 2-61, 2-63, 3-41, 3-45, 3-57, 3-59, 3-77, 3-79
Bushing, Sleeve, 0.88b 1.00d 0.75l, Bnz, 2-91
Bushing, Taper Lock, 2-19
Button, Plug, 0.50H .03-.12 [Black Nyl], 2-91
Button, Plug, 1.1 X 1.1h, Black, Plstc, 2-17
- ### C
- Cable, .12d, 13.3l, .2clevis/.2clevis, 2-3, 2-4, 2-67
Cable, .13d, 10.0l, .51eye /.51eye, 2-75, 3-27
Cable, .13d, 15.5l, .50eye /.50eye, 2-59, 3-39, 3-55, 3-75
Cable, Brush, Lift, 2-83
Cable, Flap, Lift, 2-83
Cable, Pull, 2-27
Cable, Push Pull, 2-41
Cable, Ribbon, 34 Conductor, 2-17
Cable, Safety, Battery, 3-129
Cam, Front, 3-49, 3-69
Cam, Rear, 2-69, 2-71, 3-49, 3-69, 3-119, 3-121, 3-123, 3-125
Cam/bearing\Diaphram Kit, 4-13
Cam, 2-69, 2-71, 3-119, 3-121, 3-123, 3-125
Cap Assy, 3-97, 3-99
Cap, Brush, Motor, Ele, 2-75, 3-27
Cap, Dust, 3-97, 3-99, 3-101, 3-103
Cap, End, 4-16, 4-19
Cap, Hub 2.567 Hole, 2-29
Cap, Neoprene Black, 2-67, 3-35
Cap, Plastic, 2-31
Cap, Screw Cl, 4-16
Cap, Tank, Drain, 2.25 Thread Pye, 2-45, 3-89

- Cap, Tank, Drain, 3.85 Thread Pye, 2-45, 3-89
- Cap, Tank, Drain, 6.17 Thread Pye, 2-31, 3-97, 3-99, 3-101, 3-103
- Cap, Tank, 2-45, 3-89, 3-107
- Cap, Tube, 2-19
- Cap, Vyl, .234id .750l .04, 2-15
- Capacitor, Plug [.01 Uf, 200v], 3-93
- Caster Kit, Sqge, Replmt, 2-65
- Chain, Arm, 2-93
- Chain, Coil, Str, #210, 09.0l 07 Link, 2-67
- Chain, Drive, 2-93
- Chain, Roller, #40 X 109 Pitches, 2-19
- Chain, Sash, #35, 07.2l 13 Link, 3-97, 3-99, 3-101, 3-103
- Channel Wldt, Guard, Rh, Iron Gray, 2-71, 3-125
- Channel Wldt, Iron Gray, 2-65, 2-89, 3-121
- Channel Wldt, Steering, Iron Gray, 2-11
- Channel Wldt, Steering, 2-11
- Channel Wldt, 2-65, 2-69, 2-89, 3-119, 3-123
- Channel, .19, 2.5w 1.0 29.3l, H&S, Gray, 2-31
- Channel, Battery, R/O, Iron Gray, 3-129
- Channel, Iron Gray, 2-77, 3-29
- Channel, Spring, 2-67
- Channel, Stop, Lh, 3-119
- Channel, Stop, Rh, 3-119
- Channel, 2-31, 2-43
- Charger, 36V, 210A, 60Hz, 3Ph, 3-150
- Charger, 36V/120A 60H/1Ph 480V, 3-145
- Charger, 36V/120A 60H/3Ph 480V, 3-146
- Charger, 36V/150A 60Hz, 3-147
- Charger, 36V/93A 60Hz, 1Ph, Sealed, 3-148
- Charger, 36V/93A 60Hz, 3Ph, Sealed, 3-149
- Check valve assy, 4-13
- Chrome Pltd Cam Shaft, 2-29
- Circuitboard Assy [7300/8300, Imp], 2-115
- Circuitboard Assy Kit [7300/8300], 2-115
- Circuitboard, Pedal, 2-23
- Circuitboard, Sweeper, [8300], 2-115
- Circuitbreaker, 10.0a, 2-105, 2-116
- Circuitbreaker, 15.0a, 2-105
- Circuitbreaker, 20.0a, 2-105
- Circuitbreaker, 25.0a, 2-105
- Circuitbreaker, 40.0a (Power Steering Option), 2-105
- Circuitbreaker, 50.0a (Center Brush Option), 2-105
- Circuitbreaker, 05.0A, Resetable, 2-117
- Circuitbreaker, 15.0 A, 3-5, 3-7, 3-9, 3-11
- Circuitbreaker, 2.0a, Resetable, 3-91
- Circuitbreaker, 20.0a [Resetable], 2-105
- Circuitbreaker, 30.0a, Resetable, 2-105
- Circuitbreaker, 40a, (Max Prot 1000 Disk W/Std Motor), 2-105
- Circuitbreaker, 40a, (Max Prot 1200 Disk), 2-105
- Circuitbreaker, 45a, (Max Prot 1000 Cylindrical), 2-105
- Circuitbreaker, 45a, (Max Prot 1000 Disk W/Hd Motor), 2-105
- Circuitbreaker, 45a, (Max Prot 1200 Cylindrical), 2-105
- Circuitbreaker, 50.0a, 2-105
- Circuitbreaker, 30.0a, 2-105
- Clamp Wldt, Front 48.0l, 3-119, 3-121
- Clamp Wldt, Front, 2-69, 2-71, 3-123, 3-125
- Clamp Wldt, Rear 48.0l, 3-119, 3-121
- Clamp Wldt, Rear, 2-69, 2-71, 3-123, 3-125
- Clamp, Cable, Stil, 0.38d X 0.38w, 1h, 3-5, 3-7, 3-13, 3-15
- Clamp, Cable, Stil, 0.56d X 0.38w, 1h, 2-49
- Clamp, Cable, Stil, 0.63d X 0.75w, 1h, 2-15
- Clamp, Cable, Stil, 0.63d X 0.75w, 1hole, 3-91
- Clamp, Cable, Stil, 0.69d X 0.62w, 1h, 2-11, 2-59, 3-35, 3-37, 3-39, 3-55, 3-75
- Clamp, Cable, Stil, 0.75d X 0.75w, 1h, 3-53, 3-73
- Clamp, Cable, Stil, 0.88d X 0.62w, 1h, 2-55, 2-57, 2-91
- Clamp, Cable, Stil, 0.88d X 0.62w, 1hole, 3-91
- Clamp, Cable, Stil, 1.00d X 0.62w, 1h, 3-51, 3-53, 3-71, 3-73, 3-87
- Clamp, Cable, Stil, 1.50d X 1.00w, 1h, 2-35
- Clamp, Hose .40 - .42 2 Wire, 2-35
- Clamp, Hose, Plstc, 1.60d X 0.62w, 2-45, 3-89
- Clamp, Hose, Wir, .52 - .56, Yel, 4-23
- Clamp, Hose, Wir, .63 - .66, Blk, 4-23
- Clamp, Hose, Wormdrive, 0.25-0.62d, .31w, 3-91
- Clamp, Hose, Wormdrive, 0.25-0.62d, 3-107
- Clamp, Hose, Wormdrive, 0.31-0.88d, .31w, 2-39, 2-55, 3-91
- Clamp, Hose, Wormdrive, 0.31-0.88d, 2-33, 2-35, 2-37, 2-57, 3-35, 3-37, 3-53, 3-73, 3-113
- Clamp, Hose, Wormdrive, 0.50-1.06d, 3-35
- Clamp, Hose, Wormdrive, 0.56-1.06d, .56w, 2-55, 2-57, 3-35, 3-37, 3-87
- Clamp, Hose, Wormdrive, 0.56-1.06d, 3-85
- Clamp, Hose, Wormdrive, 0.81-1.50d, 2-4, 2-31, 2-55, 3-43, 3-51, 3-53, 3-63, 3-71, 3-73, 3-83
- Clamp, Hose, Wormdrive, 1.56-2.50d, 2-47
- Clamp, Hose, Wormdrive, 1.62-3.50d, 2-33
- Clamp, Hose, Wormdrive, 1.81-2.75d, 3-63, 3-83
- Clamp, Hose, Wormdrive, 2.50-3.50d, .50w, 3-91
- Clamp, Hose, 3-109, 3-111
- Clamp, Ribbon Cable, Hold-Down, 2-17, 2-95
- Clamp, Ribbon Cable, 2-17, 2-95
- Clamp, 4-3
- Clevis, Adj, 0.19pin, #10-32, 2-41
- Clevis, Adj, 0.25pin, .25-28, 2-83
- Clevis, Adj, 0.38pin, 0.31-24, Lh, Pl, 2-29
- Clevis, Adj, 0.38pin, 0.31-24, Pl, 2-29
- Clevis, Adj, 1.12pin, 1.00-14, 2-83
- Clip, Finger Grip, 3-87, 3-115, 3-117
- Clip, Motor, Ele, 2-75, 3-27
- Clip, Spring, Prop Arm, 2-91, 3-63, 3-83
- Clip, Sprocket, 2-25
- Clip, Sqge, 3-57, 3-59, 3-79
- Coil 36v, 4-17
- Column, Steering (Replaced by 387653), 2-19
- Column, Steering, #14.0L .81D 36Tooth, 2-19
- Comm. Bracket, 4-5
- Comm. bracket, 4-3
- Connector assy, 4-13
- Connector Body, 4-10, 4-12, 4-20
- Connector Kit, Tubing, 4-14
- Connector, 2 Conductor, 4-5, 4-6, 4-7
- Connector, 2 conductor, 4-3
- Connector, 2-Conductor, 4-9
- Connector, 350a, Gray [Anderson], 3-133, 3-139
- Connector, Andersn 350A, Gray, 3-145, 3-146
- Connector, Anderson, 350A, Gray, 3-135, 3-137, 3-141, 3-143, 3-147, 3-148, 3-149, 3-150
- Connector, Fem, 2cav, Mp280 Sealed, 4-21
- Contact, Switch, 2-17
- Contact, 36vdc, [Spno], 2-107
- Contact, 36vdc, 100a, Spst, 2-109
- Contact, 36vdc, 200a, Dpdt, 2-109
- Contact, 36vdc, 200a, Spst, 2-109
- Contact, 36vdc, Spdt, 2-107
- Contact, 36vdc, 2-107
- Controller Kit, Replmt [ec-H2O], 4-23
- Controller, Motor, 36vdc, 1205, 2-107
- Controller, Motor, 36vdc400A, 2-109
- Conveyor, Cyl, 35L, 4Sr, Pp, 2-81
- Coupling Body, Qf, Pm08, 2-37
- Coupling Insert, Qm, Bm08, 2-37
- Coupling, Fem, W/ Valve, .25 Brb, 2-35
- Coupling, Flexible, 4-15
- Coupling, Mal, .25 Npt, 3-35
- Cover Kit, Recvy, W/ Gasket, Teal, 2-43
- Cover Kit, Soltn, W/ Gasket, Teal, 2-31
- Cover Kit, Soltn, W/ Gasket, 2-31
- Cover Wldt, Iron Gray, 2-15
- Cover Wldt, Top, Iron Gray, 2-13
- Cover Wldt, Top, 2-13
- Cover Wldt, 2-15
- Cover, Chain, Teal, 2-93
- Cover, Chain, 2-93
- Cover, Controlbox, 2-105
- Cover, Cooling Fan, 2-47

CROSS REFERENCE

Cover, Drive, 3-49, 3-69
Cover, Hopper, 2-95
Cover, Hppr, Teal, 2-95
Cover, Idler, 3-49, 3-69
Cover, Insert, 2-45, 3-89
Cover, Iron Gray, 2-115
Cover, Rear, Teal, 2-15
Cover, Rear, 2-15
Cover, Reservoir, 4-15
Cover, Tank, Solution, 2-31
Cover, Tank, Top, Teal, 2-15
Cover, Tank, Top, 2-15
Cover, Tank, 2-31, 3-107
Cover, Vac Fan, W/ Label, [8300], 2-97
Cover, 2-115
Cradle Wldt, Battery, Iron Gray, 3-131
Crank Replacement Kit, 4-14
Cuff, Swivel, 3-109
Cup Holder, 2-13
Cup Wldt, Skid, 2-11
Cylinder, Hyd, 2.0b, . L, 12.00strk, 2500, 2-91

D

Detergent Pkg, 2 Liter, Sgl, 365, 2-35
Detergent Pkg, 2 Liter, Sgl, 665, 2-35
Detergent Pkg, 4 Liter, Sgl [Tco 665], 2-35
Device, Centering, 2-7, 2-9
Diaphragm kit, 4-13
Diode, Ele, Plug, 2-17, 2-109, 2-144, 2-145, 3-93
Disc, 4-3
Disk, Pad Drive, W/ Face, 20d, 2-7
Disk, Pad Driver, W/Face, 16D, 2-9
Door Wldt, Side, Iron Gray, 2-13
Door Wldt, Side, 2-13
Door, Brush, Iron Gray, 2-79, 2-81
Door, Brush, Lh, Iron Gray, 2-73, 3-29
Door, Brush, Lh, 2-73, 3-29
Door, Brush, Rh, Iron Gray, 2-73
Door, Brush, Rh, 2-73
Drain Kit, Gray, Ci [Posi Cntrl/Recvy], 3-99
Drain Kit, Gray, Ci [Posi Cntrl/Soltn], 3-103
Drive, Main Cl, 4-16
Drive, Valve, Strg, 4-19
Driver Assy, Pad, 16D, 2-9
Driver Assy, Pad, 20.0D, 2-7
Drum, Cable, Lift, 2-67
Duct, Afmkt, Vyl, 0.40 X 0.75 .25D, 04Ft, 3-9, 3-11
Duct, Vinyl 3.5l, 2-77

E

Ear, 2-93
Ec-H2o Kit, Module C, Plumbing, 4-23
Ec-H2o Kit, Cylrcl, 1000mm, Ci [73/8300], 3-95
Ec-H2o Kit, Cylrcl, 1200mm, Ci [73/8300], 3-95
Ec-H2o Kit, Disk, Ci [7300/8300], 3-95

Electrode, 5 Plate, High Flow, 4-23
Electrode, Cylindrical, 4-23
Element, Filtr, 4-15
Extinguisher, Fire, 3-151

F

Fan Assy, Vacuum (See Breakdown) (Replaced by 398520), 2-47
Fan Assy, Vacuum (See Breakdown), 2-47
Fan vacuum, 36v, 4-3
Fan, rotating, 4-3
Fan, stationary, 4-3
Fan, Vacuum, 4-5
Fan, 4-3, 4-5
Fast 665 4 Ltr, Detergent, 2-39
Fast 965 4 Ltr, Detergent, 2-39
FaST Kit, Ci [Inj Reblnd, 7300/8300], 4-24
Fast Kit, Ci, Injector Filters [Fast li+], 4-24
Fast Kit, Ci, Injector Seals [Fast li+], 4-24
Filter Assy, Air, Molded Ure, 2-35
Filter, Foam, 2-37
Filter, In-Line, Pf06/Pf06 080mesh 02.6l, 2-39, 3-91
Filter, Inline, Pf06/Pf06, 80 Mesh, 2-37
Filter, Panl, Dust, 2.0 X 06.1 X 07.6, 2-3, 2-4, 2-43
Filter, Pkg, Dust, Panl, 81plts, 2-3, 2-4
Filter, Soltn, 20mesh, Pf16 3.1d 02.3l, 2-31
Fitting 1/8mx1/4h Barb Brs, 2-35
Fitting Assy, Cap, 0.067b, Pf04, 2-33
Fitting Assy, Cap, 0.086b, Pf04, 2-33
Fitting Assy, Qdc, Pf04, 3-91
Fitting, Brs, E90, Cf03/Pf02, 2-35
Fitting, Brs, E90, Pm04/Bm08, 2-33
Fitting, Brs, Qdc, Bm12/Qf08, 3-85
Fitting, Brs, Qdc, Pm04/Qf06, 3-113
Fitting, Brs, Str, Pf04/Pf04 Bkhd, 3-113
Fitting, Brs, Str, Bm06/Pf02, Spcl, 3-91
Fitting, Brs, Str, Bm06/Pf04, 3-91
Fitting, Brs, Str, Pf02/Pm06, 3-91
Fitting, Brs, Str, Pm02/Bm03, 2-47
Fitting, Brs, Str, Pm02/Pm02, 4-23
Fitting, Brs, Str, Pm04/Pm04, 2-33
Fitting, Brs, Str, Pm04/Pm06, 2-33
Fitting, Brs, Tee, Pf04/Pf04/Pm04, 2-33
Fitting, Brs, Tee, Pf04/Pm04/Pf04, 2-33
Fitting, Brs, Tee, Pf02/Pf02/Pm02, Run, 3-91
Fitting, Brs, Tee, Pm04/Pf04/Pf04, Run, 2-39
Fitting, Coupler, Hose, Shank, Fem, 3-97, 3-99, 3-101, 3-103
Fitting, Elbow, 3-111
Fitting, Grease, E90 Pm04 .75L, 3-33, 3-47, 3-65
Fitting, Grease, Str Pm04 .47l, 2-91
Fitting, Grease, 2-25
Fitting, Hose, Barbed, .25npt Mal, 3-111
Fitting, Hyd, E90, Jm04/Om04, 2-91, 2-99
Fitting, Hyd, E90, Jm06/Om06, 2-99
Fitting, Hyd, Rst, Jm04/.047, 2-91

Fitting, Hyd, Str, Jm04/Om06, 2-19
Fitting, Hyd, Str, Jm04/Om10, 2-19
Fitting, Hyd, Str, Jm06/Om06, 2-19, 2-99
Fitting, Hyd, Tee, Jf06/Jm06/Jm06, Run, 2-99
Fitting, Nyl, Qdc, E90, Bm06/ Qm10, 2-39
Fitting, Nyl, Qdc, E90, Bm08/ Qm10, 2-39
Fitting, Plstc, [90 Bm03/Pm02], 2-43
Fitting, Plstc, Bkhd, Pf12/Pf12, 2-45
Fitting, Plstc, Bkhd, Pf16/Pf16, 2-31
Fitting, Plstc, Cap, Pf04, 2-35
Fitting, Plstc, Cap, Pf08, 2-55, 2-57, 3-35
Fitting, Plstc, E45, Pf12/Pf12, 3-85
Fitting, Plstc, E90, 06bm/06bm, 3-107
Fitting, Plstc, E90, 16bm/16pm, 2-31
Fitting, Plstc, E90, Bm04/Pm04 Nyl, 2-35
Fitting, Plstc, E90, Bm05/Pm02, Nyl, 4-23
Fitting, Plstc, E90, Bm06/Pm04, Nyl, 2-39
Fitting, Plstc, E90, Bm08/Bm08, 2-55, 2-57, 3-35, 3-37
Fitting, Plstc, E90, Bm08/Pm04 Nyl, 2-33
Fitting, Plstc, E90, Bm08/Pm04, 3-113
Fitting, Plstc, E90, Bm08/Pm06, 2-37, 2-39, 3-53, 3-73, 3-91
Fitting, Plstc, E90, Bm08/Pm08, 3-85
Fitting, Plstc, E90, Bm08/Pm12, Nyl, 2-37
Fitting, Plstc, E90, Bm10/Pm12, 3-85
Fitting, Plstc, E90, Bm12/Bm12, 2-55, 2-57, 3-35, 3-37, 3-51, 3-53, 3-71, 3-73
Fitting, Plstc, E90, Bm12/Pf12, 3-87
Fitting, Plstc, E90, Bm12/Pm08, 3-35, 3-85
Fitting, Plstc, E90, Bm12/Pm12, 3-85, 3-87
Fitting, Plstc, E90, Pf08/Pf08, 3-53, 3-73
Fitting, Plstc, E90, Pm12/Pf12, 2-31
Fitting, Plstc, Pipe, Cap, Pf04, 2-39
Fitting, Plstc, Plug, Pm12, 2-31, 2-45, 3-85
Fitting, Plstc, Plug, PM16, 2-31
Fitting, Plstc, Rst, .50od/.31id, 3-35, 3-37
Fitting, Plstc, Str, 08pmxgarden, 3-87
Fitting, Plstc, Str, Bm04, Cplg, Fem, 2-39
Fitting, Plstc, Str, Bm04/Bm08, 2-35, 3-91
Fitting, Plstc, Str, Bm05/Pm04, 3-91
Fitting, Plstc, Str, Bm06/Bm06, 3-107
Fitting, Plstc, Str, Bm06/Pm02, Nyl, 3-91, 4-23
Fitting, Plstc, Str, Bm06/Pm04, 2-39
Fitting, Plstc, Str, Bm06/Pm12, 3-107
Fitting, Plstc, Str, Bm08/Bm08, 2-55, 2-57, 3-35, 3-37
Fitting, Plstc, Str, Bm08/Pm04 (ec-H2O), 3-37, 3-53, 3-73
Fitting, Plstc, Str, Bm08/Pm04 (FaST), 2-57
Fitting, Plstc, Str, Bm08/Pm04, 3-113
Fitting, Plstc, Str, Bm08/Pm06, 2-37, 2-39, 3-91
Fitting, Plstc, Str, Bm08/Pm08, 2-55, 2-57, 3-35, 3-53, 3-73
Fitting, Plstc, Str, Bm08/Pm12, 2-37, 2-39, 3-91, 3-113
Fitting, Plstc, Str, Bm10/Bm10, 2-55, 2-57

Fitting, Plstc, Str, Bm12/Pm08, Nyl, 3-53, 3-73
 Fitting, Plstc, Str, Bm12/Pm08, 3-85
 Fitting, Plstc, Str, Bm12/Pm12, 2-31, 3-85
 Fitting, Plstc, Str, Bm24/Bm32, 3-109, 3-117
 Fitting, Plstc, Str, Pm04, Cplg, Mal, 2-39
 Fitting, Plstc, Str, Pm08/Pm08, 3-85
 Fitting, Plstc, Str, Pm12/Bm16, 2-31
 Fitting, Plstc, Str, Pm12/Pm12, 2-31, 3-85
 Fitting, Plstc, Str, Pm16/Pm16 Close, 2-31
 Fitting, Plstc, Tee, Bm04/Bm04/Bm04, 2-39
 Fitting, Plstc, Tee, Bm05/Bm05/Pm04, 3-91
 Fitting, Plstc, Tee, Bm06/Bm06/Bm06, 3-91
 Fitting, Plstc, Tee, Bm08/Pm04/Bm08 Nyl, 2-33, 2-35
 Fitting, Plstc, Tee, Bm10/Bm10/Bm10, 2-55
 Fitting, Plstc, Tee, Bm12/Bm12/Bm12, 3-51, 3-71
 Fitting, Plstc, Tee, Bm16/Pf12/Bm16, 2-31
 Fitting, Plstc, Tee, Pf08/Pf08/Pf08, 3-85
 Fitting, Plstc, Tee, Pf12/Pf12/Pf12, 2-31
 Fitting, Plstc, Y, Bm06/Bm06/Bm06, Nyl, 3-91
 Fitting, Plstc, Y, Bm08/Bm08/Bm08 Nyl, 3-53, 3-73
 Fitting, Plstc, Y, Bm08/Bm08/Bm08, Nyl, 2-39
 Fitting, Plug, Om04, Valve, 4-18
 Fitting, Plug, Om06, Valve, 4-18
 Fitting, Qm, Male, 3-85
 Fitting, Quick Disconnect, 3-109
 Flange, Brg, 1.9id 2h, 2-79, 2-81
 Flange, 4-16
 Flap, Front, 2-3, 2-5, 2-89
 Flasher, 12/48vdc 5a #6309/12-48vdc, 3-13, 3-15
 Frame and Field Assembly, 4-11
 Frame Assy, Sqge, Side, Vacuum, Rh, 3-43
 Frame Wldt, Main, Iron Gray [7300/8300], 2-11
 Frame Wldt, Scb Head, 2 Brush, Ele, Gray, 2-51
 Frame Wldt, Scb Head, 3 Brush, Ele, Gray, 3-31
 Frame Wldt, Sqge 48.0l, 3-119, 3-121
 Frame Wldt, Sqge, Iron Gray, 2-69, 2-71, 3-123, 3-125
 Frame Wldt, Sqge, Side, Lh, 2-63, 3-45, 3-59, 3-79
 Frame Wldt, Sqge, Side, Rh, 2-61, 3-41, 3-57, 3-77
 Frame, Swpr, Iron Gray [8300], 2-11
 Frame, 2-11
 Fuse, .20A, 3Ag, Slo-Blo, 2-115
 Fuse, .25d 10a 32vdc, 2-115
 Fuse, 200amp, 2-107, 2-109

G

Gasket, .19, 2.00id 5.38OD [BUNA], 3-97, 3-99, 3-101, 3-103
 Gasket, .19, 4.05id 5.29od [Buna], 2-31, 2-45, 3-89, 3-107
 Gasket, Cap, Drain, 2-3, 2-4, 2-5, 2-45, 3-89
 Gasket, Cap, Dust, 3-97, 3-99, 3-101, 3-103
 Gasket, Cap, 2-45, 3-89
 Gasket, Celr Ure, .50, 05.94w 08.88l, Adh, 2-31
 Gasket, Cover, Controller, 2-105
 Gasket, Cover, 3-49, 3-69
 Gasket, Foam, 3-63, 3-83
 Gasket, Lid, 2-45, 3-89
 Gasket, Mtg, Fan, 2-3, 2-4, 2-5, 2-47
 Gasket, Sqge, 2-69, 2-71, 3-119, 3-121, 3-123, 3-125
 Gasket, Tank, Recovery, 2-3, 2-4, 2-43
 Gasket, Ure, .50, 12.65w 18.89l, Adh, 2-43
 Gasket, 2-115
 Gasspring, 56lb, 6.3strk, 2-59, 3-39, 3-55, 3-75
 Gear, Drive, 2-25
 Gearbox, 90, Drive Wheel, Rear, [Hu], 2-25
 Gearbox, Motor, 4-10, 4-12, 4-20
 Geroler S/A Cl, 4-16
 Geroter, 4-19
 Grommet, Blind, 3-91, 4-23
 Grommet, Level Sensing 1.6 D 9.6L, 2-31
 Grommet, Pye, 0.37id, F/ 1.5h, .13matl, 3-107
 Grommet, Rbr, 0.38id, F/ 0.5h, .12matl, 3-5, 3-7, 3-9, 3-11, 3-13, 3-15
 Grommet, Rbr, 0.50id, F/ 0.8h, .12matl, 2-105
 Grommet, Rbr, 0.89id, F/ 1.2h, .14matl, 2-23
 Grommet, Rbr, 1.00id, F/ 1.4h, .12matl, 2-105
 Grommet, Rbr, 1.0b, 2-105, 2-115
 Grommet, Rbr, 1.50id, F/ 1.8h, .31matl, 2-17, 2-27
 Grommet, Rbr, 2.13id, F/ 2.5h, .12 Matl, 2-35
 Grommet, Ribbon Cable, .63 X 1.81, 2-17
 Grommet, 3-111
 Guard Wldt, Lh, Iron Gray, 3-59, 3-79
 Guard Wldt, Lh, 3-59, 3-79
 Guard Wldt, Light, Revl/Fish, Iron Gray, 3-7
 Guard Wldt, Light, Revl/Fish, 3-5, 3-9, 3-11
 Guard Wldt, Oprtr, Top, Iron Gray, 3-21
 Guard Wldt, Oprtr, Top, 3-19
 Guard Wldt, Rh, [Mp1200], 3-77
 Guard Wldt, Rh, Iron Gray, 3-57, 3-77
 Guard Wldt, Sqge (MP 20), 3-33, 3-65
 Guard Wldt, Sqge, Rear, Gray, 3-33, 3-65
 Guard, Bmpr, Iron Gray, 3-33, 3-65
 Guard, Brush, Side, 2-75, 3-27
 Guard, Bumper, 3-33, 3-65

Guard, Kick In, Scb Head, Iron Gray, 2-53, 3-33, 3-47, 3-65
 Guard, Kick In, Scb Head, 2-53, 3-33, 3-47, 3-65
 Guard, Light, 3-13, 3-15
 Guard, Side Brush, 2-75
 Guide, Point, Side Sqge, 2-61, 2-63, 3-41, 3-43, 3-45, 3-57, 3-59, 3-77, 3-79

H

H-016 Wavy Washer, 4-11
 Handle Wldt, Steering, Tilt, 2-19
 Handle, Wand, 3-111
 Handle, 2-31
 Harness [Fast 7300/8300], 2-144
 Harness [FaST II+ 7300/8300], 2-145
 Harness, Switch, Key, Diode, 2-109
 Harness, Backup Alarm, Shrd, 3-13, 3-15
 Harness, Battery, Connecting, 2-111, 2-113
 Harness, Battery, Rollout [7300/8300], 3-129
 Harness, Fast, 7300/8300, 2-144
 Harness, Hprpr, 2-143
 Harness, Jumper, Arm, 2-143
 Harness, Light, Revl, Shrd, 3-5, 3-7
 Harness, Main, 7300/8300, 2-143
 Harness, Main, Controlboard[Ec-H2o 5cell], 4-23
 Harness, Power Wand, [7300/8300], 3-115
 Harness, Rear [FaST 7300/8300], 2-145
 Harness, Rear, [Fast 7300/8300], 2-144
 Harness, Sensor, Jumper, 2-43, 3-87
 Harness, Solenoid, Shakr, [6200], 2-95
 Harness, Warning Light, Alarm, 3-9, 3-11
 Harness, Wire [7300 Ec-H2o, Module], 3-94
 Harness, Wire [7300, Ec-H2o Interface], 3-94
 Harness, Wire, Jumper, Reverse Switch, 3-13
 Harness, Wire, Jumper, Seat Switch, 2-143
 Head Kit, Pump, Water, Repair, 4-21
 Head, Commutator End, 4-11
 Head, Drive End, 4-11
 Head, Wand, 3-111
 Headband, 4-11
 Headlight, 36vdc, 15cp 0.7a [#0534242], 2-85
 Headlight, 36Vdc, 60 Watt 1.7A, 3-13, 3-15
 Hinge Assy, Iron Gray, 2-15
 Hinge Assy, 2-15
 Hinge Wldt, W/ Pin, Iron Gray, 2-15
 Hinge Wldt, W/ Pin, 2-15
 Hinge, .25pin .07 3.5w 08.0l, 4/0.38sl, 2-13
 Hinge, .25pin .25 3.0w 05.0l 6/0.44h, 2-73
 Hinge, 2-13
 Hook Wldt, Latch, 3-49, 3-69
 Hopper, Sweeper, [8300], 2-85
 Hopper, Swpr, Teal [8300], 2-85
 Horn, 36vdc, Db, 2-11
 Hose Assembly, 3-109
 Hose Assy, Drain, 2-45, 3-89

CROSS REFERENCE

- Hose Assy, Pvc, W/ Cuff, 1.5d, 90.0l, 3-117
Hose Assy, W/1cuff, 1.5d 120l 1.5/, 3-97, 3-99, 3-101, 3-103
Hose Assy, W/2 Cuff, 1.0d 41.0l, 2-5, 3-43
Hose Assy, W/2 Cuff, 1.0D 44L 1.0/1.0, 3-43
Hose Assy, W/2cuff, 1.0d, 23l, 3-63, 3-83
Hose Assy, W/2cuff, 1.0d, 41l, 3-63, 3-83
Hose Assy, W/2cuff, 2.0d 26l, 3-43, 3-63, 3-83
Hose Assy, W/2cuff, 2.0d 75l, 3-43, 3-63, 3-83
Hose, Afrmkt Replmt, Pvc, Brd 0.50id 1 Ft, 2-33, 2-35, 2-37, 3-53, 3-73
Hose, Afrmkt Replmt, Pvc, Brd 0.50id 2 Ft, 2-33, 3-37, 3-53, 3-73
Hose, Afrmkt Replmt, Pvc, Brd 0.50id 20ft, 2-37
Hose, Afrmkt Replmt, Pvc, Brd 0.50id 3 Ft, 3-37
Hose, Afrmkt, Pvc, Brd 0.50id 1ft, 2-57
Hose, Afrmkt, Pvc, Brd 0.50id 2ft, 2-55
Hose, Afrmkt, Pvc, Brd 0.75id 1 Ft, 3-37, 3-53, 3-73
Hose, Afrmkt, Pvc, Brd 0.75id 8 Ft, 3-37, 3-53, 3-73
Hose, Afrmkt, Pvc, Brd, 0.25id, 03ft, 3-91
Hose, Afrmkt, Pvc, Brd, 0.31id, 03Ft, Clr, 3-91
Hose, Afrmkt, Pvc, Brd, 0.38id, 01ft, Clr, 4-23
Hose, Afrmkt, Pvc, Brd, 0.38id, 03ft, Clr, 2-39
Hose, Afrmkt, Pvc, Brd, 0.50id, 01ft, Clr, 2-39
Hose, Afrmkt, Pvc, Brd, 0.50id, 02ft, Clr, 2-39
Hose, Afrmkt, Pvc, Brd, 0.50id, 08ft, Clr, 3-91
Hose, Afrmkt, Pvc, Brd, 0.75id 8 Ft, 2-57
Hose, Afrmkt, Pvc, Clr 0.25id 1 Ft, 2-35
Hose, Afrmkt, Pvc, Clr 0.25id 2 Ft, 2-35
Hose, Afrmkt, Pvc, Clr, 0.25id, 02ft, 2-39
Hose, Hyd, Tc 06, Jf str/E90 , 48.0l, 2-103
Hose, Hyd, Tc04, Jf04Str/Jf04Str, 025.0, 2-103
Hose, Hyd, Med06, Jf06str /Jf06e90 , 26.0, 2-103
Hose, Hyd, Tc 04, Jf04str /Jf04e90 , 20.0, 2-103
Hose, Hyd, Tc 04, Jf04str /Jf04e90 , 30.0, 2-103
Hose, Hyd, Tc 06, Jf06str /Jf06e90 , 24.0, 2-103
Hose, Pvc, Brd, 0.31id 0.53od, 2ft, Clr, 4-23
Hose, Pvc, Brd, 0.38id 0.60od 15.00l, 3-107
Hose, Pvc, Brd, 0.38id 0.60od 66.00l, 3-107
Hose, Pvc, Brd, 0.50id 0.73od 33.00l, 3-35
Hose, Pvc, Brd, 0.50id 0.75od 14.00l, 3-35
Hose, Pvc, Brd, 0.50id 0.80od 18.00l, 3-35
Hose, Pvc, Brd, 0.62id 0.91od 10.30l, 2-55
Hose, Pvc, Brd, 0.75ID 1.00OD 02.00L, 3-51
Hose, Pvc, Brd, 0.75id 1.00od 02.00l, 3-35
Hose, Pvc, Brd, 0.75id 1.00od 19.00l, 3-85
Hose, Pvc, Brd, 0.75id 1.00od 2.00l, 3-71
Hose, Pvc, Brd, 0.75id 1.00od 26.00l, 3-85
Hose, Pvc, Brd, 0.75id 1.00od 44.50l, 3-35, 3-51, 3-71
Hose, Pvc, Brd, 0.75id 1.03od 01.50l, 3-51, 3-71
Hose, Pvc, Brd, 0.75id 1.03od 02.00l, 2-55, 2-57
Hose, Pvc, Brd, 0.75ID 1.03OD 05.00L, 3-51
Hose, Pvc, Brd, 0.75id 1.03od 05.00l, 3-71
Hose, Pvc, Brd, 0.75id 1.03od 11.00l, 3-51, 3-71
Hose, Pvc, Brd, 0.75id 1.03od 44.50l, 2-55, 2-57
Hose, Pvc, Clr, 0.50id 0.69od 50.00l, 3-87
Hose, Pvc, Wir, 0.50id 0.74od 47.00l, 3-113
Hose, Pvc, Wir, 0.50id 0.75od 15.50l, 3-113
Hose, Vacuum, 0.16id X 05.0l, 2-43, 2-47, 3-87
Hose, Vacuum, 35.0l, 2-5, 3-43, 3-63, 3-83
Hose, Vacuum, 58.5l, 2-5, 3-43, 3-63, 3-83
Hose, Vacuum, 89.0l, 2-43
Hose, Vacuum, 91.0l, 2-3, 2-4
Hose, Vacuum, 2-3, 2-4, 2-47, 3-109
Hose, Vyl, Brd .38id .60od 45.0l, 3-107
Hose, Vyl, Brd, .62id 55.0l, 3-87
Hose, Vyl, Brd, .75id 28.0l, 3-87
Hose, Wand, 3-111
Hose, Water, 1.0id 2.25l, 2-31
Hose, Water, 1.0id 4.5l, 2-31
Hose, Water, Vyl, Brd, .75id 14.0L, 3-85
Hose, 3-109
Housing Wldt, Brush, Iron Gray, 3-47, 3-65
Housing Wldt, Brush, Side, Iron Gray, 2-77, 3-29
Housing, Bottom, 4-23
Housing, Cplg, Qf / Pm08 (ec-H2O), 2-57
Housing, Cplg, Qf / Pm08 (FaST), 3-37, 3-53, 3-73
Housing, Cplg, Qf / Pm08, 2-39, 3-91
Housing, Upper, Module, High Flow, 4-23
Housing, Vacfan, Rear, 9.0d, Impeller, 2-97
Housing, 2-93, 4-3, 4-5, 4-16
Hub Wldt, Drive, Brush, Iron Gray, 2-79, 3-49, 3-69
Hub, Drive, Brush, Disk, 0.75B 6T, 2-51
Hub, Drive, Brush, Disk, 3 Hole 5.8Bc, 2-9
Hub, Drive, Brush, 3-31

I

- Impeller, 9.00d X 1.40w X 0.376b, 2-97
Injector Assy, High, .052 .010[FaST II+]
(See Breakdowns), 2-39
Injector Assy, High, .052 .010[FaST II+], 4-24
Insert, Cplg, Qm, Bm08, 2-39, 3-91
Instruction, Repair, Valve, Strg, 4-19
Instruction, Repair, 4-16
Insulator, Panel & Switchboard, 2-109
Insulator, Panel, 2-107

K

- Key Square 0.25 0.25 01.00 Lg, 4-12
Key Square 0.25 X 0.25, 01.00L, 4-10, 4-20
Key, Ignition, 2-17
Key, Sq, 0.12 X 0.12, 01.00l, 2-97
Key, Sq, 0.19 X 0.19, 00.62l, 2-79
Key, Sq, 0.19 X 0.19, 00.75l, 2-79, 3-49, 3-69
Key, Sq, 0.19 X 0.19, 01.00l, 2-79, 2-97, 3-49, 3-69
Key, Sq, 0.19 X 0.19, 01.25L, 4-9
Key, Sq, 0.19 X 0.19, 01.25l, 3-49, 3-69
Key, Sq, 0.25 X 0.25, 00.75l, 2-91
Key, Square, 4-6, 4-7, 4-8
Key, Woodruff, 0.19 0.75, [ASA#0606], 2-97
Kit, Brake, 2-3, 2-4
Kit, Brush, Motor, Ele, 2-75, 3-27
Kit, Cap, Drain, 2-45, 3-89
Kit, Cl, Alarm, Backup, 36Vdc, 3-13
Kit, Ci, Battery, 36vdc, 1000Ah, Wet, 3-141
Kit, Ci, Battery, 36vdc, 600ah, Sealed, 3-135
Kit, Ci, Battery, 36vdc, 750ah, Wet, 3-139
Kit, Ci, Battery, Rollout, 3-129
Kit, Ci, Bumper, Rear, 3-16, 3-17
Kit, Ci, Detgt Metering, 3-107
Kit, Ci, Drain, Soltn, Pos Cntrl, Soltn, 3-101
Kit, Ci, Drain, Soltn, Pos, Cntrl, Recvy, 3-97
Kit, Cl, Extinguisher, Fire, [7300/8300], 3-151
Kit, Ci, Fltr, [8300], 2-95
Kit, Ci, Fork Lift, Battery, 3-131
Kit, Ci, Indicator, Low Water Level, 3-105
Kit, Cl, Light, Revl W/ Ohg, 3-11
Kit, Cl, Light, Revl W/O OHG, 3-5
Kit, Ci, Ohg, [7300/8300], 3-19
Kit, Ci, Seat, Suspension, 3-25
Kit, Ci, Seatbelt, 3-23
Kit, Cl, Squeegee, Rear (Max Pro 1000), 2-69

Kit, Cl, Squeegee, Rear (Max Prot 1000), 3-123
 Kit, Cl, Squeegee, Rear [Max Pro 1200], 3-119
 Kit, Ci, Vacuum Wand, [7300/8300], 3-117
 Kit, Cover, Recvry, W/Gasket, 2-43
 Kit, Drain Hose, Solution Side, 3-89
 Kit, Ftg, Garden Hose, 3-85
 Kit, Maint, 800hr
 [8300-Mp1200-Disk-Vac], 2-4
 Kit, Maint, 800hr, [8300-Mp1000-Cyl], 2-4
 Kit, Maint, 800hr, [8300-Mp1000-Disk], 2-3
 Kit, Maint, 800hr, [8300-Mp1200-Cyl], 2-4
 Kit, Maint, 800hr, [8300-Mp1200-Disk], 2-3
 Kit, Modif, Ftg Location, [Discvac], 2-4
 Kit, Panel, Lh, 2-95
 Kit, Panel, Rh, 2-95
 Kit, Replmt, Press Switch/34" Tube, 2-31, 3-105
 Kit, Seal, Hyd, Valve, Strg, 4-19
 Kit, Seal, Hyd, Valve, 4-17
 Kit, Seal, Motor, 4-16
 Kit, Seal, 4-15
 Kit, Spring, Valve, Strg, 4-19
 Kit, Switch, Micro, 3-13
 Kit, Valve, Check, 2-31
 Kit, Wand, Power [5400], 3-111
 Knob, 0.50-20, 1.38d, Plstc, 2-41
 Knob, 4-Prong W/.31-18, Insert, 3-119, 3-121, 3-123, 3-125
 Knob, 4-Prong W/.31-18, Insert, 2-69, 2-71
 Knob, Adj, 2-65
 Knob, Plastic, 2-77, 2-81, 3-29
 Knob, Tapered, 2-91
 Knob, 2-19, 2-65, 2-81

L

Label [User, Attention, Ec-H2o], 3-93
 Label Set, Info & Hzd, 2-146
 Label Set, Info/Hzrd, [Max Pro], 3-47, 3-65
 Label Set, Info/Hzrd, [Maxpro], 2-51, 3-31
 Label Set, Operational, 7300/8300, 2-146
 Label Set, Opertnl [7300 ec-H2O], 3-93
 Label, Attention Fast Users, 2-31
 Label, Blue-Green [FaST], 2-146
 Label, Brush, Side, Adj, 2-77, 3-29
 Label, Direction [Ec-H2o], 4-23
 Label, Fast, 2-116
 Label, Front [Ec-H2o, T15], 3-93
 Label, Module [Nsf, Ec-H2o], 4-23
 Label, Sqge, 2-146
 Label, Switch [7300/8300 FaST], 2-117
 Label, Switch, Fast, 2-116
 Label, Tank [ec-H2O], 2-146, 3-93
 Label, Tank [ES], 2-146
 Label, Tank, Bl-Gr [8300], 2-146
 Lamp, 40vdc, 0.9a, [50cp#1062], 3-5, 3-7, 3-9, 3-11
 Lamp, 36vdc, 32cp .72a, [#sp7], 2-85

Lamp, 2-11
 Lampholder, 2-11
 Latch, Double Scrub, Side Sqge, 2-61, 2-63, 3-41, 3-45
 Latch, Handle, 3-129
 Latch, Trigger, 2-13, 2-73
 Latch, 2-15, 2-95, 3-49, 3-57, 3-59, 3-69, 3-77, 3-79
 Leg, Iron Gray, 2-89
 Leg, 2-89
 Lens, Amber, Light, Revl, 3-5, 3-7, 3-9, 3-11
 Lens, Rev. Light, Blue, 3-5, 3-7, 3-9, 3-11
 Lens, Rev. Light, Red, 3-5, 3-7, 3-9, 3-11
 Lever Assy, Flap, 2-91
 Lever Wldt, Flap, 2-91
 Lever Wldt, Iron Gray, 2-27
 Lever Wldt, 2-27
 Lever, Valve, Water, Iron Gray, 2-41
 Light Kit, Revl, W/ Ohg, Ci [7300/8300], 3-9
 Light Kit, Revl, W/O Ohg, Iron Gray, Ci, 3-7
 Light, Led, .312d, 2 Volt [Tri-Color], 3-93
 Light, Revl, 36vdc, Amb, Rework 44684, 3-5, 3-7, 3-9, 3-11
 Light, Spot, 36vdc, 60w Rework 72173, 3-13, 3-15
 Link Assy, Rod-End, .63-18, 2-53, 3-33, 3-47, 3-66
 Link Wldt, Head, Drag (Replaced by 9005751), 3-33, 3-47, 3-65
 Link, .38 1.0w 07.5l 2/1.5h, 2-53
 Link, Chain, Roller, #40, 2-19, 2-93
 Link, Lift, Squeegee (Replaced by 9005752), 2-53
 Lock, Secondary, 2cav, Mp280 Sealed, 4-21

M

Manifold, Plastic, 3-35
 Manifold, Soltn, Cntrl, 2-55, 2-57, 3-35, 3-37
 Manual Pkg, (8300 Ele Na), 3-152
 Manual, Fiche, (8300 Ele), 3-152
 Manual, Oprtr, (8300 Ele Es Na), 3-152
 Manual, Oprtr, (8300 Ele Fr Na), 3-152
 Manual, Service, (8300 Ele Na), 3-152
 Media, Cd-Rom, Training [ec-H2O TENNANT], 3-152
 Module Kit, Replmt [ec-H2O] (See Breakdowns), 3-91
 Module Kit, Replmt [Ec-H2o], 4-23
 Module, 2-107
 Molding, Trim, .19-.31 12.00, 2-19
 Motor Assy,EE Vac Fan, 4-6, 4-7
 Motor Assy, 4-8
 Motor Kit, Vacuum, Replmt, 2-47
 Motor, Ele, 36vdc 0.9hp 1800rpm (See Breakdown), 2-79
 Motor, Ele, 36 Vdc 1500 Rpm 1.5 Hp, 4-9

Motor, Ele, 36Vdc (See Breakdown) (Repl. by 374201), 2-97
 Motor, Ele, 36Vdc 0.08Hp 0068Rpm 04.5A, 3-27
 Motor, Ele, 36Vdc 0.75 Hp 2500Rpm (See Breakdown), 2-97
 Motor, Ele, 36Vdc 0068Rpm 0.08Hp Gear, 2-75
 Motor, Ele, 36vdc 1.00hp 0300rpm, Gear (Standard) (See Breakdown), 2-51
 Motor, Ele, 36vdc 1.50hp 0300rpm, Gear (Heavy Duty) (See Breakdown), 2-51
 Motor, Ele, 36Vdc 1.50Hp 1500Rpm 43.0A, 3-49, 3-69
 Motor, Ele, 36vdc 1500rpm 1.5hp (See Breakdown) (Repl By 377398AM), 3-49, 3-69
 Motor, Ele, Traction, 4-11
 Motor, Ele, Vdc 3.0hp Traction,[201] (See Breakdown), 2-25
 Motor, Elect, 4-15
 Motor, Gear, 1.0Hp 36V, 4-12
 Motor, Gear, 36vdc, 120w, 75rpm, 2-75
 Motor, Gear, Ele, 1.0hp, 36vdc, 300rpm (See Breakdown), 3-31
 Motor, Gear, Ele, 1.5hp, 36vdc, 300rpm (Replaced by 387585AM) (See Breakdowns), 2-51
 Motor, Gear, Ele, 1.5Hp, 36Vdc, 300Rpm, 4-10, 4-20
 Motor, Hyd (See Breakdowns), 2-19
 Motor, Hyd, 4-16
 Motor, 4-13

N

Nozzle, Spray, 3-111
 Nozzle, Wand, Plstc, 14.0lg, 3-117
 Nozzle, Water, 3-87
 Nut, Hex, Cplg, M08X1.25, 2-109
 Nut, Hex, Flexlock, .31-24, 2-97
 Nut, Hex, Flexlock, .38-24, 2-97
 Nut, Hex, Flng, .38-16, 2-61, 3-41
 Nut, Hex, Flng, M06 X 1.0, 2-91, 2-107, 2-109, 3-13, 3-15
 Nut, Hex, Flng, M08 X 1.25, 2-11, 2-75, 2-85, 2-99, 3-5, 3-7, 3-9, 3-11, 3-27
 Nut, Hex, Flng, M10 X 1.5, 2-65, 3-97, 3-99, 3-101, 3-103
 Nut, Hex, Flng, M5 X 0.8, 2-116
 Nut, Hex, Flng, M5 X 0.80, 3-91
 Nut, Hex, Jam, .62-18, Ss, Lh, 3-47, 3-65
 Nut, Hex, Jam, .62-18, Ss, 3-47, 3-65
 Nut, Hex, Jam, M10 X 1.5, Ss, 2-65, 2-93, 3-119, 3-121
 Nut, Hex, Jam, M20 X 1.5, 2-19
 Nut, Hex, Lock, .25-20, NI, 2-23
 Nut, Hex, Lock, .25-28, NI, 2-23
 Nut, Hex, Lock, .31-18, NI, Thin, 3-129
 Nut, Hex, Lock, .31-18, NI, 2-21, 3-25
 Nut, Hex, Lock, .38-16, NI, Thin, 2-79
 Nut, Hex, Lock, .44-20, NI, Thin, 2-41
 Nut, Hex, Lock, .50-13, NI, Ss, 2-65

CROSS REFERENCE

- Nut, Hex, Lock, .62-18, NI, Thin, 2-53, 3-33, 3-47, 3-65, 3-66
Nut, Hex, Lock, #06-32, NI, 2-115
Nut, Hex, Lock, M 4 X 0.7, NI Ss, 3-129
Nut, Hex, Lock, M 4 X 0.7, NI, 2-35
Nut, Hex, Lock, M 5 X 0.8, NI, 2-109
Nut, Hex, Lock, M 5 X 0.8, NI, Ss, 3-129
Nut, Hex, Lock, M 6 X 1.0, NI, 2-75, 2-109, 2-116
Nut, Hex, Lock, M 8 X 1.25 NI, 2-113
Nut, Hex, Lock, M 8 X 1.25, NI, Ss, 3-33, 3-66
Nut, Hex, Lock, M04 X 0.7, NI, Ss, 3-49, 3-69, 3-107
Nut, Hex, Lock, M04 X 0.7, NI, 2-15, 2-107, 3-87, 3-115
Nut, Hex, Lock, M05 X 0.8, NI, Ss, 2-45, 2-49, 3-47, 3-65, 3-89
Nut, Hex, Lock, M05 X 0.8, NI, 2-17, 2-81, 2-85, 2-95, 2-107, 3-49, 3-69
Nut, Hex, Lock, M06 X 1.0, NI, Ss, 2-41, 2-53, 2-55, 2-57, 2-59, 2-61, 2-63, 2-67, 2-79, 2-81, 3-35, 3-37, 3-39, 3-41, 3-45, 3-51, 3-53, 3-55, 3-63, 3-71, 3-73, 3-75, 3-83, 3-85, 3-113, 3-129
Nut, Hex, Lock, M06 X 1.0, NI, 2-13, 2-17, 2-19, 2-23, 2-85, 2-97, 2-107, 3-13, 3-15
Nut, Hex, Lock, M08 X 1.25, NI, Ss, 2-27, 2-31, 2-49, 2-51, 2-61, 2-63, 2-67, 2-69, 2-71, 2-89, 3-31, 3-39, 3-41, 3-43, 3-45, 3-47, 3-65, 3-75, 3-87, 3-107, 3-113, 3-119, 3-121, 3-123, 3-125, 3-129, 3-131, 3-135, 3-137
Nut, Hex, Lock, M08 X 1.25, NI, 2-11, 2-13, 2-23, 2-25, 2-27, 2-41, 2-73, 2-75, 2-79, 2-81, 2-83, 2-85, 2-89, 2-91, 2-99, 2-105, 2-111, 3-27, 3-51, 3-53, 3-71, 3-73
Nut, Hex, Lock, M10 X 1.5, NI, SS, 3-49, 3-69
Nut, Hex, Lock, M10 X 1.5, NI, Ss, 2-51, 2-65, 2-67, 2-89, 3-16, 3-17, 3-31, 3-33, 3-65
Nut, Hex, Lock, M10 X 1.5, NI, 2-23, 3-19, 3-21, 3-23
Nut, Hex, Lock, M12 X 1.75, NI, 2-75
Nut, Hex, Lock, M12 X 1.75, NI, Ss, 2-69, 2-71, 2-81, 3-57, 3-59, 3-77, 3-79, 3-119, 3-121, 3-123, 3-125
Nut, Hex, Lock, M12 X 1.75, NI, 2-19, 2-29, 2-93, 3-27
Nut, Hex, Lock, M4 X 0.70, NI, Ss, 4-23
Nut, Hex, Lock, M5 X 0.80, NI, 2-39
Nut, Hex, Lock, M6X1.0, Ss, NI, 3-61, 3-81
Nut, Hex, Lock, M8 X 1.25, NI, Ss, 3-133, 3-139, 3-141, 3-143
Nut, Hex, Lock, M8 X 1.25, NI, 2-35, 3-91
Nut, Hex, Sltd, .75-16, 2-79
Nut, Hex, Sltd, 1.00-20, 2-29
Nut, Hex, Std, .25-20, Ss, 2-13
Nut, Hex, Std, .25-20, 2-107, 2-109
Nut, Hex, Std, .25-28, 2-23, 2-83
Nut, Hex, Std, .31-24, 2-107, 2-109, 2-111, 2-113
Nut, Hex, Std, .38-16, Ss, 3-57, 3-77
Nut, Hex, Std, .38-16, 3-29
Nut, Hex, Std, .50-20, 2-25
Nut, Hex, Std, #10-32, 2, 2-11, 2-107, 2-109, 2-111, 2-113
Nut, Hex, Std, M06 X 1.0, 2-83, 2-85, 2-111
Nut, Hex, Std, M08 X 1.25, Ss, 2-61, 2-63, 2-75, 2-89, 3-41, 3-45, 3-57, 3-59, 3-77, 3-79
Nut, Hex, Std, M08 X 1.25, 2-111, 2-113
Nut, Hex, Std, M10 X 1.25, 2-77
Nut, Hex, Std, M10 X 1.5, Ss, 2-81
Nut, Hex, Std, M10 X 1.5, 2-23, 2-81
Nut, Hex, Std, M12 X 2.0, 3-33
Nut, Long, 4-18
Nut, Retainer, .31-18, 2-59, 3-39, 3-55, 3-75
Nut, Short, 4-18
Nut, Thumb, M6 X 30mm Dia, 3-111
Nut, Wheel, M14-1.5, 2-25
Nut, 4-3, 4-5, 4-17
- O**
- Ohg Kit, Iron Gray, Ci [7300/8300], 3-21
- P**
- Pad, Buff, 16.0d, Red, 2-9
Pad, Buff, 20.0d, Red, 2-7
Pad, Polish, 16.0d, White, 2-9
Pad, Polish, 20.0d, White, 2-7
Pad, Scrub, 16.0d, Blue, 2-9
Pad, Scrub, 20.0d, Blue, 2-7
Pad, Strip, 16.0d, Brown, 2-9
Pad, Strip, 20.0d, Brown, 2-7
Pad, Stripping, 16.0d[Hi Prod,Black, 2-9
Pad, Stripping, 20.0D[Hi Prod,Black, 2-7
Pad, Surf Prep, 16.0d [Mar, 1pick=1pad], 2-9
Pad, Surf Prep, 20.0D [Mar, 1Pick=1Pad], 2-7
Pad, 2-27
Panel Assy Kit, Touch [8300], 2-17
Panel Assy, Touch [8300], 2-17
Panel Kit, Lh, Teal, 2-95
Panel Kit, Rh, Teal, 2-95
Panel Wldt, Front W/ Label, 2-15
Panel Wldt, Perma-Filter, Iron Gray, 2-95
Panel Wldt, Perma-Filter, 2-95
Panel, Access, Iron Gray, 2-95
Panel, Access, 2-95
Panel, Instmt, 2-17
Panel, Motor, Cover W/ Label, 2-25
Pedal Assy, Foot (Replaced by 1042524), 2-23
Pedal Assy, Propel, 36vdc, 2-23
Pedal Wldt, Accelerator, 2-23
Pedal, Brake, Parking, Iron Gray, 2-27
Pedal, Brake, 2-27
Pin Wldt, Front, 2-69, 2-71, 3-119, 3-121, 3-123, 3-125
Pin Wldt, Hinge, Iron Gray, 2-13
Pin Wldt, Hinge, 2-13
Pin, Arm, Safety, 2-91
Pin, Clevis, .625 Dia X 5.25l, 3-49, 3-69
Pin, Clevis, 0.19 D X 0.63l, 2-67
Pin, Clevis, 0.25 D X 0.75l, 2-83
Pin, Clevis, 0.25 D X 1.00l, 2-83
Pin, Clevis, 0.25 D X 2.44l, 2-67
Pin, Clevis, 0.25d X 2.00l, 2-69, 2-71, 3-119, 3-121, 3-123, 3-125
Pin, Clevis, 0.31 D X 0.75l, 2-29
Pin, Clevis, 0.31 D X 0.88l, 3-43
Pin, Clevis, 0.31 D X 1.00l, 2-27
Pin, Clevis, 0.31d 0.88l, 2-61, 2-63, 3-41, 3-45, 3-57, 3-59, 3-77, 3-79
Pin, Clevis, 0.37 D X 0.62l, 2-75, 3-27
Pin, Clevis, 0.37 D X 0.75l, 3-57, 3-59, 3-77, 3-79
Pin, Clevis, 0.37 D X 1.00l, 2-29, 2-61, 2-63, 3-41, 3-45
Pin, Clevis, 0.37 D X 1.31l, 2-53, 3-33, 3-47, 3-65
Pin, Clevis, 0.37 D X 1.50l, 2-61
Pin, Clevis, 0.37 D X 1.75l, 2-93
Pin, Clevis, 0.37 D X 2.00l, 2-59, 3-39, 3-55, 3-75
Pin, Clevis, 0.37 D X 3.25l, 2-75, 3-27
Pin, Clevis, 0.37 D X 4.00l, 2-77
Pin, Clevis, 0.37D X 4.00L, 3-29
Pin, Clevis, 0.38 D X 2.50l, 2-53, 3-33, 3-47, 3-65
Pin, Clevis, 0.50 D X 1.75l, 2-49
Pin, Clevis, 0.50 D X 2.00l, 2-67
Pin, Clevis, 0.50 D X 2.50l, 2-49, 2-53, 2-67, 3-33, 3-39, 3-47, 3-65
Pin, Clevis, 0.50 D X 2.62l, 2-83
Pin, Clevis, 0.50 D X 3.50l, 2-23
Pin, Clevis, 0.50 D X 4.00l, 2-77, 3-29
Pin, Clevis, 0.50 D X 5.50l, 2-49
Pin, Clevis, 0.50D X 2.00L, 2-59, 3-55
Pin, Clevis, 0.50D X 4.00L, 3-29
Pin, Clevis, 0.75 D X 6.50l, 2-85
Pin, Clevis, 2-91
Pin, Cotter, .062 X 0.75, 2-15, 2-67, 2-69, 2-71, 3-119, 3-121, 3-123, 3-125
Pin, Cotter, .094 X 0.75, 2-27, 2-29, 2-53, 2-59, 2-67, 2-75, 3-27, 3-29, 3-33, 3-39, 3-47, 3-55, 3-65, 3-75
Pin, Cotter, .094 X 1.00, 2-93
Pin, Cotter, .125 X 0.75, 2-53, 3-33, 3-47, 3-65
Pin, Cotter, .125 X 1.00, 2-23, 2-49, 2-53, 2-59, 2-77, 3-33, 3-39, 3-47, 3-55, 3-65
Pin, Cotter, .125 X 1.25, 2-83
Pin, Cotter, .156 X 1.25, 2-85
Pin, Hair Cotter, 0.31 D .058 Wir, 3-57, 3-59, 3-77, 3-79

Pin, Hair Cotter, 0.38 D .072 Wir, 2-61, 2-63, 3-41, 3-43, 3-45
 Pin, Hair Cotter, 0.62 D .120 Wir, 3-49, 3-69
 Pin, Hair Cotter, 0.69 D .092 Wir, 2-75, 3-27
 Pin, Hinge, Cover, 2-31
 Pin, Prong, 2-115
 Pin, Roll, .180 D X 1.25L, .187/.192, 2-89
 Pin, Roll, .250 D X 0.75L, .250/.256, 2-61, 2-63, 3-41, 3-45, 3-57, 3-59, 3-77, 3-79
 Pin, Roll, .250 D X 1.50L, .250/.256, 2-29
 Pin, Roll, .250 D X 2.00L, .250/.256, 2-75, 3-27
 Pin, Roll, .310 D X 0.75L, .312/.318, 2-25
 Pin, Valve, Strg, 4-19
 Pin, 2-19, 2-69, 2-71, 2-91, 3-119, 3-121, 3-123, 3-125, 4-19
 Piston, 4-13
 Pivot Wldt, Guard, 2-69, 3-119, 3-123
 Pivot Wldt, Sqge Caster, 2-65
 Pivot, 2-79, 2-93
 Plate Assy, Orifice, 0.010ld, Purple, 4-24
 Plate Wldt, Floor, 2-11
 Plate Wldt, Iron Gray, 2-97
 Plate Wldt, Pivot, Guard, Iron Gray, 2-71, 3-121, 3-125
 Plate Wldt, Stop, Iron Gray, 3-47, 3-65
 Plate Wldt, 2-97
 Plate, Adapter, Brush, 2-75, 3-27
 Plate, Controlbox, Iron Gray, 2-105
 Plate, Controlbox, 2-105
 Plate, Cover, Iron Gray, 2-11
 Plate, Cover, 2-11
 Plate, Door, Brush, Iron Gray, 2-79, 2-81
 Plate, Floor, Iron Gray, 2-11
 Plate, Floor, Upper, Iron Gray, 2-11
 Plate, Floor, Upper, 2-11
 Plate, Floor, 2-11
 Plate, Headlight, Iron Gray, 2-85
 Plate, Headlight, 2-85
 Plate, Hinge, Iron Gray, 2-15
 Plate, Hinge, 2-15
 Plate, Iron Gray, 2-15, 2-75, 2-85, 3-27
 Plate, Latch, Lower, Iron Gray, 2-95
 Plate, Latch, Lower, 2-95
 Plate, Latch, Upper, Iron Gray, 2-95
 Plate, Latch, Upper, 2-95
 Plate, Mtg, Contactor, Iron Gray, 2-109
 Plate, Mtg, Contactor, 2-107, 2-109
 Plate, Mtg, Door, Iron Gray, 2-13
 Plate, Mtg, Door, 2-13
 Plate, Mtg, Tank, Detgt, Iron Gray, 3-107
 Plate, Nut, Iron Gray, 2-81
 Plate, Orifice, 0.067ld, 2-33
 Plate, Orifice, 0.086ld, 2-33
 Plate, Pin, Clevis, Upper, 2-91
 Plate, Seat, Iron Gray, 2-21
 Plate, Slide, 2-67, 3-119, 3-121
 Plate, Spacer, Lift Arm, 2-91
 Plate, Stop, 2-27
 Plate, Wand, Clean-Out, Iron Gray, 3-87

Plate, Wear, 4-19
 Plate, 2-15
 Plug, Cap, 2-31, 2-43
 Plug, Drive, Brush, Mach, 2-79
 Plug, Drive, Brush, Spl, Iron Gray, 2-79, 2-81, 3-49, 3-69
 Plug, Drive, Brush, Splined, 3-69
 Plug, Hole, Rnd, 0.44h .03-.12, Blk Nyl, 3-85
 Plug, Hole, Rt, Rocker Switch, .87 X 1.7, 3-85
 Plug, Idler, Brush, 2-81
 Plug, O-Ring, 4-17
 Plug, Orifice, 0.052, Ss [FaST II+], 4-24
 Plug, Qm, .25npt, 3-111
 Plug, Resistor, 2-144
 Plug, 2-25, 3-111
 Powerunit, Hyd, 36Vdc (See Breakdowns), 2-99
 Powerunit, Hyd, 36Vdc, 4-15
 Pump Assy, Power Wand (See Breakdown), 3-113
 Pump assy, 4-15
 Pump kit, Power Wand, 4-13
 Pump screw, 4-13
 Pump, Air, Ele, 36vdc, 2-35
 Pump, Detgt, 36vdc (See Breakdown), 3-107
 Pump, Detgt, 560s, 2-35
 Pump, Metering Solution, 4-14
 Pump, Soltn, 36vdc, 65psi [Fast li+], 2-39
 Pump, Soltn, Ele, 36vdc (See Breakdowns), 3-91
 Pump, Soltn, Ele, 36vdc, 2-33, 4-21
 Pump, Solution, Impeller, 36vdc, 3-85

R

Race Thrust, 4-16
 Rail Wldt, Lift, Cyl Head, Iron Gray, 3-55, 3-75
 Rail Wldt, Lift, Disk Head, Iron Gray, 2-59, 3-39
 Rail, 2-21
 Relay, 36vdc, 5a, Spdt, [Greenwich], 3-13, 3-15
 Relay, 36vdc, 05a, Spdt N/O [Greenwich], 2-116
 Relay, 36Vdc, 005A, Spdt No [Greenwich], 2-117
 Relay, 36vdc, 100a, Sp N/O [White], 2-109
 Replacement Kit, Bellows, 4-14
 Reservoir, 4-15
 Resistor, 040.00 Ohm, 40watt, 2-109
 Resistor, 040.00ohm, 40watt, 2-107
 Resistor, 011.00 Ohm, 0040Watt [5%], 3-91
 Retainer, Blade, Front, 3-43
 Retainer, Brg, Iron Gray, 2-81, 3-49, 3-69
 Retainer, Rh, Iron Gray, 2-81
 Retainer, Ring, 2-91

Retainer, Skirt, .12, 1.1w X 03.9l, Gray, 2-79
 Retainer, Skirt, .12, 1.7w X 07.3l, Gray, 2-79, 2-81
 Retainer, Spring, 2-23
 Retainer, Sqge, 2-61, 2-63, 3-41, 3-43, 3-45, 3-77
 Return Spring-Brakes, 2-29
 Ring, Brush, 4-9
 Ring, Mtg, Sqge, .50l, 2-69, 2-71, 3-119, 3-121, 3-123, 3-125
 Ring, Retainer, Valve, Strg, 4-19
 Ring, Retaining, Ext, 0.50d, Hd, 2-93
 Ring, Retaining, Ext, 0.59d, Basic, 2-65
 Ring, Retaining, Ext, 0.75d, Hd, 2-89, 3-49, 3-69
 Ring, Retaining, Ext, 0.75d, Ss, 2-45, 3-89
 Ring, Retaining, Ext, 0.75d, 2-91
 Ring, Retaining, Ext, 0.88d, 2-91
 Ring, Retaining, Ext, 1.00d, 2-91
 Ring, Retaining, Ext, 1.75d, Hd, 2-91
 Ring, Retaining, Ext, 2-69, 2-71, 3-119, 3-121, 3-123, 3-125
 Ring, Retaining, Int, 1.85d, Basic, 3-49, 3-69
 Ring, Retaining, Int, 2.00d, 2-91
 Ring, Retaining, 4-11
 Rivet, Plstc, .25 D X 0.75, 2-11
 Rivet, Plstc, .250 X 0.898, 2-51, 3-31, 3-115, 3-117
 Rivet, Pop, 3-111
 Rod Wldt, Cover, 2-13
 Rod Wldt, 2-41
 Rod, Link, 3-47, 3-65
 Rod, Rear Door, 2-15
 Rod, Thrd, 2 End M08x1.25 01.2, 2-81
 Rod, Thrd, 2 End M10x1.5 07.4, 2-65
 Rod, Thrd, 2 End, .25-28 04.4l, 2-23
 Rod, Thrd, Full, .25-20 01.5l, 2-107, 2-109
 Rod, Threaded, 2-29
 Rod-End, .62-18rh Fem 0.50-18stud, 3-47, 3-65
 Rod-End, .625-18, Lh, 3-47, 3-65
 Rod-End, M10 X 1.5rh Fem M10 X 1.5stud, 2-65
 Rod, 2-15
 Roller, 2-53, 2-59, 3-33, 3-39, 3-47, 3-55, 3-65, 3-75

S

Screen Wldt, 3-63, 3-83
 Screen, 50 Mesh, Ss, 2-33
 Screen, Filter, 80 Mesh, 2-37
 Screen, Pump, 3-107
 Screw, 6-32, 4-8
 Screw, Adjuster, 4-15
 Screw, Btn, M08 X 1.25 X 25, Ss, 2-73, 3-29
 Screw, Cap, 4-19
 Screw, Flat, #06-32 X 0.38, Al, 2-115
 Screw, Flat, M05 X 0.8 X 16, 10.9, 2-95

CROSS REFERENCE

- Screw, Flat, M06 X 1.0 X 20, 10.9, 2-17
Screw, Flat, M06 X 1.0 X 25, 10.9, 2-85
Screw, Flat, M08 X 1.25 X 20, 10.9, 2-97
Screw, Flt, Phi, 10-32 X 0.31, 4-23
Screw, Hex, .25-20 X 0.38, 5, 2-107
Screw, Hex, .25-20 X 0.75, Sems, 3-57, 3-59, 3-77, 3-79
Screw, Hex, .31-18 X 1.00, Ss, NI, 2-51, 3-31
Screw, Hex, .38-16 X 1.00, NI, 2-51, 3-31
Screw, Hex, .50-13 X 0.75, 5, 3-13, 3-15
Screw, Hex, .50-13 X 3.00, Ss, 2-65
Screw, Hex, #06-20 X 0.50, Fmg, [Ab], 2-97
Screw, Hex, #10-24 X 0.50, Ss, 2-41
Screw, Hex, M 5 X 0.8 X 12, 8.8, 2-109
Screw, Hex, M 6 X 1.0 X 16, 8.8, 2-109
Screw, Hex, M 6 X 1.0 X 16, Fmg, 3-43, 3-63, 3-83
Screw, Hex, M 6 X 1.0 X 20, NI, 2-109
Screw, Hex, M 6 X 1.0 X 20, Ss, 2-75
Screw, Hex, M 6 X 1.0 X 40, Ss, 2-113
Screw, Hex, M 8 X 1.25 X 20, 8.8, 2-113
Screw, Hex, M 8 X 1.25 X 20, Ss, 2-75
Screw, Hex, M 8 X 1.25 X 50, Ss, 3-33, 3-65
Screw, Hex, M04 X 0.7 X 12, 8.8, 3-87
Screw, Hex, M04 X 0.7 X 20, 8.8, 3-115
Screw, Hex, M04 X 0.7 X 20, Fmg, 2-107
Screw, Hex, M05 X 0.8 X 12, 8.8, 2-79, 2-81, 2-107
Screw, Hex, M05 X 0.8 X 12, Ss, 3-49, 3-69
Screw, Hex, M05 X 0.8 X 16, 8.8, 2-85, 2-105
Screw, Hex, M05 X 0.8 X 16, Ss, 2-49
Screw, Hex, M05 X 0.8 X 25, Ss, 2-45, 3-89
Screw, Hex, M06 X 1.0 X 12, 8.8, 2-95
Screw, Hex, M06 X 1.0 X 12, Ss, 3-57, 3-59, 3-63, 3-77, 3-79, 3-83
Screw, Hex, M06 X 1.0 X 16, 8.8, 2-19, 2-85, 2-91, 2-107, 2-115
Screw, Hex, M06 X 1.0 X 16, Fmg, 2-11
Screw, Hex, M06 X 1.0 X 16, Ss, NI, 2-79, 2-91
Screw, Hex, M06 X 1.0 X 16, Ss, 2-55, 2-57, 2-75, 2-79, 2-81, 3-27, 3-35, 3-37, 3-49, 3-51, 3-53, 3-69, 3-71, 3-73, 3-85
Screw, Hex, M06 X 1.0 X 20, 8.8, 2-13, 2-27, 2-79, 2-83, 2-91, 2-97, 3-13, 3-15
Screw, Hex, M06 X 1.0 X 20, Fmg, 2-49
Screw, Hex, M06 X 1.0 X 20, Ss, 2-53, 2-61, 2-63, 2-67, 3-39, 3-41, 3-45, 3-63, 3-83
Screw, Hex, M06 X 1.0 X 25, 8.8, 2-23, 2-85
Screw, Hex, M06 X 1.0 X 25, Ss, 2-17, 2-41, 3-85, 3-113
Screw, Hex, M06 X 1.0 X 35, 8.8, 2-19
Screw, Hex, M06 X 1.0 X 35, Ss, 3-129
Screw, Hex, M06 X 1.0 X 40, Ss, 2-59, 2-111, 3-39, 3-55, 3-75
Screw, Hex, M06 X 1.0 X 50, 8.8, 3-13, 3-15
Screw, Hex, M06 X 1.0 X 20, 8.8, 2-11
Screw, Hex, M06 X 1.0 X 20, Fmg, 2-11
Screw, Hex, M06 X 1.0 X 20, Ss, 3-55, 3-75
Screw, Hex, M06 x 1.0 x 35, 8.8, 2-107
Screw, Hex, M06 X 1.25 X 25, Ss, NI, 2-59
Screw, Hex, M06-1.0 X 12, Fmg, 2-23
Screw, Hex, M08 X 1.00 X 20, Ss, 2-59
Screw, Hex, M08 X 1.25 X 12, 8.8, 2-79, 2-81
Screw, Hex, M08 X 1.25 X 16, 8.8, 2-25, 2-41, 2-85
Screw, Hex, M08 X 1.25 X 16, Ss, NI, 3-87
Screw, Hex, M08 X 1.25 X 16, Ss, 2-21, 2-43, 2-47, 3-51, 3-53, 3-71, 3-73, 3-85
Screw, Hex, M08 X 1.25 X 20, 8.8, 2-11, 2-13, 2-25, 2-77, 2-79, 2-81, 2-83, 2-93, 2-95, 2-97, 2-99, 2-105, 2-111
Screw, Hex, M08 X 1.25 X 20, Ss, NI, 2-31, 2-43, 2-55, 2-57, 2-79, 3-35, 3-37, 3-115
Screw, Hex, M08 X 1.25 X 20, Ss, 2-11, 2-15, 2-43, 2-89, 3-33, 3-129, 3-131, 3-135, 3-137
Screw, Hex, M08 X 1.25 X 25, 8.8, 2-11, 2-75, 2-85, 2-97, 3-5, 3-7, 3-9, 3-11, 3-27
Screw, Hex, M08 X 1.25 X 25, Ss, NI, 2-61, 2-63, 3-41, 3-45
Screw, Hex, M08 X 1.25 X 25, Ss, 2-15, 2-51, 2-65, 2-67, 3-31, 3-47, 3-65, 3-85, 3-113, 3-119, 3-121
Screw, Hex, M08 X 1.25 X 30, 8.8, 2-73, 2-81, 2-89, 3-29
Screw, Hex, M08 X 1.25 X 30, Ss, 2-31, 3-87
Screw, Hex, M08 X 1.25 X 35, 8.8, 2-27, 2-85
Screw, Hex, M08 X 1.25 X 35, Ss, 2-61, 2-63, 3-41, 3-45, 3-107, 3-129
Screw, Hex, M08 X 1.25 X 40, 8.8, 2-83, 2-107, 2-109
Screw, Hex, M08 X 1.25 X 40, Ss, 2-27, 2-89
Screw, Hex, M08 X 1.25 X 45, Ss, 2-59, 3-39, 3-55, 3-75
Screw, Hex, M08 X 1.25 X 50, 8.8, 2-83, 2-91
Screw, Hex, M08 X 1.25 X 60, Ss, 3-39, 3-75
Screw, Hex, M08 X 1.25 X 70, Ss, 2-69, 2-71, 3-119, 3-121, 3-123, 3-125
Screw, Hex, M08 X 1.25 X 80, 8.8, 2-99
Screw, Hex, M08 X 1.25 X 100, Ss, 2-69, 2-71, 3-123, 3-125
Screw, Hex, M08 X 1.25 X 130 Ss, 3-119, 3-121
Screw, Hex, M08 X 1.25 X 16, 8.8, 2-11
Screw, Hex, M08 X 1.25 X 160, 8.8, 2-49
Screw, Hex, M08 X 1.25 X 20, 8.8, 2-11, 3-29
Screw, Hex, M08 X 1.25 X 20, Ss, 3-65
Screw, Hex, M08 X 1.25 X 25, Ss, 3-33, 3-65
Screw, Hex, M08x1.25 X12,Ss, 3-57, 3-59, 3-77, 3-79
Screw, Hex, M08X1.25X90, 8.8, 2-81
Screw, Hex, M10 X 1.5 X 16, 8.8, 2-19
Screw, Hex, M10 X 1.5 X 20, 8.8, 3-19, 3-21, 3-23
Screw, Hex, M10 X 1.5 X 20, Ss, 2-77, 3-29, 3-49, 3-69
Screw, Hex, M10 X 1.5 X 25, 8.8, 2-85
Screw, Hex, M10 X 1.5 X 25, Ss, N, 2-75
Screw, Hex, M10 X 1.5 X 25, Ss, NI, 3-27
Screw, Hex, M10 X 1.5 X 25, Ss, 2-51, 2-89, 3-16, 3-17, 3-19, 3-21, 3-31, 3-33, 3-65
Screw, Hex, M10 X 1.5 X 30, Ss, 2-67, 3-49, 3-69
Screw, Hex, M10 X 1.5 X 35, 8.8, 2-23, 2-81, 3-97, 3-99, 3-101, 3-103
Screw, Hex, M10 X 1.5 X 35, Ss, 2-31, 2-43
Screw, Hex, M10 X 1.5 X 60, 8.8, 2-23
Screw, Hex, M10 X 1.5 X 60, Ss, 2-65, 2-67
Screw, Hex, M10 X 1.5 X 90, Ss, 2-81
Screw, Hex, M10 X 1.5 X 30, Ss, 2-65
Screw, Hex, M10 X 1.5 X 50, Ss, 2-89
Screw, Hex, M10 X 1.5 X 80, 8.8, 2-89
Screw, Hex, M10 X 1.50 X 70, 8.8, 2-89
Screw, Hex, M12 X 1.75 X 40, 8.8, 3-33
Screw, Hex, M12 X 1.75 X 25, 8.8, 2-11, 2-25
Screw, Hex, M12 X 1.75 X 30, Ss, 2-69, 2-71, 3-119, 3-121, 3-123, 3-125
Screw, Hex, M12 X 1.75 X 40, 8.8, 2-29
Screw, Hex, M12 X 1.75 X 50, 8.8, 2-93
Screw, Hex, M12 X 1.75 X 50, Ss, 3-57, 3-59, 3-77, 3-79
Screw, Hex, M12 X 1.75 X 80, 8.8, 2-75, 2-93, 3-27
Screw, Hex, M12 X 1.75 X 120, 8.8, 2-81
Screw, Hex, M16 X 2.0 X 20, 8.8, 2-79, 2-81
Screw, Hex, M4 X 0.7 X 12, 8.8, 2-35
Screw, Hex, M4 X 0.70 X 50, Ss, 4-23
Screw, Hex, M5 X 0.8 X 16, Ss, 3-129
Screw, Hex, M5 X 0.8 X 16, 8.8, 2-116
Screw, Hex, M5 X 0.8 X 20, 8.8, 2-33
Screw, Hex, M5 X 0.80 X 12, 8.8, 2-39, 2-117, 3-91
Screw, Hex, M6 X 1.0 X 16, 8.8, 2-33, 2-35
Screw, Hex, M6 X 1.0 X 30, 8.8, 2-116
Screw, Hex, M6 X 1.0 X 12, Fmg, 3-97, 3-99, 3-101, 3-103

- Screw, Hex, M6 X 1.00 X 12, Ss, 3-97, 3-99, 3-101, 3-103
- Screw, Hex, M6 X 1.00 X 16, 8.8, 2-39
- Screw, Hex, M6 X 1.00 X 16, NI, Ss, 2-75
- Screw, Hex, M6 X 1.00 X 20, 8.8, 2-47
- Screw, Hex, M6 X 1.00 X 20, 9.8, Sems, 3-91
- Screw, Hex, M6 X 1.00 X 25, Fmg, 2-23
- Screw, Hex, M6 X 1.00 X 35, 8.8, 2-109
- Screw, Hex, M6X1.0X16, Ss, NI, 2-19
- Screw, Hex, M6X1.0X20, Ss, 3-61, 3-81
- Screw, Hex, M8 X 1.25 X 16, Ss, NI, 3-53, 3-73
- Screw, Hex, M8 X 1.25 X 20, 8.8, 2-35
- Screw, Hex, M8 X 1.25 X 25, Ss, 2-35
- Screw, Hex, M8 X 1.25 X 16, 8.8, 2-39, 3-91
- Screw, Hex, M8 X 1.25 X 20, Ss, 3-133, 3-139, 3-141, 3-143
- Screw, Hex, M8 X 1.25 X 25, 9.8, Sems, 3-91
- Screw, Hex, M8 X 1.25 X 30, 8.8, 3-91
- Screw, Hex, M8 X 1.25 X 50, Ss, Fl, 2-97
- Screw, Hex, M8X1.25 X 35, 8.8, 2-86
- Screw, Mtg, 4-15
- Screw, Pan, .25-20 X 1.00, 2, 2-23
- Screw, Pan, .31-18 X 0.75, G1, 2-21
- Screw, Pan, #06-32X0.38, 1, 2-105
- Screw, Pan, #10-14 X 0.75, F/Plstc, 3-87
- Screw, Pan, #10-14 X 0.75, F/Plstc, 3-5, 3-7, 3-13, 3-15
- Screw, Pan, #10-14X0.75, F/Plstc, 3-117
- Screw, Pan, #12-16 x 0.50, F/Plstc, 3-151
- Screw, Pan, M 4 X 0.7 X 6, 4.8, 2-109
- Screw, Pan, M 5 X 0.8 X 6, 4.8, 2-109
- Screw, Pan, M04 X 0.7 X 10, Ss, 2-15, 2-95
- Screw, Pan, M04 X 0.7 X 20, Ss, 3-107
- Screw, Pan, M04 X 0.7 X 35, Ss, 2-7, 3-49, 3-69, 3-129
- Screw, Pan, M04 X 0.7 X 35, Ss, 2-9
- Screw, Pan, M05 X 0.8 X 6, 4.8, 2-23
- Screw, Pan, M05 X 0.8 X 25, Ss, 3-47, 3-65
- Screw, Pan, M06 X 1.0 X 10, Ss, 3-49, 3-69
- Screw, Pan, M06 X 1.0 X 35, Ss, 2-7
- Screw, Pan, M06-1.0 X 12, NI, 2-85
- Screw, Pan, Phl, .31-18 X 1.00, G2, 2-21
- Screw, Pan, Phl, M5 X 0.80 X 16, Tcut,Ss, 4-23
- Screw, Set, .31-18 X 0.50, Soc, 2-97
- Screw, Set, #10-32 X 0.38, Al, 3-49, 3-69
- Screw, Set, M06 X 1.0 X 8, NI, 2-78
- Screw, Soc, M08 X 1.25 X 25, 12.9, 2-23, 3-39, 3-55, 3-75
- Screw, Soc, M08 X 1.25 X 60, 12.9, 2-25
- Screw, Soc, M08 X 1.25 X 80, 12.9, 2-25
- Screw, Soc, M10 X 1.5 X 25, 12.9, 2-93
- Screw, Soc, M12 X 1.75 X 45, 2-19
- Screw, 4-3, 4-13, 4-16
- Seal connector, 4-13
- Seal Kit, Cartridge, 4-18
- Seal kit, 4-13
- Seal, Bulb, [Sd-168], 12.50l, 2-25
- Seal, Bulb, [Sd-504], 15.52l, 2-25
- Seal, Bulb, [Sd-504], 15.60l, 2-13
- Seal, Bulb, [Sd-504], 2.40l, 2-13
- Seal, Bulb, [Sd-504], 21.70l, 2-13
- Seal, Bulb, [Sd-504], 25.00l, 2-13
- Seal, Bulb, [Sd-504], 27.90l, 2-25
- Seal, Bulb, [Sd-504], 4.20l, 2-13
- Seal, Bulb, [Sd-504], 5.30l, 2-13
- Seal, Bulb, [Sd-504], 5.70l, 2-13
- Seal, Bulb,[Sd-504], 13.80l, 2-13
- Seal, Cup, Lower, 4-15
- Seal, Cup, Upper, 4-15
- Seal, Fan, 4-5
- Seal, Horiz, 2-95
- Seal, Hppr, Horiz, 2-3, 2-85, 2-86
- Seal, Hppr, Vertical, 2-3, 2-85
- Seal, O-Ring, .072 X .35id, 4-17
- Seal, O-Ring, .139 X 2.98id, 2-25
- Seal, O-Ring,, 4-17
- Seal, O-Ring, 2-25
- Seal, Rbr, Clsd, 0.25th, 5.8d 03.3h, 2-3, 2-4, 2-5, 2-47
- Seal, Vac Fan, 2-5, 2-97
- Seal, Vacfan, [8010], 2-3
- Seal, Vertical, 2-95
- Seal, Wire, 14/16ga [Wp / Mp280 Sealed], 4-21
- Seal, 2-5, 2-45, 3-89, 4-11
- Seat (Replaced by 9005082), 2-21
- Seat, Std [Michigan, Model V-2505], 2-21
- Seat, Suspension, 3-25
- Seatbelt, 3-23
- Sensor, Level, Liquid [Magnetic], 2-43, 3-87
- Sensor, Level, Liquid, 14vdc 01a .62-11, 2-43
- Sensor, Pedal Position, 2-23
- Sensor, Position, Pedal, 2-23
- Shaft, Drive, Brush, 3-49, 3-69
- Shaft, Output, 4-16
- Shaft, Thrd, 3-29
- Shaft, Threaded, 2-77, 2-81
- Shaft, 2-29, 2-78, 2-79, 2-93, 2-97
- Sheave, [3v], 1grv, 02.6pd 0.63b, 2-97
- Sheave, 01grv, 02.6pd 0.71b, Gray [Hc41], 2-79
- Sheave, 01grv, 03.8pd 0.68b, Gray [3v], 2-79
- Sheave, 01grv, 04.5pd, 0.75b, Gray [3v], 2-78
- Sheave, 01grv, 04.7pd 0.75b, Gray [3v], 2-97
- Sheave, Flat, 2.6d 0.62w, 0.38b, 2-79
- Sheave, Idler, 15mm Id, 2.44pd, 2-83
- Sheave, 2-79
- Shell, 4-3, 4-5
- Shoe, Plstc, Sqge, 14inch, 3-117
- Shunt, 2 Hd Motor, Red [SCB 515] (For Heavy Duty Motor), 2-59
- Shunt, 2 Std Motor, Blk [SCB 515] (For Standard Motor), 2-59
- Shunt, 2Hd Mtrs, Scrub 515, Red, 3-55, 3-75
- Shunt, 3 Std Mtrs, Scrub 515, Yellow, 3-39
- Skirt, Front, Scrub Head, 2-Brush, Ele, 2-3, 2-4, 2-51
- Skirt, Front, Scrub Head, 3-Brush, Ele, 2-3, 3-31
- Skirt, Lh, 2-3, 2-79
- Skirt, Rear, Scrub Head, 2-Brush, Ele, 2-3, 2-4, 2-51
- Skirt, Rear, Scrub Head, 3-Brush, Ele, 2-3, 3-31
- Skirt, Recirculation, 2-3, 2-5, 2-89
- Skirt, Rh, 2-3, 2-81
- Skirt, Side, Scrbr Head, Ele, 2-3, 2-4
- Skirt, Side, Scrub Head, 2-Brush, Ele, 2-51
- Skirt, 2-73, 3-29
- Sleeve, .318B .589D .325Ss, 2-81
- Sleeve, .335b X .62d X .52l, Sst, 3-41, 3-45
- Sleeve, .38b X .75d X 1.5l, Bronze, 2-49
- Sleeve, 0.32b 0.50d 0.3l, 2cham, Ss, 2-39
- Sleeve, 0.62d 0.34b 1.19l Bnz, 3-119, 3-121
- Sleeve, Nyl, #15 14.0l, 2-111, 2-113
- Sleeve, P/M 0.625D 0.406B 0.38L 430Ss, 2-77
- Sleeve, P/M, 0.44b 0.75d 0.5l [430ss], 3-119, 3-121
- Sleeve, P/M, 0.625d 0.335b 0.52l Ss, 2-61, 2-63
- Sleeve, P/M, 0.625D 0.406B 0.38L 430Ss, 3-29
- Sleeve, P/M, 0.745d 0.438b 0.50l 430ss, 2-67
- Sleeve, 2-15, 2-27, 2-43, 2-59, 2-61, 2-63, 2-67, 2-69, 2-71, 2-75, 2-89, 3-27, 3-39, 3-41, 3-45, 3-55, 3-75, 3-119, 3-121, 3-123, 3-125
- Snap Ring, 4-6, 4-8
- Solenoid, Filter Shaker, 2-95
- Solenoid, Valve, Hyd, 36vdc, 4-18
- Spacer, .41b .63d .13l, Ss 430pm, 2-65
- Spacer, Battery, Lh, Iron Gray, 3-133, 3-137, 3-139, 3-143
- Spacer, Battery, Lh, 3-135, 3-141
- Spacer, Battery, Rear, Iron Gray, 3-133, 3-135, 3-137, 3-139, 3-143
- Spacer, Battery, Rear, 3-141
- Spacer, Battery, Rh, Iron Gray, 3-133, 3-137, 3-139, 3-143
- Spacer, Battery, Rh, 3-135, 3-141
- Spacer, Flanged, 2-77, 3-29
- Spacer, Fltr, Horiz, 2-95
- Spacer, Fltr, Vertical, 2-95
- Spacer, Idler .25 Lg, 2-83
- Spacer, Iron Gray, 2-89
- Spacer, Latch, Filter, 2-43
- Spacer, Plate, 3-33, 3-47, 3-65
- Spacer, Rnd, .38B .88D .63L, 2-21

CROSS REFERENCE

- Spacer, Short, 2-89
Spacer, Washer, 2-53, 3-33, 3-47, 3-65
Spacer, 2-23, 2-89, 2-97, 4-3, 4-5, 4-16, 4-19
Spring, Bearing, 4-9
Spring, Brush, 4-10, 4-11, 4-20
Spring, Cmpr, 0.36od .04wir 2.5l, 2-15
Spring, Cmpr, 1.5 Od .75id X 2.5l, 2-49
Spring, Cmpr, .87od .042wir 2.0l, 2-69, 2-71, 3-119, 3-121, 3-123, 3-125
Spring, Compression, 3-111
Spring, Cover, 2-31
Spring, Die, 1.00od 0.50id 1.25l, 2-75, 3-27
Spring, Die, 1.00od 0.50id 2.00l, 2-65
Spring, Extn, 0.50Od X 0.04Wir, 3.0L, 2-83
Spring, Extn, 0.75od X 0.09wir, 2.5l, 2-61, 2-63, 3-41, 3-45, 3-57, 3-59, 3-77, 3-79
Spring, Extn, 1.00od X 0.11wir, 5.5l, 2-27
Spring, Extn, 1.10od X 0.15wir, 3.2l, 2-75, 3-27
Spring, Extn, 1.69od X 0.20wir, 9.5l, 2-67, 3-119, 3-121
Spring, Extn, 0.43OD 0.05Wir 01.4L, 2-95
Spring, load, 4-3
Spring, Motor, Iron Gray, 3-49, 3-69
Spring, Retaining, Brush, 4-8
Spring, Tors, .81ld .09W 3.0 Coil, 2-89
Spring, Tors, 0.75id .06wir 02.8coil, 2-27
Spring, Torsion, 2-19
Spring, Wir, 0.16d, Brush Retaining, 2-7, 2-9
Spring, 3-13, 3-15, 4-5, 4-9, 4-15
Sprocker, Timing, 4.26Pd, 68 Grv, Pl, 3-49
Sprocket Wldt, #40, 96tooth, 7.00 B, 2-25
Sprocket Wldt, 40, 18tooth, Iron Gray, 2-91
Sprocket Wldt, 40, 32tooth, 1.66b, Gray, 2-93
Sprocket, #40 24-Tooth, 2-19
Sprocket, Hopper, 2-91
Sprocket, Idler, 2-93
Sprocket, Timing, 23tooth, 0.625b, 3-49, 3-69
Sprocket, Timing, 4.261Pd, 68Grv, Pl, 3-69
Squeegee Assy Kit, Rear, Ci [Mp1000], 2-71, 3-125
Squeegee Assy Kit, Rear, Ci [Mp1200], 3-121
Squeegee, Side, Ure, [7300/830], 3-126, 3-127
Squeegee, Side, 2-3, 2-4, 2-61, 2-63, 3-41, 3-45, 3-57, 3-59, 3-77, 3-79
Stand-Off, 1.25, Metal, 2-115
Stand-Off, 1.25, Plstc, 2-115
Stationary Fan, 4-5
Steer-Control, Hyd (Replaced by 387653), 2-19
Steer-Control, Hyd (See Breakdowns), 2-19
Steer-Control, Hyd, 4-19
Stem, Valve, Hyd, 4-18
Stop Wldt (Replaced by 398454), 3-129
Stop Wldt, Iron Gray, 3-129
Stop Wldt, Tip, Iron Gray, 2-11
Stop, 2-11
Strainer, Pump, Es, 3-87
Strainer, Soltn, Switch Guard (Repl By 1019285), 3-87
Strainer, Soltn, Switch Guard (Repl. By 387649), 2-43
Strainer, Tank, Solution, 3-87
Strap, 2-45, 3-89
Strip, Flap, Iron Gray, 2-89
Strip, Flap, Recirculation, Iron Gray, 2-89
Strip, Iron Gray, 2-73, 3-29
Strip, Nonslip, 2-69, 2-71, 3-119, 3-121, 3-123, 3-125
Strip, Retainer, 3-111
Strip, Stl, 0.05th X 00.75w, 07.80l, 2-23
Stud, .31-18 2.75l M8 X 1.25, Ss, 2-69, 2-71, 3-119, 3-121, 3-123, 3-125
Stud, Adj, 3-111
Stud, Ball, .39d .31-16, Gasspring, 2-59, 3-39, 3-55, 3-75
Support Wldt, Iron Gray, 2-67
Support Wldt, 2-67
Switch Assy, Dual Press, 14" Tube, 3-87
Switch Assy, Press, 3 Inch, 8" Tube, 3-87
Switch Assy, Press, 4 Inch, 2-43
Switch Assy, Roller, No, 2-85
Switch assy, 4-13
Switch, Limit, No, 3-129
Switch, No (Replaced by 398454), 3-129
Switch, Press, 25 Psi, Pm02, 3-91
Switch, Rocker, 36vdc 05a Progressive, 2-116
Switch, Rocker, Prgsv, 2-117, 3-93
Switch, Rocker, Spst, Mom, 4-23
Switch, Rocker, 2-17, 3-5, 3-7, 3-9, 3-11, 3-115
Switch, Safety, Shutoff, 2-17
Switch, Seat, No [Delta 6440-04], 2-21
Switch, Seat, 2-21
Switch, Start, 2-17
Switch, Vacuum, Dual Level, 2-47
Switch, 2-17
T
Tag, Operator, [8300], 2-146
Taillight, 12vdc, 3.6 X 1.9, Rework87277, 2-11
Tank Kit, Recvy, W/ Label, Replmt [8300], 2-43
Tank Kit, Recvy, W/ Label, Teal, Replmt, 2-43
Tank Kit, Soltn, W/ Label, Replmt [8300], 2-31
Tank Kit, Soltn, W/ Label, Teal, Replmt, 2-31
Tank, Detergent, 3-107
Tape, Foam, 2-115
Terminal female, 4-13
Terminal, [Metripk630], Fem 10, 4-9
Terminal, Fem, Mp280, Sealed, 18-16ga, 4-21
Terminal, Female, 4-5, 4-6, 4-7
Terminal, female, 4-3
Terminal, Qdc, [.25m, Tab ,], 2-95
Terminal, 4-10, 4-12, 4-20
Thermostat, 2-95
Tie, Cable, Nyl, 07.3l .19w 1.8 Max D, 2-21, 2-55, 2-57, 2-85, 2-95, 3-5, 3-7, 3-13, 3-35, 3-37, 3-87, 3-115
Tie, Cable, Nyl, 07.3L .19W 1.8MaxD, 2-95
Tie, Cable, Nyl, 11.4l .19w 3.0 Max D, 2-51, 3-31
Tie, Cable, Nyl, 14.5l .30w 4.0 Max D, 2-55, 2-57, 3-35, 3-37
Tie, Cable, Nyl, 28.5l .50w 8.0 Max D, 2-111, 2-113
Timer, 36vdc, 5a [25hz Pwm, 70%Duty], 2-109
Timer, 9-41vdc, Recycling, 2-116
Tire Assy, 16 X 5 X 12.12, 2-3
Tire Assy, Non-Skid, 16X5X12.12 (Option), 2-29
Tire Assy, Solid, 16.2X6.0 5.7Bc/5 Bolt, 2-25
Tire Assy, Solid, 16.2x6.0 5.7bc/5bolt, 2-3
Tire, Drive, Scrbr, Non-Skid, 16.0X6.0 (Option), 2-25
Tire, Drive, Scrbr, Pu, Grey, 16.0X6.0 (Polyurethane Option), 2-25
Tire, Idler, Scrbr, Blk, 16.0X5.0, 2-29
Tire, Idler, Scrbr, Pu, Grey, 16.0X5.0 (Polyurethane Option), 2-29
Tire, Solid, 16.2X6.0X11.2, 2-25
Tray Wldt, Battery, 500Ah, 750Ah, 3-144
Tray Wldt, Power Wand, Iron Gray, 3-115
Tray Wldt, Power Wand, 3-115
Tray, Debris, 40.0l, 3-63
Tray, Debris, 40L, W/Holes, 3-61
Tray, Debris, 48.0l, 3-83
Tray, Debris, 48L, W/Holes, 3-81
Tread, Floor, 12.5 X 5.75, 3-33, 3-65
Tread, Non Skid, 2.2w 11.5l, 2-23
Tread, Non-Skid, 02.2 11.5, 2-23
Tread, Non-Skid, 06.0w X 15.5l, 2-23
Tread, Non-Skid, 2-23
Tread, Step, 3-33
Tube Assy, 2 Inch, 2-43
Tube Assy, Spray Bar 40" [7300/8300], 3-53
Tube Wldt, Brush, Iron Gray, 2-81
Tube Wldt, Upper, Iron Gray, 3-63, 3-83
Tube Wldt, Vacuum, Scrbr Head, Iron Gray, 3-63, 3-83
Tube Wldt, 3-43, 3-63, 3-83
Tube, 0.34id 0.62od 00.2l, Stl, 3-91
Tube, 0.69id 1.25od 00.4l, Rod-End, Gray, 2-53, 3-33, 3-47, 3-65, 3-66
Tube, Guard, Oprtr, Pnt, Lh, 3-19
Tube, Guard, Oprtr, Pnt, Rh, 3-19
Tube, Ohg, Oprtr, Lh, Pntd, Iron Gray, 3-21
Tube, Ohg, Oprtr, Rh, Pntd, Iron Gray, 3-21

Tube, Pvc, Shc80, Clear, 4.0l, 2-37
 Tube, Wand, Vacuum, Metal, 3-117

V

Vacuum Fan, 4-5
 Valve Kit, Pump, 4-14
 Valve Stem, 4-17
 Valve, Ball, Drain, 1.50ID, Ss, Rwk, 3-97,
 3-99, 3-101, 3-103
 Valve, Check, 2 Gpm 0.5psi Bm04/Bm04,
 2-35
 Valve, Check, 2 Gpm 3" 06bm/08bm,
 2-33
 Valve, Check, 0002psi [Fast li+], 4-24
 Valve, Check, 0005psi [Fast li+], 4-24
 Valve, Check, 0005psi Bm06/Bm08, 2-39
 Valve, Check, 0030psi Pm04/Pf04, 3-91
 Valve, Cntrl, Hyd, Solenoid, 36Vdc 06Gpm
 (See Breakdowns), 2-99
 Valve, Cntrl, Hyd, Solenoid, 36vdc 06gpm,
 4-18
 Valve, Flow Control, Hose Adapter, 3-87
 Valve, Hyd, Solenoid (See Breakdowns)
 Replaced by 1049212, 2-99
 Valve, Hyd, Solenoid, 4-17
 Valve, Solenoid, 0.25" Orifice, 24vdc, 4-23
 Valve, Solenoid, 36vdc, 3-85
 Valve, Stem, 4-17
 Valve, Vent, Air, Float Type, 3-91
 Valve, Water, 36vdc, 6.0mm, 04pf, 2-33
 Valve, Water, Solenoid, 36vdc 6.0mm
 Pf04, 2-39
 Valve, Water, 2-41, 2-55, 2-57, 3-35, 3-37,
 3-51, 3-53, 3-71, 3-73, 3-111
 Video, Operator, Vhs, Ntsc [8300], 3-152
 Video, Oprtr, Training, Dvd [8300], 3-152

W

Wand, Clean-Out, 3-87
 Wand, 3-111
 Washer, 0.25b 1.12d .12, Ss, 3-49, 3-69
 Washer, .625 B, 2.50 Od, .211 T, Ss, 2-75,
 3-27
 Washer, 0.31b 0.88d .12, Rbr, 2-31, 3-87
 Washer, 0.40B 1.12D .12, Stil, Pl, 3-47,
 3-65
 Washer, 0.40b 1.12d .12, Stil, Pl, 2-47
 Washer, 0.53b 1.75d .12, Stil, Pl, 2-93
 Washer, 0.53b 1.88d .12, Stil, Pl, 2-69,
 2-71, 3-119, 3-121, 3-123, 3-125
 Washer, 0.60b 1.31d .10, Ss, 2-65
 Washer, 0.81b 1.24d .03, Stil, Pl, 2-77,
 3-29
 Washer, Belleville, .31, 2-51, 3-31
 Washer, Belleville, .38, 2-25
 Washer, Finish, M06, Pl, 2-17
 Washer, fl neo, 10.8x22x1.5, 4-3
 Washer, Flat, .25 Fender, 2-13, 2-81
 Washer, Flat, .31 Fender, 2-73, 3-29
 Washer, Flat, .38 Ss, 2-75, 3-27

Washer, Flat, .38 Std, 2-67
 Washer, Flat, .50 Sae, 3-29
 Washer, Flat, #06, 2-35
 Washer, Flat, #10 Ss, 2-109, 3-129
 Washer, Flat, #10, 2-33
 Washer, Flat, 0.25 Sae, 2-109, 3-43, 3-63,
 3-83
 Washer, Flat, 0.25 Ss, 2-75, 2-113, 3-61,
 3-81
 Washer, Flat, 0.25 Std, 2-33, 2-35, 2-109,
 2-113
 Washer, Flat, 0.25, Sae, 2-47
 Washer, Flat, 0.25, Std, 3-91
 Washer, Flat, 0.27b 0.69d .05, Ss, 3-119,
 3-121
 Washer, Flat, 0.31 Sae, 2-109, 3-129
 Washer, Flat, 0.31 Ss, 3-33, 3-66, 3-129
 Washer, Flat, 0.31 Std, 2-35, 2-86, 2-109
 Washer, Flat, 0.31, Std, 2-39
 Washer, Flat, 0.34b 0.75d 0.12, Viton,
 2-33
 Washer, Flat, 0.34b 0.69d .06, Nyl, 3-93
 Washer, Flat, 0.38 Std, 2-77, 3-29, 3-53,
 3-73
 Washer, Flat, 0.38b 0.88d .08, Ss, 3-133,
 3-139, 3-141, 3-143
 Washer, Flat, 0.40b 1.12d .12, Stil, Pl, 2-49
 Washer, Flat, 08, Ss, 4-23
 Washer, Flat, 1.00 Sae Hard, 2-29
 Washer, Flat, 1.00, Sae, 2-91
 Washer, Flat, 1.50 Std Hard, 2-111, 2-113
 Washer, Flat, 10, Ss, 2-39, 3-91
 Washer, Flat, 10, 2-117
 Washer, Flat, M10, 10.5x21x2ss, 2-89
 Washer, Flat, M12, 13x24x2.5ss, 3-57,
 3-59, 3-77, 3-79
 Washer, Flat, 2-67
 Washer, Flt, .25 Sae, 2-17, 2-79, 2-85,
 2-91, 2-95, 2-107, 2-111, 2-115, 3-13,
 3-15
 Washer, Flt, .25 Ss, 2-7, 2-9, 2-11, 2-15,
 2-41, 2-49, 2-59, 2-61, 2-63, 2-67,
 2-69, 2-71, 2-75, 2-111, 3-27, 3-39,
 3-41, 3-45, 3-49, 3-51, 3-53, 3-55,
 3-57, 3-59, 3-63, 3-69, 3-71, 3-73,
 3-75, 3-77, 3-79, 3-83, 3-85, 3-97,
 3-99, 3-101, 3-103, 3-113, 3-123,
 3-125
 Washer, Flt, .25 Std, 2-23, 2-27, 2-55,
 2-57, 2-79, 2-85, 2-95, 2-107, 2-111,
 3-35, 3-37
 Washer, Flt, .31 Sae, 2-27, 2-73, 2-79,
 2-81, 2-107, 3-5, 3-7, 3-9, 3-11, 3-29
 Washer, Flt, .31 Ss, 2-15, 2-21, 2-27, 2-31,
 2-43, 2-49, 2-51, 2-55, 2-57, 2-59,
 2-61, 2-63, 2-67, 2-69, 2-71, 2-75,
 3-27, 3-31, 3-33, 3-35, 3-37, 3-39,
 3-41, 3-45, 3-51, 3-53, 3-55, 3-71,
 3-73, 3-75, 3-85, 3-87, 3-107, 3-113,
 3-119, 3-121, 3-123, 3-125, 3-129,
 3-135, 3-137

Washer, Flt, .31 Std, 2-11, 2-13, 2-25,
 2-41, 2-73, 2-75, 2-77, 2-79, 2-81,
 2-83, 2-85, 2-89, 2-93, 2-95, 2-97,
 2-99, 2-105, 2-107, 3-25, 3-27, 3-29,
 3-33
 Washer, Flt, .31, 3-115
 Washer, Flt, .38 Sae, 2-23, 2-77, 2-79,
 3-29
 Washer, Flt, .38 Ss, 2-31, 2-43, 2-51, 2-53,
 2-59, 2-61, 2-63, 2-65, 2-67, 3-16,
 3-17, 3-19, 3-21, 3-31, 3-33, 3-39,
 3-41, 3-45, 3-47, 3-49, 3-55, 3-57,
 3-59, 3-65, 3-69, 3-75, 3-77, 3-79
 Washer, Flt, .38 Std, 2-77, 2-79, 2-86,
 2-97, 3-19, 3-21, 3-29, 3-97, 3-99,
 3-101, 3-103
 Washer, Flt, .50 Sae, 2-19, 2-23, 2-29,
 2-75, 2-79, 2-81, 2-83, 2-93, 3-13,
 3-15, 3-27, 3-33
 Washer, Flt, .50 Ss, 2-49, 2-69, 2-71,
 3-119, 3-121, 3-123, 3-125
 Washer, Flt, .50 Std, 2-11, 2-49, 2-77,
 3-23, 3-39, 3-47, 3-65
 Washer, Flt, .75 Sae, 2-85
 Washer, Flt, #06, 3-115, 3-117
 Washer, Flt, #08 Ss, 2-7, 2-9, 3-107
 Washer, Flt, #08, 2-95
 Washer, Flt, #10 Ss, 2-23, 2-41, 2-45,
 2-49, 2-105, 2-107, 3-89
 Washer, Flt, #10, 2-17, 2-85, 2-107, 2-109,
 2-111, 2-113, 3-5, 3-7, 3-13, 3-15
 Washer, Flt, 0.38B 0.88D .08, Ss, 2-43
 Washer, Lock, Int, .25, 2-107, 2-109, 2-111
 Washer, Lock, Int, .31, 2-35, 2-107, 2-109,
 2-111, 2-113
 Washer, Lock, Int, .38, 2-111, 2-113
 Washer, Lock, Int, #06, Ss, 2-115
 Washer, Lock, Int, #08, Ss, 2-109
 Washer, Lock, Int, #08, 2-95
 Washer, Lock, Int, #10, Ss, 2-109, 2-111,
 2-113
 Washer, Lock, Int, #10, 2-11, 2-23, 2-107,
 2-109, 3-13, 3-15
 Washer, Neo., 4-5
 Washer, Polye, 3-97, 3-99, 3-101, 3-103
 Washer, Rbr, .12 0.66B 1.00D, 3-85
 Washer, Rbr, .68idx1.00d, 3-87
 Washer, Thrust, 0.61b 1.25d .06, Fgl,
 2-61, 2-63, 2-67, 3-41, 3-45, 3-57,
 3-59, 3-77, 3-79
 Washer, Thrust, 0.75b 1.25d 0.06w, 3-119,
 3-121
 Washer-Flt 8.4x17 X2 M8, 2-89
 Washer, 2-21, 2-65, 4-3, 4-15
 Wavy Washer, 4-6
 Wheel, 3.0D 0.88W 0.50B, 2-89
 Wheel, 3.0d 1.38w 0.50b, 2-3, 2-4, 2-65
 Wheel, 3.0D 1.38W 0.50B, 2-4
 Wheel, 4.0d 0.89w 0.64b, 3-119, 3-121
 Wheel, 4.0d 0.98w 0.78b, 2-85
 Wheel, Steering, 14.0D, Taper Bore, 2-19
 Wheel, 3-111

CROSS REFERENCE

Wire Assy, 02ga 27.0l Blk .34h /.34h,
2-111, 2-113

Wire Assy, 02ga, 10.0l, Blk, 2-113

Wire Assy, Brush, 4-11

Wire Assy, Jumper Reverse, [515], 3-49,
3-69

Wire, 04ga 09.0l Blk .34ring /.28ring,
2-111

Wire, 04ga 32.0l Blk .31ring /.31ring,
2-111

Wire, 06ga 11.0l Blk .34ring /.28ring,
2-111

Wire, 06Ga 09.0L Blk .34 Ring/.34 Ring,
2-113



We Need Your Help...

As part of Tennant's Zero Defects Program, we want to know about errors you have found or suggestions you may have regarding our machine manuals. If you find an error or have a suggestion, please complete this postage-paid form and mail it to us. Thank you for helping us make zero defects a way of life at Tennant.

Manual No. _____ Rev. No. _____ Publish Date _____ Page _____
Machine _____ Report Error Suggestion

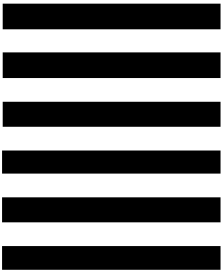
Name _____ Date _____
Customer Number _____
Company _____
Address _____
City/State/Zip Code _____



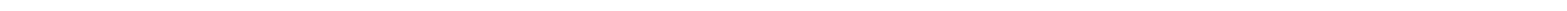
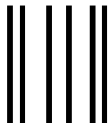
TENNANT COMPANY
 Technical Publications #15
 701 North Lilac Drive
 P.O. Box 1452
 Minneapolis, MN 55440-9947

POSTAGE WILL BE PAID BY ADDRESSEE

BUSINESS REPLY MAIL
 FIRST CLASS MAIL PERMIT NO. 94 MINNEAPOLIS, MN

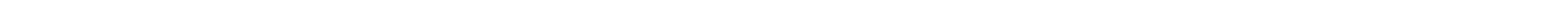


NO POSTAGE
 NECESSARY
 IF MAILED
 IN THE
 UNITED STATES



Fold along dotted lines

Tape here





We Need Your Help...

As part of Tennant's Zero Defects Program, we want to know about errors you have found or suggestions you may have regarding our machine manuals. If you find an error or have a suggestion, please complete this postage-paid form and mail it to us. Thank you for helping us make zero defects a way of life at Tennant.

Manual No. _____ Rev. No. _____ Publish Date _____ Page _____
Machine _____ Report Error Suggestion

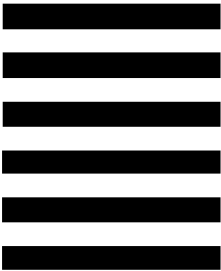
Name _____ Date _____
Customer Number _____
Company _____
Address _____
City/State/Zip Code _____



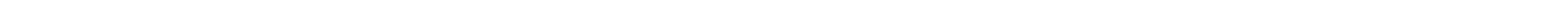
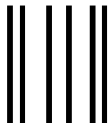
TENNANT COMPANY
 Technical Publications #15
 701 North Lilac Drive
 P.O. Box 1452
 Minneapolis, MN 55440-9947

POSTAGE WILL BE PAID BY ADDRESSEE

BUSINESS REPLY MAIL
 FIRST CLASS MAIL PERMIT NO. 94 MINNEAPOLIS, MN



NO POSTAGE
 NECESSARY
 IF MAILED
 IN THE
 UNITED STATES



Fold along dotted lines

Tape here

