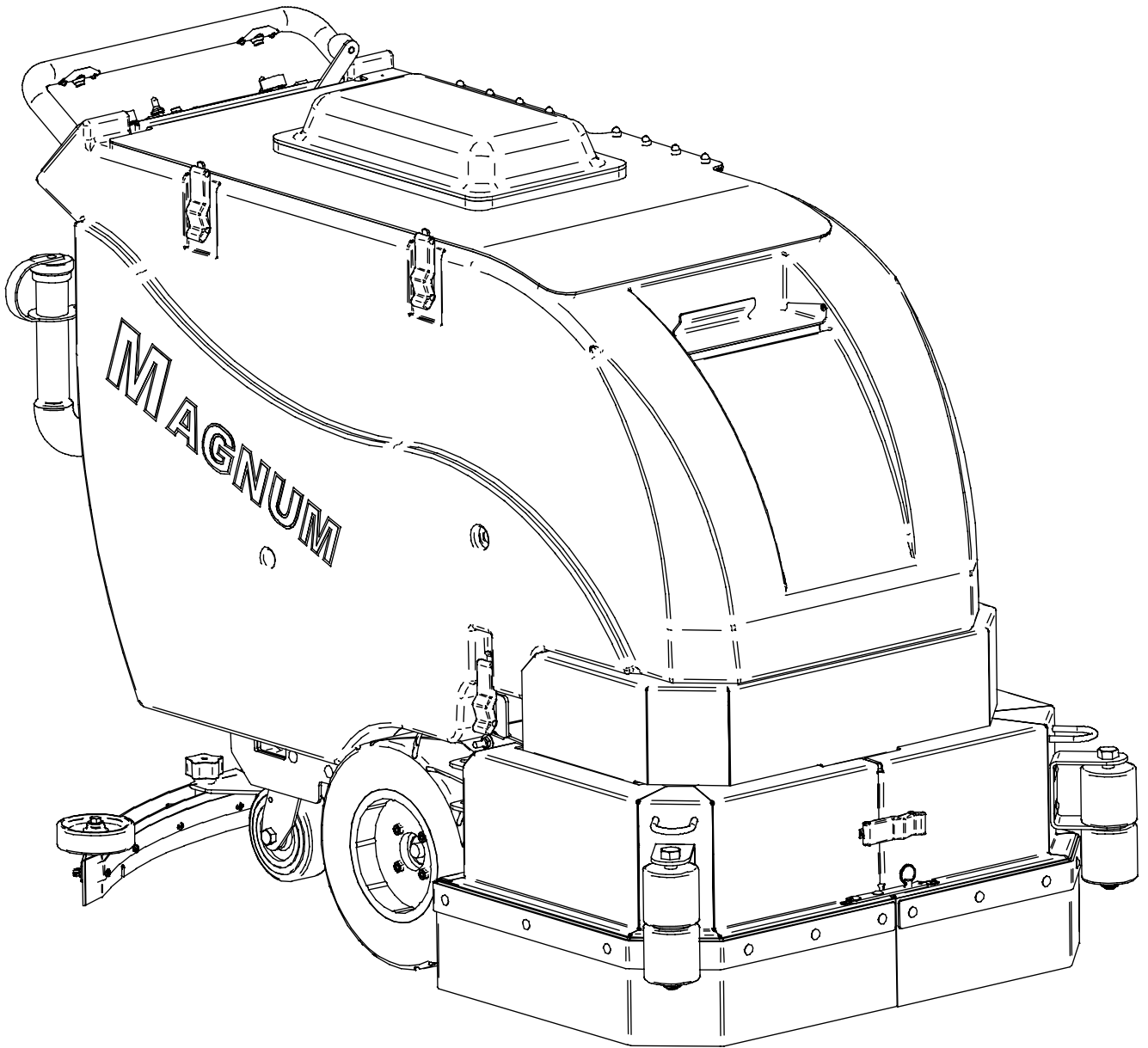


Version 5.0

PARTS MANUAL

MAGNUM SERIES



R.P.S Corporation
P.O. Box 241
Racine Wisconsin 53401

Phone: 1-800-450-9824
Fax: 1-866-632-6961

| | |
|--|----|
| Soap Choices | 4 |
| Actuator Lift Assembly | 6 |
| Caster Foot Assembly | 8 |
| Frame Assembly..... | 10 |
| Frame Assembly..... | 12 |
| Vac Motor Assembly | 14 |
| Tank Baffle..... | 15 |
| Tank Assembly | 16 |
| Tank Assembly | 18 |
| Tank Lid Assembly..... | 20 |
| Squeegee Trail Arm Assembly | 22 |
| Control Panel Assembly | 24 |
| Control Panel Assembly | 26 |
| Control Panel Assembly | 28 |
| 35 Inch Squeegee Assembly | 30 |
| 38 Inch Squeegee Assembly | 32 |
| Cylindrical Door Assembly | 34 |
| Cylindrical Deck Assembly (before serial # 50000) | 36 |
| Cylindrical Deck Assembly (Serial # 50000 and greater) | 38 |
| Cylindrical Deck Assembly (before serial # 50000) | 40 |
| Cylindrical Deck Assembly (before serial # 50000) | 44 |
| Cylindrical Deck Assembly (Serial # 50000 and greater) | 46 |
| Disk Scrub Deck Assembly | 48 |
| Disk Scrub Deck Assembly | 50 |
| Attach Disk Scrub Deck and Bandeau Cover..... | 52 |
| Attach Cylindrical Scrub Deck and Bandeau Cover | 54 |
| Option #253-10 Spray Jet System | 56 |
| Electric Squeegee Lift (optional) | 58 |
| Vac Wand Kit (optional) | 60 |
| Side Brooms | 62 |
| Jaws | 64 |
| Left Shroud..... | 66 |
| Right Shroud | 67 |
| SUDS System..... | 68 |



Industrial • Commercial • Environmentally Safe

TRADITIONAL DRUMS / TOTES



DEMO / RENTAL QUARTS



WALL-MOUNTED SUPERCON



ONBOARD AUTO DISPENSING



Onboard Availability

FORMULAS

SUDS Approved



707 Citrus Green An environmentally cleaner that works! It is a solvent free degreaser that works on oil, carbon, even rubber marks. Incorporates the latest technology in "Green Cleaning".

SUDS Approved



733 Low pH Safe on most surfaces not harmed by water alone. Low scale formula to prevent alkali buildup in cleaning equipment, while offer detergent to emulsify oil.

SUDS Approved



755 High Power Ideal solvent fortified degreaser. This butyl based detergent is penetrating, fast acting, and deep cleaning with built-in corrosion inhibitors. It is our most effective degreaser.

SUDS Approved



757 Gloss A high gloss detergent designed to dry to a bright shine. It is ideal for use on finished surfaces, tile, epoxy, or enamel. The special formula removes salt residue, scuff marks and dirt, while leaving no residue behind. The result is a clean, non-slip surface, ready for immediate use.

SUDS Approved



797 HD The Heavy Duty concentrate is a Super alkaline detergent, formulated for heavy soil, grease, and thick buildup. Popular in machine shops, auto and truck repair, and other facilities with oil, hydraulic fluids and cutting oils.

***Below Sold in bulk concentrate only. Not available as a SuperCon, PowerDose or SUDS product.*

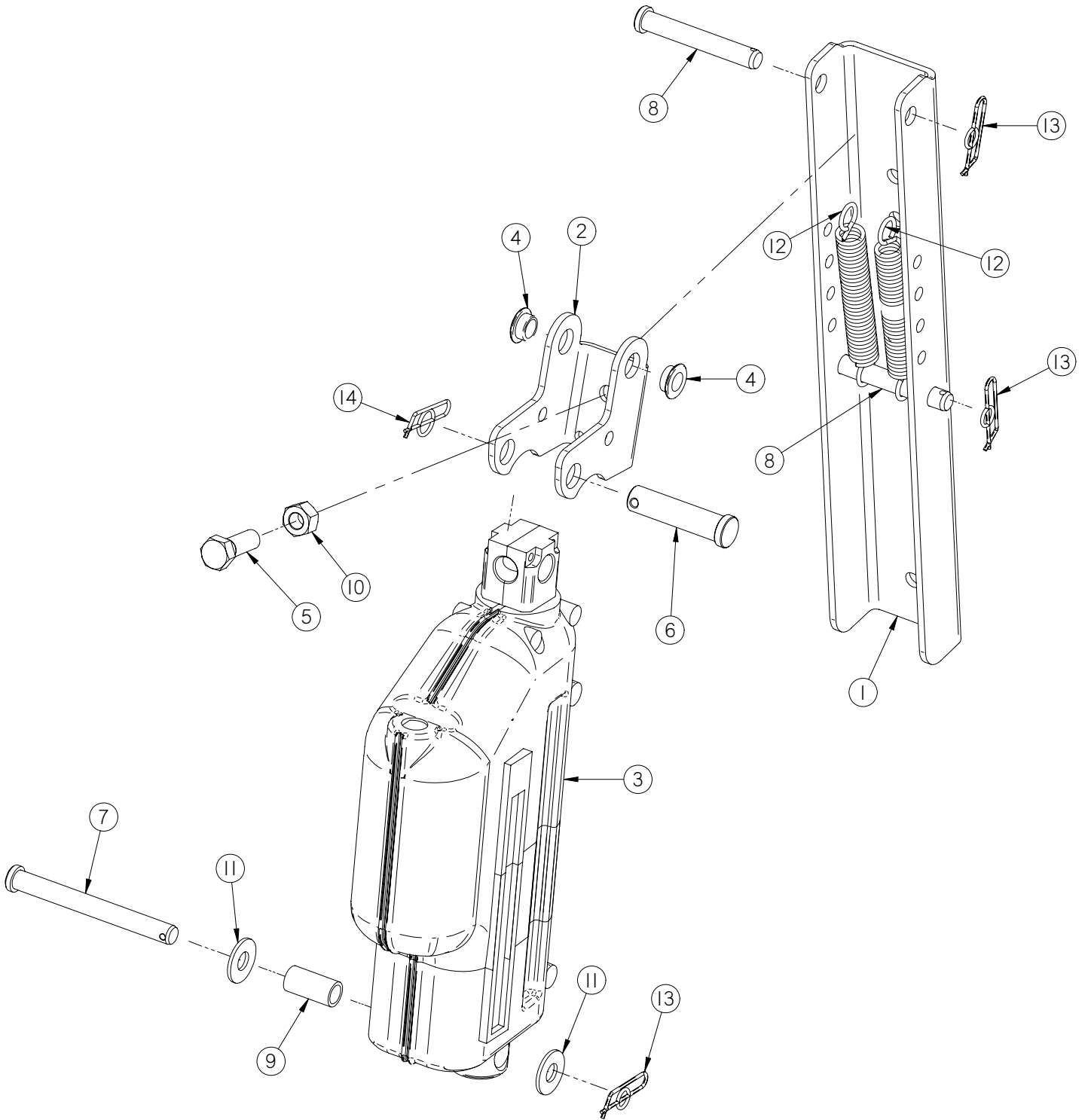
727 Pretreat** Designed to quickly remove tire marks, oil stains and buildup that has accumulated. This pretreat uses the powerful cleaning of natural citrus extract and is intended to be used directly on the floor at 100% concentrate.

744 Tough Stuff** Ideal for applications with Hard Water problems. It is safe to use in pressure washers and automatic scrubbers. The formulation enhances soil suspension, digests oil and grease, while supporting extra water conditioner.

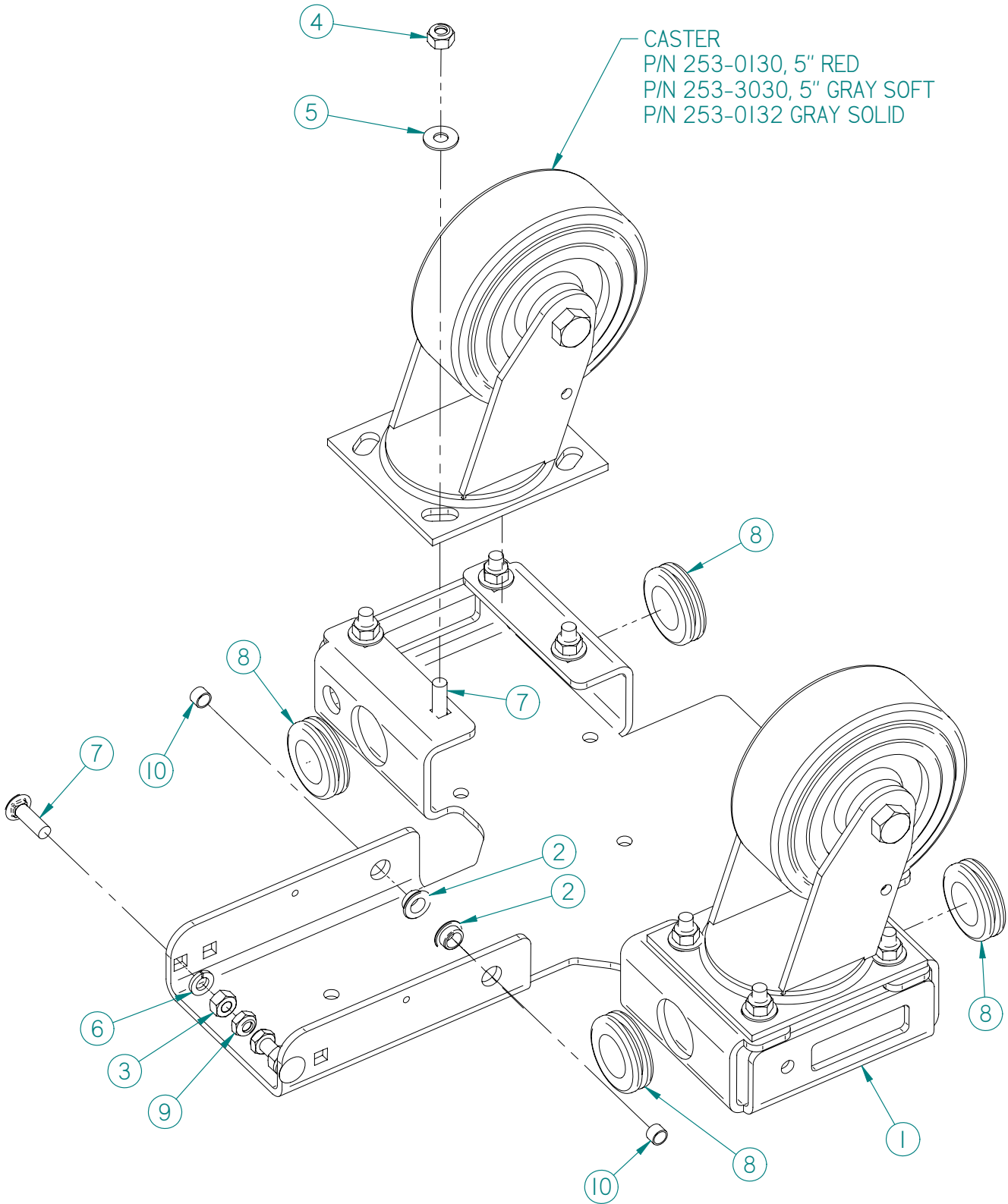
Distributed by:

**PowerCat
P.O. Box 503
Racine, WI 53404-0503
Phone: 414-745-9337
Fax: 262-632-1630
www.powercatsolutions.com**

PowerCat, LLC, 2008.



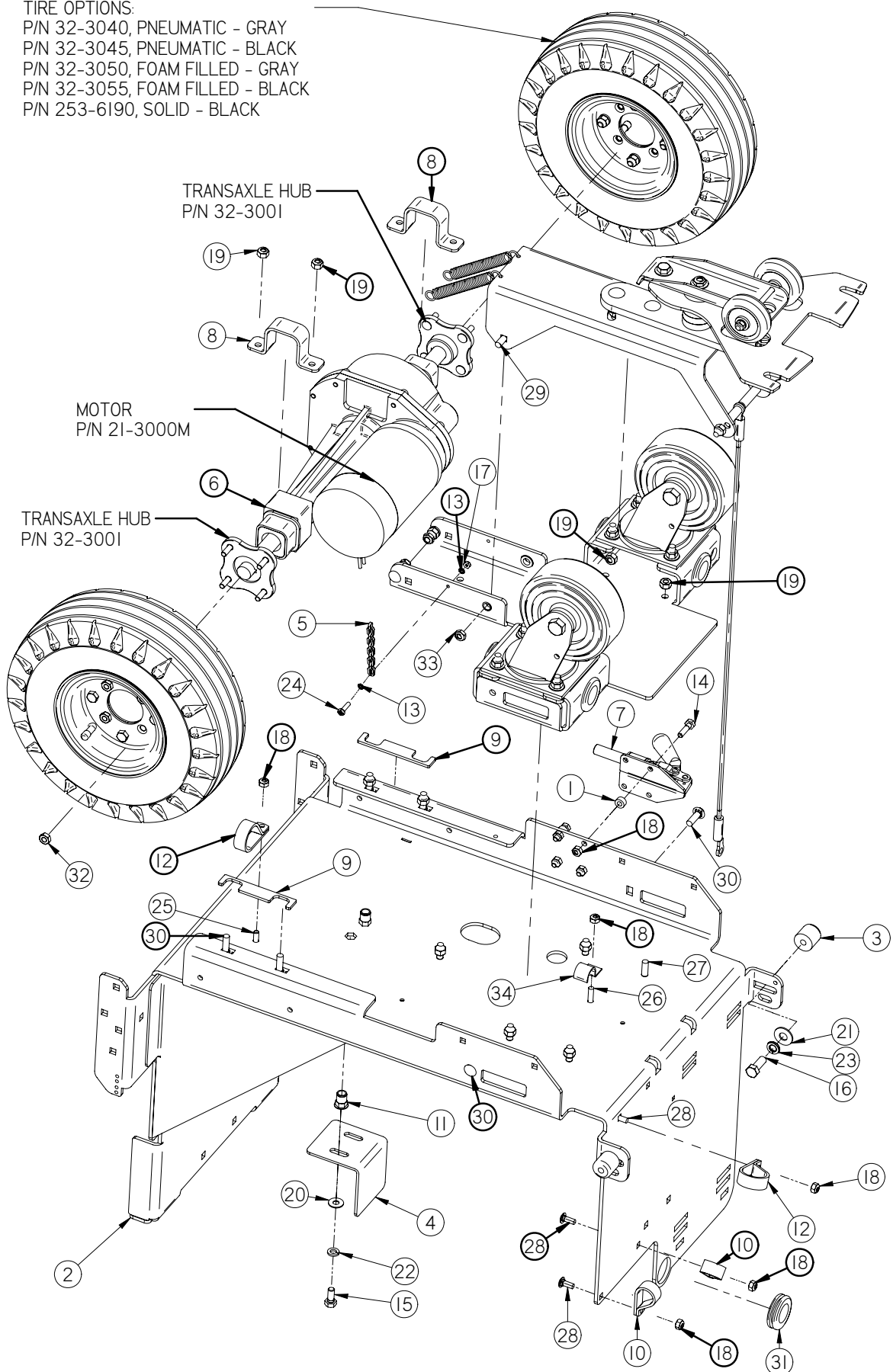
| Item | Part Number | Part Description | Qty |
|------|-------------|-------------------------------------|-----|
| 1 | 190-1155 | ACTUATOR ANCHOR | 1 |
| 2 | 253-1150 | ACTUATOR ARM | 1 |
| 3 | 253-2210 | 4" STROKE 24V ACTUATOR 1000 LB LOAD | 1 |
| 4 | 290-1233 | 3/8" ID, 1/2" OD, 1/4" LG BEARING | 2 |
| 5 | H-01219 | HCS 3/8"- 24 X 1 1/8" SS | 1 |
| 6 | H-0156771 | CLEVIS PIN, 1/2" OD X 2" LG | 1 |
| 7 | H-0156943 | 3/8" X 3-1/2" CLEVIS PIN | 1 |
| 8 | H-15675 | CLEVIS PIN, 3/8" X 2-1/2" | 2 |
| 9 | H-63917 | SLEEVE, .50 OD X .375 ID X 1.0 LG | 1 |
| 10 | H-70732 | HN 3/8"- 24 SS | 1 |
| 11 | H-71017 | FW 3/8" X 7/8" SS | 2 |
| 12 | H-96544 | SPRING, 4-1/8" LG, 9/16" OD | 2 |
| 13 | H-RUE14 | 3/8" RUE RING COTTER | 3 |
| 14 | H-RUE22 | 1/2" RUE RING COTTER | 1 |



| Item | Part Number | Part Description | Qty |
|------|-------------|---|-----|
| 1 | 253-1380 | CASTER FOOT | 1 |
| 2 | 290-1233 | 3/8" ID, 1/2" OD, 1/4" LG BEARING | 2 |
| 3 | H-70711 | HN 5/16"- 18 SS | 2 |
| 4 | H-70861 | NYLOK 5/16" - 18 SS | 8 |
| 5 | H-71015 | FW 5/16" X 3/4" SS | 8 |
| 6 | H-71065 | LW 5/16" SS | 2 |
| 7 | H-74430 | CB 5/16"- 18 X 1" SS | 10 |
| 8 | H-9307K74 | GROMMET, 1" ID X 1-3/4" OD BUNA-N | 4 |
| 9 | H-NJ05C | JNYL 5/16"- 18 SS | 2 |
| 10 | M-639IK403 | .312 ID X .375 OD X .25 LG BEARING SLEEVE | 2 |

10 Frame Assembly

TIRE OPTIONS:
 P/N 32-3040, PNEUMATIC - GRAY
 P/N 32-3045, PNEUMATIC - BLACK
 P/N 32-3050, FOAM FILLED - GRAY
 P/N 32-3055, FOAM FILLED - BLACK
 P/N 253-6190, SOLID - BLACK

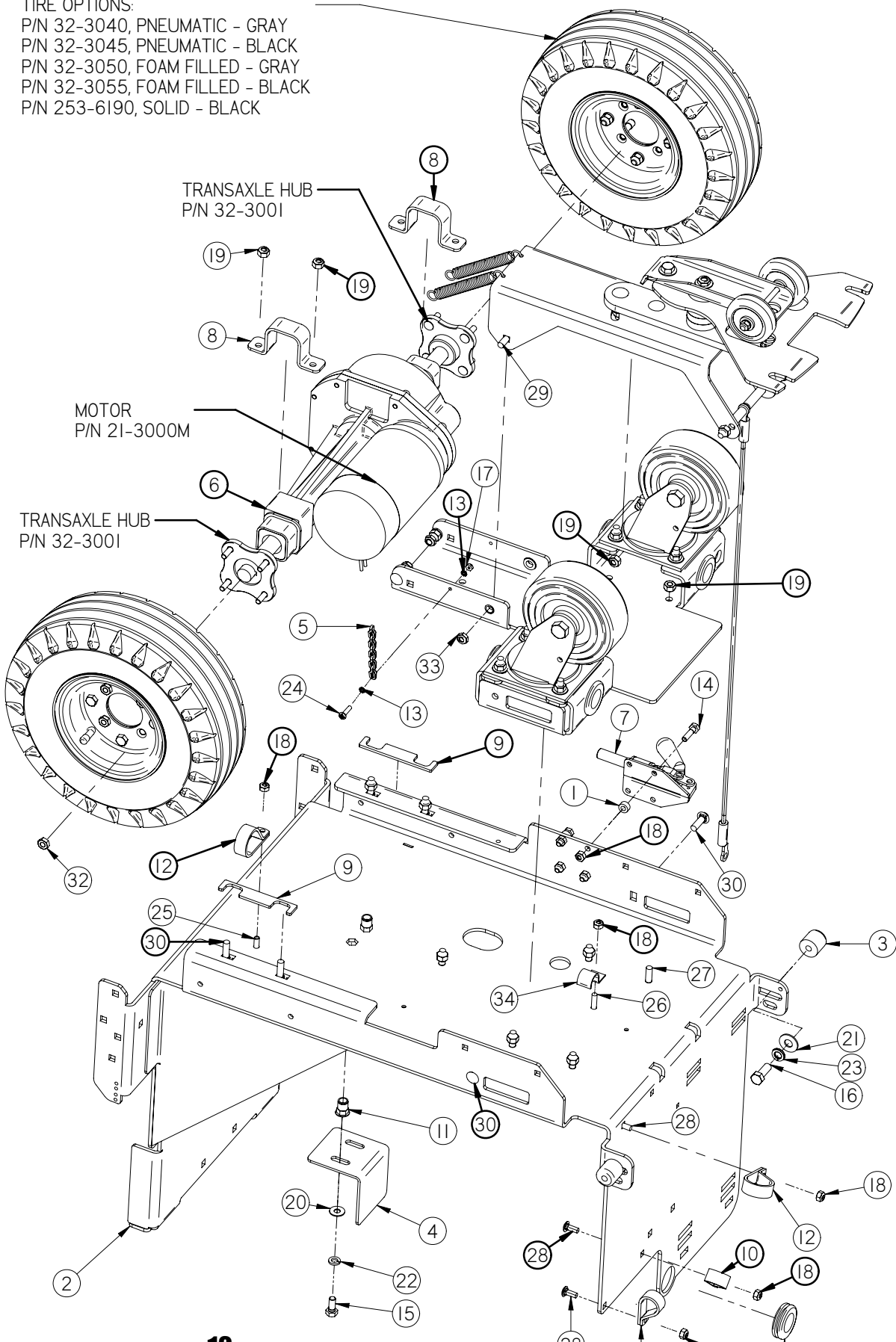


| Item | Part No. | Part Description | Qty. |
|------|-----------|-----------------------------------|------|
| 1 | 21-2211 | SPACER 1/2 OD X 1/4" | 4 |
| 2 | 253-1000 | MAINFRAME WELDMENT | 1 |
| 3 | 253-1060 | BOSS | 2 |
| 4 | 253-1470 | BATTERY TRAY BRACKET | 1 |
| 5 | 253-1618 | GROUNDING CHAIN, 12" | 1 |
| 6 | 253-3009 | TRANS AXLE | 1 |
| 7 | 253-4000 | PARKING BRAKE (OPTIONAL) | 1 |
| 8 | 32-0999 | AXLE MOUNT | 2 |
| 9 | 7-128B | CASTER SPACER | 2 |
| 10 | H-0127295 | RUBBER LOOP CLAMP, 3/4" | 2 |
| 11 | H-312HCN | HCN 5/16"-18 | 2 |
| 12 | H-3225T | RUBBER LOOP CLAMP, 1-1/2" | 2 |
| 13 | H-33733 | #6 STAR WASHER | 2 |
| 14 | H-70005 | HCS 1/4"- 20 X 1" SS | 4 |
| 15 | H-70053 | HCS 5/16"- 18 X 3/4" SS | 2 |
| 16 | H-70105 | HCS 3/8"- 16 X 1" SS | 2 |
| 17 | H-70855 | NYLOK #6-32 SS | 1 |
| 18 | H-70860 | NYLOK 1/4"- 20 SS | 9 |
| 19 | H-70861 | NYLOK 5/16" - 18 SS | 11 |
| 20 | H-71015 | FW 5/16 ID X 3/4 OD SS | 2 |
| 21 | H-71017 | FW 3/8 ID X 7/8 OD SS | 2 |
| 22 | H-71065 | LW 5/16" SS | 2 |
| 23 | H-71067 | LW 3/8" SS | 2 |
| 24 | H-72388 | PPH #6-32 X 3/4" SS | 1 |
| 25 | H-72708 | FHP 1/4"- 20 X 3/4" | 1 |
| 26 | H-72710 | FHP 1/4"- 20 X 1" SS | 1 |
| 27 | H-73908 | FHSCS 5/16"- 18 X 1" SS | 5 |
| 28 | H-74418 | CB 1/4"- 20 X 5/8" S/S | 3 |
| 29 | H-74429 | CB 5/16"- 18 X 3/4" SS | 2 |
| 30 | H-74430 | CB 5/16"- 18 X 1" SS | 6 |
| 31 | H-9307K74 | GROMMET, 1" ID X 1-3/4" OD BUNA-N | 1 |
| 32 | H-FAN5 | LUG NUT 5/16"-18 SS | 8 |
| 33 | H-NJ05C | JNYL 5/16"- 18 SS | 2 |
| 34 | M-9434T27 | 3/4" DIA I HOLE TUBE STRAP | 1 |

12 Frame Assembly

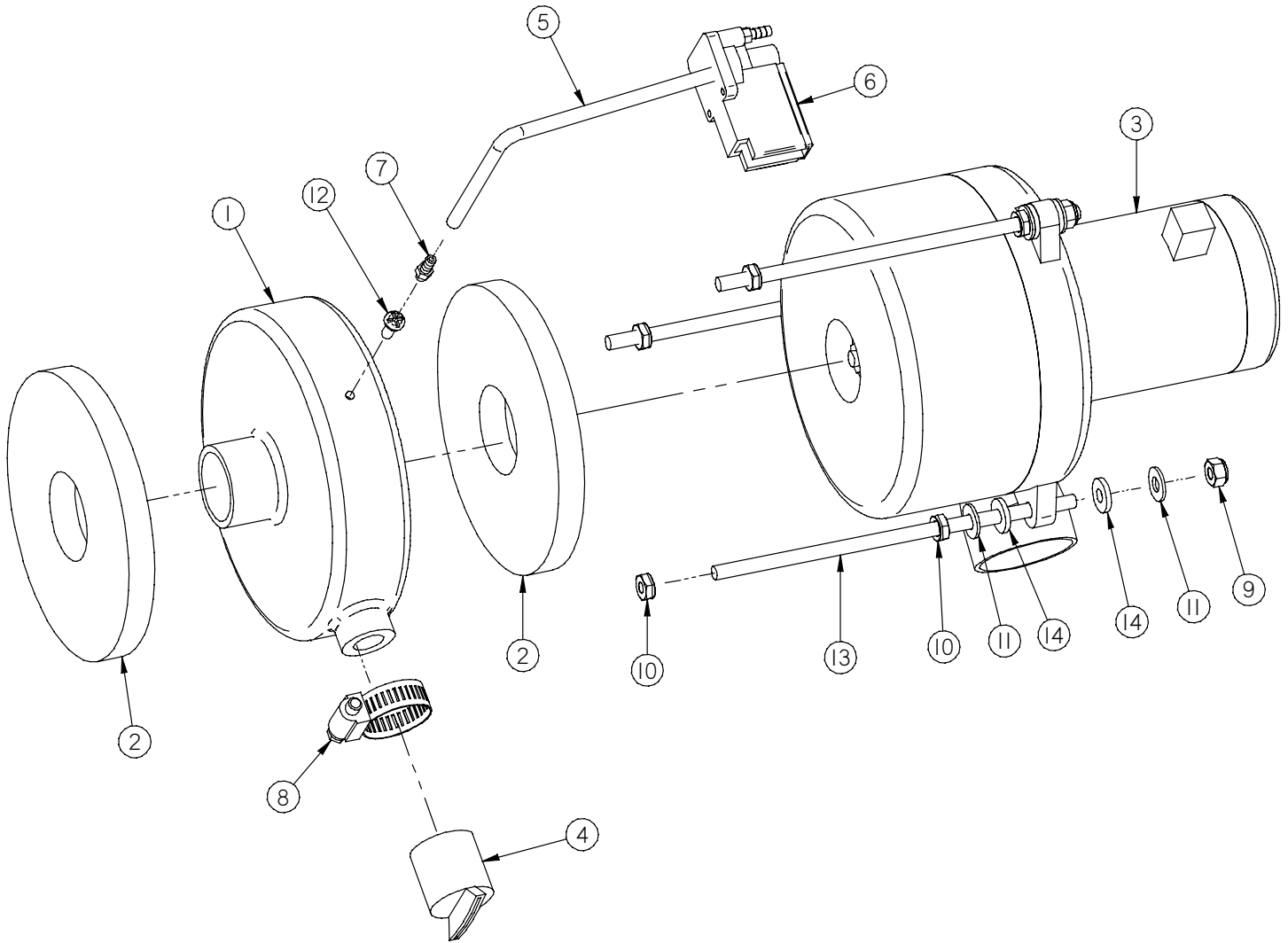
TIRE OPTIONS:

- P/N 32-3040, PNEUMATIC - GRAY
- P/N 32-3045, PNEUMATIC - BLACK
- P/N 32-3050, FOAM FILLED - GRAY
- P/N 32-3055, FOAM FILLED - BLACK
- P/N 253-6190, SOLID - BLACK



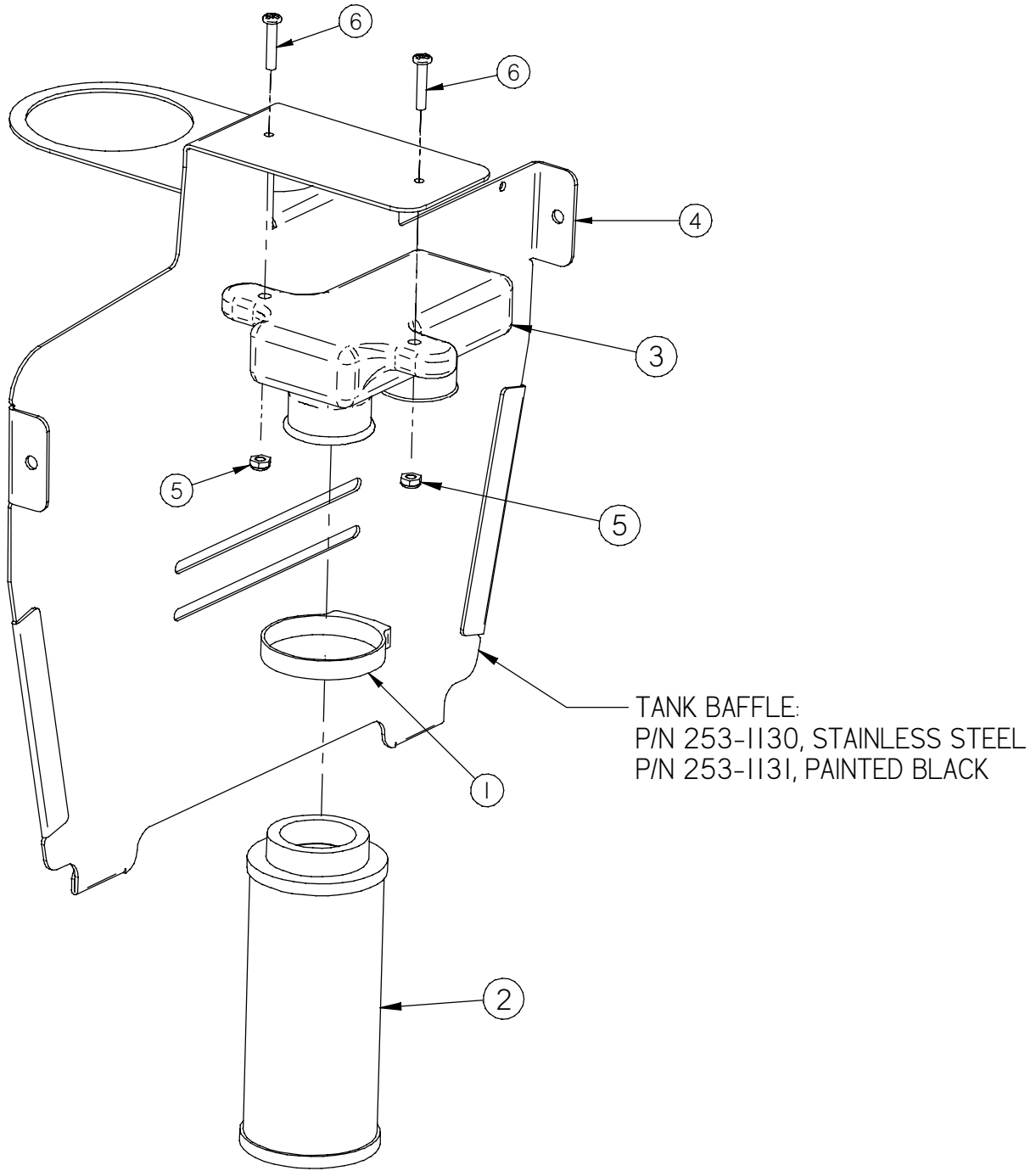
| Item | Part No. | Part Description | Qty. |
|------|-----------|-----------------------------------|------|
| 1 | 21-2211 | SPACER 1/2 OD X 1/4" | 4 |
| 2 | 253-1000 | MAINFRAME WELDMENT | 1 |
| 3 | 253-1060 | BOSS | 2 |
| 4 | 253-1470 | BATTERY TRAY BRACKET | 1 |
| 5 | 253-1618 | GROUNDING CHAIN, 12" | 1 |
| 6 | 253-3009 | TRANS AXLE | 1 |
| 7 | 253-4000 | PARKING BRAKE (OPTIONAL) | 1 |
| 8 | 32-0999 | AXLE MOUNT | 2 |
| 9 | 7-128B | CASTER SPACER | 2 |
| 10 | H-0127295 | RUBBER LOOP CLAMP, 3/4" | 2 |
| 11 | H-312HCN | HCN 5/16"-18 | 2 |
| 12 | H-3225T | RUBBER LOOP CLAMP, 1-1/2" | 2 |
| 13 | H-33733 | #6 STAR WASHER | 2 |
| 14 | H-70005 | HCS 1/4"- 20 X 1" SS | 4 |
| 15 | H-70053 | HCS 5/16"- 18 X 3/4" SS | 2 |
| 16 | H-70105 | HCS 3/8"- 16 X 1" SS | 2 |
| 17 | H-70855 | NYLOK #6-32 SS | 1 |
| 18 | H-70860 | NYLOK 1/4"- 20 SS | 9 |
| 19 | H-70861 | NYLOK 5/16" - 18 SS | 11 |
| 20 | H-71015 | FW 5/16 ID X 3/4 OD SS | 2 |
| 21 | H-71017 | FW 3/8 ID X 7/8 OD SS | 2 |
| 22 | H-71065 | LW 5/16" SS | 2 |
| 23 | H-71067 | LW 3/8" SS | 2 |
| 24 | H-72388 | PPH #6-32 X 3/4" SS | 1 |
| 25 | H-72708 | FHP 1/4"- 20 X 3/4" | 1 |
| 26 | H-72710 | FHP 1/4"- 20 X 1" SS | 1 |
| 27 | H-73908 | FHSCS 5/16"- 18 X 1" SS | 5 |
| 28 | H-74418 | CB 1/4"- 20 X 5/8" S/S | 3 |
| 29 | H-74429 | CB 5/16"- 18 X 3/4" SS | 2 |
| 30 | H-74430 | CB 5/16"- 18 X 1" SS | 6 |
| 31 | H-9307K74 | GROMMET, 1" ID X 1-3/4" OD BUNA-N | 1 |
| 32 | H-FAN5 | LUG NUT 5/16"-18 SS | 8 |
| 33 | H-NJ05C | JNYL 5/16"- 18 SS | 2 |
| 34 | M-9434T27 | 3/4" DIA 1 HOLE TUBE STRAP | 1 |

14 Vac Motor Assembly



| Item | Part Number | Part Description | Qty |
|------|-------------|--------------------------------------|-----|
| 1 | 190-1450 | VAC BOX | 1 |
| 2 | 190-3002 | VAC MOTOR GASKET | 2 |
| 3 | 190-5250 | VAC MOTOR, 3/4 HP, TANGENTIAL | 1 |
| 4 | 253-1505 | LOADER VALVE | 1 |
| 5 | 253-8006 | CLEAR TUBE, 1/8" ID X 1/4" OD X ? LG | 1 |
| 6 | 390-2328 | SWITCH, VACUUM SHUTOFF | 1 |
| 7 | 390-2328A | VACUUM SWITCH BARB | 1 |
| 8 | H-62005 | CLAMP 5/8"- 1-1/2" SS | 1 |
| 9 | H-70860 | NYLOK 1/4"- 20 SS | 3 |
| 10 | H-70925 | KN 1/4-20 S/S | 6 |
| 11 | H-71013 | FNW 1/4" X 5/8" SS | 6 |
| 12 | H-72515 | PPH #10-32 X 1/2" S/S | 1 |
| 13 | H-WI579194 | 1/4-20 X 7" FT STUD S/S | 3 |
| 14 | M-90130A029 | .25" NEOPRENE WASHER | 6 |

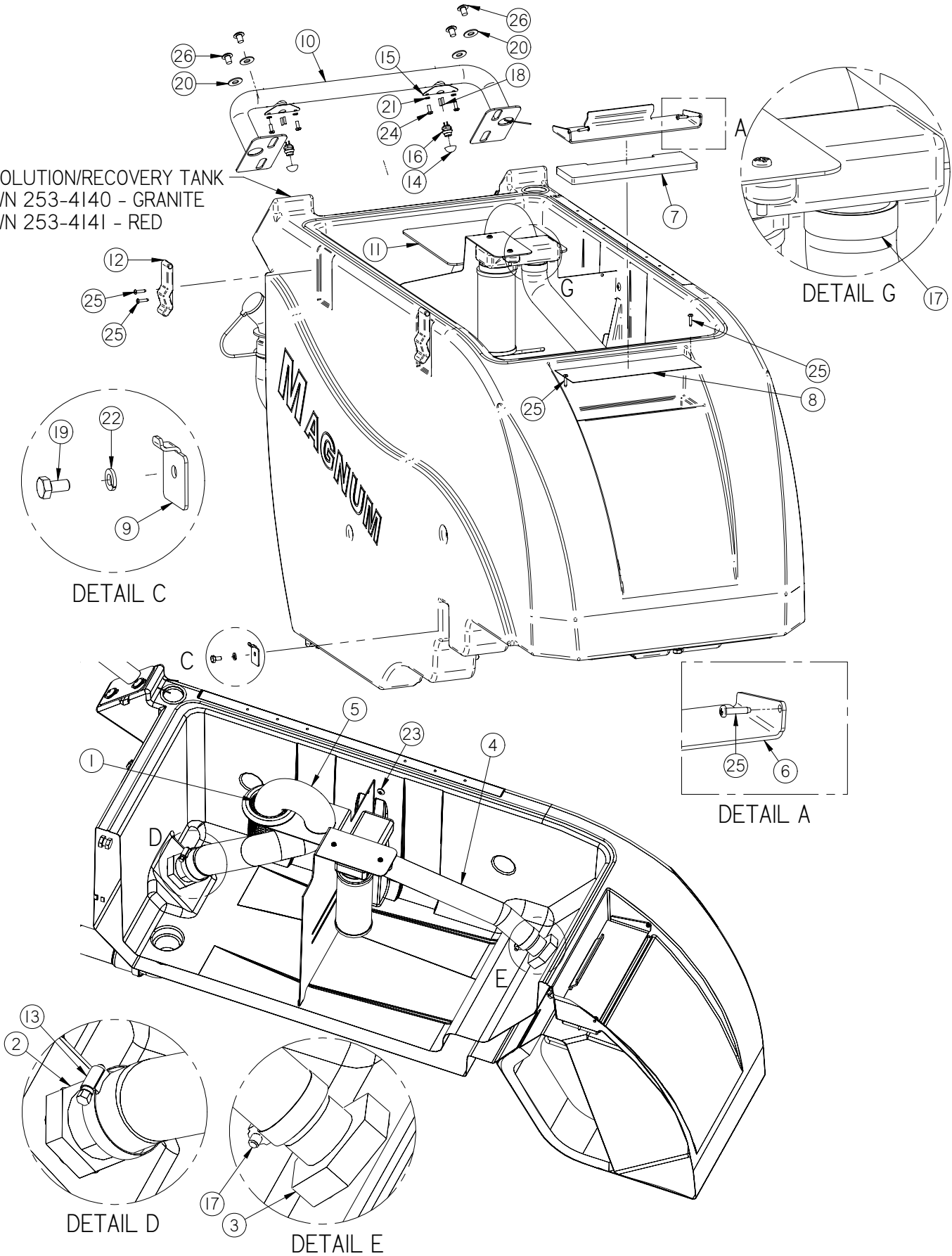
NOTE: ITEMS 5, 6, 7 ARE OPTION #253-28 VACUUM ELECTRIC SHUT-OFF.



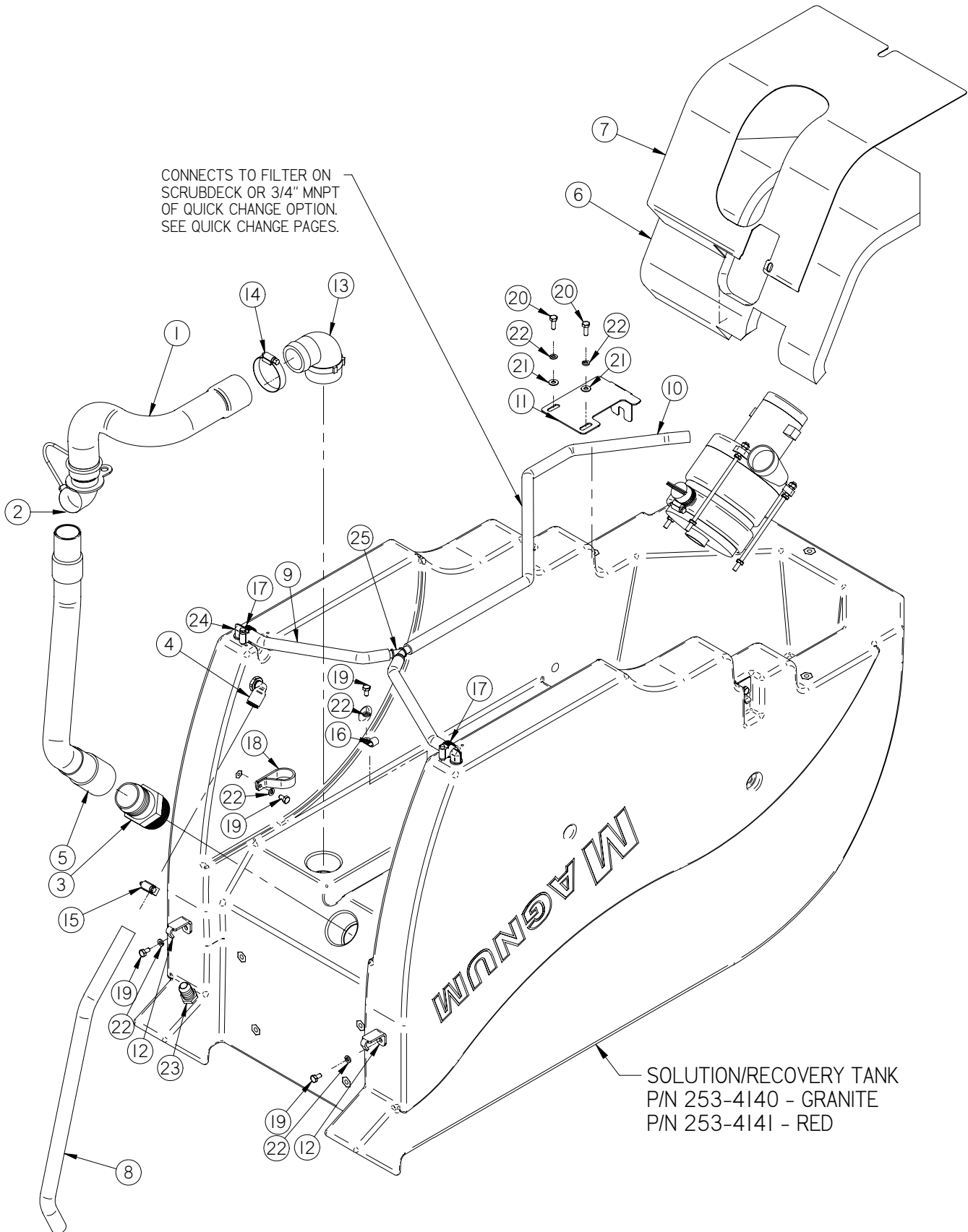
| Item | Part Number | Part Description | Qty |
|------|-------------|---------------------|-----|
| 1 | 21-4028 | SNAP GRIP CLAMP | 1 |
| 2 | 21-4085 | VAC SCREEN | 1 |
| 3 | 21-7060 | VAC BOX | 1 |
| 4 | 253-1131 | BAFFLE, PAINTED | 1 |
| 5 | H-70858 | NYLOK #10-32 SS | 2 |
| 6 | H-72536 | PPH #10-32 X 1" S/S | 2 |

16 Tank Assembly

SOLUTION/RECOVERY TANK
 P/N 253-4140 - GRANITE
 P/N 253-4141 - RED

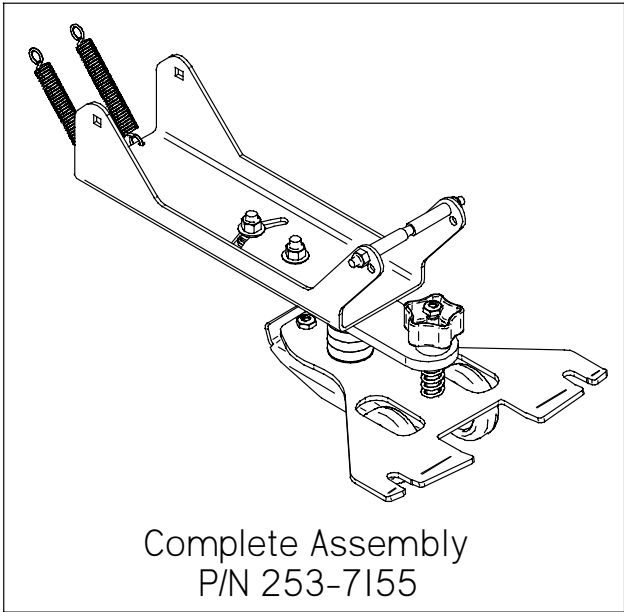
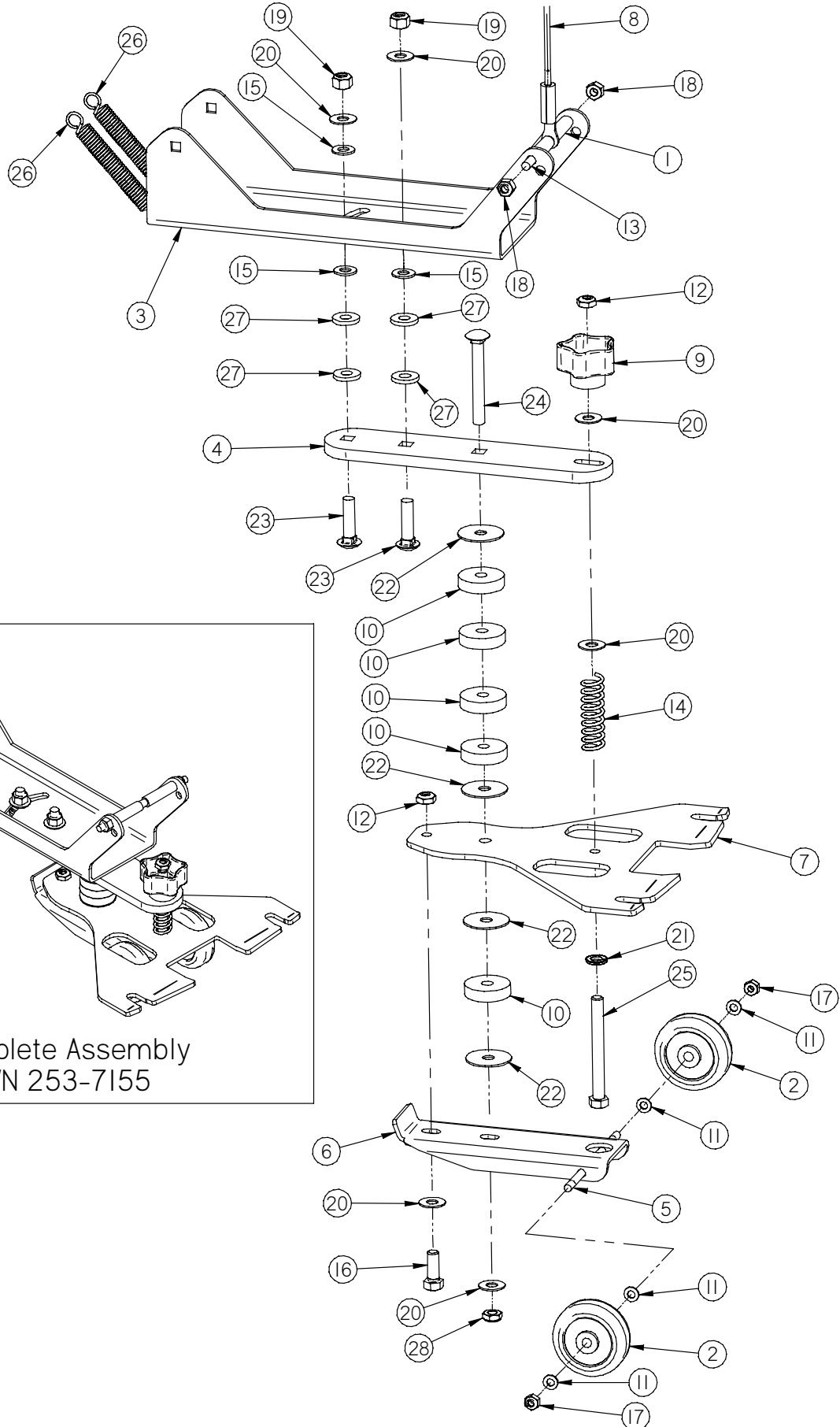


| Item | Part Number | Part Description | Qty |
|------|-------------|---|-----|
| 1 | 170-8911 | SCREEN STRAINER, 4-1/4" LG | 1 |
| 2 | 190-1210 | 2.0" MNPT X 2.0" BARB, PVC | 1 |
| 3 | 190-1215 | 2.0" MNPT X 1.50" BARB, PVC | 1 |
| 4 | 253-0120 | 1-1/2" ID X 19" LG WIRE REINF. BLACK HOSE, NO CUFFS | 1 |
| 5 | 253-0121 | 2.0" ID x 27.0" LG MW255 GRAY MG HOSE, NO CUFFS | 1 |
| 6 | 253-1180 | SOLUTION FILL LID | 1 |
| 7 | 253-1190 | SOLUTION FILL LID GASKET | 1 |
| 8 | 253-1220 | SCREEN | 1 |
| 9 | 253-1240 | CLIP | 2 |
| 10 | 253-1280 | HANDLEBAR | 1 |
| 11 | 370-1129 | TANK BACK SPLASH | 1 |
| 12 | 4-124 | LATCH | 2 |
| 13 | 5-719 | CLAMP 1 9/16 - 2 1/2 " SS | 1 |
| 14 | 7-227 | BUTTON COVER | 1 |
| 15 | 7-228 | SWITCH MOUNT PLATE | 1 |
| 16 | 7-229 | PUSH BUTTON SWITCH | 1 |
| 17 | H-0427612 | CLAMP 3/4"- 1-3/4" SS | 2 |
| 18 | H-108 | HEAT SHRINK | 1 |
| 19 | H-70001 | HCS 1/4"-20 X 1/2 SS" | 2 |
| 20 | H-71017 | FW 3/8 ID X 7/8 OD SS | 2 |
| 21 | H-71059 | LW #10, SS | 1 |
| 22 | H-71063 | LW 1/4" SS | 1 |
| 23 | H-71894 | #14 X 1" SELF TAPPING SCREW | 2 |
| 24 | H-72515 | PPH #10-32 X 1/2" S/S | 1 |
| 25 | H-72536 | PPH SMS #8 X 3/4" SS | 5 |
| 26 | H-73811 | BHSCS 3/8"- 16 X 1/2" SS | 2 |

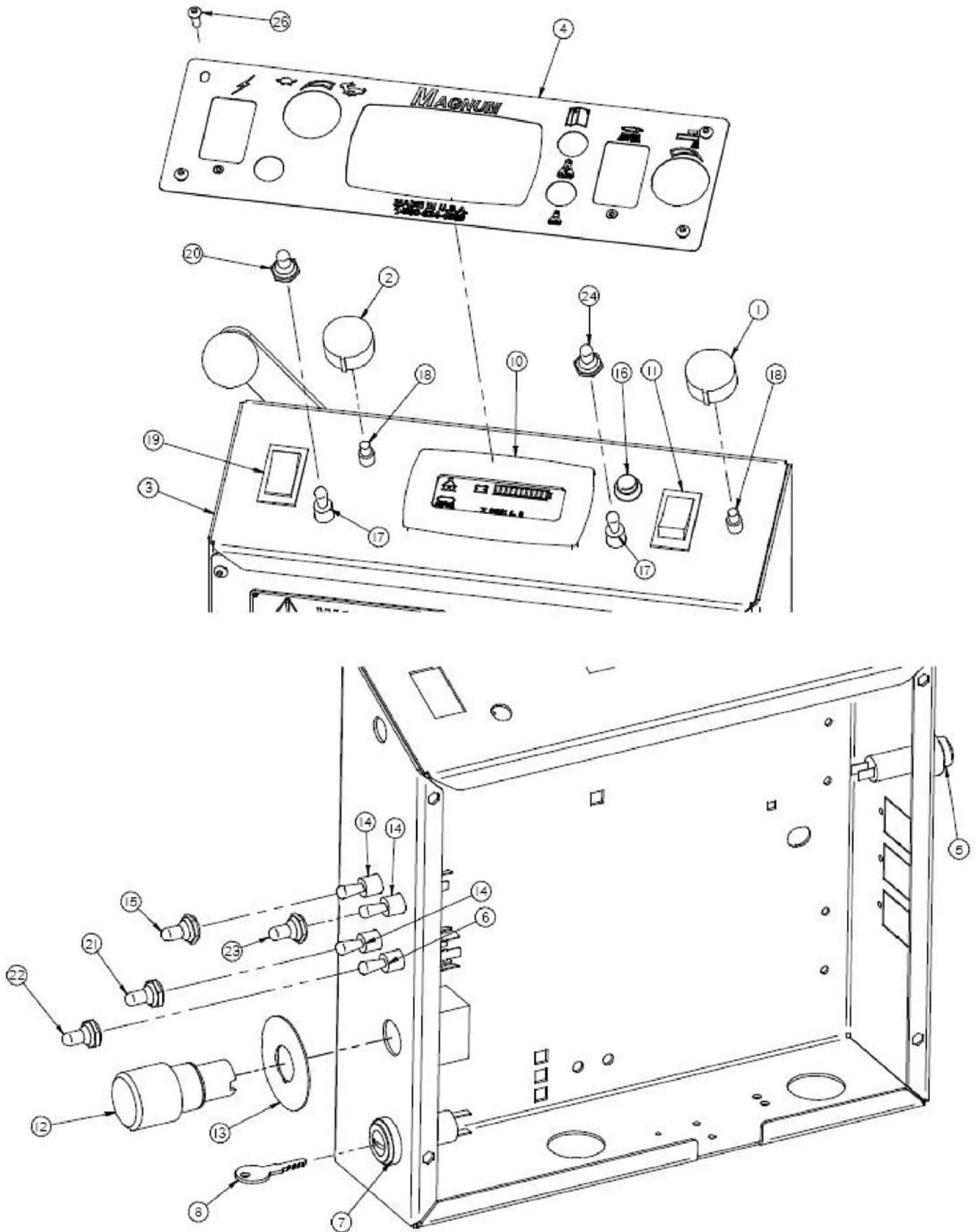


| Item | Part Number | Part Description | Qty |
|------|-------------|---|-----|
| 1 | 170-7210 | DRAIN HOSE | 1 |
| 2 | 170-7211 | HOSE CAP | 1 |
| 3 | 190-1210 | 2.0" MNPT X 2.0" BARB, PVC | 1 |
| 4 | 190-5779 | ELBOW, MALE 1/2" NPT X 1/2" TUBE OD, GLASS FILLED NYLON | 1 |
| 5 | 253-0111 | HOSE, 1.50" ID X 38.50" LG. | 1 |
| 6 | 253-1137 | VAC MOTOR INSULATION | 1 |
| 7 | 253-1139 | INSULATION SUPPORT | 1 |
| 8 | 253-1370 | CLEAR HOSE, 3/4" ID X 1.0" OD X 26" LG | 1 |
| 9 | 253-1604 | 1/2" ID X 11-1/2" LG WIRE REINF. CLEAR TUBE | 2 |
| 10 | 253-1605 | 1/2" ID X 36-1/2" LG WIRE REINF. CLEAR TUBE | 1 |
| 11 | 253-4100 | WIRE PLATE | 1 |
| 12 | 253-9491 | HOOK | 2 |
| 13 | 290-7040 | 2" NPT X 2" BARB ELBOW, BLACK | 1 |
| 14 | 5-719 | CLAMP 1 9/16 - 2 1/2 " SS | 1 |
| 15 | 5-848 | CLAMP 9/16"- 1 1/16" SS | 1 |
| 16 | H-0127288 | #6 3/8" RUBBER LOOP CLAMP | 1 |
| 17 | H-081 | CLAMP 7/16"- 25/32" SS | 2 |
| 18 | H-3225T | RUBBER LOOP CLAMP, 1-1/2" | 1 |
| 19 | H-70001 | HCS 1/4"-20 X 1/2 SS" | 4 |
| 20 | H-70003 | HCS 1/4"- 20 X 3/4" SS | 2 |
| 21 | H-71013 | FW 1/4" X 5/8" SS | 2 |
| 22 | H-71063 | LW 1/4" SS | 6 |
| 23 | M-5346K68 | 1/2" MNPT X 3/4" BARB, BRASS | 1 |
| 24 | M-53525K58 | ELBOW, 1/2" MNPT X 1/2" BARB, BRASS | 1 |
| 25 | M-5463K727 | WYE, 1/2", NYLON | 1 |

| Item | Part Number | Part Description | Qty |
|------|-------------|--|-----|
| 1 | 190-1075 | TANK CLEAR COVER GASKET | 1 |
| 2 | 190-1410 | VAC FORMED CLEAR COVER | 1 |
| 3 | 253-1070 | RECOVERY TANK LID GASKET | 1 |
| 4 | 253-1450 | RECOVERY TANK CABLE, 20" | 1 |
| 5 | 32-8000 | 8" CONTINUOUS HINGE | 2 |
| 6 | 370-4060 | 6" LANYARD | 2 |
| 7 | H-0172526 | CB 5/16"- 18 X 5/8" SS | 1 |
| 8 | H-37709 | 5/16-18 ACORN NUT | 4 |
| 9 | H-70711 | HN 5/16"- 18 SS | 1 |
| 10 | H-70858 | NYLOK #10-32 SS | 4 |
| 11 | H-70861 | NYLOK 5/16" - 18 SS | 1 |
| 12 | H-71017 | FW 3/8" X 7/8" SS | 3 |
| 13 | H-71065 | LW 5/16" SS | 1 |
| 14 | H-71894 | #14 X 1" SELF TAPPING SCREW | 6 |
| 15 | H-72515 | PPH #10-32 X 1/2" S/S | 4 |
| 16 | H-73777 | BHSCS 5/16-18 X 1/2" | 4 |
| 17 | H-74430 | CB 5/16"- 18 X 1" SS | 1 |
| 18 | H-90133 | .170 ID X .50 OD X .093 TH NEOPRENE WASHER | 2 |
| 19 | H-NJ05C | JNYL 5/16"- 18 SS | 1 |

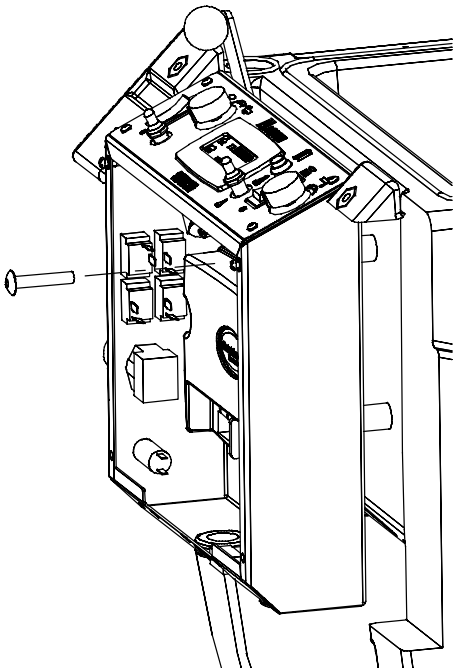
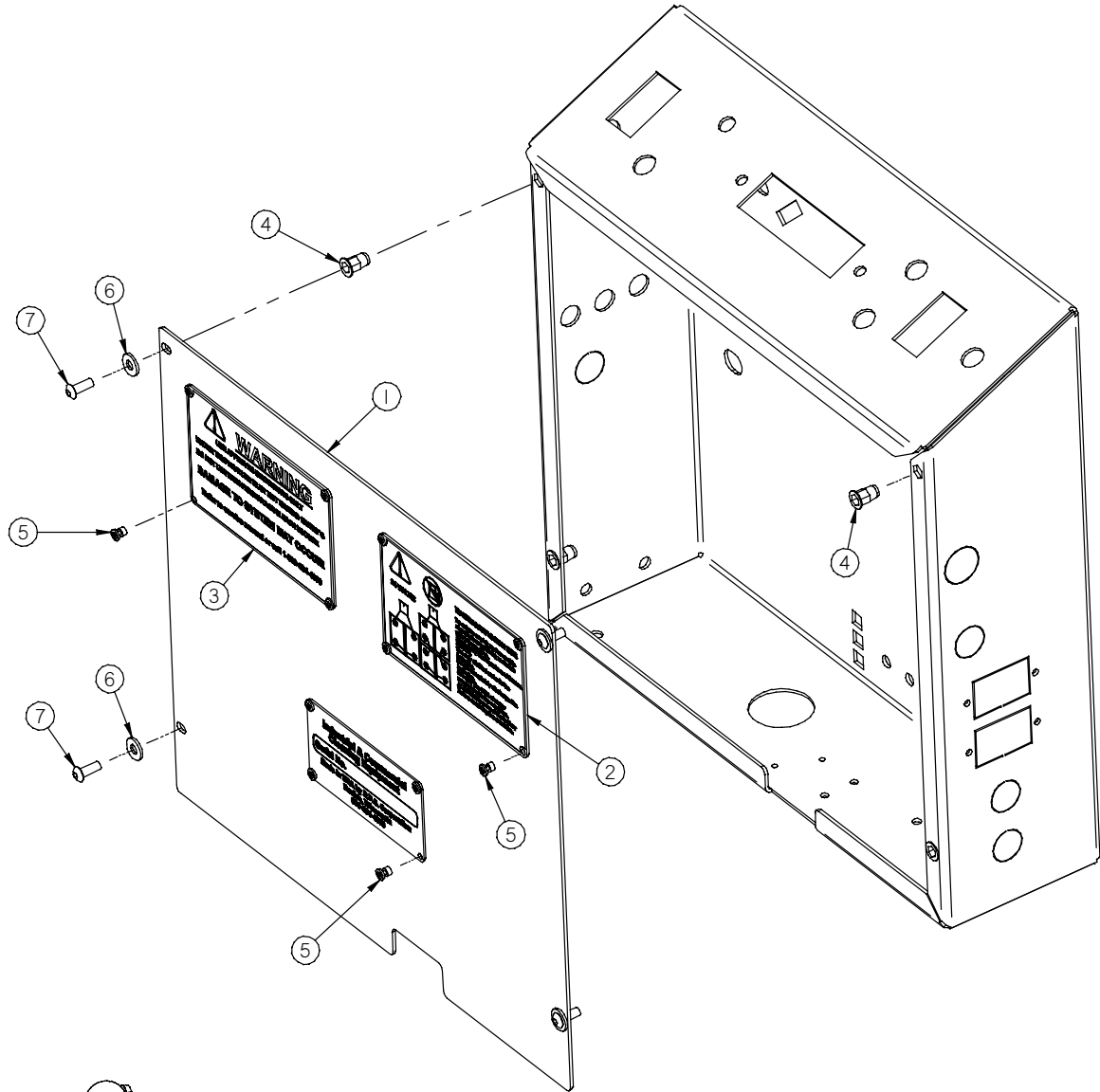


| Item | Part Number | Part Description | Qty |
|------|-------------|---------------------------------------|-----|
| 1 | 190-1055 | TUBE, 5/16" ID X 7/16" OD X 1-5/8" LG | 2 |
| 2 | 21-7570 | BACK UP WHEEL (GREY) | 2 |
| 3 | 253-7140 | SQUEEGEE SWING PLATE | 1 |
| 4 | 253-7150 | SQUEEGEE TRAIL ARM | 1 |
| 5 | 253-7160 | SQUEEGEE WHEEL AXLE | 1 |
| 6 | 253-7220 | SQUEEGEE TRAIL MOUNT | 1 |
| 7 | 253-7610 | SQUEEGEE TRIANGLE PLATE | 1 |
| 8 | 253-7890 | SQUEEGEE LIFT CABLE, 27-5/8" | 1 |
| 9 | 290-5787 | STAR KNOB, 3/8-24 THREAD | 1 |
| 10 | 4-446 | GROMMET-3/8 ID X 1-1/2 OD X .375 | 5 |
| 11 | H-00283 | FW 1/4" NYLON | 4 |
| 12 | H-0171004 | JNYL 3/8- 24 SS | 2 |
| 13 | H-10097811 | 5/16-18 X 5" DOUBLE ENDED STUD S/S | 1 |
| 14 | H-111 | SPRING, 1/2" ID X 2-1/2" LG | 1 |
| 15 | H-4440024 | FW 3/8" X 3/4" NYLON | 3 |
| 16 | H-70142 | HCS 3/8"- 24 X 1" S/S | 1 |
| 17 | H-70860 | NYLOK 1/4"- 20 SS | 2 |
| 18 | H-70861 | NYLOK 5/16" - 18 SS | 2 |
| 19 | H-70862 | NYLOK 3/8"-16 SS | 2 |
| 20 | H-71017 | FW 3/8" X 7/8" SS | 6 |
| 21 | H-71067 | LW 3/8" SS | 1 |
| 22 | H-71217 | FNW 3/8" X 1-1/2" SS | 4 |
| 23 | H-74438 | CB 3/8"- 16 X 1-1/2" SS | 2 |
| 24 | H-74441 | CB 3/8"- 16 X 3.0" SS | 1 |
| 25 | H-92865A227 | HCS 3/8"- 24 X 3.5" SS | 1 |
| 26 | H-96544 | SPRING, 4-1/8" LG, 9/16 OD, (42E) | 2 |
| 27 | H-98025 | FW 3/8" GRADE 8 | 4 |
| 28 | H-NJ06C | JNYL 3/8- 16 SS | 1 |

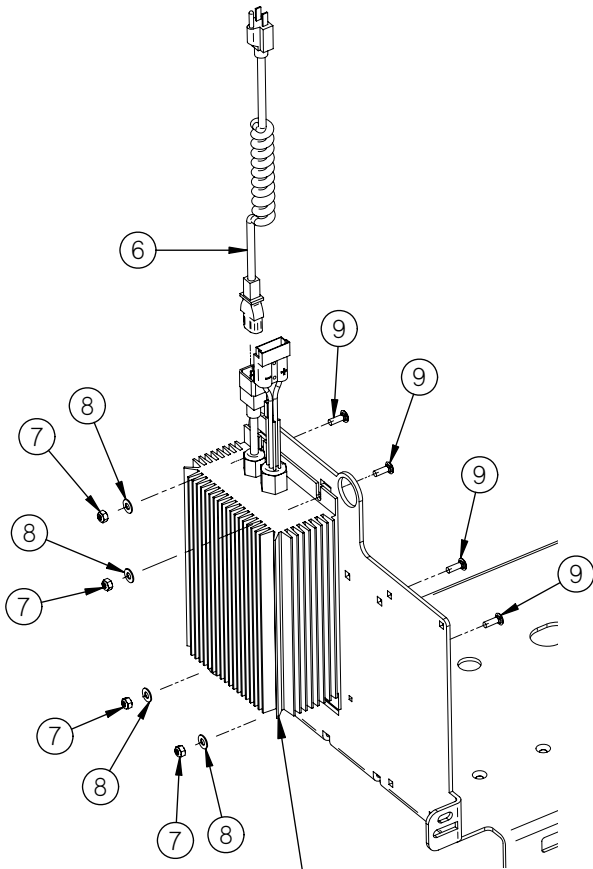


| Item | Part Number | Part Description | Qty | Options |
|------|-------------|--|-----|----------|
| 1 | 21-4510 | SOLUTION CONTROL KNOB, BLUE | 1 | |
| 2 | 21-4520 | SPEED CONTROL KNOB, RED | 1 | |
| 3 | 253-2010 | CONTROL PANEL BOX | 1 | |
| 4 | 253-2013 | CONTROL PANEL TOP PLATE | 1 | |
| 5 | 253-2300 | CHARGER STATUS INDICATOR | 1 | |
| 6 | 253-283 | SWITCH, TOGGLE, ON/OFF/ON (DPDT) | 1 | |
| 7 | 290-234 | KEY SWITCH | 1 | OPTIONAL |
| 8 | 290-234A | KEY SET (REPLACE) | 1 | OPTIONAL |
| 9 | 290-2815 | CIR. BREAKER - 15A, 24V | 1 | |
| 10 | 290-2891 | LCD SCREEN | 1 | |
| 11 | 5-234 | SWITCH, ROCKER, DPDT, ON/ON | 1 | |
| 12 | 5-300 | EMERGENCY SHUT OFF | 1 | OPTIONAL |
| 13 | 5-301 | EMERGENCY LEGEND PLATE | 1 | OPTIONAL |
| 14 | 5-892 | TOGGLE, ON-OFF SPST | 3 | OPTIONAL |
| 15 | 5-892A | PROTECTIVE BOOT, TOGGLE SWITCH, (GRAY) | 1 | OPTIONAL |
| 16 | 7-229 | PUSH BUTTON SWITCH | 1 | |
| 17 | 7-283 | SWITCH, TOGGLE, MOM/OFF/MOM (DPDT) | 2 | |
| 18 | 7-292 | 5K POTENTIOMETER | 2 | |
| 19 | 8-231 | SWITCH, ON-OFF ROCKER SPST | 1 | |
| 20 | H-01196 | PROTECTIVE BOOT, TOGGLE SWITCH, (RED) | 1 | |
| 21 | H-01197 | PROTECTIVE BOOT, TOGGLE SWITCH, (YELLOW) | 1 | OPTIONAL |
| 22 | H-01198 | PROTECTIVE BOOT, TOGGLE SWITCH, (GREEN) | 1 | |
| 23 | H-01199 | PROTECTIVE BOOT, TOGGLE SWITCH, (BLUE) | 1 | OPTIONAL |
| 24 | H-01200 | PROTECTIVE BOOT, TOGGLE SWITCH, (BLACK) | 1 | |
| 25 | H-1032HCN | HCN #10-32 | 2 | |
| 26 | H-73743 | BHSCS 10-32 X 1/2" SS | 1 | |

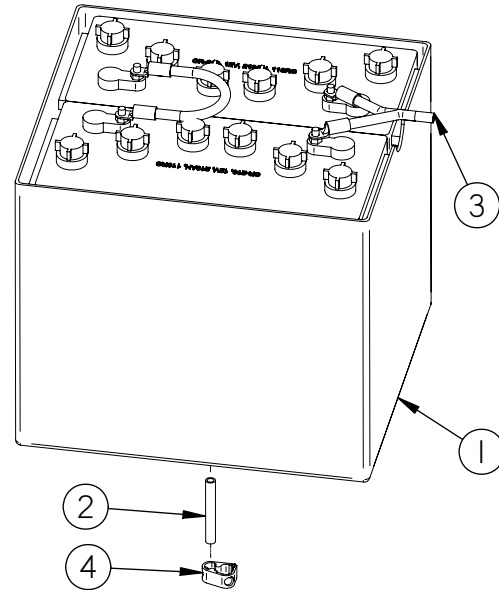
| Item | Part Number | Part Description | Qty | Options |
|------|-------------|---|-----|----------|
| 1 | 170-2700 | SPACER, 1-1/2" LG | 1 | |
| 2 | 21-2211 | SPACER 1/2 OD X 1/4" | 7 | |
| 3 | 21-2230 | MICRO SWITCH | 1 | OPTIONAL |
| 4 | 21-7101 | LIFT KNOB | 1 | |
| 5 | 253-2010 | CONTROL PANEL BOX | 1 | |
| 6 | 253-2020 | BRACKET, LIMIT SWITCH | 1 | |
| 7 | 253-7100 | SQUEEGEE LIFT LEVER | 1 | |
| 8 | 290-2020 | BRACKET | 1 | |
| 9 | 290-2815 | CIR. BREAKER - 15A, 24V | 1 | |
| 10 | 390-2899 | CONTROLLER V4 | 1 | |
| 11 | 4-257 | CONNECTOR, RED 50, WITH CONTACTS | 1 | |
| 12 | 5-223 | LIMIT SWITCH | 1 | |
| 13 | 5-293 | 15 AMP RELAY | 1 | |
| 14 | H-0172518 | CB #10-32 X 1/2" SS | 1 | |
| 15 | H-28667 | PHP MS 4-40 X 3/4" | 2 | |
| 16 | H-29049 | PPH #10-32 X 1/2" | 2 | |
| 17 | H-37006 | NYLOK #4-40 | 2 | |
| 18 | H-37018 | NYLOK 1/4"-20 | 1 | |
| 19 | H-37408 | KN #10-32 | 1 | |
| 20 | H-42003 | U-BOLT, 1/4-20 X 3/4" ID X 2-1/4" LG, S/S | 1 | |
| 21 | H-70710 | HN 1/4"- 20 SS | 2 | |
| 22 | H-70711 | HN 5/16"- 18 SS | 1 | |
| 23 | H-70854 | NYLOK #4-40 SS | 2 | |
| 24 | H-70855 | NYLOK #6-32 SS | 2 | |
| 25 | H-70858 | NYLOK #10-32 SS | 2 | |
| 26 | H-70922 | KN #8-32 | 1 | |
| 27 | H-70923 | KN #10-32 SS | 2 | |
| 28 | H-71004 | FW 1/8" X 5/16" SS | 2 | |
| 29 | H-71017 | FW 3/8 ID X 7/8 OD SS | 6 | |
| 30 | H-71021 | FW 1/2 ID X 1-1/4 OD SS | 2 | |
| 31 | H-72388 | PPH #6-32 X 3/4" SS | 2 | |
| 32 | H-72398 | PPH #8-32 X 1/2" S/S | 1 | |
| 33 | H-72494 | PPH #4-40 X 1" S/S | 2 | |
| 34 | H-72515 | PPH #10-32 X 1/2" S/S | 4 | |
| 35 | H-73819 | BHSCS 3/8"- 16 X 2" S/S | 4 | |
| 36 | H-74417 | CB 1/4"- 20 X .5" SS | 1 | |
| 37 | H-74444 | CB 3/8"- 16 X 3/4" SS | 2 | |
| 38 | H-76065 | FW 1/2" NYLON | 2 | |
| 39 | H-85985 | HOLE PLUG 1/2" | 3 | OPTIONAL |
| 40 | H-9307K74 | GROMMET, 1" ID X 1-3/4" OD BUNA-N | 2 | |
| 41 | H-NJ04C | JNYL 1/4" - 20 SS | 2 | |
| 42 | H-NJ06C | JNYL 3/8- 16 SS | 2 | |



| Item | Part Number | Part Description | Qty | Options |
|------|-------------|-------------------------|-----|---------|
| 1 | 253-2006 | CONTROL PANEL COVER | 1 | |
| 2 | 253-7280 | EXPLOSION WARNING PLATE | 1 | |
| 3 | 5-728 | DETERGENT WARNING PLATE | 1 | |
| 4 | H-1032HCN | HCN #10-32 | 4 | |
| 5 | H-41007 | AB4-3A BLIND RIVET | 12 | |
| 6 | H-71009 | FW #10 SS | 4 | |
| 7 | H-73743 | BHSCS 10-32 X 1/2" SS | 4 | |



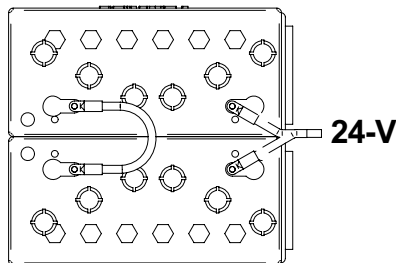
On-Board Charger
(See list below)



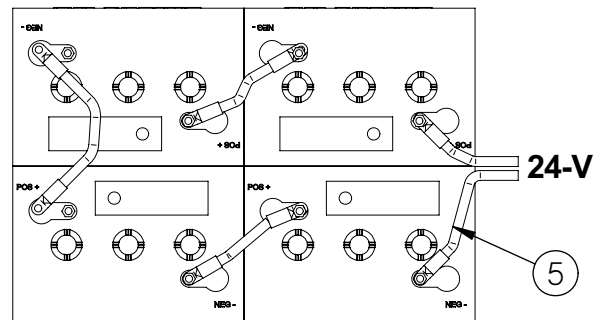
| Item | Part Number | Part Description | Qty |
|------|-------------|------------------------------------|-----|
| 1 | 21-0000 | 2000 SERIES BATTERY TRAY | 1 |
| 2 | 253-1608 | BLACK HOSE, 3-1/4" LG | 1 |
| 3 | 253-1900 | WIRE HARNESS, COMPLETE | 1 |
| 4 | M-503IK12 | CLAMP STYLE PINCH VALVE | 1 |
| 5 | 253-1901 | WIRE HARNESS, COMPLETE | 1 |
| 6 | 253-3444 | EXTENDED COIL, 16A WG, 3 CONDUCTOR | 1 |
| 7 | H-70860 | NYLOK 1/4"- 20 SS | 4 |
| 8 | H-71013 | FW 1/4 ID X 5/8 OD SS | 4 |
| 9 | H-74419 | CB 1/4"- 20 X .75" SS | 4 |

| WHICH BATTERY CHARGER TO USE WITH BATTERY SELECTION | | | | |
|---|----------------------------------|--------------------------|---------------------------------|-------------------------|
| Battery Part Number & Description | Off-Board Charger North American | Off-Board Charger Export | On-Board Charger North American | On-Board Charger Export |
| 2-271 (12V, 210 AH) | 21-2440 | 21-2442 | 253-2445 | 253-2442 |
| 250-2113 (6V, 240 AH) | 21-2440 | 21-2442 | 253-2445 | 253-2442 |
| 370-2117 (6V, 305 AH) | 7-244 | 7-251 | N/A | N/A |
| 250-2114 (6V, 260 AH, M.F.) | 21-2450 | 21-2451 | 253-2452 | 253-2453 |
| 250-2112 (6V, 325 AH, M.F.) | 21-2450 | 21-2451 | 253-2452 | 253-2453 |
| 253-2110 (12V, 175 AH) | 21-2440 | 21-2442 | 253-2445 | 253-2442 |

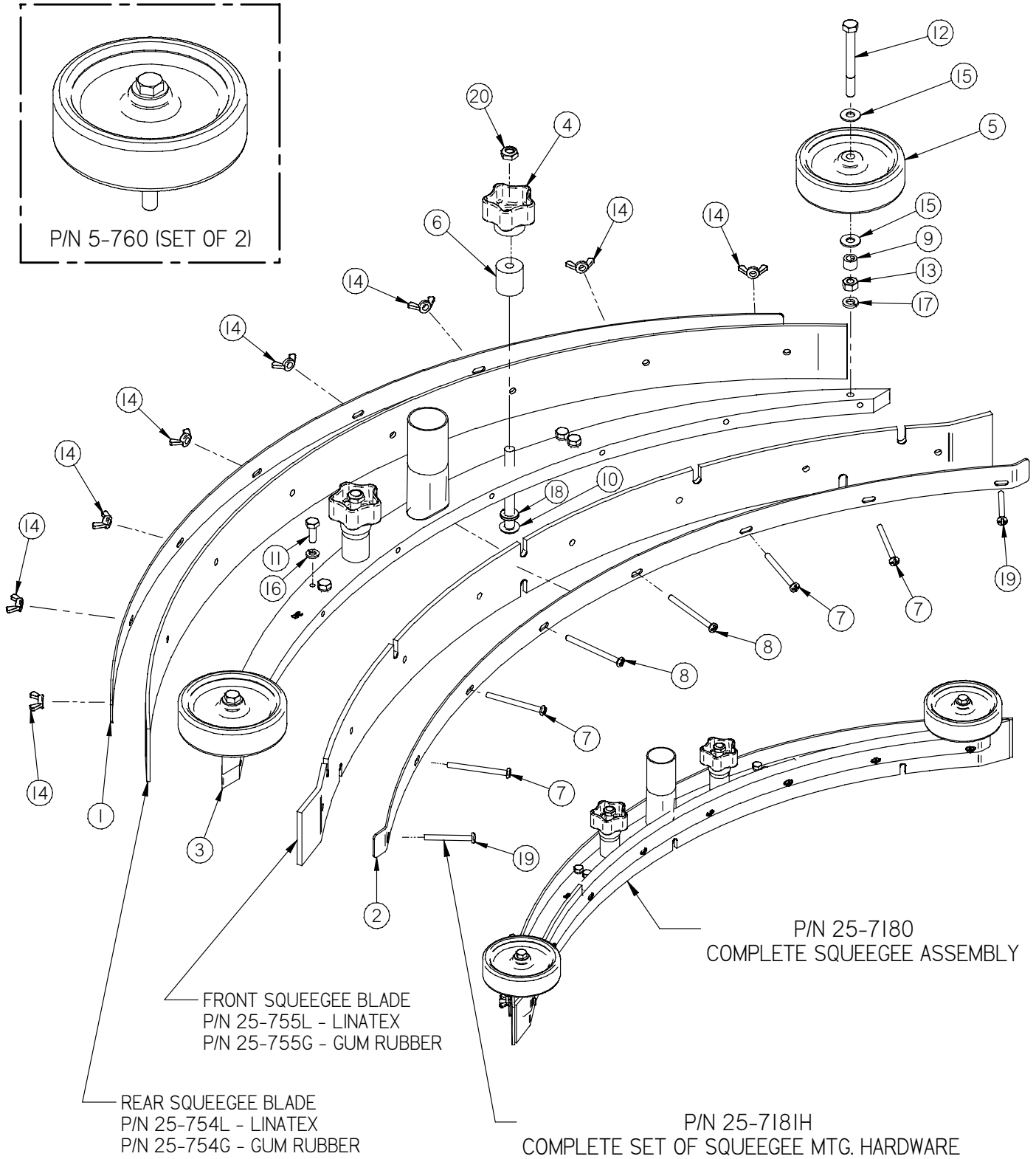
Note: Japan & Korea are not included for list above.



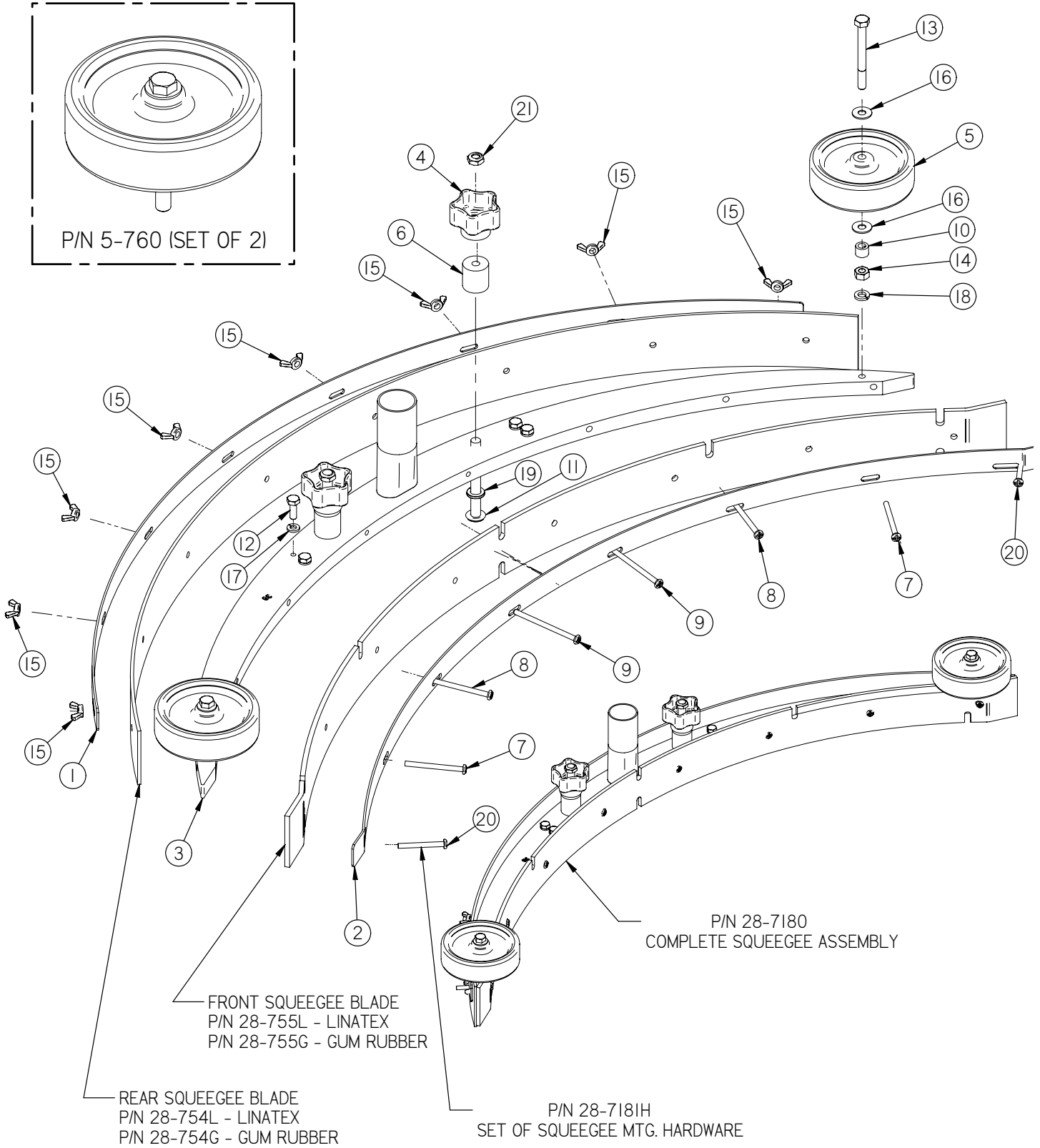
(2) 12-V BATTERY WIRING DIAGRAM



(4) 6-V BATTERY WIRING DIAGRAM



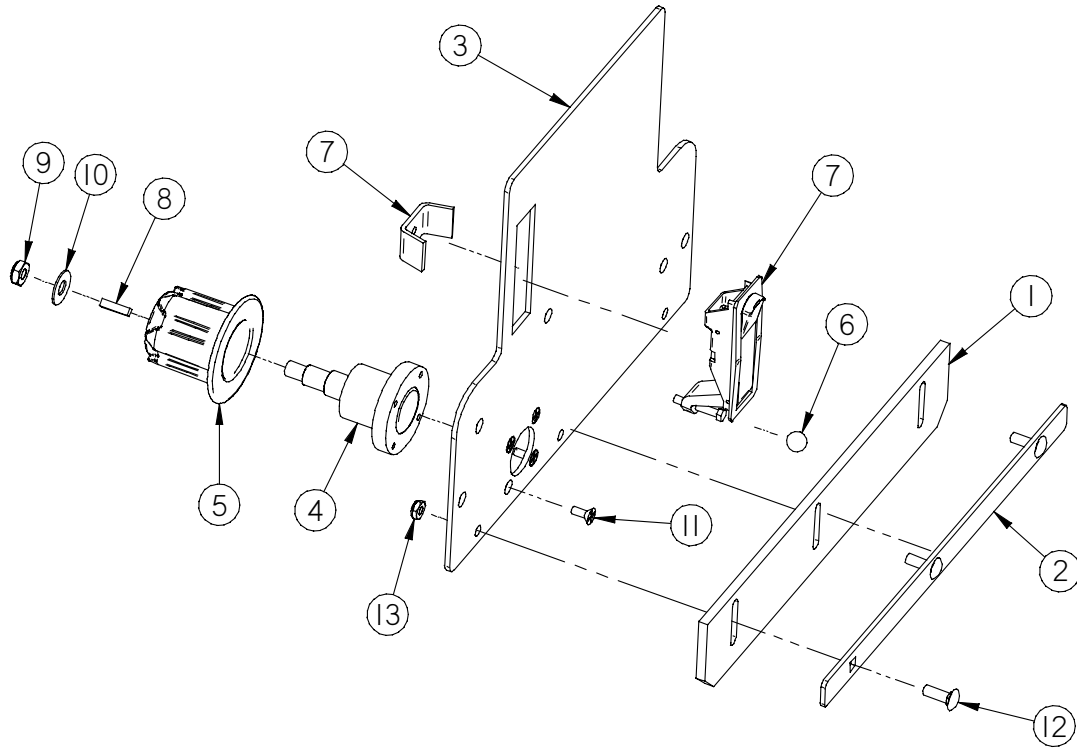
| Item | Part No. | Part Description | Qty |
|------|----------|-----------------------------|-----|
| 1 | 25-7160 | SQUEEGEE BAND, REAR | 1 |
| 2 | 25-7170 | SQUEEGEE BAND, FRONT | 1 |
| 3 | 25-7181 | 35" SQUEEGEE BODY | 1 |
| 4 | 290-5786 | STAR KNOB, 3/8-16 THREAD | 2 |
| 5 | 5-760B | 4" SIDE WHEEL (GREY) | 2 |
| 6 | 5-846 | STANDOFF, 1.03" | 2 |
| 7 | H-00249 | PPH #10-32 X 2 1/4" SS | 4 |
| 8 | H-00288 | PPH #10-32 X 2 1/2" SS | 2 |
| 9 | H-33371 | 5/16" ID SHAFT COLLAR | 2 |
| 10 | H-37350 | BHSCS 3/8"- 16 X 3-1/2" S/S | 2 |
| 11 | H-70003 | HCS 1/4"- 20 X 3/4" SS | 4 |
| 12 | H-70065 | HCS 5/16"- 18 X 3" SS | 2 |
| 13 | H-70711 | HN 5/16"- 18 SS | 2 |
| 14 | H-70908 | WINGNUT 10-32 SS | 8 |
| 15 | H-71015 | FW 5/16" X 3/4" SAE SS | 4 |
| 16 | H-71063 | LW 1/4" SS | 4 |
| 17 | H-71065 | LW 5/16" SS | 2 |
| 18 | H-71067 | LW 3/8" SS | 2 |
| 19 | H-72555 | PPH #10-32 X 1 3/4" SS | 2 |
| 20 | H-NJ06C | JNYL 3/8- 16 SS | 2 |



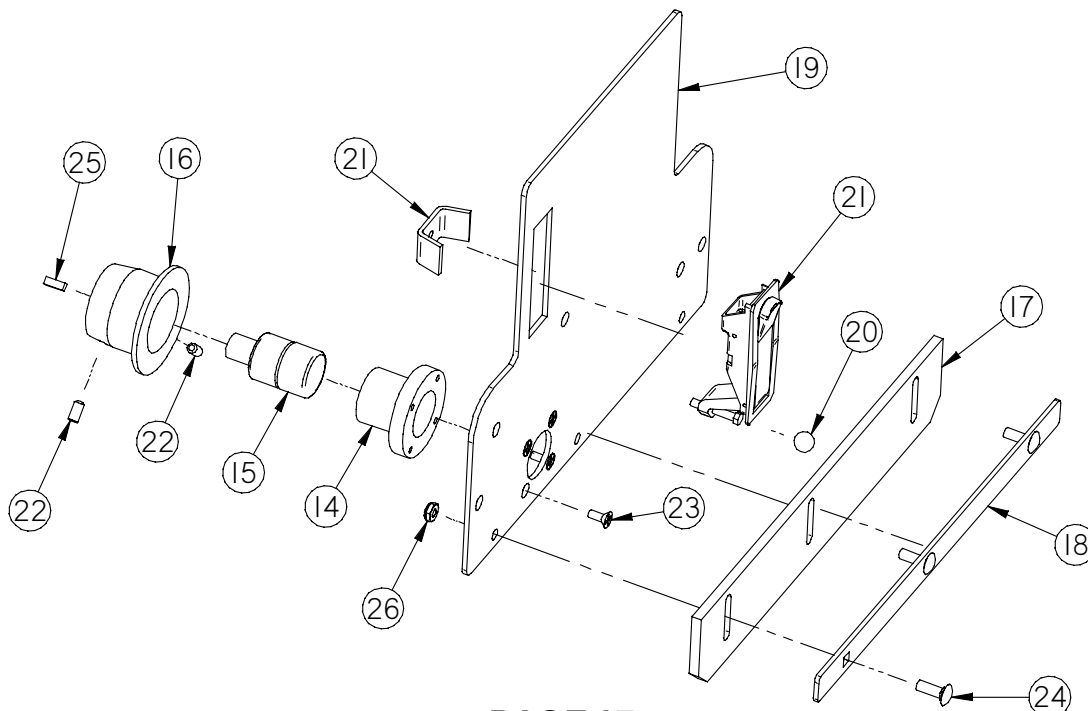
| Item | Part No. | Part Description | Qty. |
|------|-----------|-----------------------------|------|
| 1 | 28-7160 | 38" SQUEEGEE BAND, REAR | 1 |
| 2 | 28-7170 | 38" SQUEEGEE BAND, FRONT | 1 |
| 3 | 28-7181 | 38" SQUEEGEE BODY | 1 |
| 4 | 290-5786 | STAR KNOB, 3/8-16 THREAD | 2 |
| 5 | 5-760B | 4" SIDE WHEEL (GREY) | 2 |
| 6 | 5-846 | STANDOFF, 1.03" | 2 |
| 7 | H-00249 | PPH #10-32 X 2 1/4" SS | 2 |
| 8 | H-00288 | PPH #10-32 X 2 1/2" SS | 2 |
| 9 | H-0170368 | PPH #10-32 X 3.0" SS | 2 |
| 10 | H-33371 | 5/16" ID SHAFT COLLAR | 2 |
| 11 | H-37350 | BHSCS 3/8"- 16 X 3-1/2" S/S | 2 |
| 12 | H-70003 | HCS 1/4"- 20 X 3/4" SS | 4 |
| 13 | H-70065 | HCS 5/16"- 18 X 3" SS | 2 |
| 14 | H-70711 | HN 5/16"- 18 SS | 2 |
| 15 | H-70908 | WINGNUT 10-32 SS | 8 |
| 16 | H-71015 | FW 5/16" X 3/4" SAE SS | 4 |
| 17 | H-71063 | LW 1/4" SS | 4 |
| 18 | H-71065 | LW 5/16" SS | 2 |
| 19 | H-71067 | LW 3/8" SS | 2 |
| 20 | H-72555 | PPH #10-32 X 1 3/4" SS | 2 |
| 21 | H-NJ06C | JNYL 3/8- 16 SS | 2 |

CYLINDRICAL DOOR ASSEMBLY

"NEW STYLE" DOOR ASSEMBLY SERIAL #50000 & GREATER



"OLD STYLE" DOOR ASSEMBLY PRIOR TO SERIAL #50000



PAGE 37

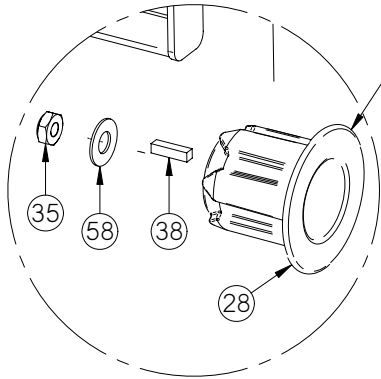
CYLINDRICAL DOOR ASSEMBLY

"NEW STYLE" DOOR ASSEMBLY SERIAL #50000 & GREATER

| Item | Part Number | Part Description | Qty |
|------|-------------|--------------------------------|-----|
| 1 | 253-9010 | CYLINDRICAL WIPER | 1 |
| 2 | 253-9015 | WIPER BAND | 1 |
| 3 | 253-9022 | DRIVE COVER | 1 |
| 4 | 370-8241A | IDLER DRIVE BEARING | 1 |
| 5 | 370-8370 | BRUSH DRIVER/IDLER (NEW STYLE) | 1 |
| 6 | 5-100 | GROMMET | 1 |
| 7 | 5-130 | DOOR LATCH | 1 |
| 8 | H-00270 | 3/16" X 3/4" KEY | 1 |
| 9 | H-0171004 | JNYL 3/8- 24 SS | 1 |
| 10 | H-71017 | FW 3/8" X 7/8" SS | 1 |
| 11 | H-72682 | FHP #10-32 X 1/2" SS | 4 |
| 12 | H-74419 | CB 1/4"- 20 X .75" SS | 3 |
| 13 | H-NJ04C | JNYL 1/4" - 20 SS | 3 |

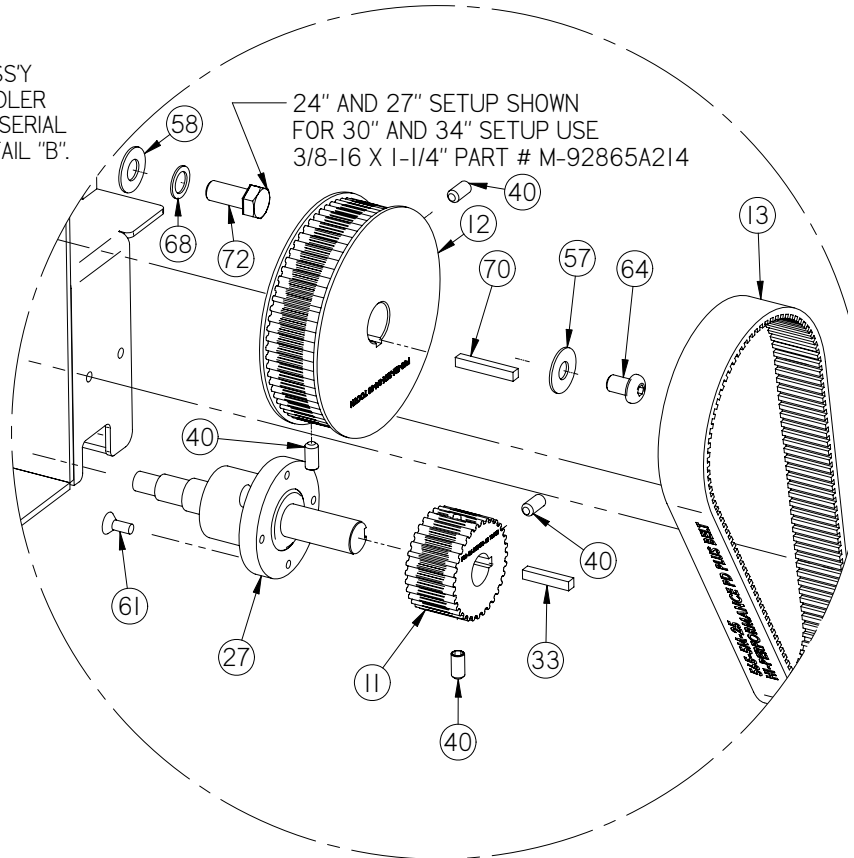
"OLD STYLE" DOOR ASSEMBLY PRIOR TO SERIAL #50000

| Item | Part Number | Part Description | Qty |
|------|-------------|-------------------------------|-----|
| 14 | I-305 | BEARING HOUSING | 1 |
| 15 | 253-8241 | IDLER BEARING | 1 |
| 16 | 253-8370 | CYLINDRICAL BRUSH IDLER | 1 |
| 17 | 253-9010 | CYLINDRICAL WIPER | 1 |
| 18 | 253-9015 | WIPER BAND | 1 |
| 19 | 253-9022 | DRIVE COVER | 1 |
| 20 | 5-100 | GROMMET | 1 |
| 21 | 5-130 | DOOR LATCH | 1 |
| 22 | H-25382 | SETSCREW, KCP, 1/4"-20 X 1/2" | 2 |
| 23 | H-72682 | FHP #10-32 X 1/2" SS | 4 |
| 24 | H-74419 | CB 1/4"- 20 X .75" SS | 3 |
| 25 | H-K1432 | 3/16" X 1/2" KEY | 1 |
| 26 | H-NJ04C | JNYL 1/4" - 20 SS | 3 |

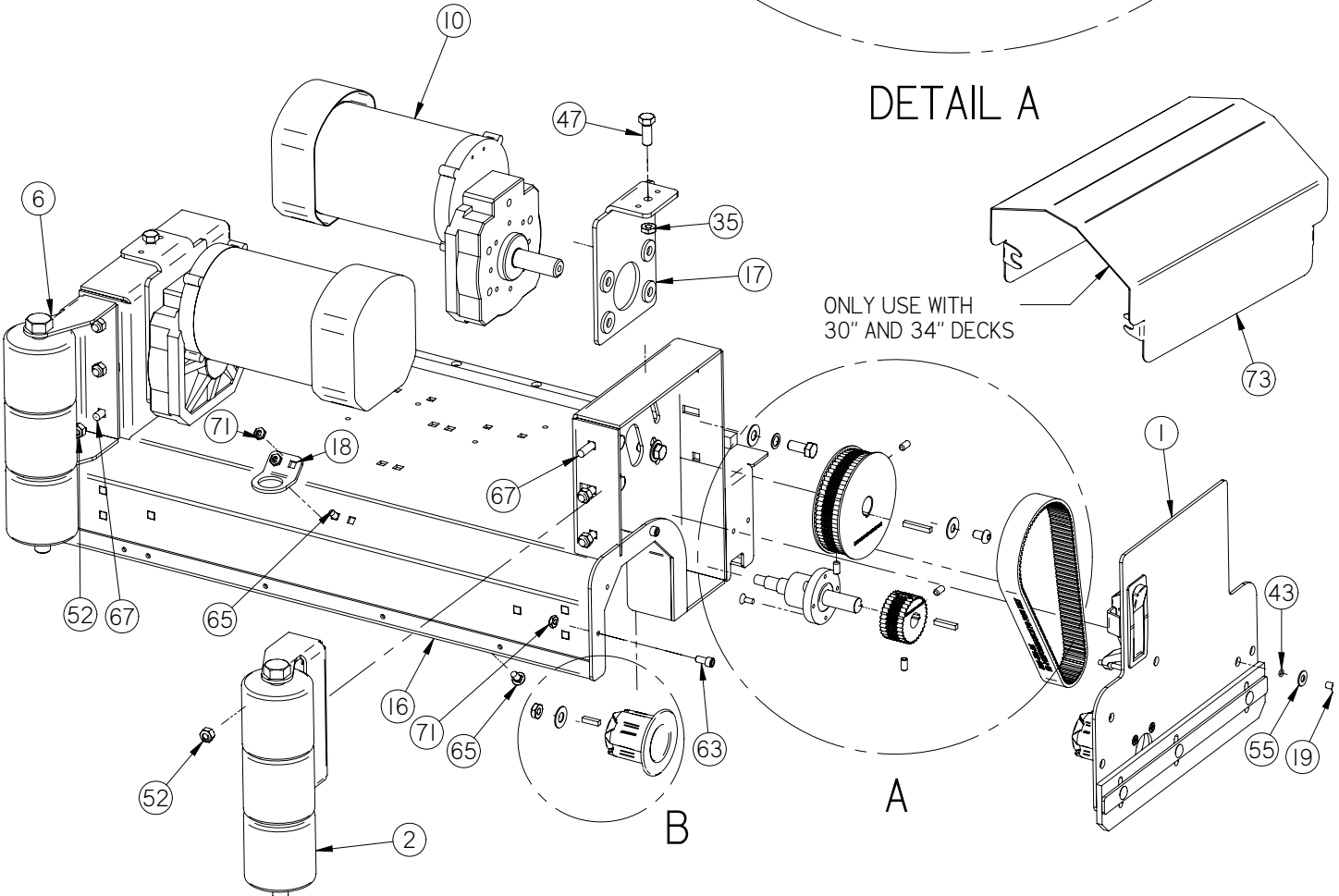
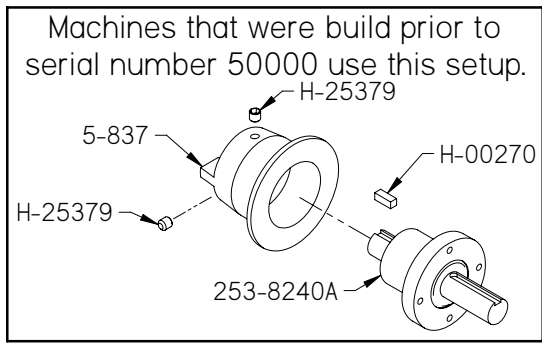


DETAIL B

NOTE:
SEE CYL DOOR ASSY
FOR OLD STYLE IDLER
SETUP PRIOR TO SERIAL
#50000 FOR DETAIL "B".



DETAIL A



| Item | Part Description | 24" P/N PAINTED | 24" P/N STAINLESS | 27" P/N PAINTED | 27" P/N STAINLESS | 30" P/N PAINTED | 30" P/N STAINLESS | 34" P/N PAINTED | 34" P/N STAINLESS | Qty |
|------|---|-----------------|-------------------|-----------------|-------------------|-----------------|-------------------|-----------------|-------------------|-----|
| 1 | CYLINDRICAL DOOR ASSEMBLY | | | | | | | | | 2 |
| 2 | ROLLER | 21-1127 | | | | | | | | 6 |
| 3 | SPACER 1/2 OD X 1/4" | 21-2211 | | | | | | | | 2 |
| 4 | ADJUSTABLE SOLUTION FLOW VALVE | 21-4500 | | | | | | | | 1 |
| 5 | HOPPER RAIL | 22-8320 | 22-8320 | 25-8320 | 25-8320 | 28-8320 | 28-8320 | 32-8320 | 32-8320 | 1 |
| 6 | ROLLER BRACKET | 253-1128 | | | | | | | | 2 |
| 7 | 1/2" ID X 2-3/4" LG WIRE REINF. CLEAR TUBE | 253-1606 | | | | | | | | 1 |
| 8 | 1/2" ID X 12-1/4" LG WIRE REIF. CLEAR TUBE | 253-1607 | | | | | | | | 1 |
| 9 | 1/2" ID X 12-1/4" LG WIRE REINF. CLEAR TUBE | 253-1607 | | | | | | | | 1 |
| 10 | MOTOR, 24V, 3/4 HP, 350 RPM | 253-211 | 253-211 | 253-211 | 253-211 | 253-2222 | 253-2222 | 253-2222 | 253-2222 | 2 |
| 11 | TIMING SPROCKET 32 TOOTH | 253-8215 | | | | | | | | 2 |
| 12 | TIMING SPROCKET 68 TOOTH | 253-8225 | | | | | | | | 2 |
| 13 | 565-5M-25 HI-PERFORMANCE PD PLUS BELT | 253-8230 | | | | | | | | 2 |
| 14 | DRIVE BEARING | 253-8240 | | | | | | | | 1 |
| 15 | ADJUSTABLE LATERAL ARM BODY | 253-8435 | | | | | | | | 2 |
| 16 | CYLINDRICAL BRUSH-HEAD, 24" | 253-9000 | 253-5000 | 253-9027 | 253-5027 | 253-9030 | 253-5030 | 253-9034 | 253-5034 | 1 |
| 17 | MOTOR ADJ BRACKET | 253-9002 | | | | | | | | 2 |
| 18 | QUICK DISCONNECT BRACKET | 253-9003 | | | | | | | | 1 |
| 19 | THUMB SCREW | 253-9024 | | | | | | | | 2 |
| 20 | 24" HOPPER | 253-9050 | 253-5050 | 253-9051 | 253-5051 | 253-9052 | 253-5052 | 253-9053 | 253-5053 | 1 |
| 21 | CYLINDRICAL LIFTING BRACKET, LH, 24" | 253-9070 | 253-9070 | 253-9072 | 253-9072 | 253-9074 | 253-9074 | 253-9076 | 253-9076 | 1 |
| 22 | CYLINDRICAL LIFTING BRACKET, RH, 24" | 253-9071 | 253-9071 | 253-9073 | 253-9073 | 253-9075 | 253-9075 | 253-9077 | 253-9077 | 1 |
| 23 | SCRUBDECK LIFT ARM, CYLINDRICAL | 253-9590 | | | | | | | | 1 |
| 24 | 3/8" ID, 1/2" OD, 1/4" LG BEARING | 290-1233 | | | | | | | | 8 |
| 25 | ROD END, 3/8-24 LEFT HAND THREAD | 290-9584 | | | | | | | | 2 |
| 26 | ROD END, 3/8-24 RIGHT HAND THREAD | 290-9585 | | | | | | | | 2 |
| 27 | BEARING HOUSING/BEARING | 370-8240A | | | | | | | | 2 |
| 28 | BRUSH DRIVER/IDLER (NEW STYLE) | 370-8370 | | | | | | | | 2 |
| 29 | BATTERY QUICK DISCONNECT | 390-2575 | | | | | | | | 1 |
| 30 | GROMMET-3/8 ID X 1-1/2 OD X .375 | 4-446 | | | | | | | | 6 |
| 31 | RECESSED HANDLE | 5-849 | | | | | | | | 1 |
| 32 | INLINE FILTER | 5-913 | | | | | | | | 1 |
| 33 | 3/16" X 1" KEY | H-01125 | | | | | | | | 2 |
| 34 | JNYL #10-32, 18-8 S/S | H-0129155 | | | | | | | | 13 |
| 35 | JNYL 3/8- 24 SS | H-0171004 | | | | | | | | 4 |
| 36 | BHSCS 1/4 - 20 X 1" SS W/PELLET | H-02223 | | | | | | | | 2 |
| 37 | 3/8 ID X 5/8 OD SHIM | H-02949 | | | | | | | | 4 |
| 38 | 3/16" X 3/4" KEY | H-0953152 | | | | | | | | 2 |
| 39 | HB 5/8"- 11 X 10" | H-11333 | | | | | | | | 2 |
| 40 | SETSCREW, KCP, 1/4"-20 X 1/2" | H-25382 | | | | | | | | 8 |
| 41 | LH HX JAM .375-24 SS | H-36956 | | | | | | | | 2 |
| 42 | JNYL 5/8"- 11 | H-37038 | | | | | | | | 2 |
| 43 | O-RING, 3/16" X 5/16" X #8 BUNA | H-66802 | | | | | | | | 2 |
| 44 | HCS 1/4"-20 X 1/2 SS" | H-70001 | | | | | | | | 1 |
| 45 | HCS 3/8"- 16 X 1-1/2" SS | H-70109 | | | | | | | | 2 |
| 46 | HCS 3/8"- 16 X 1-3/4" SS | H-70110 | | | | | | | | 2 |
| 47 | HCS 3/8"- 24 X 1" S/S | H-70142 | | | | | | | | 2 |
| 48 | HN 3/8"-16 SS | H-70712 | | | | | | | | 2 |
| 49 | HN 1/4"- 28 SS | H-70730 | | | | | | | | 1 |
| 50 | HX JAM .375-24 SS | H-70832 | | | | | | | | 2 |
| 51 | NYLOK 1/4"- 20 SS | H-70860 | | | | | | | | 1 |
| 52 | NYLOK 5/16" - 18 SS | H-70861 | | | | | | | | 16 |
| 53 | NYLOK 3/8"-16 SS | H-70862 | | | | | | | | 4 |
| 54 | KN #10-32 SS | H-70923 | | | | | | | | 2 |
| 55 | FW 1/4 ID X 5/8 OD SS | H-71013 | | | | | | | | 2 |
| 56 | FW 5/16 ID X 3/4 OD SS | H-71015 | | | | | | | | 5 |
| 57 | FW 5/16 ID X 7/8 OD SS | H-71016 | | | | | | | | 2 |
| 58 | FW 3/8 ID X 7/8 OD SS | H-71017 | | | | | | | | 16 |
| 59 | LW 3/8" SS | H-71067 | | | | | | | | 6 |
| 60 | PPH #10-32 X 3/4" S/S | H-72534 | | | | | | | | 2 |
| 61 | FHP #10-32 X 1/2" SS | H-72682 | | | | | | | | 8 |
| 62 | FHP 10-32 X 3/4" SS | H-72684 | | | | | | | | 6 |
| 63 | SHCS 1/4-20 X 1/2 SS | H-73459 | | | | | | | | 4 |
| 64 | BHSCS 5/16-18 X 1/2" | H-73777 | | | | | | | | 2 |
| 65 | CB 1/4"- 20 X .5" SS | H-74417 | | | | | | | | 4 |
| 66 | CB 5/16"- 18 X 3/4" SS | H-74429 | | | | | | | | 10 |
| 67 | CB 5/16"- 18 X 1" SS | H-74430 | | | | | | | | 6 |
| 68 | WASHER, SERRATED BELLEVILLE, 3/8", S/S | H-90895 | | | | | | | | 8 |
| 69 | FW 3/8" GRADE 8 | H-98025 | | | | | | | | 10 |
| 70 | 3/16" X 1 1/4" KEY | H-K14320 | | | | | | | | 2 |
| 71 | JNYL 1/4" - 20 SS | H-NJ04C | | | | | | | | 9 |
| 72 | HCS 3/8"-24 X 7/8" SS | M-92865A214 | | | | | | | | 8 |
| 73 | GROMMET, 3/4" ID X 1-3/8" OD BUNA-N | M-9307K81 | | | | | | | | 2 |
| 74 | 3/4" DIA I HOLE TUBE STRAP | M-9434T27 | | | | | | | | 1 |
| 73 | MOTOR COVER | 253-2221 | | | | | | | | 1 |

NOTE: ALL DECK SIZES USE THE SAME PARTS UNLESS OTHERWISE INDICATED IN COLUMNS ABOVE.

* (OPTIONAL) HD PACKAGE FOR 27" DECKS USE MOTOR P/N 253-2222.

MOTOR P/N 253-2222 LISTED ABOVE IS 24-VOLT, 1 HP, 350 RPM. THIS MOTOR USE'S (8) HCS 3/8-16 X 1", P/N H-70105.

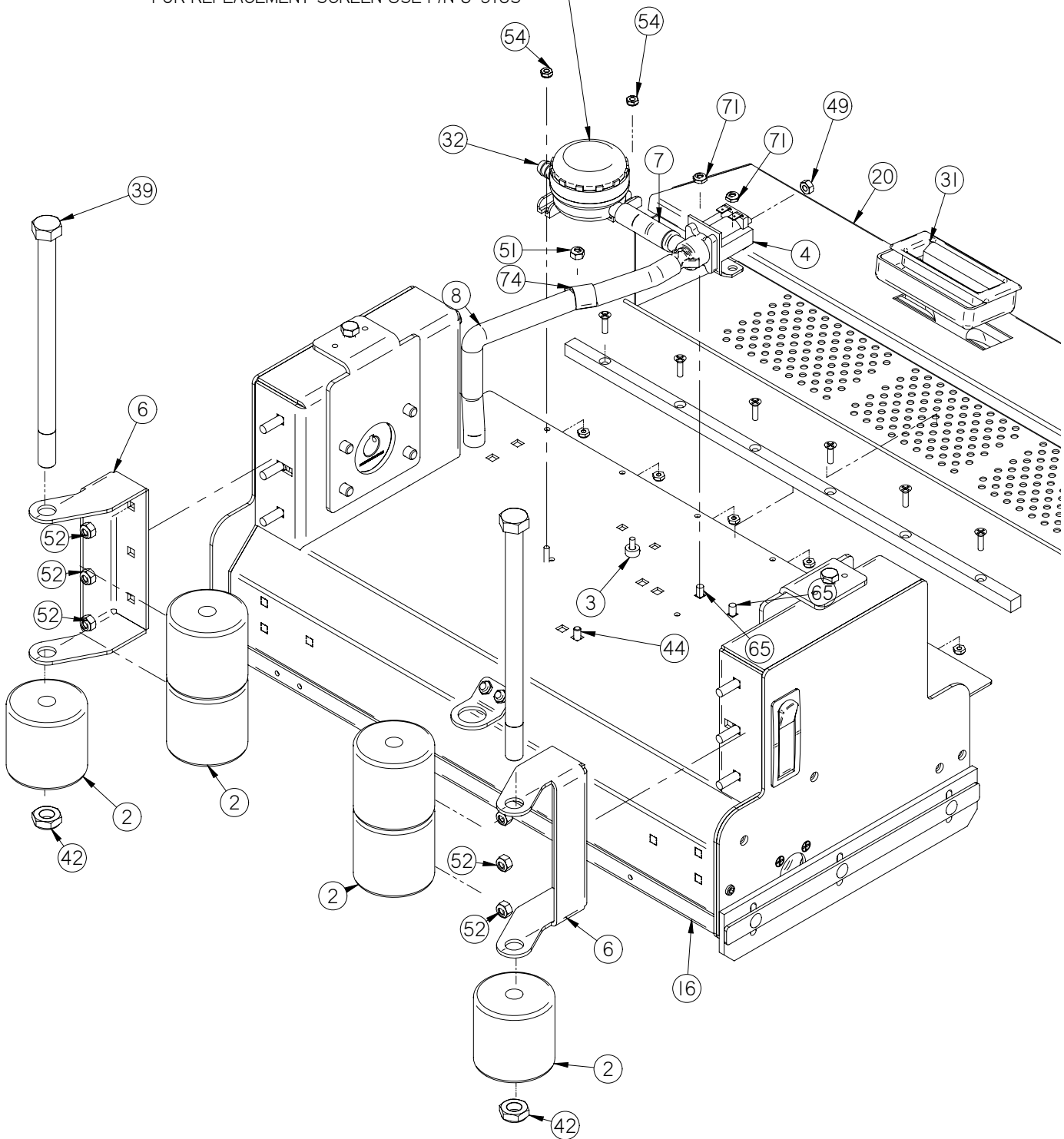
MOTOR COVER P/N 253-2221 IS ONLY USED WITH MOTOR P/N 253-2222.

SEE COMMON WEAR PARTS PAGE FOR BRUSH SELECTION.

SERIAL #50000 37 REATED

38 Cylindrical Deck Assembly

FOR REPLACEMENT SCREEN USE P/N 5-9135



| Item | Part Description | 24" P/N PAINTED | 24" P/N STAINLESS | 27" P/N PAINTED | 27" P/N STAINLESS | 30" P/N PAINTED | 30" P/N STAINLESS | 34" P/N PAINTED | 34" P/N STAINLESS | Qty |
|------|---|-----------------|-------------------|-----------------|-------------------|-----------------|-------------------|-----------------|-------------------|-----|
| 1 | CYLINDRICAL DOOR ASSEMBLY | | | | | | | | | 2 |
| 2 | ROLLER | 21-1127 | | | | | | | | 6 |
| 3 | SPACER 1/2 OD X 1/4" | 21-2211 | | | | | | | | 2 |
| 4 | ADJUSTABLE SOLUTION FLOW VALVE | 21-4500 | | | | | | | | 1 |
| 5 | HOPPER RAIL | 22-8320 | 22-8320 | 25-8320 | 25-8320 | 28-8320 | 28-8320 | 32-8320 | 32-8320 | 1 |
| 6 | ROLLER BRACKET | 253-1128 | | | | | | | | 2 |
| 7 | 1/2" ID X 2-3/4" LG WIRE REINF. CLEAR TUBE | 253-1606 | | | | | | | | 1 |
| 8 | 1/2" ID X 12-1/4" LG WIRE REINF. CLEAR TUBE | 253-1607 | | | | | | | | 1 |
| 9 | 1/2" ID X 12-1/4" LG WIRE REINF. CLEAR TUBE | 253-1607 | | | | | | | | 1 |
| 10 | MOTOR, 24V, 3/4 HP, 350 RPM | 253-211 | 253-211 | 253-211 | 253-211 | 253-2222 | 253-2222 | 253-2222 | 253-2222 | 2 |
| 11 | TIMING SPROCKET 32 TOOTH | 253-8215 | | | | | | | | 2 |
| 12 | TIMING SPROCKET 68 TOOTH | 253-8225 | | | | | | | | 2 |
| 13 | 565-5M-25 HI-PERFORMANCE PD PLUS BELT | 253-8230 | | | | | | | | 2 |
| 14 | DRIVE BEARING | 253-8240 | | | | | | | | 1 |
| 15 | ADJUSTABLE LATERAL ARM BODY | 253-8435 | | | | | | | | 2 |
| 16 | CYLINDRICAL BRUSHHEAD, 24" | 253-9000 | 253-5000 | 253-9027 | 253-5027 | 253-9030 | 253-5030 | 253-9034 | 253-5034 | 1 |
| 17 | MOTOR ADJ BRACKET | 253-9002 | | | | | | | | 2 |
| 18 | QUICK DISCONNECT BRACKET | 253-9003 | | | | | | | | 1 |
| 19 | THUMB SCREW | 253-9024 | | | | | | | | 2 |
| 20 | 24" HOPPER | 253-9050 | 253-5050 | 253-9051 | 253-5051 | 253-9052 | 253-5052 | 253-9053 | 253-5053 | 1 |
| 21 | CYLINDRICAL LIFTING BRACKET, LH, 24" | 253-9070 | 253-9070 | 253-9072 | 253-9072 | 253-9074 | 253-9074 | 253-9076 | 253-9076 | 1 |
| 22 | CYLINDRICAL LIFTING BRACKET, RH, 24" | 253-9071 | 253-9071 | 253-9073 | 253-9073 | 253-9075 | 253-9075 | 253-9077 | 253-9077 | 1 |
| 23 | SCRUBDECK LIFT ARM, CYLINDRICAL | 253-9590 | | | | | | | | 1 |
| 24 | 3/8" ID, 1/2" OD, 1/4" LG BEARING | 290-1233 | | | | | | | | 8 |
| 25 | ROD END, 3/8-24 LEFT HAND THREAD | 290-9584 | | | | | | | | 2 |
| 26 | ROD END, 3/8-24 RIGHT HAND THREAD | 290-9585 | | | | | | | | 2 |
| 27 | BEARING HOUSING/BEARING | 370-8240A | | | | | | | | 2 |
| 28 | BRUSH DRIVER/IDLER (NEW STYLE) | 370-8370 | | | | | | | | 2 |
| 29 | BATTERY QUICK DISCONNECT | 390-2575 | | | | | | | | 1 |
| 30 | GROMMET-3/8 ID X 1-1/2 OD X .375 | 4-446 | | | | | | | | 6 |
| 31 | RECESSED HANDLE | 5-849 | | | | | | | | 1 |
| 32 | INLINE FILTER | 5-913 | | | | | | | | 1 |
| 33 | 3/16" X 1" KEY | H-01125 | | | | | | | | 2 |
| 34 | JNYL #10-32, 18-8 S/S | H-0129155 | | | | | | | | 13 |
| 35 | JNYL 3/8- 24 SS | H-0171004 | | | | | | | | 4 |
| 36 | BHSCS 1/4 - 20 X 1" SS W/PELLET | H-02223 | | | | | | | | 2 |
| 37 | 3/8 ID X 5/8 OD SHIM | H-02949 | | | | | | | | 4 |
| 38 | 3/16" X 3/4" KEY | H-0953152 | | | | | | | | 2 |
| 39 | HB 5/8"- 11 X 10" | H-11333 | | | | | | | | 2 |
| 40 | SETScrew, KCP, 1/4"-20 X 1/2" | H-25382 | | | | | | | | 8 |
| 41 | LH HX JAM .375-24 SS | H-36956 | | | | | | | | 2 |
| 42 | JNYL 5/8"- 11 | H-37038 | | | | | | | | 2 |
| 43 | O-RING, 3/16" X 5/16" X #8 BUNA | H-66802 | | | | | | | | 2 |
| 44 | HCS 1/4"-20 X 1/2 SS" | H-70001 | | | | | | | | 1 |
| 45 | HCS 3/8"- 16 X 1-1/2" SS | H-70109 | | | | | | | | 2 |
| 46 | HCS 3/8"- 16 X 1-3/4" SS | H-70110 | | | | | | | | 2 |
| 47 | HCS 3/8"- 24 X 1" S/S | H-70142 | | | | | | | | 2 |
| 48 | HN 3/8"-16 SS | H-70712 | | | | | | | | 2 |
| 49 | HN 1/4"- 28 SS | H-70730 | | | | | | | | 1 |
| 50 | HX JAM .375-24 SS | H-70832 | | | | | | | | 2 |
| 51 | NYLOK 1/4"- 20 SS | H-70860 | | | | | | | | 1 |
| 52 | NYLOK 5/16" - 18 SS | H-70861 | | | | | | | | 16 |
| 53 | NYLOK 3/8"-16 SS | H-70862 | | | | | | | | 4 |
| 54 | KN #10-32 SS | H-70923 | | | | | | | | 2 |
| 55 | FW 1/4 ID X 5/8 OD SS | H-71013 | | | | | | | | 2 |
| 56 | FW 5/16 ID X 3/4 OD SS | H-71015 | | | | | | | | 5 |
| 57 | FW 5/16 ID X 7/8 OD SS | H-71016 | | | | | | | | 2 |
| 58 | FW 3/8 ID X 7/8 OD SS | H-71017 | | | | | | | | 16 |
| 59 | LW 3/8" SS | H-71067 | | | | | | | | 6 |
| 60 | PPH #10-32 X 3/4" S/S | H-72534 | | | | | | | | 2 |
| 61 | FHP #10-32 X 1/2" SS | H-72682 | | | | | | | | 8 |
| 62 | FHP 10-32 X 3/4" SS | H-72684 | | | | | | | | 6 |
| 63 | SHCS 1/4-20 X 1/2 SS | H-73459 | | | | | | | | 4 |
| 64 | BHSCS 5/16-18 X 1/2" | H-73777 | | | | | | | | 2 |
| 65 | CB 1/4"- 20 X .5" SS | H-74417 | | | | | | | | 4 |
| 66 | CB 5/16"- 18 X 3/4" SS | H-74429 | | | | | | | | 10 |
| 67 | CB 5/16"- 18 X 1" SS | H-74430 | | | | | | | | 6 |
| 68 | WASHER, SERRATED BELLEVILLE, 3/8", S/S | H-90895 | | | | | | | | 8 |
| 69 | FW 3/8" GRADE 8 | H-98025 | | | | | | | | 10 |
| 70 | 3/16" X 1 1/4" KEY | H-K14320 | | | | | | | | 2 |
| 71 | JNYL 1/4" - 20 SS | H-NJ04C | | | | | | | | 9 |
| 72 | HCS 3/8"-24 X 7/8" SS | M-92865A214 | | | | | | | | 8 |
| 73 | GROMMET, 3/4" ID X 1-3/8" OD BUNA-N | M-9307K81 | | | | | | | | 2 |
| 74 | 3/4" DIA I HOLE TUBE STRAP | M-9434T27 | | | | | | | | 1 |
| 73 | MOTOR COVER | 253-2221 | | | | | | | | 1 |

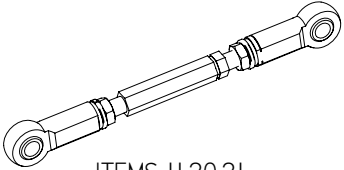
NOTE: ALL DECK SIZES USE THE SAME PARTS UNLESS OTHERWISE INDICATED IN COLUMNS ABOVE.

* (OPTIONAL) HD PACKAGE FOR 27" DECKS USE MOTOR P/N 253-2222.

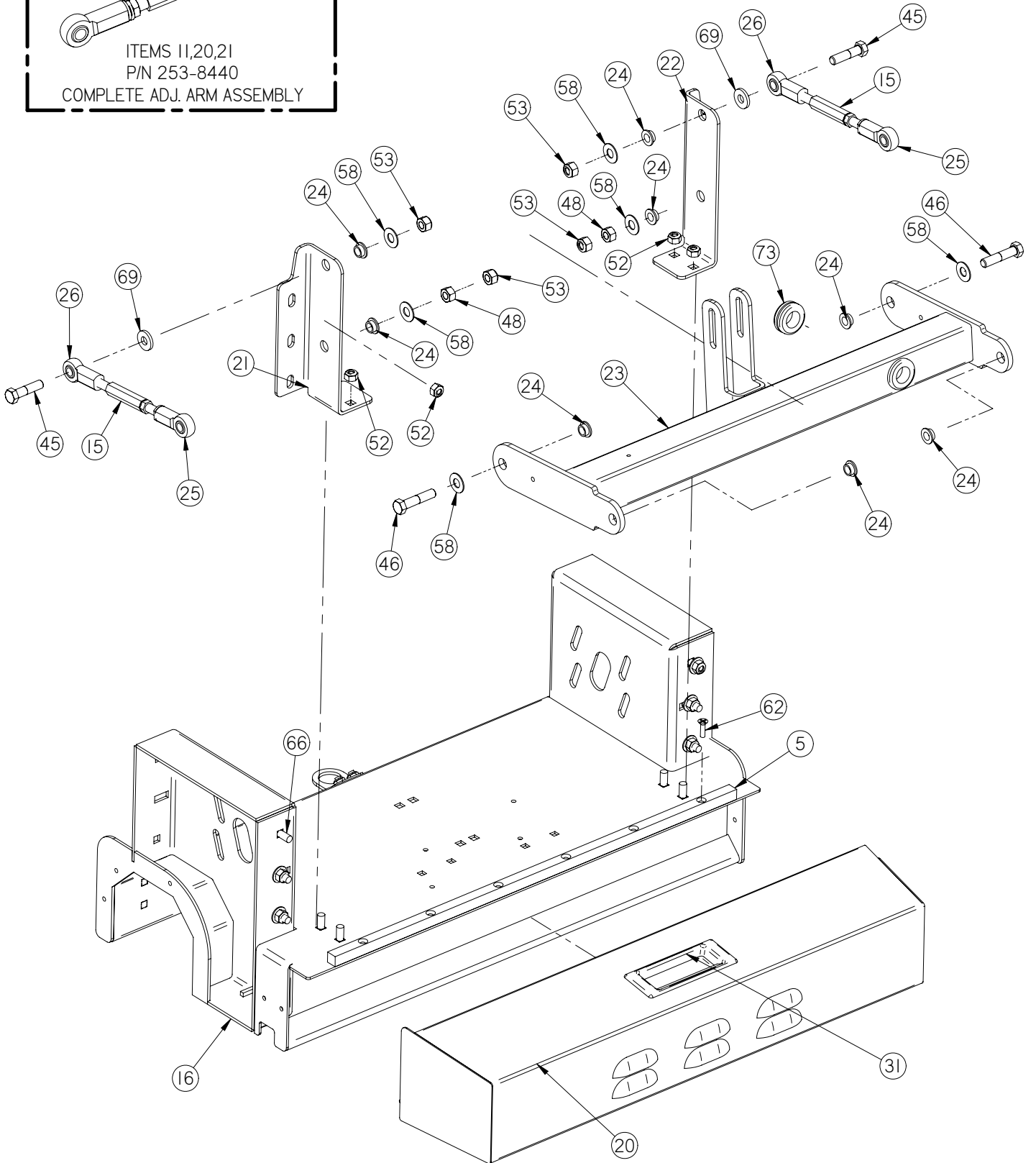
MOTOR P/N 253-2222 LISTED ABOVE IS 24-VOLT, 1 HP, 350 RPM. THIS MOTOR USE'S (8) HCS 3/8-16 X 1", P/N H-70105.

MOTOR COVER P/N 253-2221 IS ONLY USED WITH MOTOR P/N 253-2222.

SEE COMMON WEAR PARTS PAGE FOR BRUSH SELECTION.



ITEMS 11,20,21
P/N 253-8440
COMPLETE ADJ. ARM ASSEMBLY



| Item | Part Description | 24" P/N PAINTED | 24" P/N STAINLESS | 27" P/N PAINTED | 27" P/N STAINLESS | 30" P/N PAINTED | 30" P/N STAINLESS | 34" P/N PAINTED | 34" P/N STAINLESS | Qty |
|------|---|-----------------|-------------------|-----------------|-------------------|-----------------|-------------------|-----------------|-------------------|-----|
| 1 | CYLINDRICAL DOOR ASSEMBLY | | | | | | | | | 2 |
| 2 | ROLLER | 21-1127 | | | | | | | | 6 |
| 3 | SPACER 1/2 OD X 1/4" | 21-2211 | | | | | | | | 2 |
| 4 | ADJUSTABLE SOLUTION FLOW VALVE | 21-4500 | | | | | | | | 1 |
| 5 | HOPPER RAIL | 22-8320 | 22-8320 | 25-8320 | 25-8320 | 28-8320 | 28-8320 | 32-8320 | 32-8320 | 1 |
| 6 | ROLLER BRACKET | 253-1128 | | | | | | | | 2 |
| 7 | 1/2" ID X 2-3/4" LG WIRE REINF. CLEAR TUBE | 253-1606 | | | | | | | | 1 |
| 8 | 1/2" ID X 12-1/4" LG WIRE REIF. CLEAR TUBE | 253-1607 | | | | | | | | 1 |
| 9 | 1/2" ID X 12-1/4" LG WIRE REINF. CLEAR TUBE | 253-1607 | | | | | | | | 1 |
| 10 | MOTOR, 24V, 3/4 HP, 350 RPM | 253-211 | 253-211 | 253-211 | 253-211 | 253-2222 | 253-2222 | 253-2222 | 253-2222 | 2 |
| 11 | TIMING SPROCKET 32 TOOTH | 253-8215 | | | | | | | | 2 |
| 12 | TIMING SPROCKET 68 TOOTH | 253-8225 | | | | | | | | 2 |
| 13 | 565-5M-25 HI-PERFORMANCE PD PLUS BELT | 253-8230 | | | | | | | | 2 |
| 14 | DRIVE BEARING | 253-8240 | | | | | | | | 1 |
| 15 | ADJUSTABLE LATERAL ARM BODY | 253-8435 | | | | | | | | 2 |
| 16 | CYLINDRICAL BRUSHHEAD, 24" | 253-9000 | 253-5000 | 253-9027 | 253-5027 | 253-9030 | 253-5030 | 253-9034 | 253-5034 | 1 |
| 17 | MOTOR ADJ BRACKET | 253-9002 | | | | | | | | 2 |
| 18 | QUICK DISCONNECT BRACKET | 253-9003 | | | | | | | | 1 |
| 19 | THUMB SCREW | 253-9024 | | | | | | | | 2 |
| 20 | 24" HOPPER | 253-9050 | 253-5050 | 253-9051 | 253-5051 | 253-9052 | 253-5052 | 253-9053 | 253-5053 | 1 |
| 21 | CYLINDRICAL LIFTING BRACKET, LH, 24" | 253-9070 | 253-9070 | 253-9072 | 253-9072 | 253-9074 | 253-9074 | 253-9076 | 253-9076 | 1 |
| 22 | CYLINDRICAL LIFTING BRACKET, RH, 24" | 253-9071 | 253-9071 | 253-9073 | 253-9073 | 253-9075 | 253-9075 | 253-9077 | 253-9077 | 1 |
| 23 | SCRUBDECK LIFT ARM, CYLINDRICAL | 253-9590 | | | | | | | | 1 |
| 24 | 3/8" ID, 1/2" OD, 1/4" LG BEARING | 290-1233 | | | | | | | | 8 |
| 25 | ROD END, 3/8"-24 LEFT HAND THREAD | 290-9584 | | | | | | | | 2 |
| 26 | ROD END, 3/8"-24 RIGHT HAND THREAD | 290-9585 | | | | | | | | 2 |
| 27 | BEARING HOUSING/BEARING | 370-8240A | | | | | | | | 2 |
| 28 | BRUSH DRIVER/IDLER (NEW STYLE) | 370-8370 | | | | | | | | 2 |
| 29 | BATTERY QUICK DISCONNECT | 390-2575 | | | | | | | | 1 |
| 30 | GROMMET-3/8 ID X 1-1/2 OD X .375 | 4-446 | | | | | | | | 6 |
| 31 | RECESSED HANDLE | 5-849 | | | | | | | | 1 |
| 32 | INLINE FILTER | 5-913 | | | | | | | | 1 |
| 33 | 3/16" X 1" KEY | H-01125 | | | | | | | | 2 |
| 34 | JNYL #10-32, 18-8 S/S | H-0129155 | | | | | | | | 13 |
| 35 | JNYL 3/8- 24 SS | H-0171004 | | | | | | | | 4 |
| 36 | BHSCS 1/4 - 20 X 1" SS W/PELLET | H-02223 | | | | | | | | 2 |
| 37 | 3/8 ID X 5/8 OD SHIM | H-02949 | | | | | | | | 4 |
| 38 | 3/16" X 3/4" KEY | H-0953152 | | | | | | | | 2 |
| 39 | HB 5/8"- 11 X 10" | H-11333 | | | | | | | | 2 |
| 40 | SETSCREW, KCP, 1/4"-20 X 1/2" | H-25382 | | | | | | | | 8 |
| 41 | LH HX JAM .375-24 SS | H-36956 | | | | | | | | 2 |
| 42 | JNYL 5/8"- 11 | H-37038 | | | | | | | | 2 |
| 43 | O-RING, 3/16" X 5/16" X #8 BUNA | H-66802 | | | | | | | | 2 |
| 44 | HCS 1/4"-20 X 1/2 SS" | H-70001 | | | | | | | | 1 |
| 45 | HCS 3/8"- 16 X 1-1/2" SS | H-70109 | | | | | | | | 2 |
| 46 | HCS 3/8"- 16 X 1-3/4" SS | H-70110 | | | | | | | | 2 |
| 47 | HCS 3/8"- 24 X 1" S/S | H-70142 | | | | | | | | 2 |
| 48 | HN 3/8"-16 SS | H-70712 | | | | | | | | 2 |
| 49 | HN 1/4"- 28 SS | H-70730 | | | | | | | | 1 |
| 50 | HX JAM .375-24 SS | H-70832 | | | | | | | | 2 |
| 51 | NYLOK 1/4"- 20 SS | H-70860 | | | | | | | | 1 |
| 52 | NYLOK 5/16" - 18 SS | H-70861 | | | | | | | | 16 |
| 53 | NYLOK 3/8"-16 SS | H-70862 | | | | | | | | 4 |
| 54 | KN #10-32 SS | H-70923 | | | | | | | | 2 |
| 55 | FW 1/4 ID X 5/8 OD SS | H-71013 | | | | | | | | 2 |
| 56 | FW 5/16 ID X 3/4 OD SS | H-71015 | | | | | | | | 5 |
| 57 | FW 5/16 ID X 7/8 OD SS | H-71016 | | | | | | | | 2 |
| 58 | FW 3/8 ID X 7/8 OD SS | H-71017 | | | | | | | | 16 |
| 59 | LW 3/8" SS | H-71067 | | | | | | | | 6 |
| 60 | PPH #10-32 X 3/4" S/S | H-72534 | | | | | | | | 2 |
| 61 | FHP #10-32 X 1/2" SS | H-72682 | | | | | | | | 8 |
| 62 | FHP 10-32 X 3/4" SS | H-72684 | | | | | | | | 6 |
| 63 | SHCS 1/4-20 X 1/2 SS | H-73459 | | | | | | | | 4 |
| 64 | BHSCS 5/16-18 X 1/2" | H-73777 | | | | | | | | 2 |
| 65 | CB 1/4"- 20 X .5" SS | H-74417 | | | | | | | | 4 |
| 66 | CB 5/16"- 18 X 3/4" SS | H-74429 | | | | | | | | 10 |
| 67 | CB 5/16"- 18 X 1" SS | H-74430 | | | | | | | | 6 |
| 68 | WASHER, SERRATED BELLEVILLE, 3/8", S/S | H-90895 | | | | | | | | 8 |
| 69 | FW 3/8" GRADE 8 | H-98025 | | | | | | | | 10 |
| 70 | 3/16" X 1 1/4" KEY | H-K14320 | | | | | | | | 2 |
| 71 | JNYL 1/4" - 20 SS | H-NJ04C | | | | | | | | 9 |
| 72 | HCS 3/8"-24 X 7/8" SS | M-92865A214 | | | | | | | | 8 |
| 73 | GROMMET, 3/4" ID X 1-3/8" OD BUNA-N | M-9307K81 | | | | | | | | 2 |
| 74 | 3/4" DIA 1 HOLE TUBE STRAP | M-9434T27 | | | | | | | | 1 |
| 73 | MOTOR COVER | 253-2221 | | | | | | | | 1 |

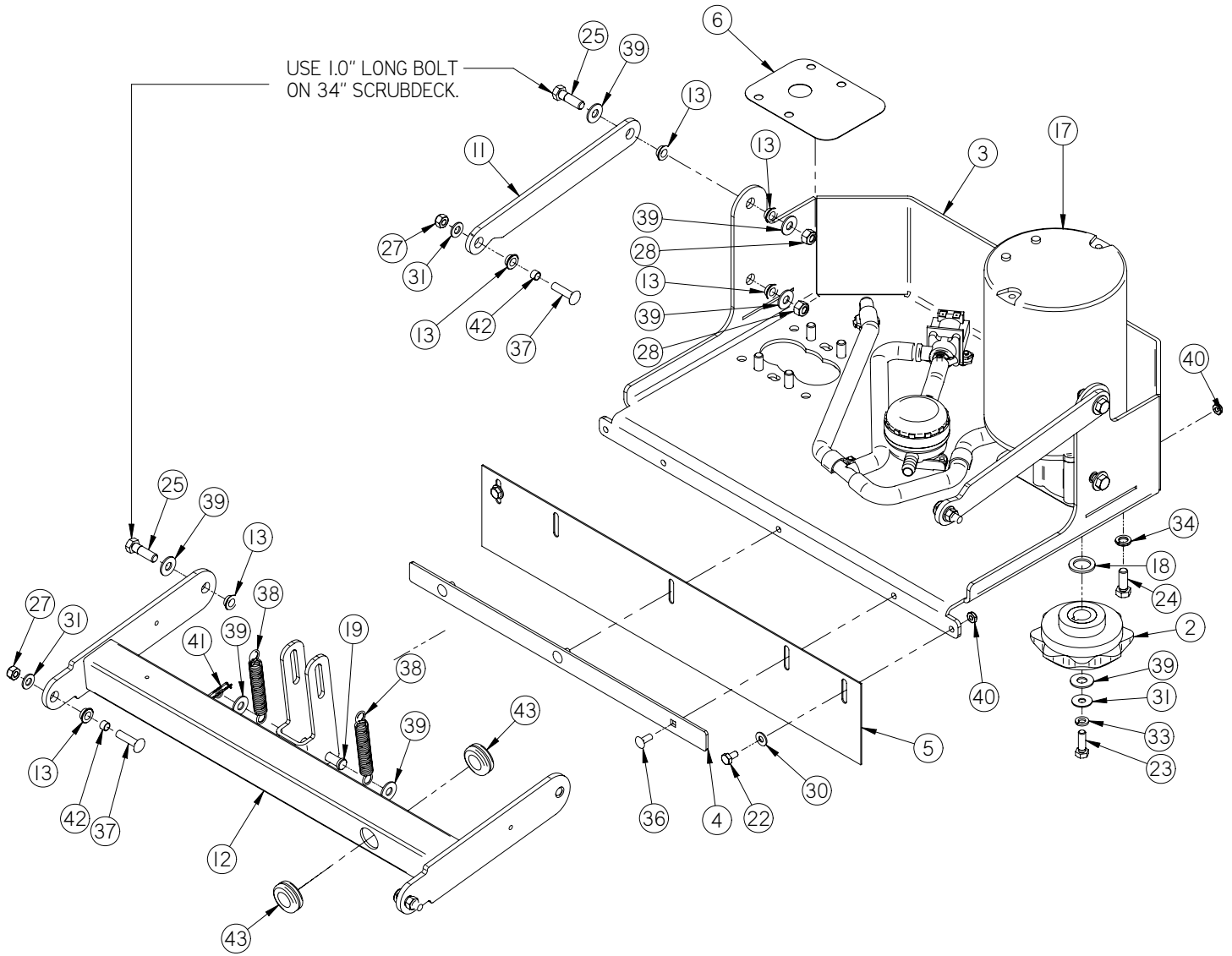
NOTE: ALL DECK SIZES USE THE SAME PARTS UNLESS OTHERWISE INDICATED IN COLUMNS ABOVE.

* (OPTIONAL) HD PACKAGE FOR 27" DECKS USE MOTOR P/N 253-2222.

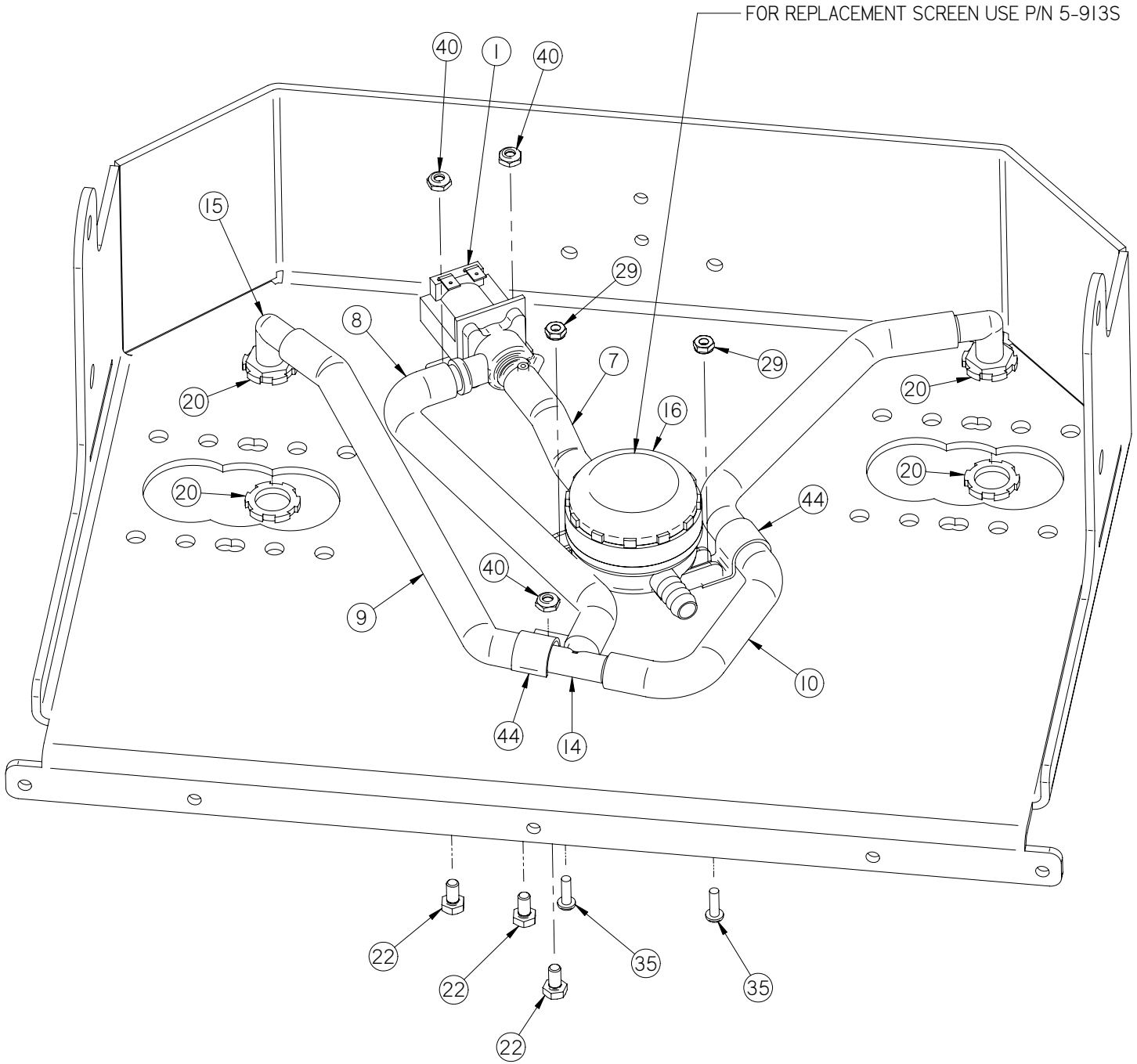
MOTOR P/N 253-2222 LISTED ABOVE IS 24-VOLT, 1 HP, 350 RPM. THIS MOTOR USE'S (8) HCS 3/8-16 X 1", P/N H-70105.

MOTOR COVER P/N 253-2221 IS ONLY USED WITH MOTOR P/N 253-2222.

SEE COMMON WEAR PARTS PAGE FOR BRUSH SELECTION.

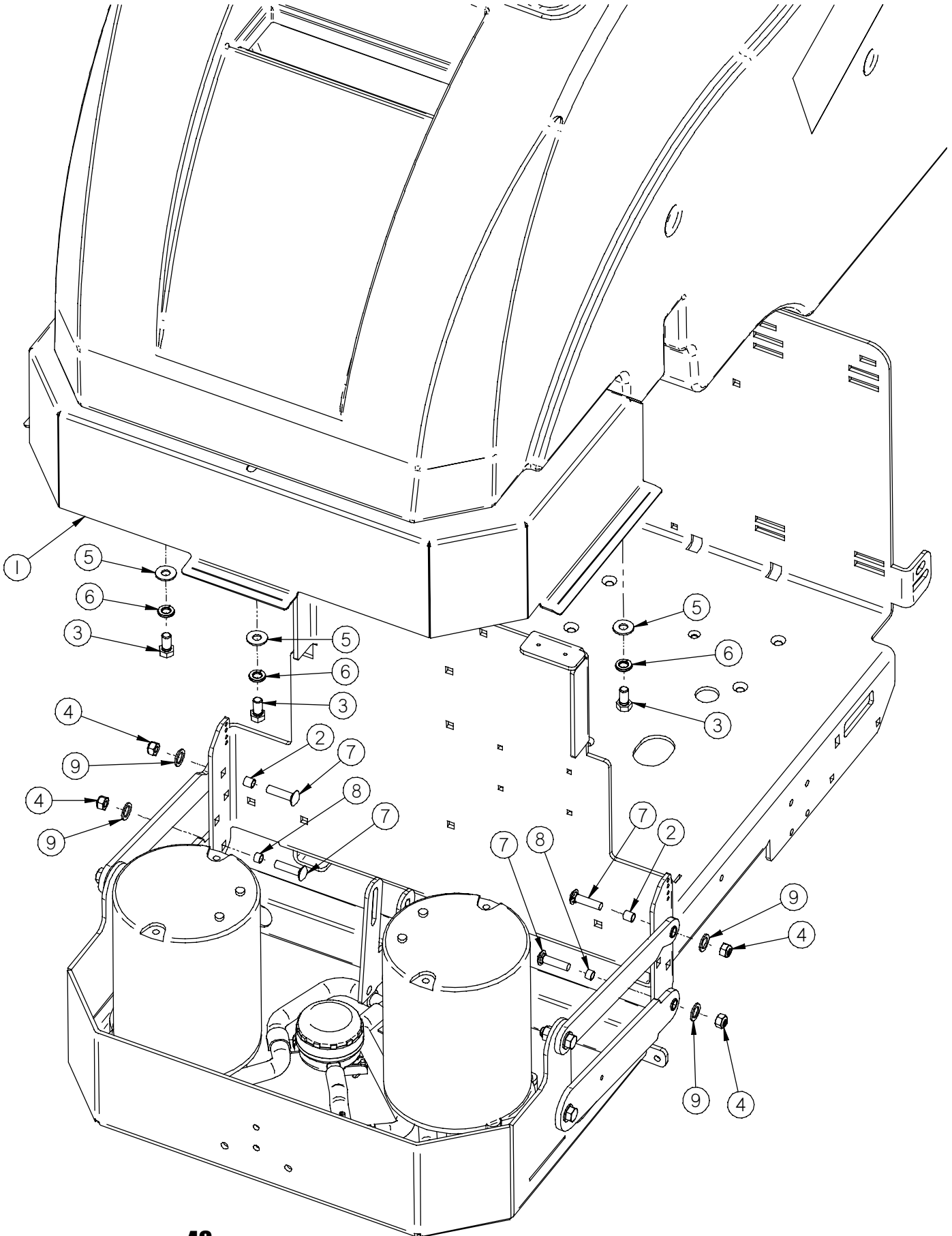


| Item | Part Number | Stainless P/N | Part Description | Comments | Optional P/N | Optional Description | Qty |
|------|-------------|---------------|---|----------|--------------|----------------------------|-----|
| 1 | 21-4500 | | ADJUSTABLE SOLUTION FLOW VALVE | | | | 1 |
| 2 | 21-5000 | | BRUSH DRIVER | | | | 2 |
| 3 | 253-0402 | 253-0405 | DISK SCRUB DECK | | | | 1 |
| 4 | 253-1020 | | BAND, FRAME CURTAIN | | | | 1 |
| 5 | 253-1090 | | DISK DECK CURTAIN | | | | 1 |
| 6 | 253-1140 | | BRUSH MOTOR CAP | OPTIONAL | | | 2 |
| 7 | 253-1600 | | 1/2" ID X 3-3/4" LG WIRE REINF. CLEAR TUBE | | | | 1 |
| 8 | 253-1601 | | 1/2" ID X 9-1/4" LG WIRE REINF. CLEAR TUBE | | | | 1 |
| 9 | 253-1602 | | 1/2" ID X 12-1/4" LG WIRE REINF. CLEAR TUBE | | | | 1 |
| 10 | 253-1603 | | 1/2" ID X 16-1/4" LG WIRE REINF. CLEAR TUBE | | | | 1 |
| 11 | 253-4025 | | LATERAL ARM | | | | 2 |
| 12 | 253-9586 | | SCRUBDECK LIFT ARM, DISK | | | | 1 |
| 13 | 290-1233 | | 3/8" ID, 1/2" OD, 1/4" LG BEARING | | | | 12 |
| 14 | 5-446 | | 1/2" PLASTIC BARB TEE | | | | 1 |
| 15 | 5-447 | | 1/2 NPT X 1/2" BARB ELBOW | | | | 2 |
| 16 | 5-913 | | INLINE FILTER | | | | 1 |
| 17 | 7-222 | | MOTOR, 24-V, 3/4 HP, 200 RPM | | 5-222 | MOTOR, 24-V, 1 HP, 200 RPM | 2 |
| 18 | H-00222 | | FW 3/4 X 1 1/8 X 3/32 SS | | | | 2 |
| 19 | H-0156943 | | 3/8" X 3-1/2" CLEVIS PIN | | | | 1 |
| 20 | H-07005 | | 1/2" NPT LOCKNUT | | | | 4 |
| 21 | H-33080 | | FW 5/16" SS | | | | 4 |
| 22 | H-70001 | | HCS 1/4"-20 X 1/2 SS" | | | | 5 |
| 23 | H-70055 | | HCS 5/16"- 18 X 1" SS | | | | 2 |
| 24 | H-70105 | | HCS 3/8"- 16 X 1" SS | | | | 8 |
| 25 | H-70107 | | HCS 3/8"- 16 X 1-1/4" SS | | | | 4 |
| 26* | H-70730 | | HN 1/4"- 28 SS | | | | 1 |
| 27 | H-70861 | | NYLOK 5/16" - 18 SS | | | | 4 |
| 28 | H-70862 | | NYLOK 3/8"-16 SS | | | | 4 |
| 29 | H-70923 | | KN #10-32 SS | | | | 2 |
| 30 | H-71013 | | FNW 1/4" X 5/8" SS | | | | 2 |
| 31 | H-71016 | | FW 5/16" X 7/8" SS | | | | 2 |
| 32 | H-71017 | | FW 3/8" X 7/8" SS | | | | 10 |
| 33 | H-71065 | | LW 5/16" SS | | | | 2 |
| 34 | H-71067 | | LW 3/8" SS | | | | 8 |
| 35 | H-72517 | | PPH #10-32 X 5/8" SS | | | | 2 |
| 36 | H-74418 | | CB 1/4"- 20 X 5/8" S/S | | | | 3 |
| 37 | H-74431 | | CB 5/16"- 18 X 1-1/4" SS | | | | 4 |
| 38 | H-96544 | | SPRING, 4-1/8" LG X 9/16" OD (42E) | | | | 2 |
| 39 | H-99001 | | FW 3/8" SS | | | | 2 |
| 40 | H-NJ04C | | JNYL 1/4" - 20 SS | | | | 8 |
| 41 | H-RUE14 | | 3/8" RUE RING COTTER | | | | 1 |
| 42 | M-6391K403 | | .312 ID X .375 OD X .25 LG BEARING SLEEVE | | | | 4 |
| 43 | M-9307K81 | | GROMMET, 3/4" ID X 1-3/8" OD BUNA-N | | | | 2 |
| 44 | M-9434T27 | | 3/4" DIA 1 HOLE TUBE STRAP | | | | 2 |

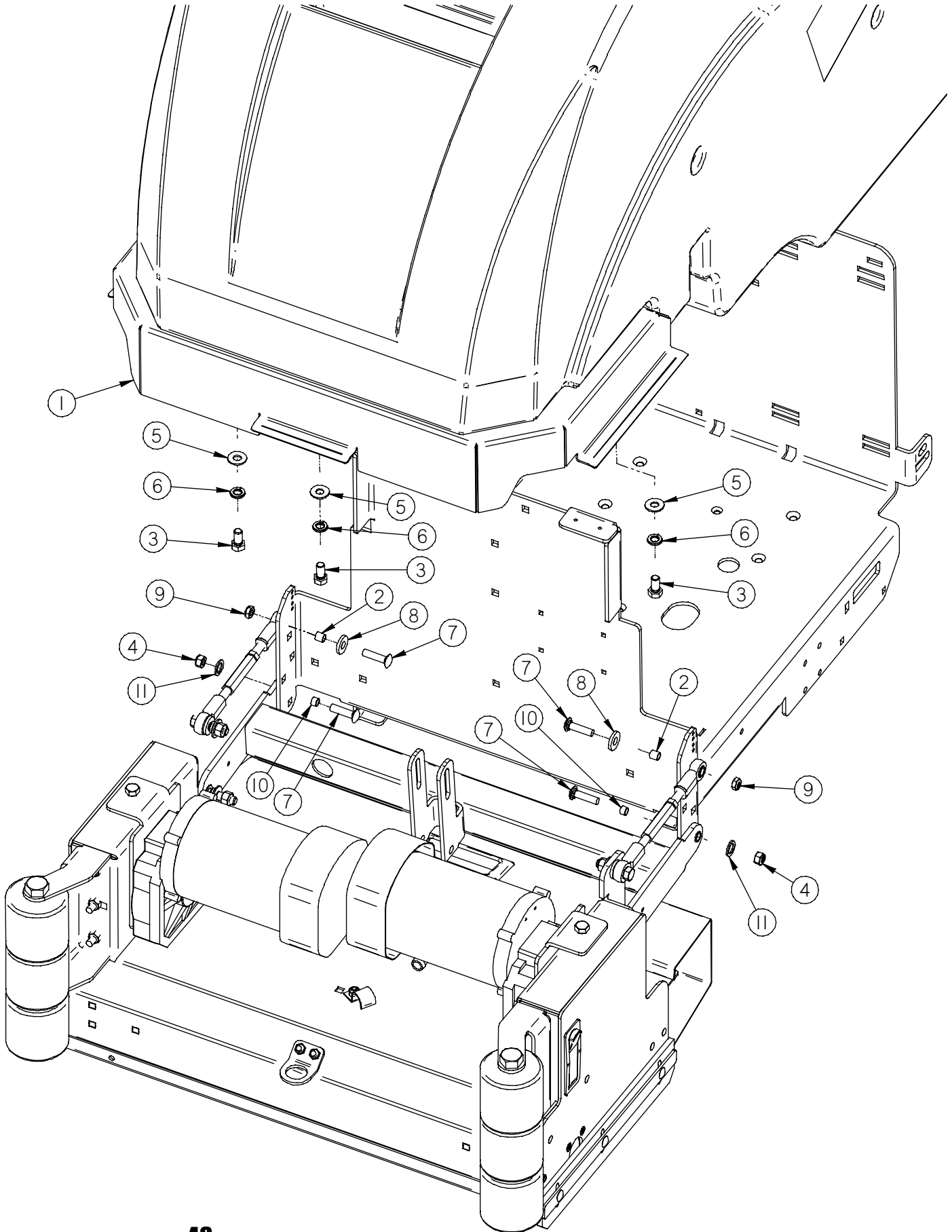


| Item | Part Number | Stainless P/N | Part Description | Comments | Optional P/N | Optional Description | Qty |
|------|-------------|---------------|---|----------|--------------|----------------------------|-----|
| 1 | 21-4500 | | ADJUSTABLE SOLUTION FLOW VALVE | | | | 1 |
| 2 | 21-5000 | | BRUSH DRIVER | | | | 2 |
| 3 | 253-0402 | 253-0405 | DISK SCRUB DECK | | | | 1 |
| 4 | 253-1020 | | BAND, FRAME CURTAIN | | | | 1 |
| 5 | 253-1090 | | DISK DECK CURTAIN | | | | 1 |
| 6 | 253-1140 | | BRUSH MOTOR CAP | OPTIONAL | | | 2 |
| 7 | 253-1600 | | 1/2" ID X 3-3/4" LG WIRE REINF. CLEAR TUBE | | | | 1 |
| 8 | 253-1601 | | 1/2" ID X 9-1/4" LG WIRE REINF. CLEAR TUBE | | | | 1 |
| 9 | 253-1602 | | 1/2" ID X 12-1/4" LG WIRE REINF. CLEAR TUBE | | | | 1 |
| 10 | 253-1603 | | 1/2" ID X 16-1/4" LG WIRE REINF. CLEAR TUBE | | | | 1 |
| 11 | 253-4025 | | LATERAL ARM | | | | 2 |
| 12 | 253-9586 | | SCRUBDECK LIFT ARM, DISK | | | | 1 |
| 13 | 290-1233 | | 3/8" ID, 1/2" OD, 1/4" LG BEARING | | | | 12 |
| 14 | 5-446 | | 1/2" PLASTIC BARB TEE | | | | 1 |
| 15 | 5-447 | | 1/2 NPT X 1/2" BARB ELBOW | | | | 2 |
| 16 | 5-913 | | INLINE FILTER | | | | 1 |
| 17 | 7-222 | | MOTOR, 24-V, 3/4 HP, 200 RPM | | 5-222 | MOTOR, 24-V, 1 HP, 200 RPM | 2 |
| 18 | H-00222 | | FW 3/4" X 1 1/8 X 3/32 SS | | | | 2 |
| 19 | H-0156943 | | 3/8" X 3-1/2" CLEVIS PIN | | | | 1 |
| 20 | H-07005 | | 1/2" NPT LOCKNUT | | | | 4 |
| 21 | H-33080 | | FW 5/16" SS | | | | 4 |
| 22 | H-70001 | | HCS 1/4"-20 X 1/2 SS" | | | | 5 |
| 23 | H-70055 | | HCS 5/16"- 18 X 1" SS | | | | 2 |
| 24 | H-70105 | | HCS 3/8"- 16 X 1" SS | | | | 8 |
| 25 | H-70107 | | HCS 3/8"- 16 X 1-1/4" SS | | | | 4 |
| 26 | H-70730 | | HN 1/4"- 28 SS | | | | 1 |
| 27 | H-70861 | | NYLOK 5/16" - 18 SS | | | | 4 |
| 28 | H-70862 | | NYLOK 3/8"-16 SS | | | | 4 |
| 29 | H-70923 | | KN #10-32 SS | | | | 2 |
| 30 | H-71013 | | FNW 1/4" X 5/8" SS | | | | 2 |
| 31 | H-71016 | | FW 5/16" X 7/8" SS | | | | 2 |
| 32 | H-71017 | | FW 3/8" X 7/8" SS | | | | 10 |
| 33 | H-71065 | | LW 5/16" SS | | | | 2 |
| 34 | H-71067 | | LW 3/8" SS | | | | 8 |
| 35 | H-72517 | | PPH #10-32 X 5/8" SS | | | | 2 |
| 36 | H-74418 | | CB 1/4"- 20 X 5/8" S/S | | | | 3 |
| 37 | H-74431 | | CB 5/16"- 18 X 1-1/4" SS | | | | 4 |
| 38 | H-96544 | | SPRING, 4-1/8" LG X 9/16" OD (42E) | | | | 2 |
| 39 | H-99001 | | FW 3/8" SS | | | | 2 |
| 40 | H-NJ04C | | JNYL 1/4" - 20 SS | | | | 8 |
| 41 | H-RUE14 | | 3/8" RUE RING COTTER | | | | 1 |
| 42 | M-6391K403 | | .312 ID X .375 OD X .25 LG BEARING SLEEVE | | | | 4 |
| 43 | M-9307K81 | | GROMMET, 3/4" ID X 1-3/8" OD BUNA-N | | | | 2 |
| 44 | M-9434T27 | | 3/4" DIA 1 HOLE TUBE STRAP | | | | 2 |

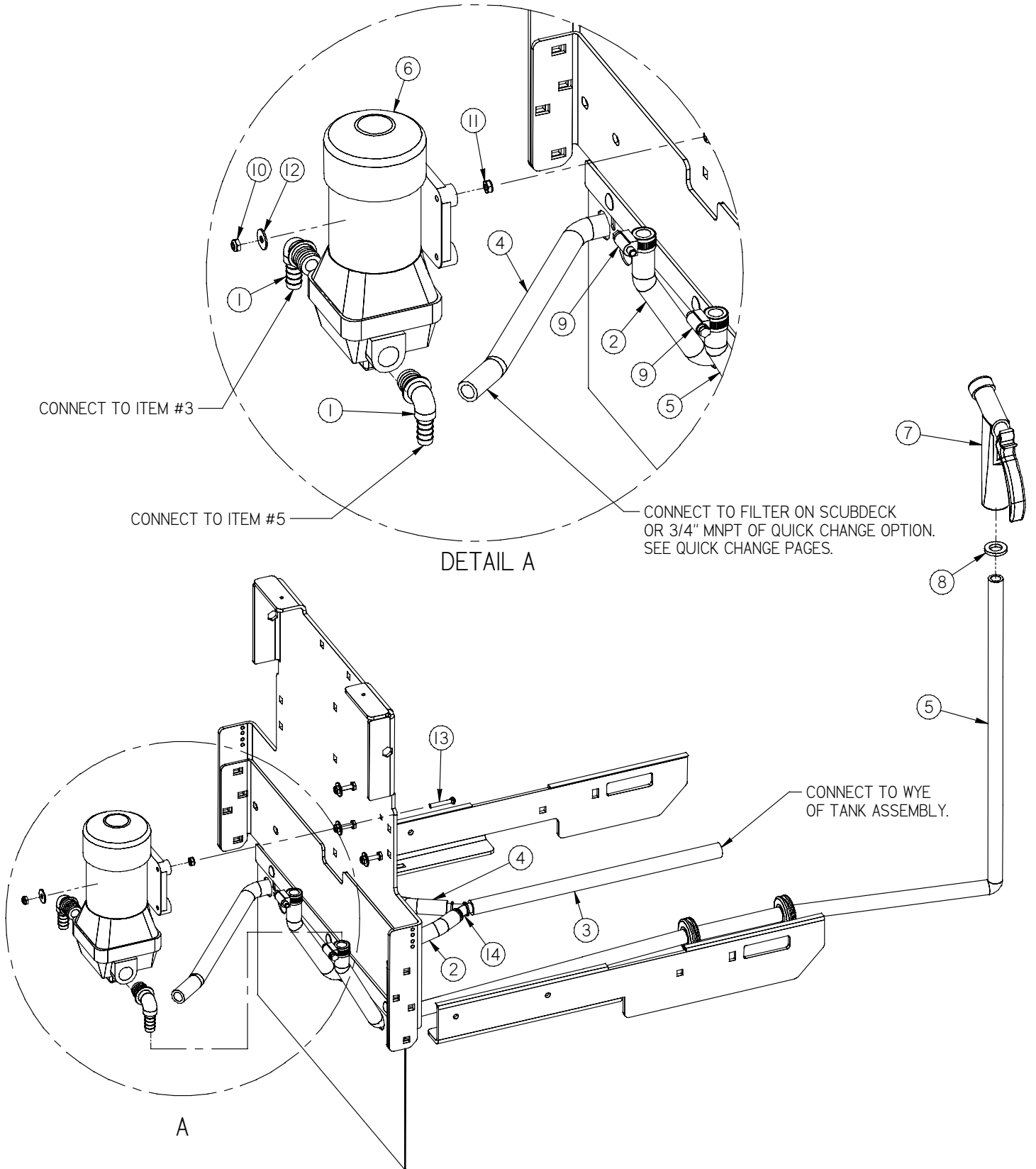
46 Attach Disk Scrub Deck and Bandeau Cover



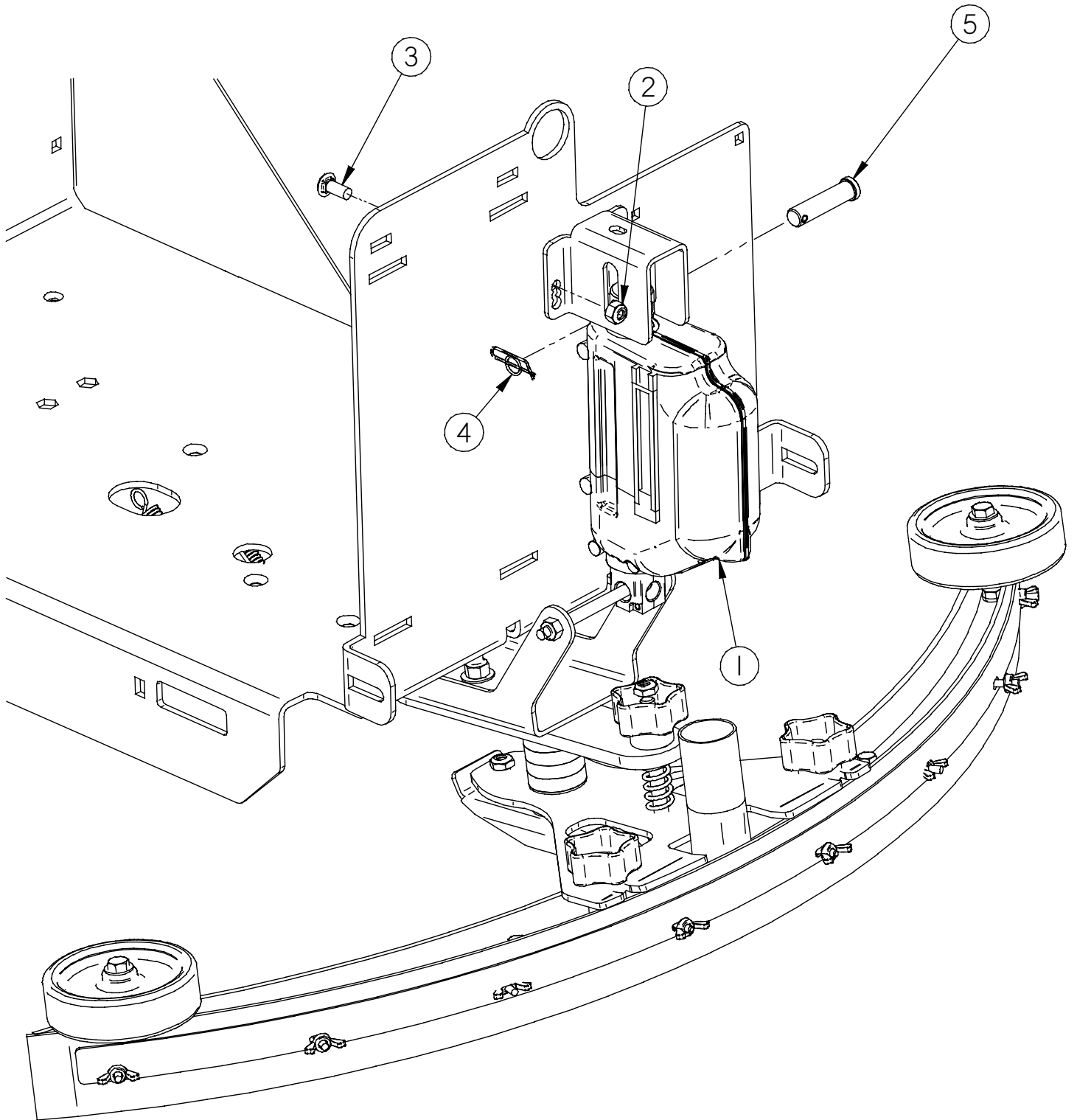
| Item | Part Number | Part Description | Qty |
|------|-------------|--|-----|
| 1 | 253-1142 | BANDEAU COVER, DISK | 1 |
| 2 | H-25336 | .312 ID X .375 OD X .375 LG BEARING SLEEVE | 2 |
| 3 | H-70103 | HCS 3/8"-16 X 3/4" SS | 3 |
| 4 | H-70861 | NYLOK 5/16" - 18 SS | 4 |
| 5 | H-71017 | FW 3/8" X 7/8" SS | 3 |
| 6 | H-71067 | LW 3/8" SS | 3 |
| 7 | H-74431 | CB 5/16"- 18 X 1-1/4" SS | 4 |
| 8 | M-6391K403 | .312 ID X .375 OD X .25 LG BEARING SLEEVE | 2 |
| 9 | M-98126A739 | SHIM, 1/2" ID X 3/4" OD X 1/16" THICK, S/S | 4 |



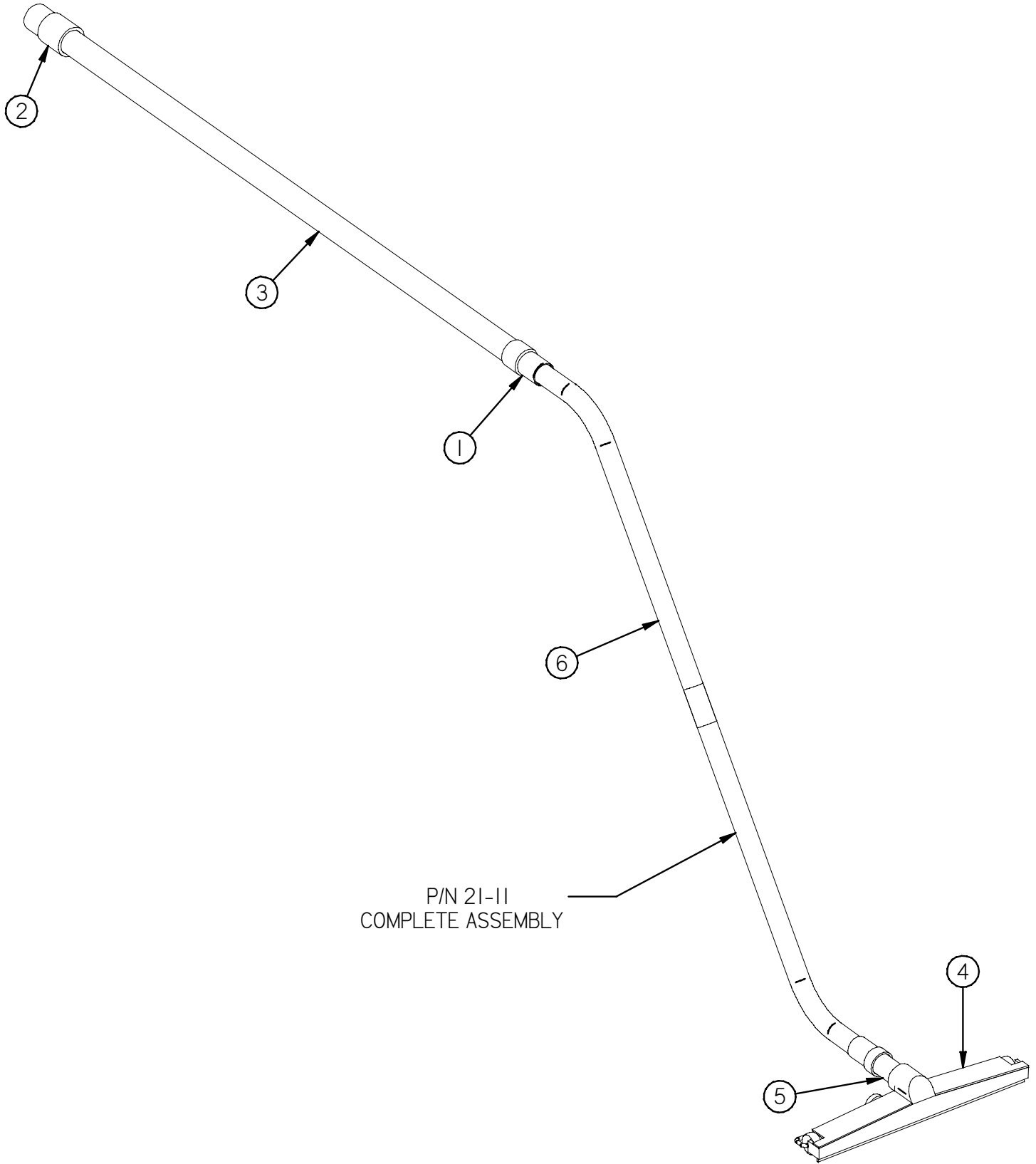
| Item | Part Number | Part Description | Optional P/N | Optional Description | Qty |
|------|-------------|--|--------------|----------------------------|-----|
| 1 | 253-1143 | BANDEAU COVER, CYLINDRICAL | 253-1144 | BANDEAU COVER, SIDE BROOMS | 1 |
| 2 | H-25336 | .312 ID X .375 OD X .375 LG BEARING SLEEVE | | | 2 |
| 3 | H-70103 | HCS 3/8"-16 X 3/4" SS | | | 3 |
| 4 | H-70861 | NYLOK 5/16" - 18 SS | | | 2 |
| 5 | H-71017 | FW 3/8" X 7/8" SS | | | 3 |
| 6 | H-71067 | LW 3/8" SS | | | 3 |
| 7 | H-74431 | CB 5/16"- 18 X 1-1/4" SS | | | 4 |
| 8 | H-98025 | FW 3/8" GRADE 8 | | | 2 |
| 9 | H-NJ05C | JNYL 5/16"- 18 SS | | | 2 |
| 10 | M-6391K403 | .312 ID X .375 OD X .25 LG BEARING SLEEVE | | | 2 |
| 11 | M-98126A739 | SHIM, 1/2" ID X 3/4" OD X 1/16" THICK, S/S | | | 2 |



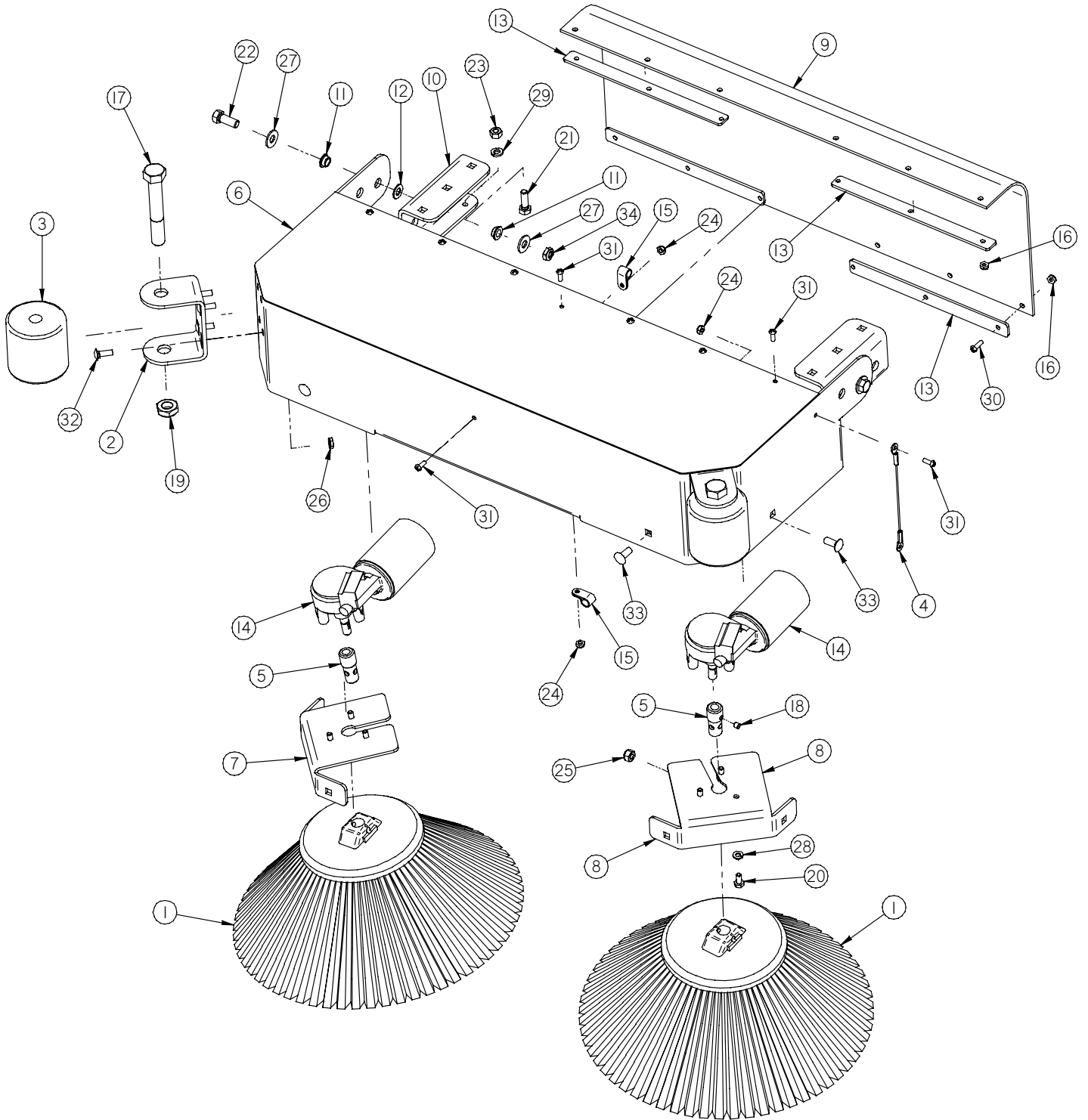
| Item | Part Number | Part Description | Qty |
|------|-------------|--|-----|
| 1 | 21-1601 | 1/2" BARBED ELBOW (PLASTIC) | 2 |
| 2 | 253-1609 | 1/2" ID X 12-1/4 " LG WIRE REINF. CLEAR TUBE | 1 |
| 3 | 253-1613 | 1/2" ID X 13-1/2" LG WIRE REINF. CLEAR TUBE | 1 |
| 4 | 253-1614 | 1/2" ID X 24" LG WIRE REINF. CLEAR TUBE | 1 |
| 5 | 290-8960 | GARDEN HOSE | 1 |
| 6 | 5-891 | PUMP, WATER JET | 1 |
| 7 | 5-895 | SPRAY NOZZLE | 1 |
| 8 | H-0491686 | .625 ID X 1.125 OD RUBBER WASHER | 1 |
| 9 | H-62005 | HOSE CLAMP 5/8"- 1-1/2" SS | 2 |
| 10 | H-70858 | NYLOK #10-32 SS | 4 |
| 11 | H-70923 | KN #10-32 SS | 4 |
| 12 | H-71010 | FW #10 .218 x .687 S/S | 4 |
| 13 | H-72522 | CB #10-32 X 1-1/4" SS | 4 |
| 14 | M-5463K727 | WYE, 1/2", NYLON | 1 |



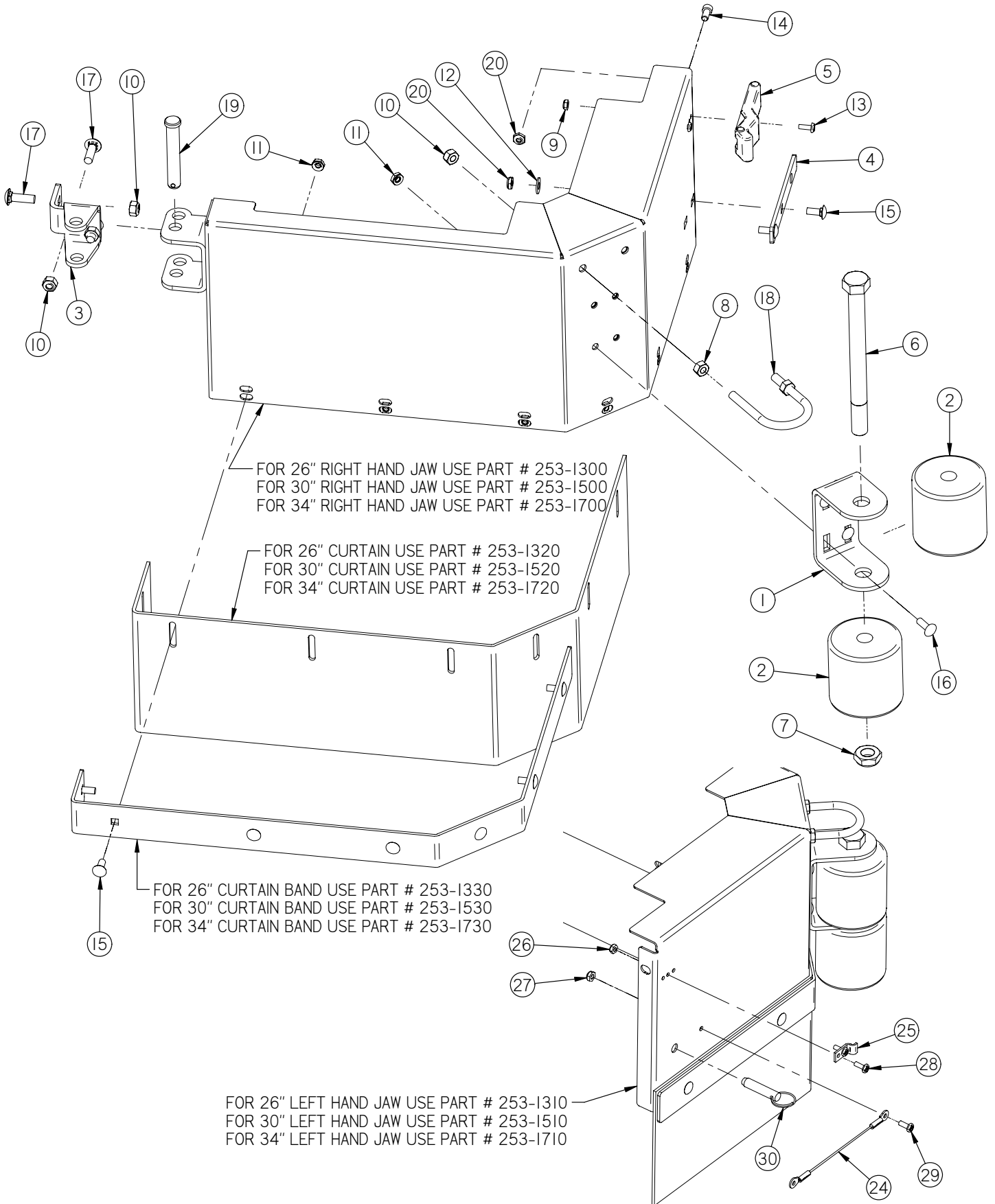
| Item | Part Number | Part Description | Qty |
|------|-------------|------------------------------------|-----|
| 1 | 253-2240 | 2" STROKE 24V ACTUATOR 450 LB LOAD | 1 |
| 2 | H-70861 | NYLOK 5/16" - 18 SS | 2 |
| 3 | H-74429 | CB 5/16" - 18 X 3/4" SS | 2 |
| 4 | H-RUE22 | 1/2" RUE RING COTTER | 1 |
| 5 | H-ZCP228 | CLEVIS PIN, 1/2" OD X 2" LG | 1 |



| Item | Part Number | Part Description | Qty |
|------|-------------|-------------------------------------|-----|
| 1 | 21-4072 | HOSE CUFF, 1 1/2" | 1 |
| 2 | 290-7212 | 1-1/2" - 2" HOSE CUFF | 1 |
| 3 | 5-883 | HOSE, VACUUM, 1-1/2" X 15', W/CUFFS | 1 |
| 4 | 5-889 | VACUUM NOZZLE | 1 |
| 5 | 7-884 | COUPLER, S/S | 1 |
| 6 | 7-887 | TWO PIECE CHROME VAC WAND | 1 |



| Item | Part No. | Part Description | Qty. |
|------|-----------|--|------|
| 1 | 1-402 | SIDE BROOM POLYPROPYLENE | 2 |
| 2 | 21-1126 | ROLLER BRACKET | 2 |
| 3 | 21-1127 | ROLLER | 2 |
| 4 | 21-4060 | 6" LANYARD | 2 |
| 5 | 253-2443 | COUPLER | 2 |
| 6 | 253-4422 | 27" SIDE BROOM LIFT ARM | 1 |
| 7 | 253-4427 | BRACKET, RIGHT | 1 |
| 8 | 253-4428 | BRACKET, LEFT | 1 |
| 9 | 253-4429 | SIDE BROOM CURTAIN | 1 |
| 10 | 253-4435 | SIDE BRROM LIFT BRACKET | 2 |
| 11 | 290-1233 | 3/8" ID, 1/2" OD, 1/4" LG BEARING | 4 |
| 12 | 290-1247 | FW BRONZE .75 OD X .375 ID X .0625 THK | 2 |
| 13 | 4-529 | CURTAIN CLAMP | 4 |
| 14 | 8-220 | SIDE BROOM MOTOR | 2 |
| 15 | H-0127288 | #6 3/8" RUBBER LOOP CLAMP | 2 |
| 16 | H-0129155 | JNYL #10-32, 18-8 S/S | 12 |
| 17 | H-11319 | HB 5/8"- 11 X 4" | 2 |
| 18 | H-25379 | SETSCREW, KCP, 1/4"-20 X 1/4" | 2 |
| 19 | H-37038 | JNYL 5/8"- 11 | 2 |
| 20 | H-38558 | HCS M6-1.0 X 14 | 6 |
| 21 | H-70055 | HCS 5/16"- 18 X 1" SS | 2 |
| 22 | H-70105 | HCS 3/8"- 16 X 1" SS | 2 |
| 23 | H-70711 | HN 5/16"- 18 SS | 2 |
| 24 | H-70858 | NYLOK #10-32 SS | 4 |
| 25 | H-70861 | NYLOK 5/16" - 18 SS | 4 |
| 26 | H-70925 | KN 1/4-20 S/S | 8 |
| 27 | H-71017 | FW 3/8" X 7/8" SS | 4 |
| 28 | H-71063 | LW #6 SS | 6 |
| 29 | H-71065 | LW 5/16" SS | 2 |
| 30 | H-71614 | RPH #10-32 X 5/8" SS | 6 |
| 31 | H-72515 | RPH #10-32 X 1/2" SS | 10 |
| 32 | H-74419 | CB 1/4"- 20 X .75" SS | 8 |
| 33 | H-74429 | CB 5/16"- 18 X 3/4" SS | 4 |
| 34 | H-NJ06C | JNYL 3/8- 16 SS | 2 |



RIGHT JAW PARTS LIST

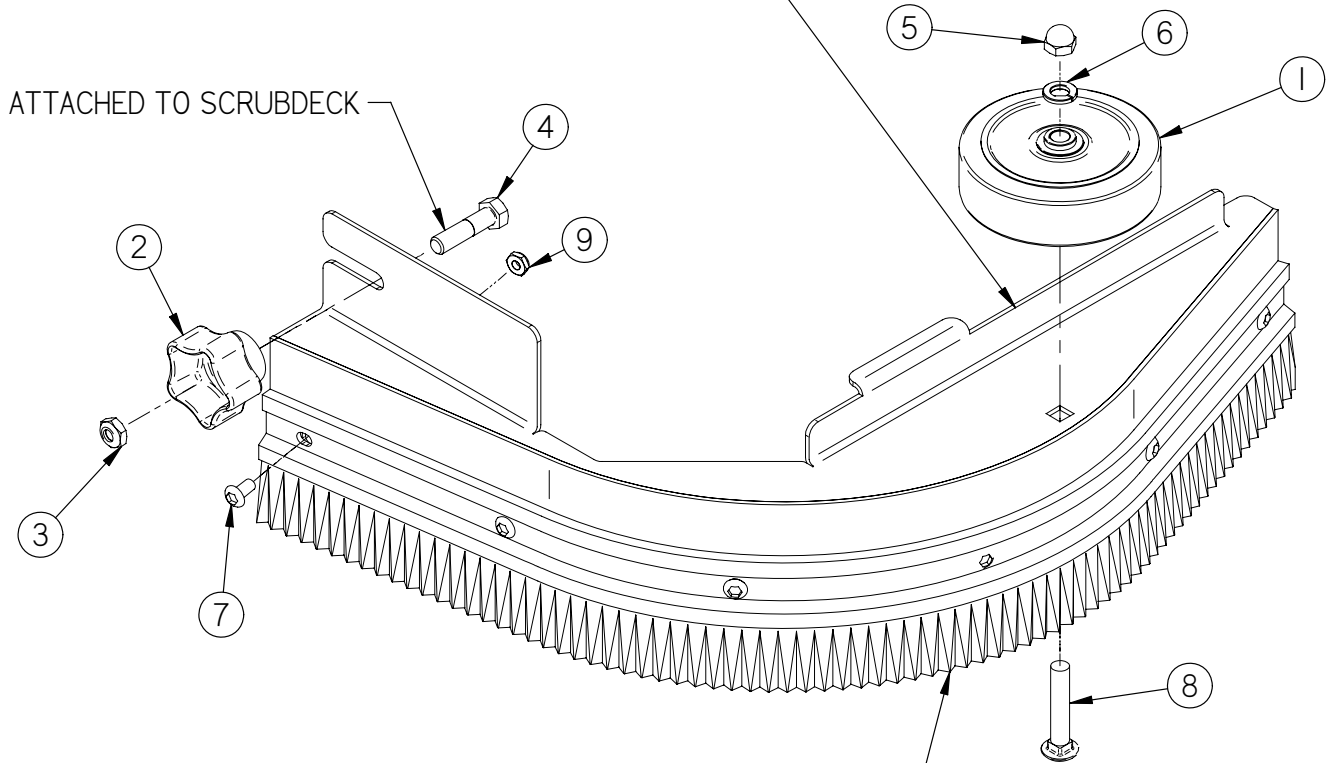
| Item | Part Number | Part Description | Qty |
|------|-------------|----------------------------|-----|
| 1 | 21-1126 | ROLLER BRACKET | 1 |
| 2 | 21-1127 | ROLLER | 2 |
| 3 | 253-1160 | JAW HINGE, INNER | 1 |
| 4 | 253-1350 | JAW LOCK | 1 |
| 5 | 4-124 | LATCH | 1 |
| 6 | H-13327 | HB 5/8"- 11 X 7.0" | 1 |
| 7 | H-37038 | JNYL 5/8"- 11 | 1 |
| 8 | H-70711 | HN 5/16"- 18 SS | 2 |
| 9 | H-70856 | NYLOK #8-32 SS | 2 |
| 10 | H-70861 | NYLOK 5/16" - 18 SS | 5 |
| 11 | H-70925 | KN 1/4-20 S/S | 11 |
| 12 | H-71013 | FNW 1/4" X 5/8" SS | 2 |
| 13 | H-72398 | PPH #8-32 X 1/2" S/S | 2 |
| 14 | H-73459 | SHCS 1/4-20 X 1/2 SS | 1 |
| 15 | H-74418 | CB 1/4"- 20 X 5/8" S/S | 9 |
| 16 | H-74419 | CB 1/4"- 20 X .75" SS | 4 |
| 17 | H-74430 | CB 5/16"- 18 X 1" SS | 3 |
| 18 | H-74631 | 5/16-18 X 2 1/4" SS U BOLT | 1 |
| 19 | H-CP238 | 1/2" X 3" CLEVIS PIN | 1 |
| 20 | H-NJ04C | JNYL 1/4" - 20 SS | 3 |

LEFT JAW PARTS LIST

SAME PARTS AS RIGHT JAW EXCEPT WHAT'S LISTED BELOW

| | | | |
|----|-------------|-----------------------------|---|
| 24 | 21-4060 | 6" LANYARD | 1 |
| 25 | 4-124 | CLIP, LATCH | 1 |
| 26 | H-70856 | NYLOK #8-32 SS | 1 |
| 27 | H-70858 | NYLOK #10-32 SS | 1 |
| 28 | H-72398 | PPH #8-32 X 1/2" S/S | 1 |
| 29 | H-72515 | PPH #10-32 X 1/2" S/S | 1 |
| 30 | M-98404A368 | DETENT RING PIN, 3/8" X .8" | 1 |

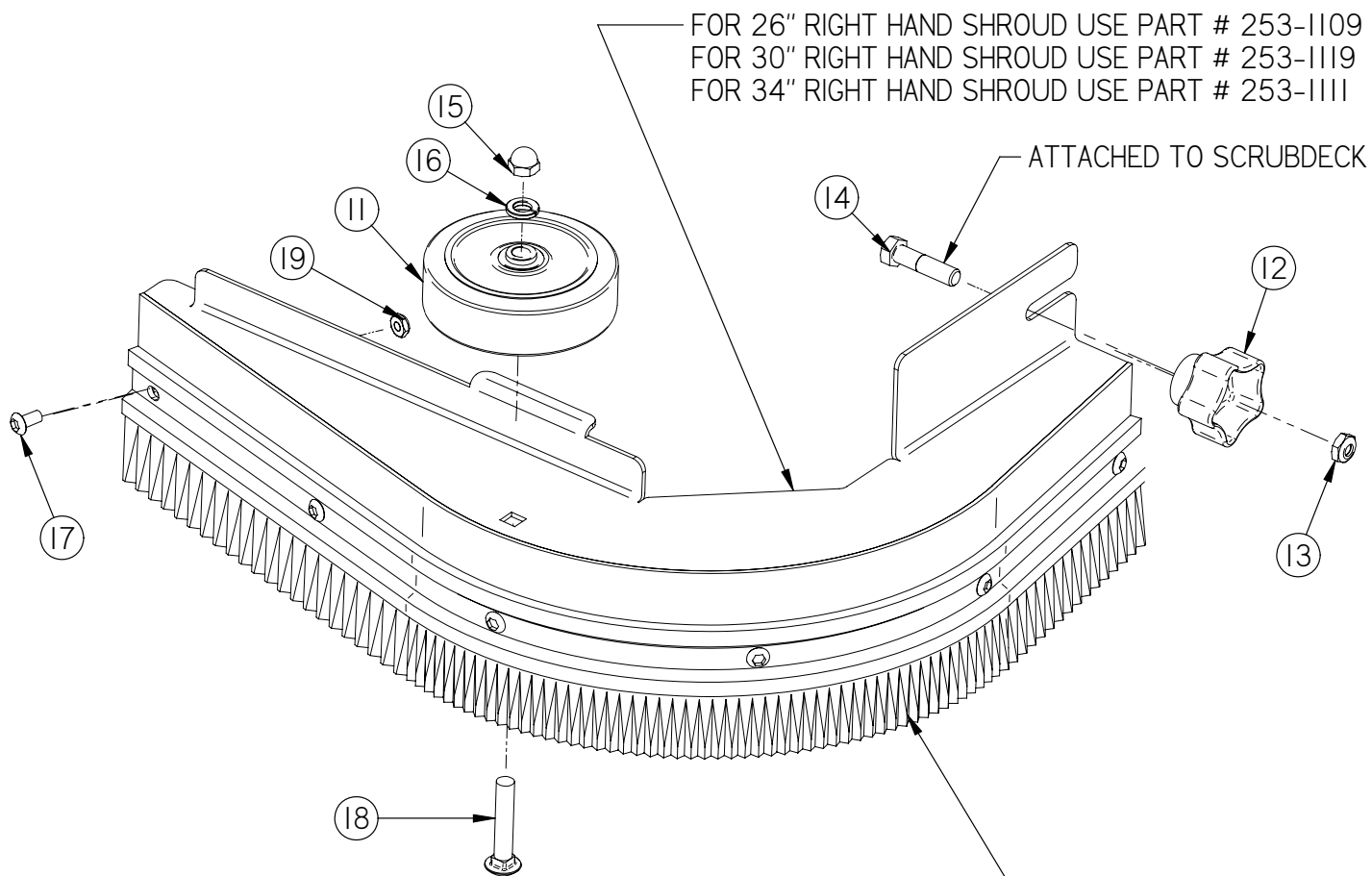
FOR 26" LEFT HAND SHROUD USE PART # 253-1108
 FOR 30" LEFT HAND SHROUD USE PART # 253-1118
 FOR 34" LEFT HAND SHROUD USE PART # 253-1110



FOR 26" LEFT HAND SHROUD CURTAIN USE PART # 253-0018
 FOR 30" LEFT HAND SHROUD CURTAIN USE PART # 253-0018
 FOR 34" LEFT HAND SHROUD CURTAIN USE PART # 253-0015

LEFT SHROUD

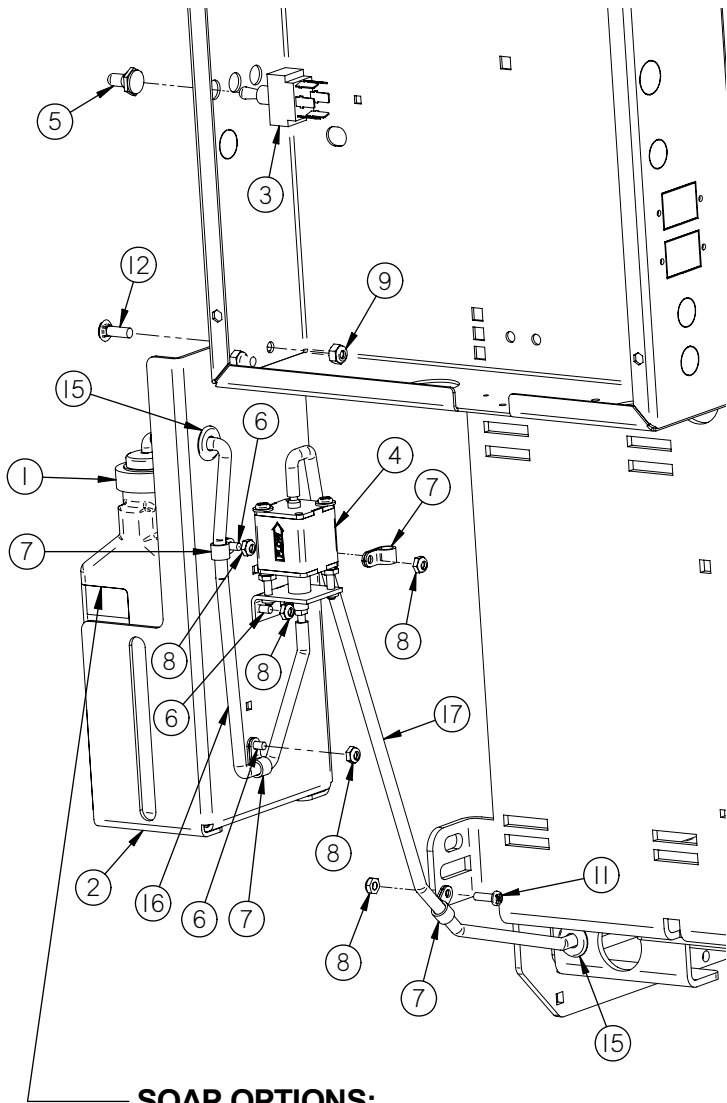
| Item | Part Number | Part Description | Qty |
|------|-------------|-----------------------------|-----|
| 1 | 190-3030 | 4.0" WHEEL (GRAY) | 1 |
| 2 | 290-5787 | STAR KNOB, 3/8-24 THREAD | 1 |
| 3 | H-0171004 | JNYL 3/8- 24 SS | 1 |
| 4 | H-01729 | HCS 3/8"- 24 X 1-1/2" SS | 1 |
| 5 | H-37710 | 3/8-16 LC ACORN NUT, NICKEL | 1 |
| 6 | H-71067 | LW 3/8" SS | 1 |
| 7 | H-73752 | BHSCS 1/4 - 20 X 5/8" SS | 6 |
| 8 | H-74439 | CB 3/8"- 16 X 2.0" SS | 1 |
| 9 | H-NJ04C | JNYL 1/4" - 20 SS | 6 |



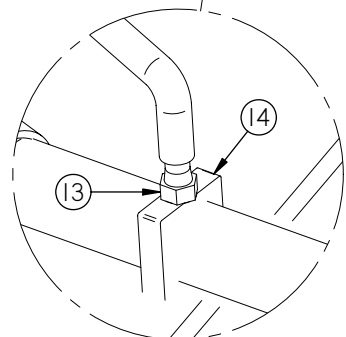
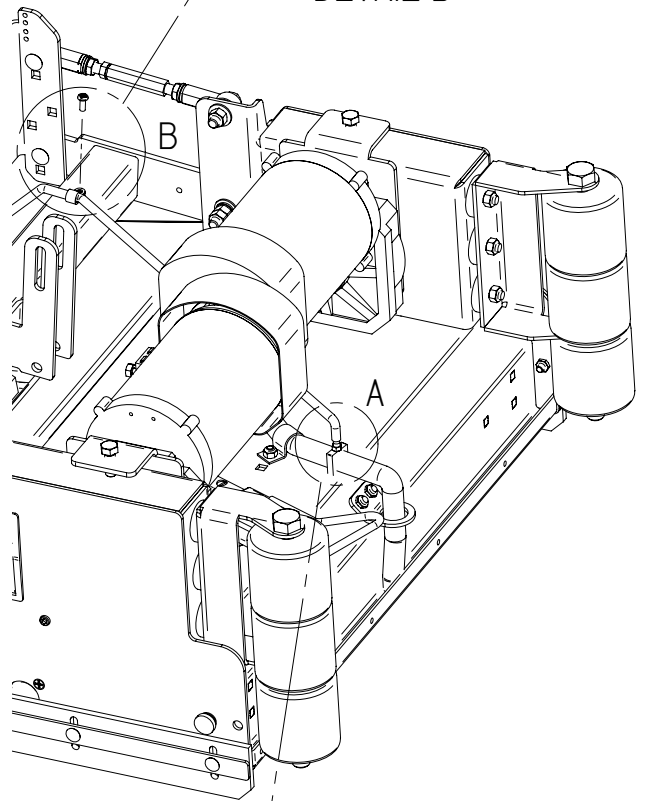
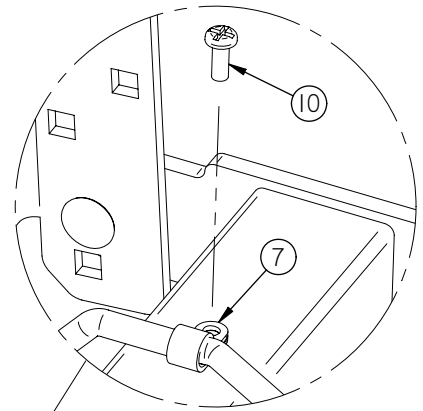
FOR 26" RIGHT HAND SHROUD CURTAIN USE PART # 253-0021
 FOR 30" RIGHT HAND SHROUD CURTAIN USE PART # 253-0019
 FOR 34" RIGHT HAND SHROUD CURTAIN USE PART # 253-0016

RIGHT SHROUD

| Item | Part Number | Part Description | Qty |
|------|-------------|-----------------------------|-----|
| 11 | 190-3030 | 4.0" WHEEL (GRAY) | 1 |
| 12 | 290-5787 | STAR KNOB, 3/8-24 THREAD | 1 |
| 13 | H-0171004 | JNYL 3/8- 24 SS | 1 |
| 14 | H-01729 | HCS 3/8"- 24 X 1-1/2" SS | 1 |
| 15 | H-37710 | 3/8-16 LC ACORN NUT, NICKEL | 1 |
| 16 | H-71067 | LW 3/8" SS | 1 |
| 17 | H-73752 | BHSCS 1/4 - 20 X 5/8" SS | 6 |
| 18 | H-74439 | CB 3/8"- 16 X 2.0" SS | 1 |
| 19 | H-NJ04C | JNYL 1/4" - 20 SS | 6 |



SOAP OPTIONS:
 PC707 - CITRUS GREEN
 PC733 - LOW pH
 PC755 - HIGH POWER
 PC757 - GLOSS
 PC797 - HD



| Item | Part Number | Part Description | Qty |
|------|-------------|--|-----|
| 1 | 253-0115 | SOAPJUG CAP | 1 |
| 2 | 253-1760 | SOAP TRAY, SINGLE | 1 |
| 3 | 253-283 | SWITCH, TOGGLE, ON/OFF/ON (DPDT) | 1 |
| 4 | 253-8500 | SOAP PUMP, 24V | 1 |
| 5 | H-01198 | PROTECTIVE BOOT, TOGGLE SWITCH, (GREEN) | 1 |
| 6 | H-0172518 | CB #10-32 X 1/2" SS | 5 |
| 7 | H-02239 | 3/8" NYLON LOOP CLAMP | 5 |
| 8 | H-70858 | NYLOK #10-32 SS | 6 |
| 9 | H-70860 | NYLOK 1/4"- 20 SS | 2 |
| 10 | H-72515 | PPH #10-32 X 1/2" S/S | 1 |
| 11 | H-72517 | PPH #10-32 X 5/8" SS | 1 |
| 12 | H-74419 | CB 1/4"- 20 X .75" SS | 2 |
| 13 | M-2974K369 | NYLON BARBED TUBE FITTING, 3/16 ID X 1/16" NPT | 1 |
| 14 | M-5116K46 | 1/2" X 1/2" BARB | 1 |
| 15 | M-9307K23 | GROMMET, RUBBER 3/8 ID X 7/8 OD X 1/8 TH. | 3 |
| 16 | T-018CR2000 | 3/16" ID X 20" LG. C.R. TUBE | 1 |
| 17 | T-018CR7200 | 3/16" ID X 72" LG. C.R. TUBE | 1 |

STANDARD WARRANTY POLICY (RPS Corporation)

RPS Corporation warrants its machines, parts and accessories to be free of manufacturer's defects for the periods specified below. Warranty will be granted at the sole discretion of RPS Corporation and is subject to final claim and parts review by R.P.S. Corporation and its vendors. This policy is effective January 1, 2010 and is subject to change on production units at a future date.

COVERAGE, EXCLUSIONS AND LIMITATIONS:

| | |
|-------------|---|
| Coverage: | All Models sold (Sweepers, Scrubbers, Burnishers) |
| Parts: | 36 months / 1,500 hours on "Power On" hour meter |
| Labor: | 12 months |
| Travel: | 3 months (150 mile maximum) |
| Poly Tanks: | 7 Years |
| OEM Parts: | 3 months |
| Validity: | Fully completed Machine Delivery Form (online or fax) is on record at RPS. |
| Limitation: | Warranty will begin on date of machine installation to end-user or 6 months after shipment from RPS Corp to the distributor if unsold at that time. |

This warranty includes all parts on the machine except normal wear parts. Some of these exceptions are:

1. Any Brooms, Brushes, Pads or Pad Drivers including Center Clip Retainers
 2. Floor Seals, Wipers, Splash Curtains, Squeegees or Gaskets.
 3. Filters, Dust Collection Bags or Screens
 4. The safety pins design to fail in shear, which are a fail-safe device
 5. Belts, Hoses or Tubing.
 6. Caster Wheels, Tires or internal tire tubes.
 7. Vacuum motors with evidence of water/foam passage or more than 450 hours
 8. Lights (Strobe, Headlights or bulbs).
 9. The Batteries (see below).
- ❖ **NOT COVERED:** Routine maintenance, adjustments or parts damaged from abuse, neglect, improper use of the machine, or lack of scheduled "daily, weekly, monthly" maintenance in accordance with our published PM Sheets.

POLY TANKS: 7 Years Coverage against leakage due to manufacturer's defect in materials or workmanship. **NOTE:** Freight coverage for 3-Years under the parts section of warranty.

BATTERIES: Warranted through battery manufacturer for **One (1) Year** (prorated) from the date of delivery. The battery manufacturer approves or denies the warranty coverage after analysis. We rely on solely on their review. **NOTE NOT COVERED:** Damage from lack of water, failure to use OEM charger, or non-distilled water.

