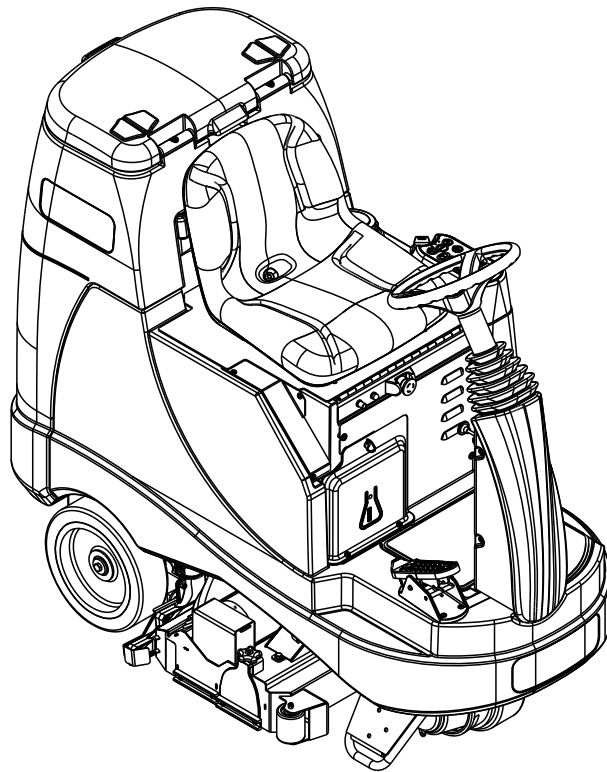


ES4000



Instructions For Use - Original Instructions
Instrucciones de uso
Mode d' emploi

Advance Models: 56344200, 56344210



A-English
B- Español
C-Français

TABLE OF CONTENTS

	page
Introduction.....	A-2
Cautions and Warnings.....	A-3
Know Your Machine.....	A-4 - A-5
Control Panel.....	A-6
Prepare the Machine for Use	
Install the Batteries.....	A-7
Filling the Solution Tank.....	A-8
Pre-Spraying the Carpet.....	A-8
Plan for Cleaning.....	A-8
Detergent System Preparation & Use.....	A-8 - A-9
Operating the Machine	
Operating the Machine-Sweep Mode.....	A-10 - A-11
Operating the Machine-Extract Mode.....	A-12 - A-13
Using Attachments.....	A-12
After Use.....	A-14
Maintenance Schedule.....	A-14
Vacuum Shoe Maintenance.....	A-14
Spray Nozzle Maintenance.....	A-14
Lubricating the Machine.....	A-14
Electromagnetic Brake.....	A-14
Cleaning the Vacuum Motor Filters.....	A-15
Power Brush Maintenance.....	A-15
Removing the Front Brush.....	A-15
Removing the Rear Brush.....	A-15
Removing the Vacuum Shoes.....	A-16
Charging the Batteries.....	A-17
Check the Battery Electrolyte Level.....	A-17
Troubleshooting.....	A-18
Technical Specifications.....	A-19

INTRODUCTION

This manual will help you get the most from your Advance Rider Extractor. Read it thoroughly before operating the machine.

Note: Bold numbers in parentheses indicate an item illustrated on pages 4-6.

This product is intended for commercial use only.

PARTS AND SERVICE

Repairs, when required, should be performed by your Authorized Advance Service Center, who employs factory trained service personnel, and maintains an inventory of Advance original replacement parts and accessories.

Call the ADVANCE DEALER named below for repair parts or service. Please specify the Model and Serial Number when discussing your machine.

NAME PLATE

The Model Number and Serial Number of your machine are shown on the Nameplate on the machine. This information is needed when ordering repair parts for the machine. Use the space below to note the Model Number and Serial Number of your machine for future reference.

MODEL NUMBER _____

SERIAL NUMBER _____

UNCRATE THE MACHINE

When the machine is delivered, carefully inspect the shipping packaging and the machine for damage. If damage is evident, save the shipping carton (if applicable) so that it can be inspected. Contact the Advance Customer Service Department immediately to file a freight damage claim. Refer to the unpacking instruction sheet included with the machine to remove the machine from the pallet.

WARNING!

The Products sold with this Manual contain or may contain chemicals that are known to certain governments (such as the State of California, as identified in its Proposition 65 Regulatory Warning Law) to cause cancer, birth defects or other reproductive harm. In certain locations (including the State of California) purchasers of these Products that place them in service at an employment job site or a publicly accessible space are required by regulation to make certain notices, warnings or disclosures regarding the chemicals that are or may be contained in the Products at or about such work sites. It is the purchaser's responsibility to know the content of, and to comply with, any laws and regulations relating to the use of these Products in such environments. The Manufacturer disclaims any responsibility to advise purchasers of any specific requirements that may be applicable to the use of the Products in such environments.

CAUTIONS AND WARNINGS

SYMBOLS

Advance uses the symbols below to signal potentially dangerous conditions. Always read this information carefully and take the necessary steps to protect personnel and property.

DANGER !

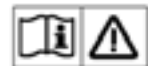
Is used to warn of immediate hazards that will cause severe personal injury or death.

WARNING !

Is used to call attention to a situation that could cause severe personal injury.

CAUTION !

Is used to call attention to a situation that could cause minor personal injury or damage to the machine or other property.



Read all instructions before using.

GENERAL SAFETY INSTRUCTIONS

Specific Cautions and Warnings are included to warn you of potential danger of machine damage or bodily harm.

WARNING !

- This machine shall be used only by properly trained and authorized persons.
- While on ramps or inclines, avoid sudden stops when loaded. Avoid abrupt sharp turns. Use low speed down hills. Clean only while ascending (driving up) the ramp.
- Keep sparks, flame and smoking materials away from batteries. Explosive gases are vented during normal operation.
- Charging the batteries produces highly explosive hydrogen gas. Charge batteries only in well-ventilated areas, away from open flame. Do not smoke while charging the batteries.
- Remove all jewelry when working near electrical components.
- Turn the key switch off (O) and disconnect the batteries before servicing electrical components.
- Never work under a machine without safety blocks or stands to support the machine.
- Do not dispense flammable cleaning agents, operate the machine on or near these agents, or operate in areas where flammable liquids exist.
- Do not clean this machine with a pressure washer.
- Do not use for cleaning purposes on surfaces having a gradient exceeding that marked on the machine

CAUTION !

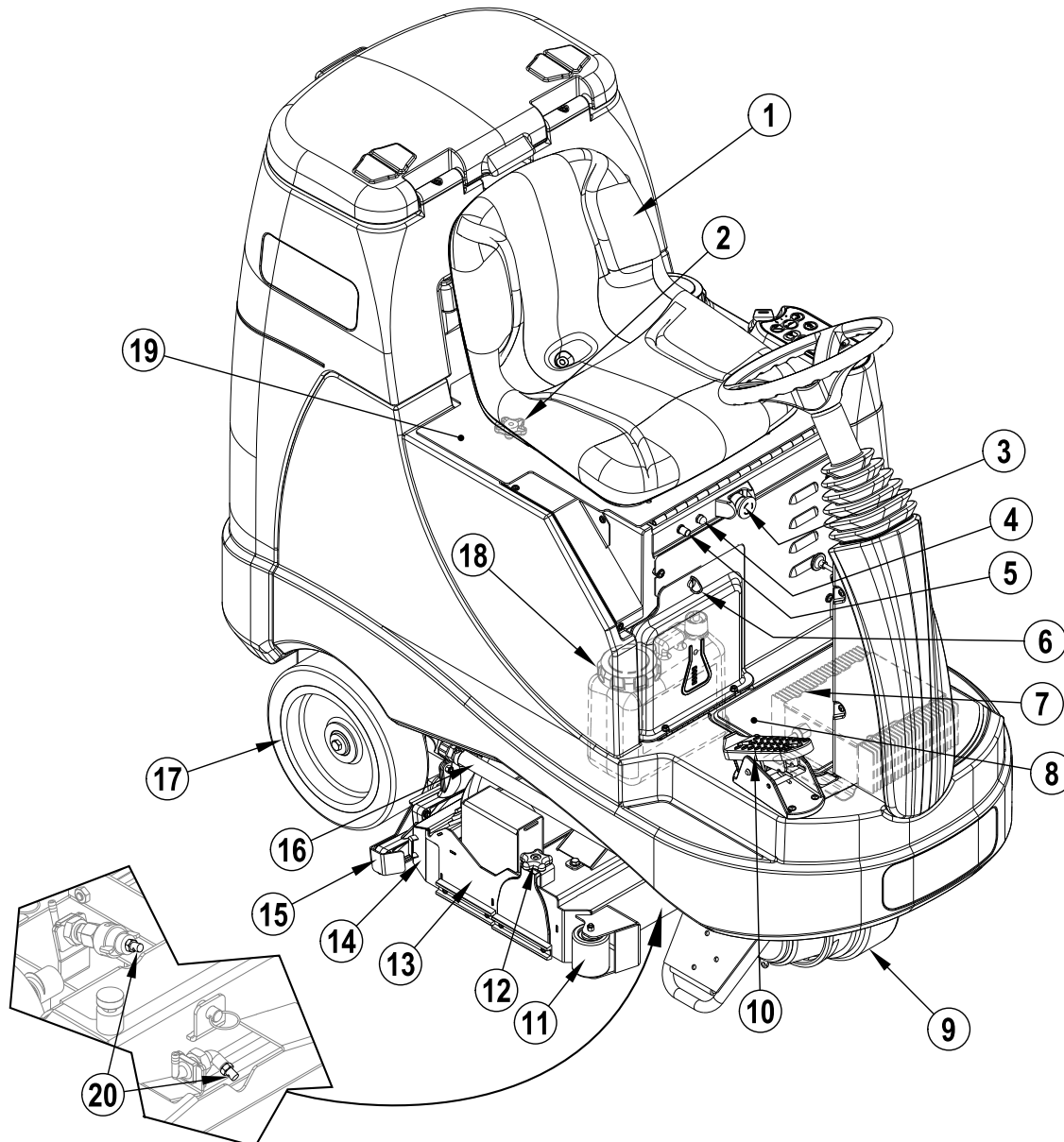
- This machine is not approved for use on public paths or roads.
- This machine is not suitable for picking up hazardous dust.
- When operating this machine, ensure that third parties, particularly children, are not endangered.
- Before performing any service function, carefully read all instructions pertaining to that function.
- Do not leave the machine unattended without first turning the key switch off (O), removing the key and applying the parking brake.
- Turn the key switch off (O) and remove the key, before changing the brushes, and before opening any access panels.
- Take precautions to prevent hair, jewelry, or loose clothing from becoming caught in moving parts.
- Use caution when moving this machine in below freezing temperature conditions. Any water in the solution, recovery or detergent tanks or in the hose lines could freeze, causing damage to valves and fittings. Flush with windshield washer fluid.
- The batteries must be removed from the machine before the machine is scrapped. The disposal of the batteries should be safely done in accordance with your local environmental regulations.
- All doors and covers are to be positioned as indicated in the instruction manual before using the machine.

SAVE THESE INSTRUCTIONS

KNOW YOUR MACHINE

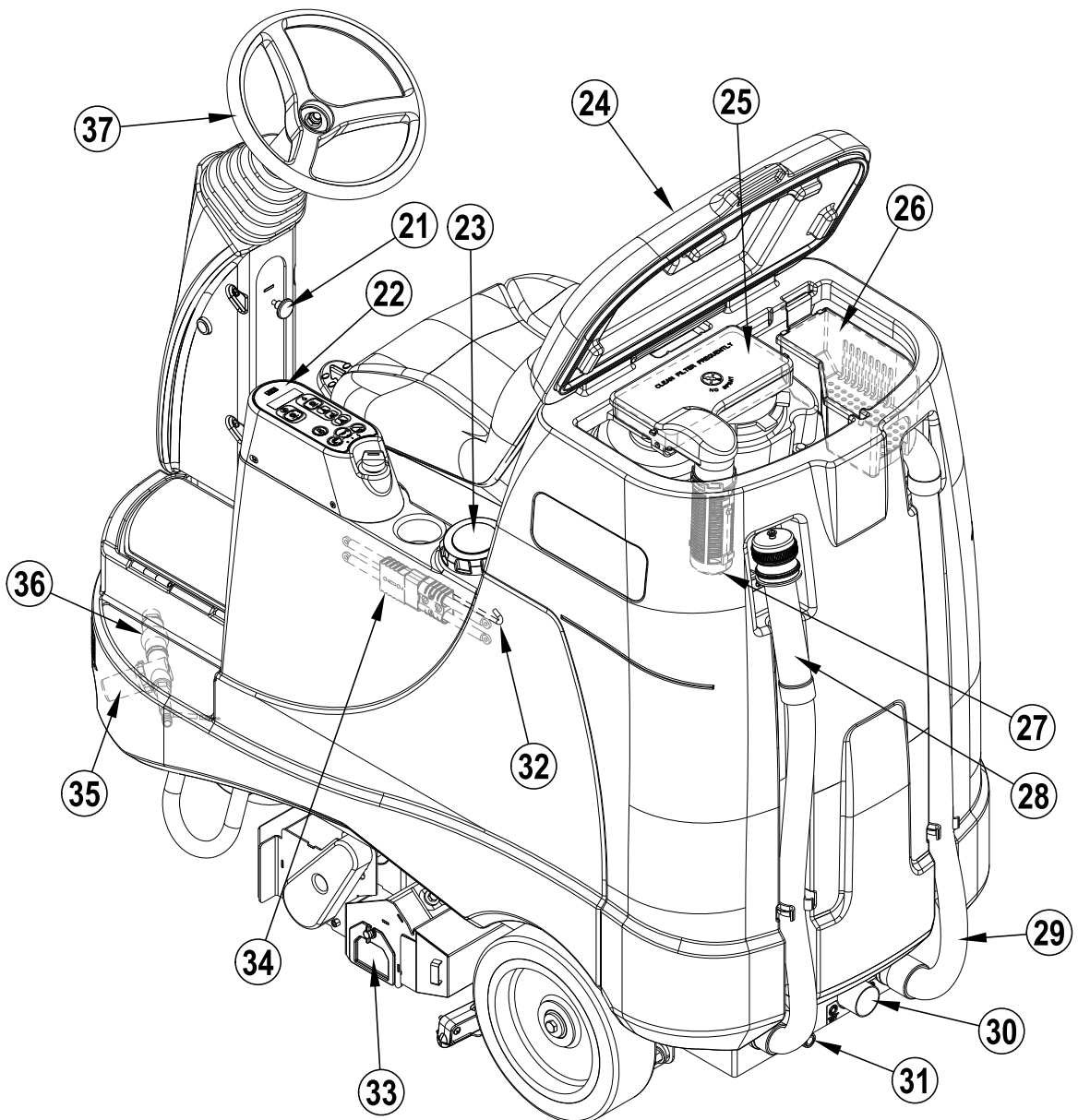
As you read this manual, you will occasionally run across a bold number or letter in parentheses - example: **(2)**. These numbers refer to an item shown on these pages unless otherwise noted. Refer back to these pages whenever necessary to pinpoint the location of an item mentioned in the text. **NOTE:** Refer to the service manual for detailed explanations of each item illustrated on the next 3 pages.

- | | | | |
|----|---|----|---|
| 1 | Operator's Seat | 11 | Front Roller Bumper |
| 2 | Seat Adjustment Knob | 12 | Brush Idler Removal Knob |
| 3 | Emergency Stop | 13 | Brush Deck |
| 4 | Control Circuit Circuit Breaker (10 Amp) | 14 | Debris Hopper |
| 5 | Drive Wheel Circuit Breaker (70 Amp) | 15 | Vacuum Shoes |
| 6 | Detergent Cartridge Access Cover | 16 | Solution Tank Drain Hose |
| 7 | Battery Charger (optional) | 17 | Rear Wheel |
| 8 | Battery Charger Access Door | 18 | Detergent Cartridge |
| 9 | Drive Wheel | 19 | Battery Compartment (under seat) |
| 10 | Drive Pedal, Directional/Speed | 20 | Solution Spray Jets |



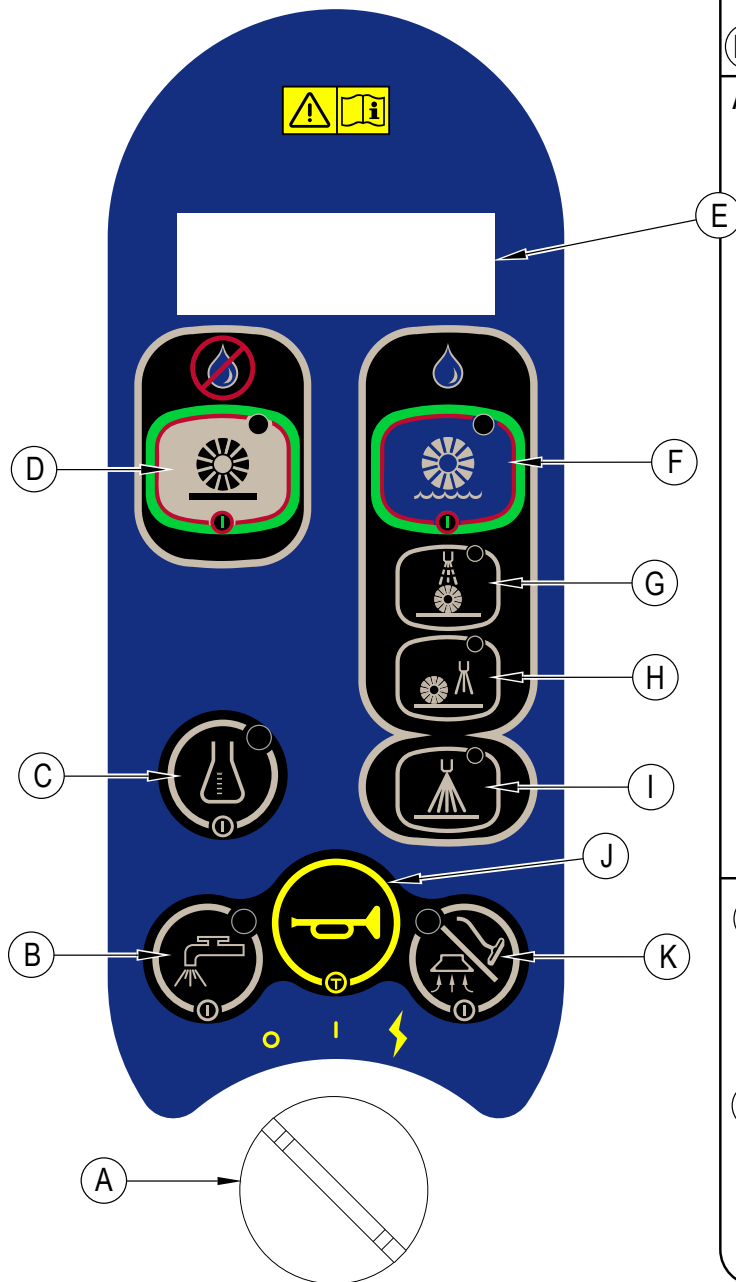
KNOW YOUR MACHINE

- 21 Steering Wheel Tilt Adjust Knob
- 22 Control Panel
- 23 Solution Tank Fill Cover
- 24 Recovery Tank Cover
- 25 Vacuum Motor Filter Housing
- 26 Strainer Basket
- 27 Recovery Tank Shutoff Float
- 28 Recovery Tank Drain Hose
- 29 Recovery Hose
- 30 Dry Pick Up Connection
- 31 Accessory Port
- 32 Seat Prop-Rod
- 33 Rear Brush Access Panel
- 34 Machine Battery Connector
- 35 Solution Filter
- 36 Solution Shutoff Valve
- 37 Steering Wheel
- 38 Wet Pick Up Connection

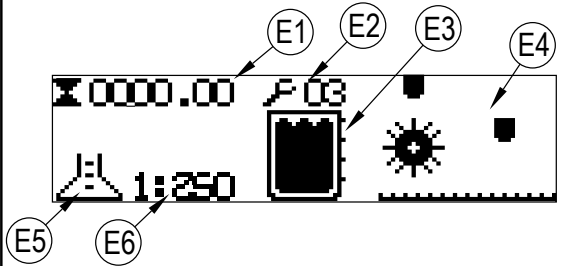


CONTROL PANEL

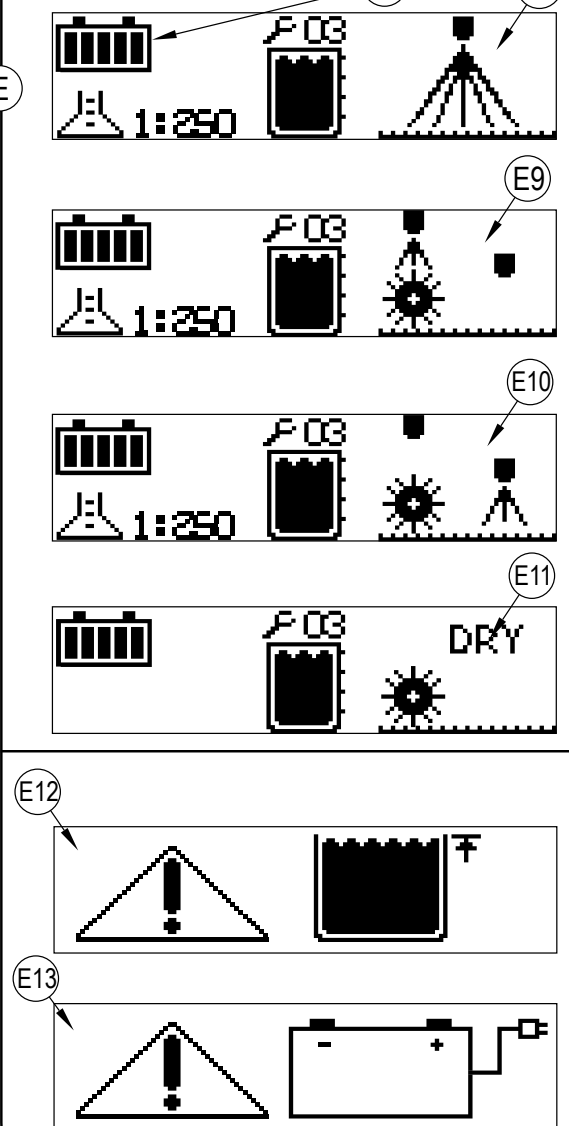
- | | | | |
|-----|-------------------------------|---|-------------------------|
| A | Key Switch / Main Power | F | Extract ON / OFF switch |
| B | Solution ON / OFF Switch | G | Maintenance Mode Switch |
| C | Detergent ON / OFF Switch | H | Restoration Mode Switch |
| D | Sweep ON / OFF Switch | I | Prespray Mode Switch |
| E | LCD Display | J | Horn Switch |
| E1 | Hour Meter | K | Vacuum ON / OFF Switch |
| E2 | Fault Codes | | |
| E3 | Solution Tank Level Indicator | | |
| E4 | Transport Mode Indicator | | |
| E5 | Detergent Indicator | | |
| E6 | Detergent Ratio Indicator | | |
| E7 | Battery Indicator | | |
| E8 | Prespray Mode Indicator | | |
| E9 | Maintenance Mode Indicator | | |
| E10 | Restore Mode Indicator | | |
| E11 | Sweep Mode Indicator | | |
| E12 | Recovery Tank Full Indicator | | |
| E13 | Low Voltage Cutout Indicator | | |



APPEARS FOR FIRST 10 SECONDS



APPEARS AFTER 10 SECONDS



BATTERIES

If your machine shipped with batteries installed do the following:

- Check that the batteries are connected to the machine (34).
- Turn ON the Key Switch (A) and check the Battery Indicator (E7). If the gauge is completely filled the batteries are ready for use. If the gauge is less than full the batteries should be charged before use. See the "Charging The Batteries" section.
- **IMPORTANT!** IF YOUR MACHINE HAS AN ONBOARD BATTERY CHARGER REFER TO THE OEM PRODUCT MANUAL FOR INSTRUCTIONS REGARDING SETTING THE CHARGER FOR BATTERY TYPE.

See TSBUS2008-984 for the latest battery charger algorithms.

If your machine shipped without batteries installed do the following:

- Consult your Authorized Advance dealer for recommended batteries.
- Install the batteries by following the instructions below.
- **DO NOT** install two 12 volt batteries in your machine. This affects the stability of the machine.
- **IMPORTANT!** IF YOUR MACHINE HAS AN ONBOARD BATTERY CHARGER REFER TO THE OEM PRODUCT MANUAL FOR INSTRUCTIONS REGARDING SETTING THE CHARGER FOR BATTERY TYPE.

See TSBUS2008-984 for the latest battery charger algorithms.

INSTALL THE BATTERIES

WARNING !

Use extreme caution when working with batteries. Sulfuric acid in batteries can cause severe injury if allowed to contact the skin or eyes. Explosive hydrogen gas is vented from inside the batteries through openings in the battery caps. This gas can be ignited by any electrical arc, spark or flame.

When Servicing Batteries...

- * Remove all jewelry.
- * Do not smoke.
- * Wear safety glasses, a rubber apron and rubber gloves.
- * Work in a well-ventilated area.
- * Do not allow tools to touch more than one battery terminal at a time.
- * ALWAYS disconnect the negative (ground) cable first when replacing batteries to prevent sparks.
- * ALWAYS connect the negative cable last when installing batteries.

CAUTION !

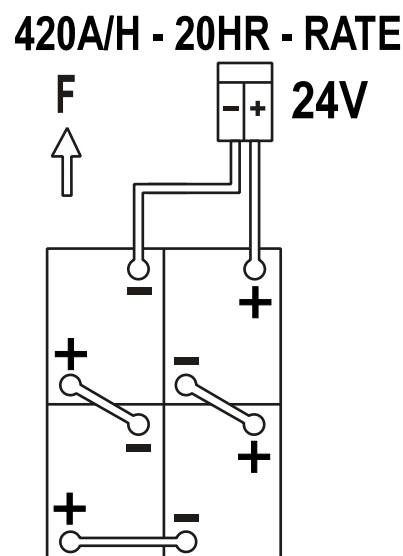
Electrical components in this machine can be severely damaged if the batteries are not installed and connected properly. Batteries should be installed by Advance or by a qualified electrician.

- 1 Turn the Key Switch (A) off (O) and remove the key. Then swing open the Battery Compartment Cover (19) and set the Prop-Rod (32).
- 2 Using (2) people and an appropriate lifting strap, carefully lift the batteries into the compartment tray exactly as shown. Refer to decal 56601416 battery cable layout.
- 3 See Figure 1. Install battery cables as shown and tighten the nuts on the battery terminals.
- 4 Install the battery boots and secure tightly to the battery cables with the supplied tie straps.
- 5 Connect the battery pack connector to the machine connector (34) and close the battery compartment cover.

CAUTION !

Before changing batteries, consult TSBUS2008-984 or call Technical Service at USA: 800-989-2235 / Canada: 800-668-8400 / Mexico: +52 (55)2591 1002 ext.228

FIGURE 1



CAUTION: Before changing batteries, consult TSBUS2008-984 or call Technical Service at USA: 800-989-2235 / Canada: 800-668-8400 Mexico: +52 (55) 2591 1002 ext.228

FILLING THE SOLUTION TANK (REQUIRED FOR BOTH SWEEP MODE AND EXTRACT MODE)

- 1 Read the cleaning chemical label and calculate the proper amount of chemical to mix for a tank that holds 28 US gallons (110 liters).
- 2 Open the Solution Tank Cover (23).
- 3 Fill the tank 1/3 full of water, add the cleaning chemical then fill the tank to 7.62cm(3 inches) from the top of the tank opening.

NOTE: The machine can either be used conventionally with detergent mixed in the tank or the detergent system can be used. When using the detergent dispensing system do not mix detergent in the tank, plain water should be used.

CAUTION!

Use low-sudsing, liquid detergents designed for carpet extraction. Water temperature should not exceed 130 degrees Fahrenheit (54.4 degrees Celsius).

BEFORE USING THE ES4000

Thorough vacuuming of the carpet to be cleaned is not necessary before using the ES4000 automatic extractor, due to the on-board sweeping broom and debris hopper. The area should be cleaned in Sweep Mode before being cleaned in Extract Mode.

PRE-SPRAYING THE CARPET

Pre-spray spots and heavy traffic areas before extracting. Use a hand-held bottle sprayer or a pressurized "Hudson" type sprayer. Mix the pre-spray according to the chemical manufacturer's directions.

PLAN FOR CLEANING

Before you begin extracting, look at the area to be cleaned and plan your work. Divide the space into sections. Overlap each pass 2 inches (5 cm).

DETERGENT SYSTEM PREPARATION AND USE (ONLY USED IN EXTRACT MODE)

COMMON INSTRUCTIONS:

Pressing and releasing the Detergent Switch (C) while in Restoration (H), Maintenance (G) or Prespray (I) mode will cause the detergent system to alternately turn on and off. When the detergent system is ON, the detergent pump will be activated at a specific rate while the solution pump is running. The detergent pump will turn OFF whenever the solution pump is not running or when the detergent system is turned OFF. Unless Prespray Mode (I) is selected, the detergent system will be OFF by default each time the machine is powered up with the Key Switch (A). The detergent system will be selected by default when Prespray Mode (I) is active. The Detergent ON / OFF Switch (C) is inactive when Sweep Power (D) is ON. The system should be purged of previous detergent when switching to a different detergent. **SERVICE NOTE:** Move machine over floor drain before purging because a small amount of detergent will be dispensed in the process.

To Purge When Changing Chemicals:

- 1 Disconnect and remove the detergent cartridge.
- 2 Turn the Key Switch (A) ON. Press and hold the Detergent ON / OFF Switch (C) and the Solution ON / OFF Switch (B) for more than 2 seconds while the controller is in any mode except standby to initiate a purge cycle. **NOTE:** Once activated the purge process takes 10 seconds. See illustration on next page for Detergent System indicators. Normally one purge cycle is adequate to purge the system.

To Purge Weekly:

- 1 Disconnect and remove the detergent cartridge. Install and connect a Cartridge filled with clean water.
- 2 Turn the Key Switch (A) ON. Press and hold the Detergent ON / OFF Switch (C) and the Solution ON / OFF Switch (B) for more than 2 seconds while the controller is in any mode except standby to initiate a purge cycle. **NOTE:** Once activated the purge process takes 10 seconds. See illustration on next page for Detergent System indicators. Normally one purge cycle is adequate to purge the system.

When the Detergent Cartridge (18) is almost empty a Display Panel (E5) indicator will come on. The "Low Detergent" indicator will remain on until you reset the system. Once this indicator comes on you should be able to simply pour an entire gallon bottle of detergent into the Cartridge to refill without worrying about measuring. **NOTE:** Only reset the system when the cartridge is full. When switching cartridges, the "Low Detergent" indicator is only accurate if the replacement cartridge is at the same level as the cartridge being replaced.

To Reset:

- 1 Turn the Key Switch (A) ON. Press and hold the Maintenance Mode Switch (G) and the Restoration Mode Switch (H) for more than 2 seconds while the solution and detergent are ON. The Detergent Reset Icon will display for 5 seconds. See illustration on next page for Detergent System indicators.

Detergent Ratio:

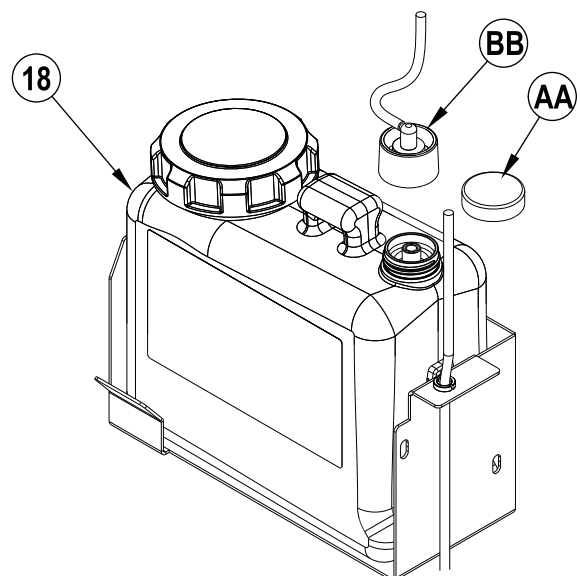
- 1 The pre-programmed ratio can be adjusted. With the detergent system OFF, press and hold the Detergent ON/OFF Switch (C) for 2 seconds. The detergent indicator will flash and each press of the switch will cycle through the available ratios (1:64, 1:75, 1:100, 1:125, 1:150, 1:175, 1:200, 1:250). Once the desired ratio is displayed on the screen (E6), stop and it will lock in after 5 seconds.

CARTRIDGE INSTRUCTIONS:

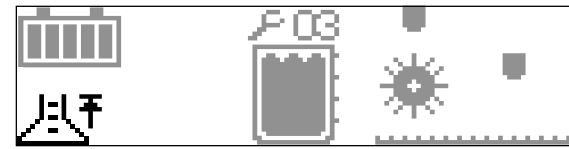
The Detergent Cartridge (18) is located behind the Detergent Cartridge Access Cover (6) in the operator's compartment. Fill the detergent cartridge with a maximum of 1.25 gallons (4.73 Liters) of detergent. **SERVICE NOTE:** Remove the detergent cartridge from the detergent box prior to filling to avoid spilling detergent on the machine.

It is recommended that a separate cartridge be used for each detergent you plan to use. The detergent cartridges have a white decal on them so you can write the detergent name on each cartridge to avoid mixing them up. When installing a new cartridge, remove the Cap (AA) and place the cartridge in the detergent box. Install the Dry Break Cap (BB) and detergent hose as shown.

FIGURE 2

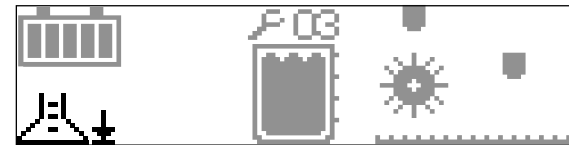


DETERGENT SYSTEM PREPARATION AND USE (ONLY USED IN EXTRACT MODE)



FULL (RESET)

Press and hold (G) & (H) for more than 2 seconds to Reset.



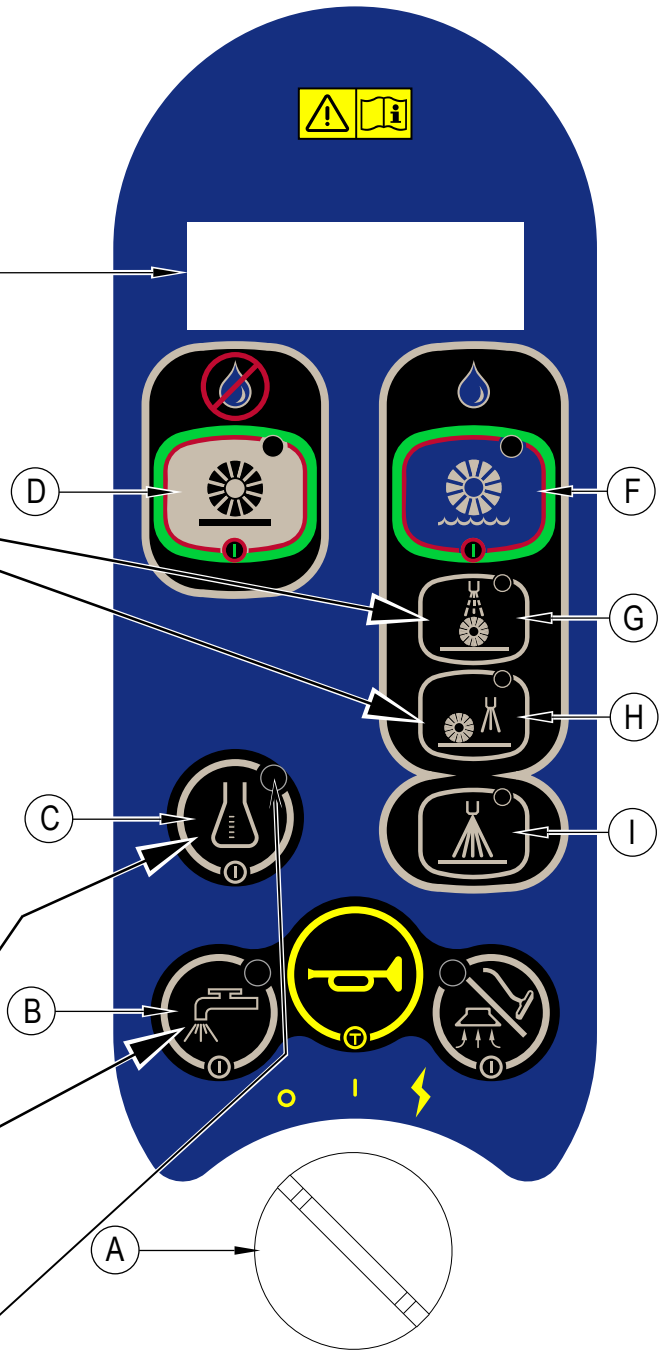
LOW DETERGENT



PURGE

Press and hold (B) & (C) for more than 2 seconds to Purge.

Detergent system is ON when indicator is ON.



OPERATING THE MACHINE-SWEEP MODE

WARNING!

Be sure you understand the operator controls and their functions.

While on ramps or inclines, avoid sudden stops when loaded. Avoid abrupt sharp turns. Use low speed down hills. Clean only while ascending (driving up) the ramp.

CAUTION!

Sweeping with a dry solution tank could reduce the life of the solution pump that powers the misting system.

FILLING THE SOLUTION TANK

While sweeping the ES4000 uses a misting system which sprays water into the airstream to dampen dust as it is drawn into the recovery tank. It is important that there be water in the solution tank at all times during sweeping so dust does not escape the system. Refill the solution tank before sweeping whenever the batteries have been recharged. Under normal conditions, a full solution tank should be adequate to supply the misting system through an entire battery cycle.

To Sweep...

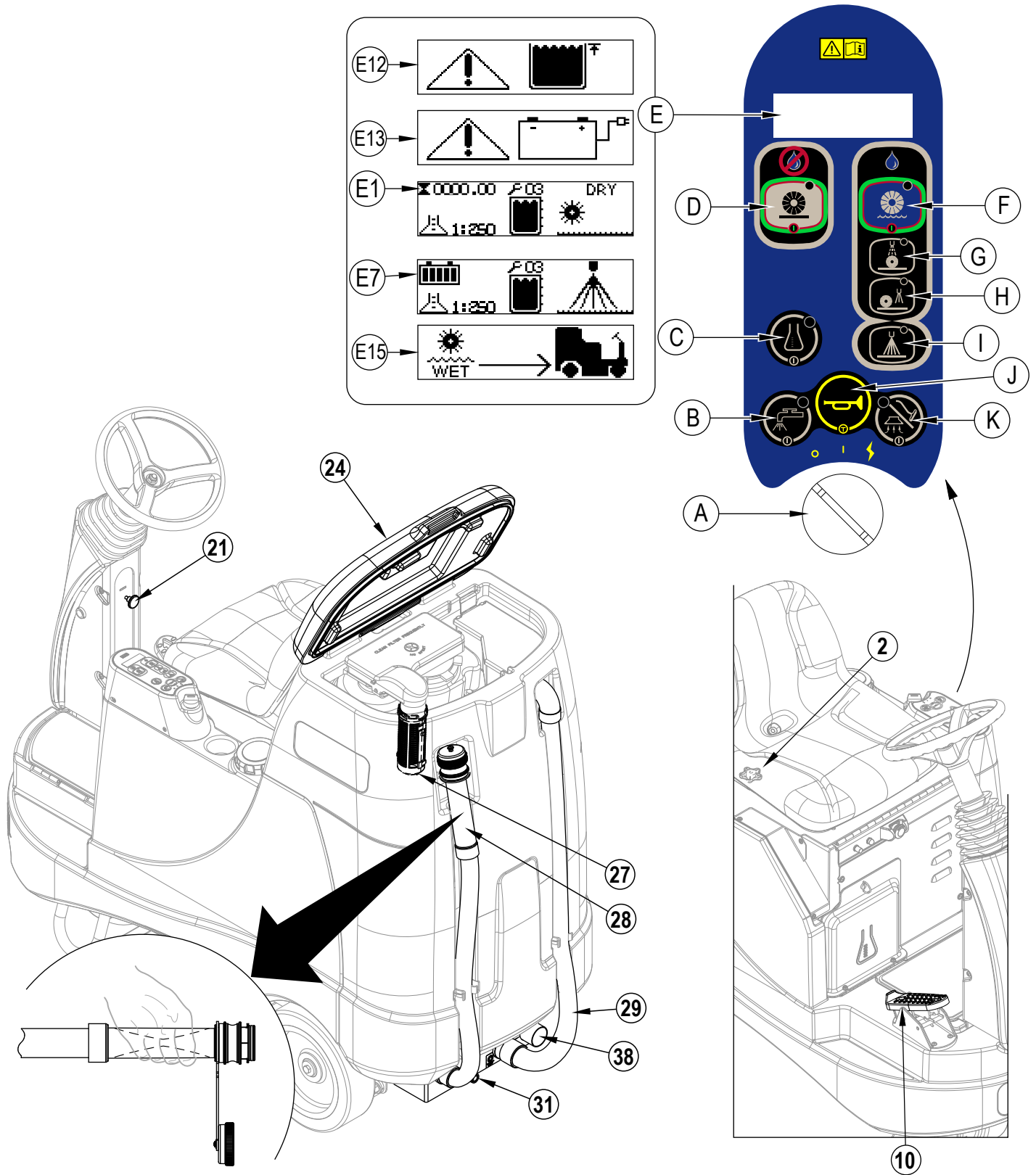
Follow the instructions in preparing the machine for use section of this manual. Before cleaning in extraction mode the entire area should be cleaned in Sweep Mode first.

- 1 **See Figure 3.** While seated on the machine, adjust the steering wheel to a comfortable position using the Steering Wheel Tilt Adjust Knob **(21)**. The seat can be adjusted if necessary by tipping up the seat and using the adjustment knob **(2)**.
- 2 Turn the Master Key Switch **(A)** ON **(I)**. This will display the control panel indicator lights, reference the Battery Condition Indicator **(E7)** and Hour Meter **(E1)** before proceeding.
- 3 To transport the machine to the work area, apply even pressure with your foot on the front of the Drive Pedal **(10)** to go forward or the rear of the pedal for reverse. Vary the pressure on the foot pedal to obtain the desired speed.
- 4 If the machine was last used for extraction, follow the "To Switch to Sweep Mode..." instructions at the end of the "Operating the Machine-Extract Mode" section. If the machine was last used in sweep mode simply press the Sweep ON / OFF Switch **(D)** to activate the sweep system.
- 5 After turning ON the Sweep System the deck will immediately lower to the floor. When the Drive Pedal **(10)** is engaged in forward or reverse, the solution pump, brush motors, vacuum motors and the misting chamber valve will turn ON. **NOTE:** When the Drive Pedal **(10)** is in neutral, the solution pump, brush motors and the misting chamber valve turn OFF. After 10 seconds, if the Drive Pedal **(10)** is not engaged, the vacuum motors turn OFF.
- 6 Begin cleaning by driving the machine forward in a straight line at a normal walking speed and overlap each path by 2-3 inches (50-75 mm). If there is little or no fluid entering the recovery tank, the solution tank may be empty. Refill the solution tank with water.
- 7 The recovery tank has an automatic float shut-off **(27)** to prevent solution from entering the vacuum system when the recovery tank is full. When the float shut-off is activated, the control system will shut down the scrub, vacuum, solution and detergent systems. The Recovery Tank FULL Indicator **(E12)** will display. To clear the display, cycle the Key Switch **(A)**. When the float closes, the recovery tank must be emptied. The machine **will not** pick up water with the float closed. **NOTE:** If the control repeatedly gives a full indication when the tank is not full, the automatic shut-off feature can be disabled, have a qualified service technician refer to the service manual to perform this function.
- 8 When the operator wants to stop cleaning or the recovery tank is full, press the Sweep ON / OFF Switch **(D)**. The solution pump and misting chamber valve will turn OFF immediately. The deck will raise to its upper limit and the brush motors will turn OFF. Once the deck is raised, the vacuum motors will turn OFF after a 10 second delay.
- 9 Drive the machine to a designated waste water "DISPOSAL SITE" and empty the recovery tank. To empty, pull the Drain Hose **(28)** from its rear storage area, then remove the plug (hold the end of the hose above the water level in the tank to avoid sudden, uncontrolled flow of waste water). Refill the solution tank and continue cleaning.

To Switch to Extract Mode...

- 1 **See Figure 3.** Press the Sweep ON / OFF Switch **(D)** to turn OFF Sweep Mode.
- 2 Press Extract ON / OFF Switch **(F)** to activate Extract Mode.
- 3 The LCD Display **(E)** will display screen **(E15)** and the Horn will beep to indicate that the Recovery Hose **(29)** needs to be switched to the Wet Pick Up Connection **(38)**.
- 4 After switching the Recovery Hose **(29)** to the Wet Pick Up Connection **(38)** press the Extract ON / OFF Switch **(F)** to acknowledge the hose change. Press the Extract ON / OFF Switch **(F)** again to turn ON Extract Mode
- 5 Refer to OPERATING THE MACHINE-EXTRACT MODE section for further operating instructions.

FIGURE 3



OPERATING THE MACHINE-EXTRACT MODE

WARNING!

Be sure you understand the operator controls and their functions.

While on ramps or inclines, avoid sudden stops when loaded. Avoid abrupt sharp turns. Use low speed down hills. Clean only while ascending (driving up) the ramp.

To Extract...

Follow the instructions in preparing the machine for use section of this manual. Before cleaning in extraction mode the entire area should be cleaned in Sweep Mode first.

- 1 **See Figure 4.** While seated on the machine, adjust the steering wheel to a comfortable position using the Steering Wheel Tilt Adjust Knob (21). The seat can be adjusted if necessary by tipping up the seat and using the adjustment knob (2).
- 2 Turn the Master Key Switch (A) ON (I). This will display the control panel indicator lights, reference the Battery Condition Indicator (E7) and Hour Meter (E1) before proceeding.
- 3 To transport the machine to the work area, apply even pressure with your foot on the front of the Drive Pedal (10) to go forward or the rear of the pedal for reverse. Vary the pressure on the foot pedal to obtain the desired speed.
- 4 If the machine was last used for sweeping, follow the "To Switch to Extract Mode..." instructions at the end of the "Operating the Machine-Sweep Mode" section. If the machine was last used in extract mode simply press the Extract ON / OFF Switch (F), Maintenance Mode Switch (G), Restoration Mode Switch (H) or the Prespray Mode Switch (I) to activate the extraction system. **NOTE:** Maintenance Mode (G) is the default setting upon initial startup. The detergent system is OFF by default. It can be turned ON or OFF at any time by pressing the Detergent ON / OFF Switch (C).
- 5 If either the Maintenance Mode Switch (G) or the Restoration Mode Switch (H) is selected, the brush deck and vacuum shoes are automatically lowered to the floor. When the Drive Pedal (10) is engaged forward, the solution pump, brush motors, vacuum motors and either the maintenance valve or the restore valve are activated. **NOTE:** When the Drive Pedal (10) is in neutral or reverse, the solution pump, brush motors and either maintenance valve or the restore valve turn OFF. After 10 seconds, if the Drive Pedal (10) is not engaged forward, the vacuum motors turn OFF.

If the Prespray Mode Switch (I) is selected, the brush deck is automatically lowered to the floor. When the Drive Pedal (10) is engaged forward, the solution pump, brush motors and the restore valve are activated. The detergent pump will be activated at a specific rate. **NOTE:** When the Drive Pedal (10) is in neutral or reverse, the solution pump, brush motors, detergent pump and restore valve turn OFF.

- 6 Begin cleaning by driving the machine forward in a straight line at a normal walking speed and overlap each path by 2-3 inches (50-75 mm). Turn the Solution Switch (B) OFF prior to turns to ensure complete extraction of solution from carpet. Adjust when necessary the machine speed according to the condition of the carpet.
If there is little or no fluid entering the recovery tank, the solution tank may be empty. Refill the solution tank with water.
- 7 The recovery tank has an automatic float shut-off (27) to prevent solution from entering the vacuum system when the recovery tank is full. When the float shut-off is activated, the control system will shut down the scrub, vacuum, solution and detergent systems. The Recovery Tank FULL Indicator (E12) will display. To clear the display, cycle the Key Switch (A). When the float closes, the recovery tank must be emptied. The machine **will not** pick up water with the float closed. **NOTE:** If the control repeatedly gives a full indication when the tank is not full, the automatic shut-off feature can be disabled, have a qualified service technician refer to the service manual to perform this function.
- 8 When the operator wants to stop cleaning or the recovery tank is full, press the Extract ON / OFF Switch (F). The solution pump, detergent pump and all three solution solenoids will turn OFF immediately. The deck will raise to its upper limit and the brush motors will turn OFF. After a 3 second delay the vacuum shoes will raise to the up position. Once the deck is raised, the vacuum motors will turn OFF after a 10 second delay.
- 9 Drive the machine to a designated waste water "DISPOSAL SITE" and empty the recovery tank. To empty, pull the Drain Hose (28) from its rear storage area, then remove the plug (hold the end of the hose above the water level in the tank to avoid sudden, uncontrolled flow of waste water). Refill the solution tank and continue cleaning.

NOTE: Make sure the Recovery Tank Cover (24) and the Recovery Tank Drain Hose (28) cap are properly seated or the machine will not pick-up water correctly.

When the batteries require recharging the Low Voltage Cutout Indicator (E13) will come on. The brushes, pumps and solenoids will turn OFF and the deck will raise up. Transport the machine to a service area and recharge the batteries according to the instructions in the Battery section of this manual.

To Switch to Sweep Mode...

- 1 **See Figure 4.** Press the Extract ON / OFF Switch (F) to turn OFF Extract Mode.
- 2 Press Sweep ON / OFF Switch (D) to activate Sweep Mode.
- 3 The LCD Display (E) will display screen (E14) and the Horn will beep to indicate that the Recovery Hose (29) needs to be switched to the Dry Pick Up Connection (30).
- 4 After switching the Recovery Hose (29) to the Dry Pick Up Connection (30) press the Sweep ON / OFF Switch (D) to acknowledge the hose change. Press the Sweep ON / OFF Switch (D) again to turn ON Sweep Mode.
- 5 Refer to OPERATING THE MACHINE-SWEEP MODE section for further operating instructions.

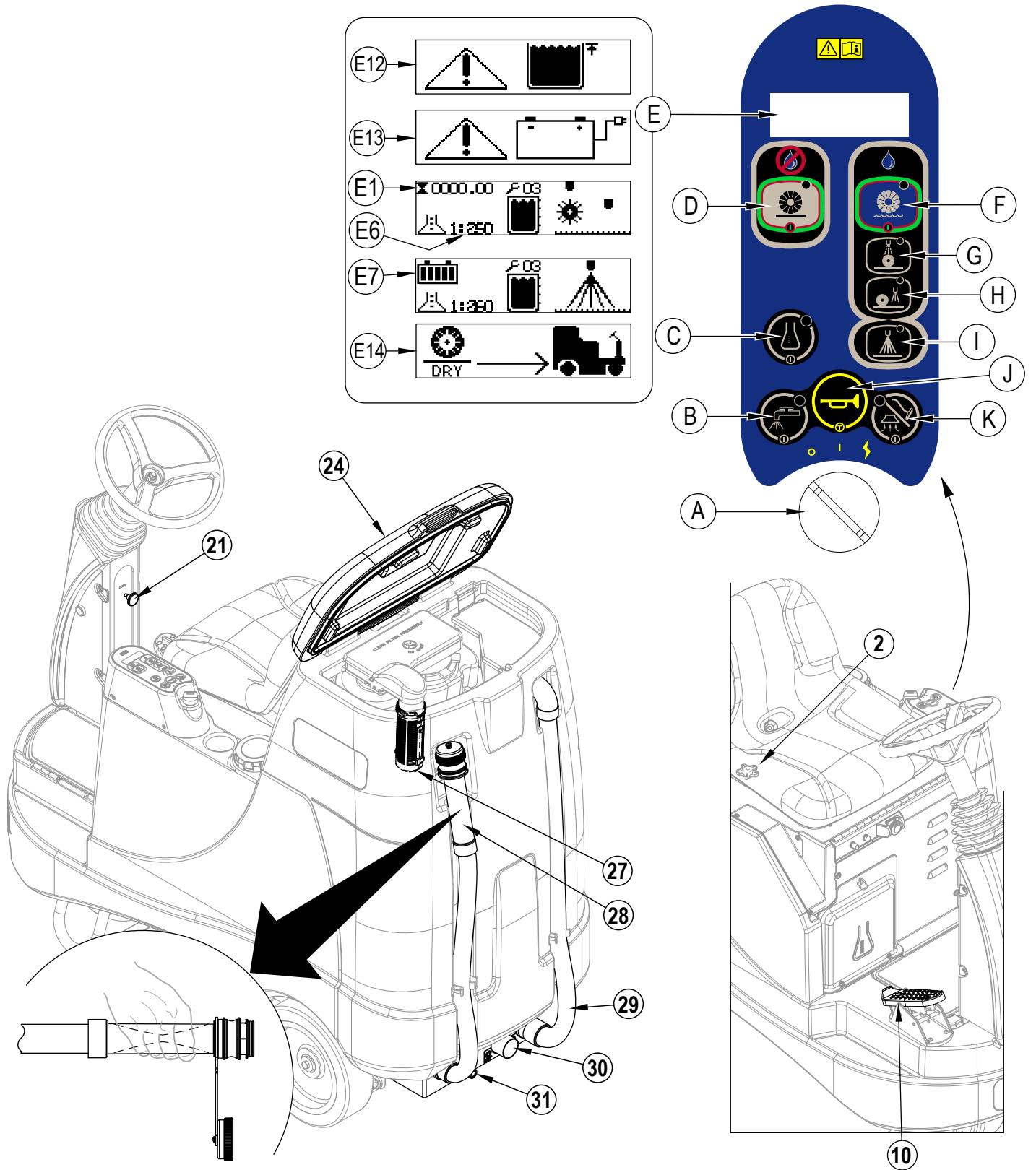
USING ATTACHMENTS

Steps to follow in fitting the machine with optional attachments for detail or upholstery cleaning.

- 1 Disconnect the recovery hose at the rear of the machine. Connect the coupler and hose from suitable wet pick-up tools to the recovery hose.
- 2 Attach the solution connection to the accessory port, located at the rear of the machine on the chassis. (An optional Wand Caddy Kit is available from Advance).
- 3 Turn the Master Key Switch (A) ON while the machine driver seat is unoccupied, next press the Vacuum ON / OFF Switch (K). The vacuum motor will run continuously until the switch is pressed again to turn it OFF. **NOTE:** If the control repeatedly gives a full indication when the tank is not full, the automatic shut-off feature can be disabled, have a qualified service technician perform this function.

SERVICE NOTE: Refer to the service manual for detailed functional descriptions of all controls and optional programmability.

FIGURE 4



AFTER USE

- 1 When finished cleaning, press the Extract ON / OFF Switch (F) or the Sweep ON / OFF Switch (D), this will automatically raise, retract and stop all the machine systems (brush, vacuum & solution). Then drive the machine to a service area for daily maintenance and review of other needed service up-keep.
- 2 To empty the solution tank, remove the Solution Tank Drain Hose (16) from its storage clamp. Direct the hose to a designated "DISPOSAL SITE" and remove the plug. Rinse the tank with clean water.
- 3 To empty the recovery tank, pull the Recovery Tank Drain Hose (28) from its storage area. Direct the hose to a designated "DISPOSAL SITE" and remove the plug (hold the end of the hose above the water level in the tank to avoid sudden, uncontrolled flow of waste water). Rinse the Recovery Tank with clean water.
- 4 Remove the Brushes, rinse with warm water and remove any built-up string, hair or carpet fibers.
- 5 Disconnect the Recovery Hose from the Recovery Tank and flush with warm water to wash any debris out of the Recovery Hose / Vacuum Shoe Assembly.
- 6 Remove the debris hopper and clean thoroughly. Remove from left or right side of machine by lifting hopper up and tilting it forward then pull out.
- 7 Check the maintenance schedule below and perform any required maintenance before storage.

MAINTENANCE SCHEDULE

MAINTENANCE ITEM	Daily	Weekly	Monthly	Yearly
Charge Batteries	X			
Check/Clean Tanks & Hoses	X			
Check/Clean/ Power Brushes	X			
Check/Clean Vacuum Shoes	X			
Check/Clean Vacuum Shut-Off Float	X			
Check/Clean the vacuum motor foam filter(s)	X			
Empty Debris Hopper	X			
Clean Spray Nozzles		X		
Check Each Battery Cell(s) Water Level		X		
Inspect Brush Deck Skirts		X		
Inspect and clean Solution Filter		X		
Check Foot/ Parking Brake for Wear & Adjustment		X		
Purge the Detergent Injection System		X		
Lubrication - Grease Fittings			X	
* Check Carbon Brushes				X

* Have Advance check the vacuum motor carbon motor brushes once a year or after 300 operating hours. The brush and drive motor carbon brushes check every 350 hours or once a year.

NOTE: Refer to the Service Manual for more detail on maintenance and service repairs.

- 8 Store the machine indoors in a clean dry place. Keep from freezing. Leave the tanks open to air them out.
- 9 Turn the Key Switch / Main Power (A) OFF (O) and remove the key.

VACUUM SHOE MAINTENANCE

Check the vacuum shoes daily, they can be removed to aid in cleaning, see "Removing the Vacuum Shoes". Remove any built-up string, hair or carpet fibers.

SPRAY NOZZLE MAINTENANCE

Remove the spray nozzles once a week. Soak the nozzles overnight in a vinegar and water solution to remove chemical deposits.

LUBRICATING THE MACHINE

Once a month, pump a small amount of grease into each grease fitting on the machine until grease seeps out around the bearings.

Grease fitting locations are:

- Steering Wheel Shaft Universal joint

Once a month, apply light machine oil to lubricate the:

- Steering Chain
- General Pivot Points For the Brush Deck Linkage

ELECTROMAGNETIC BRAKE

See Figure 5. The Drive Wheel Assembly (9) has a built in electromagnetic brake that is engaged whenever the Key Switch (A) is OFF or the Drive Pedal (10) is in the neutral position. This brake can be manually overridden if necessary by inserting a medium to large screwdriver behind the Yoke (AA) as shown. This should only be done in the event you need to push or pull the unit.

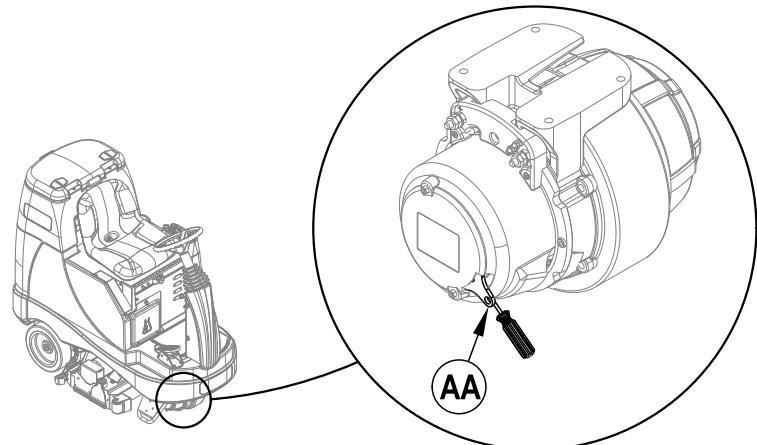


FIGURE 5

CLEANING THE VACUUM MOTOR FILTERS

Clean the vacuum motor filters daily with compressed air. For extremely dirty filters, wash with warm, soapy water and rinse thoroughly with clean water. Allow the filters to dry **completely** before re-installing in the machine. **MAINTENANCE NOTE:** Keep a second set of filters on hand to use while first set is drying.

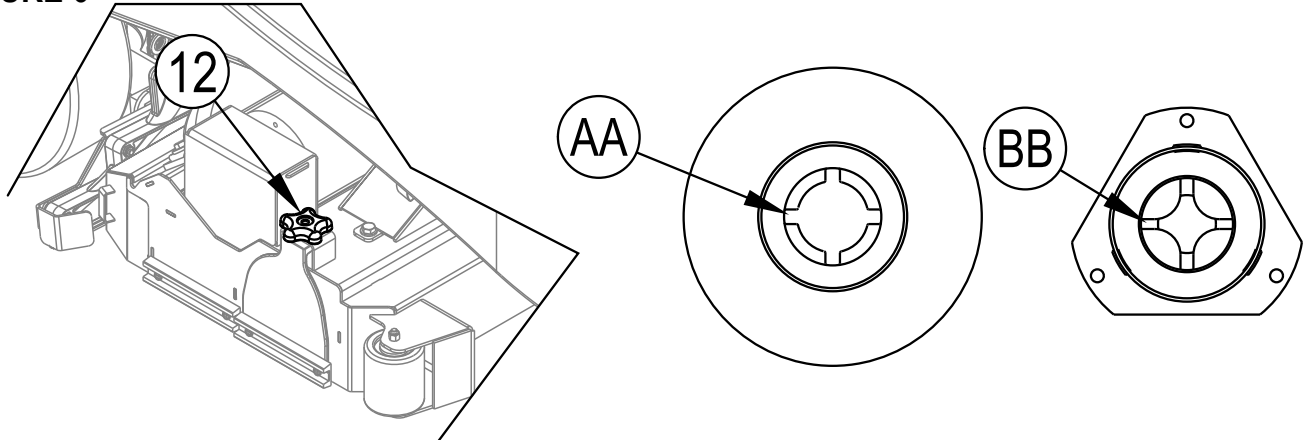
POWER BRUSH MAINTENANCE

Check the brushes daily. Remove any built-up string, hair or carpet fibers. Check the bristle length. Have a service technician change the brushes when the brush bristles are worn to 1/2 inch (12.7 mm).

REMOVING THE FRONT BRUSH

- 1 See Figure 6. Turn the Key Switch (A) OFF.
- 2 Loosen the Brush Idler Removal Knob (12) on top of the idler assembly and remove the idler assembly. Slide the brush out of the brush deck housing.
- 3 To reinstall, slide the brush into the housing, lift slightly, push and turn until it seats. **NOTE:** Make sure Slots (AA) in end of Brush line up with and seat firmly on Lugs (BB) on the Drive End Assembly. Re-install the idler assembly and tighten Knob (12).

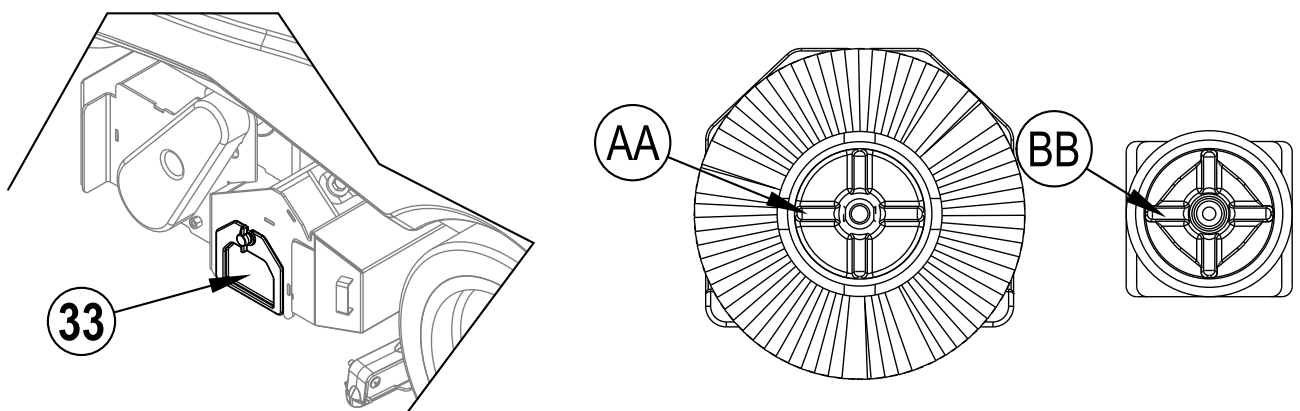
FIGURE 6



REMOVING THE REAR BRUSH

- 1 See Figure 7. Turn the Key Switch (A) OFF.
- 2 Loosen the T-Knob holding the Rear Brush Access Panel (33) and slide the Panel (33). Slide the brush out of the brush deck housing.
- 3 To reinstall, slide the brush into the housing, lift slightly, push and turn until it seats. **NOTE:** Make sure Slots (AA) in end of Brush line up with and seat firmly on Lugs (BB) on the Drive End Assembly. Re-install the idler assembly and tighten Knob (12).

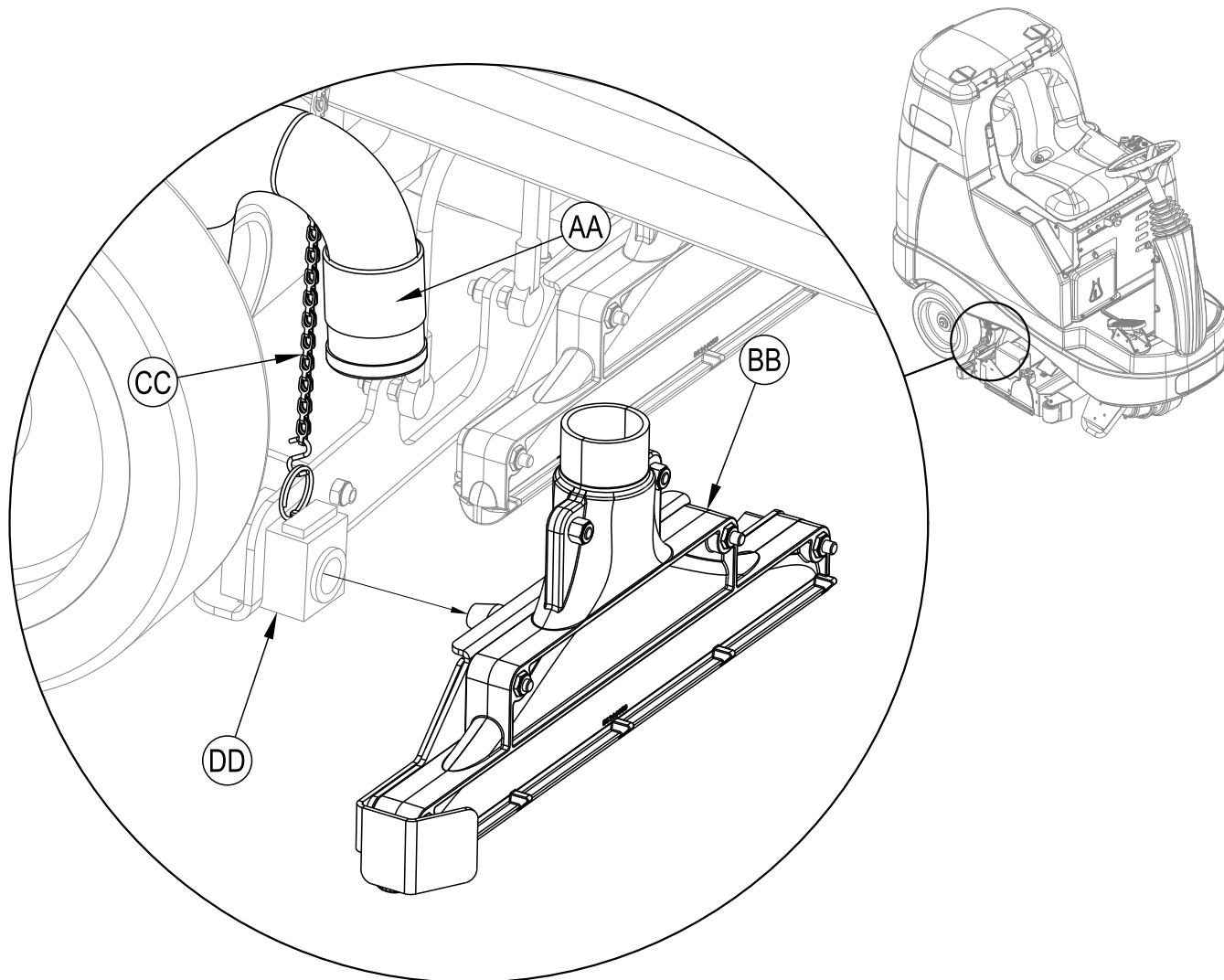
FIGURE 7



REMOVING THE VACUUM SHOES

- 1 See Figure 8. Turn the Key Switch (A) OFF.
- 2 Disconnect the Vacuum Hose (AA) from the Vac Shoe (BB) and pull up on the gold Chain (CC). Slide the Vac Shoe (BB) out of the Shoe Support Weldment (DD). **NOTE:** The procedure is the same for both vac shoes but the right side shoe must be removed before removing the left side shoe.
- 3 Reinstallation is reverse of removal.

FIGURE 8



CHARGING WET BATTERIES

Charge the batteries each time the machine is used or when the Battery Indicator (E7) is reading less than full.

WARNING!

Do not fill the batteries before charging.

Charge batteries in a well-ventilated area.

Do not smoke while servicing the batteries.

When Servicing Batteries...

- * Remove all jewelry
- * Do not smoke
- * Wear safety glasses, rubber gloves and a rubber apron
- * Work in a well-ventilated area
- * Do not allow tools to touch more than one battery terminal at a time
- * ALWAYS disconnect the negative (ground) cable first when replacing batteries to prevent sparks.
- * ALWAYS connect the negative cable last when installing batteries.

If your machine shipped **with** an onboard battery charger do the following:

Turn the Key Switch (A) OFF. Open the Battery Compartment (19) and the Battery Charger Access Door (8) for proper ventilation. Unwind the electrical cord from the side of the onboard charger and plug it into a properly grounded outlet. Refer to the OEM product manual for more detailed operating instructions.

If your machine shipped **without** an onboard battery charger do the following:

Open the Battery Compartment (19) and set the Prop-Rod (32). Disconnect the batteries from the machine and push the connector from the charger into the Battery Pack Connector (34). Follow the instructions on the battery charger. **SERVICE NOTE:** Make sure you plug the battery charger into the connector that attaches to the batteries.

CAUTION!

To avoid damage to floor surfaces, wipe water and acid from the top of the batteries after charging.

CHECKING THE BATTERY WATER LEVEL

Check the water level of the batteries at least once a week.

After charging the batteries, remove the vent caps and check the water level in each battery cell. Use distilled or demineralized water in a battery filling dispenser (available at most auto parts stores) to fill each cell to the level indicator (or to 10 mm over the top of the separators). DO NOT over-fill the batteries!

CAUTION!

Acid can spill onto the floor if the batteries are overfilled.

Tighten the vent caps. Wash the tops of the batteries with a solution of baking soda and water (2 tablespoons of baking soda to 1 liter of water).

CHARGING GEL (VRLA) BATTERIES

Charge the batteries each time the machine is used or when the Battery Indicator (E7) is reading less than full.

WARNING!

Charge batteries in a well-ventilated area.

Do not smoke while servicing the batteries.

When Servicing Batteries...

- * Remove all jewelry
- * Do not smoke
- * Wear safety glasses, rubber gloves and a rubber apron
- * Work in a well-ventilated area
- * Do not allow tools to touch more than one battery terminal at a time
- * ALWAYS disconnect the negative (ground) cable first when replacing batteries to prevent sparks.
- * ALWAYS connect the negative cable last when installing batteries.

CAUTION!

Your voltage regulated lead acid (VRLA) battery will deliver superior performance and life ONLY IF IT IS RECHARGED PROPERLY!

Under or overcharging will shorten battery life and limit performance. Be sure to FOLLOW PROPER CHARGING INSTRUCTIONS!

DO NOT ATTEMPT TO OPEN THIS BATTERY! If a VRLA battery is opened, it loses its pressure and the plates become oxygen contaminated. THE WARRANTY WILL BE VOIDED IF THE BATTERY IS OPENED.

If your machine shipped **with** an onboard battery charger do the following:

Turn the Key Switch (A) OFF. Open the Battery Compartment (19) and the Battery Charger Access Door (8) for proper ventilation. Unwind the electrical cord from the side of the onboard charger and plug it into a properly grounded outlet. Refer to the OEM product manual for more detailed operating instructions.

If your machine shipped **without** an onboard battery charger do the following:

Open the Battery Compartment (19) and set the Prop-Rod (32). Disconnect the batteries from the machine and push the connector from the charger into the Battery Pack Connector (34). Follow the instructions on the battery charger. **SERVICE NOTE:** Make sure you plug the battery charger into the connector that attaches to the batteries.

IMPORTANT: Make sure you have an appropriate charger for use on Gel cell batteries. Use only "voltage-regulated" or "voltage-limited" chargers.

Standard constant current or taper current chargers MUST NOT be used. A temperature-sensing charger is recommended, as manual adjustments are never accurate and will damage any VRLA battery.

GENERAL MACHINE TROUBLESHOOTING

Problem	Possible Cause	Remedy
Poor water pick-up	Recovery tank full	Empty recovery tank
	Recovery tank drain hose leak	Secure drain hose cap or replace
	Recovery tank cover gasket leak	Replace gasket / Seat cover properly
	Debris caught in vacuum shoes	Clean vacuum shoes
	Vacuum hose clogged	Remove debris
Poor extracting performance	Foam filter cover not seated	Seat cover properly
	Worn brushes	Rotate or replace brushes
	Wrong cleaning chemical	Consult Advance
	Moving machine too fast	Slow down
Inadequate solution flow or no solution	Solution tank empty	Fill solution tank
	Solution lines, valves, filter, or spray jets clogged	Flush lines and clean solution filter & spray jets
	Solution control valve is in closed position	Place control valve handle in open position
Machine does not run	Solution solenoid valves	Clean or replace valves
	Emergency stop switch tripped	Reconnect battery connectors
	Operator seat safety switch	Check for open circuit and replace
	Main system controller	Check for error fault codes (see service manual)
No FWD/REV wheel drive	Tripped 10 Amp circuit breaker	Check for electrical short circuit & reset
	Drive system speed controller	Check for error fault codes (see service manual)
	Tripped 70 Amp circuit breaker	Check for drive motor overload
Vacuum shuts off and display shows Recovery Tank FULL Indicator (E12) when recovery tank is not full	Emergency stop switch tripped	Reconnect battery connectors
	Plugged vacuum hose(s)	Clear debris
	Vacuumping large amounts of water at a high travel speed	Slow down or disable auto shut-off feature (see service manual)
Poor Sweeping Performance	Debris Hopper Full	Empty and clean hopper
	Brushes worn	Replace brushes
	Bristles have taken a set	Rotate brushes
No Detergent Flow	Empty detergent cartridge	Fill detergent cartridge
	Plugged or kinked detergent flow line	Purge system, straighten lines to remove any kinks
	Dry seal cap on detergent cartridge not sealed	Reseat dry seal cap
	Detergent pump wiring disconnected or backwards	Connect or reconnect wiring

TECHNICAL SPECIFICATIONS (AS INSTALLED AND TESTED ON THE UNIT)

Model		ES4000
Model No.		56344200 / 56344210
Voltage, Batteries	V	24V
Battery Capacity	Ah	238 Ah
Protection Grade		IPX3
Sound Pressure Level (ISO 11201)	dB(A)	65dB LpA, 3dB KpA
Gross Weight	lbs / kg	1447 lbs / 656 kg
Maximum Wheel Floor Loading (center front)	psi / N/mm ²	178.64 / 1.232
Maximum Wheel Floor Loading (right rear)	psi / N/mm ²	150.81 / 1.040
Maximum Wheel Floor Loading (left rear)	psi / N/mm ²	130.61 / 0.901
Vibrations at the Hand Controls (ISO 5349-1)	m/s ²	.22m/s ² (.044 m/s ² uncertainty)
Vibrations at the Seat (EN 1032)	m/s ²	.02m/s ² (.004 m/s ² uncertainty)
Gradeability		
Transport		16% (9°)
Cleaning		9% (5°)

ÍNDICE

	página
Introducción:.....	B-2
Precauciones y advertencias.....	B-3
Conozca su máquina.....	B-4 - B-5
Panel de control.....	B-6
Preparación de la máquina para su uso	
Instalación de las baterías.....	B-7
Llenado del depósito de solución.....	B-8
Pulverización previa de la moqueta.....	B-8
Planificación de la limpieza.....	B-8
Preparación y uso del sistema de detergente.....	B-8 - B-9
Manejo de la máquina	
Manejo de la máquina: modo de barrido.....	B-10 - B-11
Manejo de la máquina: modo de extracción.....	B-12 - B-13
Uso de accesorios.....	B-12
Después de la utilización.....	B-14
Programa de mantenimiento.....	B-14
Mantenimiento de la zapata de aspiración.....	B-14
Mantenimiento de la boquilla de pulverización.....	B-14
Lubricación de la máquina.....	B-14
Freno electromagnético.....	B-14
Limpieza de filtros del motor de aspiración.....	B-15
Mantenimiento del cepillo eléctrico.....	B-15
Extracción del cepillo delantero.....	B-15
Extracción del cepillo trasero.....	B-15
Extracción de las zapatas de aspiración.....	B-16
Recarga de las baterías.....	B-17
Comprobación del nivel de electrolitos de las baterías.....	B-17
Resolución de problemas.....	B-18
Especificaciones técnicas.....	B-19

INTRODUCCIÓN

Este manual le ayudará a obtener el máximo rendimiento de su Extractor sobre ruedas Advance. Léalo con atención antes de utilizar la máquina.

Nota: Los números que aparecen en negrita entre paréntesis indican elementos ilustrados en las páginas 4-6.

Este producto está destinado exclusivamente a uso comercial.

COMPONENTES Y SERVICIO

Las reparaciones, cuando sean necesarias, deben ser realizadas por su Centro Autorizado de Servicio Advance, que utiliza personal de servicio formado en fábrica y lleva un inventario de las piezas de repuesto y accesorios Advance originales.

Llame al DISTRIBUIDOR ADVANCE que se indica a continuación para lo referente a piezas de repuesto y servicio. Por favor, especifique el modelo y el número de serie cuando hable de su máquina.

PLACA DE IDENTIFICACIÓN

El Número de modelo y Número de serie de la máquina se indican en la placa de identificación instalada en la misma. Esta información es necesaria a la hora de solicitar repuestos para la máquina. Utilice el espacio situado más adelante para anotar el número de modelo y el número de serie de la máquina para futuras consultas.

NÚMERO DE MODELO _____

NÚMERO DE SERIE _____

DESEMBALAJE DE LA MÁQUINA

Cuando reciba la máquina, examine con atención la caja del embalaje y la máquina, con el fin de comprobar si existe algún daño. Si observa algún daño, guarde la caja de embalaje (si procede) para que se pueda inspeccionar. Póngase en contacto inmediatamente con el Departamento de Servicio al Cliente de Advance para presentar una reclamación por daños en transporte. Consulte la hoja de instrucciones de desembalaje incluida con la máquina para sacar la máquina del palet.

¡ADVERTENCIA!

Los Productos a la venta en este Manual contienen, o pueden contener, productos químicos reconocidos por algunos gobiernos (como el Estado de California, según lo indica en su Proposición 65, Ley de Advertencia Regulatoria) como causantes de cáncer, defectos de nacimiento u otros daños reproductivos. En algunas jurisdicciones (incluido el Estado de California), los compradores de estos Productos que los coloquen en servicio en un emplazamiento laboral o en un espacio de acceso público tienen la obligación regulatoria de realizar determinados avisos, advertencias o divulgaciones respecto de los productos químicos contenidos o posiblemente contenidos en los Productos utilizados en tal lugar. Es la responsabilidad del comprador conocer y cumplir con todas las leyes y reglamentaciones relacionadas con el uso de estos Productos en tales entornos. El Fabricante niega toda responsabilidad de informar a los compradores sobre requisitos específicos que pueden regir el uso de los Productos en tales entornos.

PRECAUCIONES Y ADVERTENCIAS

SÍMBOLOS

Advance utiliza los símbolos que se indican más abajo para señalar situaciones potencialmente peligrosas. Lea siempre con atención esta información y tome las medidas necesarias para la protección de las personas y la propiedad.



¡PELIGRO!

Se utiliza para advertir de riesgos inmediatos que producirán lesiones personales graves o incluso fatales.



¡ADVERTENCIA!

Se utiliza para llamar la atención sobre una situación que podría producir lesiones personales graves.



¡PRECAUCIÓN!

Se utiliza para llamar la atención sobre una situación que podría provocar lesiones personales leves o daños en la máquina u otros objetos.



Lea todas las instrucciones antes de utilizar la máquina.

INSTRUCCIONES GENERALES DE SEGURIDAD

Se incluyen precauciones y advertencias específicas que advierten de los peligros potenciales de daños a la máquina o lesiones personales.



¡ADVERTENCIA!

- Esta máquina únicamente deben utilizarla personas autorizadas y con la debida formación.
- Al circular sobre rampas o pendientes, evite las paradas bruscas si lleva carga. Evite las curvas muy cerradas. Circule lentamente al bajar pendientes. Si está en una rampa, limpie sólo al subir la misma.
- Mantenga las chispas, llamas y materiales de fumadores alejados de las baterías. Durante el funcionamiento normal se desprenden gases explosivos.
- Al recargar las baterías se produce gas de hidrógeno altamente explosivo. Recargue las baterías exclusivamente en zonas bien ventiladas, lejos de llamas sin proteger. No fume mientras recarga las baterías.
- Quítese todas las joyas cuando trabaje cerca de componentes eléctricos.
- Apague el interruptor de llave (O) y desconecte las baterías antes de realizar mantenimiento o reparaciones en los componentes eléctricos.
- Nunca trabaje debajo de una máquina sin colocar antes bloques o soportes de seguridad que sostengan la misma.
- No aplique sustancias limpiadoras inflamables ni utilice la máquina sobre estas sustancias o cerca de ellas, ni tampoco en zonas en las que haya líquidos inflamables.
- No limpie esta máquina con una limpiadora a presión.
- No utilice la máquina para fines de limpieza en superficies con pendientes superiores a las indicadas en la máquina.



¡PRECAUCIÓN!

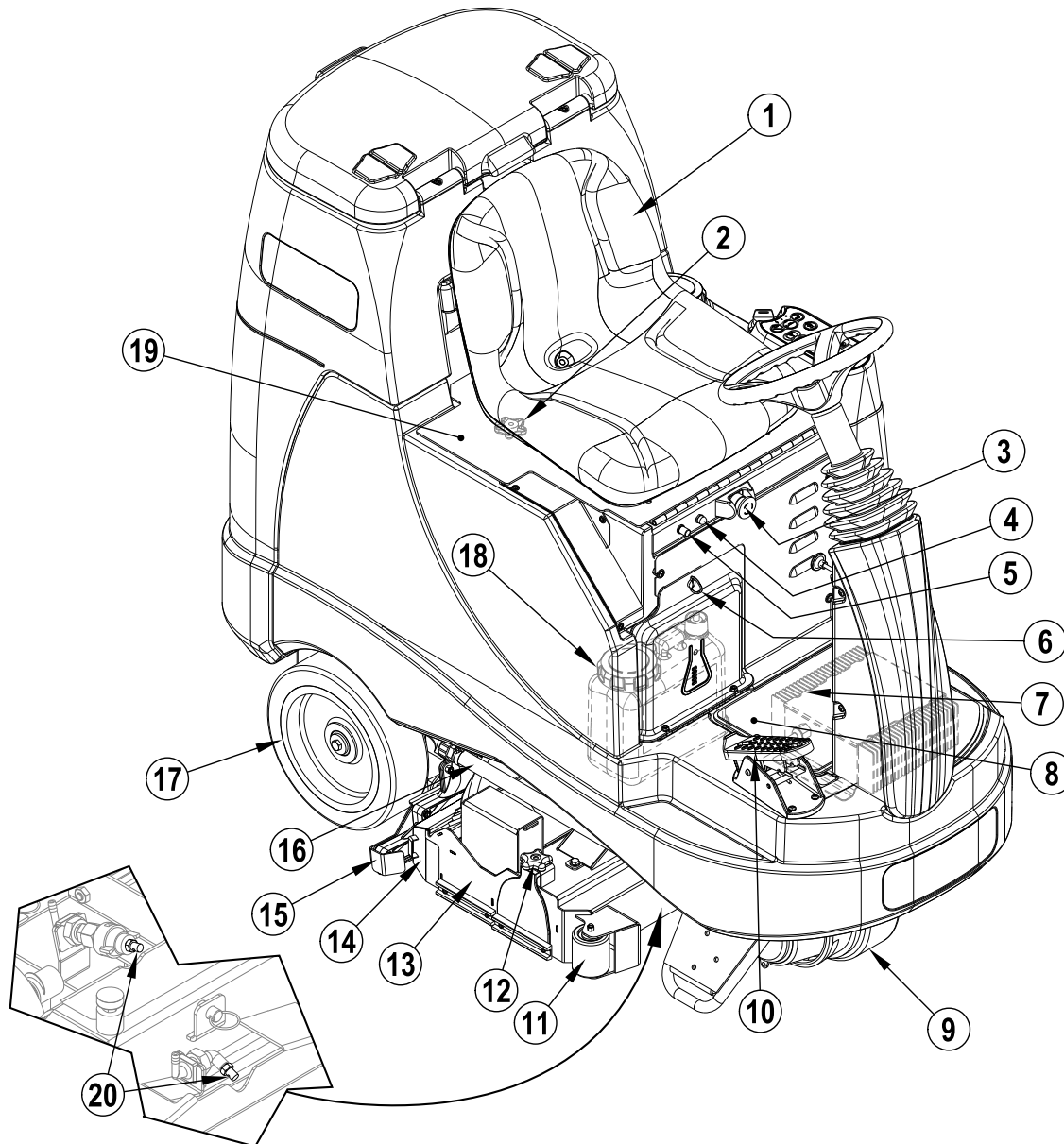
- Esta máquina no ha sido aprobada para su uso en vías públicas.
- Esta máquina no es adecuada para limpiar polvos peligrosos.
- Cuando utilice la máquina, asegúrese de que no existe peligro para terceras personas, especialmente niños.
- Antes de realizar cualquier función de mantenimiento o reparación, lea con atención todas las instrucciones relativas a la misma.
- No abandone la máquina sin antes apagar el interruptor de llave (O), retirar la llave y aplicar el freno de estacionamiento.
- Apague el interruptor de llave (O) antes de cambiar los cepillos y antes de abrir cualquiera de los paneles de acceso.
- Tome las debidas precauciones para evitar que pelo, joyas o prendas amplias queden atrapados entre elementos en movimiento.
- Sea cauto al mover esta máquina con temperaturas bajo cero. El agua de la solución, los depósitos de recuperación o detergente y de las tuberías puede congelarse, causando daños a las válvulas y accesorios. Limpie con limpiaparabrisas.
- Retire las baterías de la máquina antes de su desguace. Las baterías deben desecharse de forma segura, de acuerdo con la reglamentación medioambiental local.
- Antes de utilizar la máquina, todas las puertas y cubiertas deberían estar colocadas como se indica en el manual de instrucciones.

GUARDE ESTAS INSTRUCCIONES

CONOZCA SU MÁQUINA

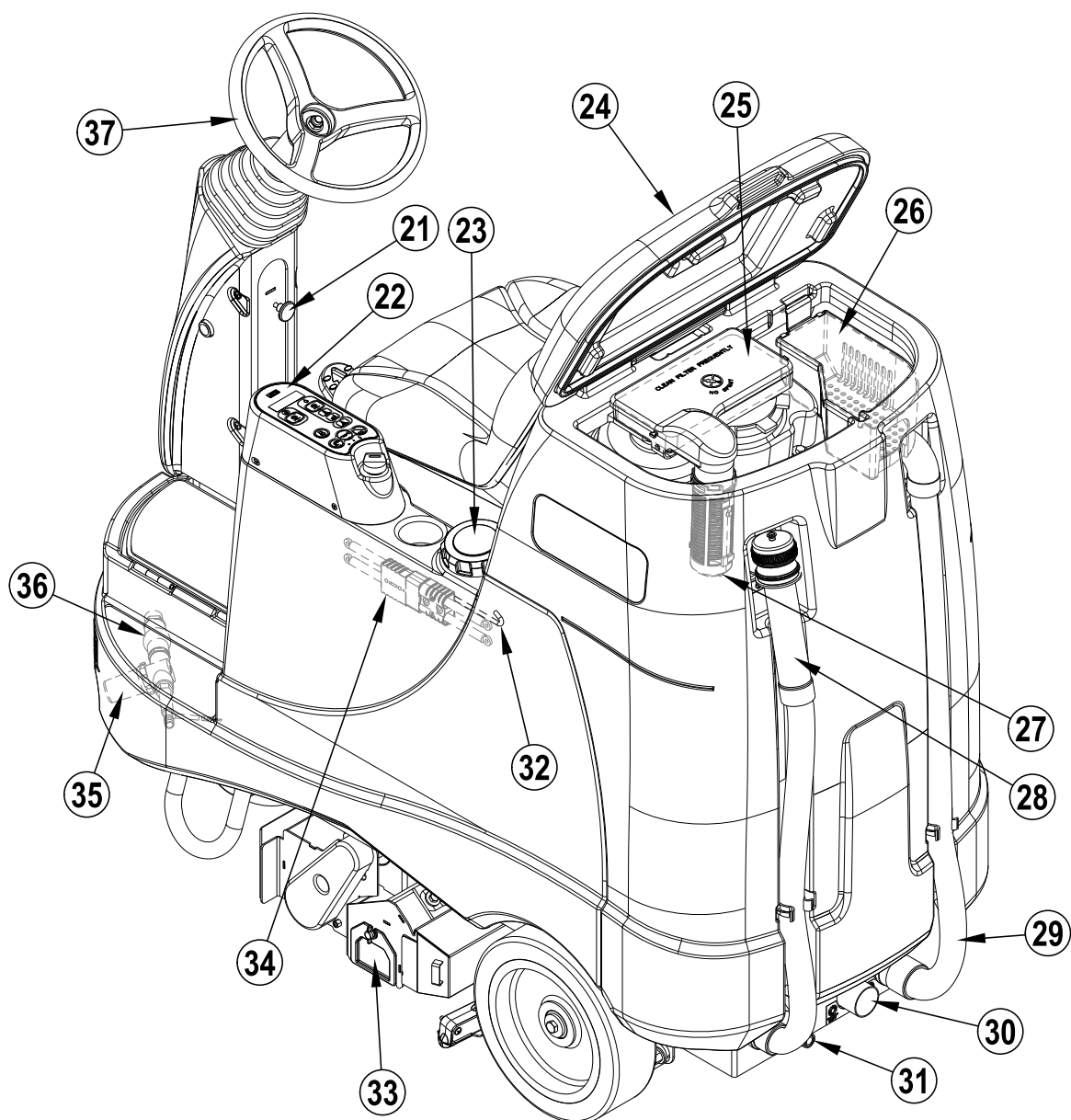
A lo largo de este manual encontrará números o letras en negrita entre paréntesis – por ejemplo: **(2)**. Estos números se refieren a una pieza o componente que se muestra en estas páginas, a menos que se indique lo contrario. Consulte estas páginas siempre que lo necesite para localizar alguna pieza o componente citado en el texto. **NOTA:** Consulte el manual de servicio para obtener explicaciones más detalladas de cada objeto ilustrado en las siguientes 3 páginas.

- | | | | |
|----|--|----|---|
| 1 | Asiento del operador | 11 | Parachoques del rodillo frontal |
| 2 | Manija de ajuste del asiento | 12 | Manija de extracción del cepillo |
| 3 | Parada de emergencia | 13 | Portacepillos |
| 4 | Disyuntor del circuito de control (10 A) | 14 | Tolva de residuos |
| 5 | Disyuntor de la rueda de tracción (70 A) | 15 | Zapatas de aspiración |
| 6 | Cubierta de acceso al cartucho de detergente | 16 | Tubo de vaciado del depósito de solución |
| 7 | Cargador de la batería (opcional) | 17 | Rueda trasera |
| 8 | Puerta de acceso al cargador de la batería | 18 | Cartucho de detergente |
| 9 | Rueda de tracción | 19 | Compartimento de la batería (bajo el asiento) |
| 10 | Pedal de tracción, dirección/velocidad | 20 | Chorros de pulverización de la solución |



CONOZCA SU MÁQUINA

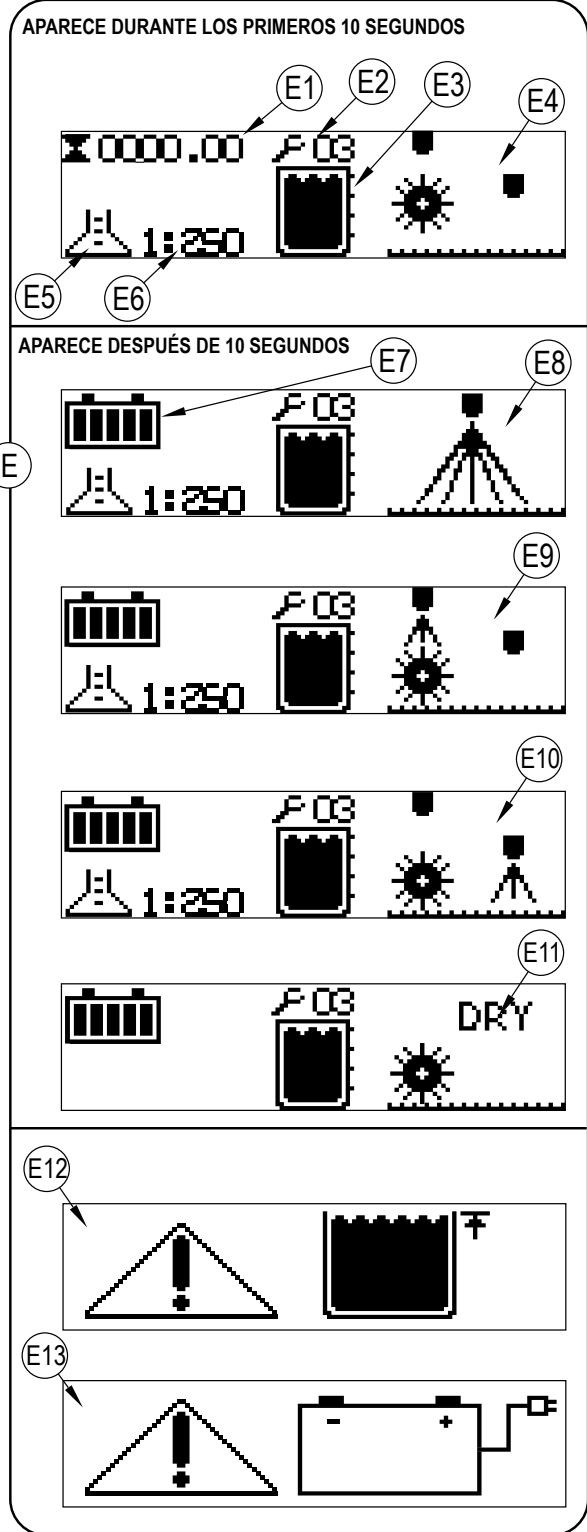
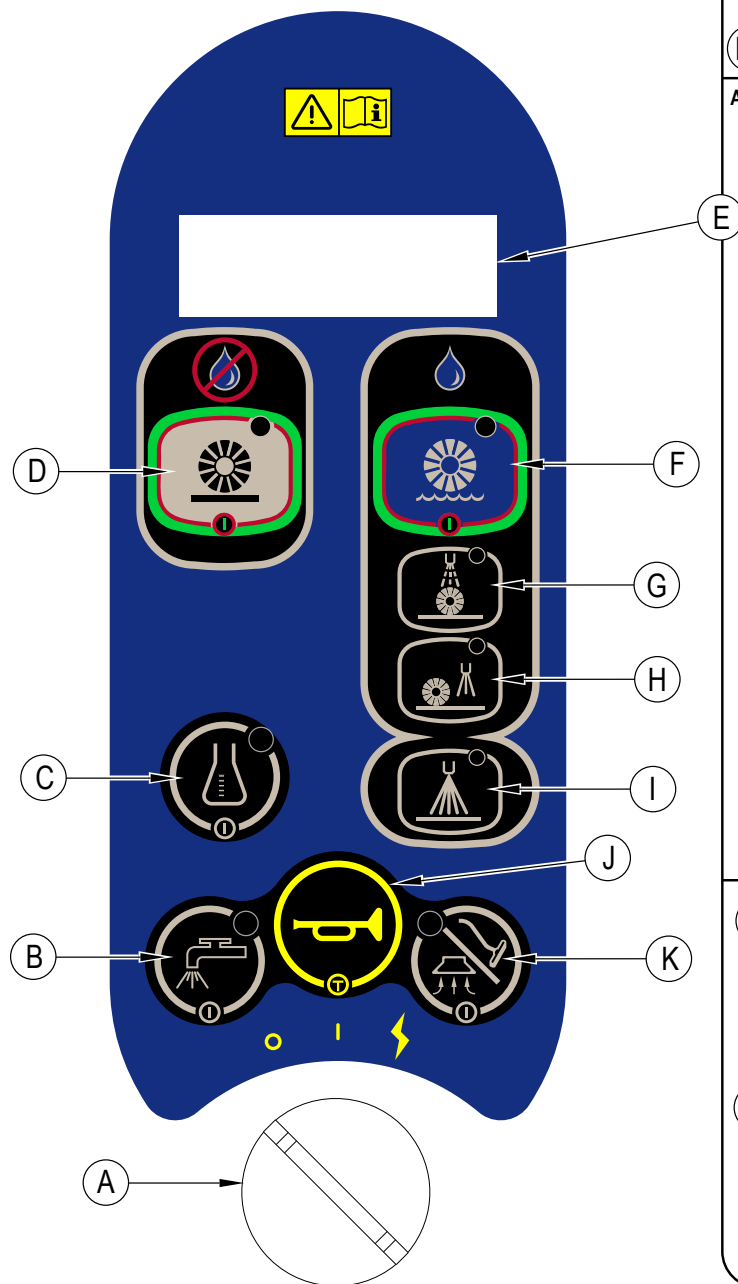
- 21 Manija de ajuste de inclinación del volante
- 22 Panel de control
- 23 Tapa de llenado del depósito de solución
- 24 Tapa del depósito de recuperación
- 25 Alojamiento del filtro del motor de aspiración
- 26 Cesta de filtro
- 27 Flotador de cierre del depósito de recuperación
- 28 Tubo de vaciado del depósito de recuperación
- 29 Tubo de recuperación
- 30 Conexión de recogida en seco
- 31 Puerto de accesorios
- 32 Varilla de apoyo del asiento
- 33 Panel de acceso a cepillo trasero
- 34 Conector de las baterías de la máquina
- 35 Filtro de la solución
- 36 Válvula de cierre de la solución
- 37 Volante
- 38 Conexión de recogida en húmedo



PANEL DE CONTROL

- A Interruptor de llave / Encendido Principal
- B Interruptor de encendido/apagado de la solución
- C Interruptor de encendido/apagado de detergente
- D Interruptor de encendido/apagado de barrido
- E Pantalla LCD
- E1 Contador horario
- E2 Códigos de error
- E3 Indicador de nivel del depósito de solución
- E4 Indicador del modo transporte
- E5 Indicador de detergente
- E6 Indicador de mezcla de detergente
- E7 Indicador de batería
- E8 Indicador del modo pulverización previa
- E9 Indicador del modo mantenimiento
- E10 Indicador del modo restauración
- E11 Indicador del modo de barrido
- E12 Indicador de llenado del depósito de recuperación
- E13 Indicador de corte de bajo voltaje

- F Interruptor de encendido/apagado de extracción
- G Interruptor del modo mantenimiento
- H Interruptor del modo restauración
- I Interruptor del modo pulverización previa
- J Interruptor de claxon
- K Interruptor de encendido/apagado de aspiración



BATERÍAS

Si su máquina se entrega con baterías instaladas, realice lo siguiente:

- Compruebe que las baterías estén conectadas a la máquina (34).
- Encienda el interruptor de llave (A) y compruebe el indicador de batería (E7). Si el indicador está completamente lleno, las baterías están listas para el uso. Si el indicador no está lleno, las baterías deberían cargarse antes de la utilización. Consulte la sección "Recarga de las baterías".
- **¡IMPORTANTE!**: SI SU MÁQUINA ESTÁ EQUIPADA CON UN CARGADOR DE BATERÍA A BORDO, CONSULTE EL MANUAL DEL PRODUCTO OEM PARA OBTENER INSTRUCCIONES SOBRE EL AJUSTE DEL CARGADOR PARA EL TIPO DE BATERÍA.

Consulte TSBUS2008-984 para ver cuáles son los últimos algoritmos del cargador de baterías.

Si su máquina se entrega sin baterías instaladas, realice lo siguiente:

- Consulte con su distribuidor autorizado de Advance en cuanto a las baterías recomendadas.
- Instale las baterías siguiendo las instrucciones indicadas a continuación.
- **NO instale dos baterías de 12 voltios en su máquina. Esto afectará a la estabilidad de la máquina.**
- **¡IMPORTANTE!**: SI SU MÁQUINA ESTÁ EQUIPADA CON UN CARGADOR DE BATERÍA A BORDO, CONSULTE EL MANUAL DEL PRODUCTO OEM PARA OBTENER INSTRUCCIONES SOBRE EL AJUSTE DEL CARGADOR PARA EL TIPO DE BATERÍA.

Consulte TSBUS2008-984 para ver cuáles son los últimos algoritmos del cargador de baterías.

INSTALACIÓN DE LAS BATERÍAS

⚠ ¡ADVERTENCIA!

Tome las máximas precauciones cuando trabaje con las baterías. El ácido sulfúrico de las baterías puede causar daños graves si entra en contacto con la piel o con los ojos. Desde el interior de las baterías se libera, a través de unas aperturas en las tapas de las baterías, gas explosivo de hidrógeno. Este gas puede incendiarse con cualquier arco eléctrico, chispa o llama.

Cuando revise las baterías...

- * Sáquese todas las joyas.
- * No fume.
- * Lleve gafas de seguridad, un delantal de goma y guantes de goma.
- * Trabaje en una zona bien ventilada.
- * No permita que las herramientas toquen simultáneamente más de un borne de la batería.
- * Al sustituir las baterías, desconecte SIEMPRE en primer lugar el cable (de tierra) negativo para evitar chispas.
- * Al instalar las baterías, conecte SIEMPRE el cable negativo al final.

⚠ ¡PRECAUCIÓN!

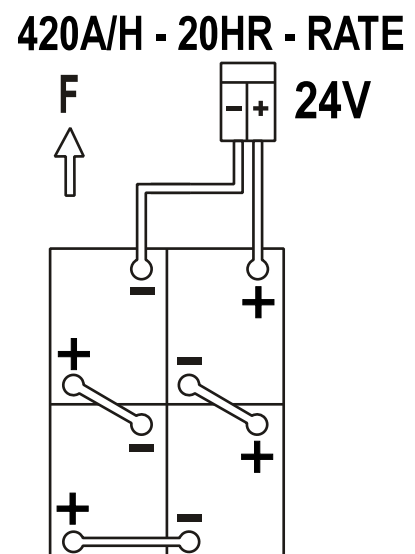
Los componentes eléctricos de esta máquina pueden dañarse seriamente si las baterías no están instaladas o conectadas correctamente. Las baterías deben ser instaladas por Advance o por un electricista cualificado.

- 1 Apague (O) el interruptor de llave (A) y quite la llave. A continuación abra la tapa del compartimento de las baterías (19) y ajuste la varilla de apoyo (32).
- 2 Con (2) personas y una correa de elevación apropiada, levante con cuidado las baterías hasta la bandeja del compartimento, exactamente tal y como se muestra. Consulte la disposición de cables de batería de la pegatina 56601416.
- 3 **Ver la Figura 1.** Instale los cables de batería tal y como se muestra y apriete las tuercas de los bornes de las baterías.
- 4 Instale los manguitos de las baterías y apriételes bien a los cables de las baterías con las correas de sujeción provistas.
- 5 Conecte el conector del conjunto de las baterías al conector de la máquina (34) y cierre la tapa del compartimento de las baterías.

⚠ ¡PRECAUCIÓN!

Antes de cambiar las baterías, consulte TSBUS2008-984 o llame al servicio técnico; en Estados Unidos: 800-989-2235; en Canadá: 800-668-8400; en México: +52 (55)2591 1002 ext. 228.

FIGURA 1



CAUTION: Before changing batteries, consult TSBUS2008-984 or call Technical Service at USA: 800-989-2235 / Canada: 800-668-8400 Mexico: +52 (55) 2591 1002 ext.228

LLENAR EL DEPÓSITO DE SOLUCIÓN (REQUERIDO TANTO PARA EL MODO DE BARRIDO COMO DE EXTRACCIÓN)

- 1 Lea la etiqueta del producto químico de limpieza y calcule la cantidad adecuada de producto químico que se debe mezclar para un depósito con capacidad de 28 galones de EE.UU. (110 litros).
- 2 Abra la tapa del depósito de solución (23).
- 3 Llene 1/3 del depósito completamente de agua, agregue el producto químico de limpieza, luego llene el depósito hasta 7,62cm (3 pulgadas) desde la parte superior de la abertura del depósito.

NOTA: La máquina puede utilizarse normalmente con detergente mezclado en el depósito o con el sistema de aplicación de detergente. Al utilizar el sistema de aplicación de detergente, no mezcle detergente en el depósito; utilice agua.

⚠ ¡PRECAUCIÓN!

Utilice detergentes líquidos de bajo poder espumante diseñados para la succión de moquetas. La temperatura del agua no deberá superar los 130 grados Fahrenheit (54,4 grados Celsius).

ANTES DE UTILIZAR EL ES4000

No es necesaria una aspiración de la moqueta que se va a limpiar antes de utilizar el extractor automático ES4000, debido a la escoba de barrido a bordo y a la tolva de residuos. La zona se debe limpiar en modo de barrido antes de limpiarse en modo de extracción.

PULVERIZACIÓN PREVIA DE LA MOQUETA

Pulverice previamente las manchas y las zonas por las que más se circula. Utilice un pulverizador de mano o un pulverizador presurizado tipo "Hudson". Mezcle el producto de pulverización de acuerdo con las recomendaciones del fabricante.

PLANIFICACIÓN DE LA LIMPIEZA

Antes de empezar a aspirar, observe la zona que va a limpiar y planifique su trabajo. Divida el espacio en secciones. Debe solapar los tramos 2 pulgadas (5 cm).

PREPARACIÓN Y USO DEL SISTEMA DE DETERGENTE (SOLO EN MODO DE EXTRACCIÓN)

INSTRUCCIONES COMUNES:

Al presionar y soltar el interruptor de detergente (C) mientras se encuentre en modo de restauración (H), mantenimiento (G) o pulverización previa (I) hará que el sistema de detergente se encienda y se apague alternadamente. Cuando el sistema de detergente se encuentre encendido, la bomba de detergente estará activada a una velocidad específica mientras la bomba de la solución se encuentre en funcionamiento. La bomba de detergente se apagará cuando la bomba de la solución no se encuentre en funcionamiento o cuando el sistema de detergente esté apagado. A menos que se seleccione el modo de pulverización previa (I), el sistema de detergente estará apagado por defecto cada vez que la máquina se ponga en marcha con el interruptor de llave (A). El sistema de detergente se seleccionará por defecto cuando el modo de pulverización previa (I) se encuentre activo. El interruptor de encendido / apagado de detergente (C) estará inactivo cuando el interruptor de barrido se encuentre encendido (D) Elimine del sistema el detergente utilizado anteriormente antes de cambiar a un detergente diferente. **NOTA DE SERVICIO:** Desplace la máquina sobre un punto de drenaje en el suelo antes de eliminar el detergente porque saldrá una pequeña cantidad durante el proceso.

Purgar al cambiar productos químicos:

- 1 Desconecte y retire el cartucho de detergente.
- 2 Encienda el interruptor de llave (A). Presione y sostenga el interruptor de encendido / apagado (C) de detergente y el interruptor de encendido / apagado de la solución (B) por más de 2 segundos mientras que el controlador se encuentre en cualquier modo excepto en espera para iniciar el ciclo de purga. **NOTA:** Una vez activado, el proceso de purga dura 10 segundos. Observe los indicadores del sistema de detergente en la ilustración de la página siguiente. Por lo general, un solo ciclo de purga es suficiente para purgar el sistema.

Purgar semanalmente:

- 1 Desconecte y retire el cartucho de detergente. Instale y conecte un cartucho lleno de agua limpia.
- 2 Encienda el interruptor de llave (A). Presione y sostenga el interruptor de encendido / apagado (C) de detergente y el interruptor de encendido / apagado de la solución (B) por más de 2 segundos mientras que el controlador se encuentre en cualquier modo excepto en espera para iniciar el ciclo de purga. **NOTA:** Una vez activado, el proceso de purga dura 10 segundos. Observe los indicadores del sistema de detergente en la ilustración de la página siguiente. Por lo general, un solo ciclo de purga es suficiente para purgar el sistema.

Cuando el cartucho de detergente (18) esté casi vacío se encenderá un indicador del panel de visualización (E5). El indicador de "detergente bajo" permanecerá encendido hasta que reinicie el sistema. Cuando se encienda este indicador, sólo tiene que verter una botella completa de un galón de detergente en el cartucho para rellenarlo sin preocuparse de las medidas. **NOTA:** Reinicie el sistema únicamente cuando el cartucho esté lleno. Al cambiar de cartuchos, el indicador de "detergente bajo" únicamente es exacto si el cartucho de repuesto está al mismo nivel que el cartucho sustituido.

Para reiniciar:

- 1 Encienda el interruptor de llave (A). Presione y sostenga el interruptor del modo mantenimiento (G) y el interruptor del modo restauración (H) por más de 2 segundos mientras que la solución y detergente se encuentren encendidos. El ícono de reajuste del detergente se visualizará por 5 segundos. Observe los indicadores del sistema de detergente en la ilustración de la página siguiente.

Mezcla de detergente:

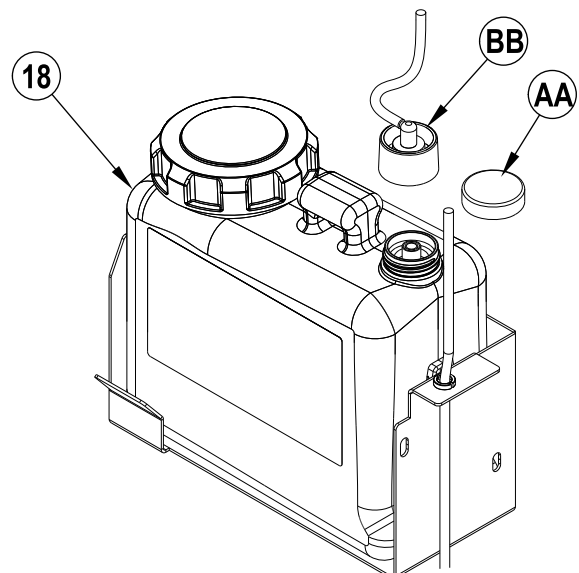
- 1 La mezcla programada previamente se puede ajustar. Con el sistema de detergente apagado, presione y sostenga el interruptor de encendido/apagado de detergente (C) durante 2 segundos. El indicador de detergente parpadeará y cada pulsación del interruptor realizará un ciclo a través de las mezclas disponibles (1:64, 1:75, 1:100, 1:125, 1:150, 1:175, 1:200, 1:250). Cuando la mezcla deseada se muestre en la pantalla (E6), pare y se bloqueará tras 5 segundos.

INSTRUCCIONES PARA EL CARTUCHO:

El cartucho de detergente (18) está situado detrás de la puerta de acceso al cartucho de detergente (6) en el compartimento del operador. Llene el cartucho de detergente con 1,25 galones (4,73 litros) de detergente como máximo. **NOTA DE SERVICIO:** Retire el cartucho de la caja de detergente antes de llenarlo para no derramar detergente sobre la máquina.

Se recomienda utilizar un cartucho individual para cada detergente que planea usar. Los cartuchos de detergente tienen una pegatina blanca, de modo que puede escribir el nombre del detergente en cada cartucho para no mezclarlos. Al instalar un nuevo cartucho, retire la tapa (AA) y coloque el cartucho en la caja de detergente. Instale la tapa sellada (BB) y el tubo de detergente como se muestra.


FIGURA 2



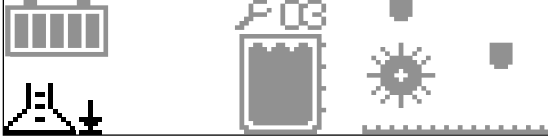
PREPARACIÓN Y USO DEL SISTEMA DE DETERGENTE (SOLO EN MODO DE EXTRACCIÓN)

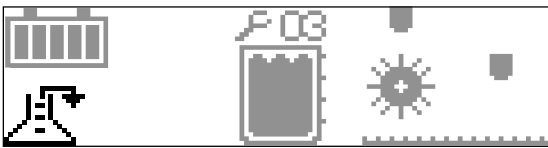
 DETERGENTE ACTIVADO

 DETERGENTE DESACTIVADO

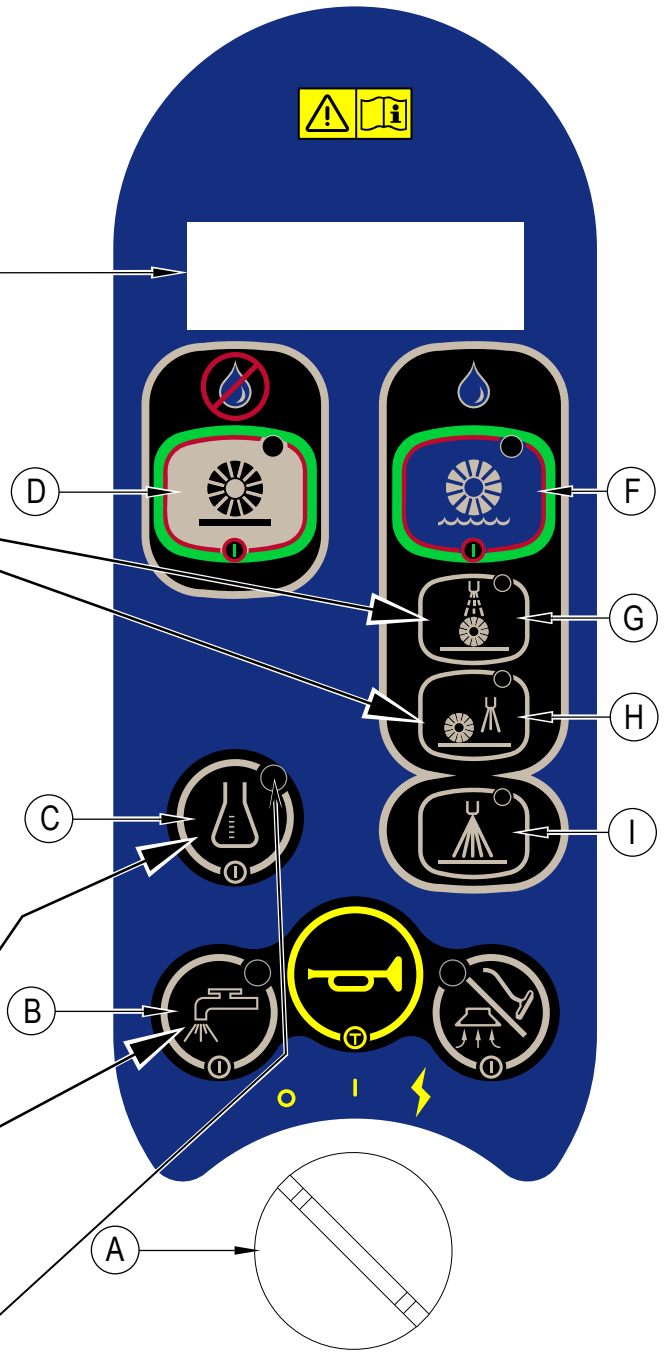

LLENO (REINICIO)

Presione y mantenga presionados (G) y (H) durante 2 segundos para reiniciar.


DETERGENTE BAJO


PURGA

Presione y mantenga presionados (B) y (C) durante 2 segundos para purgar



El sistema de detergente está encendido cuando el indicador está encendido.

MANEJO DE LA MÁQUINA: MODO DE BARRIDO

¡ADVERTENCIA!

Asegúrese de que comprende los controles del operador y sus funciones.

Al circular sobre rampas o pendientes, evite las paradas bruscas si lleva carga. Evite las curvas muy cerradas. Circule lentamente al bajar pendientes. Si está en una rampa, limpie sólo al subir la misma (elevándose)

¡PRECAUCIÓN!

Un barrido con un depósito de solución en seco podría reducir la vida útil de la bomba de solución que alimenta el sistema de nebulización.

LLENADO DEL DEPÓSITO DE LA SOLUCIÓN

Con el barrido, el ES4000 utiliza un sistema de nebulización que atomiza agua a la corriente de aire para humedecer el polvo que se absorbe en el depósito de recuperación. Es importante que haya agua en el depósito de la solución todo el tiempo durante el barrido de modo que el polvo no pueda escaparse del sistema. Vuelva a llenar el depósito de la solución antes del barrido siempre que las baterías hayan sido recargadas. En condiciones normales, un depósito de solución lleno debe ser adecuado para abastecer al sistema de nebulización durante un ciclo de batería completo.

Para barrer...

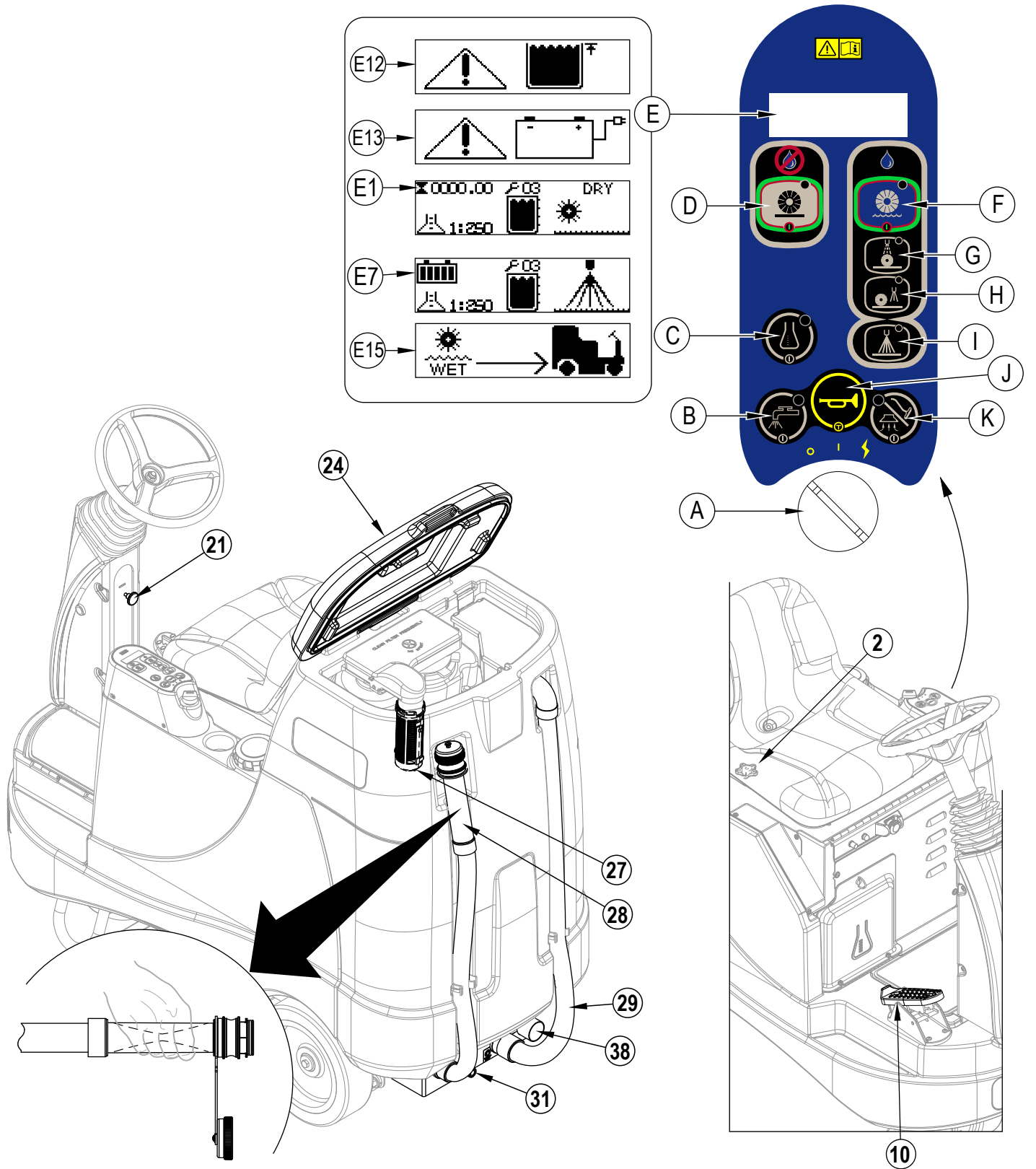
Siga las instrucciones de la sección "Preparación de la máquina para su uso" de este manual. Antes de limpiar en modo de extracción, se debe limpiar toda la zona primero en modo de barrido.

- 1 **Ver la Figura 3.** Sentado en la máquina, ajuste el volante a una posición cómoda mediante el mando de ajuste de la inclinación del volante **(21)**. El asiento se puede ajustar si es necesario inclinando el mismo y utilizando la manija de ajuste **(2)**.
- 2 Encienda (I) el interruptor de llave principal **(A)**. Se encenderán las luces indicadoras del panel de control, el indicador de condición de las baterías **(E7)** y el contador horario **(E1)** antes de proceder.
- 3 Para llevar la máquina a la zona de trabajo, aplique con el pie una presión uniforme en la parte delantera del pedal de tracción **(10)** para ir hacia delante, o en la parte trasera del pedal para ir hacia atrás. Cambie la presión que ejerce en el pedal para obtener la velocidad deseada.
- 4 Si la máquina se utilizó por última vez para extracción, siga las instrucciones "Cambiar al modo de barrido" al final de la sección "Manejar la máquina en modo de extracción" Si la máquina se utilizó por última vez en modo de barrido, simplemente presione el interruptor de encendido/apagado de barrido **(D)** para activar el sistema de barrido.
- 5 Después de encender el sistema de barrido, la plataforma descenderá al piso de inmediato. Cuando el pedal de tracción **(10)** esté en posición hacia adelante o a la inversa, la bomba de la solución, los motores del cepillo, motores de aspiración y la válvula de la cámara de nebulización se encenderán. **NOTA:** Cuando el pedal de tracción se encuentre en una posición neutral **(10)**, la bomba de la solución, los motores del cepillo y la válvula de la cámara de nebulización se apagarán. Después de 10 segundos, si el pedal de tracción **(10)** no se activa, los motores de aspiración se apagarán.
- 6 Empiece a limpiar conduciendo la máquina marcha adelante en línea recta a una velocidad de paseo normal y solape cada trayectoria 2-3 pulgadas (50-75 mm).
Si ingresa poca cantidad o no ingresa líquido al depósito de recuperación, el tanque de la solución podría estar vacío. Vuelva a llenar el depósito de solución con agua.
- 7 El depósito de recuperación tiene un flotador de cierre automático **(27)** para evitar que la solución entre en el sistema de aspiración cuando está lleno el depósito de recuperación. Cuando se activa el flotador de cierre, el sistema de control apaga los sistemas de fregado, aspiración, solución y de detergente. El indicador del llenado del depósito de recuperación **(E12)** se mostrará. Para limpiar la pantalla, alterne el interruptor de llave **(A)**. Hay que vaciar el depósito de recuperación cuando el flotador lo cierra. La máquina **no** recogerá el agua si el flotador está cerrado. **NOTA:** Si el control indica constantemente que el depósito está lleno cuando no lo está, se puede desactivar la opción de cierre automático. Esto debe hacerlo un técnico de mantenimiento cualificado consultando el manual de servicio.
- 8 Cuando el operador quiera dejar de limpiar o el depósito de recuperación esté lleno, presione una vez el interruptor de encendido/apagado de barrido **(D)**. La bomba de la solución y la válvula de la cámara de nebulización se apagarán de inmediato. La plataforma se elevará a su límite superior y los motores del cepillo se apagarán. Cuando se eleve la plataforma, los motores de aspiración se apagarán después de una demora de 10 segundos.
- 9 Conduzca la máquina a un LUGAR establecido para la ELIMINACIÓN de aguas residuales y vacíe el depósito de recuperación. Para vaciarlo, tire del tubo de vaciado **(28)** para sacarlo de su zona de almacenamiento y, a continuación retire el tapón (sostenga el extremo del tubo por encima del nivel de agua para evitar el flujo súbito e incontrolado de agua residual). Vuelva a llenar el depósito de solución y siga limpiando.

Para cambiar a modo de extracción...

- 1 **Ver figura 3.** Presione el interruptor de encendido / apagado de barrido **(D)** para apagar el modo de barrido.
- 2 Presione el interruptor de encendido / apagado **(F)** de extracción para activar el modo de extracción.
- 3 La pantalla LCD **(E)** mostrará el visualizador **(E15)** y el claxon sonará para indicar que el tubo de recuperación **(29)** debe cambiarse a la conexión de recogida en húmedo.
- 4 Después de cambiar el tubo de recuperación **(29)** a la conexión de recogida en húmedo **(38)** presione el interruptor de encendido / apagado de extracción **(F)** para aceptar el cambio del tubo. Presione el interruptor de encendido / apagado **(F)** de extracción para activar el modo de extracción.
- 5 Vea la sección MANEJO DE LA MÁQUINA EN MODO DE EXTRACCIÓN para mayores instrucciones del manejo.

FIGURA 3



MANEJO DE LA MÁQUINA: MODO DE EXTRACCIÓN

¡ADVERTENCIA!

Asegúrese de que comprende los controles del operador y sus funciones.

Al circular sobre rampas o pendientes, evite las paradas bruscas si lleva carga. Evite las curvas muy cerradas. Circule lentamente al bajar pendientes. Si está en una rampa, limpie sólo al subir la misma (elevándose)

Para extraer

Siga las instrucciones de la sección "Preparación de la máquina para su uso" de este manual. Antes de limpiar en modo de extracción, se debe limpiar toda la zona primero en modo de barrido.

- 1 **Ver la Figura 4.** Sentado en la máquina, ajuste el volante a una posición cómoda mediante el mando de ajuste de la inclinación del volante (21). El asiento se puede ajustar si es necesario inclinando el mismo y utilizando la manija de ajuste (2).
- 2 Encienda (I) el interruptor de llave principal (A). Se encenderán las luces indicadoras del panel de control, el indicador de condición de las baterías (E7) y el contador horario (E1) antes de proceder.
- 3 Para llevar la máquina a la zona de trabajo, aplique con el pie una presión uniforme en la parte delantera del pedal de tracción (10) para ir hacia adelante, o en la parte trasera del pedal para ir hacia atrás. Cambie la presión que ejerce en el pedal para obtener la velocidad deseada.
- 4 Si la máquina se utilizó por última vez para barrido, siga las instrucciones "Cambiar al modo de extracción" al final de la sección "Manejar la máquina en modo de barrido" Si la máquina se utilizó por última vez en modo de extracción, presione el interruptor de encendido / apagado de extracción (F), interruptor de modo mantenimiento (G), interruptor de modo restauración (H) o el interruptor de modo pulverización previa (I) para activar el sistema de extracción. **NOTA:** El modo mantenimiento (G) es la configuración por defecto en la puesta en marcha inicial. El sistema de detergente se encuentra apagado por defecto. Se puede encender o apagar en cualquier momento presionando el interruptor de encendido / apagado de detergente (C).
- 5 Si se selecciona tanto el interruptor del modo mantenimiento (G) o interruptor del modo restauración (H), el portacepillo y las zapatas de aspiración automáticamente descienden al piso. Cuando el pedal de tracción (10) está en posición hacia adelante, la bomba de la solución, los motores del cepillo, los motores de aspiración y ya sea la válvula de mantenimiento o la válvula de restauración se activan. **NOTA:** Cuando el pedal de tracción se encuentre en una posición neutral o inversa (10), la bomba de la solución, los motores del cepillo y ya sea la válvula de mantenimiento o la válvula de restauración se apagarán. Después de 10 segundos, si el pedal de tracción (10) no se activa hacia adelante, los motores de aspiración se apagarán.

Si se selecciona el interruptor del modo pulverización previa (I), el portacepillo automáticamente desciende al piso. Cuando el pedal de tracción se encuentra activado hacia adelante (10), la bomba de la solución, los motores del cepillo y la válvula de restauración se activarán. La bomba de detergente se activará a una velocidad específica.

NOTA: Cuando el pedal de tracción se encuentre en una posición neutral o inversa (10), la bomba de la solución, los motores del cepillo, la bomba de detergente y la válvula de restauración se apagarán.

- 6 Empiece a limpiar conduciendo la máquina marcha adelante en línea recta a una velocidad de paseo normal y solape cada trayectoria 2-3 pulgadas (50-75 mm). Apague el interruptor de la solución (B) antes de girar para garantizar la completa extracción de la solución de la moqueta. Ajuste la velocidad de la máquina cuando sea necesario según el estado de la moqueta.
Si ingresa poca cantidad o no ingresa fluido al depósito de recuperación, el depósito de la solución podría estar vacío. Vuelva a llenar el depósito de solución con agua.
- 7 El depósito de recogida tiene un flotador de cierre automático (27) para evitar que la solución entre en el sistema de aspiración cuando está lleno el depósito de recuperación. Cuando se activa el flotador de cierre, el sistema de control apaga los sistemas de fregado, aspiración, solución y de detergente. El indicador del llenado del depósito de recuperación (E12) se mostrará. Para limpiar la pantalla, alterne el interruptor de llave (A). Hay que vaciar el depósito de recuperación cuando el flotador lo cierra. La máquina no recogerá el agua si el flotador está cerrado. **NOTA:** Si el control indica constantemente que el depósito está lleno cuando no lo está, se puede desactivar la opción de cierre automático. Esto debe hacerlo un técnico de mantenimiento cualificado consultando el manual de servicio.
- 8 Cuando el operador quiera dejar de limpiar o el depósito de recuperación esté lleno, presione una vez el interruptor de encendido/apagado de extracción (F). La bomba de la solución, la bomba de detergente y los tres solenoides de la solución se apagarán de inmediato. La plataforma se elevará a su límite superior y los motores del cepillo se apagarán. Después de una demora de 3 segundos, las zapatas de aspiración se elevarán. Cuando se eleve la plataforma, los motores de aspiración se apagarán después de una demora de 10 segundos.
- 9 Conduzca la máquina a un LUGAR establecido para la ELIMINACIÓN de aguas residuales y vacíe el depósito de recuperación. Para vaciarlo, tire del tubo de vaciado (28) para sacarlo de su zona de almacenamiento y, a continuación retire el tapón (sostenga el extremo del tubo por encima del nivel de agua para evitar el flujo súbito e incontrolado de agua residual). Vuelva a llenar el depósito de solución y siga limpiando.

NOTA: Asegúrese de que la tapa del depósito de recuperación (24) y el tapón del tubo de vaciado del depósito de recuperación (28) estén bien asentados o la máquina no recogerá el agua correctamente.

Cuando sea necesario recargar las baterías, se encenderá el indicador de corte de bajo voltaje (E13). Los cepillos, bombas y solenoides se apagarán y la plataforma se elevará. Lleve la máquina a una zona de mantenimiento y recargue las baterías de acuerdo con las instrucciones de la sección de baterías de este manual.

Para cambiar a modo de barrido...

- 1 **Ver figura 4.** Presione el interruptor de encendido / apagado de extracción (F) para apagar del modo de extracción.
- 2 Presione el interruptor de encendido / apagado (D) de barrido para activar el modo de barrido.
- 3 La pantalla LCD (E) mostrará el visualizador (E14) y el claxon sonará para indicar que el tubo de recuperación (29) debe cambiarse a la conexión de recogida en seco (30).
- 4 Después de cambiar el tubo de recuperación (29) a la conexión de recogida en seco (30) presione el interruptor de encendido / apagado de barrido (F) para aceptar el cambio del tubo. Presione el interruptor de encendido / apagado (D) de barrido nuevamente para encender el modo de barrido.
- 5 Vea la sección MANEJO DE LA MÁQUINA EN MODO DE BARRIDO para mayores instrucciones del manejo.

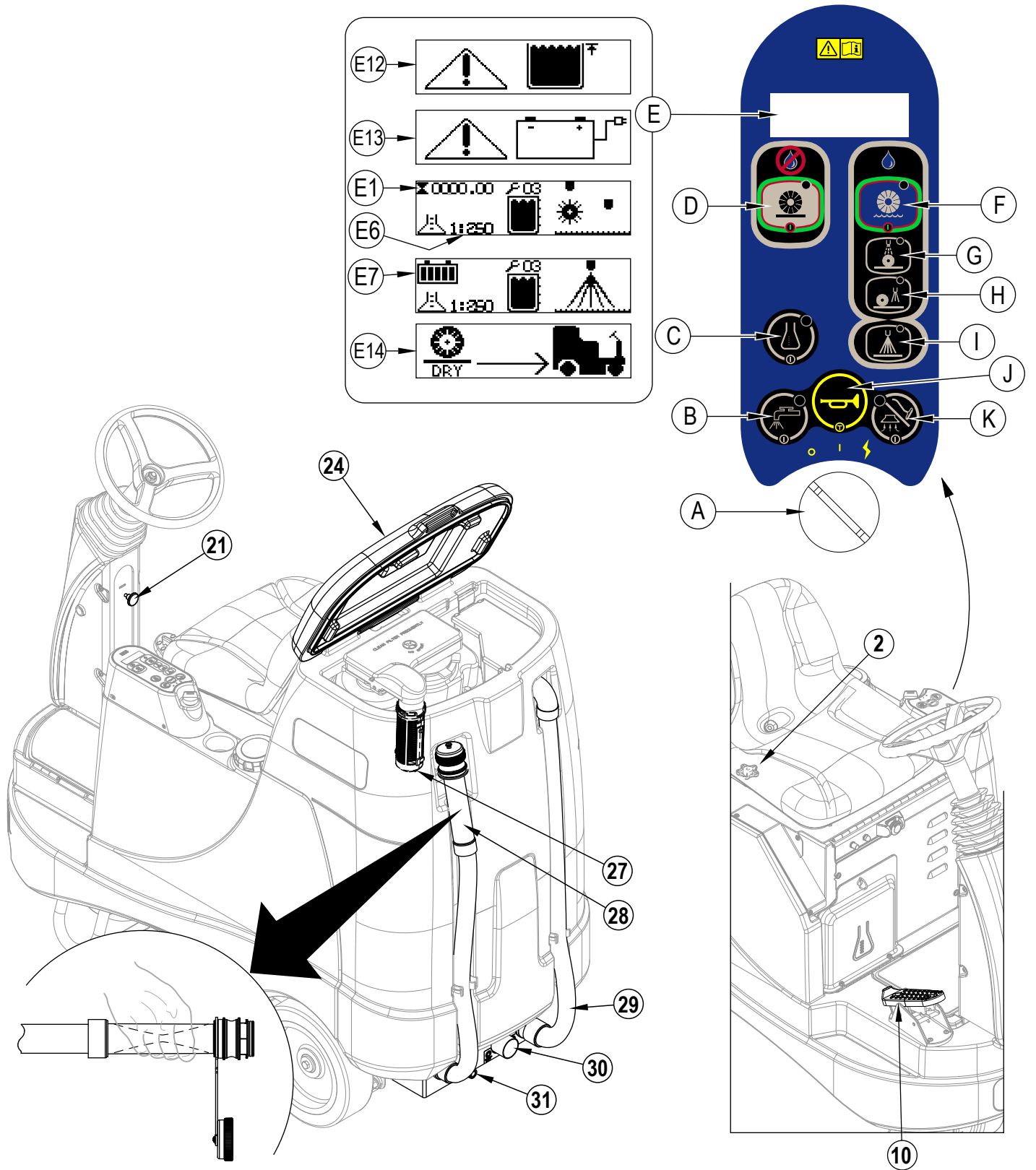
USO DE ACCESORIOS

Pasos a seguir para equipar la máquina con accesorios opcionales para limpieza de tapizado y más en detalle.

- 1 Desconecte el tubo de recuperación en la parte posterior de la máquina. Conecte el acoplador y el tubo por medio de herramientas apropiadas de recolección en húmedo al tubo de recuperación.
- 2 Acople la conexión de la solución al puerto del accesorio, ubicado en la parte posterior de la máquina, en el chasis. (Se encuentra disponible un kit de transporte de varillas opcional a través de Advance).
- 3 Enciende el interruptor de llave principal (A) mientras el asiento del conductor de la máquina no está ocupado, luego presione el interruptor de encendido / apagado de aspiración (K). El motor de aspiración funcionará de forma continua hasta que se vuelva a pulsar el interruptor para apagarlo. **NOTA:** Si el control indica constantemente que el tanque está lleno cuando no lo está, se puede deshabilitar la opción de cierre automático, esto debe hacerlo un técnico de mantenimiento cualificado.

NOTA DE SERVICIO: Consulte el manual de servicio para obtener las descripciones funcionales detalladas de todos los controles y la programabilidad opcional.

FIGURA 4



DESPUÉS DE LA UTILIZACIÓN

- 1 Cuando termine de limpiar, presione el interruptor de encendido / apagado de extracción (F) o el interruptor de encendido / apagado de barrido (D), automáticamente elevará, replegará y detendrá todos los sistemas de la máquina (cepillo, aspiración y solución). A continuación conduzca la máquina a la zona de mantenimiento para el mantenimiento diario y la revisión de otros servicios necesarios.
- 2 Para vaciar el depósito de solución, retire el tubo de vaciado de la solución (16) de su pinza de almacenamiento. Dirija el tubo al LUGAR establecido para la ELIMINACIÓN de residuos y retire el tapón. Enjuague el depósito con agua limpia.
- 3 Para vaciar el depósito de recuperación, retire el tubo de vaciado del depósito de recuperación (28) de su zona de almacenamiento. Dirija la tubería al LUGAR establecido para la ELIMINACIÓN de aguas residuales y retire el tapón (sostenga el extremo de la tubería por encima del nivel de agua para evitar el flujo súbito e incontrolado de agua residual). Enjuague el depósito de recuperación con agua limpia.
- 4 Retire los cepillos, enjuague con agua caliente y retire restos de hilos, cabello o fibras de la moqueta.
- 5 Desconecte el tubo de recuperación del depósito de recuperación y lave con agua caliente para eliminar los residuos del tubo de recuperación y de la zapata de aspiración.
- 6 Retire la tolva de residuos y límpiela cuidadosamente. Extraiga del lado izquierdo o derecho de la máquina, levantando la tolva e inclinándola hacia adelante, luego extráigala.
- 7 Compruebe el programa de mantenimiento que viene a continuación y realice cualquier operación de mantenimiento necesaria antes de guardar la máquina.

PROGRAMA DE MANTENIMIENTO

OPERACIÓN DE MANTENIMIENTO	Diario	Semanal	Mensual	Anual
Recarga de baterías	X			
Limpiar e inspeccionar depósitos y tubos	X			
Limpiar e inspeccionar los cepillos de alimentación	X			
Limpiar e inspeccionar las zapatas de aspiración	X			
Limpiar e inspeccionar el flotador de cierre de la aspiración	X			
Limpiar e inspeccionar los filtros de espuma del motor de aspiración	X			
Vaciar la tolva de residuos	X			
Limpiar las boquillas de pulverización		X		
Comprobar el nivel de agua de todas las células de las baterías		X		
Inspeccionar los zócalos del portacepillos		X		
Inspeccionar y limpiar el filtro de la solución		X		
Comprobar el desgaste y el ajuste de los frenos de pie y de estacionamiento		X		
Purgar el sistema de inyección de detergente		X		
Lubricación - accesorios de engrase			X	
*Verificar los cepillos de carbono				X

* Haga que Advance compruebe las escobillas de carbono del motor de aspiración una vez al año o transcurridas 300 horas de funcionamiento. Compruebe las escobillas de carbono de los motores de tracción y fregado cada 350 horas o una vez al año.

NOTA: Para obtener más información sobre mantenimiento y reparaciones, consulte el Manual de servicio.

- 8 Almacene la máquina en un lugar interior, limpio y seco. Protéjala frente a la congelación. Deje los depósitos abiertos para airearlos.
- 9 Apague (O) el interruptor de llave / encendido principal (A) y quite la llave.

MANTENIMIENTO DE LA ZAPATA DE ASPIRACIÓN

Verifique las zapatas de aspiración diariamente, pueden extraerse para asistir en la limpieza, vea "Extraer las zapatas de aspiración". Retire cualquier resto de hilos, pelos o fibras de la moqueta.

MANTENIMIENTO DE LA BOQUILLA DE PULVERIZACIÓN

Retire las boquillas de pulverización una vez a la semana. Introduzca las boquillas en una solución de agua y vinagre durante toda la noche para eliminar cualquier depósito de productos químicos.

LUBRICACIÓN DE LA MÁQUINA

Una vez al mes, ponga una pequeña cantidad de grasa en todos los accesorios de engrase de la máquina hasta que la grasa salga por alrededor de los cojinetes.

Los lugares donde se encuentran los accesorios de engrase son:

- Junta universal del árbol del volante

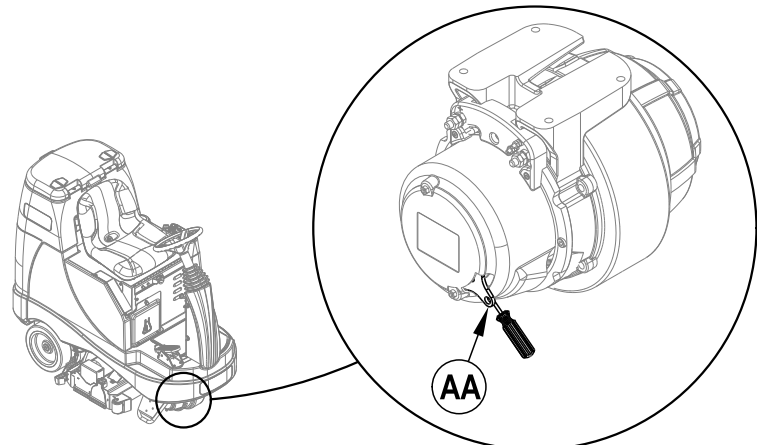
Una vez al mes, aplique aceite para máquinas suave y lubrique lo siguiente:

- Cadena de dirección
- Puntos generales de pivotaje de la junta del portacepillos

FRENO ELECTROMAGNÉTICO

Ver la Figura 5. El conjunto de la rueda motriz (9) tiene un freno electromagnético integrado que se activa siempre que el conmutador de llave (A) esté apagado o el pedal de tracción (10) esté en la posición neutra. Este freno puede desactivarse manualmente cuando sea necesario insertando un destornillador mediano o grande detrás de la brida (AA) como se muestra. Esto sólo debe realizarse en caso de que necesite empujar o tirar de la unidad.

FIGURA 5



LIMPIEZA DE LOS FILTROS DEL MOTOR DE ASPIRACIÓN

Limpie los filtros del motor de aspiración diariamente con aire comprimido. Para filtros extremadamente sucios, lave con agua caliente y jabón y enjuague por completo con agua limpia. Permita que los filtros se sequen **completamente** antes de volver a instalar la máquina. **NOTA DE MANTENIMIENTO:** Disponga de un segundo juego de filtros para utilizar cuando el primer juego se esté secando.

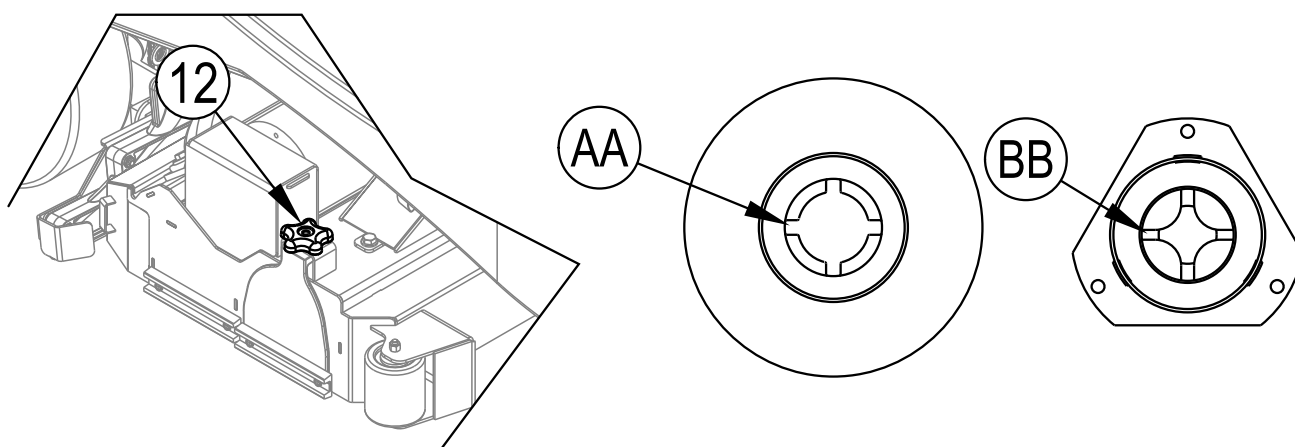
MANTENIMIENTO DEL CEPILLO ELÉCTRICO

Compruebe los cepillos diariamente. Retire cualquier resto de hilos, pelos o fibras de la moqueta. Compruebe la longitud de las cerdas. Haga que un técnico de mantenimiento cambie el cepillo cuando sus cerdas se hayan desgastado a 1/2 pulgadas (12,7 mm).

EXTRACCIÓN DEL CEPILLO DELANTERO

- 1 Ver Figura 6. Apague el interruptor de llave (A).
- 2 Desatornille la manija de extracción del cepillo (12) en la parte superior del montaje intermedio y extráigalo. Deslice el cepillo hacia afuera del alojamiento del portacepillo.
- 3 Para volver a instalar, deslice el cepillo en el alojamiento, levante ligeramente, empuje y gire hasta que se asiente. **NOTA:** Asegúrese de que las ranuras (AA) en el extremo del cepillo se encuentren alineadas y se asienten firmemente en las lengüetas (BB) en el montaje del extremo de tracción. Vuelva a instalar el conjunto intermedio y asegure la manija (12).

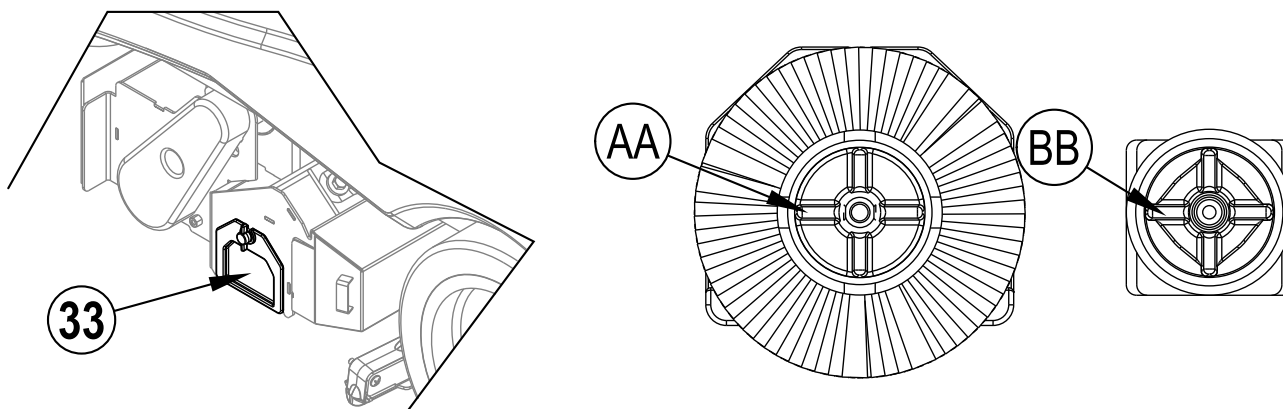
FIGURA 6



EXTRACCIÓN DEL CEPILLO TRASERO

- 1 Ver Figura 7. Apague el interruptor de llave (A).
- 2 Desatornille la manija en T mientras sostiene el panel de acceso al cepillo trasero (33) y deslice el panel (33). Deslice el cepillo hacia afuera del alojamiento del portacepillo.
- 3 Para volver a instalar, deslice el cepillo en el alojamiento, levante ligeramente, empuje y gire hasta que se asiente. **NOTA:** Asegúrese de que las ranuras (AA) en el extremo del cepillo se encuentren alineadas y se asienten firmemente en las lengüetas (BB) en el montaje del extremo de tracción. Vuelva a instalar los conjuntos intermedios y asegure la manija (12).

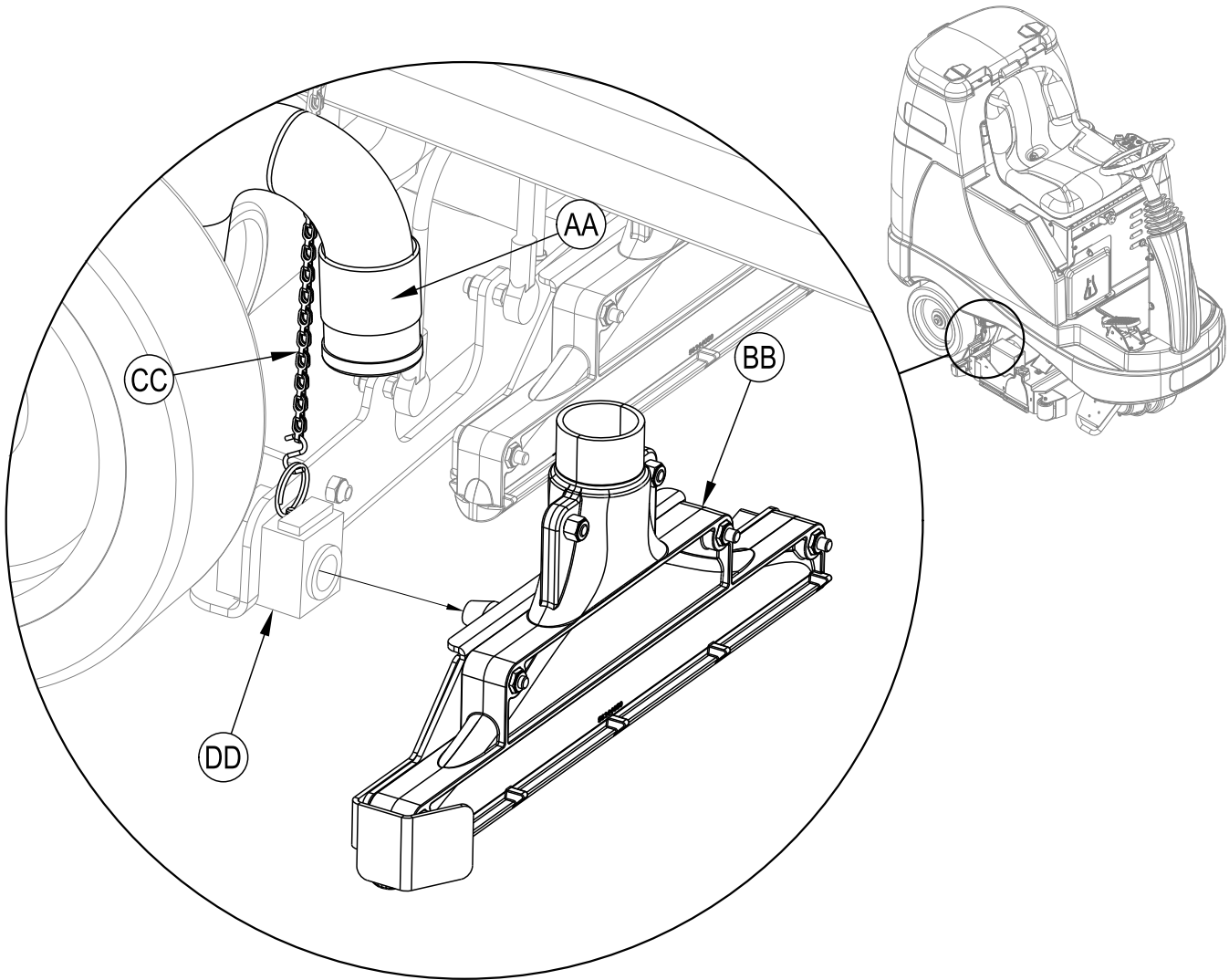
FIGURA 7



EXTRACCIÓN DE ZAPATAS DE ASPIRACIÓN

- 1 Ver Figura 8. Apague el interruptor de llave (A).
- 2 Desconecte el tubo de aspiración (AA) de la zapata de aspiración (BB) y tire hacia arriba de la cadena dorada (CC). Deslice la zapata de aspiración (BB) hacia afuera de la soldadura de soporte de la zapata (DD). **NOTA:** El procedimiento es igual para ambas zapatas de aspiración pero se debe extraer primero la zapata derecha antes de extraer la izquierda.
- 3 Para volver a instalar es en forma inversa a la extracción.

FIGURA 8



RECARGA DE BATERÍAS HÚMEDAS

Recargue las baterías cada vez que se utilice la máquina o cuando el indicador de batería (E7) presente un nivel inferior al de carga completa.

¡ADVERTENCIA!

No rellene las baterías antes de recargarlas.

Recargue las baterías exclusivamente en una zona bien ventilada.

No fume mientras maneja las baterías.

Cuando maneja las baterías...

- * Qítense todas las joyas
- * No fume
- * Lleve gafas de seguridad, un delantal de goma y guantes de goma
- * Trabaje en una zona bien ventilada
- * No permita que las herramientas toquen simultáneamente más de un borne de la batería
- * Al sustituir las baterías, desconecte SIEMPRE en primer lugar el cable (de tierra) negativo para evitar chispas.
- * Al instalar las baterías, conecte SIEMPRE el cable negativo al final.

Si su máquina está equipada con cargador de baterías a bordo, realice lo siguiente:

Apague el interruptor de llave (A). Abra la puerta de acceso al compartimiento de las baterías (19) y al cargador de las baterías (8) para que haya una ventilación adecuada. Desenrolle el cable eléctrico del lado del cargador de a bordo y enchúfelo en una toma de corriente con la puesta a tierra adecuada. Consulte el manual del producto OEM para obtener instrucciones de funcionamiento más detalladas.

Si su máquina se entrega sin cargador de baterías a bordo, realice lo siguiente:

Abra el compartimiento de las baterías (19) y ajuste la varilla de apoyo (32). Desconecte las baterías de la máquina e introduzca el conector del cargador en el conector del conjunto de baterías (34). Siga las instrucciones que aparecen encima del cargador de las baterías. **NOTA DE SERVICIO:** Asegúrese de que enchufa el cargador de baterías en el conector que se acopla a las baterías.

¡PRECAUCIÓN!

Para evitar daños a la superficie del suelo, limpie siempre el agua y el ácido de la parte superior de las baterías después de la recarga.

COMPROBACIÓN DEL NIVEL DE AGUA DE LAS BATERÍAS

Compruebe el nivel de agua de las baterías al menos una vez a la semana.

Después de cargar las baterías, retire las cubiertas de ventilación y compruebe el nivel de agua de todas células de las baterías. Utilice agua destilada o desmineralizada en un dispensador de relleno de baterías (disponible en la mayoría de las tiendas de materiales para coches) para llenar todas las células hasta el indicador de nivel (o hasta 10 mm por encima de la parte superior de los separadores). ¡NO rellene demasiado las baterías!

¡PRECAUCIÓN!

Si las baterías están demasiado llenas se puede salpicar ácido al suelo.

Apriete las cubiertas de ventilación. Limpie las partes superiores de las baterías con una solución de levadura química y agua (2 cucharadas de levadura química en 1 litro de agua).

RECARGA DE BATERÍAS DE GEL (VRLA)

Recargue las baterías cada vez que se utilice la máquina o cuando el indicador de batería (E7) presente un nivel inferior al de carga completa.

¡ADVERTENCIA!

Recargue las baterías exclusivamente en una zona bien ventilada.

No fume mientras maneja las baterías.

Cuando maneja las baterías...

- * Qítense todas las joyas
- * No fume
- * Lleve gafas de seguridad, un delantal de goma y guantes de goma
- * Trabaje en una zona bien ventilada
- * No permita que las herramientas toquen simultáneamente más de un borne de la batería
- * Al sustituir las baterías, desconecte SIEMPRE en primer lugar el cable (de tierra) negativo para evitar chispas.
- * Al instalar las baterías, conecte SIEMPRE el cable negativo al final.

¡PRECAUCIÓN!

La batería de plomo ácido con regulación de tensión (VRLA) ofrece una vida útil y unas prestaciones superiores ¡SÓLO SI SE RECARGA CORRECTAMENTE! Una recarga insuficiente o excesiva reducirá la vida útil de la batería y limitará sus prestaciones. ¡Asegúrese de SEGUIR AL PIE DE LA LETRA LAS INSTRUCCIONES DE RECARGA! ¡NO INTENTE ABRIR ESTA BATERÍA! Si la batería VRLA se abre, pierde su presión y las placas se contaminan de oxígeno. LA GARANTÍA QUEDA ANULADA SI LA BATERÍA SE ABRE.

Si su máquina está equipada con cargador de baterías a bordo, realice lo siguiente:

Apague el interruptor de llave (A). Abra la puerta de acceso al compartimiento de las baterías (19) y al cargador de las baterías (8) para que haya una ventilación adecuada. Desenrolle el cable eléctrico del lado del cargador de a bordo y enchúfelo en una toma de corriente con la puesta a tierra adecuada. Consulte el manual del producto OEM para obtener instrucciones de funcionamiento más detalladas.

Si su máquina se entrega sin cargador de baterías a bordo, realice lo siguiente:

Abra el compartimiento de las baterías (19) y ajuste la varilla de apoyo (32). Desconecte las baterías de la máquina e introduzca el conector del cargador en el conector del conjunto de baterías (34). Siga las instrucciones que aparecen encima del cargador de las baterías. **NOTA DE SERVICIO:** Asegúrese de que enchufa el cargador de baterías en el conector que se acopla a las baterías.

IMPORTANTE: Asegúrese de que dispone de un cargador adecuado para su uso con baterías de células de gel. Utilice únicamente cargadores de "regulación de tensión" o de "limitación de tensión". NO DEBEN utilizarse cargadores de corriente variable o de corriente constante estándar. Se recomienda el uso de un cargador sensible a la temperatura, dado que los ajustes manuales nunca son precisos y dañarán cualquier batería VRLA.

SOLUCIÓN DE PROBLEMAS GENERALES DE LA MÁQUINA

Problema	Posible causa	Solución
Recogida escasa del agua	Depósito de recuperación lleno	Vacíe el depósito de recuperación
	Fuga en la tubería de drenaje del depósito de recuperación	Sujete la tapa de la tubería de drenaje o sustitúyala
	Fuga en la junta de la tapa del tanque de recuperación	Sustituya la junta / Asiente correctamente la tapa
	Residuos atrapados en las zapatas de aspiración	Limpie las zapatas de aspiración
	Tubo de aspiración obstruido	Retire los residuos
Función de extracción insuficiente	Tapa de filtro de espuma no asentada	Asiente la tapa correctamente
	Cepillos desgastados	Róte o sustituya los cepillos
	Limpiador químico incorrecto	Consulte con Advance
	Movimiento demasiado rápido de la máquina.	Reduzca la velocidad.
Flujo de solución inapropiado o sin solución	Depósito de solución vacío	Llene el depósito de solución
	Tuberías, válvulas, filtro o chorros de pulverización de la solución obstruidos	Enjuague tuberías y limpie el filtro de la solución y chorros de pulverización.
	La válvula de control de la solución se encuentra en posición cerrada	Coloque a la manija de la válvula de control en posición abierta.
	Válvulas solenoides de la solución	Limpie o sustituya las válvulas
La máquina no funciona	Interruptor de parada de emergencia saltado	Vuelva a conectar los conectores de las baterías
	Conmutador de seguridad del asiento del operador	Compruebe si existe un cortocircuito y sustituya
	Controlador principal del sistema	Verifique códigos de error(ver manual de servicio)
Ausencia de tracción de las ruedas marcha adelante/atrás	Disyuntor de 10 A saltado.	Compruebe si existe un cortocircuito eléctrico y reinicie
	Controlador de velocidad del sistema de tracción	Verifique códigos de error(ver manual de servicio)
	Disyuntor de 70 A saltado.	Compruebe si se ha producido una sobrecarga del motor de tracción
La aspiración se apaga y la pantalla indica "Recovery Tank FULL indicator" (indicador de depósito de recuperación LLENO) cuando el depósito de recuperación no está lleno (E12)	Interruptor de parada de emergencia saltado	Vuelva a conectar los conectores de las baterías
	Tubo(s) de aspiración bloqueados	Limpie los residuos
Barrido poco eficaz	Aspirar grandes cantidades de agua a una alta velocidad	Reduzca la velocidad o desactive la función de apagado automático (consulte el manual de servicio)
	Tolva de residuos llena	Vacíe y limpie la tolva
No hay flujo de detergente	Cepillos gastados	Reemplace los cepillos.
	Las cerdas han adquirido una forma	Invierta los cepillos
	Cartucho de detergente vacío	Llene cartucho de detergente
	Línea de flujo de detergente obstruida o torcida	Purgue el sistema, coloque en posición derecha las tuberías para eliminar dificultades.
	Tapa de junta seca en cartucho de detergente sin sellar	Selle tapa de junta seca
	Conexión de cables de la bomba de detergente desconectada o hacia atrás.	Conecte o reconecte cableado

ESPECIFICACIONES TÉCNICAS (SEGÚN LA INSTALACIÓN Y LAS PRUEBAS DE LA UNIDAD)

Modelo		ES4000
Nº de modelo		56344200 / 56344210
Tensión, baterías	V	24V
Capacidad de la batería	Ah	238 Ah
Grado de protección		IPX3
Nivel de presión sonora (ISO 11201)	dB (A)	65dB LpA, 3dB KpA
Peso bruto	lbs / kg	1447 lbs / 656 kg
Carga máxima en suelo de rueda (frontal central)	psi / N/mm ²	178.64 / 1.232
Carga máxima en suelo de rueda (posterior derecha)	psi / N/mm ²	150.81 / 1.040
Carga máxima en suelo de rueda (posterior izquierda)	psi / N/mm ²	130.61 / 0.901
Vibraciones en los controles manuales (ISO 5349-1)	m/s ²	.22m/s ² (.044 m/s ² uncertainty)
Vibraciones en el asiento (EN 1032)	m/s ²	.02m/s ² (.004 m/s ² uncertainty)
Capacidad de ascenso		
Transporte		16% (9°)
Limpieza		9% (5°)

TABLE DES MATIÈRES

	page
Introduction.....	C-2
Avertissements.....	C-3
Apprenez à connaître votre machine.....	C-4 - C-5
Panneau de commande.....	C-6
Préparation à l'utilisation de la machine	
Installation des batteries.....	C-7
Remplissage du réservoir de solution.....	C-8
Prévaporisation du tapis.....	C-8
Plan de nettoyage.....	C-8
Préparation et utilisation du système de détergent.....	C-8 - C-9
Fonctionnement de la machine	
Fonctionnement de la machine – Mode Balayage.....	C-10 - C-11
Fonctionnement de la machine – Mode Extraction.....	C-12 - C-13
Utilisation des accessoires.....	C-12
Après l'utilisation.....	C-14
Programme d'entretien.....	C-14
Maintenance du patin d'aspiration.....	C-14
Maintenance du gicleur.....	C-14
Lubrification de la machine.....	C-14
Frein électromagnétique.....	C-14
Nettoyage des filtres du moteur d'aspiration.....	C-15
Maintenance des brosses mécaniques.....	C-15
Démontage de la brosse avant.....	C-15
Démontage de la brosse arrière.....	C-15
Démontage des patins d'aspiration.....	C-16
Chargement des batteries.....	C-17
Vérification du niveau d'électrolyte de la batterie.....	C-17
Dépannage.....	C-18
Spécifications techniques.....	C-19

INTRODUCTION

Ce mode d'emploi vous permettra d'exploiter au maximum les fonctionnalités de votre extracteur autoporté Advance. Lisez-le attentivement avant d'utiliser la machine.

Remarque : les chiffres en gras entre parenthèses indiquent que la pièce figure sur les dessins des pages 4 à 6 de ce manuel.

Ce produit est conçu pour un usage commercial uniquement.

PIÈCES ET SERVICE APRÈS-VENTE

Si nécessaire, les réparations doivent être effectuées par votre centre de service Advance agréé. Ce centre emploie du personnel formé en usine et maintient un inventaire de pièces de rechange et d'accessoires originaux Advance.

Pour tout entretien ou réparation, contactez votre revendeur ADVANCE. Veuillez spécifier le modèle et le numéro de série de votre machine dans toute communication.

PLAQUE D'IDENTIFICATION

Le modèle et le numéro de série de votre machine figurent sur la plaque d'identification située sur la machine. Ces informations sont nécessaires lors de la commande de pièces détachées pour votre machine. Utilisez l'espace ci-dessous pour consigner ces renseignements en vue d'une utilisation ultérieure.

RÉFÉRENCE _____

NUMÉRO DE SÉRIE _____

RÉCEPTION DE LA MACHINE

Lors de la livraison de la machine, veuillez inspecter soigneusement l'emballage et la machine afin de déceler tout dommage éventuel. En cas de dommage manifeste, conservez le carton de conditionnement (au besoin) afin d'en permettre l'inspection. Le cas échéant, prenez immédiatement contact avec le service clientèle d'Advance afin de faire une déclaration de dommage de fret. Veuillez consulter la fiche d'instruction de déballage livrée avec la machine afin d'enlever la machine de la palette.

AVERTISSEMENT !

Les Produits vendus avec le présent manuel contiennent ou peuvent contenir des produits chimiques reconnus par certains gouvernements (comme l'État de Californie, par le biais de la proposition de loi d'avertissement réglementaire 65) comme provoquant des cancers, des anomalies congénitales et autres dangers pour la reproduction. Dans certains endroits (comme l'État de Californie), les acheteurs de ces Produits, qui les utilisent sur un lieu de travail ou dans un espace public, ont l'obligation d'apposer certains avis, avertissements ou informations concernant les produits chimiques qui sont ou peuvent être contenus dans les Produits dans ces lieux ou aux alentours de ces lieux de travail. Il incombe à l'acheteur de connaître les dispositions de, et de respecter, toutes les lois et réglementations ayant trait à l'utilisation de ces Produits au sein de tels environnements. Le Fabricant rejette toute responsabilité d'informer les acheteurs concernant des exigences spécifiques qui peuvent s'appliquer à l'utilisation des Produits dans de tels environnements.

SYMBOLES DES CONSIGNES DE PRUDENCE ET DE SÉCURITÉ

Les symboles reproduits ci-dessous sont utilisés par Advance pour attirer l'attention de l'opérateur sur des situations potentiellement dangereuses. Il est donc conseillé de lire attentivement ces indications et de prendre les mesures adéquates en vue de protéger le personnel et le matériel.

DANGER !

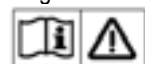
Ce symbole est utilisé pour mettre l'opérateur en garde contre les risques immédiats pouvant entraîner des blessures physiques graves, voire un décès.

AVERTISSEMENT !

Ce symbole est utilisé pour attirer l'attention de l'opérateur sur une situation susceptible d'entraîner des blessures physiques graves.

ATTENTION !

Ce symbole est utilisé pour attirer l'attention de l'opérateur sur une situation qui pourrait entraîner des blessures physiques minimales ou des dommages mineurs de la machine ou autres biens.



Veuillez lire l'ensemble des instructions avant d'utiliser la machine.

CONSIGNES GÉNÉRALES DE SÉCURITÉ

Les consignes spécifiques de prudence et de sécurité mentionnées dans ce document ont pour but de vous informer sur les risques potentiels de dommages matériels ou de blessures physiques.

AVERTISSEMENT !

- Cette machine doit être utilisée uniquement par un personnel parfaitement qualifié et autorisé.
- Évitez les arrêts soudains lorsque la machine en charge se trouve sur des rampes ou des pentes. Évitez les virages serrés. Adoptez une vitesse réduite lorsque la machine est en descente. Ne nettoyez que lorsque la machine monte la pente.
- Éloignez les batteries de toutes flammes, étincelles ou substances fumigènes. Des gaz explosifs sont dégagés lors du fonctionnement normal.
- De plus, du gaz hydrogène explosif s'échappe des batteries lorsqu'elles sont en charge. Ne procédez au chargement des batteries que dans une zone bien ventilée, loin de toute flamme. Ne fumez pas à proximité des batteries lorsqu'elles sont en charge.
- Enlevez tous vos bijoux lorsque vous travaillez à proximité de composants électriques.
- Placez la clé de contact en position d'arrêt (O) et débranchez les batteries avant de procéder à l'entretien des composants électriques.
- Ne travaillez jamais sous une machine sans avoir placé au préalable des blocs de sécurité ou des étais pour soutenir la machine.
- Ne déversez pas des produits nettoyants inflammables, ne faites pas fonctionner la machine sur ou à proximité de tels produits ou dans des zones contenant des liquides inflammables.
- Ne nettoyez pas cette machine avec un nettoyeur à pression.
- N'utilisez pas cette machine pour nettoyer des surfaces dont l'inclinaison est supérieure à celle indiquée sur la machine.

ATTENTION !

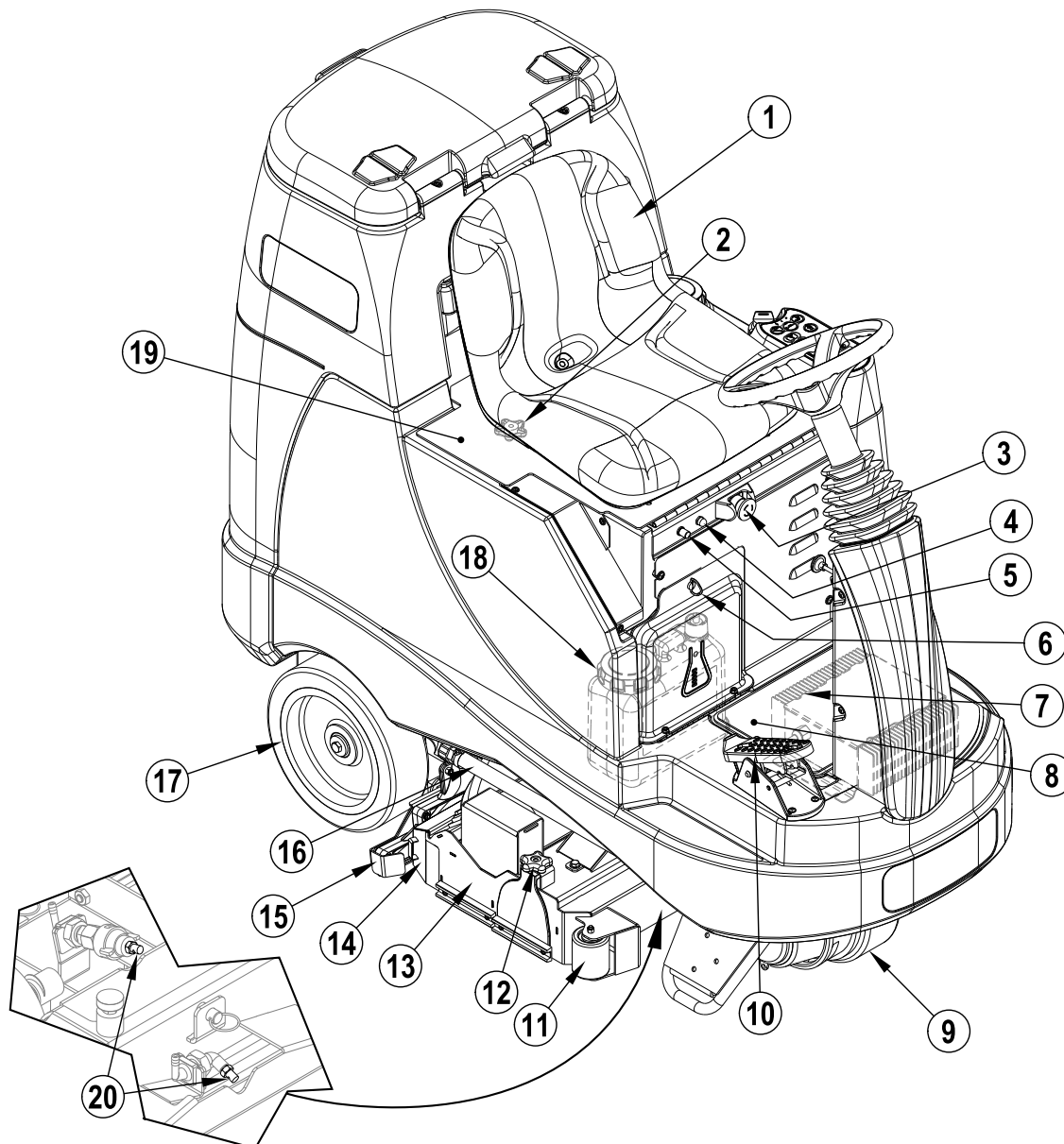
- Cette machine n'est pas conçue pour une utilisation sur les voies publiques.
- Cette machine n'est pas conçue pour le ramassage des poussières dangereuses.
- Lors de l'utilisation de cette machine, assurez-vous que les autres personnes, et notamment les enfants, ne courent aucun risque.
- Avant de procéder à toute opération d'entretien, veuillez lire attentivement toutes les instructions qui s'y rapportent.
- Ne laissez pas la machine sans surveillance sans avoir, au préalable, coupé le contact (O), enlevé la clé de contact et actionné le frein à main.
- Tournez la clé de contact en position d'arrêt (O) avant de remplacer les brosses ou d'ouvrir un panneau d'accès.
- Prenez toutes les mesures nécessaires pour éviter que les cheveux, les bijoux ou les vêtements amples ne soient entraînés dans les parties mobiles de la machine.
- Faites attention lorsque vous déplacez cette machine dans un endroit où la température peut descendre sous zéro. L'eau contenue dans les réservoirs de détergent, de récupération ou de solution ou dans les conduites risquerait de geler et par là même d'endommager les valves et raccords de la machine. Rincez avec un liquide de lave-glace.
- Prenez soin d'enlever les batteries de la machine avant de la mettre au rebut. Pour ce qui est de l'élimination des batteries, conformez-vous aux réglementations locales en matière d'environnement.
- Toutes les portes et couvercles doivent être dans la position mentionnée dans le manuel d'instruction avant de mettre la machine en service.

CONSERVEZ CES CONSIGNES

APPRENEZ À CONNAÎTRE VOTRE MACHINE

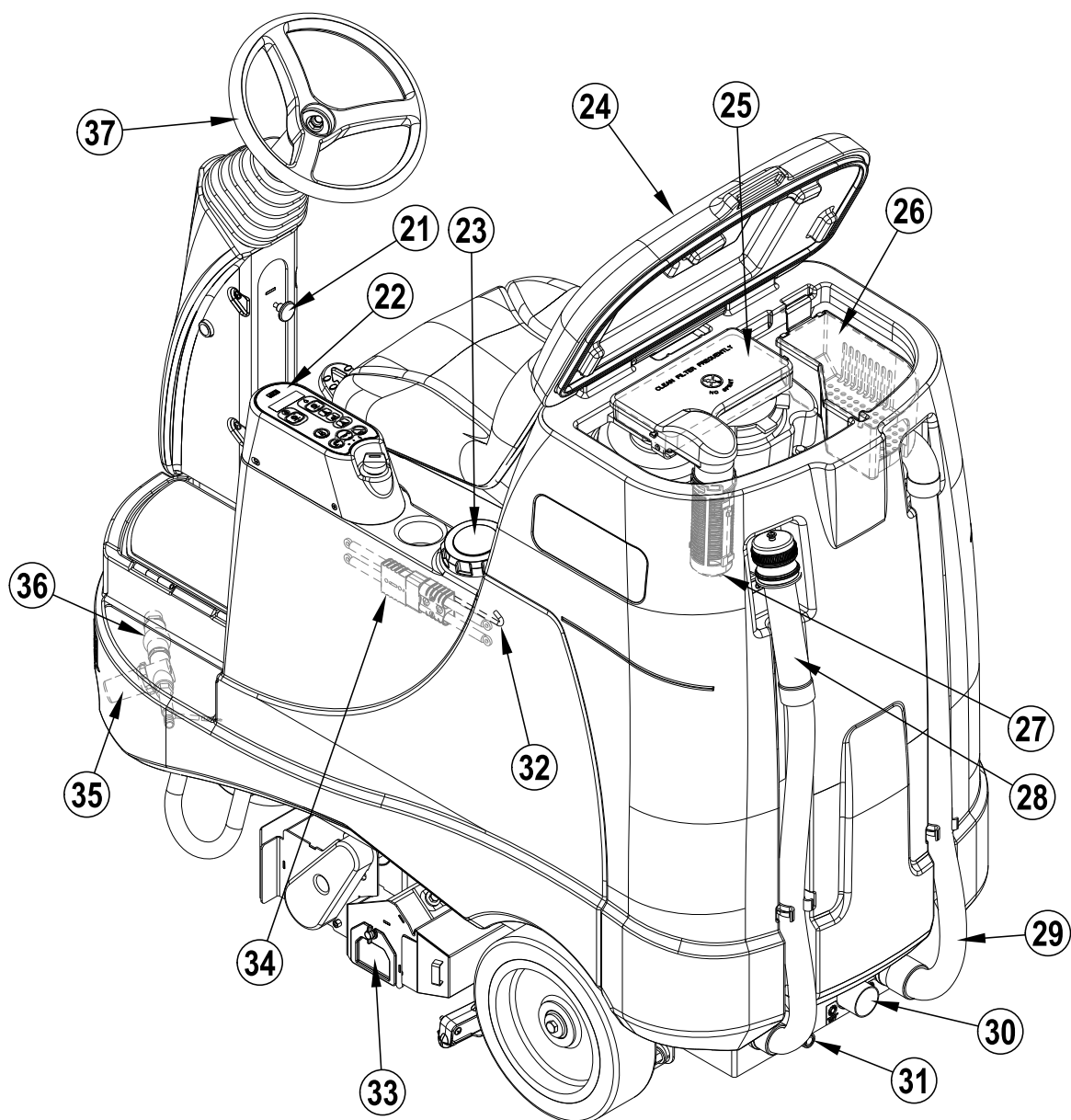
En lisant ce manuel, vous rencontrerez probablement un chiffre ou une lettre en gras et entre parenthèses, tel que : (2). Ces chiffres font référence à un élément repris sur cette page, sauf indication contraire. Reportez-vous à ces pages dès que nécessaire afin de localiser avec précision un élément mentionné dans le texte. **NOTE** : consultez le manuel d'entretien pour obtenir des explications détaillées sur chaque élément illustré dans les 3 pages suivantes.

- | | | | |
|----|--|----|---|
| 1 | Siège de l'opérateur | 11 | Pare-chocs rouleau avant |
| 2 | Bouton de réglage du siège | 12 | Bouton de démontage du bras tendeur de brosse |
| 3 | Arrêt d'urgence | 13 | Plateau de brosse |
| 4 | Disjoncteur du circuit d'allumage (10 A) | 14 | Trémie à débris |
| 5 | Disjoncteur de la roue directrice (70 A) | 15 | Patins d'aspiration |
| 6 | Couvercle d'accès de la cartouche de détergent | 16 | Tuyau de vidange du réservoir de solution |
| 7 | Chargeur de batterie (en option) | 17 | Roue arrière |
| 8 | Trappe d'accès au chargeur de batterie | 18 | Cartouche de détergent |
| 9 | Roue motrice | 19 | Compartment de batteries (sous le siège) |
| 10 | Pédale d'entraînement, direction/vitesse | 20 | Gicleurs de solution |



APPRENEZ À CONNAÎTRE VOTRE MACHINE

- 21 Bouton de réglage de l'inclinaison du volant
- 22 Panneau de commande
- 23 Couvercle du réservoir de solution
- 24 Couvercle du réservoir de récupération
- 25 Compartiment du filtre du moteur d'aspiration
- 26 Panier-filtre
- 27 Système de fermeture à flotteur du réservoir de récupération
- 28 Tuyau de vidange du réservoir de récupération
- 29 Tuyau de récupération
- 30 Connexion de l'accessoire de ramassage de matières sèches
- 31 Orifice pour accessoires
- 32 Tige de support du siège
- 33 Panneau d'accès de la brosse arrière
- 34 Connecteur de batterie de la machine
- 35 Filtre de solution
- 36 Vanne d'arrêt de la solution
- 37 Volant
- 38 Connexion de l'accessoire de ramassage de matières humides



BATTERIES

Si votre machine est livrée avec des batteries installées, procédez comme suit :

- Vérifiez que les batteries sont connectées à la machine (34).
- Mettez l'interrupteur à clé (A) en position de marche et contrôlez le voyant de la batterie (E7). Si la jauge est complètement remplie, les batteries sont prêtes à être utilisées. Si elles ne sont pas chargées, chargez les batteries avant l'utilisation. Consultez la section « Chargement des batteries ».
- **IMPORTANT ! : SI VOTRE MACHINE EST DOTÉE D'UN CHARGEUR DE BATTERIE INTÉGRÉ, VEUILLEZ CONSULTER LE MANUEL DU FABRICANT POUR OBTENIR DES INSTRUCTIONS CONCERNANT LE RÉGLAGE DU CHARGEUR EN FONCTION DU TYPE DE BATTERIE.**

Voir le document TSBUS2008-984 pour les algorithmes les plus récents du chargeur de batteries.

Si votre machine est livrée sans batteries installées, procédez comme suit :

- Consultez votre revendeur Advance agréé pour connaître les modèles de batterie recommandés.
- Installez les batteries en suivant les instructions ci-dessous.
- **N'installez PAS deux batteries de 12 volts dans votre machine. Cela risque d'affecter la stabilité de la machine.**
- **IMPORTANT ! : SI VOTRE MACHINE EST DOTÉE D'UN CHARGEUR DE BATTERIE INTÉGRÉ, VEUILLEZ CONSULTER LE MANUEL DU FABRICANT POUR OBTENIR DES INSTRUCTIONS CONCERNANT LE RÉGLAGE DU CHARGEUR EN FONCTION DU TYPE DE BATTERIE.**

Voir le document TSBUS2008-984 pour les algorithmes les plus récents du chargeur de batteries.

INSTALLATION DES BATTERIES

⚠ AVERTISSEMENT !

Soyez très prudent lorsque vous manipulez les batteries. L'acide sulfurique contenu dans les batteries peut engendrer des blessures graves s'il entre en contact avec la peau ou les yeux. De l'hydrogène explosif sort de l'intérieur des batteries par les orifices aménagés dans les bouchons de batterie. Ce gaz peut s'enflammer en cas de contact avec un arc électrique, une étincelle ou une flamme.

Lors de l'entretien des batteries...

- * Retirez tous vos bijoux.
- * Ne fumez pas.
- * Portez des lunettes de protection, ainsi qu'un tablier et des gants en caoutchouc.
- * Travaillez dans une zone bien aérée.
- * Veillez à ce que les outils ne touchent pas plusieurs bornes de batterie en même temps.
- * Débranchez TOUJOURS le câble de polarité négative lors du remplacement des batteries afin d'éviter des étincelles.
- * Débranchez TOUJOURS le câble négatif en dernier lors de l'installation des batteries.

⚠ ATTENTION !

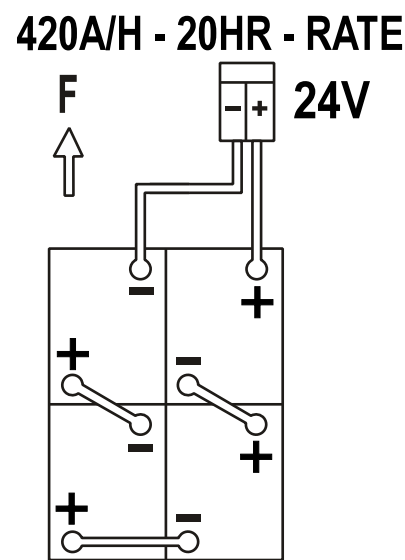
Les composants électriques de cette machine peuvent être gravement endommagés si les batteries ne sont pas installées et branchées correctement. Nous vous conseillons de faire installer les batteries par un technicien Advance ou un électricien qualifié.

- 1 Placez l'interrupteur principal (A) en position d'arrêt (O) et enlevez la clé. Ensuite, basculez le couvercle du compartiment de batteries (19) pour l'ouvrir et réglez la tige de support du siège (32).
- 2 Utilisez une sangle de levage et faites vous aider pour soulever les batteries et les placer sur le plateau, tel qu'illustré sur le dessin. Consultez l'autocollant 56601416 illustrant le schéma de câblage de la batterie.
- 3 **Voir Figure 1** - Installez les câbles de batterie en vous conformant aux indications et serrez les écrous sur les bornes de batterie.
- 4 Installez les raccords de la batterie et attachez-les solidement aux câbles de batterie à l'aide des sangles de serrage fournies.
- 5 Branchez le connecteur du module de batterie au connecteur de la machine (34) et fermez le couvercle du compartiment de batterie.

⚠ ATTENTION !

Avant de remplacer les batteries, consultez le document TSBUS2008-984 ou appelez le service technique aux États-Unis : 800-989-2235 / Canada : 800-668-8400 / Mexique : +52 (55)2591 1002 poste 228

FIGURE 1



CAUTION: Before changing batteries, consult TSBUS2008-984 or call Technical Service at USA: 800-989-2235 / Canada: 800-668-8400 Mexico: +52 (55) 2591 1002 ext.228

REPLISSAGE DU RÉSERVOIR DE SOLUTION (NÉCESSAIRE POUR LES MODES BALAYAGE ET EXTRACTION)

- 1 Lisez l'étiquette relative aux produits d'entretien chimiques et calculez la quantité de produit que vous devez utiliser pour un réservoir ayant une contenance de 110 litres.
- 2 Ouvrez le couvercle du réservoir de solution (23).
- 3 Remplissez d'eau 1/3 du réservoir, ajoutez le produit chimique, puis remplissez le réservoir jusqu'à l'ouverture en laissant un espace de 7,62 cm.

NOTE : la machine peut être utilisée de manière classique en mélangeant le détergent dans le réservoir ou en utilisant le système de détergent. Si vous utilisez le système de distribution de détergent, ne mélangez pas de détergent dans le réservoir et utilisez de l'eau pure.

ATTENTION !

Utilisez des détergents liquides peu moussants, conçus pour le nettoyage des tapis. La température de l'eau ne devrait pas dépasser 54,4 degrés Celsius.

AVANT D'UTILISER L'EXTRACTEUR ES4000

Il n'est pas nécessaire de nettoyer les tapis en profondeur avant d'utiliser l'extracteur automatique ES4000 étant donné que celui-ci est équipé d'un balai et d'une trémie à débris. La zone doit être nettoyée en Mode Balayage avant d'être nettoyée en Mode Extraction.

PRÉVAPORISATION DU TAPIS

Prévaporisez les taches et les zones de forte circulation avant l'extraction. Utilisez un vaporisateur à main ou pressurisé. Préparez le mélange de prévaporisation selon les indications du fabricant de produits chimiques.

PLAN DE NETTOYAGE

Avant de commencer l'extraction, examinez la zone à nettoyer et planifiez votre travail. Divisez l'espace en sections. Les passes doivent se chevaucher de 5 cm.

PRÉPARATION ET UTILISATION DU SYSTÈME DE DÉTERGENT (UTILISÉ UNIQUEMENT EN MODE EXTRACTION)

INSTRUCTIONS GÉNÉRALES :

En appuyant et en relâchant l'interrupteur de détergent (C) en modes Restauration (H), Entretien (G) ou Prévaporisation (I), le système de détergent passera en alternance du fonctionnement à l'arrêt. Quand le système de détergent est en marche, la pompe de détergent est activée à un pourcentage spécifique pendant que la pompe de solution fonctionne. La pompe de détergent s'arrête dès que la pompe de solution n'est pas en marche ou quand le système de détergent est coupé. Sauf si le Mode Prévaporisation (I) est sélectionné, le système de détergent est arrêté par défaut dès que la machine est mise sous tension à l'aide de l'interrupteur à clé (A). Le système de détergent est sélectionné par défaut quand le Mode Prévaporisation (I) est actif. L'interrupteur de marche/arrêt du détergent (C) est inactif quand l'interrupteur du balayage (D) est activé. Les anciens restes de détergent doivent être vidangés avant d'utiliser un détergent différent. **NOTE POUR L'ENTRETIEN :** placez la machine sur une bouche d'écoulement avant de la vidanger car une petite quantité de détergent risque de s'écouler lors du processus.

Vidange lors du changement de produits chimiques :

- 1 Déconnectez et retirez la cartouche de détergent.
- 2 Placez l'interrupteur à clé (A) sur Marche (ON). Appuyez et maintenez enfoncés l'interrupteur de marche/arrêt du détergent (C) et l'interrupteur de marche/arrêt de la solution (B) pendant plus de 2 secondes quand le contrôleur est dans un mode quelconque, sauf s'il est en attente pour lancer un cycle de vidange. **NOTE :** une fois activé, le processus de vidange prend 10 secondes. Consultez l'illustration à la page suivante sur les voyants du système de détergent. Généralement, un cycle de vidange est suffisant pour vidanger le système.

Vidange hebdomadaire :

- 1 Déconnectez et retirez la cartouche de détergent. Installez et connectez une cartouche remplie d'eau claire.
- 2 Placez l'interrupteur à clé (A) sur Marche (ON). Appuyez et maintenez enfoncés l'interrupteur de marche/arrêt du détergent (C) et l'interrupteur de marche/arrêt de la solution (B) pendant plus de 2 secondes quand le contrôleur est dans un mode quelconque, sauf s'il est en attente pour lancer un cycle de vidange. **NOTE :** une fois activé, le processus de vidange prend 10 secondes. Consultez l'illustration à la page suivante sur les voyants du système de détergent. Généralement, un cycle de vidange est suffisant pour vidanger le système.

Lorsque la cartouche de détergent (18) est presque vide, un voyant du panneau d'affichage (E5) s'allume. Ce voyant « Détergent bas » reste allumé jusqu'à ce que vous réinitialisiez le système. Une fois que ce voyant s'allume, vous devriez pouvoir verser la totalité d'une bouteille de 4 litres de détergent environ dans la cartouche afin de la remplir sans vous préoccuper de la quantité de détergent à utiliser. **NOTE :** réinitialisez le système uniquement lorsque la cartouche est pleine. Lorsque vous changez de cartouches, le voyant indiquant un niveau de détergent faible n'est fiable que si la cartouche de remplacement est au même niveau que la cartouche remplacée.

Réinitialisation :

- 1 Placez l'interrupteur à clé (A) sur Marche (ON). Appuyez et maintenez enfoncés l'interrupteur du Mode Entretien (G) et l'interrupteur du Mode Restauration (H) pendant plus de 2 secondes quand les systèmes de solution et de détergent sont activés. L'icône de réinitialisation du détergent s'affiche pendant 5 secondes. Consultez l'illustration à la page suivante sur les voyants du système de détergent.

Pourcentage de détergent :

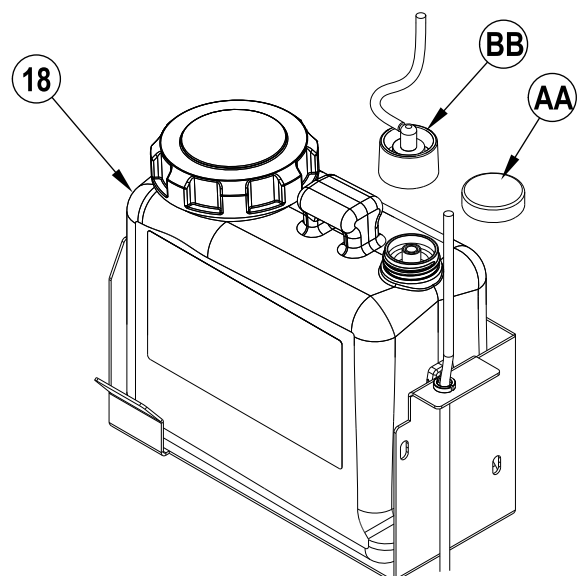
- 1 Le pourcentage préprogrammé peut être réglé. Le système de détergent étant arrêté, appuyez et maintenez enfoncé pendant 2 secondes l'interrupteur de marche/arrêt du détergent (C). Le voyant de détergent clignote. À chaque appui sur l'interrupteur, le cycle avance sur l'échelle des pourcentages disponibles (1:64, 1:75, 1:100, 1:125, 1:150, 1:175, 1:200, 1:250). Dès que le pourcentage désiré est affiché à l'écran (E6), arrêtez. Il se bloquera après 5 secondes.

INSTRUCTIONS POUR LA CARTOUCHE :

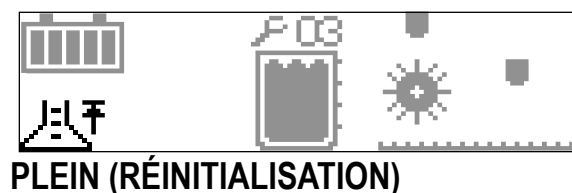
La cartouche de détergent (18) est située derrière le couvercle d'accès à la cartouche de détergent (6) dans le compartiment opérateur. Remplissez la cartouche de détergent avec 1,25 gallon (4,73 litres maximum) de détergent. **NOTE POUR L'ENTRETIEN :** retirez la cartouche de détergent de son logement avant de la remplir, afin d'éviter de faire couler du détergent sur la machine.

Nous vous recommandons d'utiliser une cartouche différente pour chaque détergent que vous souhaitez utiliser. Les cartouches de détergent comportent un autocollant blanc afin que vous puissiez écrire le nom du détergent sur chaque cartouche pour éviter de les mélanger. Lorsque vous installez une nouvelle cartouche, retirez le bouchon (AA) et placez la cartouche dans le boîtier de détergent. Installez le bouchon de frein sec (BB) et le tuyau de détergent comme indiqué.

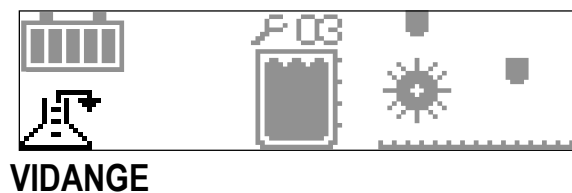
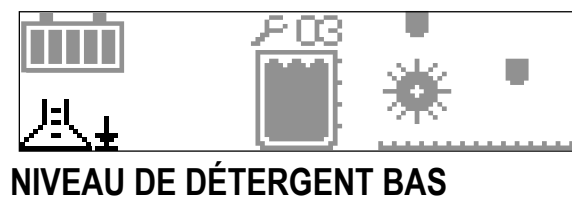
FIGURE 2



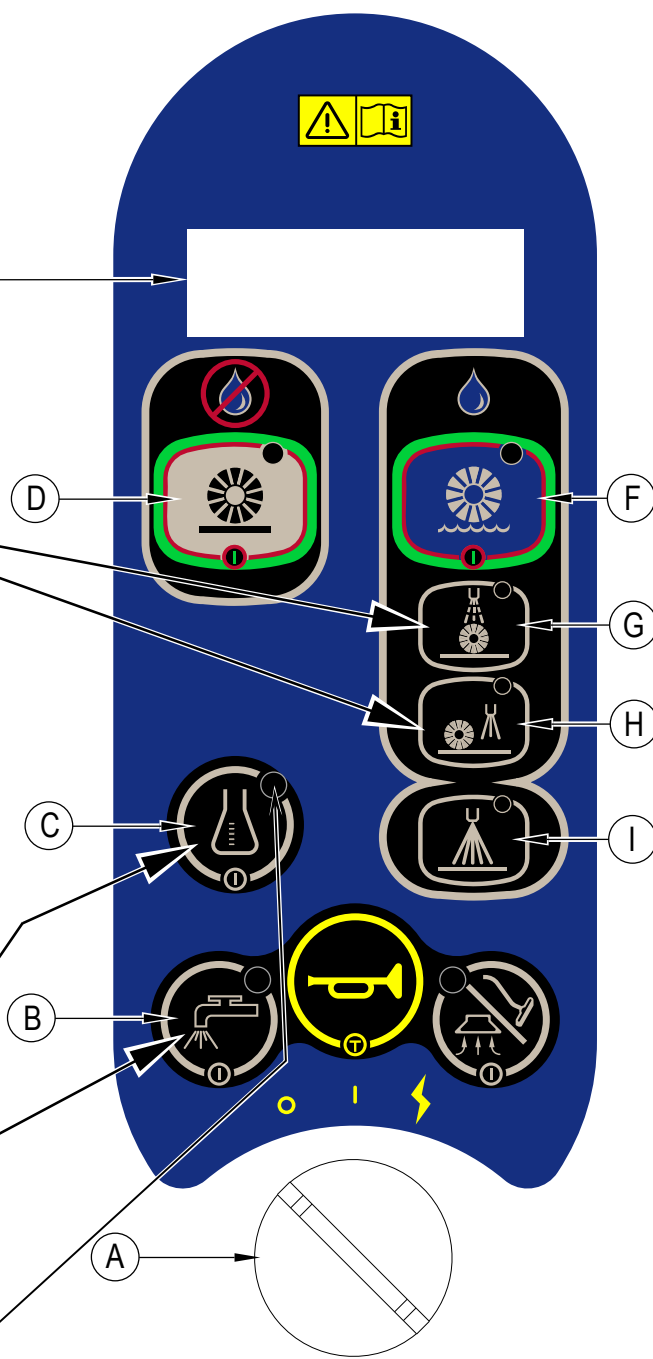
PRÉPARATION ET UTILISATION DU SYSTÈME DE DÉTERGENT (UTILISÉ UNIQUEMENT EN MODE EXTRACTION)



Appuyez et maintenez enfoncés (G) et (H) pendant plus de 2 secondes pour réinitialiser.



Appuyez et maintenez enfoncés (B) et (C) pendant plus de 2 secondes pour vidanger.



Le système de détergent est en marche quand le voyant est allumé.

FONCTIONNEMENT DE LA MACHINE – MODE BALAYAGE

AVERTISSEMENT !

Assurez-vous de bien comprendre les boutons de commande et leurs fonctions.

Évitez les arrêts soudains lorsque la machine en charge se trouve sur des rampes ou des pentes. Évitez les virages serrés. Adoptez une vitesse réduite lorsque la machine est en descente. Ne nettoyez que lorsque la machine monte la pente.

ATTENTION !

Un balayage avec un réservoir de solution vide peut réduire la durée de vie de la pompe de solution qui alimente le système d'humidification.

REMPLISSAGE DU RÉSERVOIR DE SOLUTION

Pendant le balayage, l'extracteur ES4000 utilise un système d'humidification qui pulvérise de l'eau en brouillard dans l'air d'aspiration afin d'humidifier la poussière pendant qu'elle est aspirée dans le réservoir de récupération. Il est important que le réservoir de solution contienne constamment de l'eau pendant le balayage afin que la poussière ne s'échappe pas du système. Remplissez le réservoir de solution avant un balayage dès que les batteries ont été rechargées. Dans des conditions normales, un réservoir de solution plein doit être suffisant pour alimenter le système d'humidification pendant un cycle de batterie complet.

Pour le balayage...

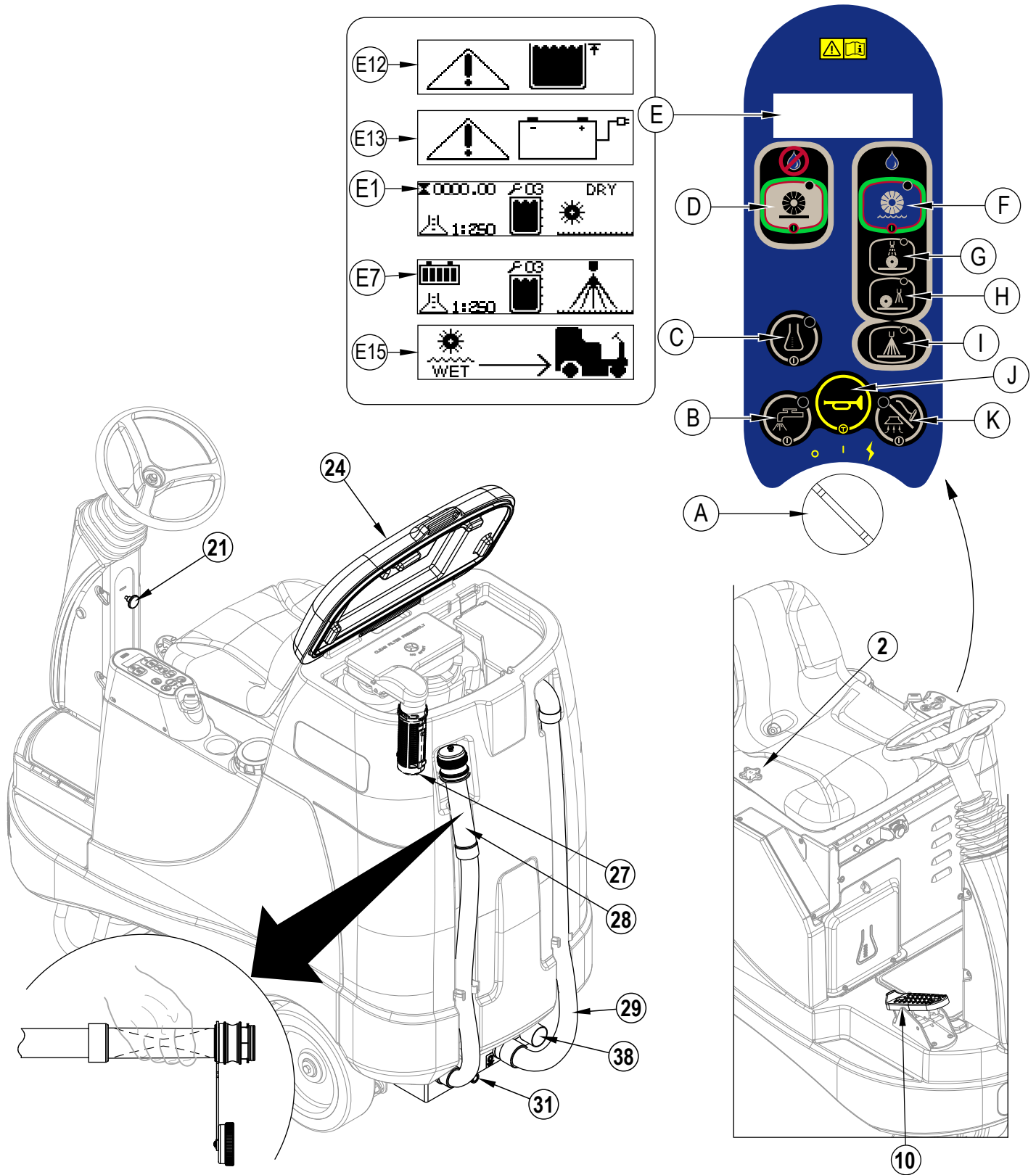
Conformez-vous aux instructions figurant dans la section « Préparation de la machine » du présent manuel. Avant un nettoyage en Mode Extraction, la zone entière doit être nettoyée en premier lieu en Mode Balayage.

- 1 **Voir Figure 3.** Lorsque vous êtes assis sur la machine, utilisez le bouton de réglage d'inclinaison du volant (21) pour positionner le volant afin de travailler dans une position confortable. Il est possible de régler le siège en le faisant basculer vers le haut au besoin à l'aide du bouton de réglage (2).
- 2 Placez l'interrupteur principal (A) sur Marche (I). Vous verrez alors les voyants du panneau de commande s'allumer ; consultez le voyant d'état de batterie (E7) et le compteur horaire (E1) avant de procéder.
- 3 Pour conduire la machine dans la zone de travail, appliquez une pression identique avec votre pied sur l'avant de la Pédale d'entraînement (10) pour avancer et sur l'arrière de la pédale pour reculer. Appuyez plus ou moins fort sur la pédale afin d'obtenir la vitesse souhaitée.
- 4 Si, lors de la dernière utilisation, la machine était en Mode Extraction, suivez les instructions « Pour passer en Mode Balayage... » situées à la fin de la section « Fonctionnement de la machine – Mode Extraction ». Si, lors de la dernière utilisation, la machine était en Mode Balayage, appuyez simplement sur l'Interrupteur de marche/arrêt du balayage (D) pour activer le système de balayage.
- 5 Dès que le système de balayage est activé, le plateau descend immédiatement sur le sol. Quand la pédale d'entraînement (10) est engagée en mode Avance ou Recul, la pompe de solution, les moteurs des brosses, les moteurs d'aspiration et la valve de la chambre d'humidification sont activés. **NOTE :** quand la pédale d'entraînement (10) est en position Neutre, la pompe de solution, les moteurs des brosses et la valve de la chambre d'humidification sont désactivés. Après dix secondes, si la pédale d'entraînement (10) n'est pas engagée, les moteurs d'aspiration s'arrêtent.
- 6 Faites progresser la machine en ligne droite à une vitesse de 4-5 km/h en veillant à ce que les passages se chevauchent sur une bande de 50-75 mm environ.
S'il y a peu ou pas de liquide qui entre dans le réservoir de récupération, le réservoir de solution est peut-être vide. Remplissez le réservoir de solution d'eau.
- 7 Le réservoir de récupération est équipé d'un système de fermeture à flotteur automatique (27) qui empêche la solution de pénétrer dans le système d'aspiration lorsque le réservoir est plein. Lorsque ce système de fermeture à flotteur est activé, le système de contrôle arrête automatiquement les systèmes de nettoyage, d'aspiration, de solution et de détergent. Le voyant du réservoir de récupération plein (E12) s'allume. Pour l'éteindre, actionnez l'interrupteur à clé (A). Lorsque le flotteur ferme le réservoir de récupération, ce dernier doit être vidé. Quand le flotteur est fermé, la machine **ne ramasse plus** d'eau. **NOTE :** si le panneau de contrôle indique un réservoir plein de manière répétitive, alors que ce dernier n'est pas plein, il est possible de désactiver ce système de fermeture automatique à flotteur. Pour ce faire, faites appel à un technicien qualifié qui consultera le manuel d'entretien.
- 8 Lorsque l'opérateur souhaite arrêter de nettoyer ou lorsque le réservoir de récupération est plein, il doit appuyer sur l'interrupteur de marche/arrêt du balayage (D). La pompe de solution et la valve de la chambre d'humidification s'arrêtent immédiatement. Le plateau remonte à sa limite supérieure et les moteurs des brosses s'arrêtent. Dès que le plateau est soulevé, les moteurs d'aspiration s'arrêtent après un délai de 10 secondes.
- 9 Conduisez la machine vers un « SITE DE DÉCHARGE » des eaux usées et videz le réservoir de récupération. Pour le vider, tirez le tuyau de vidange (28) de son dispositif de rangement, puis retirez le bouchon (maintenez l'extrémité au-dessus du niveau d'eau du réservoir afin d'éviter tout déversement accidentel d'eaux usées). Remplissez à nouveau le réservoir de solution et poursuivez le nettoyage.

Pour passer en Mode Extraction...

- 1 **Voir Figure 3.** Appuyez sur l'interrupteur de marche/arrêt du balayage (D) pour arrêter le Mode Balayage.
- 2 Appuyez sur l'interrupteur de marche/arrêt de l'extraction (F) pour activer le Mode Extraction.
- 3 L'écran LCD (E) affiche l'écran (E15) et l'avertisseur sonore s'active pour indiquer que le tuyau de récupération (29) doit être fixé à la connexion de ramassage des matières humides (38).
- 4 Après avoir relié le tuyau de récupération (29) à la connexion de ramassage des matières humides (38), appuyez sur l'interrupteur de marche/arrêt de l'extraction (F) pour accuser réception du changement de tuyau. Appuyez à nouveau sur l'interrupteur de marche/arrêt de l'extraction (F) pour activer le Mode Extraction.
- 5 Consultez la section FONCTIONNEMENT DE LA MACHINE – MODE EXTRACTION pour obtenir des instructions d'utilisation supplémentaires.

FIGURE 3



FONCTIONNEMENT DE LA MACHINE – MODE EXTRACTION

AVERTISSEMENT !

Assurez-vous de bien comprendre les boutons de commande et leurs fonctions.

Évitez les arrêts soudains lorsque la machine en charge se trouve sur des rampes ou des pentes. Évitez les virages serrés. Adoptez une vitesse réduite lorsque la machine est en descente. Ne nettoyez que lorsque la machine monte la pente.

Pour l'extraction...

Conformez-vous aux instructions figurant dans la section « Préparation de la machine » du présent manuel. Avant un nettoyage en Mode Extraction, la zone entière doit être nettoyée en premier lieu en Mode Balayage.

- 1 **Voir Figure 4.** Lorsque vous êtes assis sur la machine, utilisez le bouton de réglage d'inclinaison du volant (21) pour positionner le volant afin de travailler dans une position confortable. Il est possible de régler le siège en le faisant basculer vers le haut au besoin à l'aide du bouton de réglage (2).
- 2 Placez l'interrupteur principal (A) sur Marche (I). Vous verrez alors les voyants du panneau de commande s'allumer ; consultez le voyant d'état de batterie (E7) et le compteur horaire (E1) avant de procéder.
- 3 Pour conduire la machine dans la zone de travail, appliquez une pression identique avec votre pied sur l'avant de la Pédale d'entraînement (10) pour avancer et sur l'arrière de la pédale pour reculer. Appuyez plus ou moins fort sur la pédale afin d'obtenir la vitesse souhaitée.
- 4 Si, lors de la dernière utilisation, la machine était en Mode Balayage, suivez les instructions « Pour passer en Mode Extraction... » situées à la fin de la section « Fonctionnement de la machine – Mode Balayage ». Si la machine était utilisée en Mode Extraction, appuyez simplement sur l'interrupteur de marche/arrêt de l'extraction (F), l'interrupteur du Mode Entretien (G), l'interrupteur du Mode Restauration (H) ou l'interrupteur du Mode Prévaporisation (I) pour activer le système d'extraction. **NOTE** : le Mode Entretien (G) est le réglage par défaut lors du démarrage initial. Le système de détergent est arrêté par défaut. Il peut être activé ou désactivé à tout instant en appuyant sur l'interrupteur de marche/arrêt du détergent (C).
- 5 Lorsque l'un des interrupteurs du Mode Entretien (G) ou du Mode Restauration (H) est sélectionné, le plateau de brosses et les patins d'aspiration sont automatiquement abaissés sur le sol. Quand la pédale d'entraînement (10) est engagée en position Avance, la pompe de solution, les moteurs des brosses, les moteurs d'aspiration et la valve d'entretien ou la valve de restauration sont activés. **NOTE** : quand la pédale d'entraînement (10) est en position Neutre ou Recul, la pompe de solution, les moteurs des brosses et la valve d'entretien ou la valve de restauration sont désactivés. Si la pédale d'entraînement (10) n'est pas engagée en position Avance après 10 secondes, les moteurs d'aspiration s'arrêtent.
Si l'interrupteur du Mode Prévaporisation (I) est sélectionné, le plateau de brosses descend automatiquement sur le sol. Quand la pédale d'entraînement (10) est en position Avance, la pompe de solution, les moteurs des brosses et la valve de restauration sont activés. La pompe de détergent est activée à un pourcentage spécifique. **NOTE** : quand la pédale d'entraînement (10) est en position Neutre ou Recul, la pompe de solution, les moteurs des brosses, la pompe de détergent et la valve de restauration sont désactivés.
- 6 Faites progresser la machine en ligne droite à une vitesse de 4-5 km/h en veillant à ce que les passages se chevauchent sur une bande de 50-75 mm environ. Placez l'interrupteur de la solution (B) sur Arrêt avant les virages afin de garantir l'extraction complète de la solution contenue dans le tapis. Réglez la vitesse de la machine en fonction de l'état du tapis que vous traitez.
S'il y a peu ou pas de liquide qui entre dans le réservoir de récupération, le réservoir de solution est peut-être vide. Remplissez le réservoir de solution d'eau.
- 7 Le réservoir de récupération est équipé d'un système de fermeture à flotteur automatique (27) qui empêche la solution de pénétrer dans le système d'aspiration lorsque le réservoir est plein. Lorsque ce système de fermeture à flotteur est activé, le système de contrôle arrête automatiquement les systèmes de nettoyage, d'aspiration, de solution et de détergent. Le voyant du réservoir de récupération plein (E12) s'allume. Pour l'éteindre, actionnez l'interrupteur à clé (A). Lorsque le flotteur ferme le réservoir de récupération, ce dernier doit être vidé. Quand le flotteur est fermé, la machine **ne ramasse plus** d'eau. **NOTE** : si le panneau de contrôle indique un réservoir plein de manière répétitive, alors que ce dernier n'est pas plein, il est possible de désactiver ce système de fermeture automatique à flotteur. Pour ce faire, faites appel à un technicien qualifié qui consultera le manuel d'entretien.
- 8 Lorsque l'opérateur souhaite arrêter de nettoyer ou lorsque le réservoir de récupération est plein, il doit appuyer sur l'interrupteur de marche/arrêt de l'extraction (F). La pompe de solution, la pompe de détergent et les trois électrovannes de solution s'arrêtent immédiatement. Le plateau remonte à sa limite supérieure et les moteurs des brosses s'arrêtent. Après un délai de 3 secondes, les patins d'aspiration remontent. Dès que le plateau est soulevé, les moteurs d'aspiration s'arrêtent après un délai de 10 secondes.
- 9 Conduisez la machine vers un « SITE DE DÉCHARGE » des eaux usées et videz le réservoir de récupération. Pour le vider, tirez le tuyau de vidange (28) de son dispositif de rangement, puis retirez le bouchon (maintenez l'extrémité au-dessus du niveau d'eau du réservoir afin d'éviter tout déversement accidentel d'eaux usées). Remplissez à nouveau le réservoir de solution et poursuivez le nettoyage.

NOTE : assurez-vous que le couvercle du réservoir de récupération (24) et le bouchon du tuyau de vidange du réservoir de récupération (28) sont bien en place, ou la machine ne ramassera pas l'eau correctement.

Quand les batteries doivent être rechargées, le voyant de coupure à basse tension (E13) s'allume. Les brosses, les pompes et les électrovannes s'arrêtent et le plateau remonte.

Transportez la machine vers une zone de maintenance et rechargez les batteries conformément aux instructions figurant dans la section Batterie de ce manuel.

Pour passer en Mode Balayage...

- 1 **Voir Figure 4.** Appuyez sur l'interrupteur de marche/arrêt de l'extraction (F) pour arrêter le Mode Extraction.
- 2 Appuyez sur l'interrupteur de marche/arrêt du balayage (D) pour activer le Mode Balayage.
- 3 L'écran LCD (E) affiche l'écran (E14) et l'avertisseur sonore s'active pour indiquer que le tuyau de récupération (29) doit être fixé à la connexion de ramassage des matières sèches (30).
- 4 Après avoir relié le tuyau de récupération (29) à la connexion de ramassage des matières sèches (30), appuyez sur l'interrupteur de marche/arrêt du balayage (D) pour accuser réception du changement de tuyau. Appuyez à nouveau sur l'interrupteur de marche/arrêt du balayage (D) pour activer le Mode Balayage.
- 5 Consultez la section FONCTIONNEMENT DE LA MACHINE – MODE BALAYAGE pour obtenir des instructions d'utilisation supplémentaires.

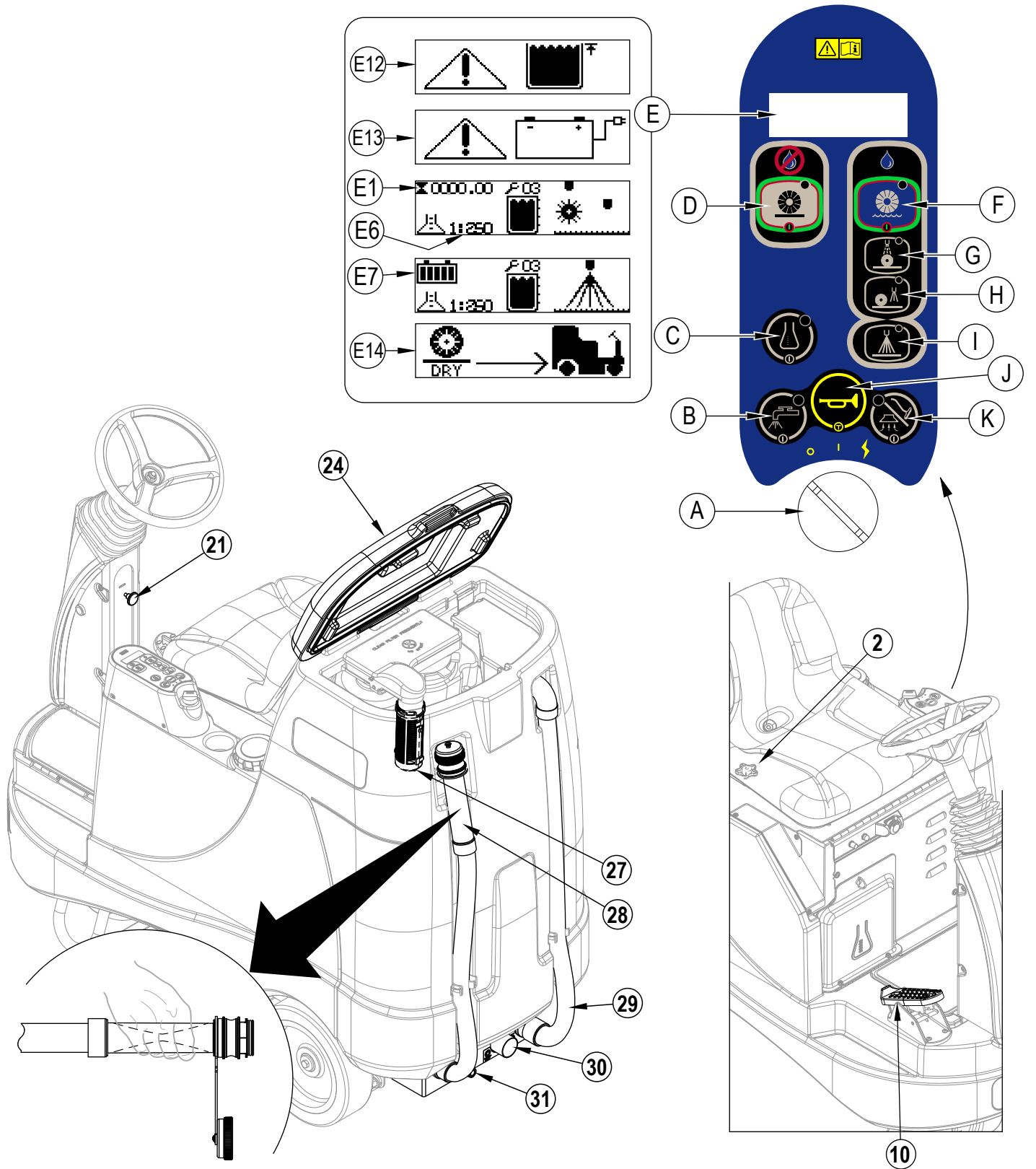
UTILISATION DES ACCESSOIRES

Procédure à suivre afin d'installer sur la machine les accessoires en option pour un nettoyage particulier ou du mobilier.

- 1 Débranchez le tuyau de récupération à l'arrière de la machine. Connectez, au tuyau de récupération, le raccord et le tuyau des accessoires de ramassage adaptés.
- 2 Connectez le tuyau de la solution à l'emplacement pour accessoire situé sur le châssis, à l'arrière de la machine. (Advance propose un Kit de rallonges d'aspiration en option).
- 3 Activez l'interrupteur à clé principal (A) pendant que le siège du conducteur de la machine n'est pas occupé. Ensuite, appuyez sur l'interrupteur de marche/arrêt de l'aspiration (K). Le moteur d'aspiration continuera de tourner jusqu'à ce que l'opérateur appuie une nouvelle fois sur l'interrupteur pour l'éteindre. **NOTE** : si le panneau de contrôle indique un réservoir plein alors que ce dernier n'est pas plein, il est possible de désactiver ce système de fermeture automatique à flotteur. Pour ce faire, faites appel à un technicien qualifié.

NOTE POUR L'ENTRETIEN : consultez le manuel d'entretien pour de plus amples informations de fonctionnement de toutes les commandes et programmes en option.

FIGURE 4



APRÈS L'UTILISATION

- 1 Lorsque vous avez terminé le nettoyage, appuyez sur l'interrupteur de marche/arrêt de l'extraction (F) ou l'interrupteur de marche/arrêt du balayage (D). De cette manière, tous les systèmes de la machine (brosse, aspiration et solution) seront automatiquement levés, rétractés ou arrêtés. Conduisez ensuite la machine dans une zone de service où un technicien procédera à son entretien quotidien et effectuera les éventuelles réparations.
- 2 Pour vider le réservoir de solution, retirez le tuyau de vidange de solution (16) de son dispositif de rangement. Dirigez le tuyau de vidange vers un « SITE DE DÉCHARGE » des eaux usées et enlevez le bouchon. Rincez le réservoir à l'eau claire.
- 3 Pour vider le réservoir de récupération, tirez le tuyau de vidange (28) de son dispositif de rangement. Dirigez le tuyau de vidange vers un « SITE DE DÉCHARGE » des eaux usées et enlevez le bouchon (maintenez l'extrémité au-dessus du niveau d'eau du réservoir afin d'éviter tout déversement accidentel d'eaux usées). Rincez le réservoir de récupération à l'eau claire.
- 4 Retirez les brosses, rincez à l'eau chaude et enlevez tous les fils, cheveux ou fibres de tapis accumulés.
- 5 Déconnectez le tuyau de récupération du réservoir de récupération et rincez-le à l'eau chaude pour évacuer tous les débris qui pourraient se trouver dans le tuyau ou au niveau du dispositif des patins d'aspiration.
- 6 Enlevez la trémie à débris et nettoyez-la correctement. Enlevez la trémie de n'importe quel côté de la machine en la soulevant, en la faisant basculer vers l'avant, puis en la tirant.
- 7 Consultez le programme d'entretien ci-dessous et, si nécessaire, effectuez les vérifications nécessaires avant de ranger la machine.

PROGRAMME D'ENTRETIEN

ÉLÉMENT	Tous les jours	Chaque semaine	Tous les mois	Tous les ans
Chargement des batteries	X			
Vérification / nettoyage des réservoirs et tuyaux	X			
Vérification / nettoyage des brosses mécaniques	X			
Vérification / nettoyage des patins d'aspiration	X			
Vérification / nettoyage du flotteur d'arrêt d'aspiration	X			
Vérification / nettoyage du ou des filtres en mousse du moteur d'aspiration	X			
Vidage de la trémie à débris	X			
Nettoyage des gicleurs		X		
Vérification du niveau d'eau dans chaque cellule de batterie		X		
Vérification des bavettes du plateau de brosses		X		
Inspection et lavage du filtre de solution		X		
Vérification du réglage et de l'usure du frein au pied / de stationnement		X		
Vidage du système d'injection de détergent		X		
Lubrification - Raccords de graissage			X	
*Vérification des balais de carbone				X

* Demandez à un technicien Advance de vérifier les balais de carbone du moteur d'aspiration une fois par an ou toutes les 300 heures de fonctionnement. Les balais de carbone des moteurs des brosses et d'entraînement doivent être vérifiés chaque année ou toutes les 350 heures de fonctionnement.

NOTE : pour de plus amples informations sur l'entretien et les pièces de rechange, reportez-vous au Manuel d'entretien.

- 8 Rangez la machine dans une zone de stockage intérieure ou dans un endroit sec et propre. Gardez-la à l'abri du gel. Laissez les réservoirs ouverts pour les aérer.
- 9 Positionnez l'interrupteur à clé principal (A) en position d'arrêt (O) et enlevez la clé.

ENTRETIEN DES PATINS D'ASPIRATION

Vérifiez les patins d'aspiration quotidiennement. Pour les nettoyer, il est possible de les enlever de la machine. Pour plus d'informations à ce sujet, consultez la section « Démontage des patins d'aspiration ». Enlevez tous les fils, cheveux et fibres de tapis accumulés.

MAINTENANCE DU GICLEUR

Enlevez les gicleurs une fois par semaine. Laissez-les tremper une nuit dans une solution d'eau et de vinaigre afin d'éliminer les dépôts chimiques.

LUBRIFICATION DE LA MACHINE

Une fois par mois, mettez un peu de graisse sur chaque raccord de graissage de la machine jusqu'à ce que la graisse coule autour des roulements.

Les emplacements à graisser sont les suivants :

- Joint universel de l'arbre de direction

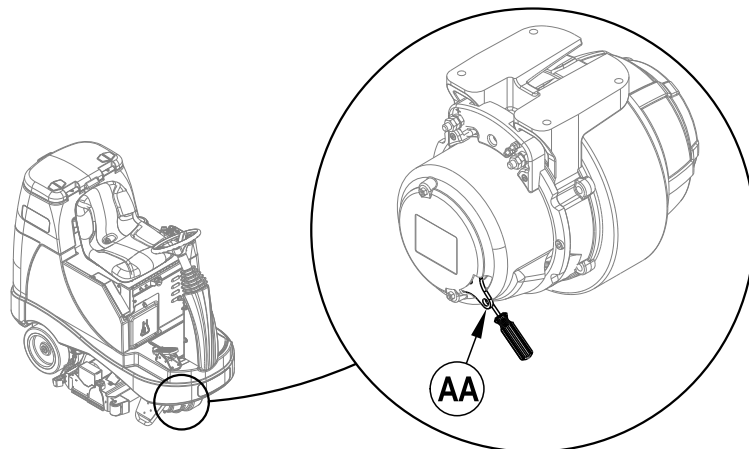
Une fois par mois, appliquez un peu de graisse sur :

- Chaîne de direction
- Tous les points de pivot des câbles du plateau de brosses

FREIN ÉLECTROMAGNÉTIQUE

Voir la Figure 5. La roue motrice (9) est dotée d'un frein électromagnétique intégré qui est activé dès que l'interrupteur principal (A) est en position d'arrêt ou que la pédale d'entraînement (10) est en position Neutre. Au besoin, vous pouvez contrôler ce frein manuellement en insérant un tournevis moyen ou large derrière le poussoir (AA) comme illustré. Vous devez procéder ainsi uniquement si vous avez besoin de pousser ou tirer l'appareil.

FIGURE 5



NETTOYAGE DES FILTRES DU MOTEUR D'ASPIRATION

Nettoyez les filtres du moteur d'aspiration chaque jour, à l'air comprimé. Pour les filtres extrêmement sales, utilisez de l'eau chaude et savonneuse et rincez-les convenablement à l'eau claire. Laissez les filtres sécher complètement avant de les replacer dans la machine. **REMARQUE RELATIVE A L'ENTRETIEN :** ayez à disposition un deuxième jeu de filtres afin de pourvoir l'utiliser pendant que les filtres sèchent.

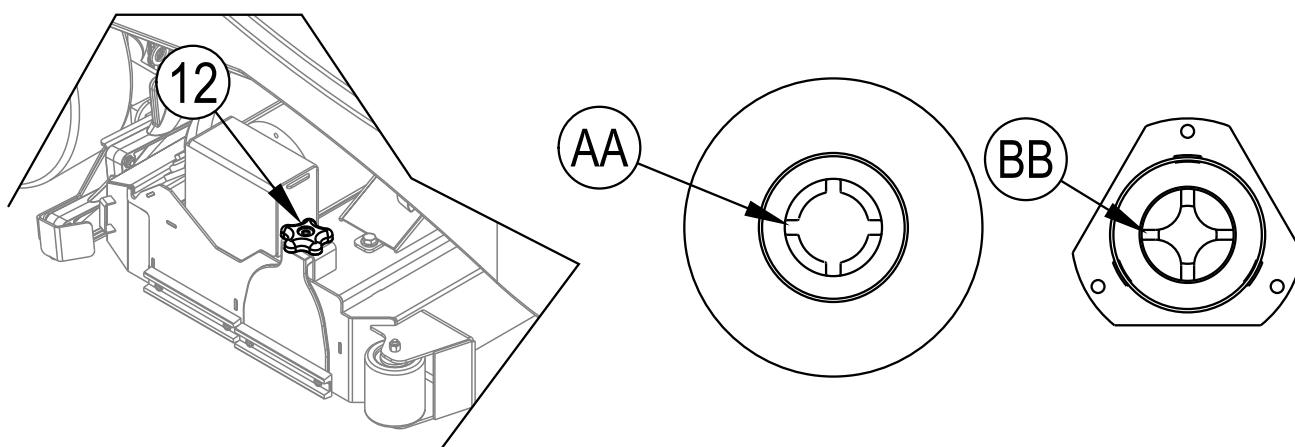
MAINTENANCE DE LA BROSSE MÉCANIQUE

Vérifiez les brosses chaque jour. Enlevez tous les fils, cheveux et fibres de tapis accumulés. Vérifiez la longueur des poils. Lorsque les poils des brosses sont usés et font 12,7 mm de long, faites remplacer les brosses par un technicien qualifié.

DÉMONTAGE DE LA BROSSE AVANT

- 1 Voir Figure 6. Placez l'interrupteur principal (A) en position d'arrêt.
- 2 Desserrez le bouton de démontage du bras tendeur de la brosse (12) situé au sommet du tendeur, et retirez ce dernier. Faites glisser la brosse hors du compartiment du plateau de brosses.
- 3 Pour repositionner la brosse, faites-la glisser dans le compartiment, soulevez-la légèrement et poussez en tournant jusqu'à ce qu'elle soit en position.
NOTE : assurez-vous que les fentes (AA) situées à l'extrémité de la brosse soient bien alignées et positionnées sur les pattes (BB) sur l'extrémité d'entraînement. Repositionnez le bras tendeur et serrez le bouton (12).

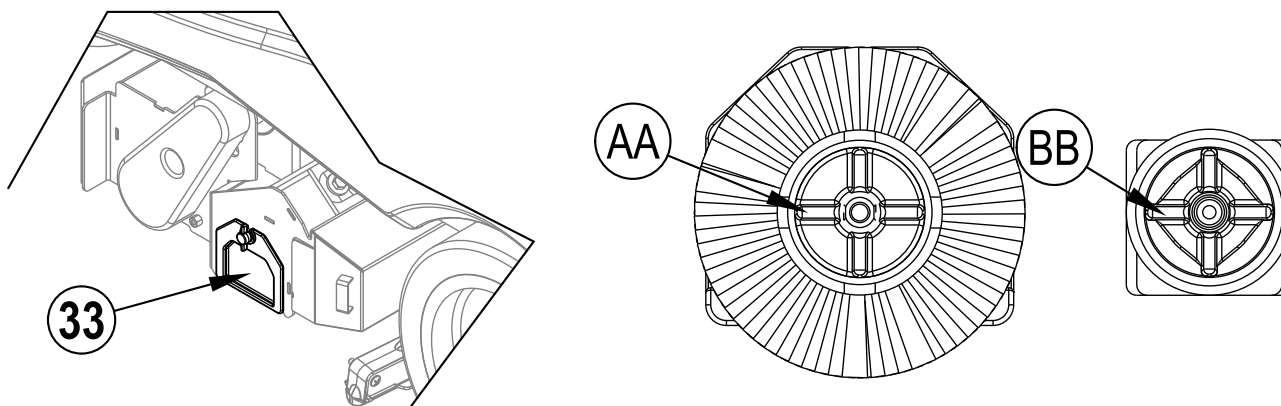
FIGURE 6



DÉMONTAGE DE LA BROSSE ARRIÈRE

- 1 Voir Figure 7. Placez l'interrupteur principal (A) en position d'arrêt.
- 2 Desserrez le bouton T maintenant le panneau d'accès de la brosse arrière (33) et faites glisser le panneau (33). Faites glisser la brosse hors du compartiment du plateau de brosses.
- 3 Pour repositionner la brosse, faites-la glisser dans le compartiment, soulevez-la légèrement et poussez en tournant jusqu'à ce qu'elle soit en position.
NOTE : assurez-vous que les fentes (AA) situées à l'extrémité de la brosse soient bien alignées et positionnées sur les pattes (BB) sur l'extrémité d'entraînement. Repositionnez le bras tendeur et serrez le bouton (12).

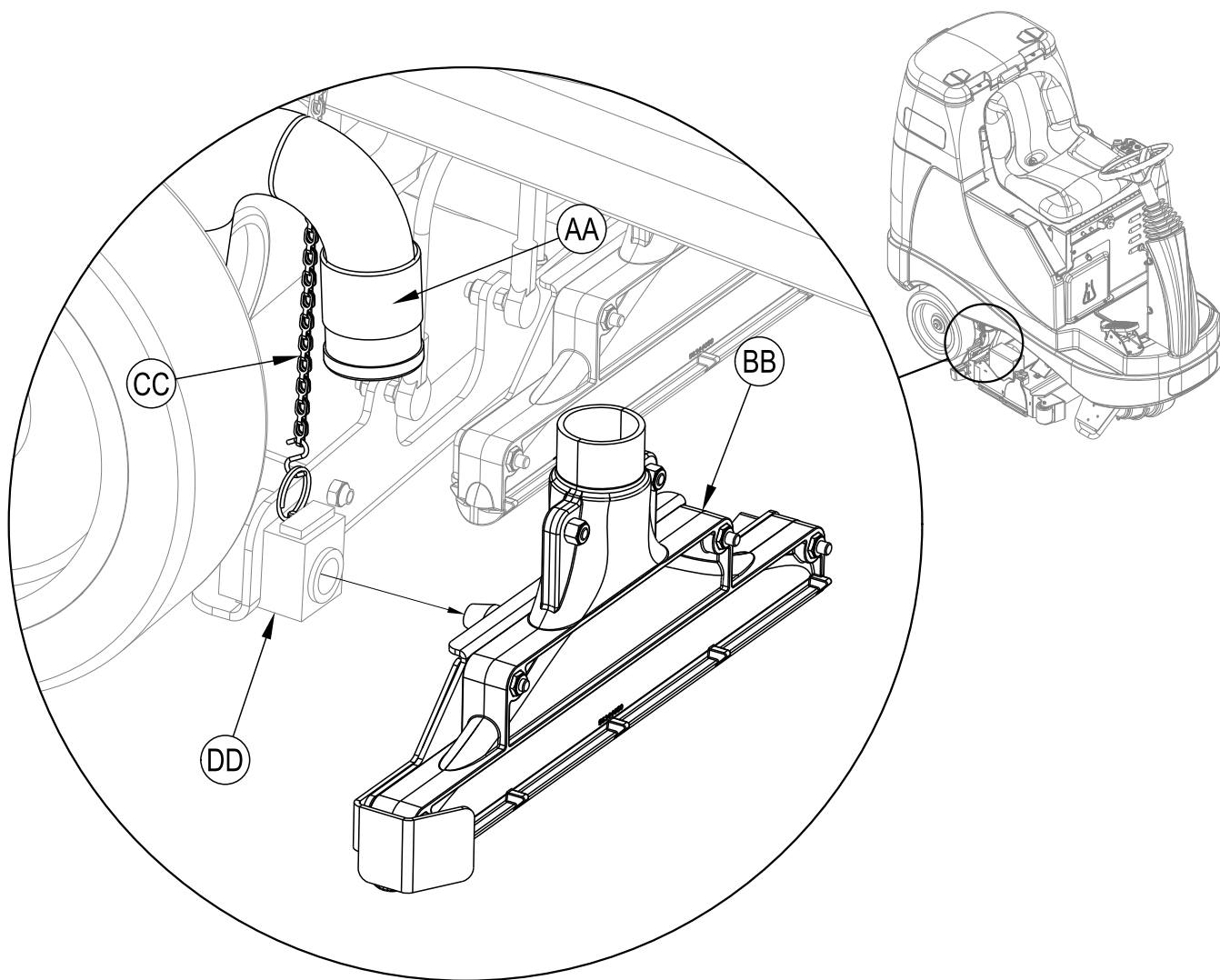
FIGURE 7



DÉMONTAGE DES PATINS D'ASPIRATION

- 1 Voir Figure 8. Placez l'interrupteur principal (A) en position d'arrêt.
- 2 Débranchez le tuyau d'aspiration (AA) du patin d'aspiration (BB) et tirez sur la chaîne en or (CC). Faites glisser le patin d'aspiration (BB) hors de son support soudé (DD). **NOTE** : cette procédure est identique pour les deux patins d'aspiration. Cependant, le patin droit doit être démonté avant le patin gauche.
- 3 Pour remonter les patins, répétez la procédure dans l'ordre inverse.

FIGURE 8



CHARGEMENT DES BATTERIES HUMIDES

Chargez les batteries à chaque utilisation de la machine ou lorsque le voyant de la batterie (E7) indique qu'elles ne sont pas complètement chargées.



AVERTISSEMENT !

Ne remplissez pas les batteries avant de les charger.

Chargez les batteries dans une zone bien aérée.

Ne fumez pas lorsque vous procédez à l'entretien des batteries.

Lors de l'entretien des batteries...

- * Retirez tous vos bijoux.
- * Ne fumez pas.
- * Portez des lunettes de protection, ainsi qu'un tablier et des gants en caoutchouc.
- * Travaillez dans une zone bien aérée.
- * Veillez à ce que les outils ne touchent pas plusieurs bornes de batterie en même temps.
- * Débranchez TOUJOURS le câble de polarité négative lors du remplacement des batteries afin d'éviter des étincelles.
- * Débranchez TOUJOURS le câble négatif en dernier lors de l'installation des batteries.

Si votre machine est livrée avec un chargeur de batterie intégré, procédez comme suit :

Mettez l'interrupteur principal (A) en position d'arrêt. Ouvrez le compartiment de batteries (19) et la porte d'accès au chargeur de batteries (8) pour une ventilation appropriée. Déroulez le cordon d'alimentation sur le côté du chargeur intégré et branchez-le sur une prise correctement reliée à la terre. Consultez le manuel du fabricant pour plus d'instructions sur l'utilisation.

Si votre machine est livrée sans un chargeur de batterie intégré, procédez comme suit :

Ouvrez le compartiment de batteries (19) et réglez la tige de support du siège (32). Débranchez les batteries de la machine et enfoncez le connecteur du chargeur dans le connecteur du module de batterie (34). Suivez les instructions figurant sur le chargeur de batteries. **NOTE POUR L'ENTRETIEN** : assurez-vous de brancher le chargeur de batteries dans le connecteur qui se fixe aux batteries.



ATTENTION !

Pour éviter d'endommager les surfaces du sol, essayez l'eau et l'acide de la partie supérieure des batteries après le chargement.

VÉRIFICATION DU NIVEAU D'EAU DE LA BATTERIE

Vérifiez le niveau d'eau des batteries au moins une fois par semaine.

Après le chargement des batteries, enlevez les clapets d'aération et vérifiez le niveau d'eau dans chaque cellule de batterie. Utilisez un distributeur rempli d'eau distillée ou déminéralisée (disponible dans la plupart des magasins de pièces automobiles) pour remplir chaque cellule jusqu'au niveau (ou 10 mm au-dessus de la partie supérieure des séparateurs). NE remplissez PAS trop les batteries !



ATTENTION !

De l'acide peut être projeté sur le sol si les batteries sont trop remplies.

Serrez les clapets d'aération. Si les batteries sont maculées d'acide, lavez le dessus des batteries avec une solution de bicarbonate de soude et d'eau (2 cuillères à soupe de bicarbonate de soude pour 1 l d'eau).

CHARGEMENT DES BATTERIES SÈCHES (VRLA)

Chargez les batteries à chaque utilisation de la machine ou lorsque le voyant de la batterie (E7) indique qu'elles ne sont pas complètement chargées.



AVERTISSEMENT !

Chargez les batteries dans une zone bien aérée.

Ne fumez pas lorsque vous procédez à l'entretien des batteries.

Lors de l'entretien des batteries...

- * Retirez tous vos bijoux.
- * Ne fumez pas.
- * Portez des lunettes de protection, ainsi qu'un tablier et des gants en caoutchouc.
- * Travaillez dans une zone bien aérée.
- * Veillez à ce que les outils ne touchent pas plusieurs bornes de batterie en même temps.
- * Débranchez TOUJOURS le câble de polarité négative lors du remplacement des batteries afin d'éviter des étincelles.
- * Débranchez TOUJOURS le câble négatif en dernier lors de l'installation des batteries.



ATTENTION !

La batterie au plomb à régulation par soupape (VRLA) vous offrira des performances et une durée de vie supérieures **UNIQUEMENT SI VOUS LA RECHARGEZ CORRECTEMENT** ! Un chargement insuffisant ou excessif réduira la durée de vie de votre batterie et limitera ses performances.

Assurez-vous de SUIVRE ATTENTIVEMENT LES INSTRUCTIONS DE CHARGEMENT ! N'ESSAYEZ PAS D'OUVRIER LA BATTERIE ! Si vous ouvrez une batterie VRLA, celle-ci perd sa pression et les plaques sont contaminées par l'oxygène. LA GARANTIE N'EST PLUS VALABLE SI LA BATTERIE EST OUVERTE.

Si votre machine est livrée avec un chargeur de batterie intégré, procédez comme suit :

Mettez l'interrupteur principal (A) en position d'arrêt. Ouvrez le compartiment de batteries (19) et la porte d'accès au chargeur de batteries (8) pour une ventilation appropriée. Déroulez le cordon d'alimentation sur le côté du chargeur intégré et branchez-le sur une prise correctement reliée à la terre. Consultez le manuel du fabricant pour plus d'instructions sur l'utilisation.

Si votre machine est livrée sans un chargeur de batterie intégré, procédez comme suit :

Ouvrez le compartiment de batteries (19) et réglez la tige de support du siège (32). Débranchez les batteries de la machine et enfoncez le connecteur du chargeur dans le connecteur du module de batterie (34). Suivez les instructions figurant sur le chargeur de batteries. **NOTE POUR L'ENTRETIEN** : assurez-vous de brancher le chargeur de batteries dans le connecteur qui se fixe aux batteries.

IMPORTANT : assurez-vous d'utiliser un chargeur approprié pour les batteries à cellule sèche. Utilisez uniquement des chargeurs « à tension régulée » ou « à tension limitée ». N'utilisez JAMAIS de chargeurs standards à courant continu ou à courant alternatif. Il est recommandé d'utiliser un chargeur à détection de température, car les réglages manuels manquent de précision et risquent d'endommager les batteries VRLA.

DÉPANNAGE GÉNÉRAL DE LA MACHINE

Problème	Raison possible	Solution
Mauvaise récupération de l'eau	Réservoir de récupération plein	Vider le réservoir de récupération
	Fuite au niveau du tuyau de vidange du réservoir de récupération	Vérifier la position du bouchon du tuyau de vidange ou le remplacer
	Fuite au niveau des joints du couvercle du réservoir de récupération	Remplacer les joints / Repositionner le couvercle correctement.
	Débris coincés dans les patins d'aspiration	Nettoyer les patins d'aspiration
	Tuyau d'aspiration encrassé	Enlever les débris
Faible niveau de performances pour l'extraction	Couvercle du filtre en mousse mal positionné	Repositionner le couvercle correctement.
	Brosses usées	Faire tourner ou remplacer les brosses
	Agent chimique inadapté	Consultez Advance
	Déplacement de la machine trop rapide	Ralentir
Débit de solution inapproprié ou aucune solution	Réservoir de solution vide	Remplir le réservoir de solution
	Conduits, valves, filtre ou gicleurs de solution encrassés	Rincer les conduites et nettoyer le filtre et les gicleurs de solution
	La vanne de contrôle de la solution est en position fermée	La placer en position ouverte
	Électrovannes de la solution	Nettoyer ou remplacer les vannes
La machine ne démarre pas	Bouton d'arrêt d'urgence enclenché	Rebrancher les connecteurs de batterie
	Commutateur de sécurité du siège de l'opérateur	Vérifier les circuits éventuellement ouverts et les remplacer
	Contrôleur principal du système	Vérifier les codes d'erreurs (voir manuel d'entretien)
	Disjoncteur de 10 A déclenché	Vérifier s'il n'y a pas de court-circuit et réinitialiser
Pas d'entraînement avance / recul des roues	Contrôleur de vitesse du système d'entraînement	Vérifier les codes d'erreurs (voir manuel d'entretien)
	Disjoncteur de 70 A déclenché	Vérifier une éventuelle surcharge du moteur
	Bouton d'arrêt d'urgence enclenché	Rebrancher les connecteurs de batterie
L'aspiration s'arrête et l'écran affiche le voyant du réservoir de récupération plein (E12) quand le réservoir n'est pas plein	Tuyau(x) d'aspiration connecté(s)	Enlever les débris
	Aspiration de grandes quantités d'eau à une vitesse de déplacement élevée	Ralentir ou désactiver la fonction de fermeture automatique (voir Manuel d'entretien)
Mauvaises performances du balayage	Trémie à débris pleine	Vider et nettoyer la trémie
	Brosses usées	Remplacer les brosses
	Poils de brosses endommagés	Retourner les brosses
Aucun écoulement de détergent	Cartouche de détergent vide	Remplir la cartouche de détergent.
	Conduite d'écoulement du détergent tordue ou obstruée	Vidanger le système et redresser les conduites afin qu'elles ne soient plus tordues
	Bouchon de fermeture hermétique sur la cartouche de détergent mal fermé	Bien refermer le bouchon de fermeture hermétique
	Le câble de la pompe de détergent est débranché ou dirigé vers l'arrière	Brancher ou rebrancher le câble

SPÉCIFICATIONS TECHNIQUES (UNITÉ TELLE QU'INSTALLÉE ET TESTÉE)

Modèle		ES4000
N° de modèle		56344200 / 56344210
Tension, batteries	V	24V
Capacité de la batterie	Ah	238 Ah
Niveau de protection		IPX3
Niveau de pression acoustique (ISO 11201)	dB(A)	65dB LpA, 3dB KpA
Poids brut	livres/kg	1447 lbs / 656 kg
Charge de roue maximum au sol (avant centre)	psi / N/mm ²	178.64 / 1.232
Charge de roue maximum au sol (arrière droit)	psi / N/mm ²	150.81 / 1.040
Charge de roue maximum au sol (arrière gauche)	psi / N/mm ²	130.61 / 0.901
Vibrations au niveau des commandes manuelles (ISO 5349-1)	m/s ²	.22m/s ² (.044 m/s ² uncertainty)
Vibrations au niveau du siège (EN 1032)	m/s ²	.02m/s ² (.004 m/s ² uncertainty)
Tenue de route en côte		
Transport		16% (9°)
Nettoyage		9% (5°)



Advance

14600 21st Avenue North
Plymouth, MN 55447-3408

www.advance-us.com

Phone: 800-989-2235

Fax: 800-989-6566

©2011 Nilfisk-Advance, Inc.

A Nilfisk-Advance Brand